

28 TAPE PRINTER SET (STOCK TICKER)

INSTALLATION AND ADJUSTMENTS

CONTENTS	PAGE
1. GENERAL	1
INSTALLATION	1
UNPACKING	1
TAPE PRINTER SETS USING PAPER TAPE	1
A. Signal Line	1
B. Tape	1
TAPE PRINTER SETS FOR PROJECTION	2
A. Tape Puller	2
B. Electrical Service Assembly	2
C. Interconnection	2
D. Signal Line	3
E. Tape	4
F. Ribbon	4
CIRCUIT CARD	4
GENERAL CHECKOVER	4
COVER	4
POWER	4
3. ADJUSTMENTS	5
Print Hammer Post	5
Cover Plate	5
Tape Retainer	6
Tape Guide Wire	6

1. GENERAL

1.01 There are two types of tape printer sets for stock ticker service. The set which produces a printed paper tape for direct reading, and the set which produces printing on transparent tape for projection. The direct-reading paper-tape set is packed in three cartons. One small package contains the circuit card; a second package contains the cover; the third package contains the tape printer completely assembled with motor, base and sub-base. The pedestal is packed in its individual

carton. The projector set is packed in five cartons. One carton contains the circuit card; one contains a cover; one contains the tape printer completely assembled with motor, base, sub-base and the motor control assembly mounted on the subbase and wired to a terminal block at rear of unit. The tape puller and the electrical service assembly are each packed in individual cartons. Certain adjustments must be made or checked after the set is installed. For illustrations of parts, the numbers of which are listed herein, refer to appropriate parts literature.

2. INSTALLATION

UNPACKING

2.01 Cut the cartons along the sealed edges carefully to avoid damaging the equipment. Remove the units from each carton. Place the tape printer on the table, pedestal or projector base, whichever is to be used, and secure it in position.

TAPE PRINTER SETS USING PAPER TAPE

A. Signal Line

2.02 Connect the incoming signal line (R & Y) to Terminal 1 and 4 on the terminal board of the hinged plate at the rear of the base as shown in Figure 1 and 7126 WD. Secure the signal line to the base with a TP121243 Cable Clamp, TP151658 Screw, TP2191 Lockwasher, and TP7002 Washer. Remove the shunt by loosening the strap mounting screw on the terminal block and rotating the shunt out of connection with its screw.

B. Tape

2.03 Unsnap the tape roll retainer from its catch. Place a roll of paper tape over the spindle so that the tape will unwind from right to left over the top of the roll as shown in Figure 2. Close the retainer over the roll by snapping it over its catch. Thread the tape through the tape chute and between the feed roller and pressure roller.

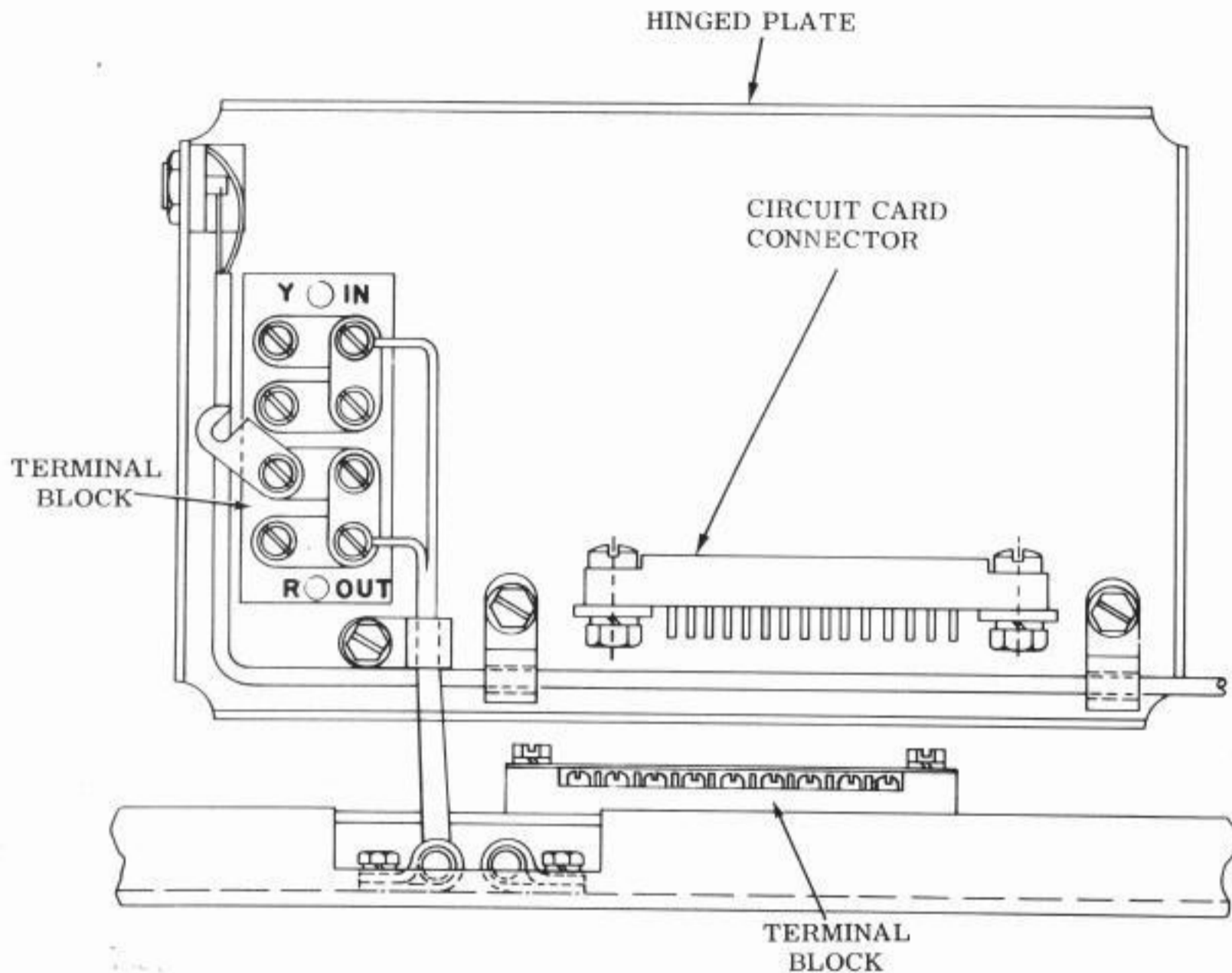


Figure 1 - Cable Routing

TAPE PRINTER SETS FOR PROJECTION

A. Tape Puller

2.04 Install the TP196951 (left) and TP196952 (right) brackets on their respective holes in the projector base and secure them with four TP151723 Screws, TP45815 Lockwashers and TP117535 Flat Washers (Fig. 3). Place the TP196897 Brace between the brackets and secure it with the four TP151723 Screws, TP45815 Lockwashers and TP117535 Flat Washers. Mount the tape puller onto the brackets with the holes in the mounting frame over the locating pins in the mounting brackets. Rotate the winged handle of the latch on the brackets counterclockwise to its most extended position. Place the hooked portion of the fasteners over the keeper plates on the tape puller frame. Rotate the winged handles clockwise to secure the tape puller to the mounting brackets (Fig. 4).

B. Electrical Service Assembly

2.05 Mount the electrical service assembly over the appropriate holes in the projector base at the rear of the tape puller so that the fuse holders are away from the tape puller (Fig. 4). Secure it to the base with four TP151723 Screws, TP45815 Lockwashers and TP117535 Flat Washers. Connect the cable from the tape puller to the electrical service assembly in the receptacle. Make sure it is fully plugged in.

C. Interconnection

2.06 Route the cable from the electrical service assembly to the tape printer base. Remove the cover from the terminal block at the rear of tape printer base (Fig. 1). Connect the blue wire to Terminal No. 8, and the slate

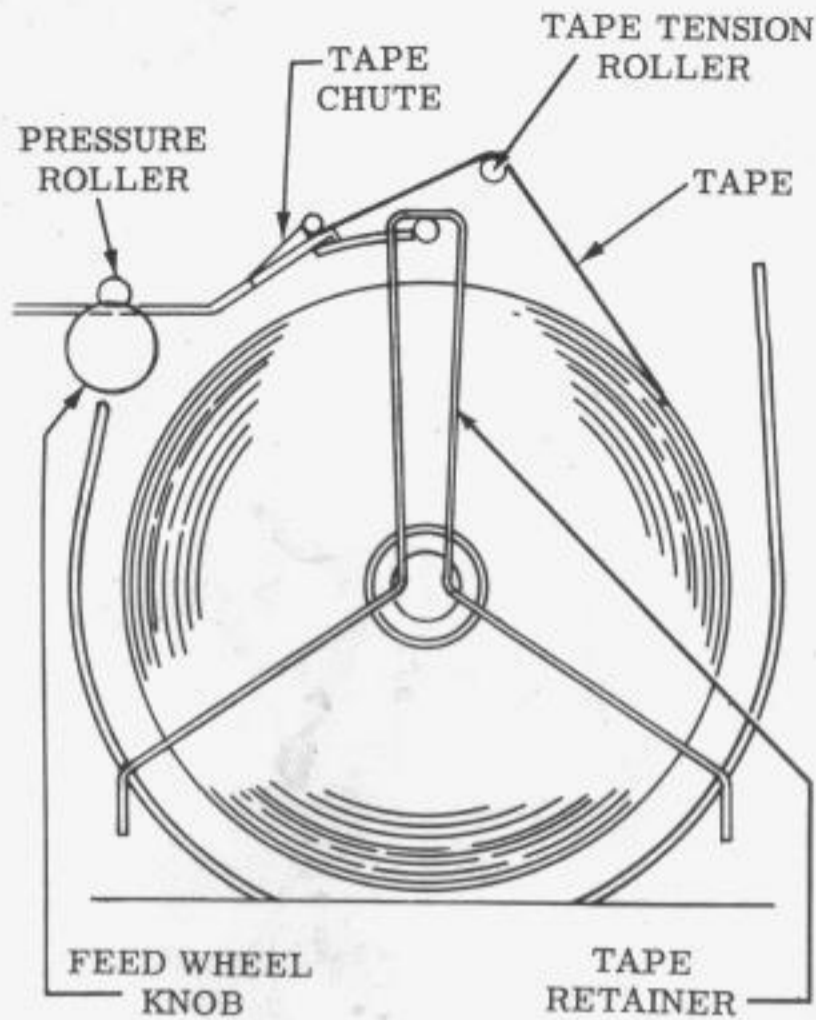


Figure 2 - Tape Path

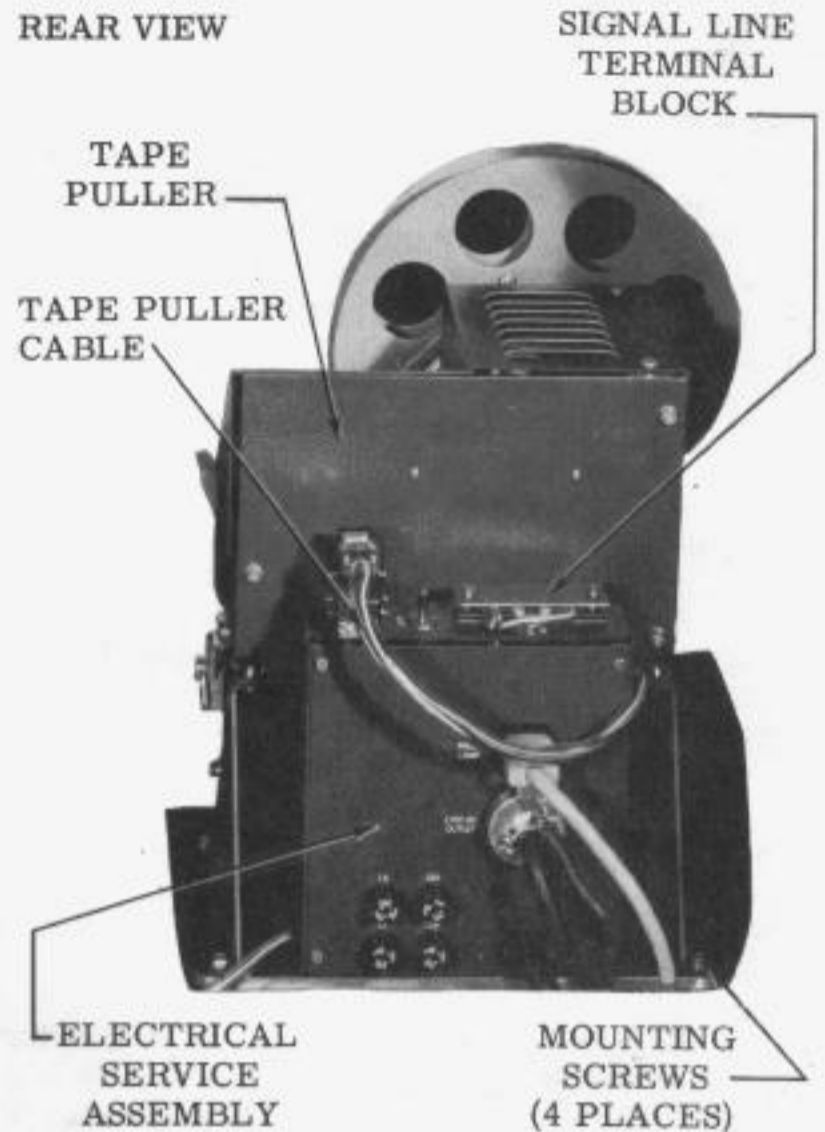


Figure 4 - Electrical Service Assembly

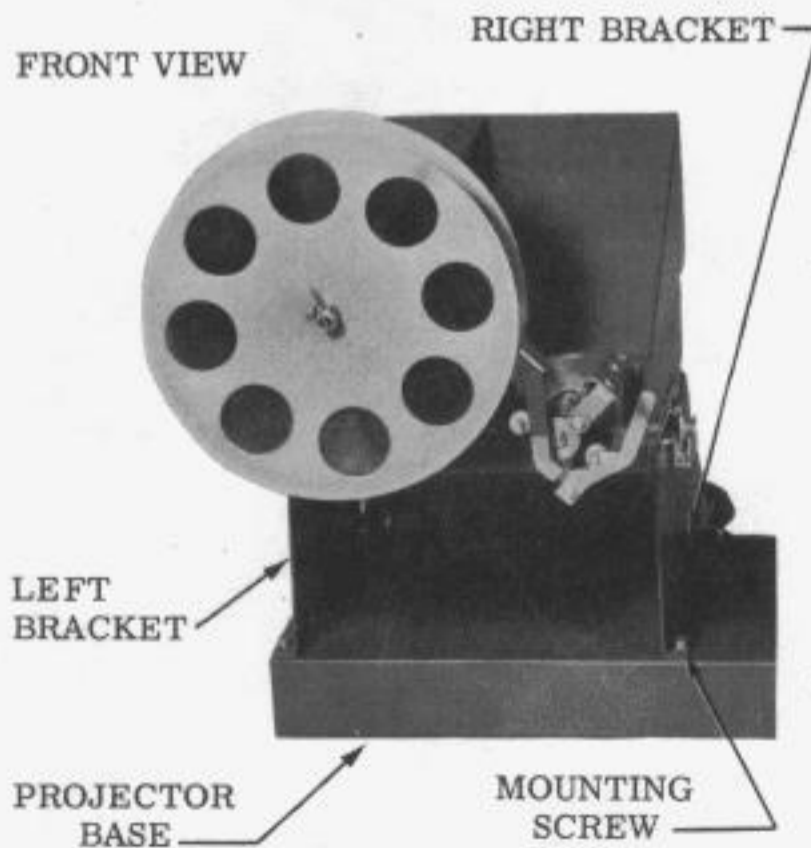


Figure 3 - Tape Puller Assembly

wire to Terminal No. 9 on the terminal block attached to the base. Replace the cover. Connect the yellow wire to the upper terminal of the terminal block on the hinged plate at rear of the base. Connect the red wire to the bottom terminal of the block. Remove the shunt by loosening the strap mounting screw and rotating the shunt out of connection with its screw. Secure the cable to the base with a TP121234 Cable Clamp, TP151346 Screw, TP2191 Lock-washer and TP7002 Flat Washer.

D. Signal Line

2.07 Connect the positive lead of a marking signal line to the terminal marked IN on the terminal block at the top of the electrical service assembly (Fig. 4). Connect the other lead of the signal line to the terminal marked OUT. Remove the shunt on the terminal block. See 7128 WD.

E. Tape

2.08 Unsnap the tape roll retainer from its catch. Place a roll of transparent tape over the spindle so that the tape will unwind over the top of the roll into the tape chute as shown in Figure 2. Close the retainer over the tape roll and snap it over its catch. Thread the transparent tape through the tape chute.

Note: A TP196593 Eccentric Bushing, TP7002 Washer, TP2191 Lockwasher, and TP151618 Screw are furnished to be installed adjacent to the tape pressure roller lever. This eccentric is used to cam the lever and pressure roller away from the tape so that it may be pulled through the chute if desired. Install this eccentric bushing.

F. Ribbon

2.09 Install a ribbon on the tape printer as shown in Figure 5.

CIRCUIT CARD

2.10 Install the circuit card in its connector on the magnet driver assembly of the hinged plate at the rear of the base. Secure it in position by rotating the clip over the top of the card.

GENERAL CHECKOVER

2.11 Make a general check for loose fuses, loose screws on terminal blocks, loose wires, etc, before switching power to the unit. It is possible that during shipment or a long period of storage some lubricant from adjacent mechanism may have come in contact with the pole faces of the selector magnets. To make certain of efficient operation by the selecting mechanism, insert a piece of bond paper between the pole faces and the armature to soak up any lubricant which may have accumulated. Make sure that no lint or pieces of paper are left between the pole faces and the armature.

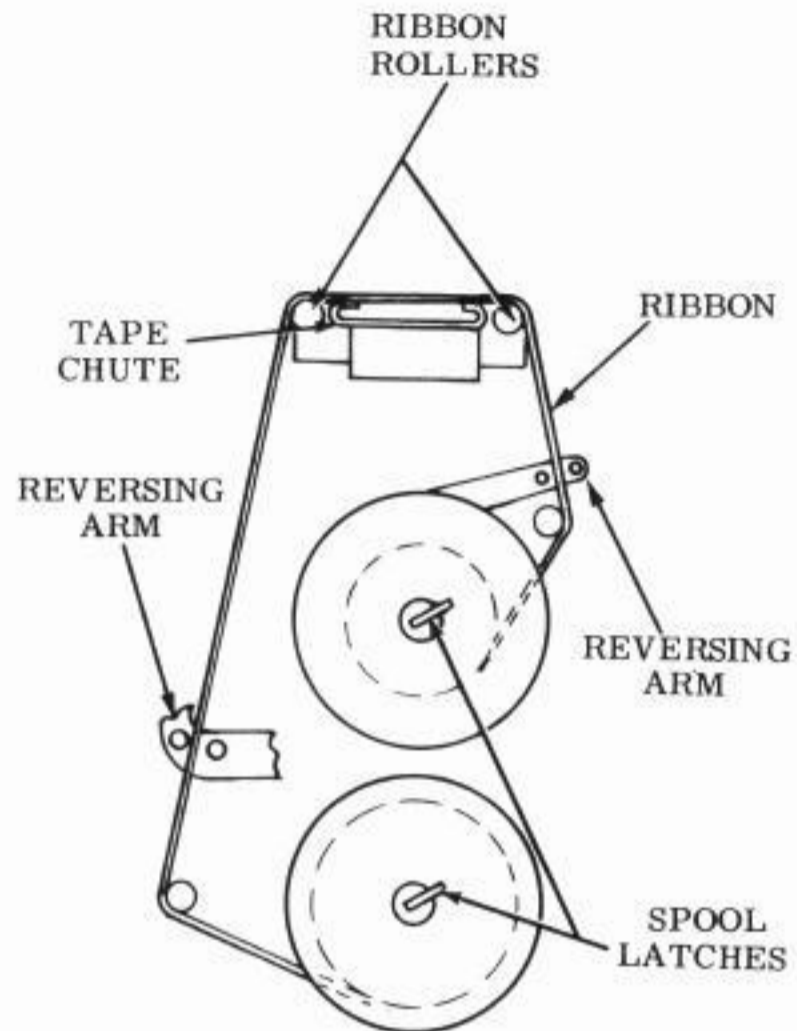


Figure 5 - Path of Ribbon

COVER

2.12 Install the cover over the tape printer. Make sure the locating tabs mate with their respective cutouts.

POWER

2.14 Make sure the power switch is OFF. Plug the power cards into 115 volt ac 60-cycle only. The power cord from the tape printer used with the projector set may be plugged into a wall outlet or into the convenience outlet on the electrical service assembly.

3. ADJUSTMENTS

Note: Before the tape printer set is put into operation, certain adjustments must be made or checked to make certain they are not out of adjustment after shipment.

PRINT HAMMER POST

To Check

Remove cover from tape printer and observe clearance.

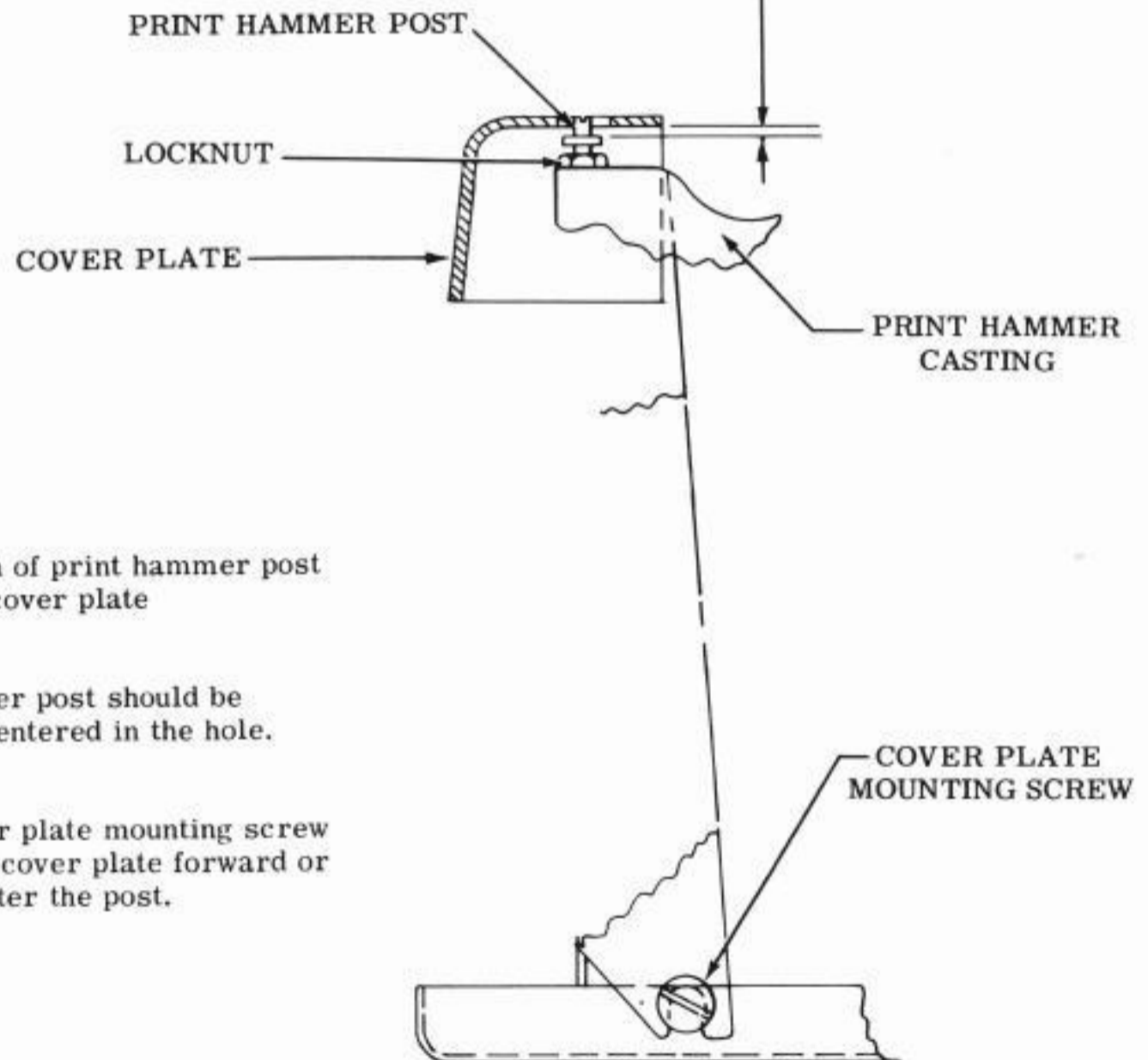
Requirement

Clearance between upper surface of the flange on the post and the inside surface of the cover plate.

Approximately 1/16 inch

To Adjust

Screw the post up or down to meet the requirement.



COVER PLATE

To Check

Observe location of print hammer post through hole in cover plate

Requirement

The print hammer post should be approximately centered in the hole.

To Adjust

Loosen the cover plate mounting screw and position the cover plate forward or backward to center the post.

TAPE RETAINER

Requirement

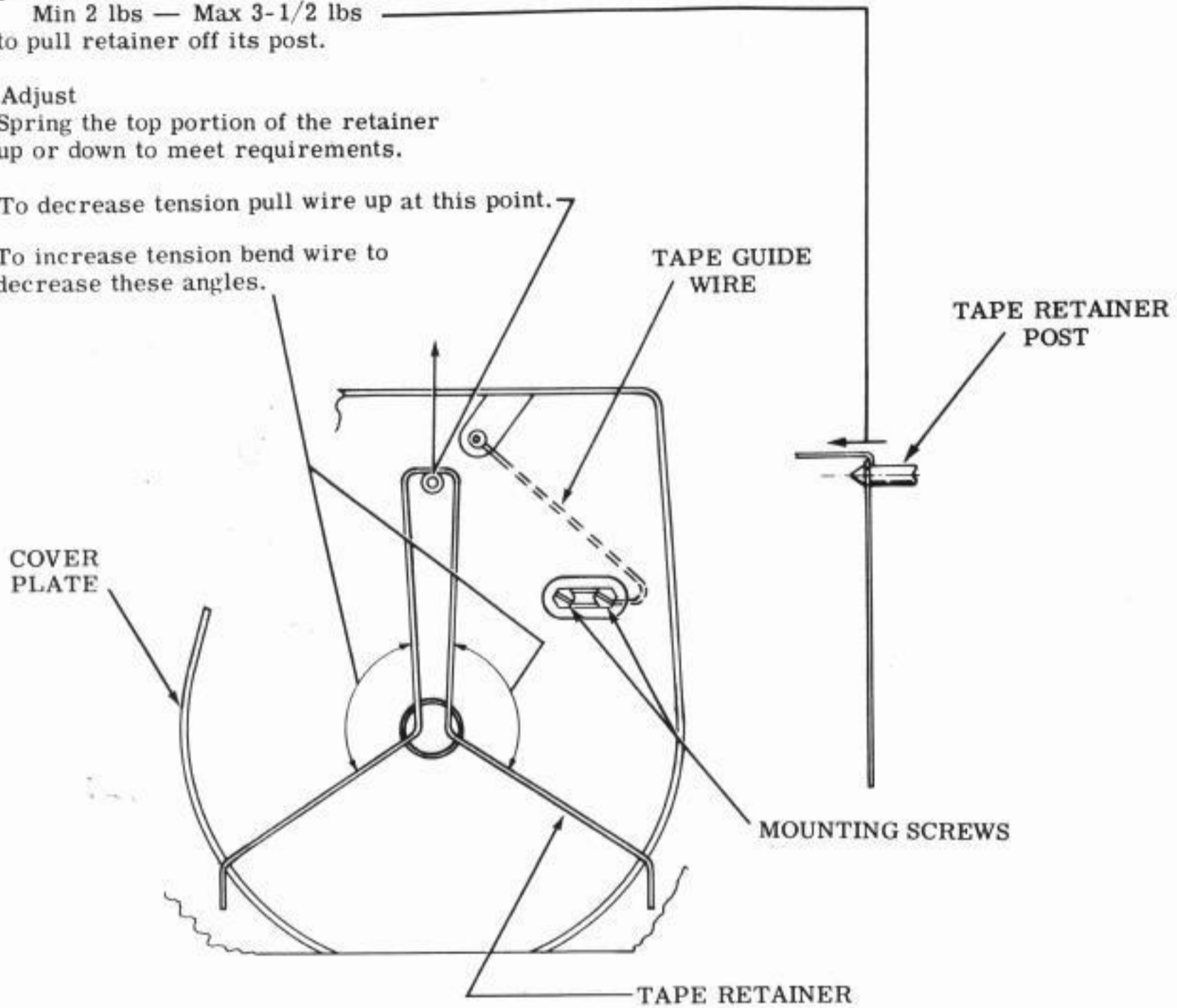
Min 2 lbs — Max 3-1/2 lbs
to pull retainer off its post.

To Adjust

Spring the top portion of the retainer
up or down to meet requirements.

To decrease tension pull wire up at this point.

To increase tension bend wire to
decrease these angles.



TAPE GUIDE WIRE

1. Requirement

The tape guide wire should move freely in its
slot of the cover plate.

To Adjust

Position the guide wire with its mounting screws loosened.

2. Requirement

The tape guide wire should not touch the back
of the cover plate.

To Adjust

Form the wire.