

Bulletin No. *1012*
OCTOBER 1927

MORKRUM-KLEINSCHMIDT

PRINTING TELEGRAPH SYSTEMS

*MULTIPLEX
PERFORATOR PARTS*

TELETYPE

MORKRUM-KLEINSCHMIDT CORPORATION

CHICAGO, U. S. A.

EE - 210
Chicago, Ill.,
Dec. 5, 1929.

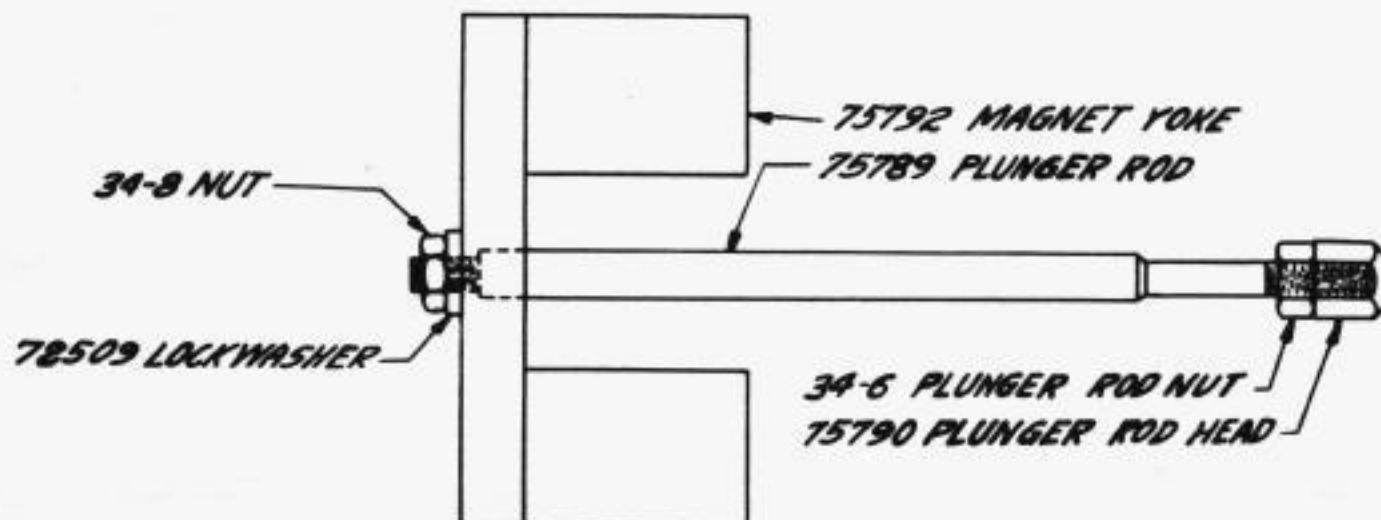
CHANGE IN BULLETIN 1012
PERFORATOR PARTS

PAGE 3

To eliminate breakage of the #122-90 Perforator Plunger Rod, the Rod and Magnet Yoke have been redesigned.

On the new style the plunger rod is held rigidly to the yoke with the end of the rod fitting into a counter-bore. The position of the head of the plunger rod can be changed and the yoke travel adjustment made at this point.

The new parts and manner of assembling are shown in the following sketch:



TELETYPE CORPORATION

EFR

CHANGE IN BULLETINS 1001 and 1012

PERFORATOR PARTS

On the copy holder assembly, page 5, the 6359 message line guide assembly is now fastened to the copy holder by means of four 73531 screws, four 3640 lockwashers and four 34-66 nuts instead of by means of 6355 rivets.

Some of the parts on the feed roll bracket assembly, page 7, have been redesigned as shown in sketch. The changes are as follows:

NEW PARTS

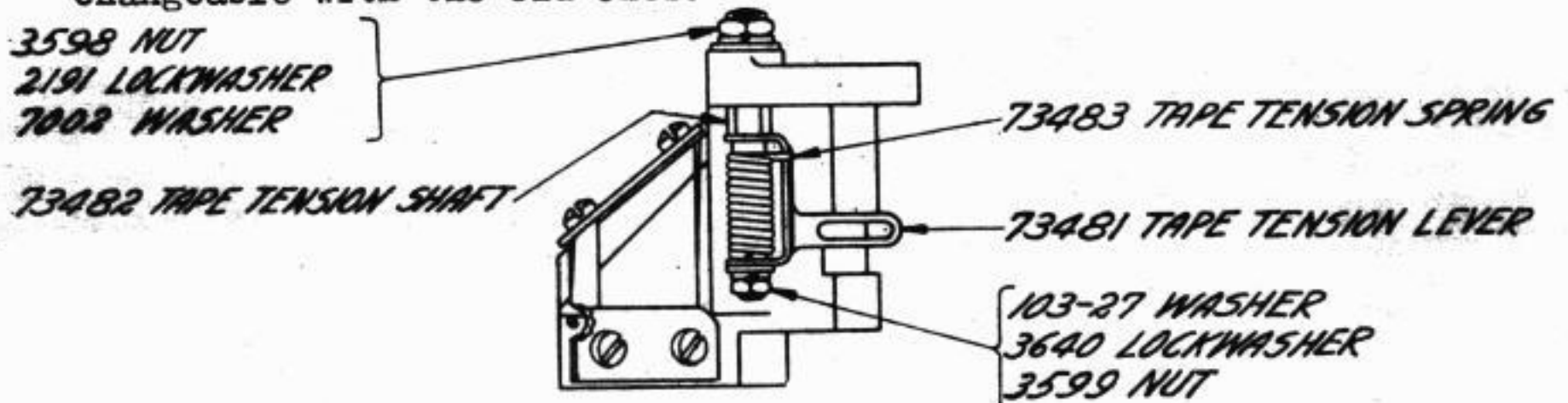
73481 tape tension lever
73482 tape tension shaft
73483 tape tension spring
3598 nut
7002 washer
2191 lockwasher
103-27 washer
3640 lockwasher
3599 nut

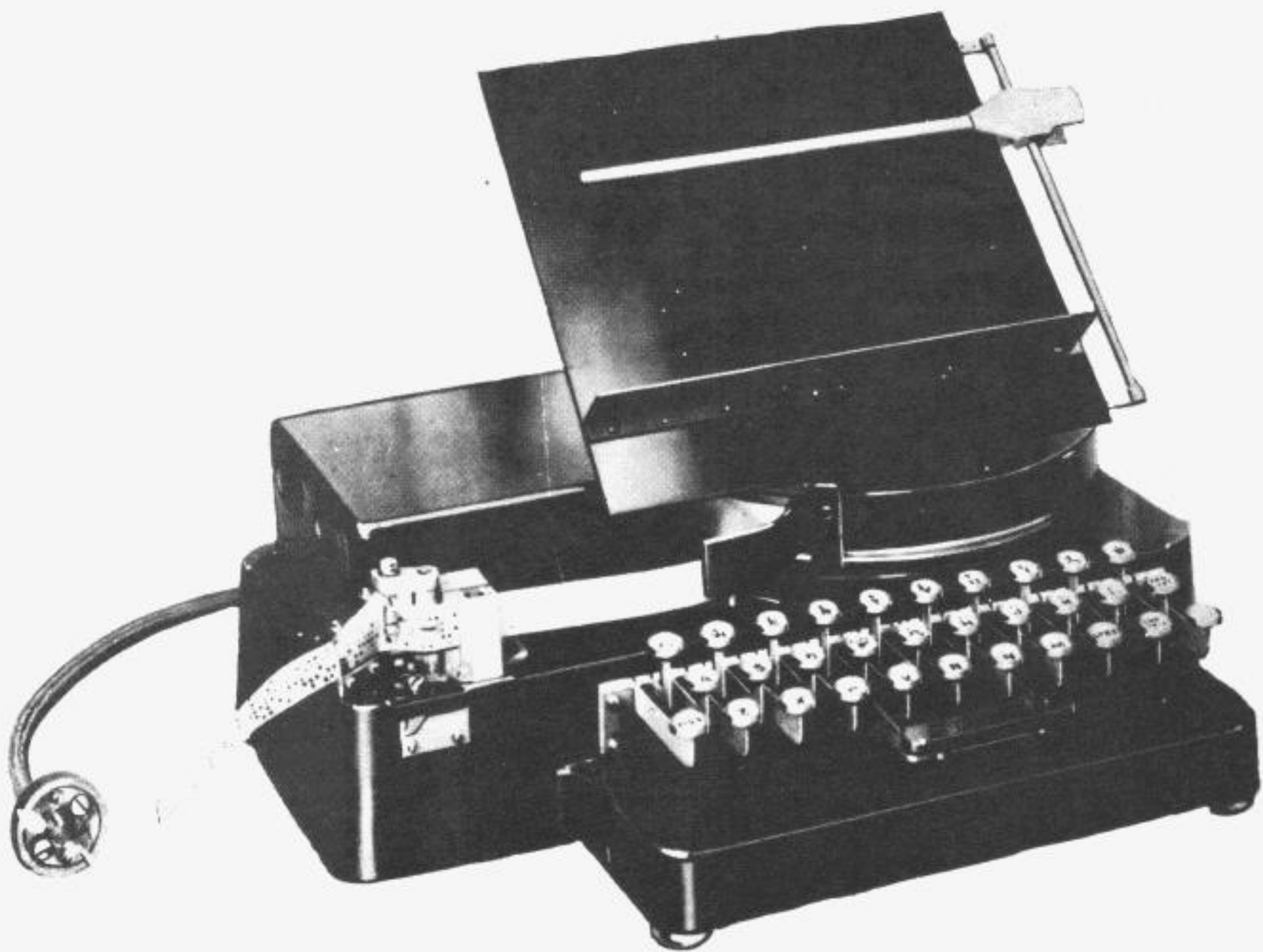
OLD PARTS

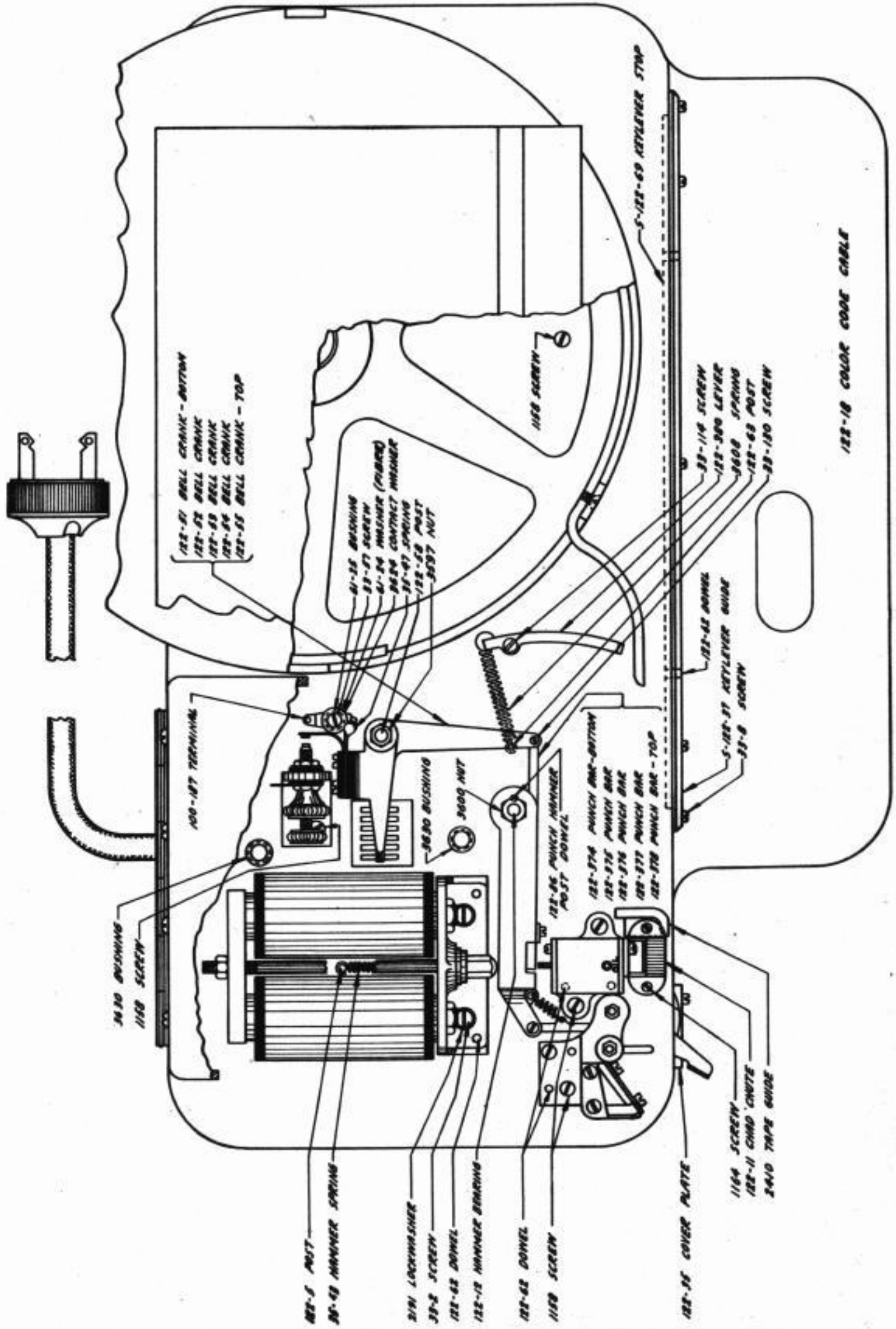
122-587 tape tension fork
122-595 tape tension shaft
122-591 tape tension spring
34-56 nuts (2)
122-589 washer

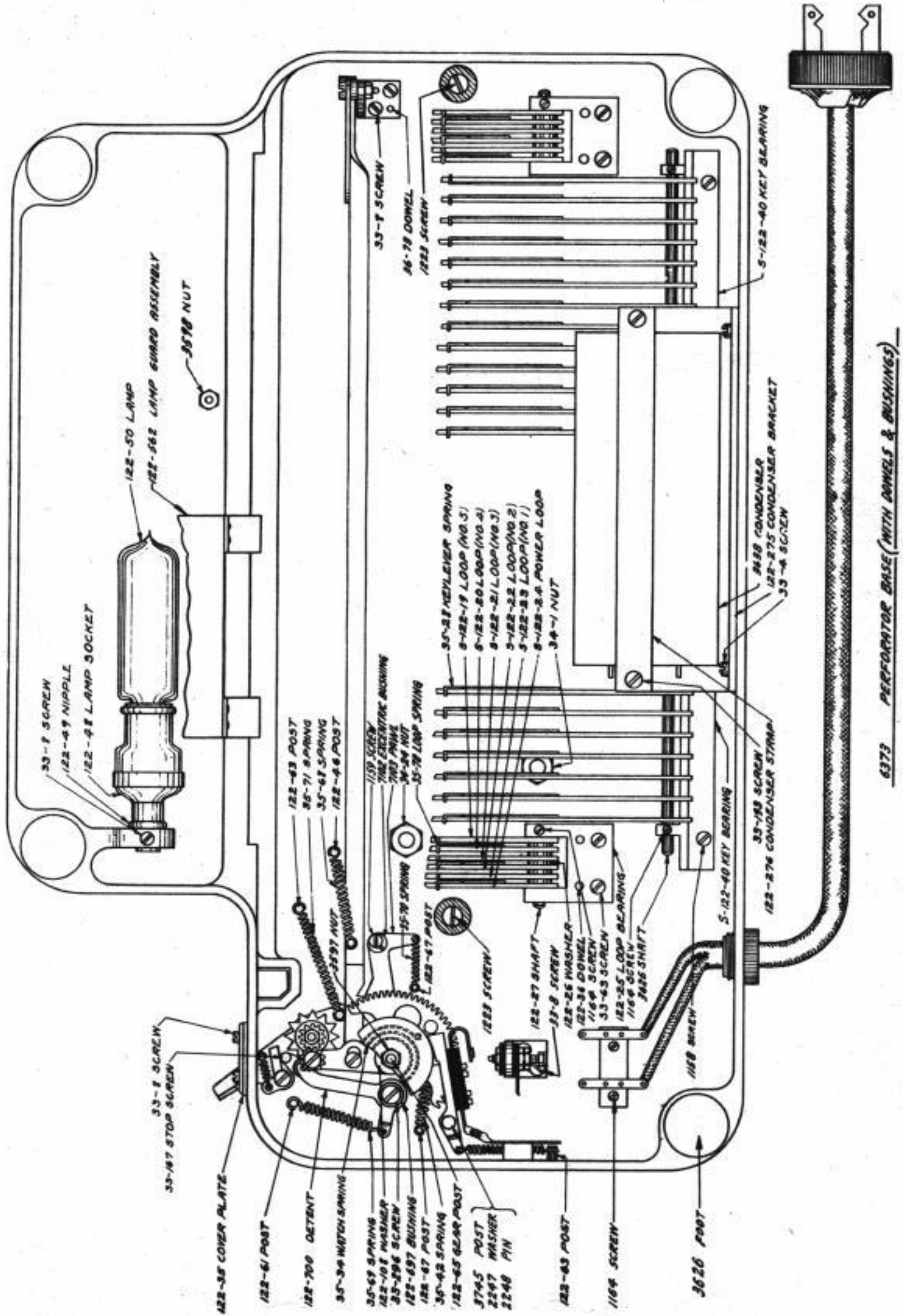
200-153 lockwasher
34-7 nut

The new parts must be ordered together as they are not interchangeable with the old ones.

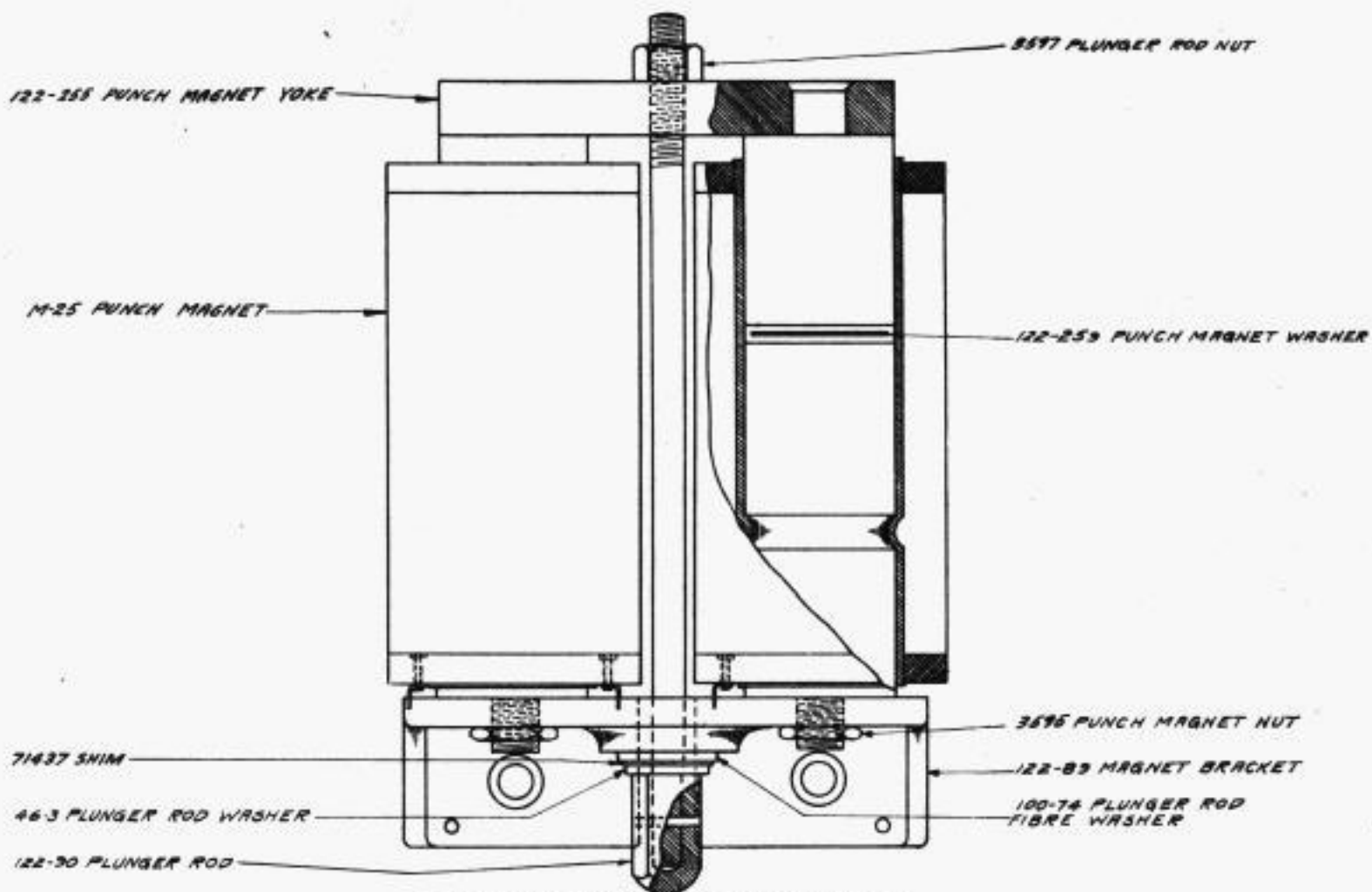






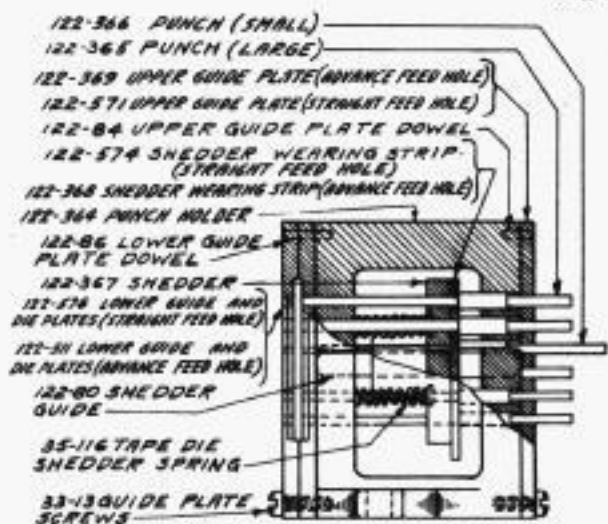


6373 PERFORATOR BASE (WITH DOWELS & BUSHINGS)



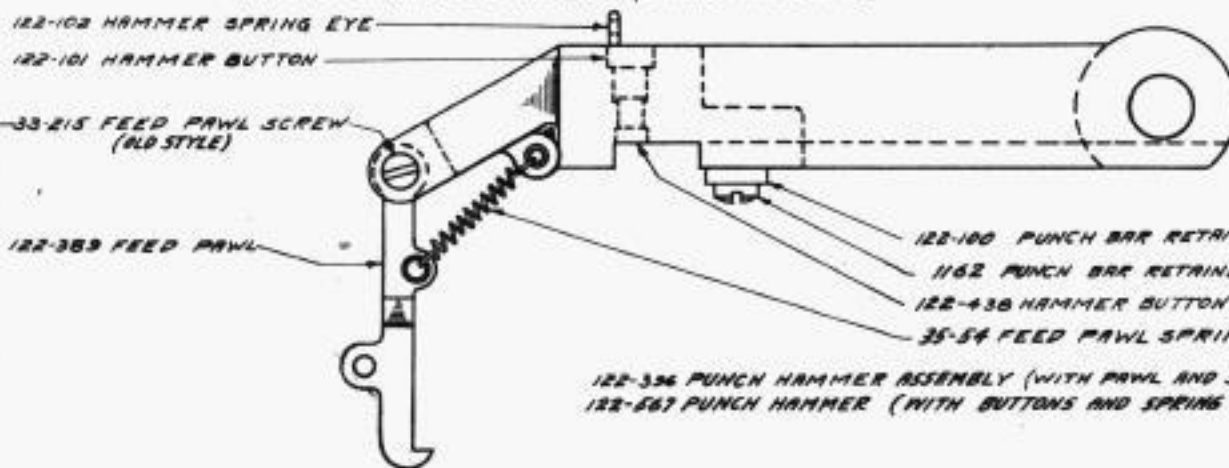
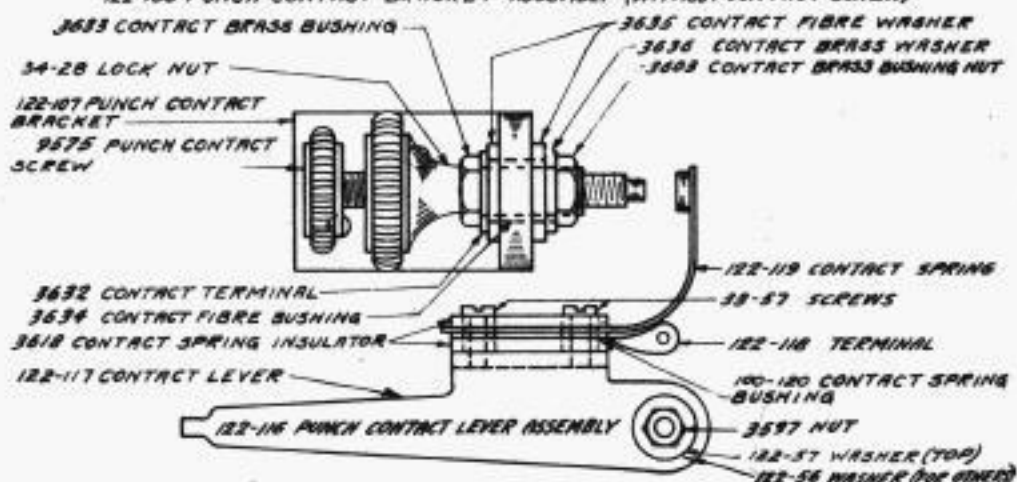
122-88 PUNCH MAGNET BRACKET ASSEMBLY (WITH MAGNETS AND YOKE)

122-106 PUNCH CONTACT BRACKET ASSEMBLY (WITHOUT CONTACT SCREW)

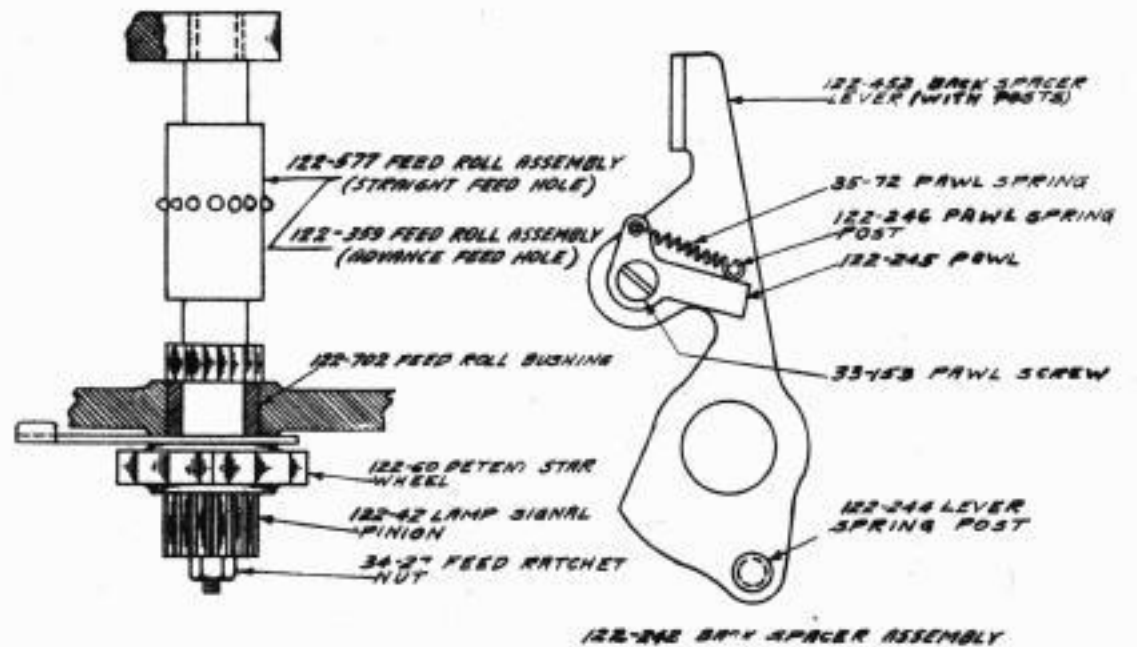
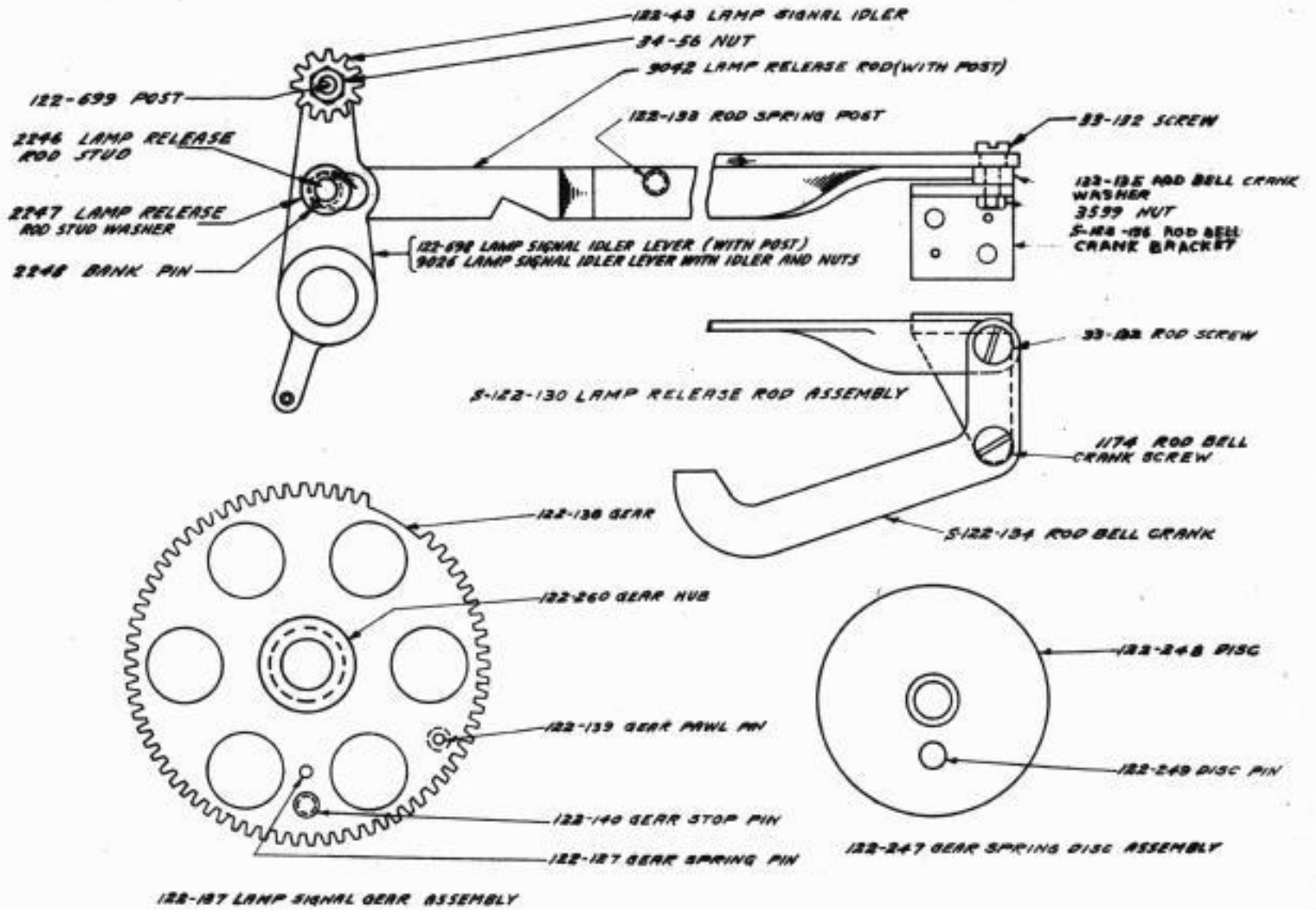


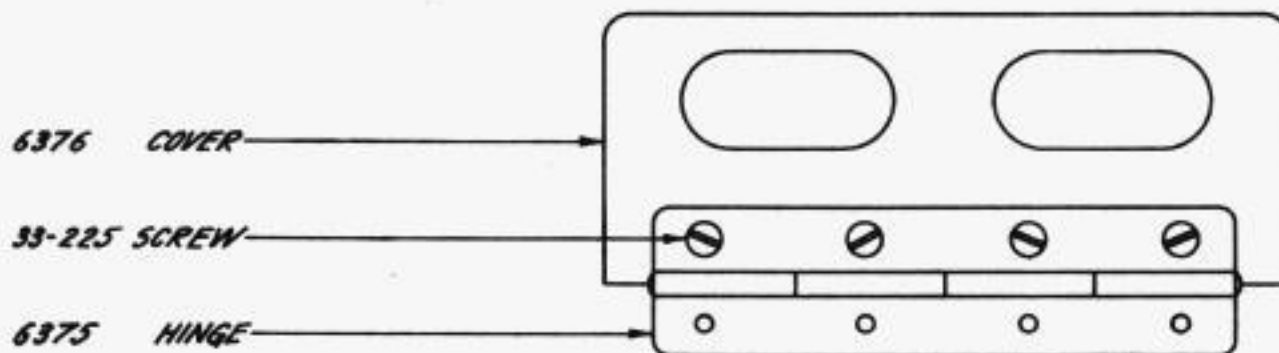
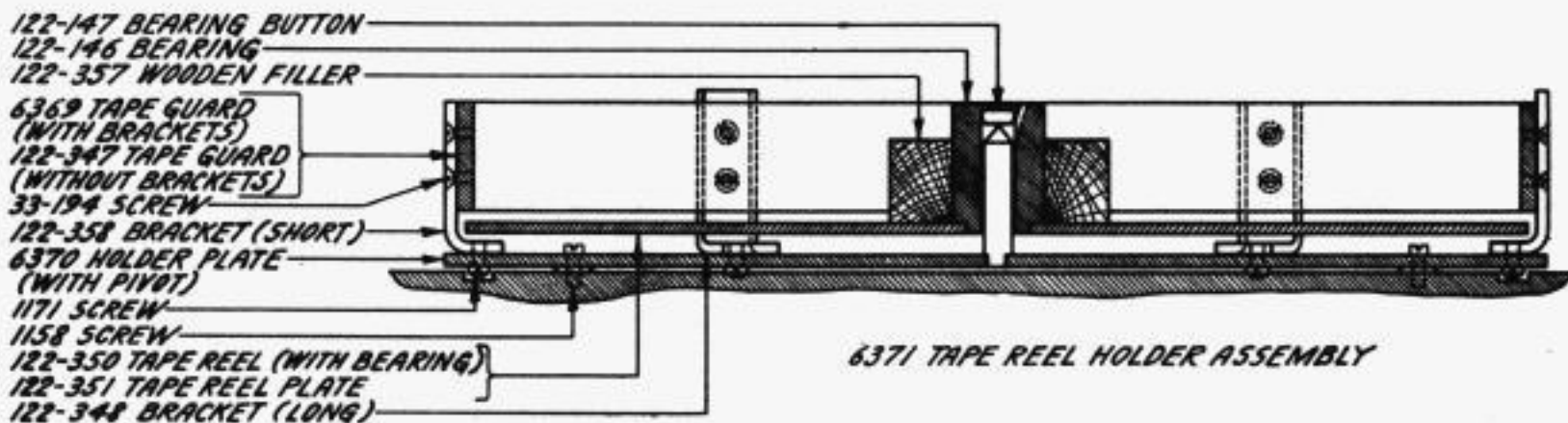
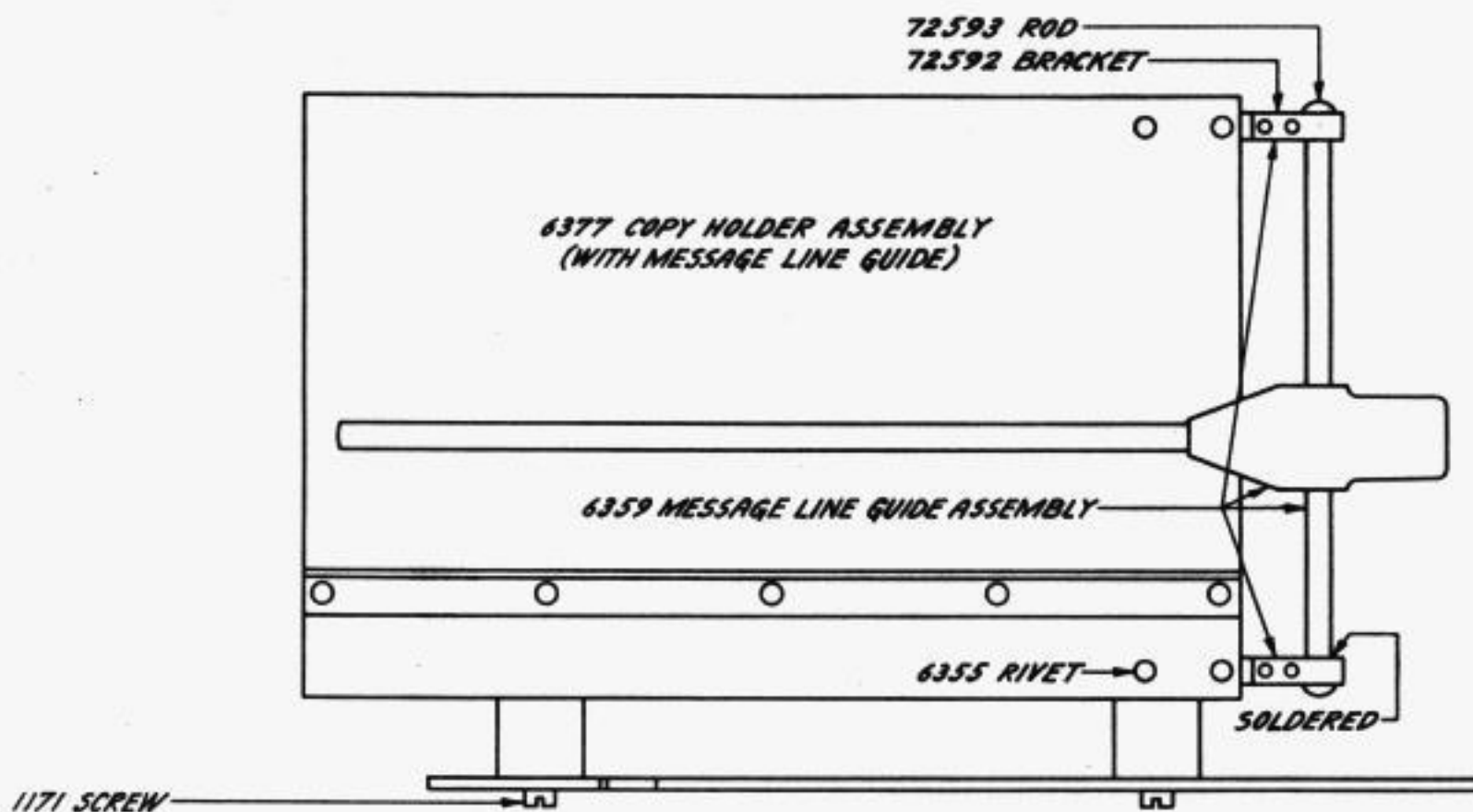
122-364 PUNCH BLOCK ASSEMBLY (ADVANCE FEED HOLE)

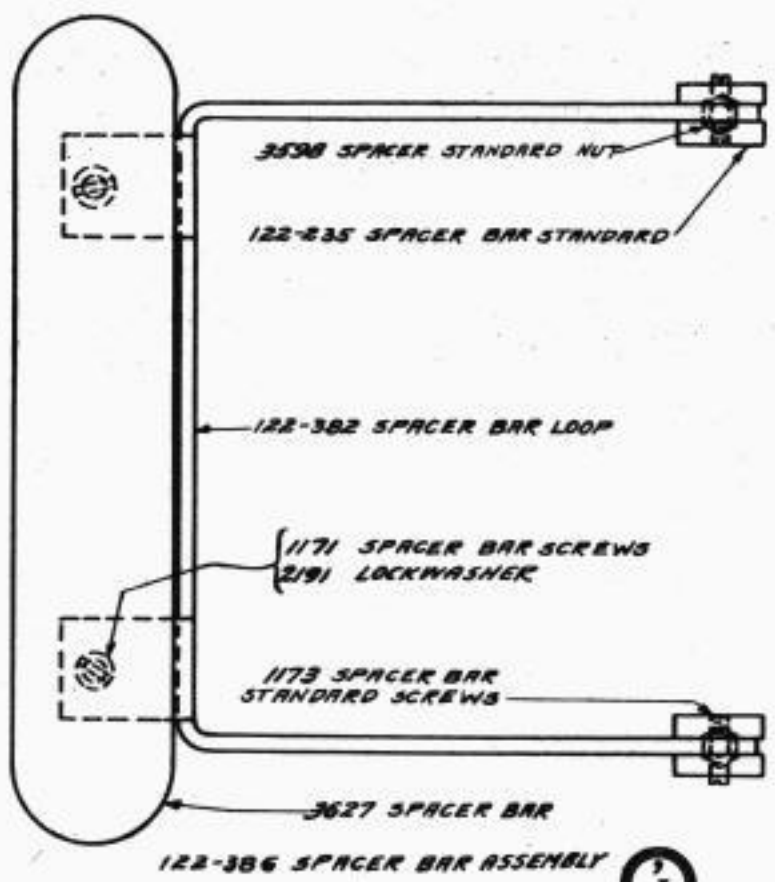
122-575 PUNCH BLOCK ASSEMBLY (STRAIGHT FEED HOLE)



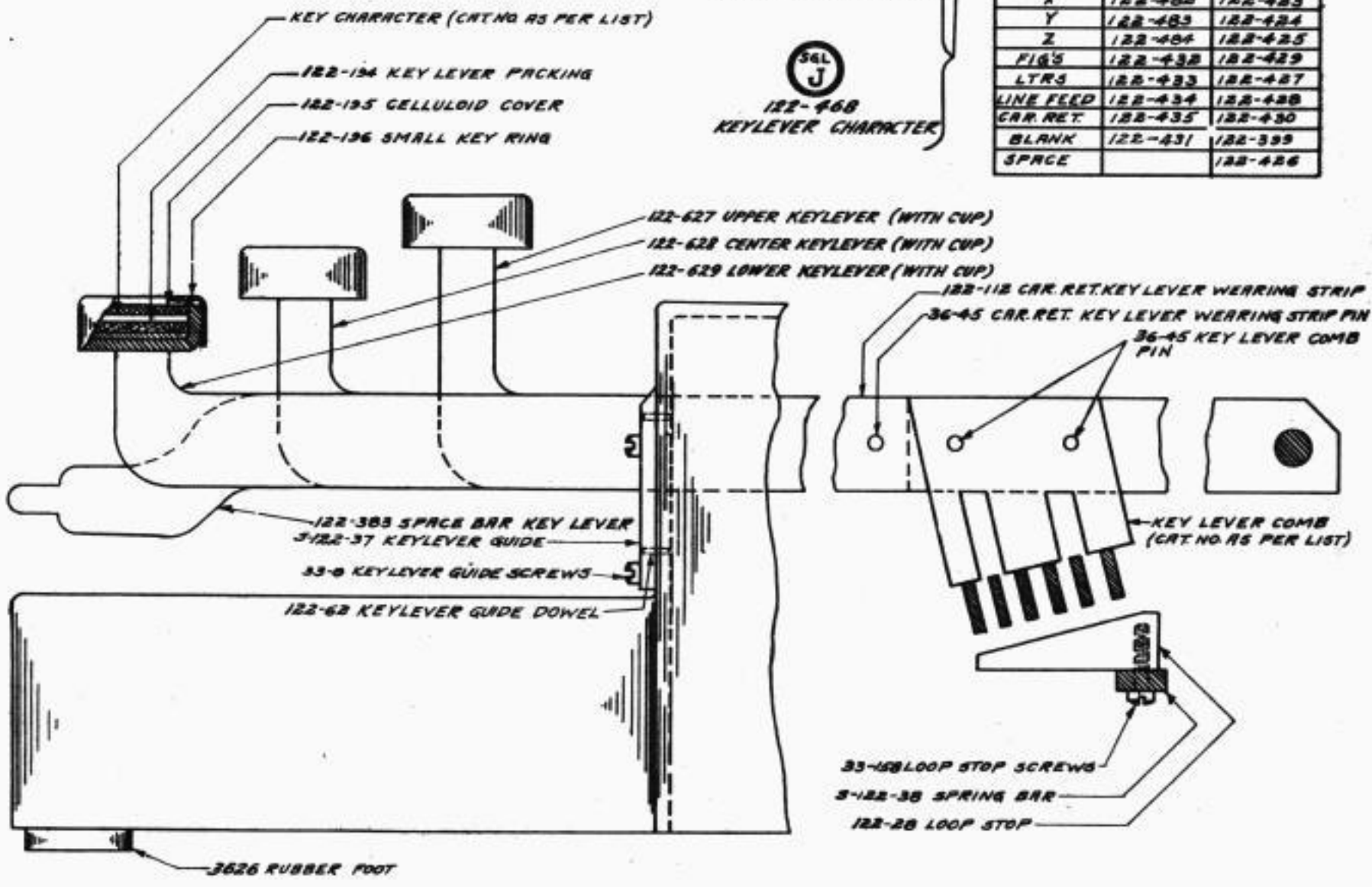
71194 SCREW } USED WITH NEW STYLE 122-567 PUNCH HAMMER (WITH BUTTONS AND SPRING EYE)
5475 NUT } HAVING LARGE TAPPED HOLE FOR ECCENTRIC FEED PAWL ADJUSTING SCREW. WHEN ORDERING 122-567 PUNCH HAMMERS TO REPLACE OLD ONES ALSO ORDER 71194 AND 5475.

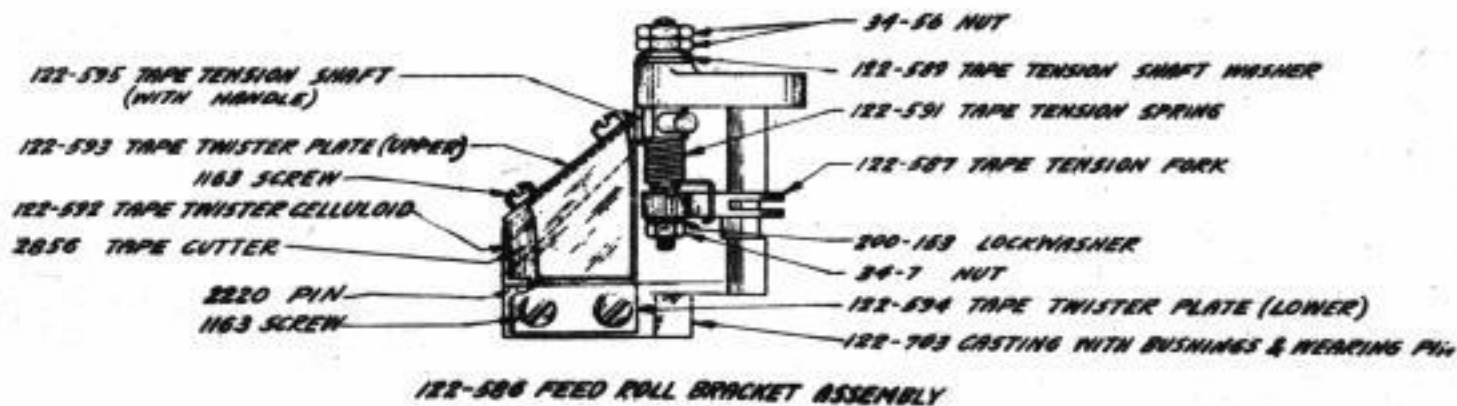
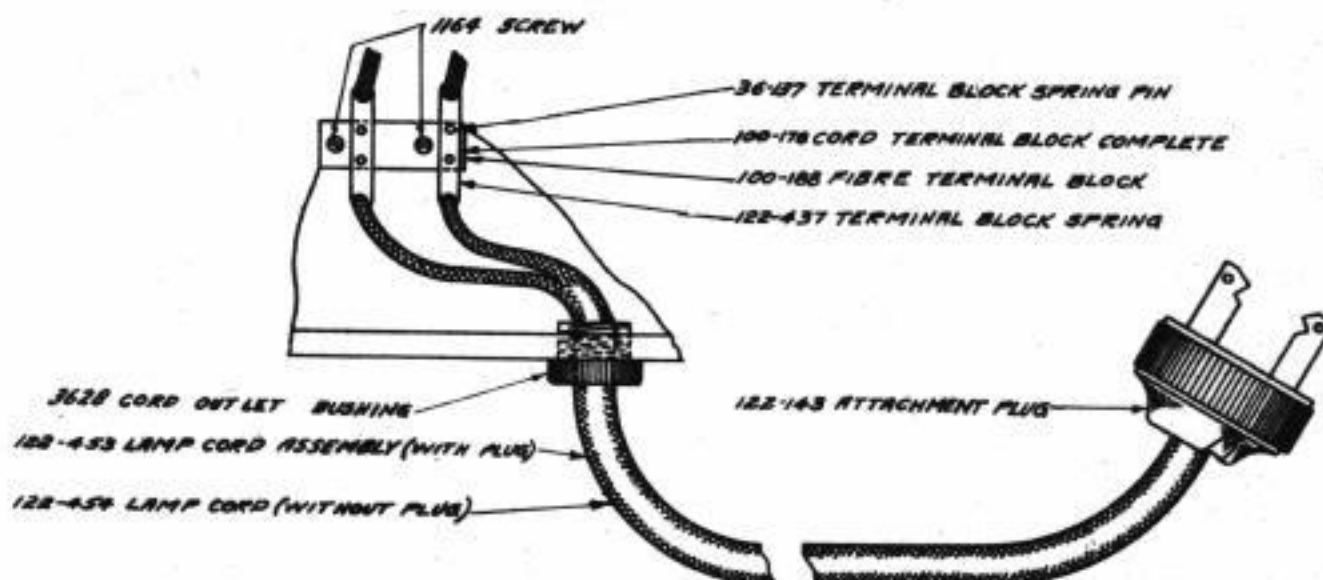
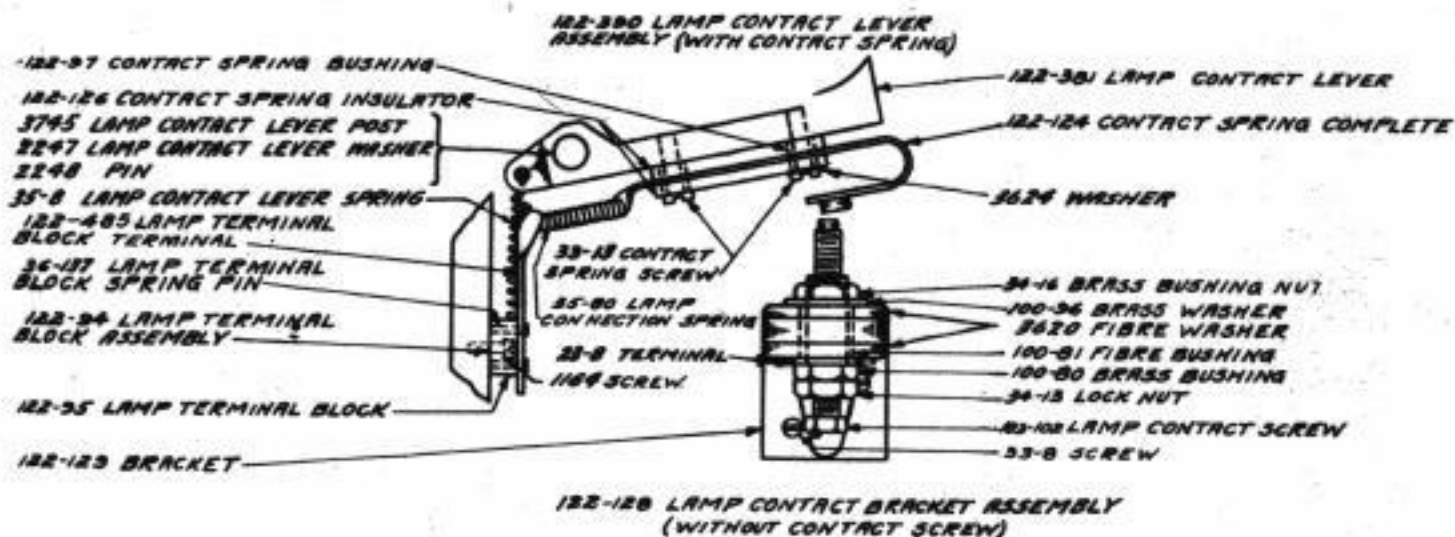






CHARACTER	CAT. NO. KEY LEVER CHARACTER	CAT. NO. KEY LEVER COMB
A	122-453	122-400
B	122-460	122-401
C	122-461	122-402
D	122-462	122-403
E	122-463	122-404
F	122-464	122-405
G	122-465	122-406
H	122-466	122-407
I	122-467	122-408
J		122-409
K	122-469	122-410
L	122-470	122-411
M	122-471	122-412
N	122-472	122-413
O	122-473	122-414
P	122-474	122-415
Q	122-475	122-416
R	122-476	122-417
S	122-477	122-418
T	122-478	122-419
U	122-479	122-420
V	122-480	122-421
W	122-481	122-422
X	122-482	122-423
Y	122-483	122-424
Z	122-484	122-425
FIG'S	122-432	122-429
LYRS	122-433	122-427
LINE FEED	122-434	122-428
CAR. RET.	122-435	122-430
BLANK	122-431	122-399
SPACE		122-426





NUMERICAL INDEX

23-8	Terminal, 7.	100-178	2 Spring Terminal Block Complete, 7.
M-25	Perforator Punch Solenoid, 3.	100-187	Terminal, 1.
33-2	Screw 6x32x3/8" Fil.Hd., 1.	100-188	Fibre Terminal Block, 7.
33-4	Screw 6-32x1/4" Fil.Hd., 2.	103-102	Contact screw, 7.
33-8	Screw 4-36x1/4" Fil.Hd., 1, 2, 6, 7.	122-5	Spring post, 1.
33-13	Screw 2-56x1/4" Fil.Hd., 3, 7.	122-11	Chad Chute, 1.
33-57	Screw 2-56x9/32" Special Hd., 1, 3.	122-12	Punch Hammer Bearing, 1.
33-63	Screw 6-32x1/2" Fil.Hd., 2.	122-18	Cable, 1.
33-114	Screw 3-48 (Shoulder), 1.	S-122-19	Loop No. 5, 2.
33-130	Screw 1-72 Shoulder, 1.	S-122-20	Loop No. 4, 2.
33-132	Screw 4-40 Shoulder, 4.	S-122-21	Loop No. 3, 2.
33-153	Screw 3-48 Shoulder, 4.	S-122-22	Loop No. 2, 2.
33-158	Screw 6-40x1/2" Fil.Hd., 6.	S-122-23	Loop No. 1, 2.
33-167	Screw 8-40 Pilot, 2.	S-122-24	Power Loop, 2.
33-193	Screw 6-32x1" Fil.Hd., 2.	122-25	Loop Bearing, 2.
33-194	Screw 6-32x3/16" Flat Hd., 5.	122-26	Washer, 2.
33-215	Screw 5/32-40 Pilot, 3.	122-27	Shaft, 2.
33-225	Screw 6-32x3/16" Rd.Hd., 5.	122-28	Loop Stop, 6.
33-296	Screw 6-40 Special, 2.	122-35	Cover Plate, 1, 2.
34-1	Nut 1/4-32 Hex., 2.	122-36	Dowel, 2.
34-7	Nut 3-48 Hex., 7.	S-122-37	Keylever Guide, 1, 6.
34-13	Nut 3-56 Hex., 7.	S-122-38	Spring Bar, 6.
34-16	Nut 5/32-60 Hex., 7.	S-122-40	Key Bearing, 2.
34-24	Nut 1/4-32 Hex., 2.	122-42	Lamp Signal Pinion, 4.
34-27	Nut 5/32-40 Special, 4.	122-43	Lamp Signal Idler, 4.
34-28	Nut 6-40 Round, 3.	122-46	Spring Post, 2.
34-56	Nut 4-40 Hex., 4, 7.	122-48	Lamp Socket (Candelabra), 2.
35-8	Spring Tension, 7.	122-49	Lamp Socket Nipple, 2.
35-28	Keylever spring, 2.	122-50	Lamp (Perforator Signal), 2.
35-34	Spring Clock, 2.	122-51	Bell Crank No. 5, 1.
35-42	Spring-Tension, 2.	122-52	Bell Crank No. 4, 1.
35-47	Spring-Connection, 1.	122-53	Bell Crank No. 3, 1.
35-53	Spring-Tension, 1.	122-54	Bell Crank No. 2, 1.
35-54	Spring-Tension, 3.	122-55	Bell Crank No. 1, 1.
35-68	Spring-Tension, 2.	122-56	Spacer Washer, 3.
35-69	Spring-Tension, 2.	122-57	Spacer Washer, 3.
35-70	Spring-Tension, 2.	122-58	Bell Crank Post, 1.
35-71	Spring-Tension, 2.	122-60	Detent Star Wheel, 4.
35-72	Spring-Tension, 4.	122-61	Spring Post, 2.
35-78	Loop Spring, 2.	122-62	Dowel, 1, 6.
35-80	Spring-Connection, 7.	122-63	Spring Post, 1, 2.
35-116	Spring-Compression, 3.	122-65	Gear Post, 2.
36-45	Pin, 6.	122-67	Spring Post, 2.
36-73	Pin, 2.	S-122-69	Keylever Stop, 1.
36-137	Rivet, 7.	122-80	Shedder Guide, 3.
46-3	Washer (Steel), 3.	122-84	Dowel, 3.
61-24	Washer (Fibre), 1.	122-86	Dowel, 1, 3.
61-25	Bushing (Fibre), 1.	122-88	Punch Magnet Bracket Complete (with magnets and yoke), 3.
100-74	Washer (Fibre), 3.	122-89	Magnet Bracket, 3.
100-80	Bushing (Brass), 7.	122-90	Plunger Rod Complete, 3.
100-81	Bushing (Fibre), 7.	122-94	Lamp Terminal Block Complete, 7.
100-96	Washer (Brass), 7.		
100-120	Bushing (Fibre), 3.		

NUMERICAL INDEX

122-95	Lamp Terminal Block, 7.	122-351	Tape Reel Plate, 5.
122-97	Bushing (Fibre), 7.	122-357	Wooden Filler, 5.
122-100	Punch Bar Retainer, 3.	122-358	Tape Guard Bracket (Short), 5.
122-101	Hammer Button, 3.	122-359	Feed Roll (Advanced), 4.
122-102	Hammer Spring Eye, 3.	122-364	Punch Holder, 3.
122-106	Punch Contact Bracket Complete, 3.	122-365	Die Punch (Large), 3.
122-107	Punch Contact Bracket, 3.	122-366	Die Punch (Small), 3.
122-108	Spacer Washer, 2.	122-367	Shedder, 3.
122-112	Carriage Return Key Lever Wearing Strip, 6.	122-368	Shedder Wearing Strip (Advanced), 3.
122-116	Punch Contact Lever Com- plete, 3.	122-369	Upper Guide Plate (Advanced), 3.
122-117	Contact Lever, 3.		
122-118	Terminal, 3.	122-374	Punch Bar No. 5, 1.
122-119	Contact Spring Complete, 3.	122-375	Punch Bar No. 4, 1.
122-124	Contact Spring Complete, 7.	122-376	Punch Bar No. 3, 1.
122-126	Insulator, 7.	122-377	Punch Bar No. 2, 1.
122-127	Spring Pin, 4.	122-378	Punch Bar No. 1, 1.
122-128	Lamp Contact Bracket Assem- bly (without contact screw), 7.	122-380	Tape Tension Lever, 1.
122-129	Bracket, 7.	122-381	Lamp Contact Lever, 7.
S-122-130	Lamp Release Rod Assembly, 4.	122-382	Spacer Bar Loop, 6.
122-133	Spring Post, 4.	122-383	Spacer Bar Keylever, 6.
S-122-134	Bell Crank, 4.	122-384	Punch Block Complete (Advanced), 3.
122-135	Washer, 4.	122-386	Spacer Bar Assembly, 6.
S-122-136	Bracket, 4.	122-389	Feed Pawl, 3.
122-137	Lamp Signal Gear Assembly, 4.	122-390	Lamp Contact Lever Assem- bly (with contact spring), 7.
122-138	Lamp Signal Gear (use 122-137), 4.	122-396	Punch Hammer with Pawl and Spring, 3.
122-139	Gear Pawl Pin, 4.	122-399	Keylever Comb Blank, 6.
122-140	Gear Stop Pin, 4.	122-400	Keylever Comb (A), 6.
122-143	Attachment Plug, 7.	122-401	Keylever Comb (B), 6.
122-146	Tape Reel Bearing, 5.	122-402	Keylever Comb (C), 6.
122-147	Tape Reel Bearing Button, 5.	122-403	Keylever Comb (D), 6.
122-194	Keylever Packing, 6.	122-404	Keylever Comb (E), 6.
122-195	Celluloid Cover, 6.	122-405	Keylever Comb (F), 6.
122-196	Small Key Ring, 6.	122-406	Keylever Comb (G), 6.
122-235	Spacer Bar Standard, 6.	122-407	Keylever Comb (H), 6.
122-242	Back Spacer Assembly, 4.	122-408	Keylever Comb (I), 6.
122-244	Spring Post, 4.	122-409	Keylever Comb (J), 6.
122-245	Pawl, 4.	122-410	Keylever Comb (K), 6.
122-246	Spring Post, 4.	122-411	Keylever Comb (L), 6.
122-247	Gear Spring Disc Assembly, 4.	122-412	Keylever Comb (M), 6.
122-248	Disc, 4.	122-413	Keylever Comb (N), 6.
122-249	Disc Pin, 4.	122-414	Keylever Comb (O), 6.
122-255	Magnet Yoke Complete, 3.	122-415	Keylever Comb (P), 6.
122-259	Washer, 3.	122-416	Keylever Comb (Q), 6.
122-260	Gear Hub, 4.	122-417	Keylever Comb (R), 6.
122-275	Condenser Bracket, 2.	122-418	Keylever Comb (S), 6.
122-276	Condenser Strap, 2.	122-419	Keylever Comb (T), 6.
122-347	Tape Guard, 5.	122-420	Keylever Comb (U), 6.
122-348	Tape Guard Bracket (Long), 5.	122-421	Keylever Comb (V), 6.
122-350	Tape Reel Complete, 5.	122-422	Keylever Comb (W), 6.
		122-423	Keylever Comb (X), 6.
		122-424	Keylever Comb (Y), 6.

NUMERICAL INDEX

122-425	Keylever Comb (Z), 6.	122-562	Lamp Guard Assembly, 2.
122-426	Keylever Comb (Space, 6.	122-567	Punch Hammer (With Buttons and Spring Eye), 3.
122-427	Keylever Comb (Letters), 6.	122-571	Upper Guide Plate (Straight), 3.
122-428	Keylever Comb (Line Feed), 6.	122-574	Shedder Wearing Strip (Straight), 3.
122-429	Keylever Comb (Figs.), 6.	122-575	Punch Block Complete (Straight), 3.
122-430	Keylever Comb (Car. Ret.), 6.	122-576	Lower Guide & Die Plates (Straight), 3.
122-431	Keylever Character (Blank), 6.	122-577	Feed Roll (Straight), 4.
122-432	Keylever Character (Figs.), 6.	122-582	Keylever Character J', 6.
122-433	Keylever Character (Letters), 6.	122-586	Feed Roll Bracket Assem- bly, 7.
122-434	Keylever Character (Line Feed), 6.	122-587	Tape Tension Fork, 7.
122-435	Keylever Character (Car. Ret.), 6.	122-589	Tape Tension Shaft Wash- er, 7.
122-437	Terminal Block Spring, 7.	122-591	Tape Tension Spring, 7.
122-438	Punch Hammer Button, 3.	122-592	Tape Twister Celluloid, 7.
122-452	Back Spacer Lever (With Posts), 4.	122-593	Tape Twister Plate (Up- per), 7.
122-453	Lamp Cord Assembly (With Plug), 7.	122-594	Tape Twister Plate (Lo- wer), 7.
122-454	Lamp Cord (Without Plug), 7.	122-595	Tape Tension Shaft (With Handle), 7.
122-459	Keylever Character A, 6.	122-627	Keylever Upper with Cup, 6.
122-460	Keylever Character B, 6.	122-628	Keylever Center with Cup, 6.
122-461	Keylever Character C, 6.	122-629	Keylever Lower with Cup, 6.
122-462	Keylever Character D, 6.	122-697	Eccentric Bushing, 2.
122-463	Keylever Character E, 6.	122-698	Lamp Signal Idler Lever (With Post), 4.
122-464	Keylever Character F, 6.	122-699	Post, 4.
122-465	Keylever Character G, 6.	122-700	Detent Complete, 2.
122-466	Keylever Character H, 6.	122-702	Feed Roll Bushing, 4.
122-467	Keylever Character I, 6.	122-703	Feed Roll Bracket (With Bushings and Wearing Pin), 7.
122-468	Keylever Character J, SGL, 6.	200-153	Lockwasher, 7.
122-469	Keylever Character K, 6.	1158	Screw 6-32x5/16" Fil. Hd., 1, 2, 5
122-470	Keylever Character L, 6.	1159	Screw 4-40x3/8" Fil. Hd., 2.
122-471	Keylever Character M, 6.	1162	Screw 4-40x1/4" Fil. Hd., 3.
122-472	Keylever Character N, 6.	1163	Screw 4-40x3/16" Fil. Hd., 7.
122-473	Keylever Character O, 6.	1164	Screw 2-56x3/16" Fil. Hd., 1, 2, 7.
122-474	Keylever Character P, 6.	1171	Screw 6-32x3/16" Fil. Hd., 5, 6.
122-475	Keylever Character Q, 6.	1173	Screw 3-48 (Special Hd.), 6.
122-476	Keylever Character R, 6.	1174	Screw 4-40 Shoulder, 4.
122-477	Keylever Character S, 6.	1223	Screw 10-32x1/2" Fil. Hd., 2.
122-478	Keylever Character T, 6.	2191	Lockwasher, 1, 6.
122-479	Keylever Character U, 6.	2220	Pin, 7.
122-480	Keylever Character V, 6.	2246	Stud, 4.
122-481	Keylever Character W, 6.	2247	Washer (Steel), 3, 4, 7
122-482	Keylever Character X, 6.	2248	Pin, 2, 4, 7.
122-483	Keylever Character Y, 6.	2410	Tape Guide Spring, 1.
122-484	Keylever Character Z, 6.	2856	Tape Cutter, 7.
122-485	Terminal, 7.	3595	Nut 1/4-32 Hex., 3.
122-511	Lower Guide & Die Plates (Advanced), 3.		

NUMERICAL INDEX

3597	Nut 5/32-40 Hex., 1, 2, 3.	6369	Tape Guard (With Brackets), 5.
3598	Nut 6-40 Hex., 2, 6.	6370	Tape Reel Holder Plate (With Pivot), 5.
3599	Nut 4-40 Hex., 4.	6371	Tape Reel Holder Assembly, 5.
3600	Nut 3/16-40 Hex., 1.	6373	Perforator Base (With Dowels and Bushings), 2.
3603	Nut 1/4-32 Hex., 3.	6375	Cover Hinge, 5.
3608	Spring-Tension, 1.	6376	Cover casting enameled, 5.
3618	Insulator, 3.	6377	Copy Holder Assembly (With Message Line Guide), 5.
3620	Washer (Fibre), 7.	7102	Eccentric Bushing, 2.
3624	Washer (Brass), 1, 7.	7103	Pawl, 2.
3625	Keylever Bearing Shaft, 2.	9026	Lever With Idler and Nuts, 4.
3626	Rubber Foot, 2, 6.	9042	Lamp Release Rod (With Posts), 4.
3627	Spacer Bar, 6.	9575	Contact Screw Complete, 3.
3628	Outlet Bushing, 7.	71194	Perforator Feed Pawl Screw, 3.
3630	Outlet Bushing, 1.	71437	Washer, 3.
3632	Terminal, 3.	72592	Bracket, 5.
3633	Bushing (Brass), 3.	72593	Rod, 5.
3634	Bushing (Fibre), 3.		
3635	Washer (Fibre), 3.		
3636	Washer (Brass), 3.		
3638	1/2 M.F. Condenser, 2.		
3745	Post, 2, 7.		
5475	Nut 3/16-40 Hex., 3.		
6355	Rivet, 5.		
6359	Message Line Guide Complete, 5.		