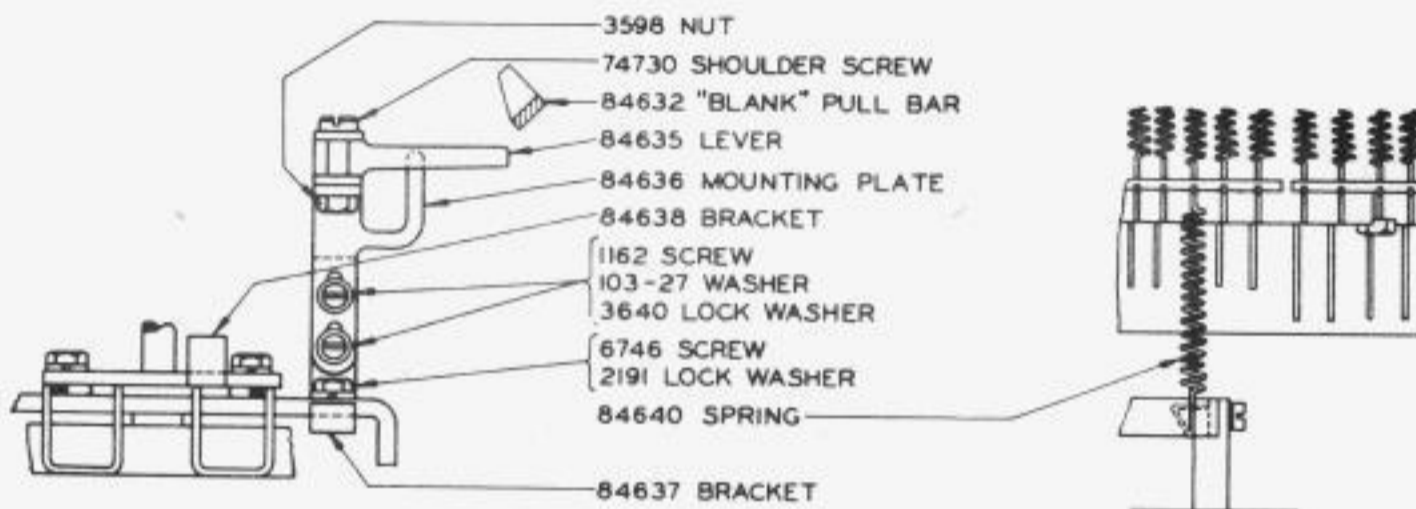


CHANGES IN BULLETINS
#1030 (ISSUE 2) PARTS - MODEL 14 TYPE BAR TAPE PRINTER
(STANDARD AND FOREIGN)
#1031 (ISSUE 2) PARTS - MODEL 14 TYPE BAR TAPE PRINTER
(BELL SYSTEM)

The #84660 set of parts, for converting model 14 printer sets, equipped with pneumatic keytops, to disseminate weather map data, consists of the following:
 #84641 set of parts, #84661 set of type bar pallets, and #84591 set of pneumatic keytops.

The #90102 set of parts, for converting model 14 printer sets, equipped with master speed keytops, to disseminate weather map data, consists of the following:
 #84641 set of parts, #84661 set of type bar pallets, and #90100 set of master speed keytops.



84641 SET OF PARTS TO PREVENT PRINTING AND
SPACING ON LOWER CASE BLANK COMBINATION.
 ALSO INCLUDES 84634 TYPE BAR (WITH PALLET -)

Description	Type Bar Pallets	Type Bars Without Pallets		Type Bars With Pallets	Pneumatic Keytops	Master Speed Keytops
	Catalog Number	Catalog Number	Number Stamped on Bar	Catalog Number		
V ⊕	84571	7424	4	84984	82763	89424
G \	84570	7425	5	84983	82755	89417
F →	84569	7427	7	84982	82754	89416
C ○	84568	7428	8	84981	82762	89423
D /	84567	7429	9	84980	82753	89415
J \	84566	7431	11	84979	82757	89419
A ↑	84565	7432	12	84978	82752	89414
N ⊕	84564	7435	15	84977	84070	89426
H ↑	84563	7438	18	84976	82756	89418
L \	84562	7439	19	84975	82759	89421
B ⊕	84561	7444	24	84974	82764	89425
K -	84560	7445	25	84973	82758	89420
Z +	84544	7446	26	84972	82760	89422
-	84558	84633	29	84634	84024	89413
CAR RET	84591 Set of Pneumatic Keytops					
LINE FEED						
	90100 Set of Master Speed Keytops					

CHANGES IN BULLETIN 1030 (ISSUE 2)
PARTS - MODEL 14 TYPE BAR TAPE PRINTER
(STANDARD AND FOREIGN)

Pages 1, 4, and 8

"6942 eccentric shoulder screw" should read "6942 eccentric screw".

Page 3

The 8539 screw, that is shown mounting the 6690 pull bar stripper, has been changed to 6746 screw, which is shorter, and the 3606 nut has been omitted.

The "6811 screw", shown at the end of the 7029 shaft, should read "6800 shoulder screw".

Page 4

A 2191 lock washer and a 3598 nut are now used with each of the 6998 posts on the 6997 selector mounting plate (with posts).

The 6689 separator plate used in the top position has been replaced by an 83920 top separator plate which is cut away for adjusting purposes.

Page 8

The 200-214 shim used with the 7386 post has been changed to 8896 shim.

Page 9

The 75217 line cord - standard has been changed to 8810 line cord - standard.

Page 13

Add the following ordering information:

72586 Motor, 1/17 H.P., 110 V., D.C. (Excludes parts marked) - G.E. Model 31531.

Parts for the 72586 motor are the same as the parts for the 6707 motor, except the armature, which may be ordered as 72587 armature (for 72586).

An 84047 stop, for the 7661 adjusting lever, and two 8330 washers have been added. This 84047 stop is positioned underneath the 8222 wearing strip and the two 8330 washers above the wearing strip, using the present 2191 lock washers and 6746 screws for mounting purposes.

Numerical Index

Page 21

Omit 200-214 shim, 8.

"1297 6-40 x 3/8 Screw, 10" should read "1297 6-40 x 2 7/16 Screw, 10".

Page 22

"6942 eccentric shoulder screw, 1, 4, 8" should read "6942 eccentric screw, 1, 4, 8".

Page 23

Add 8330 washer, 13.

Page 24

On 8539 6-40 x 1/2 Screw, omit reference to page 3.

Add: 8810 line cord - standard, 9.

Add: 8896 shim, 8.

Page 25

Add: 72586 motor, 1/17 H.P., 110 V., D.C., 13.

Add: 72587 armature (for 72586), 13.

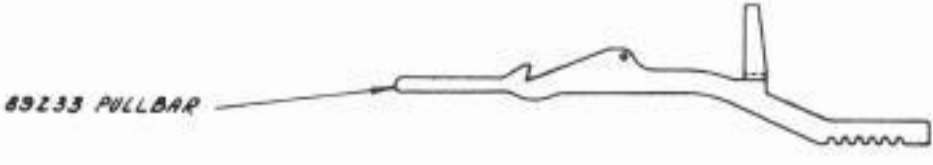
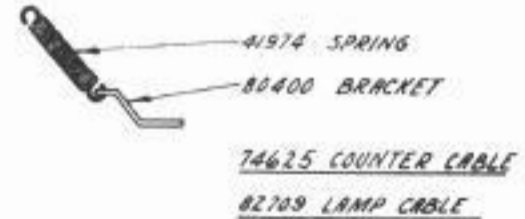
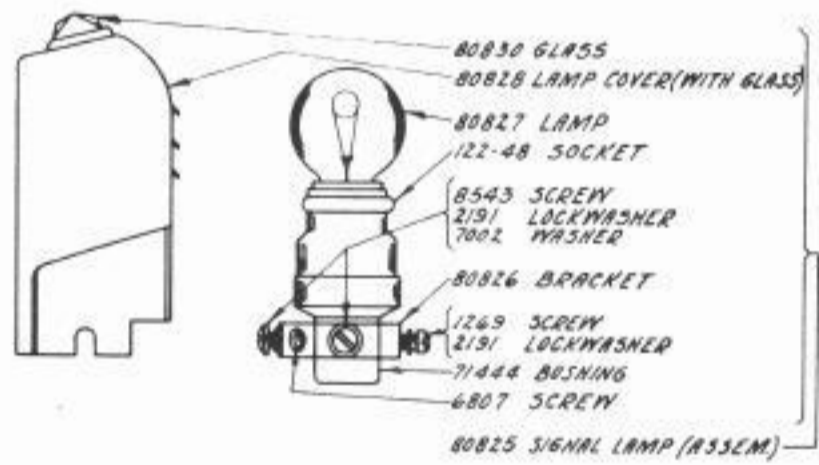
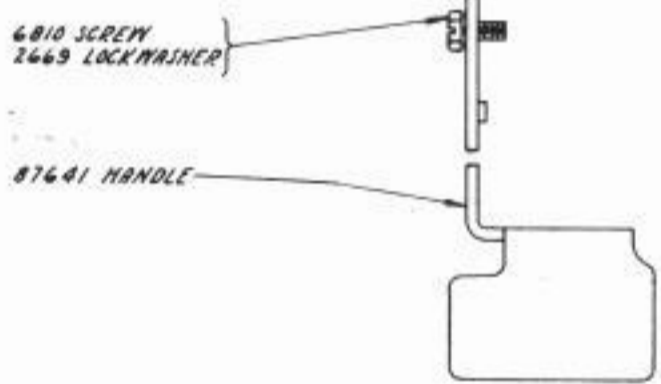
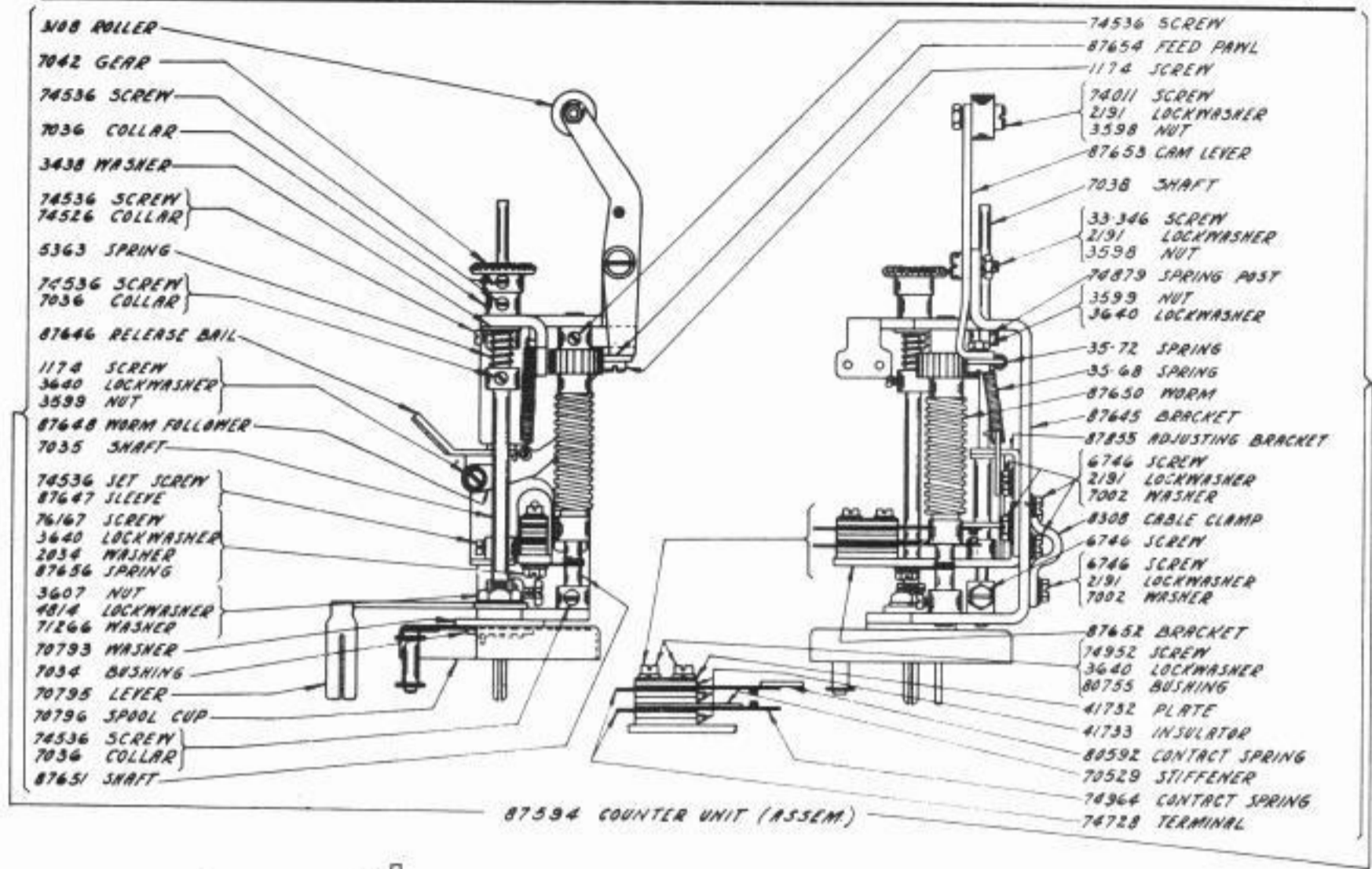
Page 26

Omit: 75217 line cord - standard, 9.

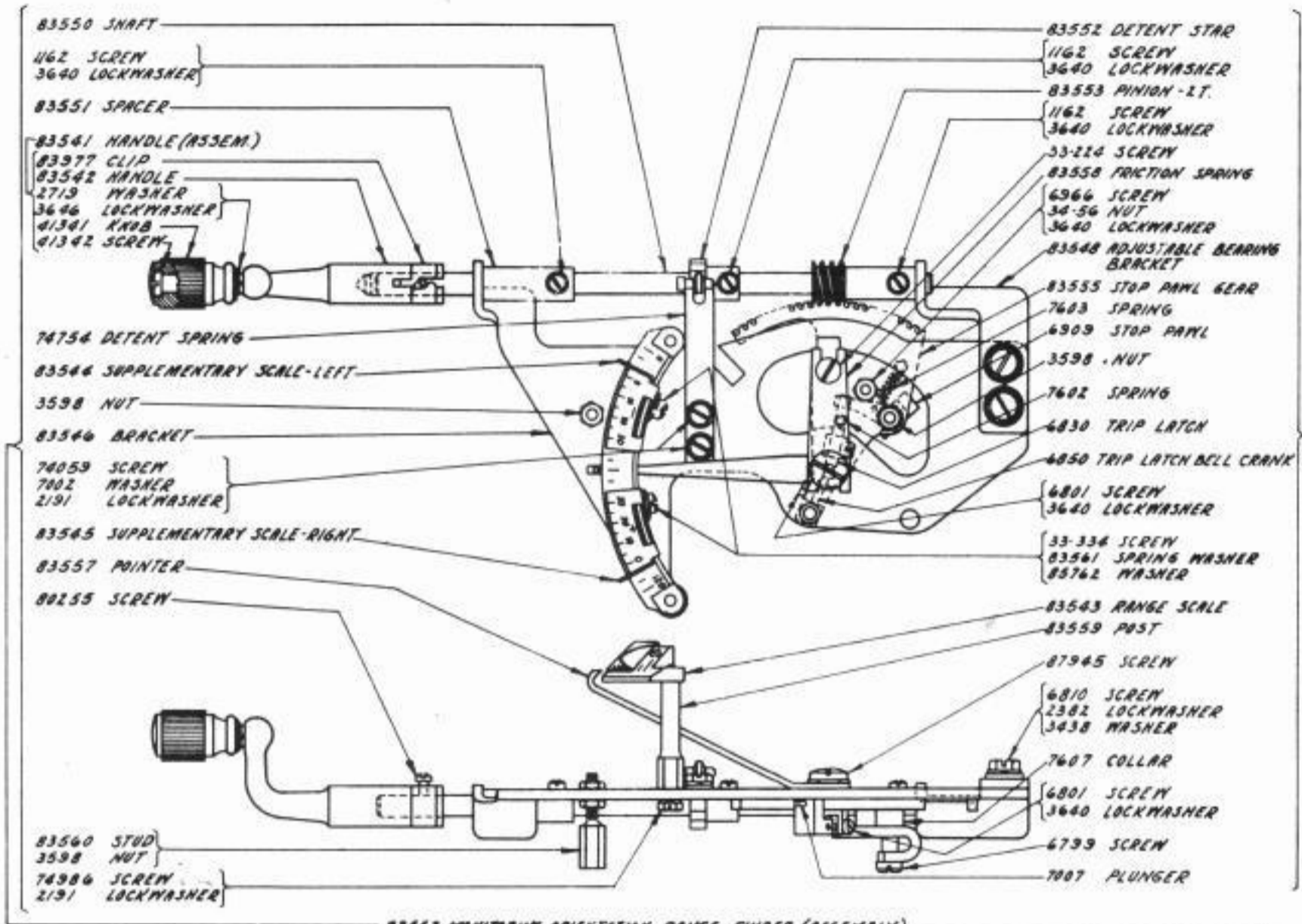
Page 27

Add: 83920 top separator plate, 4.

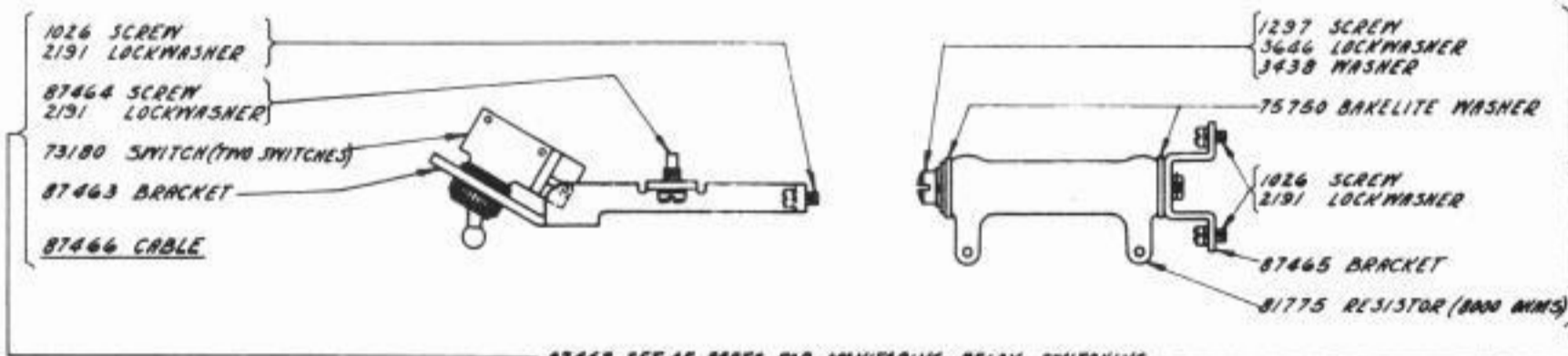
Add: 84047 stop, 13.



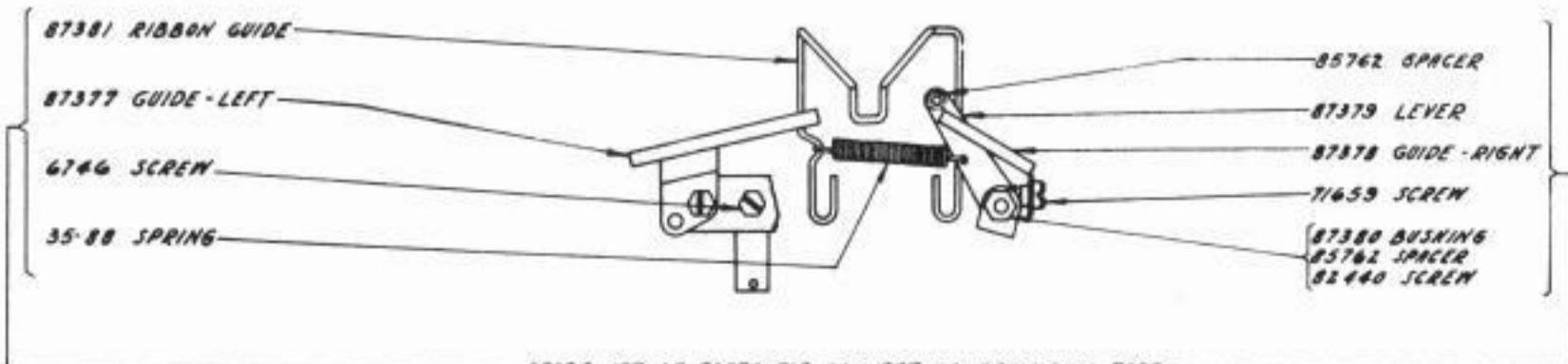
87593 SET OF PARTS FOR MECHANICAL END OF LINE INDICATOR.
(INCLUDES ALL PARTS SHOWN ON THIS PAGE)



83562 MONITORING ORIENTATION RANGE FINDER (ASSEMBLY)



87467 SET OF PARTS FOR MONITORING RELAY SWITCHING



87374 SET OF PARTS FOR CONVERTING FROM PULL TAPE FEED TO PUSH TAPE FEED.

CHANGES AND ADDITIONS
BULLETIN 1030 (ISSUE 2)
PARTS - TYPE BAR TAPE PRINTER
(MODEL 14)

THIS CORRECTION SHEET COVERS PARTS ORDERING INFORMATION FOR THE SILENCING PADS AND THEIR ASSOCIATED MOUNTING PARTS USED ON VARIOUS COVERS.

PAGE 14

COVER NUMBER	NEW CODE NUMBER	PARTS REQUIRED		
		PADS	RETAINERS	NUTS AND WASHERS
8682	C42	7364 - TOP 7456 - BEVEL 8684 - REAR 8685 - RIGHT	NONE	71646 NUT 7002 WASHER
8159	C36	8166 - FRONT 7981 - LEFT 8167 - RIGHT 8168 - REAR	8162 - FRONT LEFT 8161 - FRONT RIGHT 7962 - LEFT 7963 - RIGHT 8164 - REAR	7897 COTTER PIN 500-19 WASHER
8683	C43	7364 - TOP 7456 - BEVEL 8684 - REAR 8685 - RIGHT 73361 - LEFT	NONE	71646 NUT 7002 WASHER
72994	C10	SAME AS FOR 8683		
8154	C37	SAME AS FOR 8159		
73765	C48	SAME AS FOR 8682		
77232	C38	SAME AS FOR 8682		

CHANGES AND ADDITIONS
TO PARTS BULLETINS

TYPE BAR TAPE PRINTER
(MODEL 14)

1028, ISSUE 2, PAGE 4
1030, ISSUE 2, PAGE 4
1031, ISSUE 3, PAGE 5
1048, ISSUE 2, PAGE 3

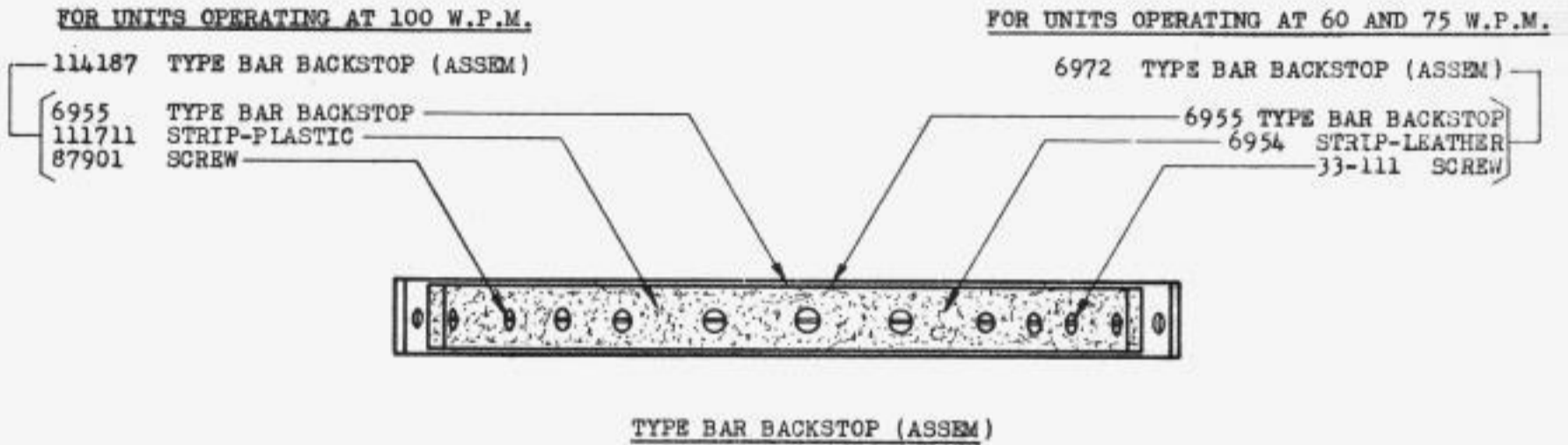
TYPING REPERFORATOR
(MODEL 14)

1082, ISSUE 2, PAGE 17
1088, ISSUE 2, PAGE 9
1100, ISSUE 2, PAGE 7
1117, ISSUE 2, PAGE 6

REPERFORATOR TRANSMITTER
(MODEL 14)

1108, ISSUE 1, PAGE 9
1126, ISSUE 1, PAGE 9

THE 6972 TYPE BAR BACKSTOP ASSEMBLY HAS BEEN REPLACED BY A 114187 TYPE BAR BACKSTOP ASSEMBLY ON 100 WORDS PER MINUTE MACHINES AND DIFFERS AS SHOWN IN THE SKETCH BELOW:



SCREWS ARE NOT INTERCHANGEABLE BETWEEN THE TWO STYLE PARTS.

ALTHOUGH BOTH STYLE PARTS CAN BE USED INTERCHANGEABLY (WITH THE PROPER SCREWS), IT HAS BEEN FOUND THAT THE BALANCE OF LIFE IS IN FAVOR OF LEATHER FOR THE SLOWER SPEEDS AND IN FAVOR OF THE PLASTIC AT THE HIGHER SPEED.

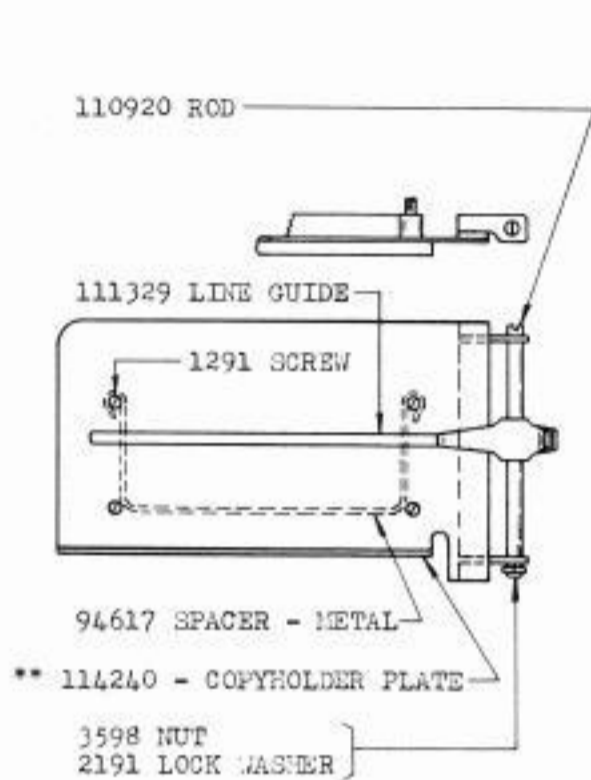
CARBON TETRACHLORIDE, COMPOUNDS OF THIS SOLVENT, OR WATER SHOULD NOT BE USED IN CLEANING UNITS HAVING THE PLASTIC BACKSTOPS AS THEY CAUSE DETERIORATION OF THE PLASTIC MATERIAL.

1025	ISSUE 3	1037	ISSUE 4	1082	ISSUE 2	1110	ISSUE 2
1028	ISSUE 2	1048	ISSUE 2	1088	ISSUE 2	1114	ISSUE 1
1030	ISSUE 2	1063	ISSUE 2	1090	ISSUE 2	1117	ISSUE 2
1031	ISSUE 3	1067	ISSUE 2	1094	ISSUE 2		

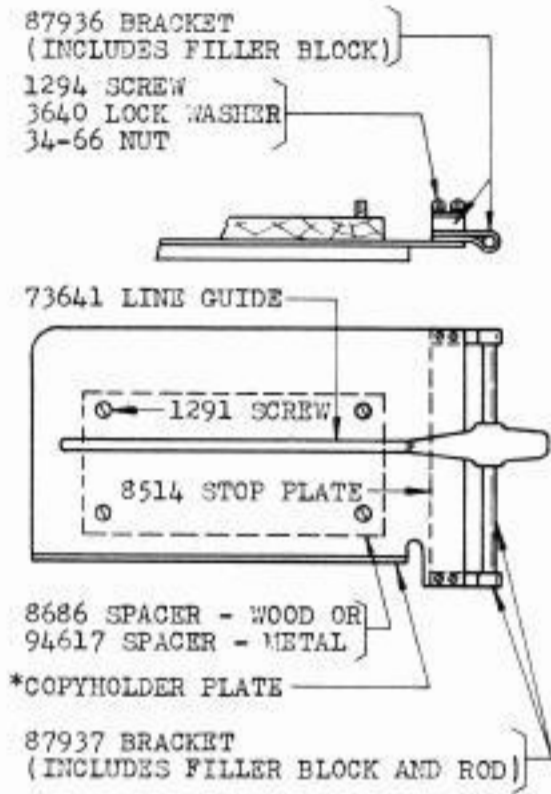
THE 6" COPYHOLDER ASSEMBLIES SHOWN IN THE ABOVE BULLETINS HAVE BEEN REDESIGNED AND ASSIGNED NEW ASSEMBLY NUMBERS. THE SKETCHES BELOW ILLUSTRATE THE DIFFERENCE BETWEEN THE NEW AND OLD ASSEMBLIES, WHICH ARE INTERCHANGEABLE, AND THE CHART LISTS THE NEW AND OLD ASSEMBLY NUMBERS.

THE 8686 SPACER (WOOD) IS NO LONGER AVAILABLE, 94617 SPACER (METAL) WILL BE FURNISHED INSTEAD.

THE 73641 LINE GUIDE HAS BEEN REPLACED BY 111329 LINE GUIDE, WHICH HAS THE CLIP HANDLE BENT FORWARD TO FACILITATE OPERATING THE GUIDE FROM THE FRONT RATHER THAN FROM THE SIDE.



NEW STYLE 6" COPYHOLDER (ASSEM.)



OLD STYLE 6" COPYHOLDER (ASSEM.)

NEW ASSEMBLY		FINISH		OLD ASSEMBLY	
NUMBER	SPACER	COLOR	SUFFIX	NUMBER	SPACER
115700AA	METAL	BLACK WRINKLE	AA	91752	WOOD
115700AB	METAL	GRAY GREEN WRINKLE	AB	-	METAL
115700AC	METAL	LIGHT BROWN WRINKLE	AC	101868	WOOD
115700AD	METAL	DARK BROWN WRINKLE	AD	113419	METAL
115700BA	METAL	BLACK HIGH GLOSS	BA	74833	WOOD
115700BA	METAL	BLACK HIGH GLOSS	BA	101276	METAL
115700BC	METAL	OLIVE GREEN	BC	80888	WOOD
115700CA	METAL	WALNUT	CA	74832	WOOD
115700CA	METAL	WALNUT	CA	101275	METAL
115700CB	METAL	MAHOGANY	CB	81881	WOOD
115700CB	METAL	MAHOGANY	CB	***84922	WOOD
115700CB	METAL	MAHOGANY	CB	101277	METAL

* THE OLD STYLE COPYHOLDER PLATE IS NO LONGER AVAILABLE. WHEN IT BECOMES NECESSARY TO REPLACE AN OLD STYLE COPYHOLDER PLATE A NEW STYLE COPYHOLDER PLATE ALONG WITH ONE 110920 ROD, ONE 2191 LOCK WASHER AND ONE 3598 NUT SHOULD BE ORDERED INSTEAD.

** ON ORDERS FOR NEW STYLE COPYHOLDER PLATES, CUSTOMER MUST INDICATE THE COLOR OF FINISH DESIRED BY ADDING A TWO-LETTER SUFFIX TO THE COPYHOLDER PLATE PART NUMBER. FOR EXAMPLE: ORDER "114240CA COPYHOLDER PLATE" WHEN A WALNUT FINISH COPYHOLDER PLATE IS DESIRED. (SEE "FINISH" COLUMN IN CHART ABOVE FOR FINISHES AND THEIR RESPECTIVE SUFFIXES.)

*** THE 84922 COPYHOLDER ASSEMBLY (USED ON WHEATSTONE PERFORATOR COVER - WOOD) WAS LIKE 81881 COPYHOLDER ASSEMBLY, EXCEPT HAVING LONGER MOUNTING SCREWS. IN THE FUTURE, A STANDARD COPYHOLDER ASSEMBLY WILL BE FURNISHED IN PLACE OF 84922, AND THE LONGER MOUNTING SCREWS WILL BE INCLUDED WITH THE WHEATSTONE PERFORATOR COVER.

1
744

CHANGES AND ADDITIONS
TO THE FOLLOWING PARTS BULLETINS

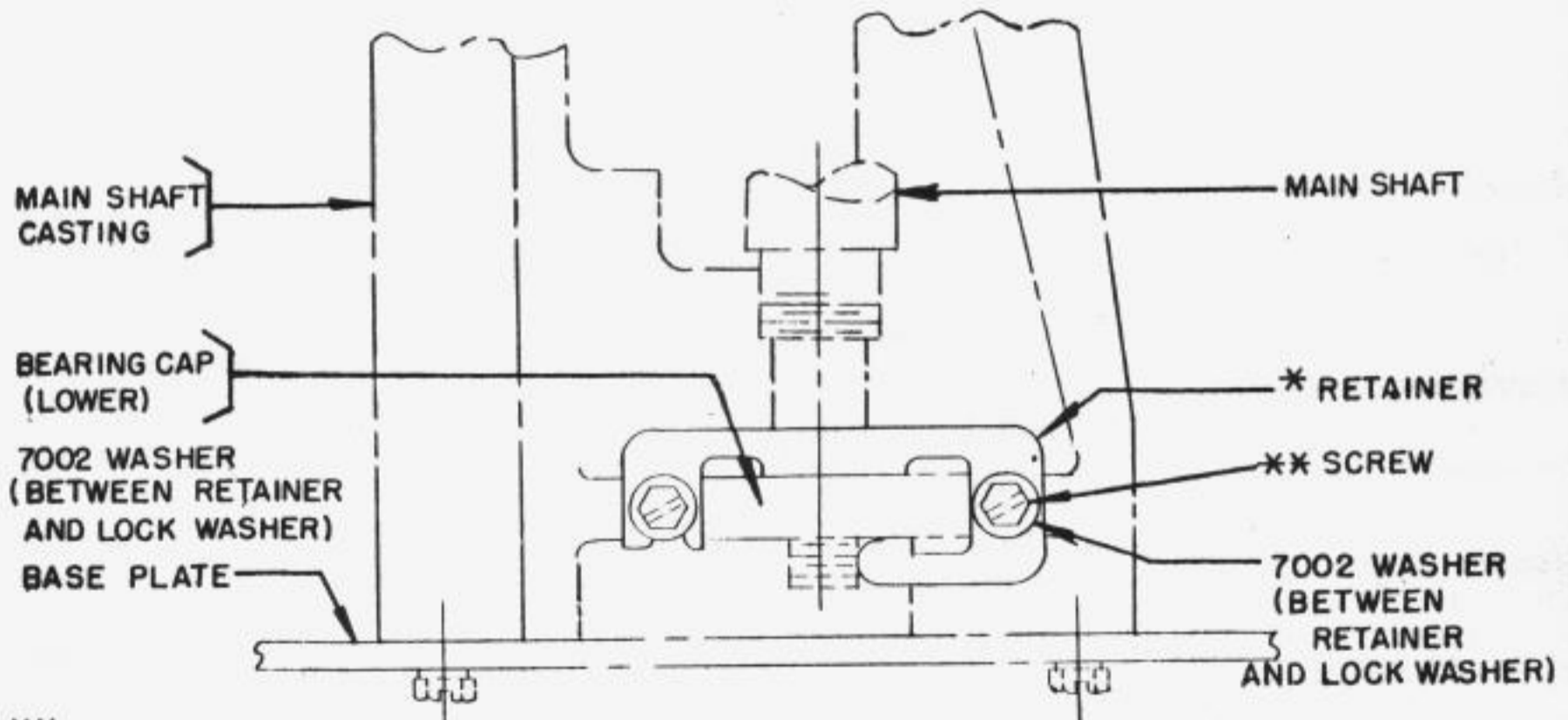
<u>Model 14 Printers</u>	<u>Model 14 Typing Reperforators</u>	<u>Model 14 Non-Typing Selectors</u>	<u>Model 14 Typing Reperforator Transmitter</u>	<u>Multiple Reperforator</u>
1028 Issue 2	1082 Issue 2	1083 Issue 1	1108 Issue 2	1130 Issue 1
1030 Issue 2	1088 Issue 2	1107 Issue 1	1126 Issue 1	
1031 Issue 3	1100 Issue 2	1116 Issue 1		
	1117 Issue 2			

On units operating at high speed or after prolonged use, the main shaft shown in the above bulletins may have a tendency to shift under the bearing caps.

In order to prevent this, two 7002 washers have been added on the upper bearing cap; two 7002 washers and a * retainer have been added on the lower bearing cap and should be mounted as shown below:

- * 120895 retainer (for Bulletin 1130 only)
- * 117387 retainer (for all other bulletins)

** Units with serial numbers lower than 70,000 require 105960 screws (6-40 x 11/16) in place of the 72508 (formerly 6811-6-40 x 5/8) screws (6-40 x 3/4). When the threads of the tapped holes in the 7610 main shaft bracket become damaged a 124613 steel insert may be ordered.



** INDICATES CHANGE

LOWER PORTION OF MAIN SHAFT CASTING

CHANGES AND ADDITIONS
TO PARTS BULLETINS
SHOWN BELOW

In order to facilitate identification of selector cam sleeve assemblies they are stamped with identifying letters. The chart below shows the cam sleeve assembly numbers and identifying letters.

BULLETIN NUMBER	TYPE OF APPARATUS	CAM SLEEVE ASSEMBLY NUMBER	STAMPED WITH LETTERS
1028 Issue 2 1030 Issue 2 1031 Issue 3 1048 Issue 2	Type Bar Tape Printer (Model 14)	#8507	CX
1082 Issue 2 1088 Issue 2 1100 Issue 2 1117 Issue 2	Typing Reperforator (Model 14)	#8507 **91265	CX MX
1108 Issue 1 1126 Issue 1	Reperforator Transmitter (Model 14)	**91265	MX
1130 Issue 1	Multiple Reperforator (MRPE)	**111506	QX
1083 Issue 1 1107 Issue 1	Non-Typing Selector (Model 14)	**91265	MX
1072 Issue 2	Regenerator Unit & Panel (RED)	**90010	HX
1121 Issue 1	Multiplex Extensor Unit (AME)	**103891	PX
1064 Issue 2 1080 Issue 1	Reperforator	Model 14 #86158 Model 20 #91020	GX LX
(A) 1037 Issue 4 (B) 1063 Issue 2 1094 Issue 2 1110 Issue 2 (A) 1114 Issue 1	Type Bar Page Printer	Model 15 #8507 **91265 Model 20 #91019	CX MX KX
1073 Issue 1	Type Wheel Page Printer (Model 24)	**90493	JX
1074 Issue 2	Type Wheel Page Printer (Model 26)	**92954	NX

- (A) In Bulletins 1037 and 1114, Page 3, the stamping for the 8507 and 91265 cam sleeve assemblies should read "CX" and "MX" respectively.
 (B) In Bulletin 1063, top of Page 27, the stamping for the 91019 should read "KX".
 * For use with "Pulling Magnet Selectors".
 ** For use with "Holding Magnet Selectors".

CHANGES AND ADDITIONS
TO THE FOLLOWING PARTS BULLETINS

1028	1064	1095	1107	1122	1133
1030	1072	1096	1108	1123	1137
1031	1079	1101	1109	1125	1141
1036	1080	1102	1110	1126	1143
1041	1082	1103	1116	1127	1144
1048	1083	1104	1117	1130	1145
1051	1084	1105	1119	1131	
1063	1087	1106	1120	1132	

Correction Sheet 650EE Issue 1 which covers parts ordering information for Teletype standard motors, center contact governors, governor brushes, and speed adjusting brackets associated with apparatus cataloged in the bulletins listed above, has been revised and reissued as Bulletin 1147B. Where any of the bulletins listed above refer to Correction Sheet 650EE, use Bulletin 1147B instead.

ADDITION TO PARTS BULLETINS
LISTED BELOW

1028 (Issue 2)	1080 (Issue 1)	1114 (Issue 1)
1039 (Issue 2)	1082 (Issue 2)	1116 (Issue 1)
1031 (Issue 3)	1083 (Issue 1)	1117 (Issue 2)
1037 (Issue 4)	1088 (Issue 2)	1121 (Issue 1)
1063 (Issue 2)	1094 (Issue 2)	1126 (Issue 1)
1064 (Issue 2)	1100 (Issue 2)	1130 (Issue 1)
1072 (Issue 2)	1107 (Issue 1)	1141 (Issue 1)
1073 (Issue 1)	1108 (Issue 2)	1142 (Issue 1)
1074 (Issue 2)	1110 (Issue 2)	1143 (Issue 1)

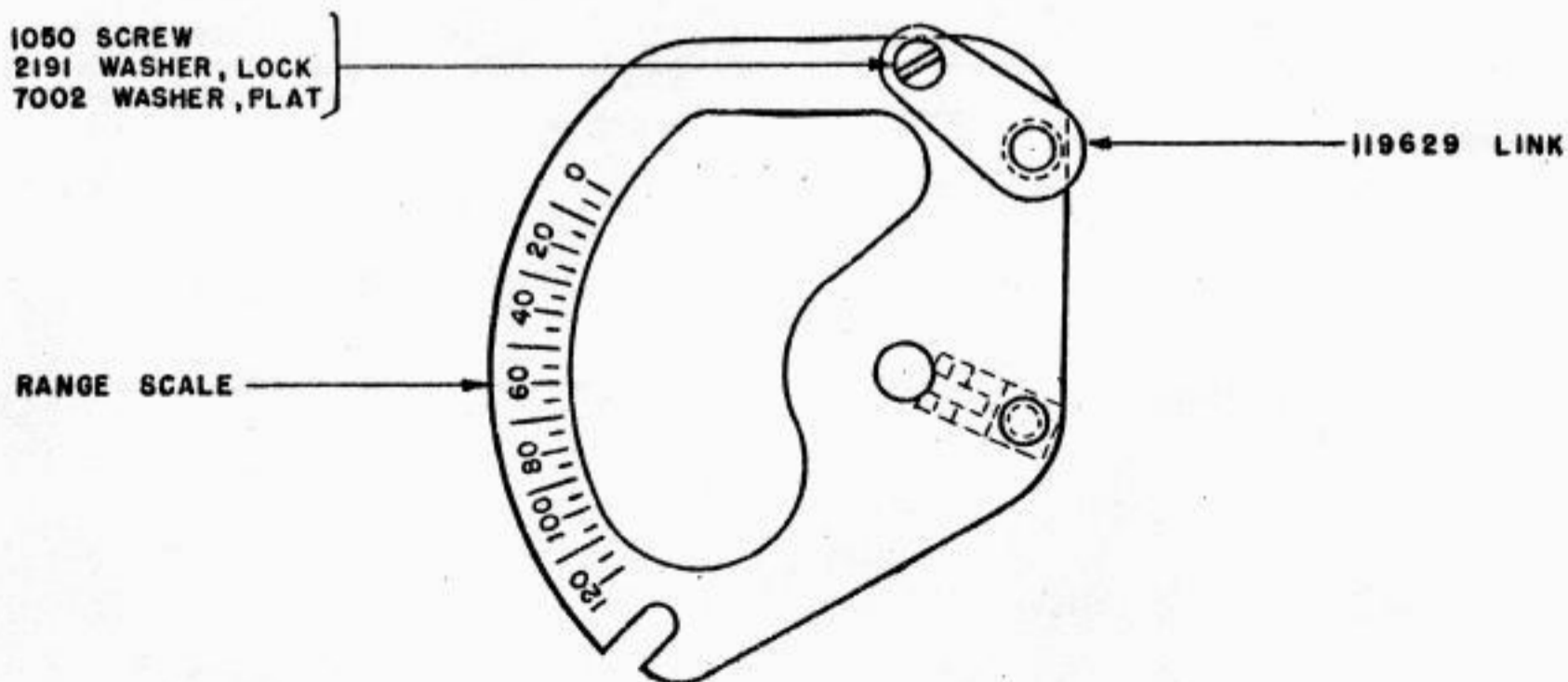
This correction sheet covers parts ordering information for the Adjustable Range Scale assembly. This assembly includes an adjusting link that mounts on the 90775 modified range scale to allow regulation of the engagement between the stop arm on the selection cam sleeve and the stop lever on the range scale assembly.

In the bulletins listed above, and in connection with each range scale assembly shown (71696, 83562, 86154, 90086, 90775, or 90776 depending on the unit), add the following parts:

119629	Link
1050	Screw
2191	Lock Washer
7002	Washer

The part numbers of the other equipment in the assembly are unchanged. The Adjustable Range Scale Assembly replaces the previous Range Scale Assembly, and orders for the old part numbers will be filled accordingly.

The two assemblies are interchangeable on the printer. Due to the modifications in the range scale, however, it is necessary to order a complete assembly to convert existing apparatus.



CHANGES IN TELETYPE
PART AND ASSEMBLY NUMBERS

In order to facilitate the use of automatic business machines in the conduct of its business, Teletype Corporation finds it necessary to eliminate all of its present part and assembly numbers containing dashes and/or letter prefixes. Such numbers have been replaced by others having 3 to 6 digits which may have a one-letter or a two-letter suffix.

The prefixes used with magnet, packing material, raw material such as wire in bulk, Teletype literature and wiring diagram numbers have been changed to suffixes, and in the case of bulletins and instruction manuals a suffix has been added to identify the items without reference to descriptions as shown in the following illustrations:

<u>Old Designation</u>	<u>New Designation</u>	<u>Description</u>
M121	121M	Magnet
PK10718	10718PK	Carton
RM31571	31571RM	Wire
121	121B	Bulletin
EE121	121EE	Correction Sheet
121	121MA	Instruction Manual
WD2186	2186WD	Wiring Diagram
S5037	5037S	Specification
S5333A	5333SA	Specification
S5333B	5333SB	Specification

All Teletype parts bulletins and price lists will eventually be changed to show the new as well as the old numbers for the convenience of Teletype Corporation customers.

When an item is ordered under an old number, the new number will be substituted for the old one and the old number will be shown immediately after the description of the items on all shipping papers and invoices.

Attached are two conversion lists of the active numbers involved; one with the old numbers and descriptions arranged numerically and the other with the new numbers arranged numerically. It is to be noted that some of the new numbers have already been used in Teletype parts catalogs.

Many numbers containing dashes cover parts considered obsolete and are not included in the attached lists. Occasionally one of these parts is reinstated, in which case the part will be shipped under the new number with the dash number shown immediately after the description. It is not intended to add such numbers to the correction sheet lists unless the part is to be commonly used.

OLD TO NEW NUMBER CONVERSION LIST

Old No.	New No.	Description	Old No.	New No.	Description	Old No.	New No.	Description
2-3	125100	Washer	33-88	125140	Screw	33-257	125193	Screw
4-4	125101	Stud	33-89	125141	Screw	33-264	125194	Screw
4-8	74879	Stud	33-98	125142	Screw	33-267	125182	Screw
4-11	125102	Stud	33-101	125143	Screw	33-270	87636	Screw
6-1	125103	Thumb Wheel	33-108	125144	Screw	33-271	125195	Screw
6-2	125104	Sleeve	33-110	110434	Screw	33-272	125004	Screw
23-8	125105	Terminal	33-111	49054	Screw	33-274	125196	Screw
25-21	125106	Stud	33-114	125146	Screw	33-275	126250	Spring
26-19	125107	Dowel	33-121	125147	Screw	33-276	125197	Screw
33-1	1157	Screw	33-123	125148	Screw	33-278	125199	Screw
33-2	125108	Screw	33-130	125149	Screw	33-280	125005	Screw
33-3	1158	Screw	33-132	125001	Screw	33-282	125200	Screw
33-4	1263	Screw	33-135	125150	Screw	33-283	125201	Screw
33-5	1159	Screw	33-141	125151	Screw	33-285	125202	Screw
33-6	1160	Screw	33-143	125152	Screw	33-289	125203	Screw
33-7	1161	Screw	33-151	125153	Screw	33-290	1299	Screw
33-8	125109	Screw	33-153	125154	Screw	33-296	125205	Screw
33-9	125110	Screw	33-156	1162	Screw	33-311	110742	Screw
33-10	1162	Screw	33-157	1174	Screw	33-333	125006	Screw
33-11	1163	Screw	33-158	125155	Screw	33-334	112622	Screw
33-12	125111	Screw	33-162	125156	Screw	33-335	112623	Screw
33-13	5740	Screw	33-163	125157	Screw	33-336	125206	Screw
33-14	1164	Screw	33-167	125158	Screw	33-337	112624	Screw
33-15	125112	Screw	33-168	125159	Screw	33-339	125207	Screw
33-16	1165	Screw	33-169	1175	Screw	33-340	125208	Screw
33-17	1166	Screw	33-170	112621	Screw	33-341	125209	Screw
33-18	125113	Screw	33-175	125160	Screw	33-344	125211	Screw
33-19	1167	Screw	33-176	125161	Screw	33-346	125212	Screw
33-21	112620	Screw	33-179	125002	Screw	33-347	112625	Screw
33-22	125114	Screw	33-180	125162	Screw	33-348	125213	Screw
33-23	125115	Screw	33-185	125163	Screw	33-349	125214	Screw
33-29	125116	Screw	33-193	125164	Screw	33-350	125215	Screw
33-32	125117	Screw	33-194	125165	Screw	33-356	125216	Screw
33-35	1168	Screw	33-195	1176	Screw	33-360	1181	Screw
33-36	125118	Screw	33-196	125166	Screw	33-362	125217	Screw
33-37	1169	Screw	33-197	125167	Screw	34-1	125218	Nut
33-38	125119	Screw	33-198	125168	Screw	34-2	3595	Nut
33-39	1222	Screw	33-202	125169	Screw	34-3	125219	Nut
33-41	125120	Screw	33-206	125003	Screw	34-4	112626	Nut
33-42	125121	Screw	33-207	125170	Screw	34-5	5475	Nut
33-43	125122	Screw	33-208	125171	Screw	34-6	3597	Nut
33-45	125123	Screw	33-209	125172	Screw	34-7	70073	Nut
33-49	1170	Screw	33-210	125173	Screw	34-8	3598	Nut
33-50	125124	Screw	33-211	125174	Screw	34-9	3599	Nut
33-51	125125	Screw	33-212	125175	Screw	34-10	125220	Nut
33-53	1171	Screw	33-213	125176	Screw	34-11	112627	Nut
33-54	1172	Screw	33-217	125177	Screw	34-12	55257	Nut
33-57	125126	Screw	33-224	125178	Screw	34-13	125221	Nut
33-58	125127	Screw	33-225	125179	Screw	34-14	5815	Nut
33-59	125128	Screw	33-227	125180	Screw	34-16	125222	Nut
33-60	125129	Screw	33-228	125181	Screw	34-19	125223	Nut
33-63	125130	Screw	33-234	1177	Screw	34-24	125224	Nut
33-64	1173	Screw	33-235	125183	Screw	34-25	3600	Nut
33-65	125131	Screw	33-236	125184	Screw	34-27	125225	Nut
33-69	1223	Screw	33-237	1178	Screw	34-28	3602	Nut
33-70	125132	Screw	33-238	1179	Screw	34-29	3603	Nut
33-72	125133	Screw	33-240	86850	Screw	34-35	125226	Nut
33-73	125134	Screw	33-241	125185	Screw	34-39	125227	Nut
33-74	125000	Screw	33-244	125186	Screw	34-41	125228	Nut
33-75	125135	Screw	33-245	125187	Bolt	34-48	125229	Nut
33-78	110741	Screw	33-250	125188	Screw	34-50	3604	Nut
33-79	125136	Screw	33-252	125189	Screw	34-51	1036	Nut
33-82	125137	Screw	33-253	125190	Screw	34-53	3605	Nut
33-85	125138	Screw	33-254	125191	Screw	34-54	125230	Nut
33-86	125139	Screw	33-255	125192	Screw	34-55	3606	Nut

Old No.	New No.	Description	Old No.	New No.	Description	Old No.	New No.	Description
34-56	110435	Nut	36-38	125275	Pin	100-79	125327	Screw
34-58	125231	Nut	36-39	125276	Pin	100-80	125328	Bushing
34-59	125009	Nut	36-45	125277	Pin	100-81	125329	Bushing
34-60	125232	Nut	36-51	125278	Pin	100-84	125330	Screw
34-61	125233	Nut	36-56	3614	Pin	100-85	3621	Terminal
34-62	125234	Nut	36-72	125279	Pin	100-88	9574	Screw
34-63	2723	Nut	36-73	125280	Pin	100-92	125331	Bushing
34-64	112628	Nut	36-80	125281	Pin	100-93	125332	Terminal
34-66	125235	Nut	36-85	125282	Pin	100-96	110441	Shim
35-1	112629	Spring	36-103	125283	Pin	100-97	3623	Washer
35-2	112630	Spring	36-104	125284	Pin	100-100	125333	Pole Piece
35-8	112631	Spring	36-105	125285	Rivet	100-101	125334	Pole Piece
35-13	125236	Spring	36-106	125286	Pin	100-106	125335	Spring
35-16	125237	Spring	36-109	125287	Pin	100-108	3624	Washer
35-23	125238	Spring	36-110	125288	Pin	100-109	125336	Spring Assem.
35-24	125239	Spring	36-113	125289	Pin	100-110	125337	Spring
35-26	125240	Spring	36-114	125290	Pin	100-111	125338	Spring
35-27	125241	Spring	36-120	125269	Pin	100-112	125339	Terminal
35-28	125242	Spring	36-124	125291	Pin	100-113	125340	Eyelet
35-33	112632	Spring	36-131	125092	Dowel	100-120	125341	Bushing
35-34	125243	Spring	36-132	125292	Pin	100-145	125343	Strip
35-40	125244	Spring	36-134	125293	Pin	100-148	125344	Terminal
35-42	110436	Spring	36-136	125294	Pin	100-151	125345	Spool
35-43	125245	Spring	36-137	3614	Pin	100-152	125346	Screw
35-47	125246	Spring	36-139	125295	Pin	100-153	125347	Screw
35-48	125247	Spring	36-146	110439	Pin	100-159	125348	Terminal
35-52	4702	Spring	36-147	125296	Pin	100-167	125349	Terminal
35-53	125248	Spring	36-150	125297	Pin	100-173	125350	Contact Point
35-54	112633	Spring	36-151	125298	Pin	100-178	125351	Terminal Block
35-58	3608	Spring	36-152	3615	Pin	100-179	125352	Terminal
35-66	125249	Spring	36-153	110440	Pin	100-187	125353	Terminal
35-68	125250	Spring	36-154	125299	Pin	100-188	125354	Terminal Block
35-69	125251	Spring	36-164	125300	Pin	100-217	125355	Relay Spool
35-70	110437	Spring	36-165	125301	Pin	100-218	125356	Terminal
35-71	125252	Spring	36-170	125302	Pin	100-219	125357	Terminal
35-72	125253	Spring	36-172	125303	Pin	100-220	125358	Terminal
35-78	125254	Spring	36-173	3616	Pin	100-227	125359	Washer
35-80	125255	Spring	36-174	125304	Rivet	100-228	125360	Washer
35-84	125256	Spring	43-10	125306	Stop	100-234	125361	Washer
35-85	125257	Spring	43-12	71047	Washer	100-235	125362	Washer
35-86	4703	Spring	46-3	125307	Washer	100-246	125363	Screw
35-87	4708	Spring	47-2	125308	Buffer Assem.	100-253	125364	Spring
35-88	110438	Spring	47-4	125309	Buffer	100-254	125365	Spring
35-89	112634	Spring	47-5	125310	Screw	100-255	125366	Bushing
35-99	125258	Spring	52-4	125099	Washer	100-256	125367	Washer
35-101	125259	Spring	52-5	125311	Buffer	100-257	125368	Washer
35-104	125260	Spring	54-3	125312	Washer	103-27	125011	Washer
35-111	125261	Spring	61-7	3618	Insulator	103-75	125369	Resistor
35-116	125262	Spring	61-9	125313	Washer	103-77	125370	Resistor
35-123	125263	Spring	61-10	125314	Screw	103-102	125371	Screw
35-124	125264	Spring	61-12	125315	Washer	103-151	125372	Pinion
35-125	125265	Spring	61-21	125316	Screw	112-7	125373	Screw
35-126	3610	Spring	61-24	125010	Washer	112-8	125374	Screw
35-129	3611	Spring	61-25	125317	Insulator	112-64	125375	Screw
35-131	125266	Spring	80-1	125318	Tube	120-20	125376	Washer
35-132	125267	Spring	80-2	125319	Terminal	122-5	125379	Post
35-133	125268	Spring	80-3	125320	Washer	122-11	125380	Chute
35-134	4705	Spring	80-4	125321	Pole Piece	122-12	125381	Stud
35-137	112635	Spring	80-5	125322	Magnet Core	122-18	125382	Cable
35-140	112636	Spring	100-70	125323	Magnet Core	S-122-19	125383	Bracket
36-19	125270	Pin	100-71	125324	Magnet Core	S-122-20	125384	Bracket
36-23	125271	Pin	100-72	125325	Terminal	S-122-21	125385	Bracket
36-24	125272	Pin	100-73	125326	Washer	S-122-22	125386	Bracket
36-28	125273	Pin	100-74	5816	Washer	S-122-23	125387	Bracket
36-35	125274	Pin	100-75	3620	Washer	S-122-24	125388	Bracket

Old No.	New No.	Description	Old No.	New No.	Description	Old No.	New No.	Description
122-25	125389	Bracket	122-133	125450	Post	122-381	125505	Lever
122-26	125390	Washer	S-122-134	125451	Bell Crank	122-382	125506	Bail
122-27	125391	Shaft	122-135	125452	Washer	122-383	125507	Key Lever
122-28	125392	Stop	S-122-136	125453	Bracket	122-384	112640	Die Block
122-29	125393	Pin	122-137	125454	Gear Assem.	122-386	125508	Bail Assem.
122-35	125394	Plate	122-139	125455	Pin	122-387	125509	Cover
122-36	125395	Pin	122-140	125456	Stud	122-388	125510	Hinge
S-122-37	125396	Guide	122-143	125457	Connector	122-389	125511	Pawl Assem.
S-122-38	125397	Bar	122-146	125458	Bearing	122-390	125512	Contact Assem.
S-122-39	3625	Shaft	122-147	125459	Bushing	122-392	125509BC	Cover
S-122-40	125398	Bracket	W-122-152	125798	Key Assem.	122-396	125514	Hammer Assem.
122-41	125399	Roller	122-192	125461	Cup	122-397	125515	Hinge
122-42	125400	Gear	122-193	125462	Washer	122-399	125516	"Blank" Comb
122-43	125401	Gear	122-194	125463	Disk	122-400	125517	Comb
122-46	125402	Post	122-195	125464	Disk	122-401	125518	Comb
122-48	125012	Socket	122-196	125465	Bezel	122-402	125519	Comb
122-49	125403	Fitting	S-122-234	3627	Bar	122-403	125520	Comb
122-50	125404	Lamp	122-241	125466	Roller	122-404	125521	Comb
122-51	125405	Bell Crank	122-242	125467	Lever Assem.	122-405	125522	Comb
122-52	125406	Bell Crank	122-244	125468	Post	122-406	125523	Comb
122-53	125407	Bell Crank	122-245	125469	Pawl	122-407	125524	Comb
122-54	125408	Bell Crank	122-246	125470	Post	122-408	125525	Comb
122-55	125409	Bell Crank	122-247	125471	Disk Assem.	122-409	125526	Comb
122-56	125410	Bushings	122-249	125472	Stud	122-410	125527	Comb
122-57	125411	Bushings	122-250	125473	Spool Assem.	122-411	125528	Comb
122-58	125412	Stud	122-251	125474	Tube	122-412	125529	Comb
122-60	125413	Ratchet	122-252	125475	Terminal End	122-413	125530	Comb
122-61	125414	Post	122-253	125476	Magnet Spool	122-414	125531	Comb
122-62	125415	Pin	122-254	125477	Core	122-415	125532	Comb
122-63	125416	Post	122-257	125478	Plunger	122-416	125533	Comb
122-65	125417	Stud	122-259	125479	Disk	122-417	125534	Comb
122-67	125418	Post	122-260	125480	Hub	122-418	125535	Comb
122-68	3626	Foot	122-275	125481	Bracket	122-419	125536	Comb
S-122-69	125419	Stop	122-276	125013	Plate	122-420	125537	Comb
122-80	125420	Guide	122-290	125482	Terminal End	122-421	125538	Comb
122-84	125421	Pin	122-337	125014	Washer	122-422	125539	Comb
122-86	125422	Pin	122-345	119959BC	Container Assem.	122-423	125540	Comb
122-88	125423	Solenoid Assem.	122-346	125484	Plate	122-424	125541	Comb
122-89	125424	Bracket	122-347	125485	Guard	122-425	125542	Comb
122-94	125425	Terminal Board	122-348	126247	Bracket	122-426	125543	Comb
122-95	125426	Insulator	122-349	125486	Pivot	122-427	125544	Comb
122-97	125427	Bushing	122-350	125487	Tape Reel	122-428	125545	Comb
122-100	125428	Plate	122-352	805208C	Cover	122-429	125546	Comb
122-101	125429	Head	122-354	126248	Shelf	122-430	125547	Comb
122-102	125430	Post	122-355	126249	Bracket	122-431	125548	Paper Keytop
122-106	125431G	Bracket Assem.	122-356	805238C	Cover	122-432	125549	Paper Keytop
122-106G	125432	Bracket Assem.	122-357	125488	Spacer	122-433	125550	Paper Keytop
122-107	125433	Bracket	122-358	125489	Bracket	122-434	125551	Paper Keytop
122-108	125434	Bushing	122-359	125490	Ratchet	122-435	125552	Paper Keytop
122-111	125435	Screw	122-363	125491	Pin	122-436	125553	Stud
122-112	125436	Strip	122-364	125492	Bracket	122-437	125554	Spring
122-113	9575	Screw	122-365	125493	Punch Pin	122-438	125555	Head
122-115	125437	Contact Point	122-366	125494	Punch Pin	122-439	125556	Spring Eye
122-116	125438	Lever Assem.	122-367)	110902	Plate	122-444	1199608C	Plate
122-117	125439	Lever	122-368)			122-445	119957	Guard Assem.
122-118	125440	Terminal	122-369	125495	Guide Plate	122-447	125558	Spring
122-119	125441	Contact Assem.	122-370	125496	Guide Plate	122-450	125559	Keys
122-120	125442	Spring	122-371	125497	Die Plate	122-451	125560	Lever Assem.
122-121	125443	Contact	122-373	125498	Punch Hammer	122-452	125561	Lever Assem.
122-124	125444	Spring	122-374	125499	Punch Bar	122-453	125562	Cable Assem.
122-126	125445	Insulator	122-375	125500	Punch Bar	122-454	125563	Cable
122-127	125446	Stud	122-376	125501	Punch Bar	122-457	125564	Loop Blank
122-128	125447	Bracket Assem.	122-377	125502	Punch Bar	122-459	125565	Paper Keytop
122-129	125448	Bracket	122-378	125503	Punch Bar	122-460	125566	Paper Keytop
S-122-130	125449	Lever Assem.	122-380	125504	Lever	122-461	125567	Paper Keytop

Old No.	New No.	Description	Old No.	New No.	Description	Old No.	New No.	Description
122-462	125568	Paper Keytop	122-567	125631	Hammer Assem.	122-708	125693	Paper Keytop
122-463	125569	Paper Keytop	122-570	1204998C	Base	122-709	125694	Paper Keytop
122-464	125570	Paper Keytop	122-571	125633	Guide Plate	122-710	125605	Paper Keytop
122-465	125571	Paper Keytop	122-572	125634	Guide Plate	123-7	3628	Bushing
122-466	125572	Paper Keytop	122-573	125635	Die Plate	123-8	71444	Bushing
122-467	125573	Paper Keytop	122-574)	110901	Plate	123-10	3629	Collar
122-468	125574	Paper Keytop	122-367)			123-36	3630	Bushing
122-469	125575	Paper Keytop	122-575	111019	Block	123-37	125696	Post
122-470	125576	Paper Keytop	122-576	125636	Plate Assem.	123-55	125697	Contact Pin
122-471	125577	Paper Keytop	122-577	125637	Ratchet Assem.	123-123	125698	Roller
122-472	125578	Paper Keytop	122-580	125638	Paper Keytop	123-135	125699	Pin
122-473	125579	Paper Keytop	122-581	125639	Paper Keytop	123-154	125700	Hub
122-474	125580	Paper Keytop	122-582	125640	Paper Keytop	123-158	125701	Hub
122-475	125581	Paper Keytop	122-583	125641	Bushing	123-159	125702	Dowel
122-476	125582	Paper Keytop	122-586	125642	Bracket Assem.	123-163	3632	Terminal
122-477	125583	Paper Keytop	122-589	125643	Washer	123-164	3633	Bushing
122-478	125584	Paper Keytop	122-590	125644	Handle	123-165	3634	Bushing
122-479	125585	Paper Keytop	122-592	125645	Guide	123-166	3635	Washer
122-480	125586	Paper Keytop	122-593	125646	Plate	123-167	3636	Washer
122-481	125587	Paper Keytop	122-594	125647	Plate	123-194	3637	Ball Bearing
122-482	125588	Paper Keytop	122-596	125648	Key Lever	123-244	125015	Washer
122-483	125589	Paper Keytop	122-597	125649	Key Lever	123-308	125703	Terminal
122-484	125590	Paper Keytop	122-598	125650	Key Lever	123-314	125704	Rivet
122-485	125591	Paper Keytop	122-599	125651	Key Lever	123-342	125705	Oil Cup
122-487	125592	Paper Keytop	122-600	125652	Key Lever	123-343	125706	Wick
122-490	1199578C	Guard	122-601	125653	Key Lever	123-357	125707	Terminal
122-498	125510	Hinge	122-602	125654	Key Lever	123-362	125708	Washer
122-511	125594	Guide Assem.	122-603	125655	Key Lever	123-364	125709	Hinge-Butt
122-526	125595	Roller	122-604	125656	Key Lever	123-412	125710	Ring - Blank
122-528	125596	Key Lever Assem.	122-605	125657	Key Lever	123-447	125711	Disk
122-529	125597	Key Lever Assem.	122-606	125658	Key Lever	125-9	3638	Condenser
122-530	125598	Key Lever Assem.	122-607	125659	Key Lever	125-23	125712	Clamp
122-531	125599	Key Lever Assem.	122-608	125660	Key Lever	125-55	125713	Card Holder
122-532	125600	Key Lever Assem.	122-609	125661	Key Lever	125-161	125714	Resistor
122-533	125601	Key Lever Assem.	122-610	125662	Key Lever	125-169	125715	Fuse
122-534	125602	Key Lever Assem.	122-611	125663	Key Lever	125-176	125716	Switch Box
122-535	125603	Key Lever Assem.	122-612	125664	Key Lever	125-184	125717	Fuse Box
122-536	125604	Key Lever Assem.	122-613	125665	Key Lever	125-194	125718	Resistor
122-537	125605	Key Lever Assem.	122-614	125666	Key Lever	125-197	125097	Nipple
122-538	125606	Key Lever Assem.	122-615	125667	Key Lever	125-198	125098	Nut
122-539	125607	Key Lever Assem.	122-616	125668	Key Lever	125-208	125719	Nipple
122-540	125608	Key Lever Assem.	122-617	125669	Key Lever	125-209	125720	Nut
122-541	125609	Key Lever Assem.	122-618	125670	Key Lever	125-211	125721	Clamp
122-542	125610	Key Lever Assem.	122-619	125671	Key Lever	125-217	126253	Receptacle
122-543	125611	Key Lever Assem.	122-620	125672	Key Lever	125-221	125091	Receptacle
122-544	125612	Key Lever Assem.	122-621	125673	Key Lever	125-237	125723	Fuse
122-545	125613	Key Lever Assem.	122-622	125674	Key Lever	125-238	125724	Fuse
122-546	125614	Key Lever Assem.	122-623	125675	Key Lever	125-239	125725	Fuse
122-547	125615	Key Lever Assem.	122-624	125676	Key Lever	125-240	125483	Key
122-548	125616	Key Lever Assem.	122-625	125677	Key Lever	125-242	125726	Resistor
122-549	125617	Key Lever Assem.	122-626	125678	Key Lever	125-269	125727	Handle
122-550	125618	Key Lever Assem.	122-627	125679	Key Lever	125-270	125728	Hinge
122-551	125619	Key Lever Assem.	122-628	125680	Key Lever	125-276	125729	Switch Box
122-552	125620	Key Lever Assem.	122-629	125681	Key Lever	126-11	125730	Bushing
122-553	125621	Key Lever Assem.	122-630	125682	Comb	F-126-24	125377	Pinion
122-554	125622	Key Lever Assem.	122-697	125683	Bushing	126-64	125731	Cam
122-555	125623	Key Lever Assem.	122-698	125684	Lever Assem.	126-92	125732	Washer
122-556	125624	Key Lever Assem.	122-699	125685	Stud	126-93	125733	Washer
122-557	125198	Key Lever Assem.	122-700	125686	Lever Assem.	126-95	125734	Armature
122-558	125625	Key Lever Assem.	122-702	125687	Bushing	126-107	125735	Screw
122-559	125626	Key Lever Assem.	122-703	125688	Bracket Assem.	126-108	125736	Brush Holder
122-562	84695	Guard	122-704	125689	Paper Keytop	126-111	125737	Coil
122-563	125628	Guard Clip	122-705	125690	Paper Keytop	126-114	125738	Washer
122-564	125629	Guard Clip	122-706	125691	Paper Keytop	126-118	125739	Bushing
122-565	125630	Guard	122-707	125692	Paper Keytop	126-123	125016	Grommet

Old No.	New No.	Description	Old No.	New No.	Description	Old No.	New No.	Description
126-126	125740	Brush	200-1132	125792	Insulator	300-177	125854	Terminal
126-127	125741	Spring	200-1134	125793	Pin	300-178	125855	Terminal
138-1	125742	Tuning Fork	200-1135	9576	Contact Spring	300-179	125856	Terminal Block
138-2	125743	Tuning Fork	200-1136	125794	Spring Blank	300-180	125857	Terminal Block
138-3	125744	Tuning Fork	200-1137	9577	Spring	300-181	125858	Feed Pawl
138-4	125745	Tuning Fork	200-1138	125795	Spring Blank	300-200	125859	Bracket
138-5	114756	Tuning Fork	200-1139	3647	Insulator	300-201	125860	End Bracket
138-6	125747	Tuning Fork	200-1175	125796	Spring	300-301	5556	Top Plate
138-7	125748	Tuning Fork	200-1176	125797	Spring	300-302	125861	Feed Wheel
138-11	125749	Tuning Fork	200-1177	126251	Insulator	300-303	125862	Bearing
138-20	125751	Tuning Fork	200-1178	125799	Spring	300-304	125863	Bracket
138-22	110442	Screw Driver	200-1179	125800	Stiff	300-306	125864	Plate
138-23	125752	Wrench	200-1345	125801	Valve	300-307	125865	Plate
138-24	125753	Wrench	200-1348	125802	Washer	300-308	125866	Strip
138-25	125754	Wrench	200-1703	125803	Hub	300-312	125867	Bracket
138-26	125755	Wrench	200-2002	125804	Strip	300-314	125868	Detent Assem.
138-27	125756	Wrench	200-2210	125805	Post	300-315	125869	Detent Lever
138-28	125757	Wrench	200-2212	3649	Washer	300-316	125870	Detent Roller
138-30	125758	File	200-2217	125806	Post	300-319	125871	Bracket
138-32	125759	Wrench	200-2800	125807	Spindle	300-320	125872	Shaft
138-33	125760	Wrench	200-2802	125808	Pivot	300-322	125873	Latch
138-34	125761	Wrench	300-3	125809	Cable	300-400	125874	End Bracket
138-35	125762	Wrench	300-103	125810	Armature	300-501	125875	Base
138-36	125763	Wrench	300-104	125812	Armature	300-502	125876	Switch
138-38	125764	Screw Driver Blade	300-105	125813	Bearing	300-503	125877	Strip
138-43	126242	Gauge	300-106	125814	Guide	300-504	125878	Terminal
138-44	126243	Gauge	300-107	125815	Contact Assem.	300-505	4706	Washer
138-49	126244	Gauge	300-108	125816	Mounting Bar	300-506	4707	Washer
138-52	125765	Wrench	300-109	125817	Mounting Bar	300-507	125879	Base
138-55	110443	Scale	300-110	125818	Insulator	300-508	125880	Armature
138-58	110444	Scale	300-111	125819	Plate	300-509	125881	Washer
138-67	125766	Handle	300-113	125820	Disk	300-510	125882	Terminal
138-68	125767	Shank	300-114	125821	Lever Blank	300-511	125883	Armature
138-69	125768	Shank	300-115	125822	Lever #1	300-512	125884	Spring
138-74	125769	Shank	300-116	125823	Lever #2	300-513	125885	Armature Handle
138-100	88993	Burnisher	300-117	125824	Lever #3	300-515	125886	Terminal
138-119	125771	Handle	300-118	125825	Lever #4	300-516	125887	Base
138-120	125772	Shank	300-119	125826	Lever #5	300-517	125888	Decalcomania
138-122	125773	Handle	300-120	125827	Lever	300-518	125889	Base
138-123	125774	Shank	300-121	125828	Shaft	300-519	125890	Armature
138-125	126245	Gauge	300-128	125829	Lever	300-601	125891	Bracket
138-126	126246	Gauge	300-130	125830	Armature	300-602	125892	Shaft
138-127	125775	Wrench	300-131	125831	Cont. Spring	300-603	125893	Shaft
138-128	125776	Wrench	300-132	125832	Cont. Spring	300-604	125894	Lever
138-129	125777	Wrench	300-137	125833	Lever Guide	300-605	125895	Bracket
138-130	125778	Shank	300-138	125834	Spool	300-606	125896	Shaft
138-133	125779	Wrench	300-139	125935	Tube	300-607	125897	Bracket
138-134	125780	Handle	300-140	125836	Magnet Core	300-608	125898	Pawl
138-135	125781	Shank	300-142	125837	Magnet Yoke	300-609	125899	Post
138-136	125782	Wrench Grip	300-143	125838	Plunger	300-700	125900	Panel
138-137	110445	Tool	300-144	125839	Bracket	300-701	125557	Panel
138-139	125783	Stone	300-145	125840	Rod	300-702	125901	Stud
138-141	114758	Tuning Fork	300-146	125841	Lever	400-2	125902	Rod
200-20	3639	Washer	300-147	125842	Button	400-3	125903	Brush
200-133	125785	Spring	300-150	125843	Plate	400-6	125904	Lamp
200-137	125786	Spring	300-152	125844	Adj. Lever	400-102	125905	Strip
200-139	125787	Button	300-153	125845	Yoke	400-203	125906	Gear
200-148	125788	Post	300-154	125846	Cont. Point	400-206	125907	Washer
200-153	3640	Washer	300-155	125847	Plate	400-207	125908	Pinion
200-214	125789	Shim	300-170	125848	Cont. Lever	400-209	125909	Shaft
200-704	3642	Washer	300-171	125849	Cont. Lever	400-210	125910	Shaft
200-705	125790	Bushing	300-172	125850	Cont. Lever	400-211	125911	Wheel
200-1028	125791	Washer	300-173	125851	Cont. Lever	400-212	125912	Segment Ring
200-1031	6033	Washer	300-174	125852	Cont. Lever	400-215	125913	Collector Ring
200-1032	3646	Washer	300-175	125853	Cont. Lever	400-218	125914	Terminal

Old No.	New No.	Description	Old No.	New No.	Description	Old No.	New No.	Description
400-221	125915	Disk	700-68	73202	Washer	55083-12	126107	"T" Bar
400-222	125916	Range Scale	700-71	3650	Washer	55083-13	126108	"T" Bar
400-302	125917	Bushing	700-75	125750	Screw	55083-14	126109	"T" Bar
400-402	125918	Bushing	700-76	125770	Terminal	55083-15	126110	"T" Bar
400-509	125342	Sleeve	1000-203	125923	Washer	55083-16	126111	"T" Bar
400-510	125210	Shaft	1000-252	110446	Nut	55083-17	126112	"T" Bar
400-513	125919	Washer	W-1098	70793	Spacer	55083-18	126113	"T" Bar
400-519	125920	Sleeve	W-1238	126234	Pin	55083-20	126114	"T" Bar
400-801	125921	Gear	W-1241	126235	Collar	55083-21	126115	"T" Bar
400-1002	125922	Decalcomania	W-1958	71681	Spool	55084-A2	126156	Bar
400-1404	125924	Lever	W-2328	72669	Clip	55084-A4	126157	Bar
500-4	125925	Switch	W-2657	126236	Spring	55084-A6	126158	Bar
500-6	125926	Connector	W-6095	84990	Screw	55084-A8	126159	Bar
500-7	125927	Locknut	W-6104	126237	Nut	55084-A10	126160	Bar
500-19	125928	Washer	W-9277	126238	Handle	55084-A12	126161	Bar
500-80	125929	Resistor	W-9278	126239	Journal	55084-A14	126162	Bar
500-96	125930	Washer	W-9279-A	126240	Crank	55084-A16	126163	Bar
500-99	125931	Switch	W-9337-F	89883	Nut	55084-A18	126164	Bar
500-104	125932	Spring	W-9470	86341	Screw	55084-A20	126165	Bar
500-105	125933	Plate	W-9542	74878	Paper Drag	55084-B1	126166	Bar
500-112	125934	Spring	W-10074	110743	Washer	55084-B3	126167	Bar
500-205	125935	Spring	W-10076	3646	Washer	55084-B5	126168	Bar
500-308	125936	Pin	W-10077	45815	Washer	55084-B7	126169	Bar
500-309	125937	Pin	W-10080	3640	Washer	55084-B9	126170	Bar
500-310	125938	Chain	W-10082	4814	Washer	55084-B11	126171	Bar
500-311	125939	Pin "S" Hook	W-10083	3639	Washer	55084-B13	126172	Bar
500-403	125940	Block	W-10086	126241	Washer	55084-B15	126173	Bar
500-404	125941	Socket	W-10088	70071	Washer	55084-B17	126174	Bar
500-406	125942	Fuse	W-10090	70072	Washer	74274-1	126232	Button
500-600	125943	Box	55083-1	126096	"T" Bar			
500-703	125944	Foot	55083-2	126097	"T" Bar			
500-1008	125945	Switch	55083-3	126098	"T" Bar			
W-666	126233	Pivot	55083-4	126099	"T" Bar			
W-667	74877	Spring	55083-5	126100	"T" Bar			
W-669	117313	Spindle	55083-6	126101	"T" Bar			
700-51	125946	Screw	55083-7	126102	"T" Bar			
700-55	125947	Screw	55083-8	126103	"T" Bar			
700-59	125948	Screw	55083-9	126104	"T" Bar			
700-60	125949	Screw	55083-10	126105	"T" Bar			
700-65	125722	Screw	55083-11	126106	"T" Bar			

NEW TO OLD NUMBER CONVERSION LIST

<u>New No.</u>	<u>Old No.</u>	<u>New No.</u>	<u>Old No.</u>	<u>New No.</u>	<u>Old No.</u>	<u>New No.</u>	<u>Old No.</u>	<u>New No.</u>	<u>Old No.</u>
1036	34-51	3642	200-704	112622	33-334	125127	33-58	125198	122-557
1157	33-1	3646	200-1032	112623	33-335	125128	33-59	125199	33-278
1158	33-3	3646	W-10076	112624	33-337	125129	33-60	125200	33-282
1159	33-5	3647	200-1139	112625	33-347	125130	33-63	125201	33-283
1160	33-6	3649	200-2212	112626	34-4	125131	33-65	125202	33-285
1161	33-7	3650	700-71	112627	34-11	125132	33-70	125203	33-289
1162	33-10	4702	35-52	112628	34-64	125133	33-72	125205	33-296
	33-156	4703	35-86	112629	35-1	125134	33-73	125206	33-336
1163	33-11	4705	35-134	112630	35-2	125135	33-75	125207	33-339
1164	33-14	4706	300-505	112631	35-8	125136	33-79	125208	33-340
1165	33-16	4707	300-506	112632	35-33	125137	33-82	125209	33-341
1166	33-17	4708	35-87	112633	35-54	125138	33-85	125210	400-510
1167	33-19	4814	W-10082	112634	35-89	125139	33-86	125211	33-344
1168	33-35	5475	34-5	112635	35-137	125140	33-88	125212	33-346
1169	33-37	5556	300-301	112636	35-140	125141	33-89	125213	33-348
1170	33-49	5740	33-13	112640	122-384	125142	33-98	125214	33-349
1171	33-53	5815	34-14	114756	138-5	125143	33-101	125215	33-350
1172	33-54	5816	100-74	114758	138-141	125144	33-108	125216	33-356
1173	33-64	6033	200-1031	117313	W-669	125146	33-114	125217	33-362
1174	33-157	9574	100-88	119957BC	122-490	125147	33-121	125218	34-1
1175	33-169	9575	122-113	119959BC	122-345	125148	33-123	125219	34-3
1176	33-195	9576	200-1135	119960BC	122-444	125149	33-130	125220	34-10
1177	33-234	9577	200-1137	120499BC	122-570	125150	33-135	125221	34-13
1178	33-237	45815	W-10077	125000	33-74	125151	33-141	125222	34-16
1179	33-238	49054	33-111	125001	33-132	125152	33-143	125223	34-19
1181	33-360	55257	34-12	125002	33-179	125153	33-151	125224	34-24
1222	33-39	70071	W-10088	125003	33-206	125154	33-153	125225	34-27
1223	33-69	70072	W-10090	125004	33-272	125155	33-158	125226	34-35
1263	33-4	70073	34-7	125005	33-280	125156	33-162	125227	34-39
1299	33-290	70793	W-1098	125006	33-333	125157	33-163	125228	34-41
2723	34-63	71047	43-12	125009	34-59	125158	33-167	125229	34-48
3595	34-2	71444	123-8	125010	61-24	125159	33-168	125230	34-54
3597	34-6	71681	W-1958	125011	103-27	125160	33-175	125231	34-58
3598	34-8	72669	W-2328	125012	122-48	125161	33-176	125232	34-60
3599	34-9	73202	700-68	125013	122-276	125162	33-180	125233	34-61
3600	34-25	74877	W-667	125014	122-337	125163	33-185	125234	34-62
3602	34-28	74878	W-9542	125015	123-244	125164	33-193	125235	34-66
3603	34-29	74879	4-8	125016	126-123	125165	33-194	125236	35-13
3604	34-50	80520BC	122-352	125091	125-221	125166	33-196	125237	35-16
3605	34-53	80523BC	122-356	125092	36-131	125167	33-197	125238	35-23
3606	34-55	84695	122-562	125097	125-197	125168	33-198	125239	35-24
3608	35-58	84990	W-6095	125098	125-198	125169	33-202	125240	35-26
3610	35-126	86341	W-9470	125099	52-4	125170	33-207	125241	35-27
3611	35-129	86850	33-240	125100	2-3	125171	33-208	125242	35-28
3614	36-56	87636	33-270	125101	4-4	125172	33-209	125243	35-34
3614	36-137	88993	138-100	125102	4-11	125173	33-210	125244	35-40
3615	36-152	89883	W-9337-P	125103	6-1	125174	33-211	125245	35-43
3616	36-173	110434	33-110	125104	6-2	125175	33-212	125246	35-47
3618	61-7	110435	34-56	125105	23-8	125176	33-213	125247	35-48
3620	100-75	110436	35-42	125106	25-21	125177	33-217	125248	35-53
3621	100-85	110437	35-70	125107	26-19	125178	33-224	125249	35-66
3623	100-97	110438	35-88	125108	33-2	125179	33-225	125250	35-68
3624	100-108	110439	36-146	125109	33-8	125180	33-227	125251	35-69
3625	S-122-39	110440	36-153	125110	33-9	125181	33-228	125252	35-71
3626	122-68	110441	100-96	125111	33-12	125182	33-267	125253	35-72
3627	S-122-234	110442	138-22	125112	33-15	125183	33-235	125254	35-78
3628	123-7	110443	138-55	125113	33-18	125184	33-236	125255	35-80
3629	123-10	110444	138-58	125114	33-22	125185	33-241	125256	35-84
3630	123-36	110445	138-137	125115	33-23	125186	33-244	125257	35-85
3632	123-163	110446	1000-252	125116	33-29	125187	33-245	125258	35-99
3633	123-164	110741	33-78	125117	33-32	125188	33-250	125259	35-101
3634	123-165	110742	33-311	125118	33-36	125189	33-252	125260	35-104
3635	123-166	110743	W-10074	125119	33-38	125190	33-253	125261	35-111
3636	123-167	110901	(122-574	125120	33-41	125191	33-254	125262	35-116
3637	123-194		(122-367	125121	33-42	125192	33-255	125263	35-123
3638	125-9	110902	(122-367	125122	33-43	125193	33-257	125264	35-124
3639	200-20		(122-368	125123	33-45	125194	33-264	125265	35-125
3639	W-10083	111019	122-575	125124	33-50	125195	33-271	125266	35-131
3640	200-153	112620	33-21	125125	33-51	125196	33-274	125267	35-132
3640	W-10080	112621	33-170	125126	33-57	125197	33-276	125268	35-133

New No.	Old No.	New No.	Old No.	New No.	Old No.	New No.	Old No.	New No.	Old No.
125269	36-120	125343	100-145	125417	122-65	125491	122-363	125564	122-457
125270	36-19	125344	100-148	125418	122-67	125492	122-364	125565	122-459
125271	36-23	125345	100-151	125419	S-122-69	125493	122-365	125566	122-460
125272	36-24	125346	100-152	125420	122-80	125494	122-366	125567	122-461
125273	36-28	125347	100-153	125421	122-84	125495	122-369	125568	122-462
125274	36-35	125348	100-159	125422	122-86	125496	122-370	125569	122-463
125275	36-38	125349	100-167	125423	122-88	125497	122-371	125570	122-464
125276	36-39	125350	100-173	125424	122-89	125498	122-373	125571	122-465
125277	36-45	125351	100-178	125425	122-94	125499	122-374	125572	122-466
125278	36-51	125352	100-179	125426	122-95	125500	122-375	125573	122-467
125279	36-72	125353	100-187	125427	122-97	125501	122-376	125574	122-468
125280	36-73	125354	100-188	125428	122-100	125502	122-377	125575	122-469
125281	36-80	125355	100-217	125429	122-101	125503	122-378	125576	122-470
125282	36-85	125356	100-218	125430	122-102	125504	122-380	125577	122-471
125283	36-103	125357	100-219	125431	122-106	125505	122-381	125578	122-472
125284	36-104	125358	100-220	125432	122-106G	125506	122-382	125579	122-473
125285	36-105	125359	100-227	125433	122-107	125507	122-383	125580	122-474
125286	36-106	125360	100-228	125434	122-108	125508	122-386	125581	122-475
125287	36-109	125361	100-234	125435	122-111	125509	122-387	125582	122-476
125288	36-110	125362	100-235	125436	122-112	125509BC	122-392	125583	122-477
125289	36-113	125363	100-246	125437	122-115	125510	122-388	125584	122-478
125290	36-114	125364	100-253	125438	122-116	125511	122-389	125585	122-479
125291	36-124	125365	100-254	125439	122-117	125512	122-390	125586	122-480
125292	36-132	125366	100-255	125440	122-118	125514	122-396	125587	122-481
125293	36-134	125367	100-256	125441	122-119	125515	122-397	125588	122-482
125294	36-136	125368	100-257	125442	122-120	125516	122-399	125589	122-483
125295	36-139	125369	103-75	125443	122-121	125517	122-400	125590	122-484
125296	36-147	125370	103-77	125444	122-124	125518	122-401	125591	122-485
125297	36-150	125371	103-102	125445	122-126	125519	122-402	125592	122-487
125298	36-151	125372	103-151	125446	122-127	125520	122-403	125594	122-511
125299	36-154	125373	112-7	125447	122-128	125521	122-404	125595	122-526
125300	36-164	125374	112-8	125448	122-129	125522	122-405	125596	122-528
125301	36-165	125375	112-64	125449	S-122-130	125523	122-406	125597	122-529
125302	36-170	125376	120-20	125450	122-133	125524	122-407	125598	122-530
125303	36-172	125377	F-126-24	125451	S-122-134	125525	122-408	125599	122-531
125304	36-174	125379	122-5	125452	122-135	125526	122-409	125600	122-532
125306	43-10	125380	122-11	125453	S-122-136	125527	122-410	125601	122-533
125307	46-3	125381	122-12	125454	122-137	125528	122-411	125602	122-534
125308	47-2	125382	122-18	125455	122-139	125529	122-412	125603	122-535
125309	47-4	125383	S-122-19	125456	122-140	125530	122-413	125604	122-536
125310	47-5	125384	S-122-20	125457	122-143	125531	122-414	125605	122-537
125311	52-5	125385	S-122-21	125458	122-146	125532	122-415	125606	122-538
125312	54-3	125386	S-122-22	125459	122-147	125533	122-416	125607	122-539
125313	61-9	125387	S-122-23	125461	122-192	125534	122-417	125608	122-540
125314	61-10	125388	S-122-24	125462	122-193	125535	122-418	125609	122-541
125315	61-12	125389	122-25	125463	122-194	125536	122-419	125610	122-542
125316	61-21	125390	122-26	125464	122-195	125537	122-420	125611	122-543
125317	61-25	125391	122-27	125465	122-196	125538	122-421	125612	122-544
125318	80-1	125392	122-28	125466	122-241	125539	122-422	125613	122-545
125319	80-2	125393	122-29	125467	122-242	125540	122-423	125614	122-546
125320	80-3	125394	122-35	125468	122-244	125541	122-424	125615	122-547
125321	80-4	125395	122-36	125469	122-245	125542	122-425	125616	122-548
125322	80-5	125396	S-122-37	125470	122-246	125543	122-426	125617	122-549
125323	100-70	125397	S-122-38	125471	122-247	125544	122-427	125618	122-550
125324	100-71	125398	S-122-40	125472	122-249	125545	122-428	125619	122-551
125325	100-72	125399	122-41	125473	122-250	125546	122-429	125620	122-552
125326	100-73	125400	122-42	125474	122-251	125547	122-430	125621	122-553
125327	100-79	125401	122-43	125475	122-252	125548	122-431	125622	122-554
125328	100-80	125402	122-46	125476	122-253	125549	122-432	125623	122-555
125329	100-81	125403	122-49	125477	122-254	125550	122-433	125624	122-556
125330	100-84	125404	122-50	125478	122-257	125551	122-434	125625	122-558
125331	100-92	125405	122-51	125479	122-259	125552	122-435	125626	122-559
125332	100-93	125406	122-52	125480	122-260	125553	122-436	125628	122-563
125333	100-100	125407	122-53	125481	122-275	125554	122-437	125629	122-564
125334	100-101	125408	122-54	125482	122-290	125555	122-438	125630	122-565
125335	100-106	125409	122-55	125483	125-240	125556	122-439	125631	122-567
125336	100-109	125410	122-56	125484	122-346	125557	300-701	125633	122-571
125337	100-110	125411	122-57	125485	122-347	125558	122-447	125634	122-572
125338	100-111	125412	122-58	125486	122-349	125559	122-450	125635	122-573
125339	100-112	125413	122-60	125487	122-350	125560	122-451	125636	122-576
125340	100-113	125414	122-61	125488	122-357	125561	122-452	125637	122-577
125341	100-120	125415	122-62	125489	122-358	125562	122-453	125638	122-580
125342	400-509	125416	122-63	125490	122-359	125563	122-454	125639	122-581

New No.	Old No.	New No.	Old No.	New No.	Old No.	New No.	Old No.	New No.	Old No.
125640	122-582	125714	125-161	125789	200-214	125863	300-304	125936	500-308
125641	122-583	125715	125-169	125790	200-705	125864	300-306	125937	500-309
125642	122-586	125716	125-176	125791	200-1028	125865	300-307	125938	500-310
125643	122-589	125717	125-184	125792	200-1132	125866	300-308	125939	500-311
125644	122-590	125718	125-194	125793	200-1134	125867	300-312	125940	500-403
125645	122-592	125719	125-208	125794	200-1136	125868	300-314	125941	500-404
125646	122-593	125720	125-209	125795	200-1138	125869	300-315	125942	500-406
125647	122-594	125721	125-211	125796	200-1175	125870	300-316	125943	500-600
125648	122-596	125722	700-65	125797	200-1176	125871	300-319	125944	500-703
125649	122-597	125723	125-237	125798	W-122-152	125872	300-320	125945	500-1008
125650	122-598	125724	125-238	125799	200-1178	125873	300-322	125946	700-51
125651	122-599	125725	125-239	125800	200-1179	125874	300-400	125947	700-55
125652	122-600	125726	125-242	125801	200-1345	125875	300-501	125948	700-59
125653	122-601	125727	125-269	125802	200-1348	125876	300-502	125949	700-60
125654	122-602	125728	125-270	125803	200-1703	125877	300-503	126096	55083-1
125655	122-603	125729	125-276	125804	200-2002	125878	300-504	126097	55083-2
125656	122-604	125730	126-11	125805	200-2210	125879	300-507	126098	55083-3
125657	122-605	125731	126-64	125806	200-2217	125880	300-508	126099	55083-4
125658	122-606	125732	126-92	125807	200-2800	125881	300-509	126100	55083-5
125659	122-607	125733	126-93	125808	200-2802	125882	300-510	126101	55083-6
125660	122-608	125734	126-95	125809	300-3	125883	300-511	126102	55083-7
125661	122-609	125735	126-107	125810	300-103	125884	300-512	126103	55083-8
125662	122-610	125736	126-108	125812	300-104	125885	300-513	126104	55083-9
125663	122-611	125737	126-111	125813	300-105	125886	300-515	126105	55083-10
125664	122-612	125738	126-114	125814	300-106	125887	300-516	126106	55083-11
125665	122-613	125739	126-118	125815	300-107	125888	300-517	126107	55083-12
125666	122-614	125740	126-126	125816	300-108	125889	300-518	126108	55083-13
125667	122-615	125741	126-127	125817	300-109	125890	300-519	126109	55083-14
125668	122-616	125742	138-1	125818	300-110	125891	300-601	126110	55083-15
125669	122-617	125743	138-2	125819	300-111	125892	300-602	126111	55083-16
125670	122-618	125744	138-3	125820	300-113	125893	300-603	126112	55083-17
125671	122-619	125745	138-4	125821	300-114	125894	300-604	126113	55083-18
125672	122-620	125747	138-6	125822	300-115	125895	300-605	126114	55083-20
125673	122-621	125748	138-7	125823	300-116	125896	300-606	126115	55083-21
125674	122-622	125749	138-9	125824	300-117	125897	300-607	126156	55084-A2
125675	122-623	125750	700-75	125825	300-118	125898	300-608	126157	55084-A4
125676	122-624	125751	138-20	125826	300-119	125899	300-609	126158	55084-A6
125677	122-625	125752	138-23	125827	300-120	125900	300-700	126159	55084-A8
125678	122-626	125753	138-24	125828	300-121	125901	300-702	126160	55084-A10
125679	122-627	125754	138-25	125829	300-128	125902	400-2	126161	55084-A12
125680	122-628	125755	138-26	125830	300-130	125903	400-3	126162	55084-A14
125681	122-629	125756	138-27	125831	300-131	125904	400-6	126163	55084-A16
125682	122-630	125757	138-28	125832	300-132	125905	400-102	126164	55084-A18
125683	122-697	125758	138-30	125833	300-137	125906	400-203	126165	55084-A20
125684	122-698	125759	138-32	125834	300-138	125907	400-206	126166	55084-B1
125685	122-699	125760	138-33	125835	300-139	125908	400-207	126167	55084-B3
125686	122-700	125761	138-34	125836	300-140	125909	400-209	126168	55084-B5
125687	122-702	125762	138-35	125837	300-142	125910	400-210	126169	55084-B7
125688	122-703	125763	138-36	125838	300-143	125911	400-211	126170	55084-B9
125689	122-704	125764	138-38	125839	300-144	125912	400-212	126171	55084-B11
125690	122-705	125765	138-52	125840	300-145	125913	400-215	126172	55084-B13
125691	122-706	125766	138-67	125841	300-146	125914	400-218	126173	55084-B15
125692	122-707	125767	138-68	125842	300-147	125915	400-221	126174	55084-B17
125693	122-708	125768	138-69	125843	300-150	125916	400-222	126232	74273-1
125694	122-709	125769	138-74	125844	300-152	125917	400-302	126233	W-666
125695	122-710	125770	700-76	125845	300-153	125918	400-402	126234	W-1238
125696	123-37	125771	138-119	125846	300-154	125919	400-513	126235	W-1241
125698	123-123	125772	138-120	125847	300-155	125920	400-519	126237	W-6104
125699	123-135	125773	138-122	125848	300-170	125921	400-801	126238	W-9277
125700	123-154	125774	138-123	125849	300-171	125922	400-1002	126239	W-9278
125701	123-158	125775	138-127	125850	300-172	125923	1000-203	126240	W-9279-A
125702	123-159	125776	138-128	125851	300-173	125924	400-1404	126241	W-10086
125703	123-308	125777	138-129	125852	300-174	125925	500-4	126242	138-43
125704	123-314	125778	138-130	125853	300-175	125926	500-6	126243	138-44
125705	123-342	125779	138-133	125854	300-177	125927	500-7	126244	138-49
125706	123-343	125780	138-134	125855	300-178	125928	500-19	126245	138-125
125707	123-357	125781	138-135	125856	300-179	125929	500-80	126246	138-126
125708	123-362	125782	138-136	125857	300-180	125930	500-96	126247	122-348
125709	123-364	125783	138-139	125858	300-181	125931	500-99	126248	122-354
125710	123-412	125785	200-133	125859	300-200	125932	500-104	126249	122-355
125711	123-447	125786	200-137	125860	300-201	125933	500-105	126250	33-275
125712	125-23	125787	200-139	125861	300-302	125934	500-112	126251	200-1177
125713	125-55	125788	200-148	125862	300-303	125935	500-205	126253	125-217
								126336	W-2657

ADDITIONS TO PARTS BULLETINS

- 1028, Issue 2 - Model 14 Type Bar Tape Printer, Page 5
- 1030, Issue 2 - Model 14 Type Bar Tape Printer, Page 5
- 1031, Issue 3 - Model 14 Type Bar Tape Printer, Page 7
- 1037, Issue 4 - Model 15 Type Bar Page Printer, Page 3
- 1063, Issue 2 - Model 20 Type Bar Page Printer, Page 2
- 1064, Issue 2 - Single Magnet Reperforator (Models 14 and 20 Nontyping), Page 2
- 1072, Issue 2 - Regenerator Unit and Panel, Page 2
- 1074, Issue 2 - Type Wheel Page Printer (Model 26), Page 8
- 1080, Issue 1 - Single Magnet Reperforator (Model 14 Nontyping), Page 2
- 1082, Issue 2 - Typing Reperforator (Model 14), Page 18
- 1088, Issue 2 - Typing Reperforator (Model 14), Page 10
- 1094, Issue 2 - Model 15 Type Bar Page Printer, Page 3
- 1100, Issue 2 - Typing Reperforator (Model 14), Page 8
- 1107, Issue 1 - Nontyping Selector, Page 6
- 1108, Issue 2 - Reperforator Transmitter (Model 14), Page 13
- 1110, Issue 2 - U.S. Army Signal Corps Printers TG-7-A and TG-7-B (Teletype Model 15), Page 3
- 1114, Issue 1 - Model 15 Type Bar Page Printer, Page 3
- 1116, Issue 1 - Nontyping Selector, Page 5
- 1117, Issue 1 - U.S. Army Signal Corps Reperforator Transmitters TG-26-A and TG-27-A (Teletypewriter), Page 7
- 1126, Issue 1 - Reperforator Transmitter Distributor (Model 14), Page 11
- 1130, Issue 1 - Multiple Reperforator, Page 6
- 1141, Issue 1 - Teletype Sequential Control (SECO) System Equipment, Page 13
- 1143, Issue 2 - Sequential Selector, Page 13

1. This correction sheet which supersedes EE-687 covers parts ordering information for the redesigned capstan nut associated with the selector clutch.

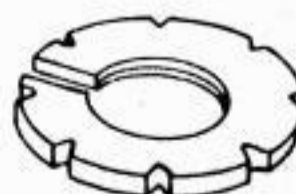
2. To permit adjustment of the selector clutch torque without the necessity of removing the selector cam sleeve, a 119540 keyed nut, a 122974 capstan nut, and a 122838 spacer replaces the 72517 nut and 72515 keyed nut.

3. Shims formerly supplied to adjust the selector clutch torque in the field are still available under the following numbers:

- 96763 Shim (.012" thick)
- 96764 Shim (.016" thick)
- 96765 Shim (.020" thick)



119540 NUT, KEYED



122974 NUT, CAPSTAN



122838 SPACER

CHANGES AND ADDITIONS TO
PARTS (MODEL 14) BULLETINS

TYPE BAR TAPE
PRINTER (FP)

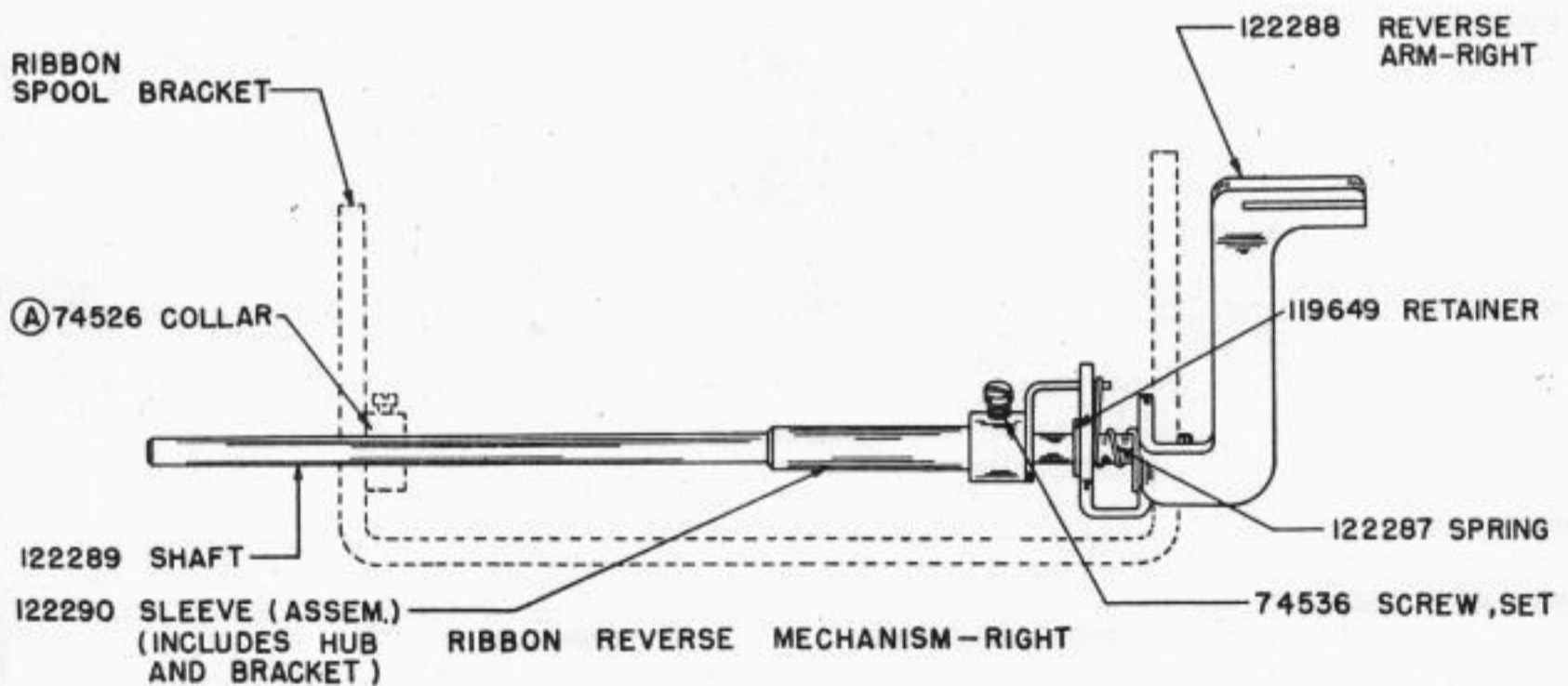
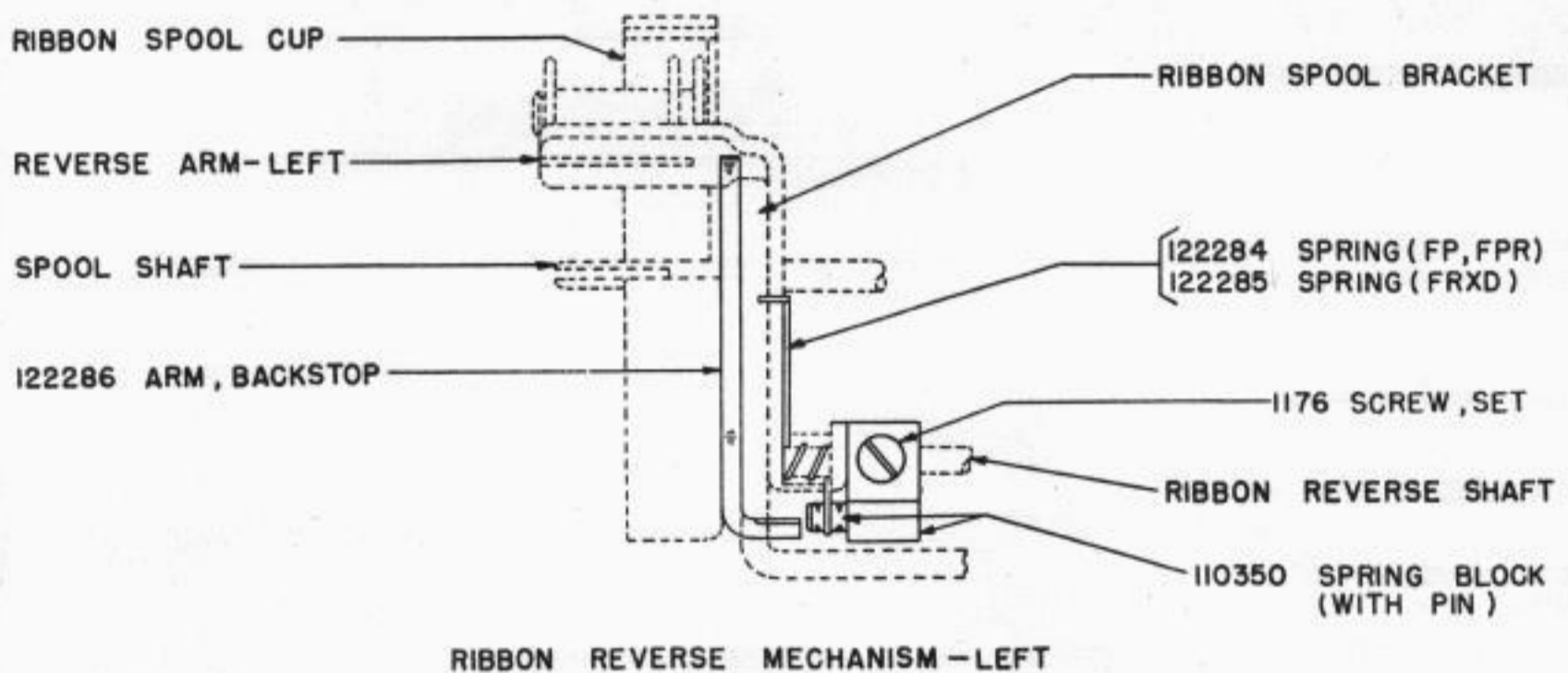
1028, ISSUE 2, PAGE 4
1030, ISSUE 2, PAGE 4
1031, ISSUE 3, PAGE 5

TYPING
REPERFORATOR (FPR)

1082, ISSUE 2, PAGE 16
1088, ISSUE 2, PAGE 8
1100, ISSUE 2, PAGE 7
1117, ISSUE 2, PAGE 9,10

REPERFORATOR
TRANSMITTER (FRXD)

1108, ISSUE 1, PAGE 9
1126, ISSUE 1, PAGE 8



113665 SET OF RIBBON REVERSE ARM YIELD SPRING AND
BACKSTOP PARTS (EXCLUDES PART MARKED (A))

(A) THE 74526 COLLAR (5/16" O.D.) REPLACES THE 7039 COLLAR (3/8" O.D.) ON THE RIBBON
REVERSE SHAFTS ON ALL MODEL 14 UNITS.

CHANGES AND ADDITIONS TO PARTS BULLETINS

1028B, Issue 2, Model 14 Type Bar Tape Printer
1030B, Issue 2, Model 14 Type Bar Tape Printer
1031B, Issue 3, Model 14 Type Bar Tape Printer
~~1082B, Issue 2, Model 14 Typing Reperforator~~
1088B, Issue 2, Model 14 Typing Reperforator
1100B, Issue 2, Model 14 Typing Reperforator
1108B, Issue 2, Model 14 Reperforator Transmitter
1117B, Issue 2, Model 14 Portable Sending Receiving
Typing Reperforator Transmitter
Distributor Set
1126B, Issue 1, Model 14 Reperforator Transmitter

To standardize parts used on various units, the 74526 collar (5/16" O.D.) replaces the 7039 collar (3/8" O.D.) on the ribbon reverse shafts.

Two 124512 hardened washers should be installed on the 3154 shaft, one on each side of the 6743 or 98877 operating arm.

*NOTE: The two 124512 washers can be added only when the dimension of the operating arm at the bearing surfaces has been reduced from .872" to .792".

* * *

CHANGES IN TELETYPE PARTS BULLETINS

1028B, Issue 2	1073B, Issue 1	1109B, Issue 1	1131B, Issue 1
1030B, Issue 2	1074B, Issue 2	1110B, Issue 2	1138B, Issue 1
1031B, Issue 3	1080B, Issue 1	1116B, Issue 1	1141B, Issue 1
1041B, Issue 4	1087B, Issue 2	1117B, Issue 2	1142B, Issue 1
1063B, Issue 2	1088B, Issue 2	1121B, Issue 1	1143B, Issue 3
1064B, Issue 2	1100B, Issue 2	1125B, Issue 1	1144B, Issue 1
1068B, Issue 1	1107B, Issue 1	1126B, Issue 1	1150B, Issue 1
1072B, Issue 2	1108B, Issue 2	1130B, Issue 1	1151B, Issue 1

This correction sheet has been revised to include only those bulletins pertinent to the subject matter.

To provide improved performance with respect to maintenance of friction clutches and the selector end of main shafts, the following graphite impregnated felt washers and wicks replace the standard felt washers and wicks as indicated below:

Old Style	Description	Graphite Impregnated
6861	Washer	122741
72883	Washer	122743
74085	Washer	122744
74800	Washer	122745
76084	Washer	*76084
77019	Washer	122747
105045	Wick	122752
113952	Washer	122748

*Retains Old Number.

The 91265 cam sleeve (holding magnet) has been replaced by a 122754 cam sleeve.

The 115232 cam sleeve for the sequential selector has been replaced by a 129674 cam sleeve.

NOTE: The new cam sleeves have a graphite loaded bushing.

New and old style parts are interchangeable.

* * *

CHANGES AND ADDITIONS TO MODEL 14 PARTS BULLETINS

<u>Type Bar Tape Printer (FP)</u>	<u>Typing Reperforator (FPR)</u>	<u>Reperforator Transmitter (FRXD)</u>	<u>Non-Typing Selector (FS)</u>
1028B, Issue 2	1088B, Issue 2	1108B, Issue 2	1083B, Issue 1
1030B, Issue 2	1100B, Issue 2	1126B, Issue 1	1107B, Issue 1
1031B, Issue 3	1117B, Issue 2		

The 6972 typebar backstop assembly has been replaced by a 124535 typebar backstop (with .125" sirvene strip). See Figure 1. The new backstop is applicable at all operating speeds.

A 120553 friction disk assembly has been added to the main shaft assembly and is installed in the hollow of the main shaft gear. One of the 6746 screws and 2191 lock washers fastening the gear to the hub has been replaced by an 8543 screw which allows the button of the friction disk to mount in the hole in which the 8543 screw is used. The 72884 disk has been replaced by a 111686 disk. See Figure 2.

Two 72563 felt washers have been added to all cam sleeve assemblies used with holding type selectors. The 122754 (formerly 91265) cam sleeve assembly illustrated in Figure 3 shows the washers installed between the stop arm and armature lever cam and also between the armature lever cam and the locking lever cam. These washers are not a part of the cam sleeve assemblies and must be ordered separately.

A terminal block is now provided in place of a switch for changing the selector magnet coil connections from series to parallel and vice verse.

On Model 14 Typing Units the 97298 series - parallel switch assembly has been replaced by a 113702 terminal block assembly (with 5000 ohm resistor).

On Model 14 Typing Reperforators the 97298 series - parallel switch assembly has been replaced by a 113702 terminal block assembly (with 5000 ohm resistor) and the 106801 series - parallel switch assembly has been replaced by a 123913 terminal block assembly (with 5000 ohm and 1000 ohm resistors).

On Model 14 Reperforator Transmitters the 97298 series - parallel switch assembly has been replaced by a 123913 terminal block assembly (with 5000 ohm and 1000 ohm resistors).

On Model 14 Non-Typing Selectors the 101825 series - parallel switch assembly has been replaced by a 113702 terminal block assembly (with 5000 ohm resistor).

To standardize on a single type of selector post for all selector units the 8470 post, (.869" long) has been replaced by a 78164 post (.937" long).

For location of the following parts see 513EE, issued in conjunction with Bulletin 1031B.

To provide increased screw thread engagement the 125110 (33-9) screws used to mount the 91085 tape tension lever have been replaced by 125109 screws.

The 125119 (33-278) screw used to mount the 91083 latch has been replaced by a 103699 screw.

New and old style parts are interchangeable.

The following information applies only to the bulletins listed below:

Bulletin 1126B, Page 1

The 110381 cover plate has been replaced by a 117755 cover plate.

Bulletin 1108B, Page 1

Bulletin 1126B, Page 1

The 74026 spacer used with the 112626 (34-4) nut and 2669 lock washer has been replaced by an additional 112626 nut.

The 6746 screw and 2191 lock washer securing the 117755 cover plate have been replaced by a 76667 post.

Add 34432 washer and 112626 nut to the 78301 screw securing the gear guard.
Add 34432 washer to the 6810 screw securing the gear guard.

Bulletin 1108B, Page 7

Bulletin 1126B, Page 17

The 6799 screw which mounts the 102415 shift latch has been replaced by a 124223 screw having a shorter thread length.

Bulletin 1108B, Page 19

Bulletin 1126B, Page 18

The 102221 stripper springs have been replaced by 124661 stripper springs. Tension when measured shall be a minimum of 4 ozs.

New and old style parts are interchangeable.

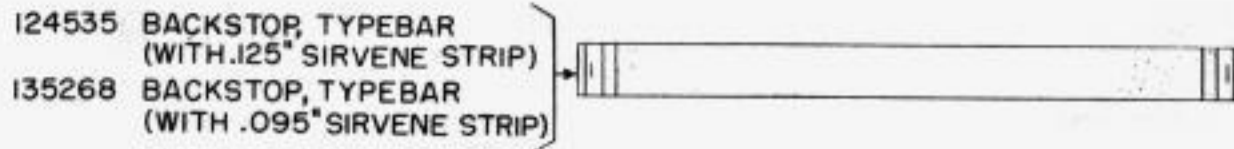


FIGURE 1

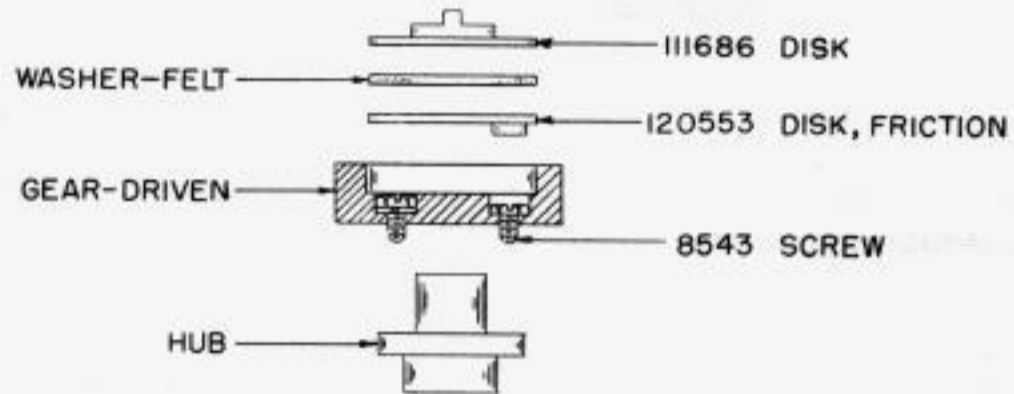


FIGURE 2

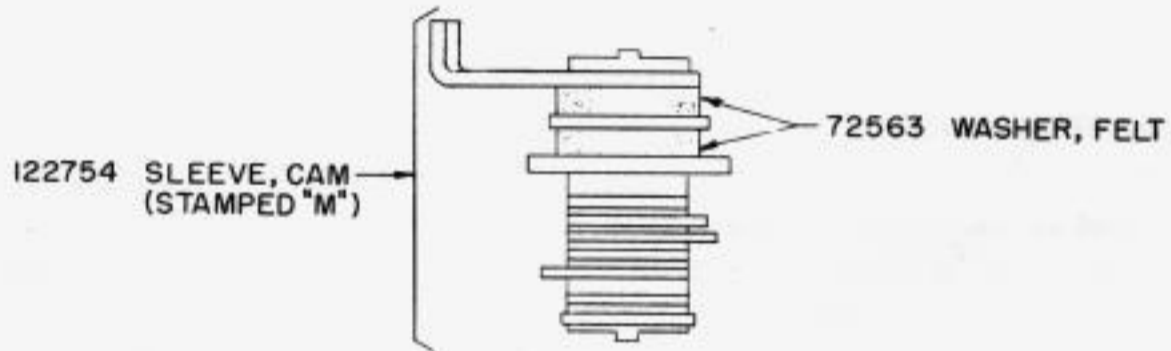
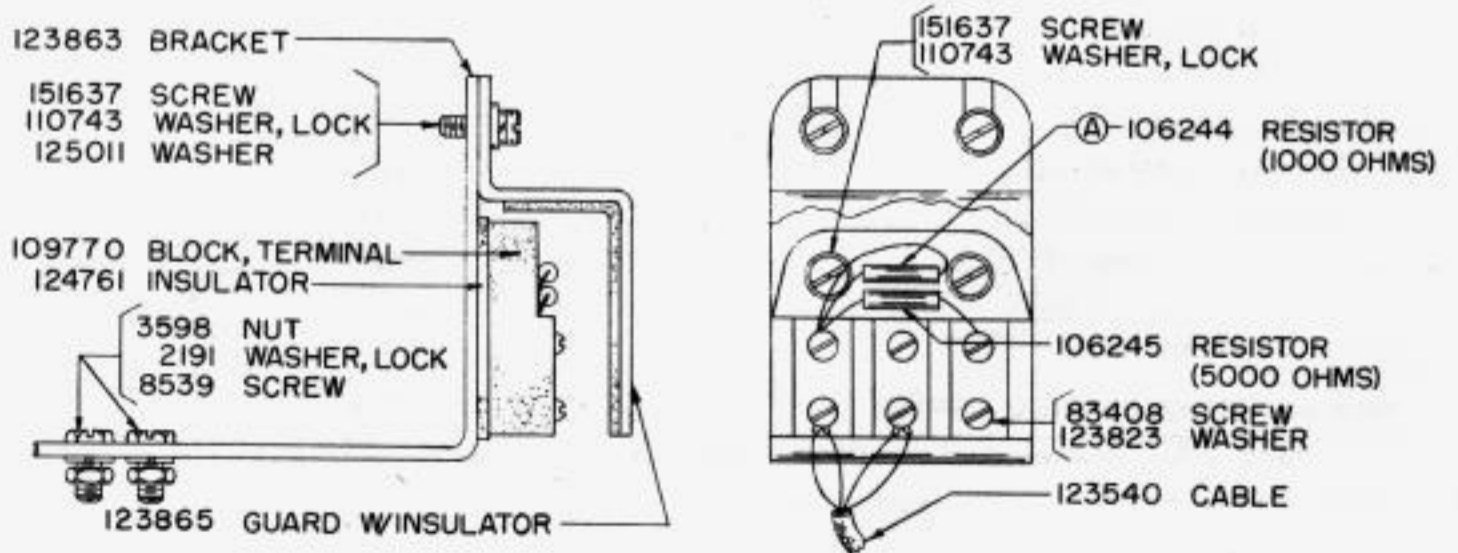


FIGURE 3



113702 BLOCK ASSEMBLY, TERMINAL (SERIES-PARALLEL)
(EXCLUDES PART MARKED Ⓐ)

123913 BLOCK ASSEMBLY, TERMINAL (SERIES-PARALLEL)
(INCLUDES PART MARKED Ⓐ)

FIGURE 4

CHANGES AND ADDITIONS
TO BULLETINS 1028B (ISSUE 2), 1030B (ISSUE 2) AND 1031B (ISSUE 3)
MODEL 14 TYPE BAR TAPE PRINTER (FP) - PARTS

The 6908 and 75488 base plate assemblies have been replaced by a 105601 base plate assembly. The main bail bracket mounting holes and the type bar segment mounting holes of the new style base have been increased in diameter to facilitate concentric positioning of these assemblies. Locating links are provided at the two outer mounting holes for the main bail bracket and type bar segment on the under side of the base plate. Screws with notched heads are used for fastening the positioning links after they are properly adjusted. Four holes, 3/8" dia., have been provided to permit access to the screws mounting the pull bar spring plates. Another hole for positioning a locating gauge has also been included. See Figure 1.

To enable concentric positioning of the main bail and code bars, a 124479 locating gauge has been provided for use in repair shops. See Figure 2. This gauge, however, may be used only with the new style bases which include the hole for positioning the gauge.

The 91899 type bar segment with posts (formerly 6890) retains its original number but has been redesigned with a square fulcrum rod slot instead of a radial slot. The radius of the segment shoulder, against which the spring plates rest, has been decreased to obtain closer adjustment for the pull bar-type bar engagement. The 6825 spring bracket has been redesigned to correspond and also retains its original number.

The two 6826 spring brackets have been replaced by one 124146 bracket-left and one 124147 bracket-right.

The 6746 hex head screws and 7002 washers used to secure the 6825, 124146 and 124147 spring brackets have been replaced by 151658 button head screws and 8330 washers to allow greater adjustment.

The 7037 spacer washers have been replaced by 124148 spacer washers. New style spacer washers can only be used with new style type bar segment.

The type bars have been modified with a contour change at the pallet end. This change effects only the appearance of the type bar, and since old and new style type bars are interchangeable and can be readily identified, old part numbers have been retained.

A modified type bar backstop with a .095" thick sirvene strip has been assigned Part No. 135268 and is for use only with all new style type bars (contour changed at pallet end). The 124535 backstop with .125" thick sirvene strip (illustrated in 833EE) will still be used with all old style or with mixed old and new style type bars since the modified backstop would cause interference between the tails of the old style type bars and adjacent pull bars.

To improve main clutch operation on units incorporating a 74502 driven clutch (formerly 6840) and operating at 75 wpm, the 6993 clutch spring has been replaced by a 122059 clutch spring. The 6993 spring is still used

on units operating at 60 wpm. For identification the 122059 spring has one full turn at one end painted yellow.

The 113693 set of parts to provide an oil shield for a holding magnet selector is now available. See Figure 3 for parts ordering information.

New and old style parts are interchangeable, except as noted.

*

*

*

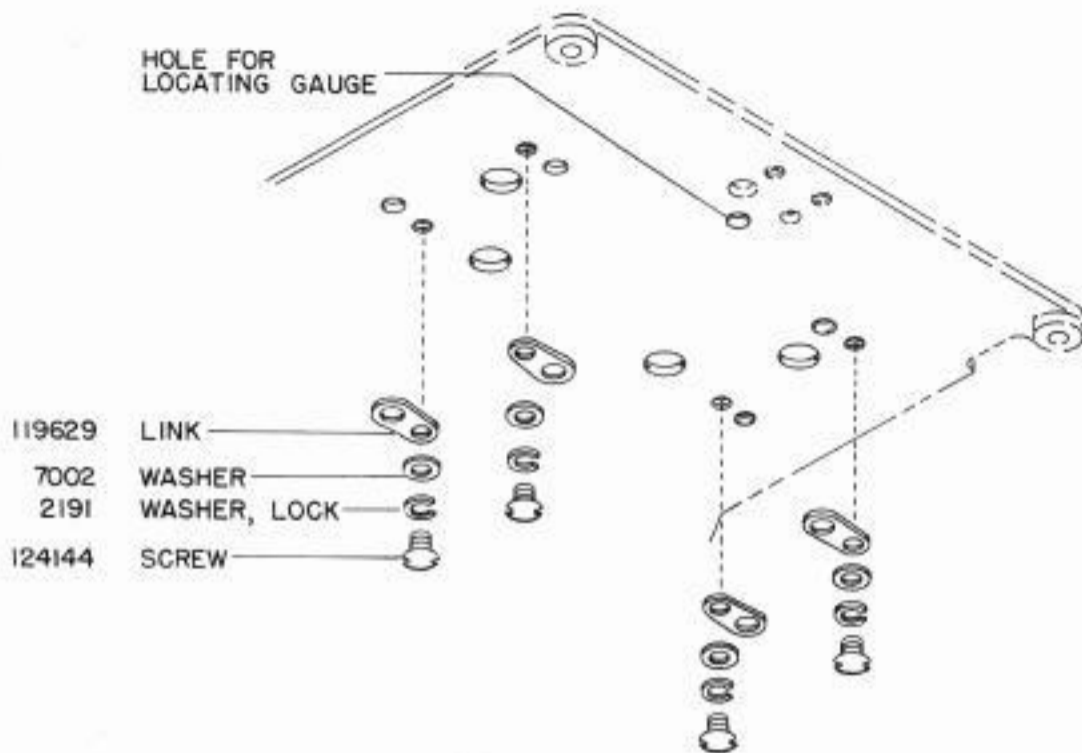
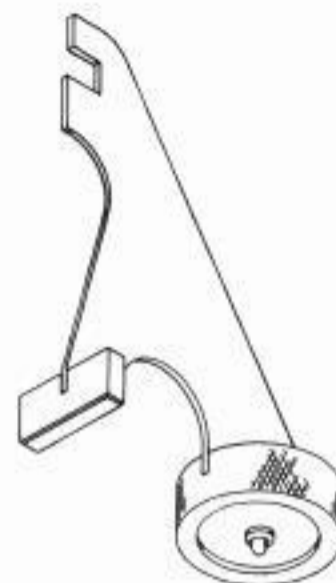
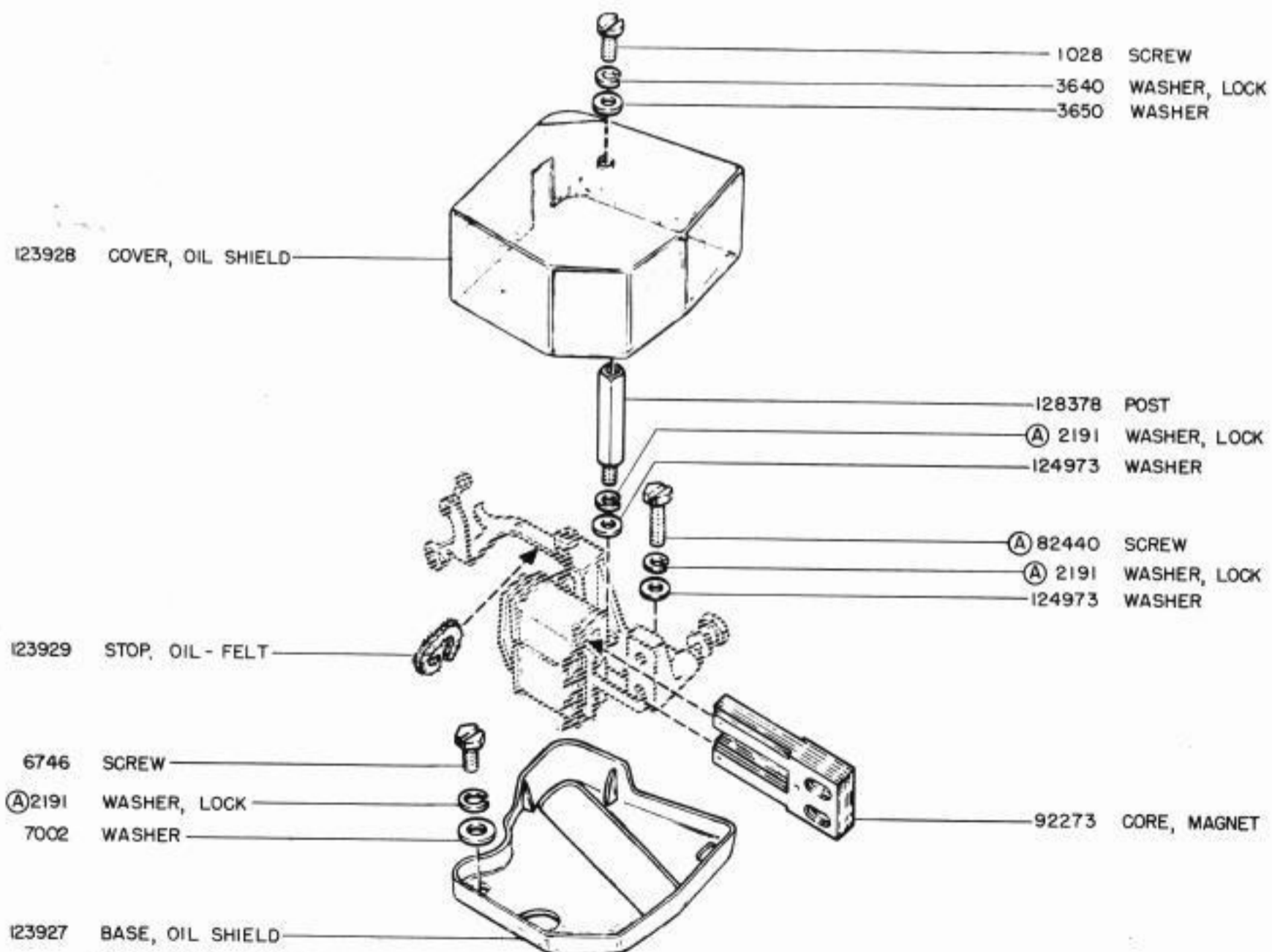


FIGURE 1



124479 LOCATING GAUGE

FIGURE 2



113693 SET OF PARTS TO PROVIDE AN OIL SHIELD FOR THE HOLDING MAGNET SELECTOR
(EXCLUDES PARTS MARKED (A))

FIGURE 3

BULLETIN NO. 1030

ISSUE 2

APRIL, 1932

TELETYPE

PRINTING TELEGRAPH SYSTEMS

PARTS

MODEL 14 TYPEBAR TAPE TELETYPE
(STANDARD AND FOREIGN)



INCORPORATED
CORPORATION

SUBSIDIARY OF

Western Electric Company

CHICAGO, U.S.A.

BULLETIN NO. 1030

ISSUE 2

APRIL, 1932

TELETYPE

PRINTING TELEGRAPH SYSTEMS

PARTS

MODEL 14 TYPEBAR TAPE TELETYPE
(STANDARD AND FOREIGN)

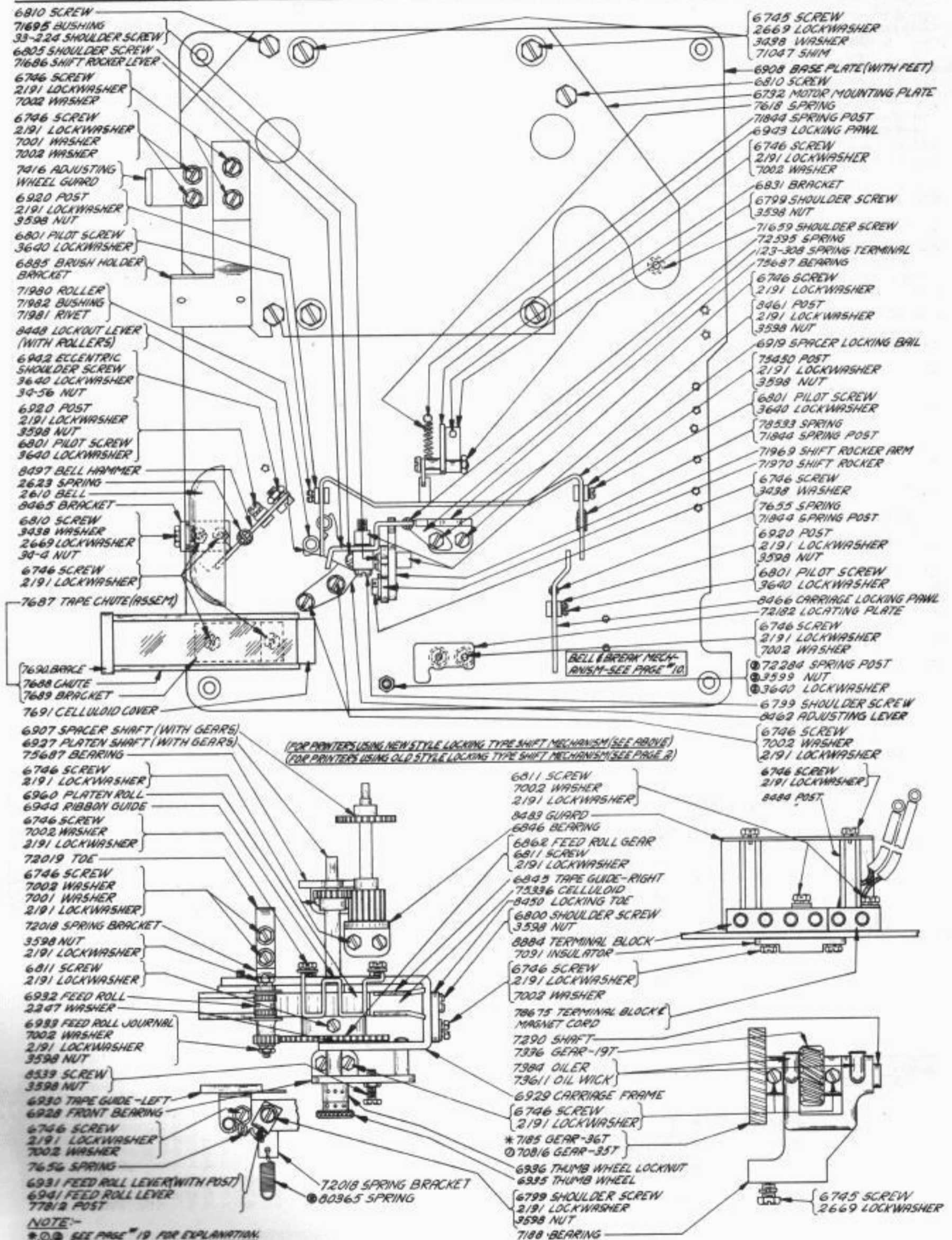


REG. U.S. PAT. OFF.
CORPORATION

SUBSIDIARY OF

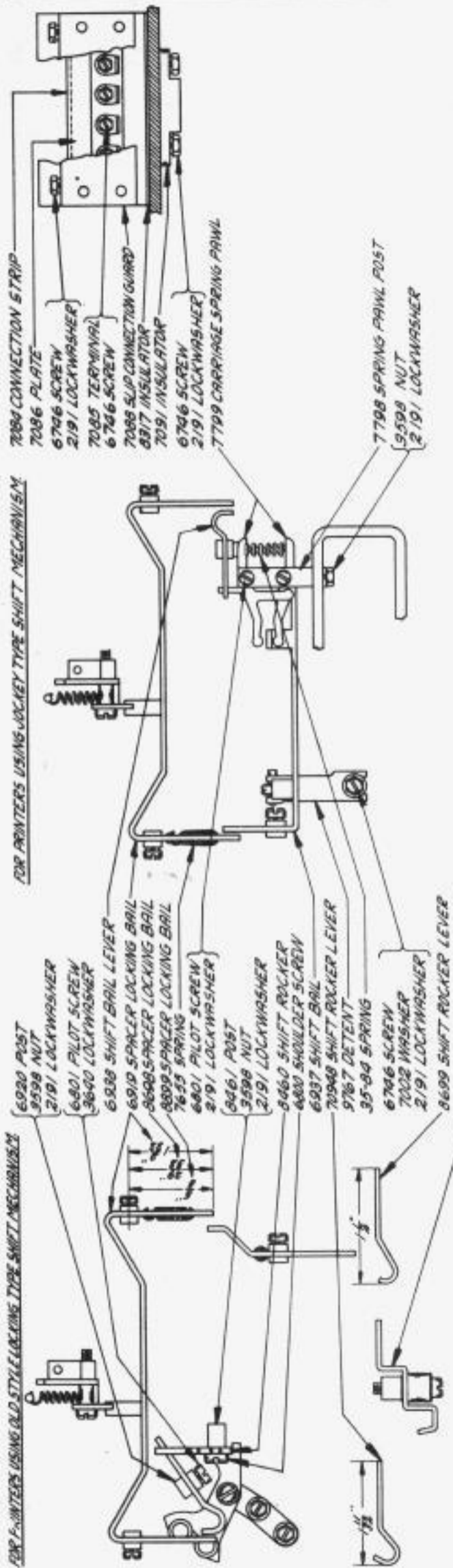
Western Electric Company

CHICAGO, U.S.A.

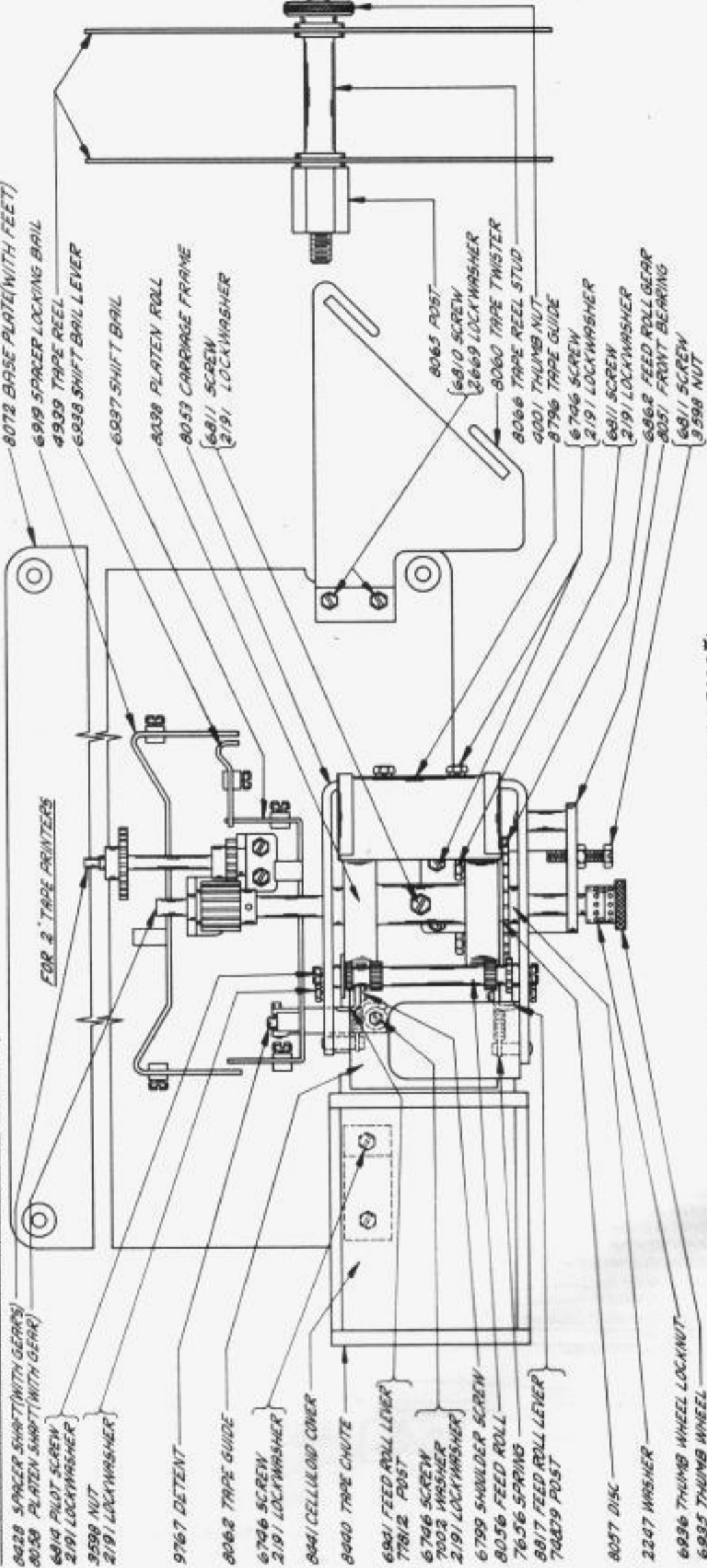


FOR PRINTERS USING OLD STYLE LOCKING TYPE SHIFT MECHANISM

FOR PRINTERS USING JOCKEY TYPE SHIFT MECHANISM



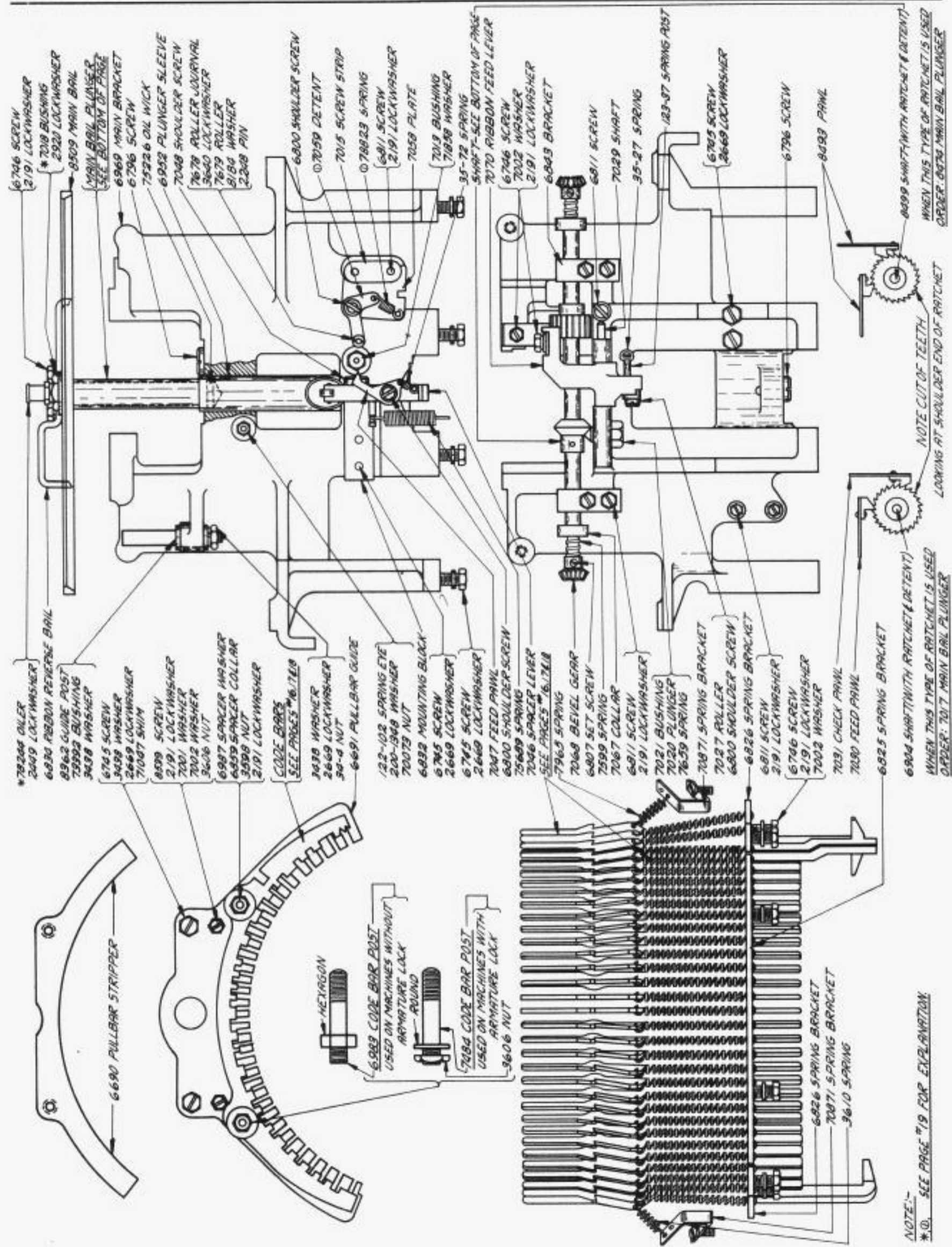
NOTE:
FOR PRINTERS USING NEW STYLE LOCKING SHIFT MECHANISM (SEE PAGE 1)



PARTS NOT SHOWN ON THIS PAGE ARE THE SAME AS SHOWN ON PAGE #1

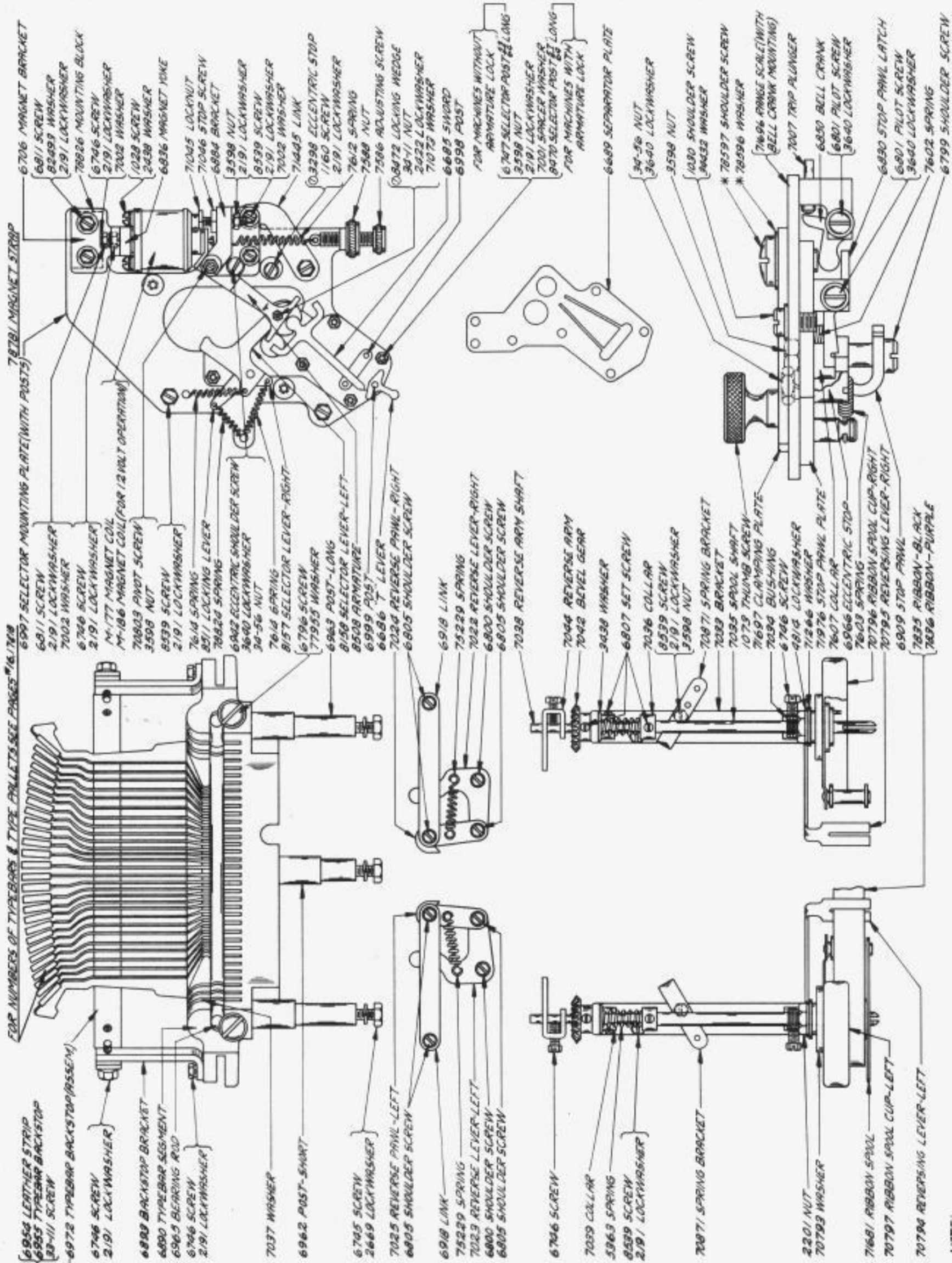
- 7084 CONNECTION STRIP
- 7086 PLATE
- 6746 SCREW
- 2191 LOCKWASHER
- 7085 TERMINAL
- 6746 SCREW
- 7088 SLIP CONNECTION GUARD
- 8817 INSULATOR
- 7091 INSULATOR
- 6746 SCREW
- 2191 LOCKWASHER
- 7799 CARRIAGE SPRING PAWL
- 7798 SPRING PAWL POST
- 3598 NUT
- 2191 LOCKWASHER

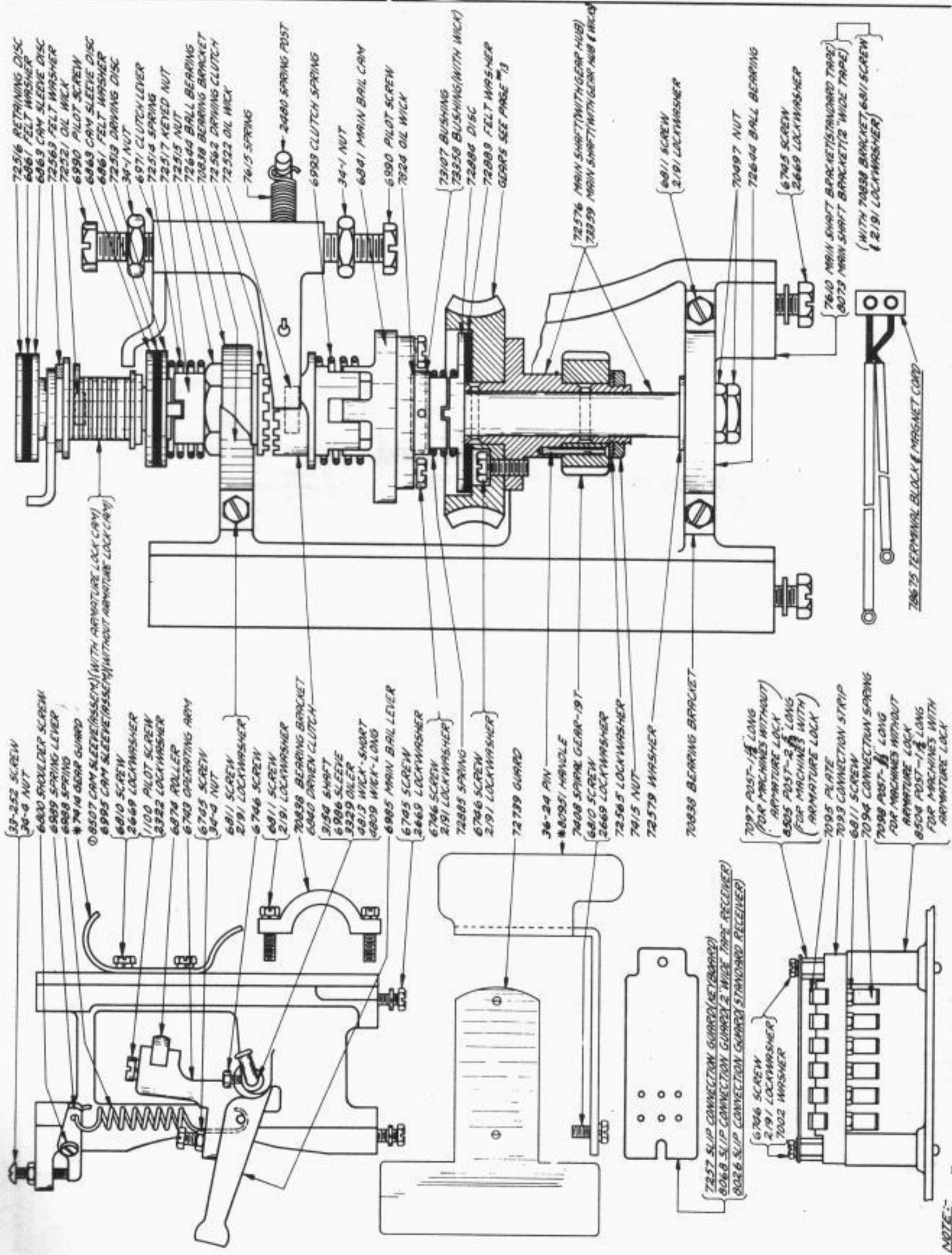
- 8072 BASE PLATE (WITH FEET)
- 6919 SPACER LOCKING BAIL
- 4939 TAPE REEL
- 6938 SHIFT BAIL LEVER
- 6937 SHIFT BAIL
- 8038 PLATEN ROLL
- 8053 CARRIAGE FRAME
- 6811 SCREW
- 2191 LOCKWASHER
- 8065 POST
- 6810 SCREW
- 2669 LOCKWASHER
- 8060 TAPE TWISTER
- 8066 TAPE REEL STUD
- 9001 THUMB NUT
- 8796 TAPE GUIDE
- 6746 SCREW
- 2191 LOCKWASHER
- 6811 SCREW
- 2191 LOCKWASHER
- 6868 FEED ROLL GEAR
- 8051 FRONT BEARING
- 6811 SCREW
- 9598 NUT



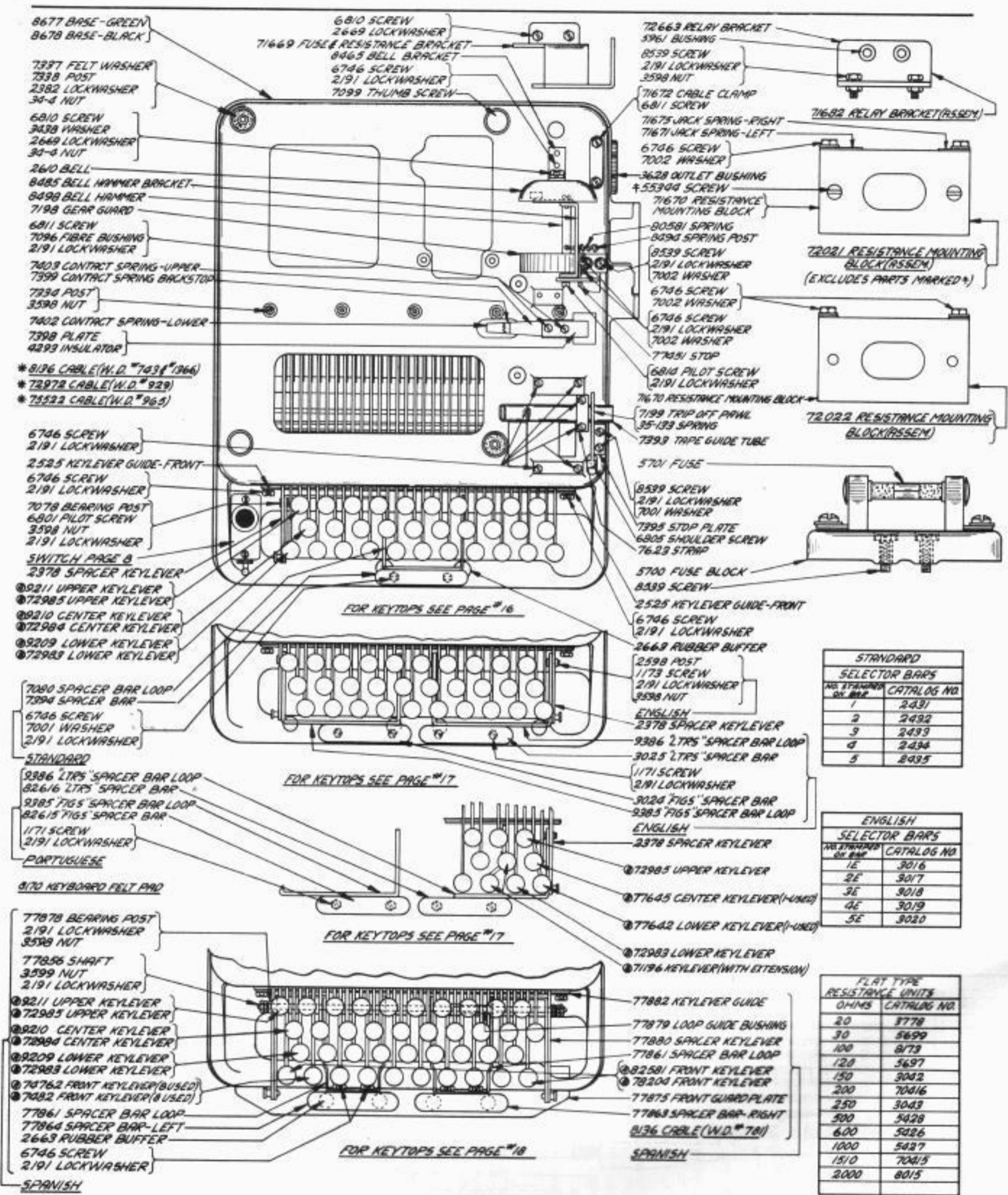
- 6746 SCREW
- 2191 LOCKWASHER
- * 7018 BUSHING
- 2920 LOCKWASHER
- 8509 MAIN BAIL
- MAIN BAIL PLUNGER
- SEE BOTTOM OF PAGE
- 6969 MAIN BRACKET
- 6796 SCREW
- 75226 OIL WICK
- 6952 PLUNGER SLEEVE
- 7048 SHOULDER SCREW
- 7678 ROLLER JOURNAL
- 3660 LOCKWASHER
- 7679 ROLLER
- 8184 WASHER
- 2308 PIN
- 6800 SHOULDER SCREW
- 07059 DETENT
- 7015 SCREW STRIP
- 078823 S-SPRING
- 6811 SCREW
- 2191 LOCKWASHER
- 7058 PLATE
- 7019 BUSHING
- 71858 WASHER
- 35-72 S-SPRING
- SHAFT-SEE BOTTOM OF PAGE
- 7070 RIBBON FEED LEVER
- 6746 SCREW
- 7002 WASHER
- 2191 LOCKWASHER
- 6843 BRACKET
- 6811 SCREW
- 7029 SHAFT
- 35-27 S-SPRING
- 123-87 SPRING ROST
- 6785 SCREW
- 2669 LOCKWASHER
- 6796 SCREW
- 8093 PAWL
- 8099 SHAFT-WITH RATCHET (DETENT)
- WHEN THIS TYPE OF RATCHET IS USED ORDER: 8078 MAIN BAIL PLUNGER
- NOTE CUT OF TEETH LOOKING AT SHOULDER END OF RATCHET
- 6746 SCREW
- 2191 LOCKWASHER
- 8093 PAWL
- 7080 FEED PAWL
- 6825 SPRING BRACKET
- 6904 SHAFT-WITH RATCHET (DETENT)
- WHEN THIS TYPE OF RATCHET IS USED ORDER: 7017 MAIN BAIL PLUNGER
- 6899 SCREW
- 2191 LOCKWASHER
- 6786 SCREW
- 2191 LOCKWASHER
- 7002 WASHER
- 7091 CHECK PAWL
- 7080 FEED PAWL
- 6825 SPRING BRACKET
- 6904 SHAFT-WITH RATCHET (DETENT)
- WHEN THIS TYPE OF RATCHET IS USED ORDER: 7017 MAIN BAIL PLUNGER
- 7963 S-SPRING
- 7068 BEVEL GEAR
- 6807 SET SCREW
- 7599 S-SPRING
- 7067 COLLAR
- 6811 SCREW
- 2191 LOCKWASHER
- 7021 BUSHING
- 7020 PLUNGER
- 7659 S-SPRING
- 70871 SPRING BRACKET
- 7027 ROLLER
- 6800 SHOULDER SCREW
- 6826 SPRING BRACKET
- 6811 SCREW
- 2191 LOCKWASHER
- 6786 SCREW
- 2191 LOCKWASHER
- 7002 WASHER
- 7091 CHECK PAWL
- 7080 FEED PAWL
- 6825 SPRING BRACKET
- 6904 SHAFT-WITH RATCHET (DETENT)
- WHEN THIS TYPE OF RATCHET IS USED ORDER: 7017 MAIN BAIL PLUNGER
- 6826 SPRING BRACKET
- 70871 SPRING BRACKET
- 3610 S-SPRING
- NOTE: SEE PAGE 19 FOR EXPLANATION.
- * 78246 OILER
- 2499 LOCKWASHER
- 6890 RIBBON REVERSE BAIL
- 8362 GUIDE POST
- 7992 BUSHING
- 3438 WASHER
- 6745 SCREW
- 3498 WASHER
- 2669 LOCKWASHER
- 71007 SHIM
- 8079 SCREW
- 2191 LOCKWASHER
- 7001 WASHER
- 7002 WASHER
- 3606 NUT
- 6987 SPACER WASHER
- 6559 SPACER COLLAR
- 3598 NUT
- 2191 LOCKWASHER
- CODE BARS
- SEE PAGES 16, 17, 18
- 3478 WASHER
- 2669 LOCKWASHER
- 3606 NUT
- 6691 PULLBAR GUIDE
- 122-102 SPRING ETC
- 200-1848 WASHER
- 70073 NUT
- 6832 MOUNTING BLOCK
- 6745 SCREW
- 2669 LOCKWASHER
- 6745 SCREW
- 2669 LOCKWASHER
- 7087 FEED PAWL
- 6800 SHOULDER SCREW
- 75689 S-SPRING
- 7046 SPACER LEVER
- SEE PAGES 16, 17, 18
- 6691 PULLBAR STRIPPER
- 6983 CODE BAR POST
- USED ON MACHINES WITHOUT
- ARMATURE LOCK
- ROUND
- 7084 CODE BAR POST
- USED ON MACHINES WITH
- ARMATURE LOCK
- 3606 NUT
- HEXAGON

NOTE: SEE PAGE 19 FOR EXPLANATION.





NOTE: SEE PAGE #19 & 20 FOR EXPLANATION



- 8677 BASE-GREEN
- 8678 BASE-BLACK
- 7377 FELT WASHER
- 7338 POST
- 2382 LOCKWASHER
- 34-4 NUT
- 6810 SCREW
- 3438 WASHER
- 2669 LOCKWASHER
- 30-4 NUT
- 2640 BELL
- 8485 BELL HAMMER BRACKET
- 8498 BELL HAMMER
- 7198 GEAR GUARD
- 6811 SCREW
- 7096 FIBRE BUSHING
- 2191 LOCKWASHER
- 7403 CONTACT SPRING-UPPER
- 7399 CONTACT SPRING BACKSTOP
- 7394 POST
- 3598 NUT
- 7402 CONTACT SPRING-LOWER
- 7398 PLATE
- 4293 INSULATOR
- * 8136 CABLE (W.D. #7431/1366)
- * 72972 CABLE (W.D. #929)
- * 75522 CABLE (W.D. #965)

- 6746 SCREW
- 2191 LOCKWASHER
- 2525 KEYLEVER GUIDE-FRONT
- 6746 SCREW
- 2191 LOCKWASHER
- 7078 BEARING POST
- 6801 PILOT SCREW
- 3598 NUT
- 2191 LOCKWASHER
- SWITCH PAGE 8
- 2378 SPACER KEYLEVER
- 9211 UPPER KEYLEVER
- 72985 UPPER KEYLEVER
- 9210 CENTER KEYLEVER
- 72984 CENTER KEYLEVER
- 9209 LOWER KEYLEVER
- 72983 LOWER KEYLEVER

- 7080 SPACER BAR LOOP
- 7394 SPACER BAR
- 6746 SCREW
- 7001 WASHER
- 2191 LOCKWASHER
- STANDARD
- 9386 2TRS SPACER BAR LOOP
- 82616 2TRS SPACER BAR
- 9385 7IG5 SPACER BAR LOOP
- 82615 7IG5 SPACER BAR
- 1171 SCREW
- 2191 LOCKWASHER
- PORTUGUESE
- 8170 KEYBOARD FELT PAD

- 77878 BEARING POST
- 2191 LOCKWASHER
- 3598 NUT
- 77856 SHAFT
- 3599 NUT
- 2191 LOCKWASHER
- 9211 UPPER KEYLEVER
- 72985 UPPER KEYLEVER
- 9210 CENTER KEYLEVER
- 72984 CENTER KEYLEVER
- 9209 LOWER KEYLEVER
- 72983 LOWER KEYLEVER
- 74762 FRONT KEYLEVER (USED)
- 7482 FRONT KEYLEVER (8 USED)
- 77861 SPACER BAR LOOP
- 77864 SPACER BAR-LEFT
- 2669 RUBBER BUFFER
- 6746 SCREW
- 2191 LOCKWASHER
- SPANISH

- 6810 SCREW
- 2669 LOCKWASHER
- 71669 FUSE & RESISTANCE BRACKET
- 8465 BELL BRACKET
- 6746 SCREW
- 2191 LOCKWASHER
- 7099 THUMB SCREW

- 72663 RELAY BRACKET
- 3961 BUSHING
- 8539 SCREW
- 2191 LOCKWASHER
- 3598 NUT
- 71672 CABLE CLAMP
- 6811 SCREW
- 71675 JACK SPRING-RIGHT
- 71671 JACK SPRING-LEFT
- 71682 RELAY BRACKET (ASSEMBLY)

- 6746 SCREW
- 7002 WASHER
- 3628 OUTLET BUSHING
- * 55394 SCREW
- 71670 RESISTANCE MOUNTING BLOCK
- 80581 SPRING
- 80983 SPRING POST
- 8539 SCREW
- 2191 LOCKWASHER
- 7002 WASHER
- 72021 RESISTANCE MOUNTING BLOCK (ASSEMBLY) (EXCLUDES PARTS MARKED *)

- 6746 SCREW
- 7002 WASHER
- 6746 SCREW
- 2191 LOCKWASHER
- 7002 WASHER
- 77381 STOP
- 6810 PILOT SCREW
- 2191 LOCKWASHER
- 71670 RESISTANCE MOUNTING BLOCK
- 72022 RESISTANCE MOUNTING BLOCK (ASSEMBLY)

- 7199 TRIP OFF PAWL
- 35-133 SPRING
- 7399 TAPE GUIDE TUBE
- 5701 FUSE
- 8539 SCREW
- 2191 LOCKWASHER
- 7001 WASHER
- 7395 STOP PLATE
- 6805 SHOULDER SCREW
- 7623 STRAP
- 5700 FUSE BLOCK
- 8539 SCREW

- 2525 KEYLEVER GUIDE-FRONT
- 6746 SCREW
- 2191 LOCKWASHER
- 2669 RUBBER BUFFER
- 2598 POST
- 1173 SCREW
- 2191 LOCKWASHER
- 3598 NUT
- ENGLISH
- 2378 SPACER KEYLEVER
- 9386 2TRS SPACER BAR LOOP
- 3025 2TRS SPACER BAR
- 1171 SCREW
- 2191 LOCKWASHER
- 3024 7IG5 SPACER BAR
- 9385 7IG5 SPACER BAR LOOP
- ENGLISH
- 2378 SPACER KEYLEVER
- 72985 UPPER KEYLEVER
- 77645 CENTER KEYLEVER (UNUSED)
- 77642 LOWER KEYLEVER (UNUSED)
- 72983 LOWER KEYLEVER
- 7196 KEYLEVER (WITH EXTENSION)

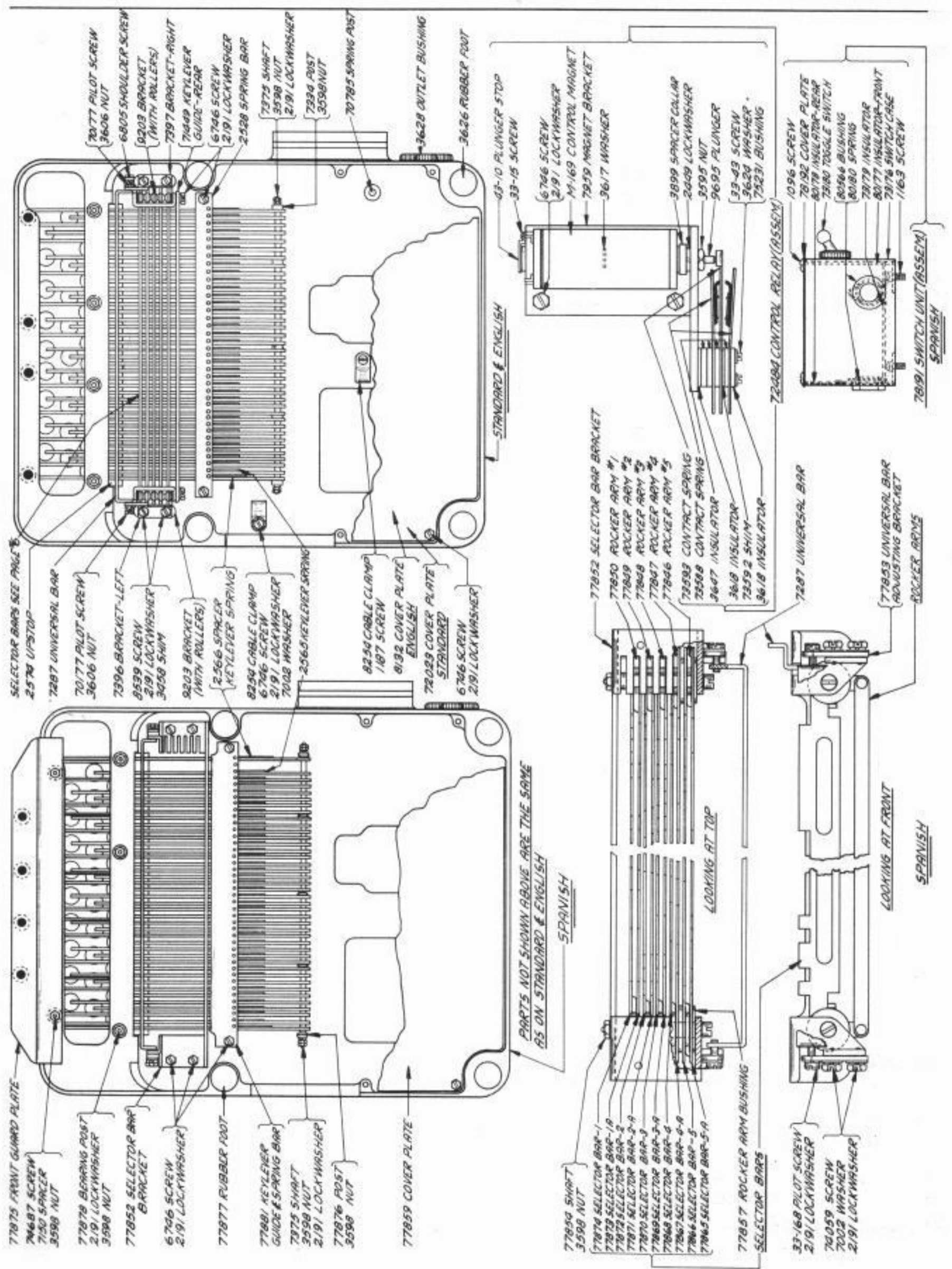
STANDARD SELECTOR BARS	
NO. STANDARD OR BAR	CATALOG NO.
1	2431
2	2432
3	2433
4	2434
5	2435

ENGLISH SELECTOR BARS	
NO. STANDARD OR BAR	CATALOG NO.
1E	3016
2E	3017
3E	3018
4E	3019
5E	3020

FLAT TYPE RESISTANCE UNITS	
OHMS	CATALOG NO.
20	3778
30	5699
100	8173
120	5697
150	3042
200	70816
250	3043
300	5428
600	5026
1000	5427
1510	70815
2000	8015

NOTE:
 ① FOR USE WITH PNEUMATIC KEYTOPS
 ② FOR USE WITH CELLULOID KEYTOPS
 * SEE PAGE 20 FOR EXPLANATION.

35080 BEZEL (USED WITH CELLULOID KEYTOPS)



- 70777 PILOT SCREW
- 3606 NUT
- 6805 SHOULDER SCREW
- 9203 BRACKET (WITH ROLLERS)
- 7397 BRACKET-RIGHT
- 7149 KEYLEVER GUIDE-REAR
- 6746 SCREW
- 2191 LOCKWASHER
- 2528 SPRING BAR
- 7275 SHAFT
- 3598 NUT
- 2191 LOCKWASHER
- 7394 POST
- 3598 NUT
- 70785 SPRING POST
- 3628 OUTLET BUSHING
- 3626 RUBBER FOOT
- 70777 PILOT SCREW
- 3606 NUT
- 7396 BRACKET-LEFT
- 8599 SCREW
- 2191 LOCKWASHER
- 3458 SHIM
- 9203 BRACKET (WITH ROLLERS)
- 2566 SPACER KEYLEVER SPRING
- 8254 CABLE CLAMP
- 6746 SCREW
- 2191 LOCKWASHER
- 7008 WASHER
- 2565 KEYLEVER SPRING
- 8254 CABLE CLAMP
- 187 SCREW
- 8132 COVER PLATE ENGLISH
- 78029 COVER PLATE STANDARD
- 6746 SCREW
- 2191 LOCKWASHER

- 63-10 PLUNGER STOP
- 33-15 SCREW
- 6746 SCREW
- 2191 LOCKWASHER
- M-169 CONTROL MAGNET
- 7959 MAGNET BRACKET
- 3617 WASHER
- 3899 SPACER COLLAR
- 2409 LOCKWASHER
- 3595 NUT
- 9695 PLUNGER
- 33-23 SCREW
- 3624 WASHER
- 75231 BUSHING
- 1096 SCREW
- 78192 COVER PLATE
- 80178 INSULATOR-REAR
- 7580 TOGGLE SWITCH
- 60566 BUSHING
- 80180 SPRING
- 78179 INSULATOR-FRONT
- 80177 INSULATOR-FRONT
- 78176 SWITCH CASE
- 1163 SCREW
- 72484 CONTROL RELAY (ASSEMBLY)
- 78191 SWITCH UNIT (ASSEMBLY) SPANISH

- 77875 FRONT GUARD PLATE
- 71487 SCREW
- 7150 SPACER
- 3598 NUT
- 77878 BEARING POST
- 2191 LOCKWASHER
- 3598 NUT
- 77852 SELECTOR BAR BRACKET
- 6746 SCREW
- 2191 LOCKWASHER
- 77877 RUBBER FOOT
- 77881 KEYLEVER GUIDE & SPRING BAR
- 7275 SHAFT
- 3598 NUT
- 2191 LOCKWASHER
- 77876 POST
- 3598 NUT
- 77859 COVER PLATE
- 77852 SELECTOR BAR BRACKET
- 77850 ROCKER ARM #1
- 77849 ROCKER ARM #2
- 77848 ROCKER ARM #3
- 77847 ROCKER ARM #4
- 77846 ROCKER ARM #5
- 72593 CONTACT SPRING
- 72588 CONTACT SPRING
- 3647 INSULATOR
- 3618 INSULATOR
- 73592 SHIM
- 3618 INSULATOR
- 7287 UNIVERSAL BAR
- 77853 UNIVERSAL BAR ADJUSTING BRACKET
- ROCKER ARMS

- 77850 SHAFT
- 3598 NUT
- 77874 SELECTOR BAR-1
- 77873 SELECTOR BAR-1A
- 77872 SELECTOR BAR-2
- 77871 SELECTOR BAR-3-A
- 77870 SELECTOR BAR-3
- 77869 SELECTOR BAR-3-A
- 77868 SELECTOR BAR-4
- 77867 SELECTOR BAR-4-A
- 77866 SELECTOR BAR-5
- 77865 SELECTOR BAR-5-A
- 77857 ROCKER ARM BUSHING
- SELECTOR BARS
- 33-168 PILOT SCREW
- 2191 LOCKWASHER
- 70059 SCREW
- 7002 WASHER
- 2191 LOCKWASHER

PARTS NOT SHOWN ABOVE ARE THE SAME AS ON STANDARD & ENGLISH

SPANISH

LOOKING AT TOP

LOOKING AT FRONT

SPANISH

LOOKING AT TOP

7381 CONTACT MOUNTING (ASSEM.)

6811 SCREW
2191 LOCKWASHER
2526 SPACING COLLAR (SHORT)
75606 SPRING
7383 OILER

2407 LOCKWASHER

7384 OILER
4810 OIL WICK
75607 WASHER

7373 BEARING BUSHING

7382 FRONT BRACKET

7081 SPRING POST

6902 ECCENTRIC SHOULDER SCREW
34-36 NUT
3640 LOCKWASHER

7318 CONTACT LEVER

6814 PILOT SCREW
2191 LOCKWASHER

7387 BRACE

6746 SCREW
2191 LOCKWASHER

3598 NUT
7002 WASHER
2191 LOCKWASHER

7002 WASHER
7407 SPACING COLLAR (LONG)

7654 SHIM
2526 SPACING COLLAR (SHORT)

7304 LOCKOUT LEVER

6746 SCREW
2191 LOCKWASHER

6811 SCREW
2191 LOCKWASHER

9182 CONTACT LEVER SHAFT
3598 NUT

7081 SPRING POST
7965 SPRING

7409 CLUTCH LEVER
3598 NUT
2191 LOCKWASHER
7002 WASHER

7386 POST
200-214 SHIM

7385 REAR BRACKET
(WITH SPRING POSTS)

6800 SHOULDER SCREW
7978 ROLLER

3598 NUT
2629 SPRING
7377 LOCKLOOP

6814 PILOT SCREW
2191 LOCKWASHER

7032 PAWL
6805 SHOULDER SCREW

3598 NUT
2191 LOCKWASHER
7002 WASHER

7002 WASHER
7406 LOCKOUT LEVER SHAFT

LOOKING AT RIGHT SIDE

7380 TRANSMITTER (ASSEM.)
(WITH 7381 CONTACT MOUNTING (ASSEM.))

6811 SCREW (2 USED)
2191 LOCKWASHER (2 USED)
2529 BUSHING

2503 COVER PLATE
2504 INSULATOR STRIP
2502 MOUNTING STRIP

9177 CONTACT STOP
4881 SPRING BACKING
9178 CONTACT SPRING

7381 CONTACT MOUNTING (ASSEM.)

9307 SWITCH (OLD STYLE)
5762 SWITCH COVER

1250 SCREW
1166 SCREW

9599 SWITCH CASE - BLACK
8135 SWITCH CASE - GREEN

2859 INSULATOR
1163 SCREW

1096 SCREW
73678 SWITCH COVER
73181 PUSH BUTTON

* 7339 CAM SLEEVE (ASSEM.)
① 8097 CAM SLEEVE (ASSEM.)
COMPONENT PARTS NOT SOLD.

73671 TOGGLE SWITCH
80178 INSULATOR - REAR
73178 SEPARATOR

80566 BUSHING
80180 SPRING

80205 INSULATOR - FRONT
73672 SWITCH CASE
73179 INSULATOR

1163 SCREW

73679 KEY & SWITCH UNIT
(ASSEM.) - GREEN
(NEW STYLE)

73180 TOGGLE SWITCH
77307 SWITCH COVER GUARD
73181 PUSH BUTTON

1096 SCREW
80178 INSULATOR - REAR
80177 INSULATOR - FRONT

73176 SWITCH CASE
73178 SEPARATOR

73179 INSULATOR
80566 BUSHING
80180 SPRING

1163 SCREW

77308 KEY & SWITCH UNIT (ASSEM.) BLACK
(NEW STYLE)

7384 OILER
4810 OIL WICK
71161 BUSHING
7372 BEARING

80471 CLUTCH SPRING
7391 DRIVEN CLUTCH
7389 DRIVING CLUTCH

81780 KEYBOARD CONTACT COVER

7384 OILER
78029 OIL WICK
2199 NUT
71826 STUD
7372 BEARING

6746 SCREW
2191 LOCKWASHER

8539 SCREW
2191 LOCKWASHER
7002 WASHER

183-244 WASHER
2191 LOCKWASHER
3598 NUT

* 7299 GEAR - 39T
① 70815 GEAR - 40T

7400 DISC - 19 SPOT
6746 SCREW
2191 LOCKWASHER

6746 SCREW
2191 LOCKWASHER

8539 SCREW
2191 LOCKWASHER
7002 WASHER

7388 KEYBOARD SHAFT
8095 POST

* 7299 GEAR - 39T
① 70815 GEAR - 40T

7400 DISC - 19 SPOT

7256 GEAR HUB (WITHOUT POST)
8501 GEAR HUB (WITH POST)

2199 NUT

6746 SCREW
2191 LOCKWASHER

7256 GEAR HUB (WITHOUT POST)
8501 GEAR HUB (WITH POST)
8095 POST

8539 SCREW
2191 LOCKWASHER
7002 WASHER

183-244 WASHER
2191 LOCKWASHER
3598 NUT

* 7299 GEAR - 39T
① 70815 GEAR - 40T

7400 DISC - 19 SPOT

6746 SCREW
2191 LOCKWASHER

USED ON RECEIVER BASE
WITH TAPE SIGNAL BELL

2602 TERMINAL BLOCK
2609 TERMINAL
1177 SCREW
1028 SCREW
3650 WASHER

9339 TERMINAL BLOCK (ASSEM.)
(OLD STYLE)

73670 TERMINAL BLOCK (ASSEM.)

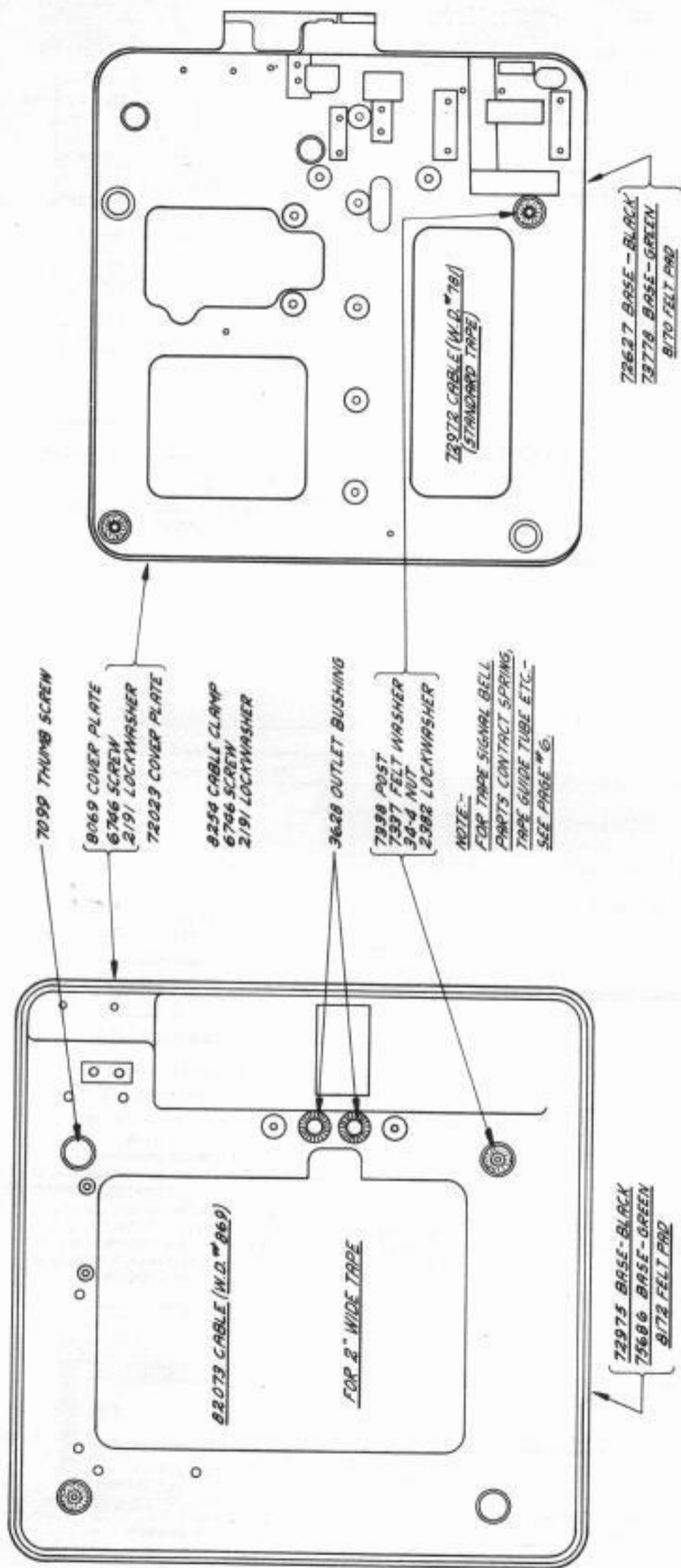
73705 TERMINAL BLOCK
1028 SCREW
3650 WASHER

6746 SCREW
2191 LOCKWASHER

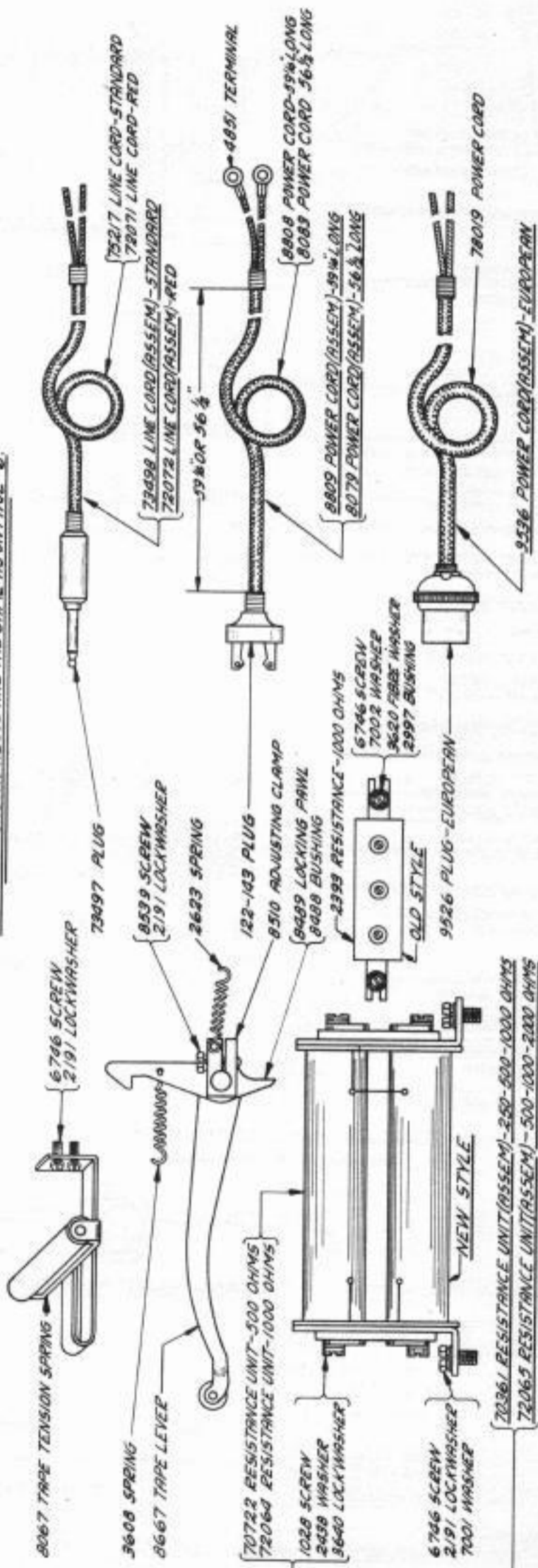
73829 ADAPTER PLATE

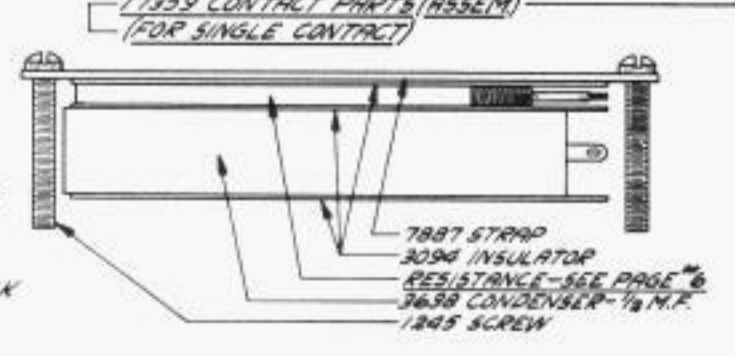
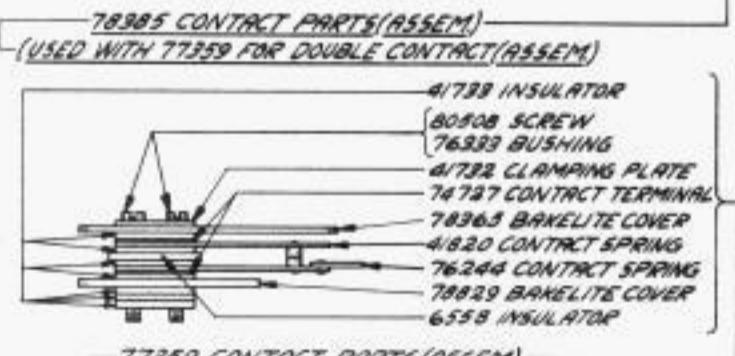
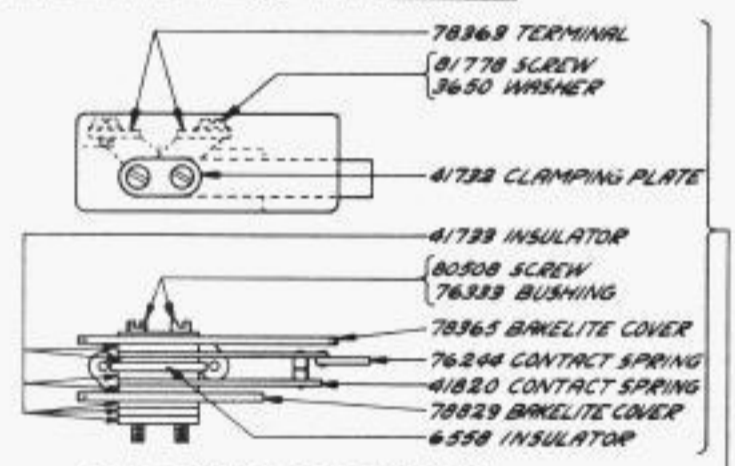
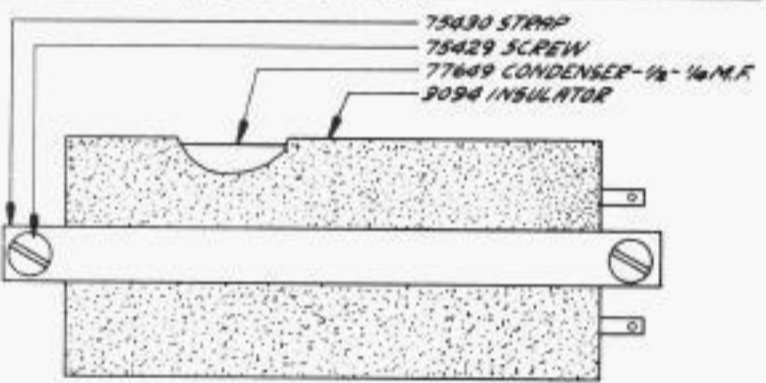
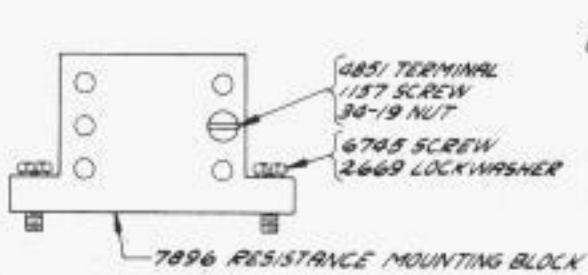
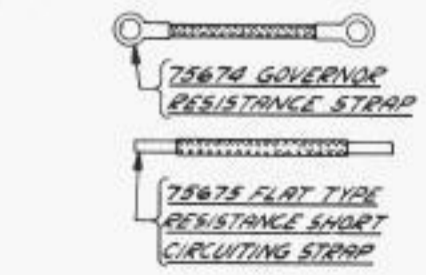
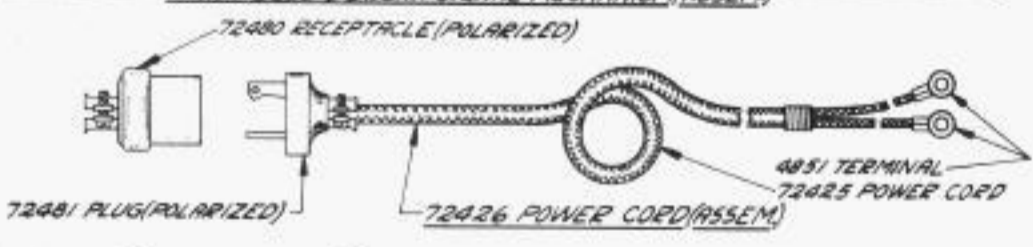
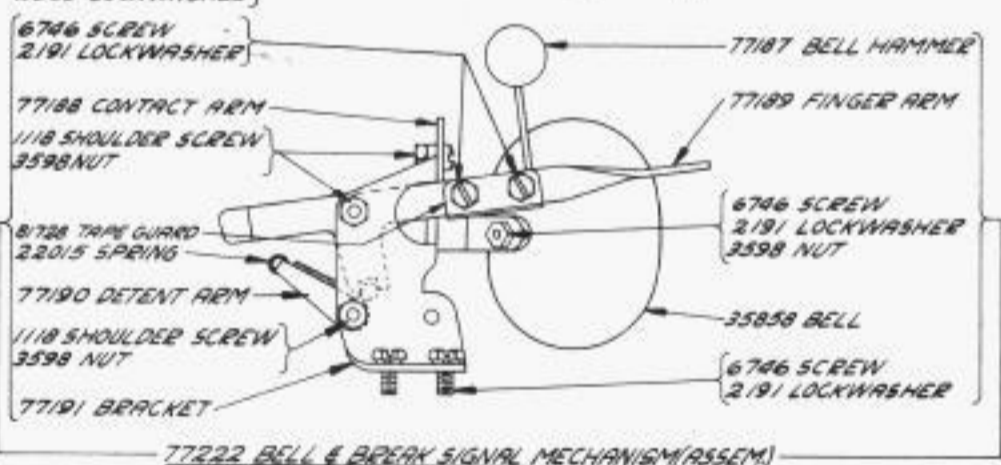
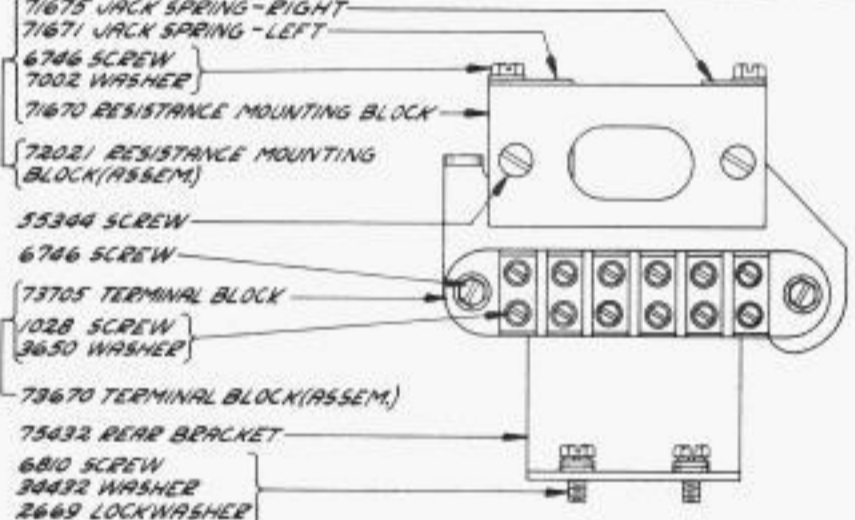
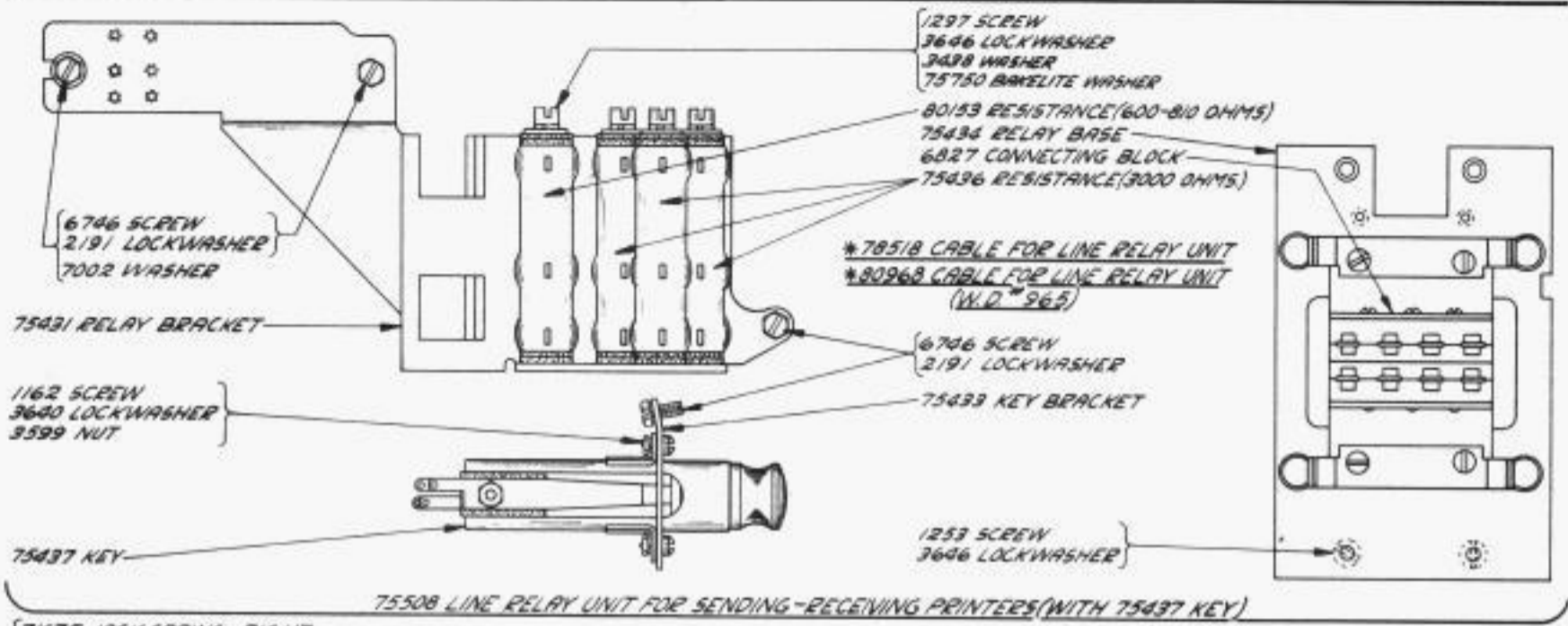
75071 TERMINAL BLOCK (ASSEM.)
(NEW STYLE)

NOTE: -
* ① SEE PAGE 20 FOR EXPLANATION.

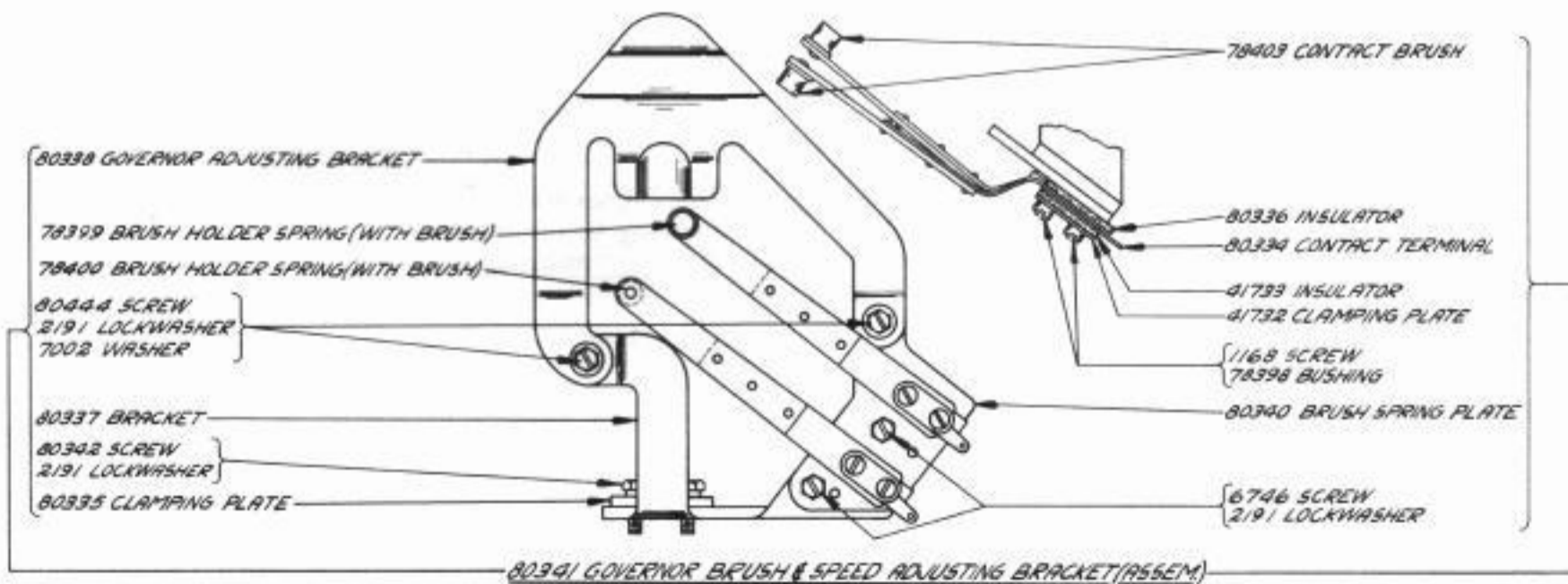
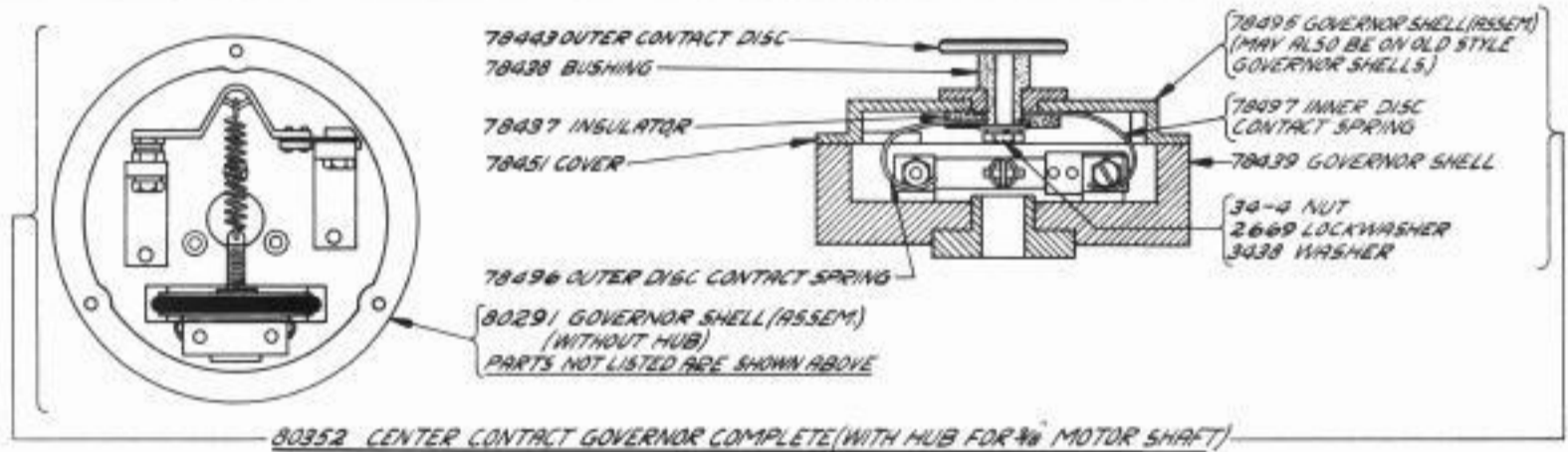
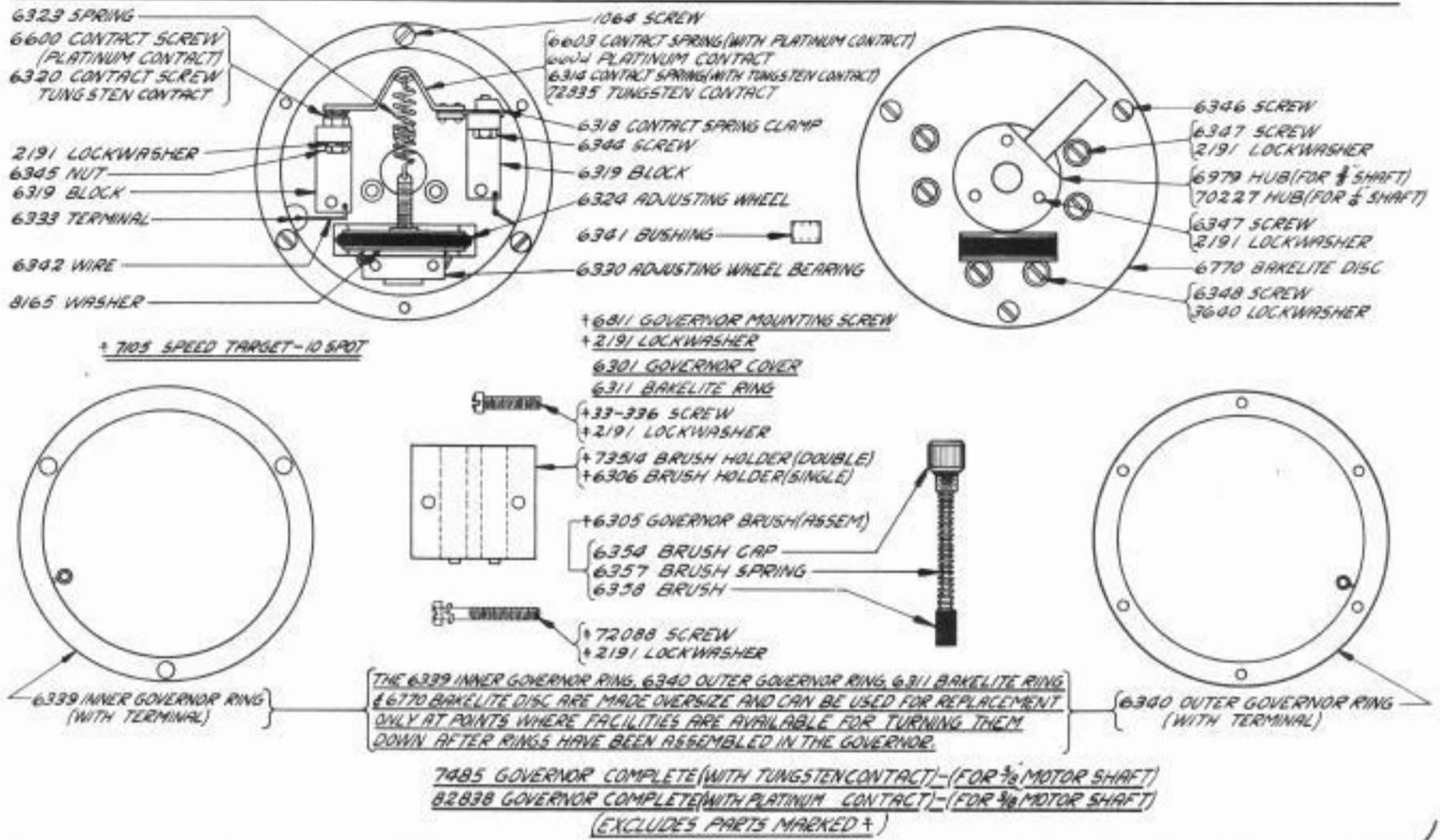


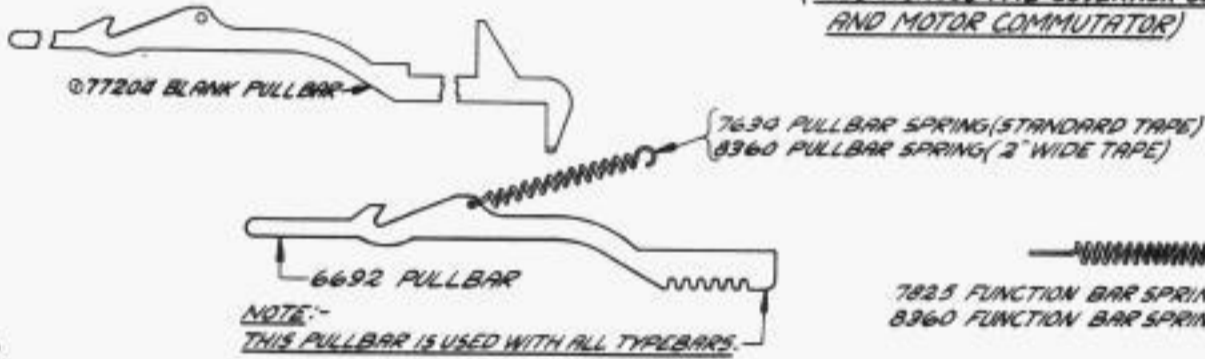
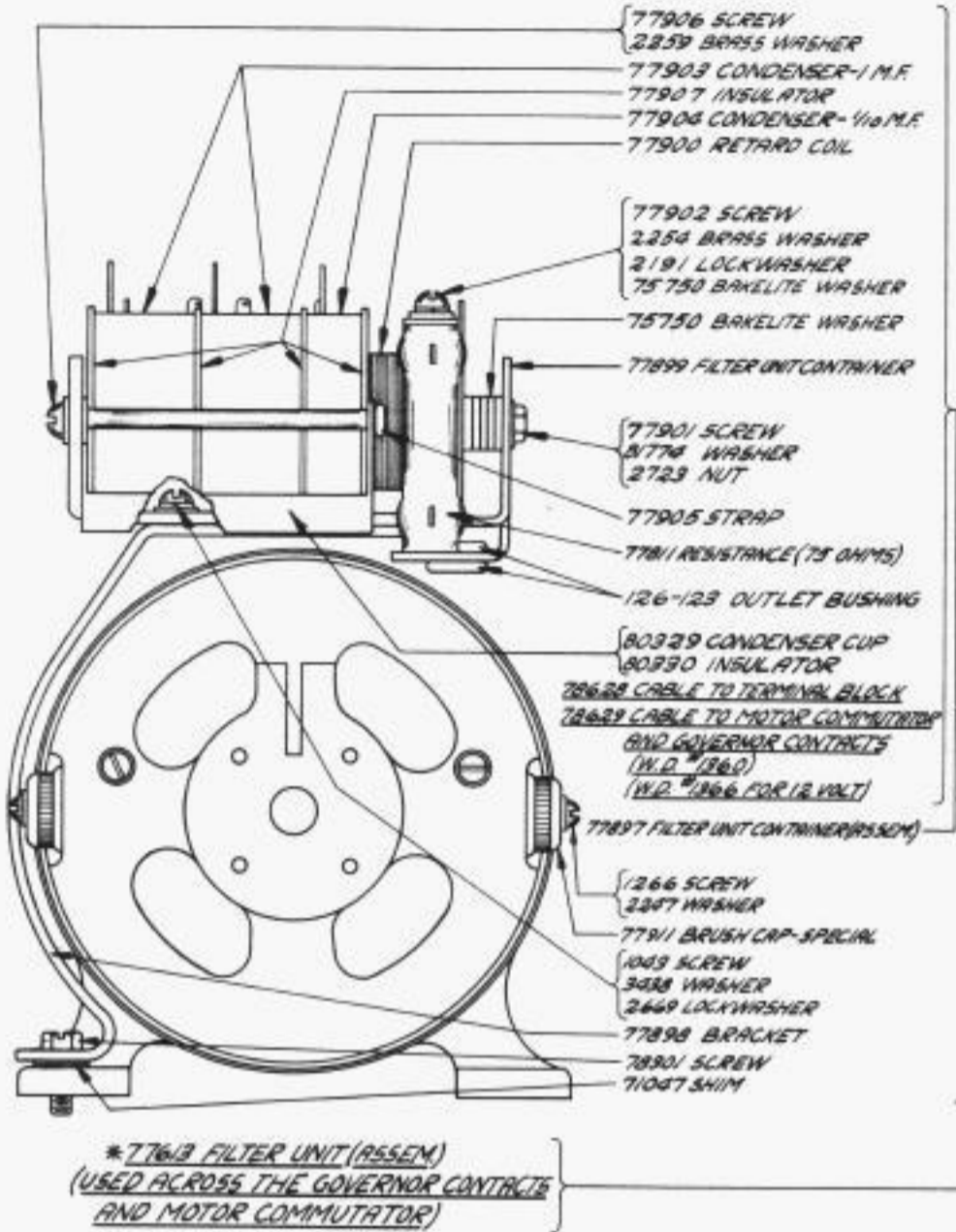
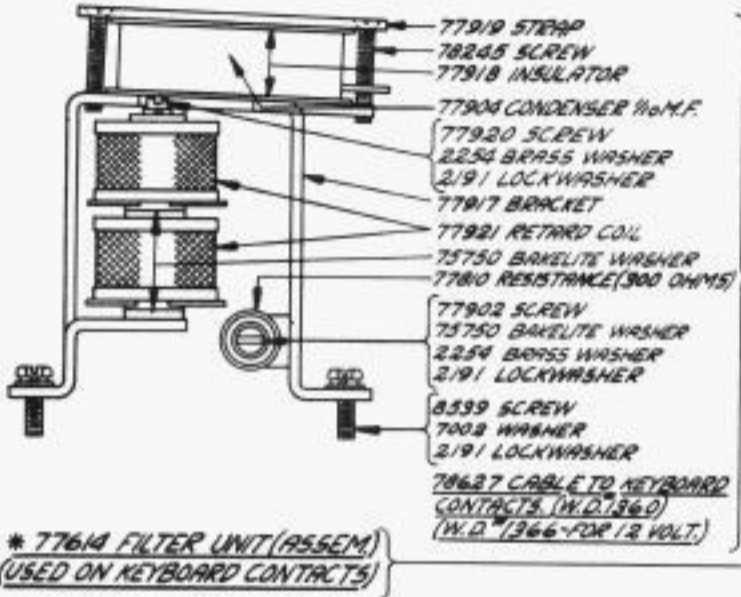
PARTS NOT SHOWN ABOVE ARE THE SAME AS ON PAGE # 6.



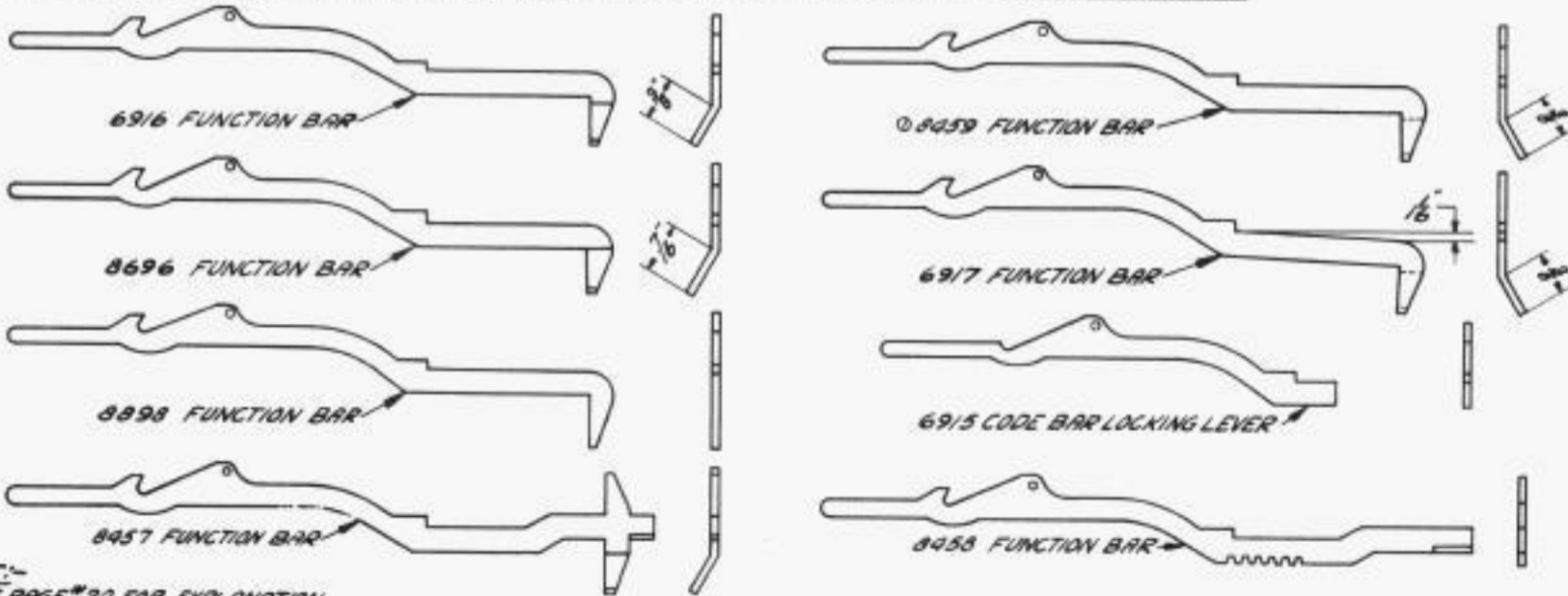


NOTE:
* SEE PAGE 20 FOR EXPLANATION.

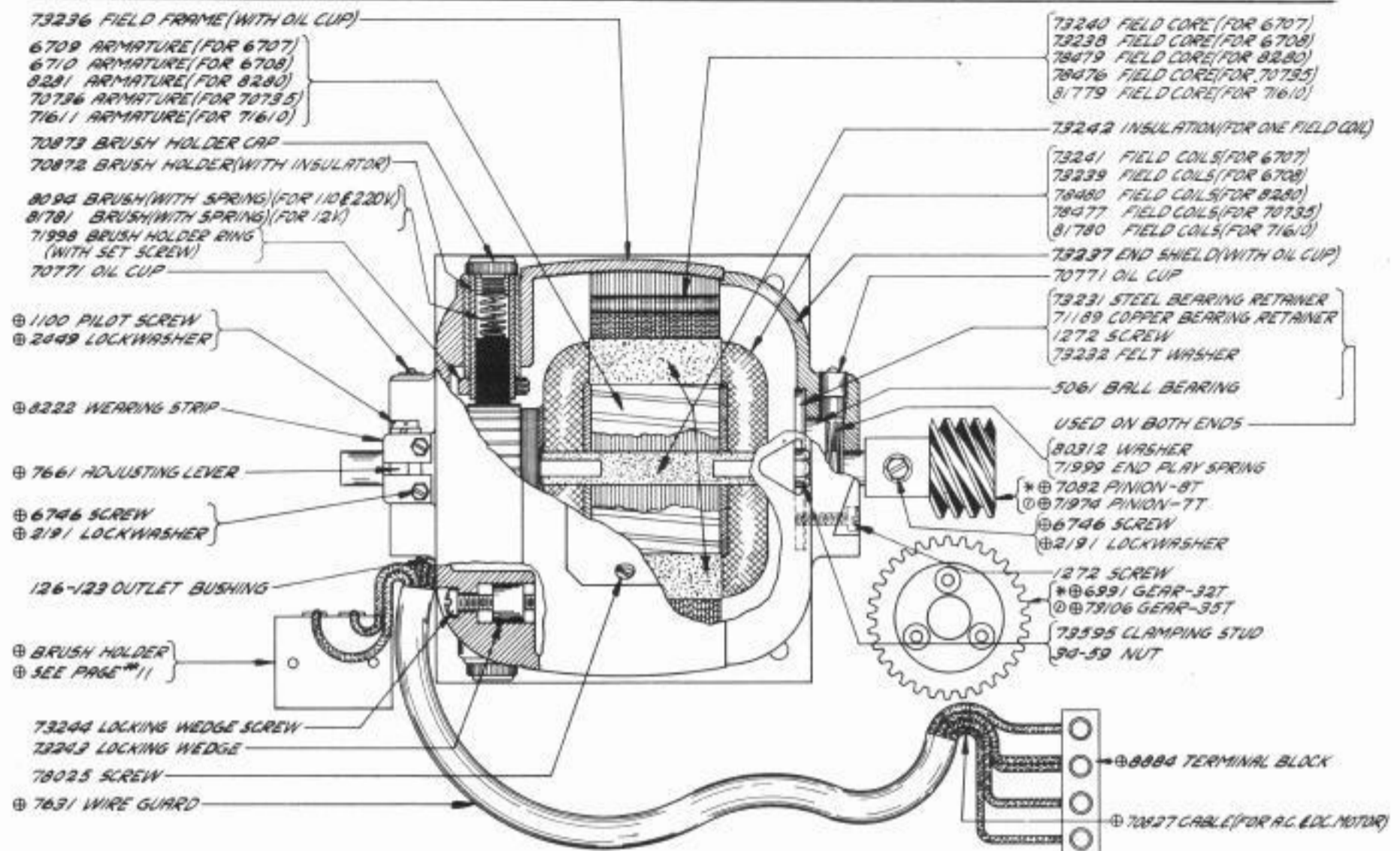




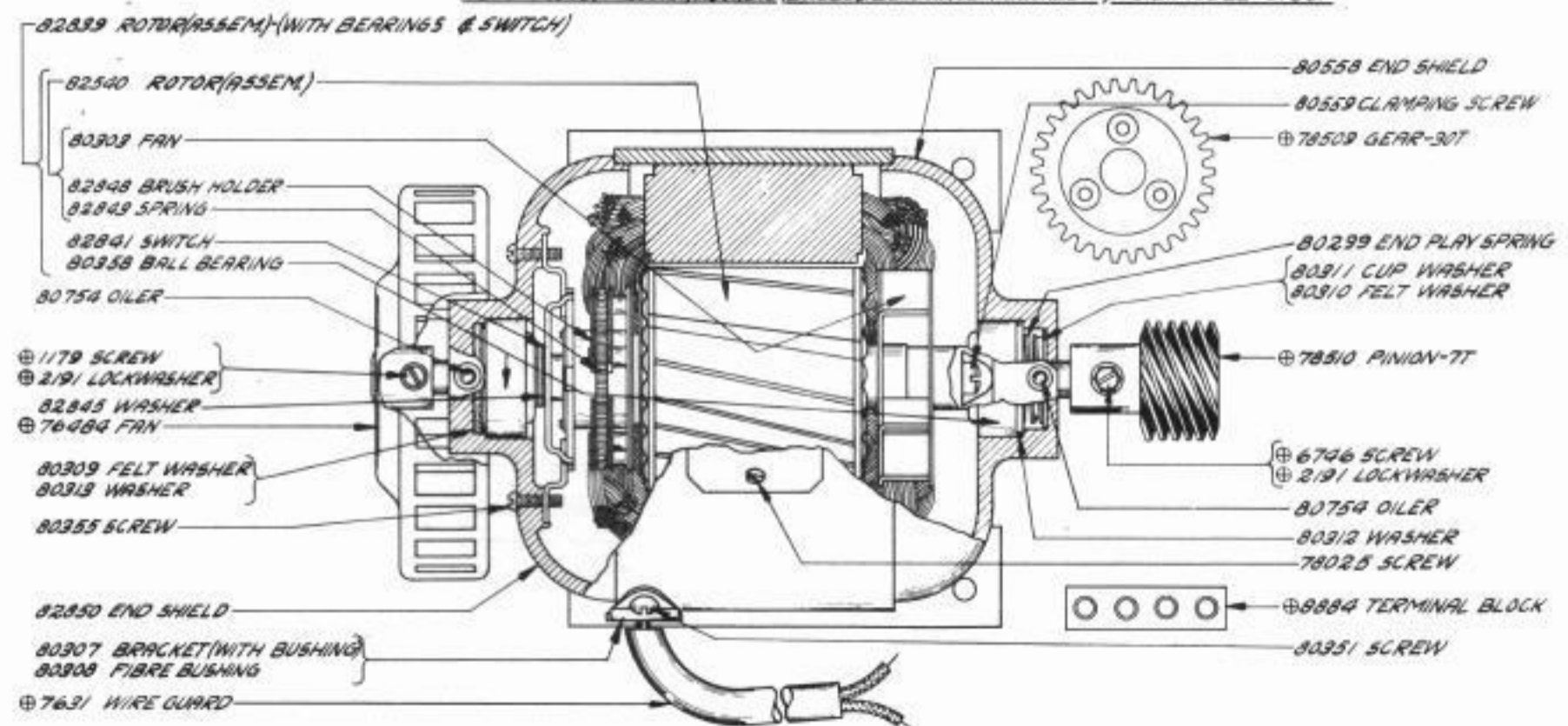
NOTE:
FUNCTION BARS DIFFER IN VARIOUS TYPES OF PRINTERS AND A CERTAIN BAR MAY BE USED TO PERFORM VARIOUS FUNCTIONS. MAKE SURE OF BAR REQUIRED, BY COMPARING WITH FUNCTION BARS SHOWN BELOW, AND ORDER BY DESIGNATED NUMBER.



**NOTE:-
* ① SEE PAGE 20 FOR EXPLANATION.**

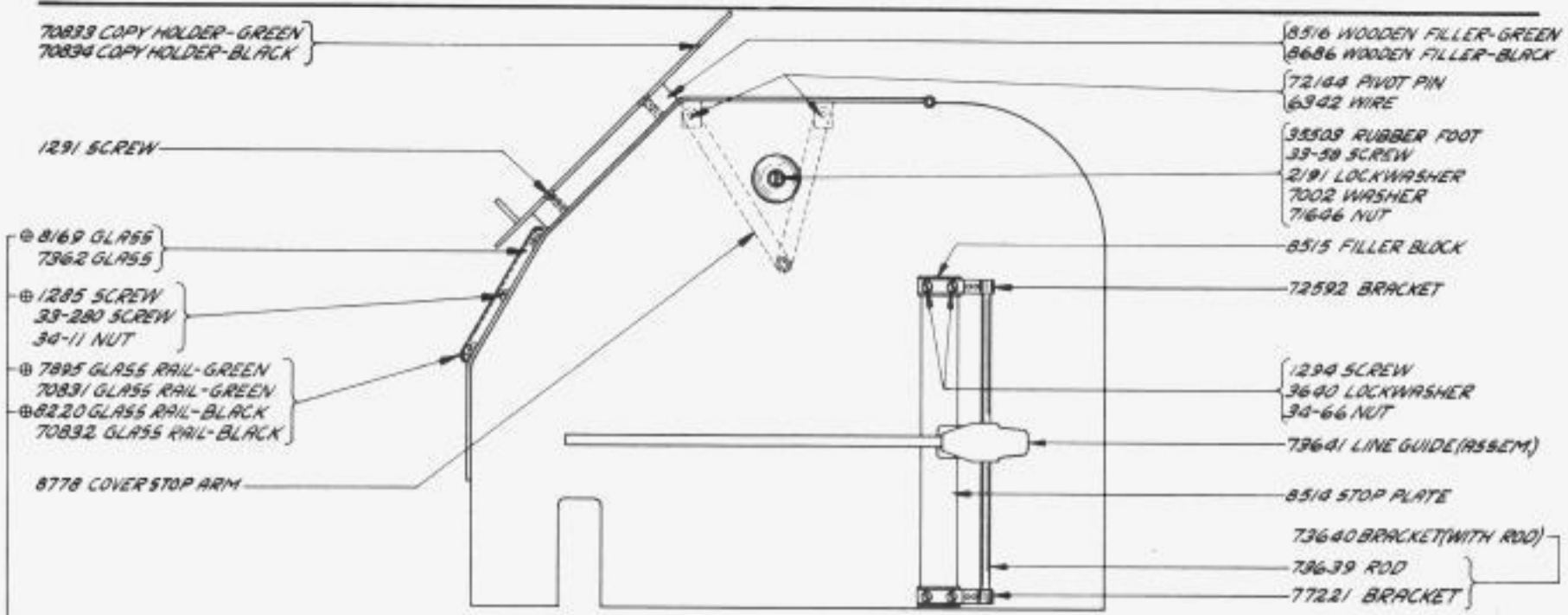


6707 MOTOR 1/20 H.P., 110V., D.C. (EXCLUDES PARTS MARKED ⊕) - G.E. MODEL # 28479
 6708 MOTOR 1/25 H.P., 110V., A.C. (EXCLUDES PARTS MARKED ⊕) - G.E. MODEL # 28478
 8280 MOTOR 1/20 H.P., 220V., D.C. (EXCLUDES PARTS MARKED ⊕) - G.E. MODEL # 31382
 70735 MOTOR 1/25 H.P., 220V., A.C. (EXCLUDES PARTS MARKED ⊕) - G.E. MODEL # 31810
 71610 MOTOR 1/20 H.P., 12V., D.C. (EXCLUDES PARTS MARKED ⊕) - G.E. MODEL # 31661



82283 SYNCHRONOUS MOTOR 1/20 H.P., 110V., 60 CYCLE A.C. (EXCLUDES PARTS MARKED ⊕) - G.E. MODEL # 55H25AB11
 NOTE: - PARTS SHOWN ARE FOR MODEL # 55H25AB11. PARTS FOR OTHER TYPES OF SYNCHRONOUS MOTORS ORDER BY MODEL NUMBER AND DESCRIPTION.

NOTE: -
 ⊕ SEE PAGE #20 FOR EXPLANATION.



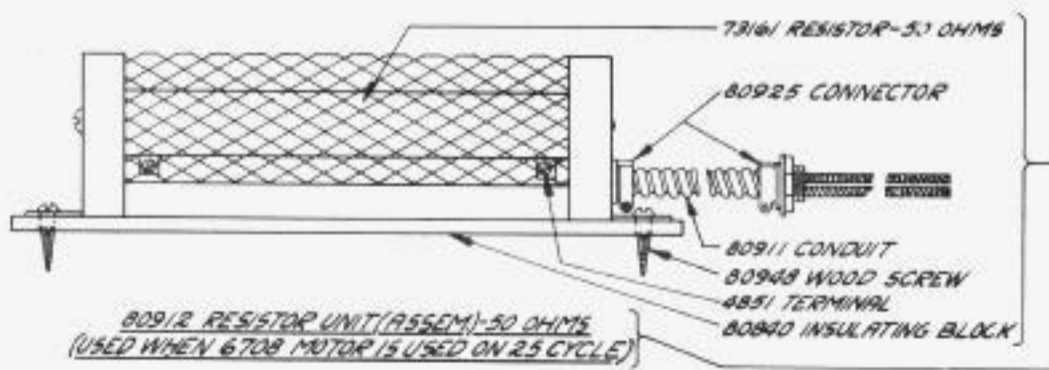
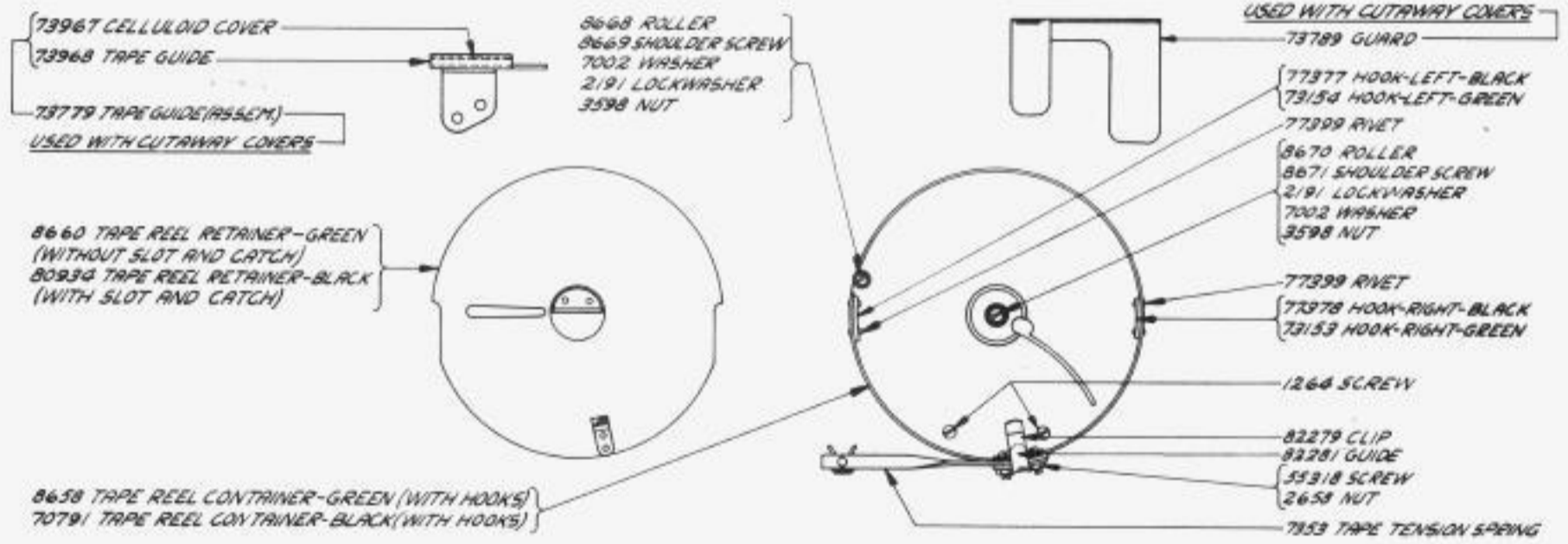
GREEN { 8682 SENDING-RECEIVING PRINTER COVER(ASSEM)-(WITH COPYHOLDER AND MESSAGE LINE GUIDE)
8159 RECEIVING-ONLY PRINTER COVER(ASSEM)-2" WIDE TAPE

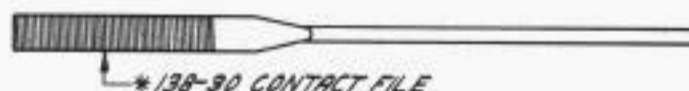
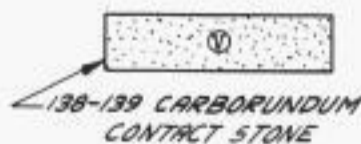
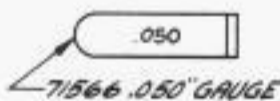
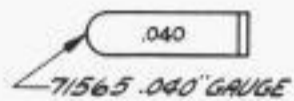
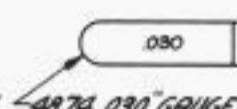
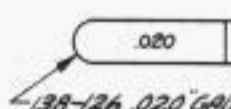
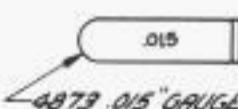
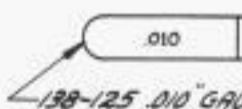
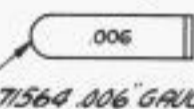
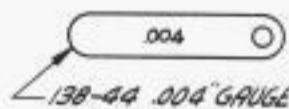
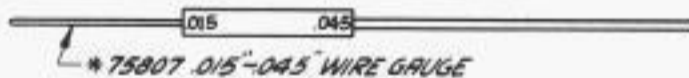
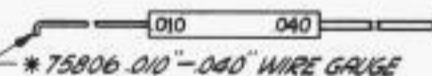
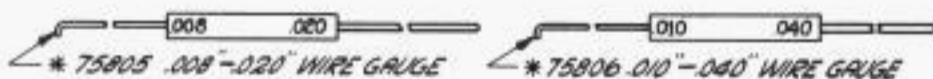
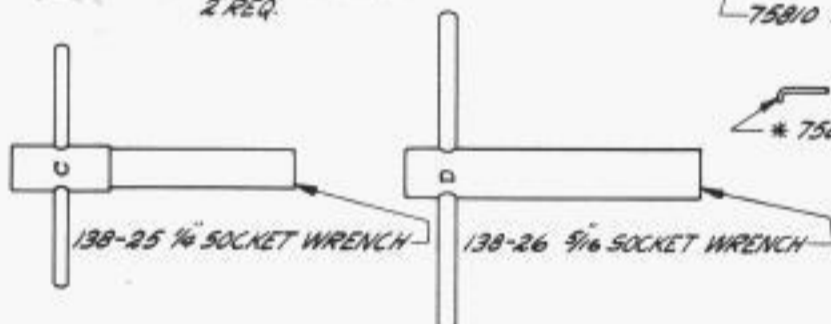
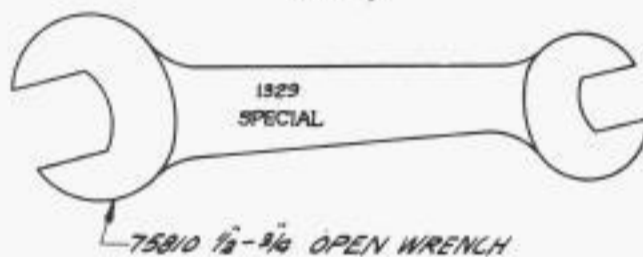
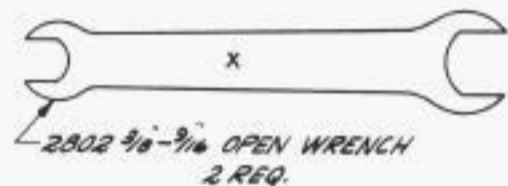
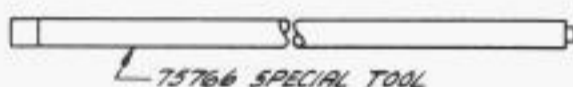
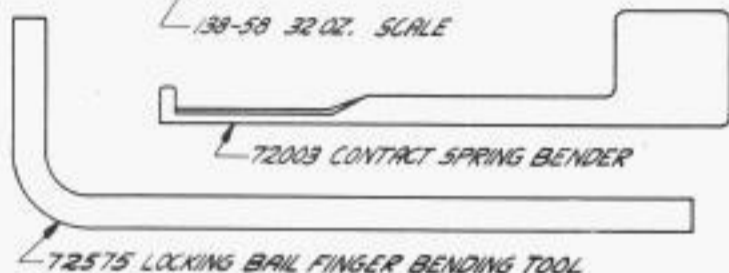
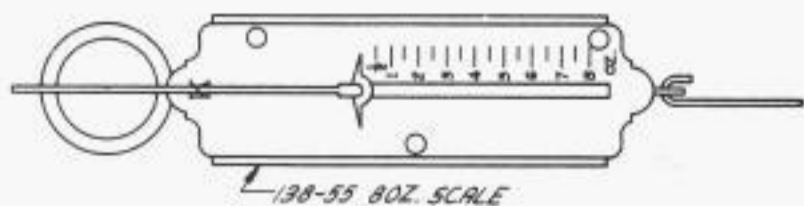
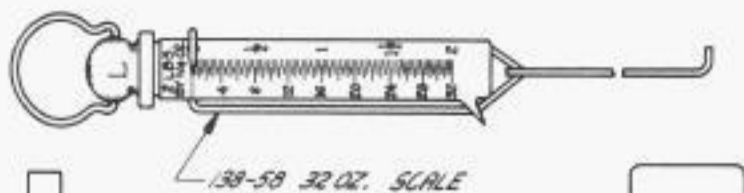
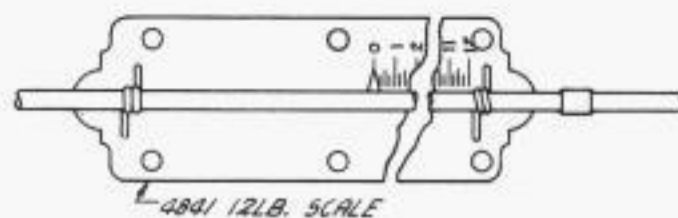
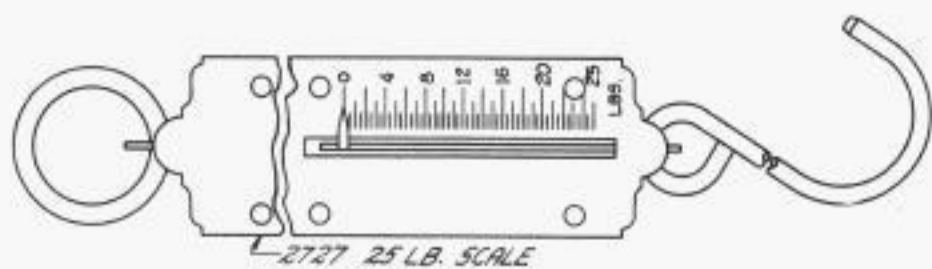
BLACK { 8683 SENDING-RECEIVING PRINTER COVER(ASSEM)-(WITH COPYHOLDER AND MESSAGE LINE GUIDE)
72994 RECEIVING-ONLY PRINTER COVER(ASSEM)
8154 RECEIVING-ONLY PRINTER COVER(ASSEM)-2" WIDE TAPE

{ 73765 SENDING-RECEIVING PRINTER CUTAWAY COVER(ASSEM)-(WITH ACCESSORIES(INCLUDES COPYHOLDER & MESSAGE LINE GUIDE, 73779 TAPE GUIDE(ASSEM) AND 73789 GUARD)

GREEN { 77232 SENDING-RECEIVING PRINTER CUTAWAY COVER(ASSEM)-(WITH ACCESSORIES(INCLUDES COPYHOLDER & MESSAGE LINE GUIDE, 73779 TAPE GUIDE(ASSEM) AND 73789 GUARD)

NOTE
Ⓢ USED ON 2" WIDE TAPE RECEIVING-ONLY COVERS





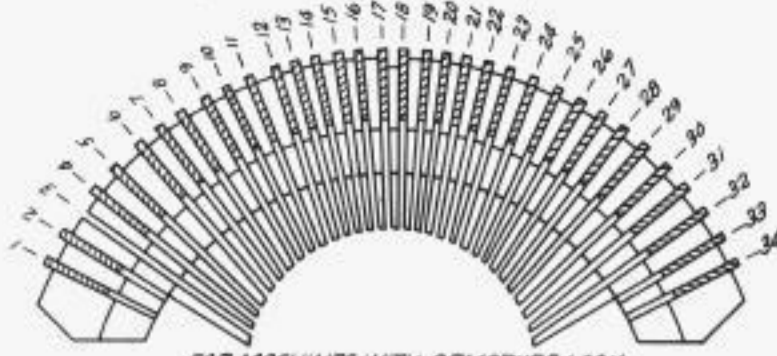
*75808 CASE FOR 75805, 75806, 75807, 75765, 75503 & 138-90

*75809 SET OF GAUGES (WITH CASE)
(INCLUDES 75805, 75806, 75807, 75765, 75503, 138-90 & 75808)

77618 CASE FOR SMALL TOOLS

71037 SET OF TOOLS

FOR ENGLISH MACHINES
(WITH DOUBLE SPACER BAR)



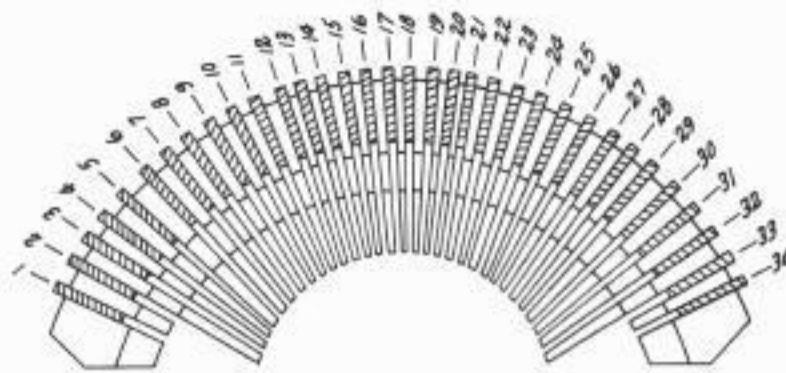
FOR MACHINES WITH ARMATURE LOCK

NO BELL

CODE BARS	
NO. STAMPED ON CODE BAR	CATALOG NO.
1A	8523
2A	8524
3A	8530
4A	8525
5A	8526

NUMBER OF POSITION IN SEGMENT	PULL OR FUNCTION BARS		TYPEBARS WITHOUT PALLETS		TYPEBAR PALLETS			TYPEBARS WITH PALLETS		PULL AND FUNCTION BAR SPRINGS	PNEUMATIC KEYTOPS CATALOG NUMBER	DESCRIPTION	CELLULOID KEYTOPS CATALOG NUMBER	
	CATALOG NUMBER	DESCRIPTION	CATALOG NUMBER	NUMBER STAMPED ON BAR	GOthic STYLE	DESCRIPTION	MURRAY STYLE	GOthic STYLE	MURRAY STYLE					
1	6916	LTRS. SHIFT								7965				
2	6916	BLANK								7825	3080	BLANK	72061	
3	6692													
4	6692	STANDARD	7421	1	7259	A -		83526		7634	3054	A -	72031	
4	6692	"	7421	1		A :	8198		72151	7634	7787	A :	77205	
4	6692	"	7421	1		A %	73784		83528	7634	73783	A %		
5	6692	"	7422	2	7282	X /		70952		7634	3077	X /	72054	
5	6692	"	7422	2		X &	8191		72152	7634	7787	X &	77215	
6	6692	"	7423	3	7275	Q /	8263		70953	7634	3070	Q /	72047	
7	6692	"	7424	4	7280	V :		70954		7634	3075	V :	72052	
7	6692	"	7424	4		V /	8192		72154	7634	7789	V /	75702	
8	6692	"	7425	5	7265	G &		70955		7634	3060	G &	72027	
8	6692	"	7425	5		G %	8193		72155	7634	7766	G %	77209	
9	6692	"	7426	6	7281	W 2	8263		70956	72156	3076	W 2	72059	
10	6692	"	7427	7	71250	F /		72935		7634	3059	F /	72826	
10	6692	"	7427	7		F %	8194		72157	7634	7765	F %	77208	
11	6692	"	7428	8	7261	C :		70958		7634	3056	C :	72033	
11	6692	"	7428	8		C /	8195		72158	7634	7788	C /	77216	
12	6692	"	7429	9	7262	D \$		70959		7634	3057	D \$	72034	
12	6692	"	7429	9		D %	8196		72159	7634	7759	D %	77207	
13	6692	"	7430	10	7276	R 4	8265		70960	72160	3071	R 4	72068	
14	6692	"	7431	11	71249	S *		82240		7634	3072	S *	72828	
14	6692	"	7431	11		S /	8197		72161	7634	7758	S /	77206	
15	6692	"	7432	12	71251	V *		83527		7634	3063	V *	72827	
15	6692	"	7432	12		V %	8190		72162	7634	7768	V %	77211	
16	6692	"	7433	13	7278	T 5	8366		70963	72163	3073	T 5	72050	
17	6692	"	7434	14	7263	E 3	8267		70964	72164	3058	E 3	72035	
18	6692	"	7435	15	71252	N *		72929		7634	3067	N *	72824	
18	6692	"	7435	15		N /	8199		72165	7634	7794	N /	75704	
19	6692	"	7436	16	7267	I 8	8268		70966	72166	3062	I 8	72029	
20	6692	"	7437	17	7273	O 9	8269		70967	72167	3068	O 9	72038	
21	6692	"	7438	18	7266	H &		70968		7634	3061	H &	72038	
22	6692	"	7438	18		H %	8200		72168	7634	7767	H %	77210	
22	6692	"	7439	19	7270	L /		70969		7634	3065	L /	72062	
23	6692	"	7439	19		L %	8201		72169	7634	7779	L %	75698	
23	6692	"	7440	20	7279	U 7	8270		70970	72170	3074	U 7	72051	
24	6692	"	7441	21	71253	M *		72948		7634	3066	M *	72824	
25	6692	"	7442	22	7283	Y 6	8271		70972	72172	3078	Y 6	72055	
26	6692	"	7443	23	7274	P 0	8272		70973	72173	3069	P 0	72046	
27	6692	"	7444	24	7260	B 7	8273		70974	72174	3055	B 7	72032	
28	6692	"	7445	25	7269	K /		70975		7634	3064	K /	72037	
29	6692	"	7445	25		K %	8203		72175	7634	7769	K %	77213	
29	6692	"	7446	26	7284	Z **		70976		7634	3079	Z **	72056	
30	6692	"	7446	26		Z *	8204		72176	7634	7786	Z *	77214	
30	6692	"	7447	27	71254	* *		72947		7634	8354	* *	72829	
31	6692	"	7447	27		= =	8205		72177	7634	7785	= =	77213	
31	6692	"	7447	27		= *	73786		83531	7634	79781	= *		
31	6692	"	7448	28	7285	* *	8476		70978		7634	7648	* *	72059
32	6692	"	7448	28		+ +	8206		72178	7634	7792	+ +	77219	
32	6692	"	7448	28		/ /	8207		72179	7634	7796	/ /	77218	
33	6917	FIGS. SHIFT												
34	6918	DOUBLE SPACER												
18	6692	STANDARD	7445	15		N **	73792		83529	7634	73793	N **		
29	6692	"	7446	26		Z \$	73785		83530	7634	73783	Z \$		

SPANISH



NO BELL

CODE BARS	
NO. STAMPED ON CODE BAR	CATALOG NO.
1F	77883
2F	77884
3F	77885
4F	77886
5F	77887

USED WITH BELL ON
SHIFTED 'F'

CODE BARS	
NO. STAMPED ON CODE BAR	CATALOG NO.
1H	80699
2H	80700
3H	80701
4H	80702
5H	80703

- NOTE -
CHECK CAREFULLY THE POSITION OF PULLBARS IN SEGMENT AND THE ARRANGEMENT OF THE TYPE PALLETS ON THE TYPEBARS. IF THESE DIFFER IN ANY WAY WITH THE ARRANGEMENT SHOWN ON THIS PAGE, PARTS SHOULD BE ORDERED BY NAME.
FOR EXAMPLE ORDER:
TYPE PALLET.....(A 1)
TYPEBAR #12 (WITH PALLET)(A 1)
PNEUMATIC KEYTOP.....(A 1)
CELLULOID KEYTOP.....(A 1)

FOR MACHINES WITH ARMATURE LOCK

NUMBER OF POSITION IN SEGMENT	PULL OR FUNCTION BARS		TYPEBAR WITHOUT PALLETS		TYPEBAR PALLETS		TYPEBARS WITH PALLETS CATALOG NUMBER	PULL AND FUNCTION BAR SPRINGS	PNEUMATIC KEYTOPS	KEYTOP DESCRIPTION	CELLULOID KEYTOPS	PNEUMATIC KEYTOP	KEYTOP DESCRIPTION	CELLULOID KEYTOPS
	CATALOG NUMBER	DESCRIPTION	CATALOG NUMBER	NUMBER STAMPED ON BAR	CATALOG NUMBER	DESCRIPTION								
1	6916	LETRAS-SHIFT						7965						
2	6916							7965						
3	6916	NO SELECTION						7965						
3	8457	BELL ON SHIFTED						7825		TIMB F	80682			
4	8458	F PULLBAR	7421	1	75157	F 7	82637	7634		TIMB F	80682			
4	6692	STANDARD	7421	1	75151	J 6	82636	7634	75017	6 J	80685	73312	6	80664
5	6692	"	7422	2	75152	X 5	82638	7634	75022	5 X	80690			
6	6692	"	7423	3	75153	Q 1	82639	7634	75001	1 Q	80669			
7	6692	"	7424	4	75154	V *	82640	7634	75024	* V	80692			
8	6692	"	7425	5	75155	G 7	82641	7634	75015	7 G	80683	73313	7	80665
9	6692	"	7426	6	75156	W ?	82642	7634	75002	? W	80670			
10	6692	"	7427	7	75157	F 7	82643	7634	75014	7 F				
10	6692	"	7427	7	75151	J 6	82644	7634	75017	6 J	80685	73312	6	80664
11	6692	"	7428	8	75158	C 9	82645	7634	75023	9 C	80691	73315	9	80667
12	6692	"	7429	9	75159	D 0	82646	7634	75013	0 D	80681	73316	0	80668
13	6692	"	7430	10	75160	R -	82647	7634	75004	- R	80672			
14	6692	"	7431	11	75161	S ;	82648	7634	75012	1 S	80680			
15	6692	"	7432	12	75162	A 1	82649	7634	75011	1 A	80679	73307	1	80659
16	6692	"	7433	13	75163	T !	82650	7634	75005	! T	80673			
17	6692	"	7434	14	75164	E 2	82651	7634	75003	2 E	80671	73308	2	80660
18	6692	"	7435	15	75165	N N*	82652	7634	75026	N* N	80694			
19	6692	"	7436	16	75166	I 2	82653	7634	75008	2 I	80676			
20	6692	"	7437	17	75167	O 5	82654	7634	75009	5 O	80677	73311	5	80663
21	6692	"	7438	18	75168	H 4	82655	7634	75016	4 H	80684			
22	6692	"	7439	19	75169	L =	82656	7634	75019	= L	80687			
23	6692	"	7440	20	75170	U 4	82657	7634	75007	4 U	80675	73310	4	80662
24	6692	"	7441	21	75171	M)	82658	7634	75027) M	80695			
25	6692	"	7442	22	75172	Y 3	82659	7634	75006	3 Y	80674	73309	3	80661
26	6692	"	7443	23	75173	P %	82660	7634	75010	% P	80678			
27	6692	"	7444	24	75174	B 8	82661	7634	75025	8 B	80693	73314	8	80666
28	6692	"	7445	25	7269	K (70945	7634	75018	(K	80686			
29	6692	"	7446	26	75175	Z :	82662	7634	75021	: Z	80689			
30	6692	"	7447	27	75176	E &	82663	7634	75028	& E	80696			
31	6692	"	7448	28	75177	X X	82664	7634	75020	X X	80688			
32	6692	"	7885	29	75178	N .	82665	7634	75029	. N	80697			
33	6917	CIFRAS-UNSHIFT						7825						
34	6915	CODE BAR LOWER CASE						3610						

NOTES OF EXPLANATION

Pages 1, 8, and 13.

- * #7185 gear - 36T shown on page 1, #7293 gear - 39T shown on page 8, #6991 gear - 32T and #7082 pinion - 8T shown on page 13, are used with #7339 cam sleeve (assem.) (having #71838 stamped on the cams) shown on page 8.
- (1) #70816 gear - 35T shown on page 1, #70815 gear - 40T shown on page 8, #73106 gear - 35T and #71974 pinion - 7T shown on page 13, are used with #8097 cam sleeve (assem.) (having #71839 stamped on the cams) shown on page 8.

Page 1.

- (2) The #2623 spring and #8468 spring post which were used for carriage return operation have been replaced by #80365 spring, and #72284 spring post. The #72284 spring post is threaded and is fastened to the base plate by means of a #3599 nut and a #3640 lockwasher applied underneath the plate. #80365 spring must be used with the #72284 spring post.

Page 3.

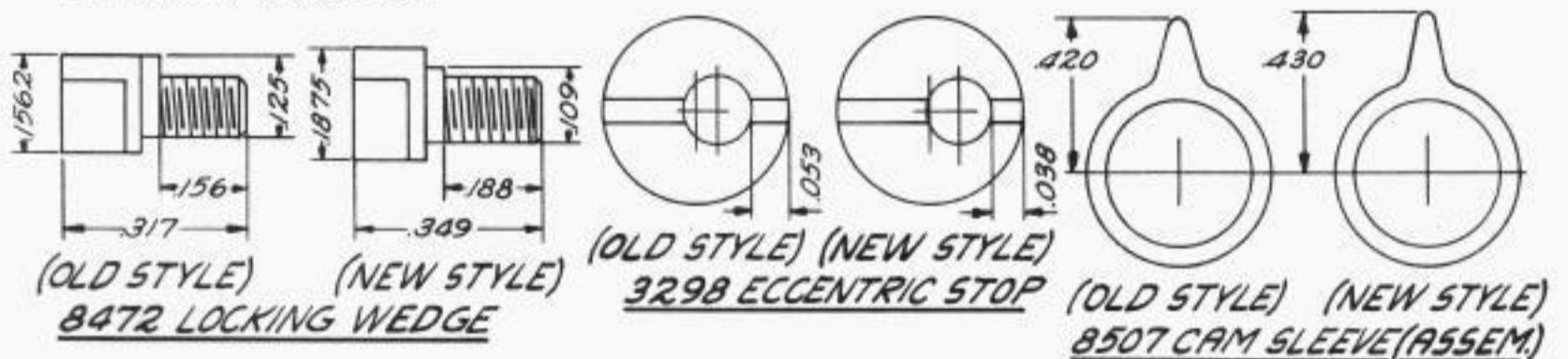
- * The #7418 oiler has been replaced by a #78244 oiler which is threaded into the new style #7018 bushing. The old style #7018 bushing must be replaced by the new style which is tapped, when installing a #78244 oiler.
- (1) The #7059 detent lever has been redesigned so as to provide more clearance between the detent lever spring and the #7058 plate, thereby allowing the proper spring tension to be obtained. The #35-27 spring has been replaced by #78823 spring which must be used with the new style #7059 detent lever.

Page 4.

- * When the #71699 screw was tightened, the #71696 range scale and the #71697 clamping plate had a tendency to bind. In order to prevent this, the #71699 screw and #70885 washer, which were used together have been replaced by a #78597 shoulder screw and a #78596 washer. This new shoulder screw and washer must be used together as they are not interchangeable with #71699 screw and #70885 washer.

Pages 4 and 5.

- (1) The changes involving #8472 locking wedge, #3298 eccentric stop, shown on page 4, and #8507 cam sleeve (assem.) shown on page 5, may be noted in the following sketches:



The diameter of the head of the new style #8472 locking wedge has been increased .0313" and the length of the threaded portion has been increased .032", while the shoulder has been decreased .016".

The mounting hole in the new style #3298 eccentric stop has been offset .015" more than the old style.

The cam projections of the new style #8507 cam sleeve (assem.) have a diameter of .860", which is .020" more than the old style.

If an old style cam sleeve (assem.) is used, either an old or new style

locking wedge, or an old or new style eccentric may be used.

If, however, a new style cam sleeve (assem.) is used, only the new style locking wedge and new style eccentric can be used.

Page 5.

- * On printers equipped with line relay units the #7414 gear guard is replaced by a #80591 handle shown on same page.

Page 6.

- * #8136 cable (W.D.743) is used on machines not equipped with filter units.
- #8136 cable (W.D.1366) is used on machines equipped for 12 volt operation and filter units.
- #72972 cable (W.D.929) is for use with 12 Volt operation with reverse current control.
- #75522 cable (W.D.965) is for use with machines equipped with line relay unit.

Page 8.

- * (1) See note for pages 1, 8, and 13.

Page 10.

- * The #78518 cable (Deltabeston Wire) is to be used for maintenance on line relay units not equipped with the #80153 600-810 ohm resistance.
- The #80968 cable (Art Silk covered Deltabeston Wire) is to be used on line relay units equipped with the #80153 600-810 ohm resistance.
- These cables have the line test key wires taped and are for use on line relay units either with or without line test key.

Page 12.

- * Specification S-5027 is furnished with each of these units which gives the necessary installation data.
- (1) In order to equip printers with the bell and break mechanism it is necessary to replace #8459 blank pullbar with a #77204 blank pullbar if the printer is not so equipped.

Page 13.

- * (1) See note for pages 1, 8, and 13.

NUMERICAL INDEX

33-15	2-56 x 1/8 Screw, 7	2378	Spacer Keylever, 6	3606	6-40 Hex. Nut, 3,7
33-43	2-56 x 3/4 Screw, 7	2382	Lockwasher, 6,9	3608	Spring, 9
33-58	6-32 x 7/16 Screw, 14	2393	Resistance Unit - 1000 Ohms, 9	3610	Spring, 3,16,17,18
33-111	2-56 x 9/64 Screw, 4	2407	Lockwasher, 8	3617	Washer, 7
33-168	6-40 Pilot Screw, 7	2422	Lockwasher, 4	3618	Insulator, 7
33-224	6-40 Shoulder Screw, 1	2431	Selector Bar #1, 6	3620	Fibre Washer, 9
33-252	10-32 x 3/4 Screw, 5	2432	Selector Bar #2, 6	3624	Washer, 7
33-280	2-56 x 3/16 Screw, 14	2433	Selector Bar #3, 6	3626	Rubber Foot, 7
33-336	6-32 x 5/8 Screw, 11	2434	Selector Bar #4, 6	3628	Outlet Bushing, 6,7,9
34-1	1/4-32 Hex. Nut, 5	2435	Selector Bar #5, 6	3638	Condenser 1/2 mf., 10
34-4	10-32 Hex. Nut, 1,3,5,6,9,11	2438	Washer, 4,9	3640	Lockwasher, 1,2,3,4,8,9,10,11,14
34-11	2-56 Hex. Nut, 4,14	2449	Lockwasher, 3,7,13	3646	Lockwasher, 10
34-19	8-32 Hex. Nut, 10	2480	Spring Post, 5	3647	Insulator, 7
34-56	4-40 Hex. Nut, 1,4,8	2502	Mounting Strip, 8	3650	Washer, 8,10
34-59	10-30 Hex. Nut, 13	2503	Cover Plate, 8	3778	Flat Type Resistance Unit - 20 Ohms, 6
34-66	4-36 Hex. Nut, 14	2504	Insulator Strip, 8	3899	Spacer Collar, 7
35-27	Spring, 3	2525	Keylever Guide - Front, 6	4001	Thumb Nut, 2
35-72	Spring, 3	2526	Spacing Collar (Short), 8	4293	Insulator, 6
35-84	Spring, 2	2528	Spring Bar, 7	4809	Wick - Long, 5
35-133	Spring, 6	2529	Bushing, 8	4810	Oil Wick, 8
36-24	Pin, 5	2565	Keylever Spring, 7	4813	Wick - Short, 5
43-10	Plunger Stop, 7	2566	Spacer Keylever Spring, 7	4814	Lockwasher, 4
122-102	Spring Eye, 3	2574	Upstop, 7	4838	3/8" - 7/16" Open Wrench, 15
122-143	Plug, 9	2598	Post, 6	4841	12 lb. Scale, 15
123-37	Spring Post, 3	2602	Terminal Block, 8	4851	Terminal, 9,10,14
123-244	Washer, 8	2603	Terminal, 8	4873	.015" Gauge, 15
123-308	Spring Terminal, 1	2610	Bell, 1,6	4874	.030" Gauge, 15
126-123	Outlet Bushing, 12,13	2623	Spring, 1,8,9	4881	Spring Backing, 8
138-22	Screw Driver, 15	2658	6-32 Hex. Nut, 14	4939	Tape Reel, 2
138-23	3/16" Socket Wrench, 15	2663	Rubber Buffer, 6	5061	Ball Bearing, 13
138-25	1/4" Socket Wrench, 15	2669	Lockwasher, 1,2,3,4,5,6,10,11,12	5363	Spring, 4
138-26	5/16" Socket Wrench, 15	2723	6-32 Hex. Nut, 12	5426	Flat Type Resistance Unit - 600 Ohms, 6
138-30	Contact File, 15	2727	25 Lb. Scale, 15	5427	Flat Type Resistance Unit - 1000 Ohms, 6
138-34	1/4" Open Wrench, 15	2802	3/8"-9/16" Open Wrench, 15	5428	Flat Type Resistance Unit - 500 Ohms, 6
138-36	3/16"-1/4" Open Wrench, 15	2859	Insulator, 8	5697	Flat Type Resistance Unit - 120 Ohms, 6
138-44	.004" Gauge, 15	2920	Lockwasher, 3	5699	Flat Type Resistance Unit - 30 Ohms, 6
138-55	8 oz. Scale, 15	2997	Bushing, 9	5700	Fuse Block, 6
138-58	32 oz. Scale, 15	3016	Selector Bar #1E, 6	5701	Fuse, 6
138-100	Contact Burnisher, 15	3017	Selector Bar #2E, 6	5762	Switch Cover, 8
138-125	.010" Gauge, 15	3018	Selector Bar #3E, 6	5961	Bushing, 6
138-126	.020" Gauge, 15	3019	Selector Bar #4E, 6	6301	Governor Cover, 11
138-128	5/16" Open Wrench, 15	3020	Selector Bar #5E, 6	6305	Governor Brush (Assem.), 11
138-139	Carborundum Contact Stone, 15	3024	"Figs" Spacer Bar, 6	6306	Brush Holder (Single), 11
200-214	Shim, 8	3025	"Ltrs" Spacer Bar, 6	6311	Bakelite Ring, 11
200-1348	Washer, 3	3042	Flat Type Resistance Unit - 150 Ohms, 6	6314	Contact Spring (With Tungsten Contact), 11
M-169	Control Magnet, 7	3043	Flat Type Resistance Unit - 250 Ohms, 6	6318	Contact Spring Clamp, 11
M-177	Magnet Coil, 4	3054	Pneumatic Keytop A -, 16,17	6319	Block, 11
M-186	Magnet Coil (For 12 Volt Operation), 4	3055	Pneumatic Keytop B ?, 16,17	6320	Contact Screw (Tungsten Contact), 11
1028	4-40 x 1/4 Screw, 4,8,9,10	3056	Pneumatic Keytop C :, 16,17	6323	Spring, 11
1030	6-40 Shoulder Screw, 4	3057	Pneumatic Keytop D \$, 16,17	6324	Adjusting Wheel, 11
1043	10-30 x 5/16 Screw, 12	3058	Pneumatic Keytop E 3, 16,17	6330	Adjusting Wheel Bearing, 11
1064	6-32 x 1/4 Screw, 11	3059	Pneumatic Keytop F !, 16,17	6333	Terminal, 11
1073	Thumb Screw, 4	3060	Pneumatic Keytop G &, 16,17	6339	Inner Governor Ring (With Terminal), 11
1096	4-36 x 1/8 Screw, 7,8	3061	Pneumatic Keytop H £, 16,17	6340	Outer Governor Ring (With Terminal), 11
1100	1/4-32 Pilot Screw, 5,13	3062	Pneumatic Keytop I 8, 16,17	6341	Bushing, 11
1118	6-40 Shoulder Screw, 10	3063	Pneumatic Keytop J ', 16,17	6342	Wire, 11,14
1157	8-32 x 1/2 Screw, 10	3064	Pneumatic Keytop K (, 16,17	6344	6-32 x 11/32 Screw, 11
1160	6-40 x 5/16 Screw, 4	3065	Pneumatic Keytop L), 16,17	6345	6-32 Hex. Nut, 11
1162	4-40 x 1/4 Screw, 10	3066	Pneumatic Keytop M ., 16,17	6346	6-32 x 3/4 Screw, 11
1163	4-40 x 3/16 Screw, 7,8	3067	Pneumatic Keytop N ,, 16,17	6347	6-32 x 3/8 Screw, 11
1166	4-36 x 1/4 Screw, 8	3068	Pneumatic Keytop O 9, 16,17	6348	4-36 x 3/4 Screw, 11
1168	4-40 x 5/16 Screw, 11	3069	Pneumatic Keytop P O, 16,17	6354	Brush Cap, 11
1171	6-32 x 3/16 Screw, 6	3070	Pneumatic Keytop Q 1, 16,17	6357	Brush Spring, 11
1173	3-48 x 1/8 Screw, 6	3071	Pneumatic Keytop R 4, 16,17	6358	Brush, 11
1177	4-40 x 11/32 Screw, 8	3072	Pneumatic Keytop S ', 16,17	6558	Insulator, 10
1179	6-40 x 5/8 Screw, 13	3073	Pneumatic Keytop T 5, 16,17	6600	Contact Screw (Platinum Contact), 11
1187	10-32 x 1/4 Screw, 7	3074	Pneumatic Keytop U 7, 16,17	6603	Contact Spring (With Platinum Contact), 11
1245	10-32 x 1 Screw, 10	3075	Pneumatic Keytop V ;, 16,17	6604	Platinum Contact, 11
1250	4-36 x 3/16 Screw, 8	3076	Pneumatic Keytop W 2, 16,17	6617	Tommy, 15
1253	8-32 x 3/8 Screw, 10	3077	Pneumatic Keytop X /, 16,17	6685	Sword, 4
1266	6-32 x 7/16 Screw, 12	3078	Pneumatic Keytop Y 6, 16,17	6686	"T" Lever, 4
1264	10-32 x 1/2 Screw, 14	3079	Pneumatic Keytop Z ", 16,17	6689	Separator Plate, 4
1272	6-40 x 11/16 Screw, 13	3080	Pneumatic Keytop Blank, 16,17	6690	Pullbar Stripper, 3
1285	2-56 x 5/16 Screw, 14	3081	Pneumatic Keytop "Figs", 16	6691	Pullbar Guide, 3
1291	6-32 x 3/4 Screw, 14	3082	Pneumatic Keytop "Ltrs", 16	6692	Pullbar - Standard, 12,16,17,18
1294	4-36 x 1/2 Screw, 14	3094	Insulator, 10		
1297	6-40 x 3/8 Screw, 10	3154	Shaft, 5		
2191	Lockwasher, 1,2,3,4,5,6,7,8,9,10,11,12,13,14	3298	Eccentric Stop, 4		
2199	7/16-32 Hex. Nut, 8	3329	Oiler, 5		
2201	5/16-32 Hex. Nut, 4	3438	Washer, 1,3,4,6,10,11,12		
2247	Washer, 1,2,12	3458	Shim, 7		
2248	Pin, 3	3482	Pneumatic Keytop M \$, 16		
2254	Brass Washer, 12	3577	Pneumatic Keytop M ?, 16		
2259	Brass Washer, 12	3595	1/4-32 Hex. Nut, 7		
2322	Lockwasher, 5	3598	6-40 Hex. Nut, 1,2,3,4,6,7,8,10,14		
		3599	4-40 Hex. Nut, 1,6,10		

NUMERICAL INDEX

6706	Magnet Bracket, 4	6963	Post - Long, 4	7261	Typebar Pallet C : 16,17
6707	Motor 1/20 H.P., 110 V., D.C., 13	6965	Bearing Rod, 4	7262	Typebar Pallet D \$ 16,17
6708	Motor 1/25 H.P., 110 V., A.C., 13	6966	Eccentric Stop, 4	7263	Typebar Pallet E 3 16,17
6709	Armature (For 6707), 13	6969	Main Bracket, 3	7264	Typebar Pallet F 16
6710	Armature (For 6708), 13	6971	Clutch Lever, 5	7265	Typebar Pallet G & 16,17
6732	Motor Mounting Plate, 1	6972	Typebar Backstop (Assem.), 4	7266	Typebar Pallet H 16,17
6743	Operating Arm, 5	6979	Hub (For 3/8" Shaft), 11	7267	Typebar Pallet I 8 16,17
6745	10-32 x 1/2 Screw, 1,3,4,5,10	6983	Code Bar Post, 3	7268	Typebar Pallet J 16
6746	6-40 x 5/16 Screw, 1,2,3,4,5, 6,7,8,9,10,11,13	6985	Main Bail Lever, 5	7269	Typebar Pallet K (16,17,18
6747	Selector Post 53/64" Long (For Machines Without Arma- ture Lock), 4	6986	Sleeve, 5	7270	Typebar Pallet L) 16,17
6770	Bakelite Disc, 11	6987	Spacer Washer, 3	7271	Typebar Pallet M % 16
6796	10-32 x 1/8 Screw, 3,4	6988	Spring, 5	7273	Typebar Pallet O 9 16,17
6799	6-40 Shoulder Screw, 1,2,4	6989	Spring Lever, 5	7274	Typebar Pallet P O 16,17
6800	6-40 Shoulder Screw, 1,2,3,4, 5,8	6990	1/4-32 Pilot Screw, 5	7275	Typebar Pallet Q 1 16,17
6801	4-40 Pilot Screw, 1,2,4,6	6991	Gear, 32 T, 13	7276	Typebar Pallet R 4 16,17
6805	6-40 Shoulder Screw, 1,4,6, 7,8	6993	Clutch Spring, 5	7277	Typebar Pallet S 16
6807	6-40 Set Screw, 3,4	6995	Cam Sleeve (Assem.) (With- out Armature Lock Cam), 5	7278	Typebar Pallet T 5 16,17
6810	10-32 x 3/8 Screw, 1,2,5,6,10	6997	Selector Mounting Plate (With Posts), 4	7279	Typebar Pallet U 7 16,17
6811	6-40 x 5/8 Screw, 1,2,3,4,5, 6,8,11	6998	Post, 4	7280	Typebar Pallet V ; 16,17
6814	6-40 Pilot Screw, 2,6,8	6999	Post, 4	7281	Typebar Pallet W 2 16,17
6825	Spring Bracket, 3	7001	Washer, 1,3,4,6,9	7282	Typebar Pallet X / 16,17
6826	Spring Bracket, 3	7002	Washer, 1,2,3,4,5,6,7,8,9, 10,11,12,14	7283	Typebar Pallet Y 6 16,17
6827	Connecting Block, 10	7007	Trip Plunger, 4	7284	Typebar Pallet Z " 16,17
6830	Stop Pawl Latch, 4	7013	Bushing, 3	7285	Typebar Pallet . . . 16,17
6831	Bracket, 1	7015	Screw Strip, 3	7287	Universal Bar, 7
6832	Mounting Block, 3	7017	Main Bail Plunger, 3	7290	Shaft, 1
6834	Ribbon Reverse Bail, 3	7018	Bushing, 3	7293	Gear - 39T, 8
6836	Magnet Yoke, 4	7020	Plunger, 3	7318	Contact Lever, 8
6840	Driven Clutch, 5	7021	Bushing, 3	7334	Post, 6,7
6841	Main Bail Cam, 5	7022	Reverse Lever - Right, 4	7336	Gear - 19T, 1
6843	Bracket, 3	7023	Reverse Lever - Left, 4	7337	Felt Washer, 6,9
6845	Tape Guide - Right, 1	7024	Reverse Pawl - Right, 4	7338	Post, 6,9
6846	Bearing, 1	7025	Reverse Pawl - Left, 4	7339	Cam Sleeve (Assem.), 8
6850	Bell Crank, 4	7027	Roller, 3	7353	Tape Tension Spring, 14
6859	Spacer Collar, 3	7029	Shaft, 3	7362	Glass, 14
6861	Felt Washer, 5	7030	Feed Pawl, 3	7372	Bearing, 8
6862	Feed Roll Gear, 1,2	7031	Check Pawl, 3	7373	Bearing Bushing, 8
6863	Cam Sleeve Disc, 5	7032	Pawl, 8	7375	Shaft, 7
6874	Roller, 5	7033	Bracket, 4	7377	Lockloop, 8
6875	Code Bar #1, 16	7034	Bushing, 4	7378	Roller, 8
6876	Code Bar #2, 16	7035	Spool Shaft, 4	7380	Transmitter (Assem.) - (With #7381 Contact Mounting (As- sem.), 8
6877	Code Bar #3, 16	7036	Collar, 4	7381	Contact Mounting (Assem.), 8
6878	Code Bar #4, 16	7037	Washer, 4	7382	Front Bracket, 8
6879	Code Bar #5, 16	7038	Reverse Arm Shaft, 4	7383	Oiler, 8
6884	Bracket, 4	7039	Collar, 4	7384	Oiler, 1,8
6885	Brush Holder Bracket, 1	7042	Bevel Gear, 4	7385	Rear Bracket (With Spring Posts), 8
6890	Typebar Segment, 4	7044	Reverse Arm, 4	7386	Post, 8
6893	Backstop Bracket, 4	7046	Spacer Lever, 3	7387	Brace, 8
6904	Shaft (With Ratchet and Detent), 3	7047	Feed Pawl, 3	7388	Keyboard Shaft, 8
6907	Spacer Shaft (With Gears), 1	7048	10-32 Shoulder Screw, 3	7389	Driving Clutch, 8
6908	Base Plate (With Feet), 1	7058	Plate, 3	7391	Driven Clutch, 8
6909	Stop Pawl, 4	7059	Detent, 3	7393	Tape Guide Tube, 6
6915	Code Bar Locking Lever, 12 16,17,18	7067	Collar, 3	7394	Spacer Bar, 6
6916	Function Bar, 12,16,17,18	7068	Bevel Gear, 3	7395	Stop Plate, 6
6917	Function Bar, 12,16,17,18	7070	Ribbon Feed Lever, 3	7396	Bracket - Left, 7
6918	Link, 4	7078	Bearing Post, 6	7397	Bracket - Right, 7
6919	Spacer Locking Ball 1-3/32", 1,2	7080	Spacer Bar Loop, 6	7398	Plate, 6
6920	Post, 1,2	7081	Spring Post, 8	7399	Contact Spring Backstop, 6
6927	Platen Shaft (With Gears), 1	7082	Pinion - 8 T, 13	7400	Disc - 19 Spot, 8
6928	Front Bearing, 1	7084	Connection Strip, 2	7402	Contact Spring - Lower, 6
6929	Carriage Frame, 1	7085	Terminal, 2	7403	Contact Spring - Upper, 6
6930	Tape Guide - Left, 1	7086	Plate, 2	7404	Lockout Lever, 8
6931	Feed Roll Lever (With Post), 1	7088	Slip Connection Guard, 2	7406	Lockout Lever Shaft, 8
6932	Feed Roll, 1	7091	Insulator, 1,2	7407	Spacing Collar - Long, 8
6933	Feed Roll Journal, 1	7093	Connection Strip, 5	7408	Spiral Gear - 19 T, 5
6935	Thumb Wheel, 1,2	7094	Connection Spring, 5	7409	Clutch Lever, 8
6936	Thumb Wheel Locknut, 1,2	7095	Plate, 5	7414	Gear Guard, 5
6937	Shift Bail, 2	7096	Fibre Bushing, 6	7415	1/2-32 Hex. Nut, 5
6938	Shift Bail Lever, 2	7097	Post - 1-15/16" Long (For Machines Without Armature Lock), 5	7416	Adjusting Wheel Guard, 1
6941	Feed Roll Lever, 1,2	7098	Post - 31/32" Long (For Machines Without Armature Lock), 5	7421	Typebar #1 (Without Pallet), 16,17,18
6942	Eccentric Shoulder Screw, 1,4,8	7099	Thumb Screw, 6, 9	7422	Typebar #2 (Without Pallet), 16,17,18
6943	Locking Pawl, 1	7105	10 Spot (Target), 11	7423	Typebar #3 (Without Pallet), 16,17,18
6944	Ribbon Guide, 1	7150	Spacer, 7	7424	Typebar #4 (Without Pallet), 16,17,18
6952	Plunger Sleeve, 3	7185	Gear, 36T, 1	7425	Typebar #5 (Without Pallet), 16,17,18
6954	Leather Strip, 4	7188	Bearing, 1	7426	Typebar #6 (Without Pallet), 16,17,18
6955	Typebar Backstop, 4	7198	Gear Guard, 6	7427	Typebar #7 (Without Pallet), 16,17,18
6960	Platen Roll, 1	7199	Trip Off Pawl, 6	7428	Typebar #8 (Without Pallet), 16,17,18
6962	Post - Short, 4	7256	Gear Hub (Without Post), 8		
		7257	Slip Connection Guard (Key- board), 5		
		7259	Typebar Pallet A - 16,17		
		7260	Typebar Pallet B ? 16,17		

NUMERICAL INDEX

7429	Typebar #9 (Without Pallet), 16,17,18	7785	Pneumatic Keypop - = ,17	8222	Wearing Strip, 13
7430	Typebar #10 (Without Pallet), 16,17,18	7786	Pneumatic Keypop Z . ,17	8254	Cable Clamp, 7,9
7431	Typebar #11 (Without Pallet), 16,17,18	7787	Pneumatic Keypop X f ,17	8255	Pneumatic Keypop H #, 16
7432	Typebar #12 (Without Pallet), 16,17,18	7788	Pneumatic Keypop C (,17	8263	Typebar Pallet Q 1 (Murray), 17
7433	Typebar #13 (Without Pallet), 16,17,18	7789	Pneumatic Keypop V) ,17	8264	Typebar Pallet W 2 (Murray), 17
7434	Typebar #14 (Without Pallet), 16,17,18	7793	Pneumatic Keypop + + ,17	8265	Typebar Pallet R 4 (Murray), 17
7435	Typebar #15 (Without Pallet), 16,17,18	7794	Pneumatic Keypop N - ,17	8266	Typebar Pallet T 5 (Murray), 17
7436	Typebar #16 (Without Pallet), 16,17,18	7795	Pneumatic Keypop M ' ,17	8267	Typebar Pallet E 3 (Murray), 17
7437	Typebar #17 (Without Pallet), 16,17,18	7796	Pneumatic Keypop / / ,17	8268	Typebar Pallet I 8 (Murray), 17
7438	Typebar #18 (Without Pallet), 16,17,18	7798	Spring Pawl Post, 2	8269	Typebar Pallet O 9 (Murray), 17
7439	Typebar #19 (Without Pallet), 16,17,18	7799	Carriage Spring Pawl, 2	8270	Typebar Pallet U 7 (Murray), 17
7440	Typebar #20 (Without Pallet), 16,17,18	7824	Oil Wick, 5	8271	Typebar Pallet Y 6 (Murray), 17
7441	Typebar #21 (Without Pallet), 16,17,18	7825	Function Bar Spring (Stand- ard Tape), 12,16,17,18	8272	Typebar Pallet P O (Murray), 17
7442	Typebar #22 (Without Pallet), 16,17,18	7835	Ribbon - Black, 4	8273	Typebar Pallet B ? (Murray), 17
7443	Typebar #23 (Without Pallet), 16,17,18	7836	Ribbon - Purple, 4	8280	Motor 1/20 H.P., 220 V., D.C., 13
7444	Typebar #24 (Without Pallet), 16,17,18	7885	Typebar #29 (Without Pallet), 17,18	8281	Armature (For #8280), 13
7445	Typebar #25 (Without Pallet), 16,17,18	7887	Strap, 10	8317	Insulator, 2
7446	Typebar #26 (Without Pallet), 16,17,18	7895	Glass Rail - Green, 14	8354	Pneumatic Keypop , 16,17
7447	Typebar #27 (Without Pallet), 16,17,18	7896	Resistance Mounting Block, 10	8360	Pullbar Spring (2" Wide Tape), 12
7448	Typebar #28 (Without Pallet), 16,17,18	7959	Magnet Bracket, 7	8362	Guide Post, 3
7482	Front Keylevers, 6	7965	Spring, 3,8,16,17,18	8428	Spacer Shaft (With Gears), 2
7484	Code Bar Post, 3	8015	Flat Type Resistance Unit - 2000 Ohms, 6	8440	Tape Chute, 2
7485	Governor Complete (With Tung- sten Contact) - (For 3/8" Motor Shaft), 11	8026	Slip Connection Guard (Stand- ard Receiver), 5	8441	Celluloid Cover, 2
7551	Typebar Pallet # , 16	8038	Platen Roll, 2	8448	Lockout Lever (With Rollers), 1
7552	Typebar Pallet N ' , 16	8051	Front Bearing, 2	8450	Locking Toe, 1
7586	Adjusting Screw - Special, 4	8053	Carriage Frame, 2	8453	Code Bar #1B, 16
7588	Nut - Special, 4	8056	Feed Roll, 2	8454	Code Bar #2B, 16
7599	Spring, 3	8057	Disc, 2	8455	Code Bar #3B, 16
7602	Spring, 4	8058	Platen Shaft (With Gear), 2	8456	Code Bar #4B, 16
7603	Spring, 4	8060	Tape Twister, 2	8457	Function Bar, 12,16,18
7607	Collar, 4	8062	Tape Guide, 2	8458	Pull Bar, 12,16,18
7610	Main Shaft Bracket (Standard Tape), 5	8065	Post, 2	8459	Function Bar, 12,16
7612	Spring, 4	8066	Tape Reel Stud, 2	8460	Shift Rocker, 2
7614	Spring, 4	8067	Tape Tension Spring, 9	8461	Post, 1,2
7615	Spring, 5	8068	Slip Connection Guard (2" Wide Tape Receiver), 5	8462	Adjusting Lever, 1
7618	Spring, 1	8069	Cover Plate, 9	8465	Bell Bracket, 1,6
7623	Strap, 6	8072	Base Plate (With Feet), 2	8466	Carriage Locking Pawl, 1
7631	Wire Guard, 13	8073	Main Shaft Bracket (2" Wide Tape), 5	8470	Selector Post 57/64" Long (For Machines With Armature Lock), 4
7634	Pull Bar Spring (Standard Tape), 12,16,17,18	8079	Power Cord (Assem.) - 56-1/2" Long, 9	8472	Locking Wedge, 4
7638	Pneumatic Keypop S ,16	8083	Power Cord - 56-1/2" Long, 9	8474	Main Bail Plunger, 3,4
7639	Pneumatic Keypop F ,16	8094	Brush (With Spring) (For 110 & 220 V.), 13	8476	Typebar Pallet . . (Murray), 17
7640	Pneumatic Keypop J SGL ,16	8097	Cam Sleeve (Assem.), 8	8483	Guard, 1
7641	Pneumatic Keypop # ,16	8132	Cover Plate, 7	8484	Post, 1
7642	Pneumatic Keypop . . ,16,17	8135	Switch Case - Green, 8	8485	Bell Hammer Bracket, 6
7654	Shim, 8	8136	Cable, 6	8488	Bushing, 9
7655	Spring, 1,2	8154	Receiving-only Printer Cover (Assem.) - 2" Wide Tape - Black, 14	8489	Locking Pawl, 9
7656	Spring, 1,2	8157	Selector Lever - Right, 4	8493	Pawl, 3
7659	Spring, 3	8158	Selector Lever - Left, 4	8494	Spring Post, 6
7661	Adjusting Lever, 13	8159	Receiving-only Printer Cover (Assem.) - 2" Wide Tape - Green, 14	8495	Post, 8
7678	Roller Journal, 3	8165	Washer, 11	8497	Bell Hammer, 1
7679	Roller, 3	8169	Glass, 14	8498	Bell Hammer, 6
7687	Tape Chute (Assem.), 1	8170	Felt Pad, 6,9	8499	Shaft (With Ratchet & Detent), 3
7688	Chute, 1	8172	Felt Pad (Receiver 2" Wide Tape), 9	8501	Gear Hub (With Post), 8
7689	Bracket, 1	8173	Flat Type Resistance Unit - 100 Ohms, 6	8504	Post - 1-3/16" Long (For Machines With Armature Lock), 5
7690	Brace, 1	8177	Pneumatic Keypop S Bell, 16	8505	Post - 2-5/32" Long (For Ma- chines With Armature Lock),5
7691	Celluloid Cover, 1	8184	Washer, 3	8507	Cam Sleeve (Assem.) (With Armature Lock Cam), 5
7757	Pneumatic Keypop A : ,17	8190	Typebar Pallet J 7 (Murray),17	8508	Armature, 4
7758	Pneumatic Keypop S 1 ,17	8191	Typebar Pallet X f (Murray),17	8509	Main Bail, 3
7759	Pneumatic Keypop D 2 ,17	8192	Typebar Pallet V) (Murray),17	8510	Adjusting Clamp, 9
7765	Pneumatic Keypop F Y ,17	8193	Typebar Pallet G 7 (Murray),17	8511	Locking Lever, 4
7766	Pneumatic Keypop G 7 ,17	8194	Typebar Pallet F 7 (Murray),17	8514	Stop Plate, 14
7767	Pneumatic Keypop H 7 ,17	8195	Typebar Pallet C (Murray),17	8515	Filler Block, 14
7768	Pneumatic Keypop J 7 ,17	8196	Typebar Pallet D 2 (Murray),17	8516	Wooden Filler - Green, 14
7769	Pneumatic Keypop K 7 ,17	8197	Typebar Pallet S 1 (Murray),17	8523	Code Bar #1A, 17
7779	Pneumatic Keypop L ,17	8198	Typebar Pallet A : (Murray),17	8524	Code Bar #2A, 17
		8199	Typebar Pallet N - (Murray),17	8525	Code Bar #4A, 17
		8200	Typebar Pallet H 7 (Murray),17	8526	Code Bar #5A, 17
		8201	Typebar Pallet L (Murray),17		
		8202	Typebar Pallet M ' (Murray),17		
		8203	Typebar Pallet K 7 (Murray),17		
		8204	Typebar Pallet Z . (Murray),17		
		8205	Typebar Pallet - = (Murray),17		
		8206	Typebar Pallet + + (Murray),17		
		8207	Typebar Pallet / / (Murray),17		
		8220	Glass Rail - Black, 14		

NUMERICAL INDEX

8529	Code Bar #5B, 16	70801	Code Bar #4C, 16	71254	Typebar Pallet , , ,16,17
8530	Code Bar #3A, 17	70803	6-40 Pivot Screw, 4	71266	Washer, 4
8539	6-40 x 1/2 Screw, 1,3,4,6,7, 8,9,12	70815	Gear - 40T, 8	71445	Link, 4
8658	Tape Reel Container - Green (With Hooks), 14	70816	Gear - 35T, 1	71449	Keylever Guide - Rear, 7
8660	Tape Reel Retainer - Green (Without Slot and Catch), 14	70827	Cable (For A.C. & D.C. Motors), 13	71564	.006" Gauge, 15
8667	Tape Lever, 9	70831	Glass Rail - Green, 14	71565	.040" Gauge, 15
8668	Roller, 14	70832	Glass Rail - Black, 14	71566	.050" Gauge, 15
8669	6-40 Shoulder Screw, 14	70833	Copyholder - Green, 14	71567	.060" Gauge, 15
8670	Roller, 14	70834	Copyholder - Black, 14	71610	Motor 1/20 H.P., 12 V., D.C., 13
8671	6-40 Shoulder Screw, 14	70838	Bearing Bracket, 5	71611	Armature (For 71610), 13
8677	Base - Green, 6	70871	Spring Bracket, 3,4	71646	6-32 Hex. Nut, 14
8678	Base - Black, 6	70872	Brush Holder (With Insu- lator), 13	71659	6-40 Shoulder Screw, 1
8682	Sending-Receiving Printer Cover (Assem.) (With Copy- holder & Message Line Guide) - Green, 14	70873	Brush Holder Cap, 13	71669	Fuse & Resistance Bracket, 6
8683	Sending-Receiving Printer Cover (Assem.) - (With Copy- holder and Message Line Guide) - Black, 14	70945	Typebar #25 (With Pallet) K (,18	71670	Resistance Mounting Block, 6,10
8686	Wooden Filler - Black, 14	70948	Shift Rocker Lever, 2	71671	Jack Spring - Left, 6,10
8696	Function Bar, 12	70951	Typebar #1 (With Pallet) J, 16	71672	Cable Clamp, 6
8698	Spacer Locking Ball 29/32", 2	70952	Typebar #2 (With Pallet) I / ,16,17	71675	Jack Spring - Right, 6,10
8699	Shift Rocker Lever, 2	70953	Typebar #3 (With Pallet) Q 1 ,16,17	71681	Ribbon Spool, 4
8778	Cover Stop Arm, 14	70954	Typebar #4 (With Pallet) V ; ,16,17	71682	Relay Bracket (Assem.), 6
8796	Tape Guide, 2	70955	Typebar #5 (With Pallet) G & ,16,17	71686	Shift Rocker Lever, 1
8808	Power Cord - 59-1/4" Long, 9	70956	Typebar #6 (With Pallet) W 2 ,16,17	71695	Bushing, 1
8809	Power Cord (Assem.) 59-1/4" Long, 9	70957	Typebar #7 (With Pallet) F ,16	71696	Range Scale (With Bell Crank Mounting), 4
8817	Feed Roll Lever, 2	70958	Typebar #8 (With Pallet) O : ,16,17	71697	Clamping Plate, 4
8884	Terminal Block, 1,13	70959	Typebar #9 (With Pallet) D \$,16,17	71826	Stud, 8
8898	Function Bar, 12	70960	Typebar #10 (With Pallet) R 4 ,16,17	71844	Spring Post, 1
8899	Spacer Locking Ball 5/8", 2	70961	Typebar #11 (With Pallet) S ,16	71858	Washer, 3
9177	Contact Stop, 8	70962	Typebar #12 (With Pallet) A - ,16	71969	Shift Rocker Arm, 1
9178	Contact Spring, 8	70963	Typebar #13 (With Pallet) T 5 ,16,17	71970	Shift Rocker, 1
9182	Contact Lever Shaft, 8	70964	Typebar #14 (With Pallet) E 3 ,16,17	71974	Pinion - 7T, 13
9203	Bracket (With Rollers), 7	70965	Typebar #15 (With Pallet) N ' ,16	71976	Stop Pawl Plate, 4
9209	Lower Keylever, 6	70966	Typebar #16 (With Pallet) I 8 ,16,17	71980	Roller, 1
9210	Center Keylever, 6	70967	Typebar #17 (With Pallet) O 9 ,16,17	71981	Rivet, 1
9211	Upper Keylever, 6	70968	Typebar #18 (With Pallet) H & ,16,17	71982	Bushing, 1
9307	Switch, 8	70969	Typebar #19 (With Pallet) L) ,16,17	71993	Pneumatic Keytop N ' ,16
9339	Terminal Block (Assem.), 8	70970	Typebar #20 (With Pallet) U 7 ,16,17	71995	Pneumatic Keytop C 1/8 ,16
9385	"Figs" Spacer Bar Loop, 6	70971	Typebar #21 (With Pallet) M % ,16	71998	Brush Holder Ring (With Set Screw), 13
9386	"Ltrs" Spacer Bar Loop, 6	70972	Typebar #22 (With Pallet) Y 6 ,16,17	71999	End Play Spring, 13
9526	Plug - European, 9	70973	Typebar #23 (With Pallet) P O ,16,17	72003	Contact Spring Bender, 15
9536	Power Cord (Assem.) - European, 9	70974	Typebar #24 (With Pallet) B ? ,16,17	72018	Spring Bracket, 1
9599	Switch Case - Black, 8	70975	Typebar #25 (With Pallet) K (,16,17	72019	Toe, 1
9695	Plunger, 7	70976	Typebar #26 (With Pallet) Z " ,16,17	72021	Resistance Mounting Block (Assem.), 6,10
9767	Detent, 2	70977	Typebar #27 (With Pallet) ,16	72022	Resistance Mounting Block (Assem.), 6
22015	Spring, 10	70978	Typebar #28 (With Pallet) . ,16,17	72023	Cover Plate, 7,9
34432	Washer, 4,10	71037	Set of Tools, 15	72031	Celluloid Keytop A - ,16,17
35503	Rubber Foot, 14	71045	Locknut - Special, 4	72032	Celluloid Keytop B ? ,16,17
35858	Bell, 10	71046	Stop Screw - Special, 4	72033	Celluloid Keytop C : ,16,17
41732	Clamping Plate, 10,11	71047	Shim, 1,3,12	72034	Celluloid Keytop D \$,16,17
41733	Insulator, 10,11	71053	Pneumatic Keytop F 1/4, 16	72035	Celluloid Keytop E 3 ,16,17
41820	Contact Spring, 10	71057	Pneumatic Keytop L 3/4, 16	72036	Celluloid Keytop F ,16
55080	Bezel (Used With Celluloid Keytops), 6	71073	Washer, 4	72037	Celluloid Keytop G & ,16,17
55318	6-32 x 1/4 Screw, 14	71161	Bushing, 8	72038	Celluloid Keytop H & ,16,17
55344	10-32 x 1-5/8 Screw, 6,10	71170	Pneumatic Keytop / / ,17	72039	Celluloid Keytop I 8 ,16,17
70073	3-48 Hex. Nut, 3	71189	Copper Bearing Retainer, 13	72040	Celluloid Keytop J 8gl ,16
70177	6-40 Pilot Screw, 7	71196	Keylever (With Extension), 6	72041	Celluloid Keytop K (,16,17
70227	Hub (For 1/4" Shaft), 11	71249	Typebar Pallet S ' ,16,17	72042	Celluloid Keytop L) ,16,17
70361	Resistance Unit (Assem.) - 250-500-1000 Ohms, 9	71250	Typebar Pallet F ' ,16,17	72043	Celluloid Keytop M % ,16
70415	Flat Type Resistance Unit - 1510 Ohms, 6	71251	Typebar Pallet J ' ,16,17	72044	Celluloid Keytop N ' ,16
70416	Flat Type Resistance Unit - 200 Ohms, 6	71252	Typebar Pallet W , ,10,17	72045	Celluloid Keytop O 9 ,16,17
70497	5/16-32 Hex. Nut, 5	71253	Typebar Pallet M . ,16,17	72046	Celluloid Keytop P O ,16,17
70722	Resistance Unit - 500 Ohms, 9			72047	Celluloid Keytop Q 1 ,16,17
70735	Motor 1/25 H.P., 220 V., A.C., 13			72048	Celluloid Keytop R 4 ,16,17
70736	Armature (For #70735), 13			72049	Celluloid Keytop S ,16
70771	Oil Cup, 13			72050	Celluloid Keytop T 5 ,16,17
70785	Spring Post, 7			72051	Celluloid Keytop U 7 ,16,17
70791	Tape Reel Container - Black (With Hooks), 14			72052	Celluloid Keytop V ; ,16,17
70793	Washer, 4			72053	Celluloid Keytop W 2 ,16,17
70794	Reversing Lever - Left, 4			72054	Celluloid Keytop X / ,16,17
70795	Reversing Lever - Right, 4			72055	Celluloid Keytop Y 6 ,16,17
70796	Ribbon Spool Cup - Right, 4			72056	Celluloid Keytop Z " ,16,17
70797	Ribbon Spool Cup - Left, 4			72057	Celluloid Keytop Figs ,16
70799	Code Bar #20, 16			72058	Celluloid Keytop Ltrs ,16
70800	Code Bar #30, 16			72059	Celluloid Keytop . . ,16,17
				72060	Celluloid Keytop # ,16
				72061	Celluloid Keytop Blank ,16,17
				72064	Resistance Unit - 1000 Ohms,9
				72065	Resistance Unit (Assem.) - 500-1000-2000 Ohms, 9
				72071	Line Cord - Red, 9
				72072	Line Cord (Assem.) - Red, 9
				72088	6-40 x 3/4 Screw, 11
				72144	Pivot Pin, 14
				72151	Typebar #1 (With Pallet) A : (Murray), 17

NUMERICAL INDEX

72152	Typebar #2 (With Pallet) X # (Murray), 17	72693	Typebar Pallet L 3/4, 16	73307	Pneumatic Keypop 1, 18
72153	Typebar #3 (With Pallet) Q 1 (Murray), 17	72694	Typebar Pallet M ? , 16	73308	Pneumatic Keypop 2, 18
72154	Typebar #4 (With Pallet) V) (Murray), 17	72695	Typebar Pallet B 5/8 , 16	73309	Pneumatic Keypop 3, 18
72155	Typebar #5 (With Pallet) G Y (Murray), 17	72696	Typebar Pallet K 1/2 , 16	73310	Pneumatic Keypop 4, 18
72156	Typebar #6 (With Pallet) W 2 (Murray), 17	72697	Set of Fractions Type Pallets, 16	73311	Pneumatic Keypop 5, 18
72157	Typebar #7 (With Pallet) F Y (Murray), 17	72704	Pneumatic Keypop V 3/8 , 16	73312	Pneumatic Keypop 6, 18
72158	Typebar #8 (With Pallet) C (Murray), 17	72705	Pneumatic Keypop B 5/8 , 16	73313	Pneumatic Keypop 7, 18
72159	Typebar #9 (With Pallet) D 2 (Murray), 17	72706	Pneumatic Keypop N 7/8 , 16	73314	Pneumatic Keypop 8, 18
72160	Typebar #10 (With Pallet) R 4 (Murray), 17	72707	Pneumatic Keypop K 1/2 , 16	73315	Pneumatic Keypop 9, 18
72161	Typebar #11 (With Pallet) S 1 (Murray), 17	72708	Set of Fractions Keypop (Pneumatic), 16	73316	Pneumatic Keypop 0, 18
72162	Typebar #12 (With Pallet) J Y (Murray), 17	72739	Guard, 5	73358	Bushing (With Wick), 5
72163	Typebar #13 (With Pallet) T 5 (Murray), 17	72824	Celluloid Keypop M . , 16, 17	73359	Main Shaft (With Gear Hub and Wicks), 5
72164	Typebar #14 (With Pallet) E 3 (Murray), 17	72825	Celluloid Keypop S Bell, 16	73370	Gauge, 15
72165	Typebar #15 (With Pallet) N - (Murray), 17	72826	Celluloid Keypop P ! , 16, 17	73392	Bushing, 3
72166	Typebar #16 (With Pallet) I 8 (Murray), 17	72827	Celluloid Keypop J ' , 16, 17	73497	Plug, 9
72167	Typebar #17 (With Pallet) O 9 (Murray), 17	72828	Celluloid Keypop S ' , 16, 17	73498	Line Cord (Assem.) - Standard, 9
72168	Typebar #18 (With Pallet) H Y (Murray), 17	72829	Celluloid Keypop , , 16, 17	73514	Brush Holder (Double), 11
72169	Typebar #19 (With Pallet) L (Murray), 17	72830	Celluloid Keypop N , , 16, 17	73528	Contact Spring, 7
72170	Typebar #20 (With Pallet) U 7 (Murray), 17	72835	Tungsten Contact, 11	73592	Shim, 7
72171	Typebar #21 (With Pallet) M ' (Murray), 17	72883	Felt Washer, 5	73593	Contact Spring, 7
72172	Typebar #22 (With Pallet) Y 6 (Murray), 17	72884	Disc, 5	73595	Clamping Stud, 13
72173	Typebar #23 (With Pallet) P O (Murray), 17	72885	Spring, 5	73611	Oil Wick, 1
72174	Typebar #24 (With Pallet) B ? (Murray), 17	72933	Typebar #1 (With Pallet) S ' , 16	73639	Rod, 14
72175	Typebar #25 (With Pallet) K Y (Murray), 17	72934	Typebar #4 (With Pallet) V 3/8 , 16	73640	Bracket (With Rod), 14
72176	Typebar #26 (With Pallet) Z . (Murray), 17	72935	Typebar #7 (With Pallet) F ! , 16, 17	73641	Line Guide (Assem.), 14
72177	Typebar #27 (With Pallet) - = (Murray), 17	72936	Typebar #7 (With Pallet) F 1/4 , 16	73670	Terminal Block (Assem.), 8, 10
72178	Typebar #28 (With Pallet) + + (Murray), 17	72937	Typebar #8 (With Pallet) C 1/8 , 16	73671	Toggle Switch, 8
72179	Typebar #29 (With Pallet) / / (Murray), 17	72938	Typebar #11 (With Pallet) J ' , 16	73672	Switch Case, 8
72182	Locating Plate, 1	72939	Typebar #15 (With Pallet) N , , 16, 17	73678	Switch Cover, 8
72284	Spring Post, 1	72940	Typebar #15 (With Pallet) N 7/8 , 16	73679	Key & Switch Unit (Assem.) (Green), 8
72425	Power Cord, 10	72941	Typebar #18 (With Pallet) H # , 16	73705	Terminal Block, 8, 10
72426	Power Cord (Assem.), 10	72942	Typebar #19 (With Pallet) L 3/4 , 16	73765	Sending-Receiving Printer Cutaway Cover (Assem.) (With Accessories) (Includes Copyholder and Message Line Guide, #73779 Tape Guide (Assem.) & #73789 Guard) - Black, 14
72480	Receptacle (Polarized), 10	72943	Typebar #21 (With Pallet) M . , 16, 17	73778	Base - Green, 9
72481	Plug (Polarized), 10	72944	Typebar #21 (With Pallet) M ? , 16	73779	Tape Guide (Assem.), 14
72484	Control Relay (Assem.), 7	72945	Typebar #24 (With Pallet) B 5/8 , 16	73781	Pneumatic Keypop = - , 17
72513	Driving Clutch, 5	72946	Typebar #25 (With Pallet) K 1/2 , 16	73782	Pneumatic Keypop Z 3 , 17
72514	Spring, 5	72947	Typebar #27 (With Pallet) , , 16, 17	73783	Pneumatic Keypop A 3 , 17
72515	5/16-32 Hex. Nut - Special, 5	72972	Cable, 6, 9	73784	Typebar Pallet A 6 (Murray), 17
72516	Retaining Disc, 5	72975	Base - Black, 9	73785	Typebar Pallet Z 3 (Murray), 17
72517	Keyed Nut, 5	72983	Lower Keylever, 6	73786	Typebar Pallet = - (Murray), 17
72521	Oil Wick, 5	72984	Center Keylever, 6	73789	Guard, 14
72522	Oil Wick, 5	72985	Upper Keylever, 6	73792	Typebar Pallet N * (Murray), 17
72562	Driving Clutch, 5	72988	Typebar Pallet . , , 16	73793	Pneumatic Keypop X " , 17
72563	Felt Washer, 5	72989	Typebar Pallet = # , 16	73829	Adapter Plate, 8
72565	Lockwasher, 5	72994	Receiving-only Printer Cover (Assem.), 14	73967	Celluloid Cover, 14
72574	Locking Bail Finger Holding Tool, 15	73096	Shift Rocker Arm, 2	73968	Tape Guide, 14
72575	Locking Bail Finger Bending Tool, 15	73099	Celluloid Keypop = # , 16	74059	6-40 x 7/32 Screw, 7
72576	Main Shaft (With Gear Hub), 5	73100	Celluloid Keypop . , , 16	74687	6-40 x 1/3 Screw, 7
72579	Washer, 5	73106	Gear - 35T, 13	74727	Contact Terminal, 10
72581	Gauge Pin, 15	73107	Bushing, 5	74762	Front Keylever, 6
72592	Bracket, 14	73153	Hook - Right - Green, 14	74879	Post, 2
72595	Spring, 1	73154	Hook - Left - Green, 14	75001	Pneumatic Keypop / Q , 18
72627	Base - Black, 9	73161	Resistor - 50 Ohms, 14	75002	Pneumatic Keypop ? W , 18
72644	Ball Bearing, 5	73176	Switch Case, 7, 8	75003	Pneumatic Keypop 2 E , 18
72663	Relay Bracket, 6	73178	Separator, 8	75004	Pneumatic Keypop - R , 18
72688	Typebar Pallet V 3/8, 16	73179	Insulator, 7, 8	75005	Pneumatic Keypop ! T , 18
72689	Typebar Pallet F 1/4, 16	73180	Toggle Switch, 7, 8	75006	Pneumatic Keypop 3 Y , 18
72690	Typebar Pallet C 1/8, 16	73181	Push Button, 8	75007	Pneumatic Keypop 4 U , 18
72691	Typebar Pallet N 7/8, 16	73231	Steel Bearing Retainer, 13	75008	Pneumatic Keypop * I , 18
72692	Typebar Pallet H # , 16	73232	Felt Washer, 13	75009	Pneumatic Keypop 5 C , 18
		73236	Field Frame (With Oil Cup), 13	75010	Pneumatic Keypop 6 P , 18
		73237	End Shield (With Oil Cup), 13	75011	Pneumatic Keypop 1 A , 18
		73238	Field Core (For #6708), 13	75012	Pneumatic Keypop ; 8 , 18
		73239	Field Coils (For #6708), 13	75013	Pneumatic Keypop 0 D , 18
		73240	Field Core (For #5707), 13	75014	Pneumatic Keypop 7 F , 18
		73241	Field Coils (For #5707), 13	75015	Pneumatic Keypop 7 G , 18
		73242	Insulation (For One Field Coil), 13	75016	Pneumatic Keypop 4 H , 18
		73243	Locking Wedge, 13	75017	Pneumatic Keypop 6 J , 18
		73244	10-32x7/8 Locking Wedge Screw, 13	75018	Pneumatic Keypop (K , 18
				75019	Pneumatic Keypop = L , 18
				75020	Pneumatic Keypop * , 18
				75021	Pneumatic Keypop : Z , 18
				75022	Pneumatic Keypop , X , 18
				75023	Pneumatic Keypop 9 C , 18
				75024	Pneumatic Keypop ' V , 18
				75025	Pneumatic Keypop 8 B , 18

NUMERICAL INDEX

75026	Pneumatic Keypop M ^a N ,18	75657	Celluloid Keypop B 5/8 ,16	77864	Spacer Bar - Left, 6
75027	Pneumatic Keypop) M ,18	75658	Celluloid Keypop N 7/8 ,16	77865	Selector Bar #5A, 7
75028	Pneumatic Keypop & E ,18	75674	Governor Resistance Strap, 10	77866	Selector Bar #5, 7
75029	Pneumatic Keypop . N ,18	75675	Flat Type Resistance Short	77867	Selector Bar #4A, 7
75071	Terminal Block (Assem.), 8		Circuiting Strap, 10	77868	Selector Bar #4, 7
75151	Typebar Pallet J 6 ,18		Base - Green, 9	77869	Selector Bar #3A, 7
75152	Typebar Pallet X , ,18	75686	Bearing, 1	77870	Selector Bar #3, 7
75153	Typebar Pallet Q / ,18	75687	Bearing, 1	77871	Selector Bar #2A, 7
75154	Typebar Pallet V ' ,18	75689	Spring, 3	77872	Selector Bar #2, 7
75155	Typebar Pallet G 7 ,18	75698	Celluloid Keypop L ,17	77873	Selector Bar #1A, 7
75156	Typebar Pallet W ? ,18	75702	Celluloid Keypop V) ,17	77874	Selector Bar #1, 7
75157	Typebar Pallet F ? ,18	75704	Celluloid Keypop N - ,17	77875	Front Guard Plate, 6,7
75158	Typebar Pallet C 9 ,18	75705	Celluloid Keypop M ? ,16	77876	Post, 7
75159	Typebar Pallet D 0 ,18	75750	Bakelite Washer, 10,12	77877	Rubber Foot, 7
75160	Typebar Pallet R - ,18	75765	Spring Hook - Pull, 15	77878	Bearing Post, 6,7
75161	Typebar Pallet S ; ,18	75766	Special Tool, 15	77879	Loop Guide Bushing, 6
75162	Typebar Pallet A 1 ,18	75805	.008" - .020" Wire Gauge, 15	77880	Spacer Keylever, 6
75163	Typebar Pallet T ! ,18	75806	.010" - .040" Wire Gauge, 15	77881	Keylever Guide & Spring
75164	Typebar Pallet E 2 ,18	75807	.015" - .045" Wire Gauge, 15		Bar, 7
75165	Typebar Pallet N M ^a ,18	75808	Case for #75805, 75806, 75807	77882	Keylever Guide, 6
75166	Typebar Pallet I * ,18		75765, 75503 & 138-30, 15	77883	Code Bar #1F, 18
75167	Typebar Pallet O 5 ,18	75809	Set of Gauges (With Case), 15	77884	Code Bar #2F, 18
75168	Typebar Pallet H # ,18	75810	1/2"-3/4" Open Trench, 15	77885	Code Bar #3F, 18
75169	Typebar Pallet L = ,18	75852	Celluloid Keypop H # ,18	77886	Code Bar #4F, 18
75170	Typebar Pallet U 4 ,18	76244	Contact Spring, 10	77887	Code Bar #5F, 18
75171	Typebar Pallet M) ,18	76333	Bushing, 10	77897	Filter Unit Container
75172	Typebar Pallet Y 3 ,18	76484	Fan, 13		(Assem.), 12
75173	Typebar Pallet P % ,18	77187	Bell Hammer, 10	77898	Bracket, 12
75174	Typebar Pallet B 8 ,18	77188	Contact Arm, 10	77899	Filter Unit Container, 12
75175	Typebar Pallet Z : ,18	77189	Finger Arm, 10	77900	Retard Coil, 12
75176	Typebar Pallet E & ,18	77190	Detent Arm, 10	77901	6-32 x 1/2 Screw, 12
75177	Typebar Pallet * * ,18	77191	Bracket, 10	77902	6-40 x 3/8 Screw, 12
75178	Typebar Pallet N . ,18	77204	Blank Pullbar, 12	77903	Condenser - 1 mf., 12
75217	Line Cord - Standard, 9	77205	Celluloid Keypop A : ,17	77904	Condenser - 1/10 mf., 12
75226	Oil Wick, 3	77206	Celluloid Keypop S : ,17	77905	Strap, 12
75229	Spring, 4	77207	Celluloid Keypop D * ,17	77906	8-32 x 3/8 Screw, 12
75231	Bushing, 7	77208	Celluloid Keypop F % ,17	77907	Insulator, 12
75336	Celluloid, 1	77209	Celluloid Keypop G % ,17	77911	Brush Cap - Special, 12
75429	10-32 x 1-1/2 Screw, 10	77210	Celluloid Keypop H % ,17	77917	Bracket, 12
75430	Strap, 10	77211	Celluloid Keypop J % ,17	77918	Insulator, 12
75431	Relay Bracket, 10	77212	Celluloid Keypop K % ,17	77919	Strap, 12
75432	Rear Bracket, 10	77213	Celluloid Keypop - = ,17	77920	6-40 x 5/8 Screw, 12
75433	Key Bracket, 10	77214	Celluloid Keypop Z . ,17	77921	Retard Coil, 12
75434	Relay Base, 10	77215	Celluloid Keypop X & ,17	77955	Washer, 4
75436	Resistance (3000 Ohms), 10	77216	Celluloid Keypop C (,17	78019	Power Cord, 9
75437	Key, 10	77217	Celluloid Keypop M ' ,17	78025	4-48 x 3/16 Screw, 13
75450	Post, 1	77218	Celluloid Keypop / / ,17	78029	Oil Wick, 8
75503	Spring Hook - Push, 15	77219	Celluloid Keypop + + ,17	78191	Switch Unit (Assem.), 7
75508	Line Relay Unit for Sending- Receiving Printers (with #75437 Key) - 10	77221	Bracket, 14	78192	Cover Plate, 7
		77222	Bell & Break Signal Mechanism (Assem.), 10	78204	Front Keylever, 6
75522	Cable, 6	77232	Sending-Receiving Printer Outaway Cover (Assem.) - (With Accessories) (Includes Copyholder & Message Line Guide, #73779 Tape Guide (As- sem.) & #73789 Guard)-Green, 14	78244	Oiler, 3
75525	Celluloid Keypop S P ,16			78245	6-32 x 7/8 Screw, 12
75527	Typebar Pallet S P ,16	77307	Switch Cover Guard, 8	78301	10-32 x 5/8 Screw, 12
75554	Set of Fractions Type Pallets, 16	77308	Key & Switch Unit (Assem.) - (Black), 8	78363	Terminal, 10
75555	Typebar Pallet V % ,16			78365	Bakelite Cover, 10
75556	Typebar Pallet F % ,16	77359	Contact Parts (Assem.), 10	78385	Contact Parts (Assem.), 10
75557	Typebar Pallet C % ,16	77377	Hook - Left - Black, 14	78398	Bushing, 11
75558	Typebar Pallet M % ,16	77378	Hook - Right - Black, 14	78399	Brush Holder Spring (With Brush), 11
75560	Typebar Pallet L % ,16	77383	Pneumatic Keypop S P ,16	78400	Brush Holder Spring (With Brush), 11
75562	Typebar Pallet B % ,16	77384	Pneumatic Keypop . ,16	78403	Contact Brush, 11
75563	Typebar Pallet K % ,16	77385	Pneumatic Keypop = # ,16	78437	Insulator, 11
75564	Typebar #4 (With Pallet) V % ,16	77399	Rivet, 14	78438	Bushing, 11
75565	Typebar #7 (With Pallet) F % ,16	77451	Stop, 6	78439	Governor Shell, 11
75566	Typebar #8 (With Pallet) C % ,16	77613	Filter Unit (Assem.), 12	78443	Outer Contact Disc, 11
75567	Typebar #15 (With Pallet) N % ,16	77614	Filter Unit (Assem.), 12	78451	Cover, 11
75569	Typebar #19 (With Pallet) L % ,16	77618	Case for Small Tools, 15	78476	Field Core (For 70735), 13
75571	Typebar #24 (With Pallet) B % ,16	77642	Lower Keylever, 6	78477	Field Coils (For 70735), 13
75572	Typebar #25 (With Pallet) K % ,16	77645	Center Keylever, 6	78479	Field Core (For 8280), 13
75599	Typebar #11 (With Pallet) S P ,16	77649	Condenser 1/4-1/2 mf., 10	78480	Field Coils (For 8280), 13
75600	Typebar #27 (With Pallet) . ,16	77810	Resistance (300 Ohms), 12	78495	Governor Shell (Assem.), 11
75601	Typebar #28 (With Pallet) = # ,16	77811	Resistance (75 Ohms), 12	78496	Outer Disc Contact Spring, 11
75606	Spring, 8	77812	Post, 1,2	78497	Inner Disc Contact Spring, 11
75607	Washer, 8	77846	Rocker Arm #5, 7	78509	Gear - 30T, 13
75652	Celluloid Keypop F 1/4, 16	77847	Rocker Arm #4, 7	78510	Pinion - 7T, 13
75653	Celluloid Keypop K 1/2, 16	77848	Rocker Arm #3, 7	78518	Cable for Line Relay Unit, 10
75654	Celluloid Keypop L 3/4, 16	77849	Rocker Arm #2, 7		
75655	Celluloid Keypop C 1/8, 16	77850	Rocker Arm #1, 7	78533	Spring, 1
75656	Celluloid Keypop V 3/8, 16	77852	Selector Bar Bracket, 7	78596	Washer, 4
		77853	Universal Bar Adjusting Bracket, 7	78597	10-32 Shoulder Screw, 4
		77854	Shaft, 7	78627	Cable to Keyboard Contacts, 12
		77856	Shaft, 6		
		77857	Rocker Arm Bushing, 7	78628	Cable to Terminal Block, 12
		77859	Cover Plate, 7	78629	Cable to Motor Commutator and Governor Contacts, 12
		77861	Spacer Bar Loop, 6	78662	Celluloid Keypop, / ,17
		77863	Spacer Bar - Right, 6	78675	Terminal Block and Magnet Cord, 1,5

NUMERICAL INDEX

78781	Magnet Strap, 4	80754	Oiler, 13	82664	Typebar #28 (With Pallet)
78823	Spring, 3	80840	Insulating Block, 14	* * , 18	
78824	Spring, 4	80911	Conduit, 14	82665	Typebar #29 (With Pallet)
78826	Mounting Block, 4	80912	Resistor Unit (Assem.)	N . , 18	
78829	Bakelite Cover, 10		50 Ohms (Used When #6708	82838	Governor Complete (With
80153	Resistance (600-810 Ohms), 10		Motor is Used on 25 Cy-	Platinum Contact) - (For	
80177	Insulator - Front, 7,8		cle), 14	3/8" Shaft), 11	
80178	Insulator - Rear, 7,8	80925	Connector, 14	82839	Rotor (Assem.) - (With
80180	Spring, 7,8	80934	Tape Reel Retainer-Black	Bearing and Switch), 13	
80205	Insulator - Front, 8		(With Slot and Catch), 14	82840	Rotor (Assem.), 13
80291	Governor Shell (Assem.)	80948	Wood Screw, 14	82841	Switch, 13
	(Without Hub), 11	80951	Handle, 5	82843	Spring, 13
80299	End Play Spring, 13	80968	Cable for Line Relay Unit, 10	82845	Washer, 13
80303	Fan, 13	81728	Tape Guard, 10	82848	Brush Holder, 13
80307	Bracket (With Bushing), 13	81774	Washer, 12	82850	End Shield, 13
80308	Fibre Bushing, 13	81778	4-40 x 3/16" Screw, 10	83526	Typebar #1 (With Pallet),
80309	Felt Washer, 13	81779	Field Core (For #71610), 13	A - , 17	
80310	Felt Washer, 13	81780	Field Coils (For #71610), 13	83527	Typebar #12 (With Pallet),
80311	Cup Washer, 13	81781	Brush (With Spring) - (For	J ' , 17	
80312	Washer, 13		12 V.), 13	83528	Typebar #1 (With Pallet),
80313	Washer, 13	81790	Keyboard Contact Cover, 8	A % (Murray) , 17	
80329	Condenser Cup, 12	82073	Cable, 9	83529	Typebar #15 (With Pallet),
80330	Insulator, 12	82240	Typebar #11 (With Pallet)	N " (Murray) , 17	
80334	Contact Terminal, 11		S ' , 16, 17	83530	Typebar #26 (With Pallet),
80335	Clamping Plate, 11	82241	Typebar #1 (With Pallet)	Z \$ (Murray) , 17	
80336	Insulator, 11		J ' , 16	83531	Typebar #27 (With Pallet),
80337	Bracket, 11	82279	Clip, 14	= - (Murray) , 17	
80338	Governor Adjusting Bracket, 11	82281	Guide, 14		
80340	Brush Spring Plate, 11	82283	Synchronous Motor 1/40 H.P.,		
80341	Governor Brush & Speed Adjust-		110 V., 60 cycle, A.C., 13		
	ing Bracket (Assem.), 11	82493	Washer, 4		
80342	6-40 x 23/64" Screw, 11	82581	Front Keylever, 6		
80351	8-36 x 5/16 Screw, 13	82615	"Figs" Spacer Bar, 6		
80352	Center Contact Governor Com-	82616	"Ltrs" Spacer Bar, 6		
	plete (With Hub For 3/8"	82636	Typebar #1 (With Pallet)		
	Motor Shaft), 11		J 6 , 18		
80355	4-48 x 7/16 Screw, 13	82637	Typebar #1 (With Pallet)		
80358	Ball Bearing, 13		F 7 , 18		
80365	Spring, 1	82638	Typebar #2 (With Pallet)		
80444	6-40 x 1/4 Screw, 11		X . , 18		
80471	Clutch Spring, 8	82639	Typebar #3 (With Pallet)		
80508	4-40 x 25/32 Screw, 10		Q / , 18		
80558	End Shield, 13	82640	Typebar #4 (With Pallet)		
80559	Clamping Screw, 13		V ' , 18		
80566	Bushing, 7,8	82641	Typebar #5 (With Pallet)		
80581	Spring, 6		G 7 , 18		
80659	Celluloid Keytop 1 , 18	82642	Typebar #6 (With Pallet)		
80660	Celluloid Keytop 2 , 18		W ? , 18		
80661	Celluloid Keytop 3 , 18	82643	Typebar #7 (With Pallet)		
80662	Celluloid Keytop 4 , 18		F 7 , 18		
80663	Celluloid Keytop 5 , 18	82644	Typebar #7 (With Pallet)		
80664	Celluloid Keytop 6 , 18		J 6 , 18		
80665	Celluloid Keytop 7 , 18	82645	Typebar #8 (With Pallet)		
80666	Celluloid Keytop 8 , 18		C 9 , 18		
80667	Celluloid Keytop 9 , 18	82646	Typebar #9 (With Pallet)		
80668	Celluloid Keytop 0 , 18		D 0 , 18		
80669	Celluloid Keytop / Q , 18	82647	Typebar #10 (With Pallet)		
80670	Celluloid Keytop ? W , 18		R - , 18		
80671	Celluloid Keytop 2 E , 18	82648	Typebar #11 (With Pallet)		
80672	Celluloid Keytop - R , 18		S ; , 18		
80673	Celluloid Keytop ! T , 18	82649	Typebar #12 (With Pallet)		
80674	Celluloid Keytop 3 Y , 18		A 1 , 18		
80675	Celluloid Keytop 4 U , 18	82650	Typebar #13 (With Pallet)		
80676	Celluloid Keytop * I , 18		T 1 , 18		
80677	Celluloid Keytop 5 O , 18	82651	Typebar #14 (With Pallet)		
80678	Celluloid Keytop 6 P , 18		E 2 , 18		
80679	Celluloid Keytop 1 A , 18	82652	Typebar #15 (With Pallet)		
80680	Celluloid Keytop ; S , 18		N N ^a , 18		
80681	Celluloid Keytop 0 D , 18	82653	Typebar #16 (With Pallet)		
80682	Celluloid Keytop Timb F , 18		I 4 , 18		
80683	Celluloid Keytop 7 G , 18	82654	Typebar #17 (With Pallet)		
80684	Celluloid Keytop # H , 18		O 5 , 18		
80685	Celluloid Keytop 6 J , 18	82655	Typebar #18 (With Pallet)		
80686	Celluloid Keytop (K , 18		H # , 18		
80687	Celluloid Keytop = L , 18	82656	Typebar #19 (With Pallet)		
80688	Celluloid Keytop * , 18		L = , 18		
80689	Celluloid Keytop : Z , 18	82657	Typebar #20 (With Pallet)		
80690	Celluloid Keytop , X , 18		U 4 , 18		
80691	Celluloid Keytop 9 C , 18	82658	Typebar #21 (With Pallet)		
80692	Celluloid Keytop ' V , 18		M) , 18		
80693	Celluloid Keytop 8 B , 18	82659	Typebar #22 (With Pallet)		
80694	Celluloid Keytop N ^a N , 18		Y 3 , 18		
80695	Celluloid Keytop) M , 18	82660	Typebar #23 (With Pallet)		
80696	Celluloid Keytop & E , 18		P % , 18		
80697	Celluloid Keytop . N , 18	82661	Typebar #24 (With Pallet)		
80699	Code Bar #1H, 18		B 8 , 18		
80700	Code Bar #2H, 18	82662	Typebar #26 (With Pallet)		
80701	Code Bar #3H, 18		Z : , 18		
80702	Code Bar #4H, 18	82663	Typebar #27 (With Pallet)		
80703	Code Bar #5H, 18		E & , 18		