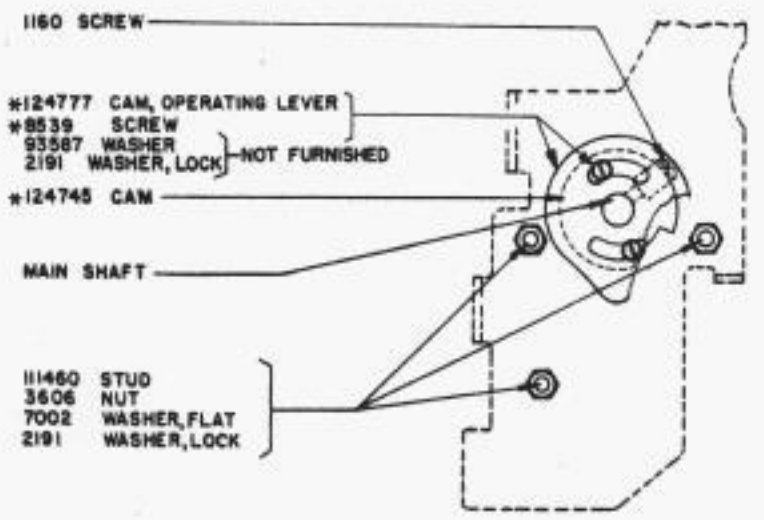
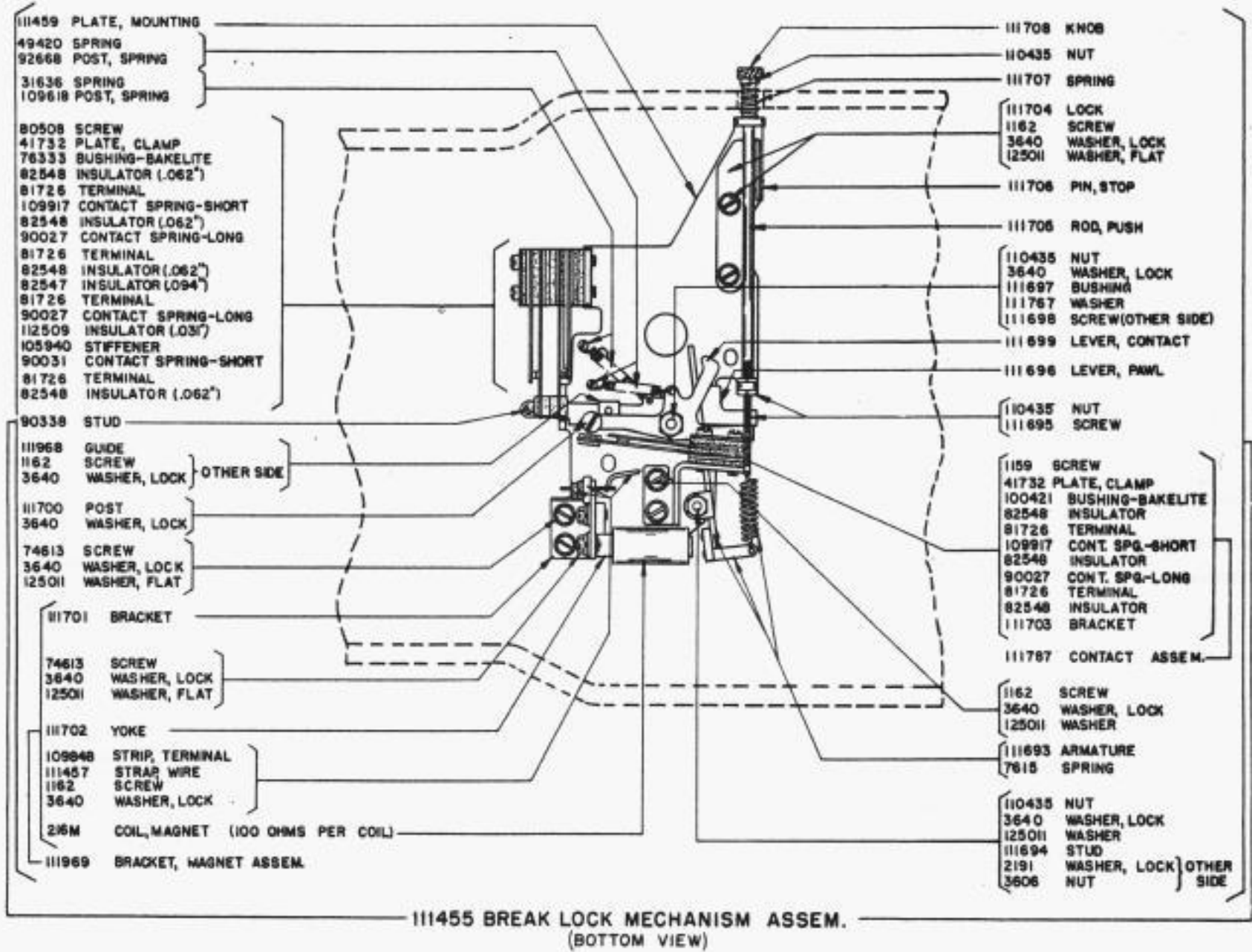


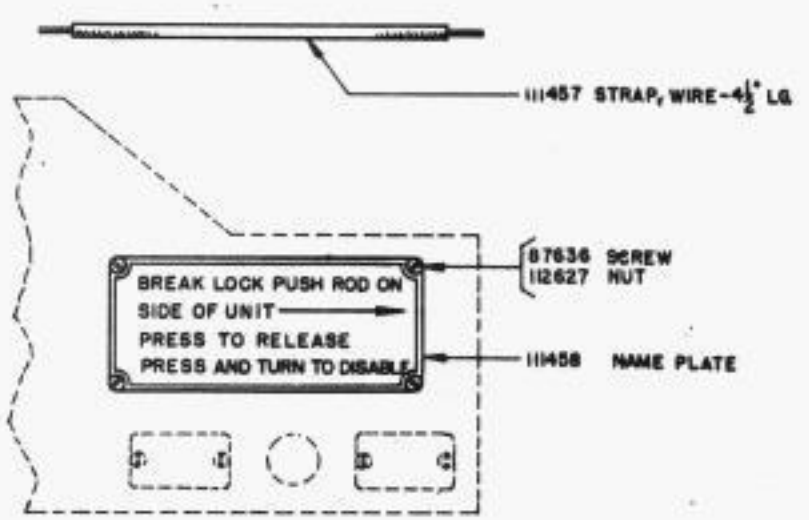
CHANGES AND ADDITIONS
BULLETIN 1041B, ISSUE 4; 1109B, ISSUE 1; AND 1117B, ISSUE 2.

PARTS-TRANSMITTER DISTRIBUTOR (XD)

THIS CORRECTION SHEET COVERS PARTS ORDERING INFORMATION FOR THE 111453 SET OF PARTS WHICH IS INCLUDED IN THE XD221 TRANSMITTER DISTRIBUTOR AND MAY BE ADDED TO OTHER MODEL 14 TRANSMITTER DISTRIBUTORS TO PROVIDE THE "BREAK LOCK" FEATURE.



BOTTOM VIEW
OF 111459 MOUNTING PLATE



PARTIAL FRONT VIEW
OF SNAP PANEL

111453 BREAK LOCK MECHANISM SET OF PARTS
(INCLUDES ALL PARTS LISTED ON THIS PAGE)

CHANGES AND ADDITIONS
BULLETIN NO. 1041 (ISSUE 4), 1095 (ISSUE 1) AND 1109 (ISSUE 1)
PARTS - TRANSMITTER-DISTRIBUTOR

On Transmitter-Distributors equipped with end-of-tape stop mechanism which were operated with spliced chadless tape, failures were encountered when the unit was equipped with the 97445 RETAINER LID (Figure 1) and the 97468 TAPE GUIDE PLATE (Figure 2).

To remedy this condition, the 111628 RETAINER LID (Figure 3) was designed so that the portion of the lid which holds the tape in the guide plate was widened to fully cover the tape and the tape pin clearance hole was decreased in size to reduce the possibility of the tape catching in the hole.

The 111627 TAPE GUIDE PLATE (Figure 4) was designed so that a portion of the shoulder was removed to give clearance for the 111628 RETAINER LID and the diameter of the hole for the tape contact pin was increased to give clearance for adjustment. The top edges of the slot in the plate for the five sensing pins were beveled to eliminate the possibility of tape catching on the edges of the slot.

All new standard equipment will have the 111628 retainer lid and 111627 tape guide plate.

OPERABLE COMBINATIONS

1. The 97445 RETAINER LID and 97468 TAPE GUIDE PLATE can be used together but it is not recommended when spliced chadless tape is to be used.
2. The 111628 RETAINER LID and 111627 TAPE GUIDE PLATE can be used together for either regular, chadless or spliced chadless tape.
3. The 97445 RETAINER LID and 111627 TAPE GUIDE PLATE can be used together but it is not recommended when spliced chadless tape is to be used.
4. The 111628 RETAINER LID and 97468 TAPE GUIDE PLATE cannot be used together.

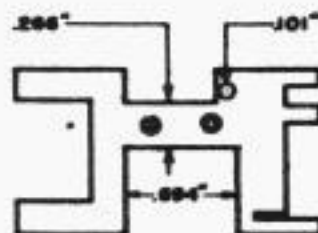
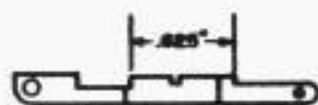


FIGURE 1

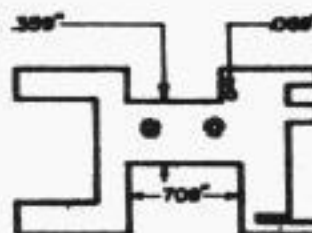
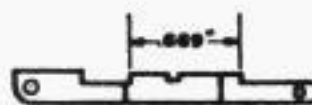


FIGURE 3

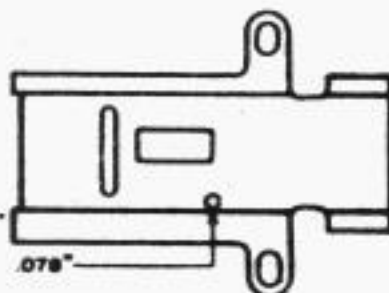


FIGURE 2

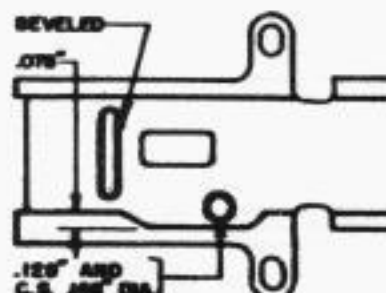


FIGURE 4

CHANGES AND ADDITIONS
TO THE FOLLOWING PARTS BULLETINS

1028	1064	1095	1107	1122	1133
1030	1072	1096	1108	1123	1137
1031	1079	1101	1109	1125	1141
1036	1080	1102	1110	1126	1143
1041	1082	1103	1116	1127	1144
1048	1083	1104	1117	1130	1145
1051	1084	1105	1119	1131	
1063	1087	1106	1120	1132	

Correction Sheet 650EE Issue 1 which covers parts ordering information for Teletype standard motors, center contact governors, governor brushes, and speed adjusting brackets associated with apparatus cataloged in the bulletins listed above, has been revised and reissued as Bulletin 1147B. Where any of the bulletins listed above refer to Correction Sheet 650EE, use Bulletin 1147B instead.

CHANGES IN TELETYPE
PART AND ASSEMBLY NUMBERS

In order to facilitate the use of automatic business machines in the conduct of its business, Teletype Corporation finds it necessary to eliminate all of its present part and assembly numbers containing dashes and/or letter prefixes. Such numbers have been replaced by others having 3 to 6 digits which may have a one-letter or a two-letter suffix.

The prefixes used with magnet, packing material, raw material such as wire in bulk, Teletype literature and wiring diagram numbers have been changed to suffixes, and in the case of bulletins and instruction manuals a suffix has been added to identify the items without reference to descriptions as shown in the following illustrations:

<u>Old Designation</u>	<u>New Designation</u>	<u>Description</u>
M121	121M	Magnet
PK10718	10718PK	Carton
RM31571	31571RM	Wire
121	121B	Bulletin
EE121	121EE	Correction Sheet
121	121MA	Instruction Manual
WD2186	2186WD	Wiring Diagram
S5037	5037S	Specification
S5333A	5333SA	Specification
S5333B	5333SB	Specification

All Teletype parts bulletins and price lists will eventually be changed to show the new as well as the old numbers for the convenience of Teletype Corporation customers.

When an item is ordered under an old number, the new number will be substituted for the old one and the old number will be shown immediately after the description of the items on all shipping papers and invoices.

Attached are two conversion lists of the active numbers involved; one with the old numbers and descriptions arranged numerically and the other with the new numbers arranged numerically. It is to be noted that some of the new numbers have already been used in Teletype parts catalogs.

Many numbers containing dashes cover parts considered obsolete and are not included in the attached lists. Occasionally one of these parts is reinstated, in which case the part will be shipped under the new number with the dash number shown immediately after the description. It is not intended to add such numbers to the correction sheet lists unless the part is to be commonly used.

OLD TO NEW NUMBER CONVERSION LIST

Old No.	New No.	Description	Old No.	New No.	Description	Old No.	New No.	Description
2-3	125100	Washer	33-88	125140	Screw	33-257	125193	Screw
4-4	125101	Stud	33-89	125141	Screw	33-264	125194	Screw
4-8	74879	Stud	33-98	125142	Screw	33-267	125182	Screw
4-11	125102	Stud	33-101	125143	Screw	33-270	87636	Screw
6-1	125103	Thumb Wheel	33-108	125144	Screw	33-271	125195	Screw
6-2	125104	Sleeve	33-110	110434	Screw	33-272	125004	Screw
23-8	125105	Terminal	33-111	49054	Screw	33-274	125196	Screw
25-21	125106	Stud	33-114	125146	Screw	33-275	126250	Spring
26-19	125107	Dowel	33-121	125147	Screw	33-276	125197	Screw
33-1	1157	Screw	33-123	125148	Screw	33-278	125199	Screw
33-2	125108	Screw	33-130	125149	Screw	33-280	125005	Screw
33-3	1158	Screw	33-132	125001	Screw	33-282	125200	Screw
33-4	1263	Screw	33-135	125150	Screw	33-283	125201	Screw
33-5	1159	Screw	33-141	125151	Screw	33-285	125202	Screw
33-6	1160	Screw	33-143	125152	Screw	33-289	125203	Screw
33-7	1161	Screw	33-151	125153	Screw	33-290	1299	Screw
33-8	125109	Screw	33-153	125154	Screw	33-296	125205	Screw
33-9	125110	Screw	33-156	1162	Screw	33-311	110742	Screw
33-10	1162	Screw	33-157	1174	Screw	33-333	125006	Screw
33-11	1163	Screw	33-158	125155	Screw	33-334	112622	Screw
33-12	125111	Screw	33-162	125156	Screw	33-335	112623	Screw
33-13	5740	Screw	33-163	125157	Screw	33-336	125206	Screw
33-14	1164	Screw	33-167	125158	Screw	33-337	112624	Screw
33-15	125112	Screw	33-168	125159	Screw	33-339	125207	Screw
33-16	1165	Screw	33-169	1175	Screw	33-340	125208	Screw
33-17	1166	Screw	33-170	112621	Screw	33-341	125209	Screw
33-18	125113	Screw	33-175	125160	Screw	33-344	125211	Screw
33-19	1167	Screw	33-176	125161	Screw	33-346	125212	Screw
33-21	112620	Screw	33-179	125002	Screw	33-347	112625	Screw
33-22	125114	Screw	33-180	125162	Screw	33-348	125213	Screw
33-23	125115	Screw	33-185	125163	Screw	33-349	125214	Screw
33-29	125116	Screw	33-193	125164	Screw	33-350	125215	Screw
33-32	125117	Screw	33-194	125165	Screw	33-356	125216	Screw
33-35	1168	Screw	33-195	1176	Screw	33-360	1181	Screw
33-36	125118	Screw	33-196	125166	Screw	33-362	125217	Screw
33-37	1169	Screw	33-197	125167	Screw	34-1	125218	Nut
33-38	125119	Screw	33-198	125168	Screw	34-2	3595	Nut
33-39	1222	Screw	33-202	125169	Screw	34-3	125219	Nut
33-41	125120	Screw	33-206	125003	Screw	34-4	112626	Nut
33-42	125121	Screw	33-207	125170	Screw	34-5	5475	Nut
33-43	125122	Screw	33-208	125171	Screw	34-6	3597	Nut
33-45	125123	Screw	33-209	125172	Screw	34-7	70073	Nut
33-49	1170	Screw	33-210	125173	Screw	34-8	3598	Nut
33-50	125124	Screw	33-211	125174	Screw	34-9	3599	Nut
33-51	125125	Screw	33-212	125175	Screw	34-10	125220	Nut
33-53	1171	Screw	33-213	125176	Screw	34-11	112627	Nut
33-54	1172	Screw	33-217	125177	Screw	34-12	55257	Nut
33-57	125126	Screw	33-224	125178	Screw	34-13	125221	Nut
33-58	125127	Screw	33-225	125179	Screw	34-14	5815	Nut
33-59	125128	Screw	33-227	125180	Screw	34-16	125222	Nut
33-60	125129	Screw	33-228	125181	Screw	34-19	125223	Nut
33-63	125130	Screw	33-234	1177	Screw	34-24	125224	Nut
33-64	1173	Screw	33-235	125183	Screw	34-25	3600	Nut
33-65	125131	Screw	33-236	125184	Screw	34-27	125225	Nut
33-69	1223	Screw	33-237	1178	Screw	34-28	3602	Nut
33-70	125132	Screw	33-238	1179	Screw	34-29	3603	Nut
33-72	125133	Screw	33-240	86850	Screw	34-35	125226	Nut
33-73	125134	Screw	33-241	125185	Screw	34-39	125227	Nut
33-74	125000	Screw	33-244	125186	Screw	34-41	125228	Nut
33-75	125135	Screw	33-245	125187	Bolt	34-48	125229	Nut
33-78	110741	Screw	33-250	125188	Screw	34-50	3604	Nut
33-79	125136	Screw	33-252	125189	Screw	34-51	1036	Nut
33-82	125137	Screw	33-253	125190	Screw	34-53	3605	Nut
33-85	125138	Screw	33-254	125191	Screw	34-54	125230	Nut
33-86	125139	Screw	33-255	125192	Screw	34-55	3606	Nut

Old No.	New No.	Description	Old No.	New No.	Description	Old No.	New No.	Description
34-56	110435	Nut	36-38	125275	Pin	100-79	125327	Screw
34-58	125231	Nut	36-39	125276	Pin	100-80	125328	Bushing
34-59	125009	Nut	36-45	125277	Pin	100-81	125329	Bushing
34-60	125232	Nut	36-51	125278	Pin	100-84	125330	Screw
34-61	125233	Nut	36-56	3614	Pin	100-85	3621	Terminal
34-62	125234	Nut	36-72	125279	Pin	100-88	9574	Screw
34-63	2723	Nut	36-73	125280	Pin	100-92	125331	Bushing
34-64	112628	Nut	36-80	125281	Pin	100-93	125332	Terminal
34-66	125235	Nut	36-85	125282	Pin	100-96	110441	Shim
35-1	112629	Spring	36-103	125283	Pin	100-97	3623	Washer
35-2	112630	Spring	36-104	125284	Pin	100-100	125333	Pole Piece
35-8	112631	Spring	36-105	125285	Rivet	100-101	125334	Pole Piece
35-13	125236	Spring	36-106	125286	Pin	100-106	125335	Spring
35-16	125237	Spring	36-109	125287	Pin	100-108	3624	Washer
35-23	125238	Spring	36-110	125288	Pin	100-109	125336	Spring Assem.
35-24	125239	Spring	36-113	125289	Pin	100-110	125337	Spring
35-26	125240	Spring	36-114	125290	Pin	100-111	125338	Spring
35-27	125241	Spring	36-120	125269	Pin	100-112	125339	Terminal
35-28	125242	Spring	36-124	125291	Pin	100-113	125340	Eyelet
35-33	112632	Spring	36-131	125092	Dowel	100-120	125341	Bushing
35-34	125243	Spring	36-132	125292	Pin	100-145	125343	Strip
35-40	125244	Spring	36-134	125293	Pin	100-148	125344	Terminal
35-42	110436	Spring	36-136	125294	Pin	100-151	125345	Spool
35-43	125245	Spring	36-137	3614	Pin	100-152	125346	Screw
35-47	125246	Spring	36-139	125295	Pin	100-153	125347	Screw
35-48	125247	Spring	36-146	110439	Pin	100-159	125348	Terminal
35-52	4702	Spring	36-147	125296	Pin	100-167	125349	Terminal
35-53	125248	Spring	36-150	125297	Pin	100-173	125350	Contact Point
35-54	112633	Spring	36-151	125298	Pin	100-178	125351	Terminal Block
35-58	3608	Spring	36-152	3615	Pin	100-179	125352	Terminal
35-66	125249	Spring	36-153	110440	Pin	100-187	125353	Terminal
35-68	125250	Spring	36-154	125299	Pin	100-188	125354	Terminal Block
35-69	125251	Spring	36-164	125300	Pin	100-217	125355	Relay Spool
35-70	110437	Spring	36-165	125301	Pin	100-218	125356	Terminal
35-71	125252	Spring	36-170	125302	Pin	100-219	125357	Terminal
35-72	125253	Spring	36-172	125303	Pin	100-220	125358	Terminal
35-78	125254	Spring	36-173	3616	Pin	100-227	125359	Washer
35-80	125255	Spring	36-174	125304	Rivet	100-228	125360	Washer
35-84	125256	Spring	43-10	125306	Stop	100-234	125361	Washer
35-85	125257	Spring	43-12	71047	Washer	100-235	125362	Washer
35-86	4703	Spring	46-3	125307	Washer	100-246	125363	Screw
35-87	4708	Spring	47-2	125308	Buffer Assem.	100-253	125364	Spring
35-88	110438	Spring	47-4	125309	Buffer	100-254	125365	Spring
35-89	112634	Spring	47-5	125310	Screw	100-255	125366	Bushing
35-99	125258	Spring	52-4	125099	Washer	100-256	125367	Washer
35-101	125259	Spring	52-5	125311	Buffer	100-257	125368	Washer
35-104	125260	Spring	54-3	125312	Washer	103-27	125011	Washer
35-111	125261	Spring	61-7	3618	Insulator	103-75	125369	Resistor
35-116	125262	Spring	61-9	125313	Washer	103-77	125370	Resistor
35-123	125263	Spring	61-10	125314	Screw	103-102	125371	Screw
35-124	125264	Spring	61-12	125315	Washer	103-151	125372	Pinion
35-125	125265	Spring	61-21	125316	Screw	112-7	125373	Screw
35-126	3610	Spring	61-24	125010	Washer	112-8	125374	Screw
35-129	3611	Spring	61-25	125317	Insulator	112-64	125375	Screw
35-131	125266	Spring	80-1	125318	Tube	120-20	125376	Washer
35-132	125267	Spring	80-2	125319	Terminal	122-5	125379	Post
35-133	125268	Spring	80-3	125320	Washer	122-11	125380	Chute
35-134	4705	Spring	80-4	125321	Pole Piece	122-12	125381	Stud
35-137	112635	Spring	80-5	125322	Magnet Core	122-18	125382	Cable
35-140	112636	Spring	100-70	125323	Magnet Core	S-122-19	125383	Bracket
36-19	125270	Pin	100-71	125324	Magnet Core	S-122-20	125384	Bracket
36-23	125271	Pin	100-72	125325	Terminal	S-122-21	125385	Bracket
36-24	125272	Pin	100-73	125326	Washer	S-122-22	125386	Bracket
36-28	125273	Pin	100-74	5816	Washer	S-122-23	125387	Bracket
36-35	125274	Pin	100-75	3620	Washer	S-122-24	125388	Bracket

Old No.	New No.	Description	Old No.	New No.	Description	Old No.	New No.	Description
122-25	125389	Bracket	122-133	125450	Post	122-381	125505	Lever
122-26	125390	Washer	S-122-134	125451	Bell Crank	122-382	125506	Bail
122-27	125391	Shaft	122-135	125452	Washer	122-383	125507	Key Lever
122-28	125392	Stop	S-122-136	125453	Bracket	122-384	112640	Die Block
122-29	125393	Pin	122-137	125454	Gear Assem.	122-386	125508	Bail Assem.
122-35	125394	Plate	122-139	125455	Pin	122-387	125509	Cover
122-36	125395	Pin	122-140	125456	Stud	122-388	125510	Hinge
S-122-37	125396	Guide	122-143	125457	Connector	122-389	125511	Pawl Assem.
S-122-38	125397	Bar	122-146	125458	Bearing	122-390	125512	Contact Assem.
S-122-39	3625	Shaft	122-147	125459	Bushing	122-392	125509BC	Cover
S-122-40	125398	Bracket	W-122-152	125798	Key Assem.	122-396	125514	Hammer Assem.
122-41	125399	Roller	122-192	125461	Cup	122-397	125515	Hinge
122-42	125400	Gear	122-193	125462	Washer	122-399	125516	"Blank" Comb
122-43	125401	Gear	122-194	125463	Disk	122-400	125517	Comb
122-46	125402	Post	122-195	125464	Disk	122-401	125518	Comb
122-48	125012	Socket	122-196	125465	Bezel	122-402	125519	Comb
122-49	125403	Fitting	S-122-234	3627	Bar	122-403	125520	Comb
122-50	125404	Lamp	122-241	125466	Roller	122-404	125521	Comb
122-51	125405	Bell Crank	122-242	125467	Lever Assem.	122-405	125522	Comb
122-52	125406	Bell Crank	122-244	125468	Post	122-406	125523	Comb
122-53	125407	Bell Crank	122-245	125469	Pawl	122-407	125524	Comb
122-54	125408	Bell Crank	122-246	125470	Post	122-408	125525	Comb
122-55	125409	Bell Crank	122-247	125471	Disk Assem.	122-409	125526	Comb
122-56	125410	Bushings	122-249	125472	Stud	122-410	125527	Comb
122-57	125411	Bushings	122-250	125473	Spool Assem.	122-411	125528	Comb
122-58	125412	Stud	122-251	125474	Tube	122-412	125529	Comb
122-60	125413	Ratchet	122-252	125475	Terminal End	122-413	125530	Comb
122-61	125414	Post	122-253	125476	Magnet Spool	122-414	125531	Comb
122-62	125415	Pin	122-254	125477	Core	122-415	125532	Comb
122-63	125416	Post	122-257	125478	Plunger	122-416	125533	Comb
122-65	125417	Stud	122-259	125479	Disk	122-417	125534	Comb
122-67	125418	Post	122-260	125480	Hub	122-418	125535	Comb
122-68	3626	Foot	122-275	125481	Bracket	122-419	125536	Comb
S-122-69	125419	Stop	122-276	125013	Plate	122-420	125537	Comb
122-80	125420	Guide	122-290	125482	Terminal End	122-421	125538	Comb
122-84	125421	Pin	122-337	125014	Washer	122-422	125539	Comb
122-86	125422	Pin	122-345	119959BC	Container Assem.	122-423	125540	Comb
122-88	125423	Solenoid Assem.	122-346	125484	Plate	122-424	125541	Comb
122-89	125424	Bracket	122-347	125485	Guard	122-425	125542	Comb
122-94	125425	Terminal Board	122-348	126247	Bracket	122-426	125543	Comb
122-95	125426	Insulator	122-349	125486	Pivot	122-427	125544	Comb
122-97	125427	Bushing	122-350	125487	Tape Reel	122-428	125545	Comb
122-100	125428	Plate	122-352	805208C	Cover	122-429	125546	Comb
122-101	125429	Head	122-354	126248	Shelf	122-430	125547	Comb
122-102	125430	Post	122-355	126249	Bracket	122-431	125548	Paper Keytop
122-106	125431G	Bracket Assem.	122-356	805238C	Cover	122-432	125549	Paper Keytop
122-106G	125432	Bracket Assem.	122-357	125488	Spacer	122-433	125550	Paper Keytop
122-107	125433	Bracket	122-358	125489	Bracket	122-434	125551	Paper Keytop
122-108	125434	Bushing	122-359	125490	Ratchet	122-435	125552	Paper Keytop
122-111	125435	Screw	122-363	125491	Pin	122-436	125553	Stud
122-112	125436	Strip	122-364	125492	Bracket	122-437	125554	Spring
122-113	9575	Screw	122-365	125493	Punch Pin	122-438	125555	Head
122-115	125437	Contact Point	122-366	125494	Punch Pin	122-439	125556	Spring Eye
122-116	125438	Lever Assem.	122-367)	110902	Plate	122-444	1199608C	Plate
122-117	125439	Lever	122-368)			122-445	119957	Guard Assem.
122-118	125440	Terminal	122-369	125495	Guide Plate	122-447	125558	Spring
122-119	125441	Contact Assem.	122-370	125496	Guide Plate	122-450	125559	Keys
122-120	125442	Spring	122-371	125497	Die Plate	122-451	125560	Lever Assem.
122-121	125443	Contact	122-373	125498	Punch Hammer	122-452	125561	Lever Assem.
122-124	125444	Spring	122-374	125499	Punch Bar	122-453	125562	Cable Assem.
122-126	125445	Insulator	122-375	125500	Punch Bar	122-454	125563	Cable
122-127	125446	Stud	122-376	125501	Punch Bar	122-457	125564	Loop Blank
122-128	125447	Bracket Assem.	122-377	125502	Punch Bar	122-459	125565	Paper Keytop
122-129	125448	Bracket	122-378	125503	Punch Bar	122-460	125566	Paper Keytop
S-122-130	125449	Lever Assem.	122-380	125504	Lever	122-461	125567	Paper Keytop

Old No.	New No.	Description	Old No.	New No.	Description	Old No.	New No.	Description
122-462	125568	Paper Keytop	122-567	125631	Hammer Assem.	122-708	125693	Paper Keytop
122-463	125569	Paper Keytop	122-570	1204998C	Base	122-709	125694	Paper Keytop
122-464	125570	Paper Keytop	122-571	125633	Guide Plate	122-710	125605	Paper Keytop
122-465	125571	Paper Keytop	122-572	125634	Guide Plate	123-7	3628	Bushing
122-466	125572	Paper Keytop	122-573	125635	Die Plate	123-8	71444	Bushing
122-467	125573	Paper Keytop	122-574)	110901	Plate	123-10	3629	Collar
122-468	125574	Paper Keytop	122-367)			123-36	3630	Bushing
122-469	125575	Paper Keytop	122-575	111019	Block	123-37	125696	Post
122-470	125576	Paper Keytop	122-576	125636	Plate Assem.	123-55	125697	Contact Pin
122-471	125577	Paper Keytop	122-577	125637	Ratchet Assem.	123-123	125698	Roller
122-472	125578	Paper Keytop	122-580	125638	Paper Keytop	123-135	125699	Pin
122-473	125579	Paper Keytop	122-581	125639	Paper Keytop	123-154	125700	Hub
122-474	125580	Paper Keytop	122-582	125640	Paper Keytop	123-158	125701	Hub
122-475	125581	Paper Keytop	122-583	125641	Bushing	123-159	125702	Dowel
122-476	125582	Paper Keytop	122-586	125642	Bracket Assem.	123-163	3632	Terminal
122-477	125583	Paper Keytop	122-589	125643	Washer	123-164	3633	Bushing
122-478	125584	Paper Keytop	122-590	125644	Handle	123-165	3634	Bushing
122-479	125585	Paper Keytop	122-592	125645	Guide	123-166	3635	Washer
122-480	125586	Paper Keytop	122-593	125646	Plate	123-167	3636	Washer
122-481	125587	Paper Keytop	122-594	125647	Plate	123-194	3637	Ball Bearing
122-482	125588	Paper Keytop	122-596	125648	Key Lever	123-244	125015	Washer
122-483	125589	Paper Keytop	122-597	125649	Key Lever	123-308	125703	Terminal
122-484	125590	Paper Keytop	122-598	125650	Key Lever	123-314	125704	Rivet
122-485	125591	Paper Keytop	122-599	125651	Key Lever	123-342	125705	Oil Cup
122-487	125592	Paper Keytop	122-600	125652	Key Lever	123-343	125706	Wick
122-490	1199578C	Guard	122-601	125653	Key Lever	123-357	125707	Terminal
122-498	125510	Hinge	122-602	125654	Key Lever	123-362	125708	Washer
122-511	125594	Guide Assem.	122-603	125655	Key Lever	123-364	125709	Hinge-Butt
122-526	125595	Roller	122-604	125656	Key Lever	123-412	125710	Ring - Blank
122-528	125596	Key Lever Assem.	122-605	125657	Key Lever	123-447	125711	Disk
122-529	125597	Key Lever Assem.	122-606	125658	Key Lever	125-9	3638	Condenser
122-530	125598	Key Lever Assem.	122-607	125659	Key Lever	125-23	125712	Clamp
122-531	125599	Key Lever Assem.	122-608	125660	Key Lever	125-55	125713	Card Holder
122-532	125600	Key Lever Assem.	122-609	125661	Key Lever	125-161	125714	Resistor
122-533	125601	Key Lever Assem.	122-610	125662	Key Lever	125-169	125715	Fuse
122-534	125602	Key Lever Assem.	122-611	125663	Key Lever	125-176	125716	Switch Box
122-535	125603	Key Lever Assem.	122-612	125664	Key Lever	125-184	125717	Fuse Box
122-536	125604	Key Lever Assem.	122-613	125665	Key Lever	125-194	125718	Resistor
122-537	125605	Key Lever Assem.	122-614	125666	Key Lever	125-197	125097	Nipple
122-538	125606	Key Lever Assem.	122-615	125667	Key Lever	125-198	125098	Nut
122-539	125607	Key Lever Assem.	122-616	125668	Key Lever	125-208	125719	Nipple
122-540	125608	Key Lever Assem.	122-617	125669	Key Lever	125-209	125720	Nut
122-541	125609	Key Lever Assem.	122-618	125670	Key Lever	125-211	125721	Clamp
122-542	125610	Key Lever Assem.	122-619	125671	Key Lever	125-217	126253	Receptacle
122-543	125611	Key Lever Assem.	122-620	125672	Key Lever	125-221	125091	Receptacle
122-544	125612	Key Lever Assem.	122-621	125673	Key Lever	125-237	125723	Fuse
122-545	125613	Key Lever Assem.	122-622	125674	Key Lever	125-238	125724	Fuse
122-546	125614	Key Lever Assem.	122-623	125675	Key Lever	125-239	125725	Fuse
122-547	125615	Key Lever Assem.	122-624	125676	Key Lever	125-240	125483	Key
122-548	125616	Key Lever Assem.	122-625	125677	Key Lever	125-242	125726	Resistor
122-549	125617	Key Lever Assem.	122-626	125678	Key Lever	125-269	125727	Handle
122-550	125618	Key Lever Assem.	122-627	125679	Key Lever	125-270	125728	Hinge
122-551	125619	Key Lever Assem.	122-628	125680	Key Lever	125-276	125729	Switch Box
122-552	125620	Key Lever Assem.	122-629	125681	Key Lever	126-11	125730	Bushing
122-553	125621	Key Lever Assem.	122-630	125682	Comb	F-126-24	125377	Pinion
122-554	125622	Key Lever Assem.	122-697	125683	Bushing	126-64	125731	Cam
122-555	125623	Key Lever Assem.	122-698	125684	Lever Assem.	126-92	125732	Washer
122-556	125624	Key Lever Assem.	122-699	125685	Stud	126-93	125733	Washer
122-557	125198	Key Lever Assem.	122-700	125686	Lever Assem.	126-95	125734	Armature
122-558	125625	Key Lever Assem.	122-702	125687	Bushing	126-107	125735	Screw
122-559	125626	Key Lever Assem.	122-703	125688	Bracket Assem.	126-108	125736	Brush Holder
122-562	84695	Guard	122-704	125689	Paper Keytop	126-111	125737	Coil
122-563	125628	Guard Clip	122-705	125690	Paper Keytop	126-114	125738	Washer
122-564	125629	Guard Clip	122-706	125691	Paper Keytop	126-118	125739	Bushing
122-565	125630	Guard	122-707	125692	Paper Keytop	126-123	125016	Grommet

Old No.	New No.	Description	Old No.	New No.	Description	Old No.	New No.	Description
126-126	125740	Brush	200-1132	125792	Insulator	300-177	125854	Terminal
126-127	125741	Spring	200-1134	125793	Pin	300-178	125855	Terminal
138-1	125742	Tuning Fork	200-1135	9576	Contact Spring	300-179	125856	Terminal Block
138-2	125743	Tuning Fork	200-1136	125794	Spring Blank	300-180	125857	Terminal Block
138-3	125744	Tuning Fork	200-1137	9577	Spring	300-181	125858	Feed Pawl
138-4	125745	Tuning Fork	200-1138	125795	Spring Blank	300-200	125859	Bracket
138-5	114756	Tuning Fork	200-1139	3647	Insulator	300-201	125860	End Bracket
138-6	125747	Tuning Fork	200-1175	125796	Spring	300-301	5556	Top Plate
138-7	125748	Tuning Fork	200-1176	125797	Spring	300-302	125861	Feed Wheel
138-11	125749	Tuning Fork	200-1177	126251	Insulator	300-303	125862	Bearing
138-20	125751	Tuning Fork	200-1178	125799	Spring	300-304	125863	Bracket
138-22	110442	Screw Driver	200-1179	125800	Stiff	300-306	125864	Plate
138-23	125752	Wrench	200-1345	125801	Valve	300-307	125865	Plate
138-24	125753	Wrench	200-1348	125802	Washer	300-308	125866	Strip
138-25	125754	Wrench	200-1703	125803	Hub	300-312	125867	Bracket
138-26	125755	Wrench	200-2002	125804	Strip	300-314	125868	Detent Assem.
138-27	125756	Wrench	200-2210	125805	Post	300-315	125869	Detent Lever
138-28	125757	Wrench	200-2212	3649	Washer	300-316	125870	Detent Roller
138-30	125758	File	200-2217	125806	Post	300-319	125871	Bracket
138-32	125759	Wrench	200-2800	125807	Spindle	300-320	125872	Shaft
138-33	125760	Wrench	200-2802	125808	Pivot	300-322	125873	Latch
138-34	125761	Wrench	300-3	125809	Cable	300-400	125874	End Bracket
138-35	125762	Wrench	300-103	125810	Armature	300-501	125875	Base
138-36	125763	Wrench	300-104	125812	Armature	300-502	125876	Switch
138-38	125764	Screw Driver Blade	300-105	125813	Bearing	300-503	125877	Strip
138-43	126242	Gauge	300-106	125814	Guide	300-504	125878	Terminal
138-44	126243	Gauge	300-107	125815	Contact Assem.	300-505	4706	Washer
138-49	126244	Gauge	300-108	125816	Mounting Bar	300-506	4707	Washer
138-52	125765	Wrench	300-109	125817	Mounting Bar	300-507	125879	Base
138-55	110443	Scale	300-110	125818	Insulator	300-508	125880	Armature
138-58	110444	Scale	300-111	125819	Plate	300-509	125881	Washer
138-67	125766	Handle	300-113	125820	Disk	300-510	125882	Terminal
138-68	125767	Shank	300-114	125821	Lever Blank	300-511	125883	Armature
138-69	125768	Shank	300-115	125822	Lever #1	300-512	125884	Spring
138-74	125769	Shank	300-116	125823	Lever #2	300-513	125885	Armature Handle
138-100	88993	Burnisher	300-117	125824	Lever #3	300-515	125886	Terminal
138-119	125771	Handle	300-118	125825	Lever #4	300-516	125887	Base
138-120	125772	Shank	300-119	125826	Lever #5	300-517	125888	Decalcomania
138-122	125773	Handle	300-120	125827	Lever	300-518	125889	Base
138-123	125774	Shank	300-121	125828	Shaft	300-519	125890	Armature
138-125	126245	Gauge	300-128	125829	Lever	300-601	125891	Bracket
138-126	126246	Gauge	300-130	125830	Armature	300-602	125892	Shaft
138-127	125775	Wrench	300-131	125831	Cont. Spring	300-603	125893	Shaft
138-128	125776	Wrench	300-132	125832	Cont. Spring	300-604	125894	Lever
138-129	125777	Wrench	300-137	125833	Lever Guide	300-605	125895	Bracket
138-130	125778	Shank	300-138	125834	Spool	300-606	125896	Shaft
138-133	125779	Wrench	300-139	125935	Tube	300-607	125897	Bracket
138-134	125780	Handle	300-140	125836	Magnet Core	300-608	125898	Pawl
138-135	125781	Shank	300-142	125837	Magnet Yoke	300-609	125899	Post
138-136	125782	Wrench Grip	300-143	125838	Plunger	300-700	125900	Panel
138-137	110445	Tool	300-144	125839	Bracket	300-701	125557	Panel
138-139	125783	Stone	300-145	125840	Rod	300-702	125901	Stud
138-141	114758	Tuning Fork	300-146	125841	Lever	400-2	125902	Rod
200-20	3639	Washer	300-147	125842	Button	400-3	125903	Brush
200-133	125785	Spring	300-150	125843	Plate	400-6	125904	Lamp
200-137	125786	Spring	300-152	125844	Adj. Lever	400-102	125905	Strip
200-139	125787	Button	300-153	125845	Yoke	400-203	125906	Gear
200-148	125788	Post	300-154	125846	Cont. Point	400-206	125907	Washer
200-153	3640	Washer	300-155	125847	Plate	400-207	125908	Pinion
200-214	125789	Shim	300-170	125848	Cont. Lever	400-209	125909	Shaft
200-704	3642	Washer	300-171	125849	Cont. Lever	400-210	125910	Shaft
200-705	125790	Bushing	300-172	125850	Cont. Lever	400-211	125911	Wheel
200-1028	125791	Washer	300-173	125851	Cont. Lever	400-212	125912	Segment Ring
200-1031	6033	Washer	300-174	125852	Cont. Lever	400-215	125913	Collector Ring
200-1032	3646	Washer	300-175	125853	Cont. Lever	400-218	125914	Terminal

Old No.	New No.	Description	Old No.	New No.	Description	Old No.	New No.	Description
400-221	125915	Disk	700-68	73202	Washer	55083-12	126107	"T" Bar
400-222	125916	Range Scale	700-71	3650	Washer	55083-13	126108	"T" Bar
400-302	125917	Bushing	700-75	125750	Screw	55083-14	126109	"T" Bar
400-402	125918	Bushing	700-76	125770	Terminal	55083-15	126110	"T" Bar
400-509	125342	Sleeve	1000-203	125923	Washer	55083-16	126111	"T" Bar
400-510	125210	Shaft	1000-252	110446	Nut	55083-17	126112	"T" Bar
400-513	125919	Washer	W-1098	70793	Spacer	55083-18	126113	"T" Bar
400-519	125920	Sleeve	W-1238	126234	Pin	55083-20	126114	"T" Bar
400-801	125921	Gear	W-1241	126235	Collar	55083-21	126115	"T" Bar
400-1002	125922	Decalcomania	W-1958	71681	Spool	55084-A2	126156	Bar
400-1404	125924	Lever	W-2328	72669	Clip	55084-A4	126157	Bar
500-4	125925	Switch	W-2657	126236	Spring	55084-A6	126158	Bar
500-6	125926	Connector	W-6095	84990	Screw	55084-A8	126159	Bar
500-7	125927	Locknut	W-6104	126237	Nut	55084-A10	126160	Bar
500-19	125928	Washer	W-9277	126238	Handle	55084-A12	126161	Bar
500-80	125929	Resistor	W-9278	126239	Journal	55084-A14	126162	Bar
500-96	125930	Washer	W-9279-A	126240	Crank	55084-A16	126163	Bar
500-99	125931	Switch	W-9337-F	89883	Nut	55084-A18	126164	Bar
500-104	125932	Spring	W-9470	86341	Screw	55084-A20	126165	Bar
500-105	125933	Plate	W-9542	74878	Paper Drag	55084-B1	126166	Bar
500-112	125934	Spring	W-10074	110743	Washer	55084-B3	126167	Bar
500-205	125935	Spring	W-10076	3646	Washer	55084-B5	126168	Bar
500-308	125936	Pin	W-10077	45815	Washer	55084-B7	126169	Bar
500-309	125937	Pin	W-10080	3640	Washer	55084-B9	126170	Bar
500-310	125938	Chain	W-10082	4814	Washer	55084-B11	126171	Bar
500-311	125939	Pin "S" Hook	W-10083	3639	Washer	55084-B13	126172	Bar
500-403	125940	Block	W-10086	126241	Washer	55084-B15	126173	Bar
500-404	125941	Socket	W-10088	70071	Washer	55084-B17	126174	Bar
500-406	125942	Fuse	W-10090	70072	Washer	74274-1	126232	Button
500-600	125943	Box	55083-1	126096	"T" Bar			
500-703	125944	Foot	55083-2	126097	"T" Bar			
500-1008	125945	Switch	55083-3	126098	"T" Bar			
W-666	126233	Pivot	55083-4	126099	"T" Bar			
W-667	74877	Spring	55083-5	126100	"T" Bar			
W-669	117313	Spindle	55083-6	126101	"T" Bar			
700-51	125946	Screw	55083-7	126102	"T" Bar			
700-55	125947	Screw	55083-8	126103	"T" Bar			
700-59	125948	Screw	55083-9	126104	"T" Bar			
700-60	125949	Screw	55083-10	126105	"T" Bar			
700-65	125722	Screw	55083-11	126106	"T" Bar			

NEW TO OLD NUMBER CONVERSION LIST

New No.	Old No.	New No.	Old No.	New No.	Old No.	New No.	Old No.	New No.	Old No.
1036	34-51	3642	200-704	112622	33-334	125127	33-58	125198	122-557
1157	33-1	3646	200-1032	112623	33-335	125128	33-59	125199	33-278
1158	33-3	3646	W-10076	112624	33-337	125129	33-60	125200	33-282
1159	33-5	3647	200-1139	112625	33-347	125130	33-63	125201	33-283
1160	33-6	3649	200-2212	112626	34-4	125131	33-65	125202	33-285
1161	33-7	3650	700-71	112627	34-11	125132	33-70	125203	33-289
1162	33-10	4702	35-52	112628	34-64	125133	33-72	125205	33-296
	33-156	4703	35-86	112629	35-1	125134	33-73	125206	33-336
1163	33-11	4705	35-134	112630	35-2	125135	33-75	125207	33-339
1164	33-14	4706	300-505	112631	35-8	125136	33-79	125208	33-340
1165	33-16	4707	300-506	112632	35-33	125137	33-82	125209	33-341
1166	33-17	4708	35-87	112633	35-54	125138	33-85	125210	400-510
1167	33-19	4814	W-10082	112634	35-89	125139	33-86	125211	33-344
1168	33-35	5475	34-5	112635	35-137	125140	33-88	125212	33-346
1169	33-37	5556	300-301	112636	35-140	125141	33-89	125213	33-348
1170	33-49	5740	33-13	112640	122-384	125142	33-98	125214	33-349
1171	33-53	5815	34-14	114756	138-5	125143	33-101	125215	33-350
1172	33-54	5816	100-74	114758	138-141	125144	33-108	125216	33-356
1173	33-64	6033	200-1031	117313	W-669	125146	33-114	125217	33-362
1174	33-157	9574	100-88	119957BC	122-490	125147	33-121	125218	34-1
1175	33-169	9575	122-113	119959BC	122-345	125148	33-123	125219	34-3
1176	33-195	9576	200-1135	119960BC	122-444	125149	33-130	125220	34-10
1177	33-234	9577	200-1137	120499BC	122-570	125150	33-135	125221	34-13
1178	33-237	45815	W-10077	125000	33-74	125151	33-141	125222	34-16
1179	33-238	49054	33-111	125001	33-132	125152	33-143	125223	34-19
1181	33-360	55257	34-12	125002	33-179	125153	33-151	125224	34-24
1222	33-39	70071	W-10088	125003	33-206	125154	33-153	125225	34-27
1223	33-69	70072	W-10090	125004	33-272	125155	33-158	125226	34-35
1263	33-4	70073	34-7	125005	33-280	125156	33-162	125227	34-39
1299	33-290	70793	W-1098	125006	33-333	125157	33-163	125228	34-41
2723	34-63	71047	43-12	125009	34-59	125158	33-167	125229	34-48
3595	34-2	71444	123-8	125010	61-24	125159	33-168	125230	34-54
3597	34-6	71681	W-1958	125011	103-27	125160	33-175	125231	34-58
3598	34-8	72669	W-2328	125012	122-48	125161	33-176	125232	34-60
3599	34-9	73202	700-68	125013	122-276	125162	33-180	125233	34-61
3600	34-25	74877	W-667	125014	122-337	125163	33-185	125234	34-62
3602	34-28	74878	W-9542	125015	123-244	125164	33-193	125235	34-66
3603	34-29	74879	4-8	125016	126-123	125165	33-194	125236	35-13
3604	34-50	80520BC	122-352	125091	125-221	125166	33-196	125237	35-16
3605	34-53	80523BC	122-356	125092	36-131	125167	33-197	125238	35-23
3606	34-55	84695	122-562	125097	125-197	125168	33-198	125239	35-24
3608	35-58	84990	W-6095	125098	125-198	125169	33-202	125240	35-26
3610	35-126	86341	W-9470	125099	52-4	125170	33-207	125241	35-27
3611	35-129	86850	33-240	125100	2-3	125171	33-208	125242	35-28
3614	36-56	87636	33-270	125101	4-4	125172	33-209	125243	35-34
3614	36-137	88993	138-100	125102	4-11	125173	33-210	125244	35-40
3615	36-152	89883	W-9337-P	125103	6-1	125174	33-211	125245	35-43
3616	36-173	110434	33-110	125104	6-2	125175	33-212	125246	35-47
3618	61-7	110435	34-56	125105	23-8	125176	33-213	125247	35-48
3620	100-75	110436	35-42	125106	25-21	125177	33-217	125248	35-53
3621	100-85	110437	35-70	125107	26-19	125178	33-224	125249	35-66
3623	100-97	110438	35-88	125108	33-2	125179	33-225	125250	35-68
3624	100-108	110439	36-146	125109	33-8	125180	33-227	125251	35-69
3625	S-122-39	110440	36-153	125110	33-9	125181	33-228	125252	35-71
3626	122-68	110441	100-96	125111	33-12	125182	33-267	125253	35-72
3627	S-122-234	110442	138-22	125112	33-15	125183	33-235	125254	35-78
3628	123-7	110443	138-55	125113	33-18	125184	33-236	125255	35-80
3629	123-10	110444	138-58	125114	33-22	125185	33-241	125256	35-84
3630	123-36	110445	138-137	125115	33-23	125186	33-244	125257	35-85
3632	123-163	110446	1000-252	125116	33-29	125187	33-245	125258	35-99
3633	123-164	110741	33-78	125117	33-32	125188	33-250	125259	35-101
3634	123-165	110742	33-311	125118	33-36	125189	33-252	125260	35-104
3635	123-166	110743	W-10074	125119	33-38	125190	33-253	125261	35-111
3636	123-167	110901	(122-574	125120	33-41	125191	33-254	125262	35-116
3637	123-194		(122-367	125121	33-42	125192	33-255	125263	35-123
3638	125-9	110902	(122-367	125122	33-43	125193	33-257	125264	35-124
3639	200-20		(122-368	125123	33-45	125194	33-264	125265	35-125
3639	W-10083	111019	122-575	125124	33-50	125195	33-271	125266	35-131
3640	200-153	112620	33-21	125125	33-51	125196	33-274	125267	35-132
3640	W-10080	112621	33-170	125126	33-57	125197	33-276	125268	35-133

New No.	Old No.	New No.	Old No.	New No.	Old No.	New No.	Old No.	New No.	Old No.
125269	36-120	125343	100-145	125417	122-65	125491	122-363	125564	122-457
125270	36-19	125344	100-148	125418	122-67	125492	122-364	125565	122-459
125271	36-23	125345	100-151	125419	S-122-69	125493	122-365	125566	122-460
125272	36-24	125346	100-152	125420	122-80	125494	122-366	125567	122-461
125273	36-28	125347	100-153	125421	122-84	125495	122-369	125568	122-462
125274	36-35	125348	100-159	125422	122-86	125496	122-370	125569	122-463
125275	36-38	125349	100-167	125423	122-88	125497	122-371	125570	122-464
125276	36-39	125350	100-173	125424	122-89	125498	122-373	125571	122-465
125277	36-45	125351	100-178	125425	122-94	125499	122-374	125572	122-466
125278	36-51	125352	100-179	125426	122-95	125500	122-375	125573	122-467
125279	36-72	125353	100-187	125427	122-97	125501	122-376	125574	122-468
125280	36-73	125354	100-188	125428	122-100	125502	122-377	125575	122-469
125281	36-80	125355	100-217	125429	122-101	125503	122-378	125576	122-470
125282	36-85	125356	100-218	125430	122-102	125504	122-380	125577	122-471
125283	36-103	125357	100-219	125431	122-106	125505	122-381	125578	122-472
125284	36-104	125358	100-220	125432	122-106G	125506	122-382	125579	122-473
125285	36-105	125359	100-227	125433	122-107	125507	122-383	125580	122-474
125286	36-106	125360	100-228	125434	122-108	125508	122-386	125581	122-475
125287	36-109	125361	100-234	125435	122-111	125509	122-387	125582	122-476
125288	36-110	125362	100-235	125436	122-112	125509BC	122-392	125583	122-477
125289	36-113	125363	100-246	125437	122-115	125510	122-388	125584	122-478
125290	36-114	125364	100-253	125438	122-116	125511	122-389	125585	122-479
125291	36-124	125365	100-254	125439	122-117	125512	122-390	125586	122-480
125292	36-132	125366	100-255	125440	122-118	125514	122-396	125587	122-481
125293	36-134	125367	100-256	125441	122-119	125515	122-397	125588	122-482
125294	36-136	125368	100-257	125442	122-120	125516	122-399	125589	122-483
125295	36-139	125369	103-75	125443	122-121	125517	122-400	125590	122-484
125296	36-147	125370	103-77	125444	122-124	125518	122-401	125591	122-485
125297	36-150	125371	103-102	125445	122-126	125519	122-402	125592	122-487
125298	36-151	125372	103-151	125446	122-127	125520	122-403	125594	122-511
125299	36-154	125373	112-7	125447	122-128	125521	122-404	125595	122-526
125300	36-164	125374	112-8	125448	122-129	125522	122-405	125596	122-528
125301	36-165	125375	112-64	125449	S-122-130	125523	122-406	125597	122-529
125302	36-170	125376	120-20	125450	122-133	125524	122-407	125598	122-530
125303	36-172	125377	F-126-24	125451	S-122-134	125525	122-408	125599	122-531
125304	36-174	125379	122-5	125452	122-135	125526	122-409	125600	122-532
125306	43-10	125380	122-11	125453	S-122-136	125527	122-410	125601	122-533
125307	46-3	125381	122-12	125454	122-137	125528	122-411	125602	122-534
125308	47-2	125382	122-18	125455	122-139	125529	122-412	125603	122-535
125309	47-4	125383	S-122-19	125456	122-140	125530	122-413	125604	122-536
125310	47-5	125384	S-122-20	125457	122-143	125531	122-414	125605	122-537
125311	52-5	125385	S-122-21	125458	122-146	125532	122-415	125606	122-538
125312	54-3	125386	S-122-22	125459	122-147	125533	122-416	125607	122-539
125313	61-9	125387	S-122-23	125461	122-192	125534	122-417	125608	122-540
125314	61-10	125388	S-122-24	125462	122-193	125535	122-418	125609	122-541
125315	61-12	125389	122-25	125463	122-194	125536	122-419	125610	122-542
125316	61-21	125390	122-26	125464	122-195	125537	122-420	125611	122-543
125317	61-25	125391	122-27	125465	122-196	125538	122-421	125612	122-544
125318	80-1	125392	122-28	125466	122-241	125539	122-422	125613	122-545
125319	80-2	125393	122-29	125467	122-242	125540	122-423	125614	122-546
125320	80-3	125394	122-35	125468	122-244	125541	122-424	125615	122-547
125321	80-4	125395	122-36	125469	122-245	125542	122-425	125616	122-548
125322	80-5	125396	S-122-37	125470	122-246	125543	122-426	125617	122-549
125323	100-70	125397	S-122-38	125471	122-247	125544	122-427	125618	122-550
125324	100-71	125398	S-122-40	125472	122-249	125545	122-428	125619	122-551
125325	100-72	125399	122-41	125473	122-250	125546	122-429	125620	122-552
125326	100-73	125400	122-42	125474	122-251	125547	122-430	125621	122-553
125327	100-79	125401	122-43	125475	122-252	125548	122-431	125622	122-554
125328	100-80	125402	122-46	125476	122-253	125549	122-432	125623	122-555
125329	100-81	125403	122-49	125477	122-254	125550	122-433	125624	122-556
125330	100-84	125404	122-50	125478	122-257	125551	122-434	125625	122-558
125331	100-92	125405	122-51	125479	122-259	125552	122-435	125626	122-559
125332	100-93	125406	122-52	125480	122-260	125553	122-436	125628	122-563
125333	100-100	125407	122-53	125481	122-275	125554	122-437	125629	122-564
125334	100-101	125408	122-54	125482	122-290	125555	122-438	125630	122-565
125335	100-106	125409	122-55	125483	125-240	125556	122-439	125631	122-567
125336	100-109	125410	122-56	125484	122-346	125557	300-701	125633	122-571
125337	100-110	125411	122-57	125485	122-347	125558	122-447	125634	122-572
125338	100-111	125412	122-58	125486	122-349	125559	122-450	125635	122-573
125339	100-112	125413	122-60	125487	122-350	125560	122-451	125636	122-576
125340	100-113	125414	122-61	125488	122-357	125561	122-452	125637	122-577
125341	100-120	125415	122-62	125489	122-358	125562	122-453	125638	122-580
125342	400-509	125416	122-63	125490	122-359	125563	122-454	125639	122-581

New No.	Old No.	New No.	Old No.	New No.	Old No.	New No.	Old No.	New No.	Old No.
125640	122-582	125714	125-161	125789	200-214	125863	300-304	125936	500-308
125641	122-583	125715	125-169	125790	200-705	125864	300-306	125937	500-309
125642	122-586	125716	125-176	125791	200-1028	125865	300-307	125938	500-310
125643	122-589	125717	125-184	125792	200-1132	125866	300-308	125939	500-311
125644	122-590	125718	125-194	125793	200-1134	125867	300-312	125940	500-403
125645	122-592	125719	125-208	125794	200-1136	125868	300-314	125941	500-404
125646	122-593	125720	125-209	125795	200-1138	125869	300-315	125942	500-406
125647	122-594	125721	125-211	125796	200-1175	125870	300-316	125943	500-600
125648	122-596	125722	700-65	125797	200-1176	125871	300-319	125944	500-703
125649	122-597	125723	125-237	125798	W-122-152	125872	300-320	125945	500-1008
125650	122-598	125724	125-238	125799	200-1178	125873	300-322	125946	700-51
125651	122-599	125725	125-239	125800	200-1179	125874	300-400	125947	700-55
125652	122-600	125726	125-242	125801	200-1345	125875	300-501	125948	700-59
125653	122-601	125727	125-269	125802	200-1348	125876	300-502	125949	700-60
125654	122-602	125728	125-270	125803	200-1703	125877	300-503	126096	55083-1
125655	122-603	125729	125-276	125804	200-2002	125878	300-504	126097	55083-2
125656	122-604	125730	126-11	125805	200-2210	125879	300-507	126098	55083-3
125657	122-605	125731	126-64	125806	200-2217	125880	300-508	126099	55083-4
125658	122-606	125732	126-92	125807	200-2800	125881	300-509	126100	55083-5
125659	122-607	125733	126-93	125808	200-2802	125882	300-510	126101	55083-6
125660	122-608	125734	126-95	125809	300-3	125883	300-511	126102	55083-7
125661	122-609	125735	126-107	125810	300-103	125884	300-512	126103	55083-8
125662	122-610	125736	126-108	125812	300-104	125885	300-513	126104	55083-9
125663	122-611	125737	126-111	125813	300-105	125886	300-515	126105	55083-10
125664	122-612	125738	126-114	125814	300-106	125887	300-516	126106	55083-11
125665	122-613	125739	126-118	125815	300-107	125888	300-517	126107	55083-12
125666	122-614	125740	126-126	125816	300-108	125889	300-518	126108	55083-13
125667	122-615	125741	126-127	125817	300-109	125890	300-519	126109	55083-14
125668	122-616	125742	138-1	125818	300-110	125891	300-601	126110	55083-15
125669	122-617	125743	138-2	125819	300-111	125892	300-602	126111	55083-16
125670	122-618	125744	138-3	125820	300-113	125893	300-603	126112	55083-17
125671	122-619	125745	138-4	125821	300-114	125894	300-604	126113	55083-18
125672	122-620	125747	138-6	125822	300-115	125895	300-605	126114	55083-20
125673	122-621	125748	138-7	125823	300-116	125896	300-606	126115	55083-21
125674	122-622	125749	138-9	125824	300-117	125897	300-607	126156	55084-A2
125675	122-623	125750	700-75	125825	300-118	125898	300-608	126157	55084-A4
125676	122-624	125751	138-20	125826	300-119	125899	300-609	126158	55084-A6
125677	122-625	125752	138-23	125827	300-120	125900	300-700	126159	55084-A8
125678	122-626	125753	138-24	125828	300-121	125901	300-702	126160	55084-A10
125679	122-627	125754	138-25	125829	300-128	125902	400-2	126161	55084-A12
125680	122-628	125755	138-26	125830	300-130	125903	400-3	126162	55084-A14
125681	122-629	125756	138-27	125831	300-131	125904	400-6	126163	55084-A16
125682	122-630	125757	138-28	125832	300-132	125905	400-102	126164	55084-A18
125683	122-697	125758	138-30	125833	300-137	125906	400-203	126165	55084-A20
125684	122-698	125759	138-32	125834	300-138	125907	400-206	126166	55084-B1
125685	122-699	125760	138-33	125835	300-139	125908	400-207	126167	55084-B3
125686	122-700	125761	138-34	125836	300-140	125909	400-209	126168	55084-B5
125687	122-702	125762	138-35	125837	300-142	125910	400-210	126169	55084-B7
125688	122-703	125763	138-36	125838	300-143	125911	400-211	126170	55084-B9
125689	122-704	125764	138-38	125839	300-144	125912	400-212	126171	55084-B11
125690	122-705	125765	138-52	125840	300-145	125913	400-215	126172	55084-B13
125691	122-706	125766	138-67	125841	300-146	125914	400-218	126173	55084-B15
125692	122-707	125767	138-68	125842	300-147	125915	400-221	126174	55084-B17
125693	122-708	125768	138-69	125843	300-150	125916	400-222	126232	74273-1
125694	122-709	125769	138-74	125844	300-152	125917	400-302	126233	W-666
125695	122-710	125770	700-76	125845	300-153	125918	400-402	126234	W-1238
125696	123-37	125771	138-119	125846	300-154	125919	400-513	126235	W-1241
125698	123-123	125772	138-120	125847	300-155	125920	400-519	126237	W-6104
125699	123-135	125773	138-122	125848	300-170	125921	400-801	126238	W-9277
125700	123-154	125774	138-123	125849	300-171	125922	400-1002	126239	W-9278
125701	123-158	125775	138-127	125850	300-172	125923	1000-203	126240	W-9279-A
125702	123-159	125776	138-128	125851	300-173	125924	400-1404	126241	W-10086
125703	123-308	125777	138-129	125852	300-174	125925	500-4	126242	138-43
125704	123-314	125778	138-130	125853	300-175	125926	500-6	126243	138-44
125705	123-342	125779	138-133	125854	300-177	125927	500-7	126244	138-49
125706	123-343	125780	138-134	125855	300-178	125928	500-19	126245	138-125
125707	123-357	125781	138-135	125856	300-179	125929	500-80	126246	138-126
125708	123-362	125782	138-136	125857	300-180	125930	500-96	126247	122-348
125709	123-364	125783	138-139	125858	300-181	125931	500-99	126248	122-354
125710	123-412	125785	200-133	125859	300-200	125932	500-104	126249	122-355
125711	123-447	125786	200-137	125860	300-201	125933	500-105	126250	33-275
125712	125-23	125787	200-139	125861	300-302	125934	500-112	126251	200-1177
125713	125-55	125788	200-148	125862	300-303	125935	500-205	126253	125-217
								126336	W-2657

CHANGES IN PARTS BULLETINS
TRANSMITTER DISTRIBUTORS

1041B, Issue 4, Page 5
1095B, Issue 1, Page 5

1109B, Issue 1, Page 5
1117B, Issue 2, Page 17

In order to provide clearance between the heads of the two adjacent mounting screws for the tape feed roll bearing and the tape lever guide a 151659 screw (6-40 x 1/2") with a head .062" high replaces the 125155 (33-158) screw (6-40 x 1/2") with a head .125" high.

*

*

*

CHANGES AND ADDITIONS
TO
BULLETIN NO. 1041B (ISSUE 4), 1095B (ISSUE 1) AND 1109B (ISSUE 1)
PARTS - TRANSMITTER - DISTRIBUTOR

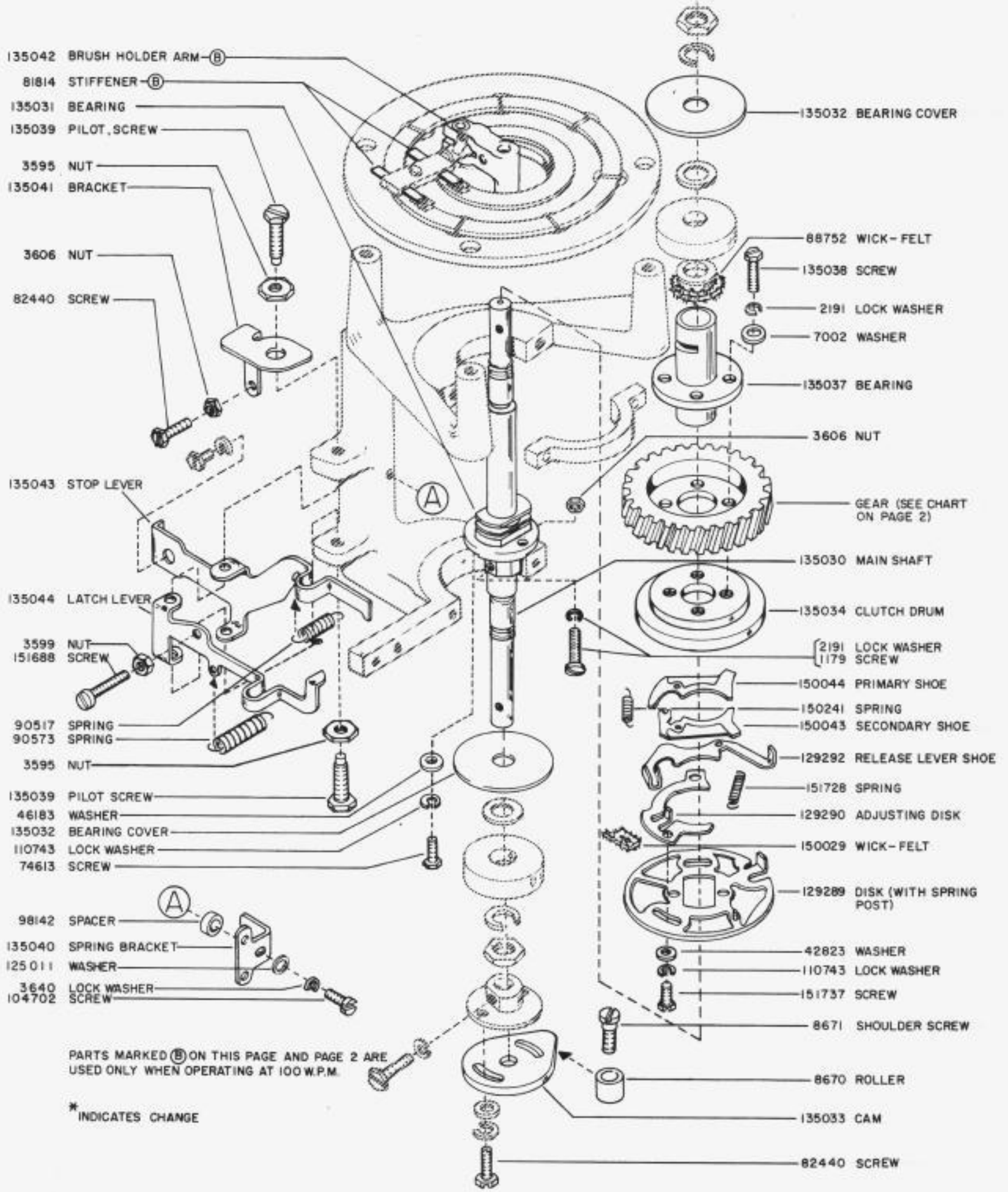
In order to permit reliable grounding between the transmitter distributor and the transmitter distributor mounting plate, the 77066, 102068, 77127 and 102070 rails (painted) have been superseded by a 102067 rail-right and a 102069 rail-left (unpainted).

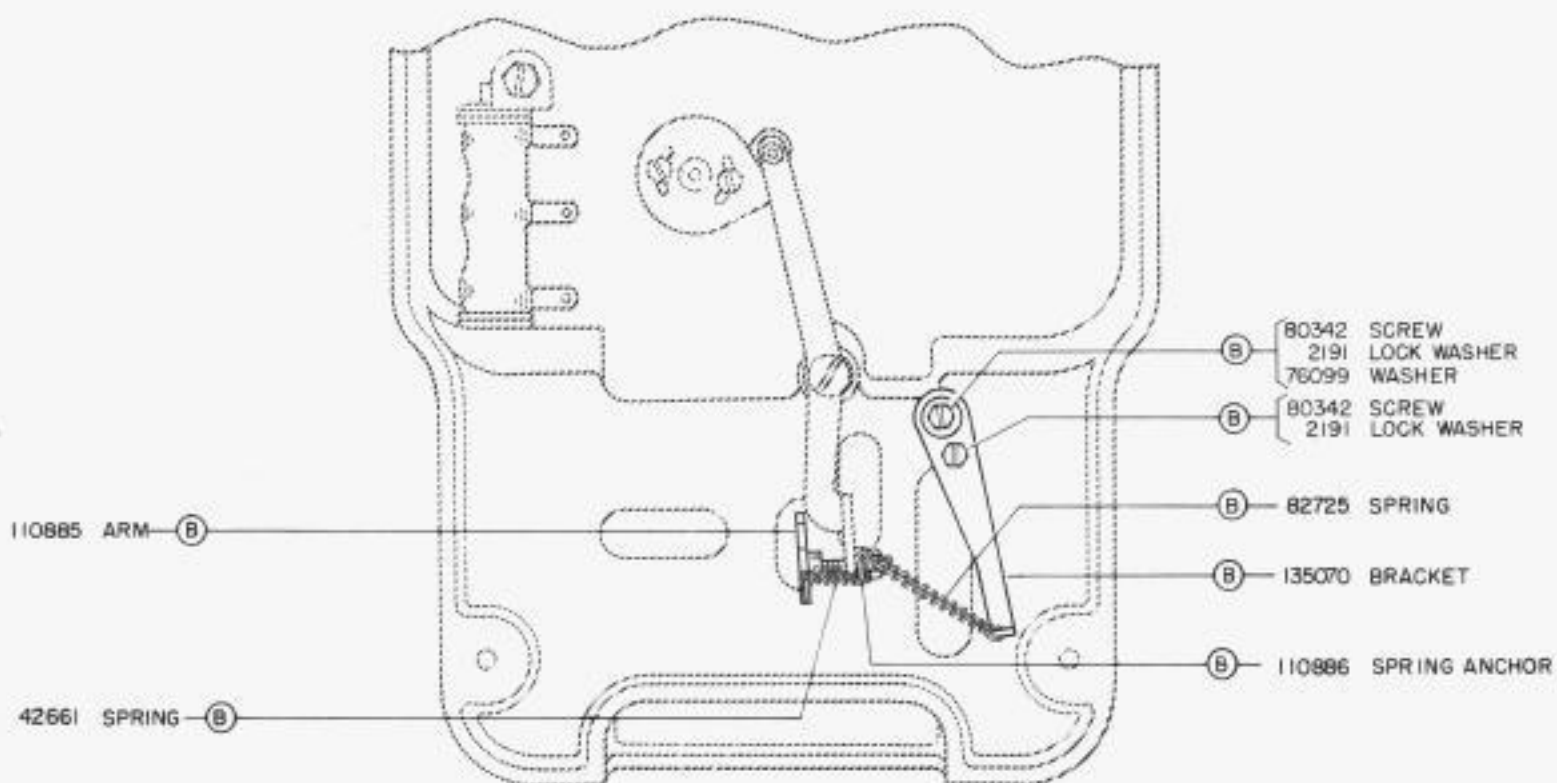
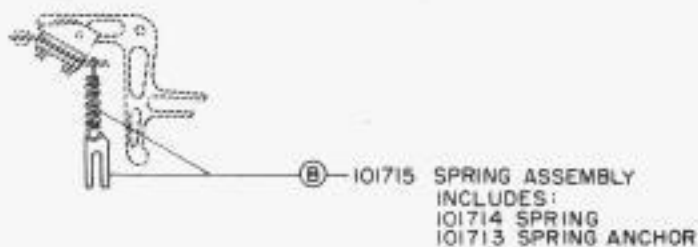
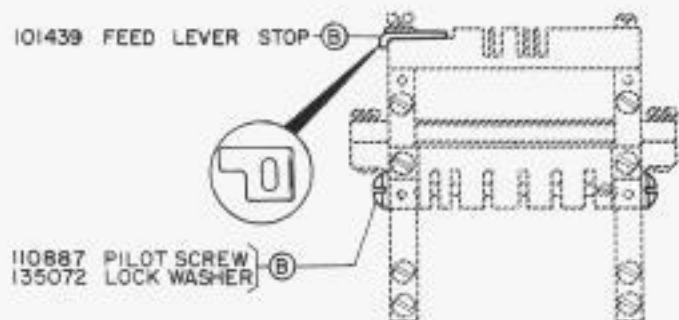
New and old style rails are interchangeable. However, when painted rails are used, it may be necessary to provide a wire connection through an unused slip connection to ground the unit to the base.

* * * *

CHANGES AND ADDITIONS
TO BULLETINS 1041B (ISSUE 4), 1095B (ISSUE 1), 1109B (ISSUE 1) AND
1125B (ISSUE 1) PARTS TRANSMITTER DISTRIBUTOR (MODEL 14)

This correction sheet covers parts ordering information for transmitter distributors equipped with the all steel internal expansion clutch in place of the felt washer friction clutch.





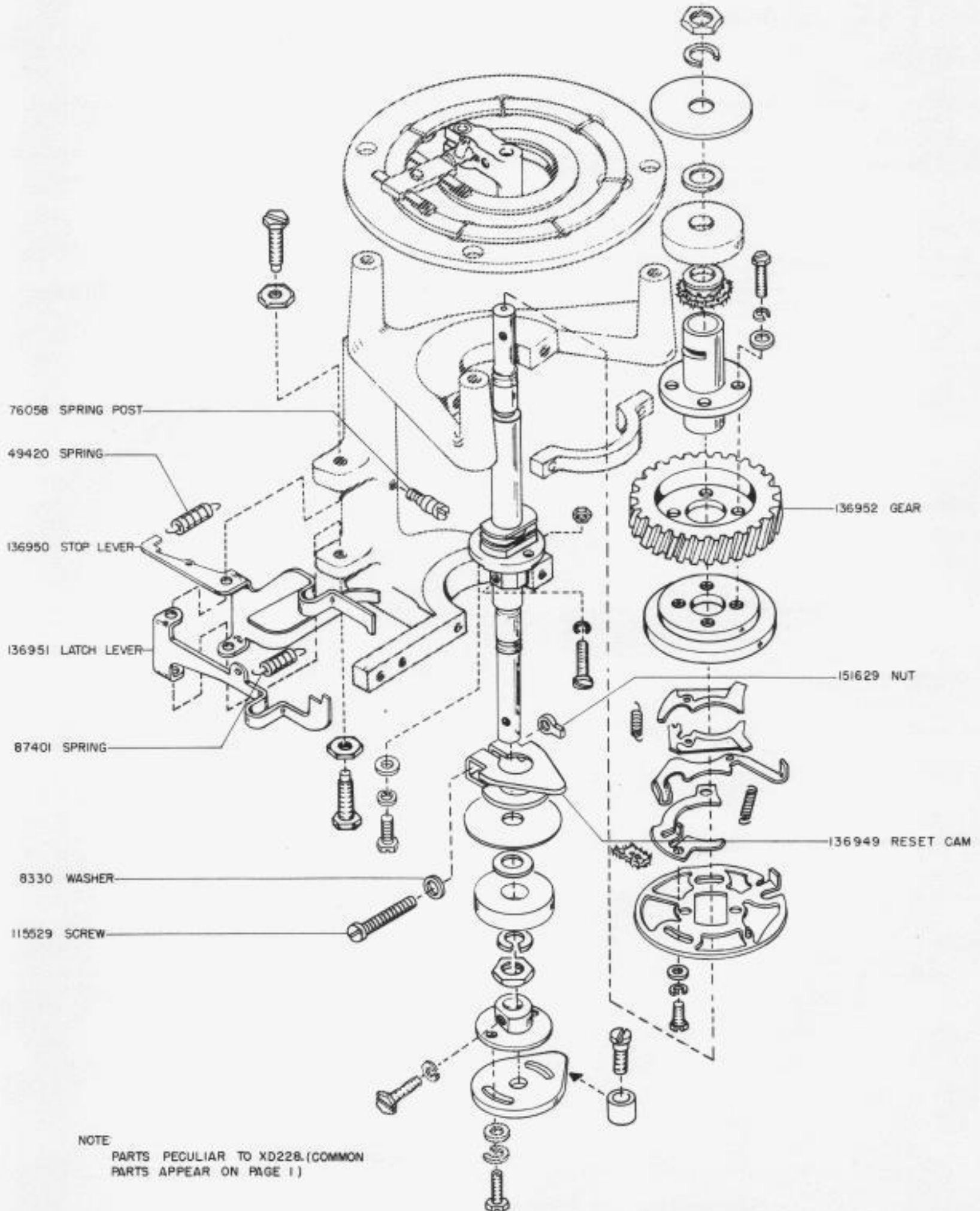
GEAR CHART
(WITH ASSOCIATED MOTOR AND PINION)

O.P.M.	W.P.M.	TYPE OF MOTOR	GEAR		PINION MATE (SEE NOTE)
			PART NO.	TEETH	
317	50	60 CYCLE A.C. SYNC.	135062	34	87371 (6T)
317	50	D.C. SHUNT & A.C. SERIES	135069	53	123717 (8T)
368	60	60 CYCLE A.C. SYNC.	135036	44	80166 (9T)
368	60	D.C. SHUNT & A.C. SERIES	135068	40	77034 (7T)
368	60	50 CYCLE A.C. SYNC.	135067	53	91131 (13T)
390	65	60 CYCLE A.C. SYNC.	136583	60	136582 (13T)
396	66	60 CYCLE A.C. SYNC.	135065	50	116767 (11T)
396	66	D.C. SHUNT & A.C. SERIES	135066	53	123711 (10T)
428	713	60 CYCLE A.C. SYNC.	136580	42	136579 (10T)
428	713	D.C. SHUNT & A.C. SERIES	*136585	49	121086 (10T)
460	75	60 CYCLE A.C. SYNC.	136525	47	91285 (12T)
460	75	D.C. SHUNT & A.C. SERIES	135064	32	91283 (7T)
(B) 600	100	60 CYCLE A.C. SYNC.	135035	36	110883 (12T)
(B) 600	100	D.C. SHUNT & A.C. SERIES	135061	35	77025 (10T)

(B) SEE PAGE 1 FOR EXPLANATION

NOTE:

THE MOTOR PINION DOES NOT CHANGE WHEN CONVERTING TO THE ALL STEEL INTERNAL EXPANSION CLUTCH EXCEPT AT 100 W.P.M. OPERATION, OR WHEN A SPEED CHANGE IS INVOLVED.



NOTE
PARTS PECULIAR TO XD22B. (COMMON
PARTS APPEAR ON PAGE 1)

CHANGES IN TELETYPE PARTS BULLETINS

1028B, Issue 2	1073B, Issue 1	1109B, Issue 1	1131B, Issue 1
1030B, Issue 2	1074B, Issue 2	1110B, Issue 2	1138B, Issue 1
1031B, Issue 3	1080B, Issue 1	1116B, Issue 1	1141B, Issue 1
1041B, Issue 4	1087B, Issue 2	1117B, Issue 2	1142B, Issue 1
1063B, Issue 2	1088B, Issue 2	1121B, Issue 1	1143B, Issue 3
1064B, Issue 2	1100B, Issue 2	1125B, Issue 1	1144B, Issue 1
1068B, Issue 1	1107B, Issue 1	1126B, Issue 1	1150B, Issue 1
1072B, Issue 2	1108B, Issue 2	1130B, Issue 1	1151B, Issue 1

This correction sheet has been revised to include only those bulletins pertinent to the subject matter.

To provide improved performance with respect to maintenance of friction clutches and the selector end of main shafts, the following graphite impregnated felt washers and wicks replace the standard felt washers and wicks as indicated below:

Old Style	Description	Graphite Impregnated
6861	Washer	122741
72883	Washer	122743
74085	Washer	122744
74800	Washer	122745
76084	Washer	*76084
77019	Washer	122747
105045	Wick	122752
113952	Washer	122748

*Retains Old Number.

The 91265 cam sleeve (holding magnet) has been replaced by a 122754 cam sleeve.

The 115232 cam sleeve for the sequential selector has been replaced by a 129674 cam sleeve.

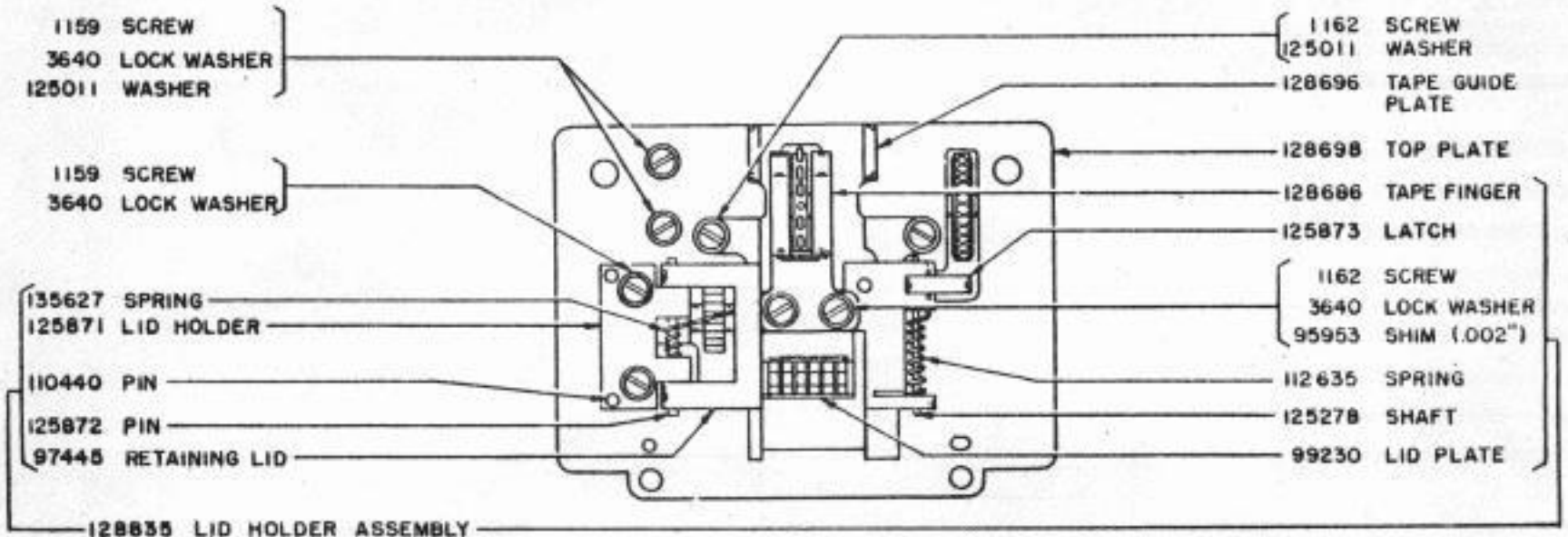
NOTE: The new cam sleeves have a graphite loaded bushing.

New and old style parts are interchangeable.

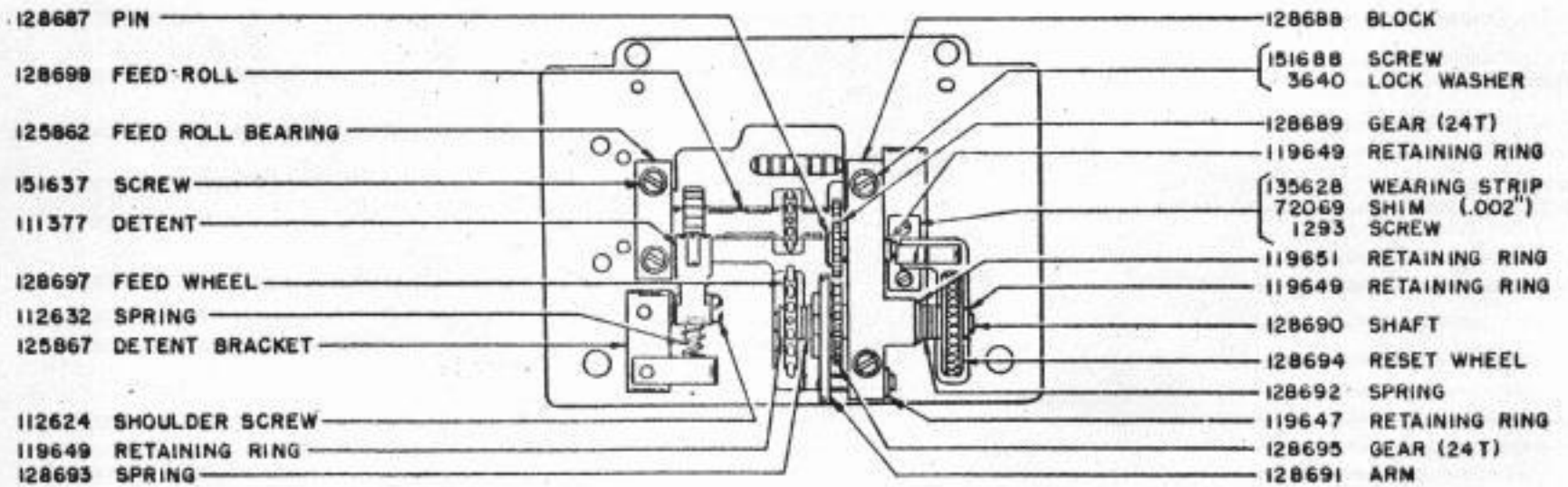
* * *

*CHANGES AND ADDITIONS TO
BULLETIN 1041B, ISSUE 4 BULLETIN 1109B, ISSUE 1
BULLETIN 1095B, ISSUE 1 BULLETIN 1125B, ISSUE 1
PARTS -14 TRANSMITTER DISTRIBUTOR

This correction sheet covers parts ordering information for the 128700 TORN FEED HOLE TAPE STOP ASSEMBLY for use on a Model 14 Transmitter Distributor equipped with sixth pin or end of tape stop contacts.



TOP VIEW



BOTTOM VIEW

128700 TORN FEED HOLE TAPE STOP ASSEMBLY

* INDICATES CHANGE

BULLETIN NO. 1041
ISSUE 4
MARCH, 1942

TELETYPE

PRINTING TELEGRAPH SYSTEMS

BULLETIN NO. 1041

PARTS
TRANSMITTER DISTRIBUTOR

TELETYPE
CORPORATION
SUBSIDIARY OF
Western Electric Company
CHICAGO, U.S.A.

BULLETIN NO. 1041
ISSUE 4
MARCH, 1942

TELETYPE

PRINTING TELEGRAPH SYSTEMS

PARTS
TRANSMITTER DISTRIBUTOR



77130 GUARD-FOR 7485 END RING GOVERNOR
86811 GUARD-FOR 80352 CENTER CONTACT GOVERNOR

77077 BASE-BLACK GLOSS
83910 BASE-WALNUT

8539 SCREW
2191 LOCK WASHER
7001 WASHER
7002 WASHER

8539 SCREW
2191 LOCK WASHER
7002 WASHER

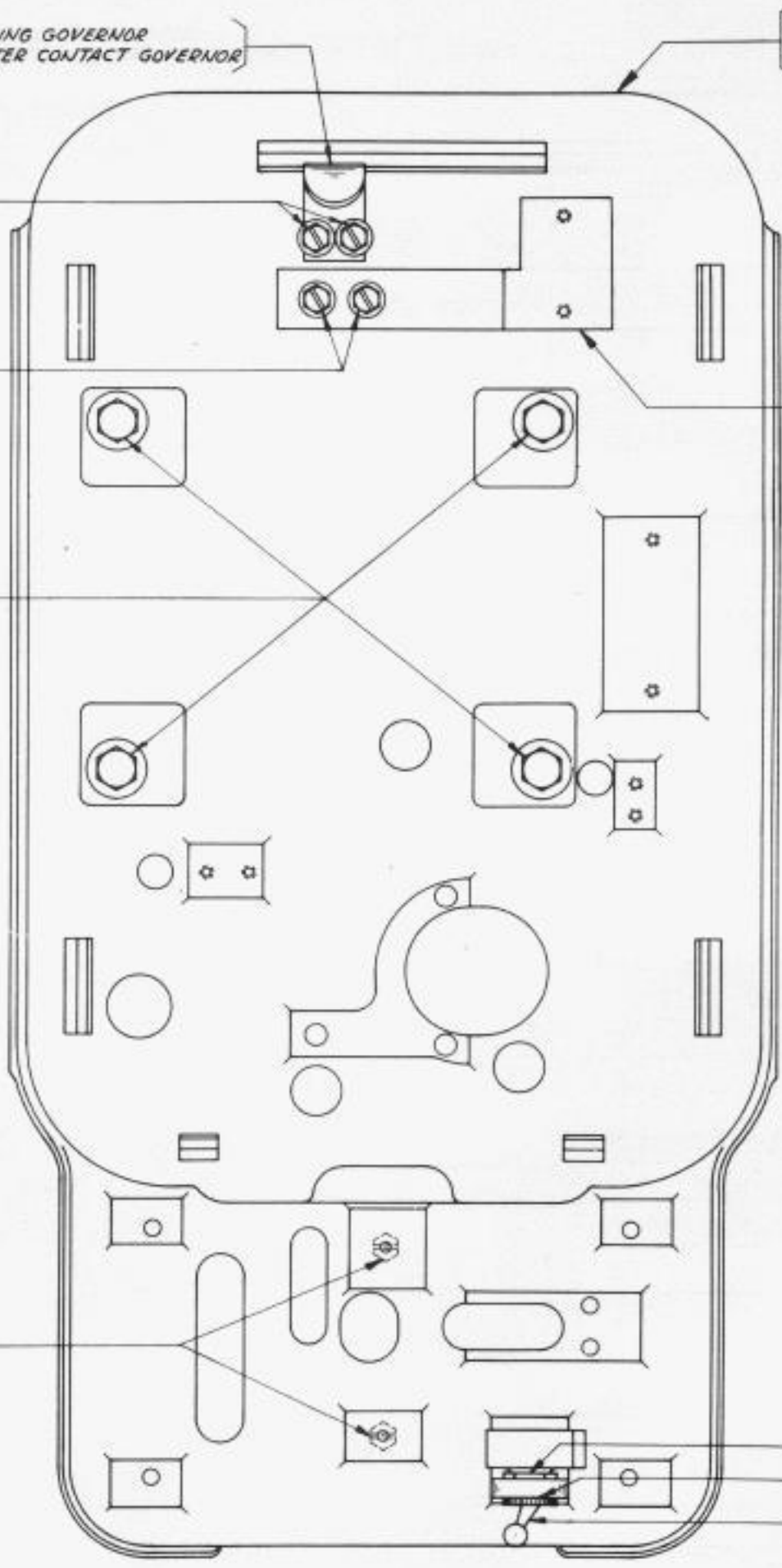
6035 SCREW
2846 WASHER

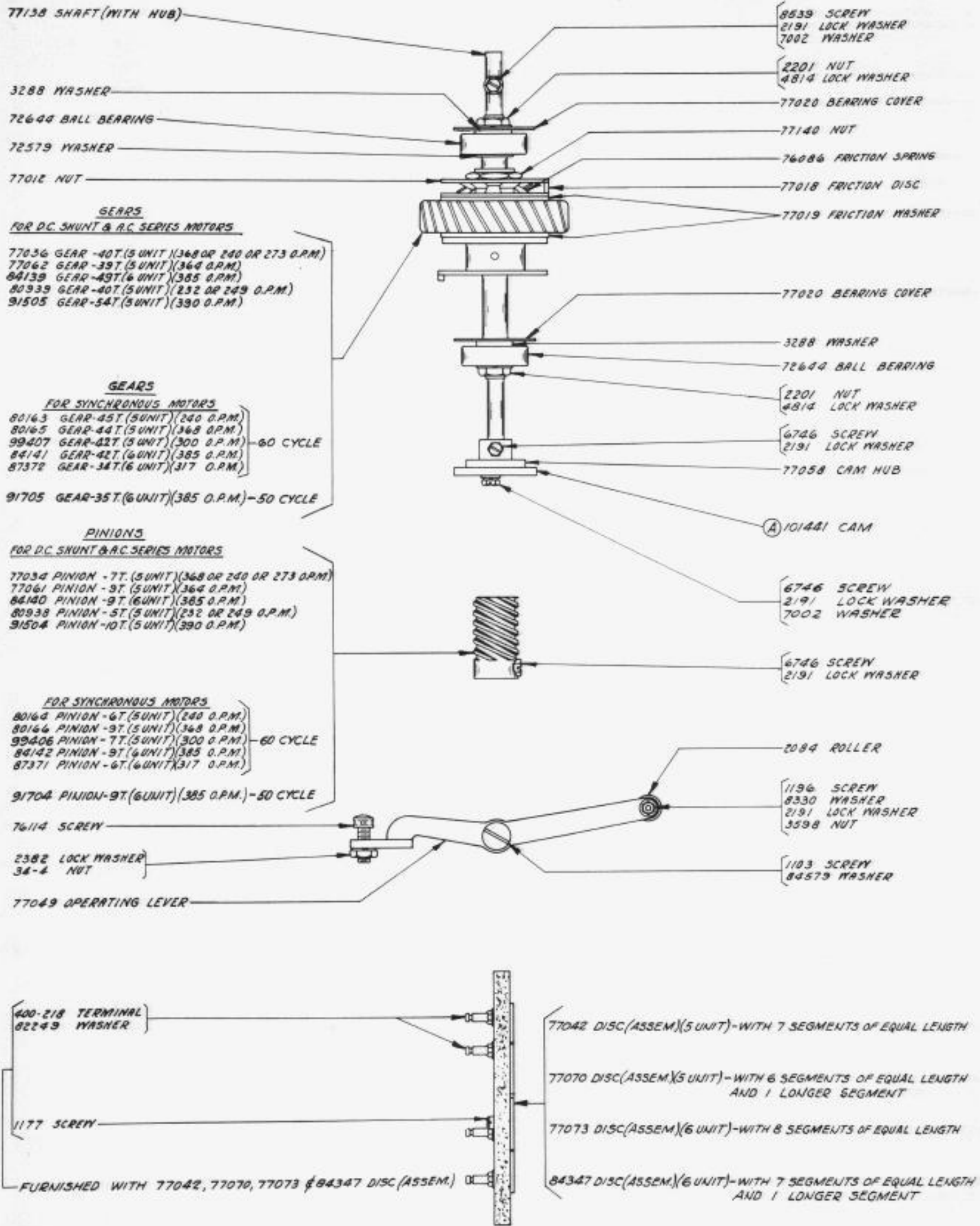
6746 SCREW
2191 LOCK WASHER

77028 BRUSH HOLDER BRACKET

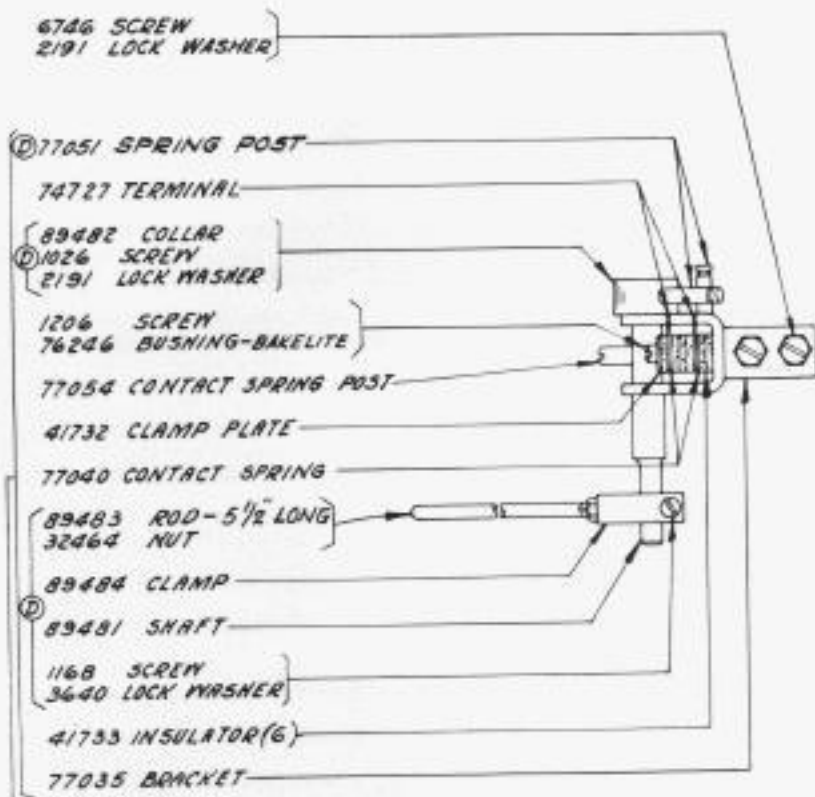
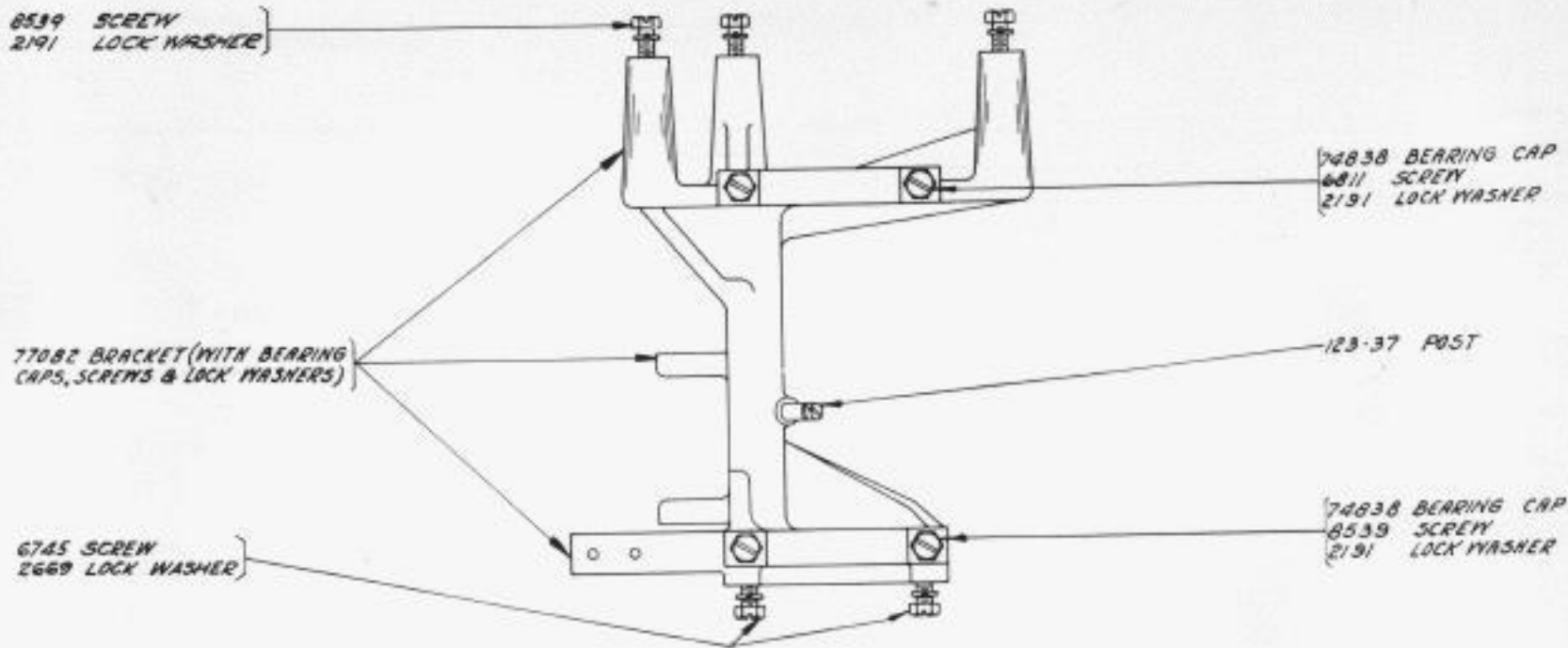
91683 NUT (HEX)
93075 NUT (RING)
73180 TOGGLE SWITCH (ASSEM.)

77136 CABLE (LINE) (W.D. 990-991-1268-1379-1580)
91227 CABLE (LINE) (W.D. 1617)
77126 CABLE (POWER) (W.D. 990-991-1379-1617)
87469 CABLE (POWER) (W.D. 990-991-1379-1617)
82102 CABLE (CONTROL) (W.D. 1379-1580)
77135 CABLE (CONTROL) (W.D. 990-991-1268)
91226 CABLE (CONTROL) (W.D. 1617)
87683 CABLE (MOTOR SWITCH) (W.D. 1379-1580)



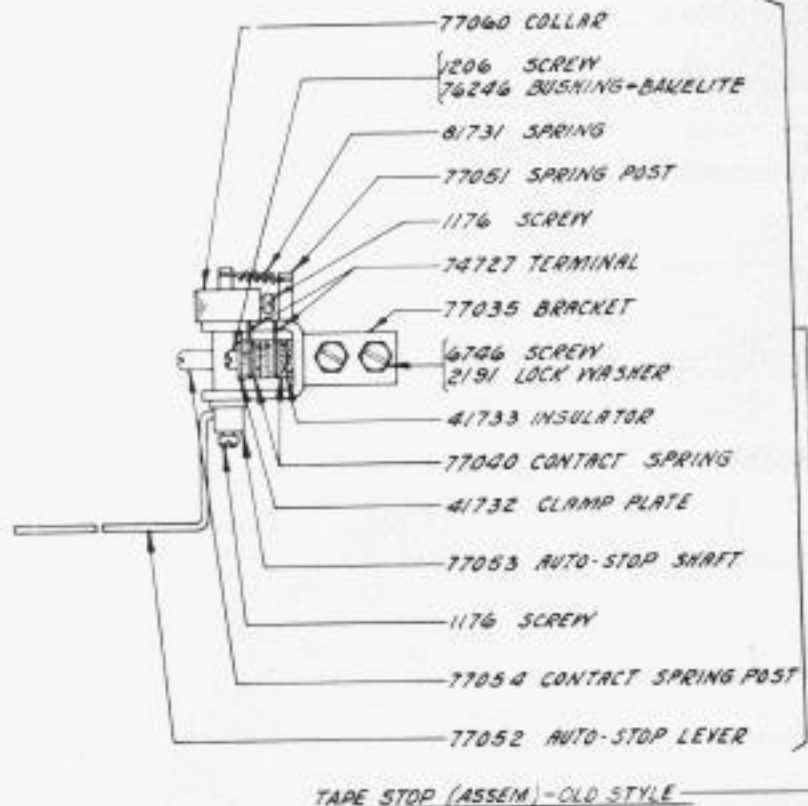


(A) SEE PAGE 16 FOR NOTES OF EXPLANATION

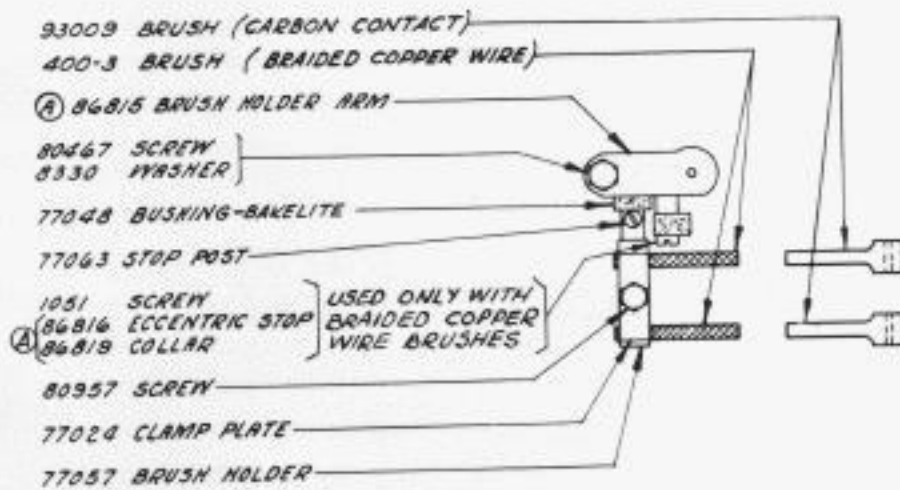


77079 TAPE STOP (ASSEM.) - NEW STYLE

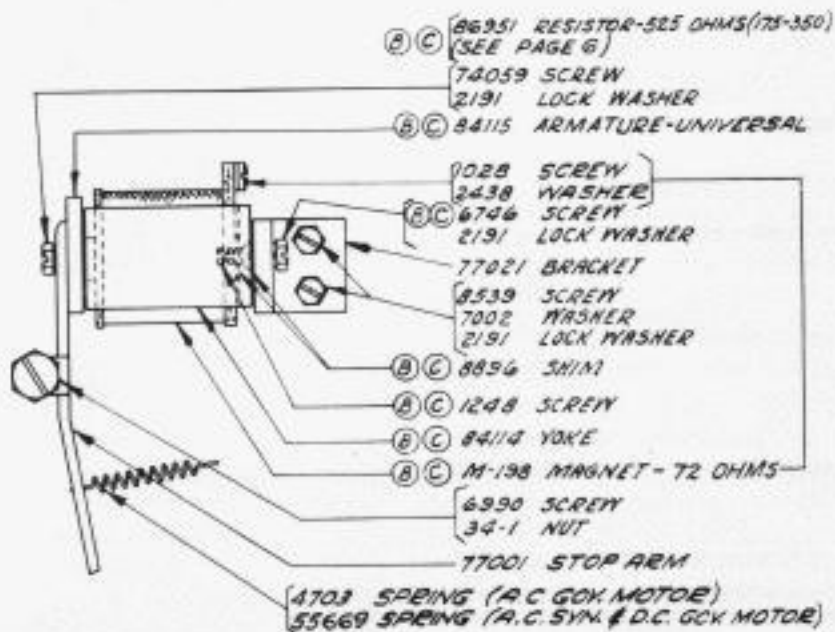
89485 SET OF PARTS FOR CONVERTING OLD STYLE TAPE STOP MECHANISM CONSISTS OF PARTS MARKED (D)



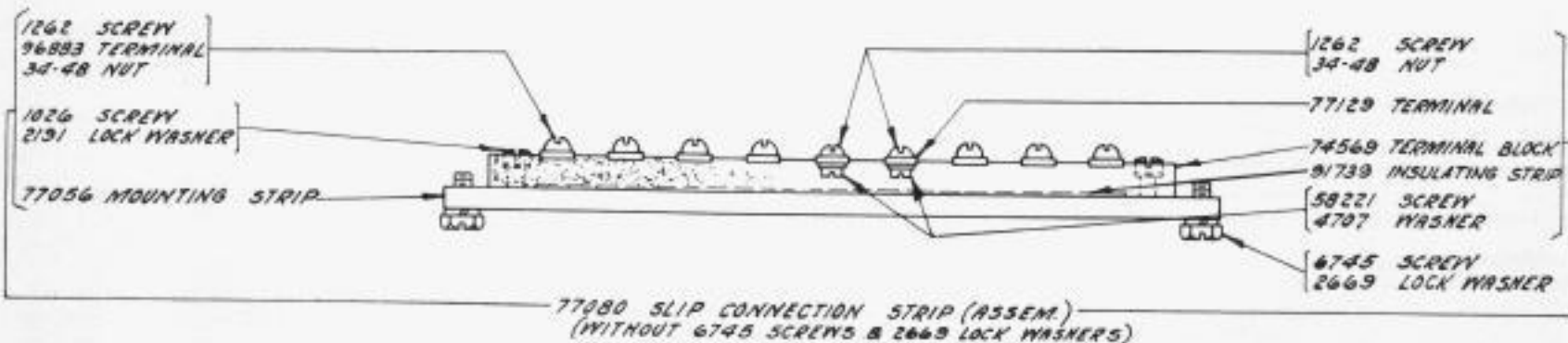
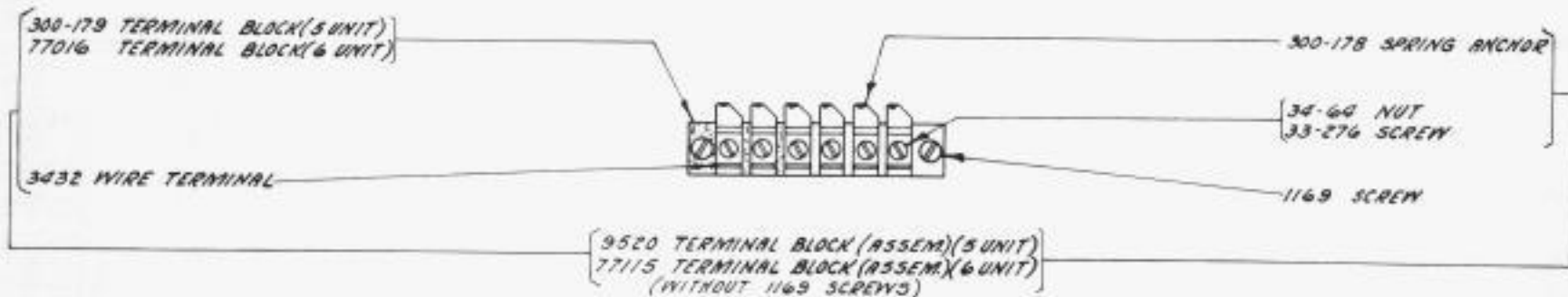
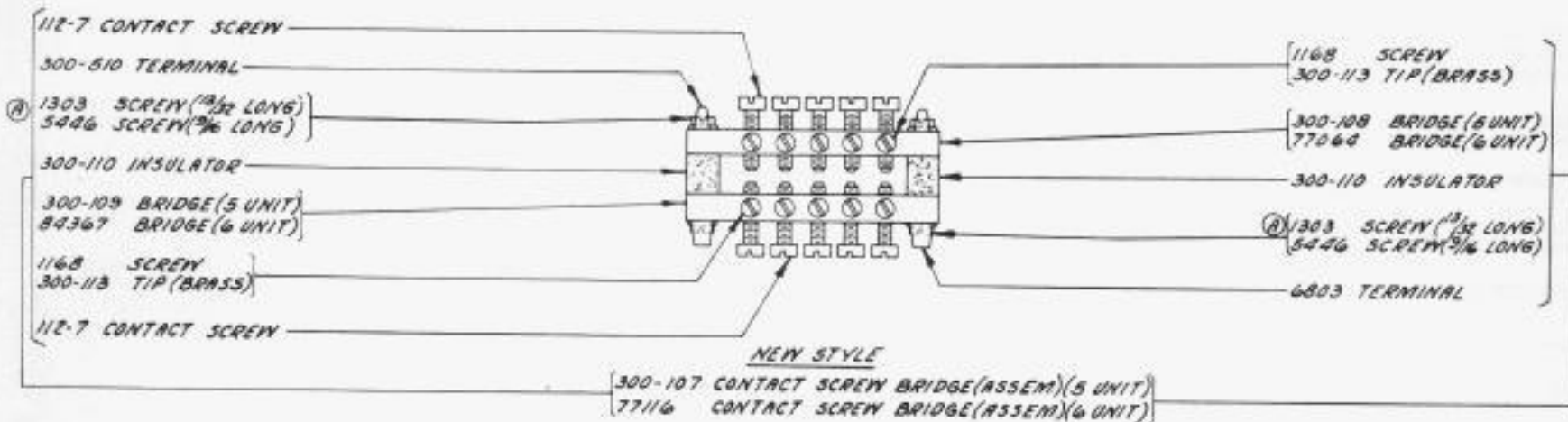
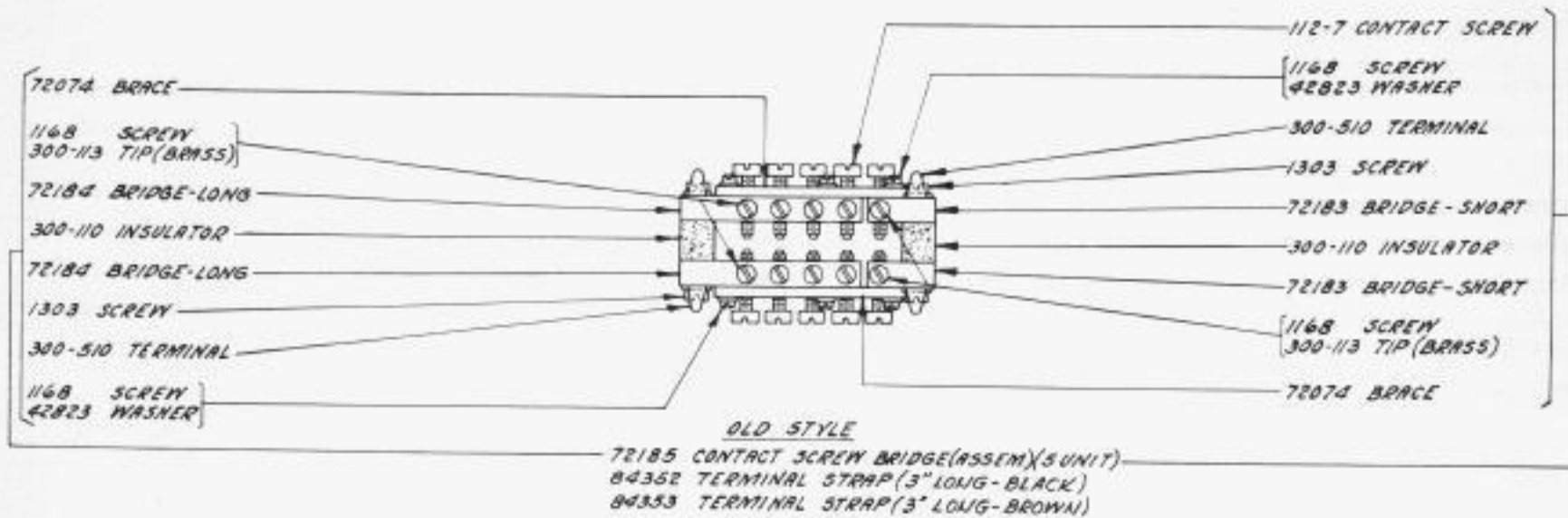
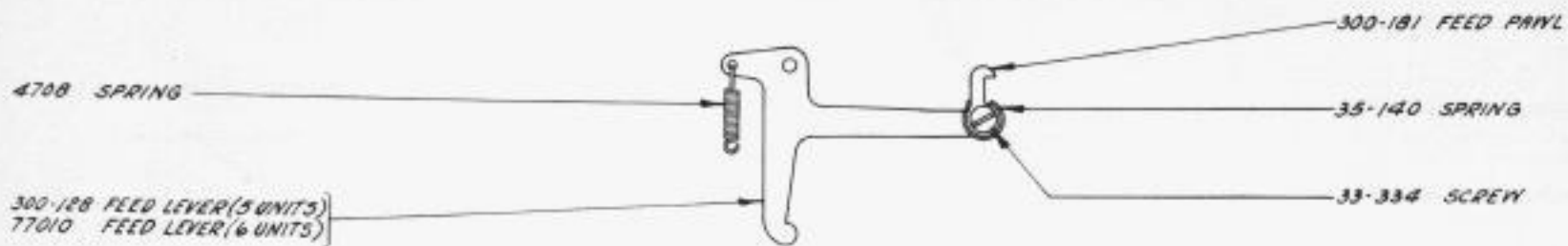
TAPE STOP (ASSEM.) - OLD STYLE



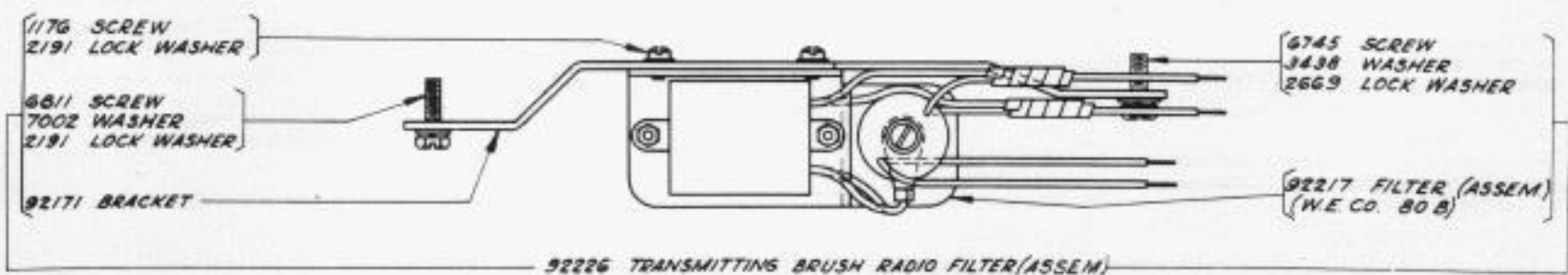
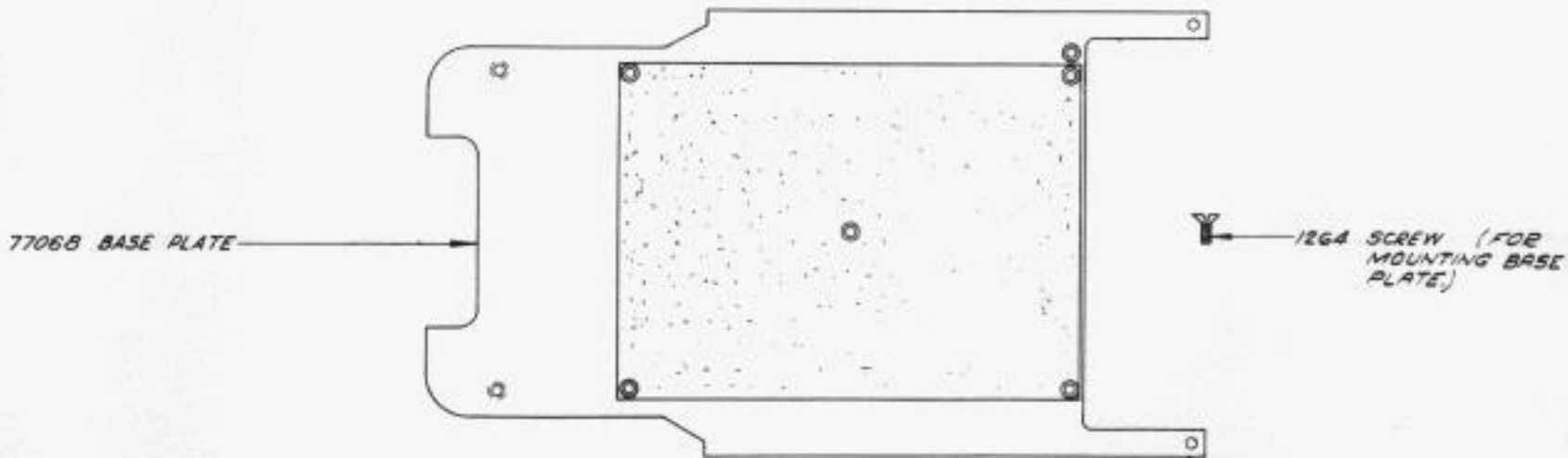
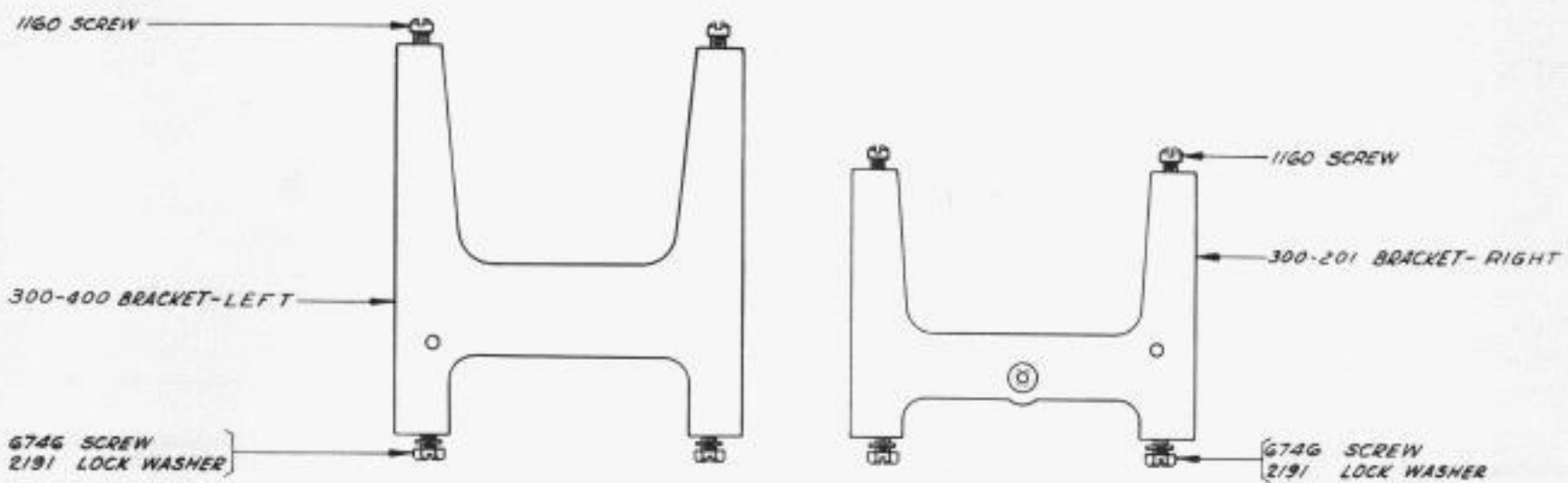
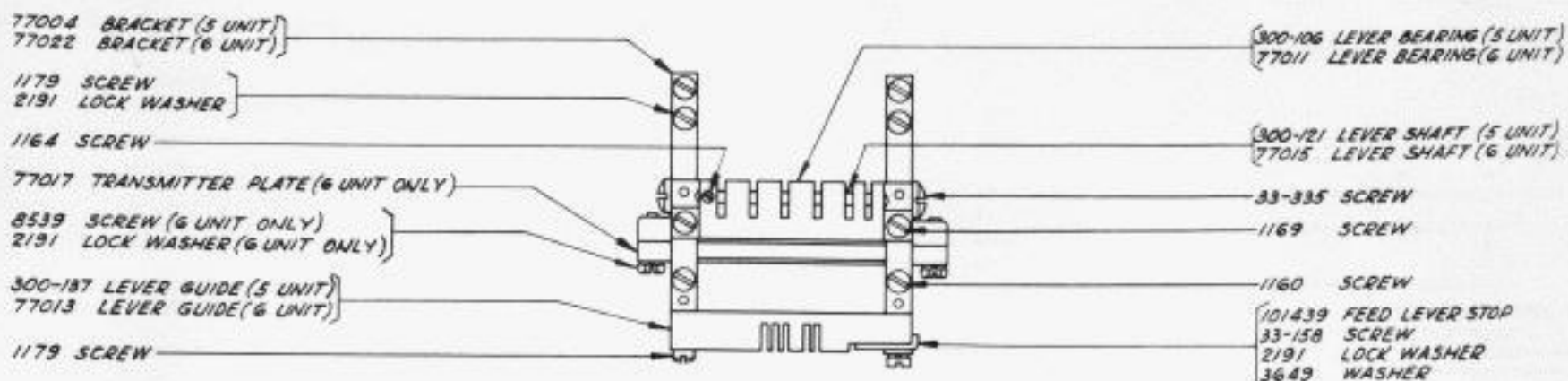
NOTE - (A) (B) SEE PAGE 16 FOR EXPLANATION

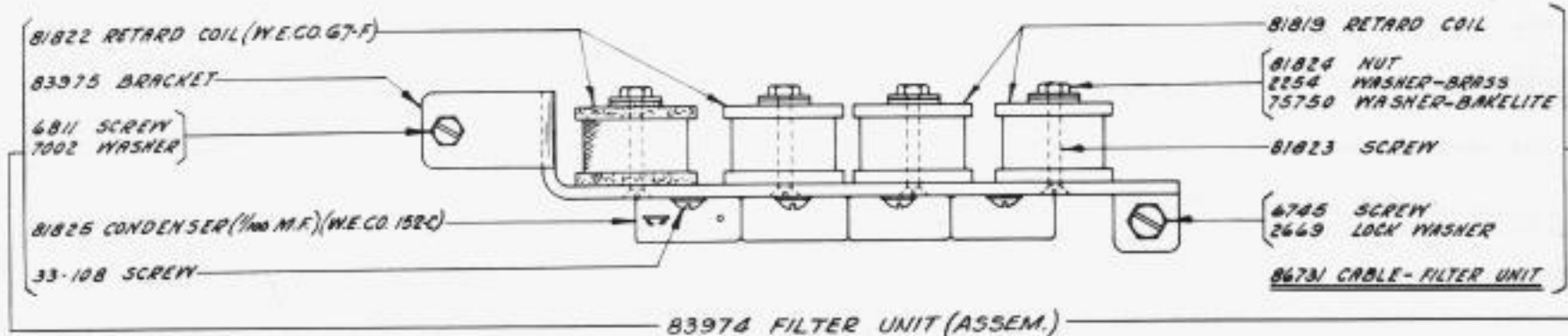
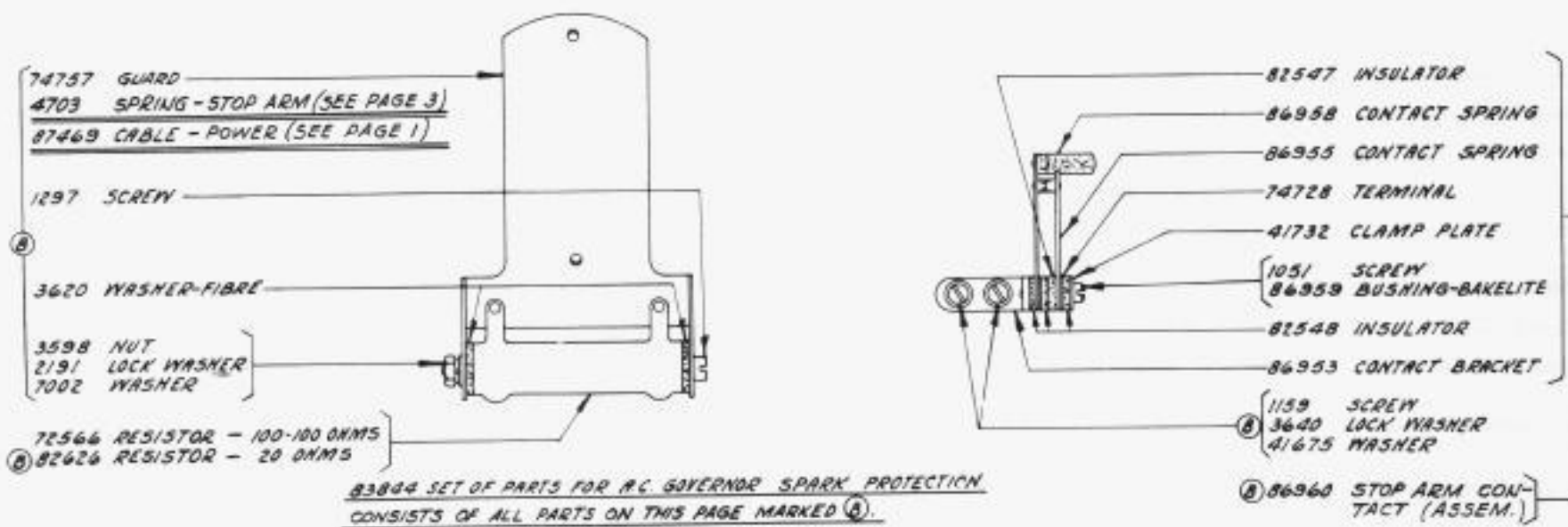
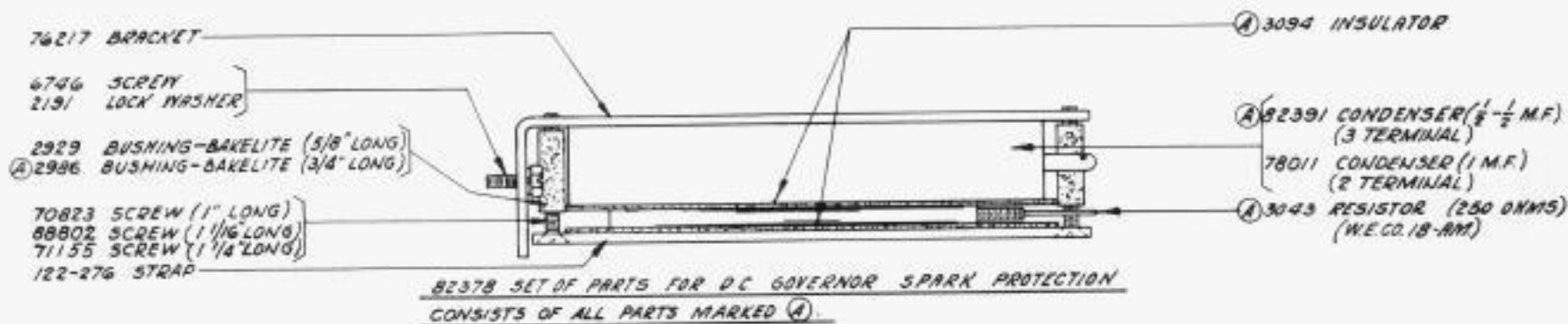
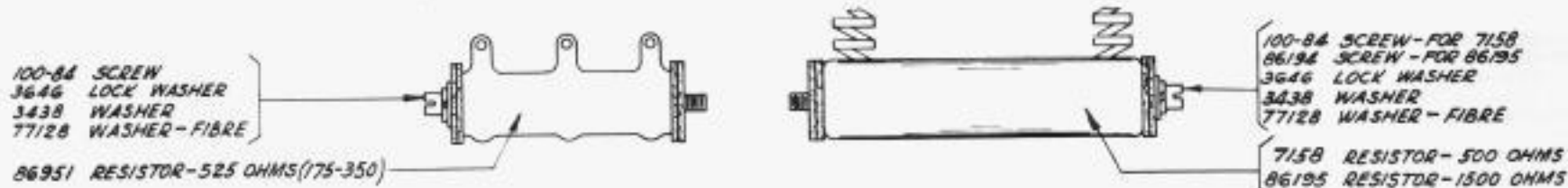
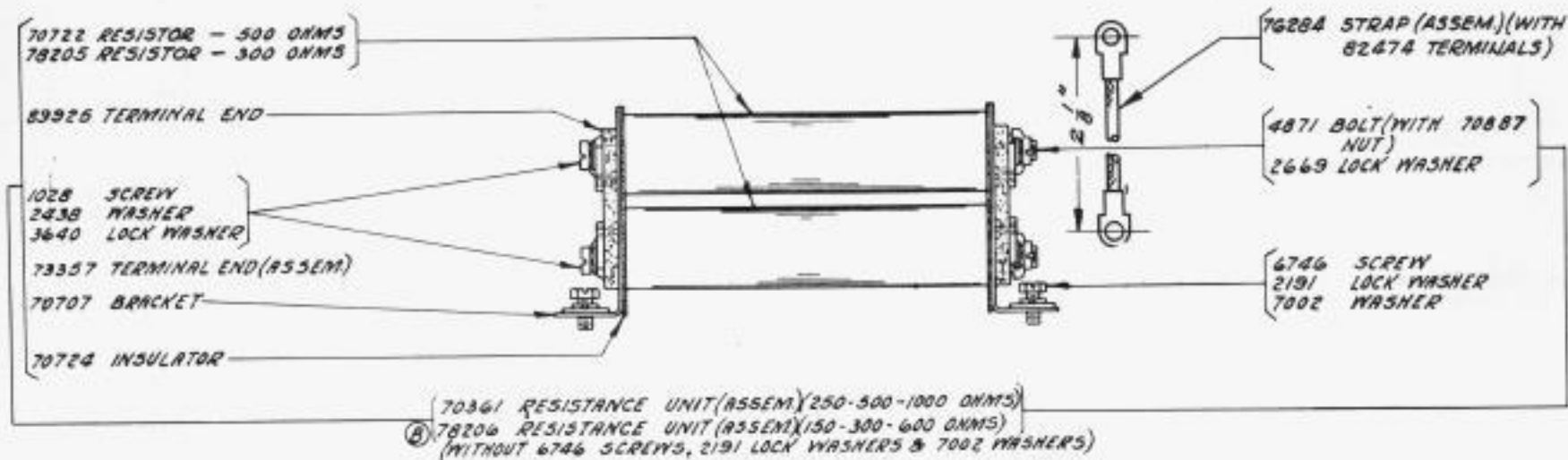


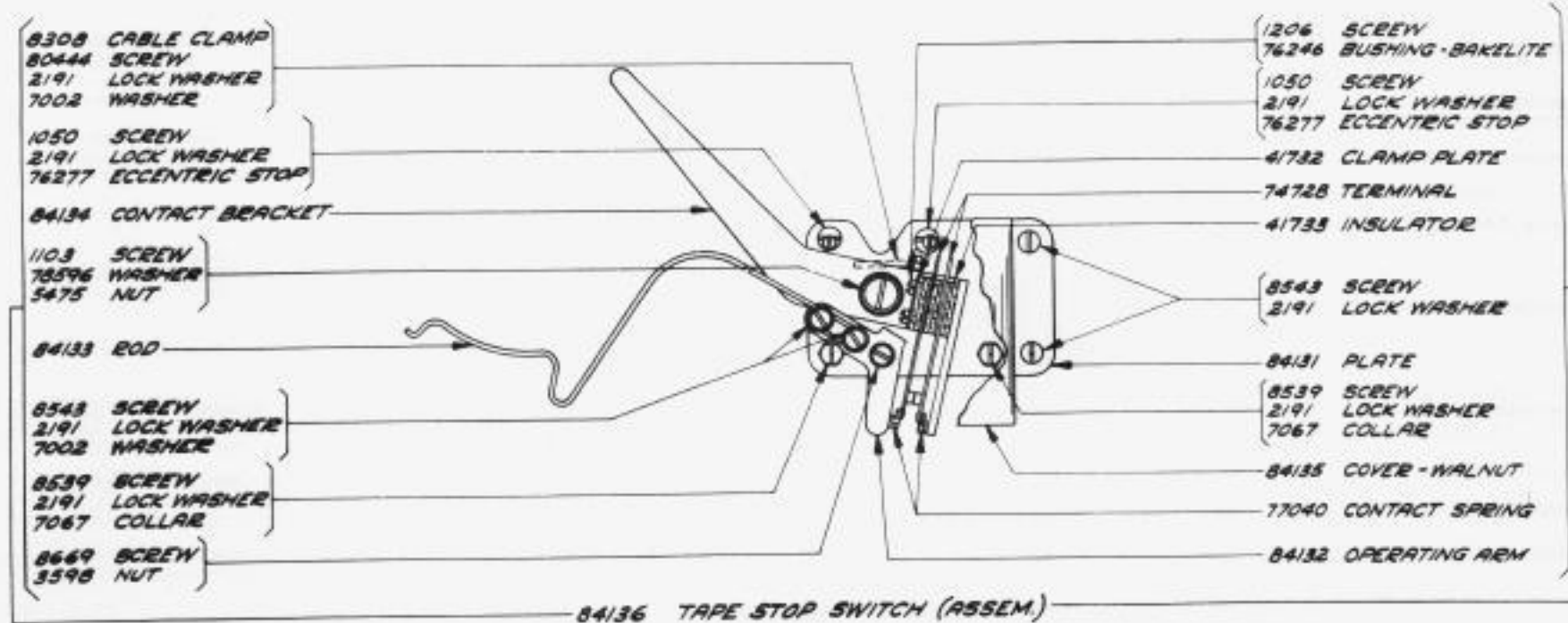
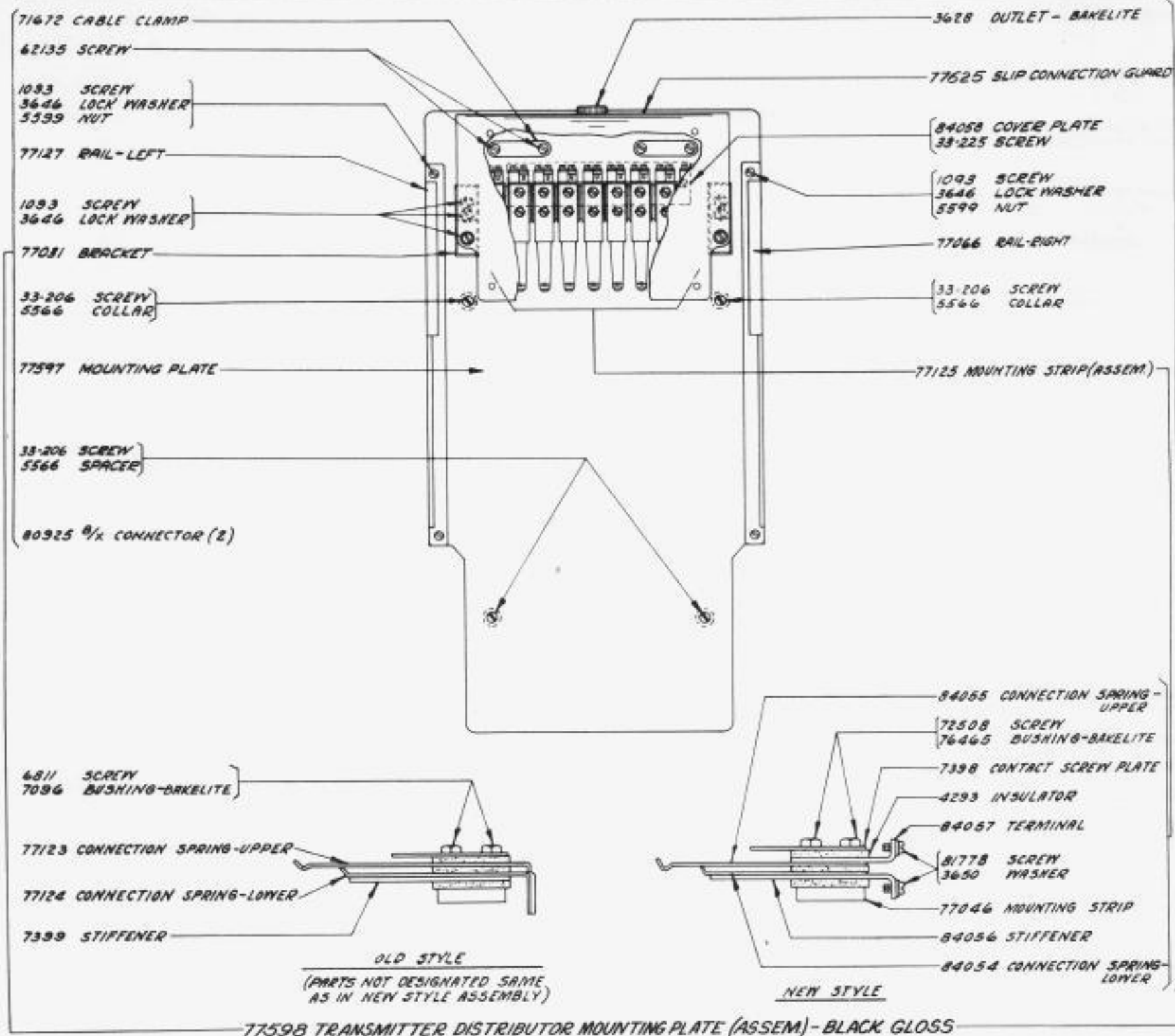
87390 SET OF PARTS FOR UNIVERSAL RELEASE MAGNET (110 V. A.C. OR D.C.) CONSISTS OF PARTS MARKED (C)

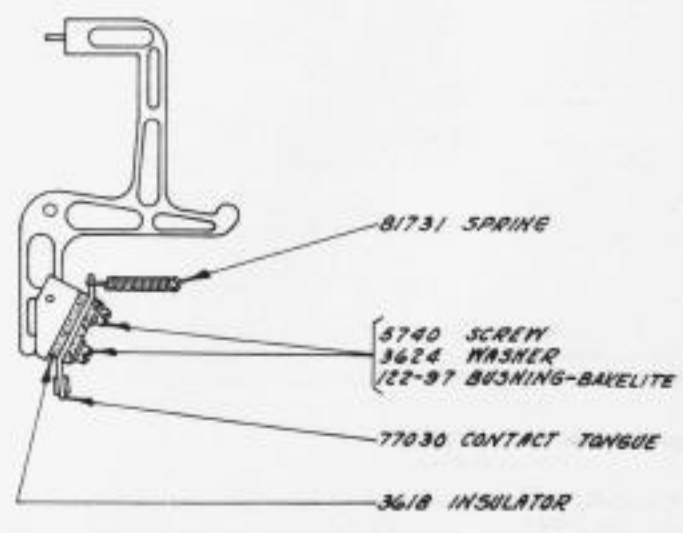
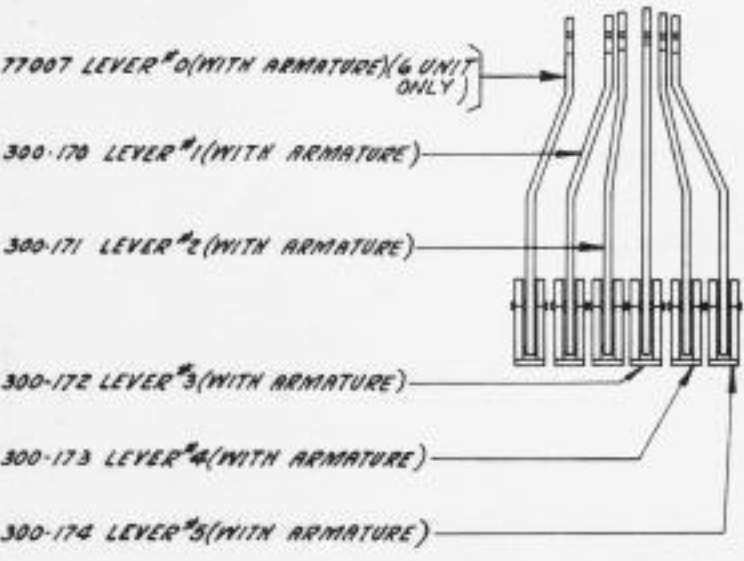
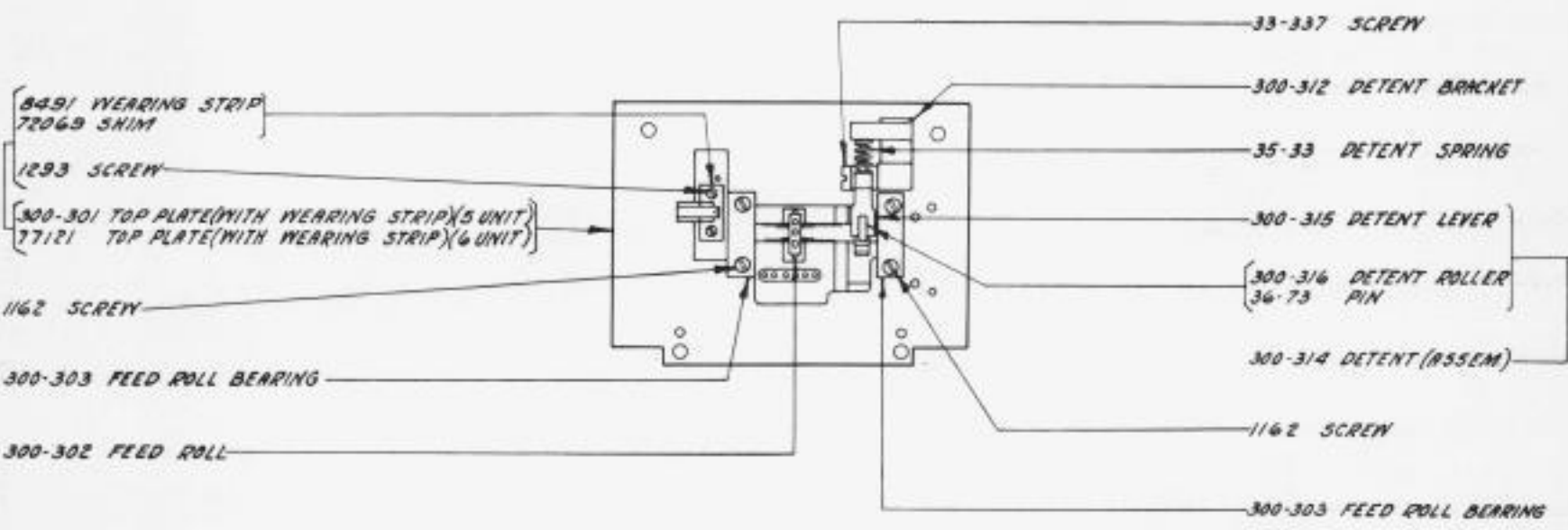
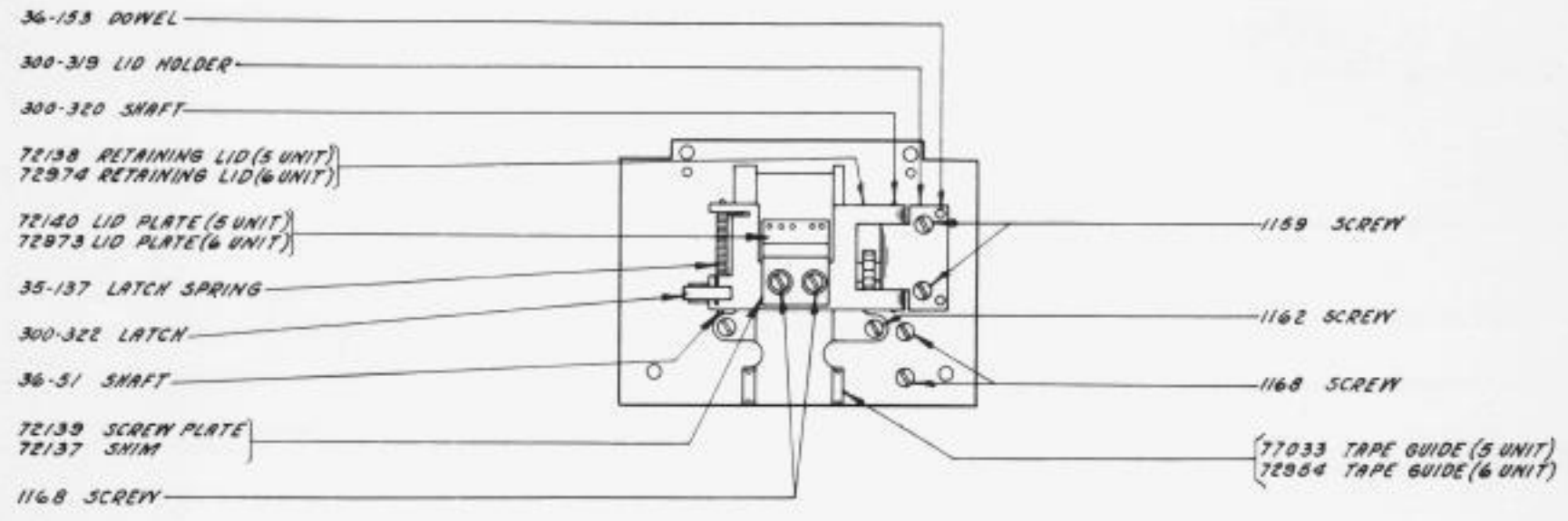
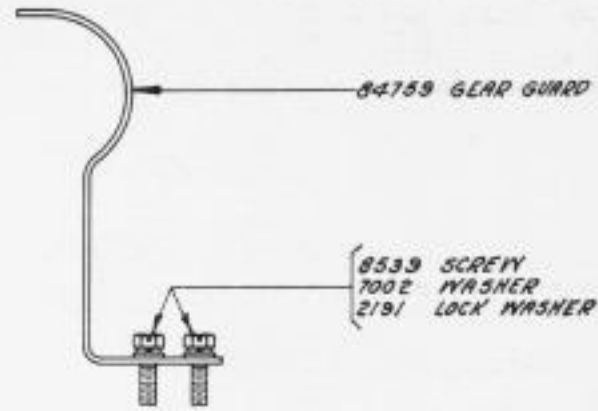
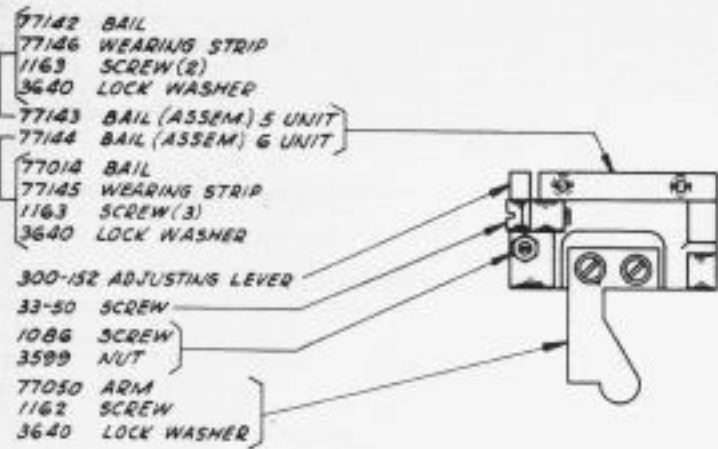


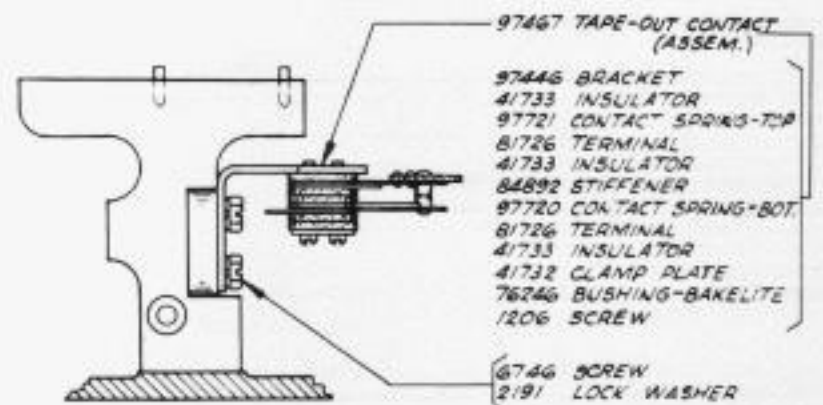
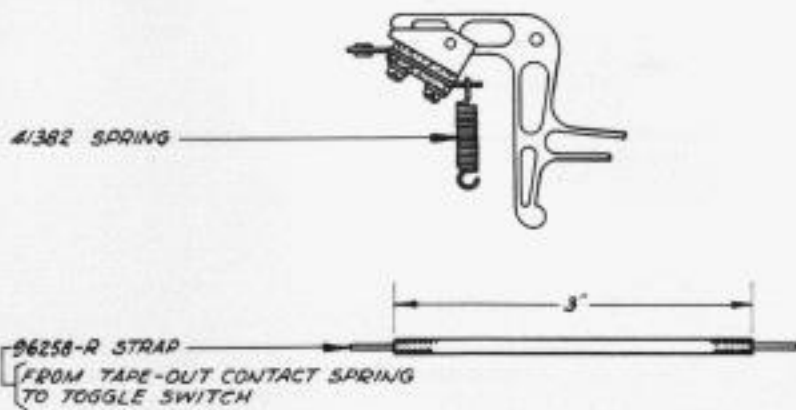
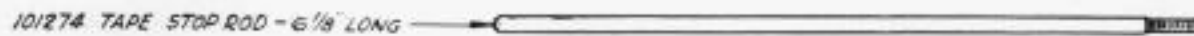
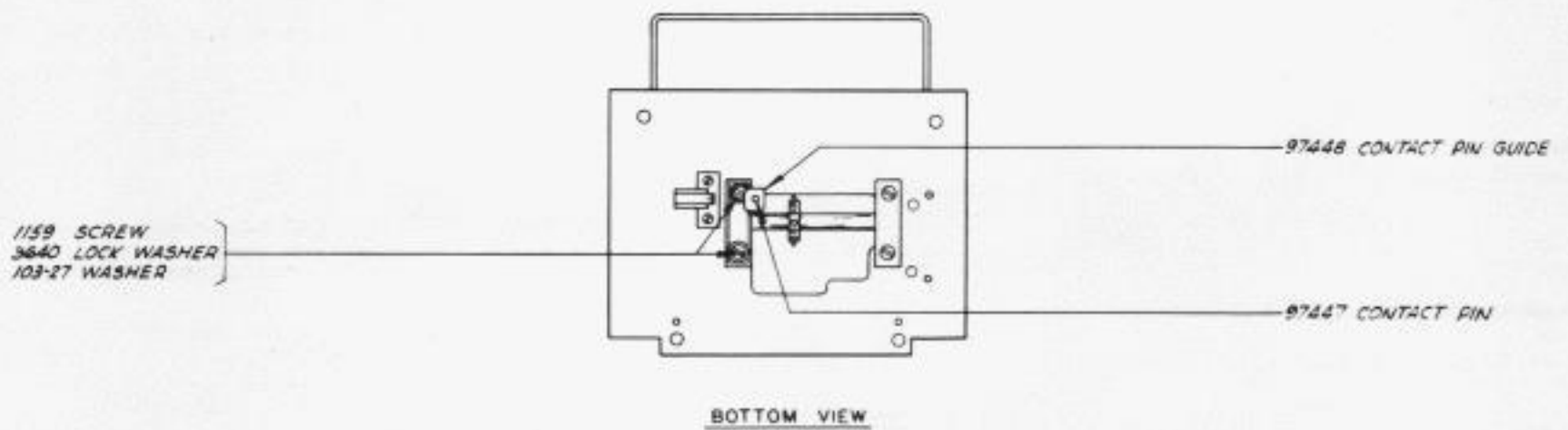
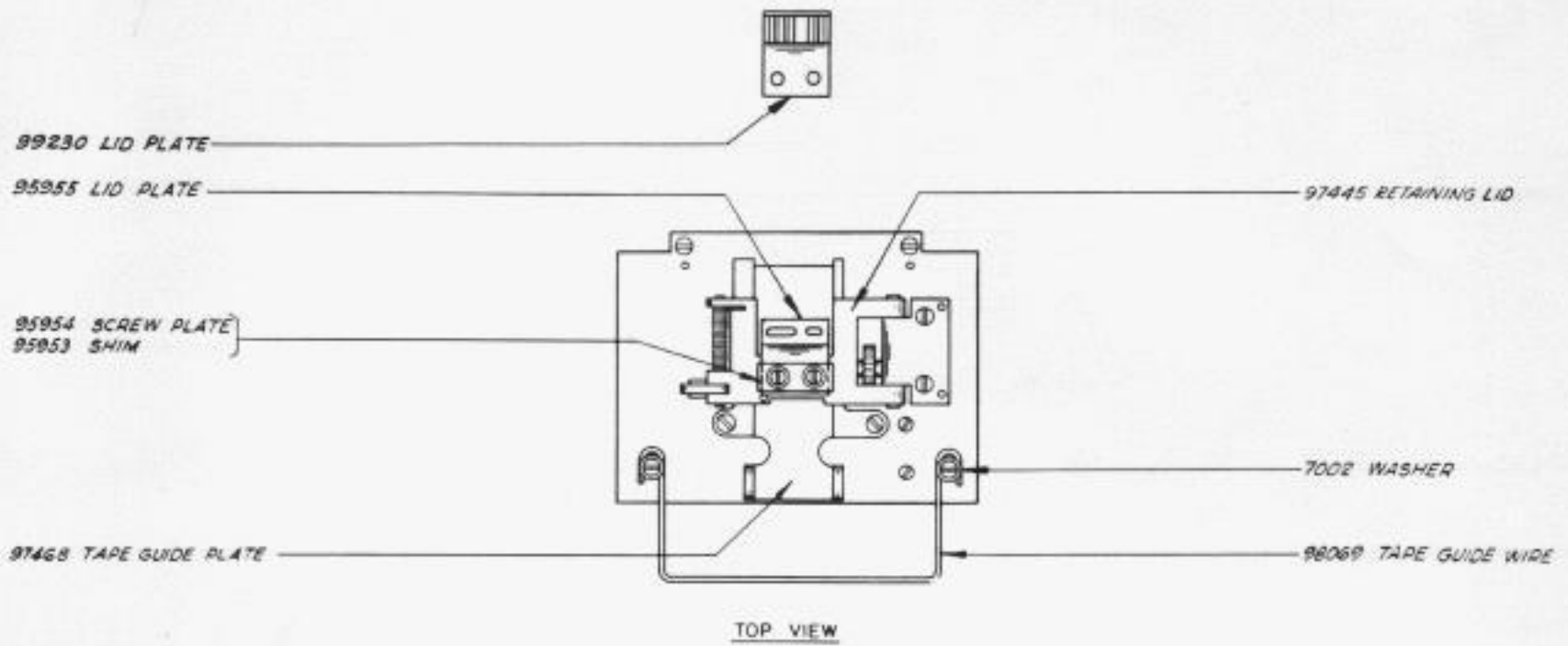
Ⓐ SEE PAGE 16 FOR EXPLANATION







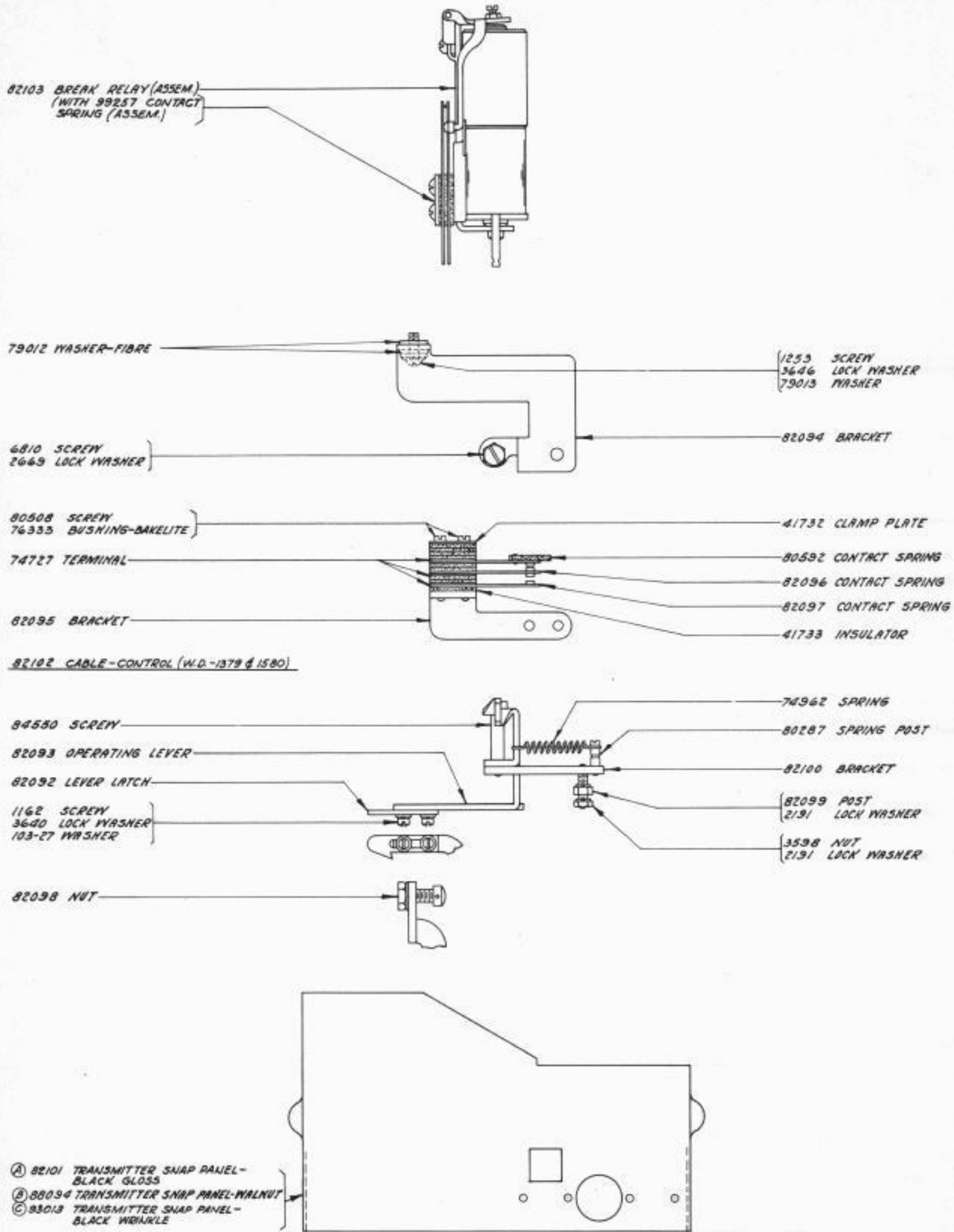




ALPHABETICAL INDEX

	<u>Page</u>
Base	1
Base Plate	5
Bell-on-Blank Parts	10
Brushes (Carbon and Braided Copper Wire)	3
Brush Holder Arm (Assem.)	3
Cables	1,6,17
Cam	2
Center Contact Governor (Assem.)	14
Condenser	6
Contact Lever Bail (Assem.)	8
Contact Screw Bridge (Assem.) (New and Old Style)	4
Covers	11
Disc (Assem.)	2
End Ring Governor (Assem.)	15
Feed Lever (Assem.)	4
Feed Roll	8
Filter Unit (Assem.)	5,6
Gears	2
Governed Motors	13
Governor (Assem.)	14,15
Governor Contact Bracket (Assem.)	14
Governor Parts	14,15
Guards	1,7,8,16
Magnet	3
Main Shaft (Assem.)	2
Main Shaft Bracket	3
Mounting Plate (Assem.)	7
Mounting Strip (Assem.) (New and Old Style)	7
Motors	12,13
Name Plates	11
Notes of Explanation	16
Numerical Index	17
Pinions	2
Regular Perforated Tape Parts	8
Resistance Unit (Assem.)	6
Resistors (Flat and Round Type)	6
Retaining Lid (Assem.) - Chadless Tape (5 Unit)	9
Retaining Lid (Assem.) - Regular Perforated Tape (5 and 6 Unit)	8
Set of Parts for A.C. Governor Spark Protection	6
Set of Parts for Bell-on-Blank Mechanism	10
Set of Parts for Converting Old Style Tape Stop Mechanism	3
Set of Parts for D.C. Governor Spark Protection	6

BELL-ON-BLANK

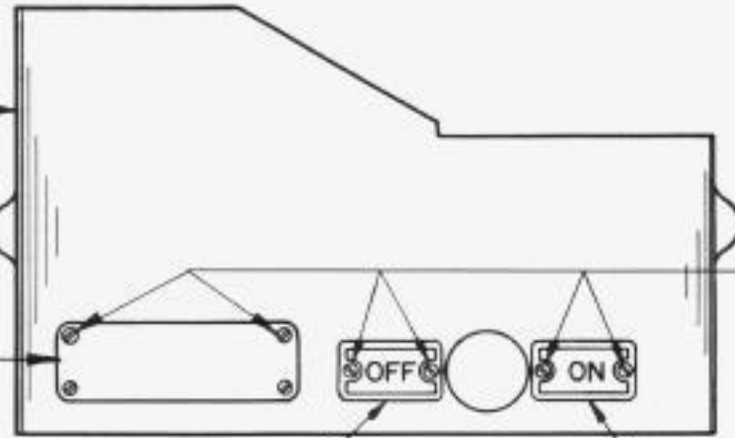


(A) 82084 SET OF PARTS FOR BELL-ON-BLANK MECHANISM-BLACK GLOSS
(B) 88095 SET OF PARTS FOR BELL-ON-BLANK MECHANISM-WALNUT

NOTE:- (A) (B) SEE PAGE 16 FOR EXPLANATION.

- 77086 TRANSMITTER SNAP PANEL - BLACK GLOSS
- 80732 TRANSMITTER SNAP PANEL - WALNUT
- 95987 TRANSMITTER SNAP PANEL - BLACK WRINKLE

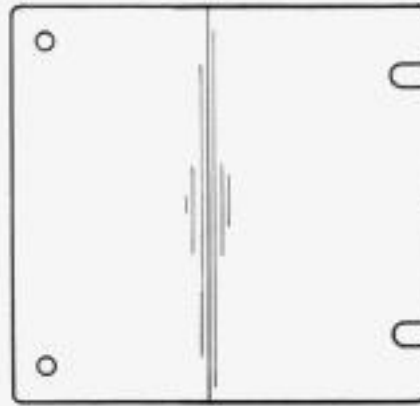
NAME PLATE (ORDER BY DESCRIPTION)



87636 SCREW
3/4-11 NUT

82729 NAME PLATE

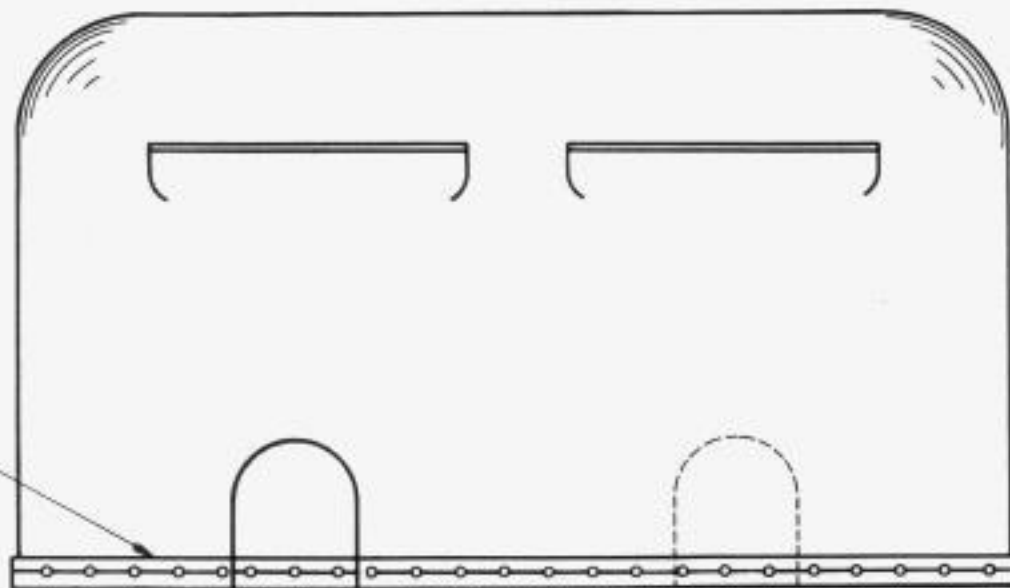
82728 NAME PLATE



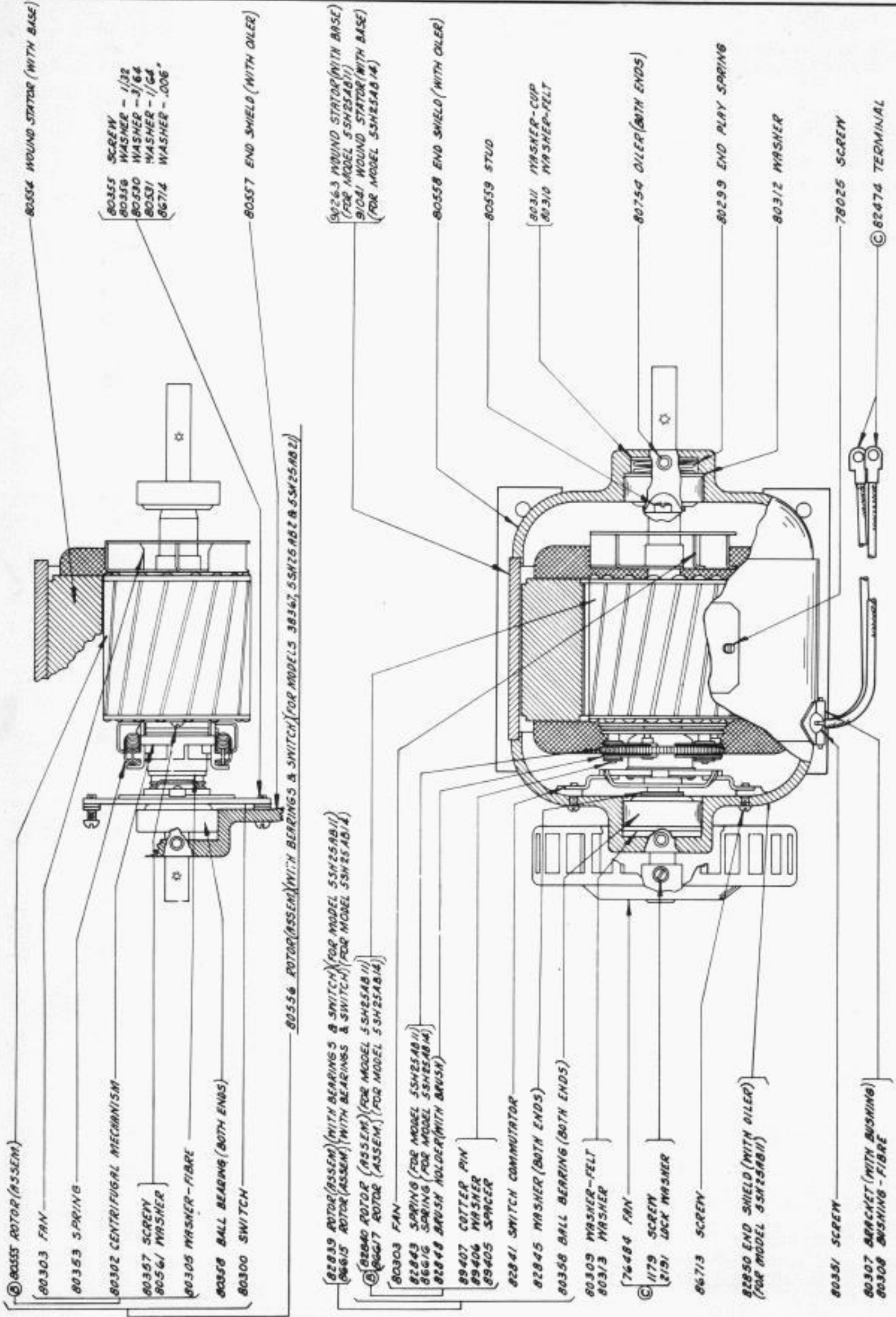
- 5555 TRANSMITTER COVER (5 UNIT) BLACK GLOSS
- 80730 TRANSMITTER COVER (5 UNIT) WALNUT
- 93012 TRANSMITTER COVER (5 UNIT) BLACK WRINKLE
- 95174 TRANSMITTER COVER (5 UNIT) STAINLESS STEEL

- 77147 TRANSMITTER COVER (6 UNIT) BLACK GLOSS
- 84552 TRANSMITTER COVER (6 UNIT) WALNUT

7826 CHANNEL-RUBBER



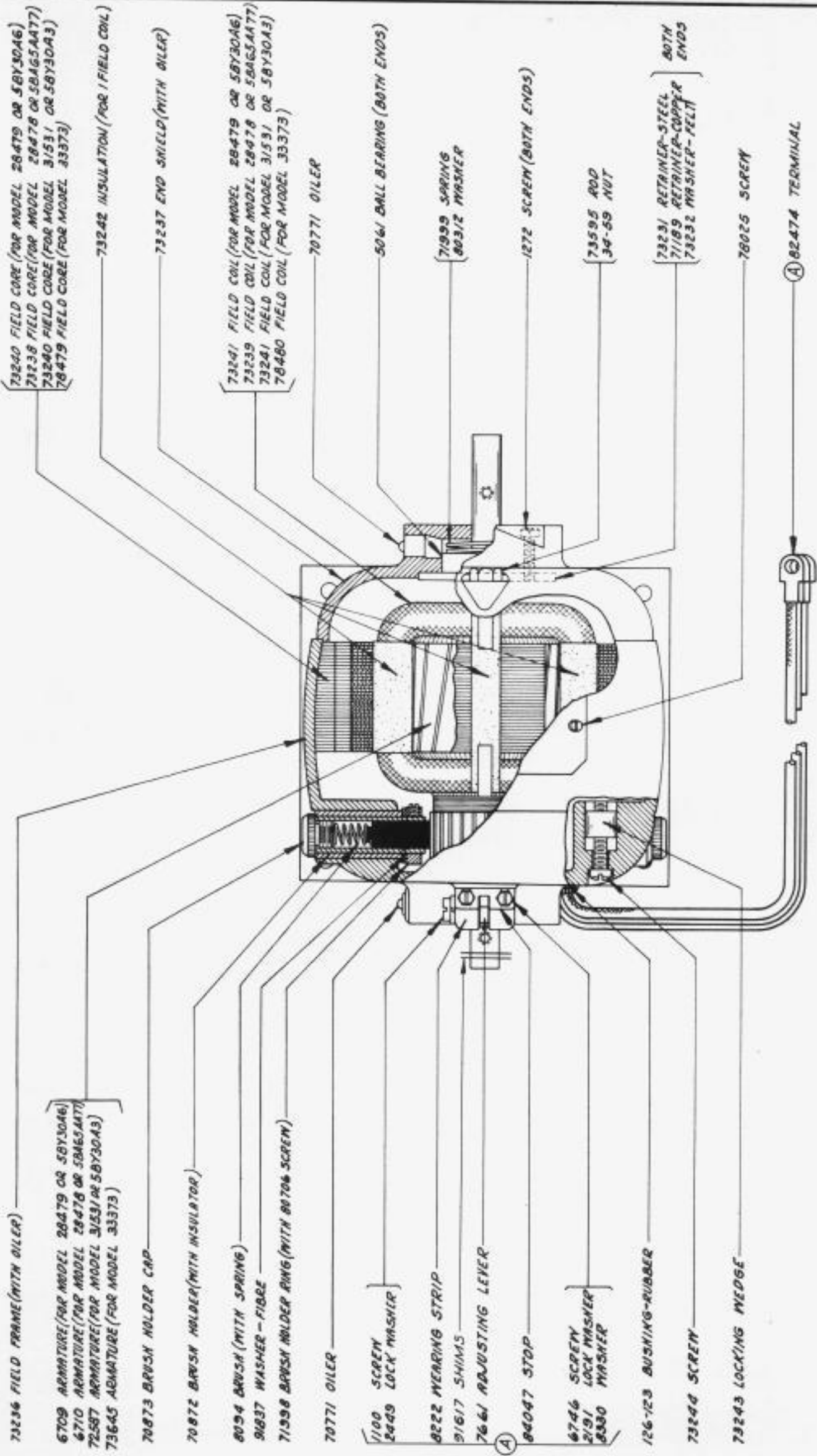
- 77091 DISTRIBUTOR COVER - BLACK GLOSS
- 80731 DISTRIBUTOR COVER - WALNUT
- 91224 DISTRIBUTOR COVER - BLACK WRINKLE



80554 WOUND STATOR (WITH BASE)
 80355 SCREW
 80356 WASHER - 1/32
 80530 WASHER - 3/64
 80531 WASHER - 1/64
 86714 WASHER - .006"
 80357 END SHIELD (WITH OILER)
 80556 ROTOR (ASSEM.) (WITH BEARINGS & SWITCH) (FOR MODELS 38367, 55H25AB2 & 55H25AB2)
 80303 FAN
 80353 SPRING
 80302 CENTRIFUGAL MECHANISM
 80357 SCREW
 80561 WASHER
 80305 WASHER - FIBRE
 80358 BALL BEARING (BOTH ENDS)
 80300 SWITCH
 82283 ROTOR (ASSEM.) (WITH BEARINGS & SWITCH) (FOR MODEL 55H25AB11)
 86615 ROTOR (ASSEM.) (WITH BEARINGS & SWITCH) (FOR MODEL 55H25AB14)
 82840 ROTOR (ASSEM.) (FOR MODEL 55H25AB11)
 86617 ROTOR (ASSEM.) (FOR MODEL 55H25AB14)
 80303 FAN
 82843 SPRING (FOR MODEL 55H25AB11)
 86616 SPRING (FOR MODEL 55H25AB14)
 82848 BRUSH HOLDER (WITH BRUSH)
 89407 COTTER PIN
 89406 WASHER
 89405 SPACER
 82841 SWITCH COMMUTATOR
 82845 WASHER (BOTH ENDS)
 80358 BALL BEARING (BOTH ENDS)
 80309 WASHER - FELT
 80313 WASHER
 76484 FAN
 1179 SCREW
 2191 LOCK WASHER
 86713 SCREW
 82850 END SHIELD (WITH OILER) (FOR MODEL 55H25AB11)
 80351 SCREW
 80307 BRACKET (WITH BUSHING)
 80308 BUSHING - FIBRE
 80754 OILER (BOTH ENDS)
 80299 END PLAY SPRING
 80312 WASHER
 78025 SCREW
 62474 TERMINIAL

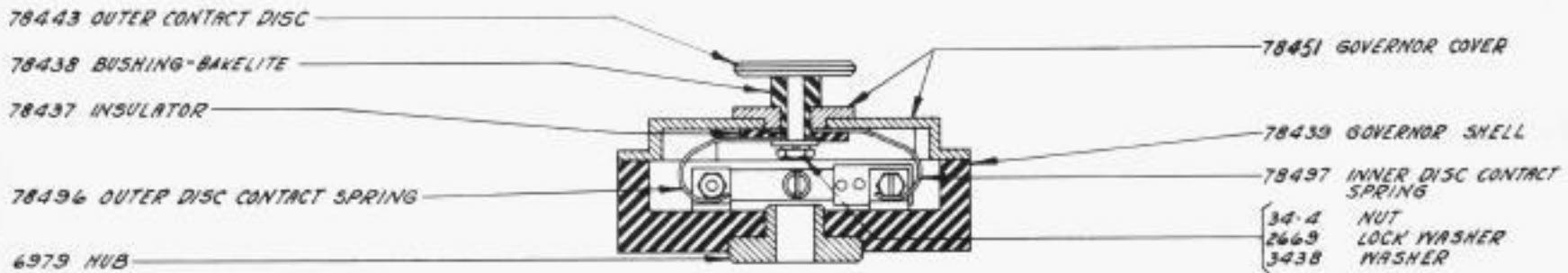
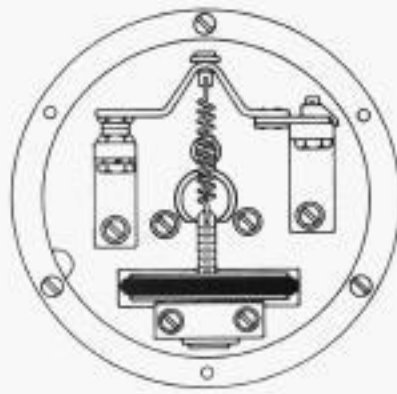
82283 SYNCHRONOUS MOTOR - 1/40 H.P., 110 V., 60 CYCLE, A.C. (G.E. MODEL 55H25AB11) (EXCLUDES PARTS MARKED ©)
 82714 SYNCHRONOUS MOTOR - 1/40 H.P., 110 V., 50 CYCLE, A.C. (G.E. MODEL 55H25AB14) (EXCLUDES PARTS MARKED ©)

NOTE: -
 (A) SEE PAGE 16 FOR EXPLANATION.

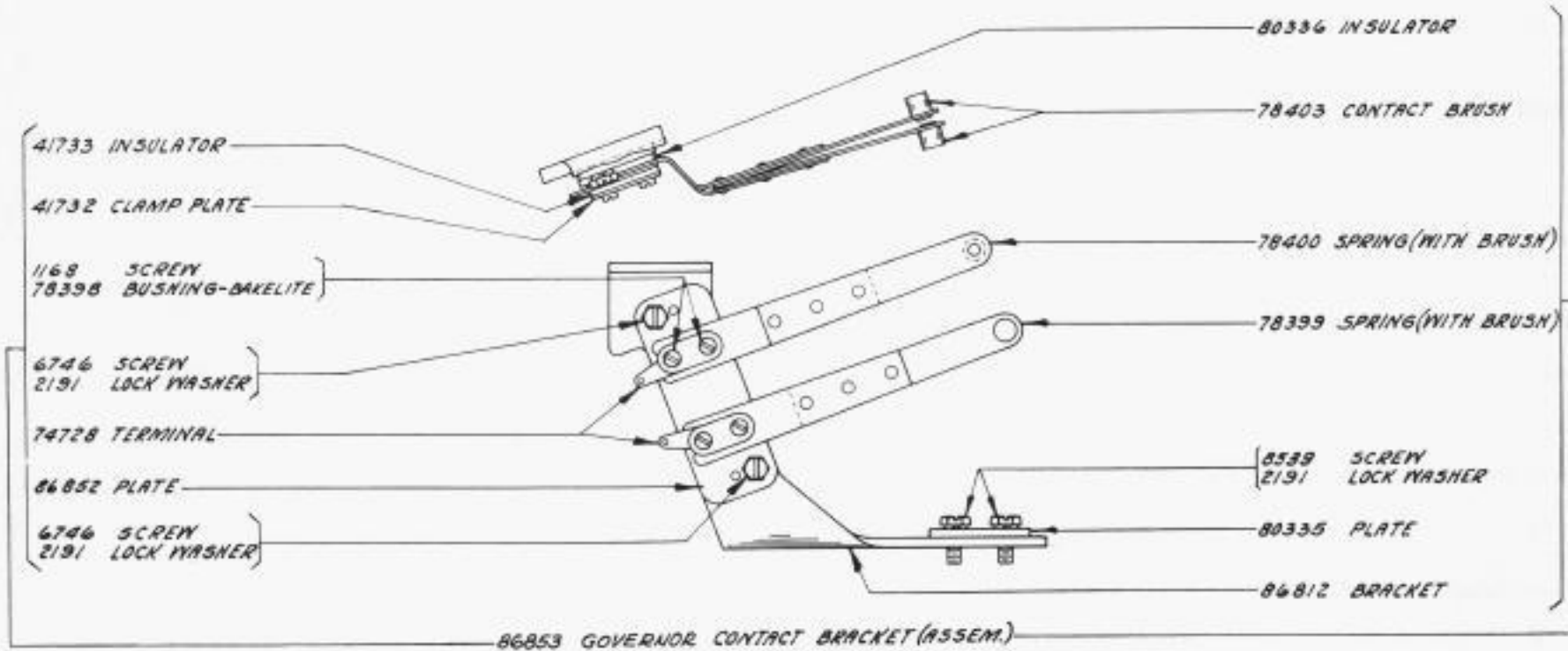


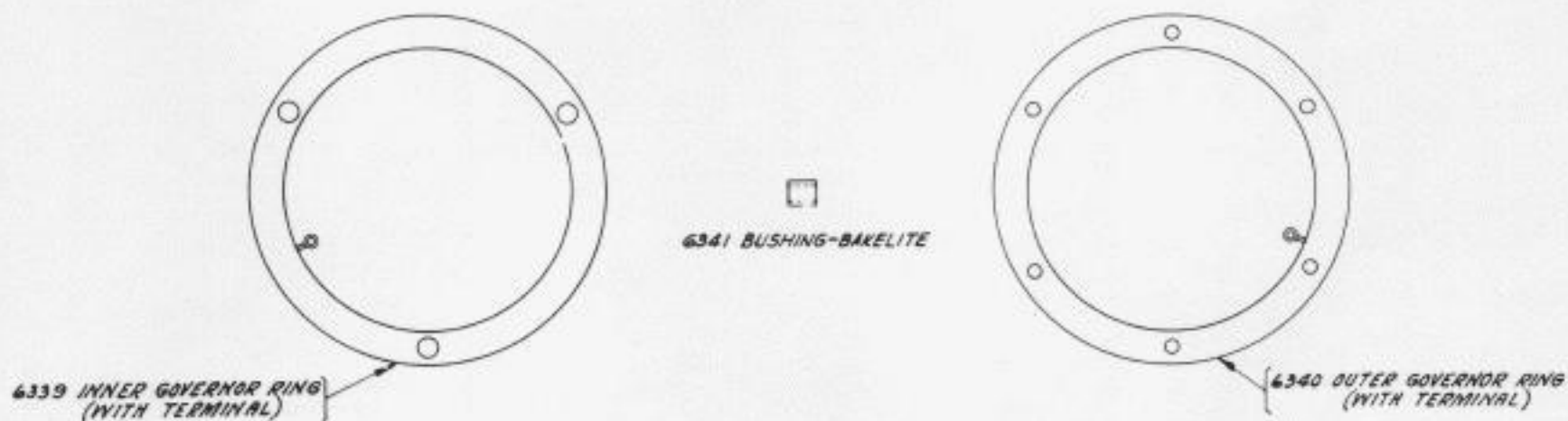
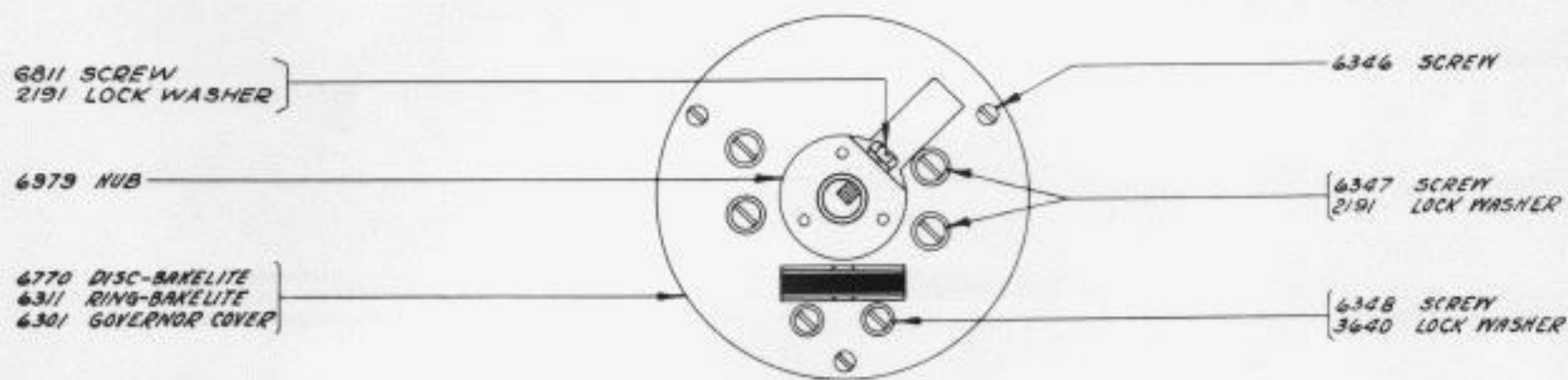
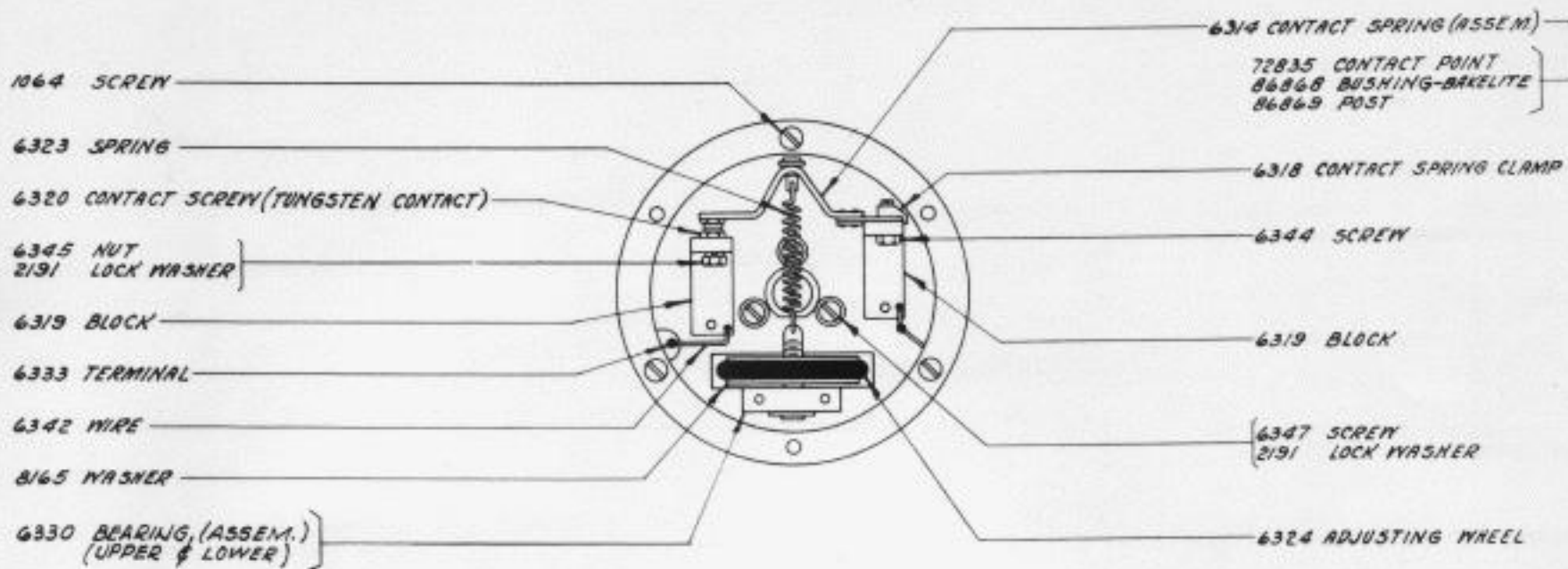
6707 SHUNT MOTOR - 1/20 H.P. - 110V. - D.C. (G.E. MODEL 28479 OR 58Y30A6)
6708 SERIES MOTOR - 1/25 H.P. - 110V. - 60 CYCLE - A.C. (G.E. MODEL 28478 OR 58A65A77)
72586 SHUNT MOTOR - 1/17 H.P. - 110V. - D.C. (G.E. MODEL 31531 OR 58Y30A3)
73644 SHUNT MOTOR - 1/17 H.P. - 220V. - D.C. (G.E. MODEL 33373)

EXCLUDES PARTS MARKED (A)



80352 CENTER CONTACT GOVERNOR (ASSEM.) (WITH HUB FOR $\frac{1}{8}$ " MOTOR SHAFT)
DOES NOT INCLUDE 86853 CONTACT BRACKET (ASSEM.)
NOTE: FOR PARTS NOT LISTED SEE PAGE 15

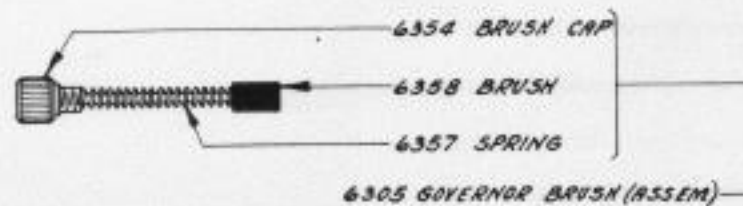
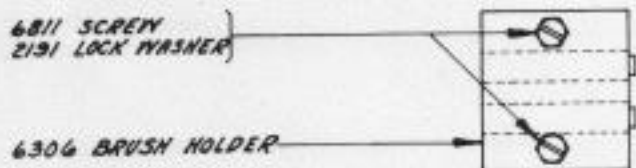




THESE GOVERNOR RINGS ARE MADE OVER-SIZE AND CAN BE USED FOR REPLACEMENT ONLY AT POINTS WHERE FACILITIES ARE AVAILABLE FOR TURNING THEM DOWN AFTER RINGS HAVE BEEN ASSEMBLED IN GOVERNOR.

7485 END RING GOVERNOR (ASSEM.) (FOR 3/8 MOTOR SHAFT)
(GOVERNOR (ASSEM.) DOES NOT INCLUDE TARGET, BRUSH HOLDER, BRUSHES OR GOV. MTG. SCREW)

SPEED TARGETS	
73376	TARGET - 5 SPOT
78877	TARGET - 6 SPOT
8425	TARGET - 7 SPOT
7704	TARGET - 8 SPOT
7705	TARGET - 9 SPOT
7105	TARGET - 10 SPOT
7109	TARGET - 15 SPOT
7111	TARGET - 19 SPOT
72665	TARGET - 23 SPOT



NOTES OF EXPLANATION

Page 2

- (A) The 101441 cam (stamped "X") supersedes the old style 77074 cam. When ordering a 101441 cam to replace a 77074 cam, the following parts (shown on page 5) must also be ordered: 101439 feed lever stop - 1, 2191 lock washer - 1, and 3649 washer - 1.

Page 3

- (A) The 77047 old style brush holder arm is no longer furnished. On sales orders for 77047, the following parts will be furnished:

1 - 86815 Brush Holder Arm
1 - 86816 Eccentric Stop
1 - 86819 Collar

The 86815 brush holder arm is 1/8" shorter than the 77047 brush holder arm, measured from the center of the clamping slot to the bottom of the sleeve.

The 77141 old style eccentric stop and the 81814 brush stiffener may be ordered for maintenance, but are not to be used with the 86815 new style brush holder arm.

- (B) Parts marked (B) are used only with the new style universal release magnet assembly, as shown. The old style magnet assembly which is also used for 220 V. D.C. operation does not use the 84114 yoke, 8896 shims, 1248 screws and 86951 resistor - 525 ohms (175-350); and instead of the 84115 armature, M-198 magnet (72 ohms) and 6746 screws, the old style magnet assembly uses 77090 armature, M-153 magnet (130 ohms) and 33-58 screws. For 220 V. D.C. operation, an 86195 resistor (1500 ohms) (shown on page 6) is also used.

Parts not marked are used on both old and new style magnet assemblies.

Page 4

- (A) The 1303 screws are used with old style six-unit contact screw bridge (assem.) which uses 77064 bridge in both upper and lower positions, the mounting holes in the upper and lower bridges thus being in line and necessitating the use of the short 1303 screws.

On contact screw bridges (assem.) using the 84367 bridge in the lower position, the longer 5446 screws are used because the mounting holes in the 84367 bridge are in such a position as to stagger the mounting holes of the upper and lower bridges, thus allowing the use of these longer screws.

Page 10

- (A) The 82084 set of parts for bell-on-blank mechanism (black gloss) includes all items listed on page 10, except items marked (B) and (C).
(B) The 88095 set of parts for bell-on-blank mechanism (walnut) includes all items listed on page 10, except items marked (A) and (C).

Page 12

- (A) G.E. Model 38367 (80553) has been superseded by G.E. Model 5SH25AB2 (80553)
G.E. Model 5SH25AB2 (80553) has been superseded by G.E. Model 5SH25AB21 (80553)
G.E. Model 5SH25AB21 (80553) has been superseded by G.E. Model 5SH25AB11 (82283)

(B) Rotor No.	Model No.	Motor No.	Rotor Stamping	Cycle
80555	38367	80553	4277621-2	60
80555	5SH25AB-2	80553	4277621-2	60
80555	5SH25AB-21	80553	4277621-2	60
82840	5SH25AB-11	82283	5052220-1	60
86617	5SH25AB-14	82714	4290072-G-5	50

NUMERICAL INDEX

M-153	Magnet - 150 ohms, 16	1168	Screw (4-40 x 5/16), 3,4,8,14	6358	Brush, 15
M-198	Magnet - 72 ohms, 3,16	1169	Screw (6-40 x 7/16), 4,5	6707	Shunt Motor - 1/20 H.P. -
33-50	Screw (4-40 Shoulder), 8	1176	Screw (6-40 x 3/16), 3,5		110 V. - D.C. (G.E. Model
33-58	Screw (6-32 x 7/16), 16	1177	Screw (4-40 x 11/32), 2		28479 or 5BY30A6), 13
33-108	Screw (4-36 x 1/8), 6	1179	Screw (6-40 x 5/8), 5,12	6708	Series Motor - 1/25 H.P. -
33-158	Screw (6-40 x 1/2), 5	1196	Screw (6-40 Shoulder), 2		110 V. - 60 Cycle A.C.
33-206	Screw (#10 Wood), 7	1206	Screw (4-40 x 9/16), 3,7,9		(G.E. Model 28478 or
33-225	Screw (6-32 x 3/16), 7	1248	Screw (6-40 x 1/2), 3,16		5BA65AA77), 13
33-276	Screw (3-48 x 5/16), 4	1253	Screw (8-32 x 3/8), 10	6709	Armature, 13
33-334	Screw (4-40 Shoulder), 4	1262	Screw (6-32 x 5/16), 4	6710	Armature, 13
33-335	Screw (1/4-32 Pilot), 5	1264	Screw (10-32 x 1/2), 5	6745	Screw (10-32 x 1/2), 3,4,
33-337	Screw (4-40 Shoulder), 8	1272	Screw (6-40 x 11/16), 13		5,6
34-1	Nut (1/4-32 Hex.), 3	1293	Screw (4-40 Special), 8	6746	Screw (6-40 x 5/16), 1,2,
34-4	Nut (10-32 Hex.), 2,14	1297	Screw (6-40 x 2-7/16), 6		3,5,6,9,13,14,16
34-11	Nut (2-56 Hex.), 11	1303	Screw (6-40 x 13/32), 4,16	6770	Disc - Bakelite, 15
34-48	Nut (6-32 Hex.), 4	2084	Roller, 2	6803	Terminal, 4
34-59	Nut (10-30 Hex.), 13	2191	Lock Washer, 1 to 10,12 to	6810	Screw (10-32 x 3/8), 10
34-64	Nut (3-48 Square), 4		16	6811	Screw (6-40 x 5/8), 3,5,
35-33	Detent Spring, 8	2201	Nut (5/16-32 Hex.), 2		6,7,15
35-137	Latch Spring, 8	2254	Washer - Brass, 6	6979	Hub, 14,15
35-140	Spring, 4	2382	Lock Washer, 2	6990	Screw (1/4-32 Pilot), 3
36-51	Shaft, 8	2438	Washer, 3,6	7001	Washer, 1
36-73	Pin, 8	2449	Lock Washer, 13	7002	Washer, 1,2,3,5,6,7,8,9
36-153	Dowel, 8	2669	Lock Washer, 3,4,5,6,10,14	7067	Collar, 7
100-84	Screw (8-40 x 2-17/32), 6	2846	Washer, 1	7096	Bushing - Bakelite, 7
103-27	Washer, 9,10	2929	Bushing - Bakelite, 6	7105	Target - 10 Spot, 15
112-7	Screw (6-56 Contact), 4	2986	Bushing - Bakelite, 6	7109	Target - 15 Spot, 15
122-97	Bushing - Bakelite, 8	3043	Resistor - 250 ohms (W.E.	7111	Target - 19 Spot, 15
122-276	Strap, 6		Co. 18-AM), 6	7158	Resistor - 500 ohms, 6
123-37	Post, 3	3094	Insulator, 6	7398	Contact Screw Plate, 7
126-123	Bushing - Rubber, 13	3288	Washer, 2	7399	Stiffener, 7
300-106	Lever Bearing - 5 Unit, 5	3432	Wire Terminal, 4	7485	End Ring Governor (Assem.)
300-107	Contact Screw Bridge (Assem.)	3438	Washer, 5,6,14		(for 3/8" Motor Shaft), 15
	- 5 Unit, 4	3598	Nut (6-40 Hex.), 2,6,7,10	7661	Adjusting Lever, 13
300-108	Bridge - 5 Unit, 4	3599	Nut (4-40 Hex.), 8	7704	Target - 8 Spot, 15
300-109	Bridge - 5 Unit, 4	3618	Insulator, 8	7705	Target - 9 Spot, 15
300-110	Insulator, 4	3620	Washer - Fibre, 6	7826	Channel - Rubber, 11
300-113	Tip - Brass, 4	3624	Washer, 8	8094	Brush (with Spring), 13
300-121	Lever Shaft - 5 Unit, 5	3628	Outlet - Bakelite, 7	8165	Washer, 15
300-128	Feed Lever, 4	3640	Lock Washer, 3,6,8,9,10,15	8222	Wearing Strip, 13
300-137	Lever Guide - 5 Unit, 5	3646	Lock Washer, 6,7,10	8308	Cable Clamp, 7
300-152	Adjusting Lever, 8	3649	Washer, 5,16	8330	Washer, 2,3,13
300-170	Lever #1 (with Armature), 8	3650	Washer, 7	8425	Target - 7 Spot, 15
300-171	Lever #2 (with Armature), 8	4293	Insulator, 7	8491	Wearing Strip, 8
300-172	Lever #3 (with Armature), 8	4703	Spring - Stop Arm, 3,6	8539	Screw (6-40 x 1/2),
300-173	Lever #4 (with Armature), 8	4707	Washer, 4		1,2,3,5,7,8,14
300-174	Lever #5 (with Armature), 8	4708	Spring, 4	8543	Screw (6-40 x 1/4), 7
300-178	Spring Anchor, 4	4814	Lock Washer, 2	8669	Screw (6-40 Shoulder), 7
300-179	Terminal Block - 5 Unit, 4	4871	Bolt (with 70867 Nut), 6	8896	Shim, 3,16
300-181	Feed Pawl, 4	5061	Ball Bearing, 13	9520	Terminal Block (Assem.)
300-201	Bracket - Right, 5	5446	Screw (6-40 x 9/16), 4,16		- 5 Unit, 4
300-301	Top Plate (with Wearing	5475	Nut (3/16-40 Hex.), 7	32464	Nut (5-40 Hex.), 3
	Strip) - 5 Unit, 8	5555	Transmitter Cover (5 Unit)	41382	Spring, 9
			Black Gloss, 11	41675	Washer, 6
300-302	Feed Roll, 8	5566	Collar, 7	41732	Clamp Plate, 3,6,7,9,10,14
300-303	Feed Roll Bearing, 8	5599	Nut (8-32 Hex.), 7	41733	Insulator, 3,7,9,10,14
300-312	Detent Bracket, 8	5740	Screw (2-56 x 1/4), 8	42823	Washer, 4
300-314	Detent (Assem.), 8	6035	Screw (1/4-20 x 5/8), 1	55669	Spring, 3
300-315	Detent Lever, 8	6301	Governor Cover, 15	58221	Screw (6-32 x 1/4
300-316	Detent Roller, 8	6305	Governor Brush (Assem.), 15		Terminal), 4
300-319	Lid Holder, 8	6306	Brush Holder, 15	62135	Screw (6-32 x 5/8), 7
300-320	Shaft, 8	6311	Ring - Bakelite, 15	70361	Resistance Unit (Assem.)
300-322	Latch, 8	6314	Contact Spring (Assem.), 15		250-500-1000 ohms, 6
300-400	Bracket - Left, 5	6318	Contact Spring Clamp, 15	70707	Bracket, 6
300-510	Terminal, 4	6319	Block, 15	70722	Resistor - 500 ohms, 6
400-3	Brush - Braided Copper	6320	Screw (6-32 Contact), 15	70724	Insulator, 6
	Wire, 3	6323	Spring, 15	70771	Oiler, 13
400-218	Terminal, 2	6324	Adjusting Wheel, 15	70823	Screw (6-32 x 1 Flat
1026	Screw (6-40 x 3/8), 3,4	6330	Bearing (Assem.), 15		Head), 6
1028	Screw (4-40 x 1/4), 3,6	6333	Terminal, 15	70872	Brush (with Insulator), 13
1050	Screw (6-40 x 7/32), 7	6339	Inner Governor Ring (with	70873	Brush Holder Cap, 13
1051	Screw (4-40 x 1/2), 3,6		Terminal), 15	70887	Nut (3/16-24 Hex.), 6
1064	Screw (6-32 x 1/4), 15	6340	Outer Governor Ring (with	71155	Screw (6-32 x 1-1/4), 6
1086	Screw (4-40 x 3/8), 8		Terminal), 15	71189	Retainer - Copper, 13
1093	Screw (8-32 x 7/16), 7	6341	Bushing - Bakelite, 15	71672	Cable Clamp, 7
1100	Screw (1/4-32 Pilot), 13	6342	Wire, 15	71998	Brush Holder Ring (with
1103	Screw (3/16-40 Shoulder), 2,7	6344	Screw (6-32 x 11/32), 15		80706 Screw), 13
1159	Screw (4-40 x 3/8), 6,8,9	6345	Nut (6-32 Hex.), 15	71999	Spring, 13
1160	Screw (6-40 x 5/16), 5	6347	Screw (6-32 x 3/8), 15	72069	Shim, 8
1162	Screw (4-40 x 1/4), 8,10	6354	Brush Cap, 15	72074	Brace, 4
1163	Screw (4-40 x .188), 8	6357	Spring, 15	72137	Shim, 8
1164	Screw (2-56 x 3/16), 5				

72138	Retaining Lid - 5 Unit, 8	77046	Mounting Strip, 7	79013	Washer, 10
72139	Screw Plate, 8	77048	Bushing - Bakelite, 3	80163	Gear - 45T, 2
72140	Lid Plate - 5 Unit, 8	77049	Operating Lever, 2	80164	Pinion - 6T, 2
72183	Bridge - Short, 4	77050	Arm, 8	80165	Gear - 44T, 2
72184	Bridge - Long, 4	77051	Spring Post, 3	80166	Pinion - 9T, 2
72185	Contact Screw Bridge (Assem.) - 5 Unit, 4	77052	Auto-Stop Lever, 3	80287	Spring Post, 10
72508	Screw (6-40 x 3/4), 7	77053	Auto-Stop Shaft, 3	80299	End Play Spring, 12
72566	Resistor (100-100 ohms), 6	77054	Contact Spring Post, 3	80300	Switch, 12
72579	Washer, 2	77056	Mounting Strip, 4	80302	Centrifugal Mechanism, 12
72586	Shunt Motor - 1/17 H.P. - 110 V. - D.C. (G.E. Model 31531 or 5BY30A3), 13	77057	Brush Holder, 3	80303	Fan, 12
72587	Armature, 13	77058	Cam Hub, 2	80305	Washer - Fibre, 12
72644	Ball Bearing, 2	77060	Collar, 3	80307	Bracket (with Bushing), 12
72665	Target - 23 Spot, 15	77061	Pinion - 9T, 2	80308	Bushing - Fibre, 12
72835	Contact Point, 15	77062	Gear - 39T, 2	80309	Washer - Felt, 12
72954	Tape Guide - 6 Unit, 8	77063	Stop Post, 3	80310	Washer - Felt, 12
72973	Lid Plate - 6 Unit, 8	77064	Bridge - 6 Unit, 4,16	80311	Washer - Cup, 12
72974	Retaining Lid - 6 Unit, 8	77066	Rail - Right, 7	80312	Washer, 12,13
73180	Toggle Switch (Assem.), 1	77068	Base Plate, 5	80313	Washer, 12
73231	Retainer - Steel, 13	77070	Disc (Assem.), 2	80335	Plate, 14
73232	Washer - Felt, 13	77073	Disc (Assem.), 2	80336	Insulator, 14
73236	Field Frame (with Oiler), 13	77074	Cam, 16	80351	Screw (8-36 x 3/16), 12
73237	End Shield (with Oiler), 13	77077	Base - Black Gloss, 1	80352	Center Contact Governor (Assem.) (with Hub for 3/8" Motor Shaft), 14
73238	Field Core, 13	77079	Tape Stop (Assem.), 3	80353	Spring, 12
73239	Field Coil, 13	77080	Slip Connection Strip (Assem.), 4	80355	Screw (4-48 x 7/16), 12
73240	Field Core, 13	77082	Bracket, 3	80356	Washer - 1/32", 12
73241	Field Coil, 13	77086	Transmitter Snap Panel - Black Gloss, 11	80357	Screw (4-48 x 1/4), 12
73242	Insulation (for One Field Coil), 13	77090	Armature, 16	80358	Ball Bearing, 12
73243	Locking Wedge, 13	77091	Distributor Cover - Black Gloss, 11	80444	Screw (6-40 x 1/4), 7
73244	Screw (10-30 x 7/8), 13	77115	Terminal Block (Assem.) - 6 Unit, 4	80467	Screw (6-40 x 3/8), 3
73357	Terminal End (Assem.), 6	77116	Contact Screw Bridge (Assem.) - 6 Unit, 4	80508	Screw (4-40 x 25/32), 10
73376	Target - 5 Spot, 15	77121	Top Plate (with Wearing Strip) - 6 Unit, 8	80530	Washer - 3/64", 12
73377	Target - 6 Spot, 15	77123	Connection Spring - Upper, 7	80531	Washer - 1/64", 12
73595	Rod, 13	77124	Connection Spring - Lower, 7	80553	Synchronous Motor 1/50 H.P. - 110 V. - A.C. - 60 Cycle, 16
73644	Shunt Motor - 1/17 H.P. - 220 V. - D.C. (G.E. Model 33373), 13	77125	Mounting Strip (Assem.), 7	80554	Wound Stator (with Base), 12
73645	Armature, 13	77126	Cable - Power, 1	80555	Rotor (Assem.), 12,16
74059	Screw (6-40 x 7/32), 3	77127	Rail - Left, 7	80556	Rotor (Assem.) (with Bearings and Switch) (for Models 38367, 5SH25AB2 and 5SH25AB21), 12
74569	Terminal Block, 4	77128	Washer - Fibre, 6	80557	End Shield (with Oiler), 12
74727	Terminal, 3,10	77129	Terminal, 4	80558	End Shield (with Oiler), 12
74728	Terminal, 6,7,14	77130	Guard, 1	80559	Stud, 12
74757	Guard, 6	77135	Cable - Control, 1	80561	Washer, 12
74838	Bearing Cap, 3	77136	Cable - Line, 1	80592	Contact Spring, 10
74962	Spring, 10	77138	Shaft (with Hub), 2	80706	Screw (6-40 x 3/16), 13
75750	Washer - Bakelite, 6	77140	Nut (9/16-32 Special), 2	80730	Transmitter Cover (5 Unit) Walnut, 11
76086	Friction Spring, 2	77141	Eccentric Stop, 16	80731	Distributor Cover - Walnut, 11
76114	Screw (10-32 x 9/16), 2	77142	Bail, 8	80732	Transmitter Snap Panel - Walnut, 11
76217	Bracket, 6	77143	Bail (Assem.) - 5 Unit, 8	80754	Oiler, 12
76246	Bushing - Bakelite, 3,7,9	77144	Bail (Assem.) - 6 Unit, 8	80925	B/X Connector, 7
76277	Eccentric Stop, 7	77145	Wearing Strip, 8	80938	Pinion - 5T, 2
76284	Strap (Assem.), 6	77146	Wearing Strip, 8	80939	Gear - 40T, 2
76333	Bushing - Bakelite, 10	77147	Transmitter Cover (6 Unit) Black Gloss, 11	80957	Screw (4-40 x 1/4), 3
76465	Bushing - Bakelite, 7	77597	Mounting Plate, 7	81726	Terminal, 9
76484	Fan, 12	77598	Transmitter Distributor Mounting Plate (Assem.) Black Gloss, 7	81731	Spring, 3,8
77001	Stop Arm, 3	77625	Slip Connection Guard, 7	81778	Screw (4-40 x 3/16), 7
77004	Bracket - 5 Unit, 5	78011	Condenser (1 M.F.) 2	81819	Retard Coil, 6
77007	Lever #0 (with Armature) - 6 Unit, 8	78025	Terminal, 6	81822	Retard Coil (W.E.Co. 67-F), 6
77010	Feed Lever, 4	78205	Screw (4-48 x 7/32), 12,13	81823	Screw (4-40 x 1-3/32), 6
77011	Lever Bearing - 6 Unit, 5	78206	Resistor - 300 ohms, 6	81824	Nut (4-40 Hex.), 6
77012	Nut (9/16-32 Special), 2	78398	Resistance Unit (Assem.) 150-300-600 ohms, 6	81825	Condenser - 1/100 M.F. (W.E.Co. 152-C), 6
77013	Lever Guide - 6 Unit, 5	78399	Bushing - Bakelite, 14	82084	Set of Parts for Bell-on- Blank Mechanism - Black Gloss, 10,16
77014	Bail, 8	78400	Spring (with Brush), 14	82092	Lever Latch, 10
77015	Lever Shaft - 6 Unit, 5	78403	Spring (with Brush), 14	82093	Operating Lever, 10
77016	Terminal Block - 6 Unit, 4	78437	Contact Brush, 14	82094	Bracket, 10
77017	Transmitter Plate - 6 Unit, 5	78438	Insulator, 14	82095	Bracket, 10
77018	Friction Disc, 2	78439	Bushing - Bakelite, 14	82096	Contact Spring, 10
77019	Friction Washer, 2	78443	Governor Shell, 14	82097	Contact Spring, 10
77020	Bearing Cover, 2	78451	Outer Contact Disc, 14	82098	Nut (10-32 Special), 10
77021	Bracket, 3	78479	Governor Cover, 14	82099	Post, 10
77022	Bracket - 6 Unit, 5	78480	Field Core, 13	82100	Bracket, 10
77024	Clamp Plate, 3	78496	Field Coil, 13	82101	Transmitter Snap Panel - Black Gloss, 10
77028	Brush Holder Bracket, 1	78497	Outer Disc Contact Spring, 14		
77030	Contact Tongue, 8	78596	Inner Disc Contact Spring, 14		
77031	Bracket, 7	79012	Washer, 7		
77033	Tape Guide - 5 Unit, 8		Washer - Fibre, 10		
77034	Pinion - 7T, 2				
77035	Bracket, 3				
77036	Gear - 40T, 2				
77040	Contact Spring, 3,7				
77042	Disc (Assem.), 2				

82102	Cable - Control, 1,10	84892	Stiffener, 9	91505	Gear - 54T, 2
82103	Break Relay (Assem.) (with 99257 Contact Spring) (Assem.), 10	86194	Screw (8-40 x 4-1/16), 6	91617	Shim, 13
82249	Washer, 2	86195	Resistor - 1500 ohms, 6,16	91683	Nut (15/32-32 Hex.), 1
82283	Synchronous Motor 1/40 H.P., 110 V., 60 Cycle, A.C. (G.E. Model 5SH25AB11), 12,16	86615	Rotor (Assem.) (with Bearings and Switch), 12	91704	Pinion - 9T, 2
82378	Set of Parts for D.C. Governor Spark Protection, 6	86616	Spring, 12	91705	Gear - 35T, 2
82391	Condenser (1/2-1/2 M.F.) 3 Terminal, 6	86617	Rotor (Assem.), 12,16	91739	Insulating Strip, 4
82474	Terminal, 6,12,13	86713	Screw (4-48 x 5/16), 12	91837	Washer - Fibre, 13
82547	Insulator, 6	86714	Washer - .006", 12	92171	Bracket, 5
82548	Insulator, 6	86731	Cable - Filter Unit, 6	92217	Filter (Assem.) (W.E. Co. 80-B), 5
82626	Resistor - 20 ohms, 6	86811	Guard, 1	92226	Transmitting Brush Radio Filter (Assem.),5
82714	Synchronous Motor 1/40 H.P., 110 V., 50 Cycle, A.C. (G.E. Model 5SH25AB14), 12,16	86812	Bracket, 14	93009	Brush - Carbon Contact, 3
82728	Name Plate, 11	86815	Brush Holder Arm, 3,16	93012	Transmitter Cover (5 Unit) Black Wrinkle, 11
82729	Name Plate, 11	86816	Eccentric Stop, 3,16	93013	Transmitter Snap Panel - Black Wrinkle, 10
82839	Rotor (Assem.) (with Bearings and Switch), 12	86819	Collar, 3,16	93075	Nut (15/32-32 Ring), 1
82840	Rotor (Assem.), 12,16	86852	Plate, 14	95174	Transmitter Cover (5 Unit) Stainless Steel, 11
82841	Switch Commutator, 12	86853	Governor Contact Bracket (Assem.), 14	95953	Shim, 9
82843	Spring, 12	86868	Bushing - Bakelite, 15	95954	Screw Plate, 9
82845	Washer, 12	86869	Post, 15	95955	Lid Plate, 9
82848	Brush Holder (with Brush), 12	86951	Resistor - 525 ohms (175-350), 3,6,16	95957	Transmitter Snap Panel - Black Wrinkle, 11
82850	End Shield (with Oiler), 12	86953	Contact Bracket, 6	96258-R	Strap, 9
83844	Set of Parts for A.C. Governor Spark Protection, 6	86955	Contact Spring, 6	96883	Terminal, 4
83910	Base - Walnut, 1	86958	Contact Spring, 6	97445	Retaining Lid, 9
83974	Filter Unit (Assem.), 6	86959	Bushing - Bakelite, 6	97446	Bracket, 9
83975	Bracket, 6	86960	Stop Arm Contact (Assem.),6	97447	Contact Pin, 9
84047	Stop, 13	87371	Pinion - 6T, 2	97448	Contact Pin Guide, 9
84054	Connection Spring - Lower, 7	87372	Gear - 34T, 2	97467	Tape-Out Contact (Assem.), 9
84055	Connection Spring - Upper, 7	87390	Set of Parts for Universal Release Magnet, 3	97468	Tape Guide Plate, 9
84056	Stiffener, 7	87469	Cable - Power, 1,6	97720	Contact Spring - Bottom, 9
84057	Terminal, 7	87636	Screw (2-56 x 3/16), 11	97721	Contact Spring - Top, 9
84058	Cover Plate, 7	87683	Cable - Motor Switch, 1	98069	Tape Guide Wire, 9
84114	Yoke, 3,16	88094	Transmitter Snap Panel - Walnut, 10	99230	Lid Plate, 9
84115	Armature - Universal, 3,16	88095	Set of Parts for Bell-on- Blank Mechanism - Walnut, 10,16	99257	Contact Spring (Assem.), 10
84131	Plate, 7	88802	Screw (6-32 x 1-1/16 Flat Head), 6	99406	Pinion - 7T, 2
84132	Operating Arm, 7	89405	Spacer, 12	99407	Gear - 42T, 2
84133	Rod, 7	89406	Washer, 12	101274	Tape Stop Rod, 9
84134	Contact Bracket, 7	89407	Cotter Pin, 12	101439	Feed Lever Stop, 5,16
84135	Cover - Walnut, 7	89481	Shaft, 3	101441	Cam, 2,16
84136	Tape Stop Switch (Assem.), 7	89482	Collar, 3		
84139	Gear - 49T, 2	89483	Rod, 3		
84140	Pinion - 9T, 2	89484	Clamp, 3		
84141	Gear - 42T, 2	89485	Set of Parts for Convert- ing Old Style Tape Stop Mechanism, 3		
84142	Pinion - 9T, 2	89925	Terminal End, 6		
84347	Disc (Assem.), 2	90263	Wound Stator (with Base), 12		
84352	Terminal Strap - Black, 4	91041	Wound Stator (with Base), 12		
84353	Terminal Strap - Brown, 4	91224	Distributor Cover - Black Wrinkle, 11		
84367	Bridge - 6 Unit, 4,16	91226	Cable - Control, 1		
84550	Screw (6-40 Shoulder), 10	91227	Cable - Line, 1		
84552	Transmitter Cover (6 Unit) Walnut, 11	91504	Pinion - 10T, 2		
84579	Washer, 2				
84759	Gear Guard, 8				

	<u>Page</u>
Set of Parts for Universal Release Magnet (110 V., A.C. or D.C.)	3
Slip Connection Strip (Assem.)	4
Snap Panels.	10,11
Stop Arm Contact (Assem.)	6
Straps	4,6
Synchronous Motors	12
Tape Contact Levers.	8
Tape-Out Contact (Assem.)	9
Tape Stop Mechanism (New and Old Style).	3
Tape Stop Switch (Assem.)	7
Targets.	15
Terminal Block (Assem.)	4
Toggle Switch.	1
Top Plate (Assem.)	8
Transmitting Brush Radio Filter (Assem.)	5