

Bulletin No. 1080

Issue 1

January, 1942

TELETYPE

PRINTING TELEGRAPH SYSTEMS

Book 8

PARTS

SINGLE MAGNET REPERFORATOR
(MODEL 14 NON-TYPING)

BOOK-8
BIAS WINDING-136-2-PP 317.1
LINE CORDS

TELETYPE

CORPORATION

SUBSIDIARY OF

Western Electric Company

CHICAGO, U.S.A.

Bulletin No. 1080
Issue 1
January, 1942

TELETYPE

PRINTING TELEGRAPH SYSTEMS

PARTS
SINGLE MAGNET REPERFORATOR
(MODEL 14 NON-TYPING)



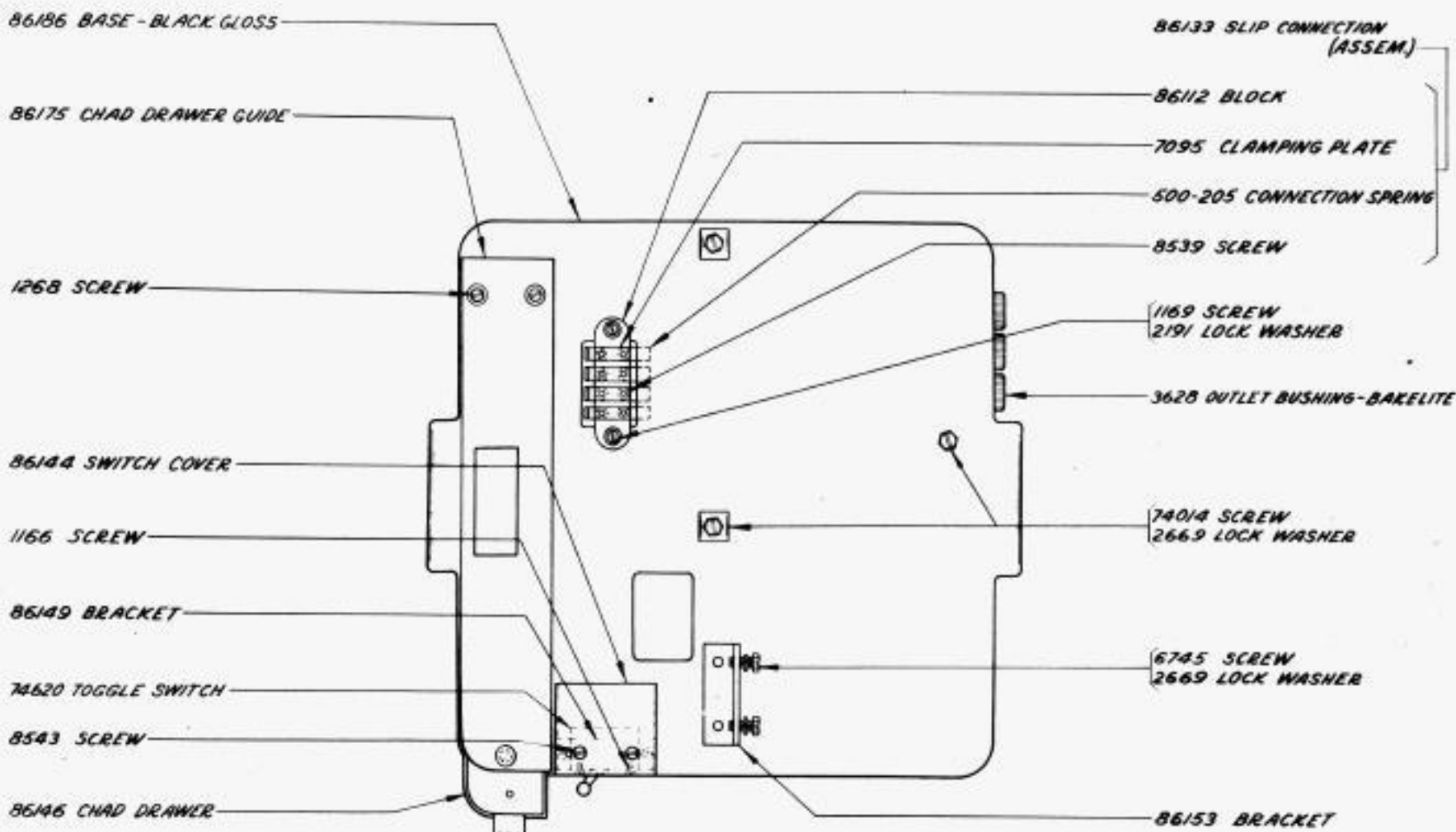
CORPORATION
SUBSIDIARY OF
Western Electric Company
CHICAGO, U.S.A.

ALPHABETICAL INDEX

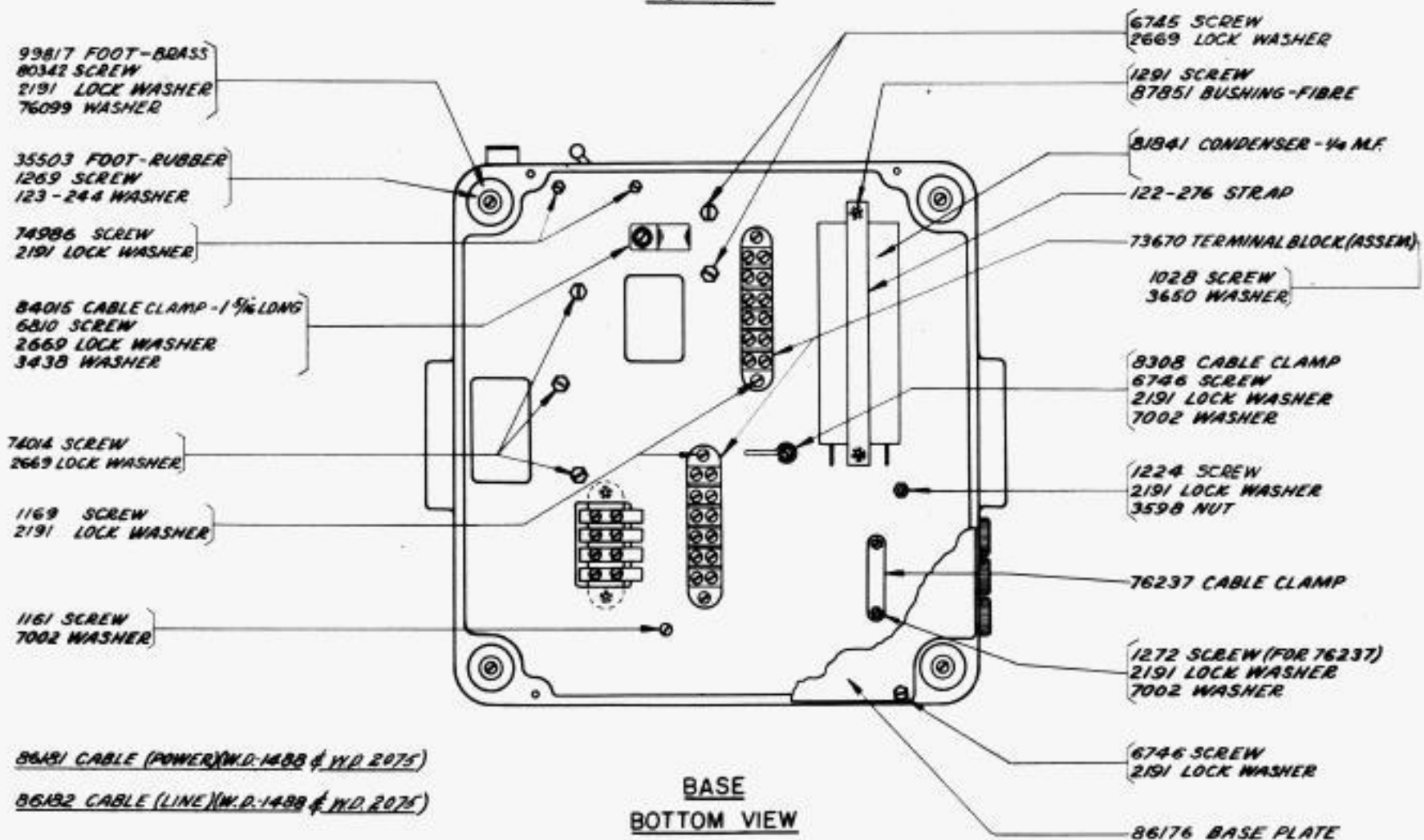
	<u>Page</u>
Base - Top and Bottom Views	1
Base Plate	1
Cables	1,10
Cable Clamps	1
Cam Sleeve	2
Center Contact Governor (Assem.)	11
Chad Chutes	2,5
Chad Drawer	1
Clutch Throwout Lever	2
Condensers	1,7
Connecting Block (Assem.)	7
Cords - Line and Power	6
Covers	8
Filter Unit	7
Frame	2
Gears	12
Governor Brush and Speed Adjusting Bracket (Assem.)	11
Governor Parts	11
Lamp	8
Line and Selector Circuit Jack	6
Line Cords (Assem.)	6
Line Relay Radio Filter (Assem.)	7
Magnet	3
Main Shaft (Assem.)	2
Motors - Governed	10
Motors - Synchronous	9
Name Plates	8
Notes of Explanation	12
Numerical Index	13
Pad - Base	1
Pinions	12
Plugs - Cords	6
Power Cords (Assem.)	6
Punch Arm	2
Punch Block (Assem.)	4
Punch Unit	5
Radio Filter	7
Range Scale (Assem.)	4
Resistors	6,7
Resistor Units (Assem.)	7

ALPHABETICAL INDEX

	<u>Page</u>
Selector Unit (Assem.)	3
Slip Connection (Assem.)	1
Tape Reel Parts	8
Target	12
Target Lamp (Assem.)	8
Terminal Blocks	1,9,10
Toggle Switches	1,8
Tuning Fork	12

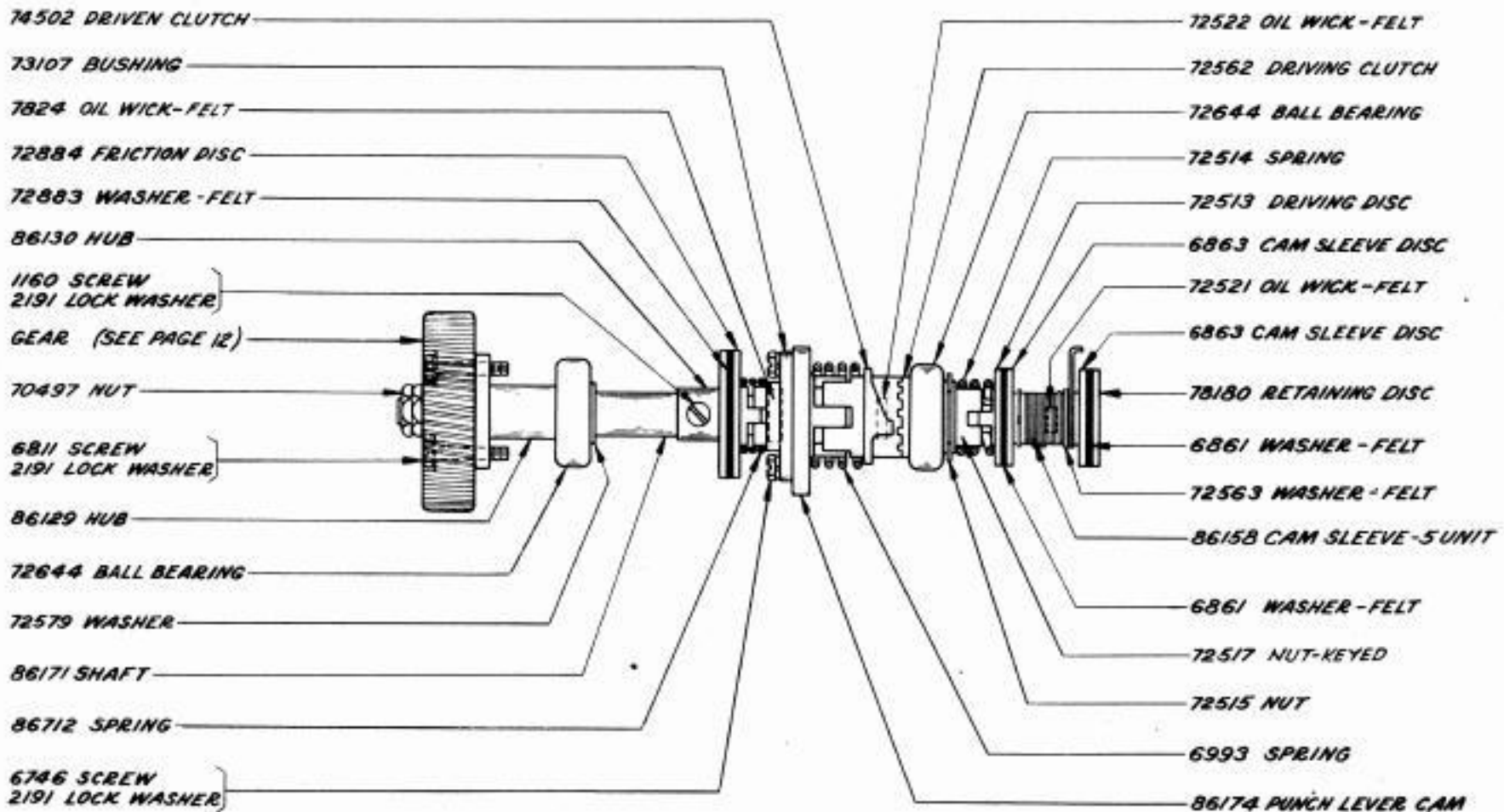
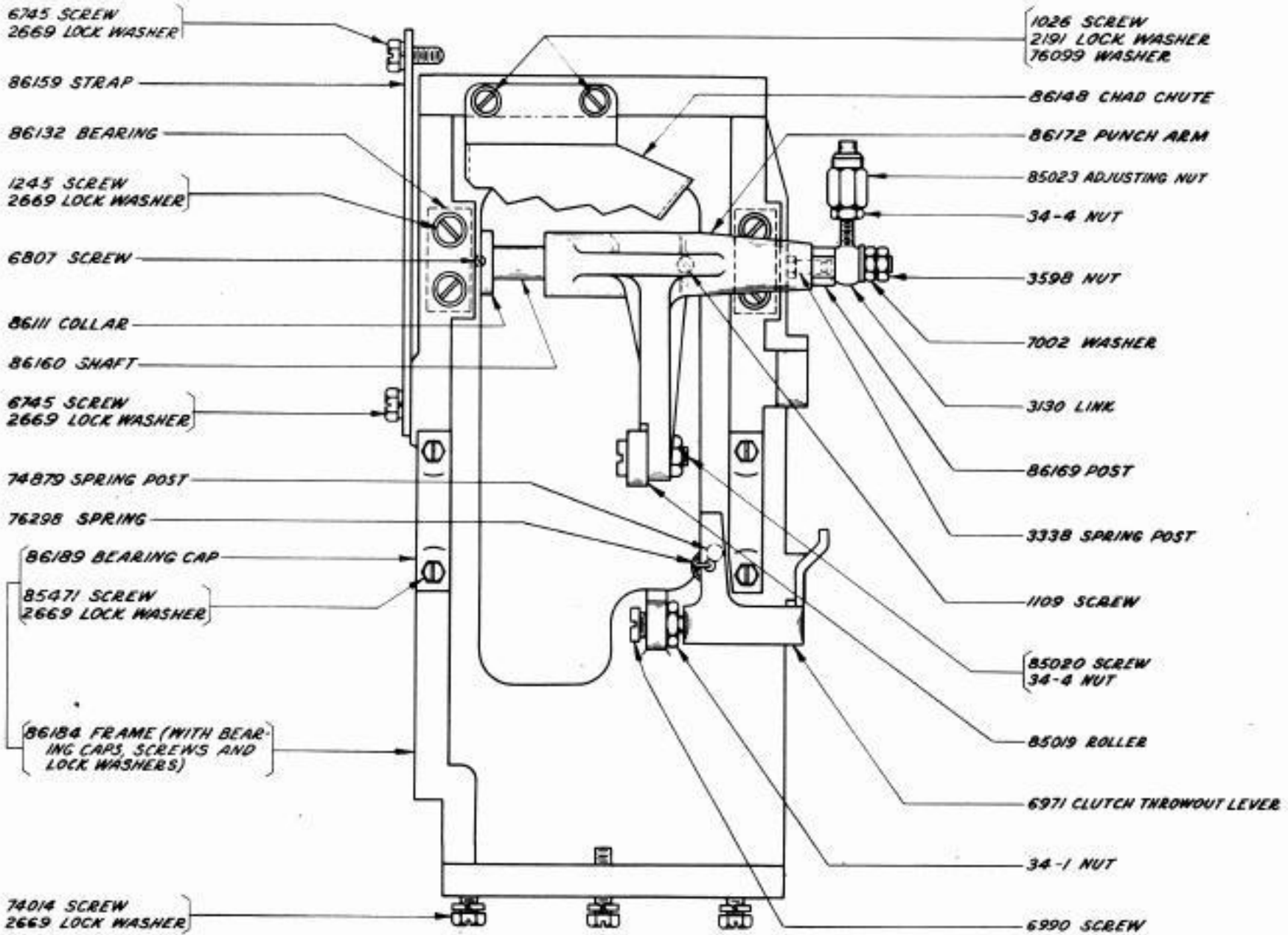


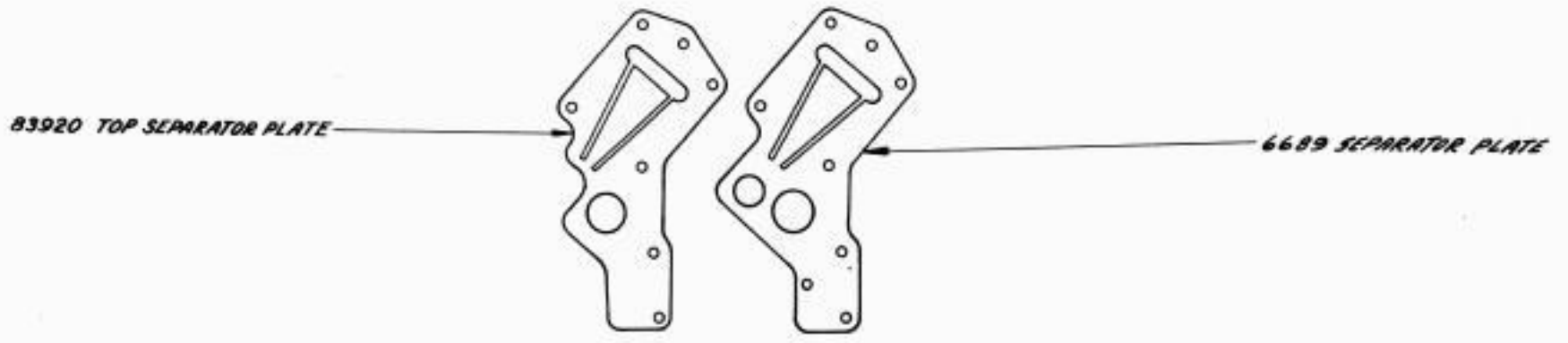
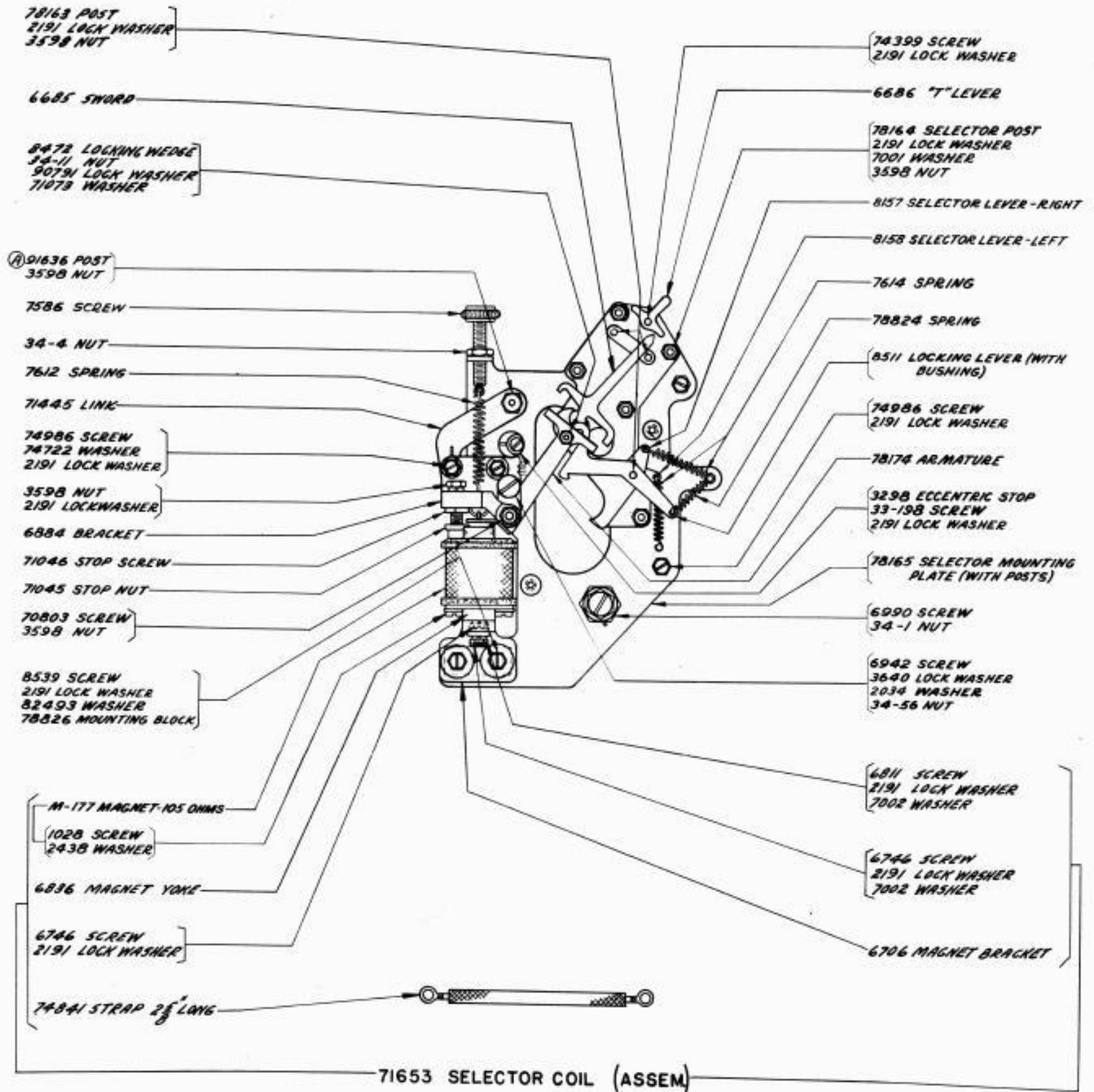
**BASE
TOP VIEW**



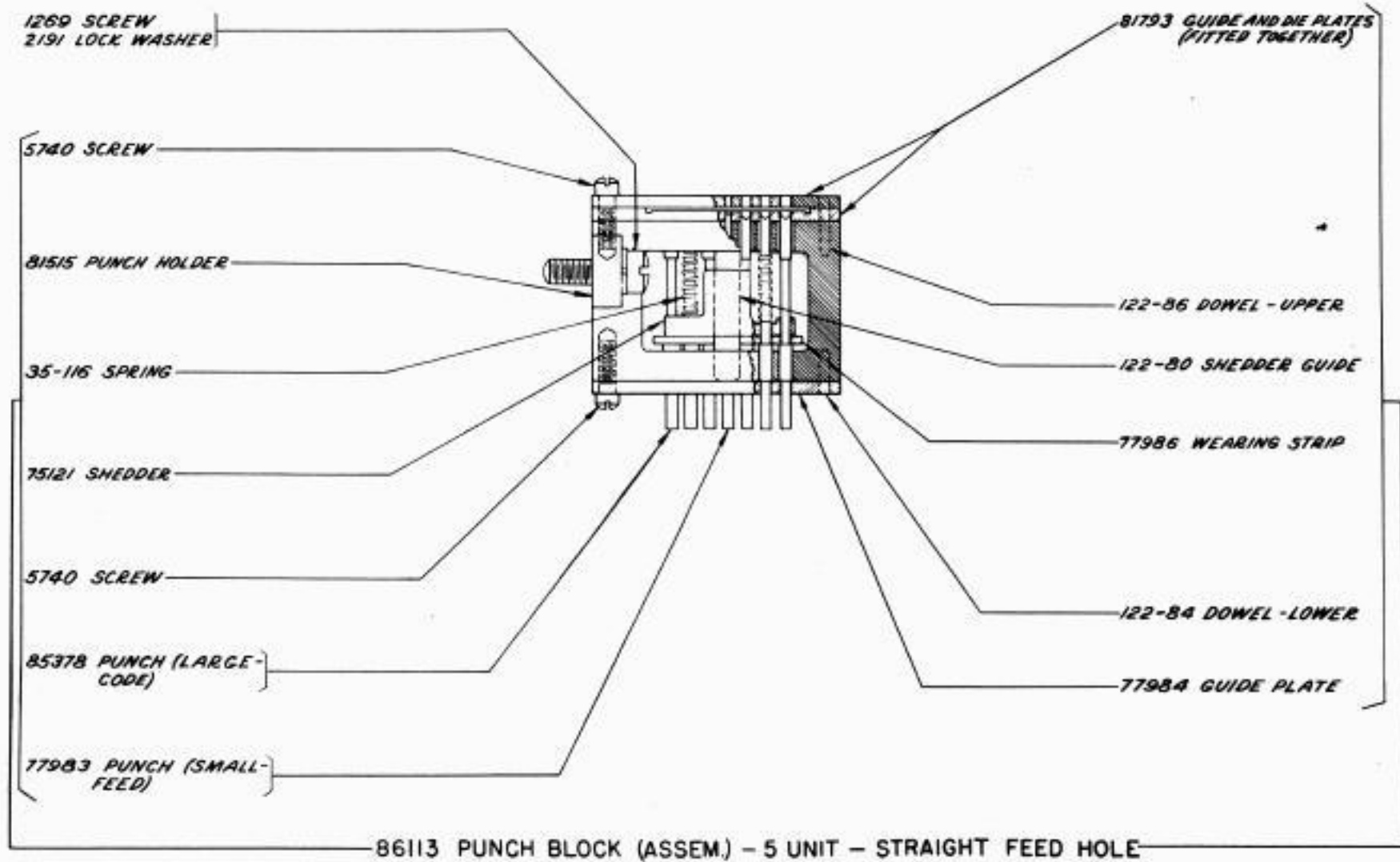
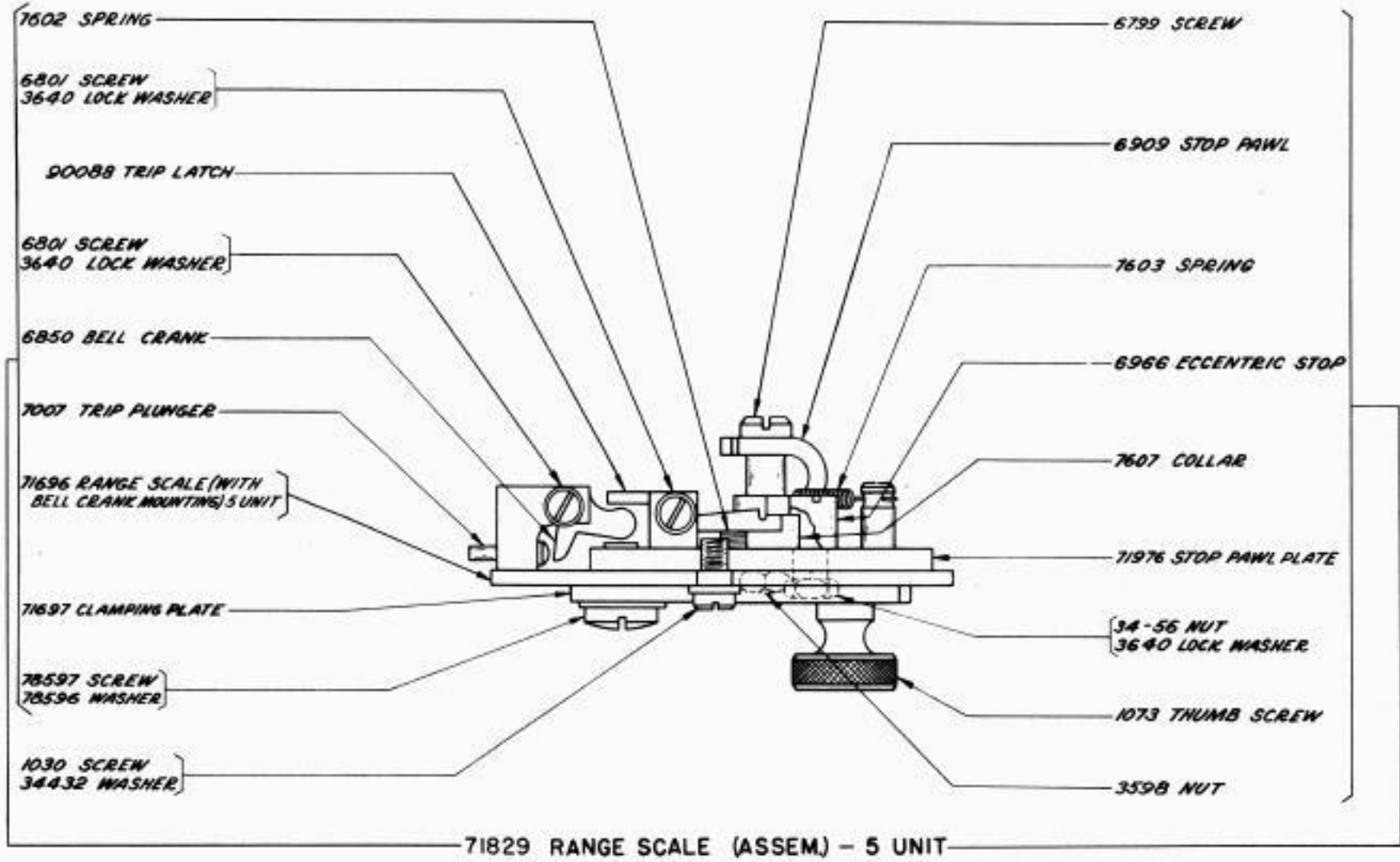
**BASE
BOTTOM VIEW**

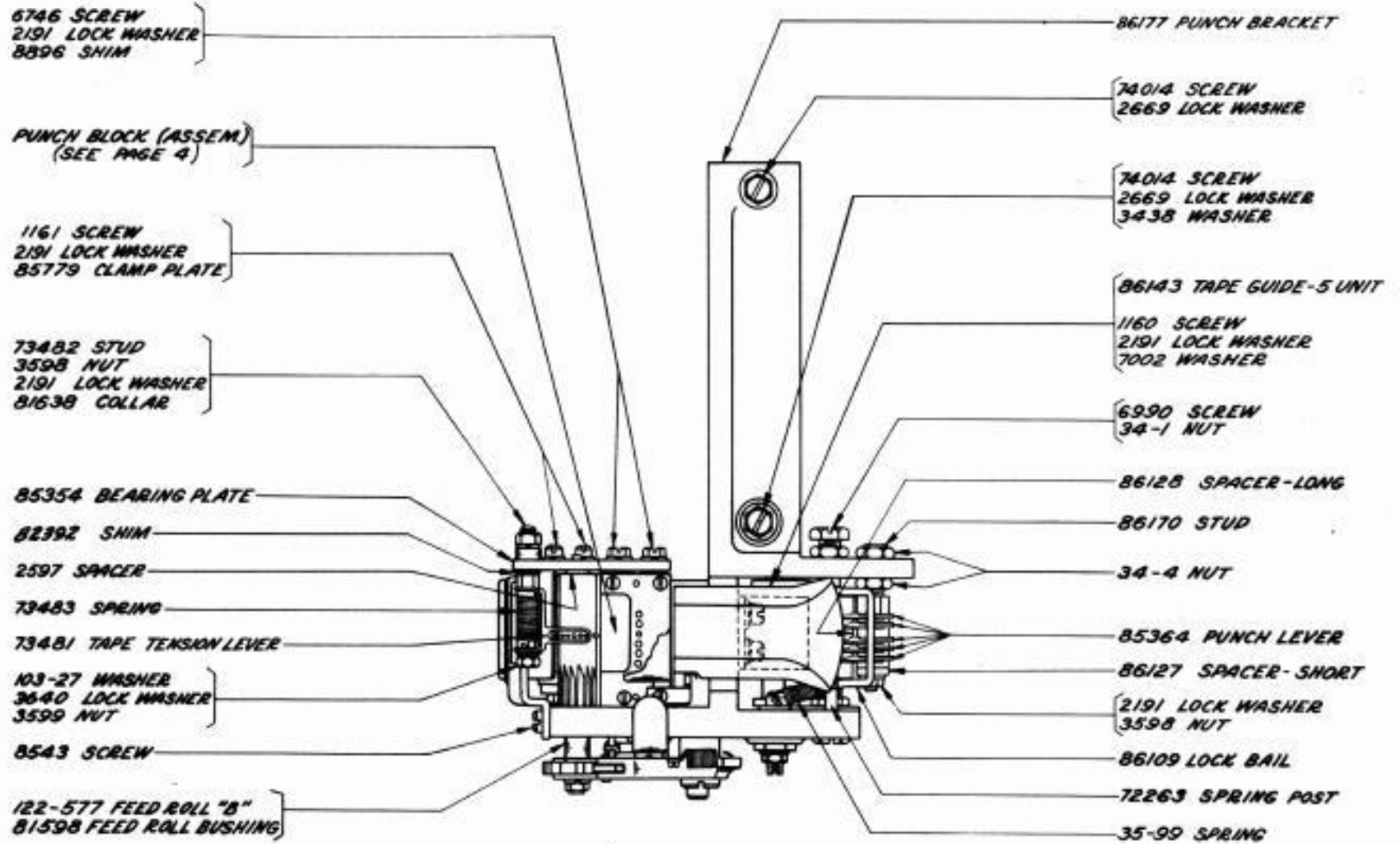
86166 PAD-FELT



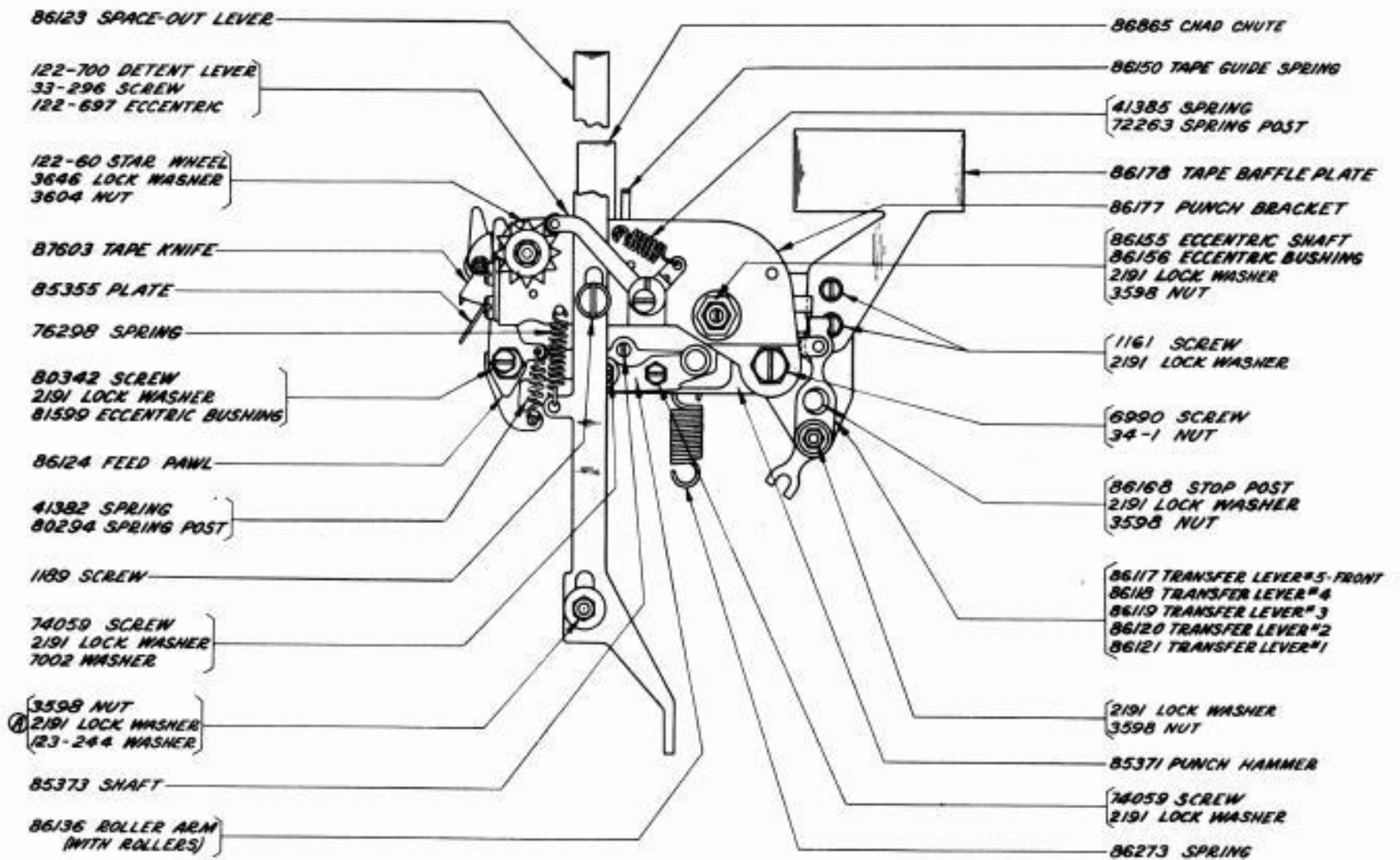


(A) SEE PAGE 12 FOR EXPLANATION



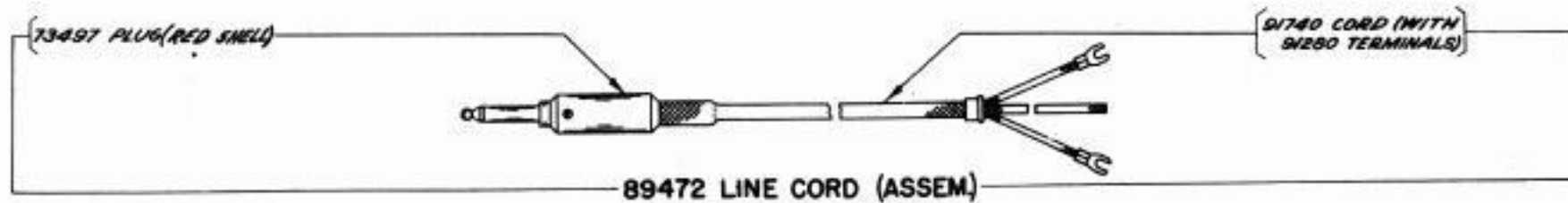
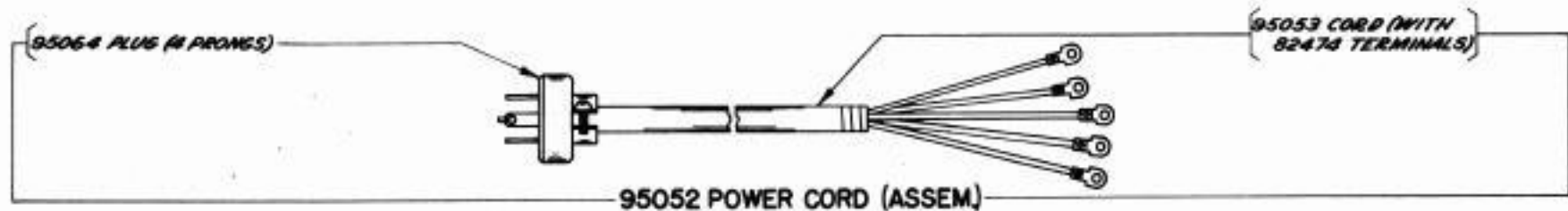
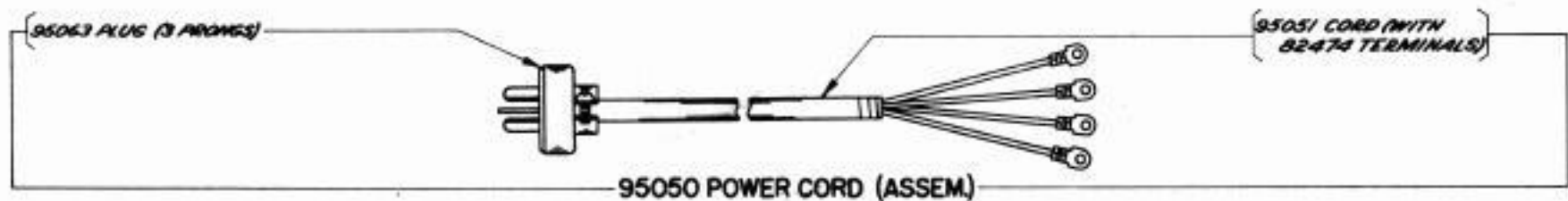
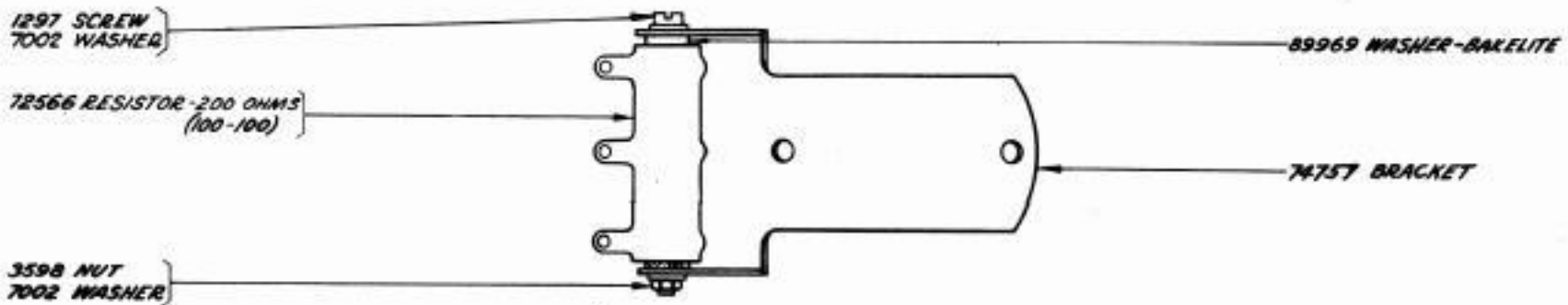
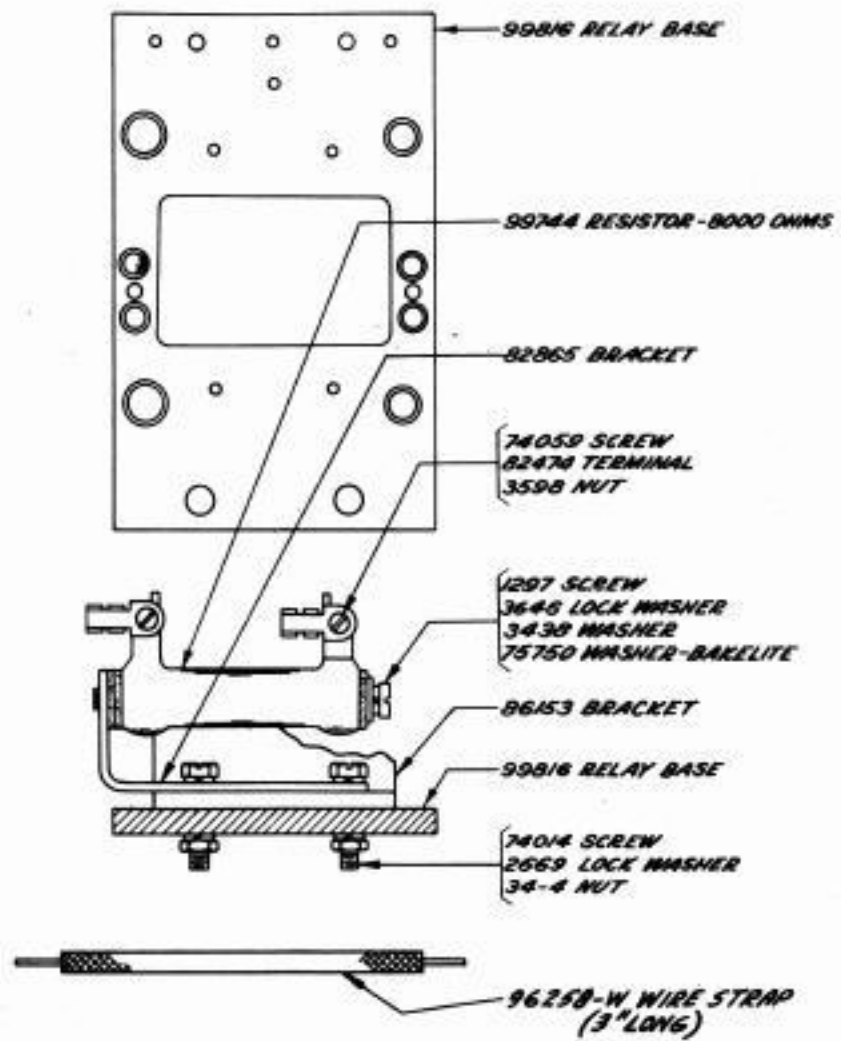
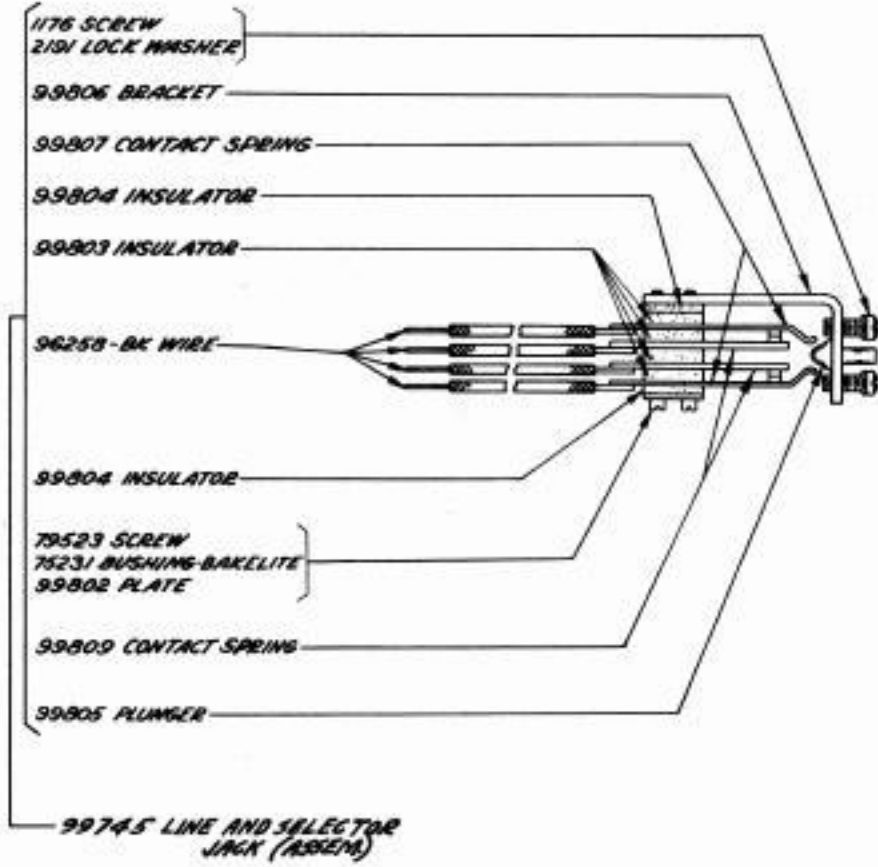


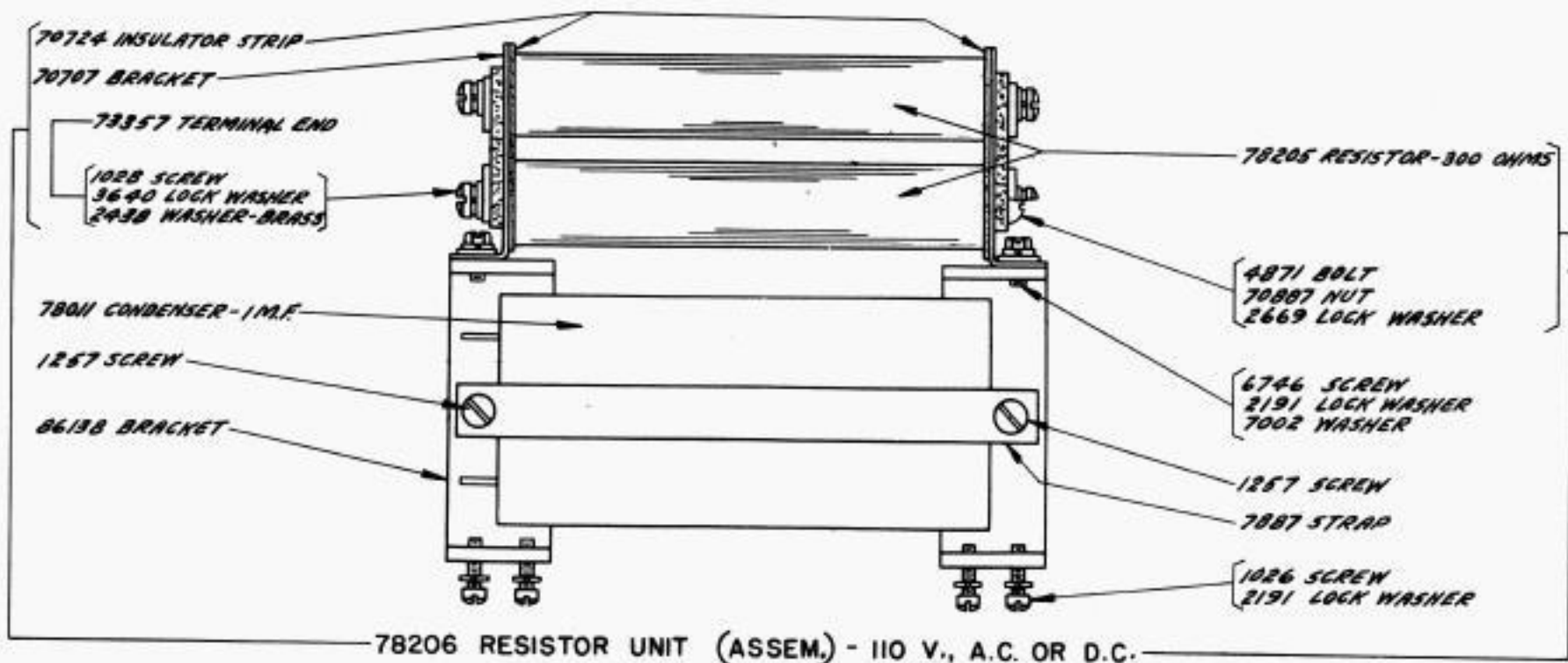
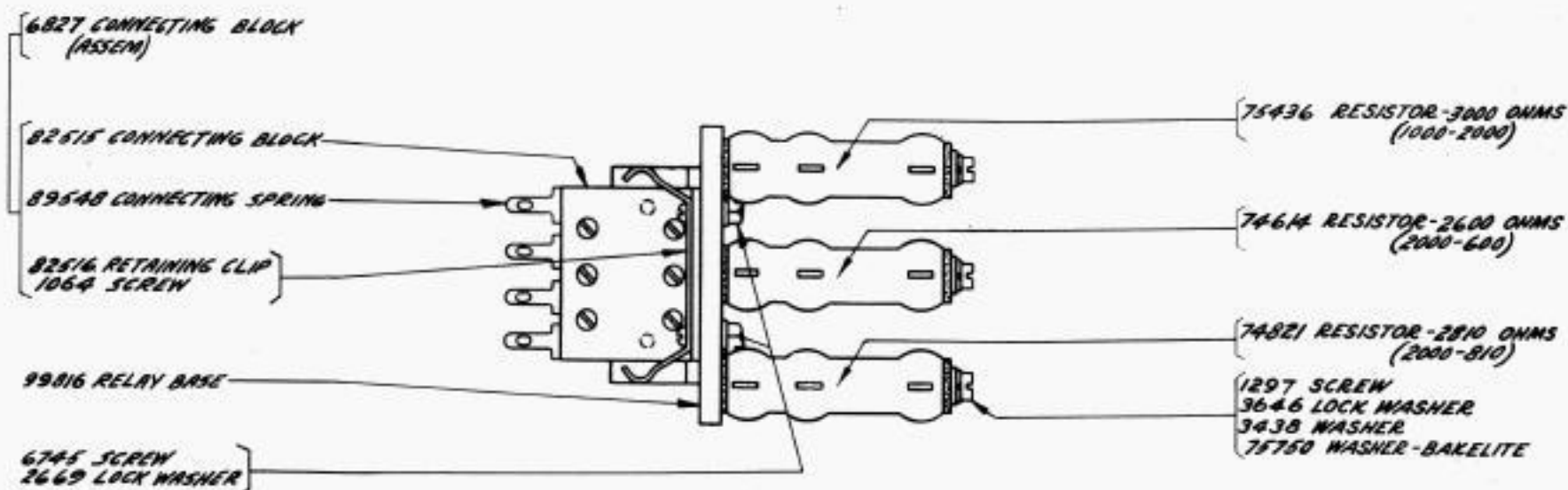
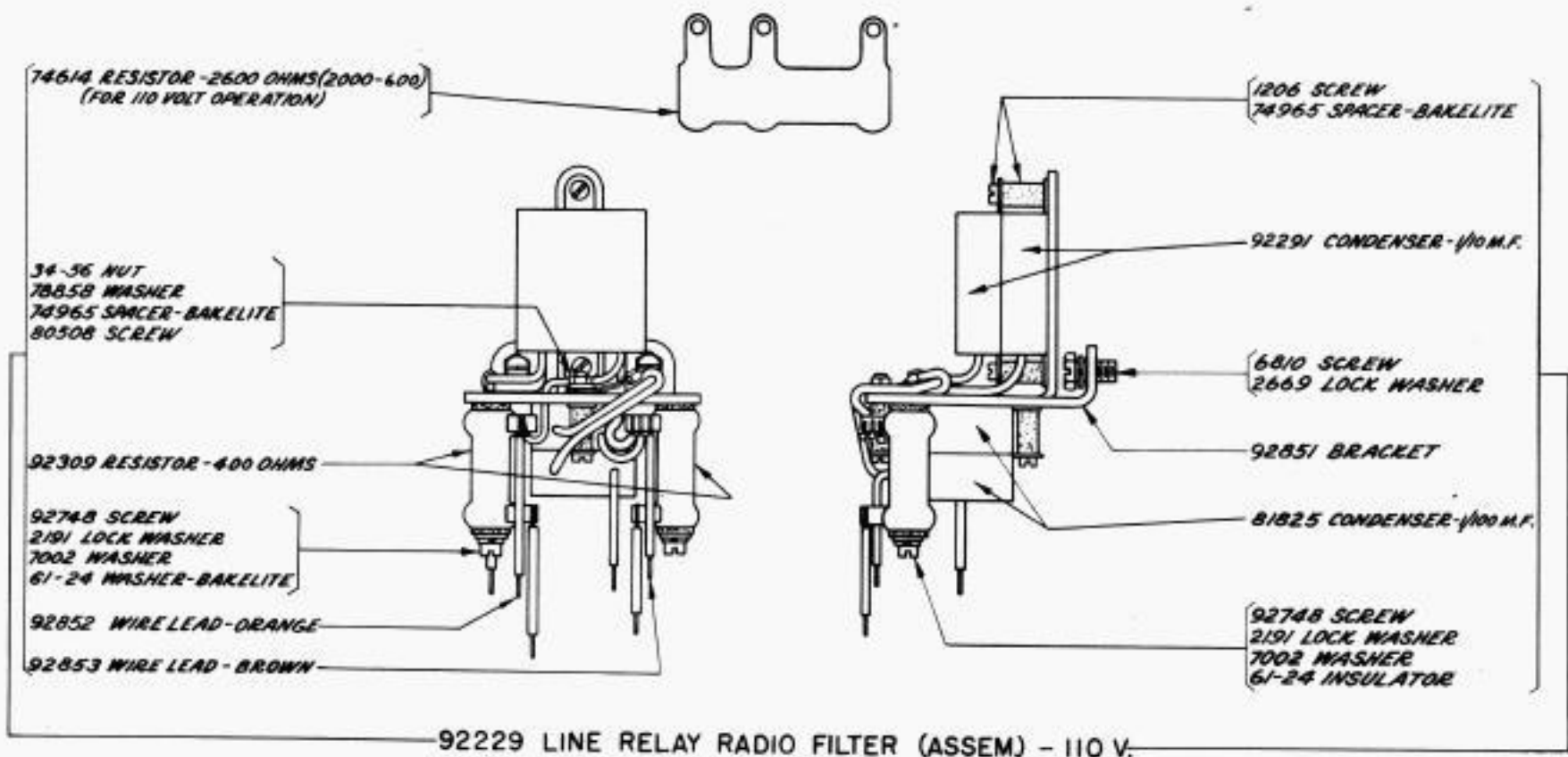
PUNCH UNIT - TOP VIEW

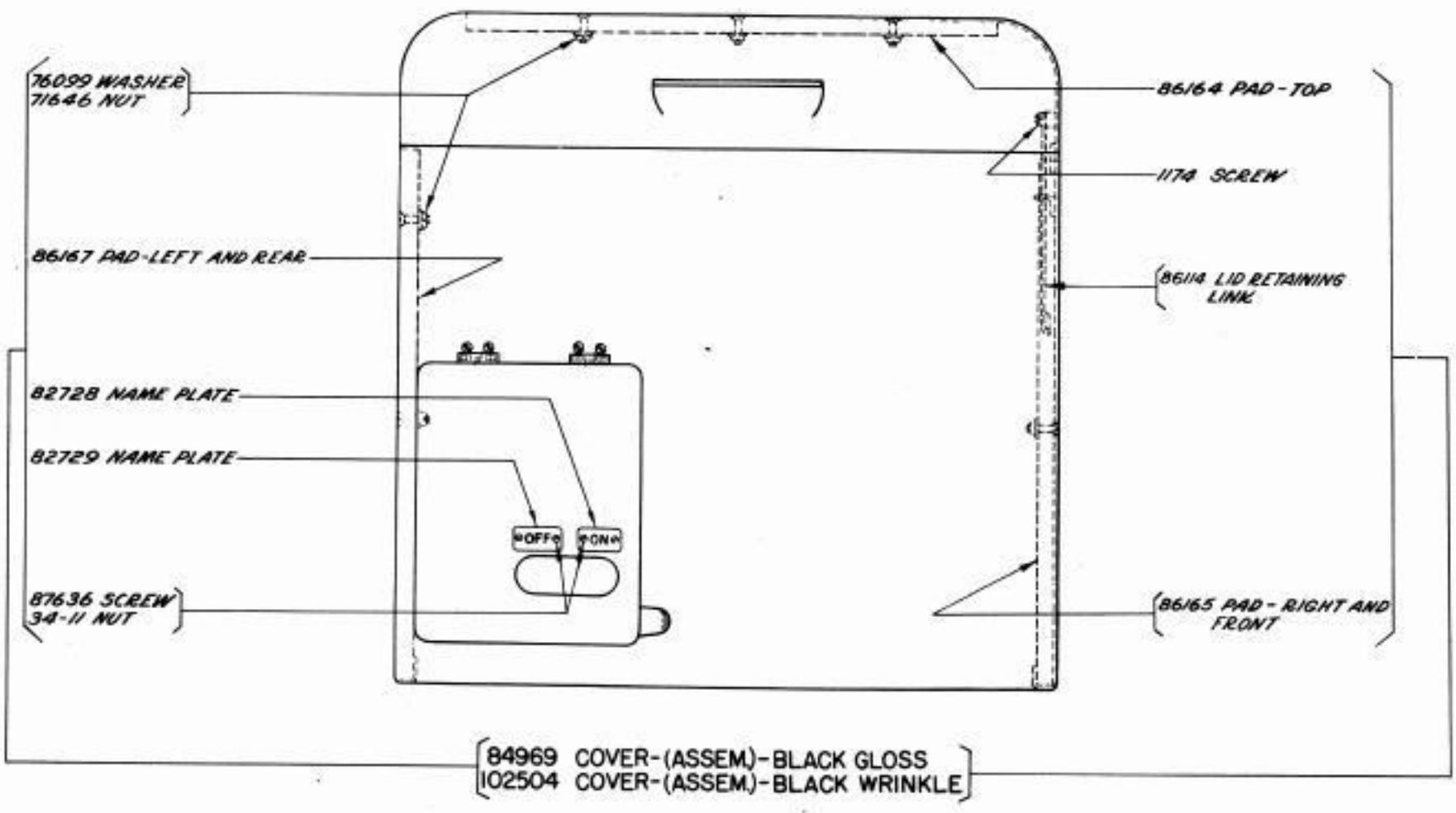
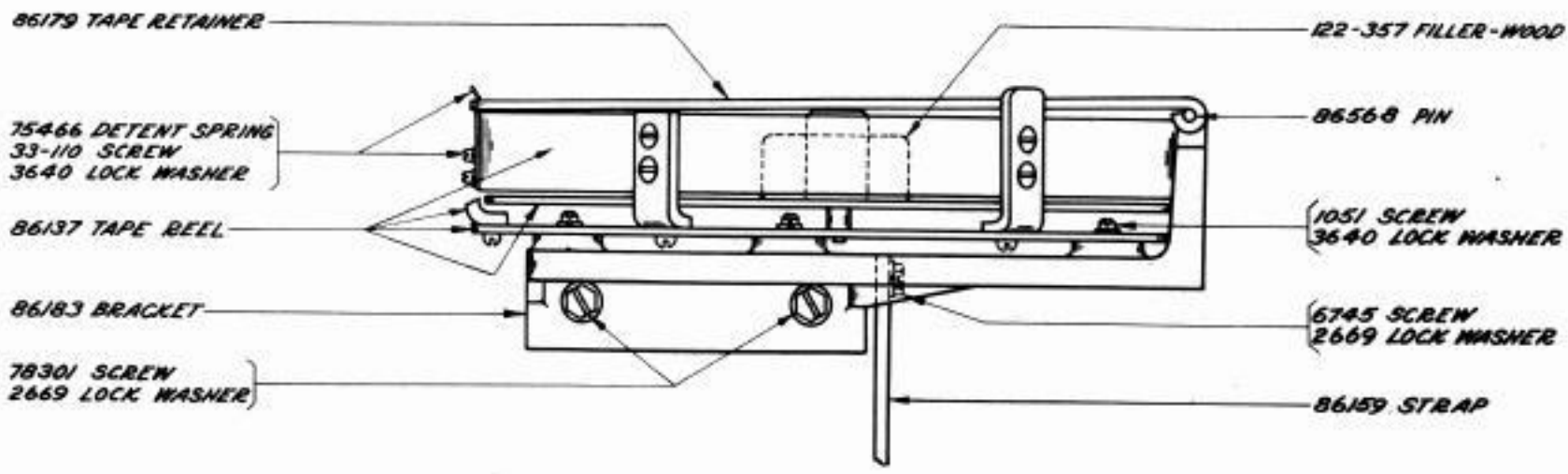
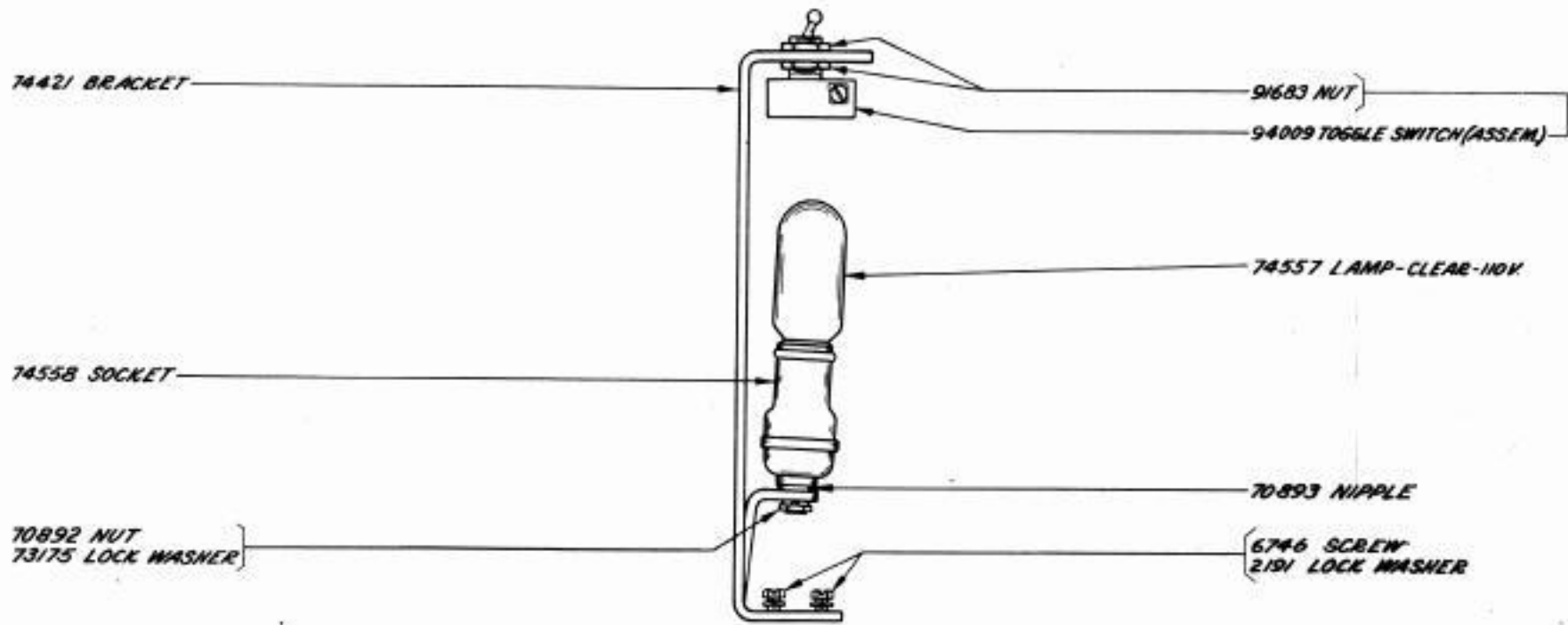


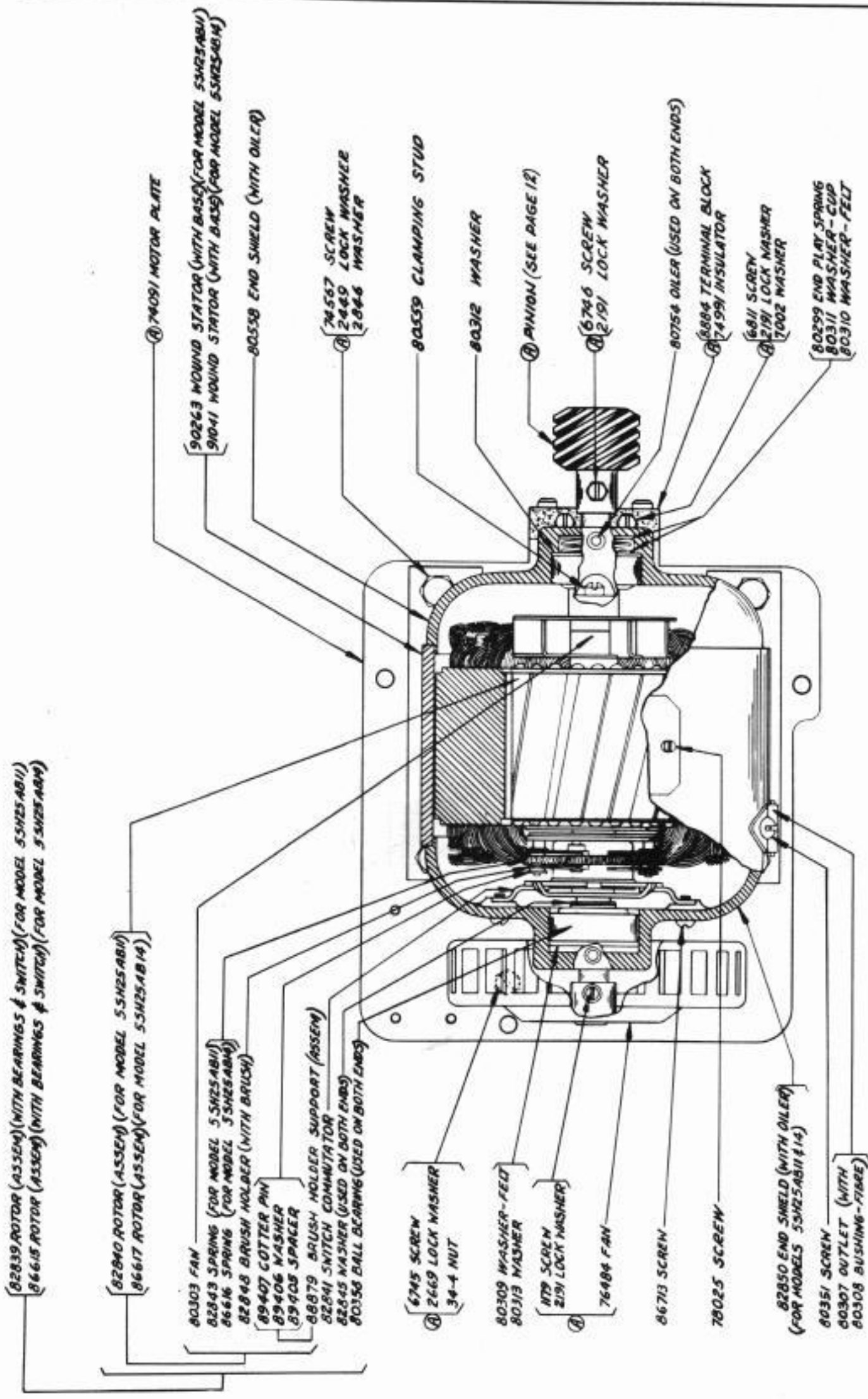
PUNCH UNIT - FRONT VIEW

Ⓐ SEE PAGE 12 FOR EXPLANATION



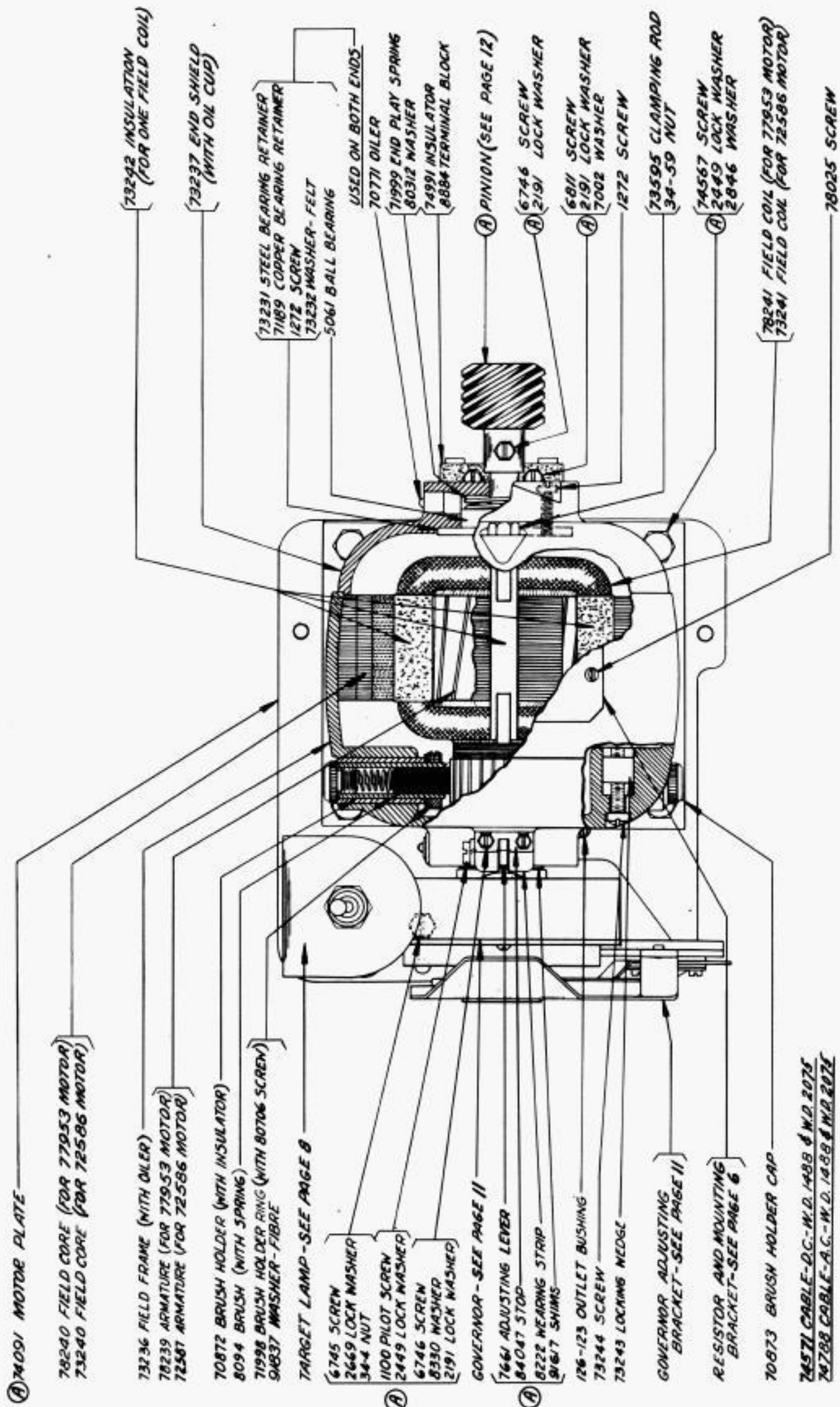






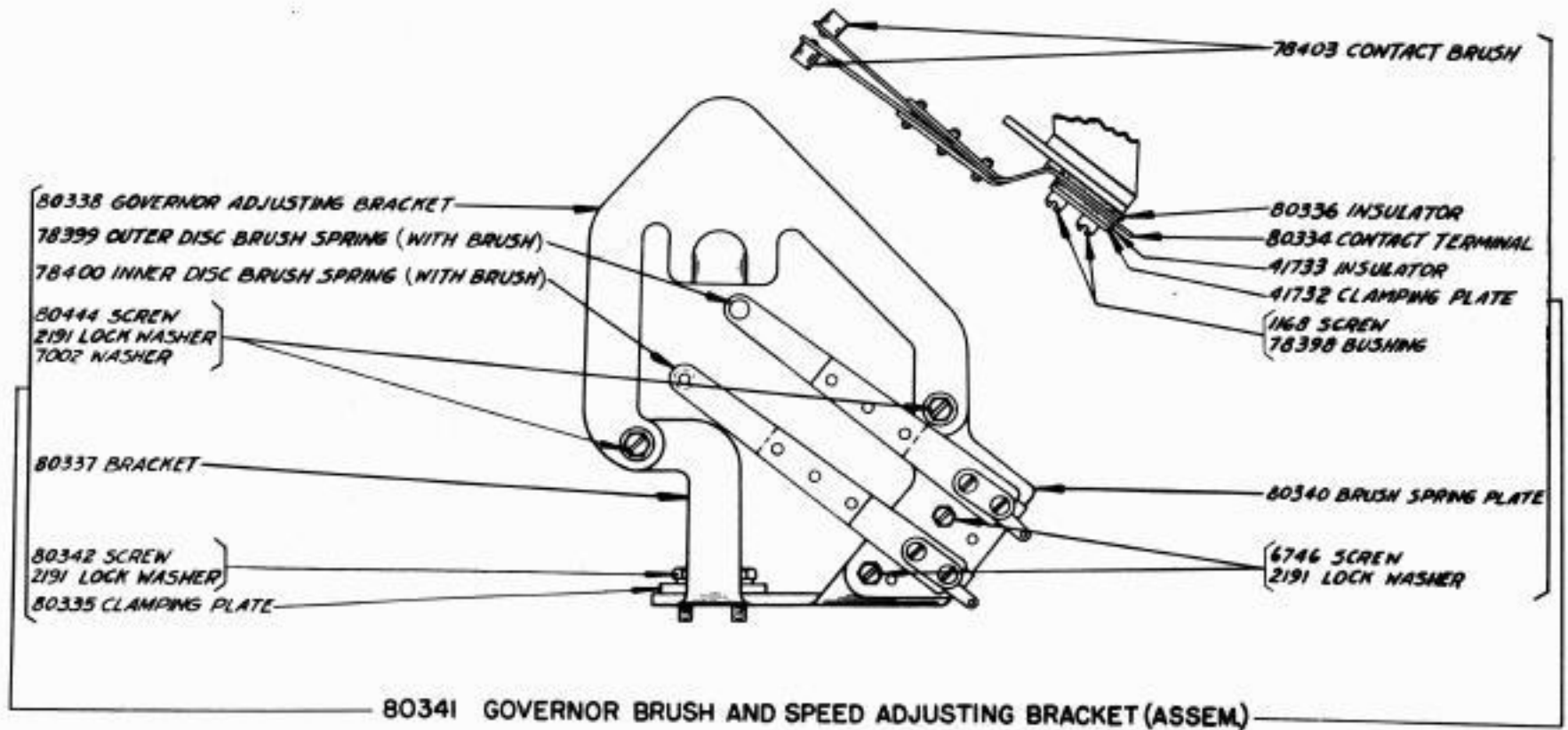
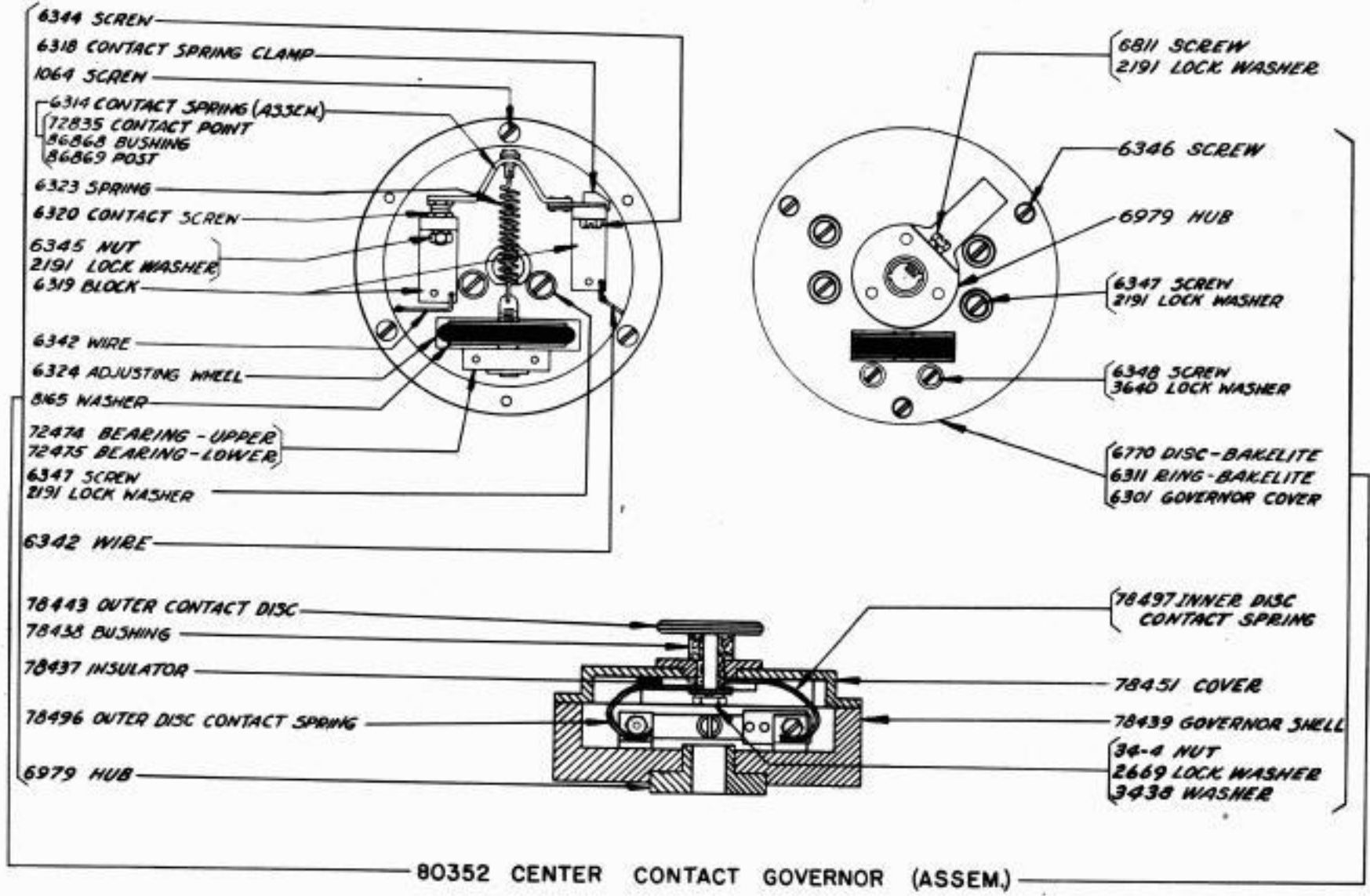
82283 SYNCHRONOUS MOTOR 1/40 H.P., 110 V., 60 CYCLE A.C. (G.E. MODEL 5SH25AB11) — EXCLUDES PARTS MARKED ⓐ

82714 SYNCHRONOUS MOTOR 1/40 H.P., 110 V., 50 CYCLE A.C. (G.E. MODEL 5SH25AB14) — EXCLUDES PARTS MARKED ⓐ



77953 MOTOR 1/25 H.P., 110 V., 60 CYCLE A.C. SERIES (G.E. MODEL 32989 OR 5BA65AA29)
(EXCLUDES PARTS MARKED (A))

72586 MOTOR 1/17 H.P., 110 V., D.C. SHUNT (G.E. MODEL 31531) USING 72566 RESISTOR
WITH MOUNTING (SEE PAGE 6) (EXCLUDES PARTS MARKED (A))



GEAR AND MOTOR PINION COMBINATIONS
USED WITH A.C., D.C. GOVERNED AND SYNCHRONOUS MOTORS
FOR MODEL LL (5 UNIT) REPERFORATORS

Set Number	Gear Number	Teeth	Pinion Number	Teeth	Operations per Minute	Words per Minute	Target Number	Spots	Tuning Fork Number	Vibrations per Second	Type of Motor
FOR LL TYPE (5 UNIT) REPERFORATORS											
90267	78509	30	78510	7	368	61	-	-	-	-	110 V. 60 Cycle - Syn.
90269	73106	35	71974	7	368	61	7105	10	72634	87.6	110 V. A.C. or D.C. - Gov.
92289	84065	25	84064	7	368	61	-	-	-	-	110 V. 50 Cycle - Syn.

NOTES OF EXPLANATION

- Page 3 (A) The 91636 post (which serves as a guide in the lower slot of the 86123 space-out lever - see page 5) has replaced the 86131 post.
- Page 5 (A) The 3598 nut, 2191 lock washer, and 123-244 washer replace the 1189 screw and 6987 washer when the 91636 post is used. (See page 3) The 1189 screw and 6987 washer were used with the 86131 post.

M-177	Magnet (105 ohms), 3	6346	Screw (6-32 x 3/4), 11	71696	Range Scale (with Bell Crank Mounting) 5 Unit, 4
33-110	Screw (4-40 x 3/16), 8	6347	Screw (6-32 x 3/8), 11	71697	Clamping Plate, 4
33-198	Screw (6-40 x 1/4), 3	6348	Screw (4-36 x 3/4), 11	71829	Range Scale (Assem.) - 5 Unit, 4
33-296	Screw (6-40 x 7/16), 5	6685	Sword, 3	71974	Motor Pinion (7-T), 12
34-1	Nut (1/4-32 Hex.), 2, 3, 5	6686	*T* Lever, 3	71976	Stop Pawl Plate, 4
34-4	Nut (10-32 Hex.), 2, 3, 5, 6, 9, 10, 11	6689	Separator Plate, 3	71998	Brush Holder Ring (with 80706 Screw), 10
34-11	Nut (2-56 Hex.), 3, 8	6706	Magnet Bracket, 3	71999	End Play Spring, 10
34-56	Nut (4-40 Hex.), 3, 4, 7	6745	Screw (10-32 x 1/2), 1, 2, 7, 8, 9, 10	72263	Spring Post, 5
34-59	Nut (10-30 Hex.), 10	6746	Screw (6-40 x 5/16), 1, 2, 3, 5, 6, 7, 8 to 11	72474	Bearing - Upper, 11
35-99	Spring, 5	6770	Disc - Bakelite, 11	72475	Bearing - Lower, 11
35-116	Spring, 4	6799	Screw (6-40 Shoulder), 4	72513	Driving Disc, 2
61-24	Washer-Bakelite, 7	6801	Screw (4-40 Pilot), 4	72514	Spring, 2
103-27	Washer, 5	6807	Screw (6-40 Set), 2	72515	Nut (5/16-32 Hex.), 2
122-60	Star Wheel, 5	6810	Screw (10-32 x 3/8), 1, 7	72517	Keyed Nut, 2
122-80	Shedder Guide, 4	6811	Screw (6-40 Set), 2, 3, 9, 10, 11	72521	Oil Wick, 2
122-84	Dowel - Lower, 4	6827	Connecting Block, 7	72522	Oil Wick, 2
122-86	Dowel - Upper, 4	6836	Magnet Yoke, 3	72562	Driving Clutch, 2
122-276	Strap, 1	6850	Bell Crank, 4	72563	Washer - Felt, 2
122-357	Filler - Wood, 8	6861	Washer - Felt, 2	72566	Resistor - 200 Ohms (100-100), 6
122-577	Feed Roll "B", 5 (Straight Feed)	6863	Cam Sleeve Disc, 2	72579	Washer, 2
122-697	Eccentric, 5	6884	Bracket, 3	72586	Motor 1/17 H.P., 110 V., D.C., 10
122-700	Detent Lever, 5	6909	Stop Pawl, 4	72587	Armature, 10
123-244	Washer, 1, 5, 12	6942	Screw (Eccentric), 3	72634	Tuning Fork, 12
126-123	Outlet Bushing, 10	6966	Eccentric Stop, 4	72644	Ball Bearing, 2
500-205	Connection Spring, 1	6971	Clutch Throwout Lever, 2	72835	Contact Point, 11
1026	Screw (6-40 x 3/8), 2, 7	6979	Hub, 11	72883	Washer - Felt, 2
1028	Screw (4-40 x 1/4), 1, 3, 7	6987	Washer, 12	72884	Friction Disc, 2
1030	Screw (6-40 Shoulder), 4	6990	Screw (1/4-32 Pilot), 2, 3, 5	73106	Worm Gear (35-T), 12
1051	Screw (4-40 x 1/2), 8	6993	Spring, 2	73107	Bushing, 2
1064	Screw (6-32 x 1/4), 7, 11	7001	Washer, 3	73175	Lock Washer, 8
1073	Screw (6-40 Thumb), 4	7002	Washer, 1, 2, 3, 5, 6, 7, 9, 10, 11	73231	Steel Bearing Retainer, 10
1100	Screw (1/4-32 Pilot), 10	7007	Trip Plunger, 4	73232	Washer - Felt, 10
1109	Screw (10-32 Set), 2	7095	Clamping Plate, 1	73236	Field Frame (with Oiler), 10
1160	Screw (6-40 x 5/16), 2, 5	7105	Target (10 Spot), 12	73237	End Shield (with Oil Cup), 10
1161	Screw (6-40 x 1/4), 1, 5	7586	Adjusting Screw (Special), 3	73240	Field Core, 10
1166	Screw (4-36 x 1/4), 1	7602	Spring, 4	73241	Field Coil, 10
1168	Screw (4-40 x 5/16), 11	7603	Spring, 4	73242	Insulation, 10
1169	Screw (6-40 x 7/16), 1	7607	Collar, 4	73243	Locking Wedge, 10
1174	Screw (4-40 Shoulder), 8	7612	Spring, 3	73244	Locking Wedge Screw (10-30 x 7/8), 10
1176	Screw (6-40 x 3/16), 6	7614	Spring, 3	73357	Terminal End, 7
1179	Screw (6-40 x 5/8), 9	7661	Adjusting Lever, 10	73481	Tape Tension Lever, 5
1189	Screw (6-40 Shoulder), 5, 12	7824	Oil Wick, 2	73482	Stud, 5
1206	Screw (4-40 x 9/16), 7	7887	Strap, 7	73483	Spring, 5
1224	Adjusting Screw, 1	8094	Brush (with Spring), 10	73497	Plug (Red Shell), 6
1245	Screw (10-32 x 1), 2	8157	Selector Lever - Right, 3	73595	Clamping Rod, 10
1257	Screw (10-32 x 1-1/8), 7	8158	Selector Lever - Left, 3	73670	Terminal Block (Assem.), 1
1268	Screw (.138-40 x 5/16 Flat Head), 1	8165	Washer, 11	74014	Screw (10-32 x 3/4), 1, 2, 5, 6
1269	Screw (6-40 x 1/2), 1, 4	8222	Wearing Strip, 10	74059	Screw (6-40 x 7/32), 5, 6
1272	Screw (6-40 x 11/16), 1, 10	8308	Cable Clamp, 1	74091	Motor Plate, 9, 10
1291	Screw (6-32 x 3/4), 1	8330	Washer, 10	74399	Screw (6-40 Pilot), 3
1297	Screw (6-40 x 2-7/16), 6, 7	8472	Locking Wedge, 3	74421	Bracket, 8
2034	Washer, 3	8511	Locking Lever (with Bushing), 3	74502	Driven Clutch, 2
2191	Lock Washer, 1 to 12	8539	Screw (6-40 x 1/2), 1, 3	74557	Lamp-Clear - 110 V., 8
2438	Washer, 3, 7	8543	Screw (6-40 x 1/4), 1, 5	74558	Socket, 8
2449	Lock Washer, 9, 10	8884	Terminal Block, 9, 10	74567	Screw (1/4-20 x 9/16), 9, 10
2597	Spacer, 5	8896	Shim, 5	74571	Cable - D.C. (W.D. 1488, W.D. 2075), 10
2669	Lock Washer, 1, 2, 5, 6, 7, 8, 11	34432	Washer, 4	74614	Resistor - 2600 Ohms (2000-600) (For 110 Volt Operation), 7
2846	Washer, 9, 10	35503	Foot - Rubber, 1	74620	Toggle Switch, 1
3130	Link, 2	41382	Spring, 5	74722	Washer, 3
3298	Eccentric Stop, 3	41385	Spring, 5	74757	Guard, 6
3338	Spring Post, 2	41732	Clamping Plate, 11	74788	Cable - A.C. (W.D. 1488, W.D. 2075), 10
3438	Washer, 1, 5, 6, 7, 11	41733	Insulator, 11	74821	Resistor - 2810 Ohms (For 110 Volt Operation) (2000-810), 7
3598	Nut (6-40 Hex.), 1 to 6, 12	70497	Nut (5/16-32 Hex.), 2	74841	Strap (2-5/8" Long), 3
3599	Nut (4-40 Hex.), 5	70707	Bracket, 7	74879	Spring Post, 2
3604	Nut (5/32 x 40 Hex.), 5	70724	Insulator Strip, 7	74965	Spacer - Bakelite, 7
3628	Outlet Bushing - Bakelite, 1	70771	Oiler, 10	74986	Screw (6-40 x 13/32), 1, 3
3640	Lock Washer, 3, 4, 5, 7, 8, 11	70803	Screw (6-40 Pivot), 3	74991	Insulator, 9, 10
3646	Lock Washer, 5, 6	70872	Brush Holder (with Insulator), 10	75121	Shedder, 4
3650	Washer, 1	70873	Brush Holder Cap, 10	75231	Bushing-Bakelite, 6
4871	Bolt, 7	70887	Nut (3/16-24 Hex.), 7	75237	Bushing, 6
5061	Ball Bearing, 10	70892	Nut, 8		
5740	Screw (2-56 x 1/4), 4	70893	Nipple, 8		
6301	Governor Cover, 11	71045	Stop Nut, 3		
6311	Ring - Bakelite, 11	71046	Stop Screw, 3		
6314	Contact Spring (Assem.), 11	71073	Washer, 3		
6318	Contact Spring Clamp, 11	71189	Copper Bearing Retainer, 10		
6319	Block, 11	71445	Link, 3		
6320	Contact Screw - Tungsten, 11	71646	Nut (6-32 Hex.), 8		
6323	Spring, 11	71653	Selector Coil (Assem.), 3		
6324	Adjusting Wheel, 11				
6342	Wire, 11				
6344	Screw (6-32 x 11/32), 11				
6345	Nut (6-32 Hex.), 11				

NUMERICAL INDEX

75436	Resistor - 3000 Ohms (For 110 Volt Operation) (1000-2000), 7	81841	Condenser - 1/4 M.F., 1	86177	Punch Bracket, 5
75466	Detent Spring, 8	82283	Synchronous Motor 1/40 H.P., 110 V., 60 Cycle A.C., 9	86178	Tape Baffle Plate, 5
75750	Washer - Bakelite, 6, 7	82392	Shim, 5	86179	Tape Retainer, 8
76099	Washer, 1, 2, 8	82493	Washer, 3	86181	Cable (Power)(W.D. - 1488, 2075), 1
76237	Cable Clamp, 1	82516	Retaining Clip, 7	86182	Cable (Line)(W.D. - 1488, 2075), 1
76298	Spring, 2, 5	82714	Synchronous Motor 1/40 H.P., 110 V., 50 Cycle A.C., 9	86183	Bracket, 8
76484	Fan, 9	82728	Name Plate, 8	86184	Frame, 2
77953	Motor 1/25 H.P., 110 V., 60 Cycle A.C., 10	82729	Name Plate, 8	86186	Base - Black Gloss, 1
77983	Punch (Small-Feed), 4	82815	Connecting Block, 7	86189	Bearing Cap, 2
77984	Guide Plate, 4	82839	Rotor (Assem.)(with Bearings and Switch), 9	86273	Spring, 5
77986	Wearing Strip, 4	82840	Rotor (Assem.)(For Model 5SH25AB11), 9	86568	Pin, 8
78011	Condenser - 1 M.F., 7	82841	Switch Commutator, 9	86615	Rotor (Assem.)(with Bearings and Switch), 9
78025	Screw (4-48 x 3/16), 9, 10	82843	Spring, 9	86616	Spring, 9
78163	Post, 3	82843	Spring, 9	86617	Rotor (Assem.), 9
78164	Selector Post, 3	82845	Washer, 9	86712	Spring, 2
78165	Selector Mounting Plate (with Posts), 3	82848	Brush Holder (with Brush), 9	86713	Screw (4-48 x 5/16), 9
78174	Armature, 3	82850	End Shield (with Oiler), 9	86868	Bushing, 11
78180	Retaining Disc, 2	82865	Bracket, 6	86869	Post, 11
78205	Resistor - 300 Ohms, 6, 7	83920	Top Separator Plate, 3	86865	Chad Chute, 5
78206	Resistor Unit (Assem.) - 110 V., A.C. or D.C., 7	84015	Cable Clamp (1.312 Long), 1	87598	Feed Roll Bushing, 5
78239	Armature, 10	84047	Stop, 10	87603	Tape Knife, 5
78240	Field Core, 10	84064	Motor Pinion (7-T), 12	87636	Screw (2-56 x 3/16), 8
78241	Field Coil, 10	84065	Worm Gear (25-T), 12	87851	Bushing - Fibre, 1
78301	Screw (10-32 x 5/8), 8	84969	Worm Gear (Assem.) - Black Gloss, 8	88879	Brush Holder Support (Assem.), 9
78398	Bushing, 11	85019	Roller, 2	89405	Spacer, 9
78399	Outer Disc Brush Spring (with Brush), 11	85020	Screw (10-32 Shoulder), 2	89406	Washer, 9
78400	Inner Disc Brush Spring (with Brush), 11	85023	Adjusting Nut, 2	89407	Cotter Pin, 9
78403	Contact Brush, 11	85354	Bearing Plate, 5	89472	Line Cord (Assem.), 6
78437	Insulator, 11	85355	Plate, 5	89548	Contact Spring, 7
78438	Bushing, 11	85364	Punch Lever, 5	89969	Washer - Bakelite, 6
78439	Governor Shell, 11	85371	Punch Hammer, 5	90088	Trip Latch, 4
78443	Outer Contact Disc, 11	85373	Shaft, 5	90263	Wound Stator (with Base), 9
78451	Cover, 11	85378	Punch (Large - Code), 4	90267	Set of Reperator Gears (14-A), 12
78496	Outer Disc Contact Spring, 11	85471	Screw (10-32 x 1/2), 2	90269	Set of Reperator Gears, (14-C), 12
78497	Inner Disc Contact Spring, 11	85779	Clamping Plate, 5	90791	Lock Washer, 3
78509	Worm Gear (30-T), 12	86109	Lock Ball, 5	91041	Wound Stator (with Base), 9
78510	Motor Worm (7-T), 12	86111	Collar, 2	91617	Shim, 10
78596	Washer, 4	86112	Block, 1	91636	Post, 3, 12
78597	Screw (10-32 Shoulder), 4	86113	Punch Block (Assem.) - 5 Unit - Straight Feed, 4	91683	Nut (15/32-38 Hex.), 8
78824	Spring, 3	86114	Lid Retaining link, 8	91740	Cord (with 91280 Terminal), 6
78826	Mounting Block, 3	86117	Transfer Lever #5 Front, 5	91837	Washer - Fibre, 10
78858	Washer, 7	86118	Transfer Lever #4, 5	92229	Line Relay Radio Filter (Assem.) - 110 V., 7
79523	Screw (2-56 Special), 6	86119	Transfer Lever #3, 5	92289	Set of Reperator Gears (14-E), 12
80294	Spring Post, 5	86120	Transfer Lever #2, 5	92291	Condenser 1/10 M.F., 7
80299	End Play Spring, 9	86121	Transfer Lever #1, 5	92309	Resistor - 400 Ohms, 7
80303	Fan, 9	86123	Space-Out Lever, 5, 12	92748	Screw (6-40 x 1-7/16), 7
80307	Outlet, 9	86124	Feed Pawl, 5	92851	Bracket, 7
80308	Bushing - Fibre, 9	86127	Spacer - Short, 5	92852	Wire Lead - Orange, 7
80309	Washer - Felt, 9	86128	Spacer - Long, 5	92853	Wire Lead - Brown, 7
80310	Washer - Felt, 9	86129	Hub, 2	94009	Toggle Switch (Assem.), 8
80311	Washer - Cup, 9	86130	Hub, 2	95050	Power Cord (Assem.), 6
80312	Washer, 9, 10	86131	Post, 12	95051	Cord (with 82474 Terminal), 6
80313	Washer, 9	86132	Bearing, 2	95052	Power Cord (Assem.), 6
80334	Contact Terminal, 11	86133	Slip Connection (Assem.), 1	95053	Cord (with 82474 Terminal), 6
80335	Clamping Plate, 11	86136	Roller Arm (with Rollers), 5	95063	Plug (3 Prongs), 6
80336	Insulator, 11	86137	Tape Reel, 8	95064	Plug (4 Prongs), 6
80337	Bracket, 11	86138	Bracket, 7	96258-BK	Wire, 6
80338	Governor Adjusting Bracket, 11	86143	Tape Guide - 5 Unit, 5	96258-W	Wire Strap (3 Long), 6
80340	Brush Spring Plate, 11	86144	Switch Cover, 1	99744	Resistor - 8000 Ohms, 6
80341	Governor Brush and Speed Adjusting Bracket (Assem.), 11	86146	Chad Drawer, 1	99745	Line and Selector Jack (Assem.), 6
80342	Screw (6-40 x 23/64), 1, 5, 11	86148	Chad Chute, 2	99802	Plate, 6
80351	Screw (8-36 x 5/16), 9	86149	Bracket, 1	99803	Insulator, 6
80352	Center Contact Governor (Assem.), 11	86150	Tape Guide Spring, 5	99804	Insulator, 6
80358	Ball Bearing, 9	86153	Bracket, 1, 6, 7	99805	Plunger, 6
80444	Screw (6-40 x 1/4), 11	86155	Eccentric Shaft, 5	99806	Bracket, 6
80508	Screw (4-40 x 25/32), 7	86156	Eccentric Bushing, 5	99807	Contact Spring, 6
80558	End Shield (with Oiler), 9	86158	Cam Sleeve - 5 Unit, 2	99809	Contact Spring, 6
80559	Clamping Stud, 9	86159	Strap, 2, 8	99816	Relay Base, 6, 7
80754	Oiler, 9	86160	Shaft, 2	99817	Foot-Brass, 1
81515	Punch Holder, 4	86164	Pad - Top, 8	102504	Cover (Assem.) - Black Wrinkle, 8
81598	Feed Roll Bushing, 5	86165	Pad - Right and Front, 8		
81599	Eccentric Bushing, 5	86166	Pad - Felt, 1		
81638	Collar, 5	86167	Pad - Left and Rear, 8		
81793	Guide and Die Plates (Fitted Together), 4	86168	Stop Post, 5		
81825	Condenser - 1/100 M.F., 7	86169	Post, 2		
		86170	Stud, 5		
		86171	Shaft, 2		
		86172	Punch Arm, 2		
		86174	Punch Lever Cam, 2		
		86175	Chad Drawer Guide, 1		
		86176	Base Plate, 1		