

BULLETIN No. 1109
ISSUE 1
APRIL, 1942

TELETYPE

PRINTING TELEGRAPH SYSTEMS

PARTS

TRANSMITTER DISTRIBUTOR

TELETYPE
REG. U.S. PAT. OFF.
CORPORATION
SUBSIDIARY OF
Western Electric Company
CHICAGO, U.S.A.

BULLETIN No. 1109
ISSUE 1
APRIL, 1942

TELETYPE

PRINTING TELEGRAPH SYSTEMS

PARTS

TRANSMITTER DISTRIBUTOR



Printed in U. S. A.

I
ALPHABETICAL INDEX

	<u>Page</u>
Base	1
Base Plate	5
Brushes - Carbon and Braided Copper Wire	3
Cables	1,15
Chadless Tape Parts.	7
Condenser.	8,15
Contact Lever Bail (Assem.).	6
Contact Screw Bridge (Assem.).	4
Covers	10
Disc (Assem.).	2
Feed Lever	4
Feed Roll.	6
Filters.	5,8,16
Gears.	2
Governed Motor Filter Unit	8
Governor (Assem.) - With Fan	17
Governor (Assem.) - Without Fan.	13
Governor Parts	13,16,17
Guards	1,6,8,15
Main Shaft (Assem.).	2
Main Shaft Bracket	3
Motors - A.C. Series	12,14
Motors - Synchronous	11
Mounting Plate (Assem.).	9
Name Plates.	10
Notes of Explanation	18
Numerical Index.	20
Pinions.	2
Regular Perforated Tape Parts.	6
Release Magnet (Assem.).	3
Resistance Unit (Assem.)	8
Resistors - Flat Type.	8
Resistors - Round Type	8,15
Set of Filter Unit Parts	16
Set of Motor and Gear Parts.	11,12,18,19
Set of Motor Parts - A.C. Series	14,15,16,17
Set of Parts to Equip a Five Unit Transmitter Distributor With a Tape-Out Contact Mechanism and Parts for Handling Either Chadless or Regular Perforated Tape	18
Set of Universal Release Magnet Parts.	3
Slip Connection Strip (Assem.)	4
Snap Panels.	10

	<u>Page</u>
Stop Arm Contact (Assem.)	8,16
Straps	7,8
Tape Contact Levers (With Armatures)	6
Tape-out Contact (Assem.)	7
Tape Stop Contact (Assem.)	3
Targets.	13,17
Terminal Block (Assem.)	4
Toggle Switch.	1
Top Plate (Assem.) - For Chadless Tape	7
Top Plate (Assem.) - For Regular Perforated Tape	6
Transmitting Brush Radio Filter.	5

-1-
(B-1109)

77077 BASE-BLACK GLOSS

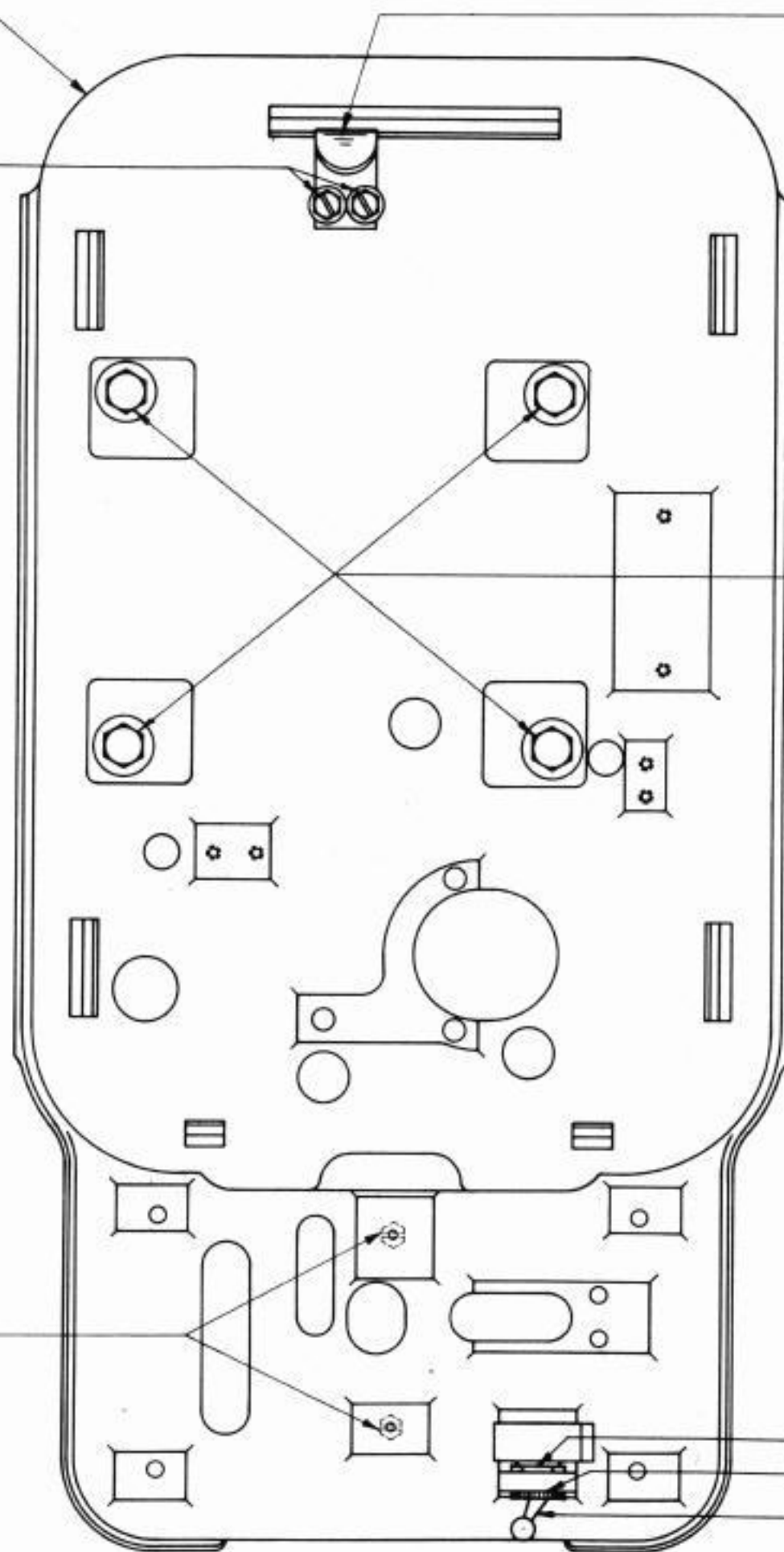
80311 GUARD - FOR 80352
CENTER CONTACT GOVERNOR

8539 SCREW
2191 LOCK WASHER
7001 WASHER
7002 WASHER

6035 SCREW
2846 WASHER

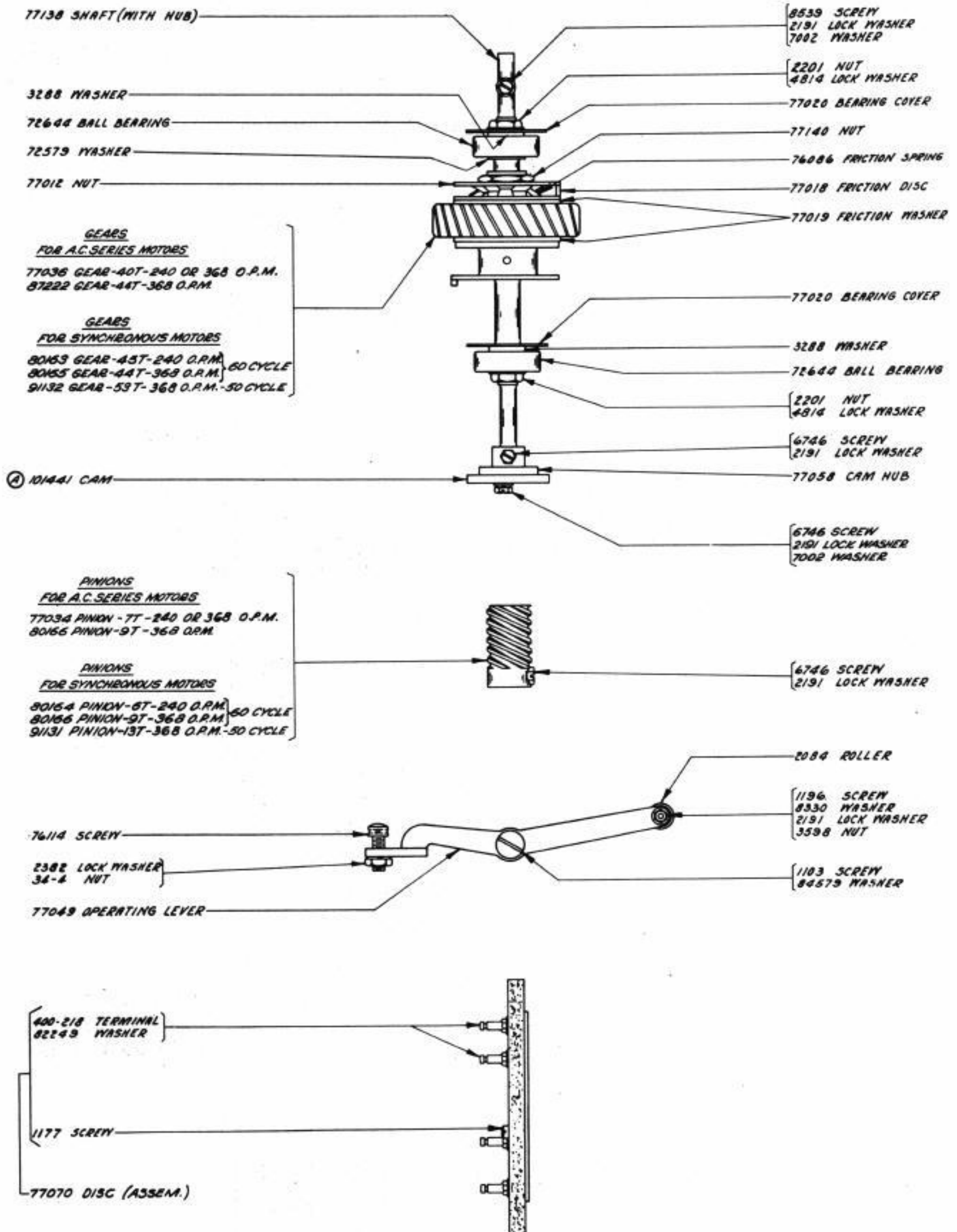
6746 SCREW
2191 LOCK WASHER

91683 NUT (HEX.)
99075 NUT (RING)
73180 TOGGLE SWITCH (ASSEM.)

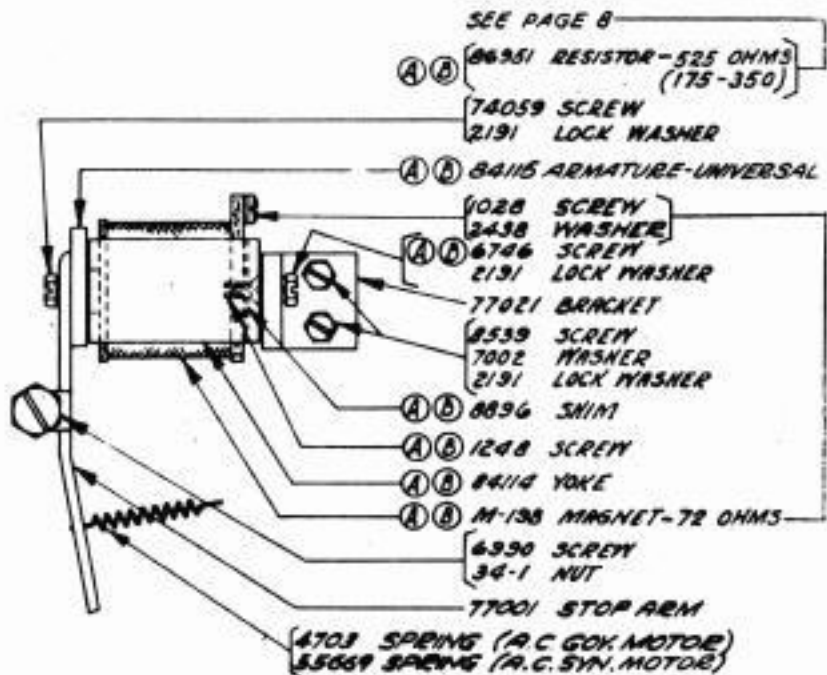
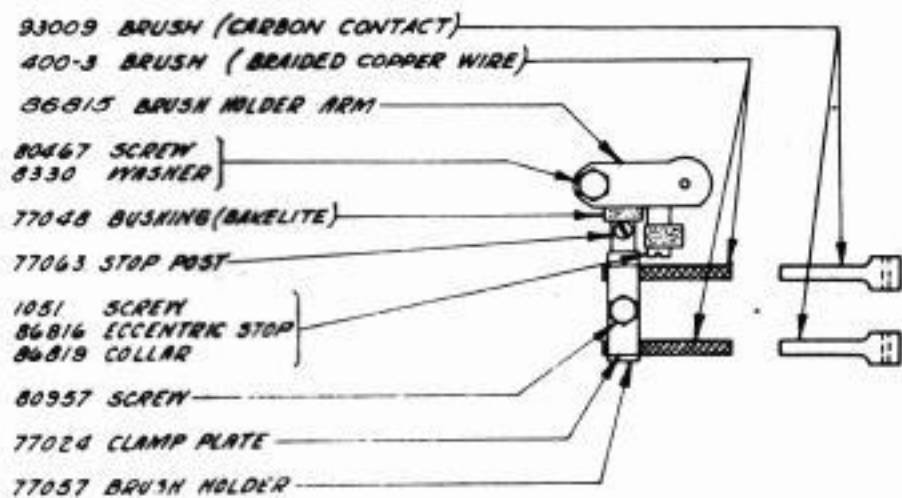
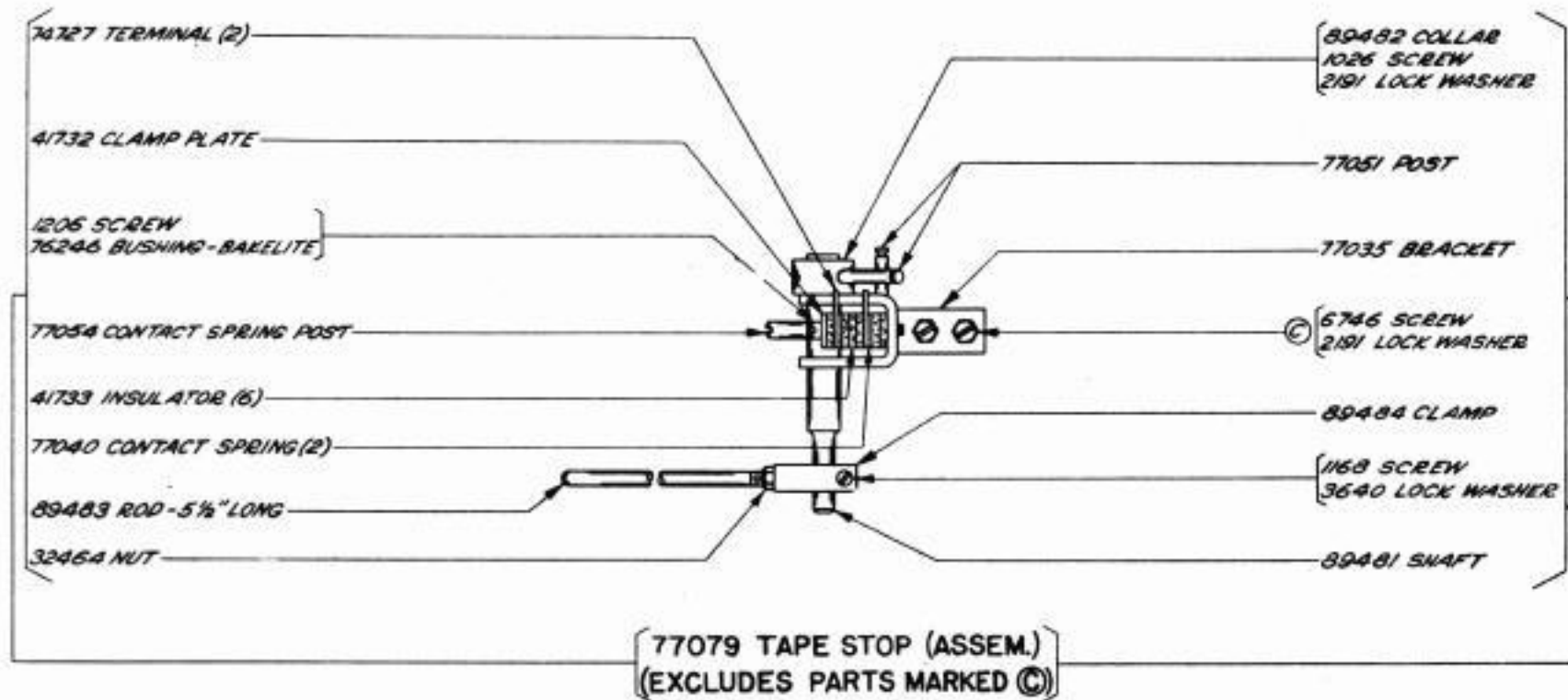
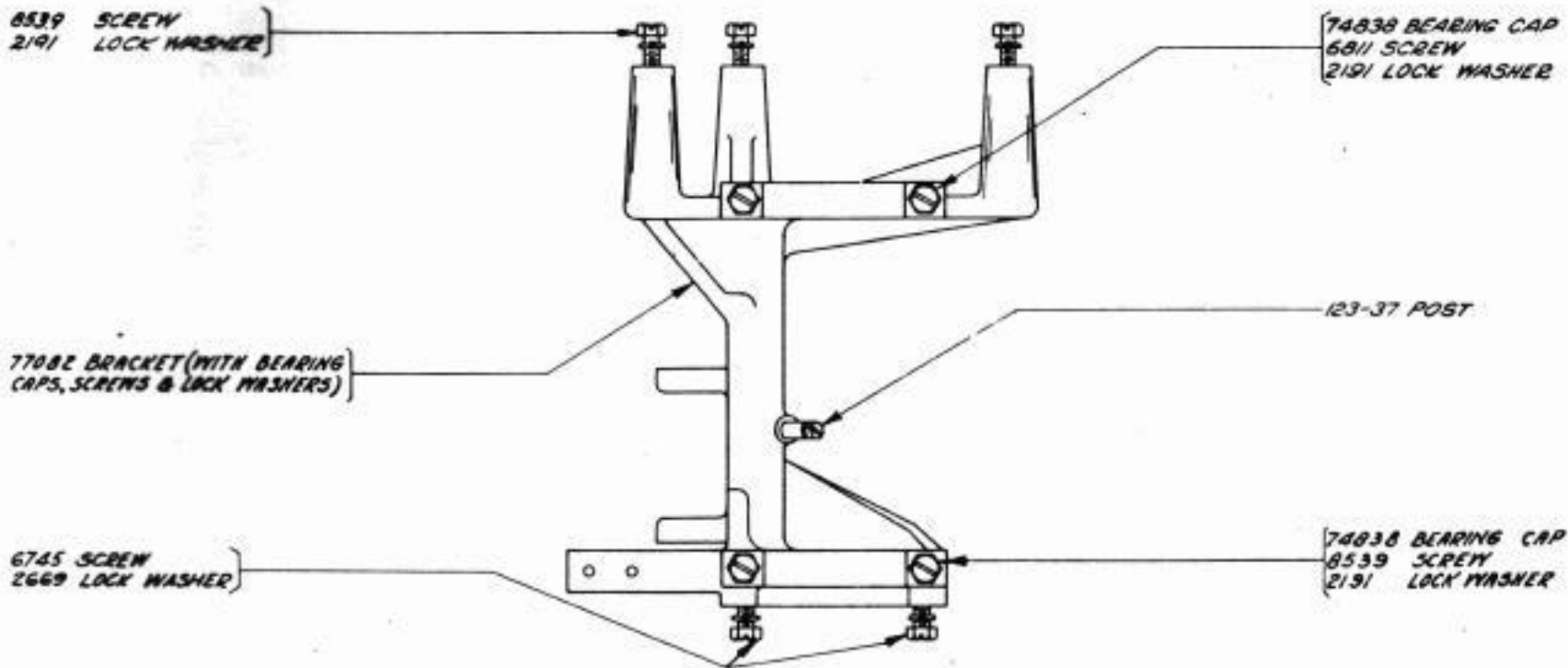


CABLES

PART NUMBER	DESCRIPTION	WIRING DIAGRAM NUMBER
77136	LINE	1883, 2084
77126	POWER	2084
87469	STOP ARM CONTACT	2084
77135	CONTROL	1883, 2084
103083	CONTROL & STOP ARM CONTACT	2069, 2084

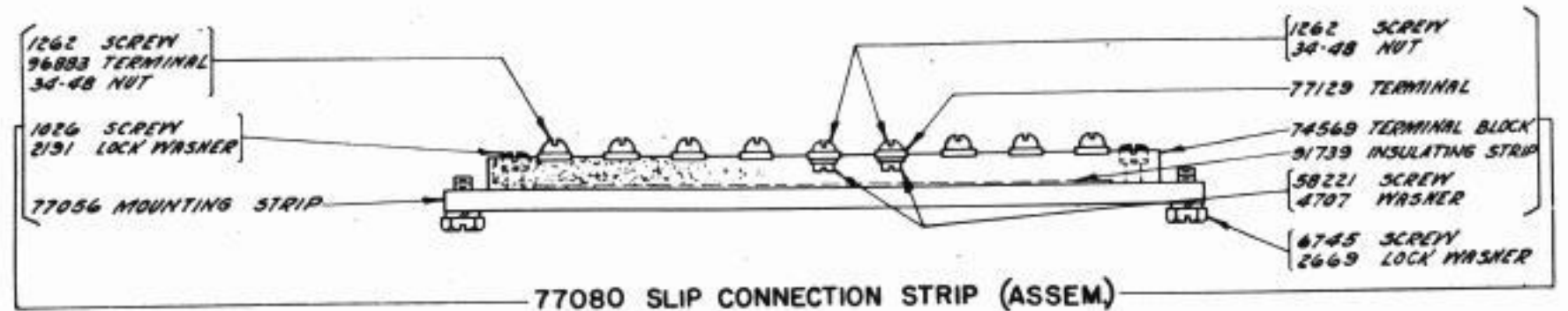
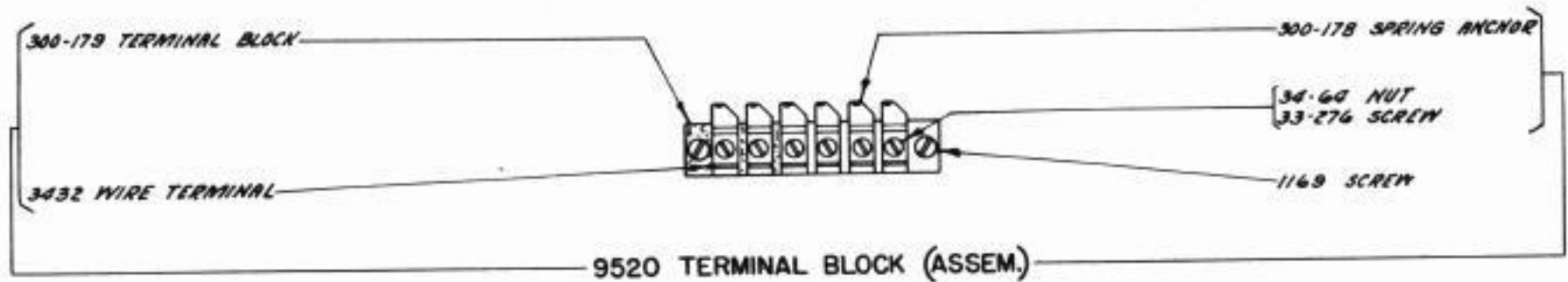
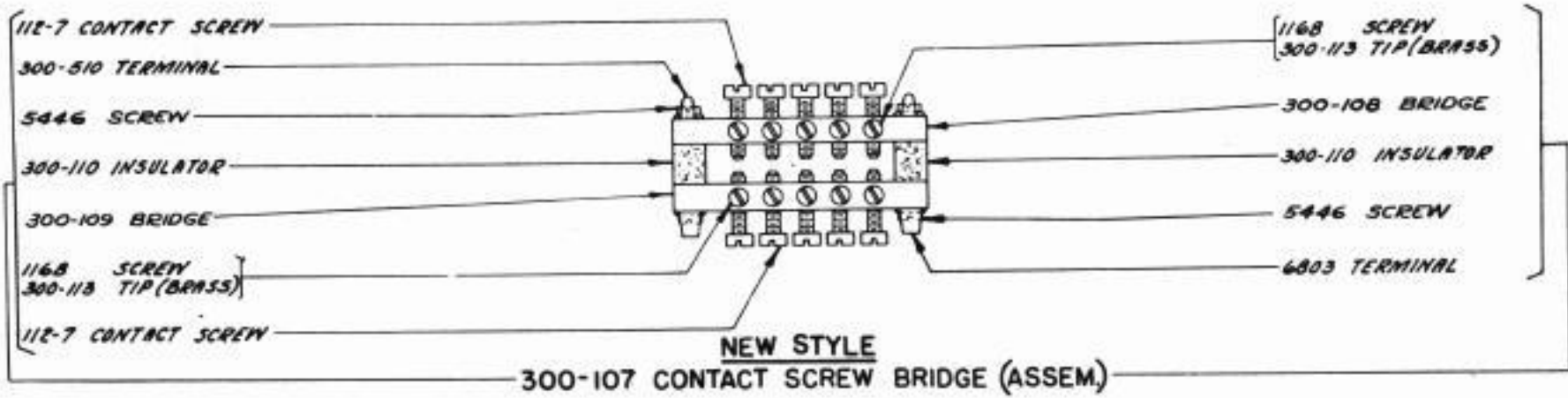
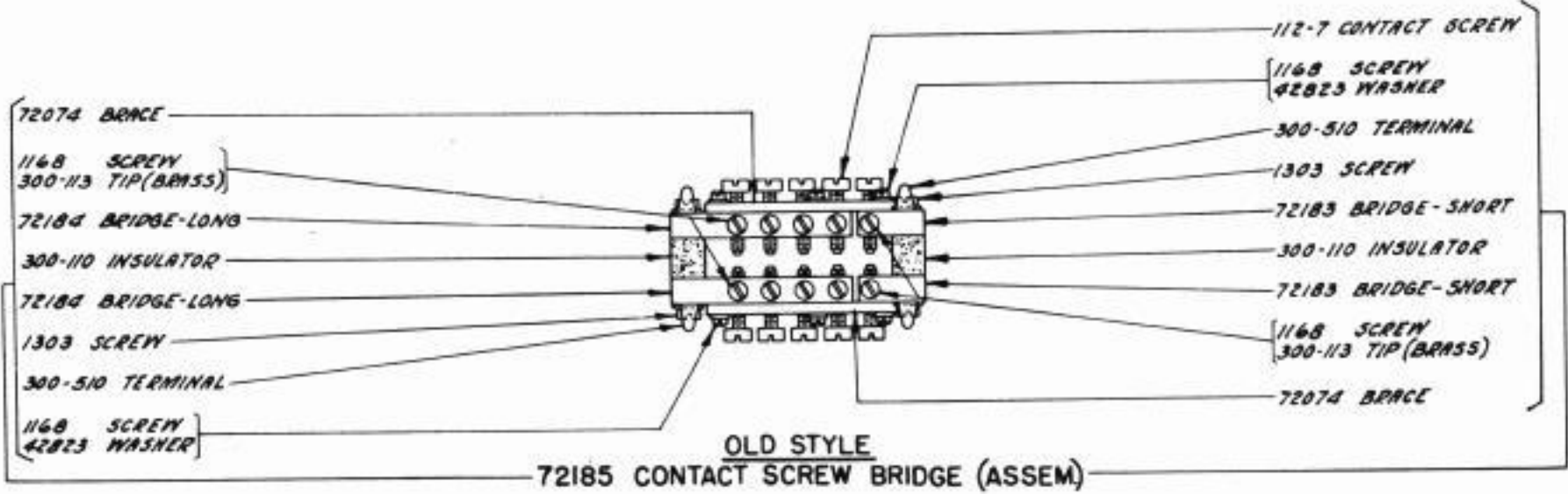
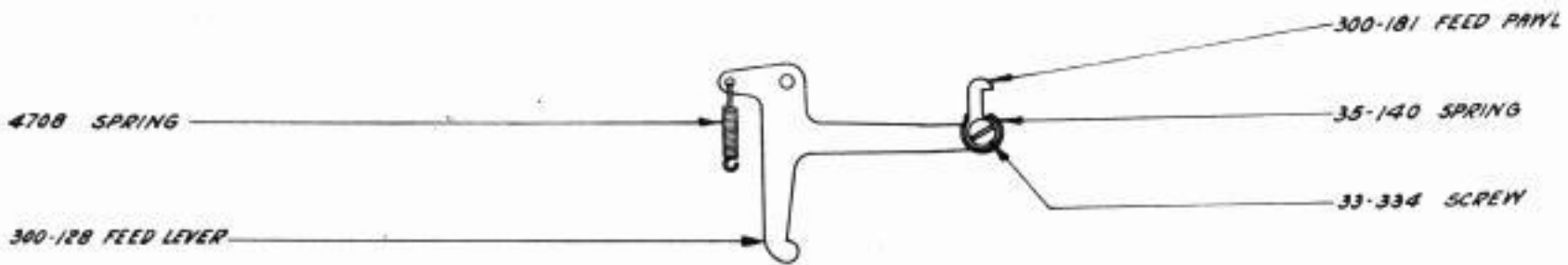


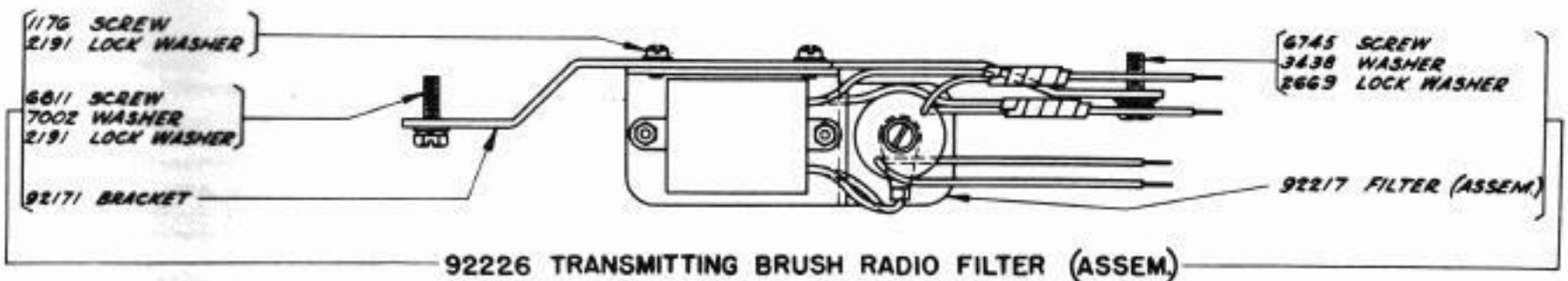
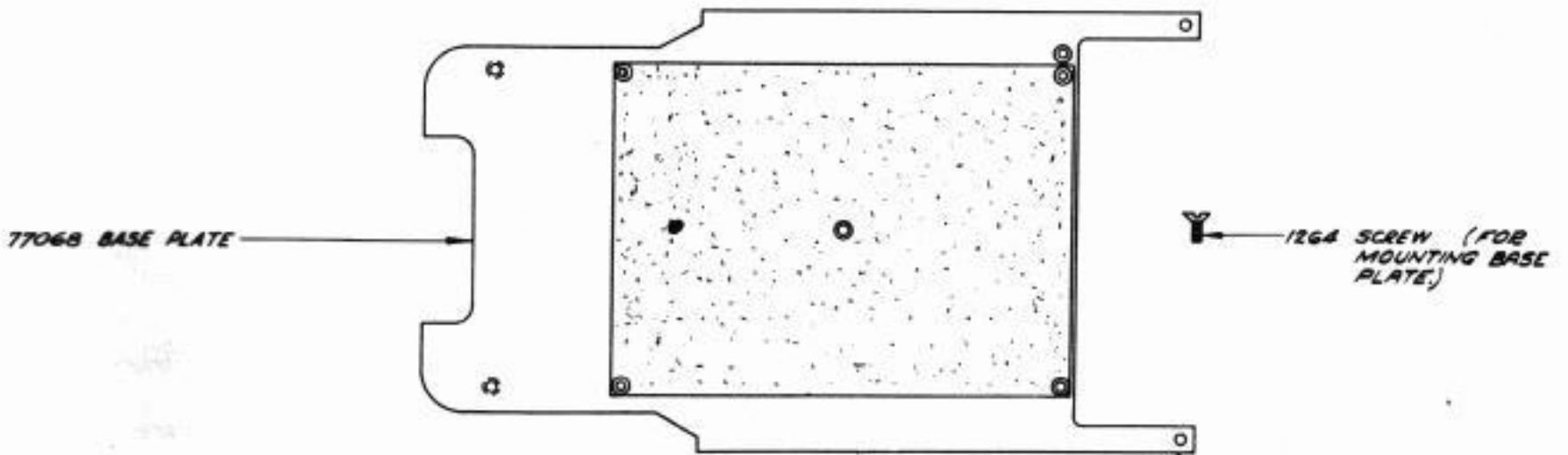
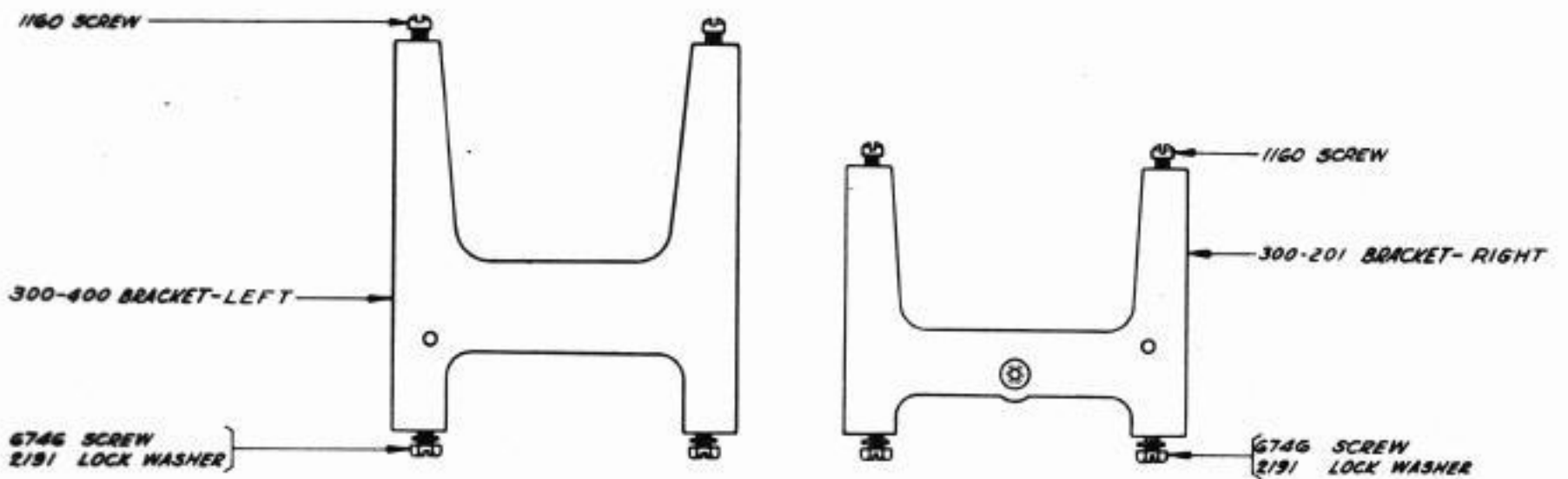
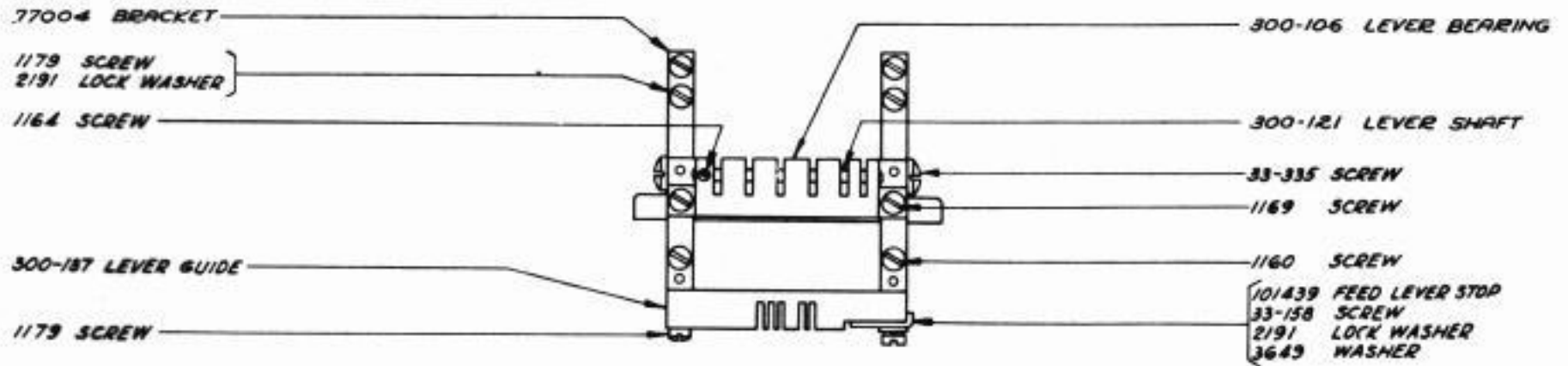
(A) SEE PAGE 18 FOR NOTES FOR EXPLANATION



Ⓐ SEE PAGE 18 FOR NOTES OF EXPLANATION

87390 SET OF UNIVERSAL RELEASE MAGNET PARTS (110V. A.C.)
(CONSISTS OF PARTS MARKED Ⓑ)





FOR REGULAR PERFORATED TAPE

- 77142 BAIL
- 77146 WEARING STRIP
- 1163 SCREW(2)
- 3640 LOCK WASHER
- 77143 BAIL (ASSEM.)

- 300-152 ADJUSTING LEVER
- 33-50 SCREW
- 1086 SCREW
- 3599 NUT
- 77050 ARM
- 1162 SCREW
- 3640 LOCK WASHER

- 84759 GEAR GUARD

- 8539 SCREW
- 7002 WASHER
- 2191 LOCK WASHER

- 36-153 DOWEL
- 300-319 LID HOLDER
- 300-320 SHAFT
- 72138 RETAINING LID
- 72140 LIP PLATE
- 35-137 LATCH SPRING
- 300-322 LATCH
- 36-51 SHAFT
- 72139 SCREW PLATE
- 72137 SHIM
- 1168 SCREW

- 1159 SCREW
- 1162 SCREW
- 1168 SCREW
- 77033 TAPE GUIDE PLATE

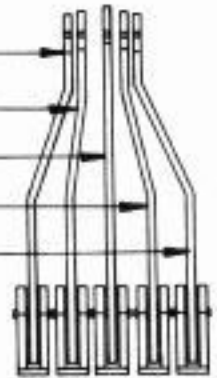
TOP VIEW

- 8491 WEARING STRIP
- 72069 SHIM
- 1293 SCREW
- 300-301 TOP PLATE(WITH WEARING STRIP)
- 1162 SCREW
- 300-303 FEED ROLL BEARING
- 300-302 FEED ROLL

- 33-337 SCREW
- 300-312 DETENT BRACKET
- 35-33 DETENT SPRING
- 300-315 DETENT LEVER
- 300-316 DETENT ROLLER
- 36-73 PIN
- 300-314 DETENT (ASSEM.)
- 1162 SCREW
- 300-303 FEED ROLL BEARING

BOTTOM VIEW

- 300-170 LEVER 1 (WITH ARMATURE)
- 300-171 LEVER 2 (WITH ARMATURE)
- 300-172 LEVER 3 (WITH ARMATURE)
- 300-173 LEVER 4 (WITH ARMATURE)
- 300-174 LEVER 5 (WITH ARMATURE)



- 3618 INSULATOR
- 81731 SPRING
- 5740 SCREW
- 3624 WASHER-BRASS
- 122-97 BUSHING-BAKELITE
- 77030 CONTACT TONGUE

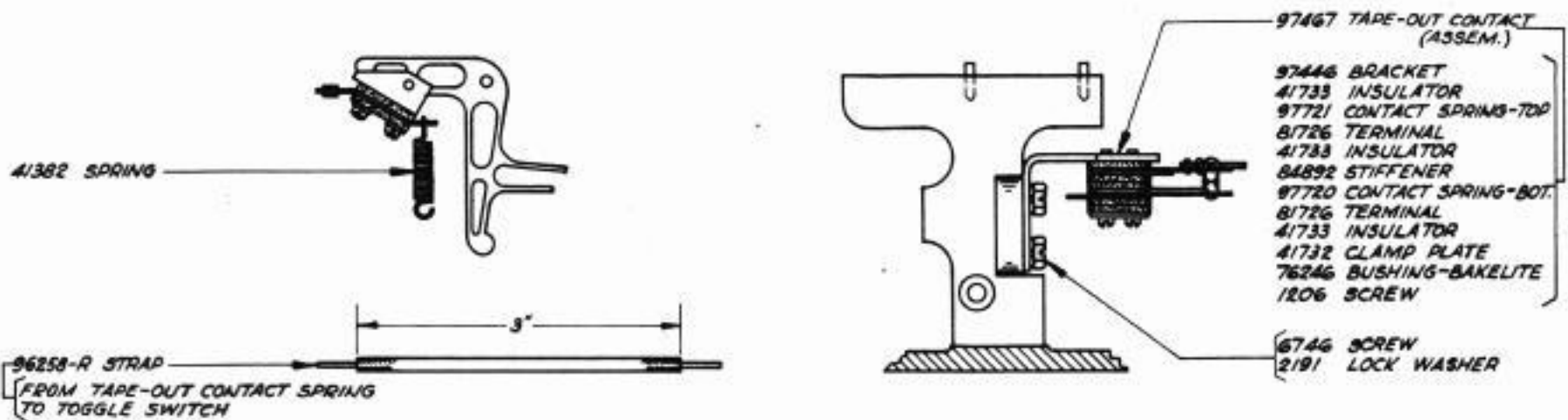
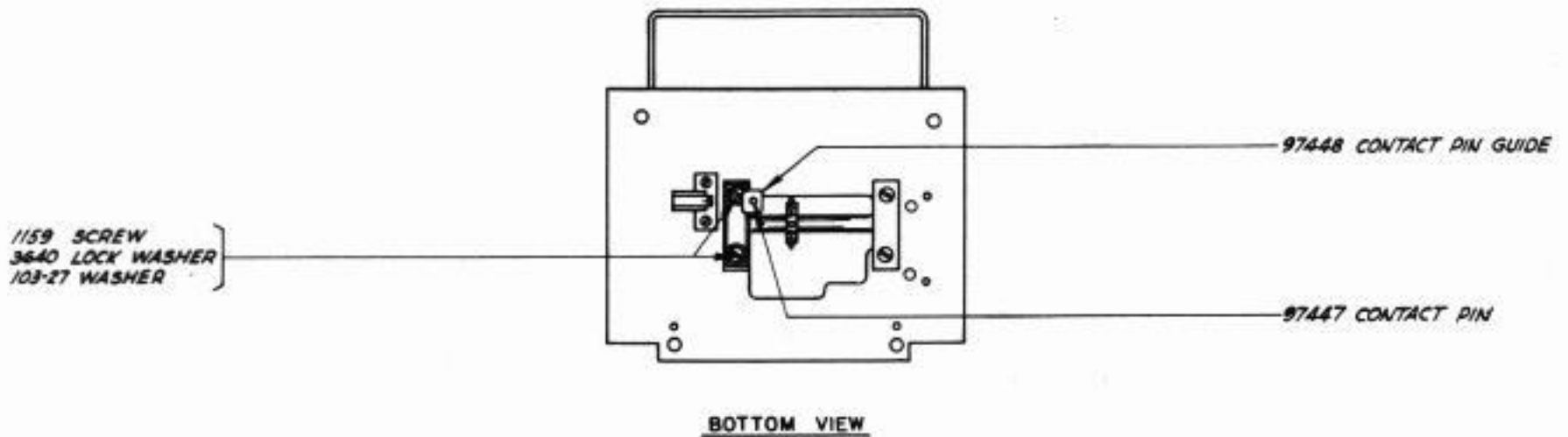
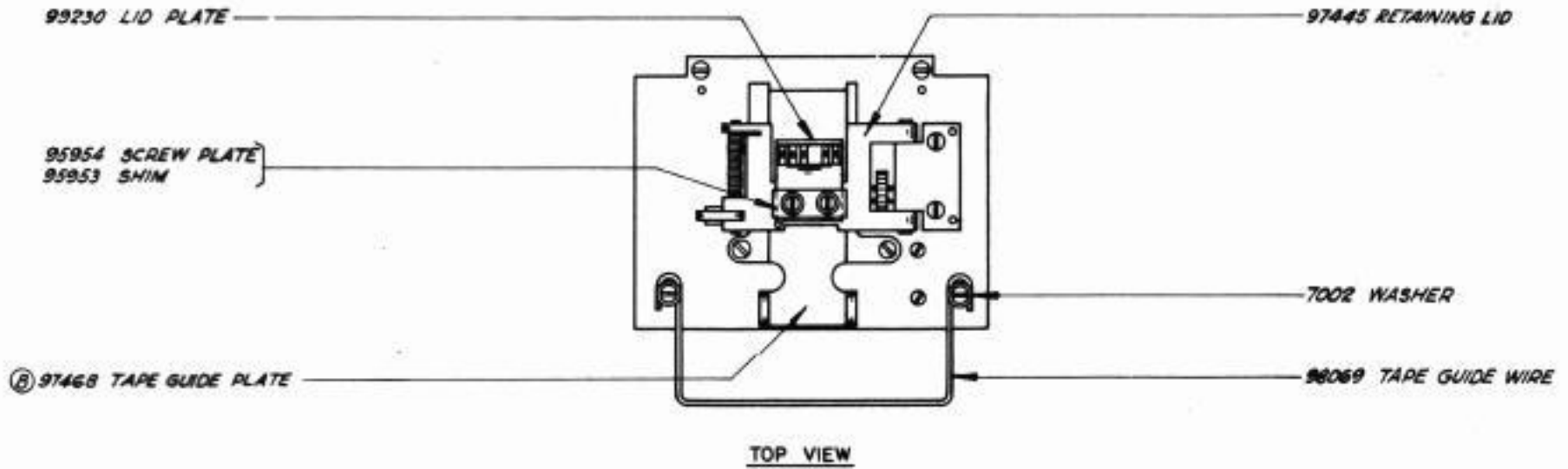


(A) 98137 SET OF PARTS

(A) FOR ORDERING INFORMATION AND COMPONENT PARTS SEE NOTES OF EXPLANATION, PAGE 18.

FOR CHADLESS TAPE

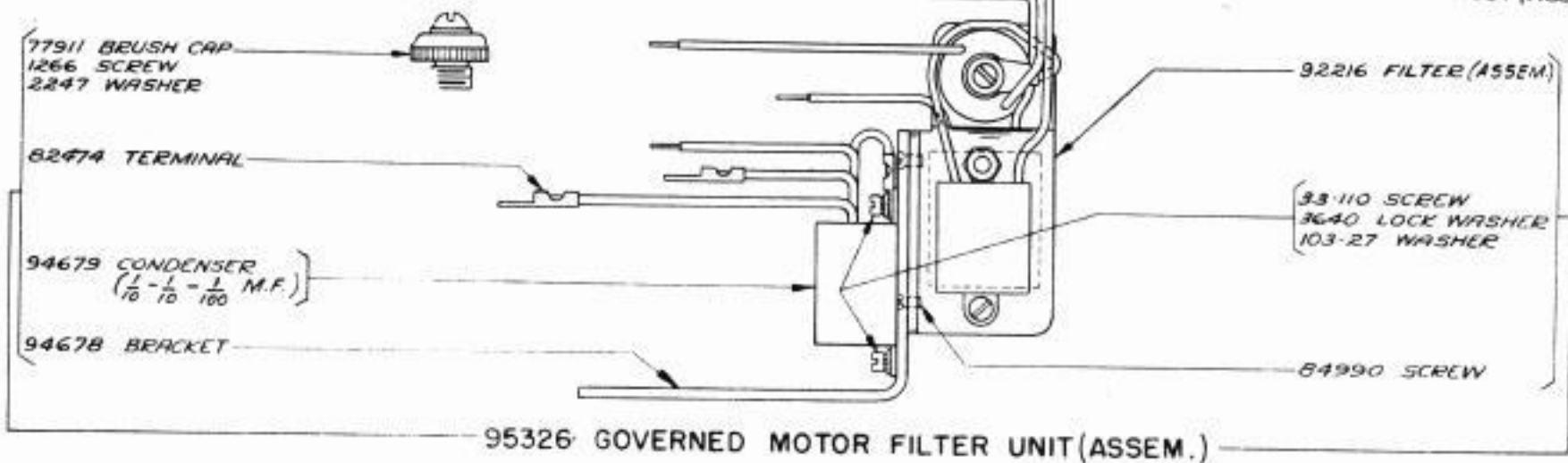
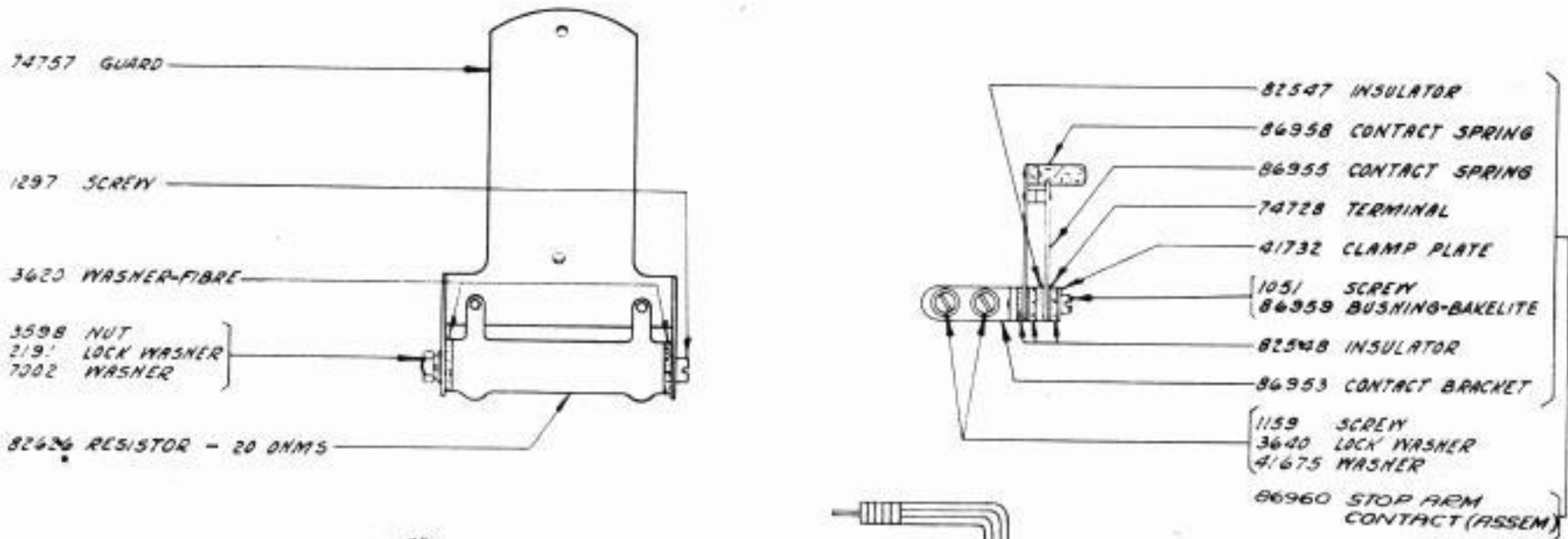
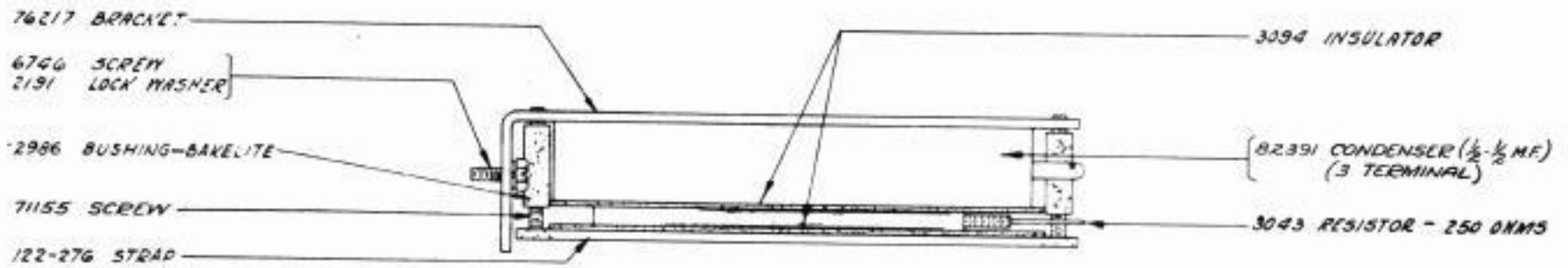
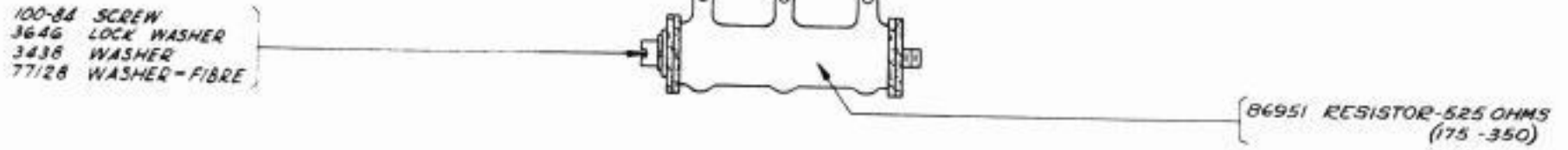
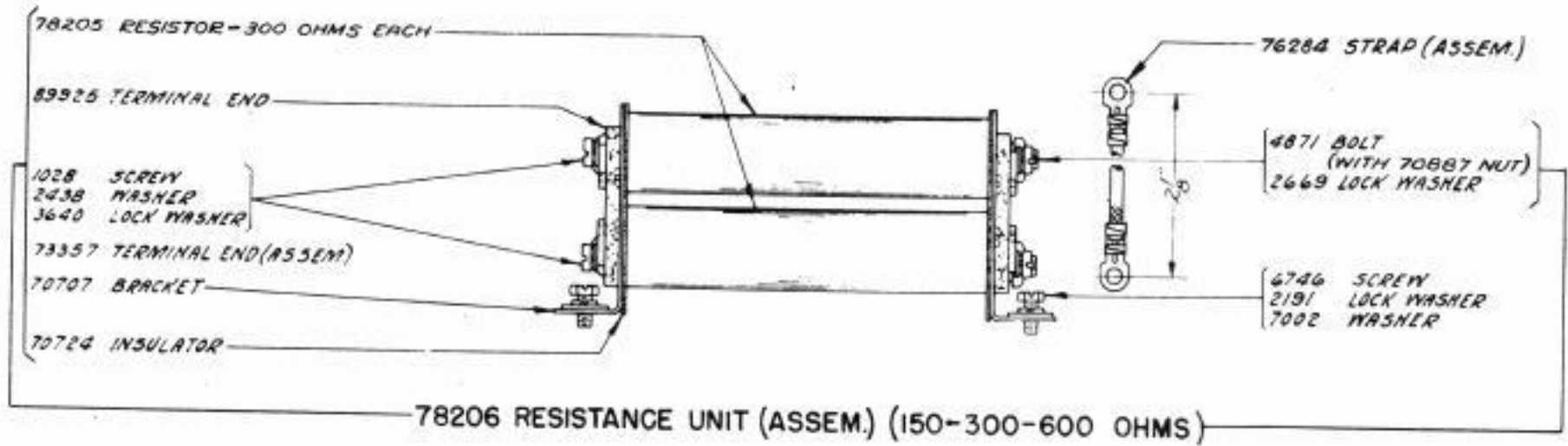
(PARTS NOT LISTED ARE THE SAME AS FOR REGULAR PERFORATED TAPE)

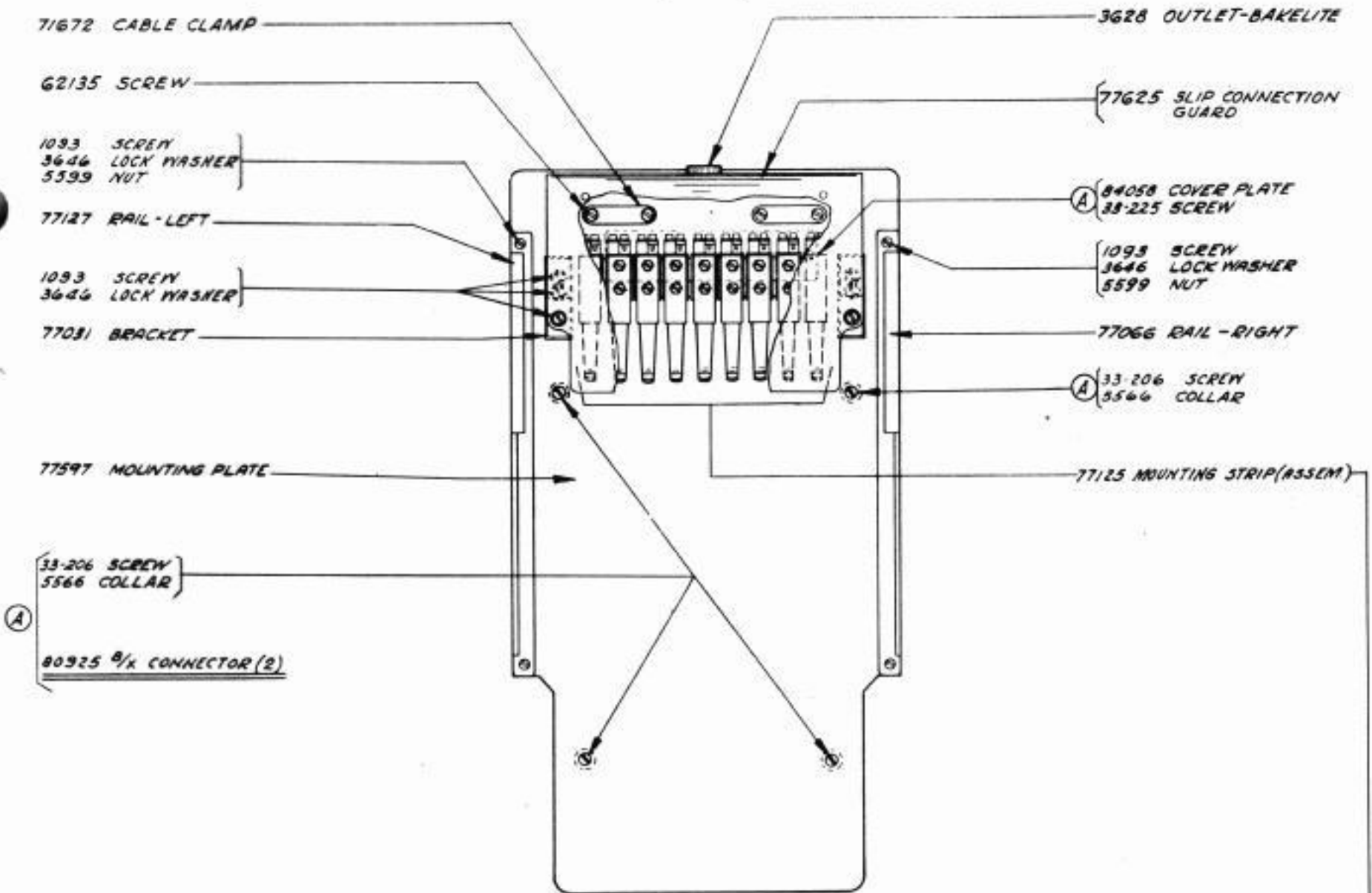


(A) 98137 SETS OF PARTS

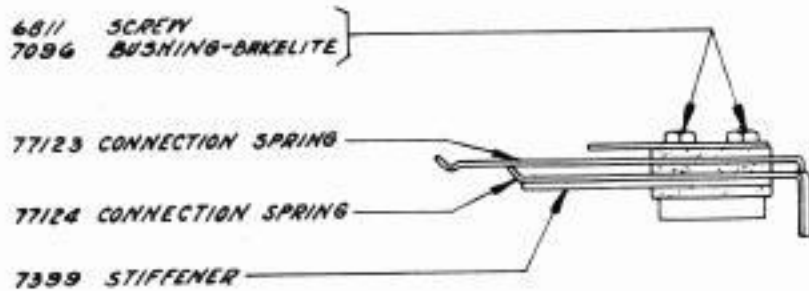
(A) FOR ORDERING INFORMATION AND COMPONENT PARTS SEE NOTES OF EXPLANATION, PAGE 18.

(B) SEE PAGE 18 FOR NOTES OF EXPLANATION.

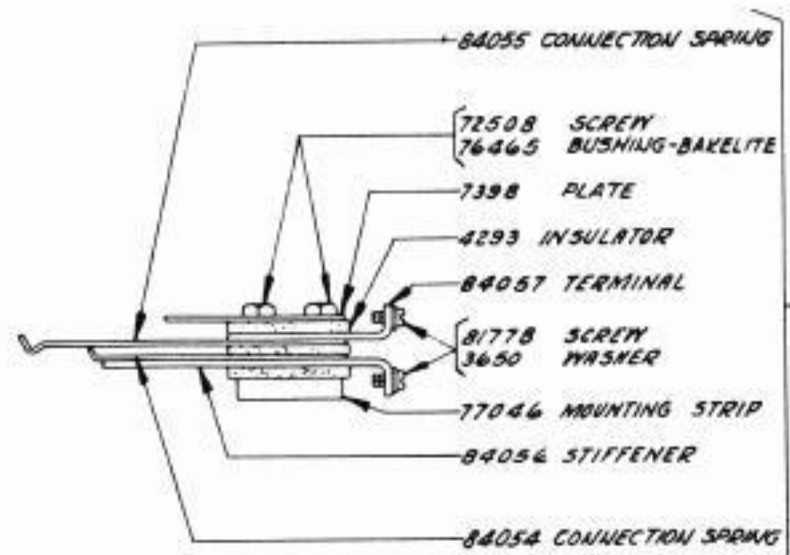




PARTS MARKED (A) ARE USED FOR MOUNTING A TRANSMITTER DISTRIBUTOR MOUNTING PLATE (ASSEM.) ON A WOODEN TABLE.



OLD STYLE CONNECTION SPRINGS
(PARTS NOT LISTED SAME AS IN NEW STYLE)

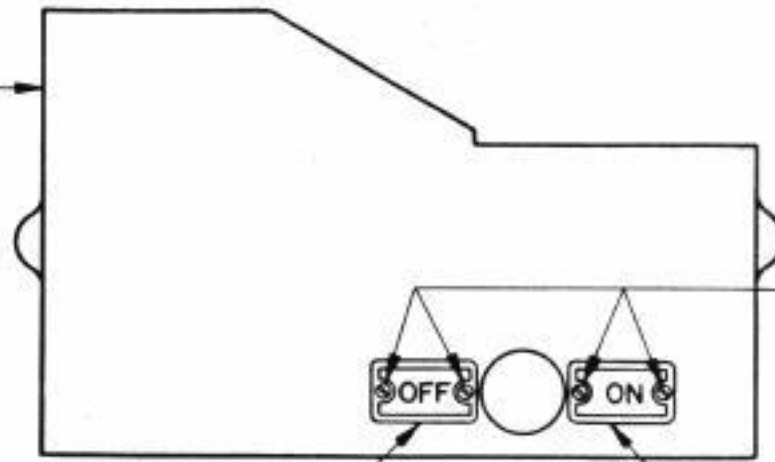


NEW STYLE CONNECTION SPRINGS

84103 TRANSMITTER DISTRIBUTOR MOUNTING PLATE (ASSEM.)-BLACK GLOSS
(EXCLUDES PARTS MARKED (A))

77598 TRANSMITTER DISTRIBUTOR MOUNTING PLATE (ASSEM.)-BLACK GLOSS
(INCLUDES PARTS MARKED (A))

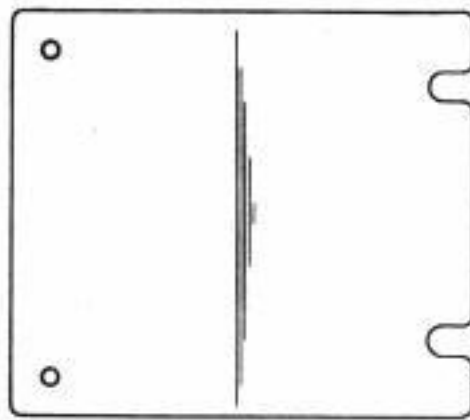
103184 TRANSMITTER SNAP PANEL-
BLACK GLOSS
95957 TRANSMITTER SNAP PANEL-
BLACK WRINKLE



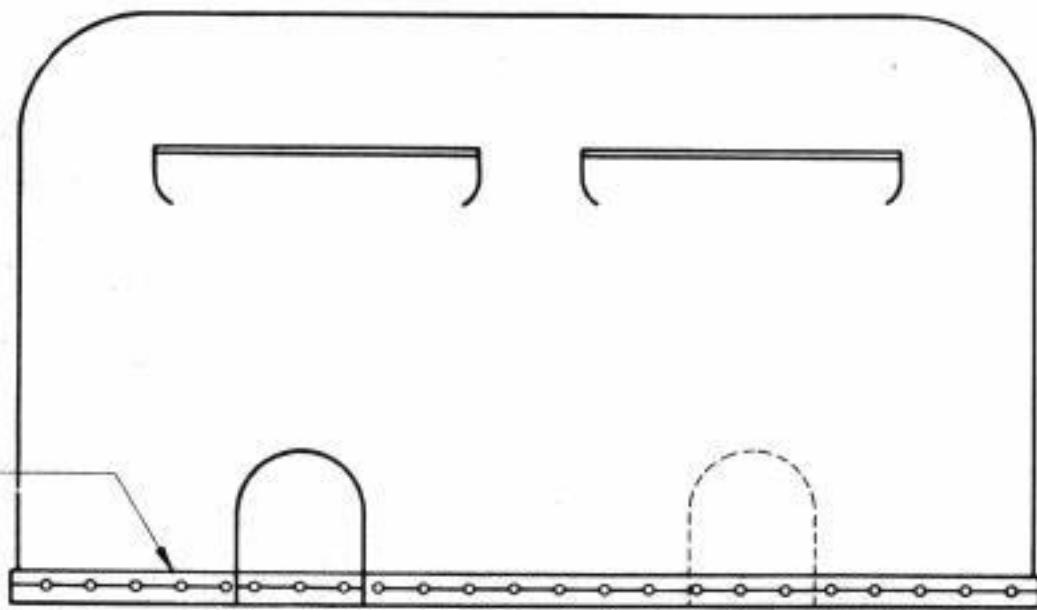
87636 SCREW
3/4-11 NUT

82729 NAME PLATE

82728 NAME PLATE

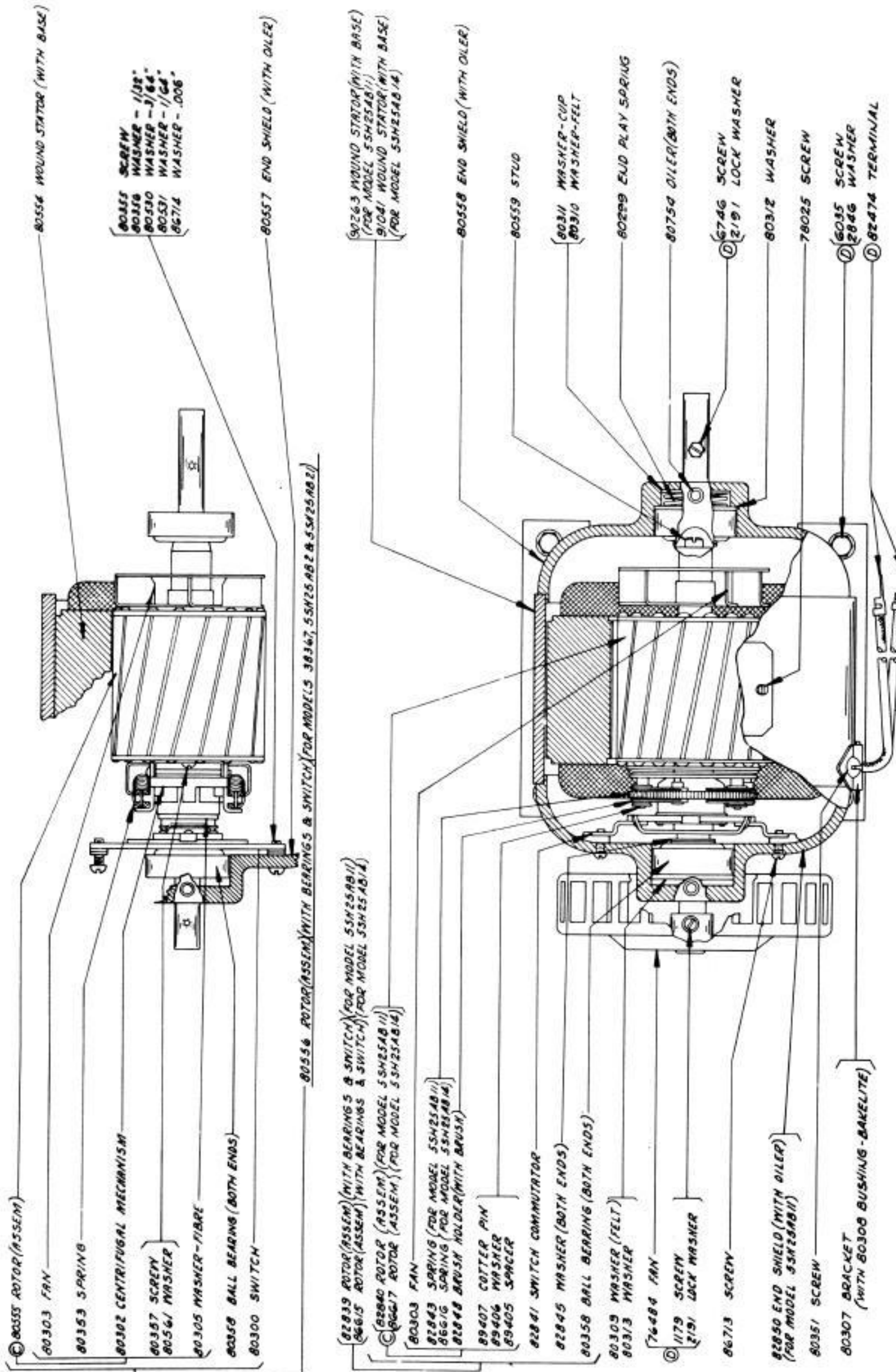


5555 TRANSMITTER COVER -
BLACK GLOSS
95174 TRANSMITTER COVER -
STAINLESS STEEL



7826 CHANNEL-RUBBER

77091 DISTRIBUTOR COVER-BLACK GLOSS
91224 DISTRIBUTOR COVER-BLACK WRINKLE



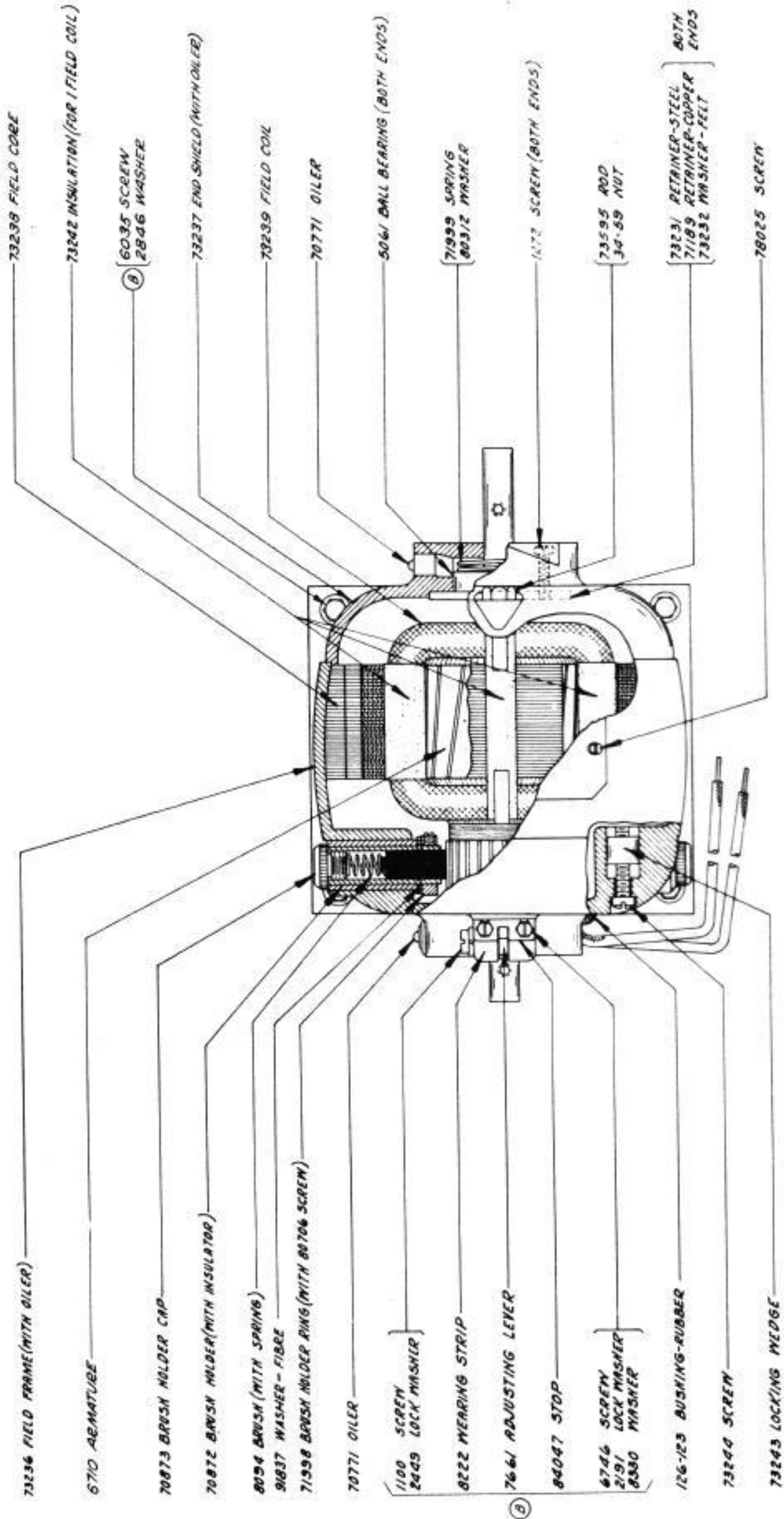
80556 ROTOR (ASSEM)
 80303 FAN
 80353 SPRING
 80302 CENTRIFUGAL MECHANISM
 80357 SCREW
 80541 WASHER
 80305 WASHER - FIBRE
 80358 BALL BEARING (BOTH ENDS)
 80300 SWITCH
 80554 WOUND STATOR (WITH BASE)
 80357 END SHIELD (WITH OILER)
 80556 ROTOR (ASSEM) (WITH BEARINGS & SWITCH) (FOR MODELS 38367, 55H25AB2 & 55H25AB2)

82839 ROTOR (ASSEM) (WITH BEARINGS & SWITCH) (FOR MODEL 55H25AB11)
 86615 ROTOR (ASSEM) (WITH BEARINGS & SWITCH) (FOR MODEL 55H25AB14)
 82840 ROTOR (ASSEM) (FOR MODEL 55H25AB11)
 86617 ROTOR (ASSEM) (FOR MODEL 55H25AB14)
 80303 FAN
 82843 SPRING (FOR MODEL 55H25AB11)
 86616 SPRING (FOR MODEL 55H25AB14)
 82848 BRUSH HOLDER (WITH BRUSH)
 89407 COTTER PIN
 89406 WASHER
 89405 SPACER
 82841 SWITCH COMMUTATOR
 82845 WASHER (BOTH ENDS)
 80358 BALL BEARING (BOTH ENDS)
 80309 WASHER (FELT)
 80313 WASHER
 76484 FAN
 1179 SCREW
 2191 LOCK WASHER
 86713 SCREW
 82850 END SHIELD (WITH OILER)
 (FOR MODEL 55H25AB11)
 80351 SCREW
 80307 BRACKET
 (WITH 80308 BUSHING - BAKELITE)
 80556 WOUND STATOR (WITH BASE)
 80357 END SHIELD (WITH OILER)
 80559 STUD
 80311 WASHER - CUP
 80310 WASHER - FELT
 80299 END PLAY SPRING
 80750 OILER (BOTH ENDS)
 6746 SCREW
 2191 LOCK WASHER
 80312 WASHER
 78025 SCREW
 8035 SCREW
 2846 WASHER
 82474 TERMINAL

(B) 82283 SYNCHRONOUS MOTOR, 1/40 H.P., 110 V., 60 CYCLE A.C. (G.E. MODEL 55H25AB11) (EXCLUDES PARTS MARKED (D))
 82714 SYNCHRONOUS MOTOR, 1/40 H.P., 110 V., 50 CYCLE A.C. (G.E. MODEL 55H25AB14)

(A) 86707 SET OF MOTOR AND GEAR PARTS (FOR 368 O.P.M.-60 CYCLE)
 86708 SET OF MOTOR AND GEAR PARTS (FOR 240 O.P.M.-60 CYCLE)
 91121 SET OF MOTOR AND GEAR PARTS (FOR 368 O.P.M.-50 CYCLE)

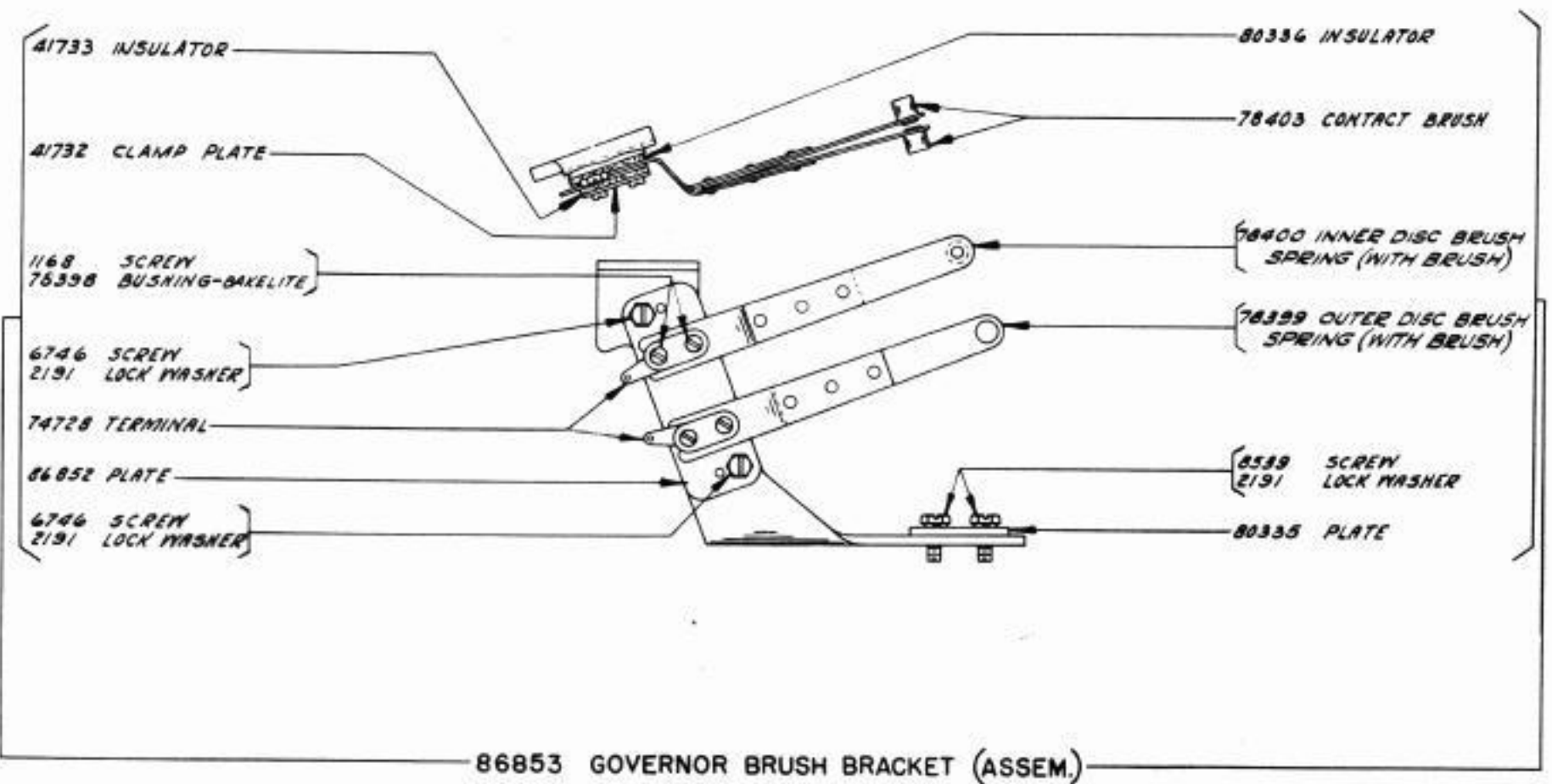
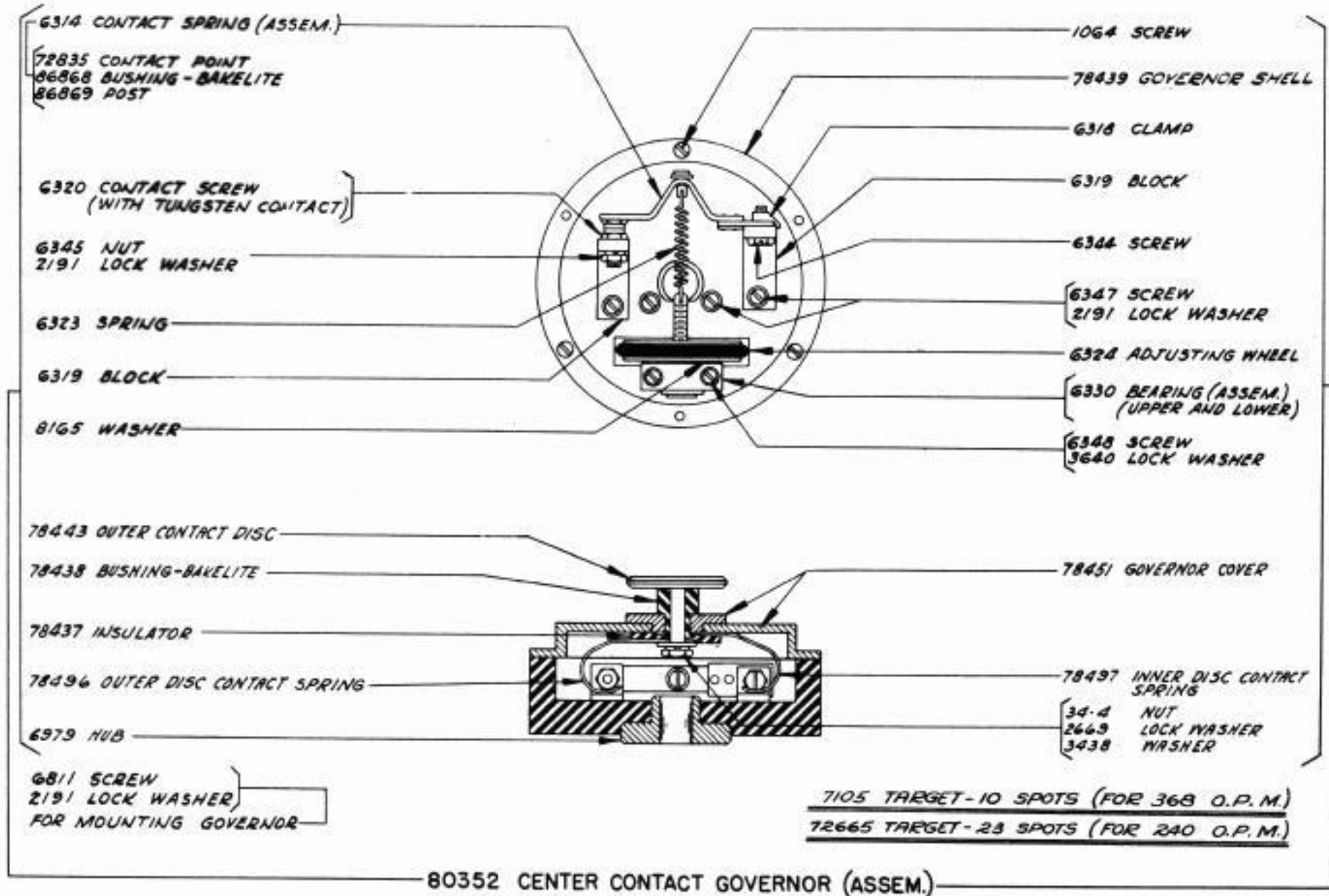
(A) (B) (C) SEE PAGES 18 AND 19 FOR NOTES OF EXPLANATION

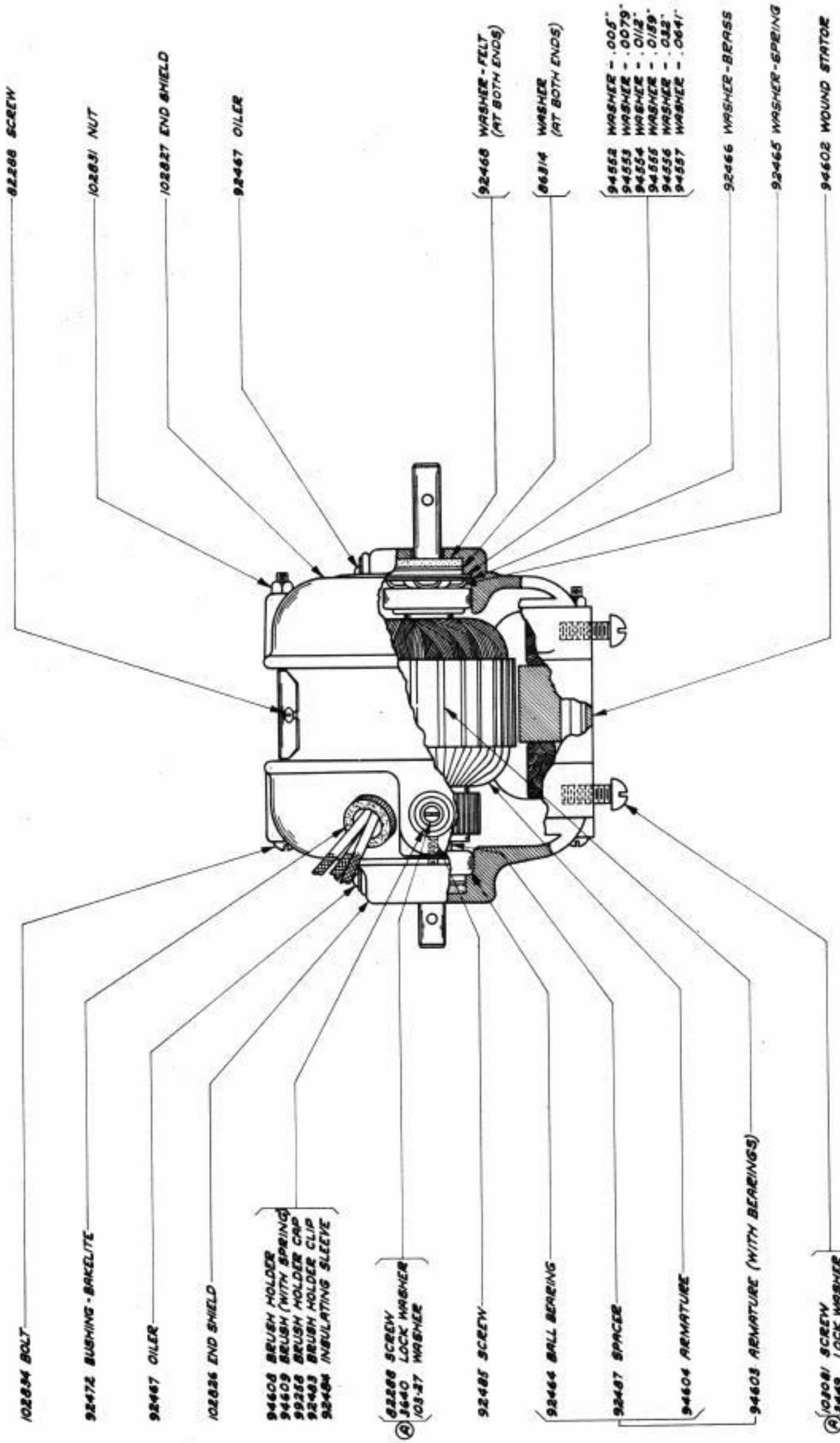


6708 MOTOR, 1/25 H.P., 110 V., 60 CYCLE A.C. SERIES (G.E. MODEL 28479 OR 58A65AA77)
(EXCLUDES PARTS MARKED (B))

(A) 86700 SET OF MOTOR AND GEAR PARTS (240 OR 368 O.P.M.)

(A) SEE PAGE 19 FOR NOTES OF EXPLANATION.

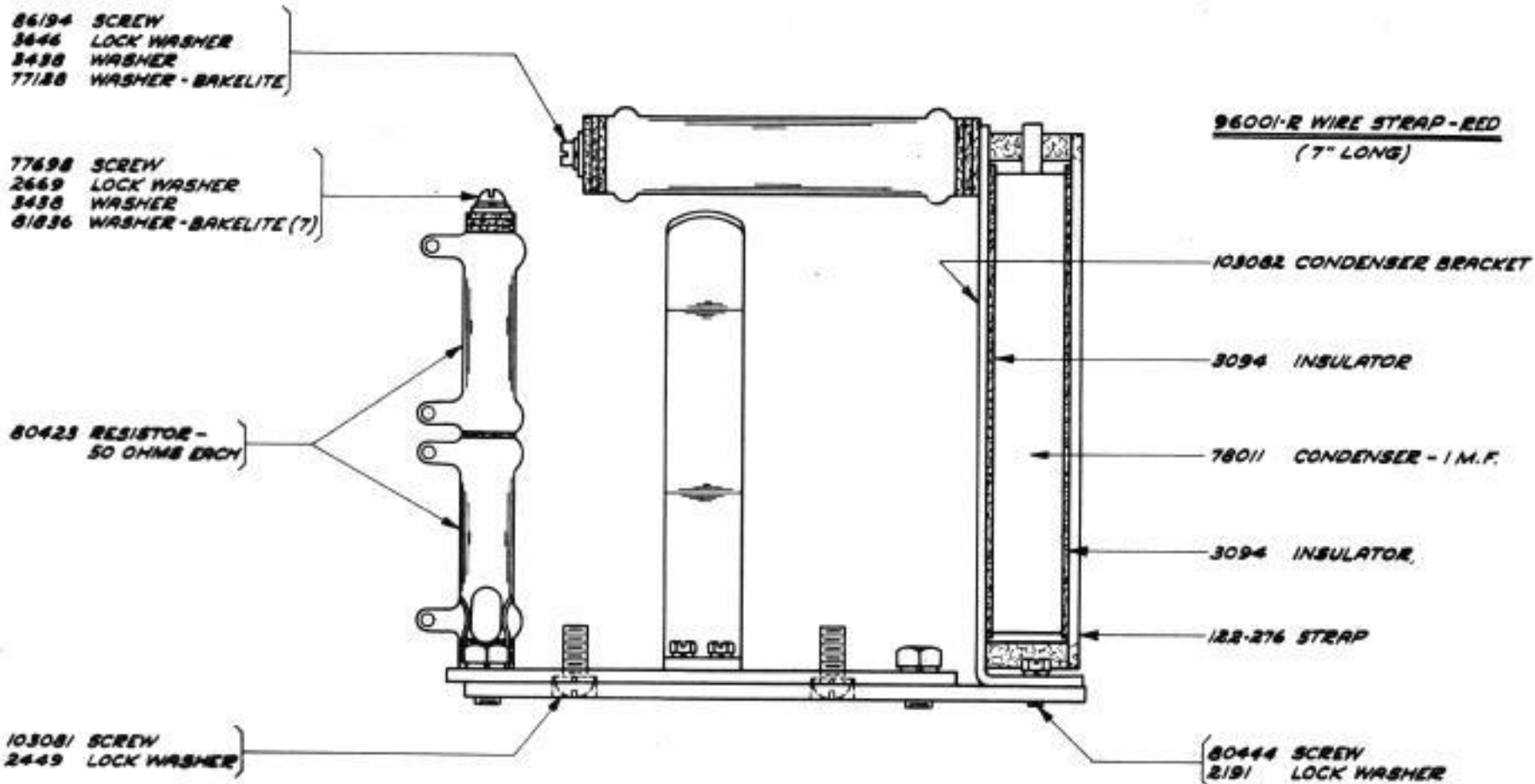
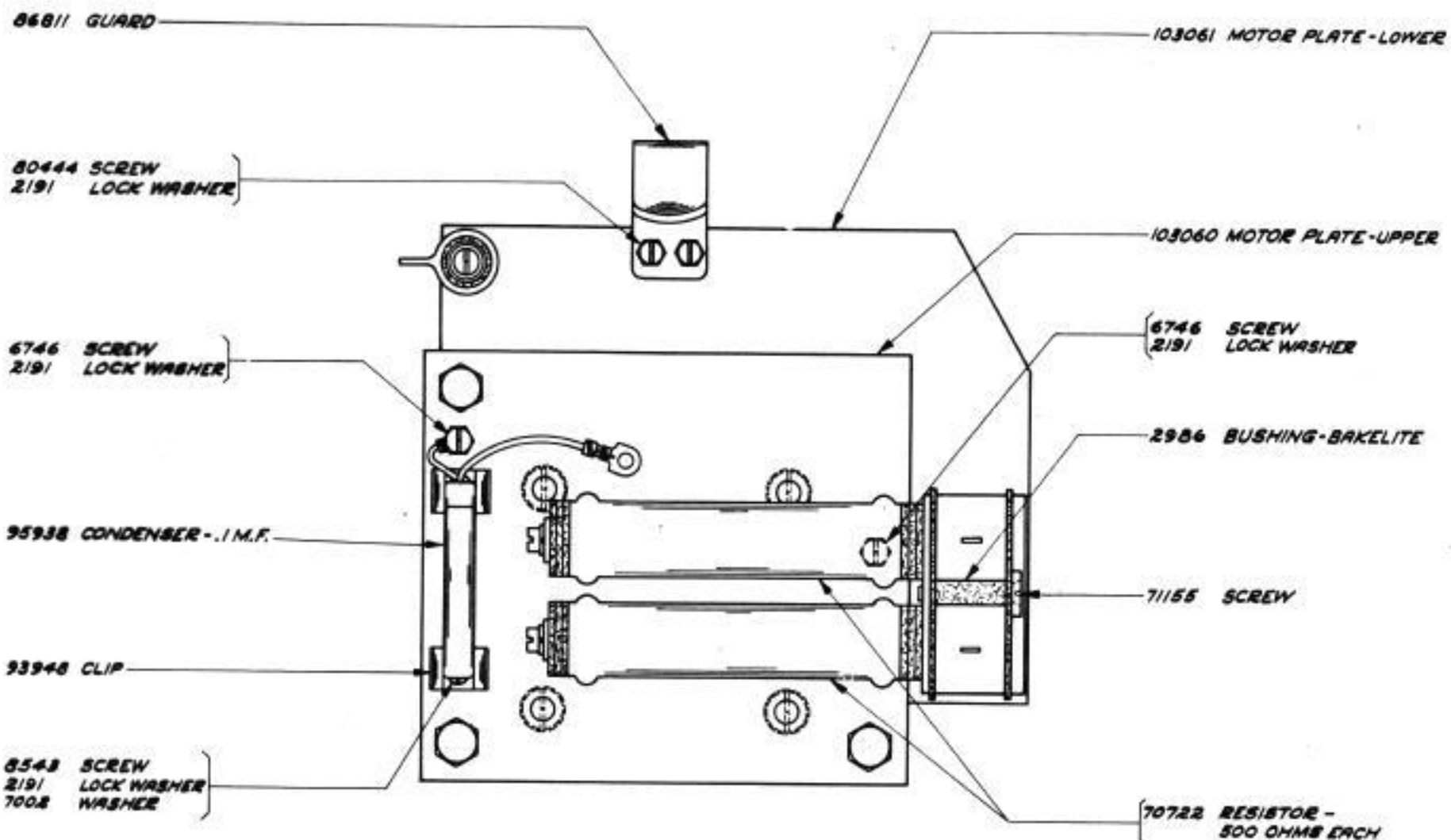




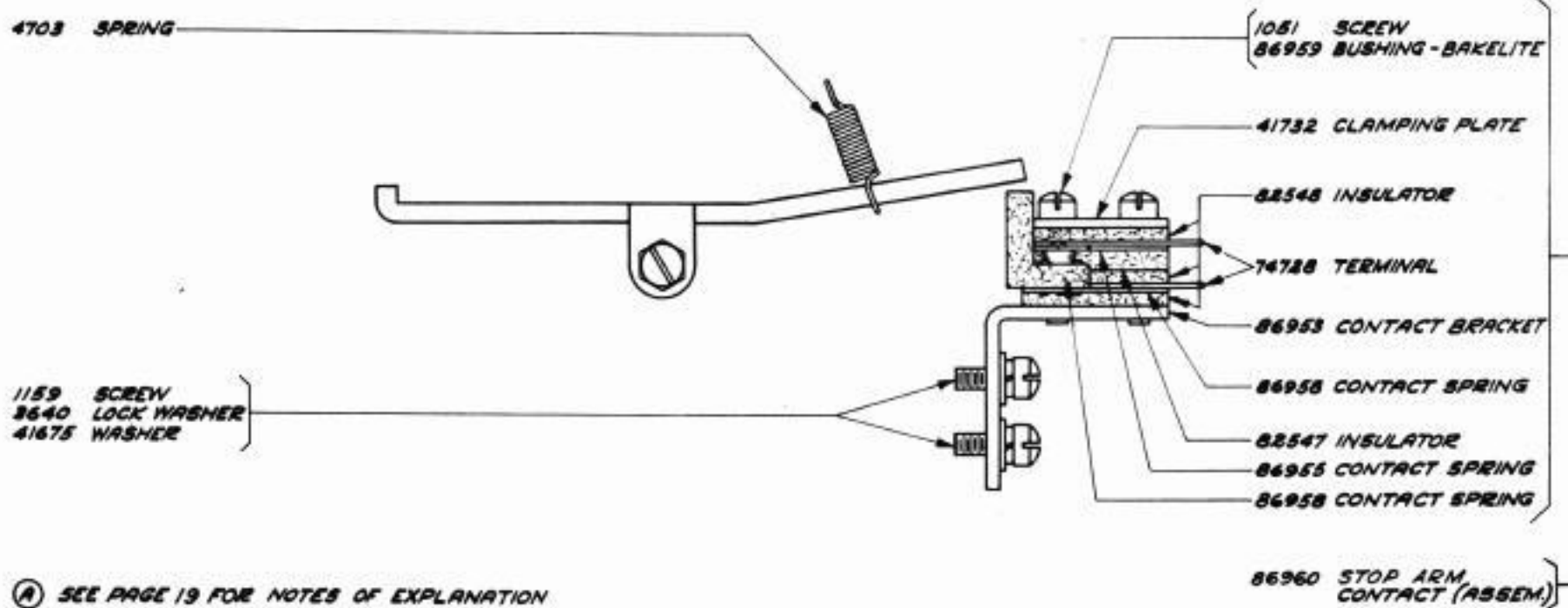
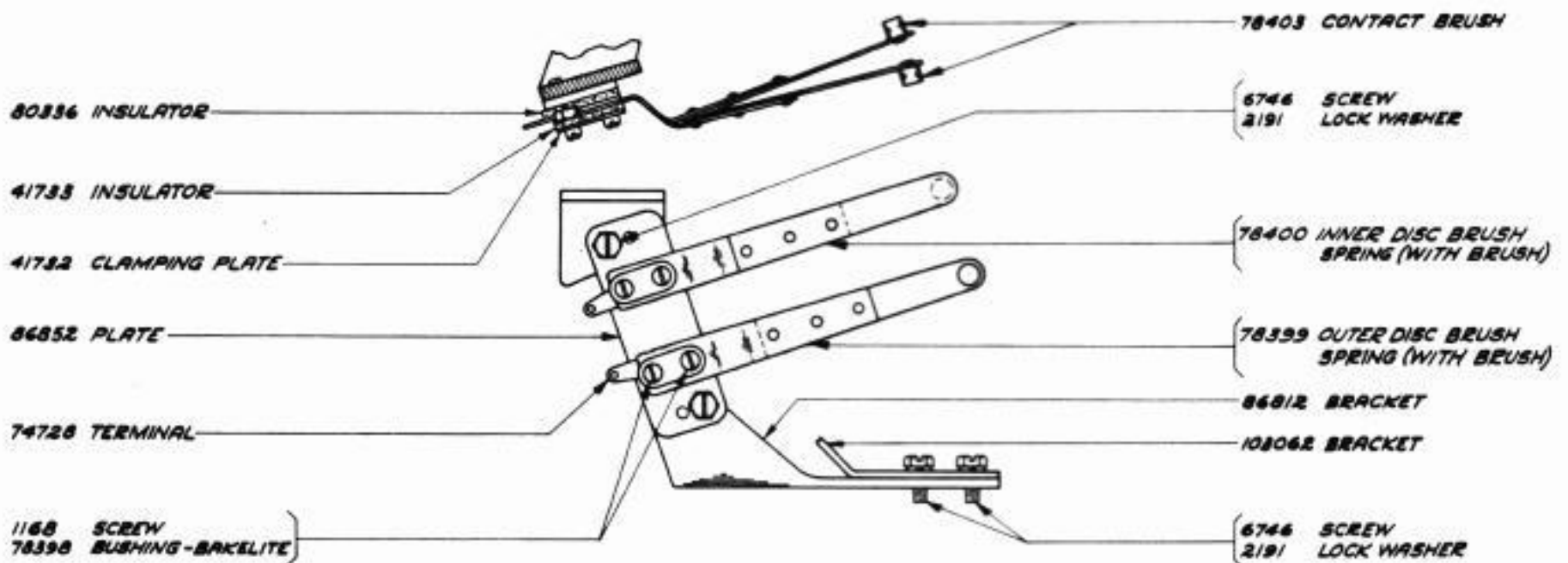
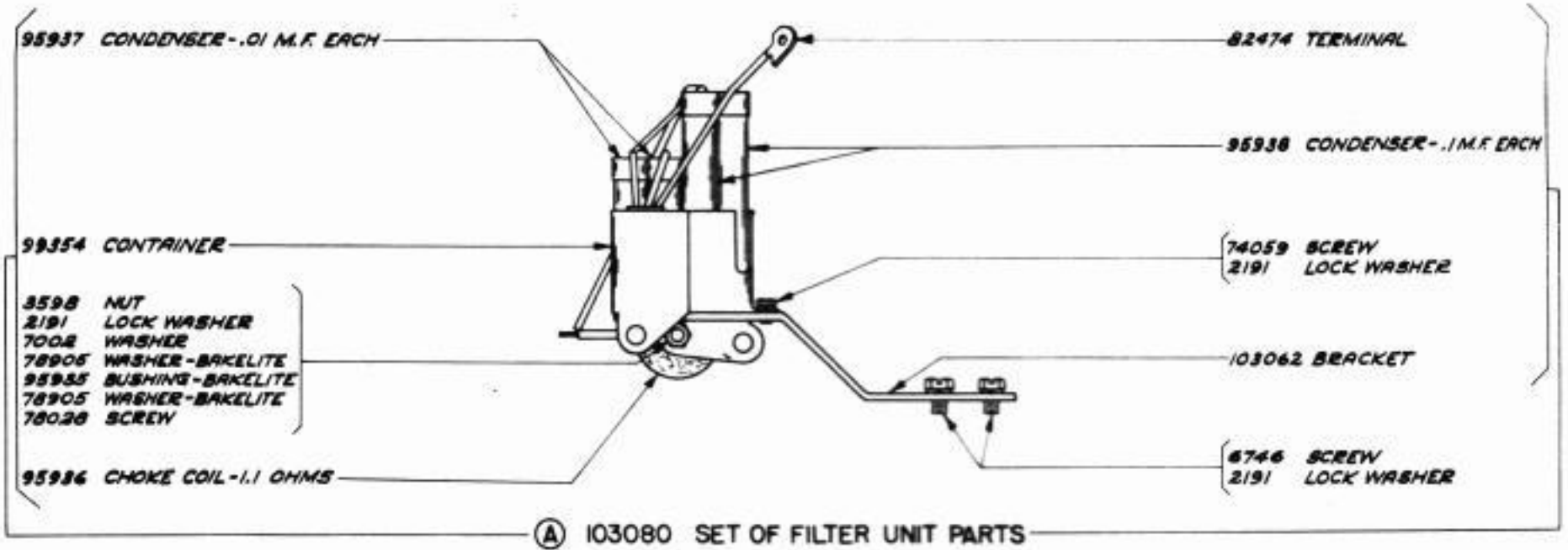
102969 MOTOR, 1/40 H.P., 110 V., 60 CYCLE A.C. SERIES (H.C. MODEL S-9046)
(EXCLUDES PARTS MARKED (A))

(B) 103559 SET OF MOTOR PARTS (CONSISTS OF ALL PARTS LISTED ON PAGES 14, 15, 16, & 17)

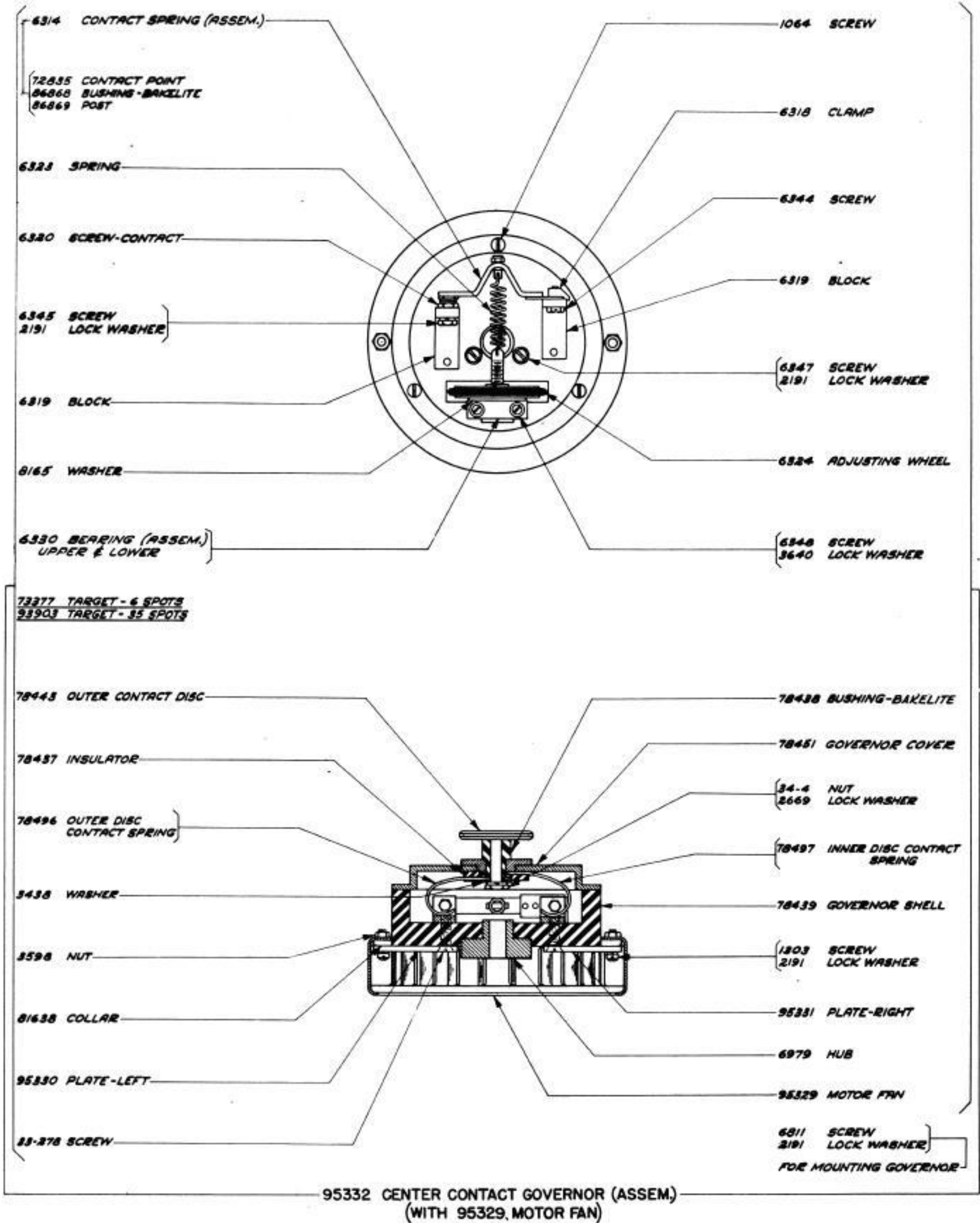
(B) SEE PAGE 19 FOR NOTES OF EXPLANATION



103083 CABLE - CONTROL AND
STOP ARM CONTACTS
(N.D. - 2069-2084)



(A) SEE PAGE 19 FOR NOTES OF EXPLANATION



NOTES OF EXPLANATION

Page 2

- (A) The 101441 cam (stamped "X") supersedes the old style 77074 cam. When ordering a 101441 cam to replace a 77074 cam, the following parts (shown on page 5) must also be ordered: 101439 feed lever stop - 1, 2191 lock washer - 1, and 3649 washer - 1.

Page 3

- (A) Parts marked (A) are used only with the universal release magnet assembly, as shown. The old style magnet assembly (for D.C. only) does not use the 84114 yoke, 8896 shims, 1248 screws and 86951 resistor; and instead of the 84115 armature, M-198 magnet (72 ohms) and 6746 screws, the old style magnet assembly uses 77090 armature, M-153 magnet (130 ohms) and 33-58 screws.

Parts not marked are used on both old and new style magnet assemblies.

Pages 6 & 7

- (A) The 98137 set of parts, required to equip a five unit transmitter distributor with a tape-out contact mechanism and parts for handling either chadless or regular perforated tape, consists of the following parts:

41382	Spring	5		300-319	Lid Holder	1
97447	Contact Pin	1		36-153	Dowel	2
97448	Contact Pin Guide	1		300-320	Shaft) for 300-319	1
1159	Mounting Screw	2		97445	Retaining Lid	1
3640	Lock Washer	2		99230	Lid Plate	1
103-27	Washer	2		95954	Screw Plate	1
97467	Tape-Out Contact (Assem.)	1		95953	Shims)	12
	(See Page 7 for Component			1168	Screw) for 95954	2
	Parts)			300-322	Latch	1
6746	Mounting Screw	2		36-51	Shaft	1
2191	Lock Washer	2		35-137	Spring) for 300-322	1
101393	Tape Retaining Lid (Assem.)	1				
98069	Tape Guide Wire	1				
7002	Washer (for 98069)	2				
96258-R	Strap	1				

Page 7

- (B) The 101274 tape stop rod and the 97468 tape guide plate are not included in the 98137 set of parts, and should be ordered separately when required.

A 98155 drill jig may be ordered for use in working over a 77033 tape guide plate (shown on page 6) to a 97468 tape guide plate.

Page 11

- (A) The 86707 set of motor and gear parts (for 368 O.P.M. - 60 cycle) consists of the following parts:

82283	Motor - Synchronous - 60 Cycle	1
80165	Gear - 44T	1
80166	Pinion - 9T	1
82474	Terminals - Motor Leads	2
76484	Fan - Motor	1
1179	Screw	1
2191	Lock Washer) for 76484	1
55669	Spring - Stop Arm	1

The 86708 set of motor and gear parts (for 240 O.P.M. - 60 cycle) consists of the following parts:

82283	Motor - Synchronous - 60 Cycle	1
80163	Gear - 45T	1
80164	Pinion - 6T	1
82474	Terminal - Motor Leads	2
76484	Fan - Motor	1
1179	Screw	1
2191	Lock Washer) for 76484	1
55669	Spring - Stop Arm	1

The 91121 set of motor and gear parts (for 368 O.P.M. - 50 cycle) consists of the following parts:

82714	Motor - Synchronous - 50 Cycle	1
91132	Gear - 53T	1
91131	Pinion - 13T	1
82474	Terminal - Motor Leads	2
76484	Fan - Motor	1
1179	Screw	1
2191	Lock Washer) for 76484	1
55669	Spring - Stop Arm	1

Page 11 (Cont.)

- (B) G.E. Model 38367 (80553) has been superseded by G.E. Model 58H25AB2 (80553)
 G.E. Model 58H25AB2 (80553) has been superseded by G.E. Model 58H25AB21 (80553)
 G.E. Model 58H25AB21 (80553) has been superseded by G.E. Model 58H25AB11 (82283)

(C) Rotor No.	Model No.	Motor No.	Rotor Stamping	Cycle
80555	38367	80553	4277621-2	60
80555	58H25AB-2	80553	4277621-2	60
80555	58H25AB-21	80553	4277621-2	60
82840	58H25AB-11	82283	5052220-1	60
86617	58H25AB-14	82714	4290072-G-5	50

Page 12

- (A) The 86700 set of motor and gear parts (for 240 or 368 O.P.M.) consists of the following parts:

6708	Motor - A.C. Governed	1
77036	Gear - 40T	1
77034	Pinion-7T	1
80352	Center Contact Governor (Assem.)	1
91617	Shims	5
6811	Screw	1
2191	Lock Washer } for 80352	1
72665	Target - 23 Spots (for 240 O.P.M.)	1
7105	Target - 10 " (for 368 O.P.M.)	1
86853	Governor Brush Bracket (Assem.)	1
86811	Guard	1
8539	Screw	2
2191	Lock Washer } for 86811	2
7002	Washer	2
7001	Washer	2
74757	Guard	1
82626	Resistor - 20 ohms	1
1297	Screw	1
7002	Washer	2
3620	Washer - Bakelite } for 82626	2
2191	Lock Washer	1
3598	Nut	1
78206	Resistance Unit (Assem.)	1
6746	Screw	2
2191	Lock Washer } for 78206	2
7002	Washer	2
76217	Bracket - Condenser	1
6746	Screw	2
2191	Lock Washer } for 76217	2
82391	Condenser - 1 M.F.	1
3043	Resistor - 250 ohms	1
3094	Insulator	3
2986	Bushing - Bakelite } for 82391	3
122-276	Strap	1
71155	Screw	2
7661	Adjusting Lever	1
1100	Screw	1
2449	Lock Washer	1
84047	Stop	1
8222	Wearing Strip	1
6746	Screw	2
2191	Lock Washer	2
8330	Washer	2
86960	Stop Arm Contact (Assem.)	1
1159	Screw	2
3640	Lock Washer } for 86960	2
41675	Washer	2
76284	Strap	1
77126	Cable - Power (W.D. - 2084)	1
87469	Cable - Stop Arm Contact (W.D. - 2084)	1
4703	Spring - Stop Arm	1

Page 14

- (B) The 103559 set of motor parts is used for convenient conversion from 60 cycle synchronous motor drive to series governed motor drive using the same gear (80165) and the same pinion (80166) for 368 O.P.M.

Page 16

- (A) The 103080 Set of Filter Unit Parts also includes the 95938 condenser-.1 M.F. shown on page 15 and the 82288 screws, 3640 lock washers, and 103-27 washers, shown with the 99258 brush holder caps on page 14.

NUMERICAL INDEX

M-153	Magnet - 130 Ohms, 18	1168	Screw (4-40 x 5/16), 3,4,	7096	Bushing - Bakelite, 9
M-198	Magnet - 72 Ohms, 3,18	1169	6,13,16,18	7105	Target - 10 Spots, 13,19
33-50	Screw (4-40 Shoulder), 6	1176	Screw (6-40 x 7/16), 4,5	7398	Plate, 9
33-58	Screw (6-32 x 7/16), 18	1177	Screw (6-40 x 3/16), 5	7399	Stiffener, 9
33-110	Screw (4-40 x 3/16), 8	1179	Screw (4-40 x 11/32), 2	7661	Adjusting Lever, 12,19
33-158	Screw (6-40 x 1/2), 5	1196	Screw (6-40 x 5/8), 5,11,18	7826	Channel - Rubber, 10
33-206	Screw (#10 Wood), 9	1206	Screw (6-40 Shoulder), 2	8094	Brush (with Spring), 12
33-225	Screw (6-32 x 3/16), 9	1248	Screw (4-40 x 9/16), 2,7	8165	Washer, 13,17
33-276	Screw (3-48 x 5/16), 4	1262	Screw (6-40 x 1/2), 3,18	8222	Wearing Strip, 12,19
33-278	Screw (6-32 x 9/16), 17	1264	Screw (6-32 x 5/16), 4	8330	Washer, 2,3,12,19
33-334	Screw (4-40 Shoulder), 4	1266	Screw (10-32 x 1/2), 5	8491	Wearing Strip, 6
33-335	Screw (1/4-32 Pilot), 5	1272	Screw (6-32 x 7/16), 8	8539	Screw (6-40 x 1/2), 1,
33-337	Screw (4-40 Shoulder), 6	1293	Screw (6-40 x 11/16), 12		2,3,6,13,19
34-1	Nut (1/4-32 Hex.), 3	1297	Screw (4-40 x 1/8), 6	8543	Screw (6-40 x 1/4), 15
34-4	Nut (10-32 Hex.), 2,13,17	1303	Screw (6-40 x 2-7/16), 8,19	8896	Shim, 3,18
34-11	Nut (2-56 Hex.), 10	2084	Screw (6-40 x 13/32), 4,17	9520	Terminal Block, 4
34-48	Nut (6-32 Hex.), 4	2191	Roller, 2	32464	Nut (5-40 Hex.), 3
34-59	Nut (10-30 Hex.), 12	2201	Lock Washer, 1 to 8, 11,12,	41382	Spring, 7,18
34-64	Nut (3-48 Square), 4	2247	13,15 to 19	41675	Washer, 8,16,19
35-33	Detent Spring, 6	2382	Nut (5/16-32 Hex.), 2	41732	Clamp Plate, 3,7,8,13,16
35-137	Latch Spring, 6, 18	2438	Washer, 8	41733	Insulator, 3,7,13,16
35-140	Spring, 4	2449	Lock Washer, 2	42823	Washer, 4
36-51	Shaft, 6,18	2669	Washer, 3,8	55669	Spring, 3,18
36-73	Pin, 6	2846	Lock Washer, 12,14,15,19	58221	Screw (6-32 x 1/4
36-153	Dowel, 6,18	2986	Lock Washer, 3,4,5,8,13,15,17		Terminal), 4
100-84	Screw (8-40 x 2-17/32), 8	3043	Washer, 1,11,12	62135	Screw (6-32 x 5/8), 9
103-27	Washer 7,8,14,18,19	3094	Bushing - Bakelite, 8,15,19	70707	Bracket, 8
112-7	Screw (6-56 Contact), 4	3288	Resistor - 250 Ohms, 8,19	70722	Resistor - 500 Ohms, 15
122-97	Bushing - Bakelite, 6	3432	Insulator, 8,15,19	70724	Insulator, 8
122-276	Strap, 8,15,19	3438	Washer, 2	70771	Oiler, 12
123-37	Post, 3	3598	Wire Terminal, 4	70872	Brush Holder (with
126-123	Bushing - Rubber, 12	3599	Washer, 5,8,13,15,17		Insulator), 12
300-106	Lever Bearing, 5	3618	Nut (6-40 Hex.), 2,8,16,17,19	70873	Brush Holder Cap, 12
300-107	Contact Screw Bridge -	3620	Nut (4-40 Hex.), 6	70887	Nut (3/16-24 Hex.), 8
	New Style, 4	3624	Insulator, 6	71155	Screw (6-32 x 1-1/4), 8,
300-108	Bridge, 4	3628	Washer - Fibre, 8,19		15,19
300-109	Bridge, 4	3640	Washer - Brass, 6	71189	Retainer - Copper, 12
300-110	Insulator, 4	3646	Outlet - Bakelite, 9	71672	Cable Clamp, 9
300-113	Tip - Brass, 4	3649	Lock Washer, 3,6,7,8,13,14,	71998	Brush Holder Ring (with
300-121	Lever Shaft, 5	3650	16,17,18,19		80706 Screw), 12
300-128	Feed Lever, 4	4293	Lock Washer, 8,9,15	71999	Spring, 12
300-137	Lever Guide, 5	4703	Washer, 5,18	72069	Shim, 6
300-152	Adjusting Lever, 6	4707	Washer, 9	72074	Brace, 4
300-170	Lever #1 (with Armature), 6	4708	Insulator, 9	72137	Shim, 6
300-171	Lever #2 (with Armature), 6	4814	Spring, 3,16,19	72138	Retaining L ¹ , 6
300-172	Lever #3 (with Armature), 6	4871	Washer, 4	72139	Screw Plate, 6
300-173	Lever #4 (with Armature), 6	5061	Spring, 4	72140	Lid Plate, 6
300-174	Lever #5 (with Armature), 6	5446	Lock Washer, 2	72183	Bridge - Short, 4
300-178	Spring Anchor, 4	5555	Bolt (3/16-24 x 4), 8	72184	Bridge - Long, 4
300-179	Terminal Block, 4	5566	Ball Bearing, 12	72185	Contact Screw Bridge -
300-181	Feed Pawl, 4	5599	Screw (6-40 x 9/16), 4		Old Style, 4
300-201	Bracket - Right, 5	5740	Transmitter Cover - Black	72188	Retaining Lid (Assem.), 6
300-301	Top Plate (with Wearing	6035	Gloss, 10	72508	Screw (6-40 x 3/4), 9
	Strip), 6	6314	Collar, 9	72579	Washer, 2
300-302	Feed Roll, 6	6318	Nut (8-32 Hex.), 9	72644	Ball Bearing, 2
300-303	Feed Roll Bearing, 6	6319	Screw (2-56 x 1/4), 6	72665	Target - 23 Spots, 13, 19
300-312	Detent Bracket, 6	6320	Screw (1/4-20 x 5/8), 1,11,12	72835	Contact Point, 13,17
300-314	Detent (Assem.), 6	6323	Contact Spring (Assem.), 13,17	73180	Toggle Switch (Assem.), 1
300-315	Detent Lever, 6	6324	Clamp, 13,17	73231	Retainer - Steel, 12
300-316	Detent Roller, 6	6330	Block, 13,17	73232	Washer - Felt, 12
300-319	Lid Holder, 6,18	6344	Screw (6-32 Contact), 13,17	73236	Field Frame (with Oiler),
300-320	Shaft, 6,18	6345	Spring, 13,17		12
300-322	Latch, 6,18	6347	Adjusting Wheel, 13,17	73237	End Shield (with Oiler),
300-400	Bracket - Left, 5	6348	Bearing (Assem.) (Upper and		12
300-510	Terminal, 4	6708	Lower), 13,17	73238	Field Core, 12
400-3	Brush - Braided Copper	6710	Screw (6-32 x 11/32), 13,17	73239	Field Coil, 12
	Wire, 3	6745	Nut (6-32 Hex.), 13,17	73242	Insulation (for 1 Field
400-218	Terminal, 2	6746	Screw (6-32 x 3/8), 13,17		Coil), 12
1026	Screw (6-40 x 3/8), 4	6803	Screw (4-36 x 3/4), 13,17	73243	Locking Wedge, 12
1028	Screw (4-40 x 1/4), 3,8	6811	Series Motor, 1/25 H.P., 110 V.,	73244	Screw (10-30 x 7/8), 12
1051	Screw (4-40 x 1/2), 3,8,16		60 Cycles A.C., 12,18	73357	Terminal End (Assem.), 8
1054	Screw (6-32 x 1/4), 13,17	6979	Armature, 12	73377	Target - 6 Spots, 17
1086	Screw (4-40 x 3/8), 6	6990	Screw (10-32 x 1/2), 3,4,5	73595	Rod, 12
1093	Screw (8-32 x 7/16), 9	7001	Screw (6-40 x 5/16), 1,2,3,5,7,	74059	Screw (6-40 x 7/32), 3,16
1100	Screw (1/4-32 Pilot), 12,19	7002	8,11,12,13,15,16,18,19	74569	Terminal Block, 4
1103	Screw (3/16-40 Shoulder), 2		Terminal, 4	74727	Terminal, 3
1159	Screw (4-40 x 3/8), 6,7,8,16,		Screw (6-40 x 5/8), 3,5,9,13,	74728	Terminal, 8, 13,16
	18,19		17,18	74757	Guard, 8,19
1160	Screw (6-40 x 5/16), 5		Hub, 13,17	74838	Bearing Cap, 3
1162	Screw (4-40 x 1/4), 6		Screw (1/4-32 Pilot), 3	76086	Friction Spring, 2
1163	Screw (4-40 x .188), 6		Washer, 1,19	76114	Screw (10-32 Special), 2
1164	Screw (2-56 x .188), 5		Washer, 1,2,3,5,6,7,8,15,16,18,19	76217	Bracket, 8,19

NUMERICAL INDEX

76246	Bushing - Bakelite, 3,7	80163	Gear - 45T, 2,18	84579	Washer, 2
76284	Strap (Assem.), 8,19	80164	Pinion - 6T, 2,18	84759	Gear Guard, 6
76465	Bushing - Bakelite, 9	80165	Gear - 44T, 2,18	84892	Stiffener, 7
76484	Fan, 11,18	80166	Pinion - 9T, 2,18	84990	Screw (6-40 x 1/4), 8
77001	Stop Arm, 3	80299	End Play Spring, 11	86194	Screw (8-40 x 4-1/16), 15
77004	Bracket, 5	80300	Switch, 11	86314	Washer, 14
77012	Nut (9/16-32 Special), 1	80302	Centrifugal Mechanism, 11	86615	Rotor (Assem.) (with Bearings and Switch), 11
77018	Friction Disc, 2	80303	Fan, 11	86616	Spring, 11
77019	Friction Washer, 2	80305	Washer - Fibre, 11	86617	Rotor (Assem.), 11,18
77020	Bearing Cover, 2	80307	Bracket, 11	86700	Set of Motor and Gear Parts (240 or 368 O.P.M.), 12,18
77021	Bracket, 3	80308	Bushing - Bakelite, 11	86707	Set of Motor and Gear Parts (for 368 O.P.M. - 60 Cycle), 11,18
77024	Clamp Plate, 3	80309	Washer - Felt, 11	86708	Set of Motor and Gear Parts (for 240 O.P.M. - 60 Cycle), 11,18
77030	Contact Tongue, 6	80310	Washer - Felt, 11	86713	Screw (4-48 x 5/16), 11
77031	Bracket, 9	80311	Washer - Cup, 11	86714	Washer - .006" Thick, 11
77033	Tape Guide Plate, 6,18	80312	Washer, 11,12	86811	Guard, 1,15,19
77034	Pinion - 7T, 2,18	80313	Washer, 11	86812	Bracket, 16
77035	Bracket, 3	80335	Plate, 13	86816	Eccentric Stop, 3
77036	Gear - 40T, 2,18	80336	Insulator, 13,16	86819	Collar, 3
77040	Contact Spring, 3	80351	Screw (8-36 x 5/16), 11	86852	Bracket Plate (Assem.) 13,16
77046	Mounting Strip, 9	80352	Center Contact Governor (Assem.), 13,18	86853	Governor Brush Bracket (Assem.), 13,19
77048	Bushing - Bakelite, 3	80353	Spring, 11	86868	Bushing - Bakelite, 13,17
77049	Operating Lever, 2	80355	Screw (4-48 x 7/16), 11	86869	Post, 13,17
77050	Arm, 6	80356	Washer - 1/32" Thick, 11	86951	Resistor - 525 Ohms (175-350), 3,8,18
77051	Post, 3	80357	Screw (4-48 x 1/4), 11	86953	Contact Bracket, 8,16
77054	Contact Spring Post, 3	80358	Ball Bearing, 11	86955	Contact Spring, 8,16
77056	Mounting Strip, 4	80423	Resistor - 50 Ohms, 15	86958	Contact Spring, 8,16
77057	Brush Holder, 3	80444	Screw (6-40 x 1/4), 15	86959	Bushing - Bakelite, 8,16
77058	Cam Hub, 2	80467	Screw (6-40 x 3/8), 3	86960	Stop Arm Contact (Assem.), 8,16,19
77063	Stop Post, 3	80530	Washer - 3/64" Thick, 11	87222	Gear - 44T, 2
77066	Rail - Right, 9	80531	Washer - 1/64" Thick, 11	87390	Set of Universal Release Magnet Parts, 3
77068	Base Plate, 5	80553	Synchronous Motor, 1/50 H.P., 110 V., A.C., 60 Cycle, 18	87469	Cable - Stop Arm Contact, 1,19
77070	Disc (Assem.), 2	80554	Wound Stator (with Base), 11	87636	Screw (2-56 x 3/16), 10
77074	Cam, 18	80555	Rotor (Assem.), 11,18	88114	Yoke, 3
77077	Base - Black Gloss, 1	80556	Rotor (Assem.) (with Bearings and Switch), 11	89405	Spacer, 11
77079	Tape Stop (Assem.), 3	80557	End Shield (with Oiler), 11	89406	Washer, 11
77080	Slip Connection Strip (Assem.), 4	80558	End Shield (with Oiler), 11	89407	Cotter Pin, 11
77082	Bracket (with Bearings, Caps, Screws and Lock Washers), 3	80559	Stud, 11	89481	Shaft, 3
77090	Armature, 18	80561	Washer, 11	89482	Collar, 3
77091	Distributor Cover - Black Gloss, 10	80706	Screw (6-40 x 3/16), 12	89483	Rod, 3
77123	Connection Spring, 9	80754	Oiler, 11	89484	Clamp, 3
77124	Connection Spring, 9	80925	B/X Connector, 9	89925	Terminal End, 8
77125	Mounting Strip (Assem.), 9	81638	Collar, 17	90263	Wound Stator (with Base), 11
77126	Cable - Power, 1,19	81726	Terminal, 7	91041	Wound Stator (with Base), 11
77127	Rail - Left, 9	81731	Spring, 6	91121	Set of Motor and Gear Parts (for 368 O.P.M. - 50 Cycle), 11,18
77128	Washer - Fibre, 8,15	81778	Screw (4-40 x 3/16), 9	91131	Pinion - 13T, 2,18
77129	Terminal, 4	81836	Washer - Bakelite, 15	91132	Gear - 53T, 2,18
77135	Cable - Control, 1	82249	Washer, 2	91224	Distributor Cover - Black Wrinkle, 10
77136	Cable - Line, 1	82283	Synchronous Motor, 1/40 H.P., 110 V., 60 Cycle, A.C. (G.E. Model 58H25AB11), 11,18	91617	Shim, 18
77138	Shaft - with Hub, 2	82288	Screw (4-40 x 1/4), 14,19	91683	Nut (15/32-32 Hex.), 1
77140	Nut (9/16-32 Special), 2	82391	Condenser (1/2-1/2 M.F.) (3 Terminal), 8,19	91739	Insulating Strip, 4
77142	Bail, 6	82474	Terminal, 8,11,16,18	91837	Washer - Fibre, 12
77143	Bail (Assem.), 6	82547	Insulator, 8,16	92171	Bracket, 5
77146	Wearing Strip, 6	82548	Insulator, 8,16	92216	Filter (Assem.), 8
77597	Mounting Plate, 9	82626	Resistor - 20 Ohms, 8,19	92217	Filter (Assem.), 5
77598	Transmitter Distributor Mounting Plate (Assem.) Black Gloss, 9	82714	Synchronous Motor, 1/40 H.P., 110 V., 50 Cycle, A.C. (G.E. Model 58H25AB14), 11,18	92226	Transmitting Brush Radio Filter (Assem.), 5
77625	Slip Connection Guard, 9	82728	Name Plate, 10	92464	Ball Bearing, 14
77698	Bolt (3/16-24 x 4-5/8), 15	82729	Name Plate, 10	92465	Washer - Spring, 14
77911	Brush Cap, 8	82839	Rotor (Assem.) (with Bearings and Switch), 11	92466	Washer - Brass, 14
78011	Condenser - 1 M.F., 15	82840	Rotor (Assem.), 11,18	92467	Oiler, 14
78025	Screw (4-48 x 7/32), 11,12	82841	Switch Commutator, 11	92468	Washer - Felt, 14
78028	Screw (6-40 x 15/16), 16	82843	Spring, 11	92472	Bushing - Bakelite, 14
78205	Resistor - 300 Ohms, 8	82845	Washer, 11	92483	Brush Holder Clip, 14
78206	Resistance Unit (Assem.) (150-300-600 Ohms), 8,19	82848	Brush Holder (with Brush), 11	92484	Insulating Sleeve, 14
78398	Bushing - Bakelite, 13,16	82850	End Shield (with Oiler), 11	92485	Screw (10-32 x 3/16), 14
78399	Outer Disc Brush Spring (with Brush), 13,16	84047	Stop, 12,19	92487	Spacer, 14
78400	Inner Disc Brush Spring (with Brush), 13,16	84054	Connection Spring, 9	93009	Brush - Carbon Contact, 3
78403	Contact Brush, 13,16	84055	Connection Spring, 9	93075	Nut (15/32-32 Ring), 1
78437	Insulator, 13,17	84056	Stiffener, 9	93903	Target - 35 Spots, 17
78438	Bushing - Bakelite, 13,17	84057	Terminal, 9	93948	Clip, 15
78439	Governor Shell, 13,17	84058	Cover Plate, 9	94552	Washer - .005" Thick, 14
78443	Outer Contact Disc, 13,17	84103	Transmitter Distributor Mounting Plate (Assem.) - Black Gloss, 9	94553	Washer - .0079" Thick, 14
78451	Governor Cover, 13,17	84114	Yoke, 18	94554	Washer - .0112" Thick, 14
78496	Outer Disc Contact Spring, 13,17	84115	Armature, 3,18		
78497	Inner Disc Contact Spring, 13,17				
78905	Washer-Bakelite, 16				

NUMERICAL INDEX

94555	Washer - .0159" Thick, 14	95938	Condenser - .1 M.F., 15,16,19	101393	Tape Retaining Lid (Assem.), 18
94556	Washer - .032" Thick, 14	95953	Shim, 7,18	101439	Feed Lever Stop, 5,18
94557	Washer - .0641" Thick, 14	95954	Screw Plate, 7,18	101441	Cam, 2,18
94602	Wound Stator, 14	95957	Transmitter Snap Panel - Black Wrinkle, 10	102826	End Shield, 14
94603	Armature (with Bearings), 14	96001-R	Wire Strap, 15	102827	End Shield, 14
94604	Armature, 14	96258-R	Strap, 7,18	102831	Nut (10-32 Hex.), 14
94608	Brush Holder, 14	96883	Terminal, 4	102834	Bolt, 14
94609	Brush (with Spring), 14	97445	Retaining Lid, 7,18	102969	Motor, 1/40 H.P., 110 V., 60 Cycles, A.C. Series (H.C. Model 8-9046), 14
94678	Bracket, 8	97446	Bracket, 7	103060	Motor Plate - Upper, 15
94679	Condenser (1/10-1/10-1/100 M.F.), 8	97447	Contact Pin, 7,18	103061	Motor Plate - Lower, 15
95174	Transmitter Cover-Stainless Steel, 10	97448	Contact Pin Guide, 7,18	103062	Bracket, 16
95326	Governed Motor Filter Unit (Assem.), 8	97467	Tape-Out Contact (Assem.), 7,18	103080	Set of Filter Unit Parts, 16,19
95329	Motor Fan, 17	97468	Tape Guide Plate 7,18	103081	Screw (1/4-20 x 1/2), 14,15
95330	Plate - Left, 17	97720	Contact Spring - Bottom, 7	103082	Condenser Bracket, 15
95331	Plate - Right, 17	97721	Contact Spring - Top, 7	103083	Cable - Control and Stop Arm Contact, 1,15
95332	Center Contact Governor (Assem.)(with 95329 Motor Fan), 17	98069	Tape Guide Wire, 7,18	103184	Transmitter Snap Panel - Black Gloss, 10
95935	Bushing - Bakelite, 16	98137	Set of Parts, 6,7,19	103559	Set of Motor Parts, 14,19
95936	Choke Coil - 1.1 Ohms, 16	98155	Drill Jig, 18		
95937	Condenser - .01 M.F., 16	99230	Lid Plate, 7,18		
		99258	Brush Holder Cap, 14,19		
		99354	Container, 16		
		101274	Tape Stop Rod - 6-1/8" Long, 7,18		