

CHANGES AND ADDITIONS
TO PARTS BULLETINS

TYPE BAR TAPE PRINTER
(MODEL 14)

1028, ISSUE 2, PAGE 4
1030, ISSUE 2, PAGE 4
1031, ISSUE 3, PAGE 5
1048, ISSUE 2, PAGE 3

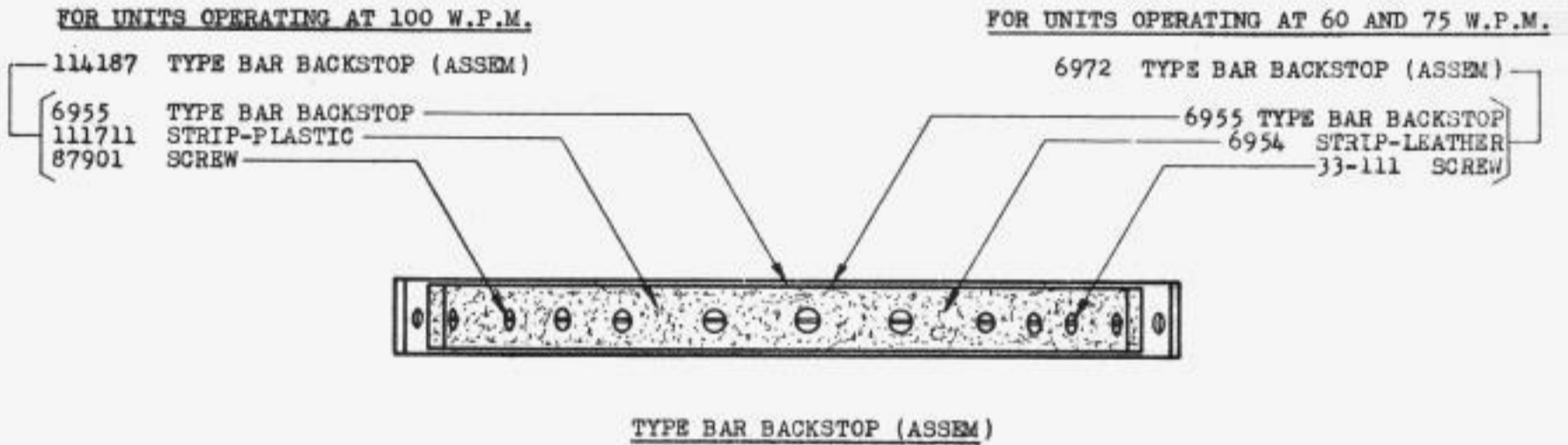
TYPING REPERFORATOR
(MODEL 14)

1082, ISSUE 2, PAGE 17
1088, ISSUE 2, PAGE 9
1100, ISSUE 2, PAGE 7
1117, ISSUE 2, PAGE 6

REPERFORATOR TRANSMITTER
(MODEL 14)

1108, ISSUE 1, PAGE 9
1126, ISSUE 1, PAGE 9

THE 6972 TYPE BAR BACKSTOP ASSEMBLY HAS BEEN REPLACED BY A 114187 TYPE BAR BACKSTOP ASSEMBLY ON 100 WORDS PER MINUTE MACHINES AND DIFFERS AS SHOWN IN THE SKETCH BELOW:



SCREWS ARE NOT INTERCHANGEABLE BETWEEN THE TWO STYLE PARTS.

ALTHOUGH BOTH STYLE PARTS CAN BE USED INTERCHANGEABLY (WITH THE PROPER SCREWS), IT HAS BEEN FOUND THAT THE BALANCE OF LIFE IS IN FAVOR OF LEATHER FOR THE SLOWER SPEEDS AND IN FAVOR OF THE PLASTIC AT THE HIGHER SPEED.

CARBON TETRACHLORIDE, COMPOUNDS OF THIS SOLVENT, OR WATER SHOULD NOT BE USED IN CLEANING UNITS HAVING THE PLASTIC BACKSTOPS AS THEY CAUSE DETERIORATION OF THE PLASTIC MATERIAL.

1
744

CHANGES AND ADDITIONS
TO THE FOLLOWING PARTS BULLETINS

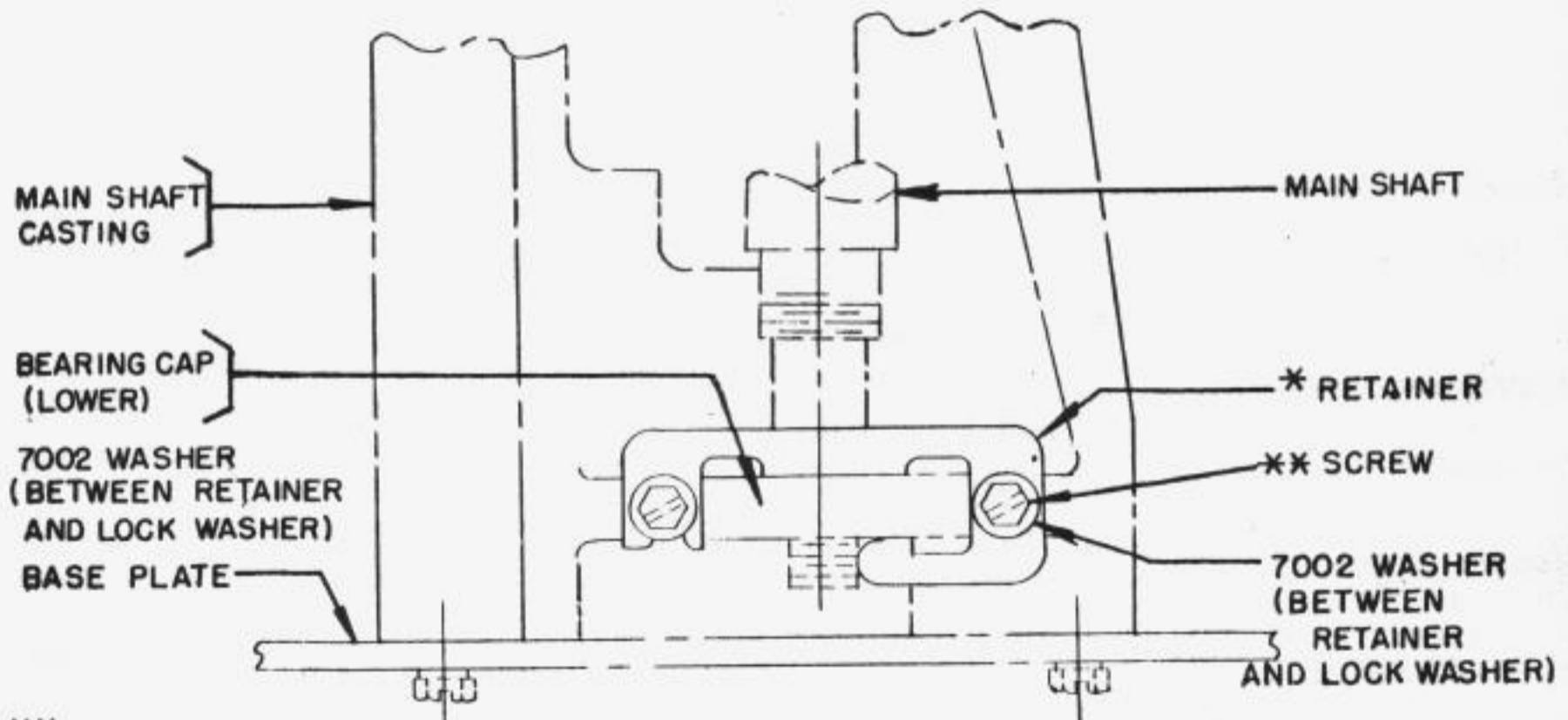
<u>Model 14 Printers</u>	<u>Model 14 Typing Reperforators</u>	<u>Model 14 Non-Typing Selectors</u>	<u>Model 14 Typing Reperforator Transmitter</u>	<u>Multiple Reperforator</u>
1028 Issue 2	1082 Issue 2	1083 Issue 1	1108 Issue 2	1130 Issue 1
1030 Issue 2	1088 Issue 2	1107 Issue 1	1126 Issue 1	
1031 Issue 3	1100 Issue 2	1116 Issue 1		
	1117 Issue 2			

On units operating at high speed or after prolonged use, the main shaft shown in the above bulletins may have a tendency to shift under the bearing caps.

In order to prevent this, two 7002 washers have been added on the upper bearing cap; two 7002 washers and a * retainer have been added on the lower bearing cap and should be mounted as shown below:

- * 120895 retainer (for Bulletin 1130 only)
- * 117387 retainer (for all other bulletins)

** Units with serial numbers lower than 70,000 require 105960 screws (6-40 x 11/16) in place of the 72508 (formerly 6811-6-40 x 5/8) screws (6-40 x 3/4). When the threads of the tapped holes in the 7610 main shaft bracket become damaged a 124613 steel insert may be ordered.



** INDICATES CHANGE

LOWER PORTION OF MAIN SHAFT CASTING

CHANGES AND ADDITIONS
TO PARTS BULLETINS
SHOWN BELOW

In order to facilitate identification of selector cam sleeve assemblies they are stamped with identifying letters. The chart below shows the cam sleeve assembly numbers and identifying letters.

BULLETIN NUMBER	TYPE OF APPARATUS	CAM SLEEVE ASSEMBLY NUMBER	STAMPED WITH LETTERS
1028 Issue 2 1030 Issue 2 1031 Issue 3 1048 Issue 2	Type Bar Tape Printer (Model 14)	#8507	CX
1082 Issue 2 1088 Issue 2 1100 Issue 2 1117 Issue 2	Typing Reperforator (Model 14)	#8507 **91265	CX MX
1108 Issue 1 1126 Issue 1	Reperforator Transmitter (Model 14)	**91265	MX
1130 Issue 1	Multiple Reperforator (MRPE)	**111506	QX
1083 Issue 1 1107 Issue 1	Non-Typing Selector (Model 14)	**91265	MX
1072 Issue 2	Regenerator Unit & Panel (RED)	**90010	HX
1121 Issue 1	Multiplex Extensor Unit (AME)	**103891	PX
1064 Issue 2 1080 Issue 1	Reperforator	Model 14 #86158 Model 20 #91020	GX LX
(A) 1037 Issue 4 (B) 1063 Issue 2 1094 Issue 2 1110 Issue 2 (A) 1114 Issue 1	Type Bar Page Printer	Model 15 #8507 **91265 Model 20 #91019	CX MX KX
1073 Issue 1	Type Wheel Page Printer (Model 24)	**90493	JX
1074 Issue 2	Type Wheel Page Printer (Model 26)	**92954	NX

- (A) In Bulletins 1037 and 1114, Page 3, the stamping for the 8507 and 91265 cam sleeve assemblies should read "CX" and "MX" respectively.
 (B) In Bulletin 1063, top of Page 27, the stamping for the 91019 should read "KX".
 * For use with "Pulling Magnet Selectors".
 ** For use with "Holding Magnet Selectors".

CHANGES AND ADDITIONS
TO THE FOLLOWING PARTS BULLETINS

1028	1064	1095	1107	1122	1133
1030	1072	1096	1108	1123	1137
1031	1079	1101	1109	1125	1141
1036	1080	1102	1110	1126	1143
1041	1082	1103	1116	1127	1144
1048	1083	1104	1117	1130	1145
1051	1084	1105	1119	1131	
1063	1087	1106	1120	1132	

Correction Sheet 650EE Issue 1 which covers parts ordering information for Teletype standard motors, center contact governors, governor brushes, and speed adjusting brackets associated with apparatus cataloged in the bulletins listed above, has been revised and reissued as Bulletin 1147B. Where any of the bulletins listed above refer to Correction Sheet 650EE, use Bulletin 1147B instead.

ADDITION TO PARTS BULLETINS
LISTED BELOW

1028 (Issue 2)	1080 (Issue 1)	1114 (Issue 1)
1039 (Issue 2)	1082 (Issue 2)	1116 (Issue 1)
1031 (Issue 3)	1083 (Issue 1)	1117 (Issue 2)
1037 (Issue 4)	1088 (Issue 2)	1121 (Issue 1)
1063 (Issue 2)	1094 (Issue 2)	1126 (Issue 1)
1064 (Issue 2)	1100 (Issue 2)	1130 (Issue 1)
1072 (Issue 2)	1107 (Issue 1)	1141 (Issue 1)
1073 (Issue 1)	1108 (Issue 2)	1142 (Issue 1)
1074 (Issue 2)	1110 (Issue 2)	1143 (Issue 1)

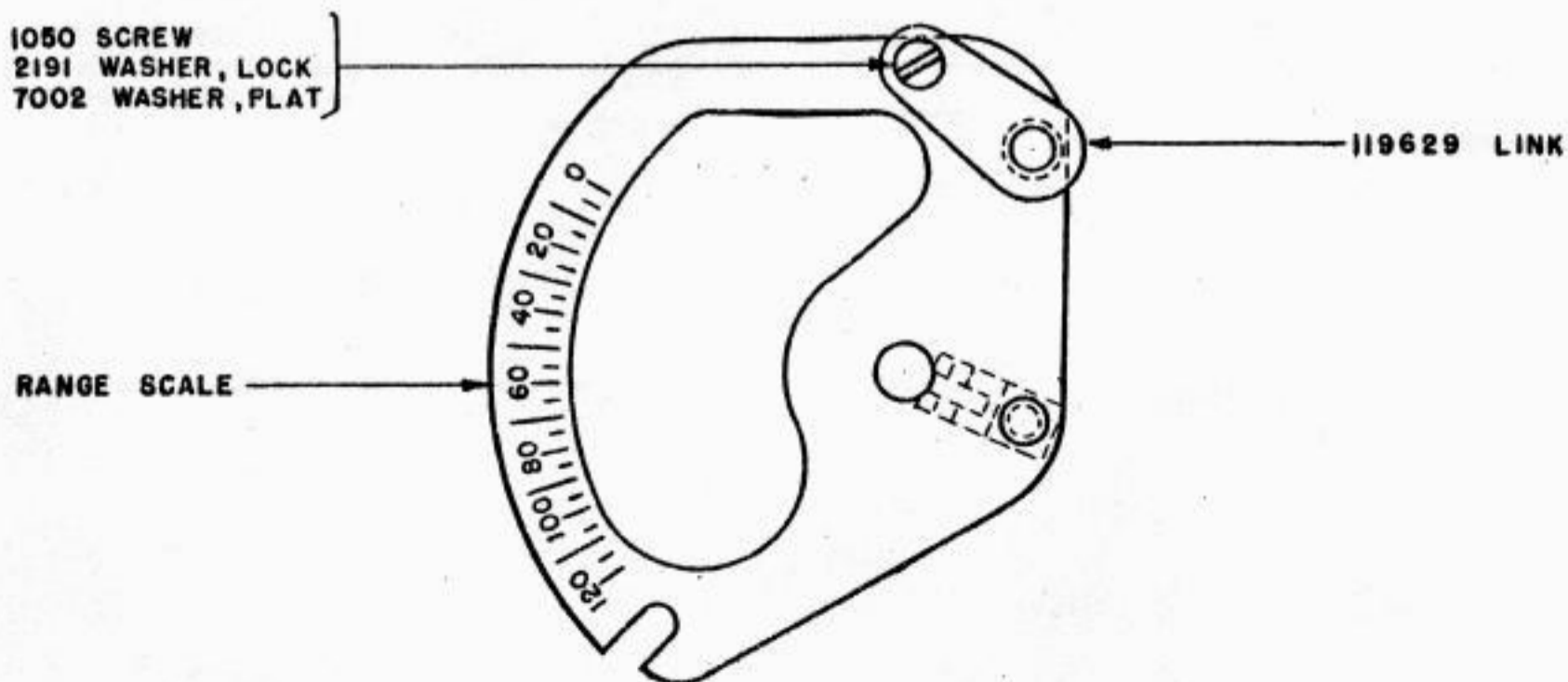
This correction sheet covers parts ordering information for the Adjustable Range Scale assembly. This assembly includes an adjusting link that mounts on the 90775 modified range scale to allow regulation of the engagement between the stop arm on the selection cam sleeve and the stop lever on the range scale assembly.

In the bulletins listed above, and in connection with each range scale assembly shown (71696, 83562, 86154, 90086, 90775, or 90776 depending on the unit), add the following parts:

119629	Link
1050	Screw
2191	Lock Washer
7002	Washer

The part numbers of the other equipment in the assembly are unchanged. The Adjustable Range Scale Assembly replaces the previous Range Scale Assembly, and orders for the old part numbers will be filled accordingly.

The two assemblies are interchangeable on the printer. Due to the modifications in the range scale, however, it is necessary to order a complete assembly to convert existing apparatus.



CHANGES IN TELETYPE
PART AND ASSEMBLY NUMBERS

In order to facilitate the use of automatic business machines in the conduct of its business, Teletype Corporation finds it necessary to eliminate all of its present part and assembly numbers containing dashes and/or letter prefixes. Such numbers have been replaced by others having 3 to 6 digits which may have a one-letter or a two-letter suffix.

The prefixes used with magnet, packing material, raw material such as wire in bulk, Teletype literature and wiring diagram numbers have been changed to suffixes, and in the case of bulletins and instruction manuals a suffix has been added to identify the items without reference to descriptions as shown in the following illustrations:

<u>Old Designation</u>	<u>New Designation</u>	<u>Description</u>
M121	121M	Magnet
PK10718	10718PK	Carton
RM31571	31571RM	Wire
121	121B	Bulletin
EE121	121EE	Correction Sheet
121	121MA	Instruction Manual
WD2186	2186WD	Wiring Diagram
S5037	5037S	Specification
S5333A	5333SA	Specification
S5333B	5333SB	Specification

All Teletype parts bulletins and price lists will eventually be changed to show the new as well as the old numbers for the convenience of Teletype Corporation customers.

When an item is ordered under an old number, the new number will be substituted for the old one and the old number will be shown immediately after the description of the items on all shipping papers and invoices.

Attached are two conversion lists of the active numbers involved; one with the old numbers and descriptions arranged numerically and the other with the new numbers arranged numerically. It is to be noted that some of the new numbers have already been used in Teletype parts catalogs.

Many numbers containing dashes cover parts considered obsolete and are not included in the attached lists. Occasionally one of these parts is reinstated, in which case the part will be shipped under the new number with the dash number shown immediately after the description. It is not intended to add such numbers to the correction sheet lists unless the part is to be commonly used.

OLD TO NEW NUMBER CONVERSION LIST

Old No.	New No.	Description	Old No.	New No.	Description	Old No.	New No.	Description
2-3	125100	Washer	33-88	125140	Screw	33-257	125193	Screw
4-4	125101	Stud	33-89	125141	Screw	33-264	125194	Screw
4-8	74879	Stud	33-98	125142	Screw	33-267	125182	Screw
4-11	125102	Stud	33-101	125143	Screw	33-270	87636	Screw
6-1	125103	Thumb Wheel	33-108	125144	Screw	33-271	125195	Screw
6-2	125104	Sleeve	33-110	110434	Screw	33-272	125004	Screw
23-8	125105	Terminal	33-111	49054	Screw	33-274	125196	Screw
25-21	125106	Stud	33-114	125146	Screw	33-275	126250	Spring
26-19	125107	Dowel	33-121	125147	Screw	33-276	125197	Screw
33-1	1157	Screw	33-123	125148	Screw	33-278	125199	Screw
33-2	125108	Screw	33-130	125149	Screw	33-280	125005	Screw
33-3	1158	Screw	33-132	125001	Screw	33-282	125200	Screw
33-4	1263	Screw	33-135	125150	Screw	33-283	125201	Screw
33-5	1159	Screw	33-141	125151	Screw	33-285	125202	Screw
33-6	1160	Screw	33-143	125152	Screw	33-289	125203	Screw
33-7	1161	Screw	33-151	125153	Screw	33-290	1299	Screw
33-8	125109	Screw	33-153	125154	Screw	33-296	125205	Screw
33-9	125110	Screw	33-156	1162	Screw	33-311	110742	Screw
33-10	1162	Screw	33-157	1174	Screw	33-333	125006	Screw
33-11	1163	Screw	33-158	125155	Screw	33-334	112622	Screw
33-12	125111	Screw	33-162	125156	Screw	33-335	112623	Screw
33-13	5740	Screw	33-163	125157	Screw	33-336	125206	Screw
33-14	1164	Screw	33-167	125158	Screw	33-337	112624	Screw
33-15	125112	Screw	33-168	125159	Screw	33-339	125207	Screw
33-16	1165	Screw	33-169	1175	Screw	33-340	125208	Screw
33-17	1166	Screw	33-170	112621	Screw	33-341	125209	Screw
33-18	125113	Screw	33-175	125160	Screw	33-344	125211	Screw
33-19	1167	Screw	33-176	125161	Screw	33-346	125212	Screw
33-21	112620	Screw	33-179	125002	Screw	33-347	112625	Screw
33-22	125114	Screw	33-180	125162	Screw	33-348	125213	Screw
33-23	125115	Screw	33-185	125163	Screw	33-349	125214	Screw
33-29	125116	Screw	33-193	125164	Screw	33-350	125215	Screw
33-32	125117	Screw	33-194	125165	Screw	33-356	125216	Screw
33-35	1168	Screw	33-195	1176	Screw	33-360	1181	Screw
33-36	125118	Screw	33-196	125166	Screw	33-362	125217	Screw
33-37	1169	Screw	33-197	125167	Screw	34-1	125218	Nut
33-38	125119	Screw	33-198	125168	Screw	34-2	3595	Nut
33-39	1222	Screw	33-202	125169	Screw	34-3	125219	Nut
33-41	125120	Screw	33-206	125003	Screw	34-4	112626	Nut
33-42	125121	Screw	33-207	125170	Screw	34-5	5475	Nut
33-43	125122	Screw	33-208	125171	Screw	34-6	3597	Nut
33-45	125123	Screw	33-209	125172	Screw	34-7	70073	Nut
33-49	1170	Screw	33-210	125173	Screw	34-8	3598	Nut
33-50	125124	Screw	33-211	125174	Screw	34-9	3599	Nut
33-51	125125	Screw	33-212	125175	Screw	34-10	125220	Nut
33-53	1171	Screw	33-213	125176	Screw	34-11	112627	Nut
33-54	1172	Screw	33-217	125177	Screw	34-12	55257	Nut
33-57	125126	Screw	33-224	125178	Screw	34-13	125221	Nut
33-58	125127	Screw	33-225	125179	Screw	34-14	5815	Nut
33-59	125128	Screw	33-227	125180	Screw	34-16	125222	Nut
33-60	125129	Screw	33-228	125181	Screw	34-19	125223	Nut
33-63	125130	Screw	33-234	1177	Screw	34-24	125224	Nut
33-64	1173	Screw	33-235	125183	Screw	34-25	3600	Nut
33-65	125131	Screw	33-236	125184	Screw	34-27	125225	Nut
33-69	1223	Screw	33-237	1178	Screw	34-28	3602	Nut
33-70	125132	Screw	33-238	1179	Screw	34-29	3603	Nut
33-72	125133	Screw	33-240	86850	Screw	34-35	125226	Nut
33-73	125134	Screw	33-241	125185	Screw	34-39	125227	Nut
33-74	125000	Screw	33-244	125186	Screw	34-41	125228	Nut
33-75	125135	Screw	33-245	125187	Bolt	34-48	125229	Nut
33-78	110741	Screw	33-250	125188	Screw	34-50	3604	Nut
33-79	125136	Screw	33-252	125189	Screw	34-51	1036	Nut
33-82	125137	Screw	33-253	125190	Screw	34-53	3605	Nut
33-85	125138	Screw	33-254	125191	Screw	34-54	125230	Nut
33-86	125139	Screw	33-255	125192	Screw	34-55	3606	Nut

Old No.	New No.	Description	Old No.	New No.	Description	Old No.	New No.	Description
34-56	110435	Nut	36-38	125275	Pin	100-79	125327	Screw
34-58	125231	Nut	36-39	125276	Pin	100-80	125328	Bushing
34-59	125009	Nut	36-45	125277	Pin	100-81	125329	Bushing
34-60	125232	Nut	36-51	125278	Pin	100-84	125330	Screw
34-61	125233	Nut	36-56	3614	Pin	100-85	3621	Terminal
34-62	125234	Nut	36-72	125279	Pin	100-88	9574	Screw
34-63	2723	Nut	36-73	125280	Pin	100-92	125331	Bushing
34-64	112628	Nut	36-80	125281	Pin	100-93	125332	Terminal
34-66	125235	Nut	36-85	125282	Pin	100-96	110441	Shim
35-1	112629	Spring	36-103	125283	Pin	100-97	3623	Washer
35-2	112630	Spring	36-104	125284	Pin	100-100	125333	Pole Piece
35-8	112631	Spring	36-105	125285	Rivet	100-101	125334	Pole Piece
35-13	125236	Spring	36-106	125286	Pin	100-106	125335	Spring
35-16	125237	Spring	36-109	125287	Pin	100-108	3624	Washer
35-23	125238	Spring	36-110	125288	Pin	100-109	125336	Spring Assem.
35-24	125239	Spring	36-113	125289	Pin	100-110	125337	Spring
35-26	125240	Spring	36-114	125290	Pin	100-111	125338	Spring
35-27	125241	Spring	36-120	125269	Pin	100-112	125339	Terminal
35-28	125242	Spring	36-124	125291	Pin	100-113	125340	Eyelet
35-33	112632	Spring	36-131	125092	Dowel	100-120	125341	Bushing
35-34	125243	Spring	36-132	125292	Pin	100-145	125343	Strip
35-40	125244	Spring	36-134	125293	Pin	100-148	125344	Terminal
35-42	110436	Spring	36-136	125294	Pin	100-151	125345	Spool
35-43	125245	Spring	36-137	3614	Pin	100-152	125346	Screw
35-47	125246	Spring	36-139	125295	Pin	100-153	125347	Screw
35-48	125247	Spring	36-146	110439	Pin	100-159	125348	Terminal
35-52	4702	Spring	36-147	125296	Pin	100-167	125349	Terminal
35-53	125248	Spring	36-150	125297	Pin	100-173	125350	Contact Point
35-54	112633	Spring	36-151	125298	Pin	100-178	125351	Terminal Block
35-58	3608	Spring	36-152	3615	Pin	100-179	125352	Terminal
35-66	125249	Spring	36-153	110440	Pin	100-187	125353	Terminal
35-68	125250	Spring	36-154	125299	Pin	100-188	125354	Terminal Block
35-69	125251	Spring	36-164	125300	Pin	100-217	125355	Relay Spool
35-70	110437	Spring	36-165	125301	Pin	100-218	125356	Terminal
35-71	125252	Spring	36-170	125302	Pin	100-219	125357	Terminal
35-72	125253	Spring	36-172	125303	Pin	100-220	125358	Terminal
35-78	125254	Spring	36-173	3616	Pin	100-227	125359	Washer
35-80	125255	Spring	36-174	125304	Rivet	100-228	125360	Washer
35-84	125256	Spring	43-10	125306	Stop	100-234	125361	Washer
35-85	125257	Spring	43-12	71047	Washer	100-235	125362	Washer
35-86	4703	Spring	46-3	125307	Washer	100-246	125363	Screw
35-87	4708	Spring	47-2	125308	Buffer Assem.	100-253	125364	Spring
35-88	110438	Spring	47-4	125309	Buffer	100-254	125365	Spring
35-89	112634	Spring	47-5	125310	Screw	100-255	125366	Bushing
35-99	125258	Spring	52-4	125099	Washer	100-256	125367	Washer
35-101	125259	Spring	52-5	125311	Buffer	100-257	125368	Washer
35-104	125260	Spring	54-3	125312	Washer	103-27	125011	Washer
35-111	125261	Spring	61-7	3618	Insulator	103-75	125369	Resistor
35-116	125262	Spring	61-9	125313	Washer	103-77	125370	Resistor
35-123	125263	Spring	61-10	125314	Screw	103-102	125371	Screw
35-124	125264	Spring	61-12	125315	Washer	103-151	125372	Pinion
35-125	125265	Spring	61-21	125316	Screw	112-7	125373	Screw
35-126	3610	Spring	61-24	125010	Washer	112-8	125374	Screw
35-129	3611	Spring	61-25	125317	Insulator	112-64	125375	Screw
35-131	125266	Spring	80-1	125318	Tube	120-20	125376	Washer
35-132	125267	Spring	80-2	125319	Terminal	122-5	125379	Post
35-133	125268	Spring	80-3	125320	Washer	122-11	125380	Chute
35-134	4705	Spring	80-4	125321	Pole Piece	122-12	125381	Stud
35-137	112635	Spring	80-5	125322	Magnet Core	122-18	125382	Cable
35-140	112636	Spring	100-70	125323	Magnet Core	S-122-19	125383	Bracket
36-19	125270	Pin	100-71	125324	Magnet Core	S-122-20	125384	Bracket
36-23	125271	Pin	100-72	125325	Terminal	S-122-21	125385	Bracket
36-24	125272	Pin	100-73	125326	Washer	S-122-22	125386	Bracket
36-28	125273	Pin	100-74	5816	Washer	S-122-23	125387	Bracket
36-35	125274	Pin	100-75	3620	Washer	S-122-24	125388	Bracket

Old No.	New No.	Description	Old No.	New No.	Description	Old No.	New No.	Description
122-25	125389	Bracket	122-133	125450	Post	122-381	125505	Lever
122-26	125390	Washer	S-122-134	125451	Bell Crank	122-382	125506	Bail
122-27	125391	Shaft	122-135	125452	Washer	122-383	125507	Key Lever
122-28	125392	Stop	S-122-136	125453	Bracket	122-384	112640	Die Block
122-29	125393	Pin	122-137	125454	Gear Assem.	122-386	125508	Bail Assem.
122-35	125394	Plate	122-139	125455	Pin	122-387	125509	Cover
122-36	125395	Pin	122-140	125456	Stud	122-388	125510	Hinge
S-122-37	125396	Guide	122-143	125457	Connector	122-389	125511	Pawl Assem.
S-122-38	125397	Bar	122-146	125458	Bearing	122-390	125512	Contact Assem.
S-122-39	3625	Shaft	122-147	125459	Bushing	122-392	125509BC	Cover
S-122-40	125398	Bracket	W-122-152	125798	Key Assem.	122-396	125514	Hammer Assem.
122-41	125399	Roller	122-192	125461	Cup	122-397	125515	Hinge
122-42	125400	Gear	122-193	125462	Washer	122-399	125516	"Blank" Comb
122-43	125401	Gear	122-194	125463	Disk	122-400	125517	Comb
122-46	125402	Post	122-195	125464	Disk	122-401	125518	Comb
122-48	125012	Socket	122-196	125465	Bezel	122-402	125519	Comb
122-49	125403	Fitting	S-122-234	3627	Bar	122-403	125520	Comb
122-50	125404	Lamp	122-241	125466	Roller	122-404	125521	Comb
122-51	125405	Bell Crank	122-242	125467	Lever Assem.	122-405	125522	Comb
122-52	125406	Bell Crank	122-244	125468	Post	122-406	125523	Comb
122-53	125407	Bell Crank	122-245	125469	Pawl	122-407	125524	Comb
122-54	125408	Bell Crank	122-246	125470	Post	122-408	125525	Comb
122-55	125409	Bell Crank	122-247	125471	Disk Assem.	122-409	125526	Comb
122-56	125410	Bushings	122-249	125472	Stud	122-410	125527	Comb
122-57	125411	Bushings	122-250	125473	Spool Assem.	122-411	125528	Comb
122-58	125412	Stud	122-251	125474	Tube	122-412	125529	Comb
122-60	125413	Ratchet	122-252	125475	Terminal End	122-413	125530	Comb
122-61	125414	Post	122-253	125476	Magnet Spool	122-414	125531	Comb
122-62	125415	Pin	122-254	125477	Core	122-415	125532	Comb
122-63	125416	Post	122-257	125478	Plunger	122-416	125533	Comb
122-65	125417	Stud	122-259	125479	Disk	122-417	125534	Comb
122-67	125418	Post	122-260	125480	Hub	122-418	125535	Comb
122-68	3626	Foot	122-275	125481	Bracket	122-419	125536	Comb
S-122-69	125419	Stop	122-276	125013	Plate	122-420	125537	Comb
122-80	125420	Guide	122-290	125482	Terminal End	122-421	125538	Comb
122-84	125421	Pin	122-337	125014	Washer	122-422	125539	Comb
122-86	125422	Pin	122-345	119959BC	Container Assem.	122-423	125540	Comb
122-88	125423	Solenoid Assem.	122-346	125484	Plate	122-424	125541	Comb
122-89	125424	Bracket	122-347	125485	Guard	122-425	125542	Comb
122-94	125425	Terminal Board	122-348	126247	Bracket	122-426	125543	Comb
122-95	125426	Insulator	122-349	125486	Pivot	122-427	125544	Comb
122-97	125427	Bushing	122-350	125487	Tape Reel	122-428	125545	Comb
122-100	125428	Plate	122-352	805208C	Cover	122-429	125546	Comb
122-101	125429	Head	122-354	126248	Shelf	122-430	125547	Comb
122-102	125430	Post	122-355	126249	Bracket	122-431	125548	Paper Keytop
122-106	125431G	Bracket Assem.	122-356	805238C	Cover	122-432	125549	Paper Keytop
122-106G	125432	Bracket Assem.	122-357	125488	Spacer	122-433	125550	Paper Keytop
122-107	125433	Bracket	122-358	125489	Bracket	122-434	125551	Paper Keytop
122-108	125434	Bushing	122-359	125490	Ratchet	122-435	125552	Paper Keytop
122-111	125435	Screw	122-363	125491	Pin	122-436	125553	Stud
122-112	125436	Strip	122-364	125492	Bracket	122-437	125554	Spring
122-113	9575	Screw	122-365	125493	Punch Pin	122-438	125555	Head
122-115	125437	Contact Point	122-366	125494	Punch Pin	122-439	125556	Spring Eye
122-116	125438	Lever Assem.	122-367)	110902	Plate	122-444	1199608C	Plate
122-117	125439	Lever	122-368)			122-445	119957	Guard Assem.
122-118	125440	Terminal	122-369	125495	Guide Plate	122-447	125558	Spring
122-119	125441	Contact Assem.	122-370	125496	Guide Plate	122-450	125559	Keys
122-120	125442	Spring	122-371	125497	Die Plate	122-451	125560	Lever Assem.
122-121	125443	Contact	122-373	125498	Punch Hammer	122-452	125561	Lever Assem.
122-124	125444	Spring	122-374	125499	Punch Bar	122-453	125562	Cable Assem.
122-126	125445	Insulator	122-375	125500	Punch Bar	122-454	125563	Cable
122-127	125446	Stud	122-376	125501	Punch Bar	122-457	125564	Loop Blank
122-128	125447	Bracket Assem.	122-377	125502	Punch Bar	122-459	125565	Paper Keytop
122-129	125448	Bracket	122-378	125503	Punch Bar	122-460	125566	Paper Keytop
S-122-130	125449	Lever Assem.	122-380	125504	Lever	122-461	125567	Paper Keytop

Old No.	New No.	Description	Old No.	New No.	Description	Old No.	New No.	Description
122-462	125568	Paper Keytop	122-567	125631	Hammer Assem.	122-708	125693	Paper Keytop
122-463	125569	Paper Keytop	122-570	1204998C	Base	122-709	125694	Paper Keytop
122-464	125570	Paper Keytop	122-571	125633	Guide Plate	122-710	125605	Paper Keytop
122-465	125571	Paper Keytop	122-572	125634	Guide Plate	123-7	3628	Bushing
122-466	125572	Paper Keytop	122-573	125635	Die Plate	123-8	71444	Bushing
122-467	125573	Paper Keytop	122-574)	110901	Plate	123-10	3629	Collar
122-468	125574	Paper Keytop	122-367)	111019	Block	123-36	3630	Bushing
122-469	125575	Paper Keytop	122-575	125636	Plate Assem.	123-37	125696	Post
122-470	125576	Paper Keytop	122-576	125637	Ratchet Assem.	123-55	125697	Contact Pin
122-471	125577	Paper Keytop	122-577	125638	Paper Keytop	123-123	125698	Roller
122-472	125578	Paper Keytop	122-580	125639	Paper Keytop	123-135	125699	Pin
122-473	125579	Paper Keytop	122-581	125640	Paper Keytop	123-154	125700	Hub
122-474	125580	Paper Keytop	122-582	125641	Bushing	123-158	125701	Hub
122-475	125581	Paper Keytop	122-583	125642	Bracket Assem.	123-159	125702	Dowel
122-476	125582	Paper Keytop	122-586	125643	Washer	123-163	3632	Terminal
122-477	125583	Paper Keytop	122-589	125644	Handle	123-164	3633	Bushing
122-478	125584	Paper Keytop	122-590	125645	Guide	123-165	3634	Bushing
122-479	125585	Paper Keytop	122-592	125646	Plate	123-166	3635	Washer
122-480	125586	Paper Keytop	122-593	125647	Plate	123-167	3636	Washer
122-481	125587	Paper Keytop	122-594	125648	Key Lever	123-194	3637	Ball Bearing
122-482	125588	Paper Keytop	122-596	125649	Key Lever	123-244	125015	Washer
122-483	125589	Paper Keytop	122-597	125650	Key Lever	123-308	125703	Terminal
122-484	125590	Paper Keytop	122-598	125651	Key Lever	123-314	125704	Rivet
122-485	125591	Paper Keytop	122-599	125652	Key Lever	123-342	125705	Oil Cup
122-487	125592	Paper Keytop	122-600	125653	Key Lever	123-343	125706	Wick
122-490	1199578C	Guard	122-601	125654	Key Lever	123-357	125707	Terminal
122-498	125510	Hinge	122-602	125655	Key Lever	123-362	125708	Washer
122-511	125594	Guide Assem.	122-603	125656	Key Lever	123-364	125709	Hinge-Butt
122-526	125595	Roller	122-604	125657	Key Lever	123-412	125710	Ring - Blank
122-528	125596	Key Lever Assem.	122-605	125658	Key Lever	123-447	125711	Disk
122-529	125597	Key Lever Assem.	122-606	125659	Key Lever	125-9	3638	Condenser
122-530	125598	Key Lever Assem.	122-607	125660	Key Lever	125-23	125712	Clamp
122-531	125599	Key Lever Assem.	122-608	125661	Key Lever	125-55	125713	Card Holder
122-532	125600	Key Lever Assem.	122-609	125662	Key Lever	125-161	125714	Resistor
122-533	125601	Key Lever Assem.	122-610	125663	Key Lever	125-169	125715	Fuse
122-534	125602	Key Lever Assem.	122-611	125664	Key Lever	125-176	125716	Switch Box
122-535	125603	Key Lever Assem.	122-612	125665	Key Lever	125-184	125717	Fuse Box
122-536	125604	Key Lever Assem.	122-613	125666	Key Lever	125-194	125718	Resistor
122-537	125605	Key Lever Assem.	122-614	125667	Key Lever	125-197	125097	Nipple
122-538	125606	Key Lever Assem.	122-615	125668	Key Lever	125-198	125098	Nut
122-539	125607	Key Lever Assem.	122-616	125669	Key Lever	125-208	125719	Nipple
122-540	125608	Key Lever Assem.	122-617	125670	Key Lever	125-209	125720	Nut
122-541	125609	Key Lever Assem.	122-618	125671	Key Lever	125-211	125721	Clamp
122-542	125610	Key Lever Assem.	122-619	125672	Key Lever	125-217	126253	Receptacle
122-543	125611	Key Lever Assem.	122-620	125673	Key Lever	125-221	125091	Receptacle
122-544	125612	Key Lever Assem.	122-621	125674	Key Lever	125-237	125723	Fuse
122-545	125613	Key Lever Assem.	122-622	125675	Key Lever	125-238	125724	Fuse
122-546	125614	Key Lever Assem.	122-623	125676	Key Lever	125-239	125725	Fuse
122-547	125615	Key Lever Assem.	122-624	125677	Key Lever	125-240	125483	Key
122-548	125616	Key Lever Assem.	122-625	125678	Key Lever	125-242	125726	Resistor
122-549	125617	Key Lever Assem.	122-626	125679	Key Lever	125-269	125727	Handle
122-550	125618	Key Lever Assem.	122-627	125680	Key Lever	125-270	125728	Hinge
122-551	125619	Key Lever Assem.	122-628	125681	Key Lever	125-276	125729	Switch Box
122-552	125620	Key Lever Assem.	122-629	125682	Comb	126-11	125730	Bushing
122-553	125621	Key Lever Assem.	122-630	125683	Bushing	F-126-24	125377	Pinion
122-554	125622	Key Lever Assem.	122-697	125684	Lever Assem.	126-64	125731	Cam
122-555	125623	Key Lever Assem.	122-698	125685	Stud	126-92	125732	Washer
122-556	125624	Key Lever Assem.	122-699	125686	Lever Assem.	126-93	125733	Washer
122-557	125198	Key Lever Assem.	122-700	125687	Bushing	126-95	125734	Armature
122-558	125625	Key Lever Assem.	122-702	125688	Bracket Assem.	126-107	125735	Screw
122-559	125626	Key Lever Assem.	122-703	125689	Paper Keytop	126-108	125736	Brush Holder
122-562	84695	Guard	122-704	125690	Paper Keytop	126-111	125737	Coil
122-563	125628	Guard Clip	122-705	125691	Paper Keytop	126-114	125738	Washer
122-564	125629	Guard Clip	122-706	125692	Paper Keytop	126-118	125739	Bushing
122-565	125630	Guard	122-707			126-123	125016	Grommet

Old No.	New No.	Description	Old No.	New No.	Description	Old No.	New No.	Description
126-126	125740	Brush	200-1132	125792	Insulator	300-177	125854	Terminal
126-127	125741	Spring	200-1134	125793	Pin	300-178	125855	Terminal
138-1	125742	Tuning Fork	200-1135	9576	Contact Spring	300-179	125856	Terminal Block
138-2	125743	Tuning Fork	200-1136	125794	Spring Blank	300-180	125857	Terminal Block
138-3	125744	Tuning Fork	200-1137	9577	Spring	300-181	125858	Feed Pawl
138-4	125745	Tuning Fork	200-1138	125795	Spring Blank	300-200	125859	Bracket
138-5	114756	Tuning Fork	200-1139	3647	Insulator	300-201	125860	End Bracket
138-6	125747	Tuning Fork	200-1175	125796	Spring	300-301	5556	Top Plate
138-7	125748	Tuning Fork	200-1176	125797	Spring	300-302	125861	Feed Wheel
138-11	125749	Tuning Fork	200-1177	126251	Insulator	300-303	125862	Bearing
138-20	125751	Tuning Fork	200-1178	125799	Spring	300-304	125863	Bracket
138-22	110442	Screw Driver	200-1179	125800	Stiff	300-306	125864	Plate
138-23	125752	Wrench	200-1345	125801	Valve	300-307	125865	Plate
138-24	125753	Wrench	200-1348	125802	Washer	300-308	125866	Strip
138-25	125754	Wrench	200-1703	125803	Hub	300-312	125867	Bracket
138-26	125755	Wrench	200-2002	125804	Strip	300-314	125868	Detent Assem.
138-27	125756	Wrench	200-2210	125805	Post	300-315	125869	Detent Lever
138-28	125757	Wrench	200-2212	3649	Washer	300-316	125870	Detent Roller
138-30	125758	File	200-2217	125806	Post	300-319	125871	Bracket
138-32	125759	Wrench	200-2800	125807	Spindle	300-320	125872	Shaft
138-33	125760	Wrench	200-2802	125808	Pivot	300-322	125873	Latch
138-34	125761	Wrench	300-3	125809	Cable	300-400	125874	End Bracket
138-35	125762	Wrench	300-103	125810	Armature	300-501	125875	Base
138-36	125763	Wrench	300-104	125812	Armature	300-502	125876	Switch
138-38	125764	Screw Driver Blade	300-105	125813	Bearing	300-503	125877	Strip
138-43	126242	Gauge	300-106	125814	Guide	300-504	125878	Terminal
138-44	126243	Gauge	300-107	125815	Contact Assem.	300-505	4706	Washer
138-49	126244	Gauge	300-108	125816	Mounting Bar	300-506	4707	Washer
138-52	125765	Wrench	300-109	125817	Mounting Bar	300-507	125879	Base
138-55	110443	Scale	300-110	125818	Insulator	300-508	125880	Armature
138-58	110444	Scale	300-111	125819	Plate	300-509	125881	Washer
138-67	125766	Handle	300-113	125820	Disk	300-510	125882	Terminal
138-68	125767	Shank	300-114	125821	Lever Blank	300-511	125883	Armature
138-69	125768	Shank	300-115	125822	Lever #1	300-512	125884	Spring
138-74	125769	Shank	300-116	125823	Lever #2	300-513	125885	Armature Handle
138-100	88993	Burnisher	300-117	125824	Lever #3	300-515	125886	Terminal
138-119	125771	Handle	300-118	125825	Lever #4	300-516	125887	Base
138-120	125772	Shank	300-119	125826	Lever #5	300-517	125888	Decalcomania
138-122	125773	Handle	300-120	125827	Lever	300-518	125889	Base
138-123	125774	Shank	300-121	125828	Shaft	300-519	125890	Armature
138-125	126245	Gauge	300-128	125829	Lever	300-601	125891	Bracket
138-126	126246	Gauge	300-130	125830	Armature	300-602	125892	Shaft
138-127	125775	Wrench	300-131	125831	Cont. Spring	300-603	125893	Shaft
138-128	125776	Wrench	300-132	125832	Cont. Spring	300-604	125894	Lever
138-129	125777	Wrench	300-137	125833	Lever Guide	300-605	125895	Bracket
138-130	125778	Shank	300-138	125834	Spool	300-606	125896	Shaft
138-133	125779	Wrench	300-139	125935	Tube	300-607	125897	Bracket
138-134	125780	Handle	300-140	125836	Magnet Core	300-608	125898	Pawl
138-135	125781	Shank	300-142	125837	Magnet Yoke	300-609	125899	Post
138-136	125782	Wrench Grip	300-143	125838	Plunger	300-700	125900	Panel
138-137	110445	Tool	300-144	125839	Bracket	300-701	125557	Panel
138-139	125783	Stone	300-145	125840	Rod	300-702	125901	Stud
138-141	114758	Tuning Fork	300-146	125841	Lever	400-2	125902	Rod
200-20	3639	Washer	300-147	125842	Button	400-3	125903	Brush
200-133	125785	Spring	300-150	125843	Plate	400-6	125904	Lamp
200-137	125786	Spring	300-152	125844	Adj. Lever	400-102	125905	Strip
200-139	125787	Button	300-153	125845	Yoke	400-203	125906	Gear
200-148	125788	Post	300-154	125846	Cont. Point	400-206	125907	Washer
200-153	3640	Washer	300-155	125847	Plate	400-207	125908	Pinion
200-214	125789	Shim	300-170	125848	Cont. Lever	400-209	125909	Shaft
200-704	3642	Washer	300-171	125849	Cont. Lever	400-210	125910	Shaft
200-705	125790	Bushing	300-172	125850	Cont. Lever	400-211	125911	Wheel
200-1028	125791	Washer	300-173	125851	Cont. Lever	400-212	125912	Segment Ring
200-1031	6033	Washer	300-174	125852	Cont. Lever	400-215	125913	Collector Ring
200-1032	3646	Washer	300-175	125853	Cont. Lever	400-218	125914	Terminal

Old No.	New No.	Description	Old No.	New No.	Description	Old No.	New No.	Description
400-221	125915	Disk	700-68	73202	Washer	55083-12	126107	"T" Bar
400-222	125916	Range Scale	700-71	3650	Washer	55083-13	126108	"T" Bar
400-302	125917	Bushing	700-75	125750	Screw	55083-14	126109	"T" Bar
400-402	125918	Bushing	700-76	125770	Terminal	55083-15	126110	"T" Bar
400-509	125342	Sleeve	1000-203	125923	Washer	55083-16	126111	"T" Bar
400-510	125210	Shaft	1000-252	110446	Nut	55083-17	126112	"T" Bar
400-513	125919	Washer	W-1098	70793	Spacer	55083-18	126113	"T" Bar
400-519	125920	Sleeve	W-1238	126234	Pin	55083-20	126114	"T" Bar
400-801	125921	Gear	W-1241	126235	Collar	55083-21	126115	"T" Bar
400-1002	125922	Decalcomania	W-1958	71681	Spool	55084-A2	126156	Bar
400-1404	125924	Lever	W-2328	72669	Clip	55084-A4	126157	Bar
500-4	125925	Switch	W-2657	126236	Spring	55084-A6	126158	Bar
500-6	125926	Connector	W-6095	84990	Screw	55084-A8	126159	Bar
500-7	125927	Locknut	W-6104	126237	Nut	55084-A10	126160	Bar
500-19	125928	Washer	W-9277	126238	Handle	55084-A12	126161	Bar
500-80	125929	Resistor	W-9278	126239	Journal	55084-A14	126162	Bar
500-96	125930	Washer	W-9279-A	126240	Crank	55084-A16	126163	Bar
500-99	125931	Switch	W-9337-F	89883	Nut	55084-A18	126164	Bar
500-104	125932	Spring	W-9470	86341	Screw	55084-A20	126165	Bar
500-105	125933	Plate	W-9542	74878	Paper Drag	55084-B1	126166	Bar
500-112	125934	Spring	W-10074	110743	Washer	55084-B3	126167	Bar
500-205	125935	Spring	W-10076	3646	Washer	55084-B5	126168	Bar
500-308	125936	Pin	W-10077	45815	Washer	55084-B7	126169	Bar
500-309	125937	Pin	W-10080	3640	Washer	55084-B9	126170	Bar
500-310	125938	Chain	W-10082	4814	Washer	55084-B11	126171	Bar
500-311	125939	Pin "S" Hook	W-10083	3639	Washer	55084-B13	126172	Bar
500-403	125940	Block	W-10086	126241	Washer	55084-B15	126173	Bar
500-404	125941	Socket	W-10088	70071	Washer	55084-B17	126174	Bar
500-406	125942	Fuse	W-10090	70072	Washer	74274-1	126232	Button
500-600	125943	Box	55083-1	126096	"T" Bar			
500-703	125944	Foot	55083-2	126097	"T" Bar			
500-1008	125945	Switch	55083-3	126098	"T" Bar			
W-666	126233	Pivot	55083-4	126099	"T" Bar			
W-667	74877	Spring	55083-5	126100	"T" Bar			
W-669	117313	Spindle	55083-6	126101	"T" Bar			
700-51	125946	Screw	55083-7	126102	"T" Bar			
700-55	125947	Screw	55083-8	126103	"T" Bar			
700-59	125948	Screw	55083-9	126104	"T" Bar			
700-60	125949	Screw	55083-10	126105	"T" Bar			
700-65	125722	Screw	55083-11	126106	"T" Bar			

NEW TO OLD NUMBER CONVERSION LIST

New No.	Old No.	New No.	Old No.	New No.	Old No.	New No.	Old No.	New No.	Old No.
1036	34-51	3642	200-704	112622	33-334	125127	33-58	125198	122-557
1157	33-1	3646	200-1032	112623	33-335	125128	33-59	125199	33-278
1158	33-3	3646	W-10076	112624	33-337	125129	33-60	125200	33-282
1159	33-5	3647	200-1139	112625	33-347	125130	33-63	125201	33-283
1160	33-6	3649	200-2212	112626	34-4	125131	33-65	125202	33-285
1161	33-7	3650	700-71	112627	34-11	125132	33-70	125203	33-289
1162	33-10	4702	35-52	112628	34-64	125133	33-72	125205	33-296
	33-156	4703	35-86	112629	35-1	125134	33-73	125206	33-336
1163	33-11	4705	35-134	112630	35-2	125135	33-75	125207	33-339
1164	33-14	4706	300-505	112631	35-8	125136	33-79	125208	33-340
1165	33-16	4707	300-506	112632	35-33	125137	33-82	125209	33-341
1166	33-17	4708	35-87	112633	35-54	125138	33-85	125210	400-510
1167	33-19	4814	W-10082	112634	35-89	125139	33-86	125211	33-344
1168	33-35	5475	34-5	112635	35-137	125140	33-88	125212	33-346
1169	33-37	5556	300-301	112636	35-140	125141	33-89	125213	33-348
1170	33-49	5740	33-13	112640	122-384	125142	33-98	125214	33-349
1171	33-53	5815	34-14	114756	138-5	125143	33-101	125215	33-350
1172	33-54	5816	100-74	114758	138-141	125144	33-108	125216	33-356
1173	33-64	6033	200-1031	117313	W-669	125146	33-114	125217	33-362
1174	33-157	9574	100-88	119957BC	122-490	125147	33-121	125218	34-1
1175	33-169	9575	122-113	119959BC	122-345	125148	33-123	125219	34-3
1176	33-195	9576	200-1135	119960BC	122-444	125149	33-130	125220	34-10
1177	33-234	9577	200-1137	120499BC	122-570	125150	33-135	125221	34-13
1178	33-237	45815	W-10077	125000	33-74	125151	33-141	125222	34-16
1179	33-238	49054	33-111	125001	33-132	125152	33-143	125223	34-19
1181	33-360	55257	34-12	125002	33-179	125153	33-151	125224	34-24
1222	33-39	70071	W-10088	125003	33-206	125154	33-153	125225	34-27
1223	33-69	70072	W-10090	125004	33-272	125155	33-158	125226	34-35
1263	33-4	70073	34-7	125005	33-280	125156	33-162	125227	34-39
1299	33-290	70793	W-1098	125006	33-333	125157	33-163	125228	34-41
2723	34-63	71047	43-12	125009	34-59	125158	33-167	125229	34-48
3595	34-2	71444	123-8	125010	61-24	125159	33-168	125230	34-54
3597	34-6	71681	W-1958	125011	103-27	125160	33-175	125231	34-58
3598	34-8	72669	W-2328	125012	122-48	125161	33-176	125232	34-60
3599	34-9	73202	700-68	125013	122-276	125162	33-180	125233	34-61
3600	34-25	74877	W-667	125014	122-337	125163	33-185	125234	34-62
3602	34-28	74878	W-9542	125015	123-244	125164	33-193	125235	34-66
3603	34-29	74879	4-8	125016	126-123	125165	33-194	125236	35-13
3604	34-50	80520BC	122-352	125091	125-221	125166	33-196	125237	35-16
3605	34-53	80523BC	122-356	125092	36-131	125167	33-197	125238	35-23
3606	34-55	84695	122-562	125097	125-197	125168	33-198	125239	35-24
3608	35-58	84990	W-6095	125098	125-198	125169	33-202	125240	35-26
3610	35-126	86341	W-9470	125099	52-4	125170	33-207	125241	35-27
3611	35-129	86850	33-240	125100	2-3	125171	33-208	125242	35-28
3614	36-56	87636	33-270	125101	4-4	125172	33-209	125243	35-34
3614	36-137	88993	138-100	125102	4-11	125173	33-210	125244	35-40
3615	36-152	89883	W-9337-P	125103	6-1	125174	33-211	125245	35-43
3616	36-173	110434	33-110	125104	6-2	125175	33-212	125246	35-47
3618	61-7	110435	34-56	125105	23-8	125176	33-213	125247	35-48
3620	100-75	110436	35-42	125106	25-21	125177	33-217	125248	35-53
3621	100-85	110437	35-70	125107	26-19	125178	33-224	125249	35-66
3623	100-97	110438	35-88	125108	33-2	125179	33-225	125250	35-68
3624	100-108	110439	36-146	125109	33-8	125180	33-227	125251	35-69
3625	S-122-39	110440	36-153	125110	33-9	125181	33-228	125252	35-71
3626	122-68	110441	100-96	125111	33-12	125182	33-267	125253	35-72
3627	S-122-234	110442	138-22	125112	33-15	125183	33-235	125254	35-78
3628	123-7	110443	138-55	125113	33-18	125184	33-236	125255	35-80
3629	123-10	110444	138-58	125114	33-22	125185	33-241	125256	35-84
3630	123-36	110445	138-137	125115	33-23	125186	33-244	125257	35-85
3632	123-163	110446	1000-252	125116	33-29	125187	33-245	125258	35-99
3633	123-164	110741	33-78	125117	33-32	125188	33-250	125259	35-101
3634	123-165	110742	33-311	125118	33-36	125189	33-252	125260	35-104
3635	123-166	110743	W-10074	125119	33-38	125190	33-253	125261	35-111
3636	123-167	110901	(122-574	125120	33-41	125191	33-254	125262	35-116
3637	123-194		(122-367	125121	33-42	125192	33-255	125263	35-123
3638	125-9	110902	(122-367	125122	33-43	125193	33-257	125264	35-124
3639	200-20		(122-368	125123	33-45	125194	33-264	125265	35-125
3639	W-10083	111019	122-575	125124	33-50	125195	33-271	125266	35-131
3640	200-153	112620	33-21	125125	33-51	125196	33-274	125267	35-132
3640	W-10080	112621	33-170	125126	33-57	125197	33-276	125268	35-133

<u>New No.</u>	<u>Old No.</u>	<u>New No.</u>	<u>Old No.</u>	<u>New No.</u>	<u>Old No.</u>	<u>New No.</u>	<u>Old No.</u>	<u>New No.</u>	<u>Old No.</u>
125269	36-120	125343	100-145	125417	122-65	125491	122-363	125564	122-457
125270	36-19	125344	100-148	125418	122-67	125492	122-364	125565	122-459
125271	36-23	125345	100-151	125419	S-122-69	125493	122-365	125566	122-460
125272	36-24	125346	100-152	125420	122-80	125494	122-366	125567	122-461
125273	36-28	125347	100-153	125421	122-84	125495	122-369	125568	122-462
125274	36-35	125348	100-159	125422	122-86	125496	122-370	125569	122-463
125275	36-38	125349	100-167	125423	122-88	125497	122-371	125570	122-464
125276	36-39	125350	100-173	125424	122-89	125498	122-373	125571	122-465
125277	36-45	125351	100-178	125425	122-94	125499	122-374	125572	122-466
125278	36-51	125352	100-179	125426	122-95	125500	122-375	125573	122-467
125279	36-72	125353	100-187	125427	122-97	125501	122-376	125574	122-468
125280	36-73	125354	100-188	125428	122-100	125502	122-377	125575	122-469
125281	36-80	125355	100-217	125429	122-101	125503	122-378	125576	122-470
125282	36-85	125356	100-218	125430	122-102	125504	122-380	125577	122-471
125283	36-103	125357	100-219	125431	122-106	125505	122-381	125578	122-472
125284	36-104	125358	100-220	125432	122-106G	125506	122-382	125579	122-473
125285	36-105	125359	100-227	125433	122-107	125507	122-383	125580	122-474
125286	36-106	125360	100-228	125434	122-108	125508	122-386	125581	122-475
125287	36-109	125361	100-234	125435	122-111	125509	122-387	125582	122-476
125288	36-110	125362	100-235	125436	122-112	125509BC	122-392	125583	122-477
125289	36-113	125363	100-246	125437	122-115	125510	122-388	125584	122-478
125290	36-114	125364	100-253	125438	122-116	125511	122-389	125585	122-479
125291	36-124	125365	100-254	125439	122-117	125512	122-390	125586	122-480
125292	36-132	125366	100-255	125440	122-118	125514	122-396	125587	122-481
125293	36-134	125367	100-256	125441	122-119	125515	122-397	125588	122-482
125294	36-136	125368	100-257	125442	122-120	125516	122-399	125589	122-483
125295	36-139	125369	103-75	125443	122-121	125517	122-400	125590	122-484
125296	36-147	125370	103-77	125444	122-124	125518	122-401	125591	122-485
125297	36-150	125371	103-102	125445	122-126	125519	122-402	125592	122-487
125298	36-151	125372	103-151	125446	122-127	125520	122-403	125594	122-511
125299	36-154	125373	112-7	125447	122-128	125521	122-404	125595	122-526
125300	36-164	125374	112-8	125448	122-129	125522	122-405	125596	122-528
125301	36-165	125375	112-64	125449	S-122-130	125523	122-406	125597	122-529
125302	36-170	125376	120-20	125450	122-133	125524	122-407	125598	122-530
125303	36-172	125377	F-126-24	125451	S-122-134	125525	122-408	125599	122-531
125304	36-174	125379	122-5	125452	122-135	125526	122-409	125600	122-532
125306	43-10	125380	122-11	125453	S-122-136	125527	122-410	125601	122-533
125307	46-3	125381	122-12	125454	122-137	125528	122-411	125602	122-534
125308	47-2	125382	122-18	125455	122-139	125529	122-412	125603	122-535
125309	47-4	125383	S-122-19	125456	122-140	125530	122-413	125604	122-536
125310	47-5	125384	S-122-20	125457	122-143	125531	122-414	125605	122-537
125311	52-5	125385	S-122-21	125458	122-146	125532	122-415	125606	122-538
125312	54-3	125386	S-122-22	125459	122-147	125533	122-416	125607	122-539
125313	61-9	125387	S-122-23	125461	122-192	125534	122-417	125608	122-540
125314	61-10	125388	S-122-24	125462	122-193	125535	122-418	125609	122-541
125315	61-12	125389	122-25	125463	122-194	125536	122-419	125610	122-542
125316	61-21	125390	122-26	125464	122-195	125537	122-420	125611	122-543
125317	61-25	125391	122-27	125465	122-196	125538	122-421	125612	122-544
125318	80-1	125392	122-28	125466	122-241	125539	122-422	125613	122-545
125319	80-2	125393	122-29	125467	122-242	125540	122-423	125614	122-546
125320	80-3	125394	122-35	125468	122-244	125541	122-424	125615	122-547
125321	80-4	125395	122-36	125469	122-245	125542	122-425	125616	122-548
125322	80-5	125396	S-122-37	125470	122-246	125543	122-426	125617	122-549
125323	100-70	125397	S-122-38	125471	122-247	125544	122-427	125618	122-550
125324	100-71	125398	S-122-40	125472	122-249	125545	122-428	125619	122-551
125325	100-72	125399	122-41	125473	122-250	125546	122-429	125620	122-552
125326	100-73	125400	122-42	125474	122-251	125547	122-430	125621	122-553
125327	100-79	125401	122-43	125475	122-252	125548	122-431	125622	122-554
125328	100-80	125402	122-46	125476	122-253	125549	122-432	125623	122-555
125329	100-81	125403	122-49	125477	122-254	125550	122-433	125624	122-556
125330	100-84	125404	122-50	125478	122-257	125551	122-434	125625	122-558
125331	100-92	125405	122-51	125479	122-259	125552	122-435	125626	122-559
125332	100-93	125406	122-52	125480	122-260	125553	122-436	125628	122-563
125333	100-100	125407	122-53	125481	122-275	125554	122-437	125629	122-564
125334	100-101	125408	122-54	125482	122-290	125555	122-438	125630	122-565
125335	100-106	125409	122-55	125483	125-240	125556	122-439	125631	122-567
125336	100-109	125410	122-56	125484	122-346	125557	300-701	125633	122-571
125337	100-110	125411	122-57	125485	122-347	125558	122-447	125634	122-572
125338	100-111	125412	122-58	125486	122-349	125559	122-450	125635	122-573
125339	100-112	125413	122-60	125487	122-350	125560	122-451	125636	122-576
125340	100-113	125414	122-61	125488	122-357	125561	122-452	125637	122-577
125341	100-120	125415	122-62	125489	122-358	125562	122-453	125638	122-580
125342	400-509	125416	122-63	125490	122-359	125563	122-454	125639	122-581

New No.	Old No.	New No.	Old No.	New No.	Old No.	New No.	Old No.	New No.	Old No.
125640	122-582	125714	125-161	125789	200-214	125863	300-304	125936	500-308
125641	122-583	125715	125-169	125790	200-705	125864	300-306	125937	500-309
125642	122-586	125716	125-176	125791	200-1028	125865	300-307	125938	500-310
125643	122-589	125717	125-184	125792	200-1132	125866	300-308	125939	500-311
125644	122-590	125718	125-194	125793	200-1134	125867	300-312	125940	500-403
125645	122-592	125719	125-208	125794	200-1136	125868	300-314	125941	500-404
125646	122-593	125720	125-209	125795	200-1138	125869	300-315	125942	500-406
125647	122-594	125721	125-211	125796	200-1175	125870	300-316	125943	500-600
125648	122-596	125722	700-65	125797	200-1176	125871	300-319	125944	500-703
125649	122-597	125723	125-237	125798	W-122-152	125872	300-320	125945	500-1008
125650	122-598	125724	125-238	125799	200-1178	125873	300-322	125946	700-51
125651	122-599	125725	125-239	125800	200-1179	125874	300-400	125947	700-55
125652	122-600	125726	125-242	125801	200-1345	125875	300-501	125948	700-59
125653	122-601	125727	125-269	125802	200-1348	125876	300-502	125949	700-60
125654	122-602	125728	125-270	125803	200-1703	125877	300-503	126096	55083-1
125655	122-603	125729	125-276	125804	200-2002	125878	300-504	126097	55083-2
125656	122-604	125730	126-11	125805	200-2210	125879	300-507	126098	55083-3
125657	122-605	125731	126-64	125806	200-2217	125880	300-508	126099	55083-4
125658	122-606	125732	126-92	125807	200-2800	125881	300-509	126100	55083-5
125659	122-607	125733	126-93	125808	200-2802	125882	300-510	126101	55083-6
125660	122-608	125734	126-95	125809	300-3	125883	300-511	126102	55083-7
125661	122-609	125735	126-107	125810	300-103	125884	300-512	126103	55083-8
125662	122-610	125736	126-108	125812	300-104	125885	300-513	126104	55083-9
125663	122-611	125737	126-111	125813	300-105	125886	300-515	126105	55083-10
125664	122-612	125738	126-114	125814	300-106	125887	300-516	126106	55083-11
125665	122-613	125739	126-118	125815	300-107	125888	300-517	126107	55083-12
125666	122-614	125740	126-126	125816	300-108	125889	300-518	126108	55083-13
125667	122-615	125741	126-127	125817	300-109	125890	300-519	126109	55083-14
125668	122-616	125742	138-1	125818	300-110	125891	300-601	126110	55083-15
125669	122-617	125743	138-2	125819	300-111	125892	300-602	126111	55083-16
125670	122-618	125744	138-3	125820	300-113	125893	300-603	126112	55083-17
125671	122-619	125745	138-4	125821	300-114	125894	300-604	126113	55083-18
125672	122-620	125747	138-6	125822	300-115	125895	300-605	126114	55083-20
125673	122-621	125748	138-7	125823	300-116	125896	300-606	126115	55083-21
125674	122-622	125749	138-9	125824	300-117	125897	300-607	126156	55084-A2
125675	122-623	125750	700-75	125825	300-118	125898	300-608	126157	55084-A4
125676	122-624	125751	138-20	125826	300-119	125899	300-609	126158	55084-A6
125677	122-625	125752	138-23	125827	300-120	125900	300-700	126159	55084-A8
125678	122-626	125753	138-24	125828	300-121	125901	300-702	126160	55084-A10
125679	122-627	125754	138-25	125829	300-128	125902	400-2	126161	55084-A12
125680	122-628	125755	138-26	125830	300-130	125903	400-3	126162	55084-A14
125681	122-629	125756	138-27	125831	300-131	125904	400-6	126163	55084-A16
125682	122-630	125757	138-28	125832	300-132	125905	400-102	126164	55084-A18
125683	122-697	125758	138-30	125833	300-137	125906	400-203	126165	55084-A20
125684	122-698	125759	138-32	125834	300-138	125907	400-206	126166	55084-B1
125685	122-699	125760	138-33	125835	300-139	125908	400-207	126167	55084-B3
125686	122-700	125761	138-34	125836	300-140	125909	400-209	126168	55084-B5
125687	122-702	125762	138-35	125837	300-142	125910	400-210	126169	55084-B7
125688	122-703	125763	138-36	125838	300-143	125911	400-211	126170	55084-B9
125689	122-704	125764	138-38	125839	300-144	125912	400-212	126171	55084-B11
125690	122-705	125765	138-52	125840	300-145	125913	400-215	126172	55084-B13
125691	122-706	125766	138-67	125841	300-146	125914	400-218	126173	55084-B15
125692	122-707	125767	138-68	125842	300-147	125915	400-221	126174	55084-B17
125693	122-708	125768	138-69	125843	300-150	125916	400-222	126232	74273-1
125694	122-709	125769	138-74	125844	300-152	125917	400-302	126233	W-666
125695	122-710	125770	700-76	125845	300-153	125918	400-402	126234	W-1238
125696	123-37	125771	138-119	125846	300-154	125919	400-513	126235	W-1241
125698	123-123	125772	138-120	125847	300-155	125920	400-519	126237	W-6104
125699	123-135	125773	138-122	125848	300-170	125921	400-801	126238	W-9277
125700	123-154	125774	138-123	125849	300-171	125922	400-1002	126239	W-9278
125701	123-158	125775	138-127	125850	300-172	125923	1000-203	126240	W-9279-A
125702	123-159	125776	138-128	125851	300-173	125924	400-1404	126241	W-10086
125703	123-308	125777	138-129	125852	300-174	125925	500-4	126242	138-43
125704	123-314	125778	138-130	125853	300-175	125926	500-6	126243	138-44
125705	123-342	125779	138-133	125854	300-177	125927	500-7	126244	138-49
125706	123-343	125780	138-134	125855	300-178	125928	500-19	126245	138-125
125707	123-357	125781	138-135	125856	300-179	125929	500-80	126246	138-126
125708	123-362	125782	138-136	125857	300-180	125930	500-96	126247	122-348
125709	123-364	125783	138-139	125858	300-181	125931	500-99	126248	122-354
125710	123-412	125785	200-133	125859	300-200	125932	500-104	126249	122-355
125711	123-447	125786	200-137	125860	300-201	125933	500-105	126250	33-275
125712	125-23	125787	200-139	125861	300-302	125934	500-112	126251	200-1177
125713	125-55	125788	200-148	125862	300-303	125935	500-205	126253	125-217
								126336	W-2657

ADDITIONS TO PARTS BULLETINS

- 1028, Issue 2 - Model 14 Type Bar Tape Printer, Page 5
- 1030, Issue 2 - Model 14 Type Bar Tape Printer, Page 5
- 1031, Issue 3 - Model 14 Type Bar Tape Printer, Page 7
- 1037, Issue 4 - Model 15 Type Bar Page Printer, Page 3
- 1063, Issue 2 - Model 20 Type Bar Page Printer, Page 2
- 1064, Issue 2 - Single Magnet Reperforator (Models 14 and 20 Nontyping), Page 2
- 1072, Issue 2 - Regenerator Unit and Panel, Page 2
- 1074, Issue 2 - Type Wheel Page Printer (Model 26), Page 8
- 1080, Issue 1 - Single Magnet Reperforator (Model 14 Nontyping), Page 2
- 1082, Issue 2 - Typing Reperforator (Model 14), Page 18
- 1088, Issue 2 - Typing Reperforator (Model 14), Page 10
- 1094, Issue 2 - Model 15 Type Bar Page Printer, Page 3
- 1100, Issue 2 - Typing Reperforator (Model 14), Page 8
- 1107, Issue 1 - Nontyping Selector, Page 6
- 1108, Issue 2 - Reperforator Transmitter (Model 14), Page 13
- 1110, Issue 2 - U.S. Army Signal Corps Printers TG-7-A and TG-7-B (Teletype Model 15), Page 3
- 1114, Issue 1 - Model 15 Type Bar Page Printer, Page 3
- 1116, Issue 1 - Nontyping Selector, Page 5
- 1117, Issue 1 - U.S. Army Signal Corps Reperforator Transmitters TG-26-A and TG-27-A (Teletypewriter), Page 7
- 1126, Issue 1 - Reperforator Transmitter Distributor (Model 14), Page 11
- 1130, Issue 1 - Multiple Reperforator, Page 6
- 1141, Issue 1 - Teletype Sequential Control (SECO) System Equipment, Page 13
- 1143, Issue 2 - Sequential Selector, Page 13

1. This correction sheet which supersedes EE-687 covers parts ordering information for the redesigned capstan nut associated with the selector clutch.
2. To permit adjustment of the selector clutch torque without the necessity of removing the selector cam sleeve, a 119540 keyed nut, a 122974 capstan nut, and a 122838 spacer replaces the 72517 nut and 72515 keyed nut.
3. Shims formerly supplied to adjust the selector clutch torque in the field are still available under the following numbers:

- 96763 Shim (.012" thick)
- 96764 Shim (.016" thick)
- 96765 Shim (.020" thick)



119540 NUT, KEYED



122974 NUT, CAPSTAN



122838 SPACER

CHANGES AND ADDITIONS
TO BULLETINS 1108B (ISSUE 2) AND 1126B (ISSUE 1)
PARTS - REPERFORATOR TRANSMITTER (MODEL 14)

This correction sheet supersedes correction sheets 659EE, 692EE, and 741EE.

BULLETIN 1108B, Page 1

Since a notch has been added to the 102399 Chad Box, a 120416 Detent Spring and three 120489 Spacers have been added to the 102396 Guide Strip on the right-hand side. Omit the 102764 Retaining Strip - Right.

To work over the 102399 Chad Box not equipped with a notch, Specification 5620S is supplied on orders for the 106991 set of parts which consists of one 120416 Detent Spring and three 120489 Spacers.

BULLETIN 1108B, Page 3

BULLETIN 1126B, Page 2

The 90438 Felt Button used in the rear bearing for the sensing and distributor shaft has been replaced by a 122547 Felt Button to provide improved lubrication. The 122547 Felt Button is approximately 9/16" long.

The 73018 Oil Cup has been replaced by a 117268 Oil Cup and a 76474 Nut.

The 120870 Lubricators have been added to the sensing and distributor cam sleeves. See Figure 1 for parts.

The 80471 Spring has been replaced by a 120599 Spring. The tension of the 102252 Spring has been increased; for identification purposes this spring is marked by a coat of green enamel and the 120599 Spring by a coat of gray enamel applied to one end turn of the springs. In order to keep both springs within the limits of the new requirements, a set of springs (102252 and 120599) should be ordered when a replacement of one is necessary.

BULLETIN 1108B, Page 4

BULLETIN 1126B, Page 3

In the front view of the distributor shaft bracket, the 4503 Clamping Plate has been replaced by 117266 Clamping Plate.

The 124134 Spring Bending Tool is recommended for adjusting the distributor contacts. See Figure 4.

The 103516 Oil Shield for the distributor contacts has been replaced by a 124187 Oil Shield. (Figure 5).

The 93758 Washers have been added to each of the 102458 Contact Levers (as indicated in illustration) to absorb excess oil. (Figure 5).

*BULLETIN 1126B, Page 3

In the Subshaft (Assem.) drawing, the bearing housing shims are incorrectly labeled "110653 shims", and should be altered to read "111653 shims".

BULLETIN 1108B, Page 5

BULLETIN 1126B, Page 7

The 103399 Tape Chute has been replaced by a 120960 Tape Chute with embossed rib.

BULLETIN 1108B, Page 6

BULLETIN 1126B, Page 4

CLUTCH DETENT LEVER BRACKET AND TAPE-OUT CONTACT (ASSEM.) - The 115778 set of parts (Figure 6) replaces the following parts:

1047	Screw	102303	Roller
3598	Nut	102304	Lever, Detent
94665	Screw	125257	Spring
102028	Post, Spring		

BULLETIN 1108B, Page 6

CLUTCH MAGNET BRACKET - (ASSEM.) - A 120682 Clutch Magnet Release Spring has been added to the Clutch Magnet Bracket - (Assem). This release spring is assembled to the shaft of the clutch magnet assembly and rests against the upper end pieces of the magnet coils. Its purpose is to improve the armature release time and to prevent the armatures from sticking to their magnet cores because of oil residues.

BULLETIN 1108B, Page 7

BULLETIN 1126B, Page 17

The 110437 Spring associated with the 102415 Shift Latch in the upper illustrations and the 102262 Shift Lever in the lower illustrations has been replaced by an 84575 Spring.

In the upper illustration the 102416 Screw has been lengthened .064" (from .656" to .720") to accommodate the addition of a 3598 Nut.

BULLETIN 1108B, Page 10

BULLETIN 1126B, Page 9

The 98479 Guard for the type bar backstop as shown in Figure 2, now applies to all models.

BULLETIN 1108B, Page 11

In the contact assembly mounting parts, the four 6746 Screws have been replaced by 80342 Screws and four 72252 Washers have been added.

BULLETIN 1108B, Page 13

BULLETIN 1126B, Page 11

The 82440 Screw used for mounting the cams has been replaced by a 120896 Screw which is only partially threaded.

BULLETIN 1108B, Page 14

BULLETIN 1126B, Page 12

OIL SHIELD FOR SELECTOR MAGNET CORES - The 113693 Set of Parts (Figure 7) has been added to the holding magnet selector. New style 92273 Magnet Cores have a red spot on the rear surfaces for identification purposes.

*Specification 5682S contains instructions for the installation of the 113693 set of parts.

BULLETIN 1108B, Page 15
BULLETIN 1126B, Page 13

In the center illustration, the 1174 Screw (right side) has been replaced by a 94669 Screw and the 3640 Lock Washer and 3599 Nut have been omitted.

BULLETIN 1108B, Page 16
BULLETIN 1126B, Page 14

The "100185 Spring Post" in the upper illustration of Bulletin 1108B and the "74554 Spring Post" of Bulletin 1126B have both been replaced by an "86506 Spring Post".

In the lower illustration, six 90752 Felt Washers have been added (for lubrication purposes) to the 101903 Stud between the arms of the 101904 Bail-Upper.

BULLETIN 1108B, Page 17
BULLETIN 1126B, Page 15

The 72509 Lock Washer (Bulletin 1108B) and 2191 Lock Washer (Bulletin 1126B), associated with the 74399 Screw, 125015 Washer, and 95438 Nut, have been replaced by a 107116 Lock Washer.

A 2191 Lock Washer has been added to the 125163 Screw that secures the 101995 Detent Lever.

Four of the six 95417 Separators have been replaced by four separators of new design. See Figure 3 for parts. In the upper illustration, the 7603 Spring replaces the 115978 Spring in Bulletin 1108B and the 112634 Spring in Bulletin 1126B.

The 102379 ribbon guide has been replaced by a 123945 ribbon guide. The 123945 ribbon guide differs from the 102379 ribbon guide in that the end of the long projection is bent at an angle of approximately 30 degrees.

BULLETIN 1108B, Pages 17 and 18
BULLETIN 1126B, Pages 15 and 16

In the upper illustrations the 101987 punch selector fingers have been replaced by 117257 punch selector fingers which are .047" longer and have a notch on the flared out portion mounting the retaining spring.

The 101988 Spring Bracket and 112634 Springs (5) have been replaced by the new style 101988 Spring Bracket and 42661 Springs (5). The right-hand side of the new style bracket which has three spring holes is now .250" in height. The 112634 Spring is erroneously listed as 115978 on Page 18 of Bulletin 1108B. The new style 101988 Spring Bracket and 42661 Springs (5) should be used with the 117257 Punch Selector Fingers.

BULLETIN 1108B, Page 19
BULLETIN 1126B, Page 18

In the upper illustration (Bulletin 1108B) and lower illustration (Bulletin 1126B) the 112627 Nut on the 102220 Shaft (redesigned) has been replaced by two 119648 Retainers (one at each end); the 102228 Tape Operating Bail is replaced by the 120961 Tape Depressor Bail, modified for better guidance of the tape loops.

*The 102204 springs associated with the 111060 code punch block assembly have been replaced by the 124661 springs.

BULLETIN 1108B, Page 20

BULLETIN 1126B, Page 19

In the lower illustrations, the 1047 Screw and 3598 Nut that secure the 102303 Roller have been replaced by an 82532 Screw and 3606 Nut respectively.

A 121922 Tape Deflector (yoke rod shield) has been added to the pivoted transmitter assembly. It pivots on the yoke rod and is held in place by two 121923 springs anchored to two 78872 brackets.

BULLETIN 1108B, Page 21

The 102441 Selector Yoke Plate has been redesigned; it is similar to the 105139 Plate used on FRXD9 and 10 (shown on page 20) with the exception that the 102441 Plate has a bevel added to the tape channel.

When a 102441 Selector Yoke Plate or 102448 Transmitter Lid is ordered, the new style 102441 Selector Yoke Plate and 105133 Transmitter Lid are furnished since the yoke plate and lids are not individually interchangeable.

BULLETIN 1108B, Page 22

The 115515 Transfer Bail and Slide Assembly Bracket has a machined surface at the threaded bearing end for the 119754 Shaft to accommodate a 3598 Lock Nut.

BULLETIN 1108B, Page 22

BULLETIN 1126B, Page 20

In the lower illustration, the "102186 Spacer - End" (with shoulder) should appear on the left and the "102184 Spacer - End" (without shoulder) should appear on the right.

BULLETIN 1108B, Pages 22 and 23

The 7614 Spring listed on Page 22 should be listed on Page 23, also on Page 22, a 41385 Spring should be listed in place of the 7614 and 55063 Spring.

NOTE: The 7614 Transfer Bail Spring (25 turns) is used only with the old style Transfer Bail Assembly Mounting Bracket. The 41385 Transfer Bail Spring (15 turns) is used only with the 115515 New Style Bracket (casting).

BULLETIN 1108B, Page 24

BULLETIN 1126B, Page 21

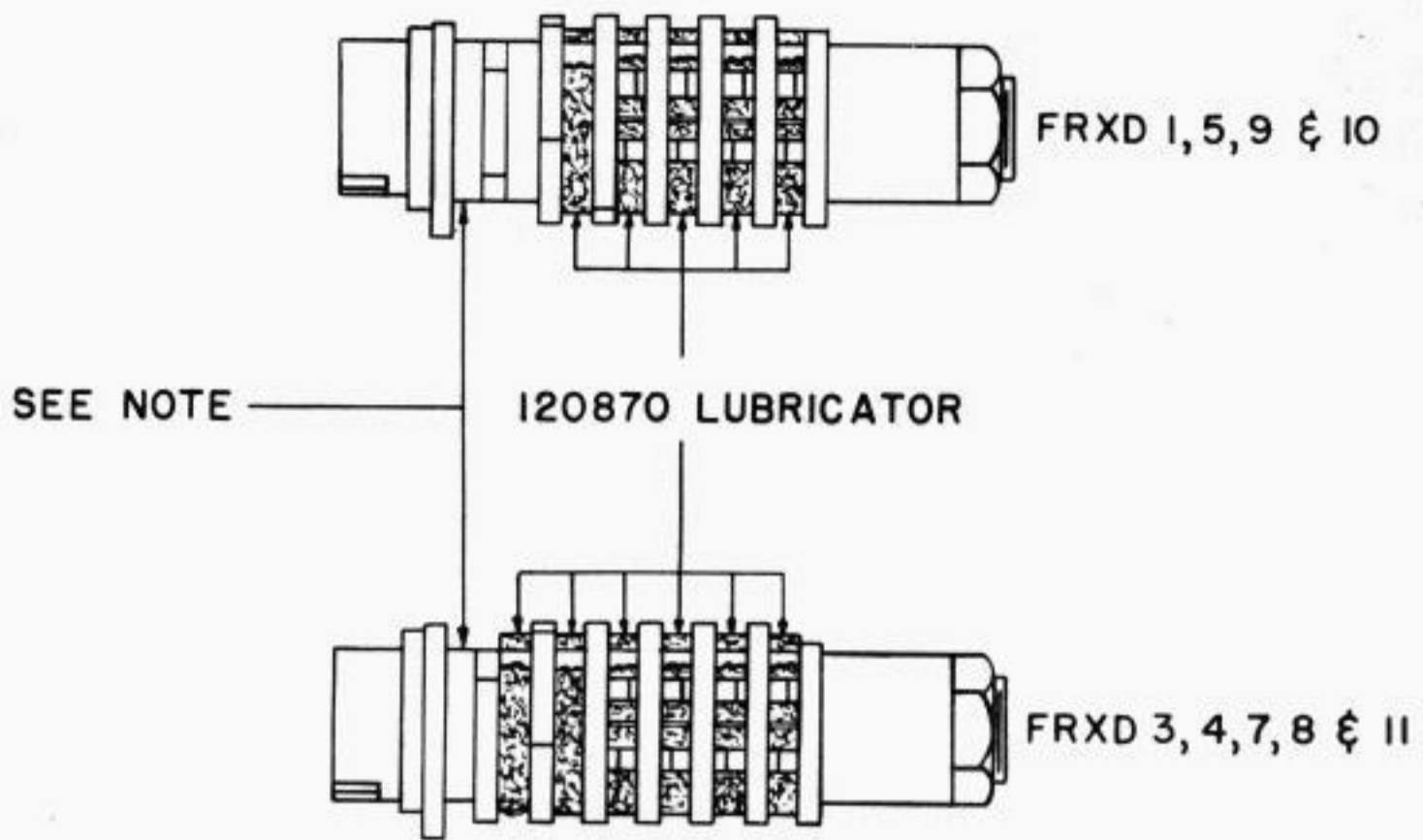
*In the sensing contacts mounting parts the ten 7002 Washers have been replaced by ten 74722 Washers. Under the 102168 Post the 2191 Lock Washer has been omitted and the 7002 Washer has been replaced by a 74722 Washer (on Page 25 also in Bulletin 1108B). The 102089 Spacer - Long in the contact pileup has been replaced by a 102088 Spacer.

*

*

*

DISTRIBUTOR CAM SLEEVE ASSEMBLIES



NOTE: THE 120870 LUBRICATOR IS REQUIRED IN THIS POSITION ONLY WHEN THE 123535 DETENT LEVER (FIGURE 6) IS USED.

SENSING CAM SLEEVE ASSEMBLIES

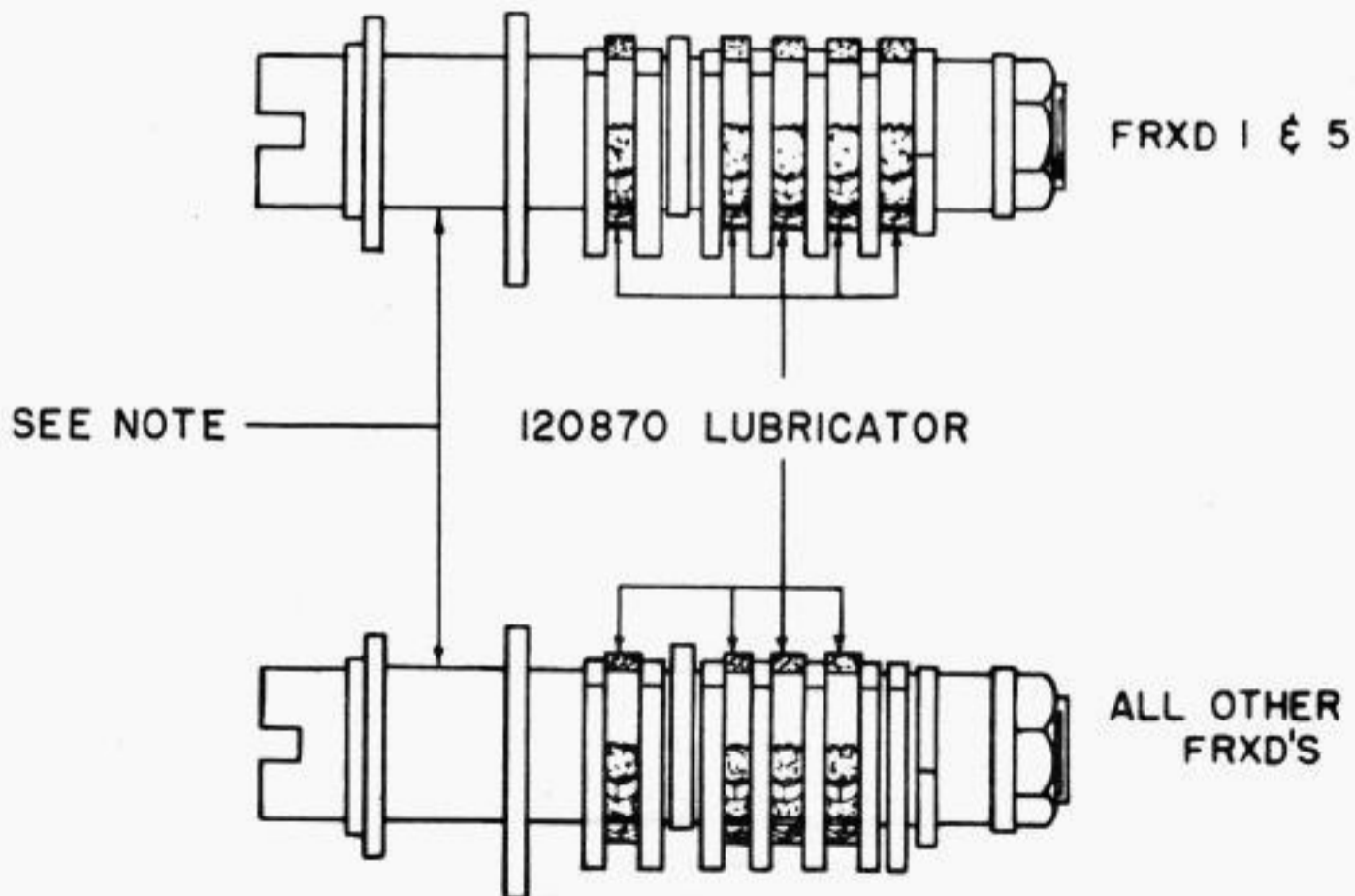


FIGURE 1

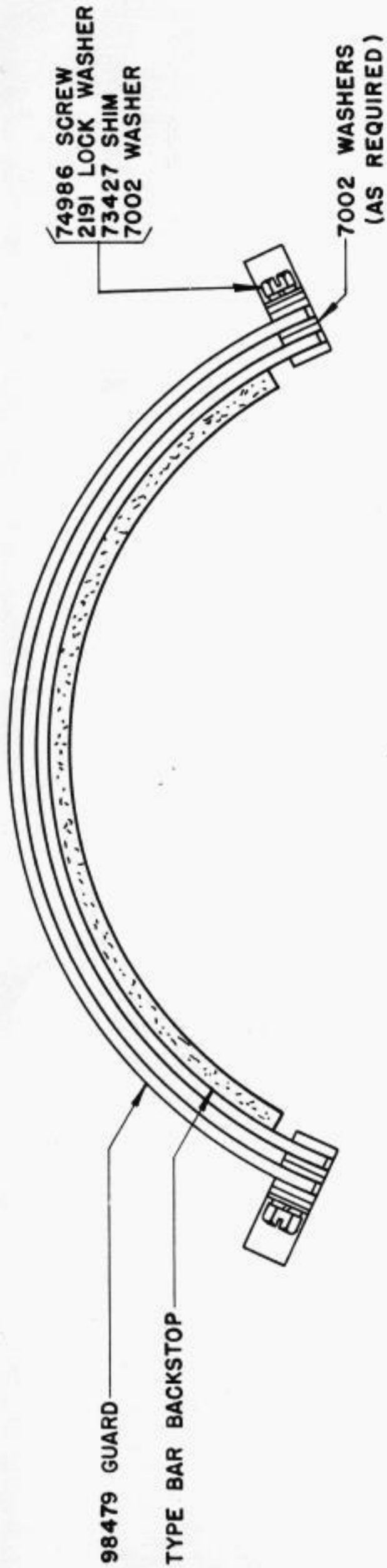


FIGURE 2

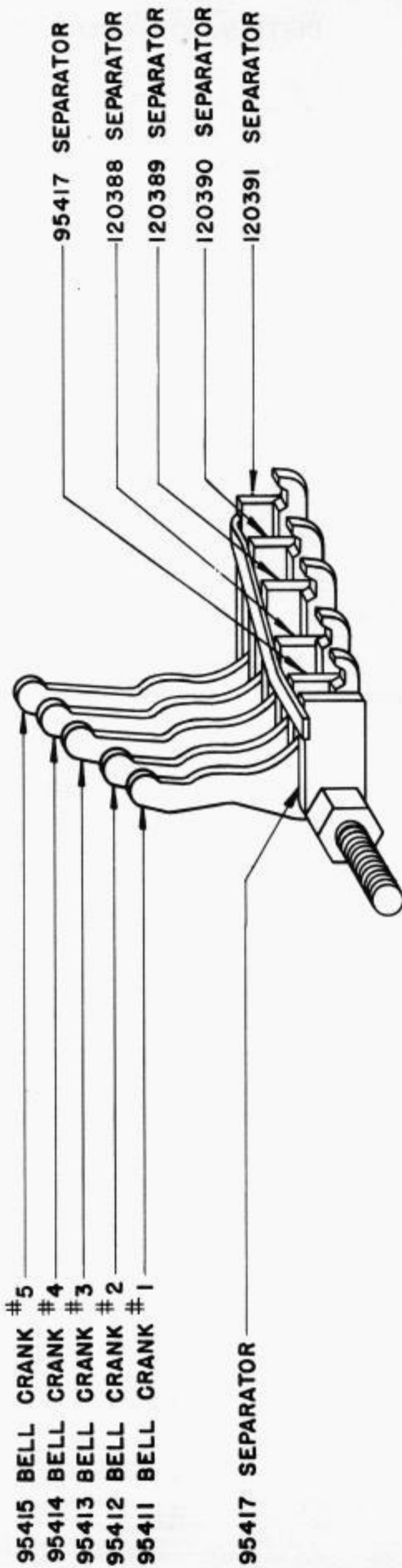


FIGURE 3

124134 TOOL, CONTACT BENDING

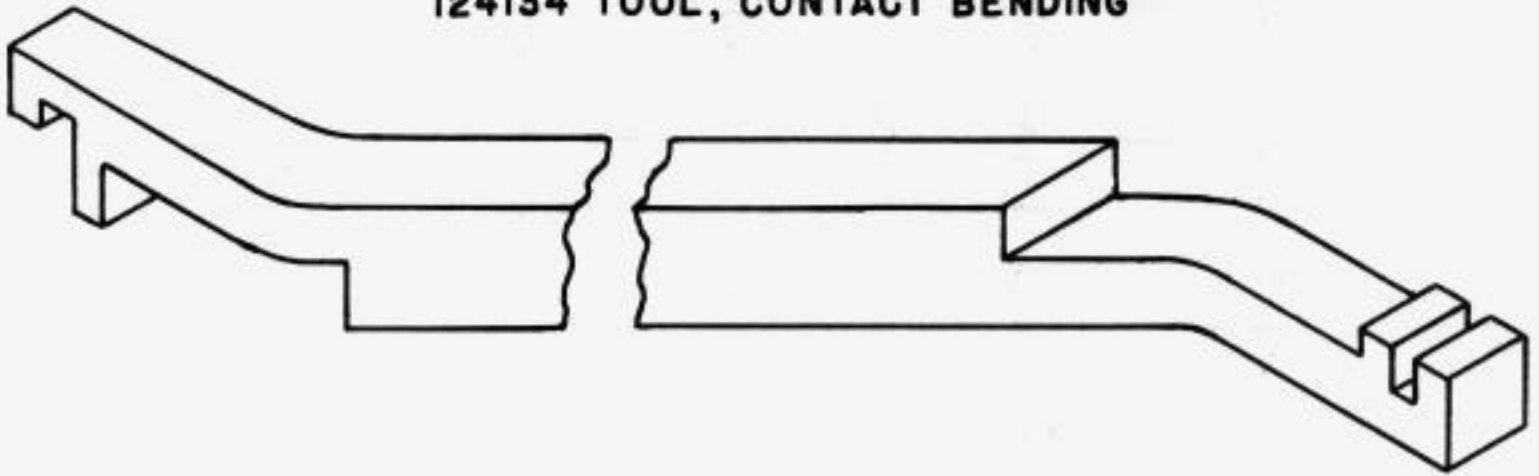


FIGURE 4

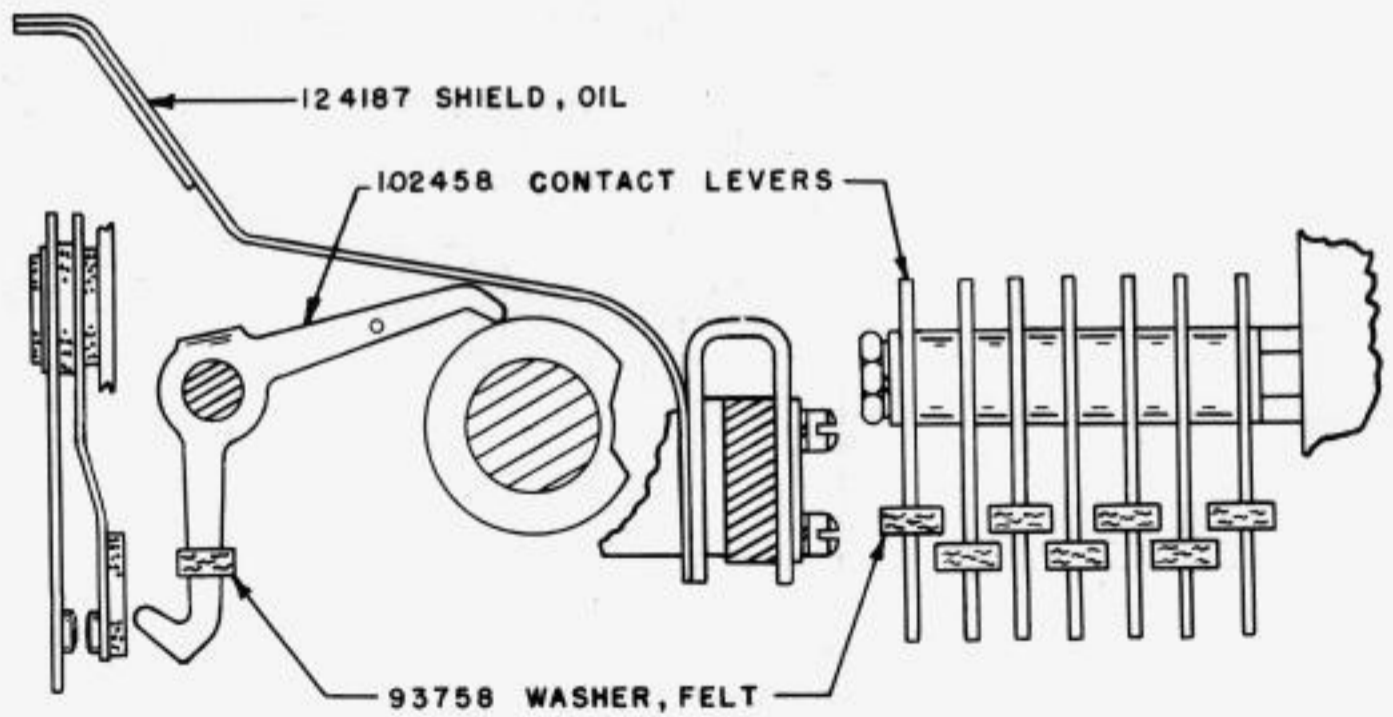


FIGURE 5

94665 SCREW, SHOULDER (2)

DISTRIBUTOR CAM SLEEVE

SENSING CAM SLEEVE

120870 LUBRICATORS

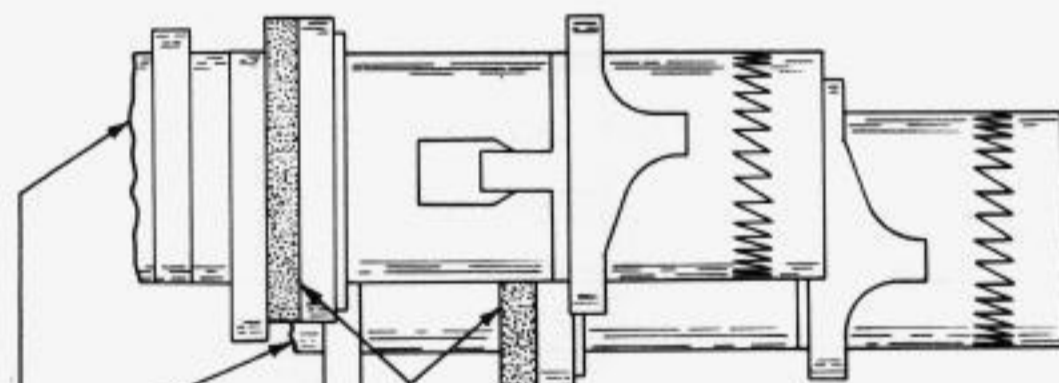
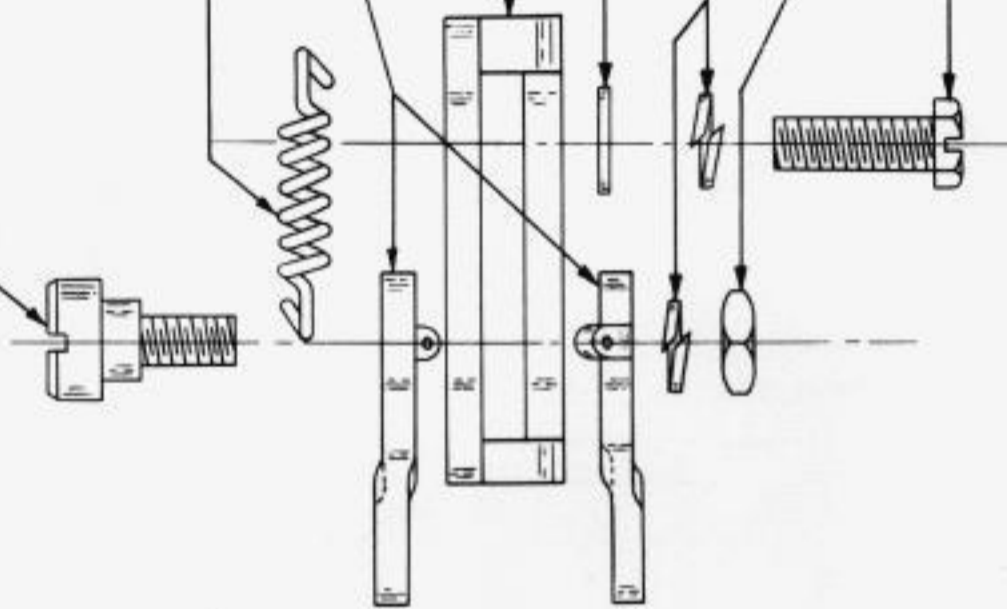


FIGURE 6

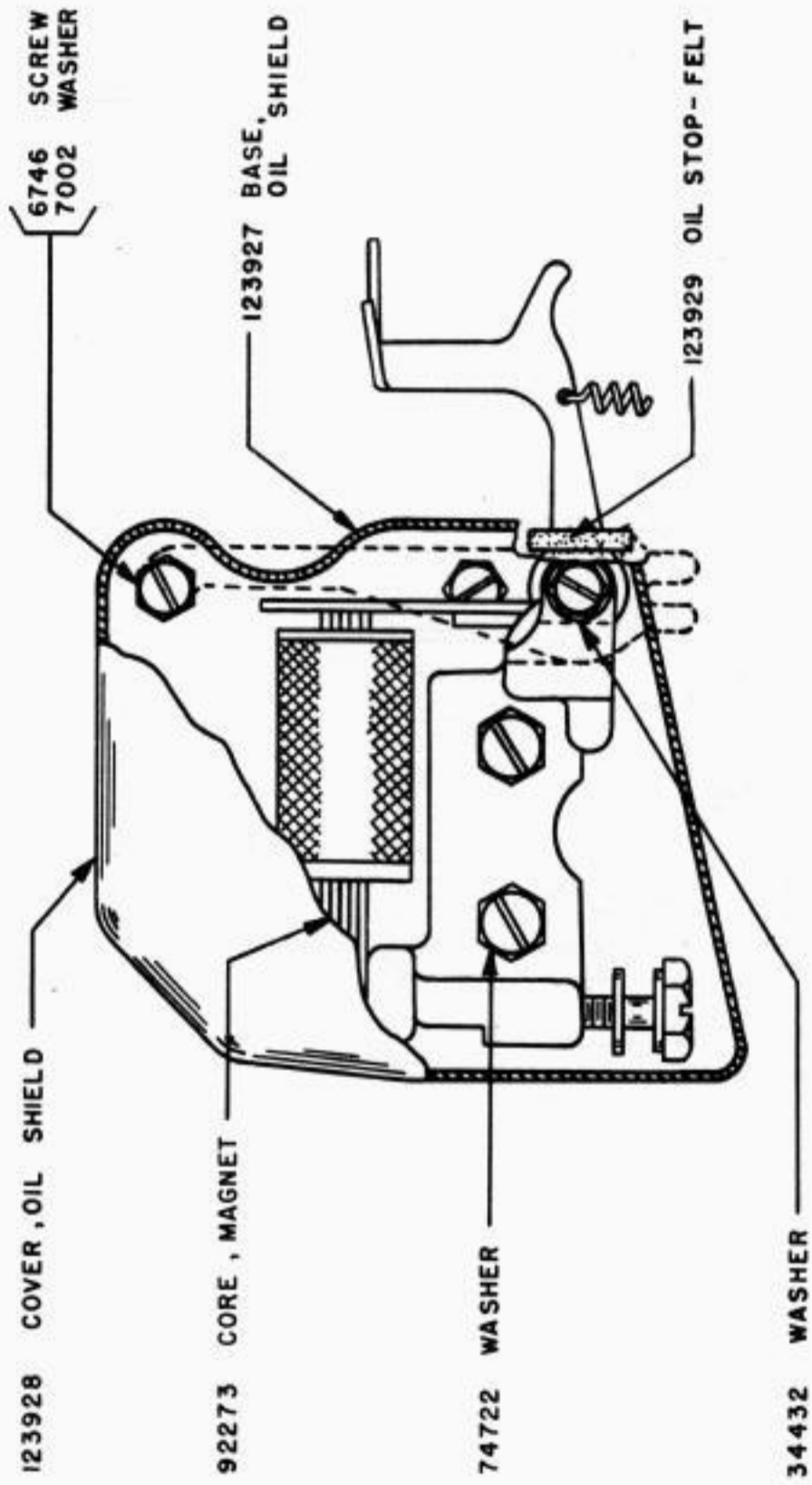


FIGURE 7

Teletype Corporation
Chicago, Illinois, U.S.A.

764EE
Issue 1
November, 1951

CHANGES AND ADDITIONS TO
BULLETINS 1108 (ISSUE 2) - PAGE 7 AND
1126 (ISSUE 1) - PAGE 2 MODEL 14 REPERFORATOR TRANSMITTERS

The 102381 platen support has been replaced by a 123199 platen support which differs in that it accommodates a 111603 polyvinyl alcohol platen. The 111603 platen replaces the 102380 platen (with 103538 insert).

New and old style parts are not individually interchangeable. However, these parts are interchangeable in pairs.

*

*

*

CHANGES AND ADDITIONS TO
PARTS (MODEL 14) BULLETINS

TYPE BAR TAPE
PRINTER (FP)

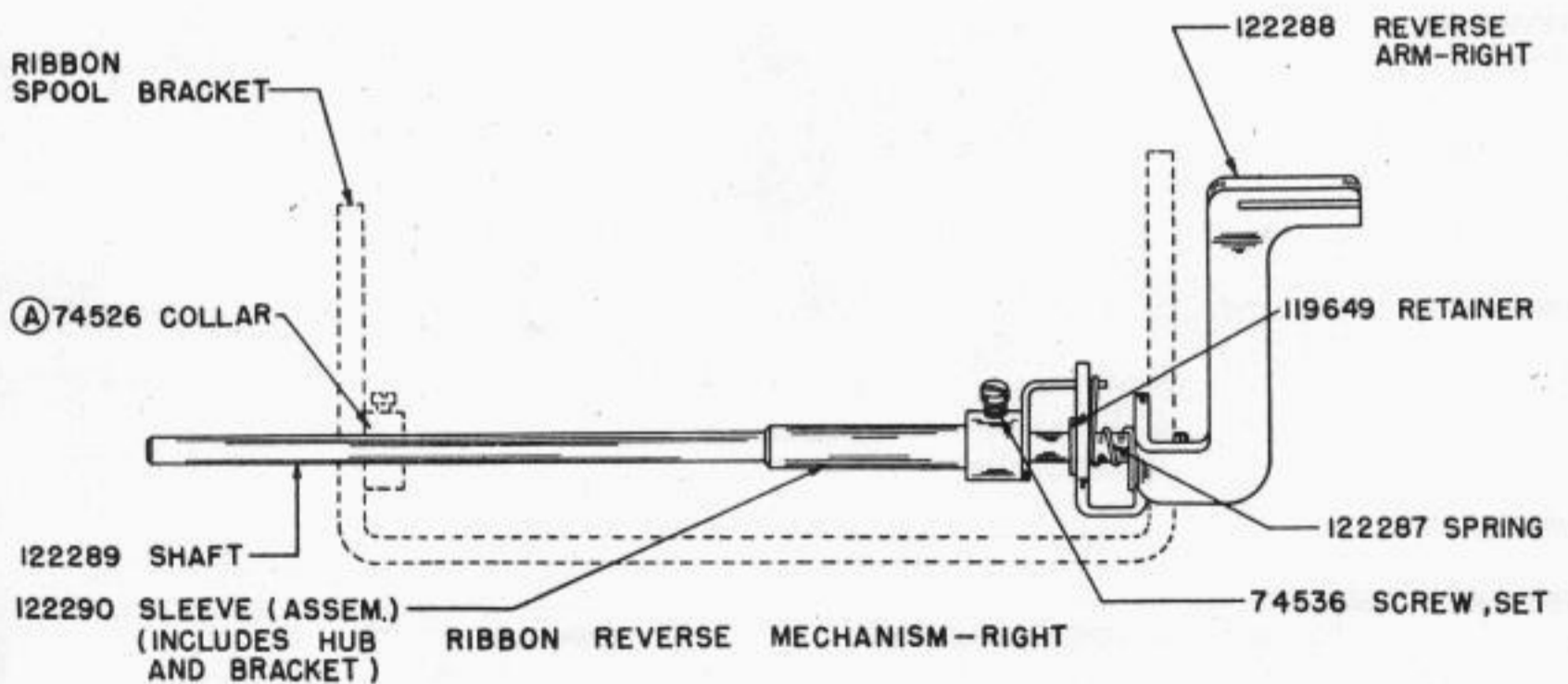
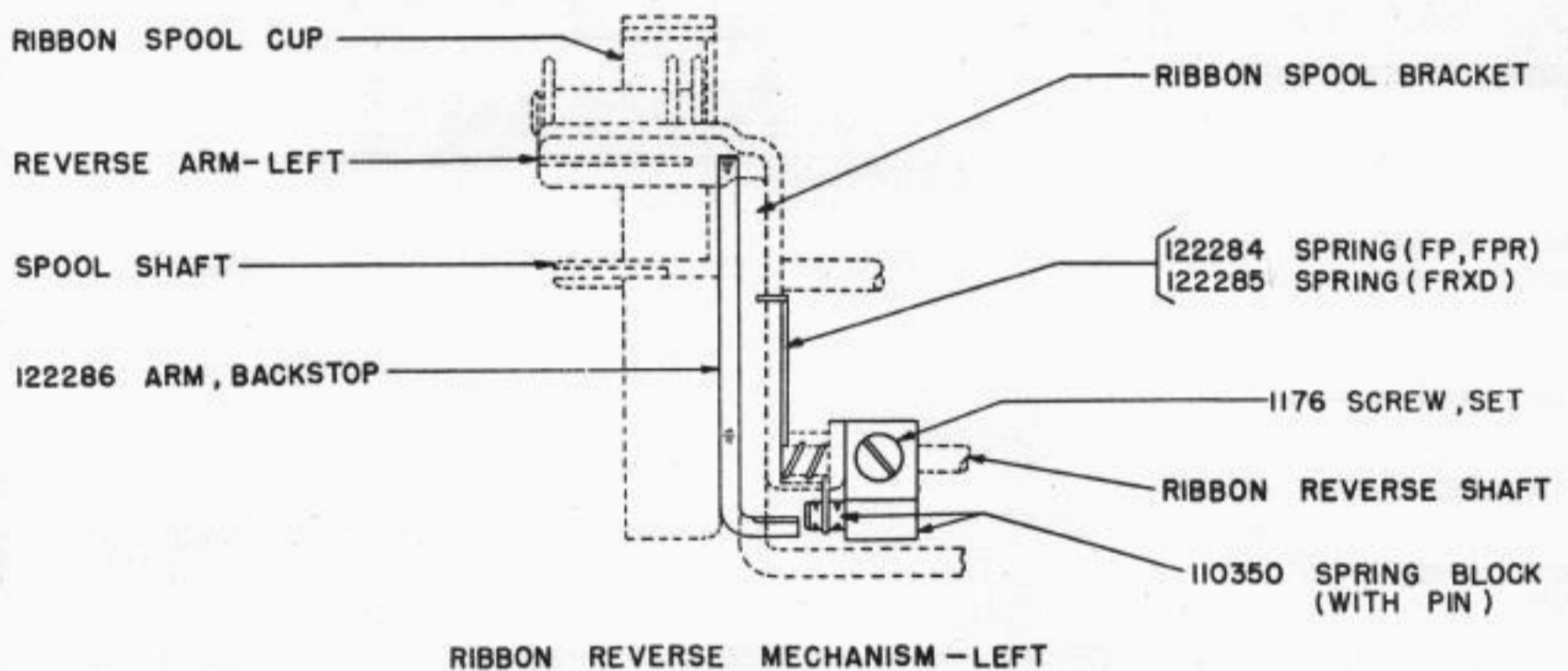
1028, ISSUE 2, PAGE 4
1030, ISSUE 2, PAGE 4
1031, ISSUE 3, PAGE 5

TYPING
REPERFORATOR (FPR)

1082, ISSUE 2, PAGE 16
1088, ISSUE 2, PAGE 8
1100, ISSUE 2, PAGE 7
1117, ISSUE 2, PAGE 9,10

REPERFORATOR
TRANSMITTER (FRXD)

1108, ISSUE 1, PAGE 9
1126, ISSUE 1, PAGE 8



113665 SET OF RIBBON REVERSE ARM YIELD SPRING AND
BACKSTOP PARTS (EXCLUDES PART MARKED (A))

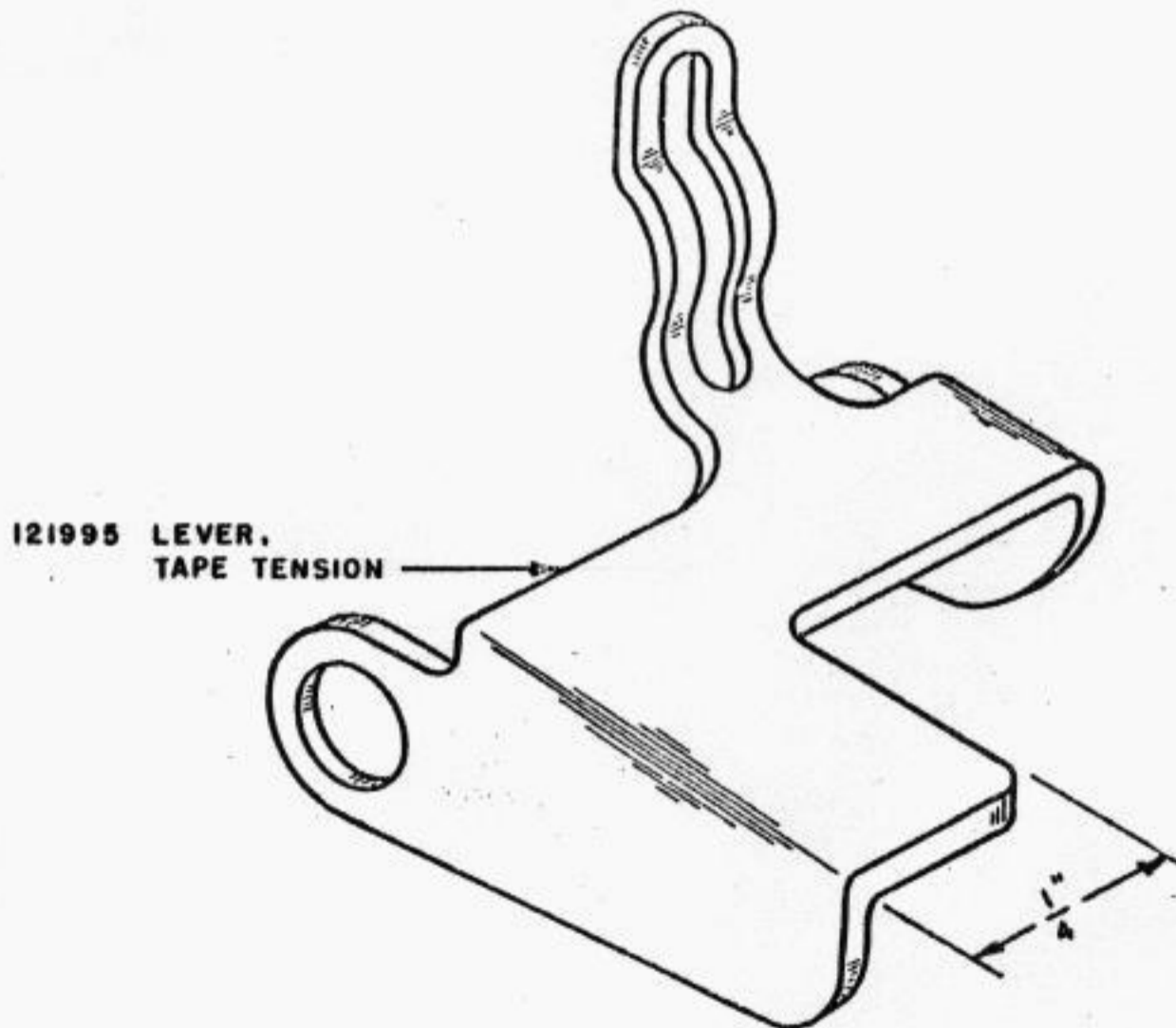
(A) THE 74526 COLLAR (5/16" O.D.) REPLACES THE 7039 COLLAR (3/8" O.D.) ON THE RIBBON
REVERSE SHAFTS ON ALL MODEL 14 UNITS.

CHANGE AND ADDITION TO BULLETINS

1012	Issue 2				
1038	Issue 2	1089	Issue 1	1117	Issue 2
1067	Issue 2	1090	Issue 2	1126	Issue 1
1080	Issue 1	1093	Issue 1	1130	Issue 1
1082	Issue 2	1100	Issue 2	1132	Issue 1
1088	Issue 2	1108	Issue 2		

The 73481 tape tension lever has been replaced by a 121995 tape tension lever of improved design, which is provided with a 1/4" wide flat surface to serve as a finger hold as indicated on the sketch below.

New and old style tape tension levers are interchangeable.



CHANGES AND ADDITIONS TO PARTS BULLETINS

1028B, Issue 2, Model 14 Type Bar Tape Printer
1030B, Issue 2, Model 14 Type Bar Tape Printer
1031B, Issue 3, Model 14 Type Bar Tape Printer
~~1082B, Issue 2, Model 14 Typing Reperforator~~
1088B, Issue 2, Model 14 Typing Reperforator
1100B, Issue 2, Model 14 Typing Reperforator
1108B, Issue 2, Model 14 Reperforator Transmitter
1117B, Issue 2, Model 14 Portable Sending Receiving
Typing Reperforator Transmitter
Distributor Set
1126B, Issue 1, Model 14 Reperforator Transmitter

To standardize parts used on various units, the 74526 collar (5/16" O.D.) replaces the 7039 collar (3/8" O.D.) on the ribbon reverse shafts.

Two 124512 hardened washers should be installed on the 3154 shaft, one on each side of the 6743 or 98877 operating arm.

*NOTE: The two 124512 washers can be added only when the dimension of the operating arm at the bearing surfaces has been reduced from .872" to .792".

*

*

*

CHANGES IN TELETYPE PARTS BULLETINS

1028B, Issue 2	1073B, Issue 1	1109B, Issue 1	1131B, Issue 1
1030B, Issue 2	1074B, Issue 2	1110B, Issue 2	1138B, Issue 1
1031B, Issue 3	1080B, Issue 1	1116B, Issue 1	1141B, Issue 1
1041B, Issue 4	1087B, Issue 2	1117B, Issue 2	1142B, Issue 1
1063B, Issue 2	1088B, Issue 2	1121B, Issue 1	1143B, Issue 3
1064B, Issue 2	1100B, Issue 2	1125B, Issue 1	1144B, Issue 1
1068B, Issue 1	1107B, Issue 1	1126B, Issue 1	1150B, Issue 1
1072B, Issue 2	1108B, Issue 2	1130B, Issue 1	1151B, Issue 1

This correction sheet has been revised to include only those bulletins pertinent to the subject matter.

To provide improved performance with respect to maintenance of friction clutches and the selector end of main shafts, the following graphite impregnated felt washers and wicks replace the standard felt washers and wicks as indicated below:

Old Style	Description	Graphite Impregnated
6861	Washer	122741
72883	Washer	122743
74085	Washer	122744
74800	Washer	122745
76084	Washer	*76084
77019	Washer	122747
105045	Wick	122752
113952	Washer	122748

*Retains Old Number.

The 91265 cam sleeve (holding magnet) has been replaced by a 122754 cam sleeve.

The 115232 cam sleeve for the sequential selector has been replaced by a 129674 cam sleeve.

NOTE: The new cam sleeves have a graphite loaded bushing.

New and old style parts are interchangeable.

* * *

CHANGES AND ADDITIONS TO MODEL 14 PARTS BULLETINS

<u>Type Bar Tape Printer (FP)</u>	<u>Typing Reperforator (FPR)</u>	<u>Reperforator Transmitter (FRXD)</u>	<u>Non-Typing Selector (FS)</u>
1028B, Issue 2	1088B, Issue 2	1108B, Issue 2	1083B, Issue 1
1030B, Issue 2	1100B, Issue 2	1126B, Issue 1	1107B, Issue 1
1031B, Issue 3	1117B, Issue 2		

The 6972 typebar backstop assembly has been replaced by a 124535 typebar backstop (with .125" sirvene strip). See Figure 1. The new backstop is applicable at all operating speeds.

A 120553 friction disk assembly has been added to the main shaft assembly and is installed in the hollow of the main shaft gear. One of the 6746 screws and 2191 lock washers fastening the gear to the hub has been replaced by an 8543 screw which allows the button of the friction disk to mount in the hole in which the 8543 screw is used. The 72884 disk has been replaced by a 111686 disk. See Figure 2.

Two 72563 felt washers have been added to all cam sleeve assemblies used with holding type selectors. The 122754 (formerly 91265) cam sleeve assembly illustrated in Figure 3 shows the washers installed between the stop arm and armature lever cam and also between the armature lever cam and the locking lever cam. These washers are not a part of the cam sleeve assemblies and must be ordered separately.

A terminal block is now provided in place of a switch for changing the selector magnet coil connections from series to parallel and vice verse.

On Model 14 Typing Units the 97298 series - parallel switch assembly has been replaced by a 113702 terminal block assembly (with 5000 ohm resistor).

On Model 14 Typing Reperforators the 97298 series - parallel switch assembly has been replaced by a 113702 terminal block assembly (with 5000 ohm resistor) and the 106801 series - parallel switch assembly has been replaced by a 123913 terminal block assembly (with 5000 ohm and 1000 ohm resistors).

On Model 14 Reperforator Transmitters the 97298 series - parallel switch assembly has been replaced by a 123913 terminal block assembly (with 5000 ohm and 1000 ohm resistors).

On Model 14 Non-Typing Selectors the 101825 series - parallel switch assembly has been replaced by a 113702 terminal block assembly (with 5000 ohm resistor).

To standardize on a single type of selector post for all selector units the 8470 post, (.869" long) has been replaced by a 78164 post (.937" long).

For location of the following parts see 513EE, issued in conjunction with Bulletin 1031B.

To provide increased screw thread engagement the 125110 (33-9) screws used to mount the 91085 tape tension lever have been replaced by 125109 screws.

The 125119 (33-278) screw used to mount the 91083 latch has been replaced by a 103699 screw.

New and old style parts are interchangeable.

The following information applies only to the bulletins listed below:

Bulletin 1126B, Page 1

The 110381 cover plate has been replaced by a 117755 cover plate.

Bulletin 1108B, Page 1

Bulletin 1126B, Page 1

The 74026 spacer used with the 112626 (34-4) nut and 2669 lock washer has been replaced by an additional 112626 nut.

The 6746 screw and 2191 lock washer securing the 117755 cover plate have been replaced by a 76667 post.

Add 34432 washer and 112626 nut to the 78301 screw securing the gear guard.
Add 34432 washer to the 6810 screw securing the gear guard.

Bulletin 1108B, Page 7

Bulletin 1126B, Page 17

The 6799 screw which mounts the 102415 shift latch has been replaced by a 124223 screw having a shorter thread length.

Bulletin 1108B, Page 19

Bulletin 1126B, Page 18

The 102221 stripper springs have been replaced by 124661 stripper springs. Tension when measured shall be a minimum of 4 ozs.

New and old style parts are interchangeable.

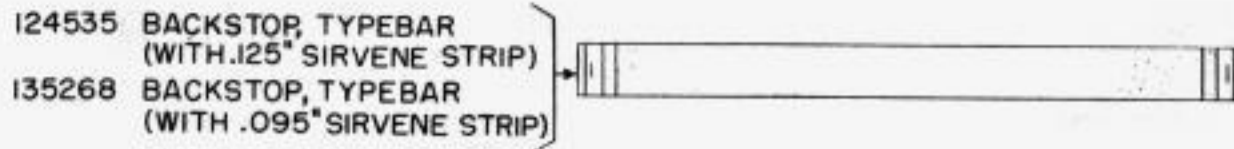


FIGURE 1

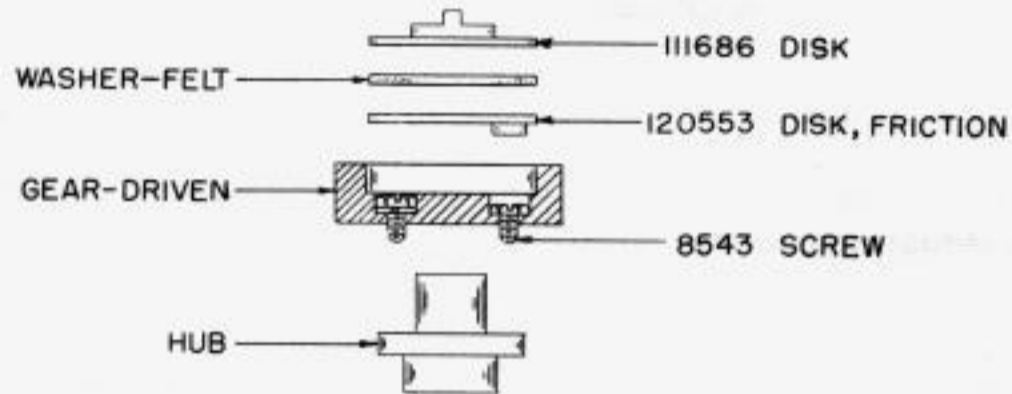


FIGURE 2

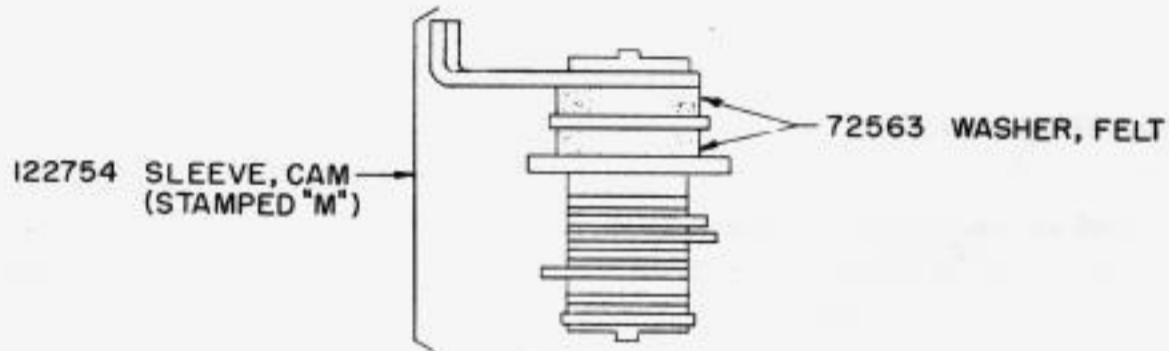
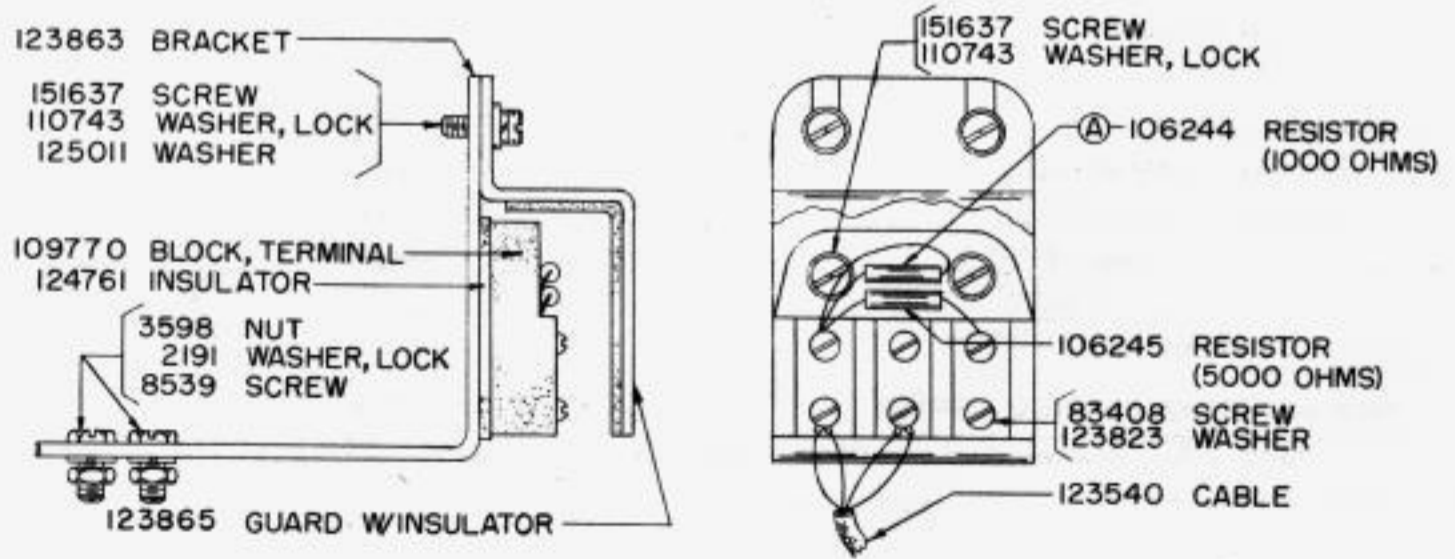


FIGURE 3



113702 BLOCK ASSEMBLY, TERMINAL (SERIES-PARALLEL)
(EXCLUDES PART MARKED Ⓐ)

123913 BLOCK ASSEMBLY, TERMINAL (SERIES-PARALLEL)
(INCLUDES PART MARKED Ⓐ)

FIGURE 4

CHANGES AND ADDITIONS
TO BULLETIN NO. 1126B, ISSUE 1
PARTS - REPERFORATOR TRANSMITTER (MODEL 14)
(FRXD)

PAGE 1

The 6746 Screws (6-40 x 5/16") used for mounting the 110749 bracket have been replaced by 74986 screws (6 - 40 x 13/32").

The 1168 screw (4 - 40 x 5/16") used to secure the 3298 eccentric has been replaced by a 1169 screw (6 - 40 x 7/16").

A 113242 Cable Clamp, 6746 screw and a 2191 Lock Washer have been added to the under side of the base near the center.

PAGE 2

* The 105136 Sensing Cam Sleeve Assembly has been replaced by a 129979 Sensing Cam Sleeve Assembly.

* The 110701 Distributor Cam Sleeve Assembly has been replaced by a 129977 Distributor Cam Sleeve Assembly.

* The 102125 Driven Clutch has been replaced by a 129981 Driven Clutch.

* The 102119 Driving Clutch has been replaced by the 129980 Driving Clutch.

PAGE 3

The 74965 Bushings (approximately 7/16" long) have been replaced by the 76790 Bushings (approximately 5/16" long).

PAGE 4

The 100421 Bushings (approximately 7/32" long) have been replaced by the 77039 Bushings (approximately 9/32" long).

* In the 110460 Clutch Magnet Bracket Assembly, the 49420 spring and 1162 screws have been replaced by a 55669 spring and 74613 screws, and a 125011 flat washer have been added. The 102167 spring plate has been replaced by the 129983 Contact Assembly which includes the mounting bracket. For Component Parts see Figure 1.

PAGE 5

The 96258BK Wire in the 99745 line and selector Jack Assembly has been replaced by 96267BK Wire.

PAGE 6

The 6807 screw used to secure the 7068 Bevel Gear has been replaced by a 73894 set screw.

* Applies to FRXD 16 only

PAGE 6 & 7

The 2669 Lock Washers used with the 74008 Roller have been replaced by 45815 Lock Washers.

The 78244 Oil Cup has been replaced by a 104124 screw.

The 75226 Felt Wicks have been replaced by 122547 Felt Wicks.

PAGE 8

On the right ribbon feed mechanism the 7038 shaft-lower has been replaced by a 122289 shaft. A shim has been added between the 7042 bevel gear and the 102378 bracket. The 7039 Collar and 73894 screw has been replaced by a 74526 Collar and 74536 screw. The 73894 screw in the 7036 Collar has been replaced by a 74536 screw. The 6807 screw securing the 7042 bevel gear has been replaced by a 74536 screw. The 95467 Reverse Arm has been replaced by a 122288 Reverse Arm.

The 1162 screw used in the 101915 Ribbon Guide bracket has been replaced by a 104828 screw.

The 73894 screws used to secure the 74385 gear and the 101910 Idler Gear have been replaced by the 74536 screws.

A 8330 washer has been added between the 6811 screw and the 2191 Lock Washer that secure the 70871 right and 102815 left spring brackets.

PAGE 10

Add to Pinion and gear chart starting from left to right. Receiving 368, sending 390, (A) 78510 Gear 7T, (B) 78509 Gear 30T, (C) 129461 Gear 42T, (D) 129462 Gear 37T, (E) 102012 Gear 18T, (F) 102013 Gear 22T, 82283 Motor and 135005 set of motor and gear parts.

PAGE 11

Two 124512 Washers have been added on both sides of the 6743 Operating Arm.

The 2840 Spring Post should read 2480.

PAGE 12

The 74722 Washers has been replaced by 124973 Washers.

The 80444 screw used to secure the 97292 link has been replaced by a 6746 screw.

In left hand column, the 2669 Lock Washer has been replaced by a 3639 Lock Washer.

Add 124973 Washers at the mounting holes of the 110848 guard.

Delete one 6689 Separator Plate and add one 83920 Separator Plate in top position.

PAGE 14

The 76379 Spring has been replaced by a 2760 Spring.

PAGE 15

Delete (4) 95417 Separators and add (1) each of following Separators 120388, 120389, 120390 and 120391.

PAGE 17

The 1160 Stop Screw for the Platen Unit Assembly has been replaced by a 1026 Stop Screw.

PAGE 19

The 102450 Selector Levers have been replaced by 135001 Selector Levers.

PAGE 20

In the upper illustration, the 34-11 (112627) nut should read 110435 nut.

The 102190 Shaft has been replaced by a 115574 Shaft with a 3598 nut.

The 102180 Screw has been replaced by a 115573 Shaft.

The 102393 Eccentric has been replaced by a 115577 Eccentric.

The 7614 Spring has been replaced by a 41385 Spring.

The 102193 Bracket-Rear and 102192 Bracket-Front have been replaced by a 115515 Selector Bracket Assembly.

The 102185 and 102183 Spacer-End have been replaced by a 115576 Spacers and a 90581 Spacer-Long respectively.

PAGE 21

The 110991 Tape Platform has been replaced by the 117756 Tape Platform.

PAGE 22

The 98722 screws which secure the Tape-Out contact Pile-Up have been replaced by 98832 screws.

A 7037 Washer has been added between a 110787 screw a 79060 Spacer.

PAGE 23

The 1020 screws used to secure the 110468 Auxillary Relay Assembly have been replaced by 80444 screws.

The 1020 screws for securing the tape reel bracket have been replaced by 80444 screws.

The 7002 Washer used in the 110774 Tape Guide-Upper has been replaced by a 8330 Washer.

PAGE 24

In the Upper Assembly, omit the 3/4-4 (112626) Nut and show a 78301 screw inserted in opposite direction.

The 6746 screw in the 110737 Distributor Operating Contacts Filter Assembly has been replaced by 1176 screw.

* Due to changes in the length of wires and shielding. The 110737 Distributor Operating Contacts Filter Assembly becomes a 129982 Filter Assembly. Parts remain unchanged.

* A 117740 Electrical Noise Suppressor is associated electrically with the Distributor Control Contact and is retained by the 1176 screw that secures the 99963 clamp.

In the 110471 Distributor Contacts Filter Assembly, 7002 Washers have been added to the 6746 screws that secures the 111468 bracket.

PAGE 25

* The 110858 Cable-Base has been replaced by a 135006 Cable-Base. Parts remain unchanged.

PAGE 26

* The 111069 Set of Type Bar Pallets (arrangement "239") has been replaced by the 114884 Set of Type Bar Pallets (arrangement "253"). They are as follows:

98912	Type Pallet	A -
98927	" "	B /
98911	" "	C :
98943	" "	D \$
98930	" "	E 3
98926	" "	F 1
98919	" "	G &
98920	" "	H £
98917	" "	I 8
98902	" "	J v
98944	" "	K (
98945	" "	L)

	Type	Pallet	M .
98904	"	"	N ,
98909	"	"	O 9
98933	"	"	P Ø
104845	"	"	Q 1
98915	"	"	R 4
98928	"	"	S
98923	"	"	T 5
98931	"	"	U 7
98932	"	"	V ;
98910	"	"	W 2
98916	"	"	X /
98941	"	"	Y 6
98929	"	"	Z "
98903	"	"	∩ ∩
101579	"	"	< <
10582	"	"	≡ ≡
10583	"	"	

PAGE 27

Under the lower left motor mounting screw add a 78430 Cable Clamp.

PAGE 28

The 70832 Rail has been replaced by a 71438 Rail.

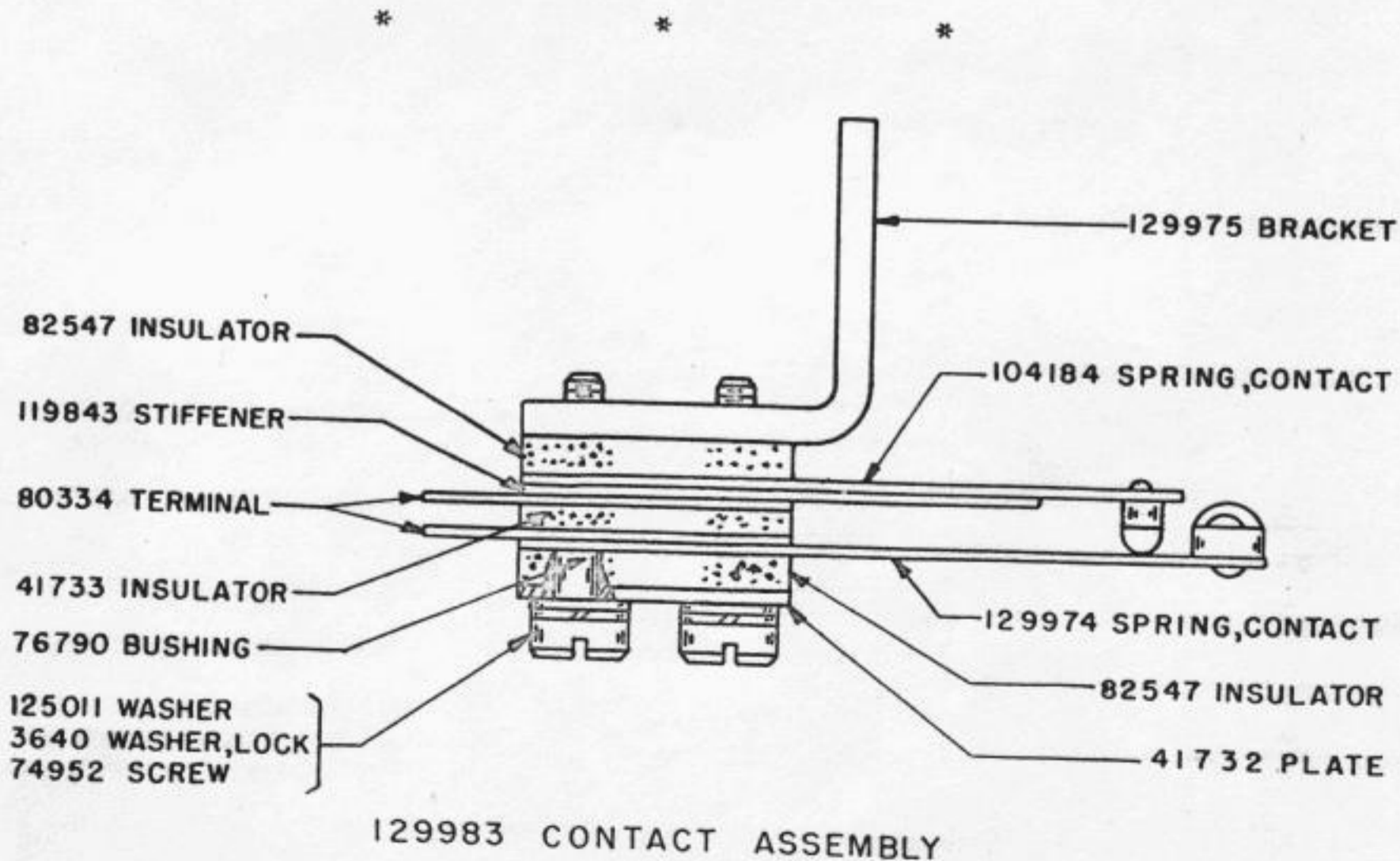


FIGURE 1

CHANGES AND ADDITIONS TO
BULLETIN 1108B, ISSUE 2
BULLETIN 1126B, ISSUE 2
PARTS - MODEL 14 REPERFORATOR TRANSMITTER

Bulletin 1108B, Page 4
Bulletin 1126B, Page 3

To prevent stripping the threads of the 110379 adjusting bar, the 1160 screw (5/16" long) has been replaced by a 1026 screw (3/8" long).

Bulletin 1126B, Page 7

To provide support under the lock washers when securing the slotted 110695 chad chute, 7002 washers have been added to the mounting parts.

Bulletin 1108B, Page 10
Bulletin 1126B, Page 9

The 89905 type bar segment (part of the 91899 type bar segment with posts) retains its original number but has been redesigned with a square fulcrum rod slot instead of a radial slot. The radius of the segment shoulder, against which the spring plates rest, has been decreased to obtain closer adjustment for the pull bar - type bar engagement.

The 7037 spacerwashers have been replaced by 124148 spacerwashers. New style spacer washers can only be used with new style arrangement.

Type bars have been modified with a contour change at the pallet end. This change affects only the appearance of the type bar, and since old and new style type bars are interchangeable and can be readily identified, old part numbers have been retained.

A modified type bar backstop with a .095" thick sirvene strip has been assigned No. 135268 and is for use only with all new style type bars (contour changed at pallet end). The 124535 type bar backstop with a .125" thick sirvene strip (illustrated in 833EE) will still be used with all old style or mixed old and new style type bars since the modified backstop would cause interference between the tails of the old style type bars and adjacent pull bars.

Bulletin 1108B, Page 11
Bulletin 1126B, Page 10

The 6825 spring bracket retains its original number but has been redesigned to correspond with the new style type bar segment.

The two 6826 spring brackets have been replaced by one 124146 bracket -left and one 124147 bracket-right.

The 6746 hex head screws and 7002 washers used to secure the 6825, 124146 and 124147 spring brackets have been replaced by 151658 button-head screws and 8330 washers to allow greater adjustment.

Bulletin 1126B, Page 16

*The 95493 roller and 95459 stud have been replaced by one 135696 outer race, nine 135697 rollers, two 93001 washers and one 135013 stud.

Bulletin 1108B, Page 20
Bulletin 1126B, Page 19

The 102450 selector levers have been replaced by 135011 selector levers.

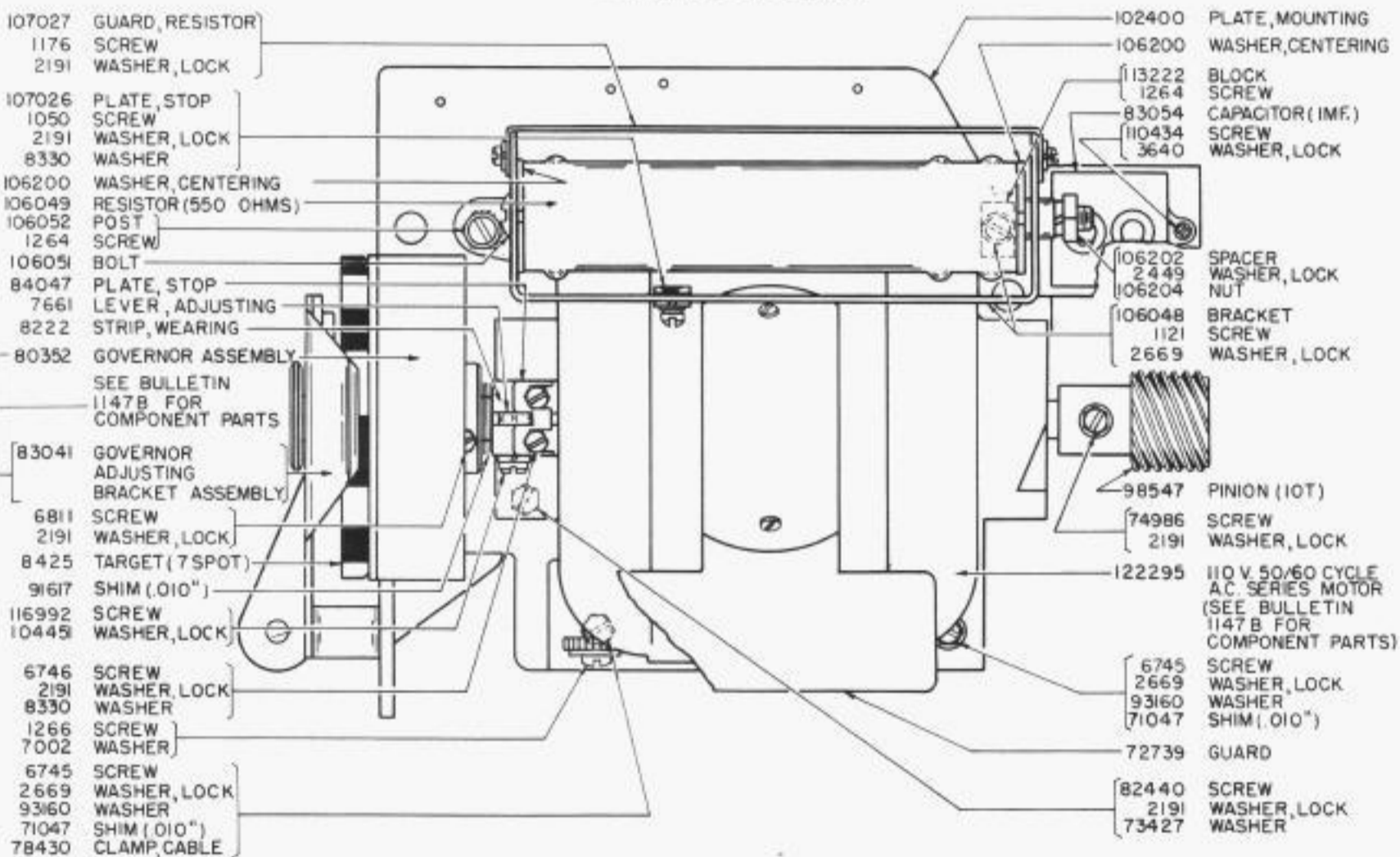
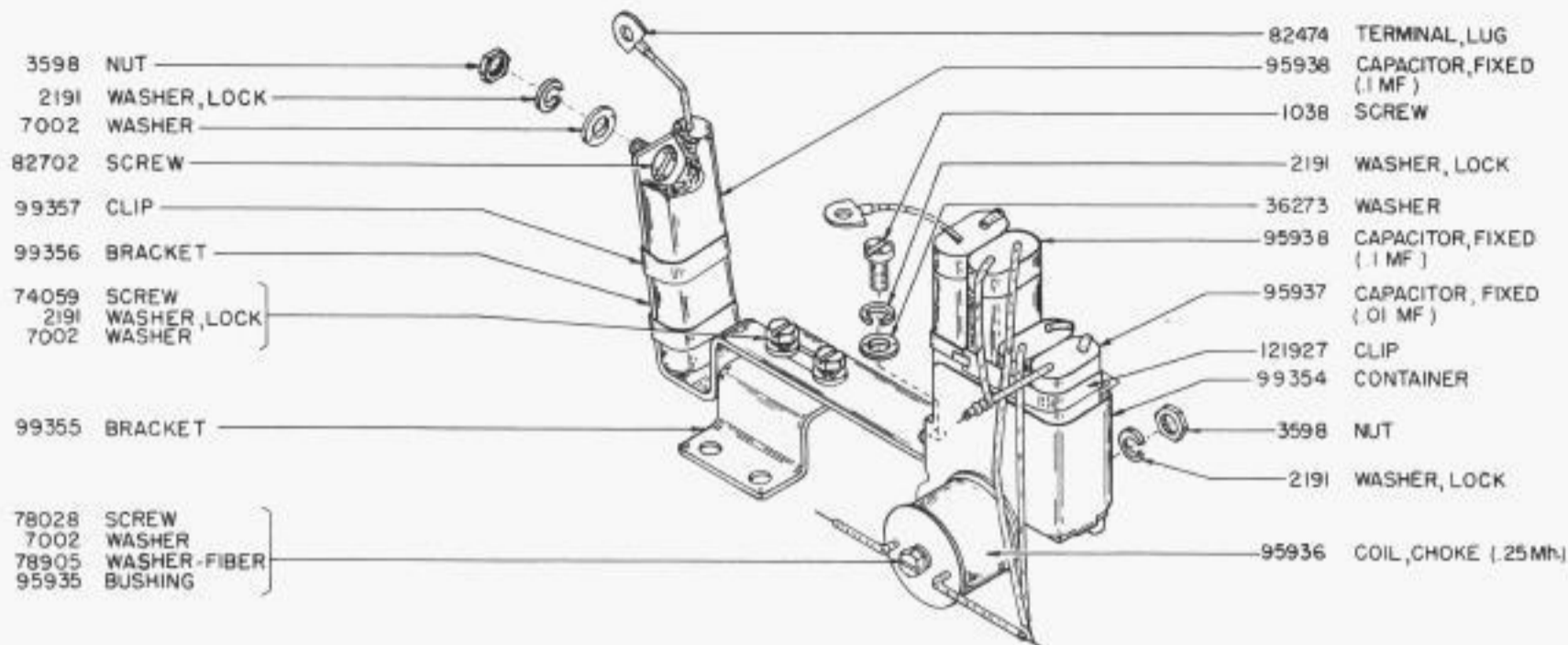
Bulletin 1108B, Page 26
Bulletin 1126B, Page 27

The 135687 governed motor arrangement with gears for receiving at 404 opm and sending at 368 opm is illustrated in Figure 1 of this correction sheet.

See Figure 2 for the revised illustration of the 113693 set of parts to provide an oil shield for the holding magnet selector.

New and old style parts are interchangeable, except as noted.

* * *



NOTE:
FOR LOCATION OF GEARS
(A) THROUGH (F), SEE
BULLETIN 1108B, PAGE 28,
OR BULLETIN 1126B, PAGE 10

SPEED (O.P.M.)		MOTOR	MOTOR PINION	GEARS					
RECEIVING	SENDING			(A)	(B)	(C)	(D)	(E)	(F)
404	368	122295	98547(10T)	101824(47T)	135685(34T)	135686(35T)	102012(18T)	102013(22T)	

135687 A.C. GOVERNED MOTOR ARRANGEMENT
(WITH GEARS FOR 404 OPM. RECEIVING AND 368 OPM. SENDING)

FIGURE 1

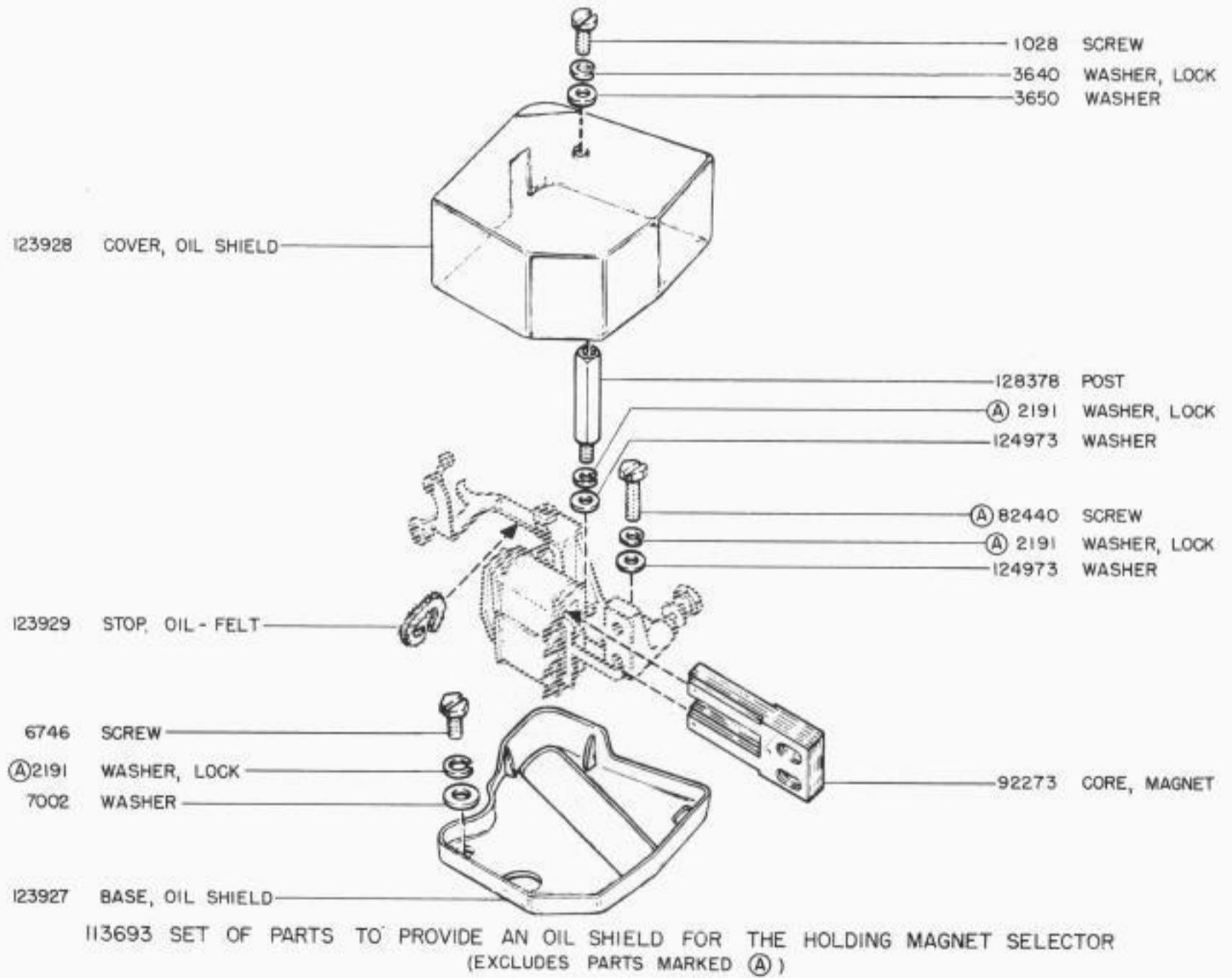


FIGURE 2

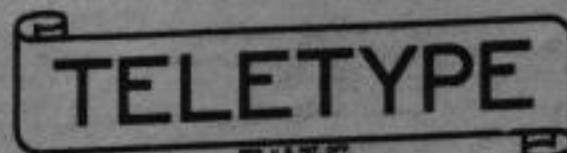
BULLETIN NO. 1126
ISSUE 1
MARCH, 1945

TELETYPE

PRINTING TELEGRAPH SYSTEMS

BULLETIN NO. 1126

PARTS
REPERFORATOR TRANSMITTER
DISTRIBUTOR



INCORPORATED
CORPORATION

SUBSIDIARY OF

Western Electric Company

CHICAGO, U.S.A.

BULLETIN NO. 1126
ISSUE 1
MARCH, 1945

TELETYPE

PRINTING TELEGRAPH SYSTEMS

PARTS

REPERFORATOR TRANSMITTER DISTRIBUTOR
NONTYPING - FULLY PERFORATED TAPE
FRXD3

REPERFORATOR TRANSMITTER DISTRIBUTOR
TYPING - CHADLESS TAPE
FRXD4

TYPE PALLET ARRANGEMENT
239

MOTOR ARRANGEMENTS
EL AND EP

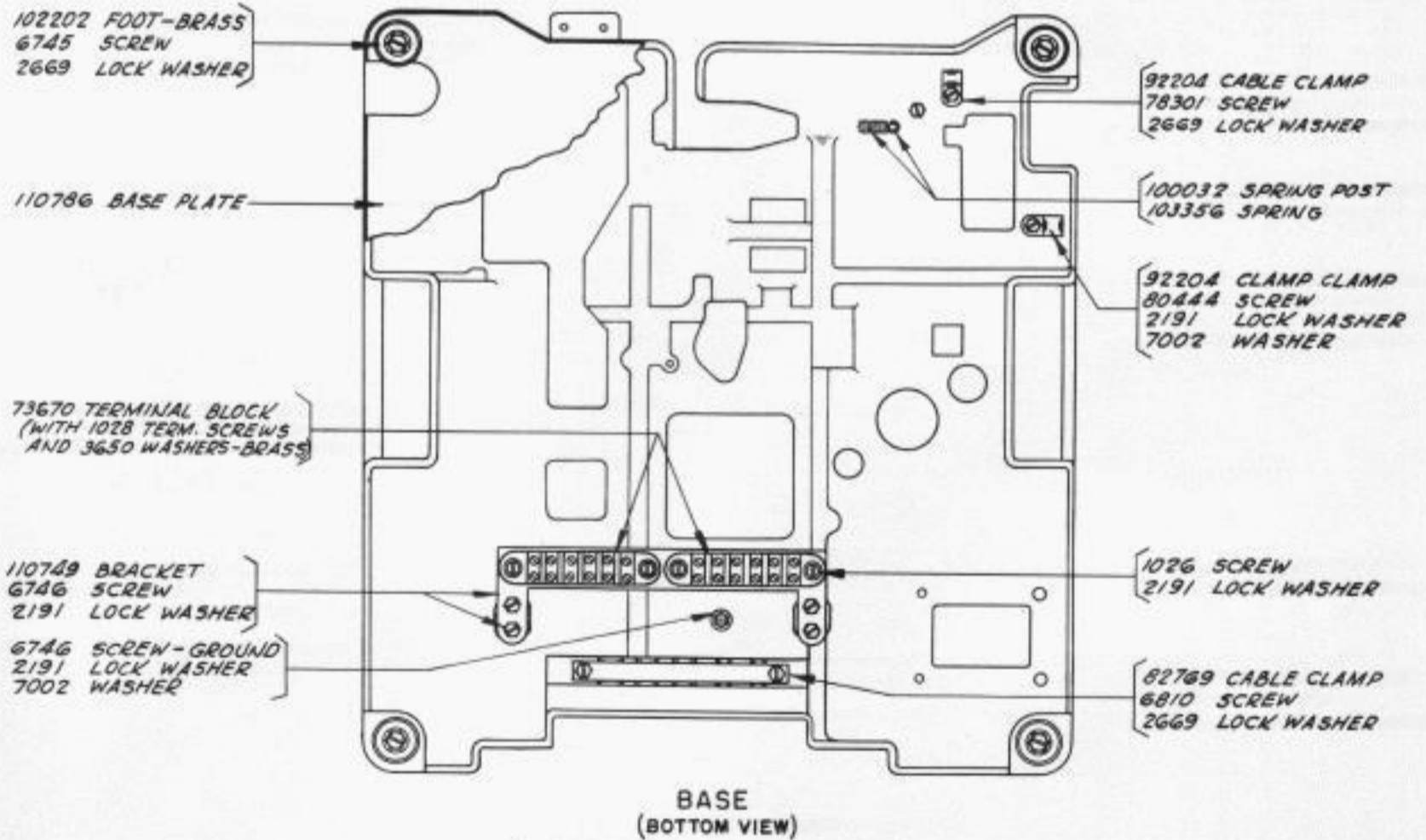
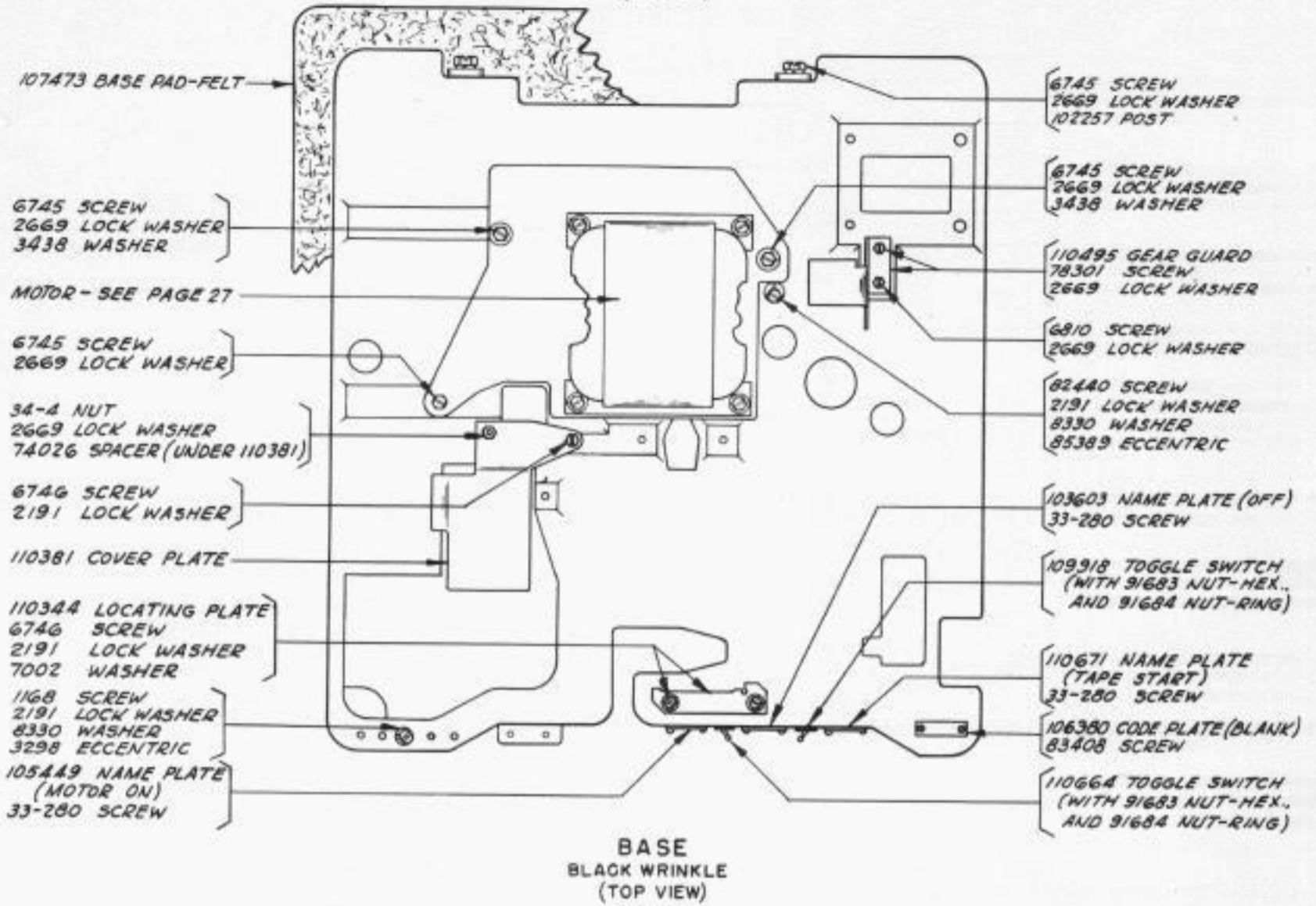
COVER ASSEMBLY
C174

ELECTRICAL SERVICE ASSEMBLY
107470

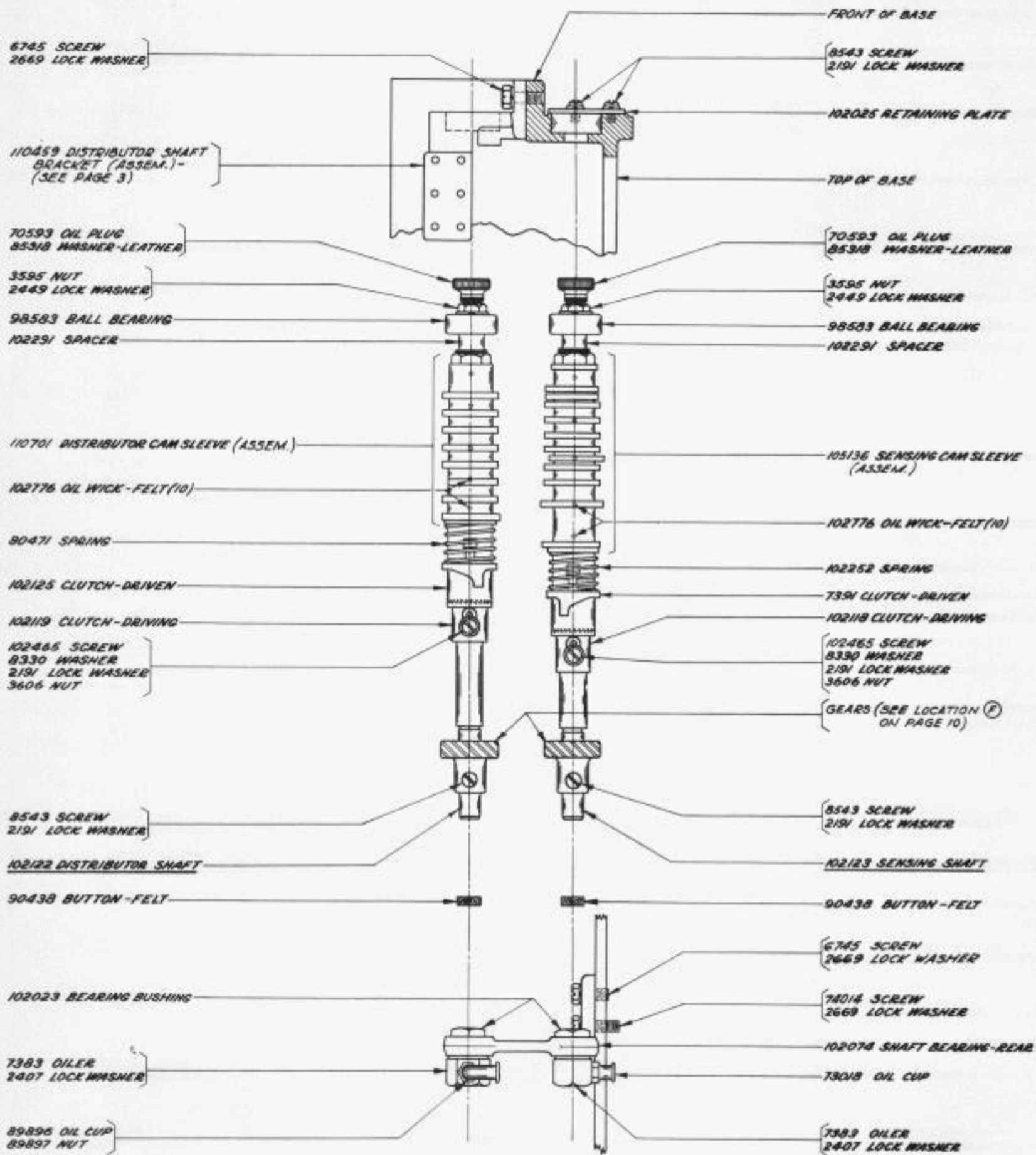


ALPHABETICAL INDEX

DESCRIPTION	PAGE NO.	DESCRIPTION	PAGE NO.
Baffle Plate - - - - -	21	Pivoted Transmitter - - - - -	19
Bail and Code Bar Mounting Bracket (For PRXD3) -	7	Platen- - - - -	17
Bail and Code Bar Mounting Bracket (For PRXD4) -	6	Platen Shift Bail - - - - -	17
Base - - - - -	1	Platen Unit - - - - -	17
Base Pad - - - - -	1	Plugs - - - - -	25
Base Plate - - - - -	1	Pull Bars - - - - -	26
Cables - - - - -	25,29	Prepunch Unit - - - - -	14
Cable Clamps - - - - -	1	Punch Arm - - - - -	16
Cam Sleeve, Distributor and Sensing- - - - -	2	Punch Arm Link- - - - -	16
Cam Sleeve, Selector - - - - -	11	Punch Block - - - - -	18
Chad Chute - - - - -	7	Renge Scale - - - - -	13
Clutch Detent Lever Bracket- - - - -	4	Relay - - - - -	23
Clutch Magnet Bracket- - - - -	4	Resistors - - - - -	5,23,24
Code Bars- - - - -	9	Ribbon Feed Mechanism - - - - -	8
Code Punch Block - - - - -	18	Ribbon Reverse- - - - -	6,8
Code Punch Unit- - - - -	15,16	Selector Unit - - - - -	12
Condensers - - - - -	5,24	Sensing Contacts Bracket- - - - -	21
Cords- - - - -	25	Sets of Motor and Gear Parts- - - - -	27
Cover- - - - -	28	Shaft, Main - - - - -	11
Connecting Block - - - - -	5	Shaft, Distributor - - - - -	2
Distributor Contacts Filter- - - - -	24	Shaft, Sensing - - - - -	2
Distributor Operating Contacts Filter- - - - -	24	Subshaft- - - - -	3
Distributor Shaft Bracket- - - - -	3	Switches- - - - -	1
Distributor Shaft Contacts - - - - -	3	Tape Chute- - - - -	7
Electrical Service Assembly- - - - -	29	Tape Depressing Bail- - - - -	15
Filters- - - - -	24	Tape Guides - - - - -	23
Foot - Base- - - - -	1	Tape-out Contacts - - - - -	4
Function Bars- - - - -	26	Tape-out Parts- - - - -	13
Gears- - - - -	10	Tape Platform - - - - -	21
Gear Guard - - - - -	1	Tape Reel - - - - -	22
Line and Selector Jack - - - - -	5	Tape Reel Bracket - - - - -	23
Line Cords - - - - -	25	Tape Release Bracket- - - - -	13
Line Relay Filter- - - - -	24	Terminal Blocks - - - - -	1,29
Magnets- - - - -	4,12	Toggle Switches - - - - -	1
Main Bail- - - - -	6,7	Transfer Slide and Contact Bail - - - - -	20
Main Shaft and Bracket - - - - -	11	Transmitter Stop Contacts - - - - -	4
Motor- - - - -	27	Transmitter Stop Contacts Filter- - - - -	24
Name Plates- - - - -	1,28	Type Bar - With and Without Pallets - - - - -	26
Numerical Index- - - - -	30	Type Bar Pallets- - - - -	26
Pinions- - - - -	10	Type Bar Segment- - - - -	9,10

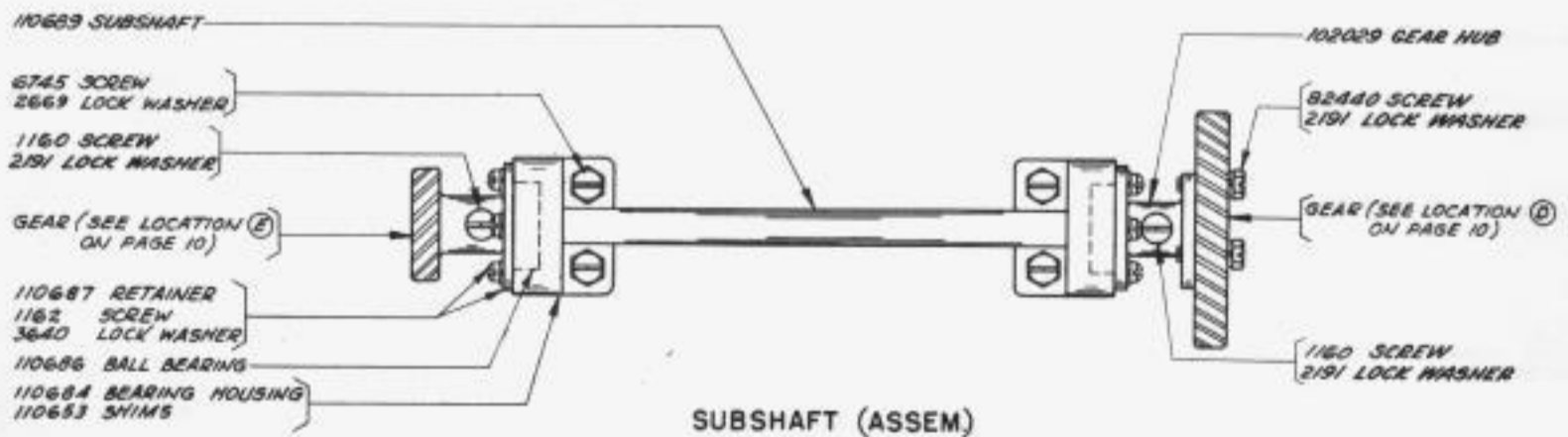
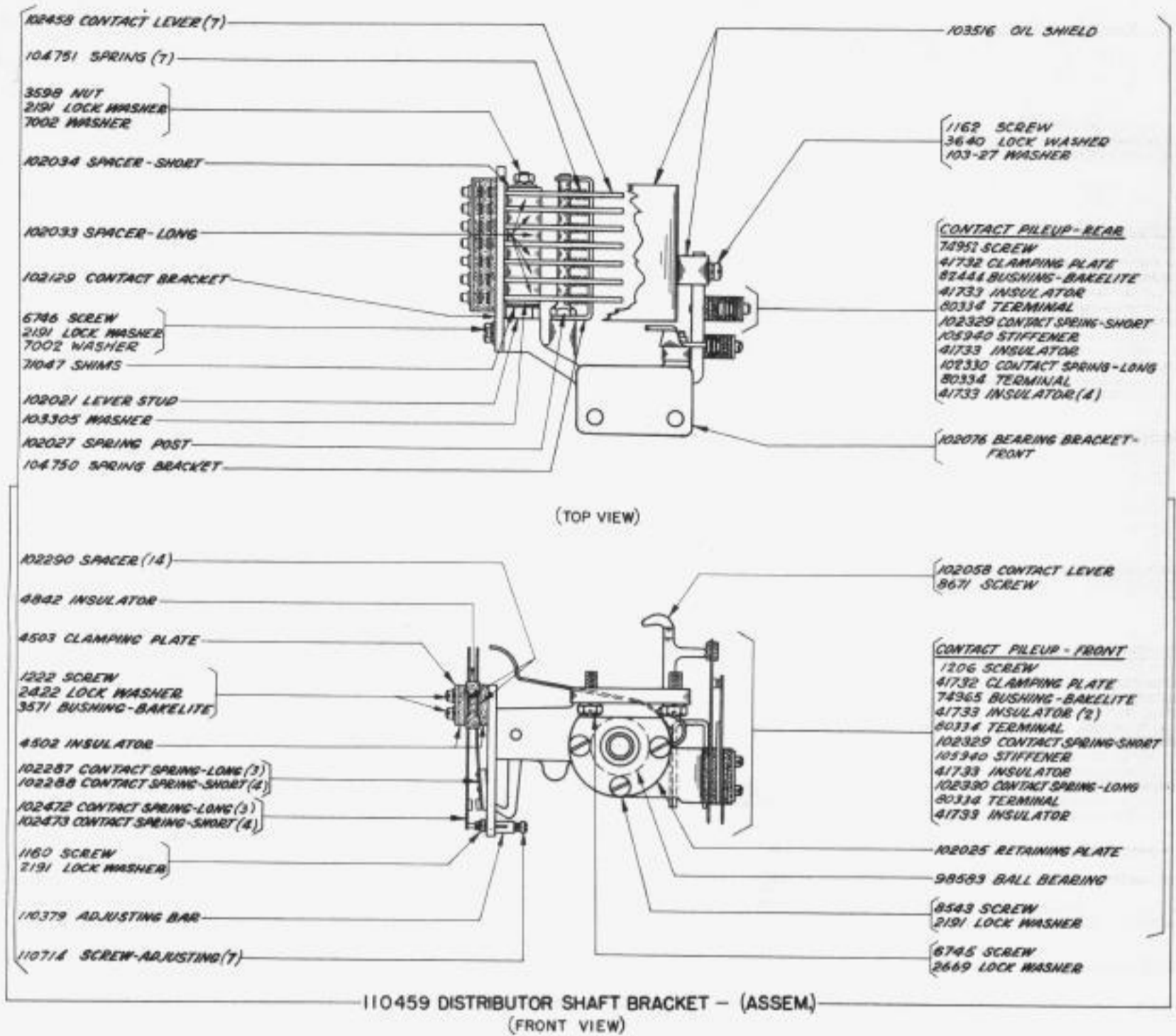


ALL PARTS SHOWN ON THIS PAGE
ARE COMMON TO FRXD3 AND 4.

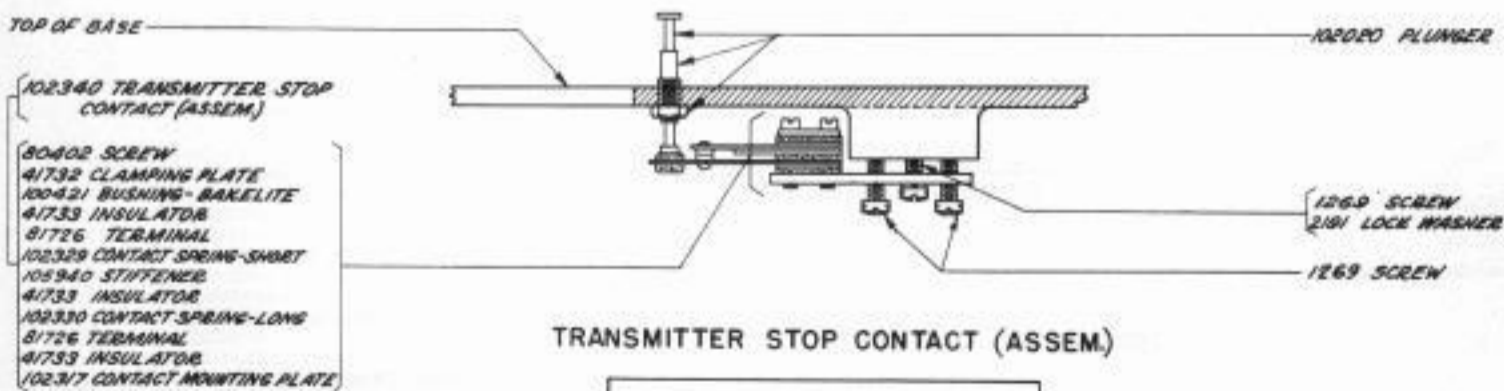
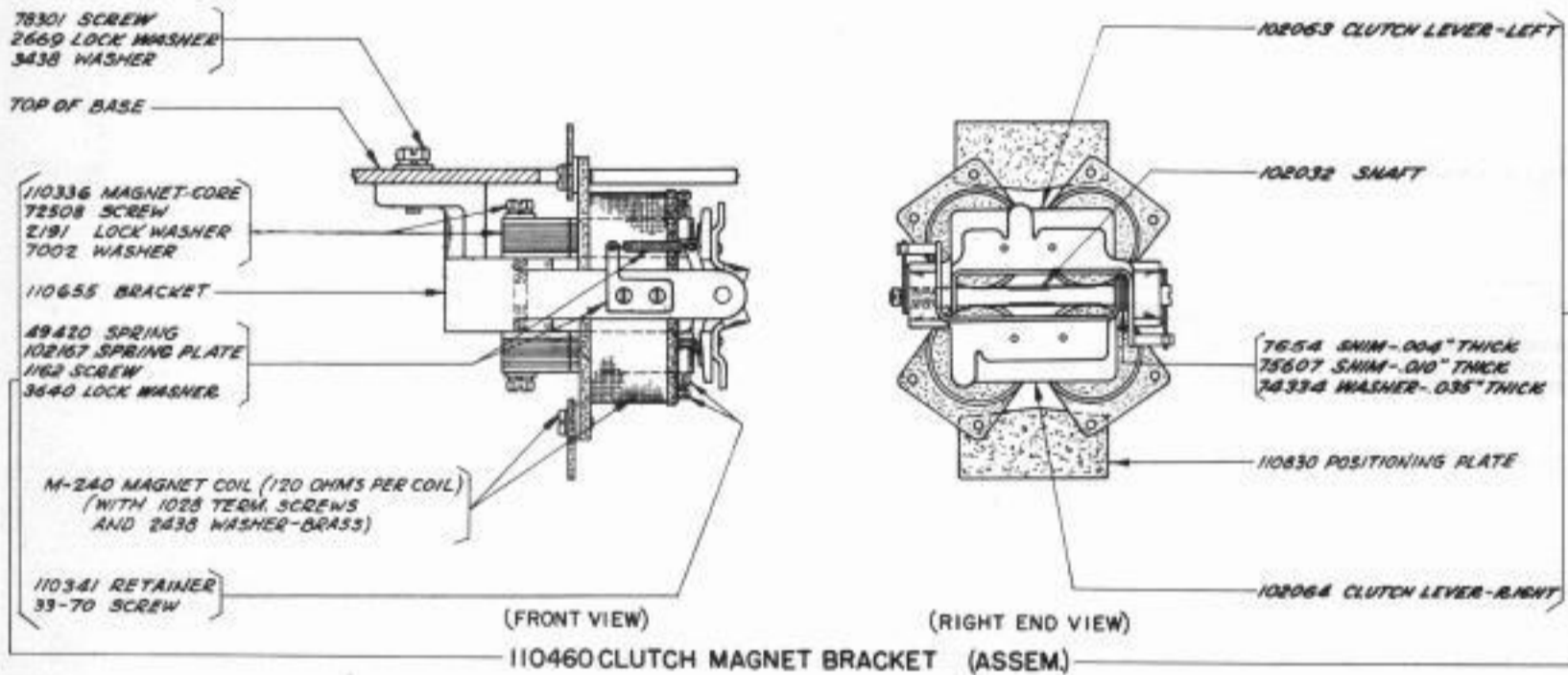
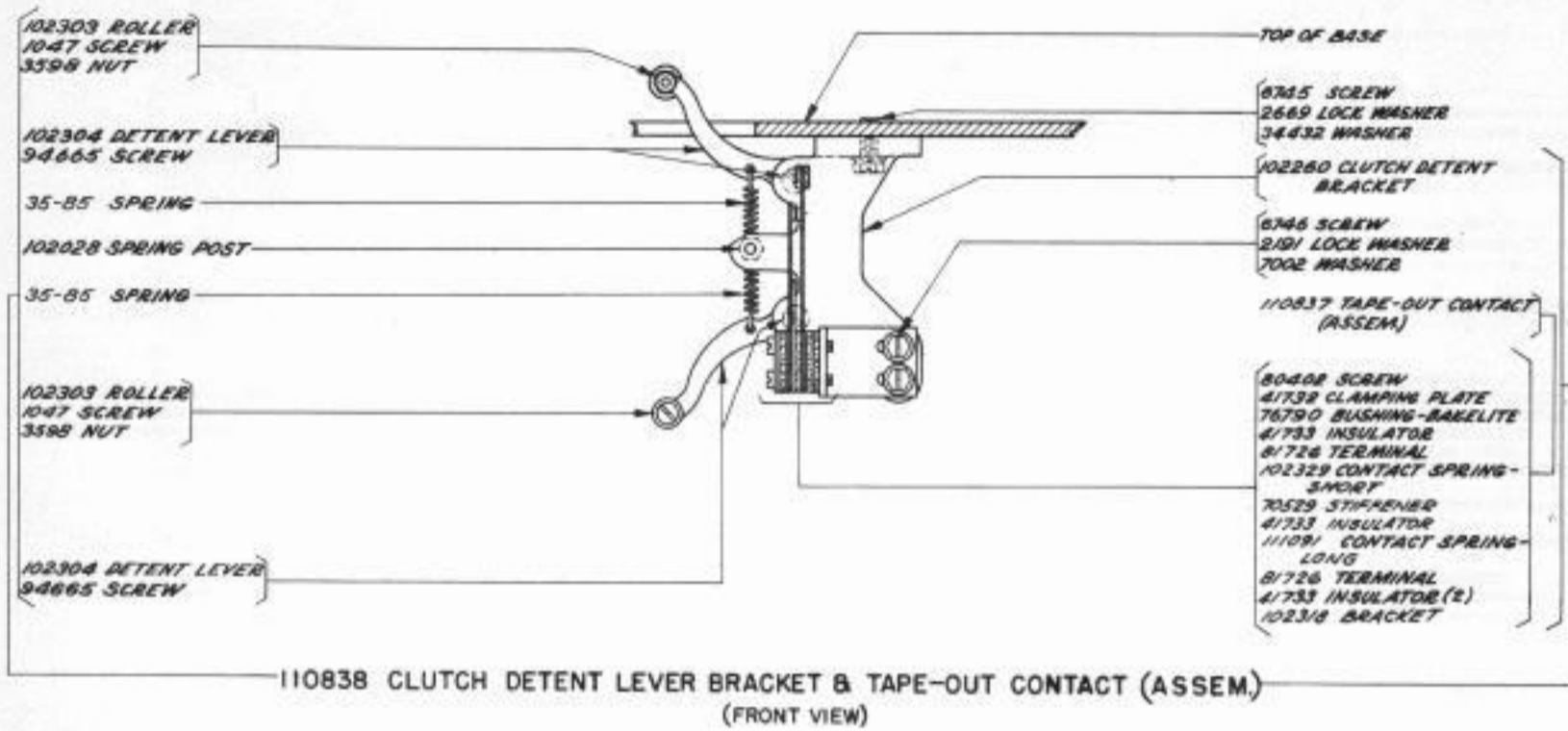


DISTRIBUTOR SHAFT AND SENSING SHAFT (ASSEM.)

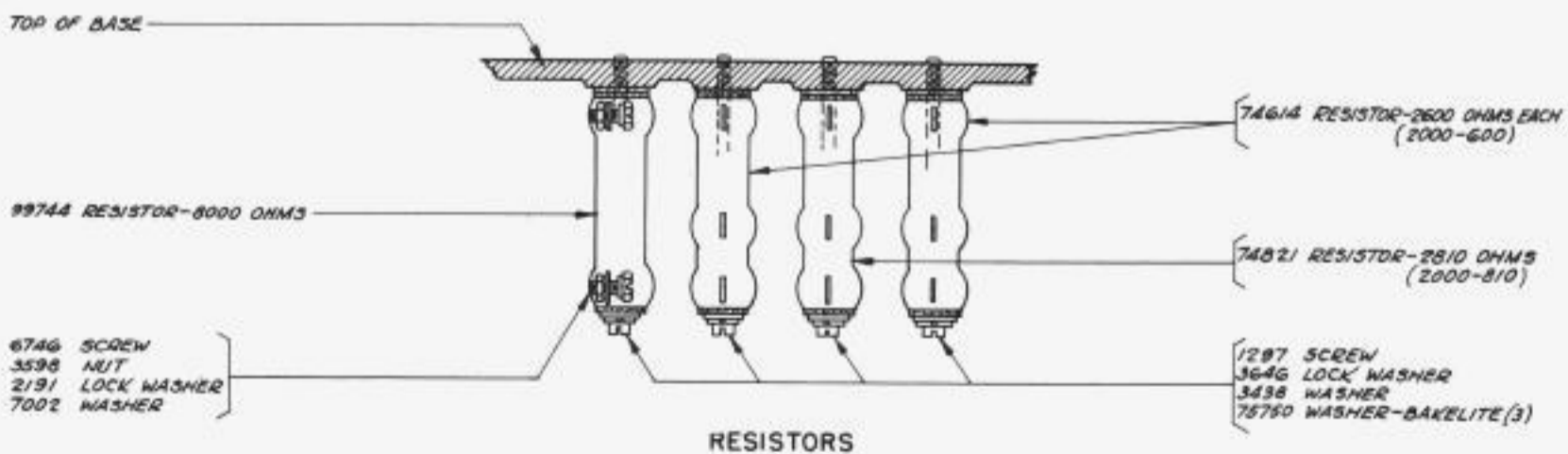
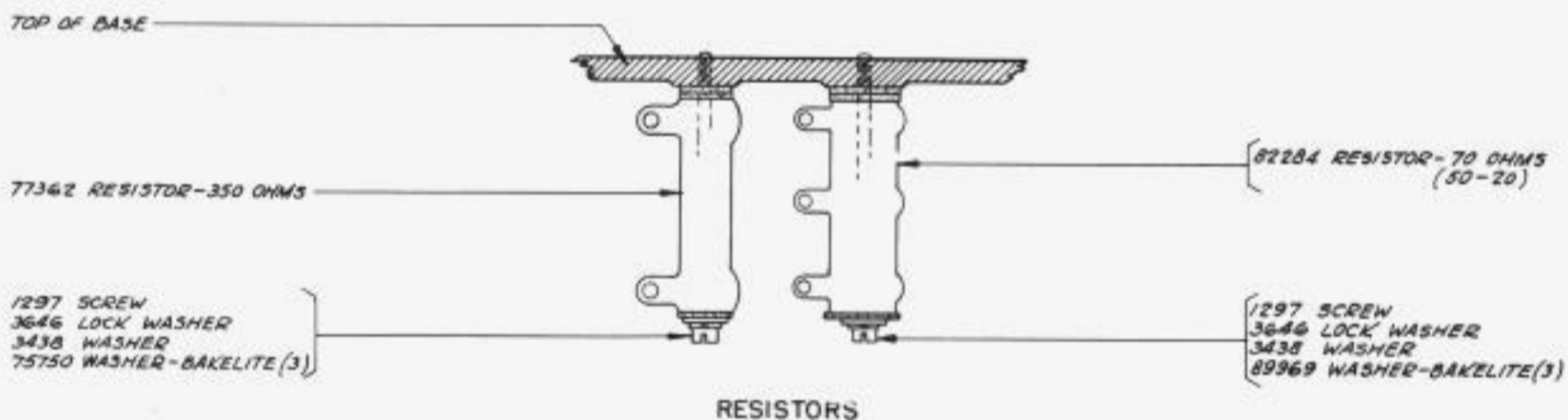
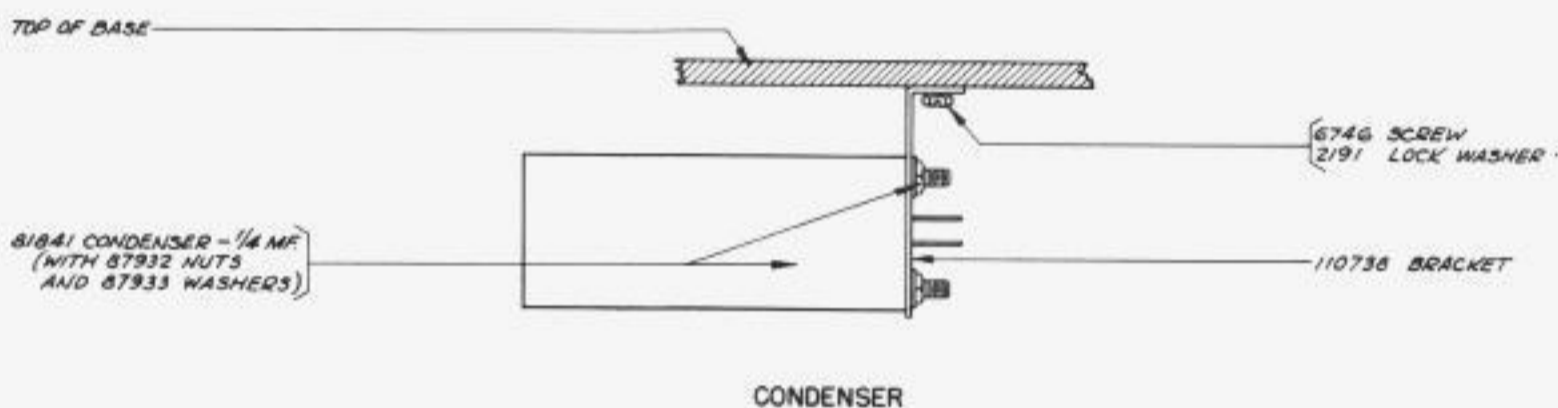
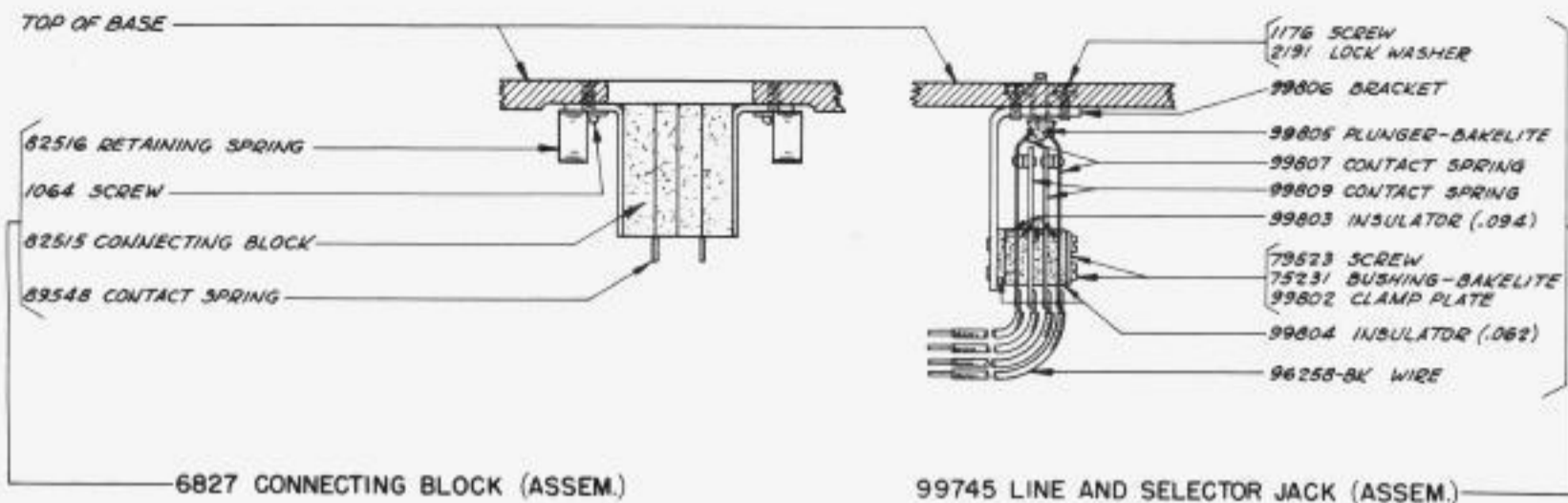
ALL PARTS SHOWN ON THIS PAGE
ARE COMMON TO FRXD3 AND 4.



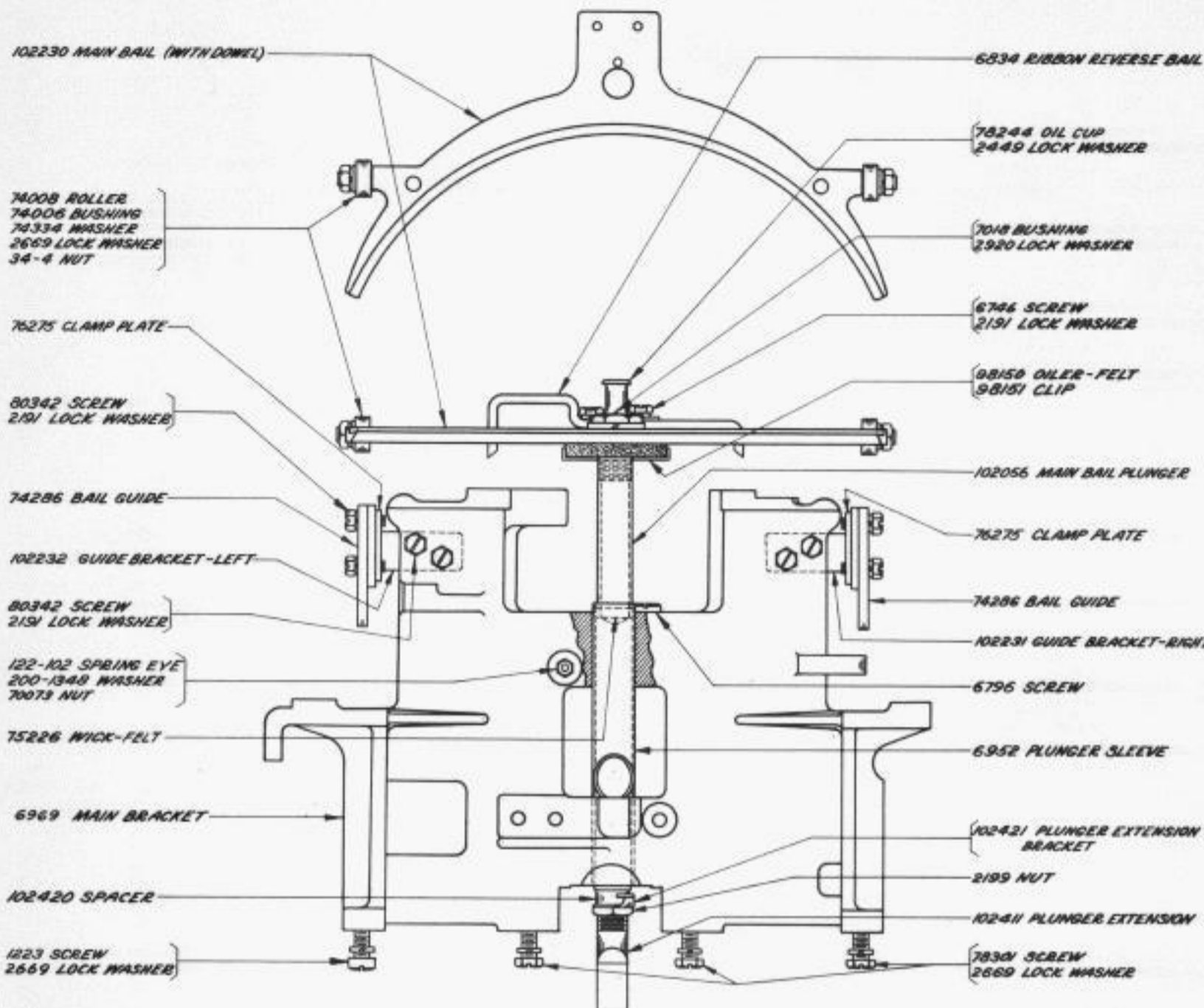
ALL PARTS SHOWN ON THIS PAGE ARE COMMON TO FRXD3 AND 4.



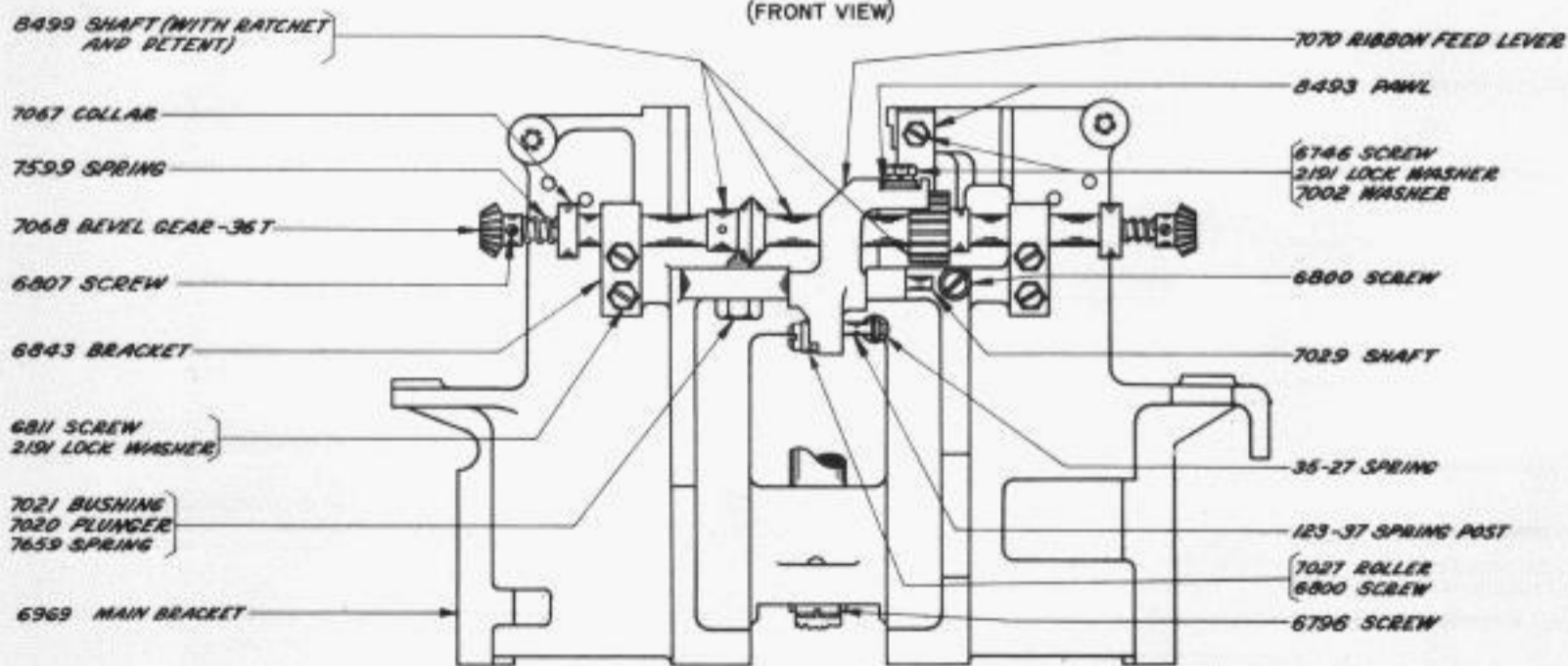
ALL PARTS SHOWN ON THIS PAGE
ARE COMMON TO FRX03 AND 4.



ALL PARTS SHOWN ON THIS PAGE
ARE COMMON TO FRXD3 AND 4.

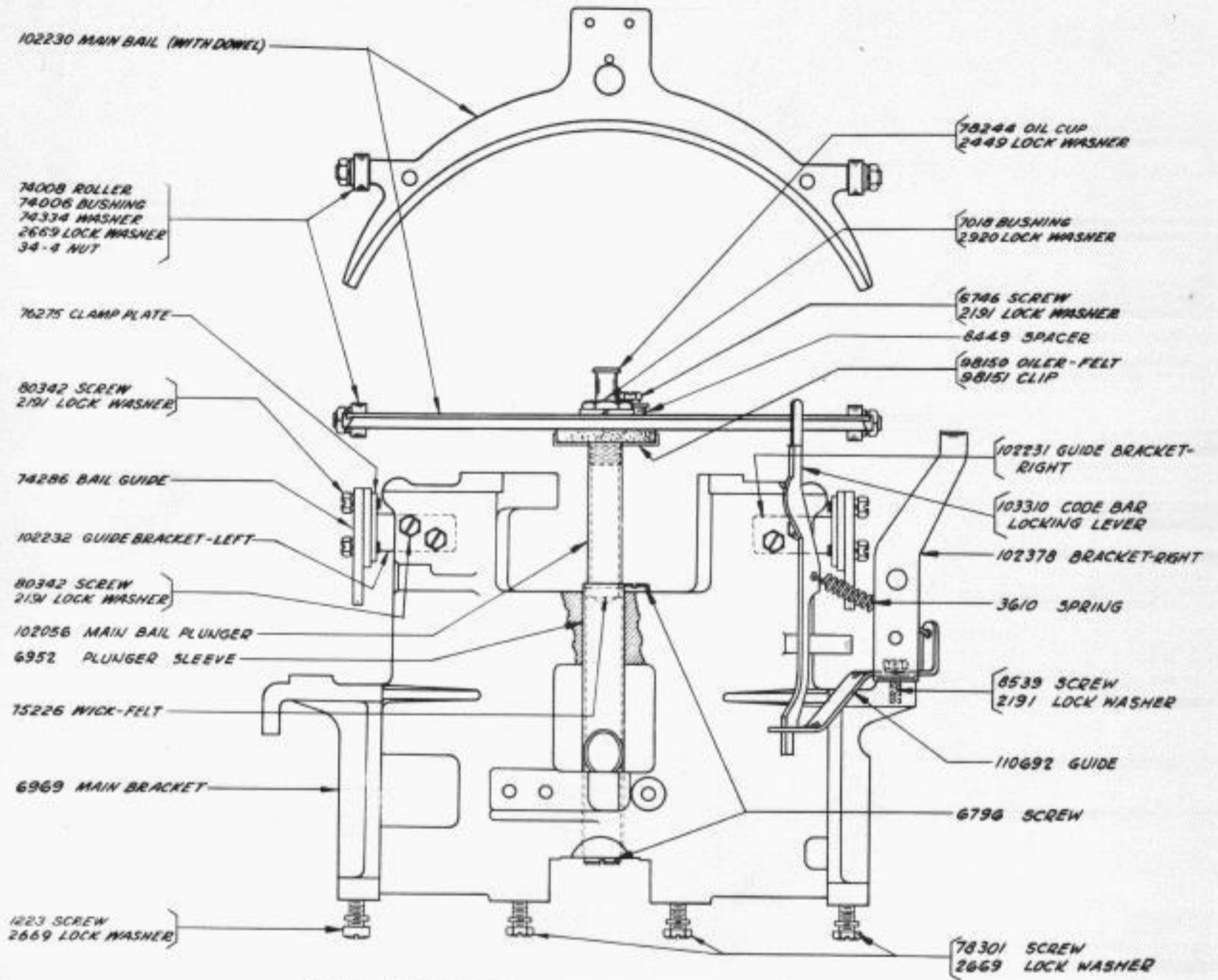


(FRONT VIEW)

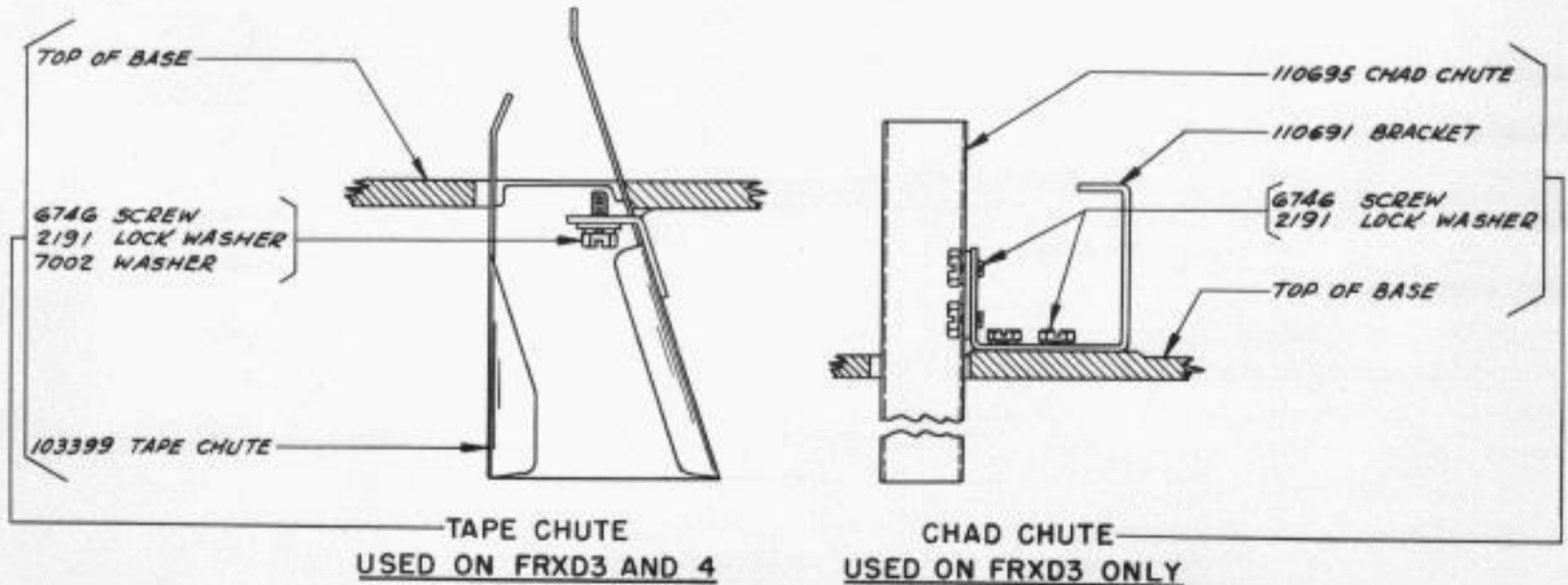


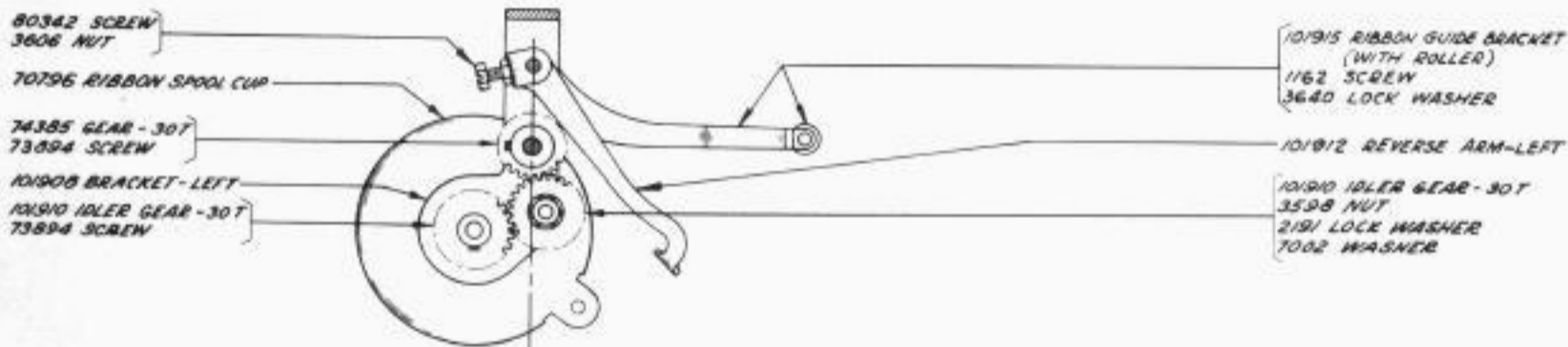
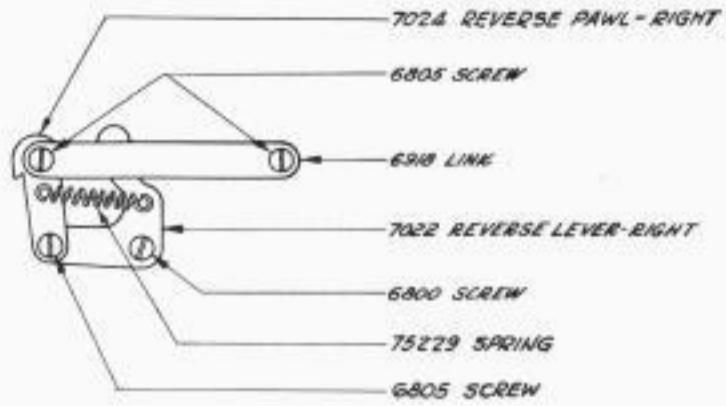
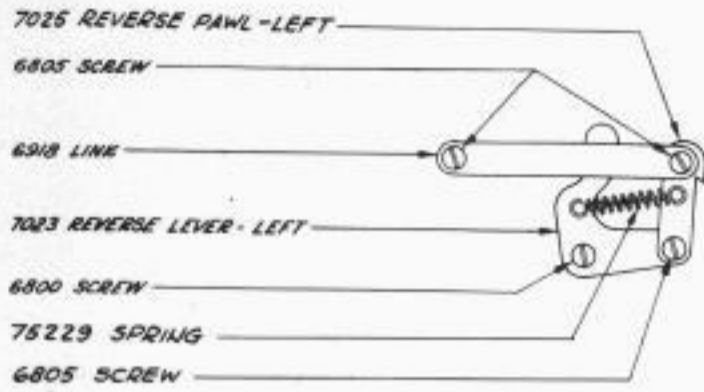
(REAR VIEW)

BAIL AND CODE BAR MOUNTING BRACKET (ASSEM.)
USED ON FRXD4 ONLY

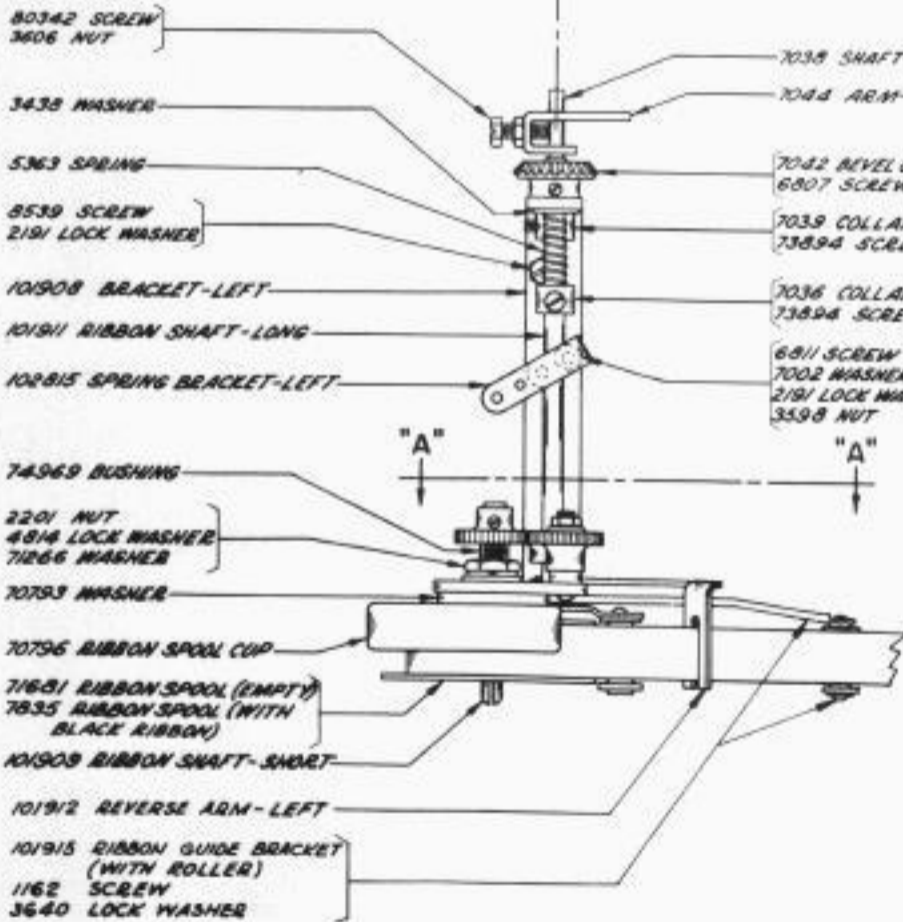


BAIL AND CODE BAR MOUNTING BRACKET (ASSEM.)
(FRONT VIEW)
USED ON FRXD3 ONLY

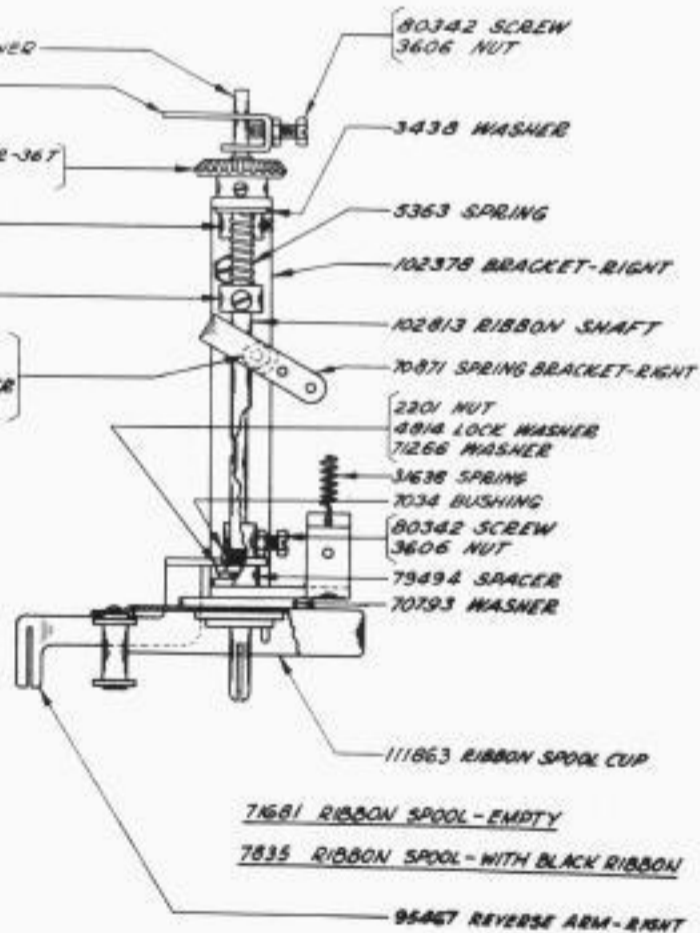




SECTION "A-A"



RIBBON FEED MECHANISM-LEFT



RIBBON FEED MECHANISM-RIGHT

ALL PARTS SHOWN ON THIS PAGE
ARE USED ON FRXD4 ONLY.

CODE BARS (FOR FRXD3 ONLY)	
NO. STAMPED ON CODE BAR	CATALOG NUMBER
NONE	110694
5 REQUIRED	

CODE BARS (FOR FRXD4 ONLY)	
NO. STAMPED ON CODE BAR	CATALOG NUMBER
1J	95461
2J	95462
3J	95463
4J	95464
5J	95465
1 OF EACH REQUIRED	

84233 PULL BAR STRIPPER
(FRXD4 ONLY)

75517 PULL BAR GUIDE (FRXD4)

110378 PULL BAR GUIDE (FRXD3)

110452 STUD
3438 WASHER
2669 LOCK WASHER
71047 SHIMS (UNDER 75517
OR 110378)

7484 CODE BAR POST
3598 NUT (2)
2191 LOCK WASHER } TOP
6987 WASHER (6)
6859 BUSHING (5)
3606 NUT-BOTTOM

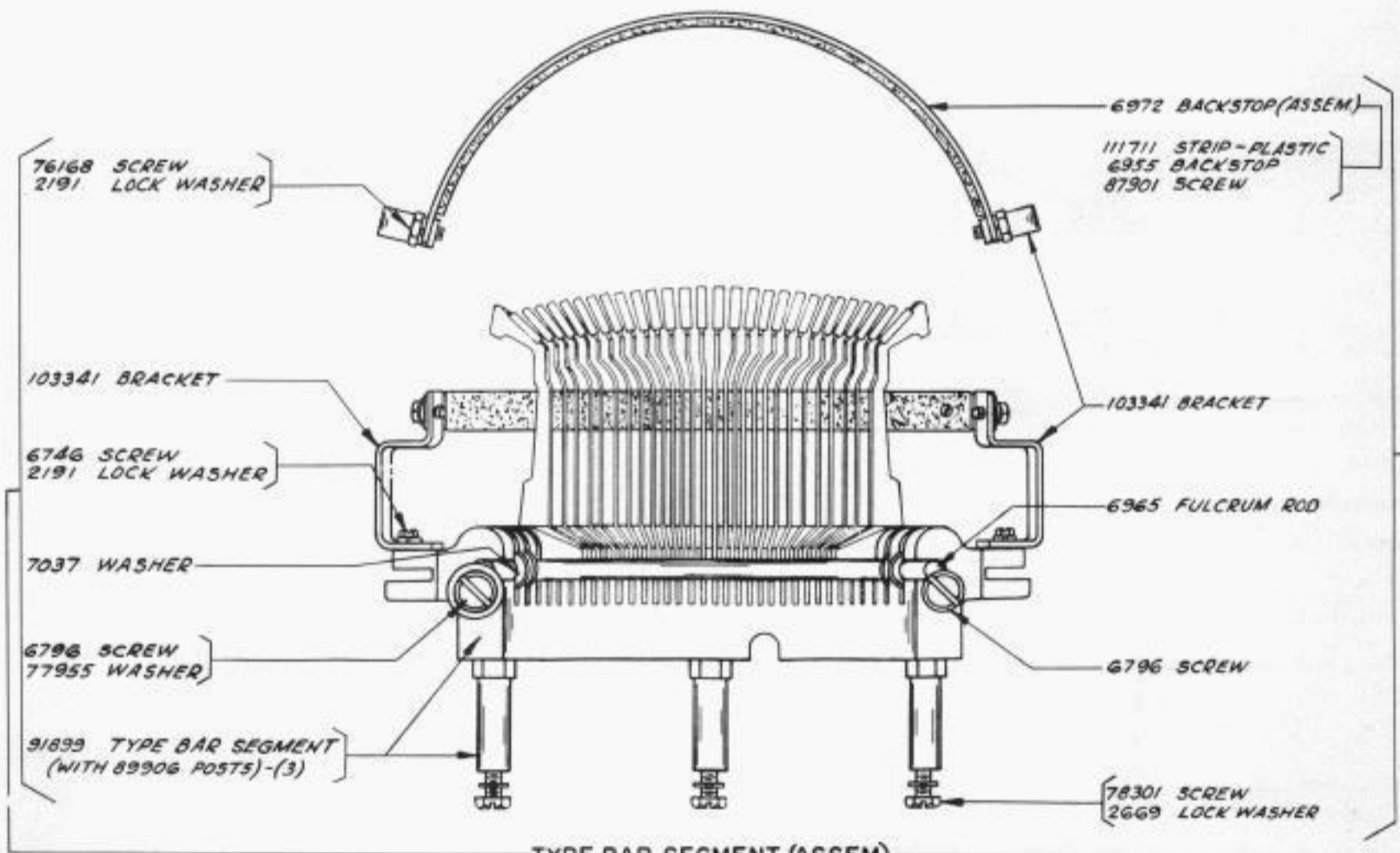
6745 SCREW
3438 WASHER
2669 LOCK WASHER
71047 SHIM (UNDER 75517
OR 110378)

6746 SCREW
2191 LOCK WASHER
7001 WASHER
7002 WASHER

BETWEEN 75517 & 84233
(FRXD4 ONLY)

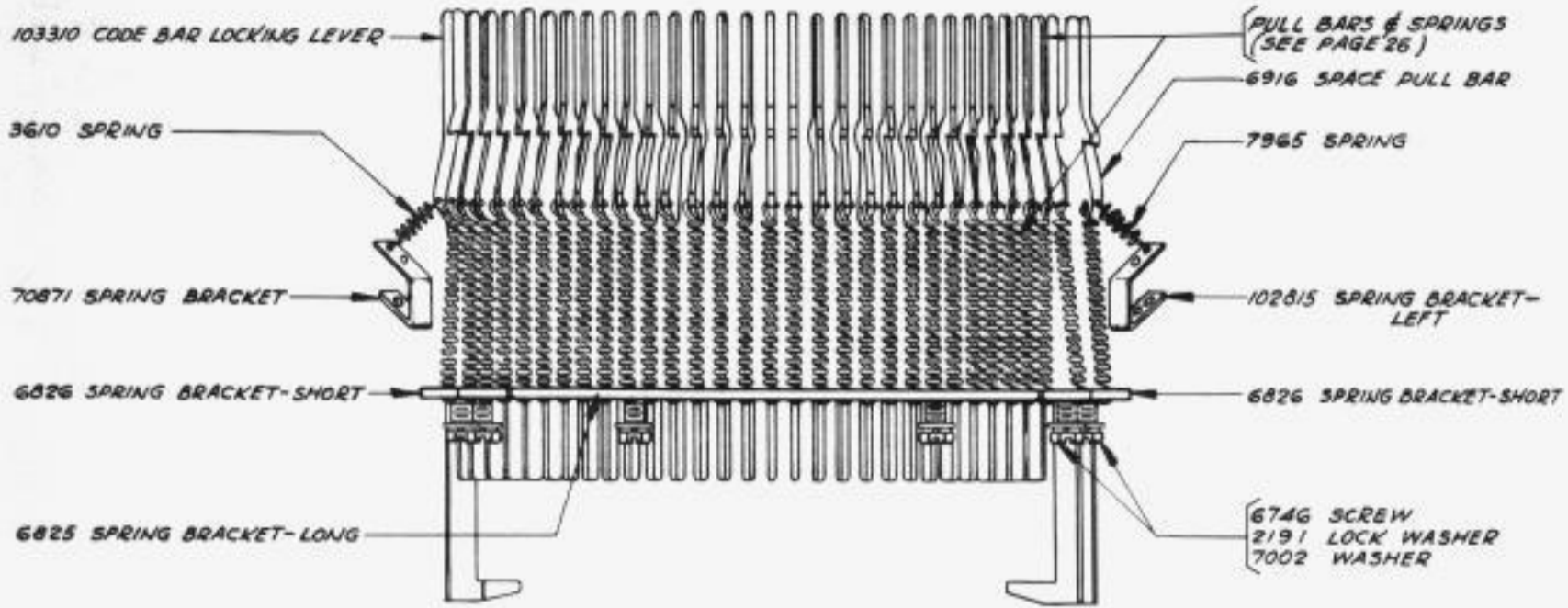
CODE BARS
(SEE CHARTS AT TOP OF PAGE)

CODE BARS
(TOP VIEW)



TYPE BAR SEGMENT (ASSEM)
(FRONT VIEW-SEE PAGE 10 FOR REAR VIEW)
USED ON FRXD4 ONLY

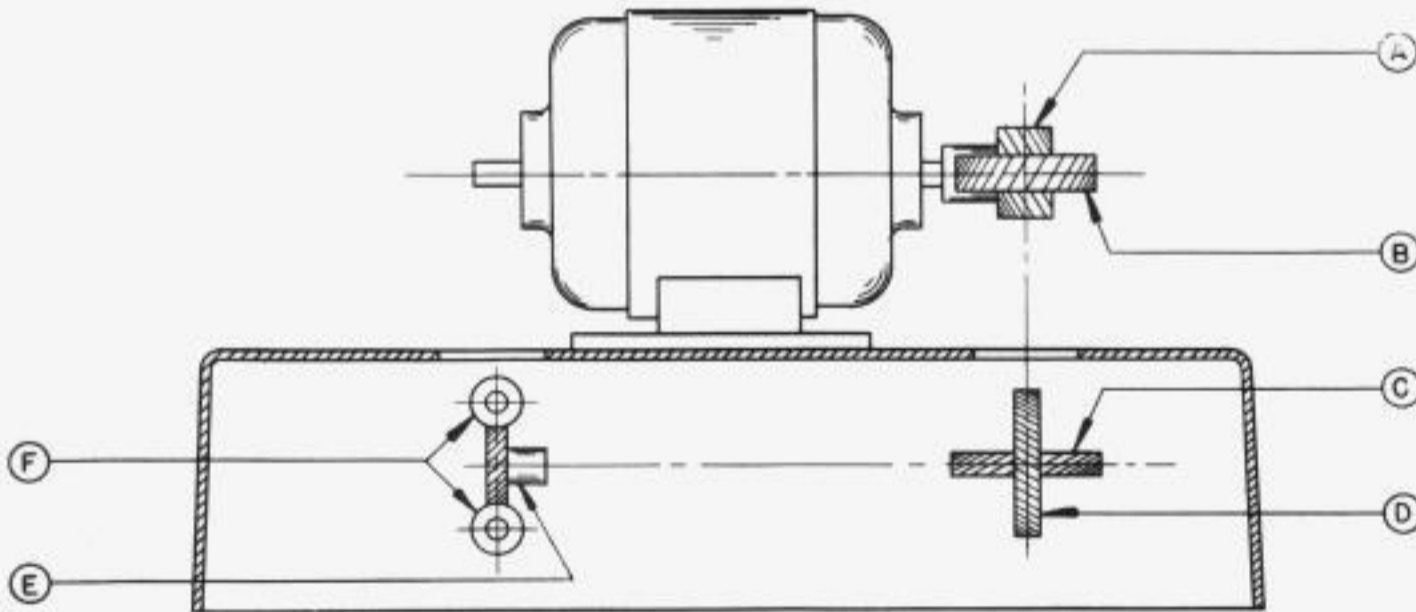
UNLESS OTHERWISE SPECIFIED
ALL PARTS SHOWN ON THIS PAGE
ARE COMMON TO FRXD3 AND 4.



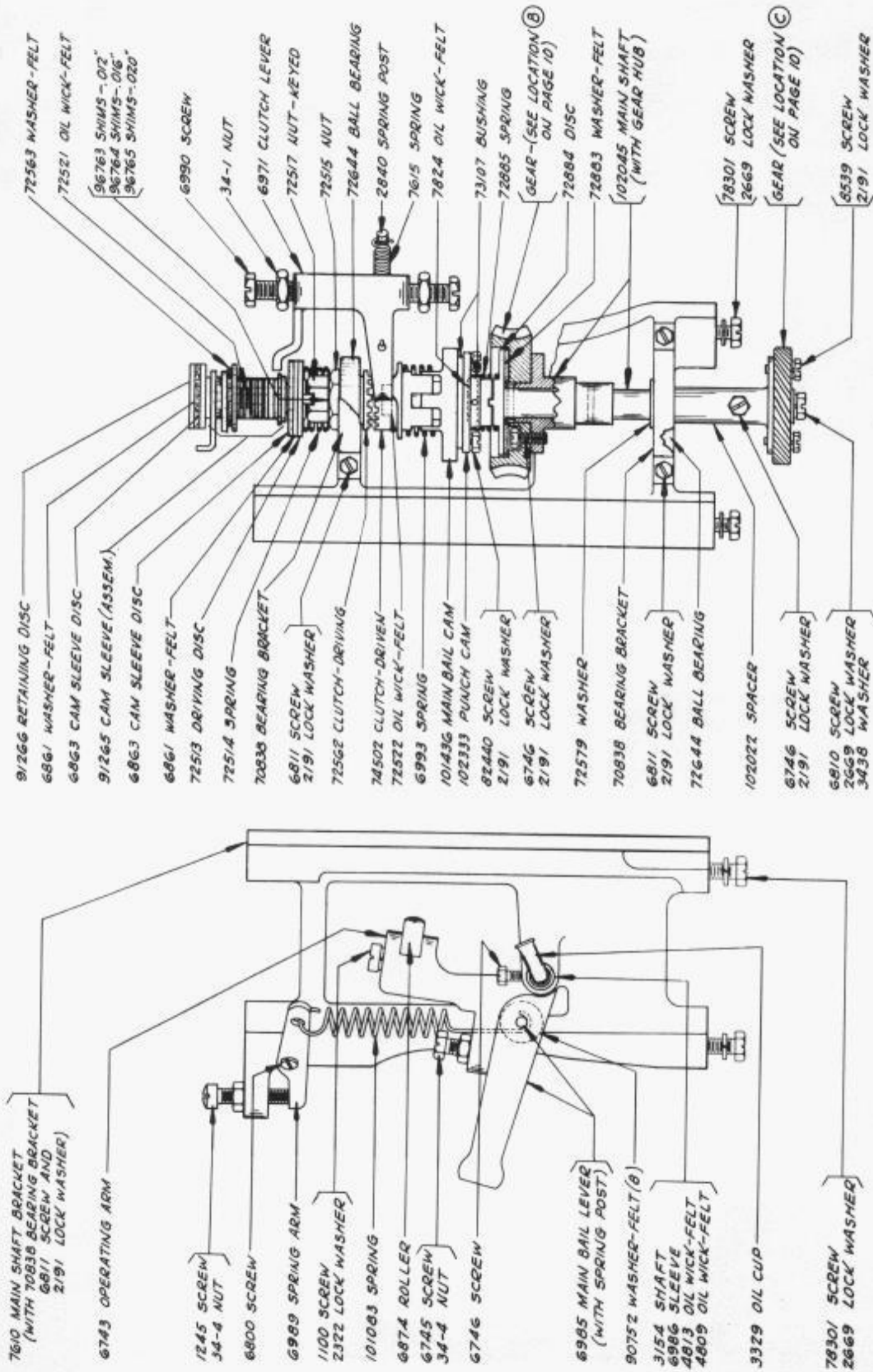
TYPE BAR SEGMENT (ASSEM.)
(REAR VIEW-SEE PAGE 9 FOR FRONT VIEW)
USED ON FRXD4 ONLY

PINION & GEAR CHART

SPEEDS (O.P.M.)		LOCATIONS AND NUMBERS OF PINIONS AND GEARS										MOTOR	SETS OF MOTOR AND GEAR PARTS		
RECEIVING	SENDING	(A)		(B)		(C)		(D)		(E)				(F)	
		PART NUMBER	TEETH	PART NUMBER	TEETH	PART NUMBER	TEETH	PART NUMBER	TEETH	PART NUMBER	TEETH	PART NUMBER	TEETH		
460	460	94267	7	88945	24	102035	24	102036	47	102010	24	102011	14	82208	102143
368	368	78510	7	78509	30	102041	30	102042	28	102012	18	102013	22	82209	102146

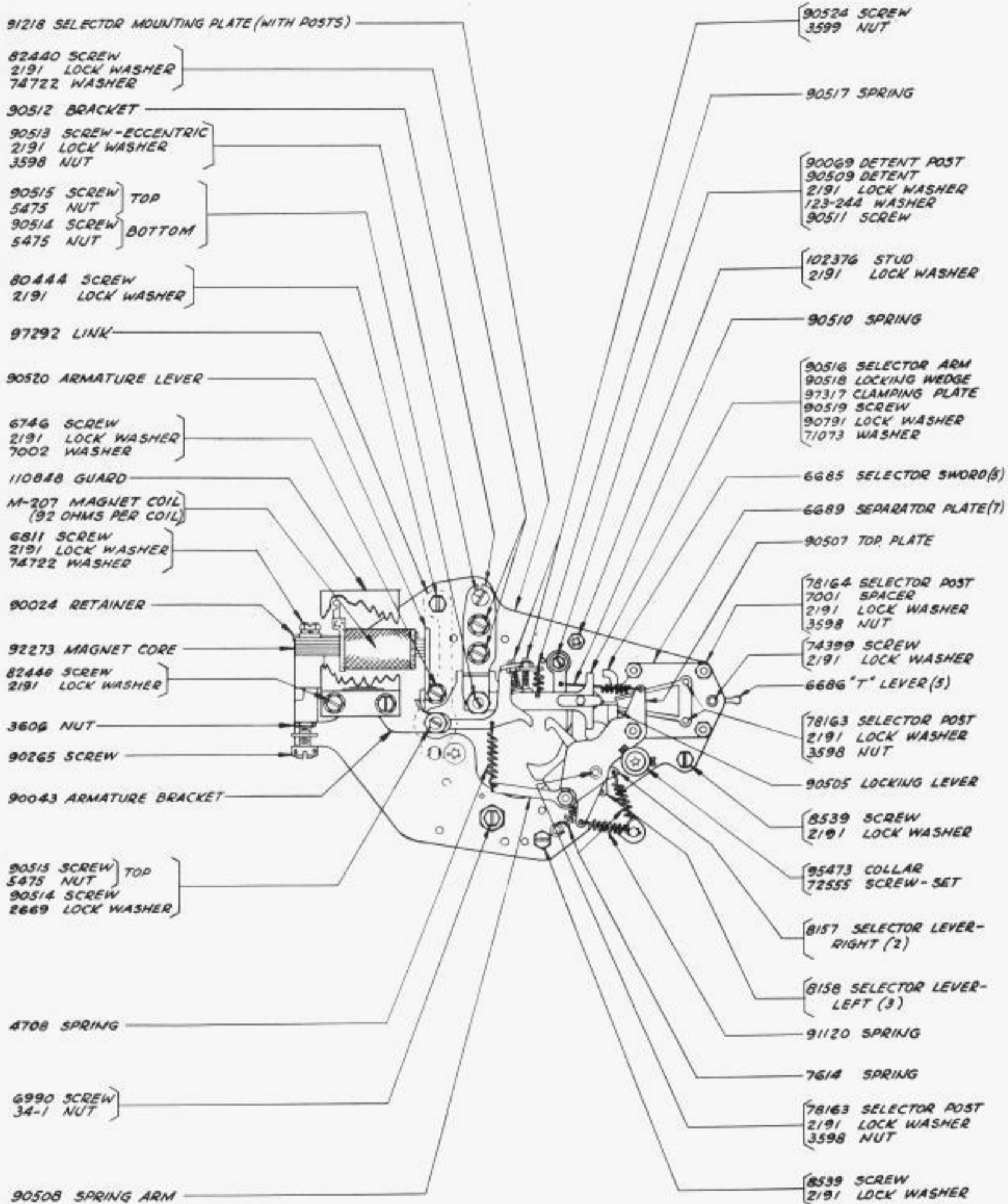


CROSS SECTION OF UNIT
SHOWING LOCATION OF PINIONS AND GEARS



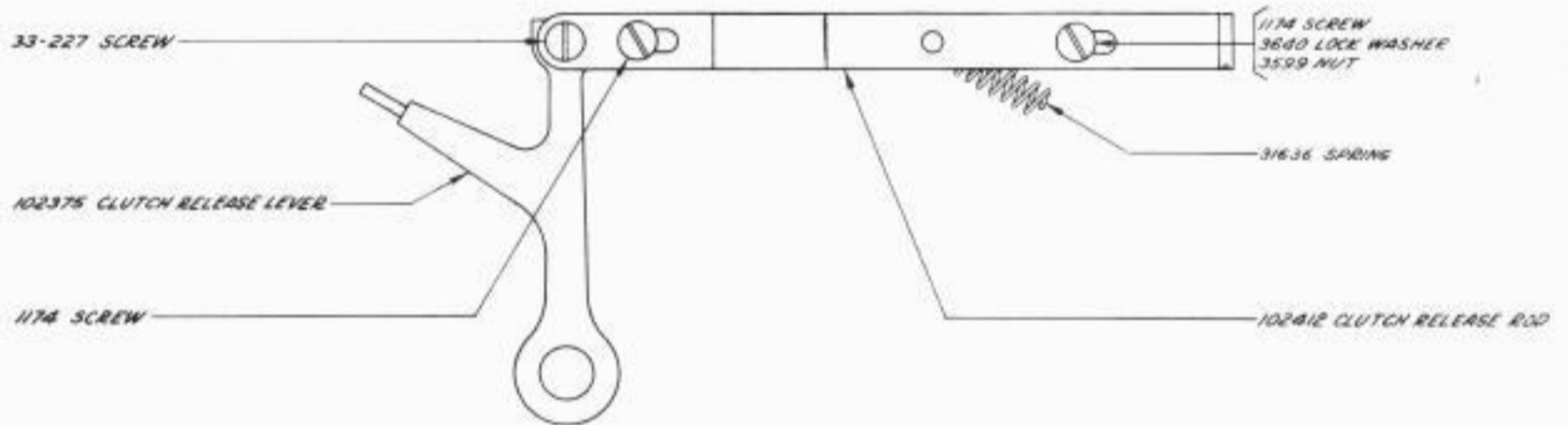
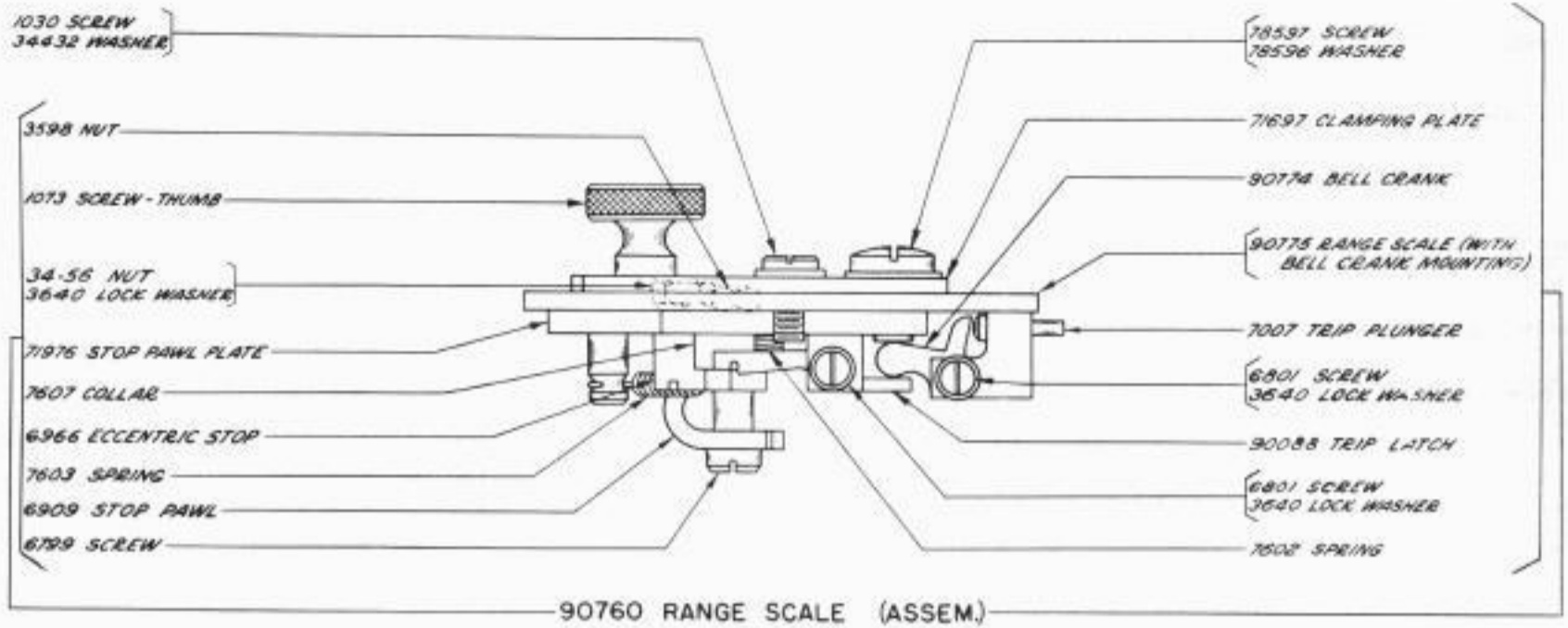
MAIN SHAFT AND BRACKET (ASSEM.)

ALL PARTS SHOWN ON THIS PAGE
ARE COMMON TO FRXD3 AND 4.

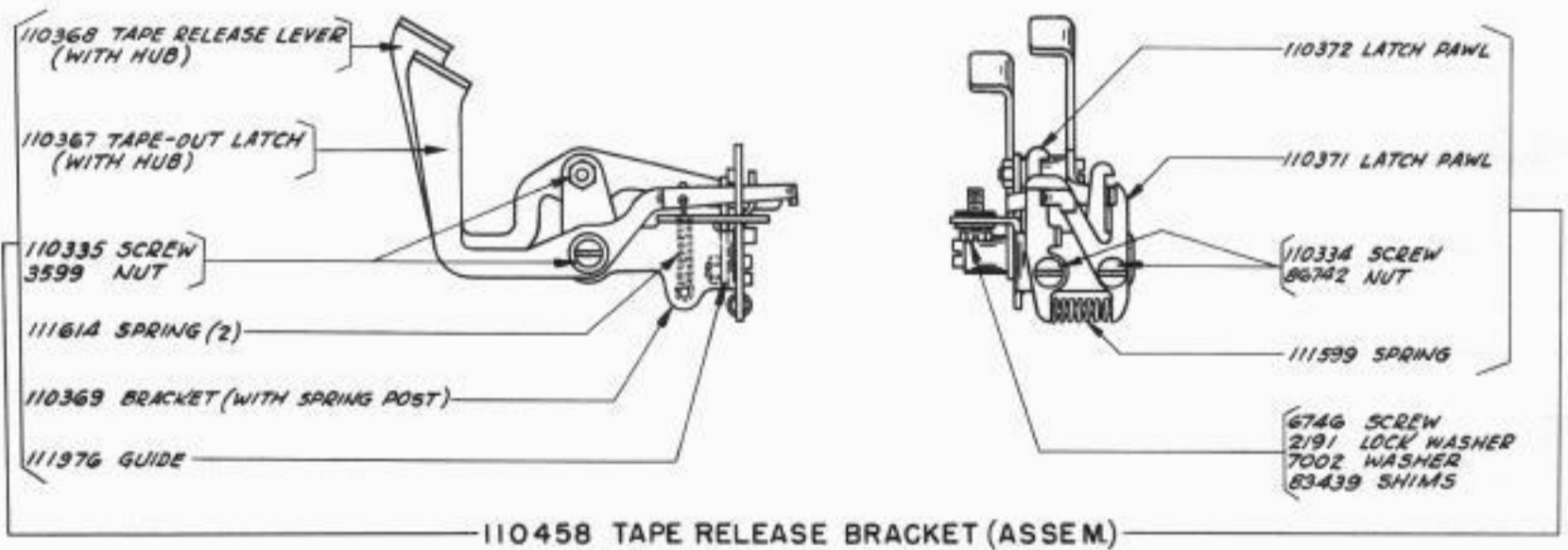


SELECTOR UNIT (ASSEM.) - HOLDING MAGNET

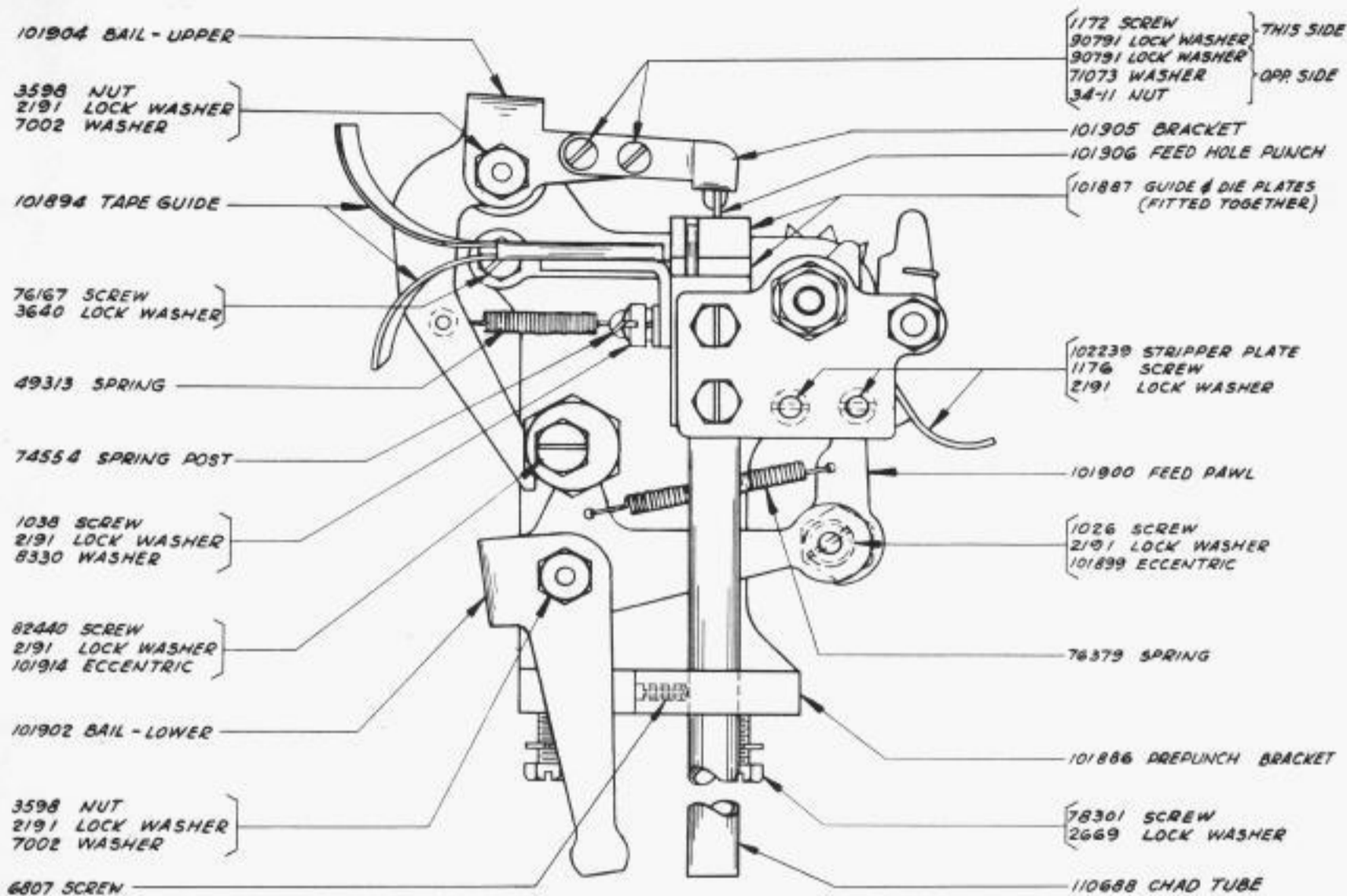
ALL PARTS SHOWN ON THIS PAGE
ARE COMMON TO FRXD3 AND 4.



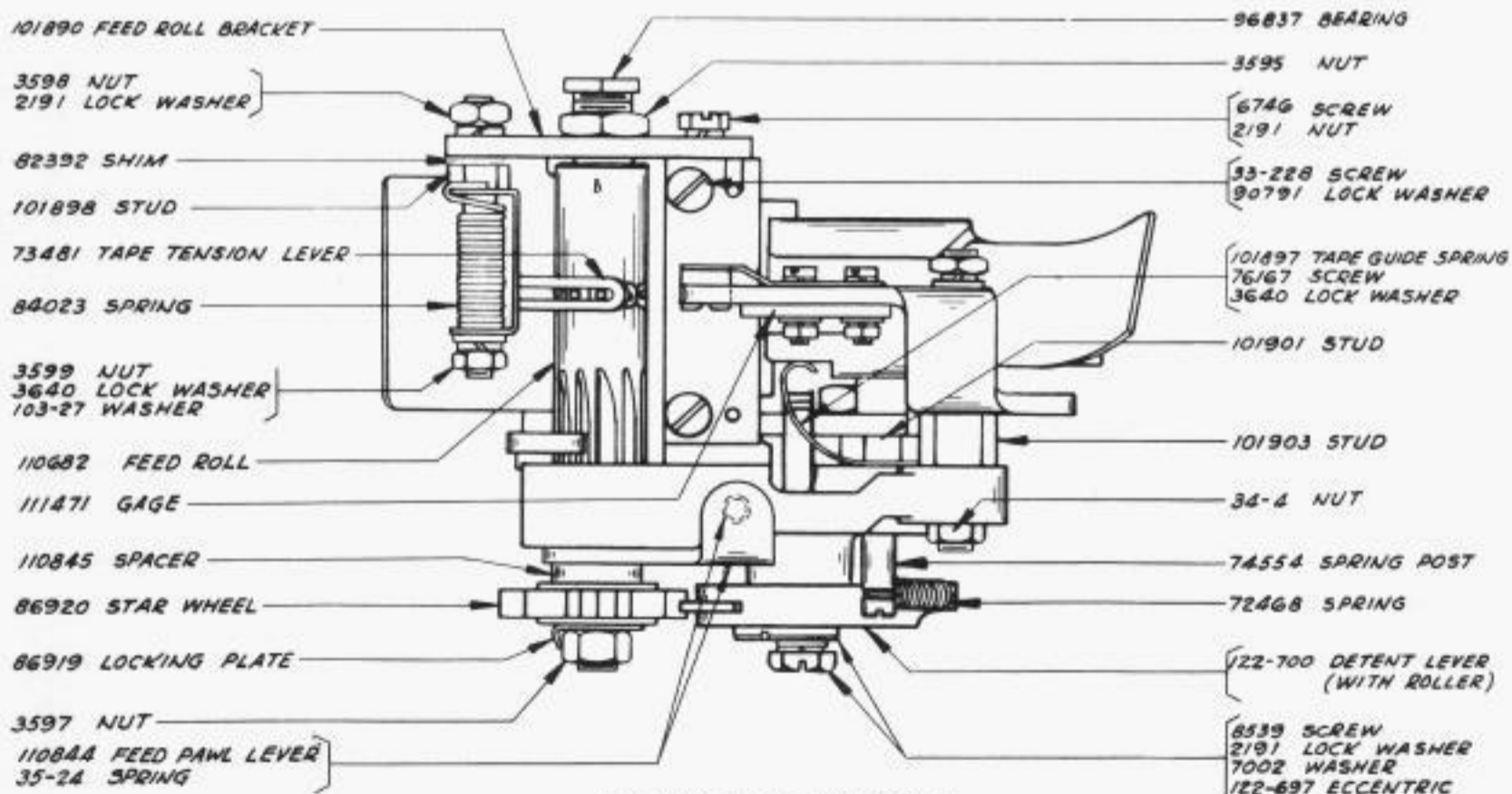
MANUAL TAPE-OUT PARTS



ALL PARTS SHOWN ON THIS PAGE
ARE COMMON TO FRXD3 AND 4.

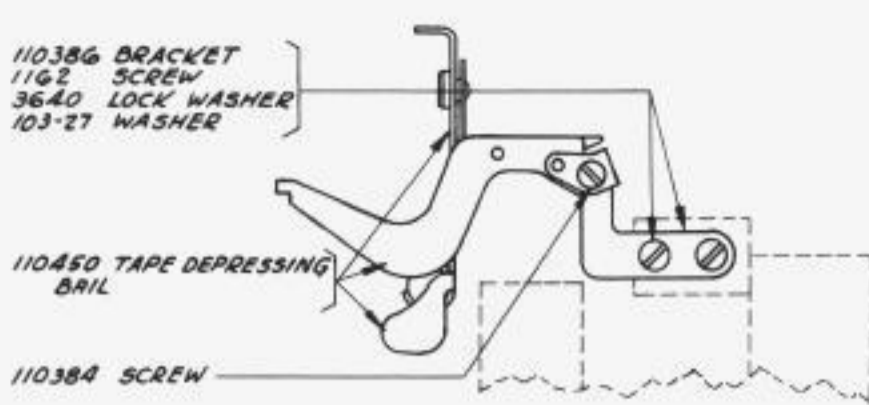


(REAR VIEW)

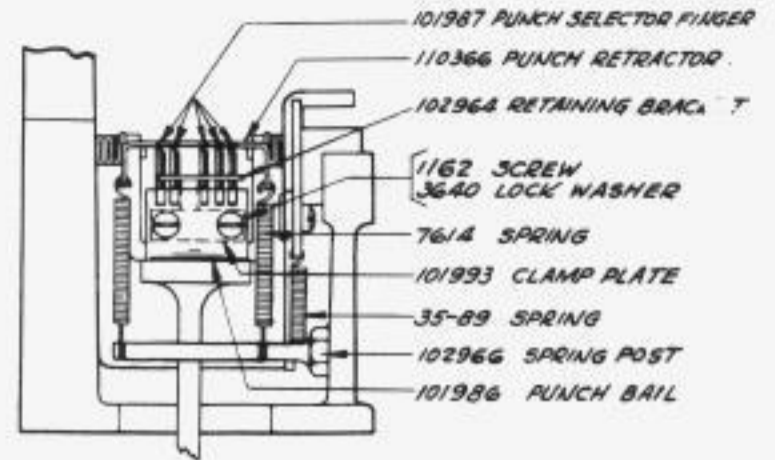


PREPUNCH UNIT (ASSEM.)
(TOP VIEW)

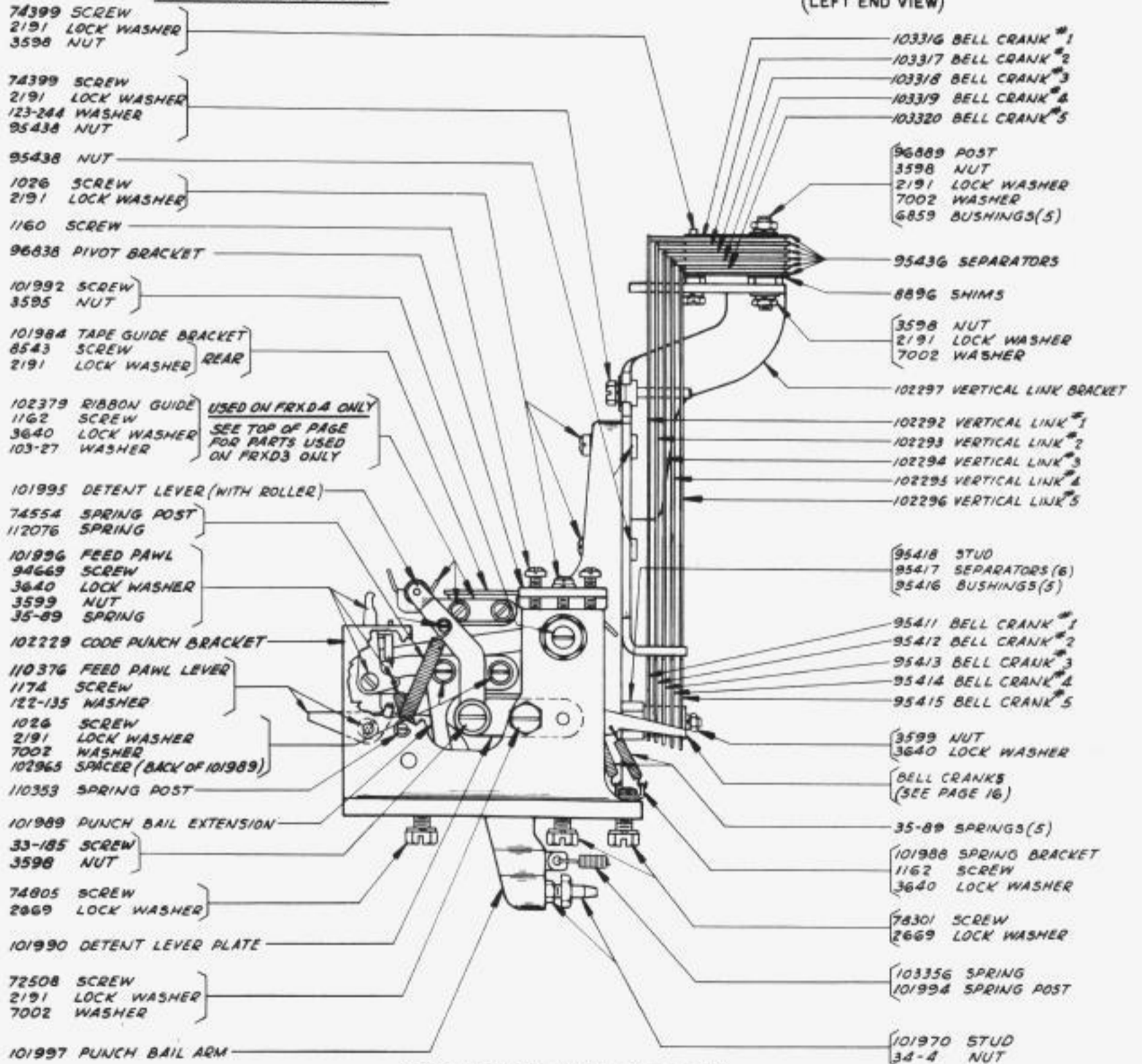
ALL PARTS SHOWN ON THIS PAGE
ARE COMMON TO FRXD3 AND 4.



TAPE DEPRESSING BAIL (ASSEM.)
USED IN PLACE OF 102379 RIBBON GUIDE, SHOWN BELOW
USED ON FRXD3 ONLY

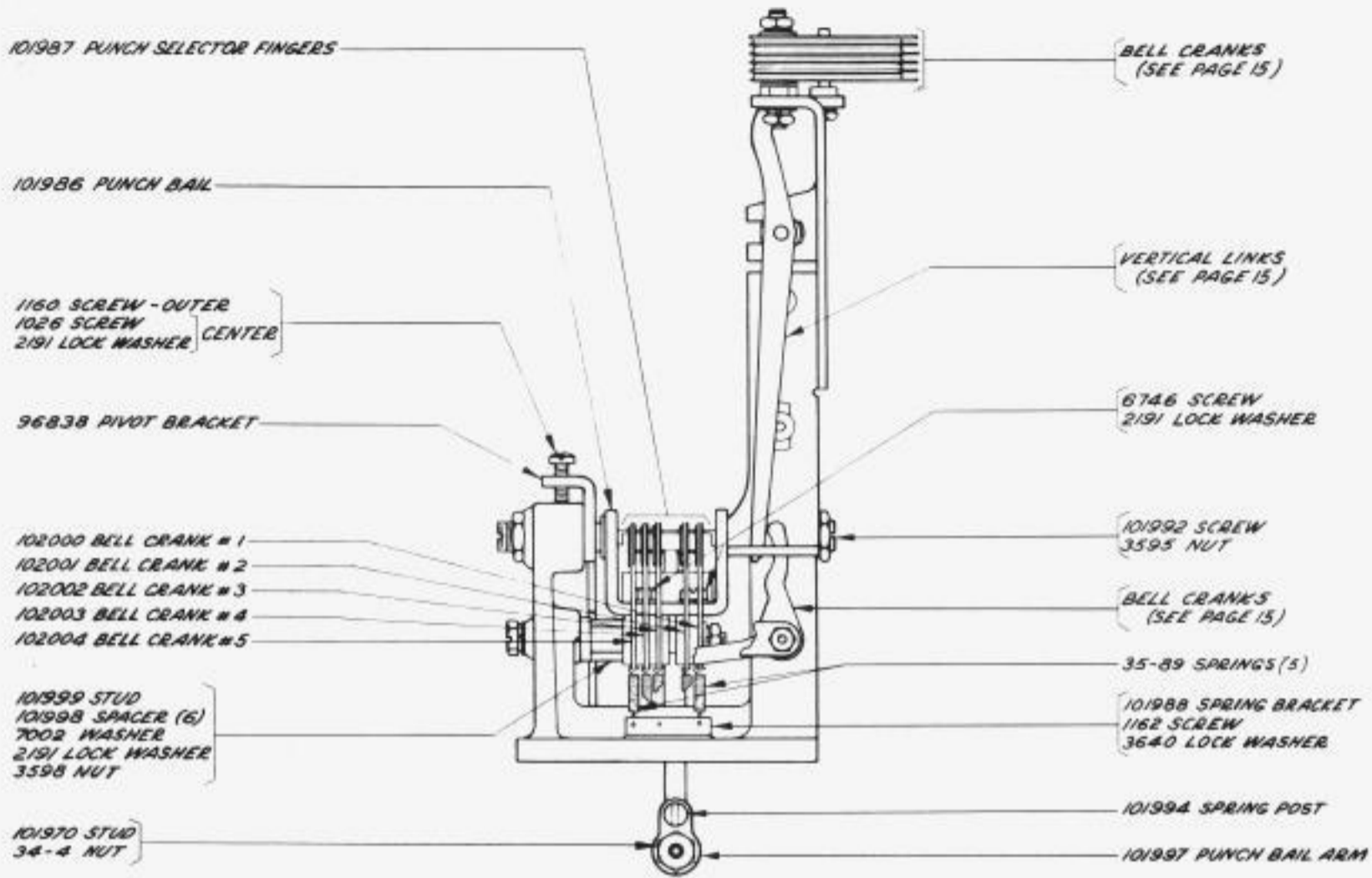


CODE PUNCH UNIT (ASSEM.)
(LEFT END VIEW)

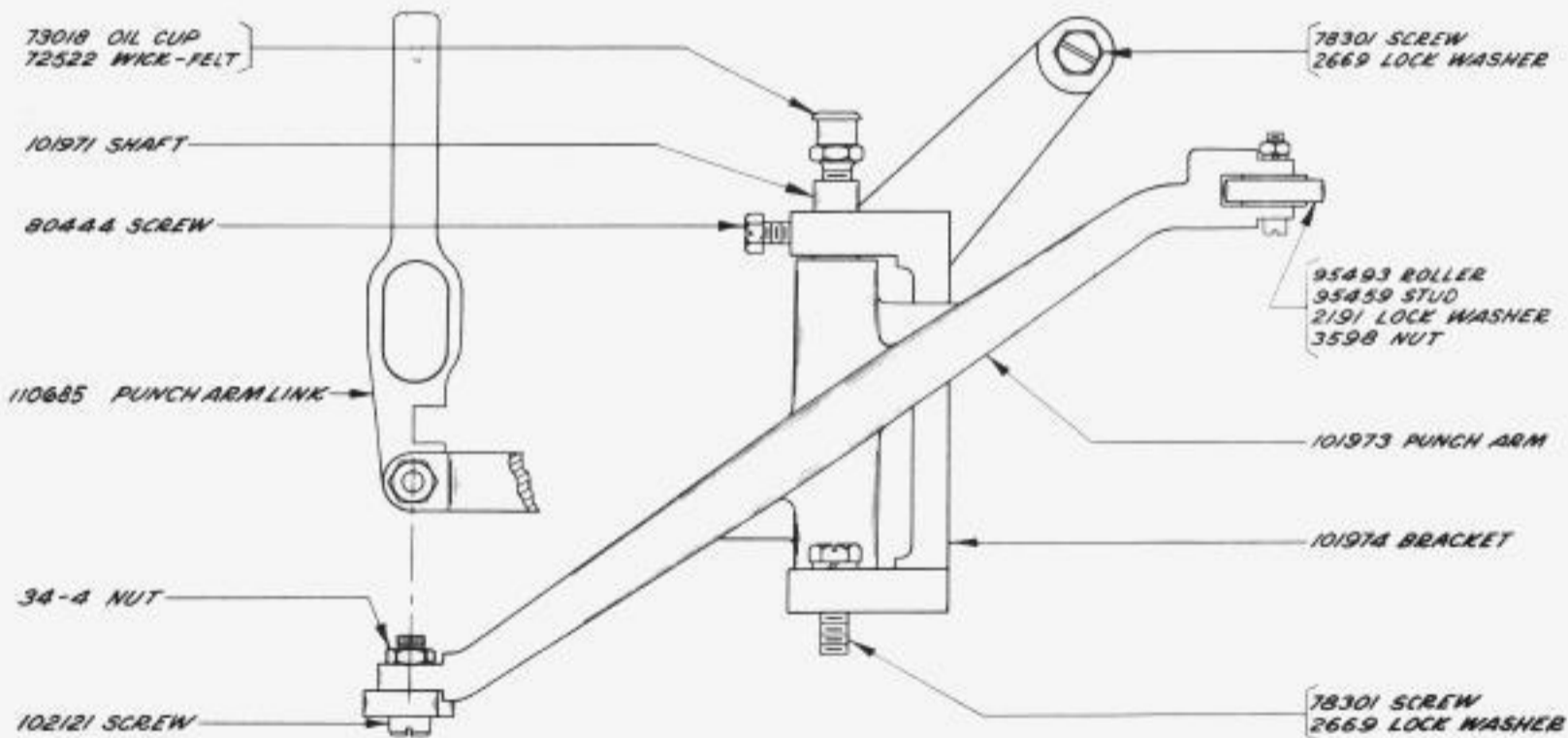


CODE PUNCH UNIT (ASSEM.)
(FRONT VIEW-SEE PAGE 16 FOR RIGHT END VIEW)

UNLESS OTHERWISE SPECIFIED
ALL PARTS SHOWN ON THIS PAGE
ARE COMMON TO FRXD3 AND 4.

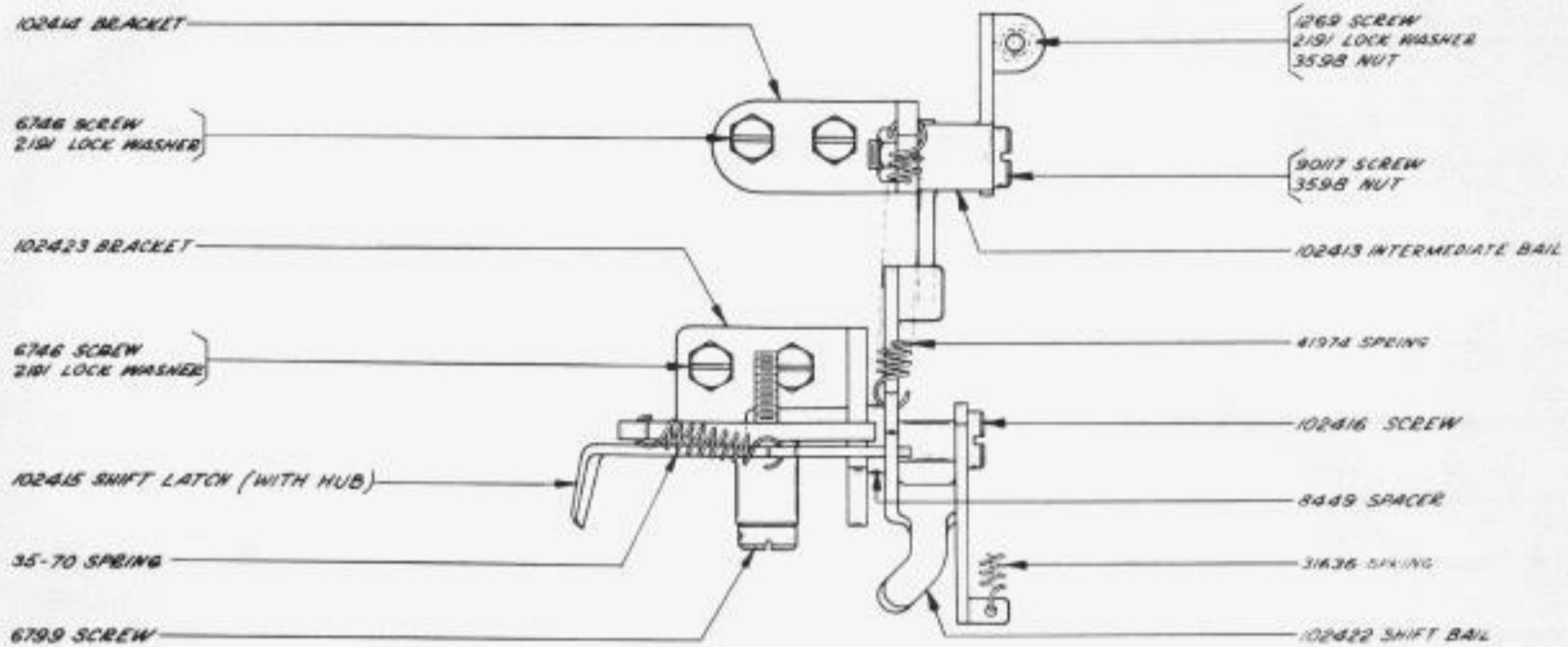


CODE PUNCH UNIT (ASSEM.)
(RIGHT END VIEW - SEE PAGE 15 FOR OTHER VIEWS)

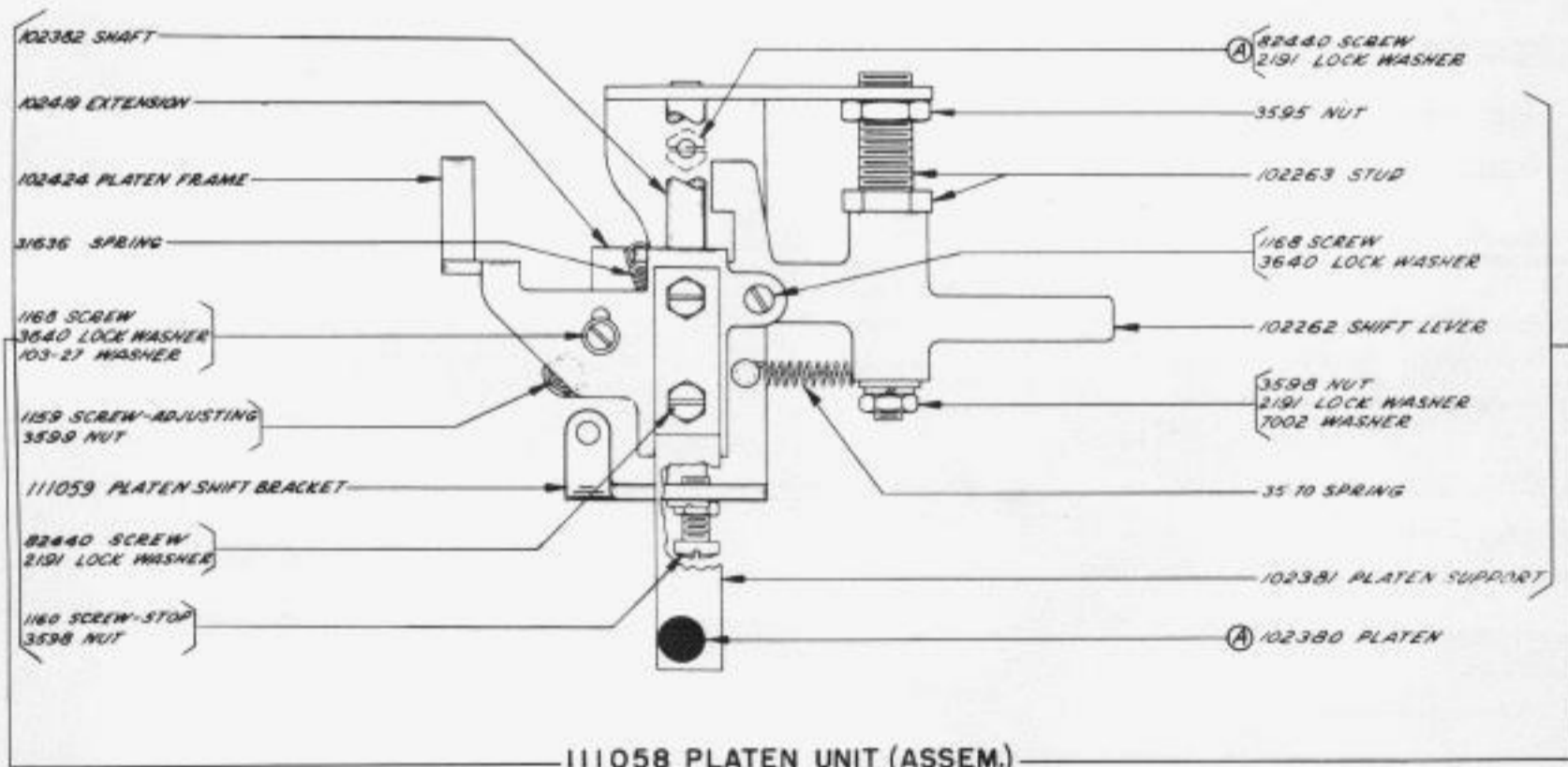


PUNCH ARM (ASSEM.)
(RIGHT END VIEW)

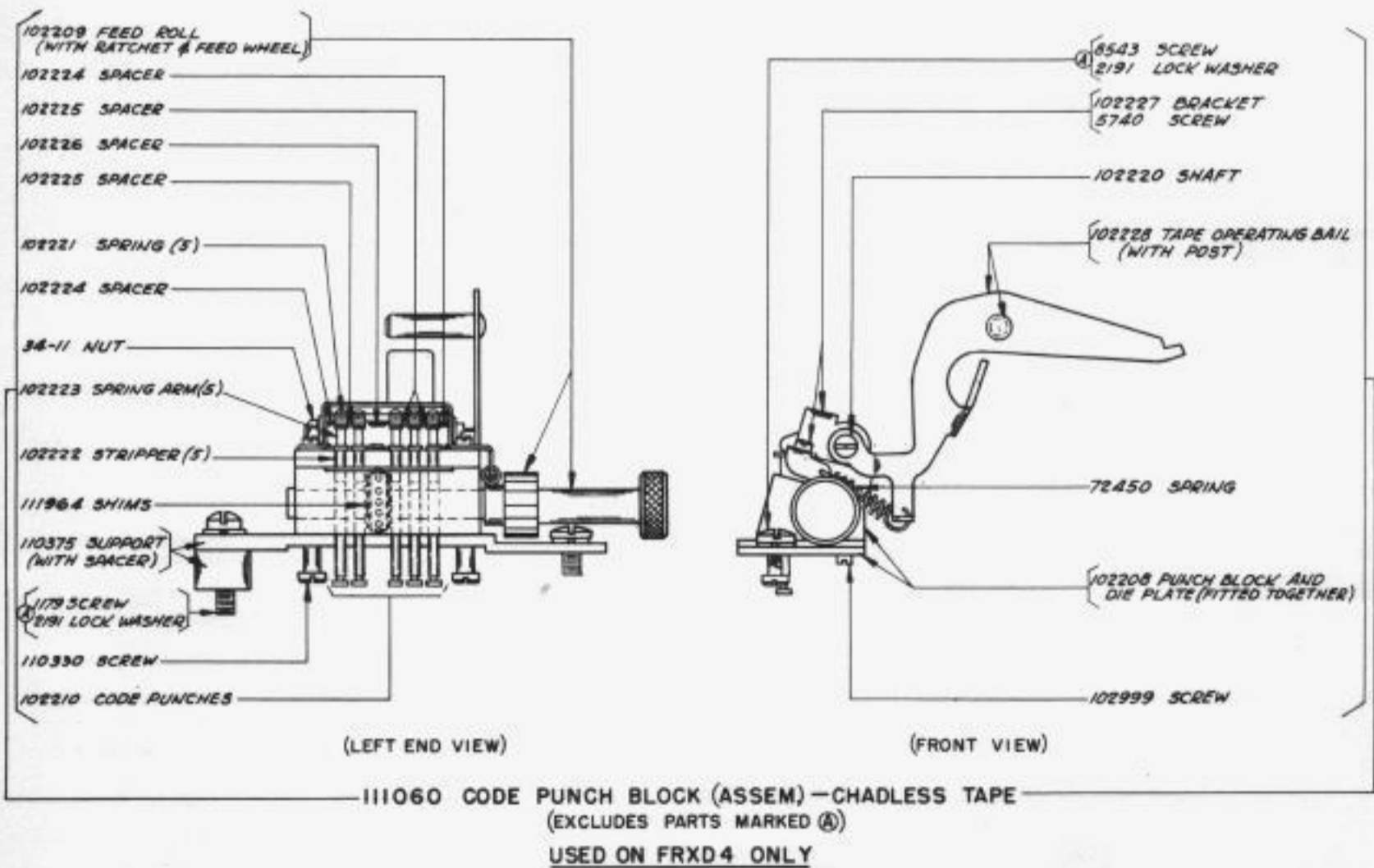
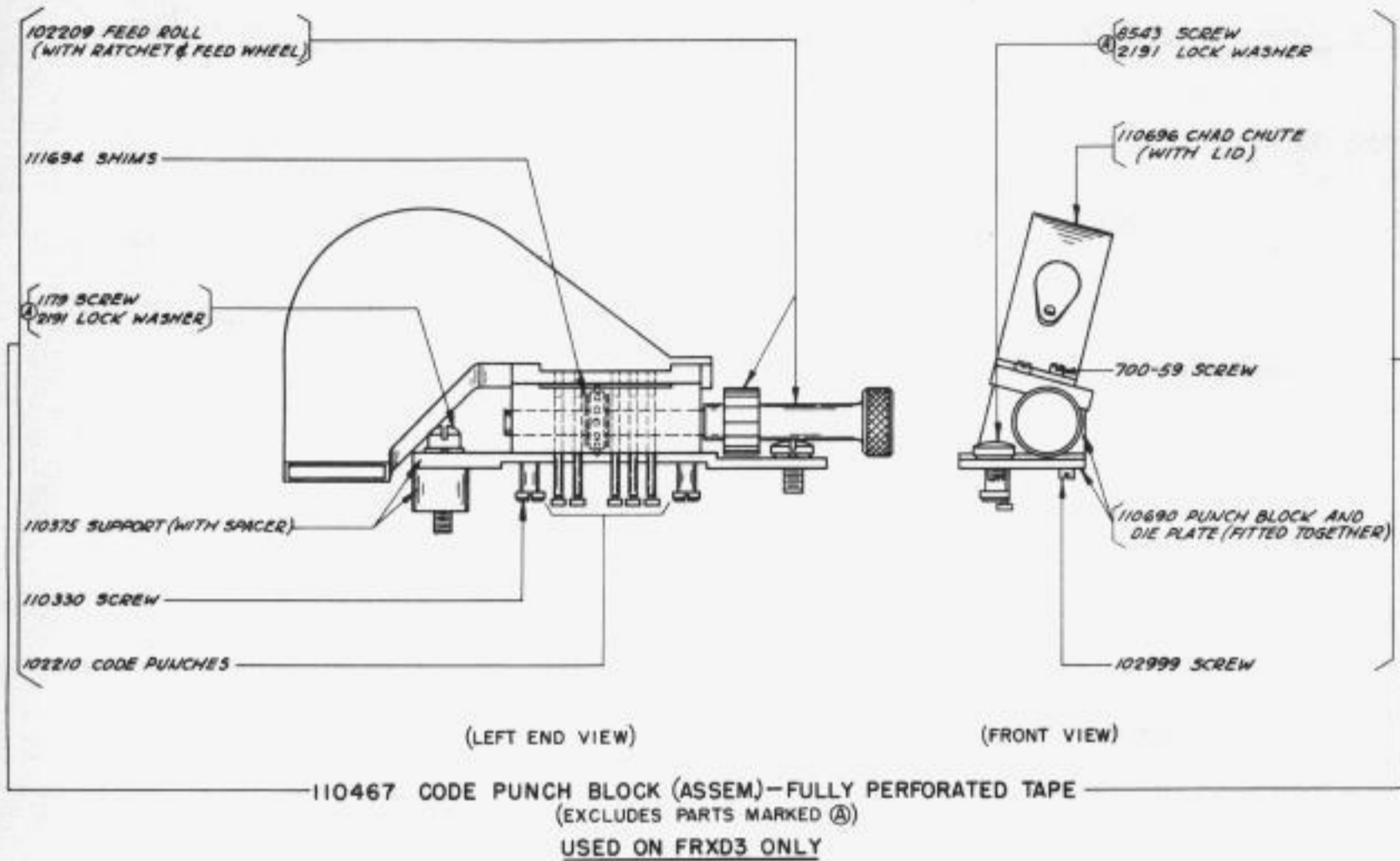
ALL PARTS SHOWN ON THIS PAGE
ARE COMMON TO FRXD3 AND 4.

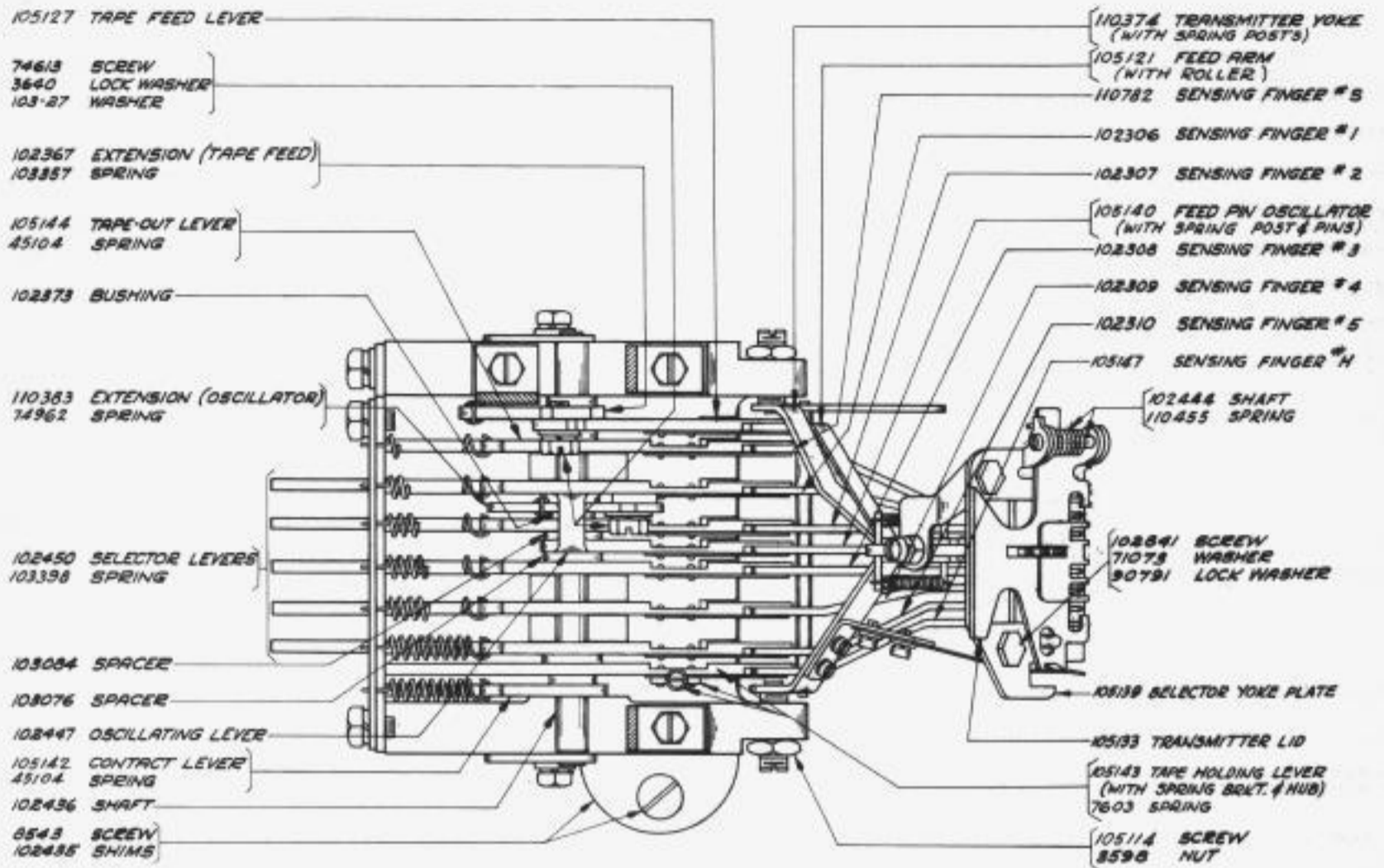


PLATEN SHIFT BAIL (ASSEM.)
(TOP VIEW)
USED ON FRXD4 ONLY

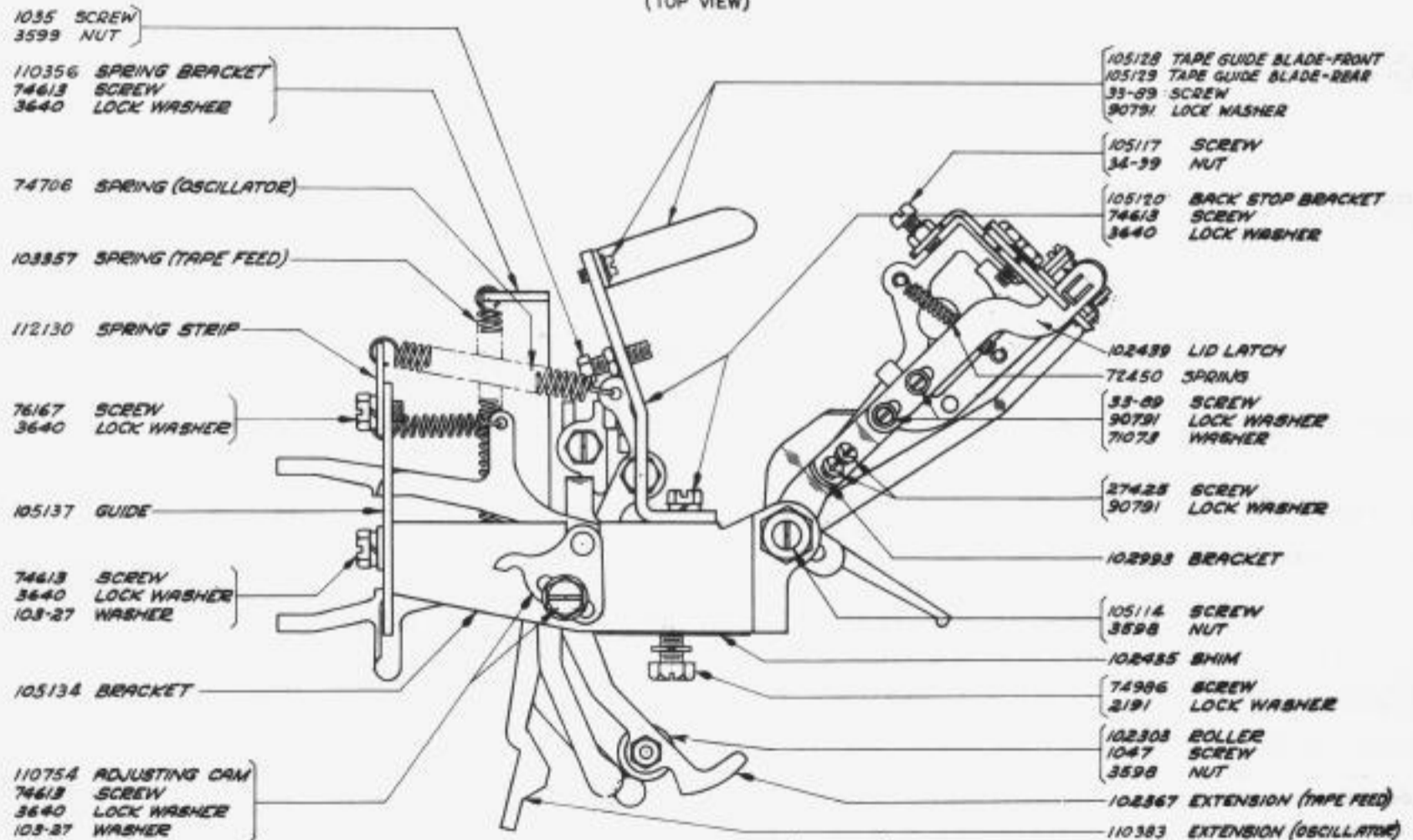


111058 PLATEN UNIT (ASSEM.)
(TOP VIEW)
EXCLUDES PARTS MARKED (A)
USED ON FRXD4 ONLY



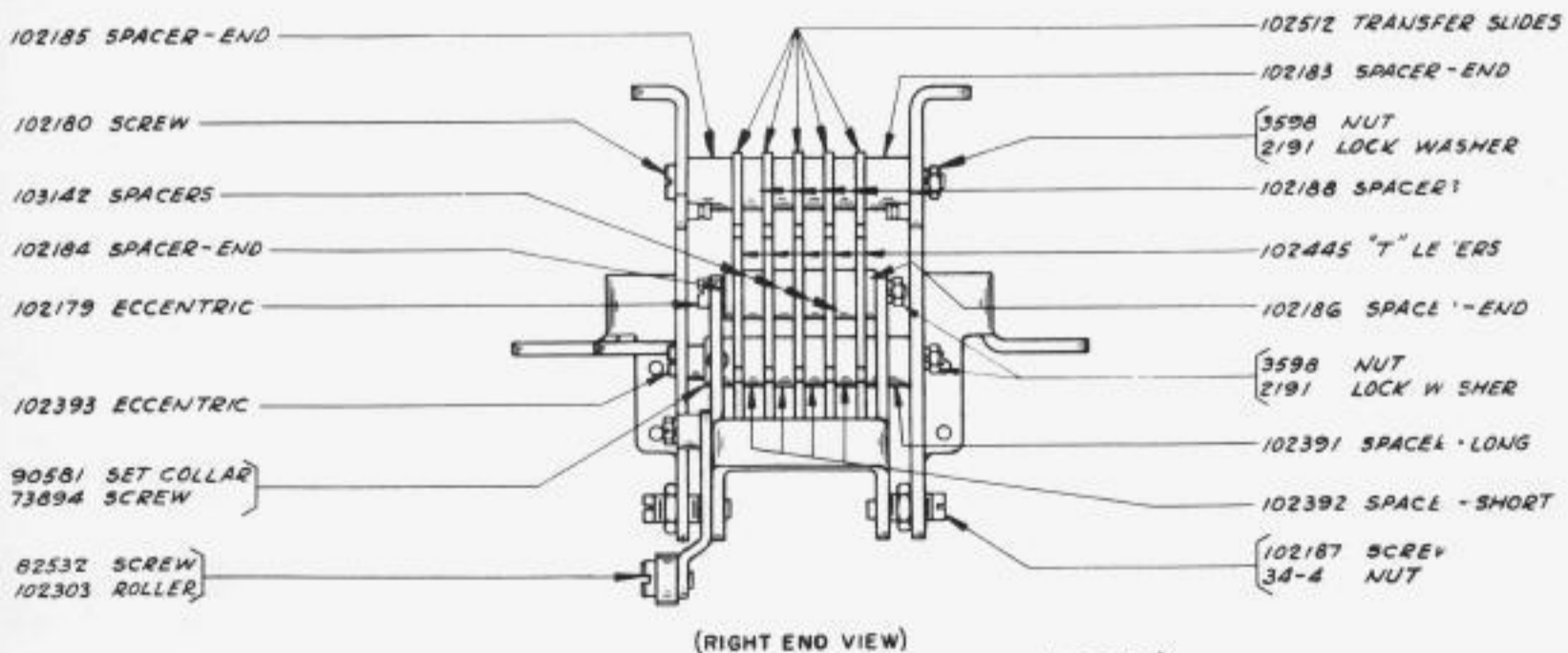
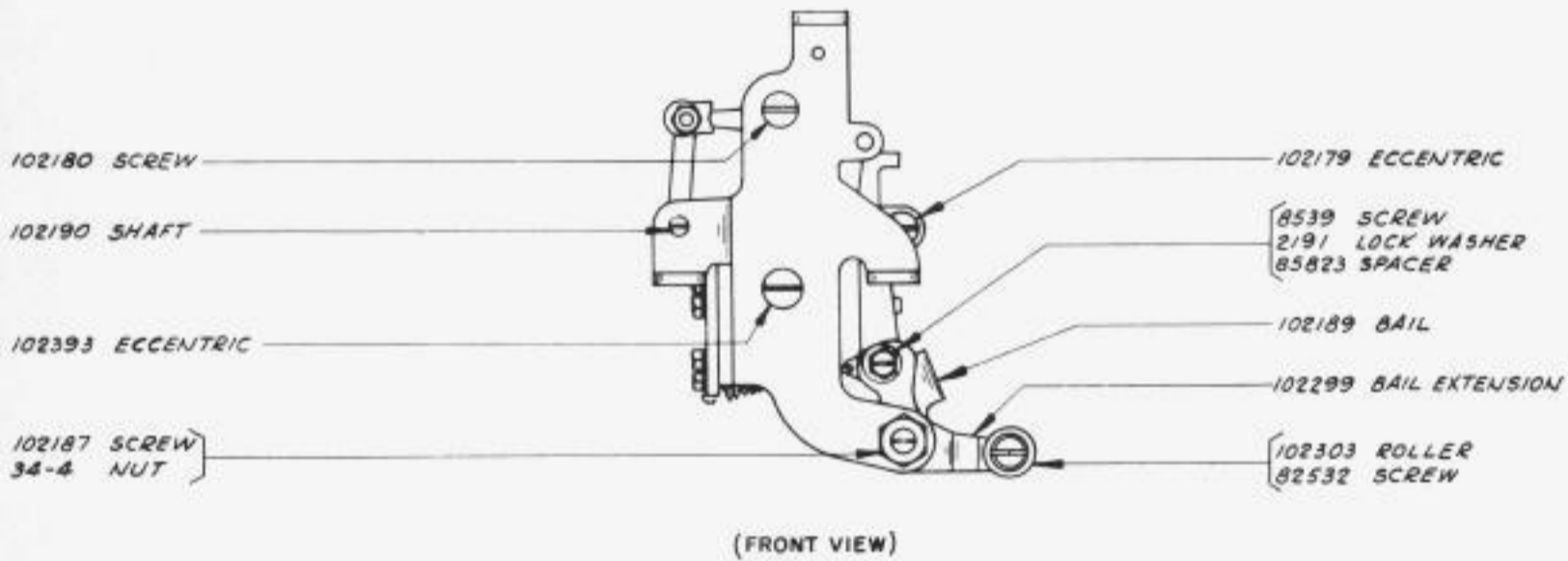
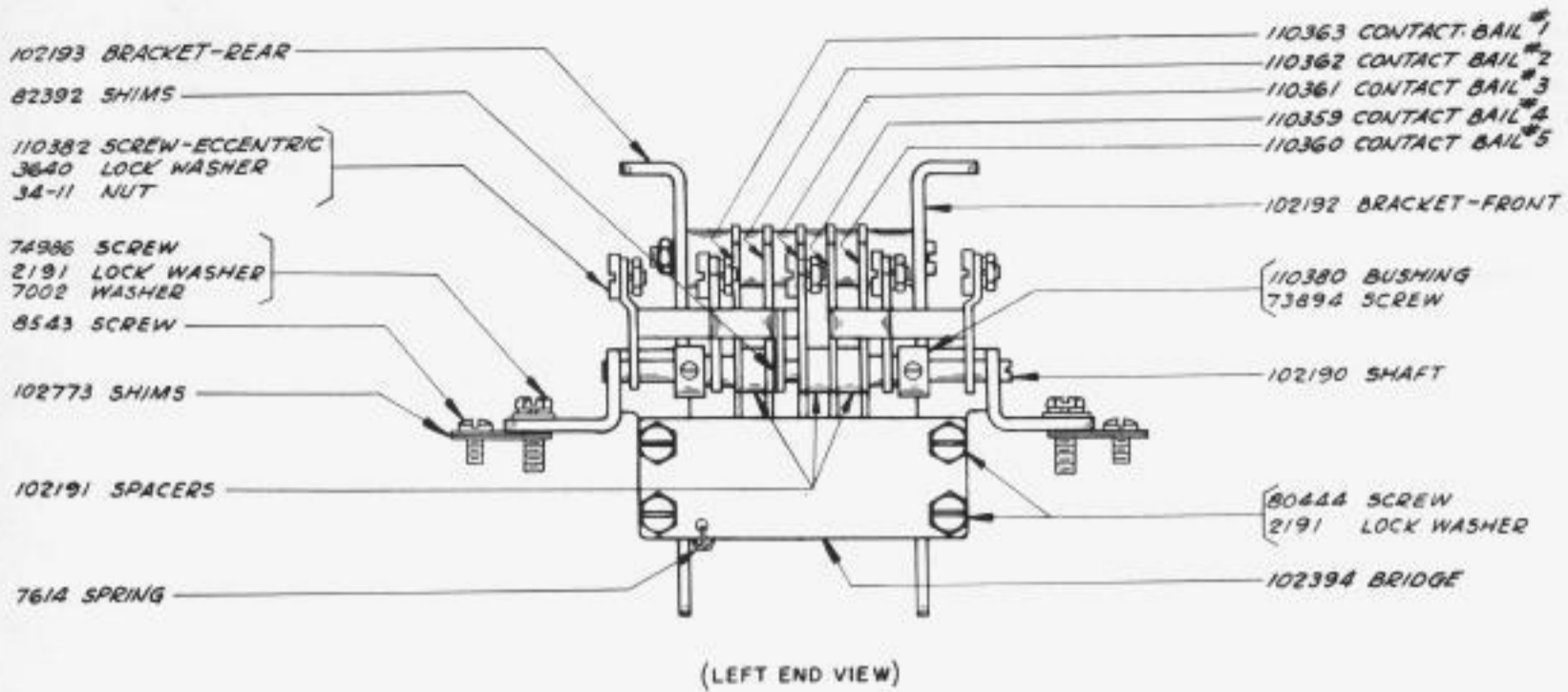


(TOP VIEW)



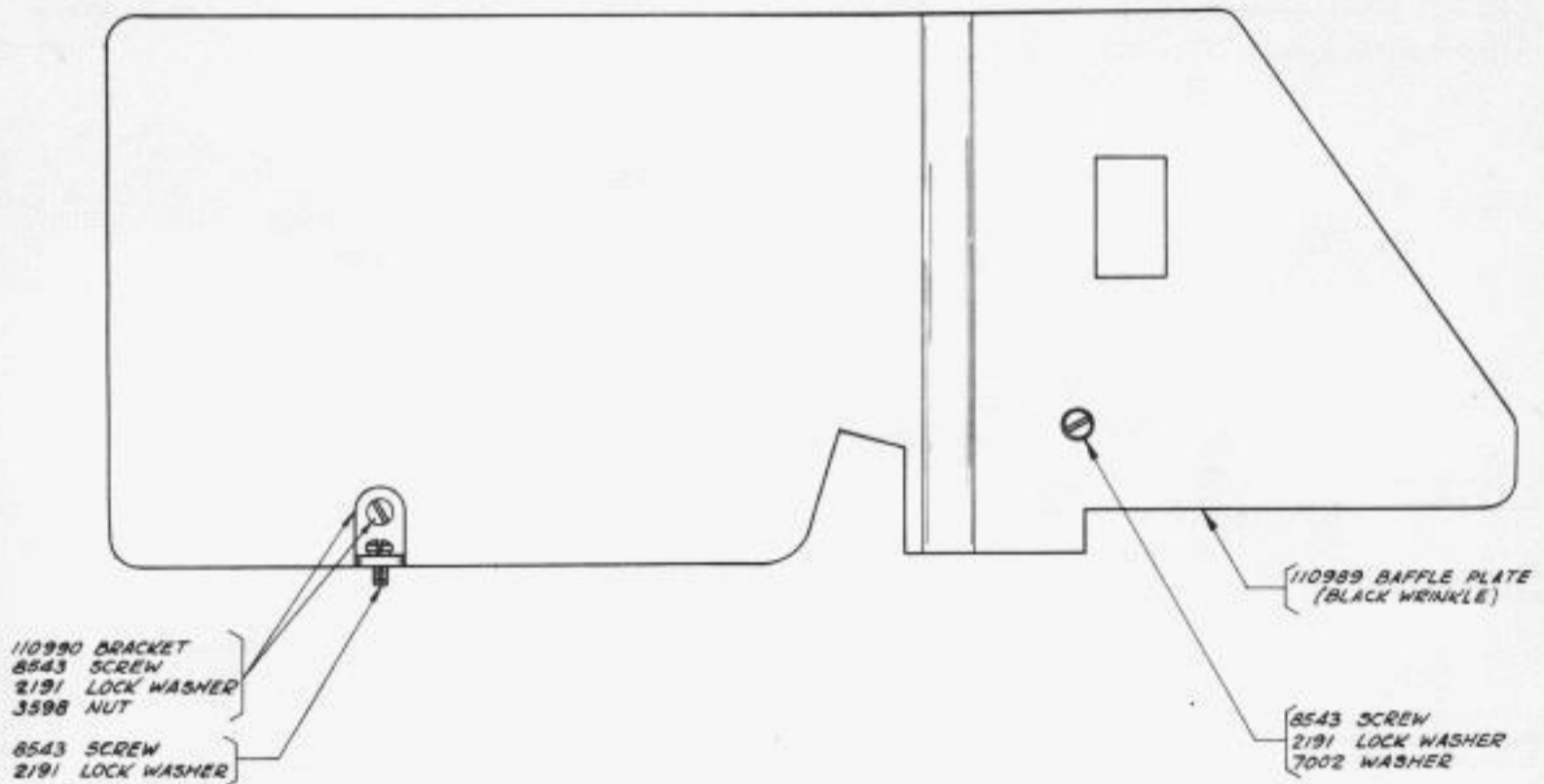
PIVOTED TRANSMITTER (ASSEM.)
(FRONT VIEW)

ALL PARTS SHOWN ON THIS PAGE
ARE COMMON TO FRXD3 AND 4.



TRANSFER SLIDE AND CONTACT BAIL (ASSEM.)

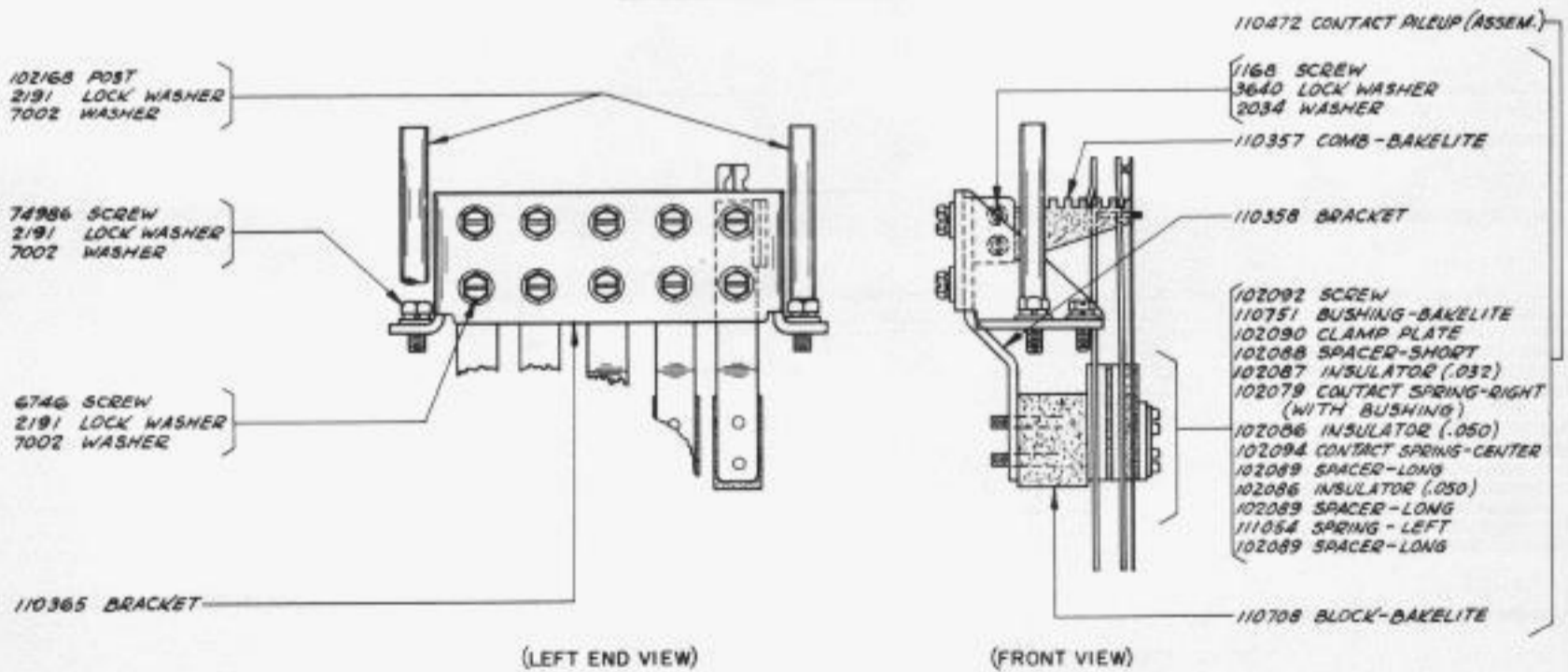
ALL PARTS SHOWN ON THIS PAGE
ARE COMMON TO FRXD3 AND 4.



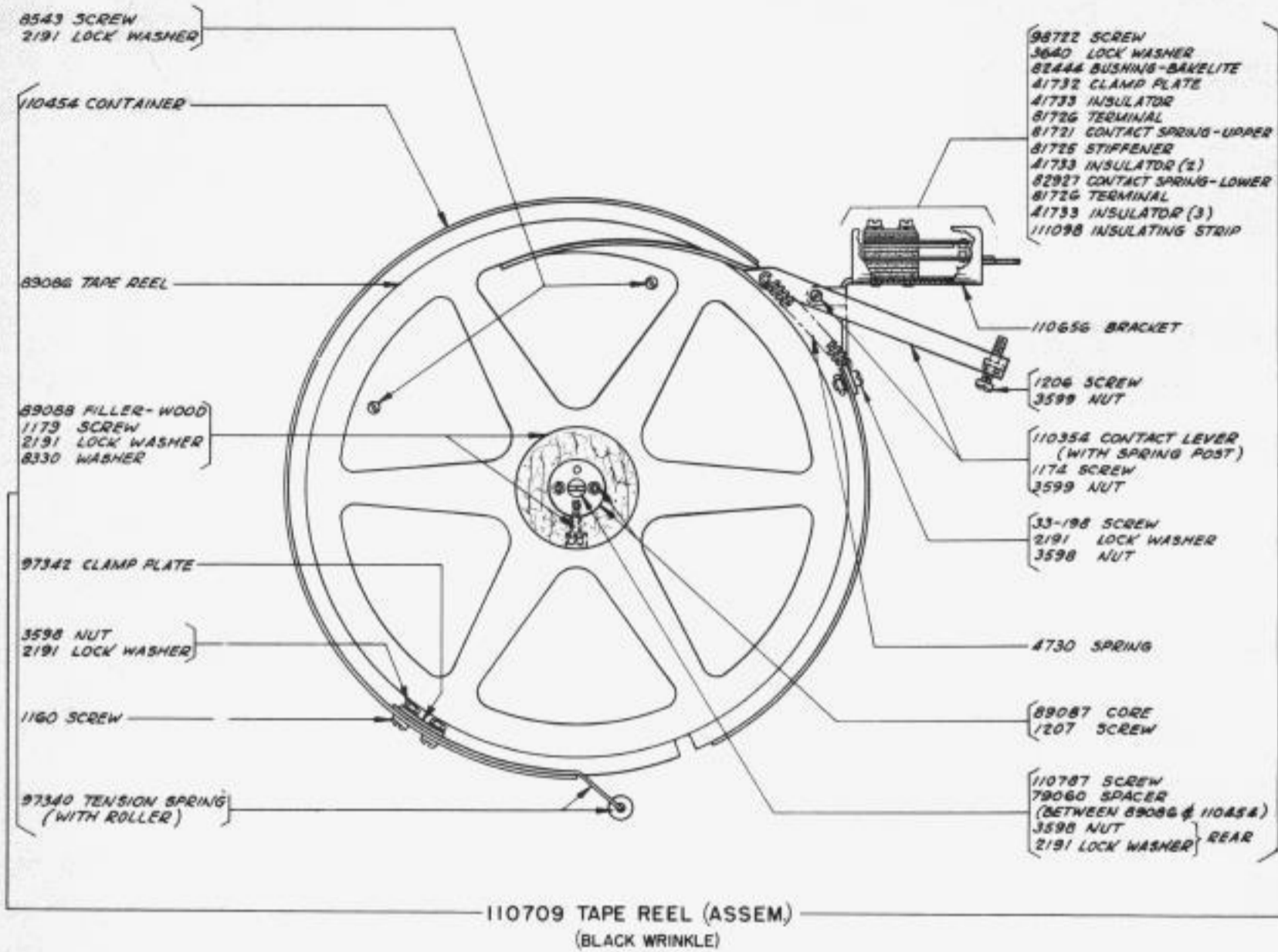
**BAFFLE PLATE
(BLACK WRINKLE)
USED ON FRXD3 ONLY**



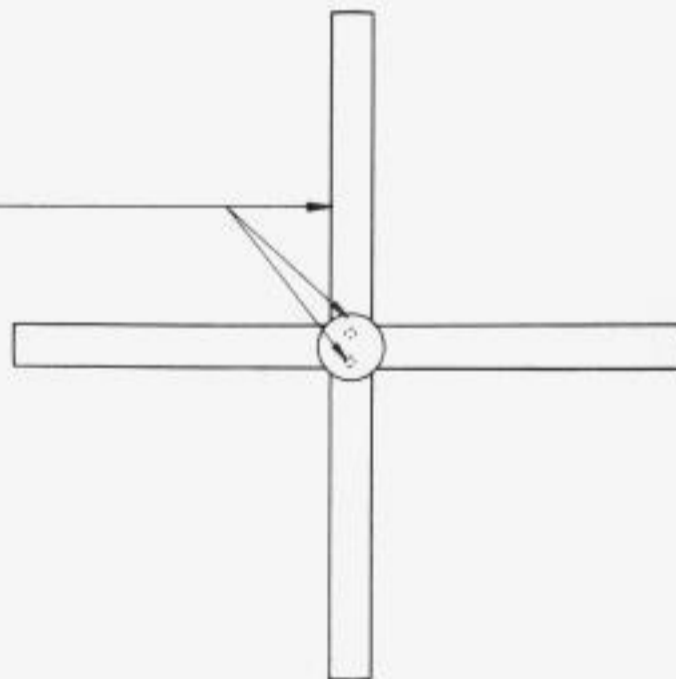
**TAPE PLATFORM
USED ON FRXD3 AND 4**



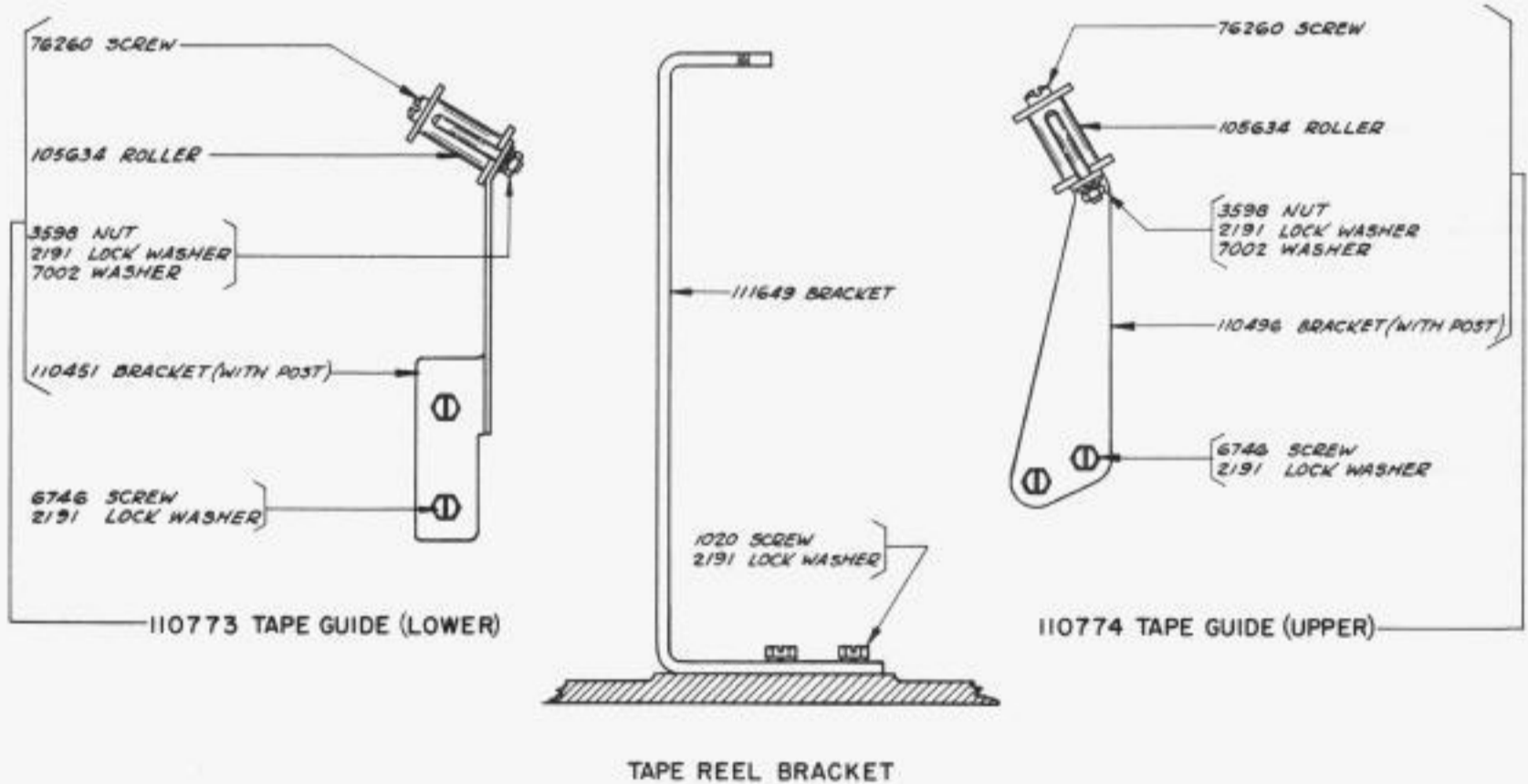
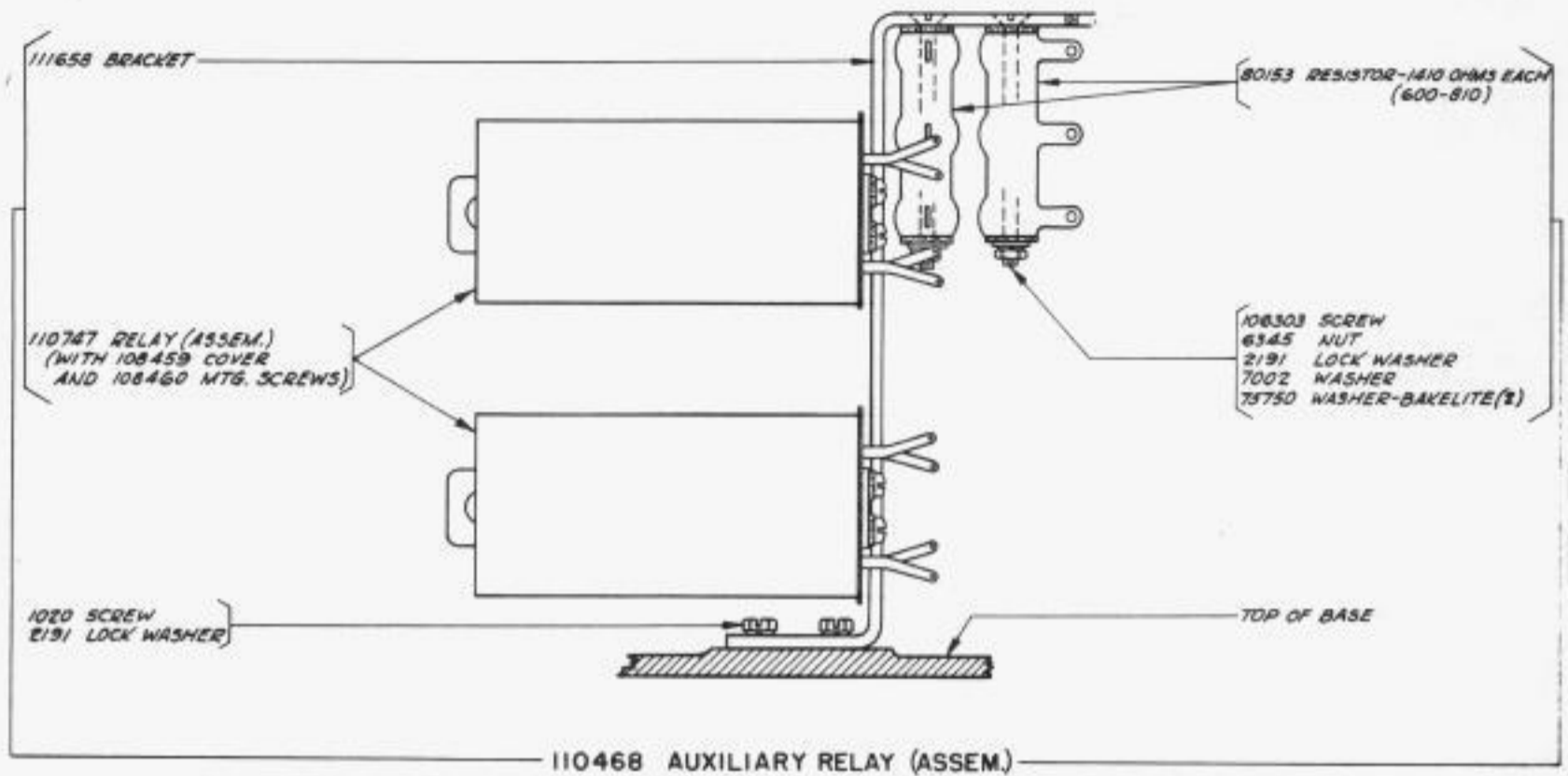
**SENSING CONTACTS BRACKET (ASSEM.)
USED ON FRXD3 AND 4.**



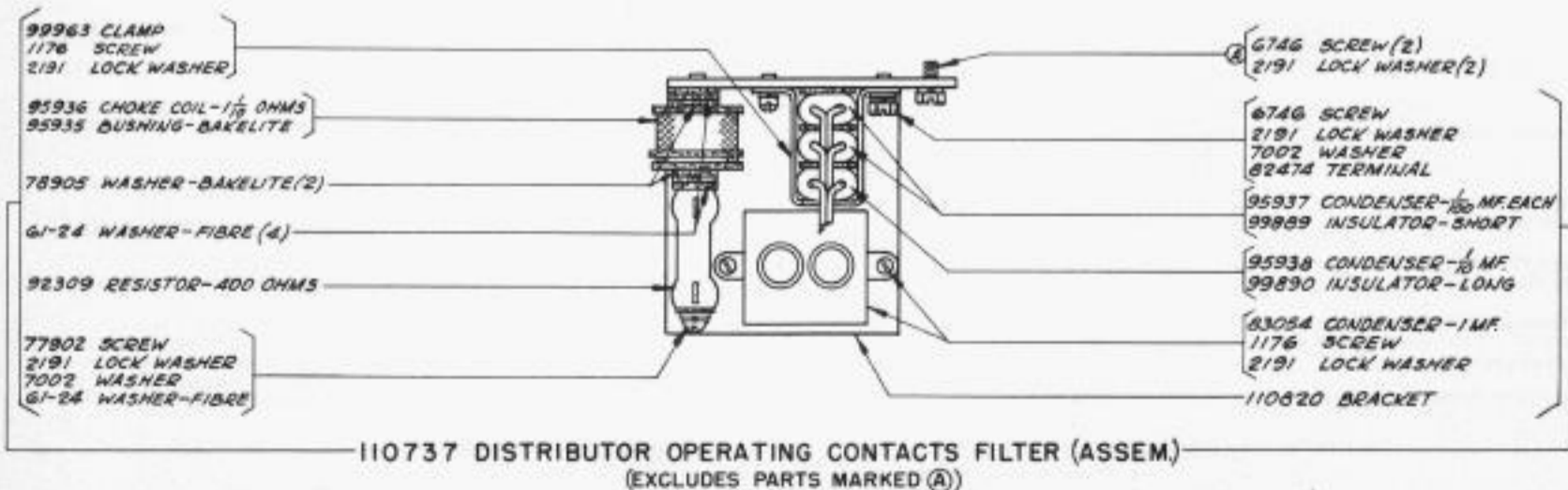
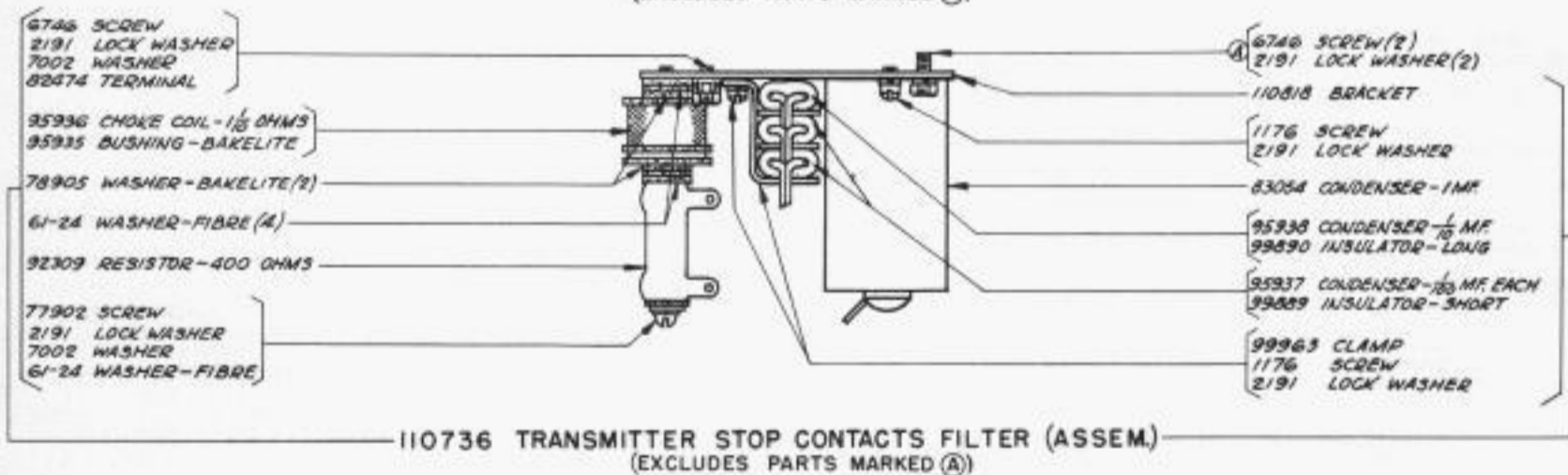
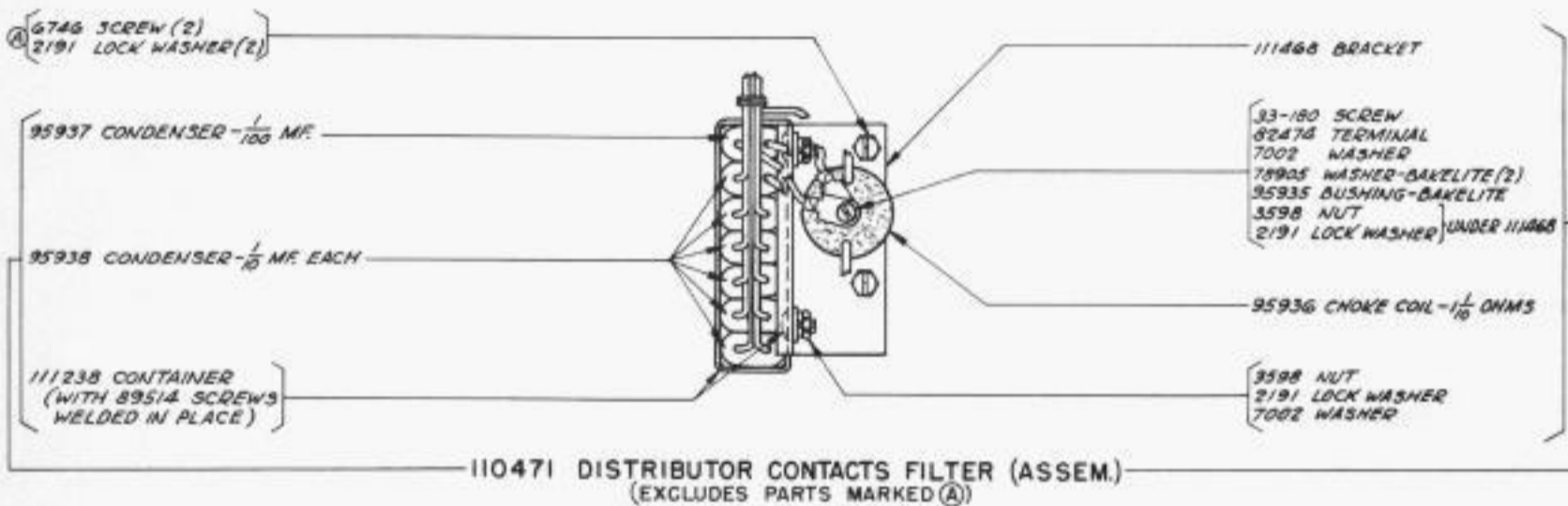
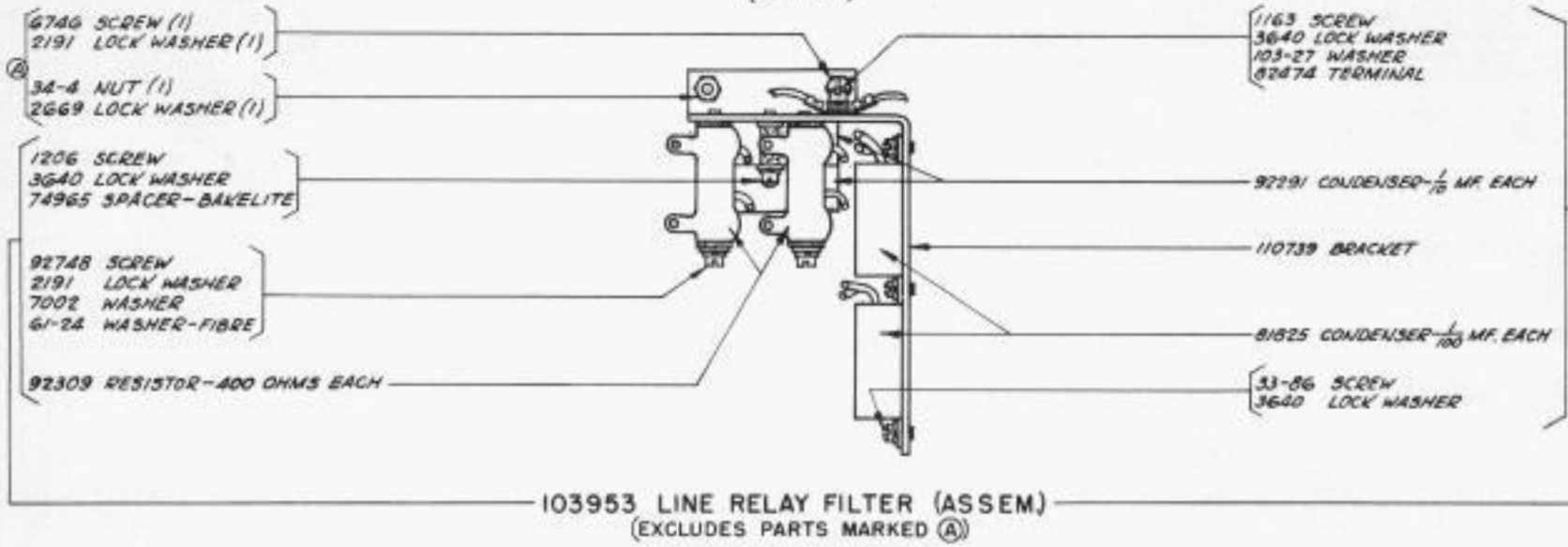
89089 TAPE RETAINER
(WITH KNOB & STUDS)



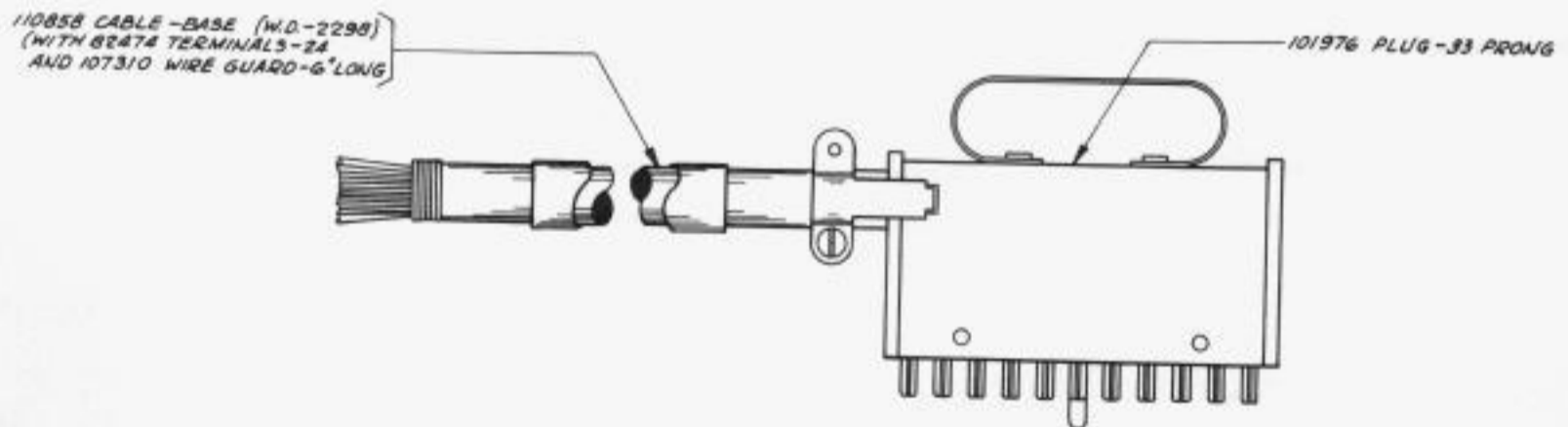
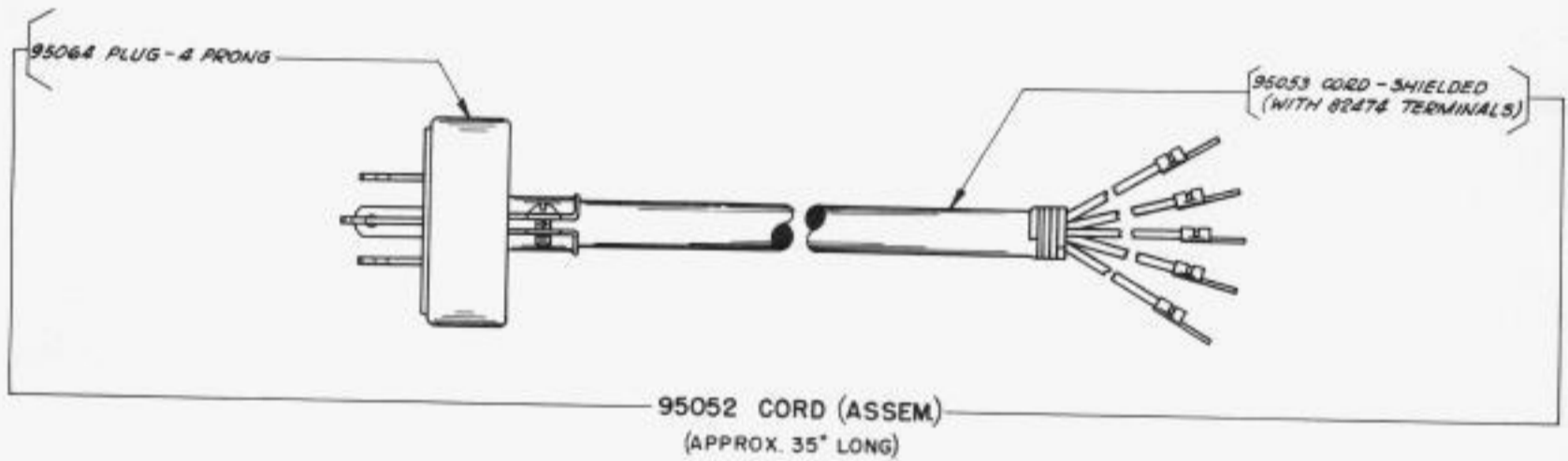
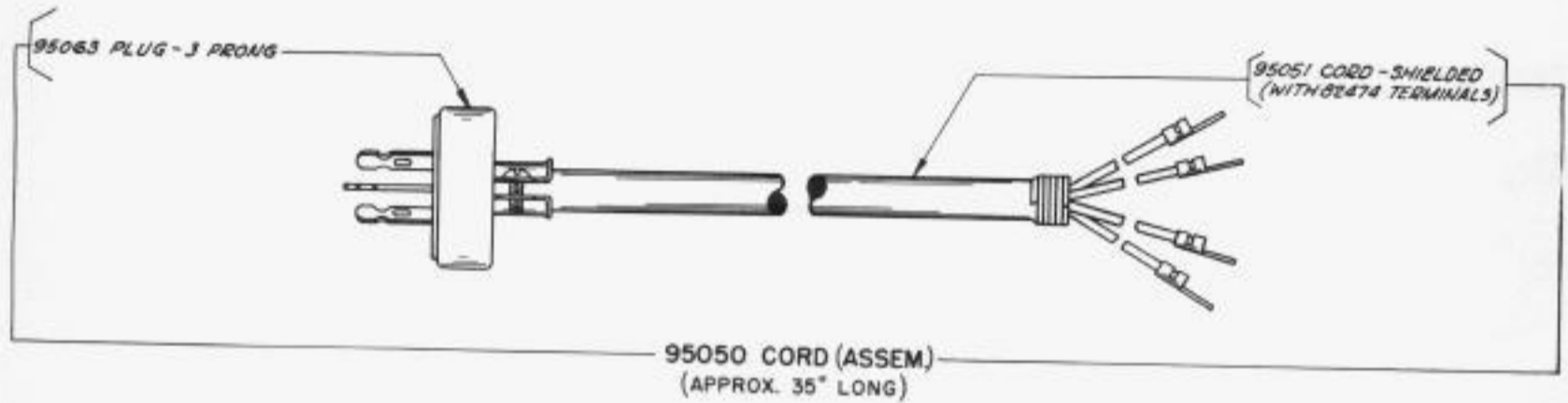
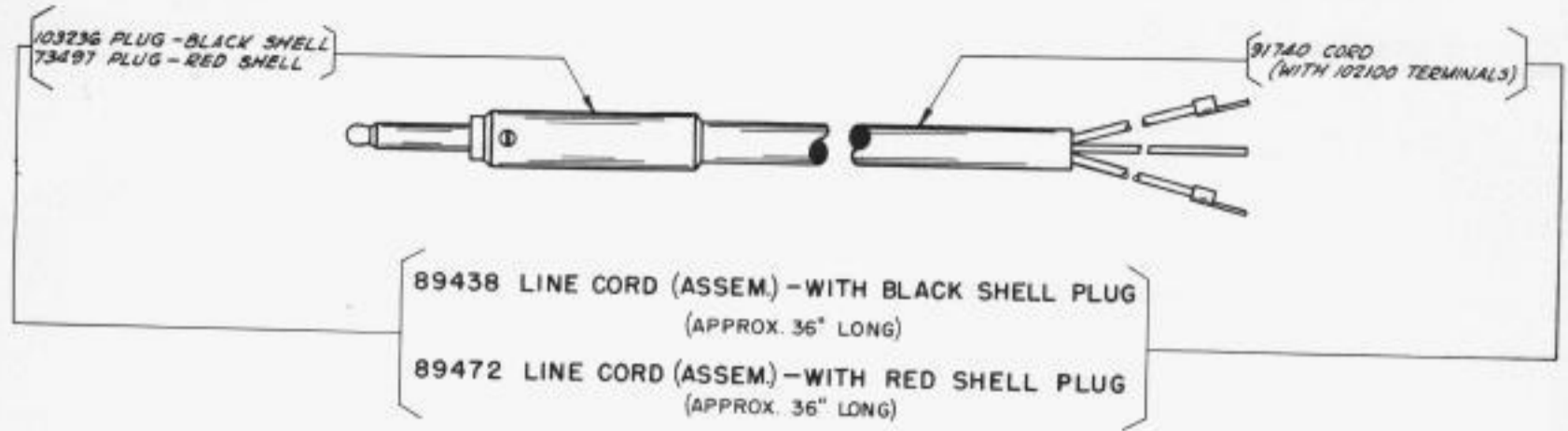
ALL PARTS SHOWN ON THIS PAGE
ARE COMMON TO FRXD3 AND 4.



ALL PARTS SHOWN ON THIS PAGE
ARE COMMON TO FRXD3 AND 4.

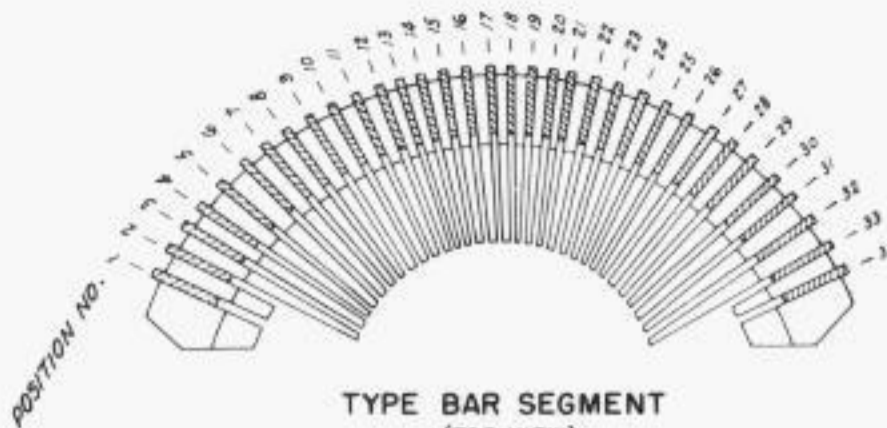


ALL PARTS SHOWN ON THIS PAGE
ARE COMMON TO FRXD3 AND 4.



BASE CABLE AND PLUG

ALL PARTS SHOWN ON THIS PAGE
ARE COMMON TO FRXD3 AND 4.

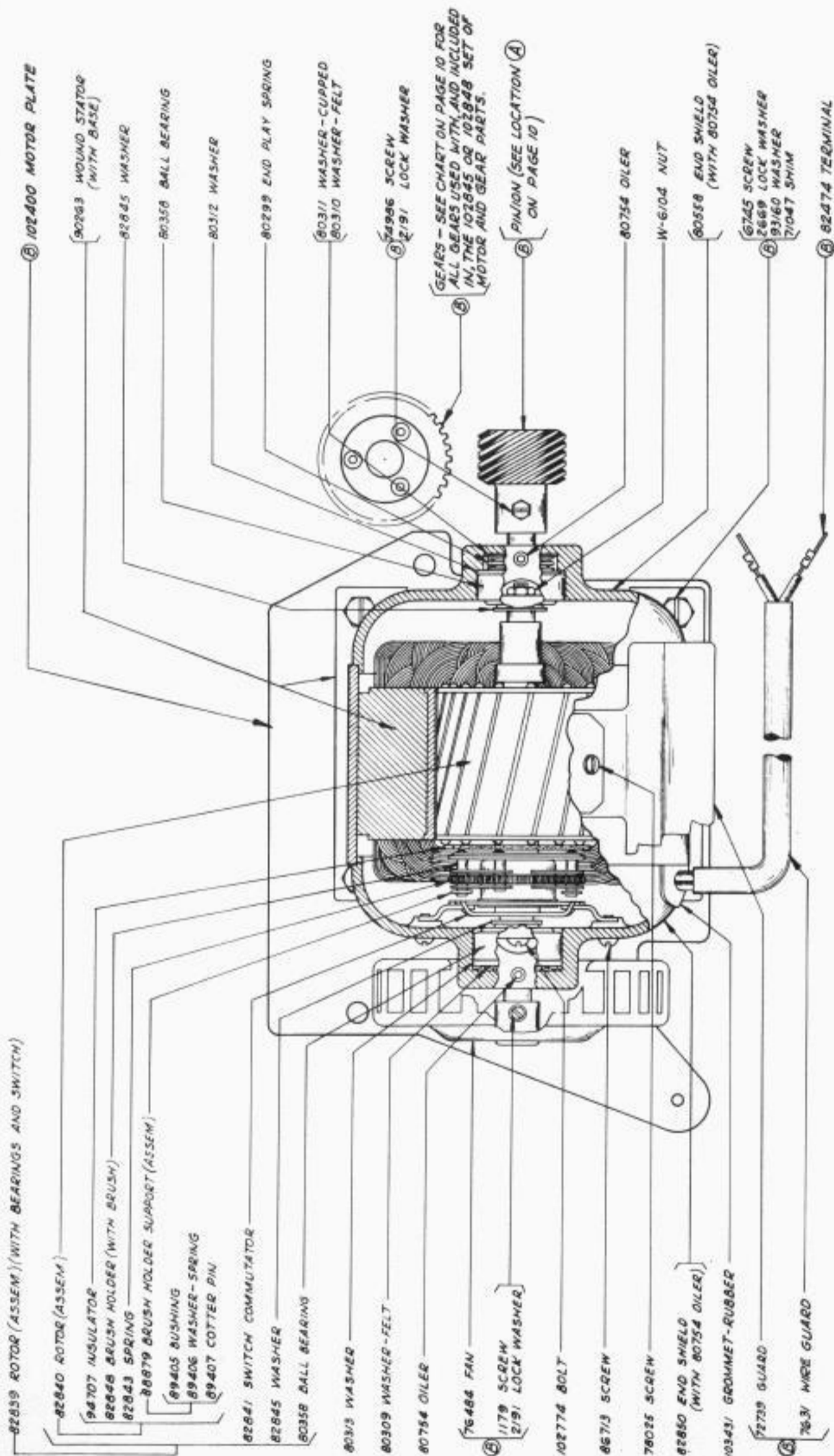


TYPE BAR SEGMENT
(TOP VIEW)

NUMBER OF POSITION IN SEGMENT	PULL & FUNCTION BAR		TYPE BAR (WITHOUT PALLET)		TYPE BAR PALLETS (SEE NOTE (A))		TYPE BAR (WITH PALLET)	PULL & FUNCTION BAR SPRING
	CATALOG NUMBER	DESCRIPTION	CATALOG NUMBER	NUMBER STAMPED ON BAR	CATALOG NUMBER	DESCRIPTION		
1	6916	SPACE	---	---	---	---	---	7965
2	111937	LTRS SHIFT	---	---	---	---	---	7634
OPEN	---	---	---	---	---	---	---	---
4	74185	STANDARD	7421	1	101578	S Q	99031	7634
5	74185	"	7422	2	98941	X /	98968	7634
6	74185	"	7423	3	98915	Q J	98969	7634
7	74185	"	7424	4	98949	V ⊕	98970	7634
8	74185	"	7425	5	98954	G ↘	98973	7634
9	74185	"	7426	6	98916	W 2	98975	7634
10	74185	"	7427	7	98953	F →	98976	7634
11	74185	"	7428	8	98947	C ○	98980	7634
12	74185	"	7429	9	98952	D ↗	98983	7634
13	74185	"	7430	10	98928	R 4	98985	7634
14	74185	"	7431	11	98956	J ✓	98986	7634
15	74185	"	7432	12	98951	A ↑	98990	7634
16	74185	"	7433	13	98931	T 5	98992	7634
17	74185	"	7434	14	98930	E 3	98993	7634
18	74185	"	7435	15	98948	N ⊕	98994	7634
19	74185	"	7436	16	98917	I 8	98998	7634
20	74185	"	7437	17	98933	O 9	98999	7634
21	74185	"	7438	18	98955	H ↓	99000	7634
22	74185	"	7439	19	98958	L ↙	99003	7634
23	74185	"	7440	20	98932	U 7	99006	7634
24	74185	"	7441	21	98904	M •	99007	7634
25	74185	"	7442	22	98929	Y 6	99010	7634
26	74185	"	7443	23	104845	P ∅	104951	7634
27	74185	"	7444	24	98946	B ⊕	99012	7634
28	74185	"	7445	25	98957	K ←	99015	7634
29	74185	"	7446	26	98950	Z +	99018	7634
30	74185	"	7447	27	101582	< <	99032	7634
31	74185	"	7448	28	101583	= =	99033	7634
32	74185	"	7885	29	102655	Y -	---	7634
33	6917	FIG. SHIFT	---	---	---	---	---	7825
34	103310	CODE BAR LOCKING LEVER	---	---	---	---	---	3610

(A) 111069 SET OF TYPE BAR PALLETS (ARRANGEMENT "239")

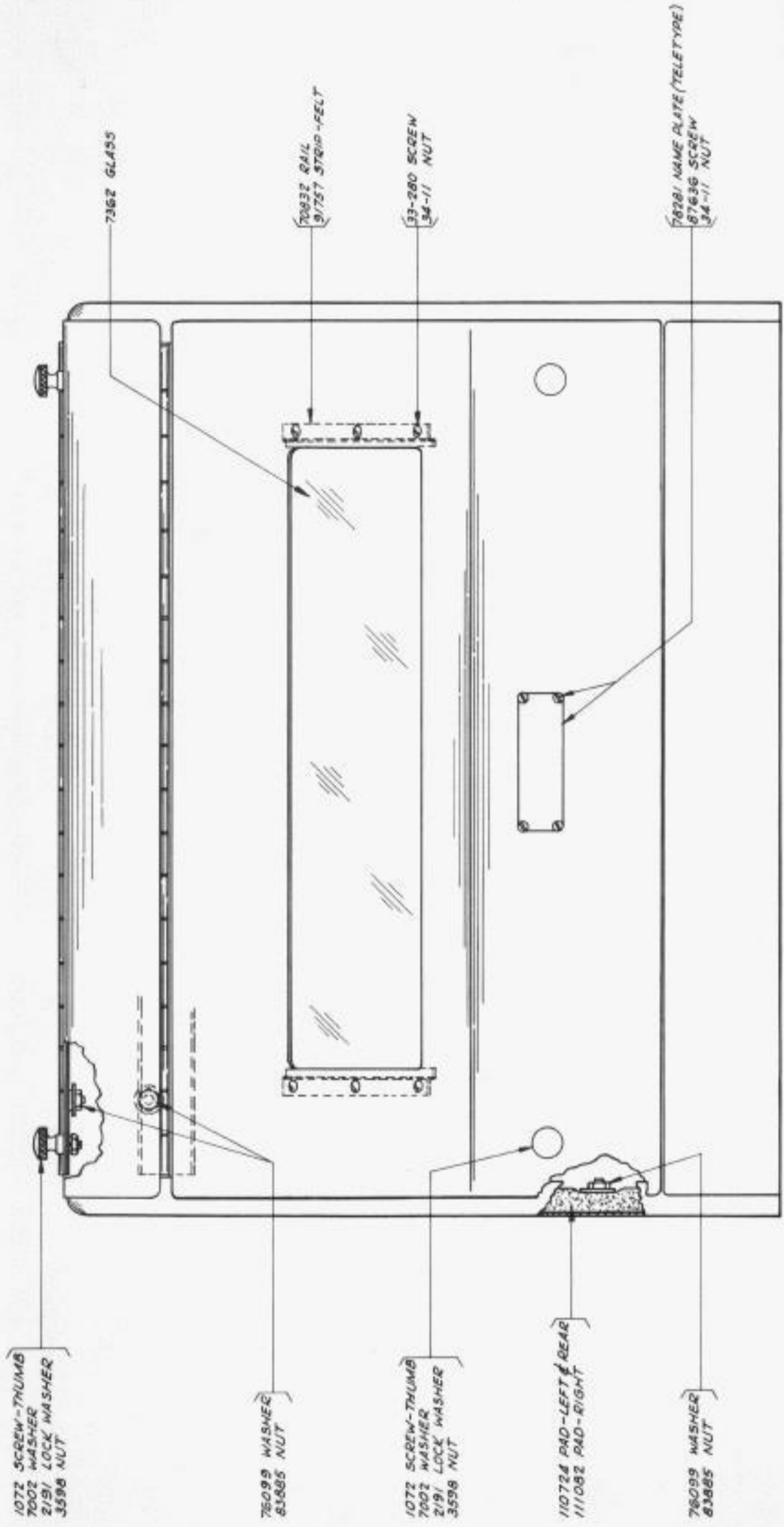
ALL PARTS SHOWN ON THIS PAGE
ARE USED ON FRXD4 ONLY.



82283 SYNCHRONOUS MOTOR, 1/40 H.P. 110 V., 60 CYCLE A.C. (G.E. MODEL 5SH25AB11B) - (EXCLUDES PARTS MARKED (B))

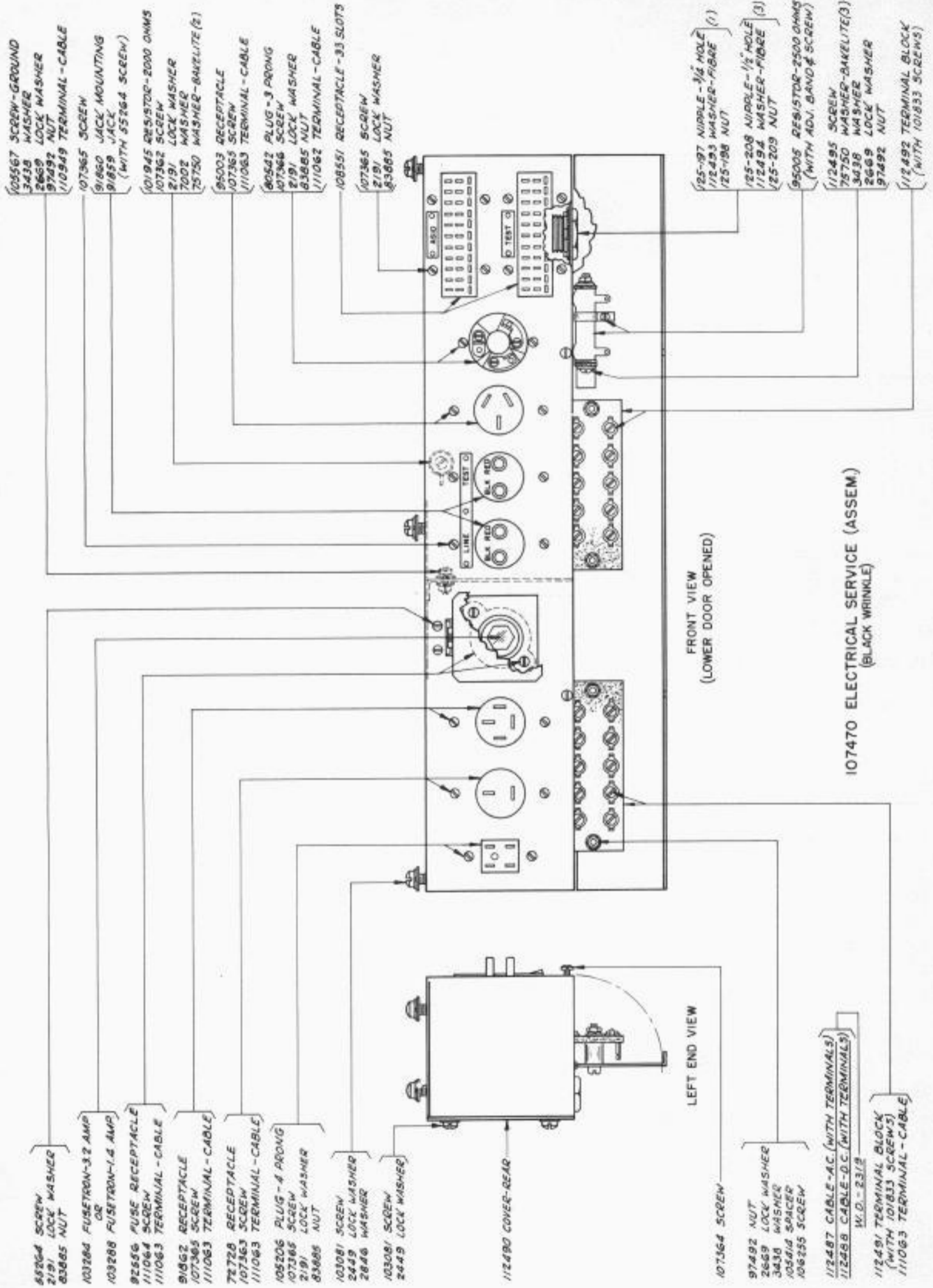
102845 SET OF MOTOR AND GEAR PARTS, INCLUDES 82283 MOTOR AND PARTS MARKED (B)
(MOTOR ARRANGEMENT "EL" - FOR 460 O.P.M. RECEIVING & 460 O.P.M. SENDING)

102848 SET OF MOTOR AND GEAR PARTS, INCLUDES 82283 MOTOR AND PARTS MARKED (B)
(MOTOR ARRANGEMENT "EP" - FOR 368 O.P.M. RECEIVING & 368 O.P.M. SENDING)



C174 COVER (ASSEM) - BLACK WRINKLE
(FRONT VIEW)

USED ON FRXD3 AND 4.



NUMERICAL INDEX

C174	Cover (Assem.) - Black Wrinkle, 28	2191	Lock Washer - 1 to 24, 27, 28, 29	6986	Sleeve, 11
M-207	Magnet Coil, 12	2199	Nut (7/16-32 Hex.), 6	6989	Spring Arm, 11
M-240	Magnet Coil (with 1028 Terminal Screws and 2438 Washer - Brass), 4	2201	Nut (5/16-32 Hex.), 8	6990	Screw (1/4-32 Pilot), 11, 12
W-6104	Nut (.164-36 Hex.), 27	2322	Lock Washer, 11	6993	Spring, 11
33-70	Screw (2-56 x 5/32), 4	2407	Lock Washer, 2	7001	Washer, 9, 12
33-86	Screw (4-40 x 1/8), 24	2422	Lock Washer, 3	7002	Washer, 1, 3 to 10, 12 to 17, 20, 21, 23, 24, 28, 29
33-89	Screw (2-56 x 7/64), 19	2438	Washer - Brass, 4	7007	Trip Plunger, 13
33-180	Screw (6-40 x 31/32), 24	2449	Lock Washer, 2, 6, 7, 29	7018	Bushing, 6, 7
33-185	Screw (6-40 Shoulder), 15	2669	Lock Washer - 1 to 7, 9, 11, 12, 14, 15, 16, 24, 27, 29	7020	Plunger, 6
33-198	Screw (6-40 x 1/4 Set), 22	2840	Spring Post, 11	7021	Bushing, 6
33-227	Screw (4-40 Shoulder), 13	2846	Washer, 29	7022	Reverse Lever - Right, 8
33-280	Screw (2-56 x 3/16), 1, 28	2920	Lock Washer, 6, 7	7023	Reverse Lever - Left, 8
33-288	Screw (10-32 x 1-1/4), 14	3154	Shaft, 11	7024	Reverse Pawl - Right, 8
34-1	Nut (1/4-32 Hex.), 11, 12	3298	Eccentric, 1	7025	Reverse Pawl - Left, 8
34-4	Nut (10-32 Hex.), 1, 6, 7, 11, 14, 15, 16, 20, 24	3329	Oil Cup, 11	7027	Roller, 6
34-11	Nut (2-56 Hex.), 14, 18, 20, 28	3438	Washer, 1, 4, 5, 8, 9, 11, 29	7029	Shaft, 6
34-39	Nut (4-48 Hex.), 19	3571	Bushing - Bakelite, 3	7034	Bushing, 8
34-56	Nut (4-40 Hex.), 13	3595	Nut (1/4-32 Hex.), 2, 14, 15, 16, 17	7067	Collar, 6
35-24	Spring, 14	3597	Nut (5/32-40 Hex.), 14	7068	Bevel Gear - 36T, 6
35-27	Spring, 6	3598	Nut (6-40 Hex.), 3, 4, 5, 8, 9, 12 to 17, 19 to 24, 28	7070	Ribbon Feed Lever, 6
35-70	Spring, 17	3599	Nut (4-40 Hex.), 12 to 15, 17, 19, 22	7362	Glass, 28
35-85	Spring, 4	3606	Nut (6-40 Hex.), 2, 8, 9, 12	7383	Oiler, 2
35-89	Spring, 15, 16	3610	Spring, 7, 10, 26	7391	Clutch - Driven, 2
61-24	Washer - Fibre, 24	3640	Lock Washer, 3, 4, 8, 13 to 17, 19, 20, 21, 24		
103-27	Washer, 3, 14, 15, 17, 19, 24	3646	Lock Washer, 5		
122-102	Spring Eye, 6	3650	Washer - Brass, 1		
122-135	Washer, 15	4502	Insulator, 3		
122-697	Eccentric, 14	4503	Clamping Plate, 3		
122-700	Detent Lever (with Roller), 14	4708	Spring, 12		
123-37	Spring Post, 6	4730	Spring, 22		
123-244	Washer, 12, 15	4809	Oil Wick - Felt, 11		
125-197	Nipple - 3/4" Hole, 29	4813	Oil Wick - Felt, 11		
125-198	Nut (3/4 pipe thd. - Hex.), 29	4814	Lock Washer, 8		
125-208	Nipple - 1/2" hole, 29	4842	Insulator, 3		
125-209	Nut (1/2-14 Pipe Thd. - Hex.), 29	5363	Spring, 8		
200-1348	Washer, 6	5475	Nut (3/16-40 Hex.), 12		
700-59	Screw (2-56 x 1/8), 18	5740	Screw (2-56 x 1/4), 18		
1020	Screw (6-40 x 1/4), 23	6345	Nut (6-32 Hex.), 22		
1026	Screw (6-40 x 3/8), 1, 14, 15, 16	6685	Selector Sword, 12		
1028	Screw (4-40 x 1/4), 1, 4	6686	"T" Lever, 12		
1030	Screw (6-40 Shoulder), 13	6689	Separator Plate, 12		
1035	Screw (4-40 x 3/8), 19	6743	Operating Arm, 11		
1038	Screw (6-40 x 9/32), 14	6745	Screw (10-32 x 1/2), 1 to 4, 9, 11, 27		
1047	Screw (6-40 Shoulder), 4, 19	6746	Screw (6-40 x 5/16), 1, 3 to 7, 9 to 14, 16, 17, 21, 23, 24		
1064	Screw (6-32 x 1/4), 5	6787	Washer, 9		
1072	Screw (6-40 Thumb), 28	6796	Screw (6-40 x 5/16), 6, 7, 9		
1073	Screw (6-40 Thumb), 13	6799	Screw (6-40 x 27/32), 13, 17		
1100	Screw (1/4-32 Pilot), 11	6800	Screw (6-40 Shoulder), 6, 8, 11		
1159	Screw (4-40 x 3/8), 17	6801	Screw (4-40 Pilot), 13		
1160	Screw (6-40 x 5/16), 3, 15, 16, 17, 22	6805	Screw (6-40 Shoulder), 8		
1162	Screw (4-40 x 1/4), 3, 4, 8, 15, 16	6807	Screw (6-40 Special), 6, 14		
1163	Screw (4-40 x 3/16), 24	6810	Screw (10-32 x 3/8), 1		
1168	Screw (4-40 x 5/16), 1, 17, 21	6811	Screw (6-40 x 5/8), 6, 11, 12		
1172	Screw (2-56 x 5/16), 14	6825	Spring Bracket - Long, 10		
1174	Screw (4-40 Shoulder), 13, 15	6826	Spring Bracket - Short, 10		
1176	Screw (6-40 x 3/16), 5, 14, 24	6827	Connecting Block (Assem.), 5		
1179	Screw (6-40 x 5/8), 18, 22, 27	6834	Ribbon Reverse Bail, 6		
1206	Screw (4-40 x 9/16), 3, 22, 24	6843	Bracket, 6		
1207	Screw (4-36 x 5/16 Flat Head), 22	6859	Bushing, 9, 15		
1222	Screw (2-56 x 5/8), 3	6861	Washer - felt, 11		
1223	Screw (10-32 x 1/2), 6, 7	6863	Cam Sleeve Disc, 11		
1245	Screw (10-32 x 1), 11	6874	Roller, 11		
1269	Screw (6-40 x 1/2), 4, 17	6909	Stop Pawl, 13		
1297	Screw (6-40 Special), 5	6916	Pull Bar - Space, 10, 26		
2034	Washer, 21	6917	Pull Bar - Figs., 26		
		6918	Link, 8		
		6952	Plunger Sleeve, 6, 7		
		6955	Backstop, 9		
		6965	Fulcrum Rod, 9		
		6966	Eccentric Stop, 13		
		6969	Main Bracket, 6, 7		
		6971	Clutch Lever, 11		
		6972	Back Stop (Assem.), 9		
		6985	Main Bail Lever (with Spring Post), 11		
				7421	Type Bar - Without Pallet #1, 26
				7422	#2, 26
				7423	#3, 26
				7424	#4, 26
				7425	#5, 26
				7426	#6, 26
				7427	#7, 26
				7428	#8, 26
				7429	#9, 26
				7430	#10, 26
				7431	#11, 26
				7432	#12, 26
				7433	#13, 26
				7434	#14, 26
				7435	#15, 26
				7436	#16, 26
				7437	#17, 26
				7438	#18, 26
				7439	#19, 26
				7440	#20, 26
				7441	#21, 26
				7442	#22, 26
				7443	#23, 26
				7444	#24, 26
				7445	#25, 26
				7446	#26, 26
				7447	#27, 26
				7448	#28, 26
				7484	Code Bar Post, 9
				7529	Spring, 6
				7602	Spring, 13
				7603	Spring, 13, 19
				7607	Collar, 13
				7610	Main Shaft Bracket (with 70838 Bearing Bracket, 6811 Screw, and 2191 Lock Washer), 11
				7614	Spring, 12, 15, 20
				7615	Spring, 11
				7631	Wire Guard, 27
				7634	Spring, 26
				7654	Shim - .004" Thick, 4
				7659	Spring, 6
				7824	Oil Wick - Felt, 11
				7825	Spring, 26
				7835	Ribbon Spool (With Black Ribbon), 8
				7885	Type Bar #29, 26
				7965	Spring, 10, 26
				8157	Selector Lever - Right, 12
				8158	Selector Lever - Left, 12
				8330	Washer, 1, 2, 14, 22
				8449	Spacer, 7, 17
				8493	Pawl, 6
				8499	Shaft (with Ratchet and Detent), 6

NUMERICAL INDEX

8539	Screw (6-40 x 1/2), 7, 8, 11, 12, 14, 20	74969	Bushing, 8	83054	Condenser - 1 M.F., 24
8543	Screw (6-40 x 1/4), 2, 3, 15, 18 to 22	74986	Screw (6-40 x 13/32), 19, 20, 21, 27	83408	Screw (4-40 x 3/16), 1
8671	Screw (6-40 Shoulder), 3	75226	Wick - Felt, 6, 7	83439	Shims, 13
8896	Shims, 15	75229	Spring, 8	83885	Nut (6-32 Hex.), 28, 29
27425	Screw (.086-56 x 5/32), 19	75231	Bushing - Bakelite, 5	84023	Spring, 14
31636	Spring, 8, 13, 17	75517	Pull Bar Guide, 9	84233	Full Bar Stripper, 9
34432	Washer, 4, 13	75607	Shim - .010" Thick, 4	85318	Washer - Leather, 2
41732	Clamping Plate, 3, 4, 22	75750	Washer - Bakelite, 5, 23, 29	85389	Eccentric, 1
41733	Insulator, 3, 4, 22	76099	Washer, 28	85823	Spacer, 20
41974	Spring, 17	76167	Screw (4-40 x 3/16), 14, 19	86713	Screw (4-48 x 5/16), 27
45104	Spring, 19	76168	Screw (6-40 x 3/16), 9	86742	Nut (4-40 Hex.), 13
49313	Spring, 14	76260	Screw (6-40 Shoulder), 23	86919	Locking Plate, 14
49420	Spring, 4	76275	Clamp Plate, 6, 7	86920	Star Wheel, 14
55264	Screw (6-32 x 3/8), 29	76379	Spring, 14	87636	Screw (2-56 x 3/16), 28
70073	Nut (3-48 Hex.), 6	76484	Fan, 27	87901	Screw (2-56 x 1/8 Flat Head), 9
70529	Stiffener, 4	76790	Bushing - Bakelite, 4	87932	Nut (8-32 Hex.), 5
70593	Oil - Plug, 2	77362	Resistor - 350 Ohms, 5	87933	Washer, 5
70793	Washer, 8	77902	Screw (6-40 x 2-3/8), 24	88879	Brush Holder Support (Assem.), 27
70796	Ribbon Spool Cup, 8	77955	Washer, 9	88945	Gear - 24T, 10
70832	Rail, 28	78025	Screw (4-48 x 3/16), 27	89086	Tape Reel, 22
70838	Bearing Bracket, 11	78163	Selector Post, 12	89087	Core, 22
70871	Spring Bracket - Right, 8, 10	78164	Selector Post, 12	89088	Filler - Wood, 22
71047	Shims, 3, 9, 27	78244	Oil Cup, 6, 7	89089	Tape Retainer (with Knob and Studs), 22
71073	Washer, 12, 14, 19	78281	Name Plate (Teletype), 28	89405	Bushing, 27
71266	Washer, 8	78301	Screw (10-32 x 5/8), 1, 4, 6, 7, 9, 11, 14	89406	Washer - Spring, 27
71681	Ribbon Spool (Empty), 8	78509	Gear - 30T, 10	89407	Cotter Pin, 27
71697	Clamping Plate, 13	78510	Pinion - 7T, 10	89438	Line Cord (Assem.) with Black Shell Plug, 25
71976	Stop Pawl Plate, 13	78596	Washer, 13	89472	Line Cord (Assem.) with Red Shell Plug, 25
72450	Spring, 18, 19	78597	Screw (10-32 Shoulder), 13	89548	Contact Spring, 5
72468	Spring, 14	78905	Washer - Bakelite, 24	89896	Oil Cup, 2
72508	Screw (6-40 x 3/4), 4, 15	79060	Spacer, 22	89897	Nut (10-32 Hex.), 2
72513	Driving Disc, 11	79494	Spacer, 8	89906	Posts, 9
72514	Spring, 11	79523	Screw (2-56 x 29/32), 5	89969	Washer - Bakelite, 5
72515	Nut (5/16-32 Hex.), 11	80153	Resistor - 1410 Ohms (600-810), 23	90024	Retainer, 12
72517	Nut (5/16-32 L.H. Hex. - Keyed), 11	80299	End Play Spring, 27	90043	Armature Bracket, 12
72521	Oil Wick - Felt, 11	80309	Washer - Felt, 27	90069	Detent Post, 12
72522	Oil Wick - Felt, 11, 16	80310	Washer - Felt, 27	90088	Trip Latch, 13
72555	Screw (6-40 Set), 12	80311	Washer - Cupped, 27	90117	Screw (6-40 Shoulder), 17
72562	Clutch - Driving, 11	80312	Washer, 27	90263	Wound Stator (with Base), 27
72563	Washer - Felt, 11	80313	Washer, 27	90265	Screw (6-40 Special), 12
72579	Washer, 11	80334	Terminal, 3	90438	Button - Felt, 2
72644	Ball Bearing, 11	80342	Screw (6-40 x 23/64), 6, 7, 8	90505	Locking Lever, 12
72728	Receptacle, 29	80358	Ball Bearing, 27	90507	Top Plate, 12
72739	Guard, 27	80402	Screw (4-40 x 15/32), 4	90508	Spring Arm, 12
72883	Washer - Felt, 11	80444	Screw (6-40 x 1/4), 1, 12, 16, 20	90509	Detent, 12
72884	Disc, 11	80471	Spring, 2	90510	Spring, 12
72885	Spring, 11	80542	Plug - 3 Prong, 29	90511	Screw (6-40 x 13/16), 12
73018	Oil Cup, 2, 16	80558	End Shield, 27	90512	Bracket, 12
73107	Bushing, 11	80754	Oiler, 27	90513	Screw (6-40 Eccentric), 12
73481	Tape Tension Lever, 14	81721	Contact Spring - Upper, 22	90514	Screw (3/16-40 Pivot), 12
73497	Plug - Red Shell, 25	81725	Stiffener, 22	90516	Selector Arm, 12
73670	Terminal Block (with 1028 Terminal Screws and 3650 Washer - Brass), 1	81726	Terminal, 4, 22	90517	Spring, 12
73894	Screw (6-40 Set), 8, 20	81825	Condenser - 1/100 M.F., 24	90518	Locking Wedge, 12
74006	Bushing, 6, 7	81841	Condenser - 1/4 M.F. (with 87932 Nuts and 87933 Washers), 5	90519	Screw (2-56 x 5/32), 12
74008	Roller, 6, 7	82283	Synchronous Motor, 1/40 H.P., 110 V., 60 Cycle, A.C. (G.E. Model 5SH25AB11B), 10, 27	90520	Armature Lever, 12
74014	Screw (10-32 x 3/4), 2	82284	Resistor - 70 Ohms (50-20), 5	90524	Screw (4-40 x 17/32), 12
74026	Spacer, 1	82392	Shim, 14, 20	90581	Set Collar, 20
74185	Pull Bar - Standard, 26	82440	Screw (6-40 x 7/16), 1, 3, 11, 12, 14, 17	90752	Washer - Felt, 11
74286	Bail Guide, 6, 7	82444	Bushing - Bakelite, 3, 22	90760	Range Scale (Assem.), 13
74301	Screw (10-32 x 5/8), 15, 16	82474	Terminal, 24, 25, 27	90774	Bell Crank, 13
74334	Washer - .035" Thick, 4, 6, 7	82515	Connecting Block, 5	90775	Range Scale (with Bell Crank Mounting), 13
74385	Gear - 30T, 8	82516	Retaining Spring, 5	90791	Lock Washer, 12, 14, 19
74399	Screw (6-40 Pilot), 12	82532	Screw (6-40 Shoulder), 20	91120	Spring, 12
74502	Clutch - Driven, 11	82769	Cable Clamp, 1	91218	Selector Mounting Plate (with Posts), 12
74554	Spring Post, 14, 15	82839	Rotor (Assem.) (with Bearings and Switch), 27	91265	Cam Sleeve (Assem.), 11
74613	Screw (4-40 x 1/4), 19	82840	Rotor (Assem.), 27	91266	Retaining Disc, 11
74614	Resistor - 2600 Ohms (2000-600), 5	82841	Switch Commutator, 27	91683	Nut (15/32-32 Hex.), 1
74706	Spring (Oscillator), 19	82843	Spring, 27	91684	Nut (15/32-32 Ring), 1
74722	Washer, 12	82845	Washer, 27	91740	Cord (with 102100 Terminals), 25
74805	Screw (10-32 x 3/4), 15	82848	Brush Holder (With Brush), 27	91757	Strip - Felt, 28
74821	Resistor - 2810 Ohms (2000-810), 5	82850	End Shield (with 80754 Oiler), 27	91859	Jack, 29
74952	Screw (4-40 x 5/8), 3	82927	Contact Spring - Lower, 22	91860	Jack Mounting (with 55264 Screw), 29
74962	Spring, 19				
74965	Bushing - Bakelite, 3, 24				

NUMERICAL INDEX

91862	Receptacle, 29	98950	{ Z + }	} 26	101970	Stud, 15, 16
91899	Type Bar Segment (with 89906 Posts), 9	98951	{ A ↑ }		101971	Shaft, 16
92204	Cable Clamp, 1	98952	{ D ↗ }		101973	Punch Arm, 16
92273	Magnet Core, 12	98953	{ F → }		101974	Bracket, 16
92291	Condenser - 1/10 M.F., 24	98954	{ G ↘ }		101976	Plug - 33 Prong, 25
92309	Resistor - 400 Ohms, 24	98955	{ H ↓ }		101984	Tape Guide Bracket, 15
92556	Fuse Receptacle, 29	98956	{ J ↙ }		101986	Punch Bail, 15, 16
92748	Screw (6-40 x 1-7/16), 24	98957	{ K ← }	101987	Punch Selector Finger, 15, 16	
93160	Washer, 27	98958	{ L ↖ }	101988	Spring Bracket, 15, 16	
94267	Pinion - 7T, 10		Type Bar (With Pallet)	101989	Punch Bail Extension, 15	
94665	Screw (6-40 Shoulder), 4	98968	#2 { X ↗ }	101990	Detent Lever Plate, 15	
94669	Screw (4-40 Shoulder), 15	98969	#3 { Q 1 }	101992	Screw (1/4-32 Pilot), 15, 16	
94707	Insulator, 27	98970	#4 { V ⊙ }	101993	Clamp Plate, 15	
95003	Receptacle, 29	98973	#5 { G ↘ }	101994	Spring Post, 15, 16	
95005	Resistor - 2500 Ohms (with Adjusting Band and Screw), 29	98975	#6 { W 2 }	101995	Detent Lever (with Roller), 15	
95050	Cord (Assem.), 25	98976	#7 { F → }	101996	Feed Pawl, 15	
95051	Cord - Shielded (with 82474 Terminals), 25	98980	#8 { C ⊙ }	101997	Punch Bail Arm, 15, 16	
95052	Cord (Assem.), 25	98983	#9 { D ↗ }	101998	Spacer, 16	
95053	Cord - Shielded (with 82474 Terminals), 25	98985	#10 { R 4 }	101999	Stud, 16	
95063	Plug - 3 Prong, 25	98986	#11 { J ↙ }	102000	Bell Crank #1, 16	
95064	Plug - 4 Prong, 25	98990	#12 { A ↑ }	102001	Bell Crank #2, 16	
95411	Bell Crank #1, 15	98992	#13 { T 5 }	102002	Bell Crank #3, 16	
95412	Bell Crank #2, 15	98993	#14 { E 3 }	102003	Bell Crank #4, 16	
95413	Bell Crank #3, 15	98994	#15 { N ⊙ }	102004	Bell Crank #5, 16	
95414	Bell Crank #4, 15	98998	#16 { I 8 }	102010	Gear - 24T, 10	
95415	Bell Crank #5, 15	98999	#17 { O 9 }	102011	Gear - 14T, 10	
95416	Bushings, 15	99000	#18 { H ↓ }	102012	Gear - 18T, 10	
95417	Separators, 15	99003	#19 { L ↘ }	102013	Gear - 22T, 10	
95418	Stud, 15	99006	#20 { U 7 }	102020	Plunger, 4	
95436	Separators, 15	99007	#21 { M • }	102021	Lever Stud, 3	
95438	Nut (6-40 Special), 15	99010	#22 { Y 6 }	102022	Spacer, 11	
95459	Stud, 16	99012	#24 { B ⊙ }	102023	Bearing Bushing, 2	
95461	Code Bar #1J, 9	99015	#25 { K ↑ }	102025	Retaining Plate, 2, 3	
95462	Code Bar #2J, 9	99018	#26 { Z + }	102027	Spring Post, 3	
95463	Code Bar #3J, 9	99031	#1 { S ⊙ }	102028	Spring Post, 4	
95464	Code Bar #4J, 9	99032	#27 { < < }	102029	Gear Hub, 3	
95465	Code Bar #5J, 9	99033	#28 { ≡ ≡ }	102032	Shaft, 4	
95467	Reverse Arm - Right, 8	99744	Resistor - 8000 Ohms, 5	102033	Spacer - Long, 3	
95473	Collar, 12	99745	Line and Selector Jack (Assem.), 5	102034	Spacer - Short, 3	
95493	Roller, 16	99802	Clamp Plate, 5	102035	Gear - 24T, 10	
95935	Bushing - Bakelite, 24	99803	Insulator (.094), 5	102036	Gear - 47T, 10	
95936	Choke Coil - 1-1/10 Ohms, 24	99804	Insulator (.062), 5	102041	Gear - 30T, 10	
95937	Condenser - 1/100 M.F., 24	99805	Plunger - Bakelite, 5	102042	Gear - 28T, 10	
95938	Condenser - 1/10 M.F., 24	99806	Bracket, 5	102045	Main Shaft, 11	
96258-BK	Wire, 5	99807	Contact Spring, 5	102056	Main Bail Plunger, 6, 7	
96763	Shims - .012", 11	99809	Contact Spring, 5	102058	Contact Lever, 3	
96764	Shims - .016", 11	99889	Insulator - Short, 24	102063	Clutch Lever - Left, 4	
96765	Shims - .020", 11	99890	Insulator - Long, 24	102064	Clutch Lever - Right, 4	
96837	Bearing, 14	99963	Clamp, 24	102074	Shaft Bearing - Rear, 2	
96838	Pivot Bracket, 15, 16	100032	Spring Post, 1	102076	Bearing Bracket - Front, 3	
96889	Post, 15	100421	Bushing - Bakelite, 4	102079	Contact Spring - Right (with Bushing), 21	
97292	Link, 12	101083	Spring, 11	102086	Insulator (.050), 21	
97317	Clamping Plate, 12	101436	Main Bail Cam, 11	102087	Insulator (.032), 21	
97340	Tension Spring (with Roller), 22	101578	Type Bar Pallet (S ⊙), 26	102088	Spacer - Short, 21	
97342	Clamp Plate, 22	101582	Type Bar Pallet (< <), 26	102089	Spacer - Long, 21	
97492	Nut (10-24 Hex.), 29	101583	Type Bar Pallet (≡ ≡), 26	102090	Clamp Plate, 21	
98150	Oiler - Felt, 6, 7	101833	Screw (8-32 x 5/16), 29	102092	Screw (6-40 x 1-9/16), 21	
98151	Clip, 6, 7	101886	Prepunch Bracket, 14	102094	Contact Spring - Center, 21	
98583	Ball Bearing, 2, 3	101887	Guide and Die Plates, 14	102100	Terminals, 25	
98722	Screw (4-40 x 5/8), 22	101890	Feed Roll Bracket, 14	102118	Clutch - Driving, 2	
	Type Bar Pallets	101894	Tape Guide, 14	102119	Clutch - Driving, 2	
98904	{ M • }	101897	Tape Guide Spring, 14	102121	Screw (10-32 Shoulder), 16	
98915	{ Q 1 }	101898	Stud, 14	102122	Distributor Shaft, 2	
98916	{ W 2 }	101899	Eccentric, 14	102123	Sensing Shaft, 2	
98917	{ I 8 }	101900	Feed Pawl, 14	102125	Clutch - Driven, 2	
98928	{ R 4 }	101901	Stud, 14	102129	Contact Bracket, 3	
98929	{ Y 6 }	101902	Bail - Lower, 14	102167	Spring Plate, 4	
98930	{ E 3 }	101903	Stud, 14	102168	Post, 21	
98931	{ T 5 }	101904	Bail - Upper, 14	102179	Eccentric, 20	
98932	{ U 7 }	101905	Bracket, 14	102180	Screw (6-40 x 1-15/16), 20	
98933	{ O 9 }	101906	Feed Hole Punch, 14	102183	Spacer - End, 20	
98941	{ X ↗ }	101908	Bracket - Left, 8	102184	Spacers - End, 20	
98946	{ B ⊙ }	101909	Ribbon Shaft - Short, 8	102185	Spacer - End, 20	
98947	{ C ⊙ }	101910	Idler Gear - 30T, 8	102186	Spacer - End, 20	
98948	{ N ⊙ }	101911	Ribbon Shaft - Long, 8	102187	Screw (10-32 Pilot), 20	
98949	{ V ⊙ }	101912	Reverse Arm - Left, 8	102188	Spacers, 20	
		101914	Eccentric, 14	102189	Bail, 20	
		101915	Ribbon Guide Bracket (with Roller), 8	102190	Shaft, 20	
		101945	Resistor - 2000 Ohms, 29	102191	Spacers, 20	
				102192	Bracket - Front, 20	

NUMERICAL INDEX

102193	Bracket - Rear, 20	102439	Lid Latch, 19	105567	Screw (10-24 x 1/2), 29
102202	Foot - Brass, 1	102444	Shaft, 19	105634	Roller, 23
102208	Punch Block and Die Plate (Fitted Together), 18	102445	"T" Levers, 20	105940	Stiffener, 3, 4
102209	Feed Roll (with Ratchet and Feed Wheel), 18	102447	Oscillating Lever, 19	106255	Screw (10-24 x 1-1/4), 29
102210	Code Punches, 18	102450	Selector Levers, 19	106303	Screw (6-32 x 2-3/8 Flat Head), 22
102220	Shaft, 18	102458	Contact Lever, 3	106380	Code Plate (Blank), 1
102221	Spring, 18	102465	Screw (6-40 x 37/64), 2	107310	Wire Guard - 6" Long, 25
102222	Stripper, 18	102472	Contact Spring - Long, 3	107362	Screw (6-32 x 2-1/2), 29
102223	Spring Arm, 18	102473	Contact Spring - Short, 3	107363	Screw (6-32 x 5/16), 29
102224	Spacer, 18	102512	Transfer Slides, 20	107364	Screw (6-32 x 3/8), 29
102225	Spacer, 18	102655	Type Bar Pallet (N -), 26	107365	Screw (6-32 x 5/8), 29
102226	Spacer, 18	102773	Shims, 20	107366	Screw (6-32 x 1), 29
102227	Bracket, 18	102774	Bolt (8-36 x 4-3/8), 27	107470	Electrical Service (Assem.), 29
102228	Tape Operating Bail (with Post), 18	102776	Oil Wick - Felt, 2	107473	Base Pad - Felt, 1
102229	Code Punch Bracket, 15	102813	Ribbon Shaft, 8	108459	Cover, 23
102230	Main Bail (with Dowel), 6, 7	102815	Spring Bracket - Left, 8, 10	108460	Screw (6-32 x 13/32), 23
102231	Guide Bracket - Right, 6, 7	102841	Screw (2-56 Special), 19	108551	Receptacle - 33 Slots, 29
102232	Guide Bracket - Left, 6, 7	102845	Set of Motor and Gear Parts (Motor Arrangements "EL" - for 460 O.P.M. Receiving and 460 O.P.M. Sending), 10, 27	109918	Toggle Switch (with 91683 Nut - Hex., and 91684 Nut - Ring), 1
102239	Stripper Plate, 14	102848	Set of Motor and Gear Parts (Motor Arrangement "EP" - for 368 O.P.M. Receiving and 368 O.P.M. Sending), 10, 27	110330	Screw (2-56 Shoulder), 18
102252	Spring, 2	102964	Retaining Bracket, 15	110334	Screw (4-40 Shoulder), 13
102257	Post, 1	102965	Spacer, 15	110335	Screw (4-40 Shoulder), 13
102260	Clutch Detent Bracket, 4	102966	Spring Post, 15	110336	Magnet Core, 4
102262	Shift Lever, 17	102993	Bracket, 19	110341	Retainer, 4
102263	Stud, 17	102999	Screw (2-56 x 5/32), 18	110344	Locating Plate, 1
102287	Contact Spring - Long, 3	103076	Spacer, 19	110353	Spring Post, 15
102288	Contact Spring - Short, 3	103081	Screw (1/4-20 x 1/2), 29	110356	Spring Bracket, 19
102290	Spacer, 3	103084	Spacer, 19	110357	Comb - Bakelite, 21
102291	Spacer, 2	103142	Spacers, 20	110358	Bracket, 21
102292	Vertical Link #1, 15	103236	Plug - Black Shell, 25	110359	Contact Bail #4, 20
102293	Vertical Link #2, 15	103284	Fusetron - 3.2 Amp., 29	110360	Contact Bail #5, 20
102294	Vertical Link #3, 15	103288	Fusetron - 1.4 Amp., 29	110361	Contact Bail #3, 20
102295	Vertical Link #4, 15	103305	Washer, 3	110362	Contact Bail #2, 20
102296	Vertical Link #5, 15	103310	Code Bar Locking Lever, 7, 10, 26	110363	Contact Bail #1, 20
102297	Vertical Link Bracket, 15	103316	Bell Crank #1, 15	110365	Bracket, 21
102299	Bail Extension, 20	103317	Bell Crank #2, 15	110366	Punch Retractor, 15
102303	Roller, 4, 19, 20	103318	Bell Crank #3, 15	110367	Tape-Out Latch (with Hub), 13
102304	Detent Lever, 4	103319	Bell Crank #4, 15	110368	Tape Release Lever (with Hub), 13
102306	Sensing Finger #1, 19	103320	Bell Crank #5, 15	110369	Bracket (with Spring Post), 13
102307	Sensing Finger #2, 19	103341	Bracket, 9	110371	Latch Pawl, 13
102308	Sensing Finger #3, 19	103356	Spring, 1, 15	110372	Latch Pawl, 13
102309	Sensing Finger #4, 19	103357	Spring (Tape Feed), 19	110374	Transmitter Yoke (with Spring Posts), 19
102310	Sensing Finger #5, 19	103398	Spring, 19	110375	Support (with Spacer), 18
102317	Contact Mounting Plate, 4	103399	Tape Chute, 7	110376	Feed Pawl Lever, 15
102318	Bracket, 4	103431	Grommet - Rubber, 27	110378	Pull Bar Guide, 9
102329	Contact Spring - Short, 3, 4	103516	Oil Shield, 3	110379	Adjusting Bar, 3
102330	Contact Spring - Long, 3, 4	103603	Name Plate (Off), 1	110380	Bushing, 20
102333	Punch Cam, 11	103953	Line Relay Filter (Assem.), 24	110381	Cover Plate, 1
102340	Transmitter Stop Contact (Assem.), 4	104750	Spring Bracket, 3	110382	Screw (4-40 Eccentric), 20
102367	Extension (Tape Feed), 19	104751	Spring, 3	110383	Extension (Oscillator), 19
102373	Bushing, 19	104845	Type Bar Pallet (P \emptyset), 26	110384	Screw (4-40 Shoulder), 15
102375	Clutch Release Lever, 13	104951	Type Bar (with Pallet) #23 (P \emptyset), 26	110386	Bracket, 15
102376	Stud, 12	105114	Screw (6-40 Pilot), 19	110450	Tape Depressing Bail, 15
102378	Bracket - Right, 7, 8	105117	Screw (4-48 Special), 19	110451	Bracket, 23
102379	Ribbon Guide, 15	105120	Back Stop Bracket, 19	110452	Stud, 9
102380	Platen, 17	105121	Feed Arm (with Roller), 19	110454	Container, 22
102381	Platen Support, 17	105127	Tape Feed Lever, 19	110455	Spring, 19
102382	Shaft, 17	105128	Tape Guide Blade - Front, 19	110458	Tape Release Bracket (Assem.), 13
102391	Spacer - Long, 20	105129	Tape Guide Blade - Rear, 19	110459	Distributor Shaft Bracket (Assem.), 3
102392	Spacer - Short, 20	105133	Transmitter Lid, 19	110460	Clutch Magnet Bracket (Assem.), 4
102393	Eccentric, 20	105134	Bracket, 19	110467	Code Punch Block (Assem.), Fully Perforated Tape, 18
102394	Bridge, 20	105136	Sensing Cam Sleeve (Assem.), 2	110468	Auxiliary Relay (Assem.), 23
102400	Motor Plate, 27	105137	Guide, 19	110471	Distributor Contacts Filter (Assem.), 24
102411	Plunger Extension, 6	105139	Selector Yoke Plate, 19	110472	Contact Pileup (Assem.), 21
102412	Clutch Release Rod, 13	105140	Feed Pin Oscillators (with Spring Post and Pins), 19	110495	Gear Guard, 1
102413	Intermediate Bail, 17	105142	Contact Lever, 19	110496	Bracket, 23
102414	Bracket, 17	105143	Tape Holding Lever (with Spring Bracket and Hub), 19	110653	Shims, 3
102415	Shift Latch (with Hub), 17	105144	Tape-Out Lever, 19	110655	Bracket, 4
102416	Screw (6-40 Shoulder), 17	105147	Sensing Finger #H, 19	110656	Bracket, 22
102419	Extension, 17	105206	Plug - 4 Prong, 29		
102420	Spacer, 6	105414	Spacer, 29		
102421	Plunger Extension Bracket, 6	105449	Name Plate (Motor On), 1		
102422	Shift Bail, 17				
102423	Bracket, 17				
102424	Platen Frame, 17				
102435	Shim, 19				
102436	Shaft, 19				

NUMERICAL INDEX

110664	Toggle Switch (with 91683 Nut - Hex., and 91684 Nut - Ring), 1	110749	Bracket, 1	111082	Pad - Right, 28
110671	Name Plate (Tape Start), 1	110751	Bushing - Bakelite, 21	111091	Contact Spring - Long, 4
110682	Feed Roll, 14	110754	Adjusting Cam, 19	111098	Insulating Strip, 22
110684	Bearing Housing, 3	110773	Tape Guide (Lower), 23	111238	Container (with 89514 Screws Welded in Place), 24
110685	Punch Arm Link, 16	110774	Tape Guide (Upper), 23	111468	Bracket, 24
110686	Ball Bearing, 3	110782	Sensing Finger #G, 19	111471	Gage, 14
110687	Retainer, 3	110786	Base Plate, 1	111599	Spring, 13
110688	Chad Tube, 14	110787	Screw (6-40 Shoulder), 22	111614	Spring, 13
110689	Subshaft, 3	110818	Bracket, 24	111649	Bracket, 23
110690	Punch Block and Die Plate (Fitted Together), 18	110820	Bracket, 24	111658	Bracket, 23
110691	Bracket, 7	110830	Positioning Plate, 4	111711	Strip - Plastic, 9
110692	Guide, 7	110837	Tape-Out Contact (Assem.), 4	111863	Ribbon Spool Cup, 8
110694	Code Bar, 9	110838	Clutch Detent Lever Bracket and Tape-Out Contact (Assem.), 4	111937	Pull Bar - Ltrs., 26
110695	Chad Chute, 7	110844	Feed Pawl Lever, 14	111964	Shims, 18
110696	Chad Chute (with Lid), 18	110845	Spacer, 14	111976	Guide, 13
110701	Distributor Cam Sleeve (Assem.), 2	110848	Guard, 12	112076	Spring, 15
110708	Block - Bakelite, 21	110858	Cable - Base (with 82474 Terminals and 107310 Wire Guard - 6" Long), 25	112130	Spring Strip, 19
110709	Tape Reel (Assem.) - Black Wrinkle, 22	110949	Terminal - Cable, 29	112487	Cable - A.C. (with Terminals), 29
110714	Screw - Adjusting, 3	110989	Baffle Plate (Black Wrinkle), 21	112488	Cable - D.C. (with Terminals), 29
110724	Pad - Left and Rear, 28	110990	Bracket, 21	112490	Cover - Rear, 29
110736	Transmitter Stop Contacts Filter (Assem.), 24	110991	Tape Platform, 21	112491	Terminal Block (with 101833 Screws), 29
110737	Distributor Operating Contacts Filter (Assem.), 24	111054	Spring - Left, 21	112492	Terminal Block, 29
110738	Bracket, 5	111058	Platen Unit (Assem.), 17	112493	Washer - Fibre, 29
110739	Bracket, 24	111059	Platen Shift Bracket, 17	112494	Washer - Fibre, 29
110747	Relay (Assem.) (with 108459 Cover and 108460 Mounting Screws), 23	111060	Code Punch Block (Assem.) - Chadless Tape, 18	112495	Screw (10-24 x 2-5/8), 29
		111062	Terminal - Cable, 29		
		111063	Terminal - Cable, 29		
		111064	Screw (8-32 x 3/8), 29		
		111069	Set of Type Bar Pallets (Arrangement 239), 26		