

4-30-46

BULLETIN No. 1131
ISSUE 1
APRIL, 1946

NOT FOR GENERAL DISTRIBUTION

TELETYPE

PRINTING TELEGRAPH SYSTEMS

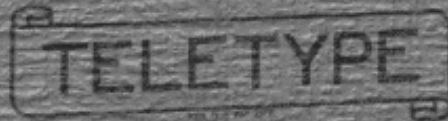
APPARATUS NOT USED BY
BELL SYSTEM

PARTS

REVERSIBLE TAPE TRANSMITTER (X18 & X19)
(6 UNIT)

MOTOR ARRANGEMENT (A)
(60 CYCLE, 110 V., A. C. SYNCHRONOUS)

X19 SAME AS X18 EXCEPT 111846 COVER OMITTED



CORPORATION

SUBSIDIARY OF

Western Electric Company

CHICAGO, U.S.A.

82509

TELETYPE

PRINTING TELEGRAPH SYSTEMS

PARTS

REVERSIBLE TAPE TRANSMITTER (X18 & X19)
(6 UNIT)

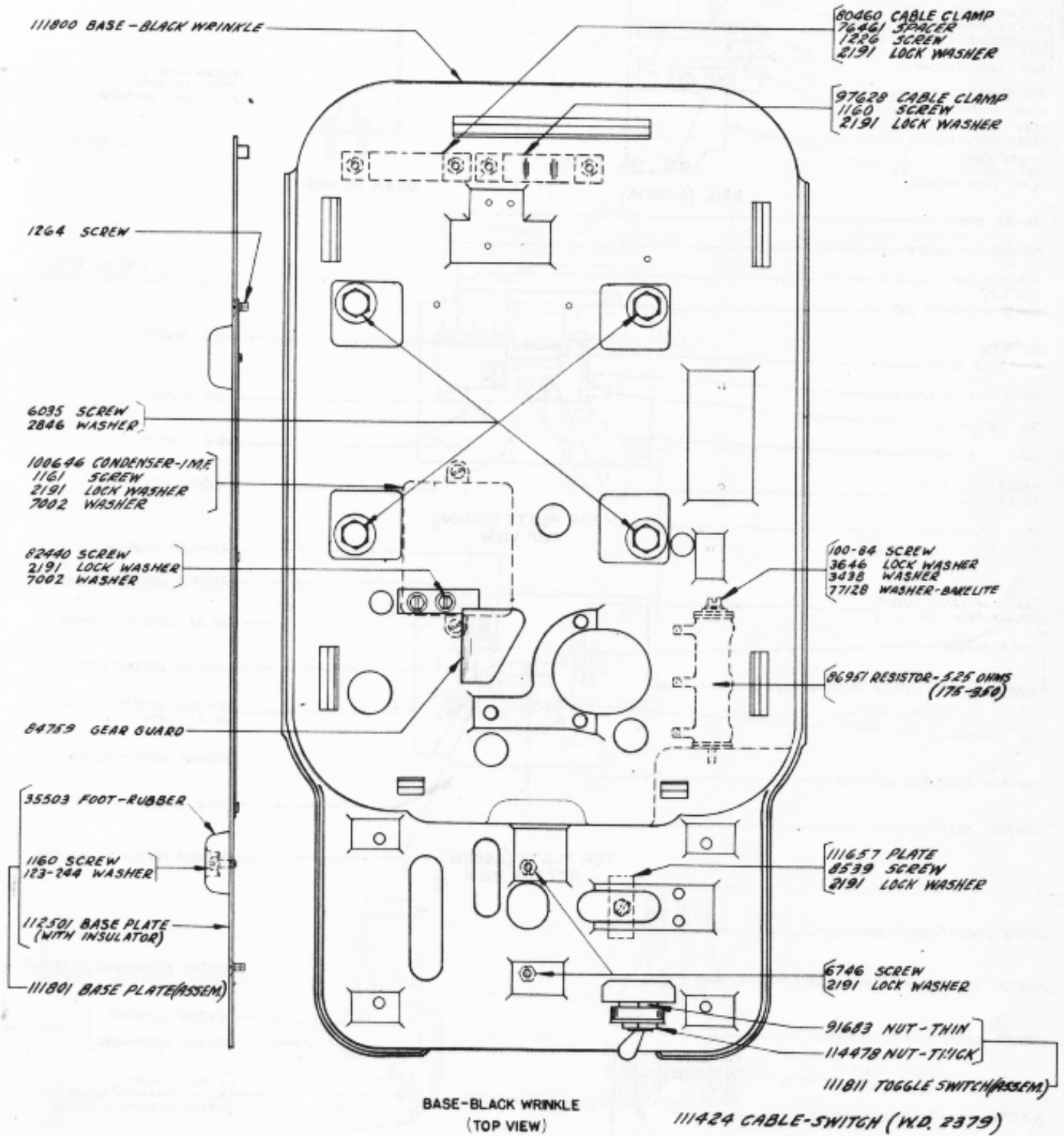
MOTOR ARRANGEMENT (AJ)
(60 CYCLE, 110 V., A. C. SYNCHRONOUS)

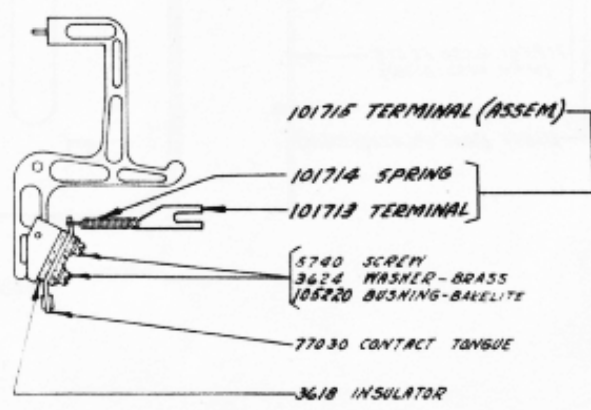
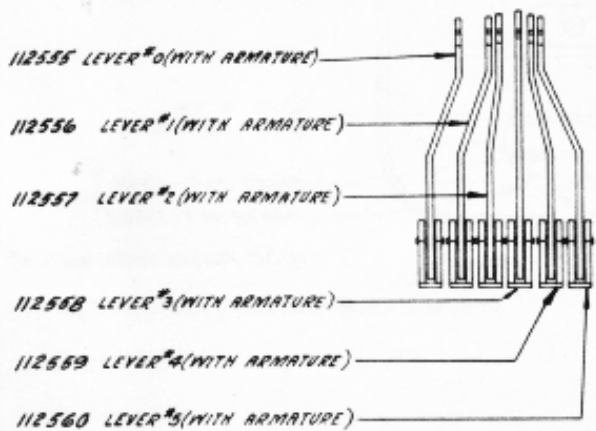
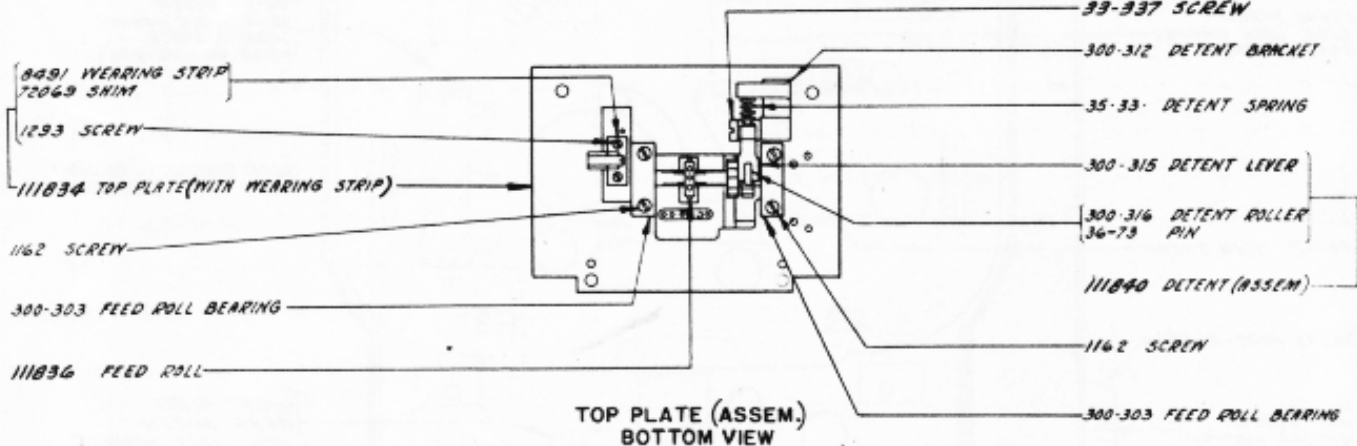
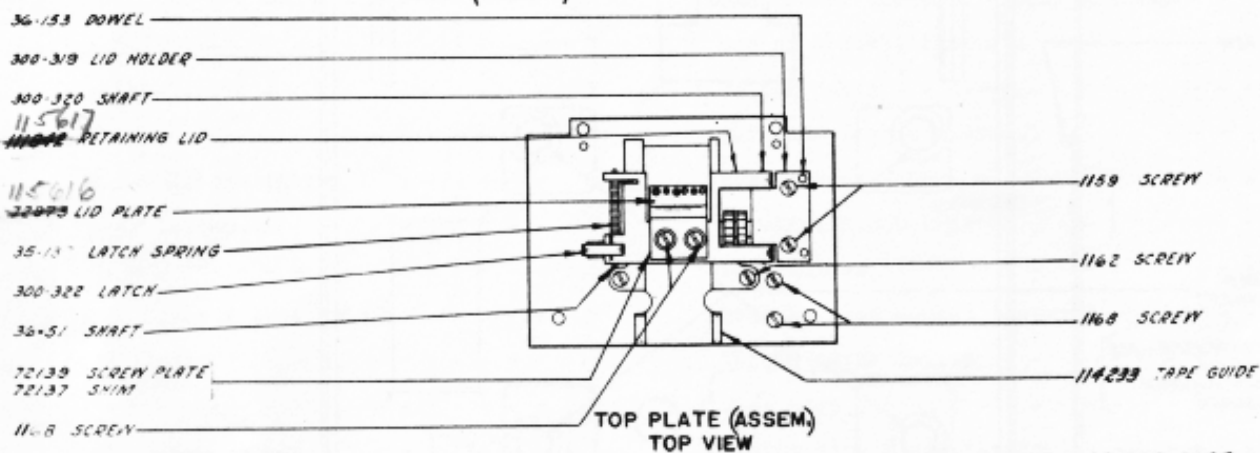
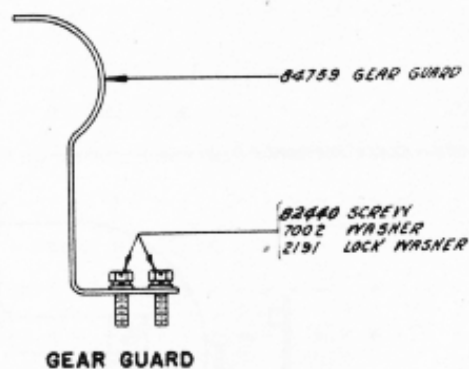
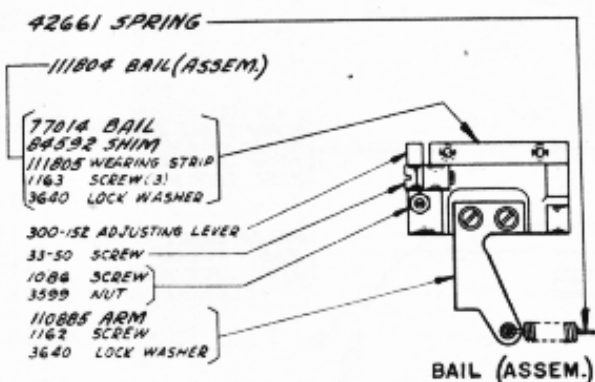
X19 SAME AS X18 EXCEPT 111846 COVER OMITTED



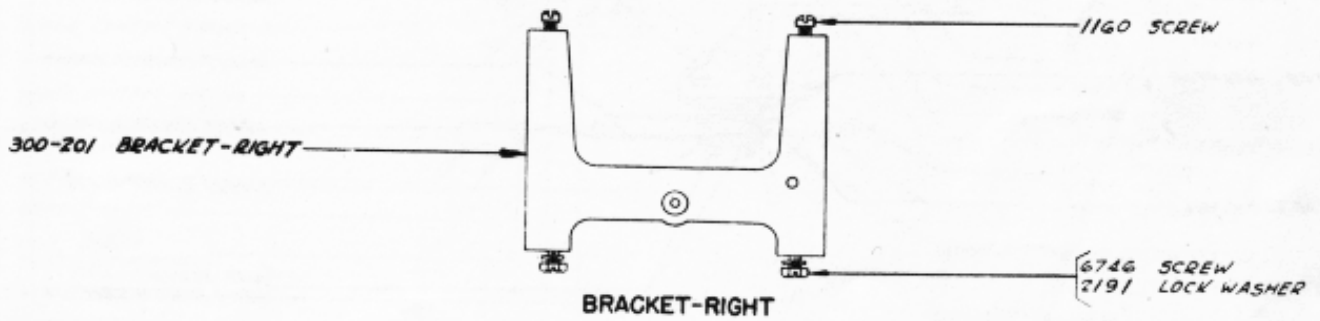
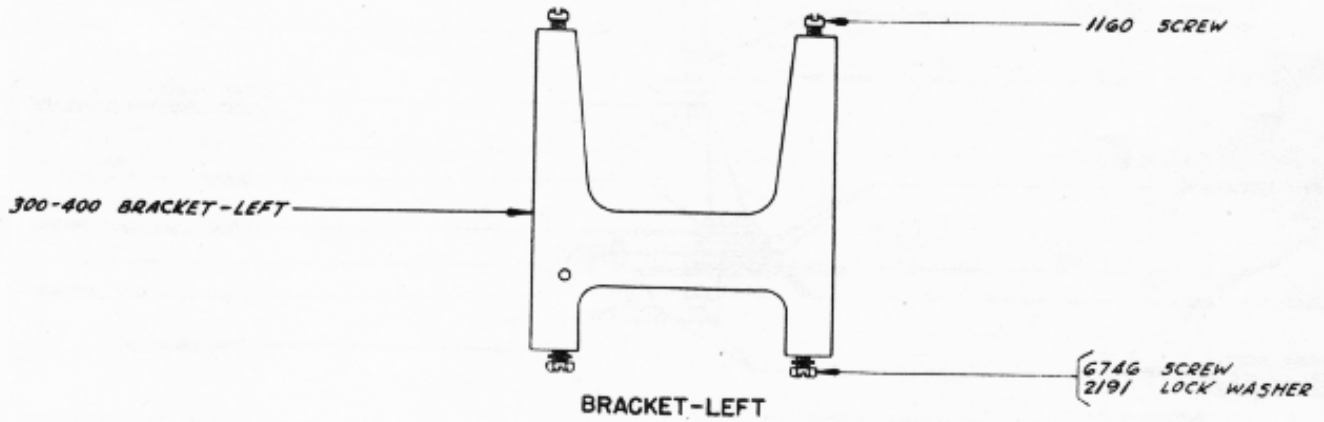
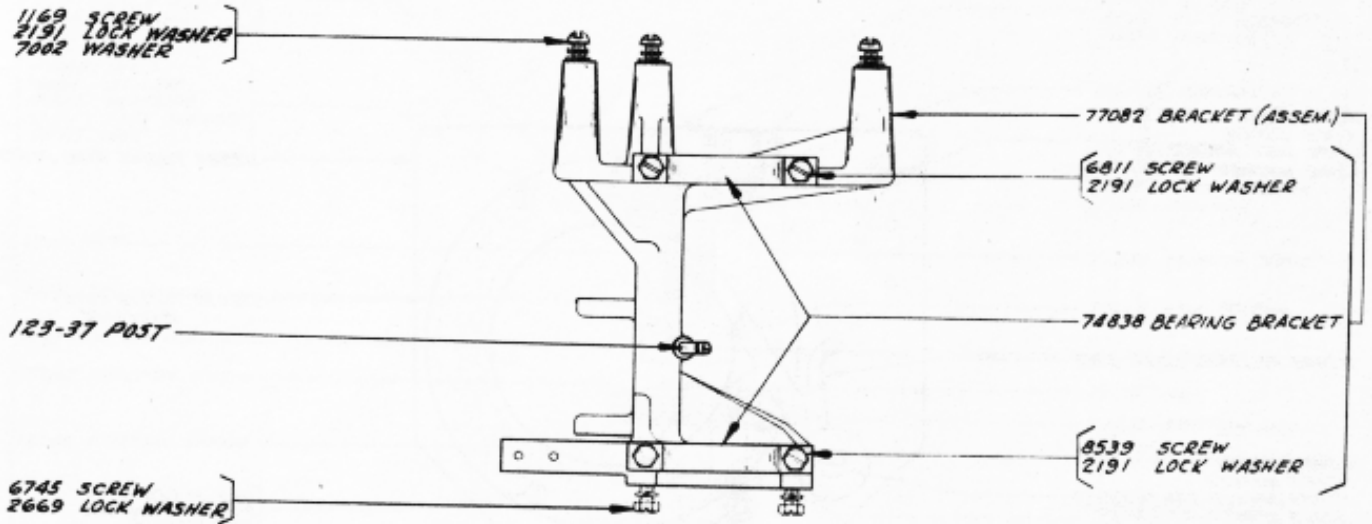
ALPHABETICAL INDEX

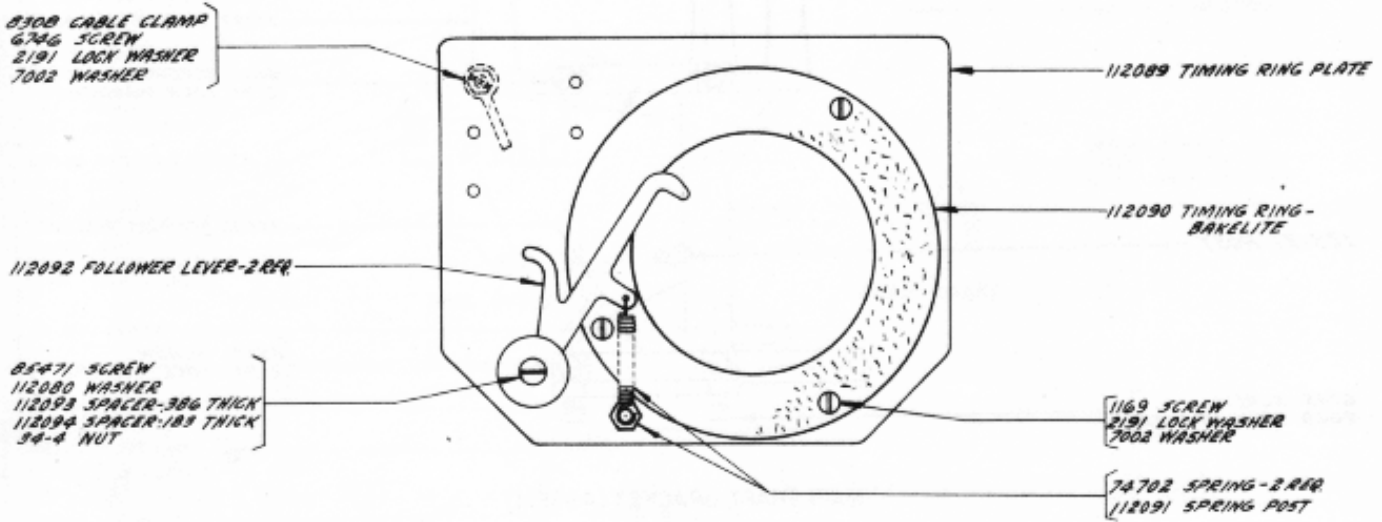
DESCRIPTION	PAGE NO.	DESCRIPTION	PAGE NO.
Auxiliary Contact (Assem.) - - - - -	4	Operating Lever (Assem.) - - - - -	7
Bail (Assem.) - - - - -	2	Pinion - - - - -	9
Base - Black Wrinkle - - - - -	1	Plugs - Cable and Cord - - - - -	7
Base Plate (Assem.) - - - - -	1	Power Cord (Assem.) - - - - -	7
Brackets - Left and Right - - - - -	3	Resistor - - - - -	1
Cables - - - - -	1,7	Snap Panel (Assem.) - Gray Wrinkle - - - - -	8
Cable (Assem.) - - - - -	7	Spring Bracket (Assem.) - - - - -	7
Cable Clamps - - - - -	1	Switch Cable - - - - -	1
Condenser - - - - -	1	Switch - Toggle (Assem.) - - - - -	1
Contact Screw Bridge (Assem.) - - - - -	6	Synchronous Motor - - - - -	9
Cord - Power (Assem.) - - - - -	7	Terminal Block (Assem.) - - - - -	-6,7
Covers - - - - -	8	Tape Guides - - - - -	8
Distributor Cover - Gray Wrinkle - - - - -	8	Tape Reverse Magnet (Assem.) - - - - -	6
Feed Lever (Assem.) - - - - -	6	Tape Sensing Levers - - - - -	2
Gear - - - - -	9	Tape Stop (Assem.) - - - - -	5
Gear Guard - - - - -	1,2	Timing Ring Plate (Assem.) - - - - -	4
Magnet (Assem.) - - - - -	5	Transmitter Cover - Stainless Steel - - - - -	8
Main Shaft (Assem.) - - - - -	5	Transmitter Bracket (Assem.) - - - - -	6
Main Shaft Bracket (Assem.) - - - - -	3	Top Plate (Assem.) - - - - -	2
Motor Arrangement "AJ" - - - - -	9	Toggle Switch (Assem.) - - - - -	1
Motor - Synchronous - - - - -	9	Universal Contact (Assem.) - - - - -	4
Name Plates - - - - -	8		
Numerical Index - - - - -	10		



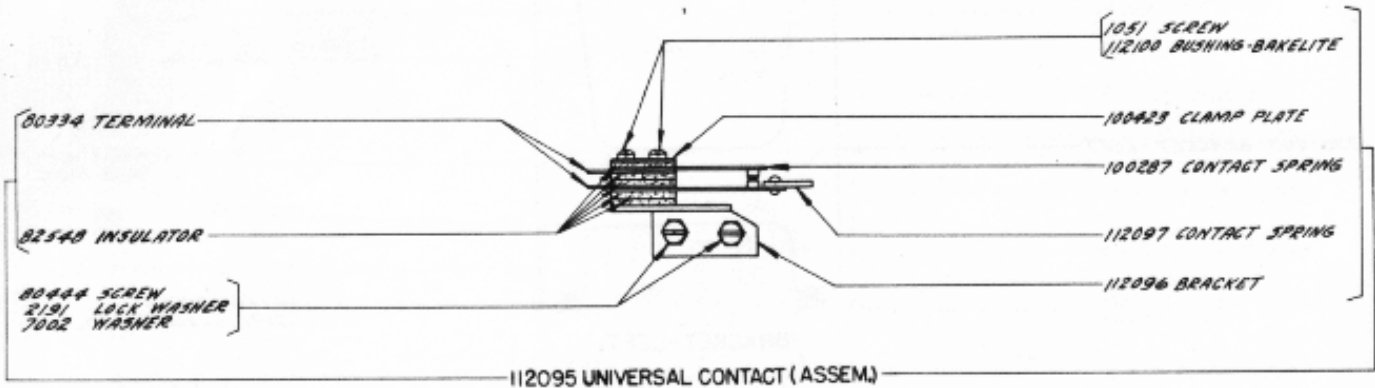


TAPE SENSING LEVERS

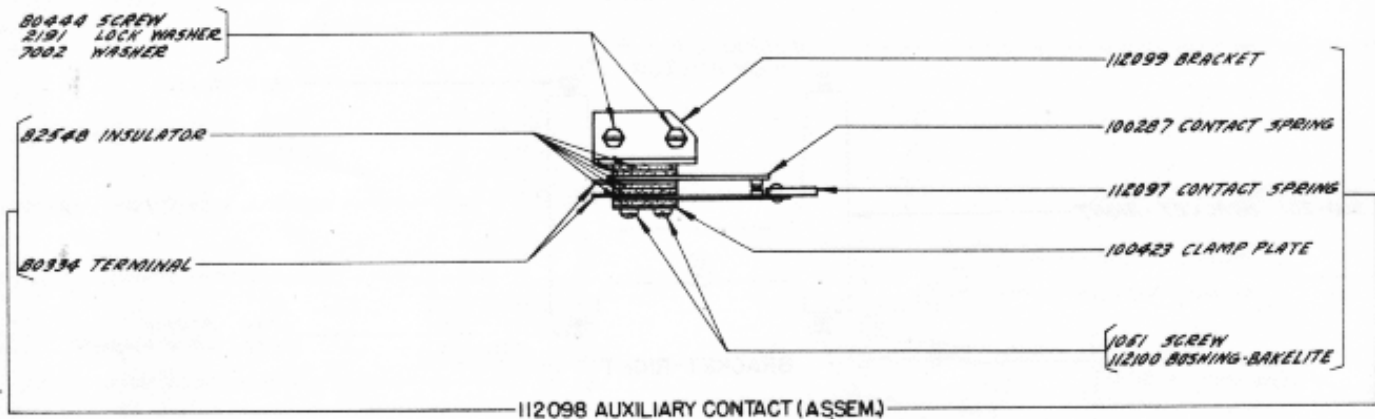




TIMING RING PLATE (ASSEM.)

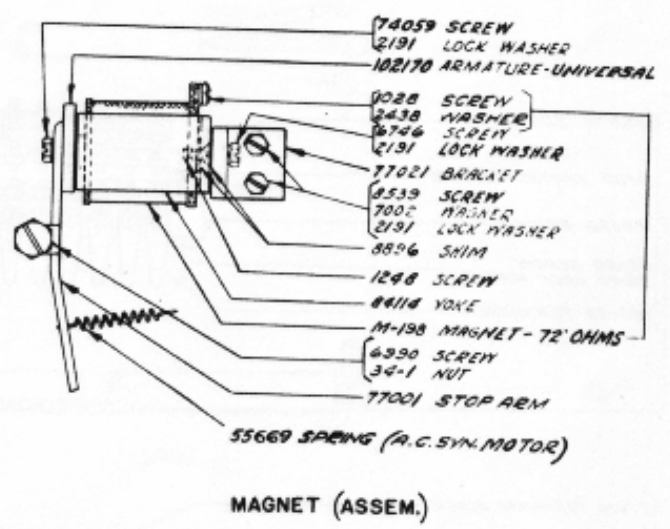
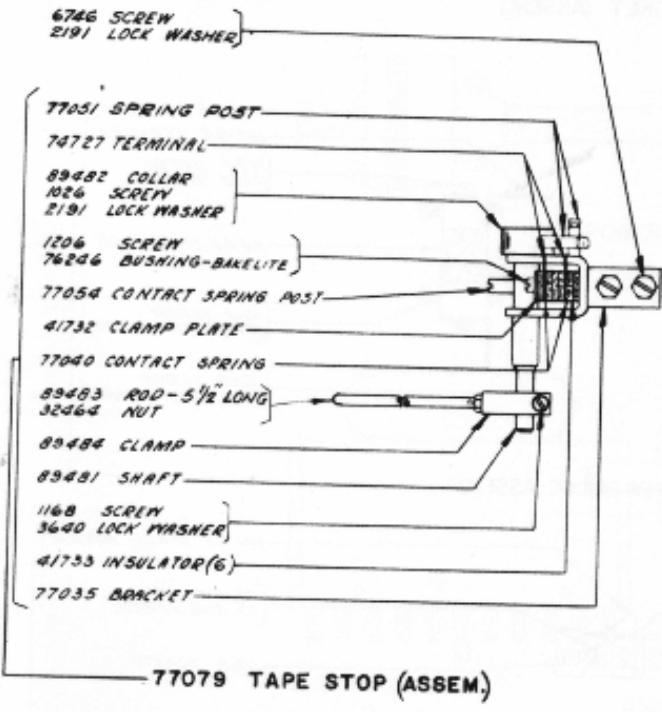
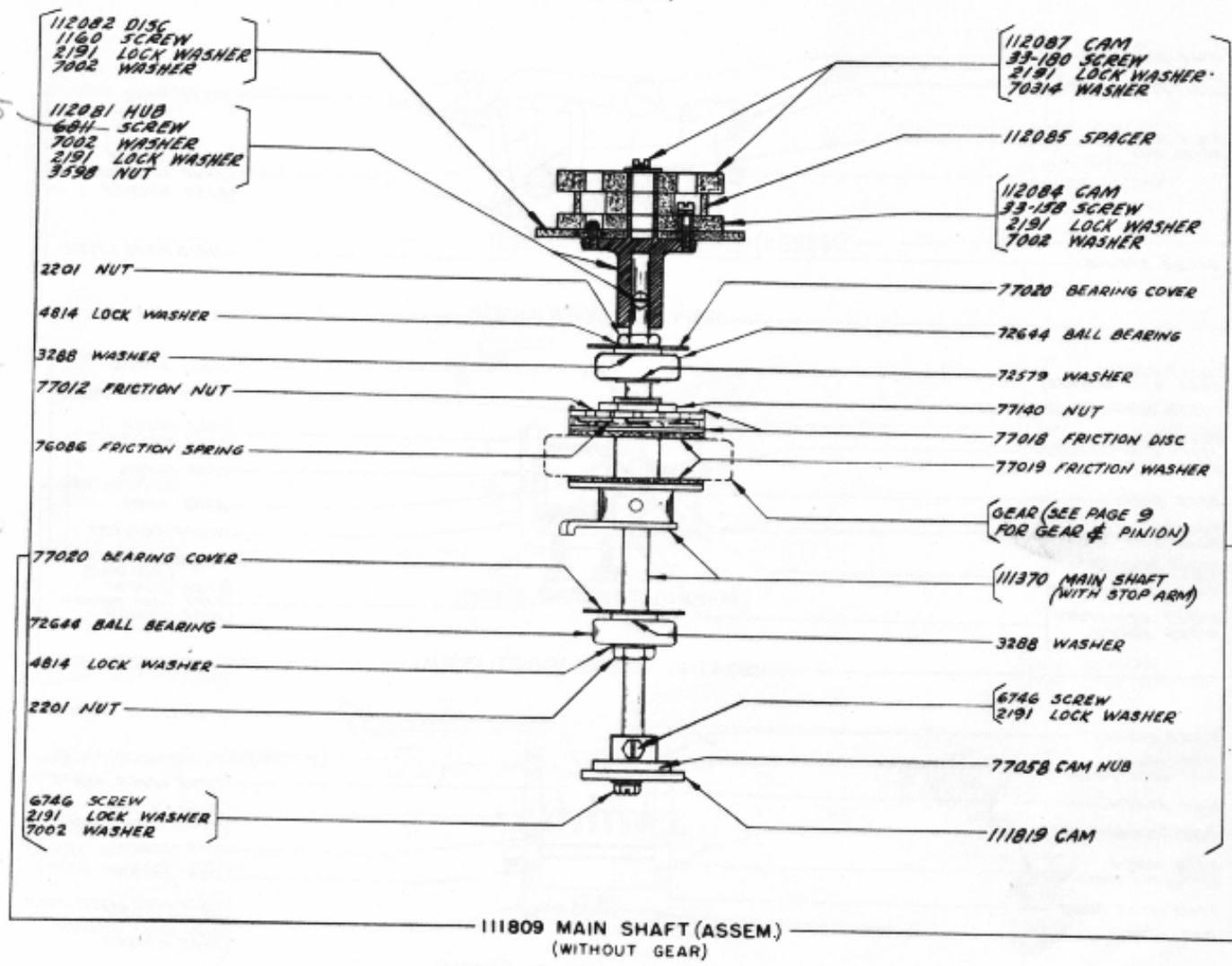


112095 UNIVERSAL CONTACT (ASSEM.)



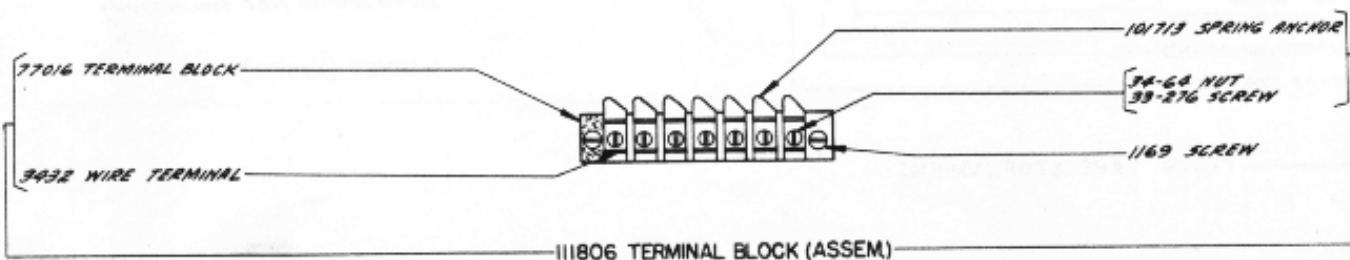
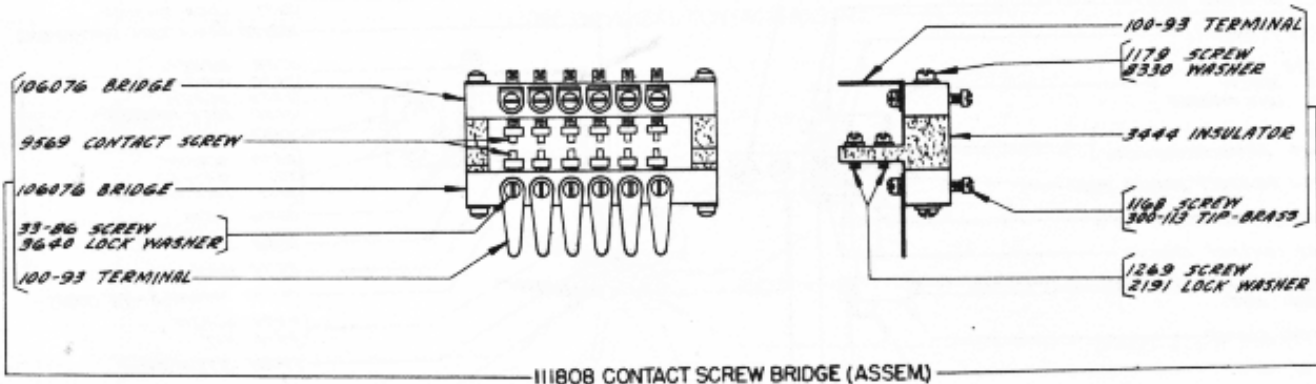
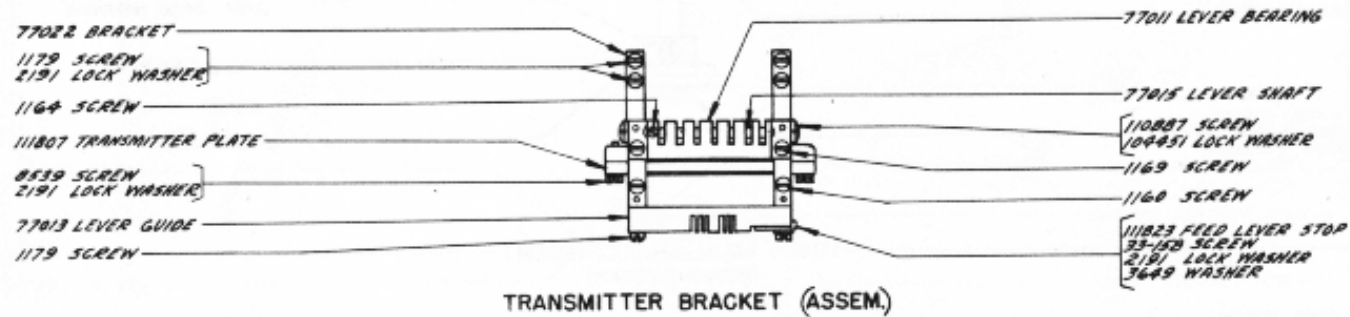
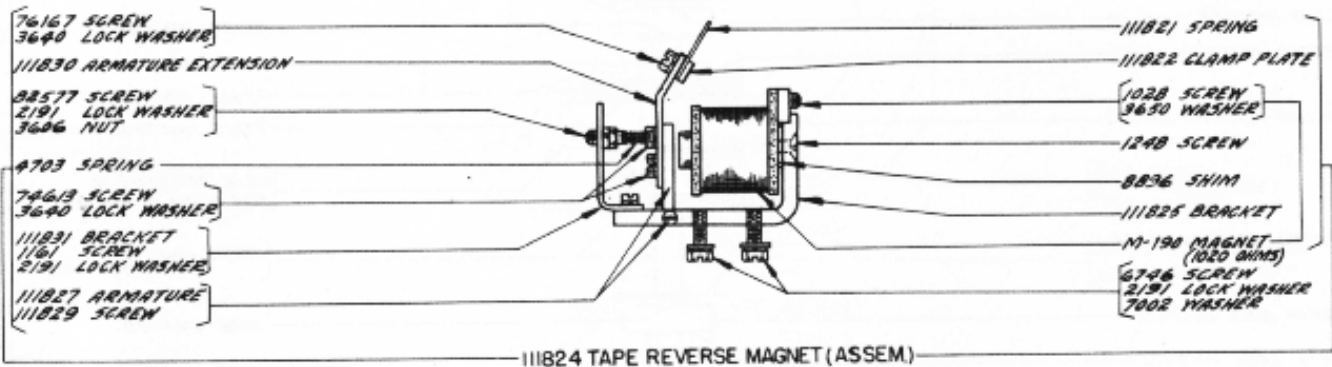
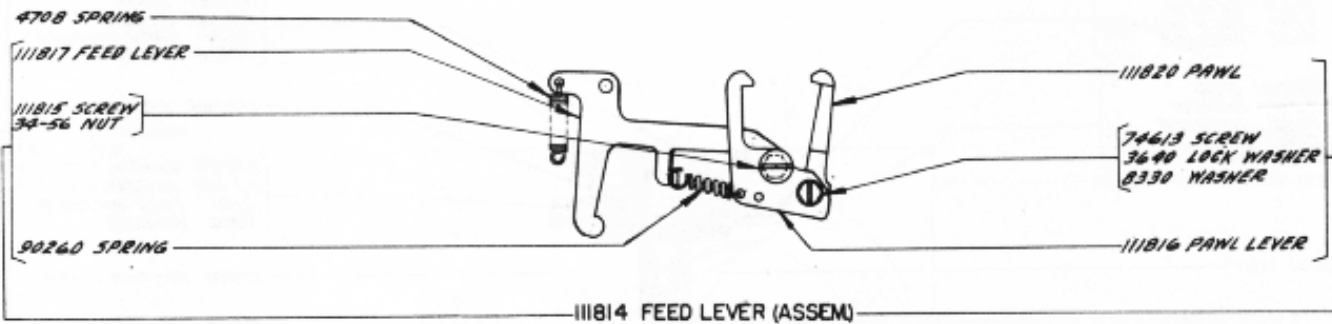
112098 AUXILIARY CONTACT (ASSEM.)

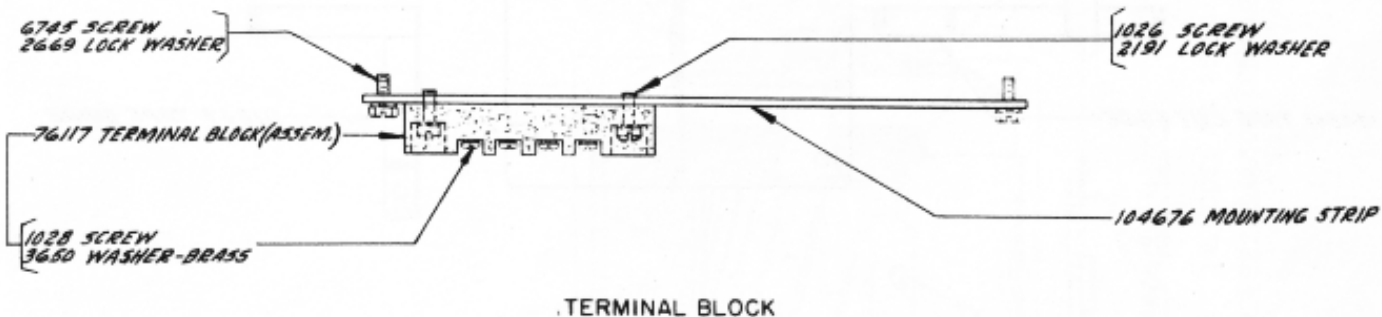
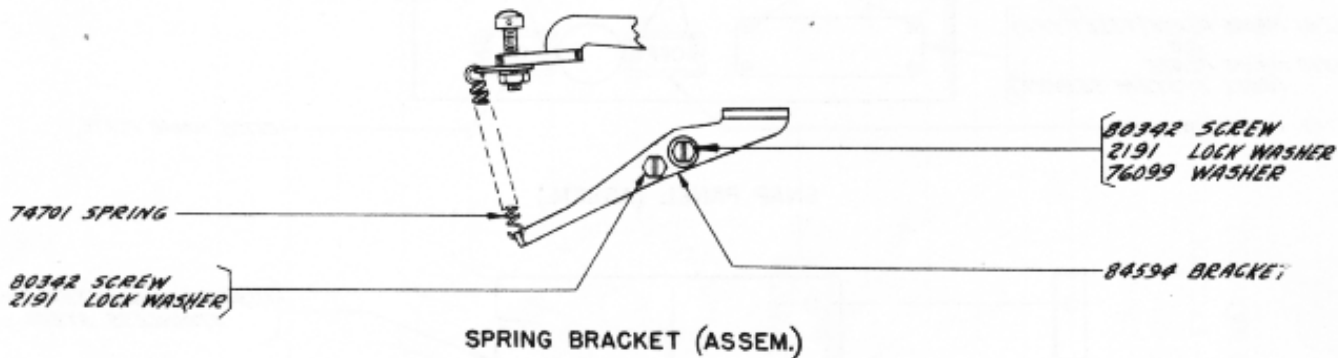
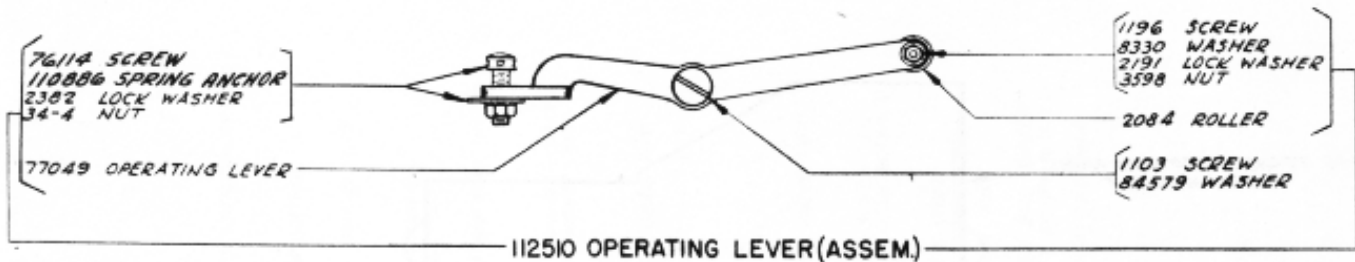
ASB 10/29/46
115615



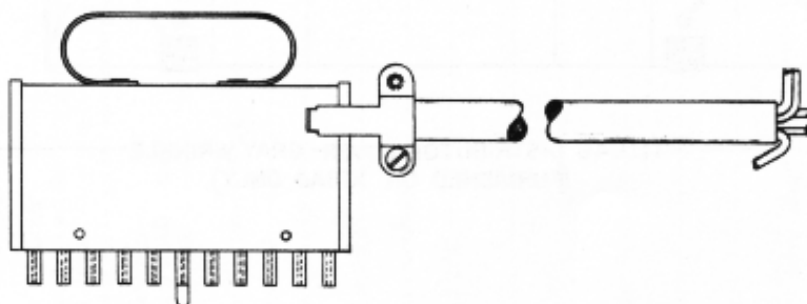
MAGNET (ASSEM.)

77079 TAPE STOP (ASSEM.)

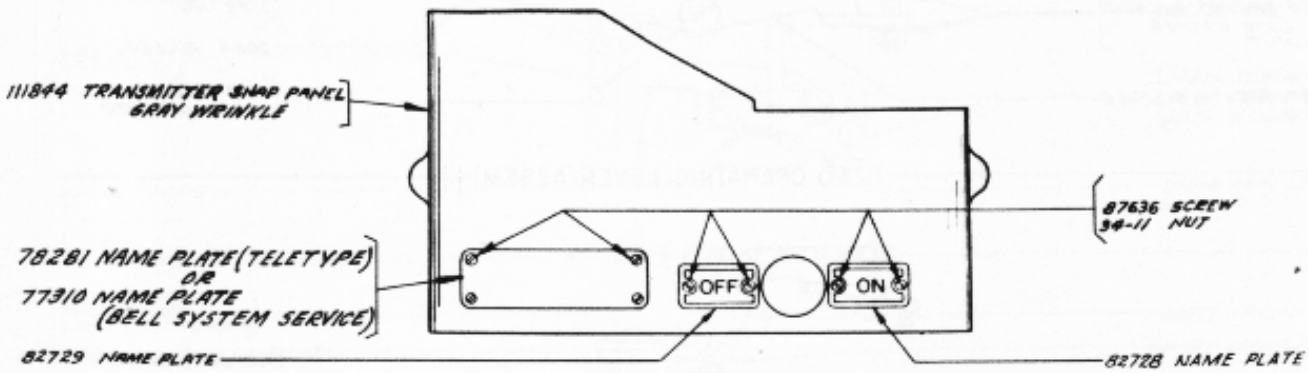




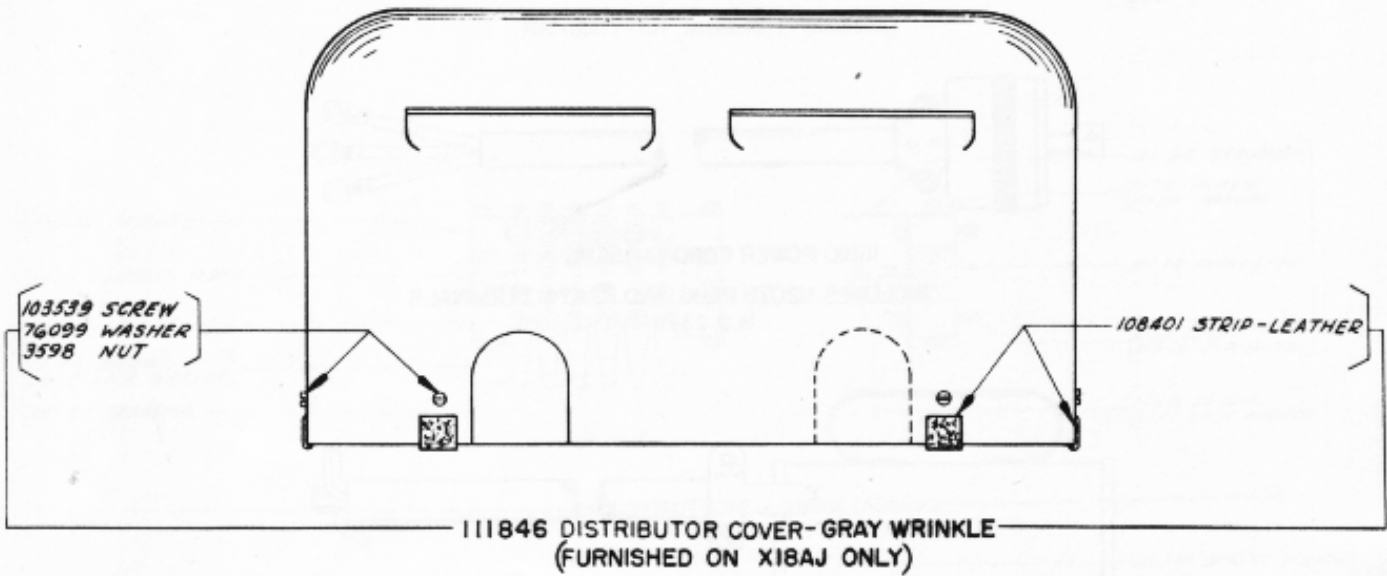
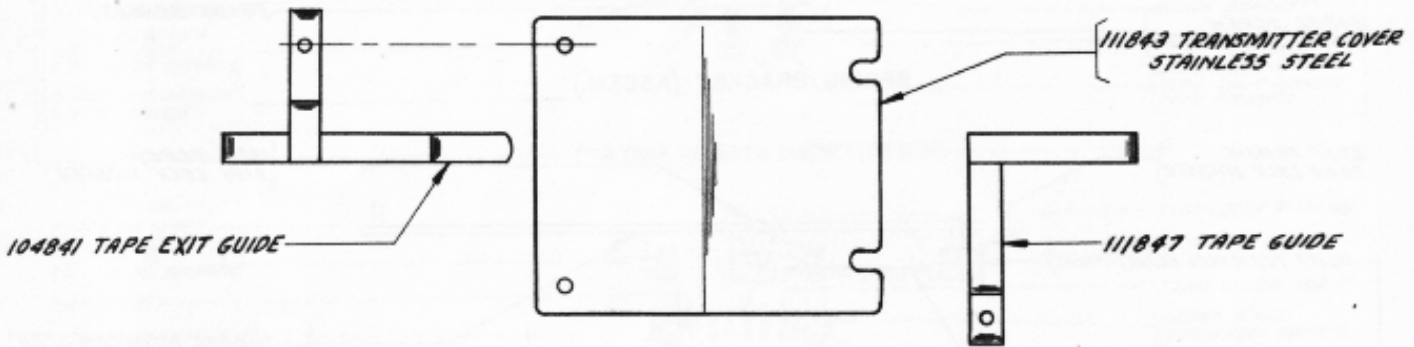
INCLUDES 112078 PLUG AND 82474 TERMINALS
W.D.2379

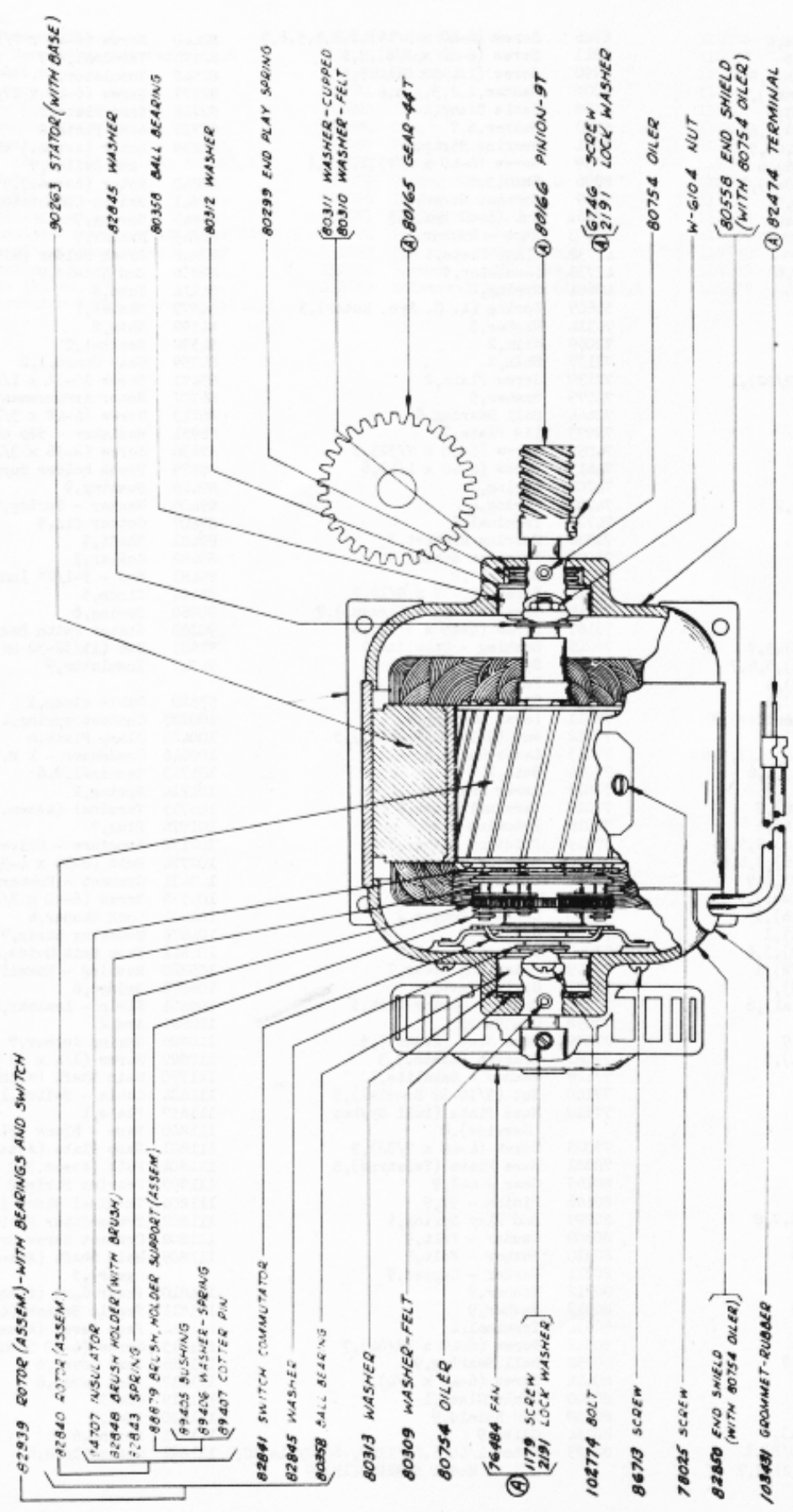


INCLUDES 101976 PLUG AND 82474 TERMINALS
W.D.2379



SNAP PANEL (ASSEM.)





SYNCHRONOUS MOTOR

82283 MOTOR, 1/40 H.P., 110 V., 60 CYCLE A.C. (G.E. MODEL 5SH25AB11B) - EXCLUDES PARTS MARKED (A)
 86707 MOTOR ARRANGEMENT "AJ", INCLUDES 82283 MOTOR AND PARTS MARKED (A)

NUMERICAL INDEX

M-190	Magnet - 1020 Ohms,6	6746	Screw (6-40 x 5/16),1,3,4,5,6,9	82440	Screw (6-40 x 7/16),1,2
M-198	Magnet - 72 Ohms,5	6811	Screw (6-40 x 5/8),3,5	82474	Terminal,7,9
W-610x	Nut (.164 - 36 Hex.),9	6990	Screw (1/4-32 Pilot),5	82548	Insulator,4
33-50	Screw (4-40 Shoulder),2	7002	Washer,1,2,3,4,5,6	82577	Screw (6-40 x 17/32),6
33-86	Screw (4-40 x 1/8),6	8308	Cable Clamp,4	82728	Name Plate,8
33-158	Screw (6-40 x 1/2),5,6	8330	Washer,6,7	82729	Name Plate,8
33-180	Screw (6-40 x 15/16),5	8491	Wearing Strip,2	82839	Rotor (Assem.) with bearings and Switch,9
33-276	Screw (3-48 x 5/16),6	8539	Screw (6-40 x 1/2),1,3,5,6	82840	Rotor (Assem.),9
33-337	Screw (4-40 Shoulder),2	8896	Shim,5,6	82841	Switch Commutator,9
34-1	Nut (1/4-32 Hex.),5	9569	Contact Screw,6	82843	Spring,9
34-4	Nut (10-32 Hex.),4,7	32464	Nut (5-40 Hex.),5	82845	Washer,9
34-11	Nut (2-56 Hex.),8	35503	Foot - Rubber,1	82848	Brush Holder (with brush),9
34-56	Nut (4-40 Hex.),6	41732	Clamp Plate,5	82850	End Shield,9
34-64	Nut (3-48 Square),6	41733	Insulator,5	84114	Yoke,5
35-33	Detent Spring,2	42661	Spring,2	84579	Washer,7
35-137	Latch Spring,2	55669	Spring (A. C. Syn. Motor),5	84592	Shim,2
36-51	Shaft,2	70314	Washer,5	84594	Bracket,7
36-73	Pin,2	72069	Shim,2	84759	Gear Guard,1,2
36-153	Dowel,2	72137	Shim,2	85471	Screw 10-32 x 1/2,4
100-84	Screw (8-40 x 2-17/32),1	72139	Screw Plate,2	86707	Motor Arrangement "AJ",9
100-93	Terminal,6	72579	Washer,5	86713	Screw (4-48 x 5/16),9
123-37	Post,3	72644	Ball Bearing,5	86951	Resistor - 525 ohms (175-350),1
123-244	Washer,1	72973	Lid Plate,2	87636	Screw (2-56 x 3/16),8
300-113	Tip - Brass,6	74059	Screw (6-40 x 7/32),5	88879	Brush holder Support (Assem.),9
300-152	Adjusting Lever,2	74613	Screw (4-40 x 1/4),6	89405	Bushing,9
300-201	Bracket - Right,3	74701	Spring,7	89406	Washer - Spring,9
300-303	Feed Roll Bearing,2	74702	Spring,4	89407	Cotter Pin,9
300-312	Detent Bracket,2	74727	Terminal,5	89481	Shaft,5
300-315	Detent Lever,2	74838	Bearing Bracket,3	89482	Collar,5
300-316	Detent Roller,2	76086	Friction Spring,5	89483	Rod - 5-1/2" long,5
300-319	Lid Holder,2	76099	Washer,7,8	89484	Clamp,5
300-320	Shaft,2	76114	Screw, 10-32 x 9/16,7	90260	Spring,6
300-322	Latch,2	76117	Terminal Block (Assem.),7	90263	Stator (with Base),9
300-400	Bracket - Left,3	76167	Screw (4-40 x 3/16),6	91683	Nut (15/32-32 Hex.),1
1026	Screw (6-40 x 3/8),5,7	76246	Bushing - Bakelite,5	94707	Insulator,9
1028	Screw (4-40 x 1/4),5,6,7	76461	Spacer,1	97628	Cable clamp,1
1051	Screw (4-40 x 1/2),4	76484	Fan,9	100287	Contact spring,4
1086	Screw (4-40 x 3/8),2	77001	Stop Arm,5	100423	Clamp Plate,4
1103	Screw (3/16-40 Shoulder),7	77011	Lever Bearing,6	100646	Condenser - 1 M.F.,1
1159	Screw (4-40 x 3/8),2	77012	Nut (9/16-32 Special),5	101713	Terminal,2,6
1160	Screw (6-40 x 5/16),1,3,5,6	77013	Lever Guide,6	101714	Spring,2
1161	Screw (6-40 x 1/4),1,6	77014	Ball,2	101715	Terminal (Assem.),2
1162	Screw (4-40 x 1/4),2	77015	Lever Shaft,6	101976	Plug,7
1163	Screw (4-40 x .188),2	77016	Terminal Block,6	102170	Armature - Universal,5
1164	Screw (2-56 x 3/16),6	77018	Friction Disc,5	102774	Bolt (8-36 x 4-3/8),9
1168	Screw (4-40 x 5/16),2,5,6	77019	Friction Washer,5	103431	Grommet - Rubber,9
1169	Screw (6-40 x 7/16),3,4,6	77020	Bearing Cover,5	103539	Screw (6-40 x 3/8),8
1179	Screw (6-40 x 5/8),6,9	77021	Bracket,5	104451	Lock Washer,6
1196	Screw (6-40 Shoulder),7	77022	Bracket,6	104676	Mounting Strip,7
1206	Screw (4-40 x 9/16),5	77030	Contact Tongue,2	104841	Tape Exit Guide,8
1226	Screw (6-40 x 3/4),1	77035	Bracket,5	105220	Bushing - Bakelite,2
1248	Screw (6-40 x 1/2),5,6	77040	Contact Spring,5	106076	Bridge,6
1264	Screw (10-32 x 1/2),1	77049	Operating Lever,7	108401	Strip - Leather,8
1269	Screw (6-40 x 1/2),6	77051	Spring Post,5	110885	Arm,2
1293	Screw (4-40 Special),2	77054	Contact Spring Post,5	110886	Spring Anchor,7
2084	Roller,7	77058	Cam Hub,5	110887	Screw (1/4 x 32 Pilot),6
2191	Lock Washer,1 to 9	77079	Tape Stop (Assem.),5	111370	Main Shaft (with Stop Arm),5
2201	Nut (5/16-32 Hex.),5	77082	Bracket (Assem.),3	111424	Cable - Switch,1
2382	Lock Washer,7	77128	Washer - Bakelite,1	111657	Plate,1
2438	Washer,5	77140	Nut (9/16-32 Special),5	111800	Base - Black Wrinkle,1
2669	Lock Washer,3,7	77310	Name Plate (Bell System Service),8	111801	Base Plate (Assem.),1
2846	Washer,1	78025	Screw (4-48 x 7/32),9	111804	Ball (Assem.),2
3288	Washer,5	78281	Name Plate (Teletype),8	111805	Wearing Strip,2
3432	Wire Terminal,6	80165	Gear - 44T,9	111806	Terminal Block (Assem.),6
3438	Washer,1	80166	Pinion - 9T,9	111807	Transmitter Plate,6
3444	Insulator,6	80299	End Play Spring,9	111808	Contact Screw Bridge (Assem.),6
3598	Nut (6-40 Hex.),5,7,8	80309	Washer - Felt,9	111809	Main Shaft (Assem.) (without gear),5
3599	Nut (4-40 Hex.),2	80310	Washer - Felt,9	111810	Power Cord (Assem.),7
3606	Nut (6-40 Hex.),6	80311	Washer - Cupped,9	111811	Toggle Switch (Assem.),1
3618	Insulator,2	80312	Washer,9	111814	Feed Lever (Assem.),6
3624	Washer - Brass,2	80313	Washer,9	111815	Screw (4-40 Shoulder),6
3640	Lock Washer,2,5,6	80334	Terminal,4	111816	Pawl Lever,6
3646	Lock Washer,1	80342	Screw (6-40 x 23/64),7	111817	Feed Lever,6
3649	Washer,6	80358	Ball Bearing,9	111819	Can,5
3650	Washer - Brass,6,7	80444	Screw (6-40 x 1/4),4	111820	Pawl,6
4703	Spring,6	80460	Cable Clamp,1	111821	Spring,6
4708	Spring,6	80558	End Shield,9	111822	Clamp Plate,6
4814	Lock Washer,5	80754	Oiler,9		
5740	Screw (2-56 x 1/4),2	82283	Motor 1/40 H.P. 110V, 60 Cycle AC, (G.E. Model 5SH25AR11B),9		
6035	Screw (1/4-20 x 5/8),1				
6745	Screw (10-32 x 1/2),3,7				

NUMERICAL INDEX

111823	Feed Lever Stop,6	111847	Tape Guide,8	112096	Bracket,4
111824	Tape Reverse Magnet (Assem.),6	112078	Plug,7	112097	Contact Spring,4
111825	Bracket,6	112080	Washer,4	112098	Auxiliary Contact (Assem.),4
111827	Armature,6	112081	Hub,5	112099	Bracket,4
111829	Screw (4-40 Special),6	112082	Disc,5	112100	Bushing,4
111830	Armature Extension,6	112084	Cam,5	112501	Base Plate (with insulator),1
111831	Bracket,6	112085	Spacer,5	112510	Operating Lever (Assem.),7
111834	Top Plate (with wearing strip),2	112087	Cam,5	112555	Lever #0 (With Armature),2
111836	Feed Roll,2	112089	Timing Ring Plate,4	112556	Lever #1 (With Armature),2
111840	Detent (Assem.),2	112090	Timing Ring,4	112557	Lever #2 (With Armature),2
111842	Retaining Lid,2	112091	Spring Post,4	112558	Lever #3 (With Armature),2
111843	Transmitter Cover - Stainless Steel,8	112092	Follower Lever,4	112559	Lever #4 (With Armature),2
111844	Transmitter Snap Panel - Gray Wrinkle,8	112093	Spacer - .386 Thick,4	112560	Lever #5 (With Armature),2
111845	Cable (Assem.),7	112094	Spacer - .183 Thick,4	114233	Tape Guide,2
111846	Distributor Cover - Gray Wrinkle,8	112095	Universal Contact (Assem.),4	114478	Nut (15/32-32 Hex.),1