

35 TYPING UNIT (LP)

ADJUSTMENTS

CONTENTS	PAGE	CONTENTS	PAGE
1. GENERAL	4	Paper finger latch spring (sprocket feed)	82
2. BASIC UNITS	8	Paper finger shaft spring (sprocket feed)	82
Codebar Mechanism		Paper finger spring (friction feed) . . .	77
Codebar detent	78	Paper guide (sprocket feed)	86
Codebar detent spring	78	Paper pressure bail spring (friction feed)	77
Codebar shift lever	23	Paper straightener collar (friction feed)	76
Codebar shift lever drive arm	20	Paper straightener lever spring (friction feed)	76
Codebar yield spring	78	Platen detent bail spring	68
Common transfer lever spring	21	Platen endplay (sprocket feed)	84
Intermediate arm backstop bracket . . .	22	Pressure roller lever spring (friction feed)	77
Intermediate latch eccentric	24	Printed line (sprocket feed)	84
Intermediate reset bail eccentric . . .	25	Right margin with automatic carriage return-line feed ring	75
Intermediate reset bail spring	25	Single-double line feed stripper bail assembly springs	74
Intermediate reset lever spring	25	Sprocket pin separation (sprocket feed)	84
Transfer lever eccentric	21	Sprocket pin spring (sprocket feed) . . .	86
Transfer lever spring	21		
Function Mechanism		Main Shaft and Trip Shaft Mechanisms	
Function bar spring	71	Antideflection plate	28
Function contact spring	72	Clutch drum position (except selector)	35
Function lever spring	71	Clutch latchlever spring (except selector)	26
Function pawl spring	71	Clutch shoe lever	34
Function pawl timing contact	72	Clutch shoe lever spring	35
Function reset bail blade	43	Clutch shoe spring	35
Function reset bail spring	43	Clutch trip lever spring	30
Stripper blade drive cam position . . .	70	Clutch trip shaft set collars	29
Stripper slide bail arm	87	Codebar clutch cam follower spring	27
Stripper slide bail torsion spring . . .	88	Codebar clutch trip lever	26
Stripper slide spring	88	Function clutch trip lever	27
Line Feed and Platen Mechanism		Function clutch trip lever trip arm . . .	28
Left margin (sprocket feed)	83	Intermediate lever spring	30
Line feed bar bellcrank spring (friction feed)	68	Line feed clutch trip lever adjusting screw	32
Line feed bar bellcrank spring (sprocket feed)	86	Line feed clutch trip lever eccentric post	32
Line feed bar bumper (six stop clutch only)	69		
Line feed bar release lever spring . . .	68		
Line feed clutch gear phasing	37		
Line feed spur gear detent eccentric . .	68		
Paper finger (friction feed)	77		
Paper finger (sprocket feed)	85		

CONTENTS	PAGE
Spacing clutch trip cam follower spring	31
Spacing clutch trip lever	30
Trip shaft lever spring	26
Typebox clutch trip lever eccentric post	33
Typebox clutch trip lever trip arm . .	33
 Positioning Mechanism	
Bail arm assembly spring	49
Decelerating slide spring	47
Horizontal positioning drive linkage . .	45
Horizontal positioning drive linkage spring	45
Horizontal positioning locklever spring	38
Horizontal shift link shock absorber spring	47
Horizontal stop slide spring	76
Left vertical positioning lever eccentric stud	40
Reversing slide adjusting stud	44
Reversing slide brackets	44
Reversing slide detent spring	44
Right vertical positioning lever eccentric stud	39
Rocker shaft bracket eccentric stud . .	38
Rocker shaft left bracket	37
Shift drive pawl guide bracket	49
Shift drive pawl operating bail	48
Shift linkage (final)	59
Shift linkage (preliminary)	46
Shift linkage spring	59
Shift pawl selector link yield spring . .	50
Shift rocker bail spring	48
Shift rocker bar bearing bracket	46
Shift rocker lever	48
Shift selector arm bellcrank	50
Vertical positioning lever spring	39
Vertical positioning locklever	41
Vertical positioning locklever spring	40
 Printing Mechanism	
Printing arm	61
Printing carriage lower roller	54
Printing carriage position	58
Printing hammer bearing stud	58
Printing hammer operating bail latch spring	60
Printing hammer operating bail spring	60
Printing hammer operating bail spring (not as illustrated)	60
Printing hammer plunger spring	60
Printing hammer stop bracket	61

CONTENTS	PAGE
Printing hammer yield spring	60
Printing track	60
Print suppression blocking bail spring	81
Print suppression blocking levers . . .	80
Print suppression blocking levers spring	80
Print suppression mechanism	80
Ribbon feed lever bracket	66
Ribbon feed lever spring	66
Ribbon lever spring	67
Ribbon ratchet wheel friction spring	66
Ribbon reverse detent	65
Ribbon reverse detent lever spring . .	65
Ribbon reverse spur gear	65
Ribbon tension spring	67
Stabilizing spring	54
Typebox alignment	64
Typebox carriage roller arm spring	54
Typebox clutch suppression arm	81
Type pallet spring	61
 Selector Mechanism	
Marking locklever spring	17
Pushlever reset bail spring	18
Rangefinder knob	8
Selector armature	9
Selector armature downstop (final) . .	15
Selector armature downstop (preliminary)	10
Selector armature spring (double button) (final)	12
Selector armature spring (double button) (preliminary)	12
Selector armature spring (single button)	11
Selector cam lubricator	22
Selector clutch drum	16
Selector clutch latchlever spring	18
Selector clutch stop arm	8
Selector lever spring	16
Selector magnet bracket	13
Selector magnet bracket (vertical adjustment)	14
Selector pushlever spring	16
Selector receiving margin	17
Spacing locklever spring	18
Start lever spring	19
 Spacing Mechanism	
Automatic CR-LF bellcrank spring . . .	62
Carriage draw-wire rope	52
Carriage return latch bail	55
Carriage return latch bail spring . . .	55

CONTENTS	PAGE	CONTENTS	PAGE
Carriage return lever	56	Tabulator pawl vertical adjustment (final).	107
Carriage return spring	53	Tabulator stops settings	109
Dashpot vent screw.	57	Keyboard Lock Mechanism	
Left margin.	62	Keyboard locklever spring.	113
Lower draw-wire rope pulley bail spring	52	Local Backspace Mechanism	
Margin indicator lamp.	79	Camming bail spring.	114
Oscillating rail slide position.	51	Camming bail stop arm.	114
Right margin.	63	Lower Solenoid (for Applicable Units)	
Spacing cutout transfer bail spring. . .	63	Lower solenoid	120
Space suppression bypass spring. . . .	63	Solenoid spring	120
Spacing feed pawl release link spring	53	Low Paper and Paper Out Alarm Mechanisms	
Spacing feed pawl spring	51	Low paper and paper out alarm (sprocket feed)	98
Spacing gear clearance	36	Paper out alarm assembly (friction feed)	100
Spacing gear phasing.	36	Paper out alarm bellcrank follower spring (friction feed).	100
Spacing suppression bail spring	73	Paper out alarm sensing lever spring (sprocket feed).	98
Spacing trip lever bail cam plate. . . .	42	Paper Jam Alarm (Sprocket Feed)	
Spacing trip lever bail spring.	42	Bail spring	134
Spacing trip lever spring.	42	Switch position	133
Transfer slide spring	57	Wire bail	132
3. VARIABLE FEATURES		Paper Out Alarm Mechanism (Friction Type) (Later Design)	
Form-Out Mechanism		Lever.	99
Form feed-out nonrepeat slide spring	96	Lever spring.	99
Form-out lever backstop.	96	Switch	99
Nonrepeat slide	97	Print-Nonprint Solenoid Mechanism	
Solenoid lever	96	Contact button and solenoid pin alignment	125
Horizontal Tabulator Mechanism		Solenoid contact.	121
Cam plate stripper bail.	104	Solenoid plunger.	121
Columnar tabulator stops.	109	Solenoid energized	123
Horizontal tab blocking lever return spring.	107	Solenoid de-energized.	124
Horizontal tab intermediate bail spring	102	Suppression bar return spring (for units employing the print suppress solenoid mechanism)	122
Horizontal tab operating lever cam plate spring.	104	Timing Contact Mechanism (Operated by Selector)	
Horizontal tab operating lever cam plate	103	Alignment of operating lever with cam.	127
Horizontal tab operating lever extension link spring.	101	"B" contact springs	126
Horizontal tab operating lever link . .	101	Contact assembly position	127
Horizontal tab pawl spring.	107	Correction of timing.	129
Horizontal tab slide arm spring	104	"M" contact springs	126
Horizontal tab spacing trip lever. . . .	103		
Right margin adjustment	105		
Right margin tabulator stop (with wide shelf)	109		
Space suppression bypass spring. . . .	105		
Spacing cutout transfer bail set collar.	105		
Tabulator pawl horizontal adjustment .	108		
Tabulator pawl (preliminary)	106		

CONTENTS	PAGE
Operating lever spring	127
"S" - "B" contact springs	126
"S" - "M" contact gap	126
Timing verification, 11.00 unit code . .	128
Twin "B" contact springs	126
Twin springs ("M" contacts)	126
Transmitter Control Contacts (Later Design)	
Contact bracket	118
Normally open contact gap	118
Switch contact pressure	118
Transmitter Distributor Transfer Control Contacts	
Contact assembly bracket (final)	110
Contact assembly bracket (preliminary)	110
Normally closed contact spring	110
Normally open contact gap	110
Normally open contact spring	110
Transfer contact spring	110
Transmitter control contact gap	110
Transmitter Distributor Transfer Control Contacts (Later Design)	
Contact assembly bracket (final)	112
Contact assembly bracket (preliminary)	111
Contact spring	111
Normally open contact gap	111
Normally open contact spring	111
Transfer contact spring	111
Transmitter control contact gap	112
Two Color Ribbon Mechanism	
Contact activating lever	130
Contact gap	131
Contact spring	131
Ribbon levers	130
Universal Function Bar	
Coding	135
Upper Solenoid (for Applicable Units)	
Solenoid spring	119
Upper solenoid	119
Vertical Tabulator Mechanism	
Blocking lever	116
Blocking lever spring	117
Form-out pawl spring	95
Form-out stop plate position	116

CONTENTS	PAGE
Form start gear play	115
Function contact spring	117
Indexing disc	115
Line feed clutch trip lever spring . . .	117
Mounting bracket	115
Pointer	116
Switch contact pressure	116
Tabulation stop plate position	117
Transmitter control switch (single contact type)	117
Vertical tabulator bail spring	95
Vertical tabulator slide retainer	115
Vertical Tabulator Mechanism (For Bell System Switched Network Service)	
Blocking arm (form-out)	93
Blocking arm (vertical tab)	93
Form feed-out torsion spring	95
Form-out pawl spring	95
Form start gear play	90
Indexing disc	90
Mounting bracket	89
Off normal contact	
Contact bracket	94
Follower lever	94
Long contact spring	94
Short contact spring	94
Pointer adjustment	90
Transmitter control switch	
Contact bracket	91
Normally closed contact gap	92
Normally closed contact spring . . .	92
Normally open contact gap	91
Normally open contact spring	91
Transfer contact spring	91
Vertical tab blocking lever arm . . .	91
Vertical tab blocking lever spring .	91
Vertical tabulator bail spring	95
Vertical tabulator slide retainer	89

1. GENERAL

1.01 This section contains the specific requirements and adjustments for the 35 typing unit.

1.02 This section is reissued to include paper jam alarm, to add recent engineering changes and to delete the adjustment for typebox position (sprocket feed). Arrows in the margins indicate changes and additions.

CAUTION: REMOVE POWER FROM SET OR UNIT BEFORE MAKING ADJUSTMENTS.

1.03 The adjustments in this section are arranged in a sequence that should be followed if a complete readjustment of the unit is undertaken. A complete adjusting procedure should be read before attempting to make the adjustment. After an adjustment is completed, be sure to tighten any nuts or screws that may have been loosened, unless otherwise instructed.

1.04 The adjusting illustrations indicate tolerances, positions of moving parts, spring tensions, and the angle at which scales should be applied. The tools required to make adjustments and check spring tensions are not supplied with the equipment, but are listed in Section 570-005-800TC. Springs which do not meet the requirements, and for which there are no adjusting procedures, should be discarded and replaced by new springs.

1.05 References made to left, right, up, down, front, rear, etc, apply to the unit in its normal operating position as viewed from the front.

1.06 When a requirement calls for a clutch to be disengaged, the clutch shoe lever must be fully latched between its trip lever and latch-lever so that the clutch shoes release their tension on the clutch drum. When engaged, the clutch shoe lever is unlatched and the clutch shoes are wedged firmly against the clutch drum.

Note: When the main shaft is rotated by hand, the clutch does not fully disengage upon reaching its stop position. In order to relieve drag and permit the main shaft to rotate freely, apply pressure on the lug of the clutch disc with a screwdriver to cause it to engage its latch lever and fully disengage the clutch.

1.07 To manually operate the typing unit proceed as follows.

(a) Attach the TP312709 armature clip to the selector magnet armature by carefully placing the spring loop over the magnet terminal insulator. Press down to engage the hook of the clip on the underside of the armature and release. The spring tension of the armature clip will hold the selector armature in the marking (attracted) position.

(b) While holding the selector magnet armature operated by means of the armature clip, use the handwheel, included with the special tools for servicing 28 teletypewriter apparatus, to manually rotate the main shaft in a counterclockwise direction until all the

clutches are brought to their disengaged position.

(c) Fully disengage all clutches in accordance with 1.06, Note.

(d) Release the selector magnet armature momentarily to permit the selector clutch to engage.

(e) Rotate the main shaft slowly until all the pushlevers have fallen to the left of their selecting levers.

(f) Strip the pushlevers from their selector levers, which are spacing in the code combination of the character function that is being selected, and allow the pushlevers to move to the right.

(g) The pushlevers and the selector levers move in succession starting with the no. 1 to the no. 7; the no. 8 is always marking and is not equipped with a selector lever.

(h) Continue to rotate the main shaft until all operations initiated by the selector action clear through the unit.

1.08 Where adjustment instructions call for removal of components, assemblies, subassemblies or parts, all adjustments which the removal of these parts might facilitate should be made before the parts are replaced or as the equipment is reassembled. When a part mounted on shims is removed, the number of shims and their location should be noted so that the identical pile-up can be made when the part is replaced.

1.09 All electrical contact points should meet squarely. Contacts with the same diameter should not be out of alignment more than 25 percent of the contact diameter. Check contacts for pitting and corrosion and clean or bur-nish them before making specified adjustment or tolerance measurement. Avoid sharp kinks or bends in the contact springs.

CAUTION: KEEP ALL ELECTRICAL CONTACTS FREE OF OIL AND GREASE.

1.10 When making a complete adjustment of the unit, the following conditioning operations should be performed to prevent damage.

(a) Loosen the shift lever drive arm clamp screw (2.13).

- (b) Move the right and left vertical positioning lever eccentric studs (2.32 and 2.33) in rocker shaft brackets to their lowest position.
- (c) Loosen the two bearing stud mounting screws and the two connecting strip clamp screws in the horizontal positioning drive linkage (2.38).
- (d) Loosen the clamp screws and move the reversing slide brackets to their uppermost position (2.37).
- (e) Loosen the function reset bail blade mounting screws (2.36).
- (f) Loosen the carriage return lever clamp screw (2.49).
- (g) Loosen the clamp screws in the oscillating rail slide (2.44).
- (h) Loosen the reversing slide adjusting stud (2.37).
- (i) Loosen clamp and pivot screws on shift arm bearing bracket and move to extreme downward position (2.39).
- (j) Loosen the clamp screw on the shift drive pawl operating bail (2.41).
- (k) Check the following adjustments during each lubricating period.
 - (1) Printing carriage position (2.51).
 - (2) Printing hammer bearing stud (2.51).
 - (3) Printing hammer stop bracket. Also see Note in 2.54.
 - (4) Lower draw wire rope (2.45).
 - (5) Dashpot vent screw adjustment and check transfer slide for binds (2.50).

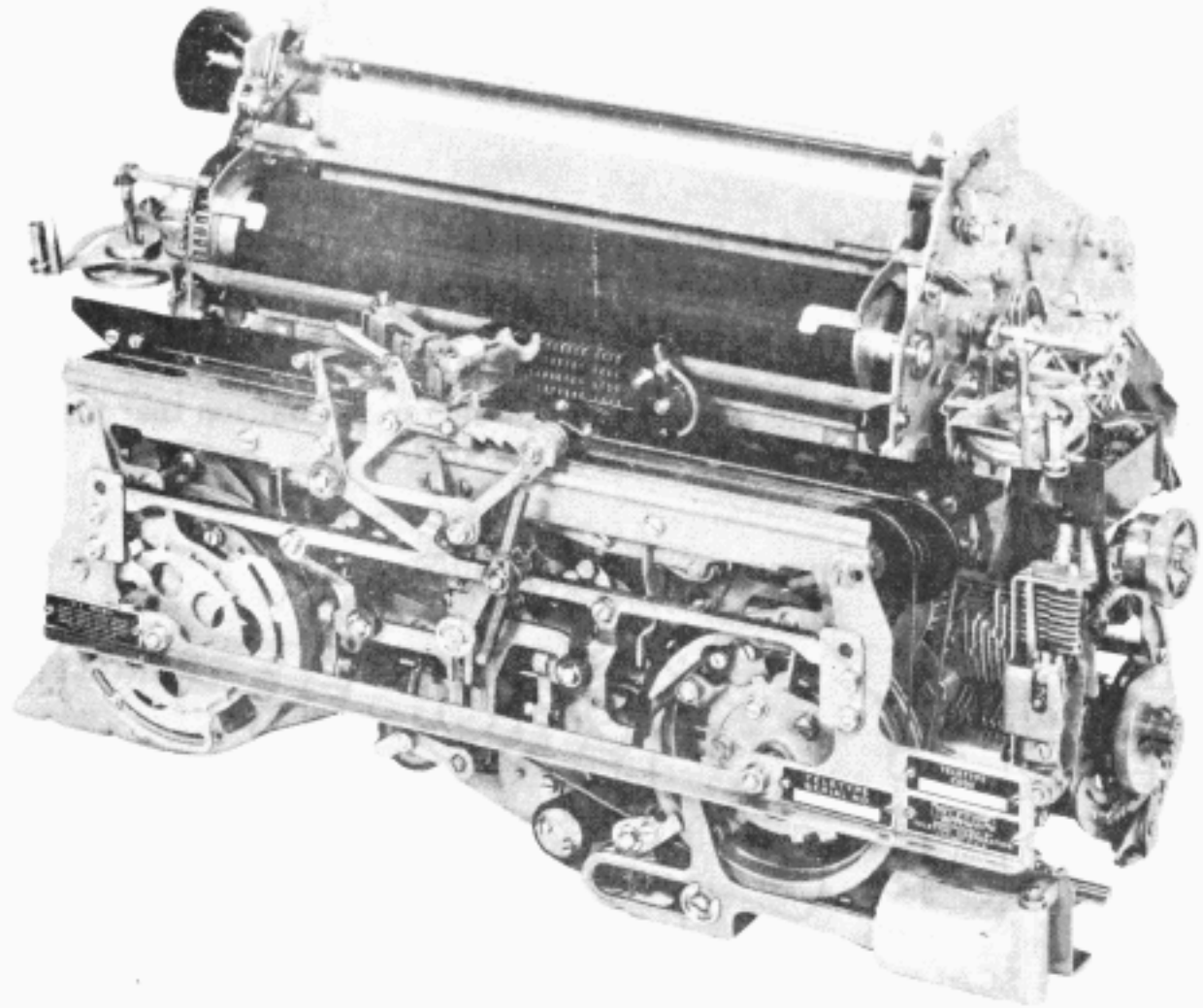


Figure 1 - 35 Typing Unit (Friction Feed)

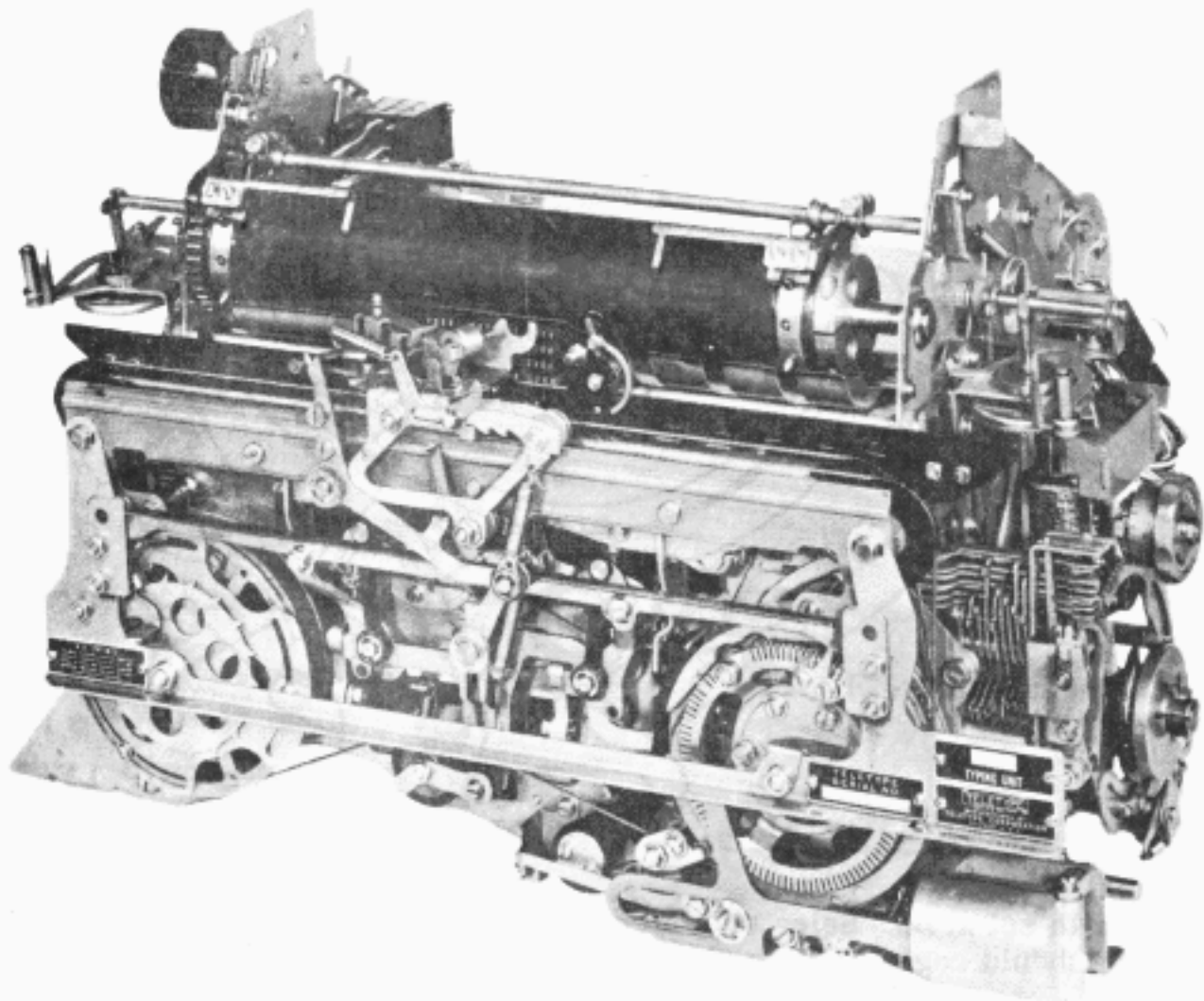


Figure 2 - 35 Typing Unit (Sprocket Feed)

2. BASIC UNITS

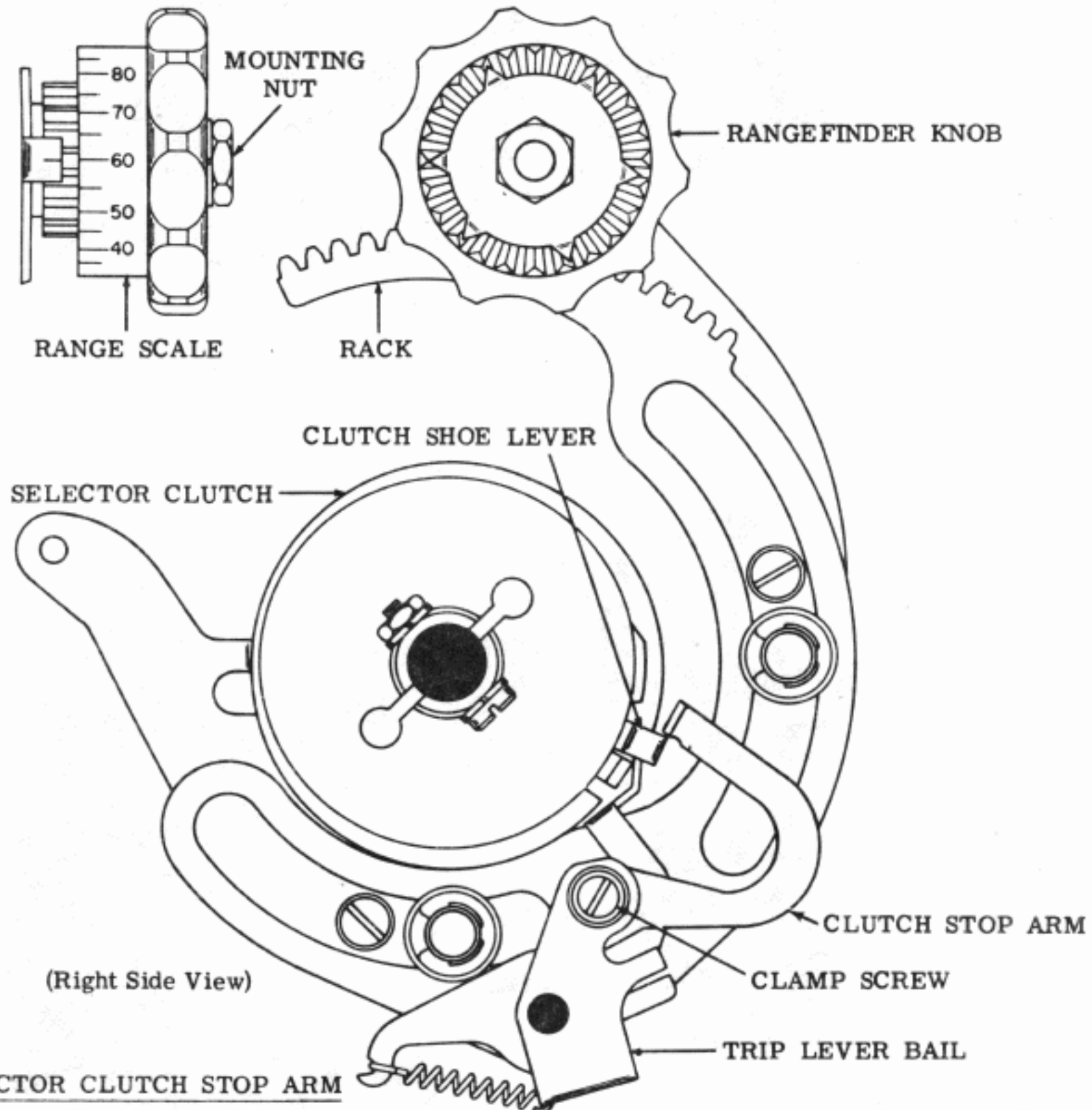
2.01 Selector Mechanism

(A) RANGEFINDER KNOB**Requirement**

With rangefinder knob turned to either end of rack, and inner teeth of knob and teeth of sector assembly engaged, Φ mark on scale should be within ± 3 divisions of scribed line on rangefinder plate.

To Adjust

Loosen knob mounting nut and engage teeth of sector in position that most closely aligns the mark on the plate with the Φ mark on the knob.

(B) SELECTOR CLUTCH STOP ARM**Requirement**

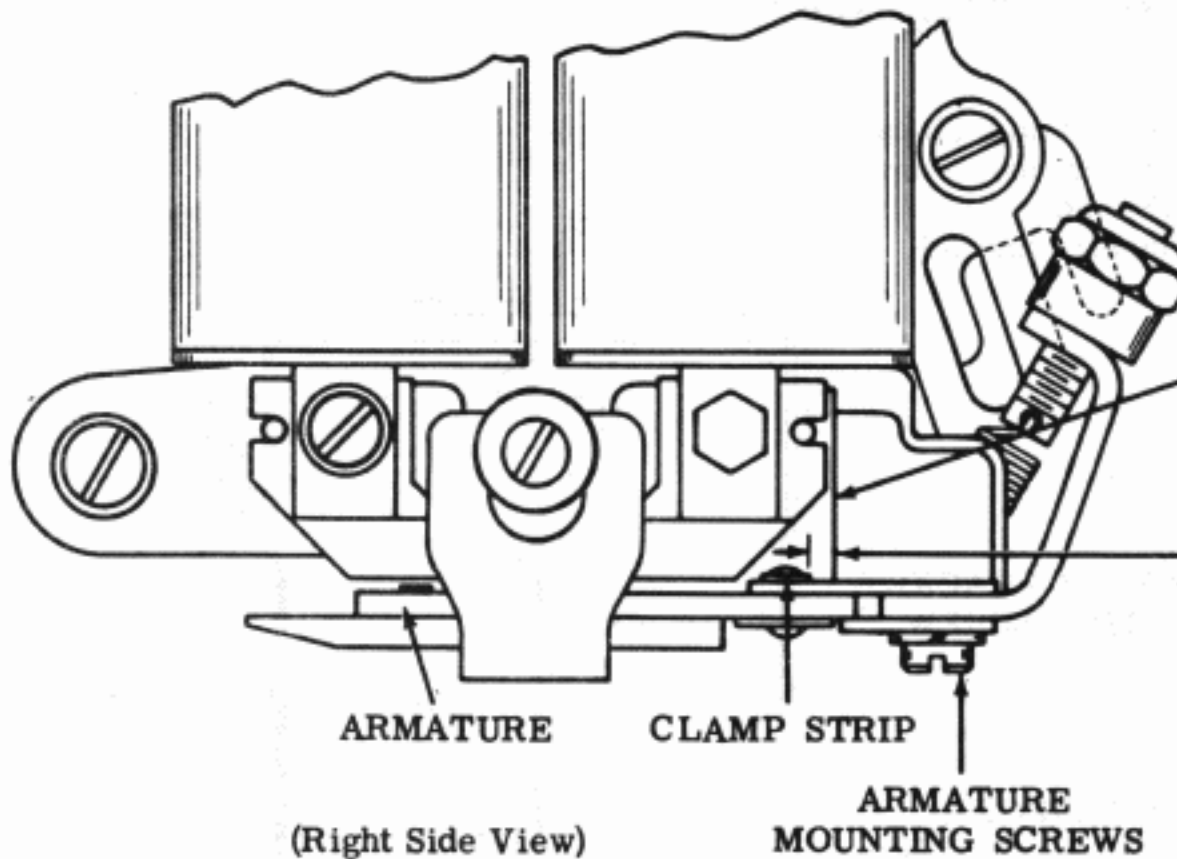
Range scale set at 60. Selector clutch disengaged. Armature in marking position. Clutch stop arm should engage clutch shoe lever by approximately full thickness of clutch stop arm.

To Adjust

Position stop arm on trip lever bail with clamp screw loosened.

2.02 Selector Mechanism (continued)

Note: To facilitate making the following adjustments, remove the rangefinder and selector magnet assemblies. To insure better operation, pull a piece of bond paper between the armature and the pole pieces to remove any oil or foreign matter that may be present. Make certain that no lint or pieces of paper remain between the pole pieces and armature.



SELECTOR ARMATURE

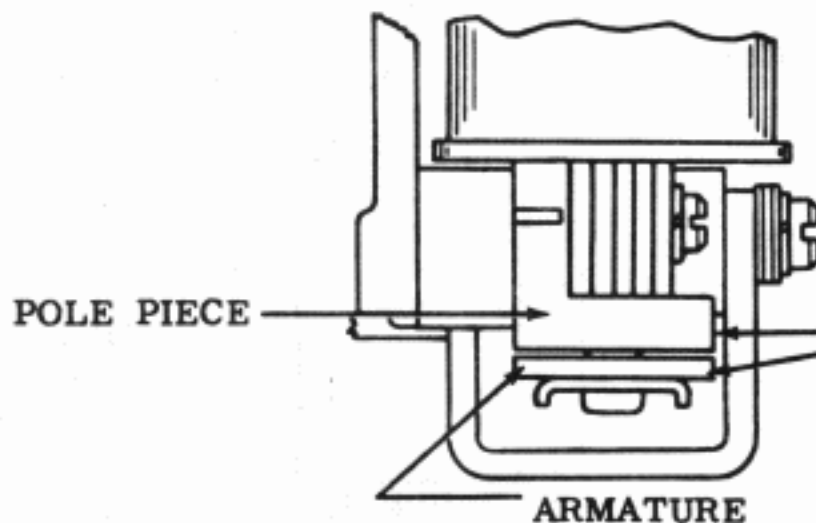
Note: This requirement need not be made nor checked if the selector magnet bracket and receiving margin requirements are met.

- (1) Requirement (Armature Clamp Strip)
Clearance between armature clamp strip and casting
Min 0.010 inch

To Adjust
Position armature spring adjusting nut to hold armature firmly against pivot edge of casting.

- (2) Requirement (Armature Alignment)
Outer edge of armature should be flush within Max 0.015 inch with outer edge of pole pieces.

To Adjust
Position armature and backstop with mounting screws loosened.



2.03 Selector Mechanism (continued)

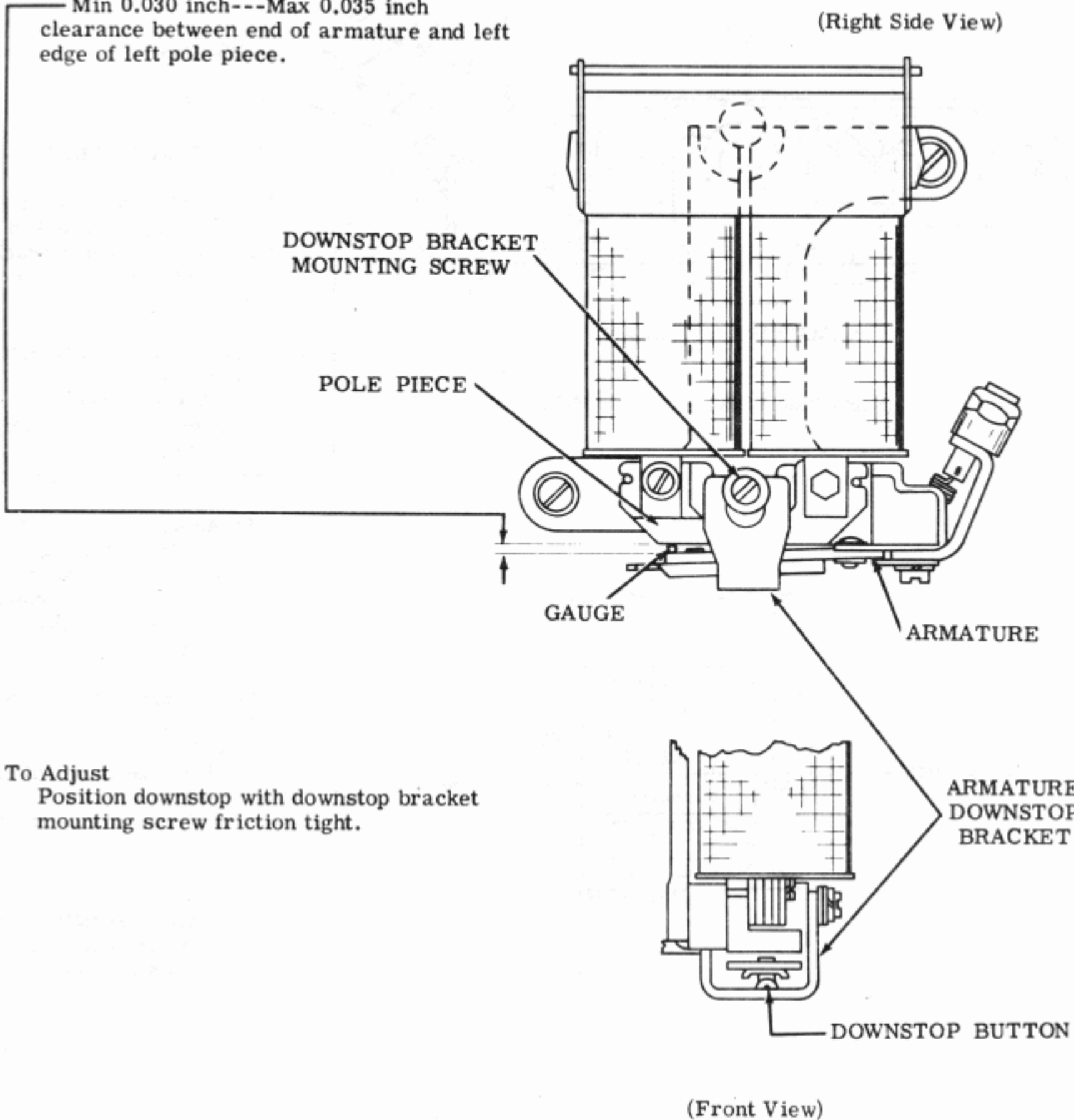
Note: Replace rangefinder and selector magnet assembly.

SELECTOR ARMATURE DOWNSTOP (PRELIMINARY)

Requirement

Magnet de-energized. Locklevers on high part of cam. With armature resting against downstop

Min 0.030 inch---Max 0.035 inch clearance between end of armature and left edge of left pole piece.



To Adjust
Position downstop with downstop bracket mounting screw friction tight.

2.04 Selector Mechanism (continued)

SELECTOR ARMATURE SPRING

(For Units Employing Selector Armature With Single Antifreeze Button Only)

Requirement (Preliminary)

With locklevers and start lever on high part of their cams, scale applied as nearly vertical as possible under end of armature extension. It should require the following tensions to move armature to marking position:

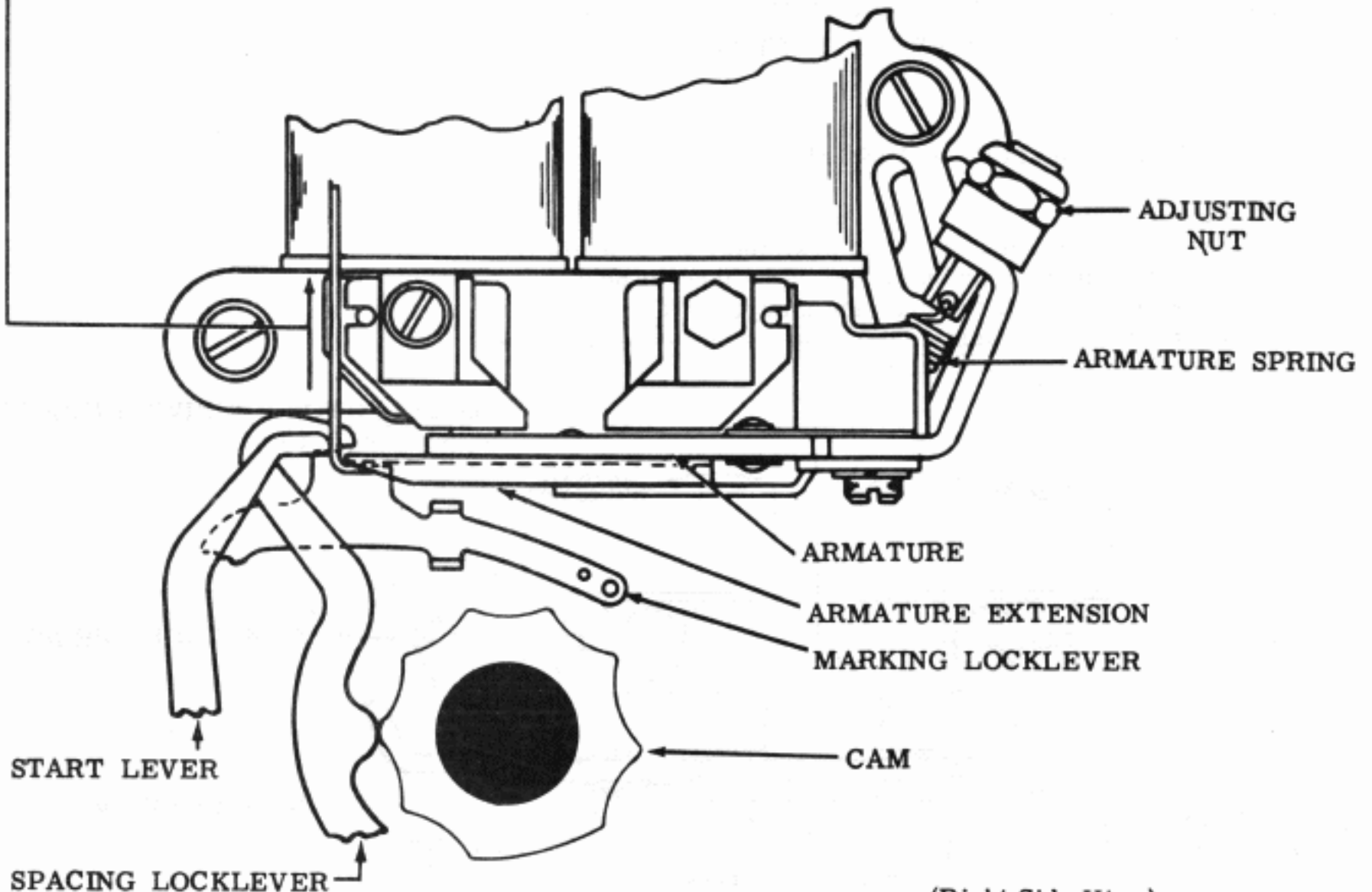
{	0.060 ampere – Min 2-1/2 oz---Max 3 oz
	0.030 ampere – Min 1-1/2 oz---Max 2 oz
	0.500 ampere – Min 4-1/2 oz---Max 5-1/2 oz

Note: This spring can be adjusted for maximum selector performance only when printer is connected to the specific circuit over which it is to operate under service conditions. Since there are several operating speeds and since circuits vary widely, it is impossible to adjust spring for maximum performance at the factory. The foregoing spring tension requirement is given to permit operation prior to measurement of receiving margins. Readjustment made to obtain satisfactory receiving margin should not be disturbed in order to meet requirements of this adjustment.

To Adjust
Position adjusting nut.

Requirement (Final)

See SELECTOR RECEIVING MARGIN adjustment (2.10).



(Right Side View)

2.05 Selector Mechanism (continued)

SELECTOR ARMATURE SPRING (PRELIMINARY)

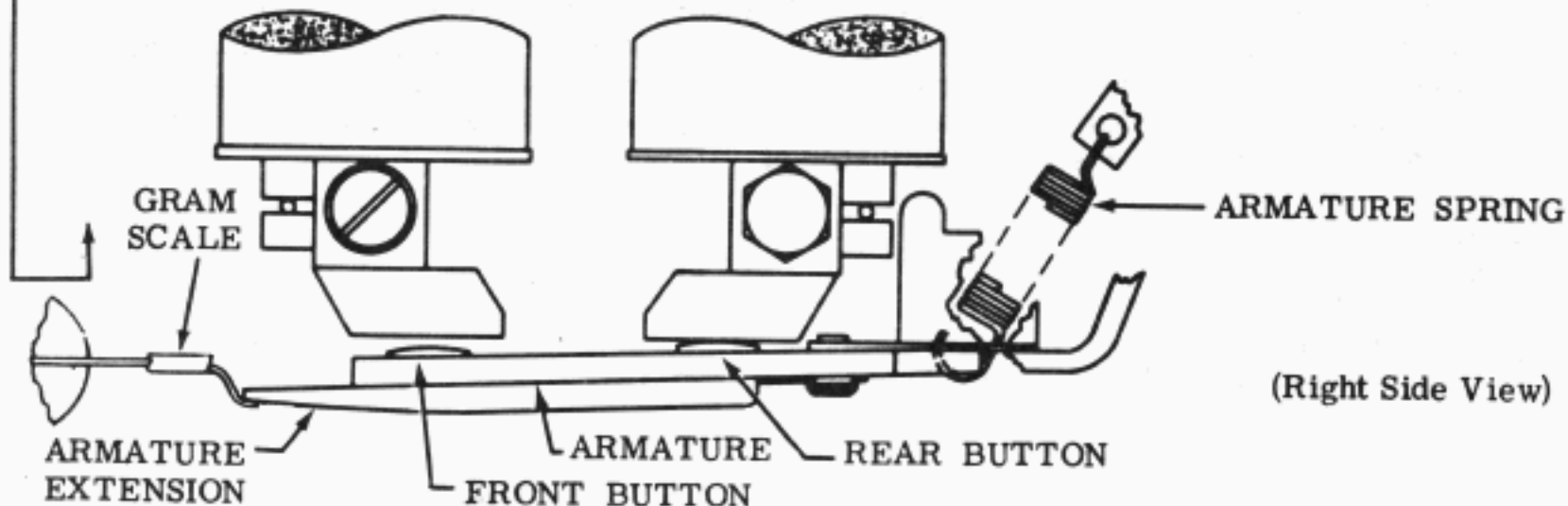
(For Units Employing Selector Armature With Two Antifreeze Buttons Only)

Requirement

With locklevers and start lever on high part of their cams, gram scale applied under end of armature extension, it should require approximately the following tensions to move the rear antifreeze button against the magnet core:

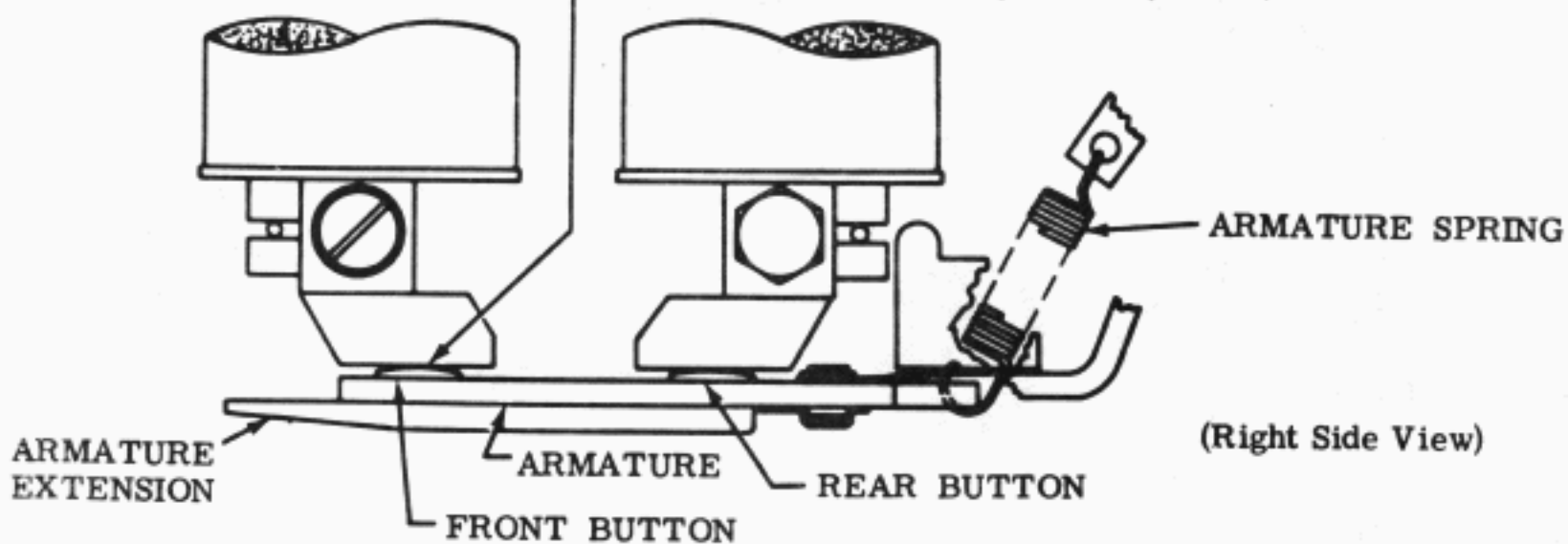
0.020 ampere	--	14 grams
0.030 ampere	--	18 grams
0.060 ampere	--	21 grams
0.500 ampere	--	28 grams

To Adjust
Position adjusting nut.

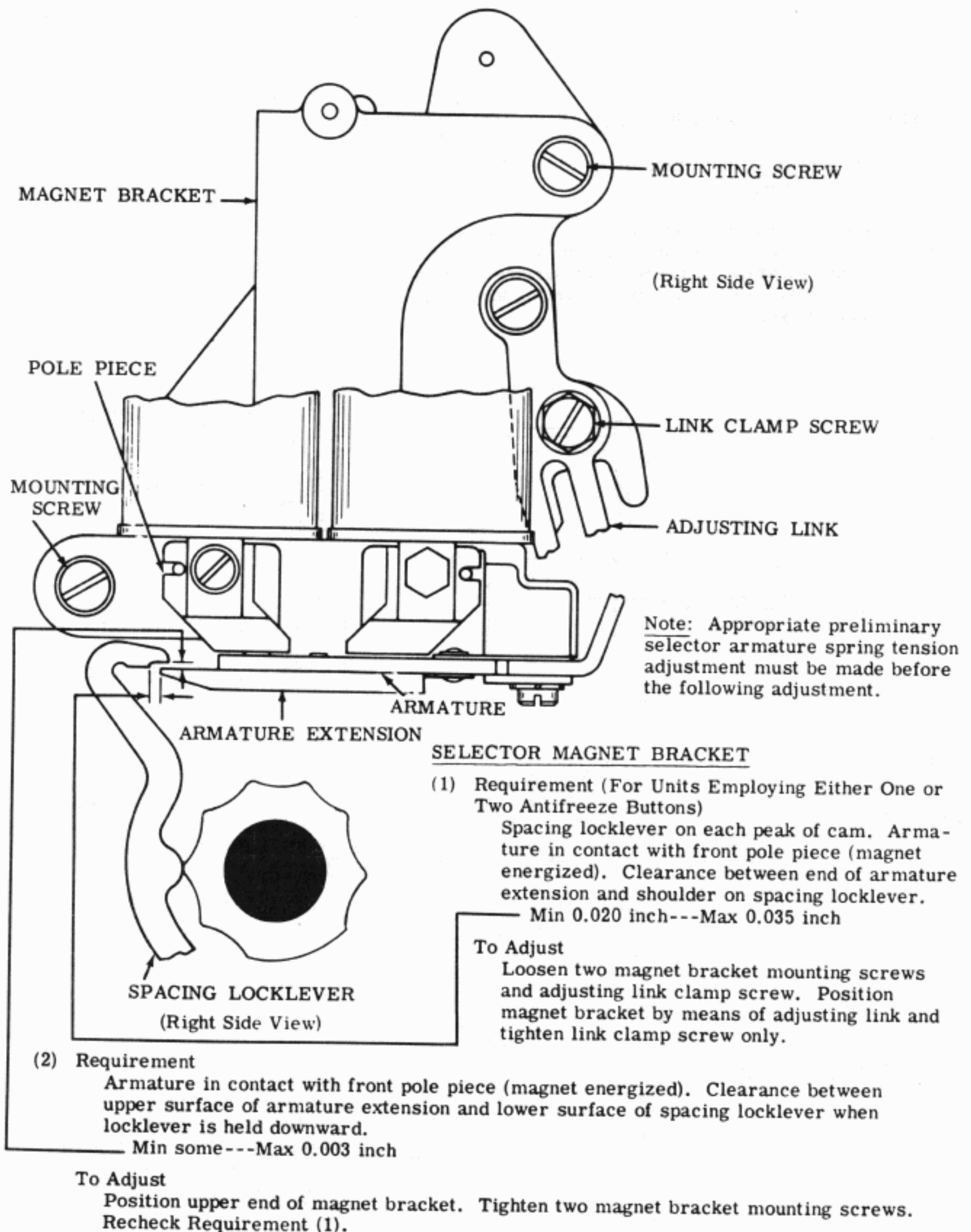
SELECTOR ARMATURE SPRING (FINAL)**Requirement**

When a Distortion Test Set is available, the selector armature spring tension should be refined, if necessary, to obtain satisfactory receiving margins. The front antifreeze button must contact the magnet core when the magnet coils are energized.

(See SELECTOR RECEIVING MARGIN
adjustment, 2.10.)



2.06 Selector Mechanism (continued)

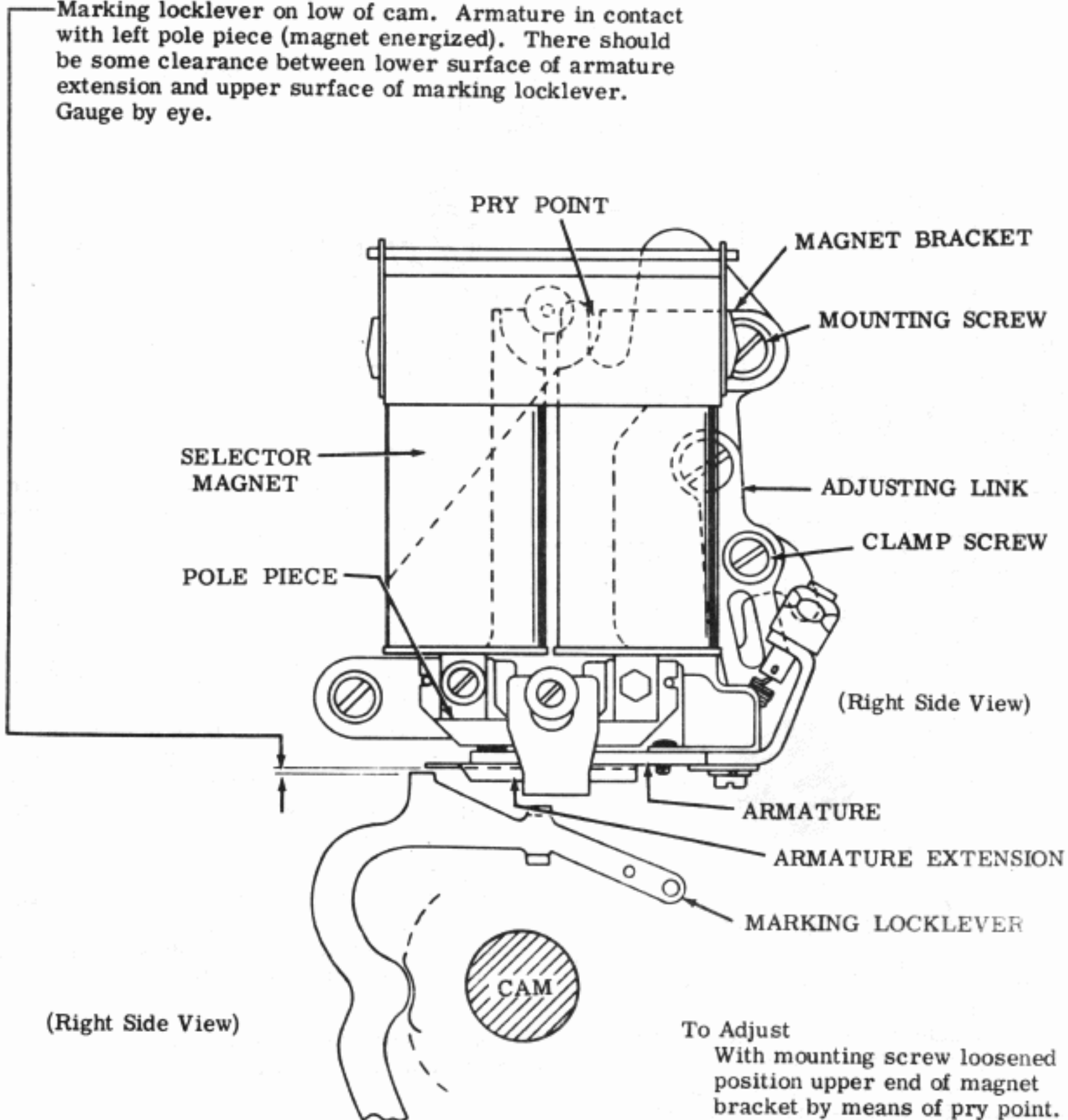


2.07 Selector Mechanism (continued)

SELECTOR MAGNET BRACKET (VERTICAL ADJUSTMENT)

Requirement (For Units Employing Either One or Two Antifreeze Buttons)

Marking locklever on low of cam. Armature in contact with left pole piece (magnet energized). There should be some clearance between lower surface of armature extension and upper surface of marking locklever. Gauge by eye.



To Adjust
 With mounting screw loosened position upper end of magnet bracket by means of pry point. Recheck Requirements (1) and (2) of SELECTOR MAGNET BRACKET (2.06).

2.08 Selector Mechanism (continued)

SELECTOR ARMATURE DOWNSTOP
(FINAL)

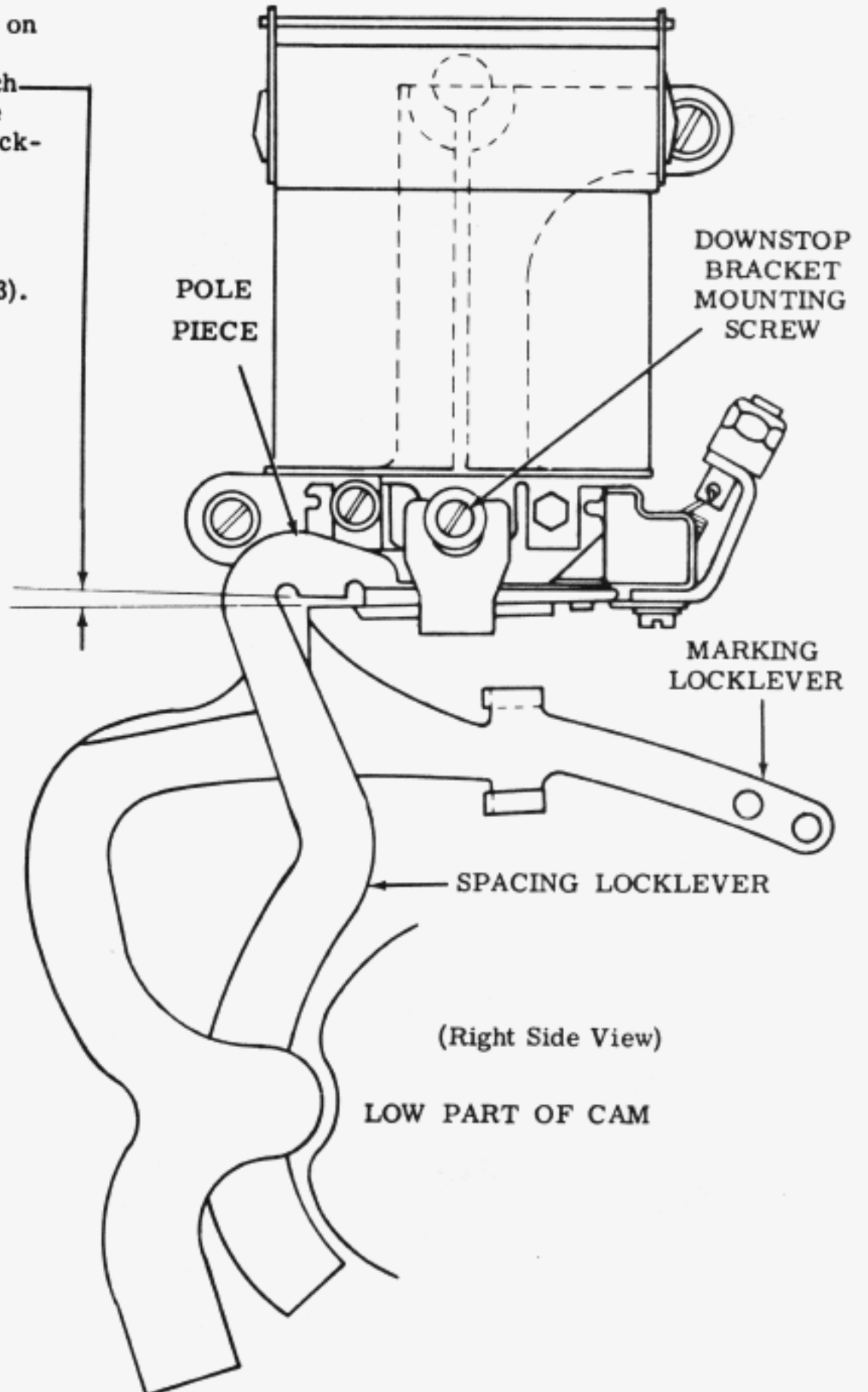
Requirement

Magnet de-energized. Locklevers on low part of their cams

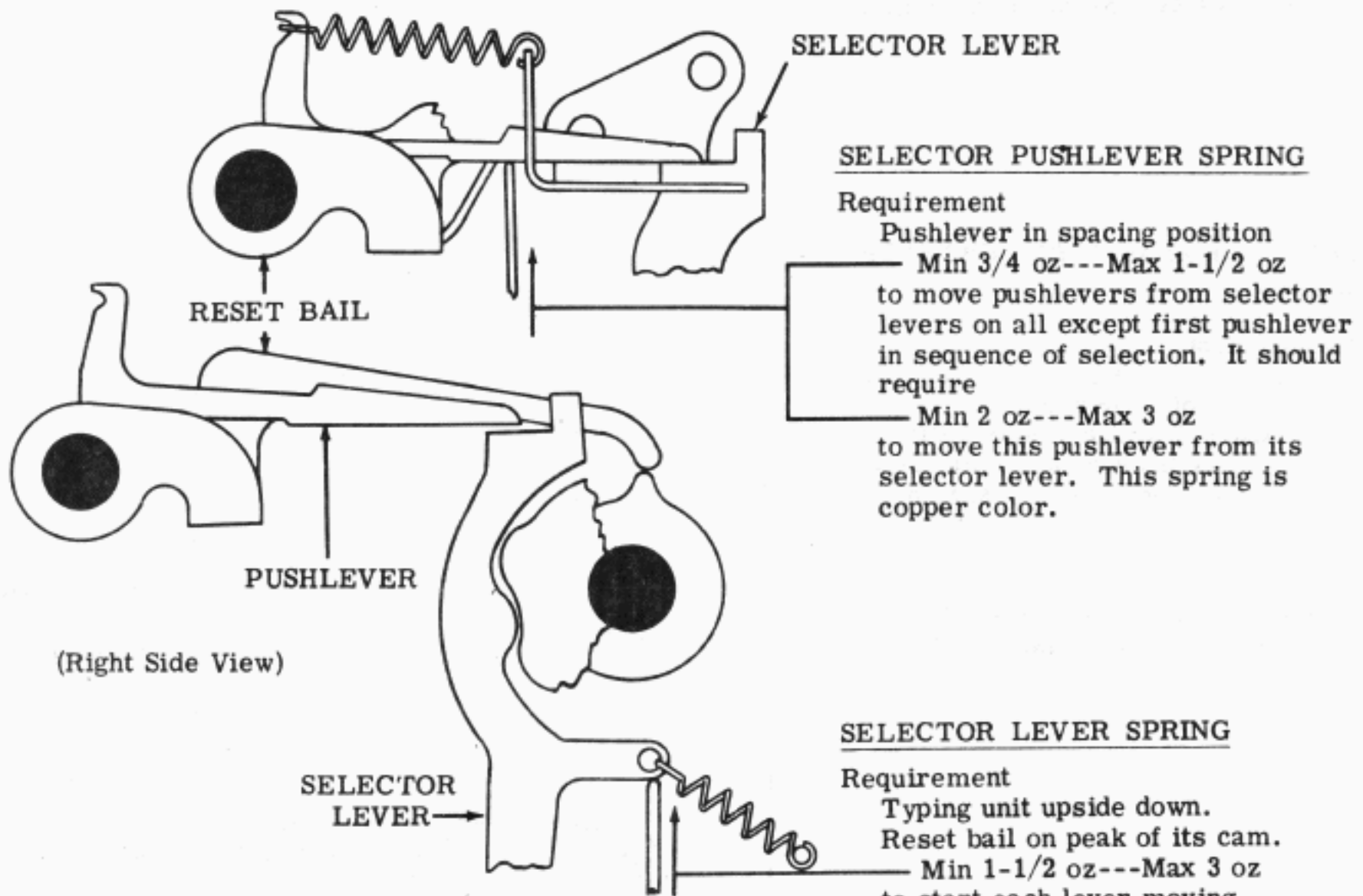
Min 0.005 inch---Max 0.015 inch clearance between top of armature extension and bottom of spacing lock-lever.

To Adjust

Refine SELECTOR ARMATURE DOWNSTOP (PRELIMINARY) (2.03).



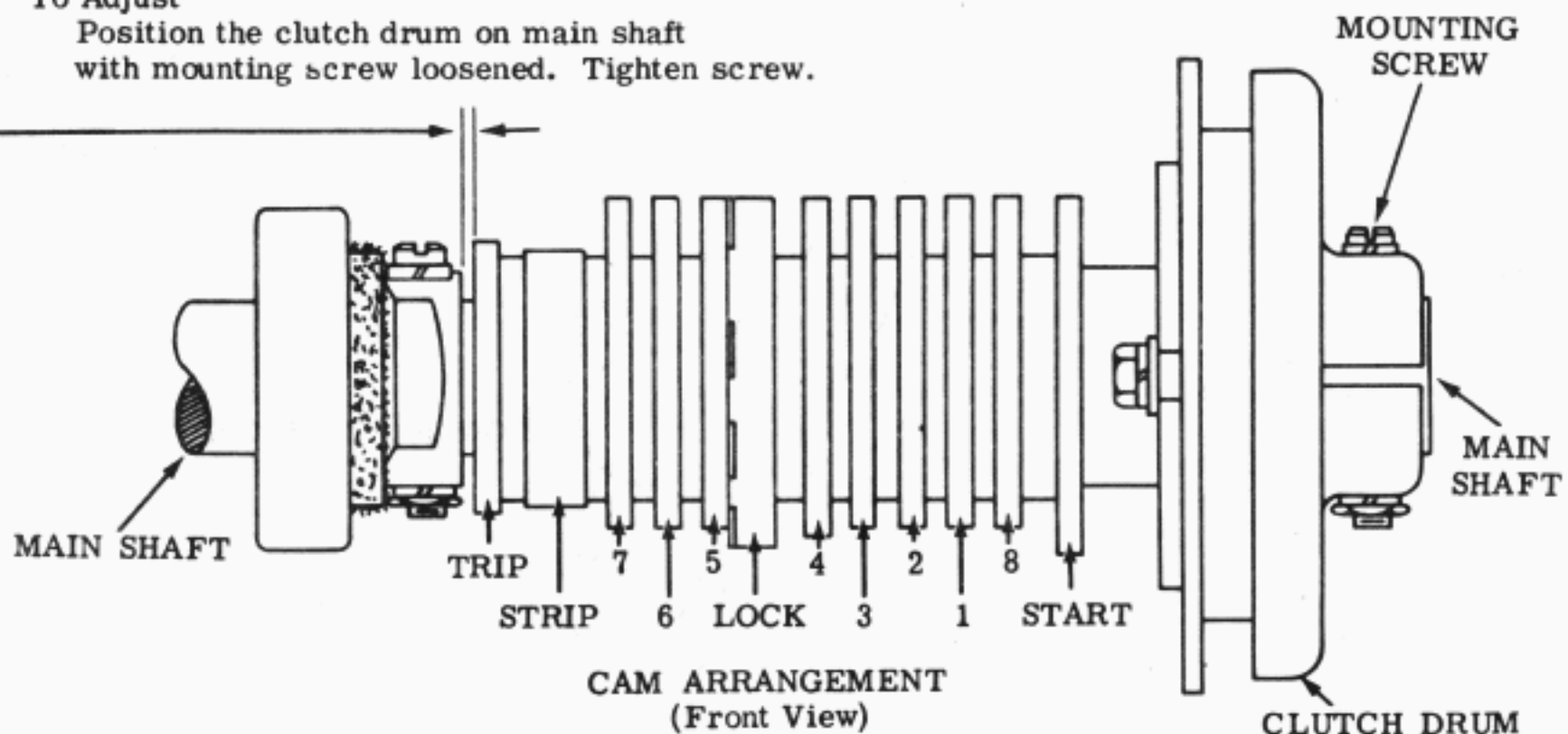
2.09 Selector Mechanism (continued)



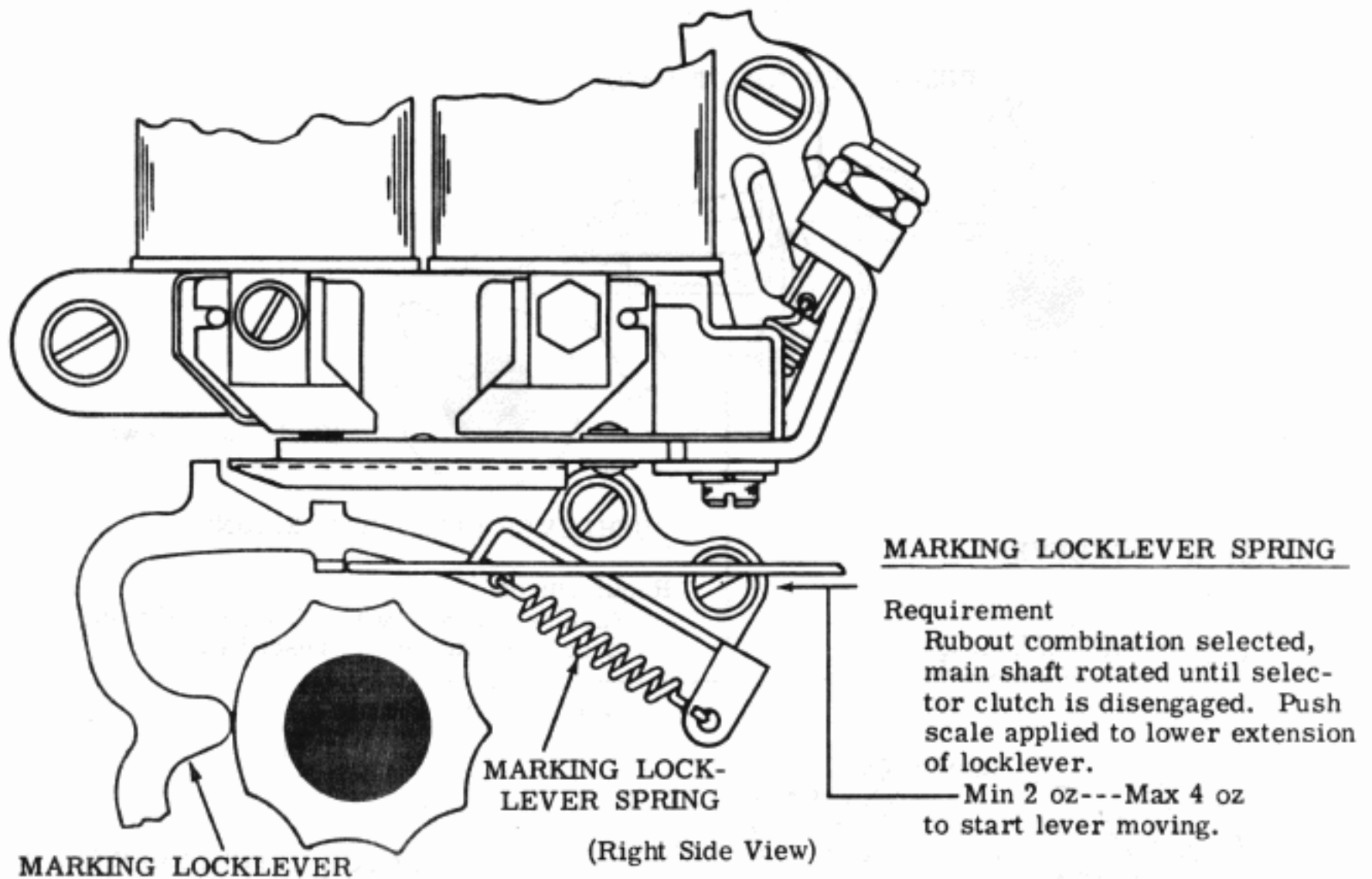
SELECTOR CLUTCH DRUM

Requirement
 Clutch latched in stop position. Cam-clutch assembly should have some endplay
 — Max 0.010 inch

To Adjust
 Position the clutch drum on main shaft with mounting screw loosened. Tighten screw.



2.10 Selector Mechanism (continued)



SELECTOR RECEIVING MARGIN

- (1) Requirement (For Units Employing Armature With One Antifreeze Button)
When a signal Distortion Test Set is used for determining the receiving margins of the selector, and where the condition of the components is equivalent to that of new equipment, the range and distortion tolerances below should be met.
- (2) Requirement (For Units Employing Armature With Two Antifreeze Buttons)
When a Distortion Test Set is available, the selector armature spring tension should be refined, if necessary, to obtain satisfactory receiving margins. The front antifreeze button must contact the magnet core when the magnet coils are energized.

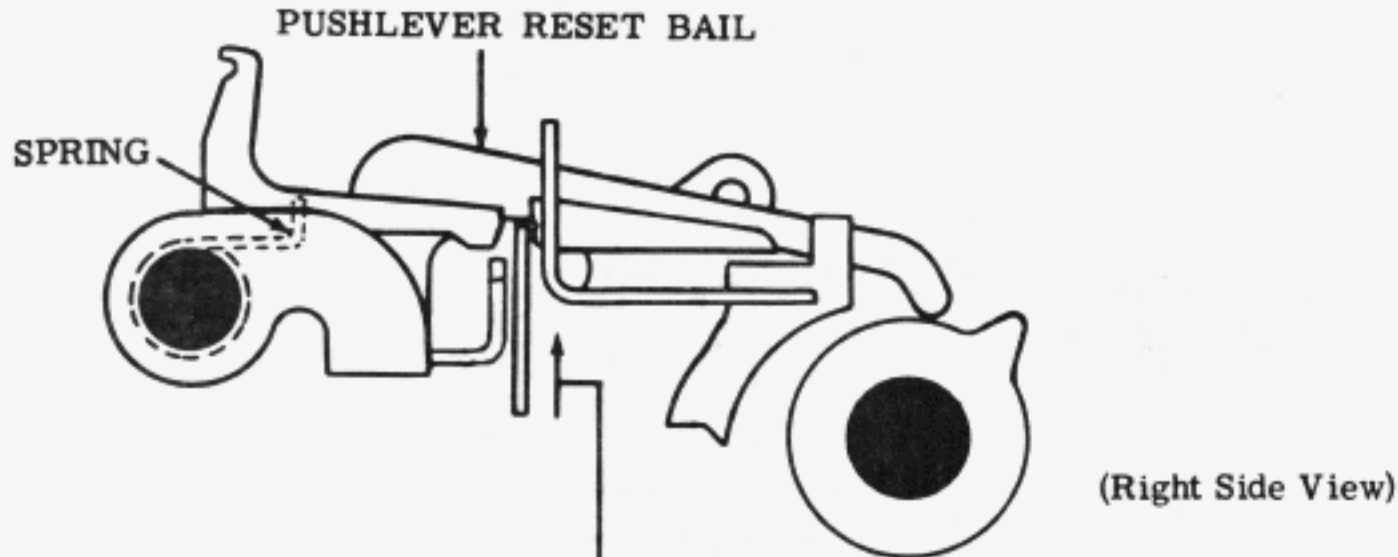
To Adjust

Refine the SELECTOR ARMATURE SPRING adjustments (2.04, 2.05).

Selector Receiving Margin Minimum Requirements

<u>Current</u>	<u>Speed in WPM</u>	<u>Points Range With Zero Distortion</u>	<u>Percentage of Marking and Spacing Bias</u>	<u>End Distortion Tolerated With Scale at Bias Optimum Setting</u>
0.500 Amp (Windings Parallel)	100	72	38	35
0.060 Amp (Windings Parallel) (For LP821 Only)	100	72	35	33

2.11 Selector Mechanism (continued)

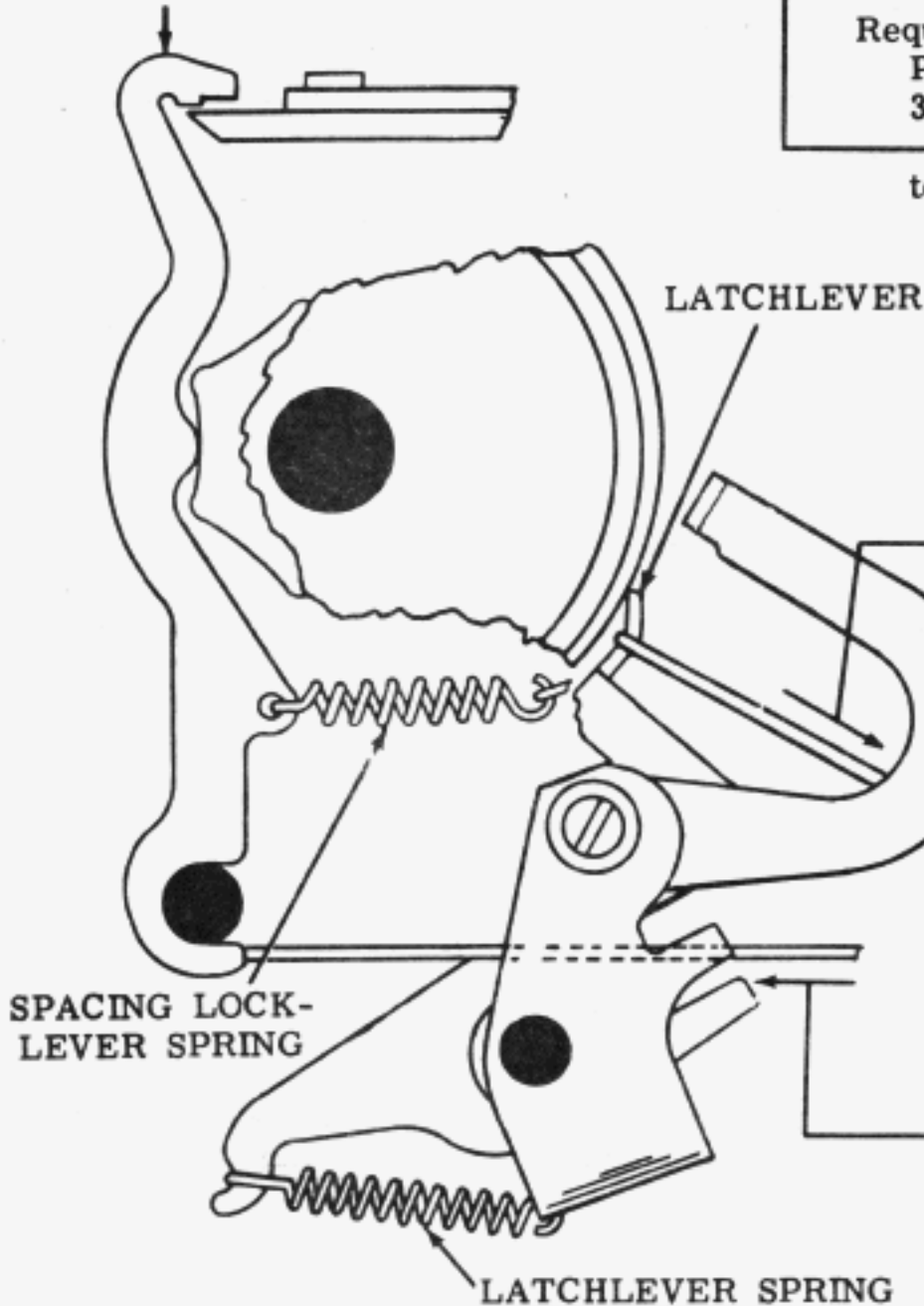


PUSHLER RESET BAIL SPRING

Requirement

Pushlever reset bail on low part of cam.
32 oz scale applied to reset bail.
Min 4 oz---Max 8 oz
to move bail from cam.

SPACING LOCKLEVER



SELECTOR CLUTCH LATCHLEVER SPRING

Requirement

Latch resting on low part of the clutch disc.
Min 2 oz---Max 3-1/2 oz
to start latch moving.

SPACING LOCKLEVER SPRING

Requirement

Selector armature released. Spacing locklever on low part of its cam. Spring scale applied to lower end of spacing locklever.
Min 3 oz---Max 6 oz
to move spacing locklever from its pivot shaft.

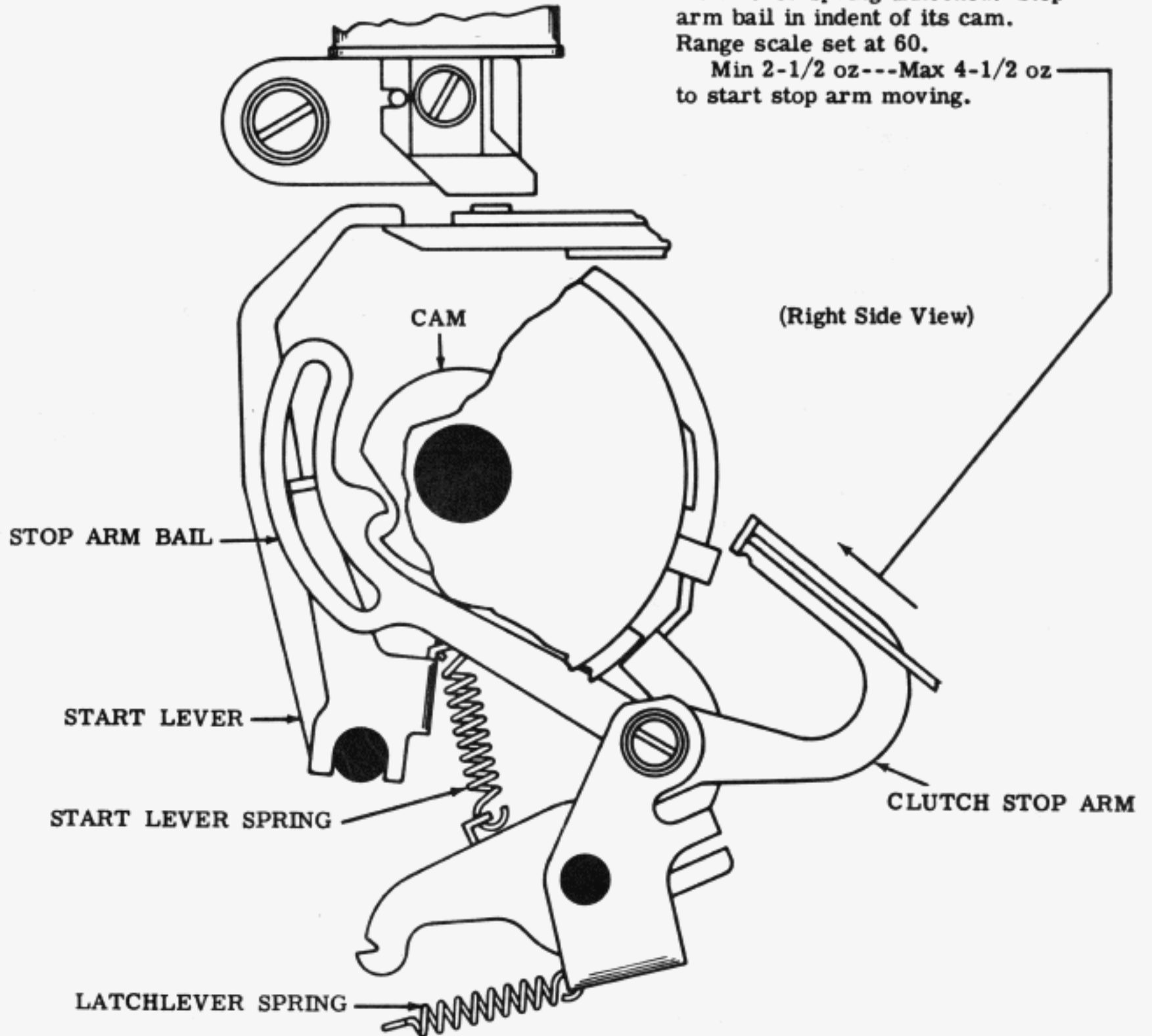
2.12 Selector Mechanism (continued)

START LEVER SPRING

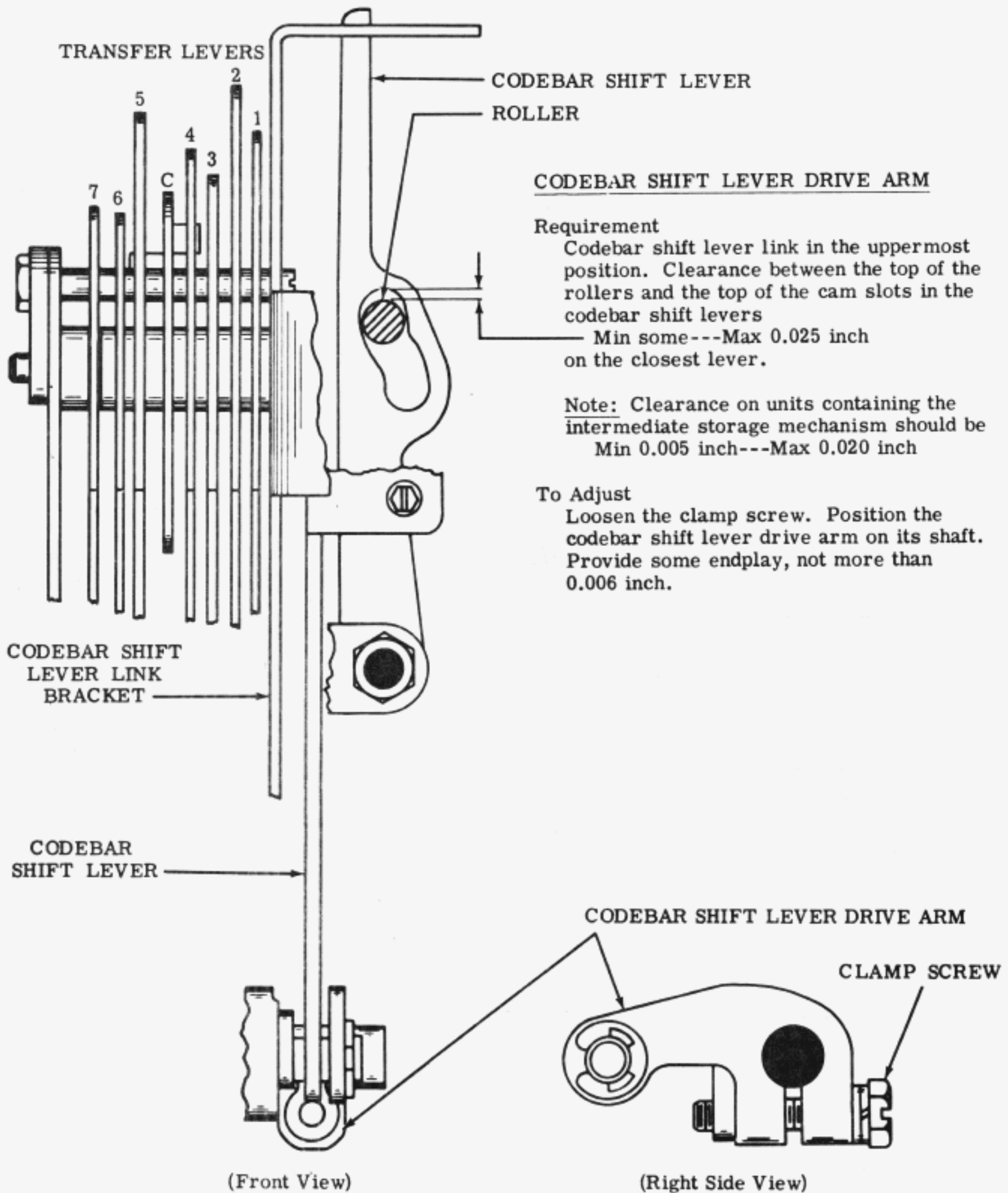
Requirement

Latchlever spring unhooked. Stop arm bail in indent of its cam. Range scale set at 60.

Min 2-1/2 oz---Max 4-1/2 oz to start stop arm moving.



2.13 Codebar Mechanism



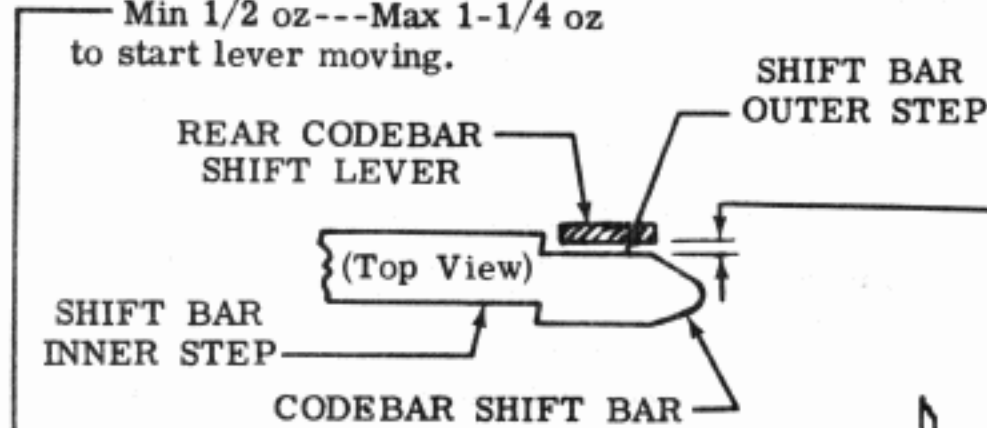
2.14 Codebar Mechanism (continued)

COMMON TRANSFER LEVER SPRING

Requirement

Transfer lever in spacing position. Scale applied near upper end of common transfer lever.

Min 1/2 oz---Max 1-1/4 oz to start lever moving.



TRANSFER LEVER ECCENTRIC

Requirement

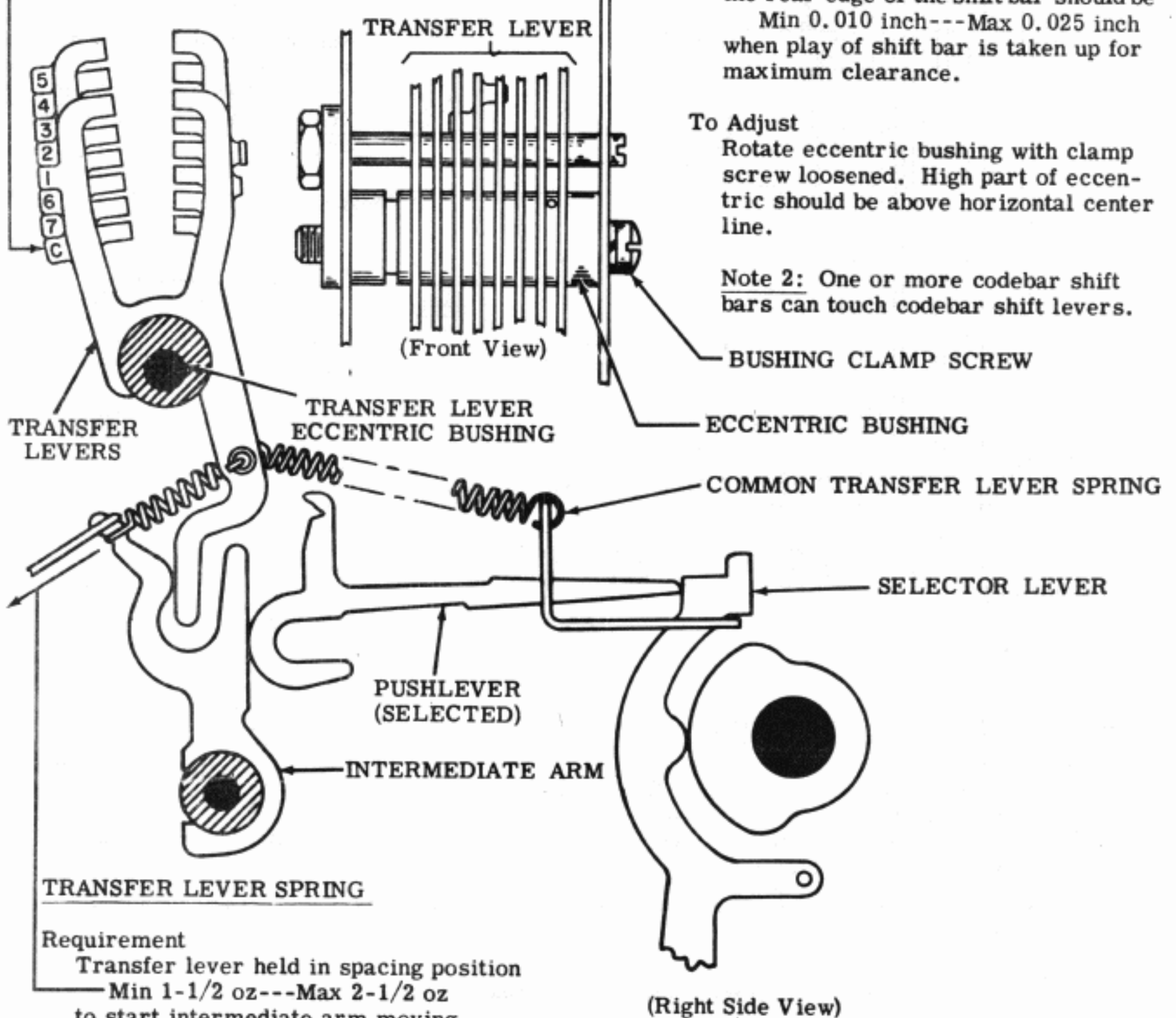
Pushlevers positioned for rubout. Selector clutch disengaged. Codebar shift lever link in uppermost position, clearance between rear codebar shift lever and rear edge of shift bar farthest from rear codebar shift lever Min 0.010 inch---Max 0.025 inch

Note 1: On units having the intermediate storage mechanism, the clearance between the rear shift lever and the rear edge of the shift bar should be Min 0.010 inch---Max 0.025 inch when play of shift bar is taken up for maximum clearance.

To Adjust

Rotate eccentric bushing with clamp screw loosened. High part of eccentric should be above horizontal center line.

Note 2: One or more codebar shift bars can touch codebar shift levers.



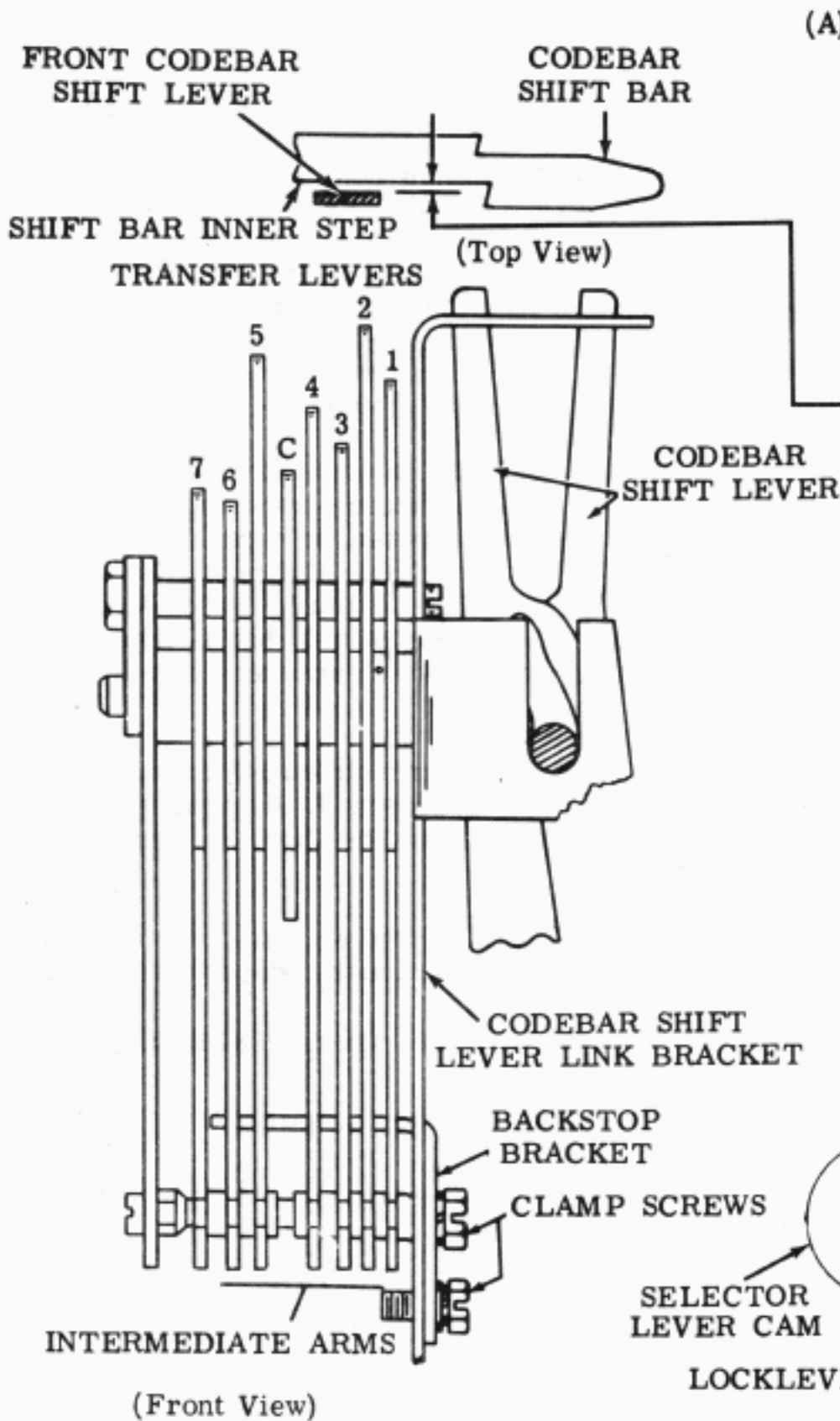
TRANSFER LEVER SPRING

Requirement

Transfer lever held in spacing position

Min 1-1/2 oz---Max 2-1/2 oz to start intermediate arm moving.

2.15 Codebar and Selector Mechanisms (continued)



(A) INTERMEDIATE ARM BACKSTOP BRACKET

Requirement

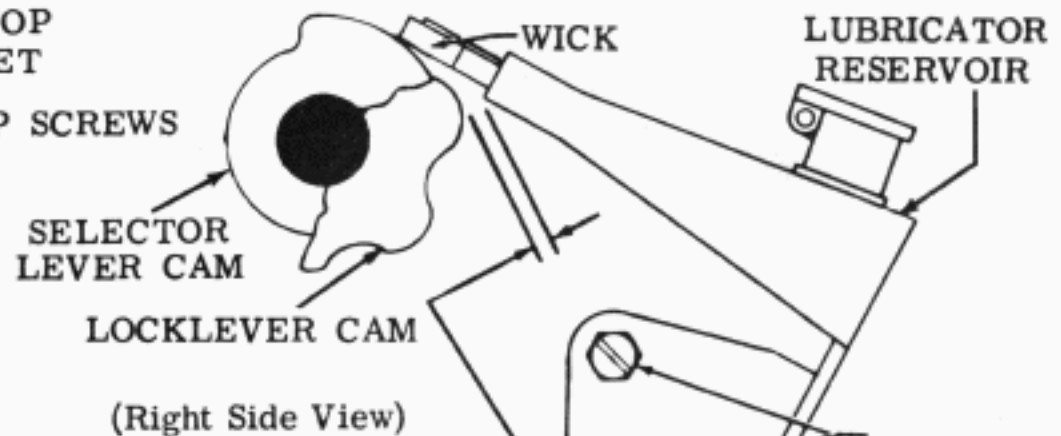
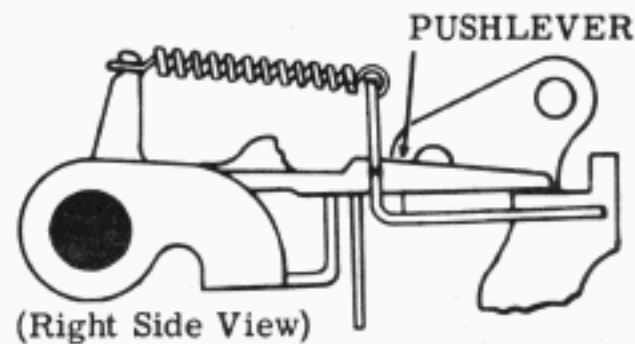
Pushlevers not selected. All codebar shift bars to the right. Selector clutch disengaged. Codebar shift lever link in lowermost position. Clearance between front codebar shift lever and the front edge of the inner step of the codebar shift bar farthest from front codebar shift lever

Min 0.010 inch---Max 0.025 inch when play in parts is taken up for maximum clearance.

To Adjust

Position backstop bracket with its two clamp screws loosened.

Note: Number 7 codebar shift bar does not have to meet the maximum requirement until the SHIFT SELECTOR ARM BELLCRANK (2.43) adjustment has been made.



(B) SELECTOR CAM LUBRICATOR

Requirement

The lubricator tube should clear the high part of the locklever cam
Min 0.020 inch

The high part of the selector lever cams should touch the lubricator wick, but should not raise it more than 1/32 inch.

Note: There should be some clearance between the marking locklever spring and the reservoir.

To Adjust

Position the lubricator bracket with its mounting screws loosened.

2.16 Codebar Mechanism (continued)

CODEBAR SHIFT LEVER

Requirement

Motion of front and rear codebar shift levers should be equalized with respect to codebar travel.

(1) To Check (Front)

Select blank combination and rotate main shaft until codebar shift lever link reaches highest travel. Take up play for maximum clearance. Clearance between front codebar shift lever and shoulder on nearest codebar shift bar

Min 0.002 inch---Max 0.025 inch

(2) To Check (Rear)

Select rubout combination. Check clearance between rear codebar shift lever and shoulder on nearest codebar shift bar in same way.

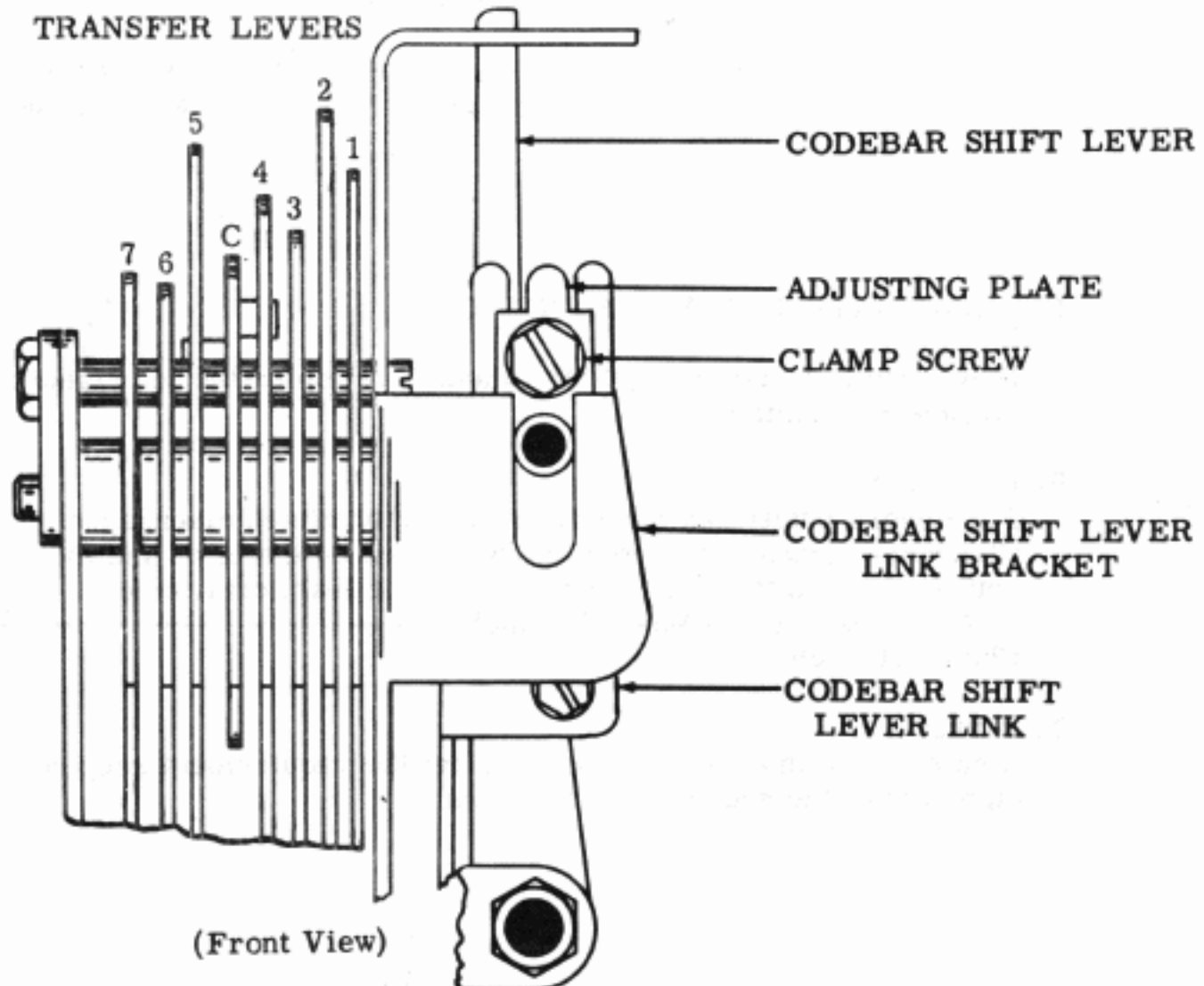
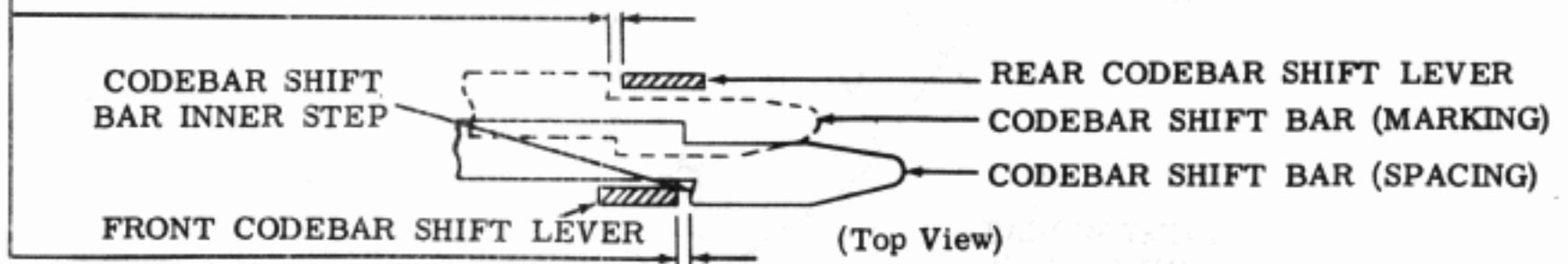
Min 0.002 inch---Max 0.025 inch

Note: The clearance on units containing the intermediate storage mechanism should be

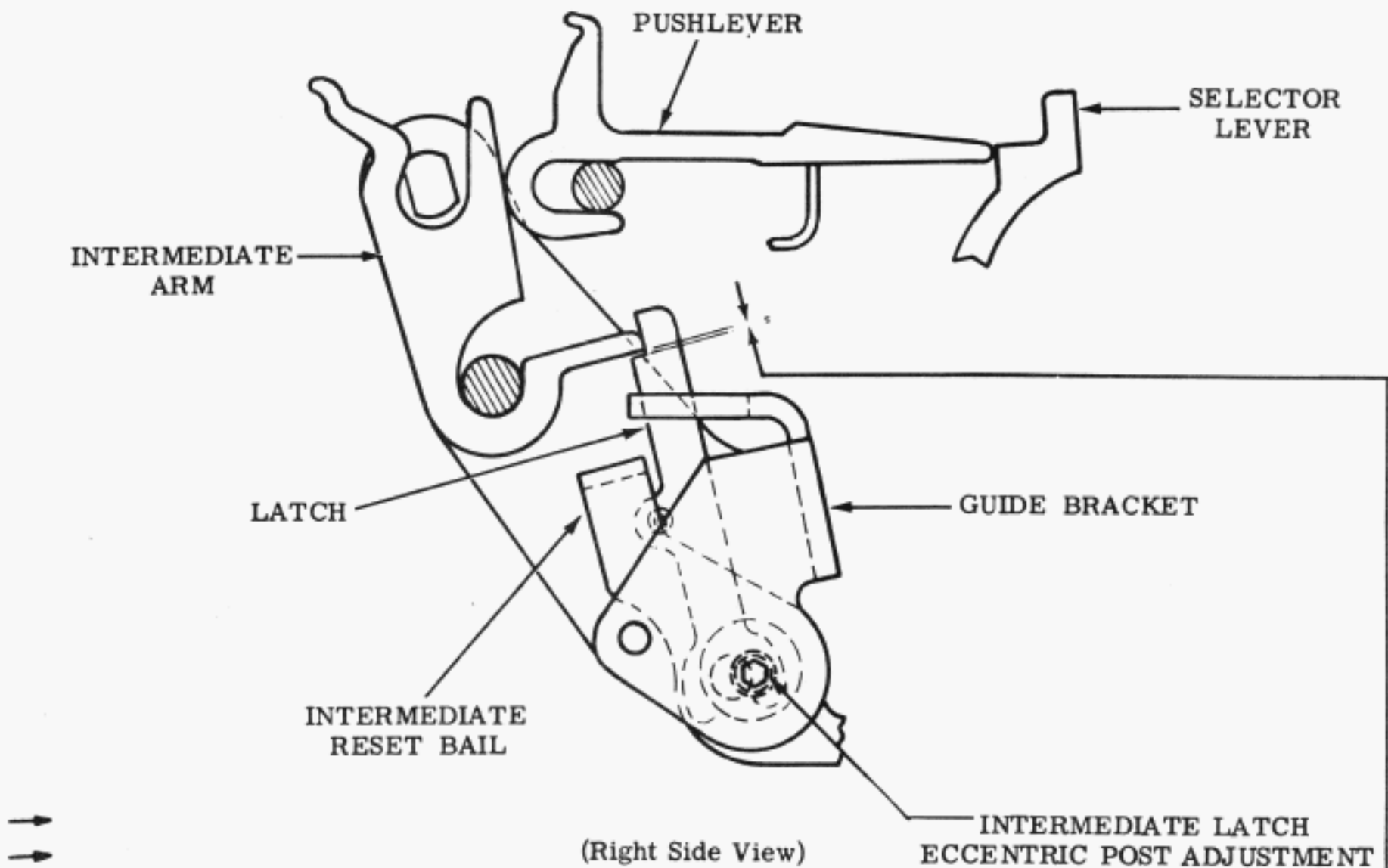
Min 0.002 inch---Max 0.012 inch

To Adjust

Position adjusting plates (front and rear) with clamp screws loosened.



2.17 Codebar Mechanism (continued)



INTERMEDIATE LATCH ECCENTRIC

Note: This adjustment applies to units containing the intermediate storage mechanism.

Requirement

Pushlevers positioned for rubout. Selector clutch disengaged. Clearance between the top of latch surface on the latch and the bottom of the intermediate arm having the least clearance.

Min 0.002 inch---Max 0.006 inch

Check all latches.

To Adjust

Rotate the latch eccentric post to meet the requirement keeping the high part of the eccentric to the front.

2.18 Codebar Mechanism (continued)

(A) INTERMEDIATE RESET LEVER SPRING

Note: This adjustment applies to units containing the intermediate storage mechanism.

Requirement

With the intermediate reset lever in its unoperated position and the spring removed from the lever

Min 1 oz---Max 2 oz _____
to stretch the spring to its installed length. Replace the spring.

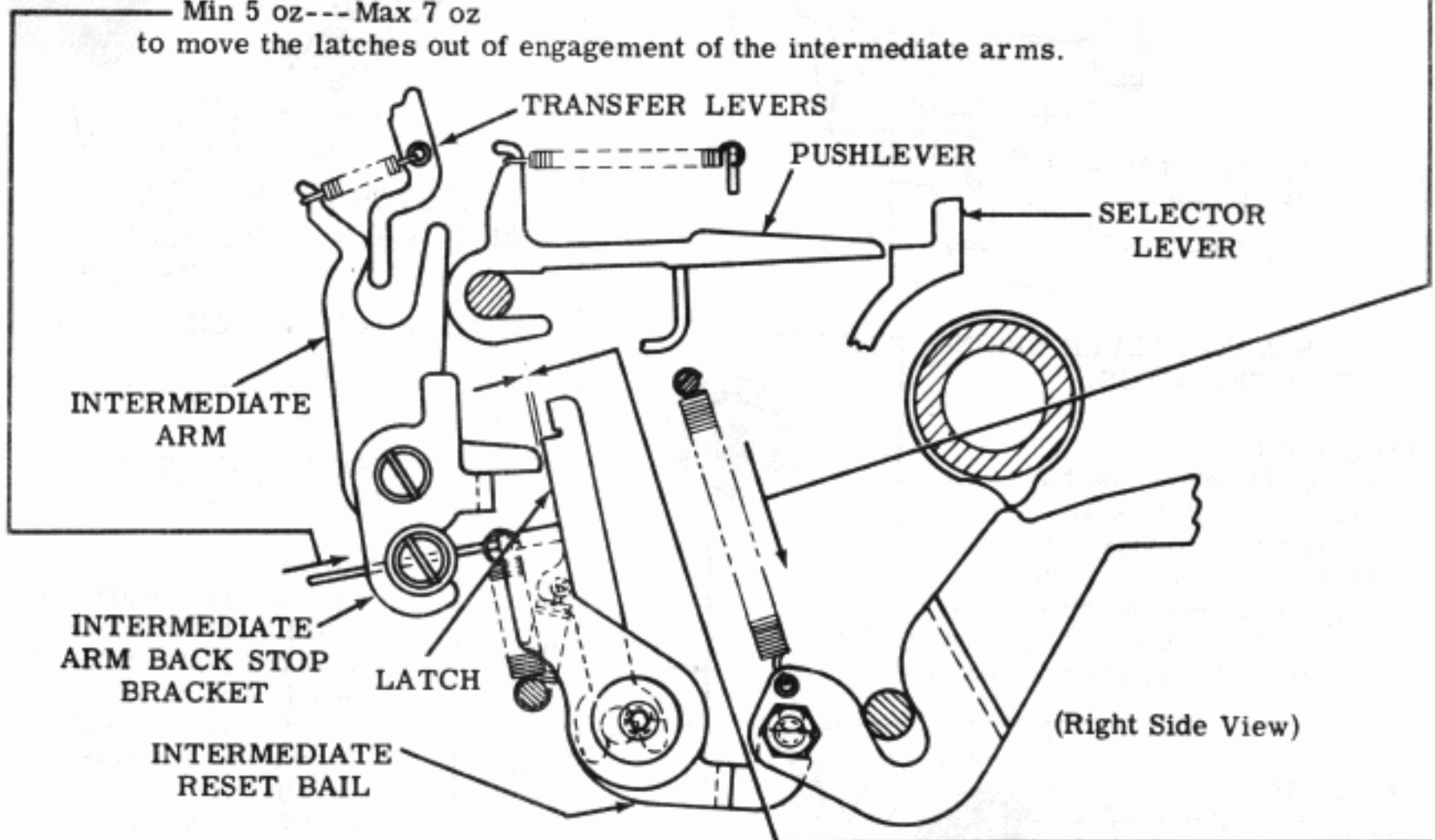
(B) INTERMEDIATE RESET BAIL SPRING

Note: This adjustment applies to units containing the intermediate storage mechanism.

Requirement

With all pushlevers in the marking condition and the latches in a latched position, push against the reset bail at the spring hole

Min 5 oz---Max 7 oz _____
to move the latches out of engagement of the intermediate arms.

(C) INTERMEDIATE RESET BAIL ECCENTRIC

Note 1: This adjustment applies to units containing the intermediate storage mechanism (for applicable unit).

Requirement

With the intermediate reset lever on the high part of its cam. Clearance between the latch and the intermediate arm should be

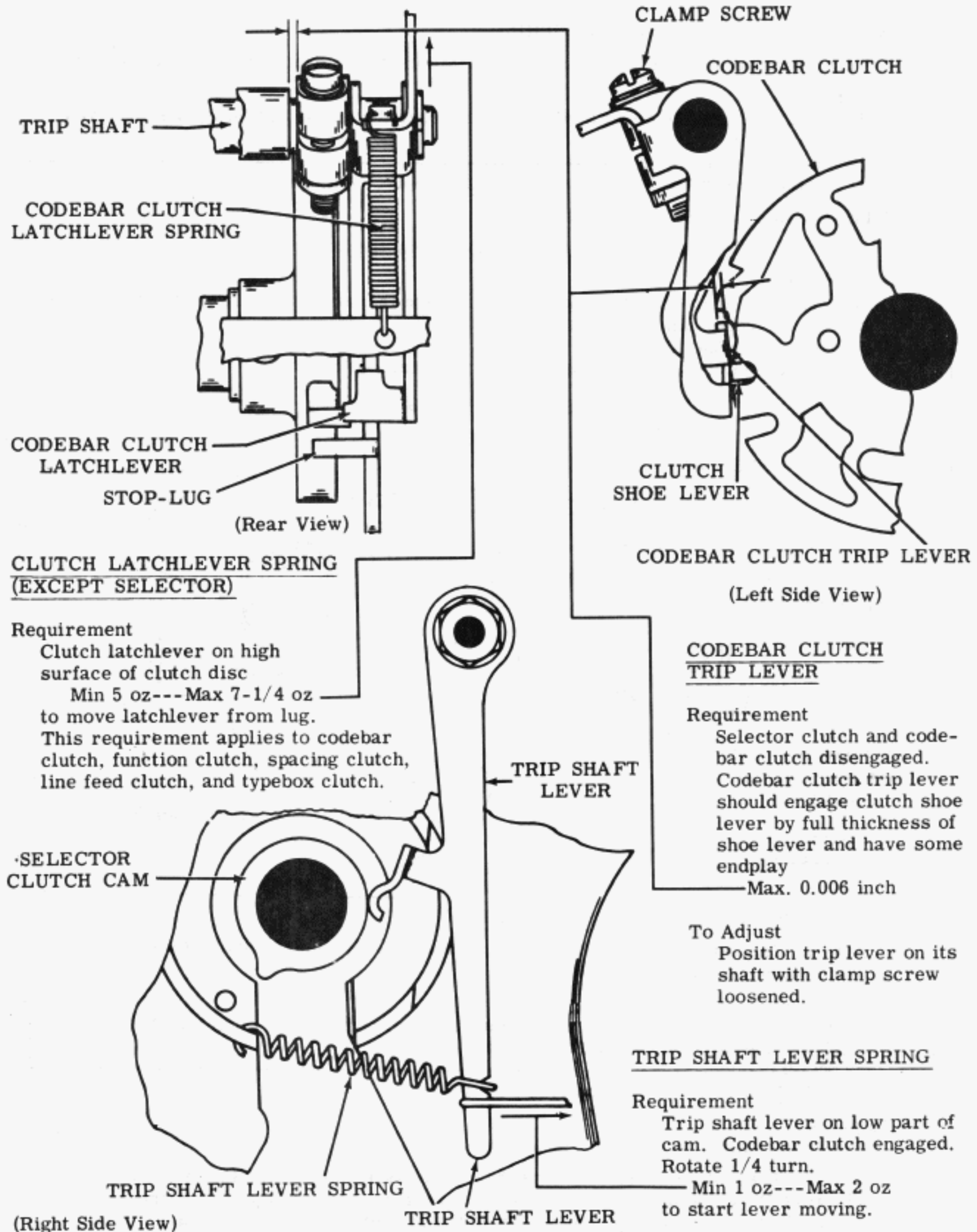
Min 0.010 inch _____
with the high part of the eccentric to the rear.

To Adjust

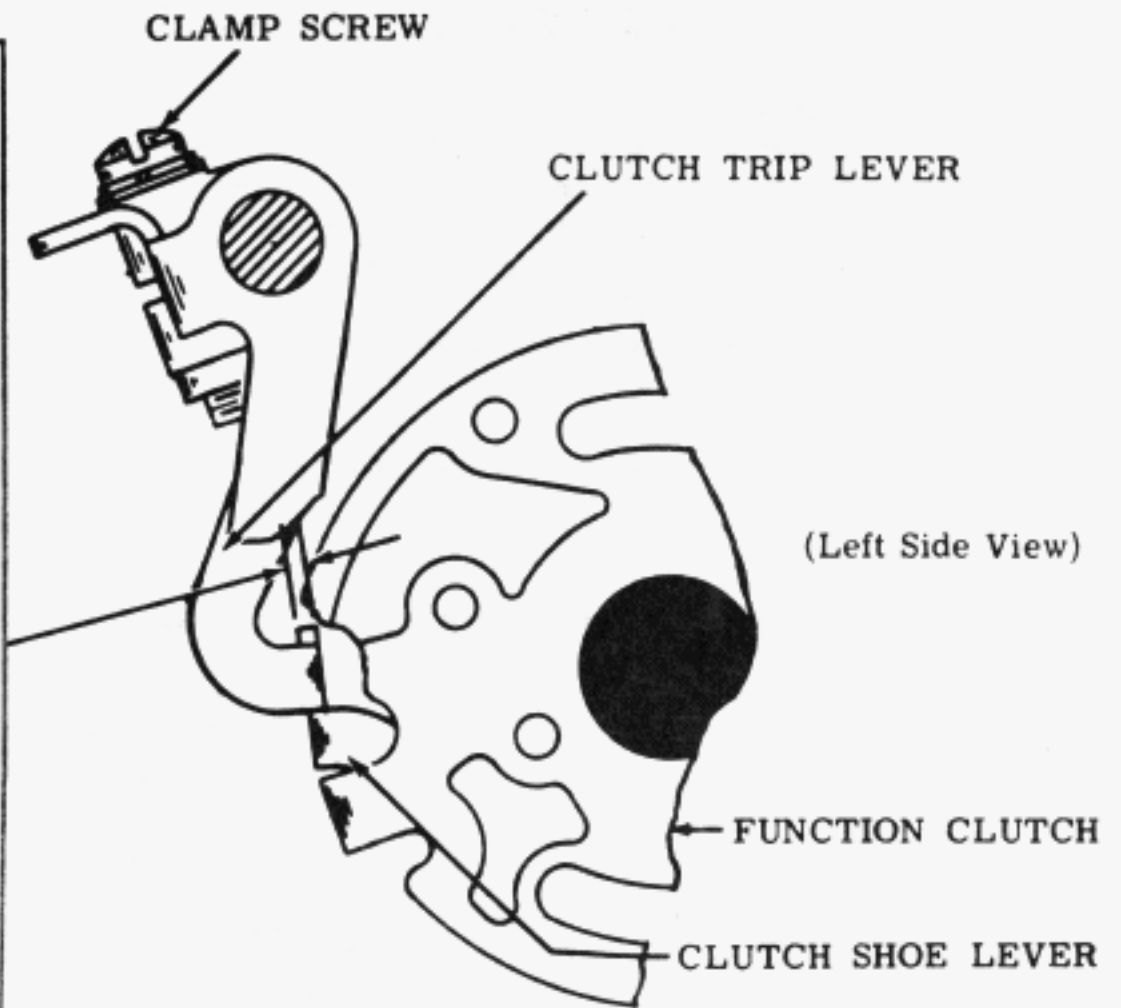
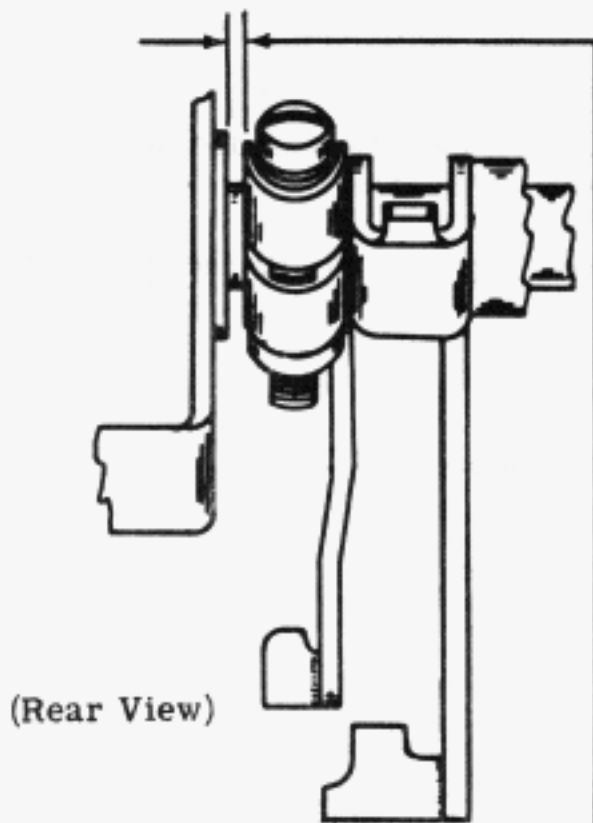
Rotate eccentric to meet requirement.

Note 2: The codebar positioning mechanism is assembled at the factory and at this time the guide bracket is biased to the rear by means of the play in the body holes. If this assembly is removed from the printer, it will be necessary to bias the guide bracket to the rear during reassembly.

2.19 Main Shaft and Trip Shaft Mechanisms



2.20 Main Shaft and Trip Shaft Mechanisms (continued)



FUNCTION CLUTCH TRIP LEVER
(On Units Equipped With One Piece Trip Lever)

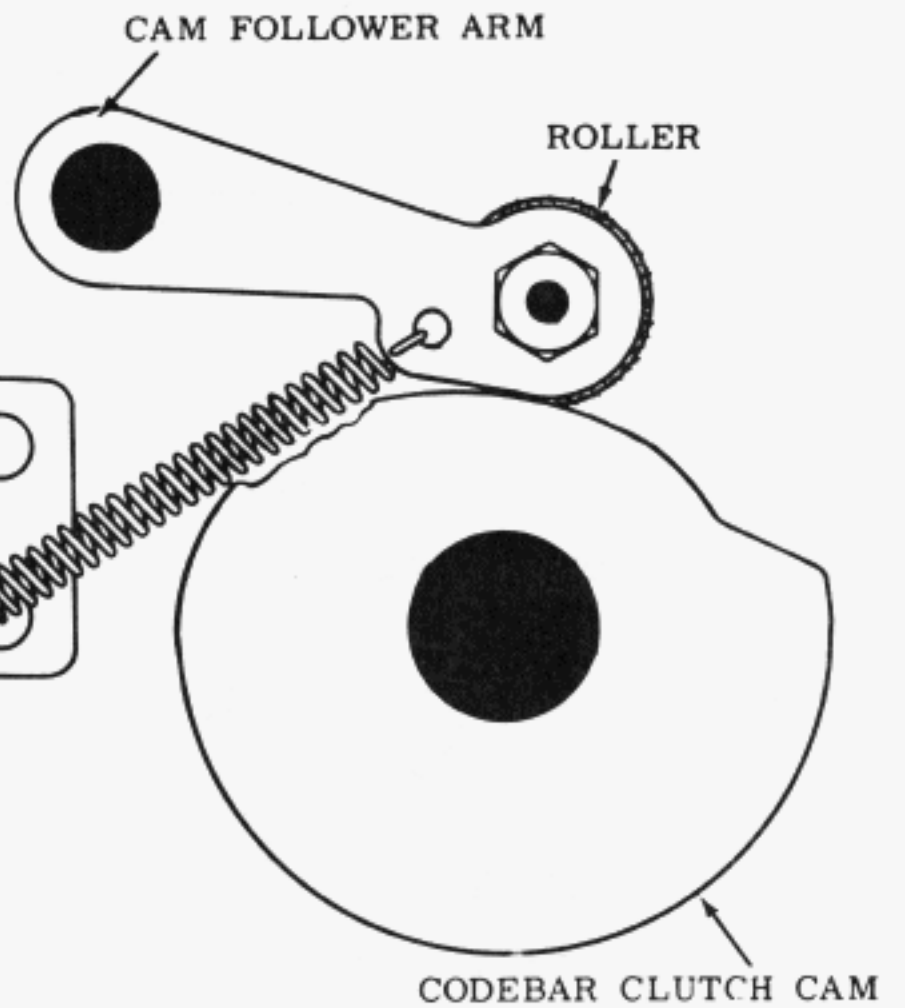
Requirement

Codebar clutch and function clutch disengaged. Function clutch trip lever should engage clutch shoe lever by full thickness of shoe lever. (Check at lug with least bite on two stop clutches.)

To Adjust

Position trip lever on its shaft with clamp screw loosened, letting shaft have endplay

Min some---Max 0.006 inch



CODEBAR CLUTCH CAM FOLLOWER SPRING

Requirement

Cam follower roller on low part of cam. The spring unhooked from spring bracket.

Min 20 oz---Max 24 oz
to pull spring to installed length.

(Left Side View)

2.21 Main Shaft and Trip Shaft Mechanisms (continued)

(A) FUNCTION CLUTCH TRIP LEVER TRIP ARM
(On Units Equipped With Adjustable Backstop)

Requirement

Codebar clutch and function clutch disengaged. Clearance between edge of bail of function clutch trip lever and projection on trip lever trip arm.

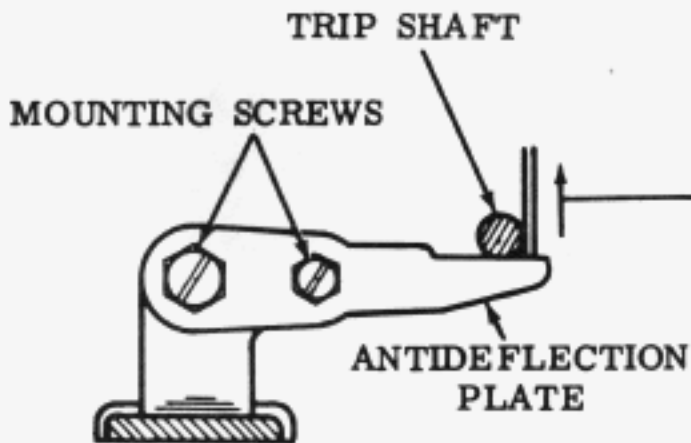
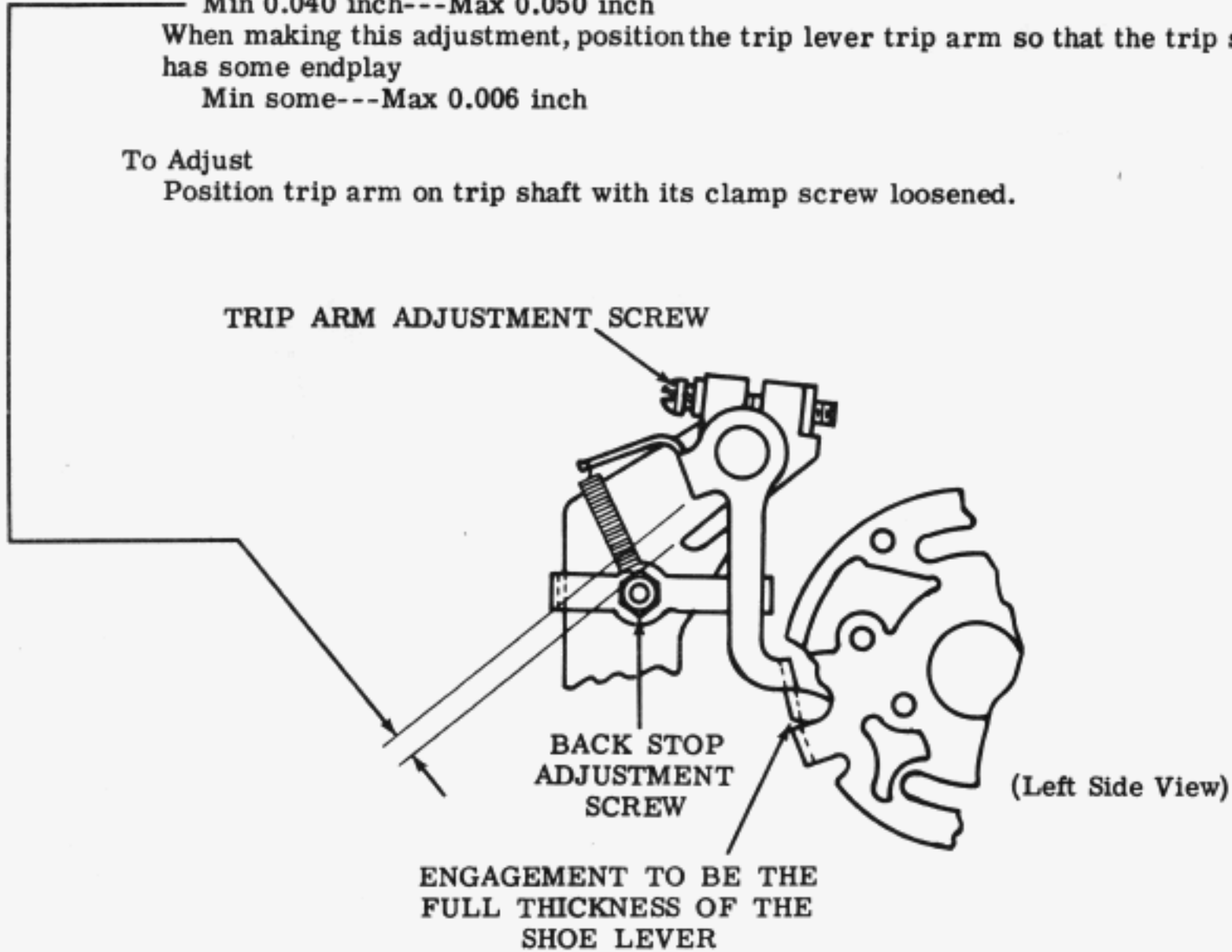
Min 0.040 inch---Max 0.050 inch

When making this adjustment, position the trip lever trip arm so that the trip shaft has some endplay

Min some---Max 0.006 inch

To Adjust

Position trip arm on trip shaft with its clamp screw loosened.



(Left Side View, Upside Down)

(B) ANTIDEFLECTION PLATE

Requirement

With typing unit upside down and function, spacing, line feed, and type-box clutches disengaged and latched

Min 1 lb---Max 5 lb

to pull trip shaft away from anti-deflection plate.

To Adjust

Position plate with mounting screws loosened.

2.22 Main Shaft and Trip Shaft Mechanisms (continued)

(A) CLUTCH TRIP SHAFT SET COLLARS

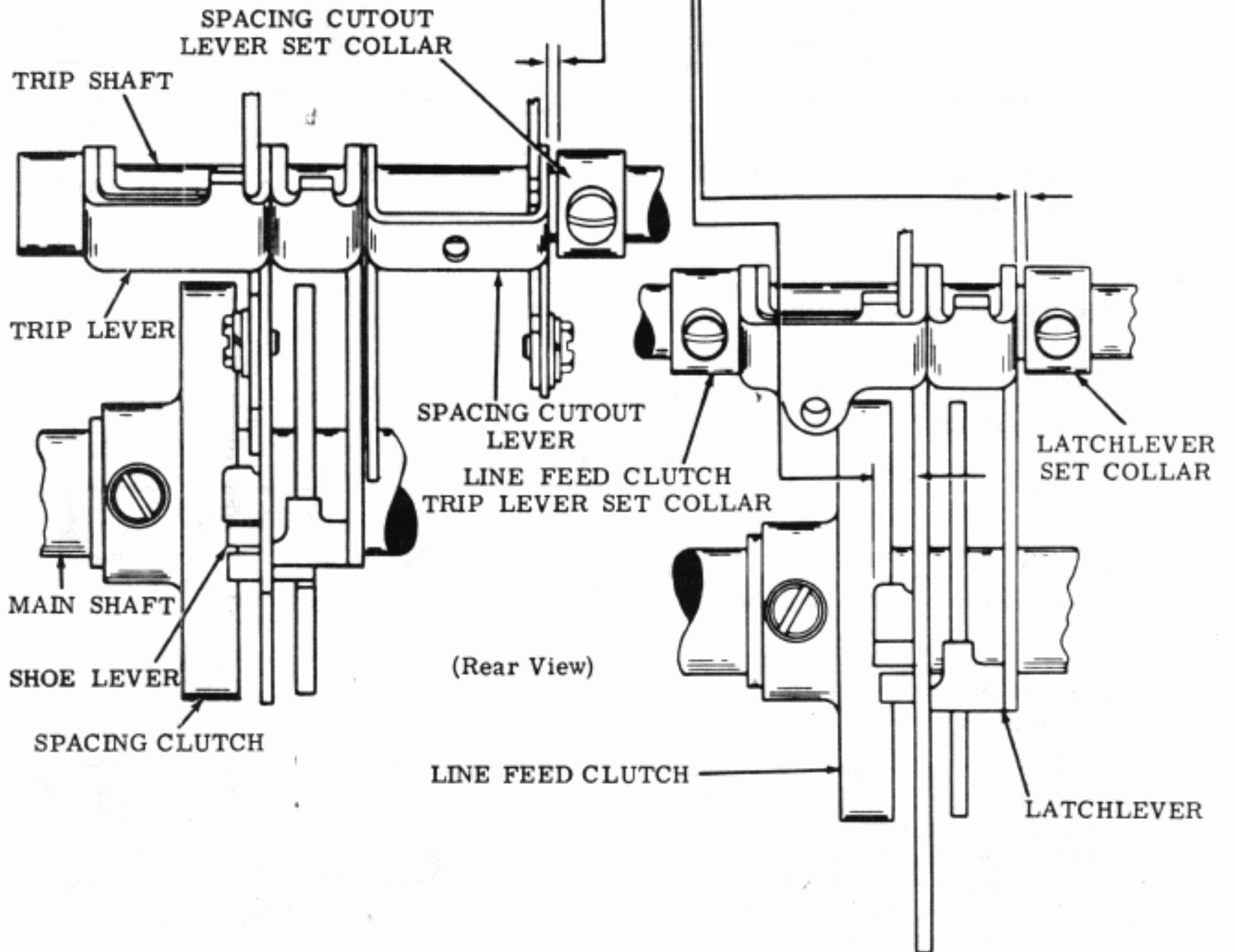
- (1) Requirement
 Spacing cutout lever should have side play
 Min some---Max 0.008 inch
 To Adjust
 Position spacing cutout lever set collar.

- (2) Requirement
 Approximate alignment of right end of stop extensions on trip lever and shoe lever.

- To Adjust
 Position line feed clutch trip lever set collar.

- (3) Requirement
 Line feed clutch latchlever should have side play
 Min some---Max 0.008 inch

- To Adjust
 Position line feed clutch latchlever set collar.



2.23 Main Shaft and Trip Shaft Mechanisms (continued)

SPACING CLUTCH TRIP LEVER

Requirement

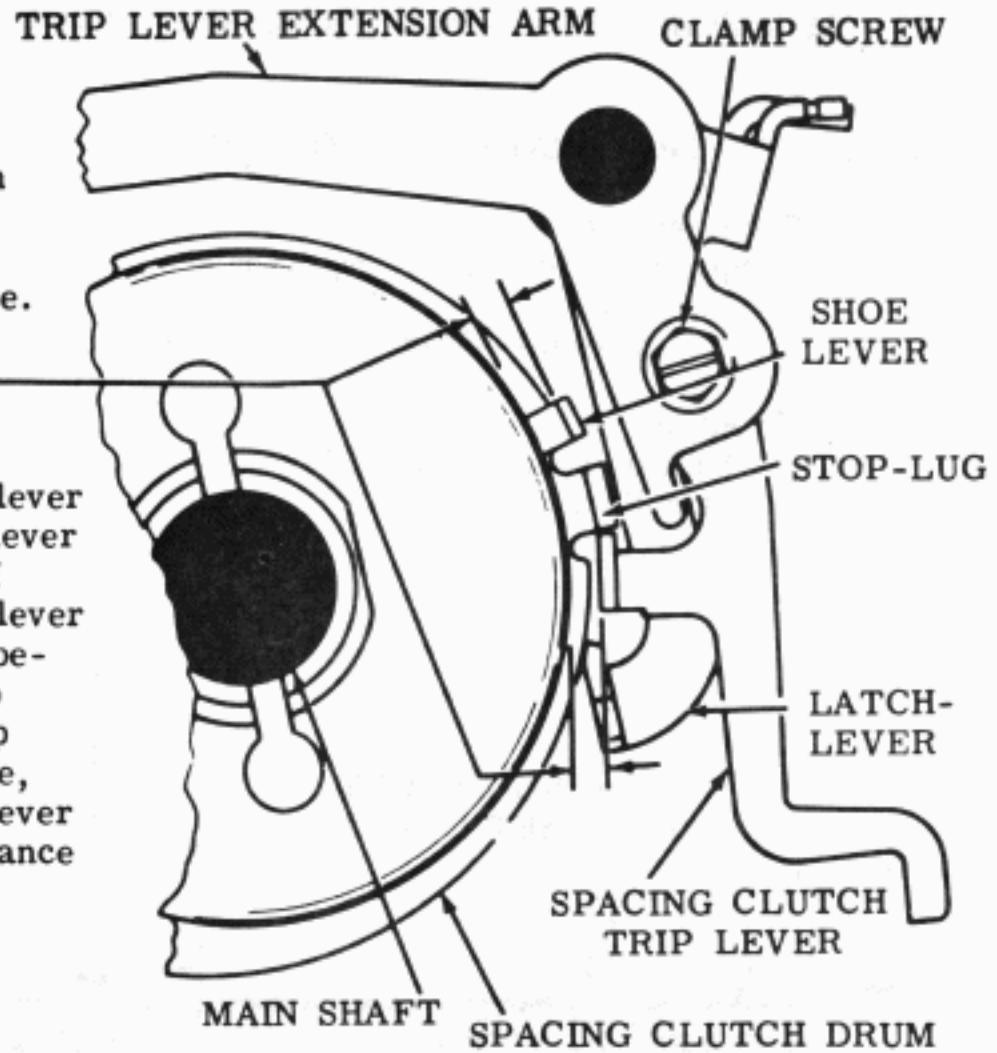
Clearance between trip lever and clutch drum should be 0.018 to 0.035 inch less than clearance between shoe lever and drum at stop showing greatest clearance. There should be some overbite on all stop-lugs. Gauge by eye.

To Check

Disengage the clutch. Trip clutch trip lever and slowly rotate main shaft until trip lever is over the shoe lever. Take up play of shoe lever inward by snapping the trip lever over the shoe lever. Check clearance between shoe lever and drum at each stop position. With the trip lever at the stop position which yields greatest clearance, rotate main shaft slowly until the trip lever just falls off the stop-lug. Check clearance between trip lever and drum.

To Adjust

Position the trip lever by means of its clamp screw.



(Right Side View)

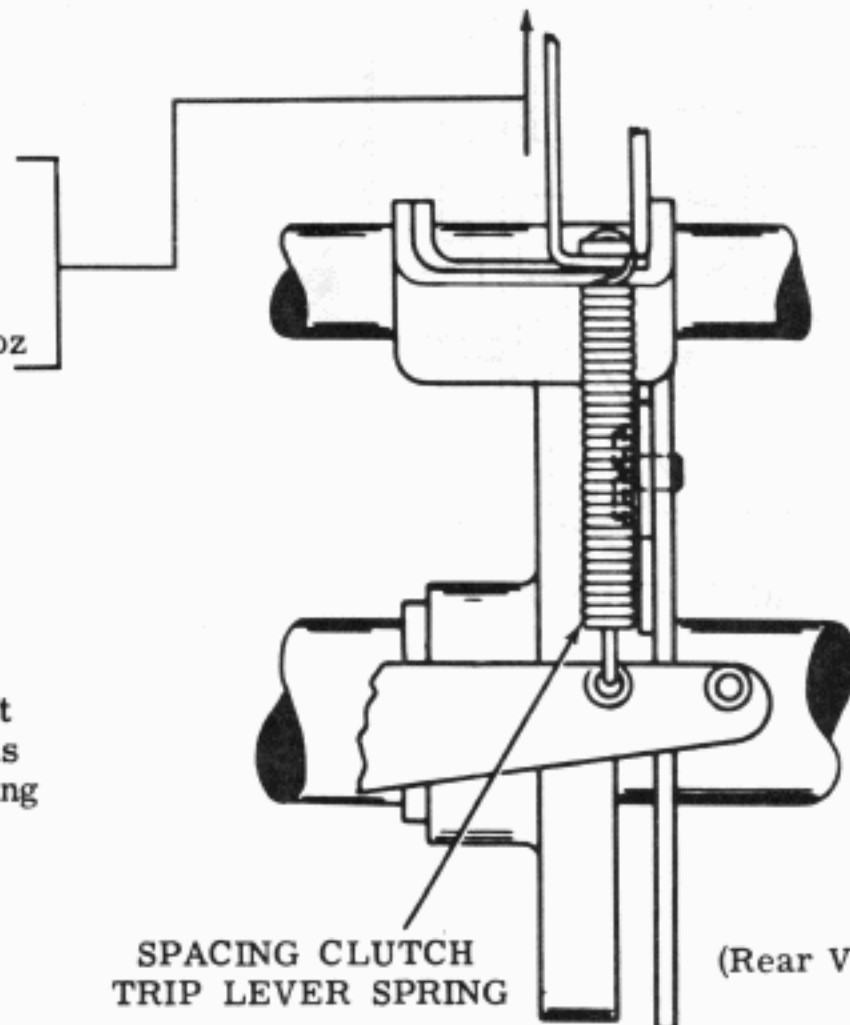
CLUTCH TRIP LEVER SPRING

Requirement

Clutch engaged and rotated until trip lever rests on stop-lug

Clutch Function	Min	Max
Function	1-1/2 oz	4 oz
Spacing	11 oz	16 oz
Line Feed	10 oz	13 oz
Typebox	5 oz	7-1/4 oz

to move lever away from stop-lug.



(Rear View)

INTERMEDIATE LEVER SPRING (On Units Equipped With Three Piece Spacing Clutch Trip Lever Bail)

Requirement

Trip spacing clutch and turn the main shaft so that the spacing clutch stop lever arm is in its unoperated position. Unhook the spring from the intermediate lever bail and pull spring to installed length.

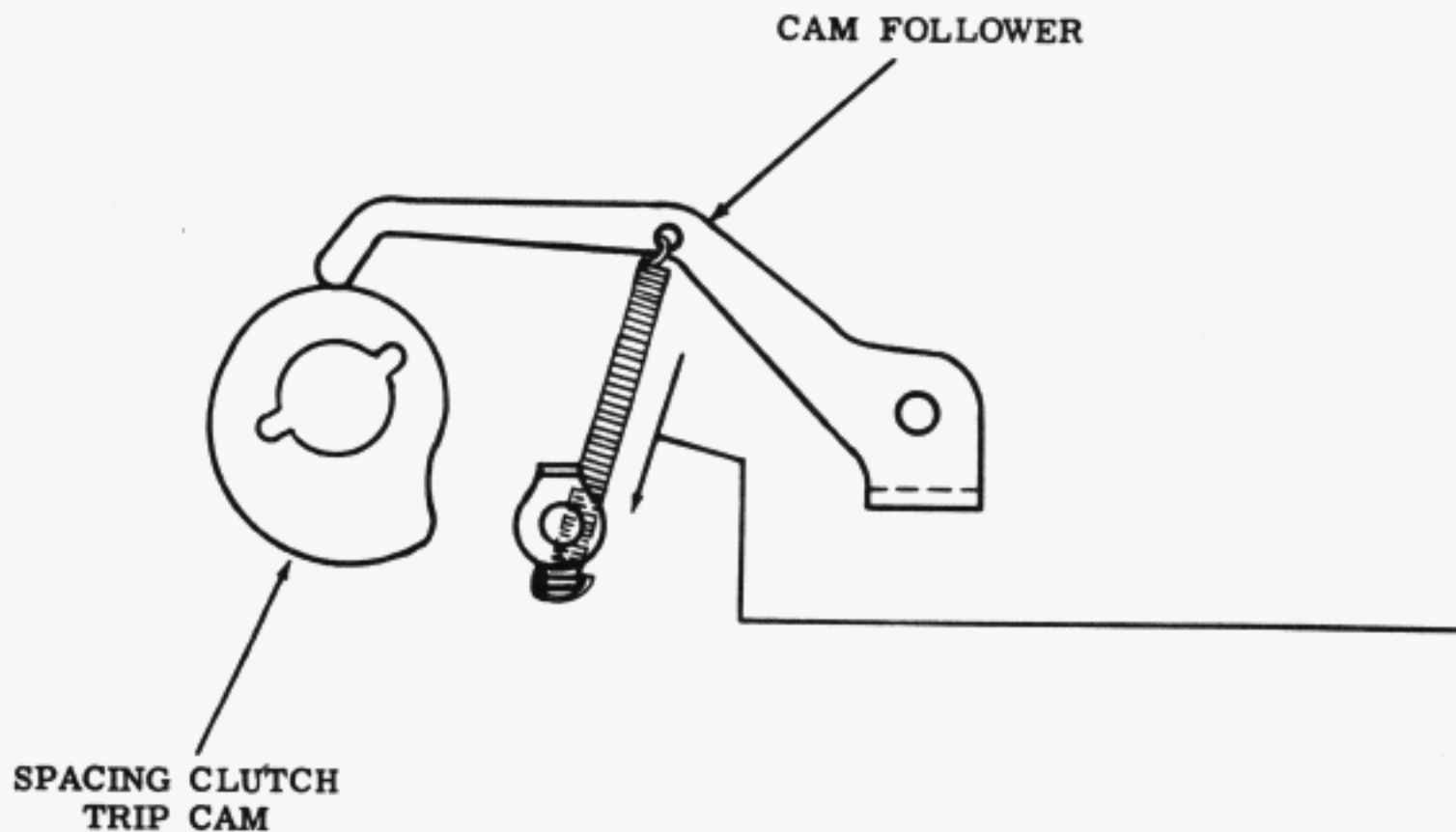
Min 1-1/2 oz---Max 3-1/2 oz

2.24 Main Shaft and Trip Shaft Mechanisms (continued)

SPACING CLUTCH TRIP CAM FOLLOWER SPRING (If Used)**Requirement**

With the function clutch in the stop position, unhook the spring from the spring ear. Hook a scale to the spring loop.

Min 2-1/2 oz---Max 3-1/2 oz
to pull the spring to its position length.



(Right Side View)

2.25 Main Shaft and Trip Shaft Mechanisms (continued)

LINE FEED CLUTCH TRIP LEVER ECCENTRIC POST

Requirement

Clearance between trip lever and clutch drum should be:

For 3-stop clutch — 0.018 inch to 0.035 inch

For 6-stop clutch — 0.012 inch to 0.025 inch

less than clearance between shoe lever and drum at stop which shows least clearance.

To Check

Disengage clutch. Trip clutch trip lever and slowly rotate main shaft until trip lever is over shoe lever. Take up play of shoe lever inward by snapping trip lever over shoe lever. Check clearance between shoe lever and drum at each stop position. With trip lever at stop position which yields least clearance, rotate main shaft slowly until trip lever just falls off stop-lug. Check clearance between trip lever and drum.

To Adjust

Back off trip lever adjusting screw and position trip lever eccentric stop post.

LINE FEED CLUTCH TRIP LEVER
ADJUSTING SCREW

(1) Requirement

Clearance between end of trip lever adjusting screw and trip arm

Min some---Max 0.006 inch

To Check

Line feed function slide arm in rear position. Clutch trip lever against its eccentric post. Trip arm held against its function slide arm.

To Adjust

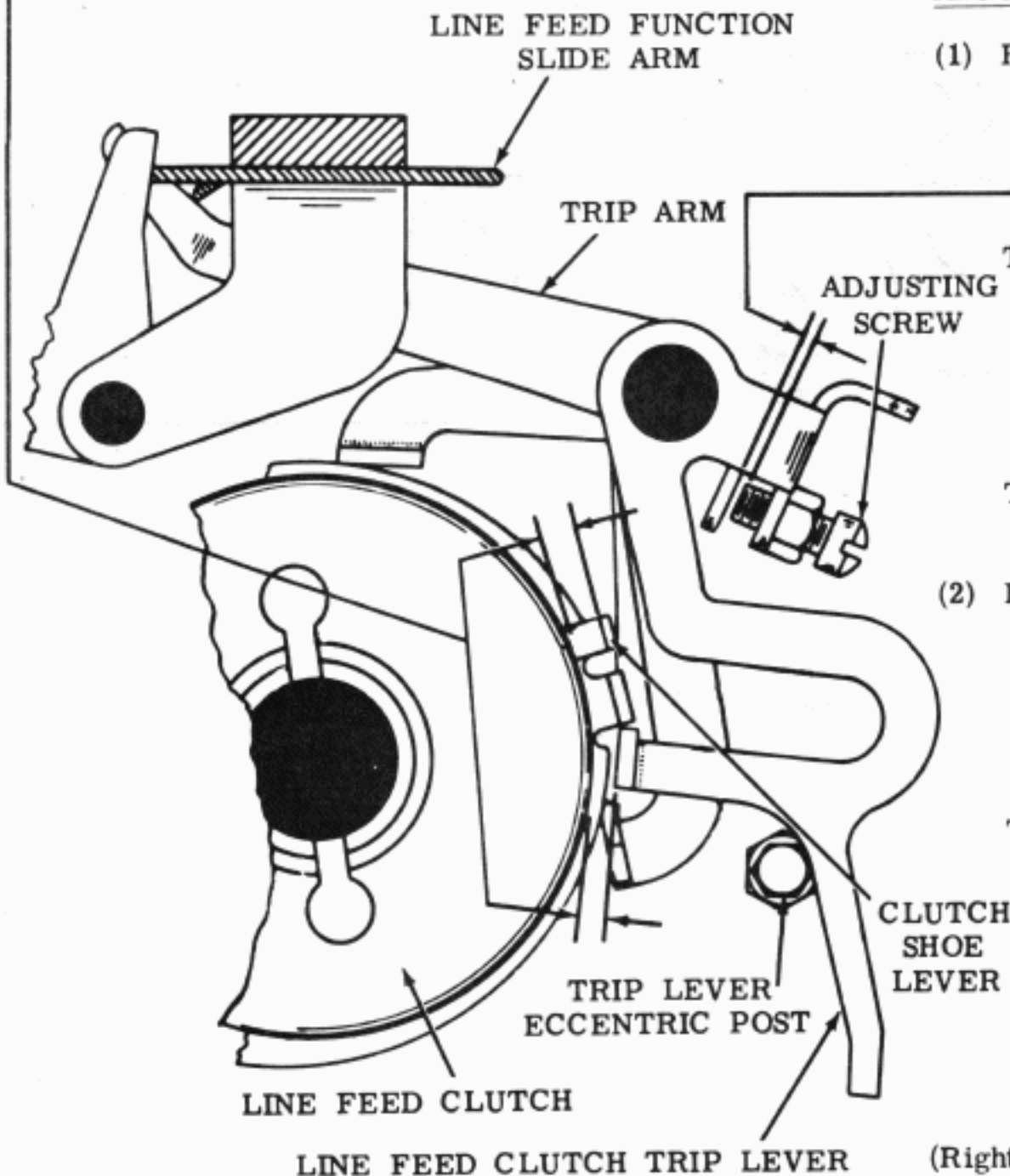
Position adjusting screw.

(2) Requirement

Clearance between line feed trip lever and all line feed clutch shoe levers should be Min 0.004 inch when form-out and vertical tab is selected.

To Adjust

Check and refine if necessary: Requirement (1), FUNCTION RESET BAIL BLADE (2.36), LINE FEED CLUTCH TRIP LEVER ECCENTRIC POST (2.25), MOUNTING BRACKET (3.01).



(Right Side View)

2.26 Main Shaft and Trip Shaft Mechanisms (continued)

TYPEBOX CLUTCH TRIP LEVER ECCENTRIC POST

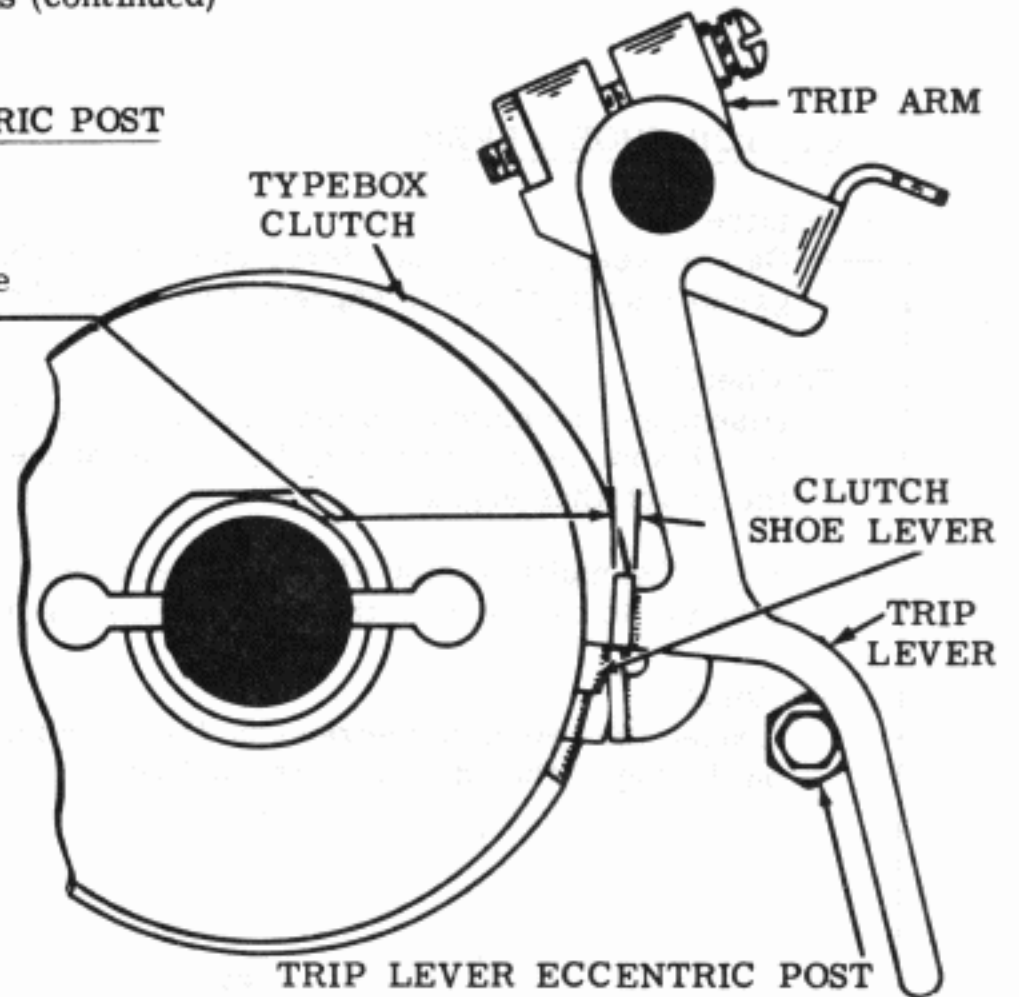
Requirement

Typebox clutch disengaged. Trip lever should engage the clutch shoe lever by the full thickness of the shoe lever.

To Adjust

Position the trip lever eccentric post.

(Right Side View)



TYPEBOX CLUTCH TRIP LEVER TRIP ARM

(1) Requirement

Clutch trip shaft cam follower roller (see 2.20) on lowest surface of cam (located on codebar clutch). Clearance between inner face of typebox clutch trip lever and the clutch disc stop-lug. Min 0.025 inch---Max 0.045 inch

To Adjust

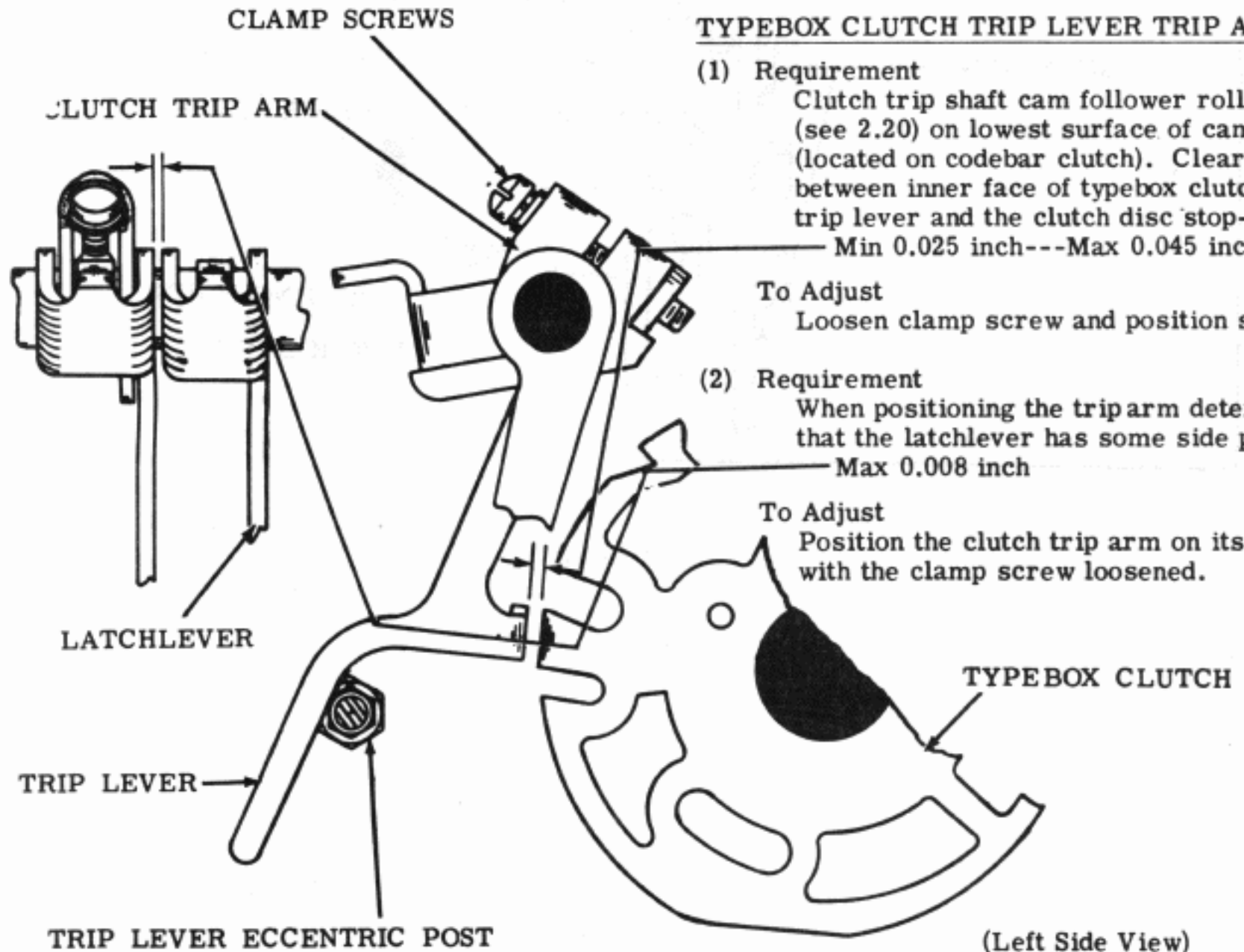
Loosen clamp screw and position stop.

(2) Requirement

When positioning the trip arm determine that the latchlever has some side play Max 0.008 inch

To Adjust

Position the clutch trip arm on its shaft with the clamp screw loosened.



•2.27 Main Shaft and Trip Shaft Mechanisms (continued)

CLUTCH SHOE LEVER

Requirement

Gap between clutch shoe lever and its stop-lug should be 0.055 inch to 0.085 inch greater when clutch is engaged than when the clutch is disengaged.

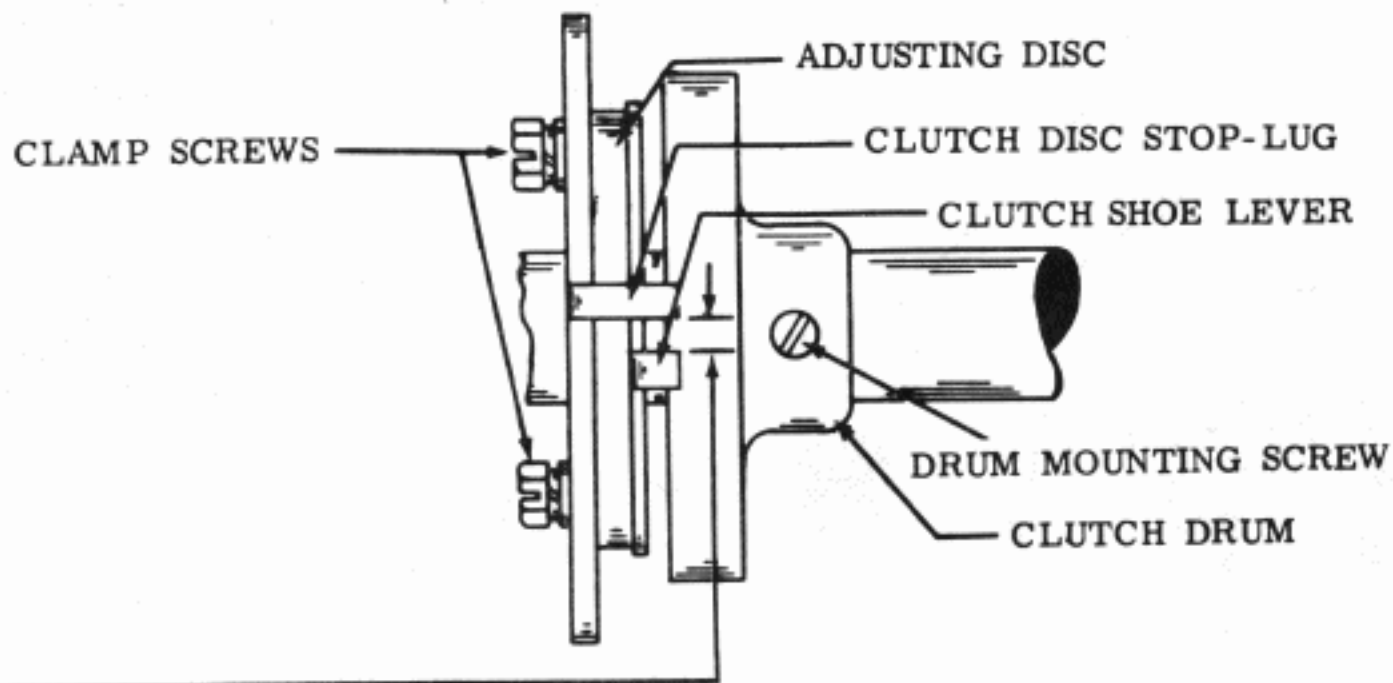
To Check

Disengage the clutch and measure the gap. Trip the clutch and rotate it until the clutch shoe lever is toward the bottom of the unit. Again measure the gap with the clutch thus engaged.

Note: On multiple stop clutches check the clearance at the stop-lug that is adjacent to the form in the clutch adjusting disc.

To Adjust

Loosen the two clamp screws on the clutch disc. Engage a wrench or screwdriver on the lug of the adjusting disc and rotate the disc.



(Bottom View)

2.28 Main Shaft and Trip Shaft Mechanisms (continued)

CLUTCH SHOE LEVER SPRING

Requirement

Clutch engaged. Hold cam disc to prevent turning. Spring scale pulled at tangent to clutch.

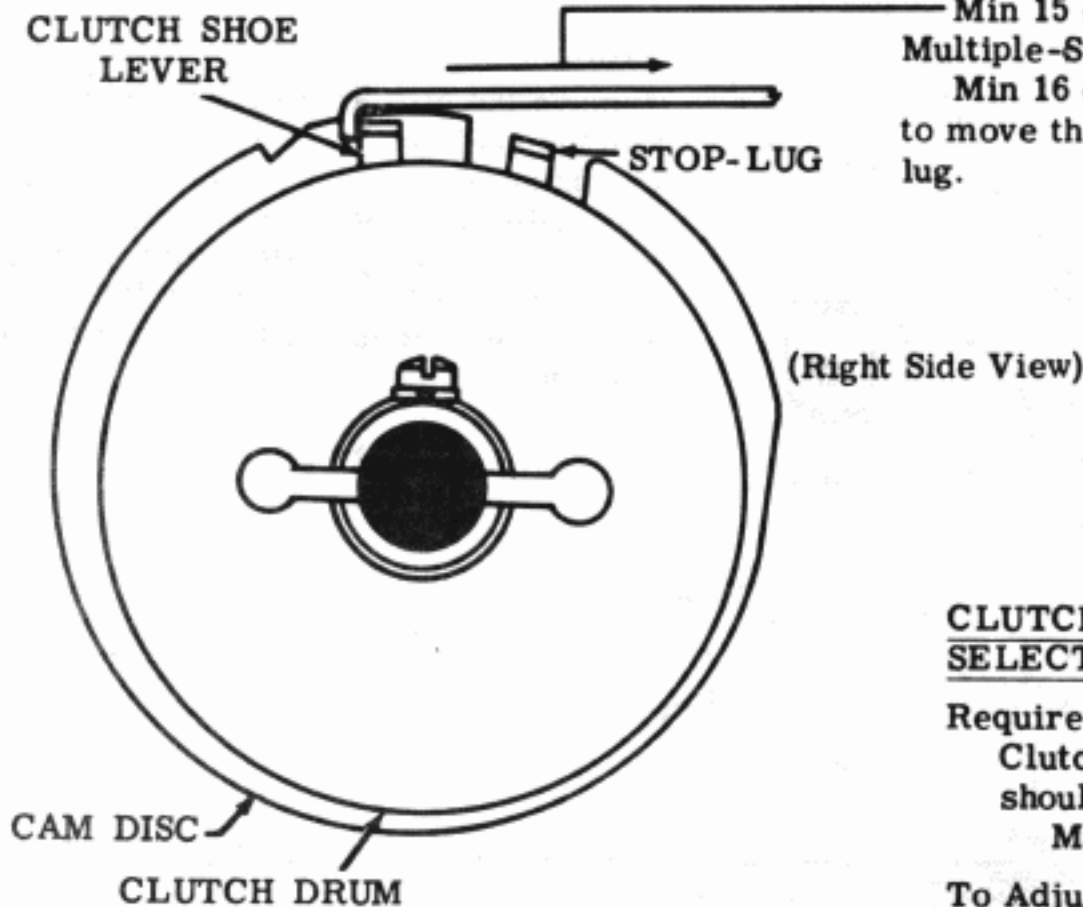
One-Stop Clutches:

Min 15 oz---Max 20 oz

Multiple-Stop Clutches:

Min 16 oz---Max 22 oz

to move the shoe lever in contact with the stop-lug.



CLUTCH DRUM POSITION (EXCEPT SELECTOR)

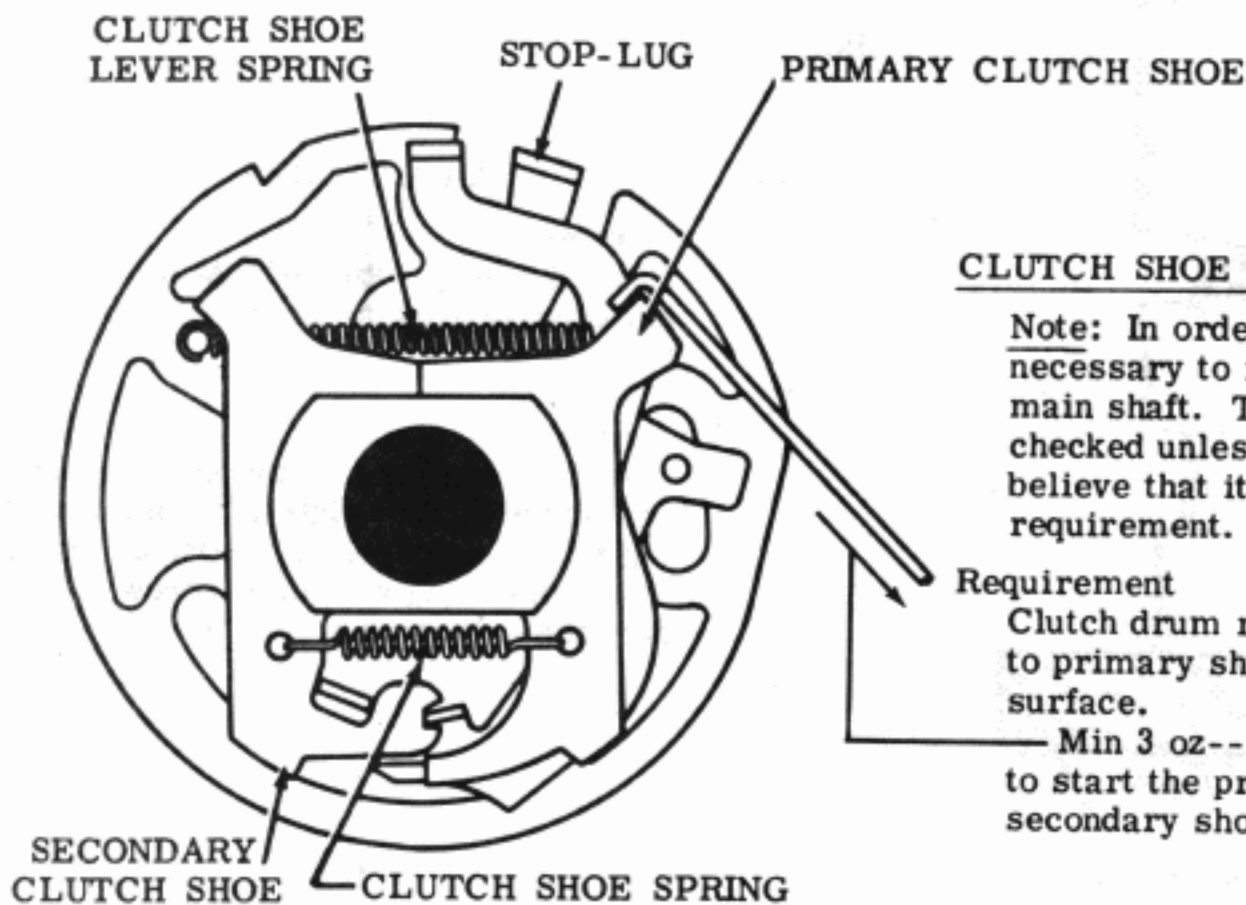
Requirement

Clutch shoe lever held disengaged. Clutch should have some endplay

Max 0.015 inch

To Adjust

Position each drum and spacing clutch set collar with mounting screws loosened.



CLUTCH SHOE SPRING

Note: In order to check this spring, it is necessary to remove the clutch from the main shaft. Therefore, it should not be checked unless there is good reason to believe that it does not meet its requirement.

Requirement

Clutch drum removed. Spring scale applied to primary shoe at a tangent to the friction surface.

Min 3 oz---Max 5 oz

to start the primary shoe moving away from secondary shoe at point of contact.

2.29 Spacing Mechanism

(B) SPACING GEAR PHASING

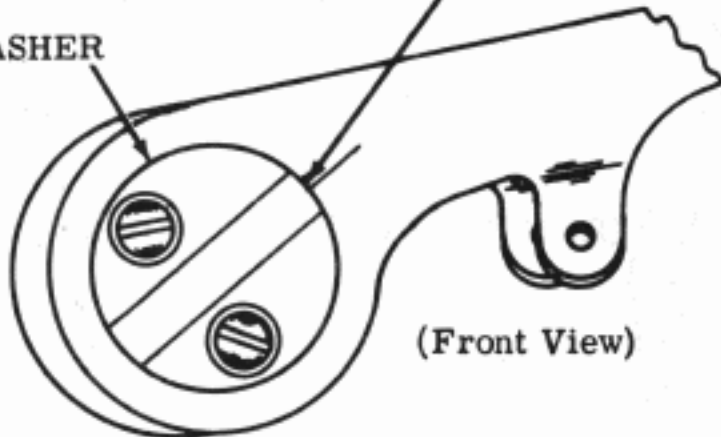
Requirement

Spacing clutch disengaged. Index line on the spacing pawl should be as near as possible to the center of the two lines on the pawl retaining washer.

To Adjust

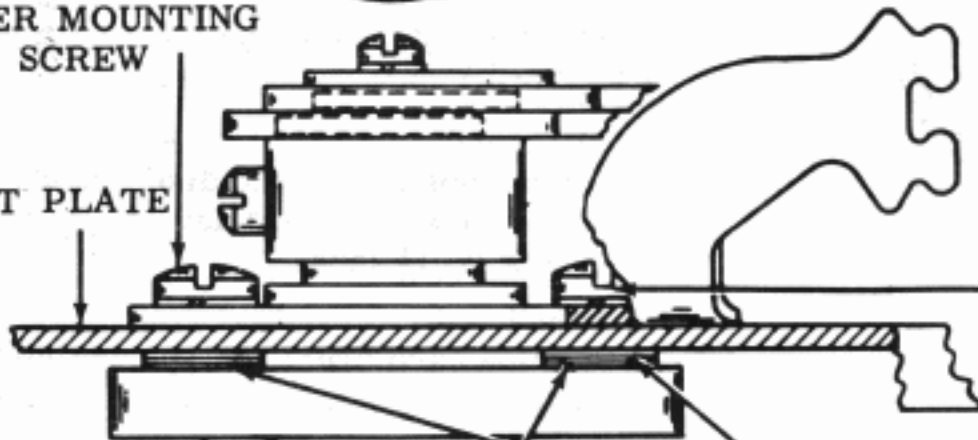
Remove the mounting screw from the spacing shaft gear. Hold the pawls in alignment and engage the spacing shaft gear with the clutch gear at a point where the spacing shaft gear mounting screw hole is in line with the tapped hole in the spacing shaft and insert the mounting screw.

RETAINING WASHER



UPPER MOUNTING SCREW

FRONT PLATE



LOWER MOUNTING SCREW

SHIMS

SPACING SHAFT BEARING

(A) SPACING GEAR CLEARANCE

Requirement

Carriage fully returned. Minimum backlash of spacing gears without bind.

To Adjust

Insert shims between the spacing shaft bearing and front plate at upper mounting screw to increase clearance and at lower mounting mounting screw to decrease clearance.

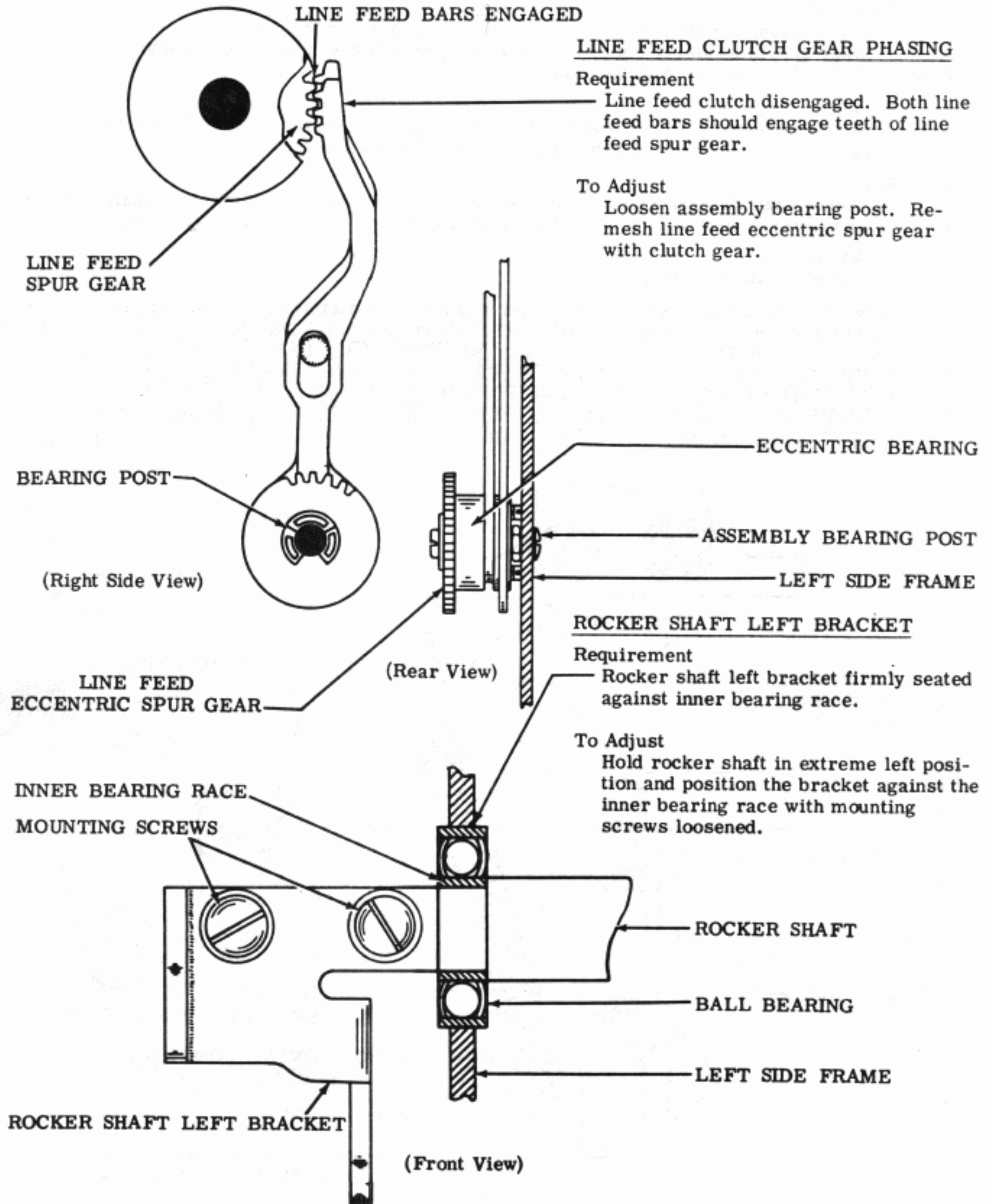
SPACING SHAFT

MOUNTING SCREW



SPACING SHAFT GEAR

2.30 Line Feed, Platen Mechanism, and Positioning Mechanism



2.31 Positioning Mechanism

ROCKER SHAFT BRACKET ECCENTRIC STUD

(1) Requirement

Typebox clutch disengaged. Play in locking arm taken up towards front. Gap between lower side of locklever roller and top edge of shoulder on horizontal positioning locklever
 Min 0.055 inch---Max 0.090 inch

To Adjust

Position eccentric stud in lower end of rocker shaft left bracket. Keep high part of eccentric (marked with dot) below center line of drive link.

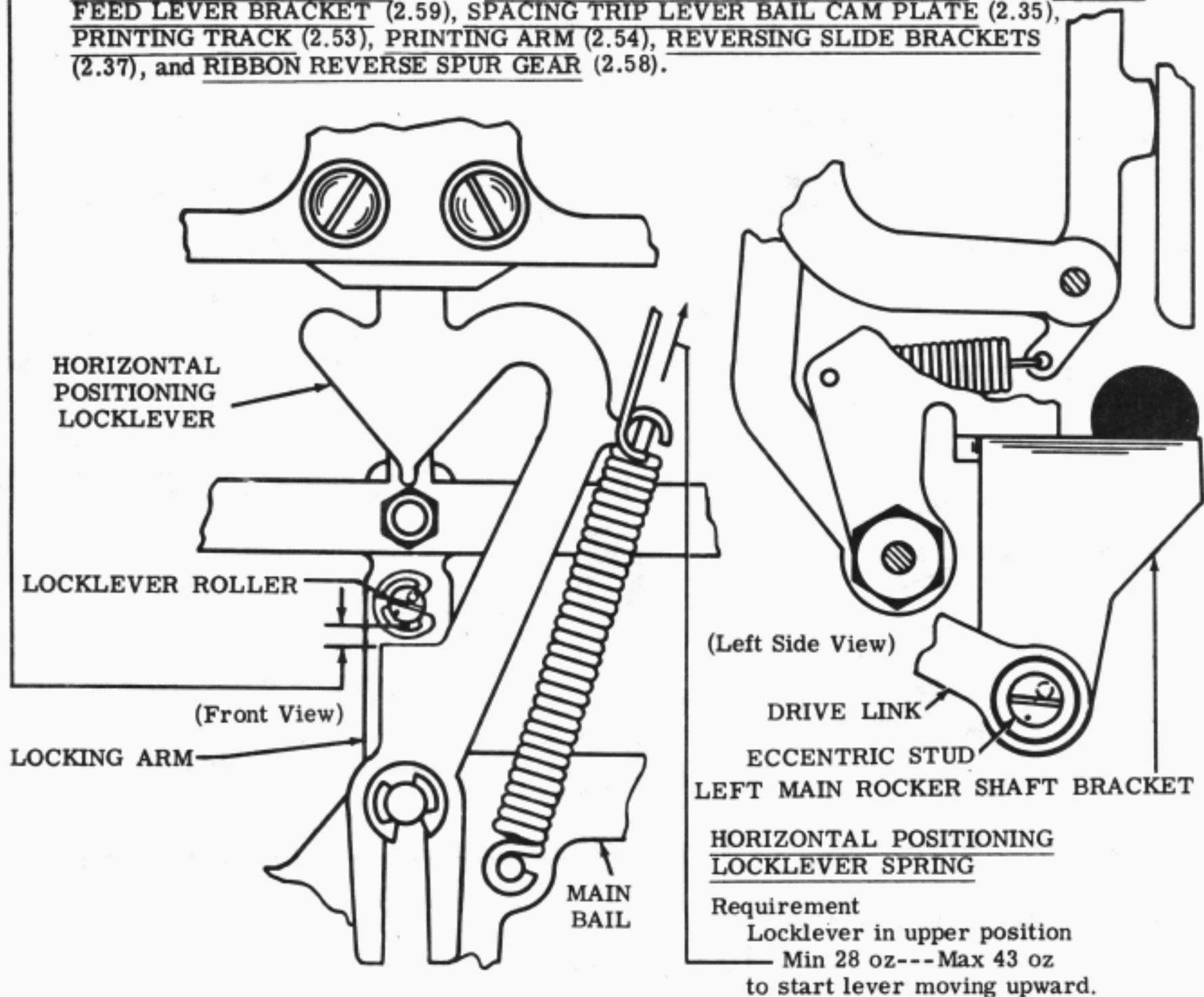
(2) Requirement

Rocker shaft drive link bearing stud should be free to move, parallel to the main shaft, in its typebox clutch bearing when the clutch is in stop position and 180 degree position.

To Adjust

Refine the above to adjust.

Note: Any change in this adjustment after making related adjustments will require a rechecking of the following adjustments: HORIZONTAL POSITIONING DRIVE LINKAGE (2.38), RIGHT VERTICAL POSITIONING LEVER ECCENTRIC STUD (2.32), LEFT VERTICAL POSITIONING LEVER ECCENTRIC STUD (2.33), VERTICAL POSITIONING LOCKLEVER (2.34), RIBBON FEED LEVER BRACKET (2.59), SPACING TRIP LEVER BAIL CAM PLATE (2.35), PRINTING TRACK (2.53), PRINTING ARM (2.54), REVERSING SLIDE BRACKETS (2.37), and RIBBON REVERSE SPUR GEAR (2.58).



2.32 Positioning Mechanism (continued)

RIGHT VERTICAL POSITIONING LEVER ECCENTRIC STUD

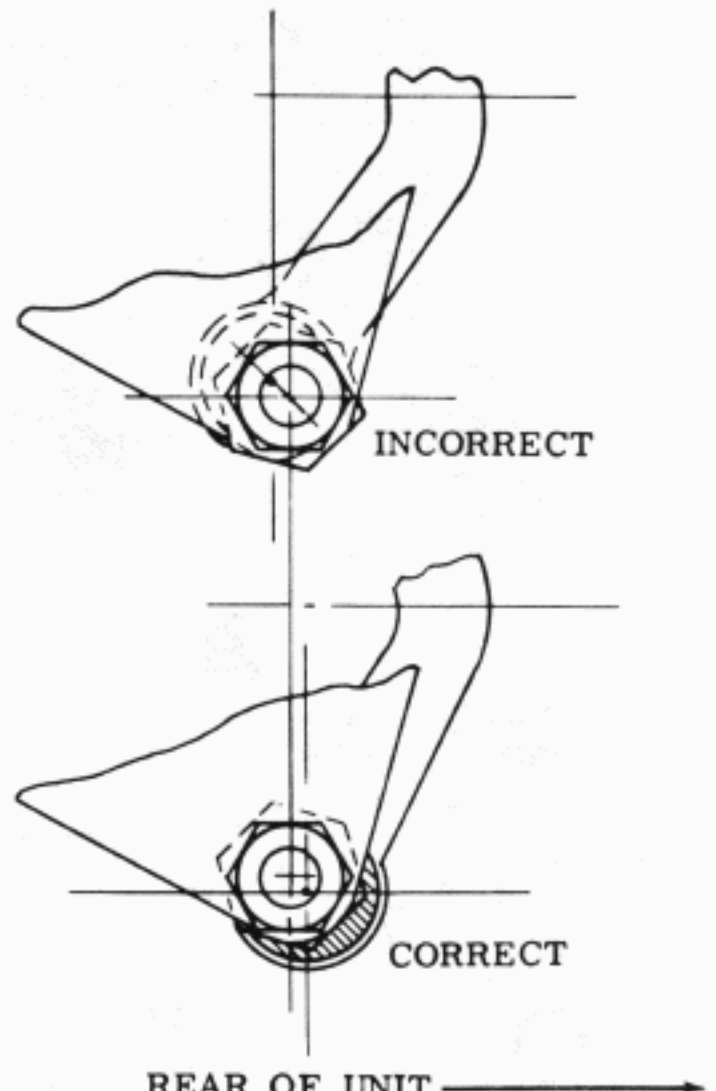
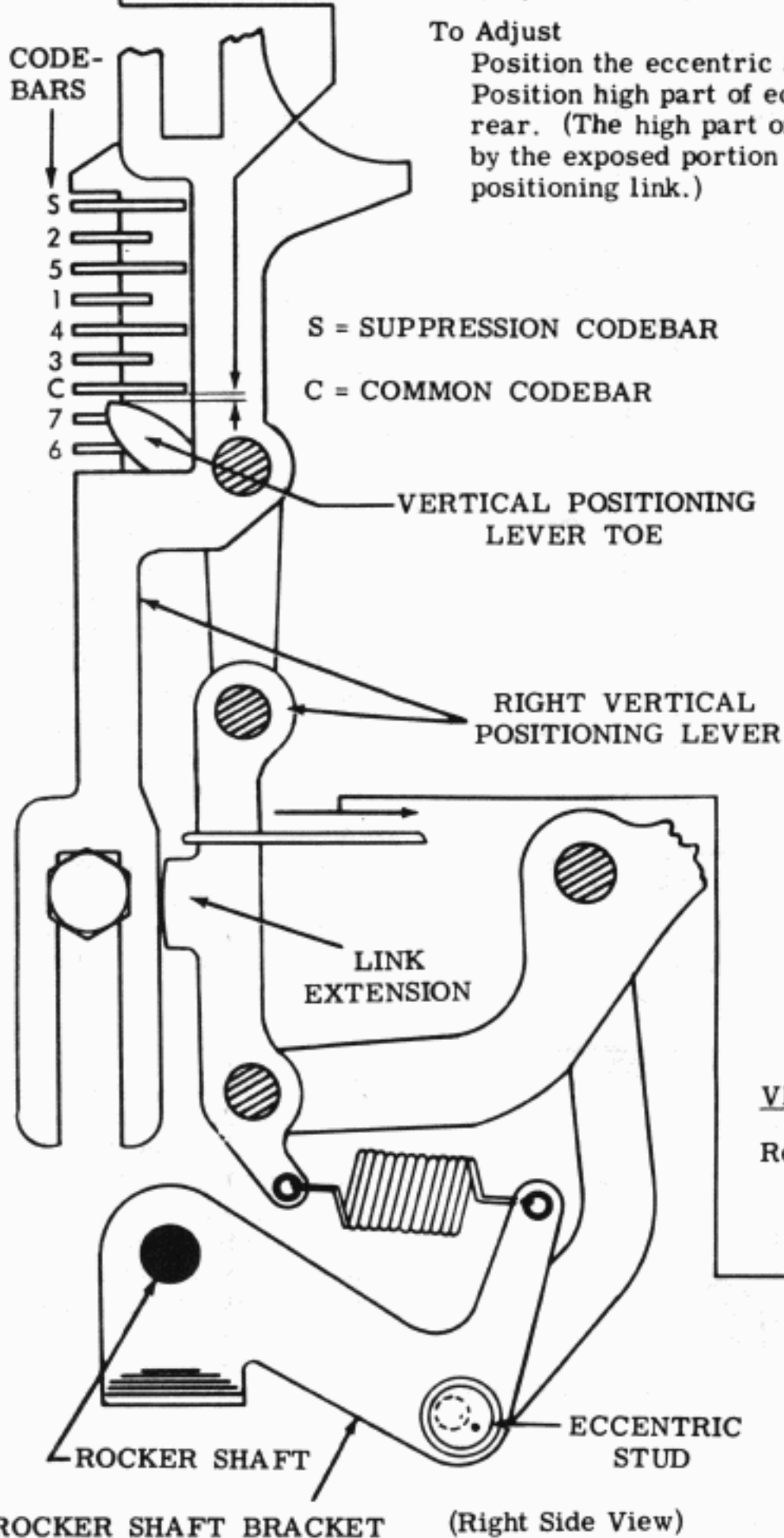
Requirement

Typebox clutch disengaged, common codebar in spacing position. Play taken up by pressing downward on common codebar at guide block.

Min 0.030 inch---Max 0.050 inch
clearance between the toe of vertical positioning lever and the bottom of the common codebar when play is taken up to make clearance a minimum.

To Adjust

Position the eccentric stud in the right rocker shaft bracket. Position high part of eccentric (marked with dot) toward the rear. (The high part of the eccentric can also be identified by the exposed portion of the flat surface of the vertical positioning link.)



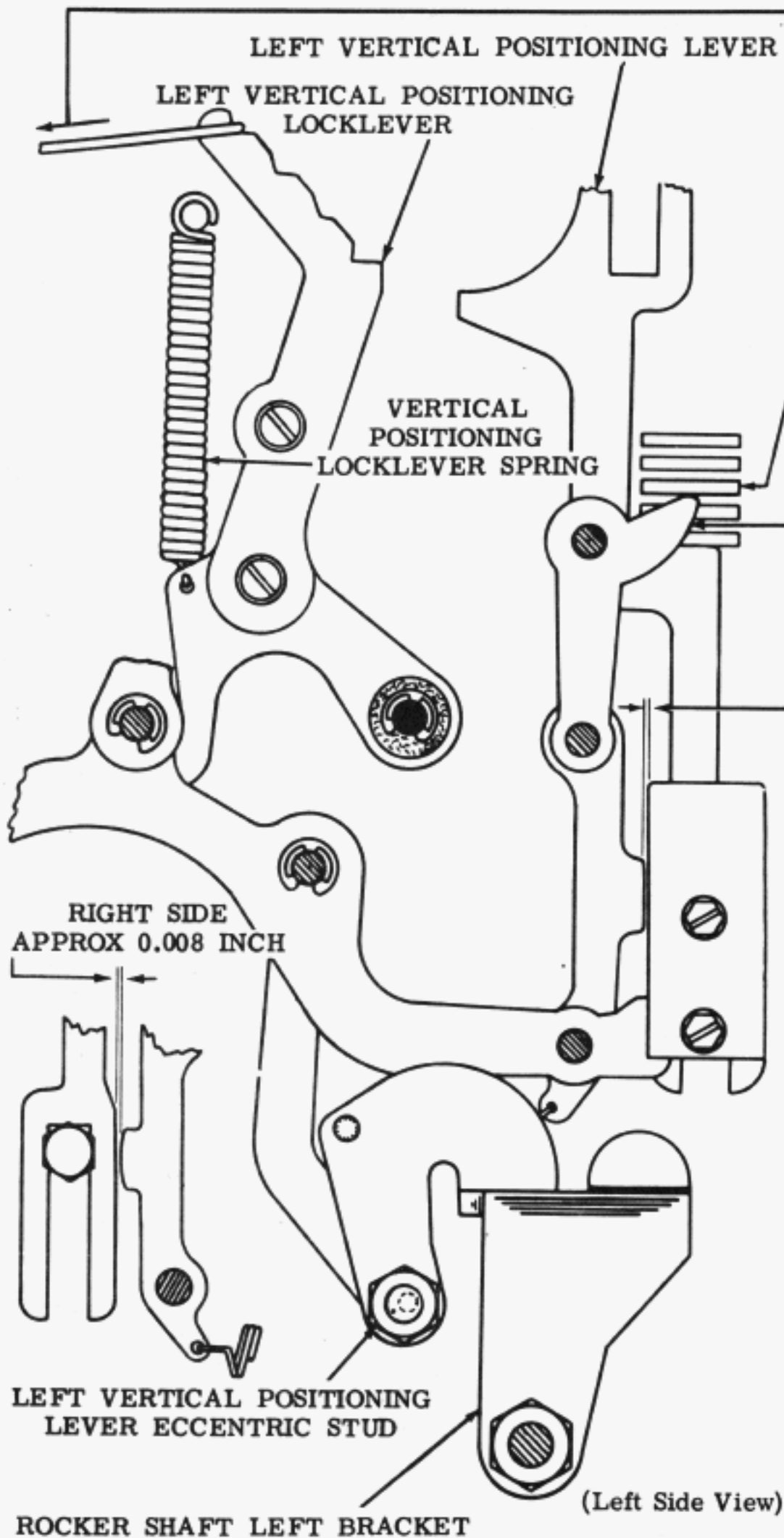
VERTICAL POSITIONING LEVER SPRING

Requirement

Vertical positioning lever toes (right and left) in contact with the suppression codebar, levers not buckled.

Min 4 oz---Max 12 oz
to move the link extension away from the vertical positioning lever. Check both right and left springs.

2.33 Positioning Mechanism (continued)



VERTICAL POSITIONING LOCK-LEVER SPRING

Requirement
 Typebox clutch disengaged
 Min 5 oz---Max 8 oz
 to start locklever moving.
 Check right and left springs.

COMMON CODEBAR

VERTICAL POSITIONING LEVER TOE

LEFT VERTICAL POSITIONING LEVER ECCENTRIC STUD

Requirement
 Right and left vertical position-
 ing levers should buckle equally
 within 0.006 inch.

To Check

Common codebar in spacing
 position. Trip typebox clutch.
 Rotate main shaft until right
 vertical positioning lever toe
 touches common codebar, buck-
 ling its lower link approxi-
 mately 0.008 inch. Left vertical
 positioning lever toe should
 touch common codebar, buckling
 its lower link equally within
 0.006 inch.

To Adjust

Position eccentric stud on
 rocker shaft left bracket inner
 arm. Position high part of cam
 (marked with dot) toward rear.

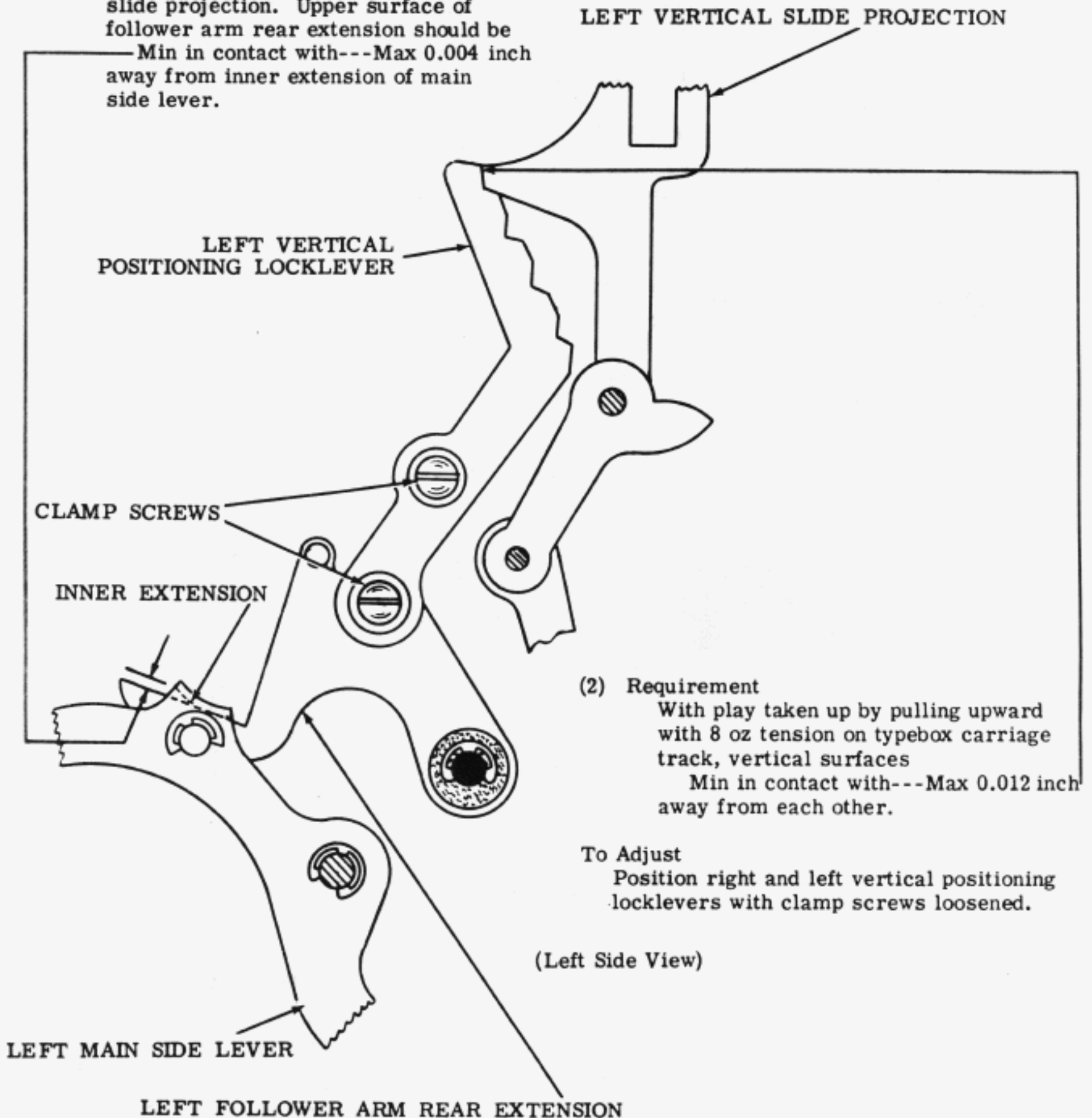
Note: On units containing inter-
 mediate storage mechanism,
 position the eccentric stud in the
 right rocker shaft bracket. (The
 high part of the eccentric can
 also be identified by the exposed
 portion of the flat surface of the
 vertical positioning link.)

2.34 Positioning Mechanism (continued)

VERTICAL POSITIONING LOCKLEVER

(1) Requirement

Rubout combination set up on codebars.
Main side operating levers at upper end of travel. Upper notch of vertical positioning locklever fully engaged (manually if necessary) with vertical slide projection. Upper surface of follower arm rear extension should be
—Min in contact with---Max 0.004 inch
away from inner extension of main side lever.



(2) Requirement

With play taken up by pulling upward with 8 oz tension on typebox carriage track, vertical surfaces

Min in contact with---Max 0.012 inch
away from each other.

To Adjust

Position right and left vertical positioning locklevers with clamp screws loosened.

2.35 Spacing Mechanism (continued)

(A) SPACING TRIP LEVER BAIL CAM PLATE

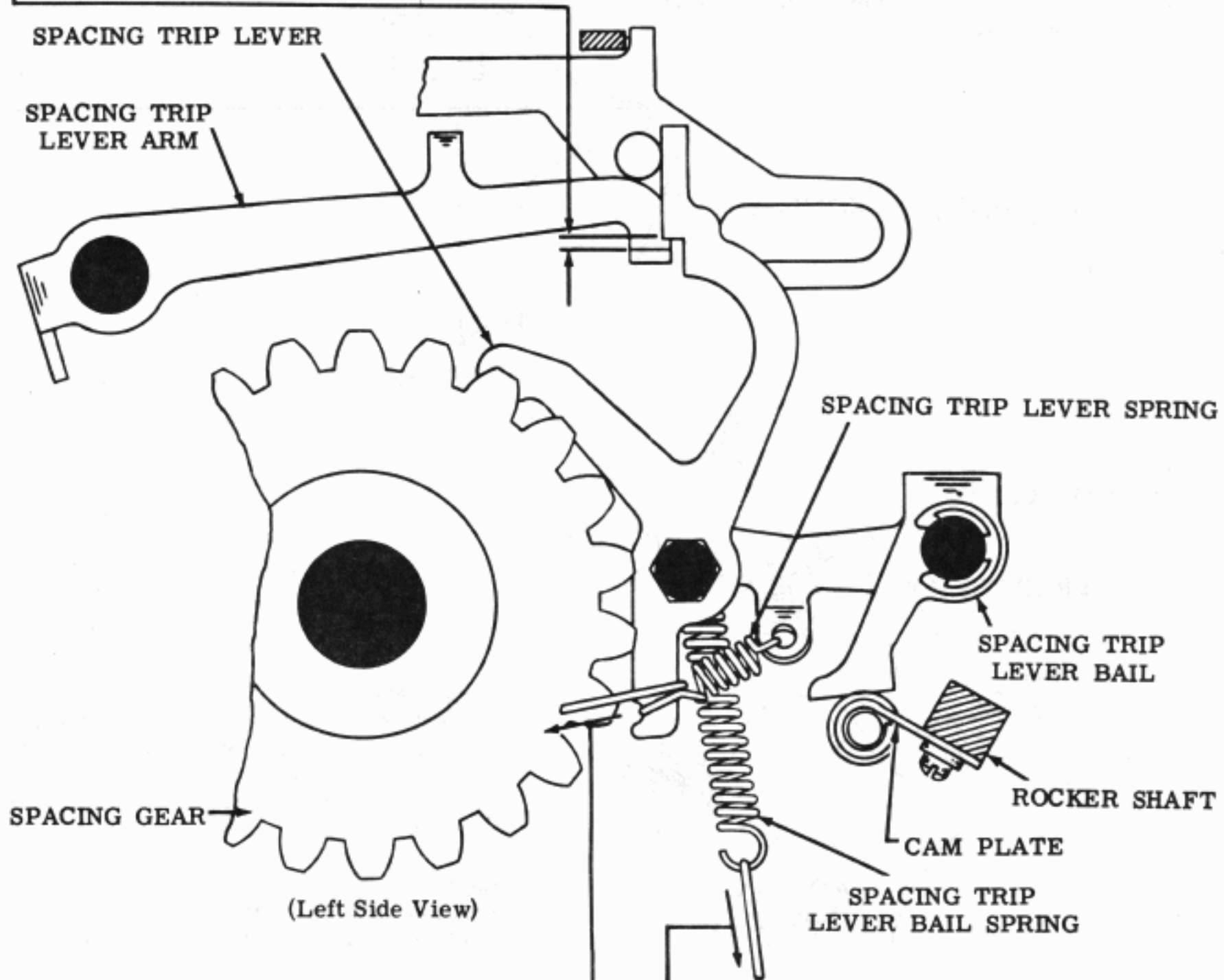
Requirement

Spacing trip lever arm in upward position. Typebox clutch rotated through approximately one-half of its cycle. All function pawls disengaged from function bars. Clearance between top surface of trip lever arm extension and spacing trip lever shoulder

Min 0.010 inch---Max 0.040 inch

To Adjust

Position cam plate on rocker shaft with mounting screws loosened. Position forward edge of cam plate parallel to shaft.



(B) SPACING TRIP LEVER SPRING

Requirement

Typebox clutch disengaged.
Min 2-1/2 oz---Max 5 oz
to start lever moving.

(C) SPACING TRIP LEVER BAIL SPRING

Requirement

Spacing trip lever bail against stop.
Spacing trip lever bail spring unhooked.

Min 8 oz---Max 12 oz
to pull spring to installed length.

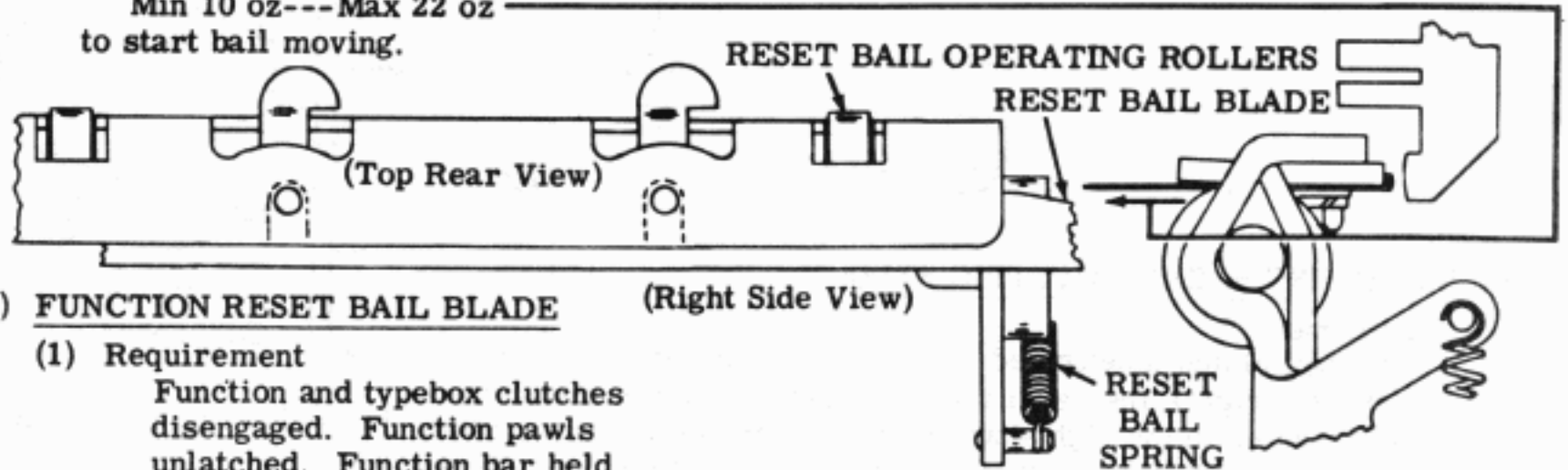
2.36 Function Mechanism

(B) FUNCTION RESET BAIL SPRING

Requirement

With typing unit upside down, hold no. 1 codebar in its marking position so that no function bar is selected. Rotate the main shaft until the function reset bail springs are in their minimum length position. Place pull rod of 32 ounce scale between clutch trip shaft and space suppression bail, hook scale on front edge of reset bail (at middle of bail) and pull toward rear.

Min 10 oz---Max 22 oz
to start bail moving.



(A) FUNCTION RESET BAIL BLADE

(Right Side View)

(1) **Requirement**

Function and typebox clutches disengaged. Function pawls unlatched. Function bar held in maximum rearward position. Clearance between function bar and reset bail blade

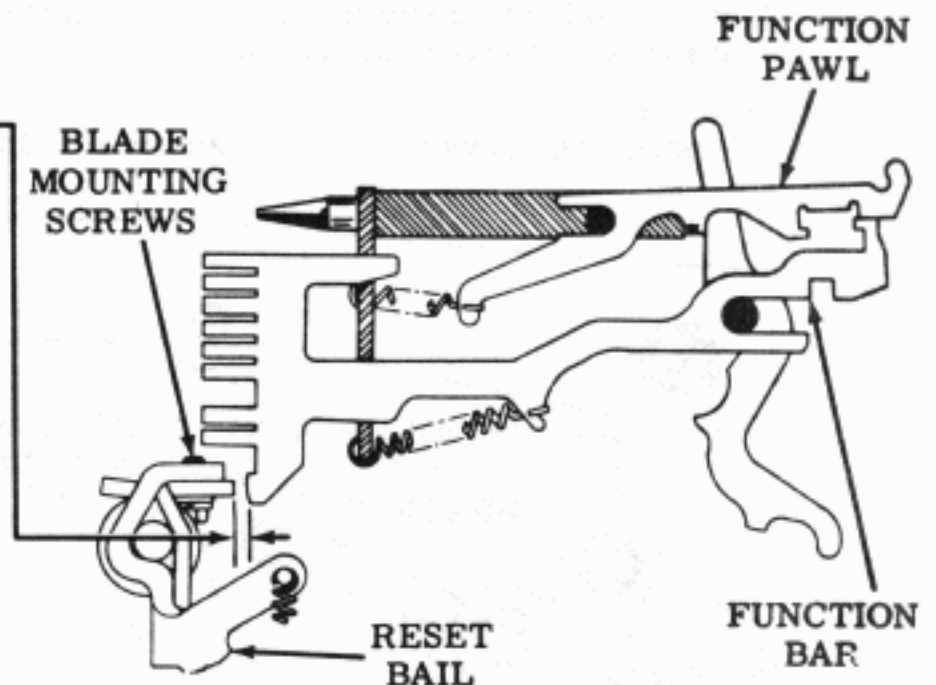
Min 0.018 inch---Max 0.035 inch

To Check

Measure clearance at bars located in stunt box slots 1, 4, 11, 18, 23, 33, 38, and 41. If there is no bar in a designated slot, use nearest bar. If there is a bar on each side of a designated vacant slot, use bar in highest numbered slot. (Note: Facing rear of unit, slots are numbered from left to right.)

To Adjust

Position blade on reset bail with its mounting screws friction tight.



(2) **Requirement**

Function pawl should overtravel function bar by
Min 0.002 inch

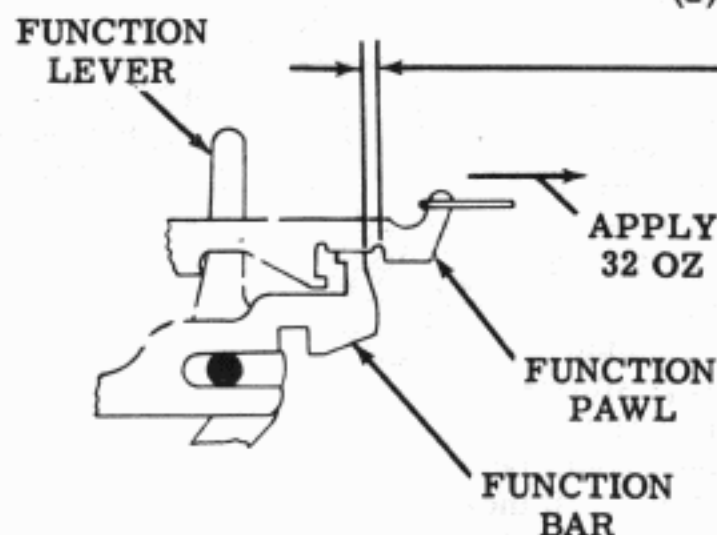
To Check

If carriage return lever adjustment has not been made, its clamp screw should be loosened. Position function clutch so that lug on clutch disc is toward bottom of unit. Strip off any selected function pawls. Hold function lever in maximum rearward position (do not put over 2 lb of tension on lever) and hold function pawl to rear with a tension of 32 oz. (As load on reset bail affects overtravel, do not latch more than one pawl at a time.) Measure clearance. Repeat for each function pawl on stunt box.

To Adjust

If necessary, refine Requirement (1) within the following limits

Min 0.018 inch---Max 0.035 inch



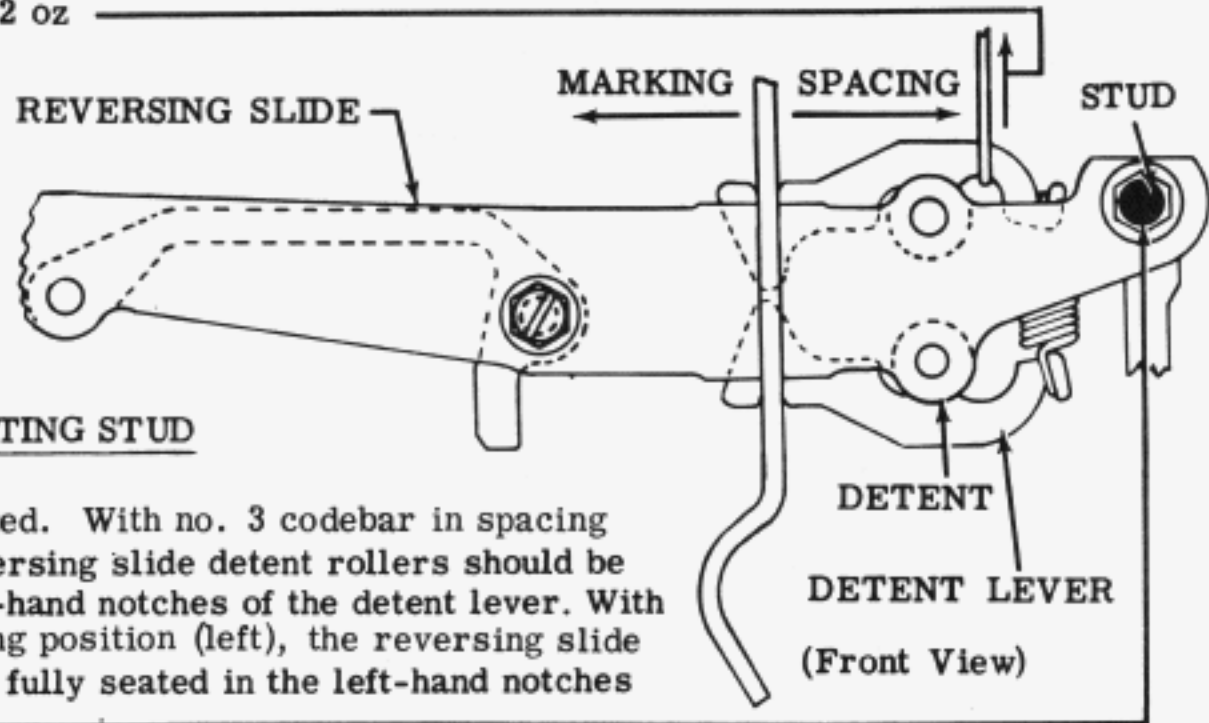
(Right Side View)

2.37 Positioning Mechanism (continued)

(A) REVERSING SLIDE DETENT SPRING

Requirement

Slide in left hand position. Scale hooked in upper right hand detent notch.
 Min 2 oz---Max 4-1/2 oz _____
 to start detent moving.



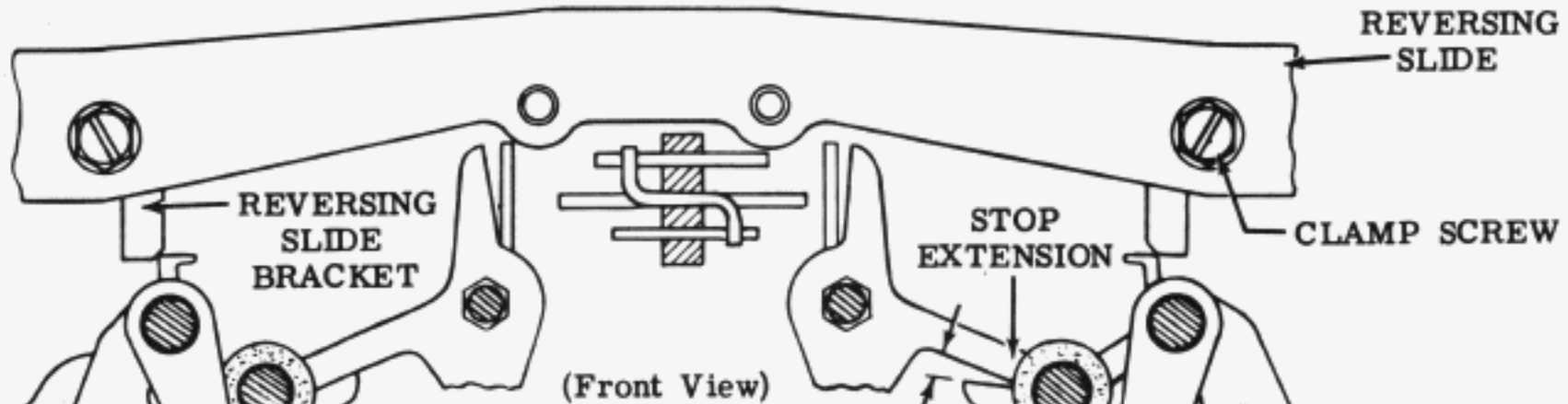
(B) REVERSING SLIDE ADJUSTING STUD

Requirement

Typebox clutch disengaged. With no. 3 codebar in spacing position (right), the reversing slide detent rollers should be fully seated in the right-hand notches of the detent lever. With no. 3 codebar in marking position (left), the reversing slide detent rollers should be fully seated in the left-hand notches of the detent lever.

To Adjust

Position the reversing slide stud in its elongated hole with its mounting nut loosened.



(C) REVERSING SLIDE BRACKETS

Requirement

Typebox clutch, codebar clutch, and function clutch disengaged. Reversing slide moved to right and left through its full travel. Right motion should buckle left horizontal positioning drive linkage and left motion should buckle right horizontal positioning drive linkage. The amount of buckling in each case should be

 Min 0.035 inch---Max 0.050 inch
 measured at point of maximum clearance.

To Adjust

Position each reversing slide bracket with its clamp screw loosened.

RIGHT
 HORIZONTAL
 POSITIONING
 DRIVE LINKAGE

2.38 Positioning Mechanism (continued)

HORIZONTAL POSITIONING DRIVE LINKAGE

(1) Requirement

Typebox clutch disengaged. Codebars in spacing position. Clearance between longest horizontal stop and positioning linkage slides

Min 0.090 inch---Max 0.110 inch

clearance at two sides should be equal within 0.008 inch, with positioning linkage in straight position. Move reversing slide to right and left to check both sides.

To Adjust

Loosen two screws in drive linkage bearing posts and two screws in bearing posts tie bar. With reversing slide in right hand position, locate right hand bearing post so clearance between longest horizontal stop and right hand positioning lever slide

Min 0.095 inch---Max 0.105 inch

Tighten two screws in bearing posts tie bar. Do not tighten bearing posts mounting screws. Move reversing slide to left hand position, check clearance between longest horizontal stop and left hand positioning lever slide. Equalize clearance at right and left positioning slides within 0.008 inch by moving two bearing posts as a unit.

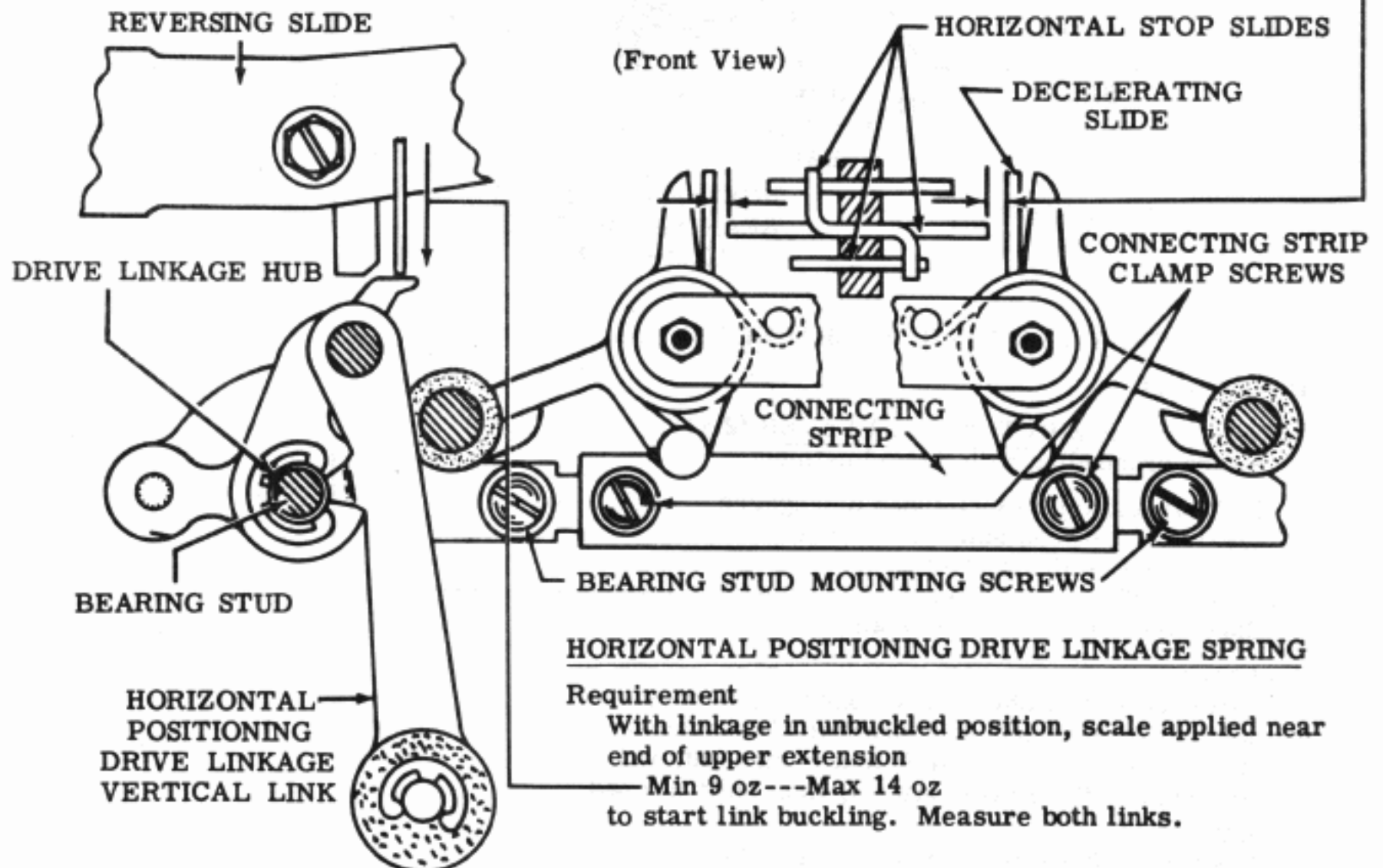
(2) Requirement

Horizontal positioning mechanism should be free of jams or binds.

To Check

Typebox clutch disc should have some movement in the normal direction of rotation in the stop position.

Note: Each positioning linkage should return freely to its straight position after buckling. Recheck REVERSING SLIDE BRACKETS (2.37).



2.39 Positioning Mechanism (continued)

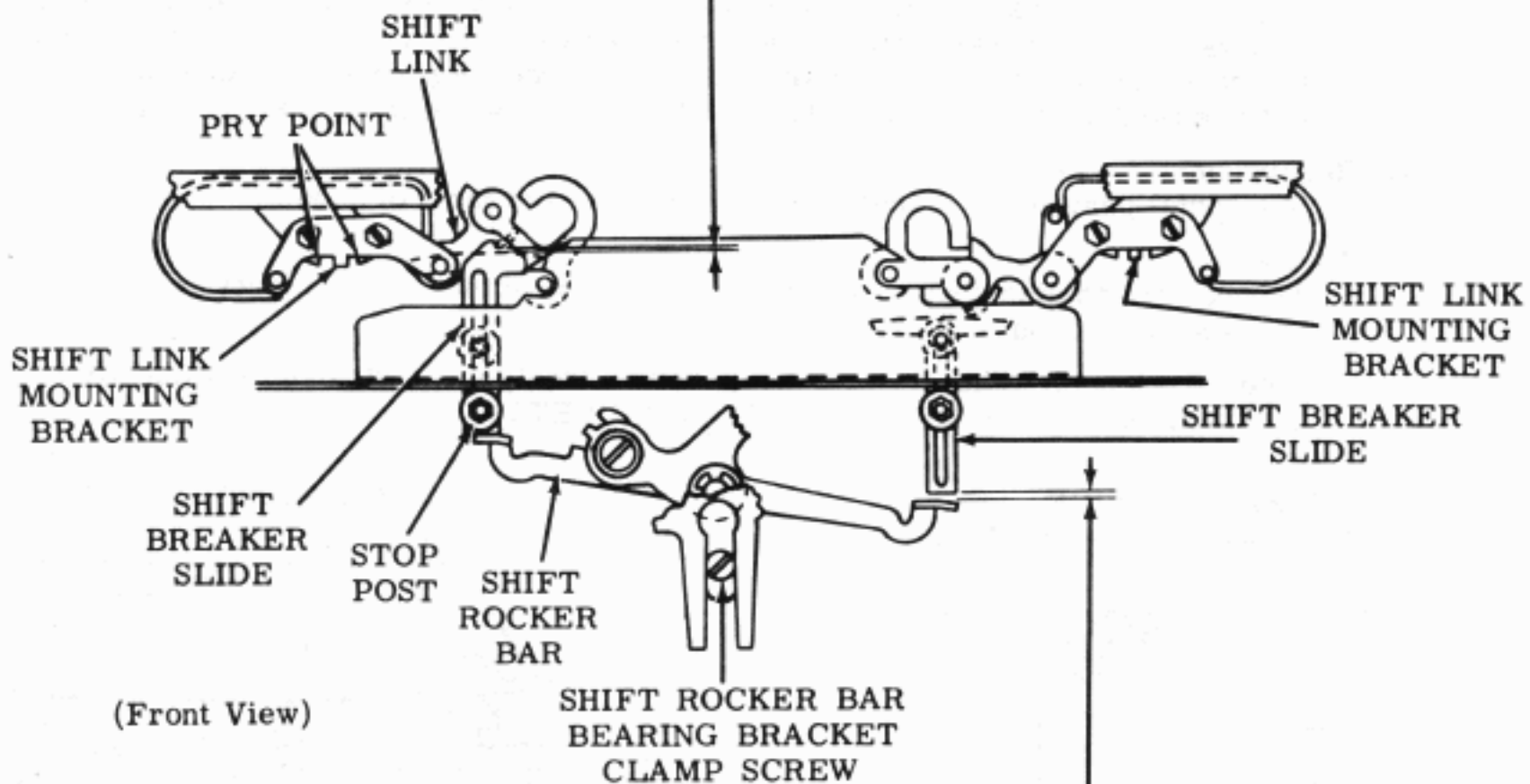
SHIFT LINKAGE (PRELIMINARY)

Requirement

With codebar and typebox clutches disengaged
 Min 0.030 inch---Max 0.050 inch
 between shift breaker slide and pad on shift link, with link buckled and shift breaker slide pushed upwards against stop. Clearance at two sides equal within 0.010 inch.

To Adjust

Position shift link mounting brackets up or down by means of play in mounting holes.



SHIFT ROCKER BAR BEARING BRACKET

Requirement

Note: Verify SHIFT ROCKER LEVER (2.41) before proceeding with this adjustment.

Codebar and typebox clutches disengaged.
 Clearance between shift rocker bar and lower end of right shift breaker slide
 Min 0.050 inch---Max 0.070 inch
 Check left side in similar manner.

To Check

Raise left end of shift rocker bar to uppermost position, holding left shift breaker slide against stop. Make sure right shift link is straight, and hold right shift breaker slide against shift link pad.

To Adjust

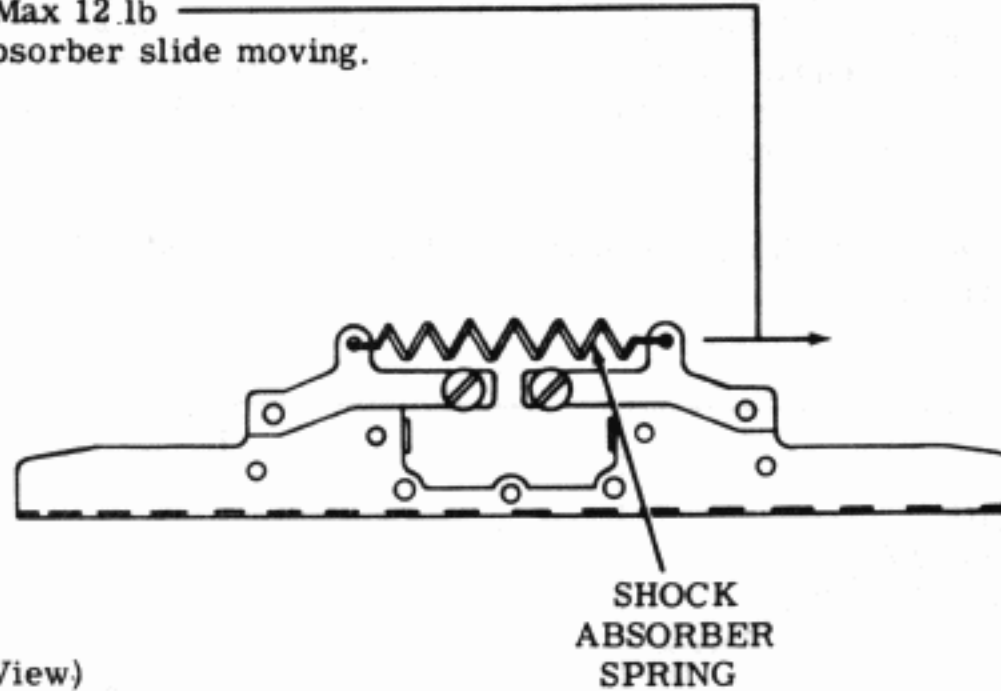
Position shift rocker bar bearing bracket with clamp screw friction tight.

2.40 Positioning Mechanism (continued)

HORIZONTAL SHIFT LINK SHOCK ABSORBER SPRING**Requirement**

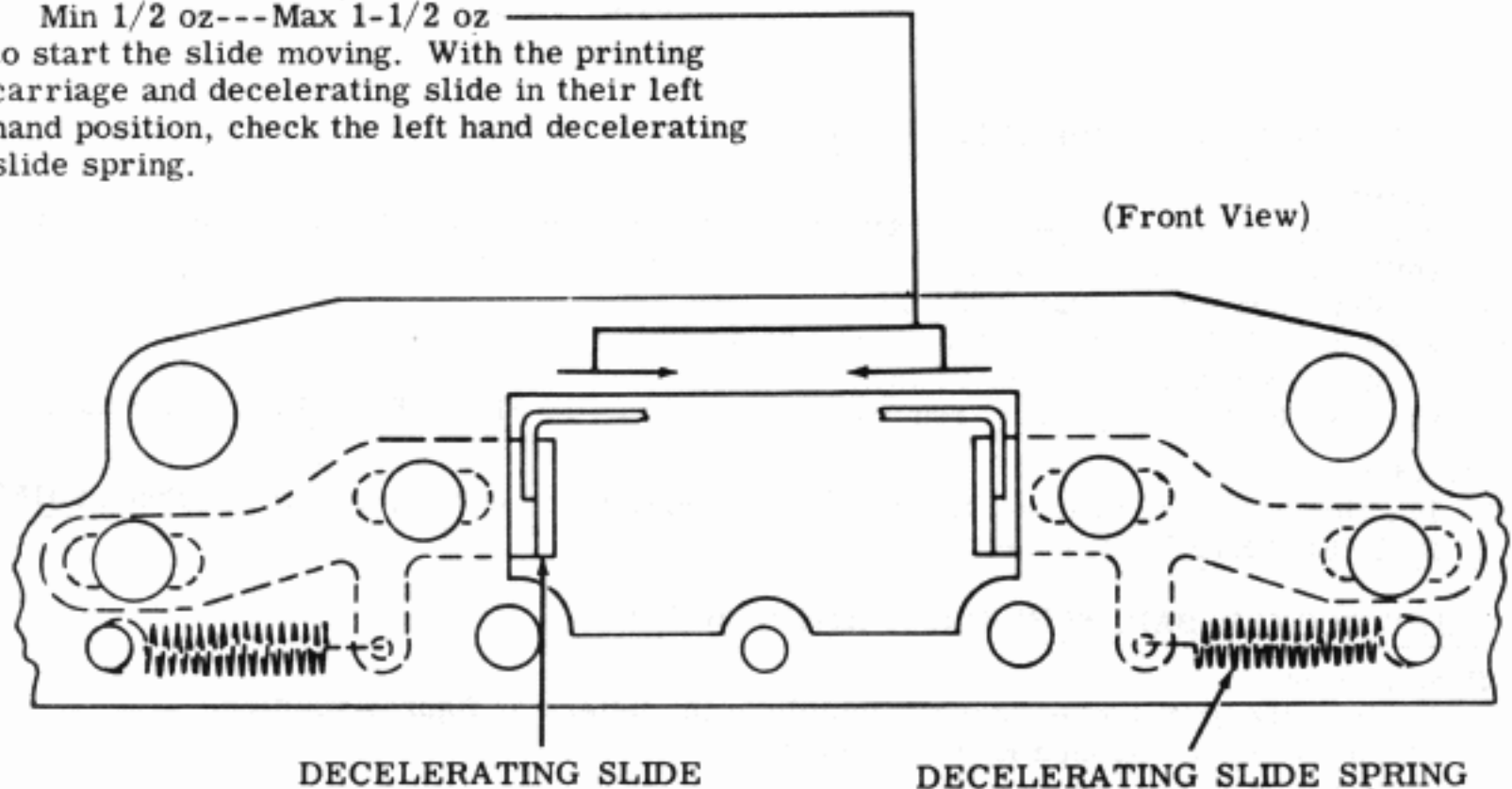
Typebox carriage at left side of typing unit. Right hand shift link in straight or unbuckled position.

Min 10 lb---Max 12 lb
to start shock absorber slide moving.

DECELERATING SLIDE SPRING**Requirement**

Printing bail in downward position. Printing carriage and decelerating slide assembly in right hand position.

Min 1/2 oz---Max 1-1/2 oz
to start the slide moving. With the printing carriage and decelerating slide in their left hand position, check the left hand decelerating slide spring.



2.41 Positioning Mechanism (continued)

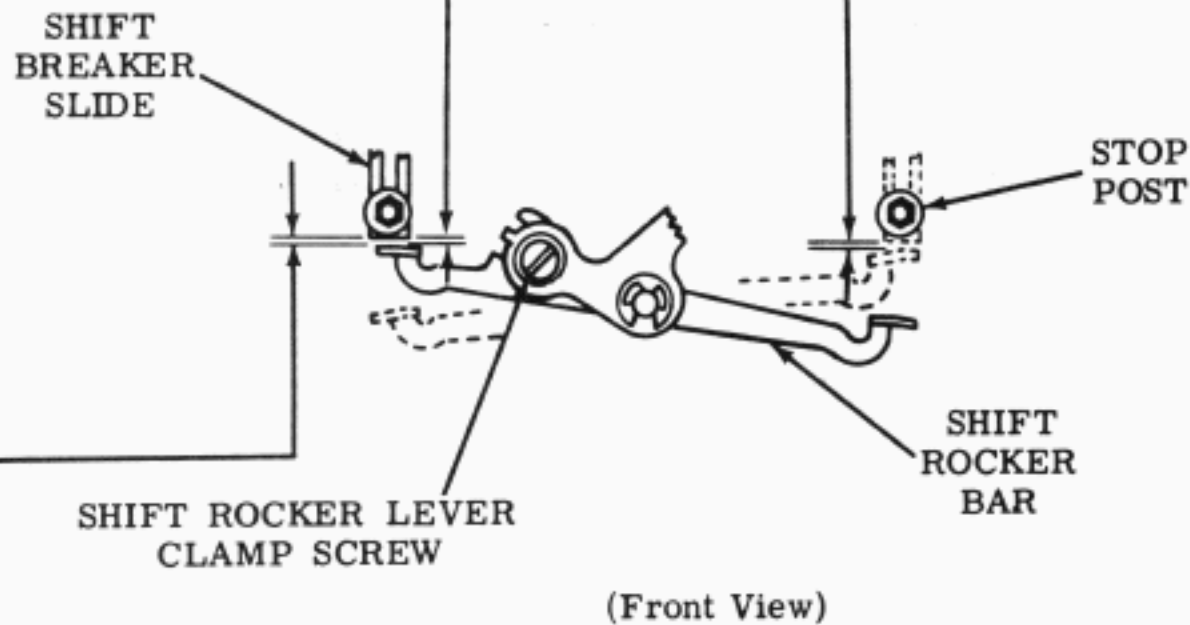
SHIFT ROCKER LEVER

Requirement

With the codebar bail arm assembly roller on the high part of the cam, make a left and right shift selection. On each shift selection measure the clearance between the raised end of the shift rocker bar and the lower end of the associated shift breaker slide. On the shift selection which yields the smaller clearance, take up the play in an upward direction at the lower end of the shift rocker lever with a force of 2 ounces. The resulting clearance should be equal within 0.010 inch to the clearance between the raised end of the shift rocker bar and the lower end of the associated shift breaker slide when the opposite shift selection is made.

To Adjust

Loosen shift rocker lever clamp screw friction tight and position shift rocker lever. Tighten clamp screw.



SHIFT DRIVE PAWL OPERATING BAIL

Requirement

With shift drive pawl operating bail cam follower on high dwell of cam, clearance between shift rocker bar and lower end of raised shift breaker slide

Min 0.005 inch---Max 0.025 inch
when slide is held against stop. To be held within
Min 0.005 inch---Max 0.035 inch

when the 0.010 inch parallel requirement is held in the SHIFT ROCKER LEVER adjustment.

To Adjust

Position operating bail cam follower arm by means of its clamp screw. Recheck SHIFT ROCKER LEVER adjustment.

SHIFT ROCKER BAIL SPRING (For Applicable Units)

Requirement

Position the shift rocker bail alternately in the letters or figures position. While spring is extended it should require

Min 2 oz---Max 6 oz
to pull spring to its installed length.

2.42 Positioning Mechanism (continued)

SHIFT DRIVE PAWL GUIDE BRACKET

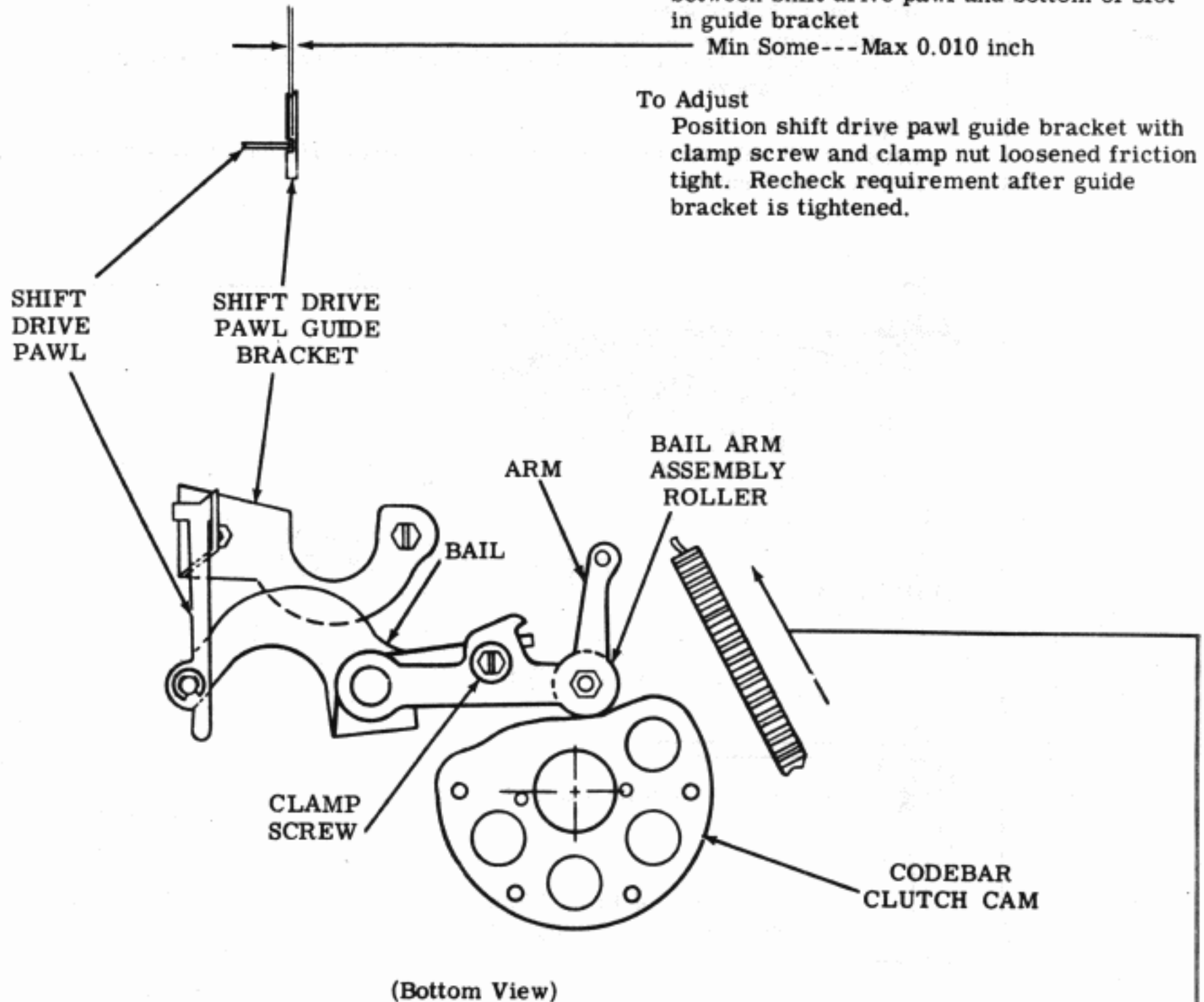
Requirement

Codebar clutch disengaged. Bail arm assembly spring removed. Movement of its bail arm assembly should cause shift drive pawl to move freely in its guide bracket throughout its entire travel. Clearance between shift drive pawl and bottom of slot in guide bracket

Min Some---Max 0.010 inch

To Adjust

Position shift drive pawl guide bracket with clamp screw and clamp nut loosened friction tight. Recheck requirement after guide bracket is tightened.



BAIL ARM ASSEMBLY SPRING

Requirement

Drive pawl bail arm assembly on low part of cam. Unhook spring.

Min 6 oz---Max 12 oz
to pull spring to installed length.

2.43 Positioning Mechanism (continued)

SHIFT SELECTOR ARM BELLCRANK

Requirement

Shift pushlever in marking position (toward front), selector clutch and codebar clutch disengaged. Shift pawl should clear end of shift drive pawl bearing post.

Min some---Max 0.025 inch

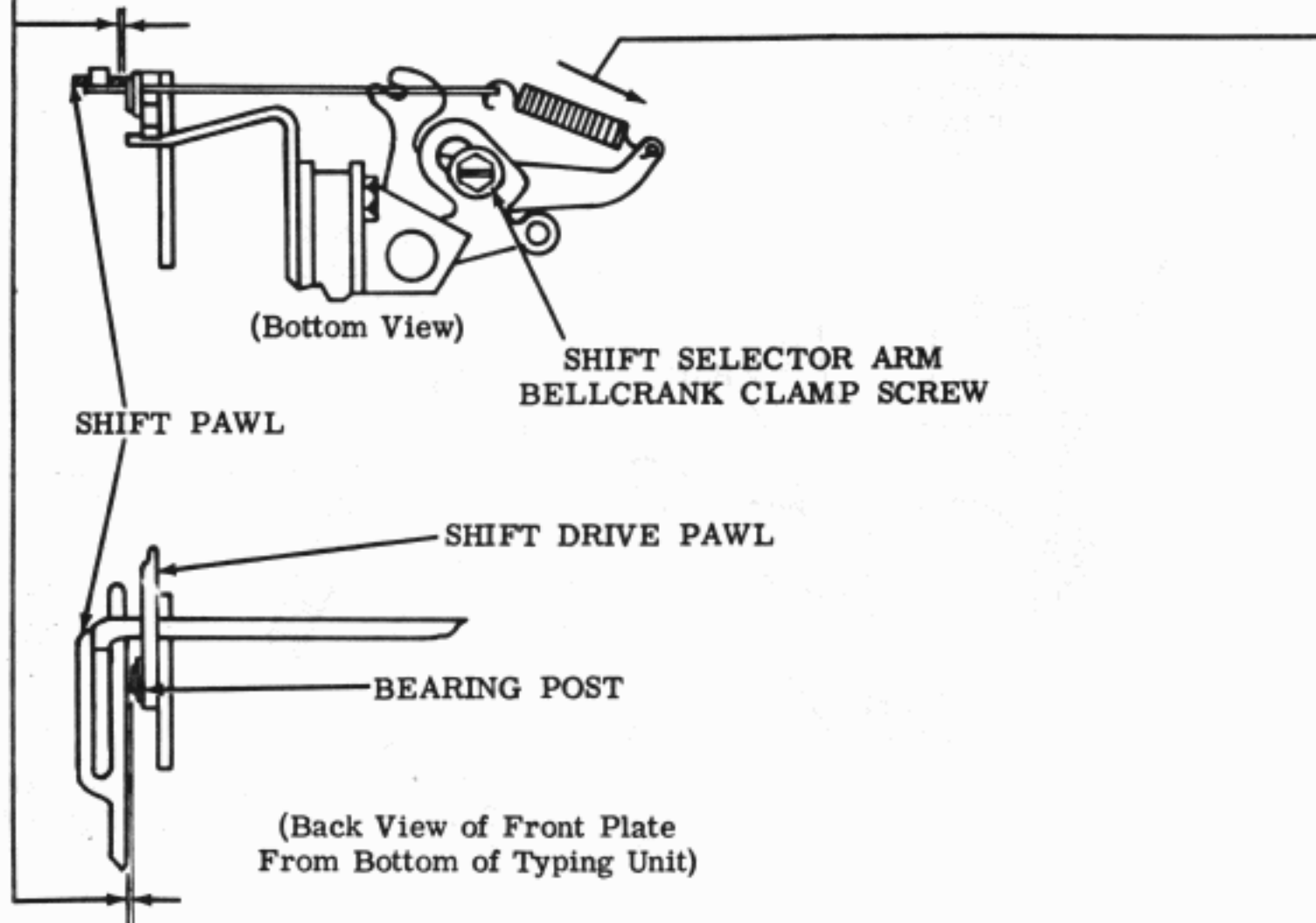
Note: On units containing storage mechanism, shift pushlever in spacing position (toward rear), shift intermediate storage lever marking, selector clutch and codebar clutch disengaged. Shift pawl should clear end of shift drive pawl bearing post.

Min some---Max 0.025 inch

Recheck INTERMEDIATE ARM BACKSTOP BRACKET (2.15). Refine requirement above.

To Adjust

Loosen shift selector arm bellcrank clamp screw friction tight. Position to meet requirement.



SHIFT PAWL SELECTOR LINK YIELD SPRING

Requirement

Shift pushlever in marking position, selector clutch and codebar clutch disengaged

Min 5 oz---Max 7 oz
to pull spring to installed length.

2.44 Spacing Mechanism (continued)

Note: Check related adjustments, (See 2.48, 2.55, and 2.56) if the following adjustments are remade.

OSCILLATING RAIL SLIDE POSITION

Requirement

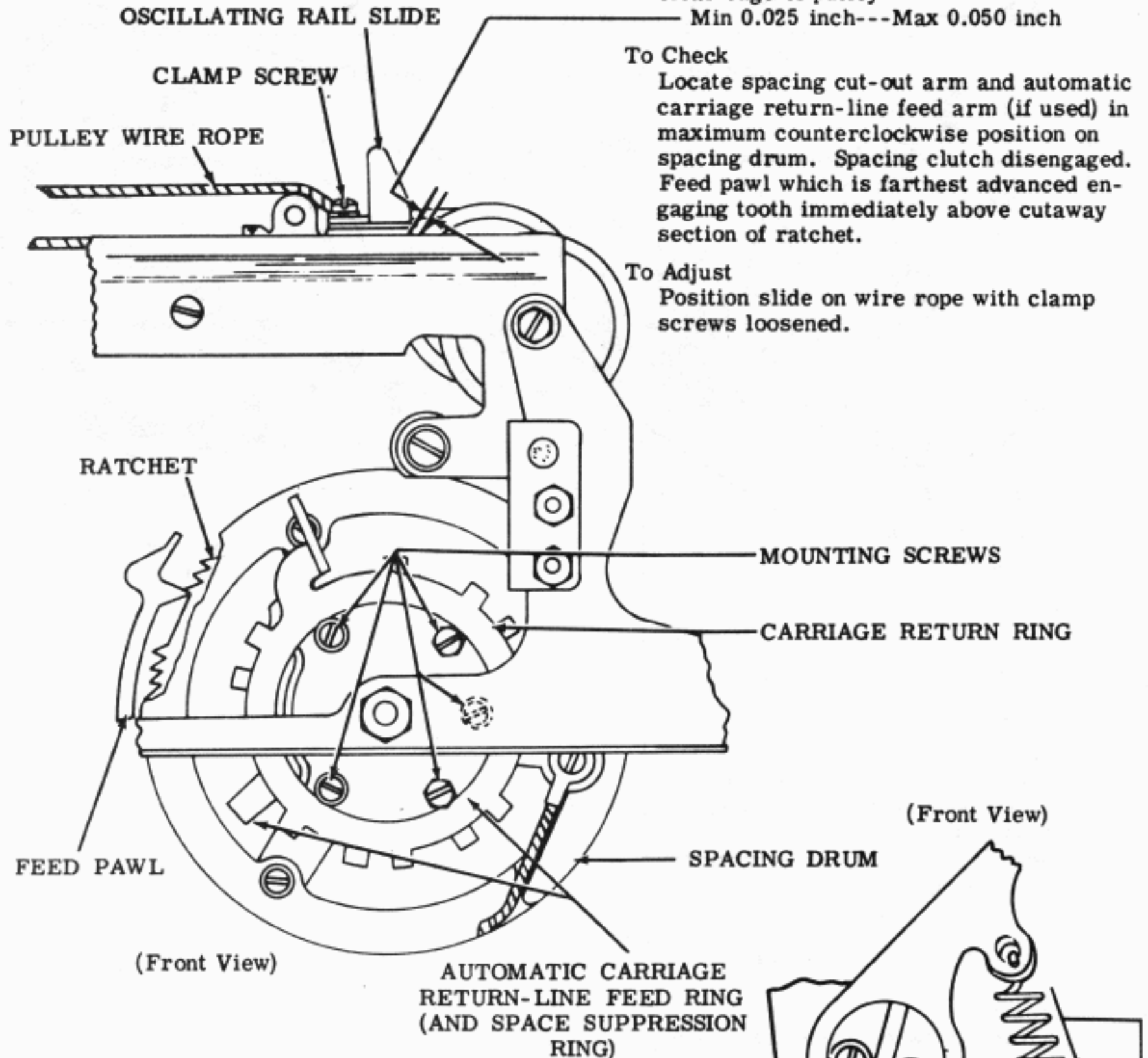
Right end of oscillating rail slide should clear edge of pulley
Min 0.025 inch---Max 0.050 inch

To Check

Locate spacing cut-out arm and automatic carriage return-line feed arm (if used) in maximum counterclockwise position on spacing drum. Spacing clutch disengaged. Feed pawl which is farthest advanced engaging tooth immediately above cutaway section of ratchet.

To Adjust

Position slide on wire rope with clamp screws loosened.



SPACING FEED PAWL SPRING

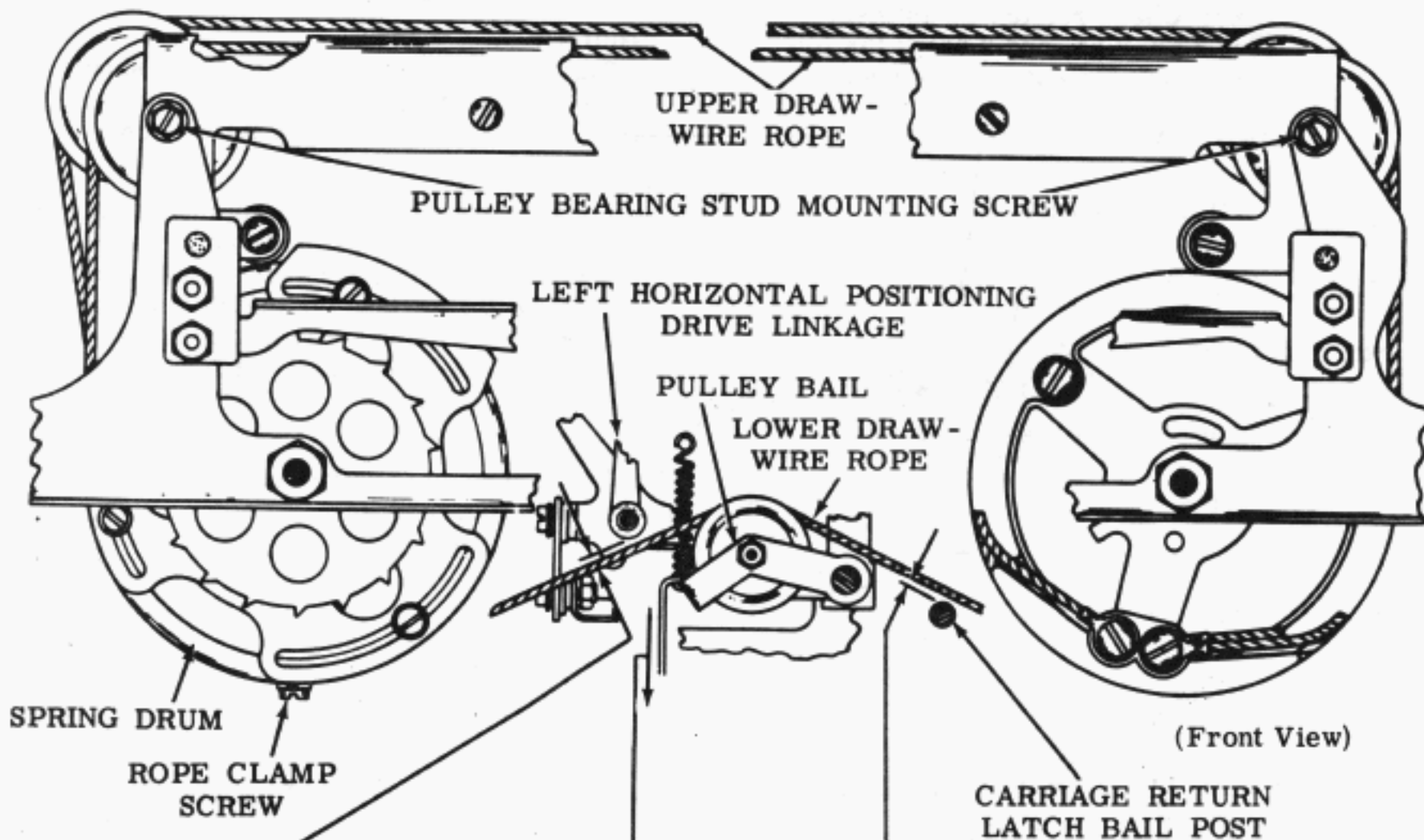
Requirement

Each spacing pawl in least advanced position resting against ratchet wheel. Each spring unhooked from bracket

Min 2-1/2 oz---Max 6 oz
to pull springs to installed length.

Note: On units equipped for 5 or 6 spaces per inch the tension to pull each spring to installed length should be Min 7-1/2 oz---Max 11 oz.

2.45 Spacing Mechanism (continued)



LOWER DRAW-WIRE ROPE PULLEY BAIL SPRING

Requirement

Spring unhooked from pulley bail, bail extension resting on opening in front plate.

Min 26 oz --- Max 30 oz
to pull spring to position length.

CARRIAGE DRAW-WIRE ROPE

Requirement

Clearance between lower draw-wire rope and carriage return latch bail post should be

Min 0.006 inch

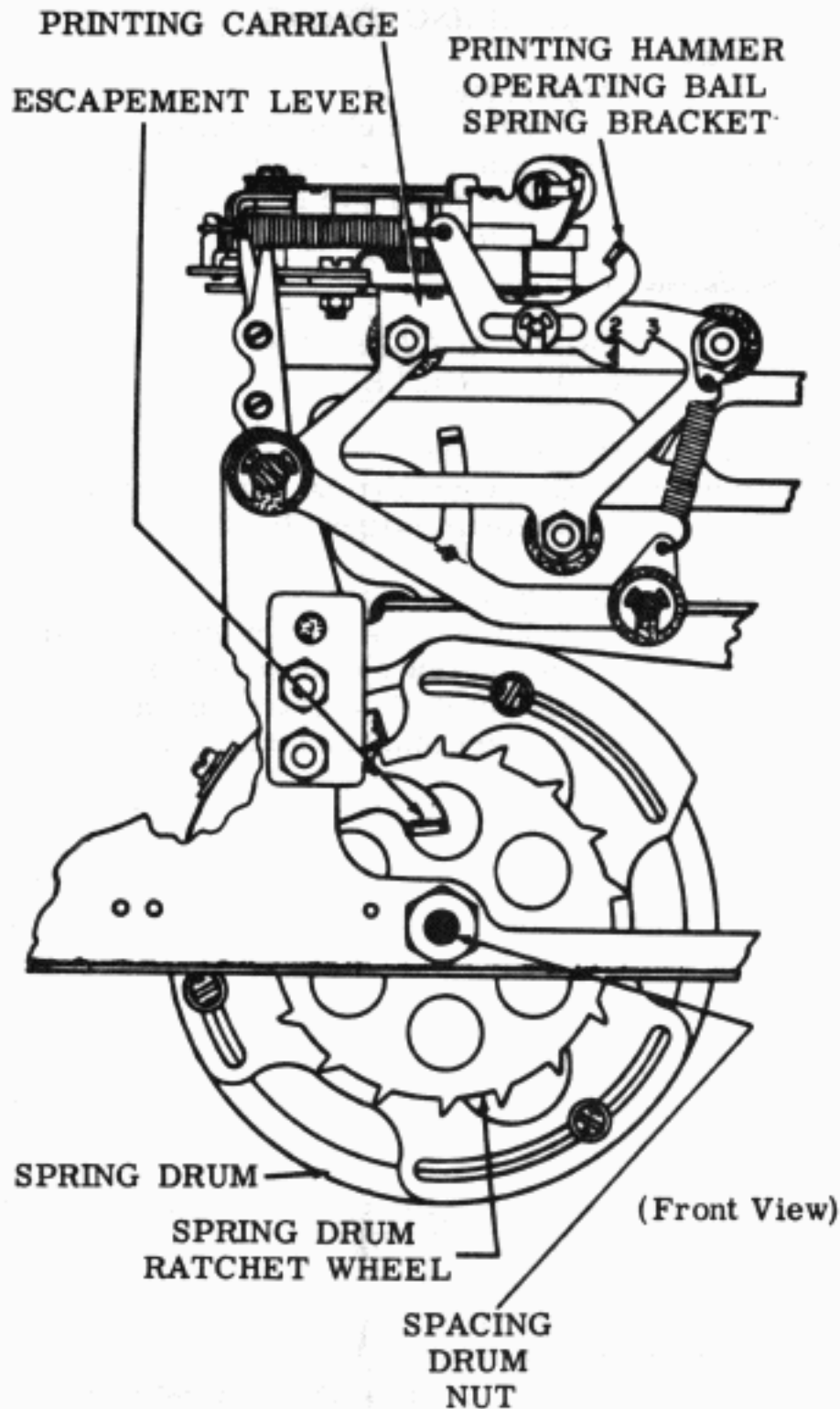
With the horizontal positioning mechanism in its lowest position, clearance between the lower draw-wire rope and the left horizontal positioning drive linkage should be

Min 0.030 inch

To Adjust

Advance printing carriage to extreme left hand position. Rotate typebox clutch 1/2 revolution. Loosen rope clamp screw one turn only. Position pulley bearing studs, with their mounting screws loosened, to meet requirement. Check that cable has moved around its equalizing clamp so that cables have equal tension (gauge by feel). Tighten clamp screw.

2.46 Spacing Mechanism (continued)



CARRIAGE RETURN SPRING

Requirement

Pull required to start drum moving
 Min 3-1/2 lb---Max 4-1/4 lb

To Check

Spacing drum in returned position. Printing track in lowest position. Remove lower cable roller and print hammer carriage stabilizer springs. Hold spacing pawls, buffer slide, and carriage return latch to prevent interference with spacing drum.

To Adjust

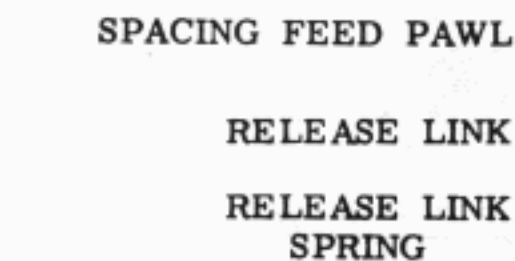
Spring drum nut loosened. Rotate spring drum ratchet wheel to increase tension. Operate escapement lever to decrease tension.

Note: Keep spring tension at minimum for operation at altitudes higher than 2000 feet above sea level.

SPACING FEED PAWL RELEASE LINK SPRING

Requirement

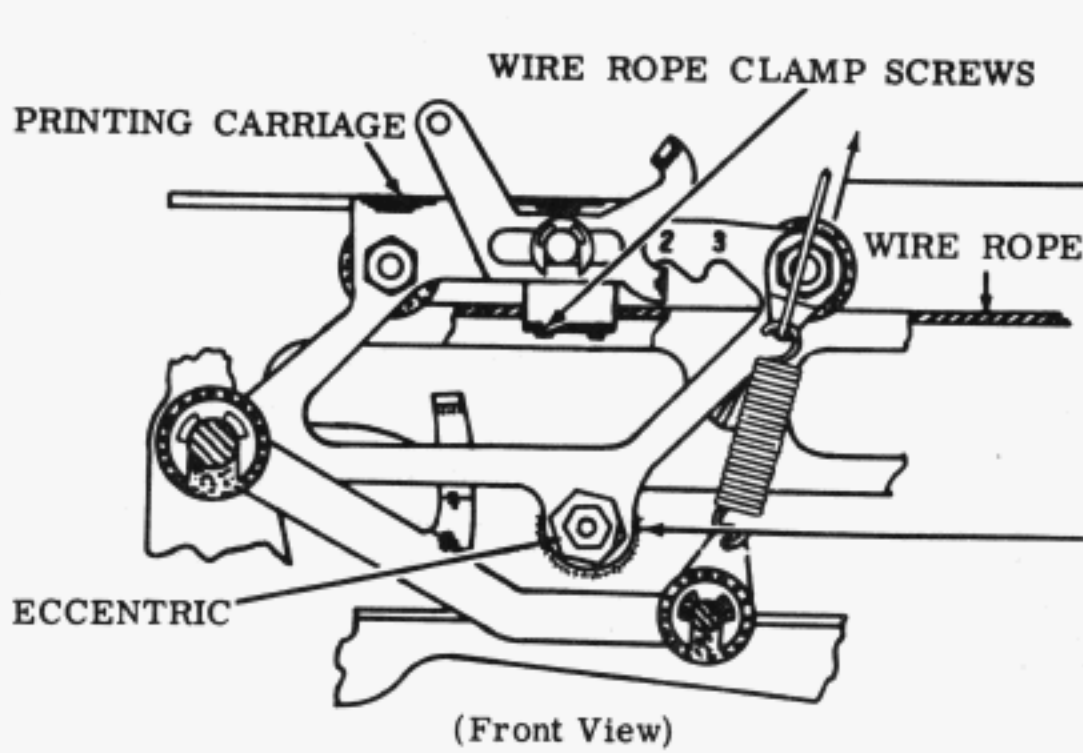
Min 1/2 oz---Max 2-1/2 oz to start link moving.



(Front View)



2.47 Printing Mechanism



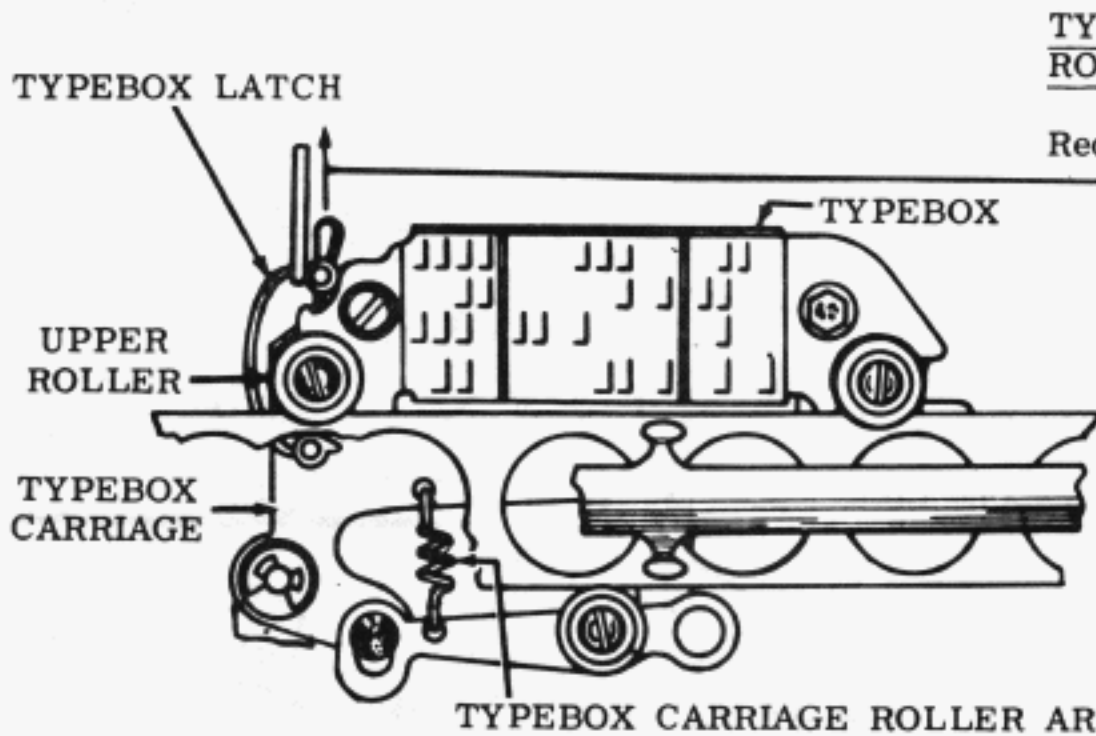
STABILIZING SPRING

Requirement
Typebox clutch disengaged
Min 5 oz --- Max 8 oz
to pull spring to installed
length.

PRINTING CARRIAGE
LOWER ROLLER

Requirement
Carriage vertical play on track
minimum without binding.

To Adjust
Position eccentric of lower roller
with screw nut loosened. Keep
high part of eccentric (chamfered
corner) toward right.



TYPEBOX CARRIAGE
ROLLER ARM SPRING

Requirement
Min 28 oz --- Max 36 oz
to start upper roller, nearest type-
box latch, moving away from carriage
track.

2.48 Spacing Mechanism (continued)

CARRIAGE RETURN LATCH BAIL

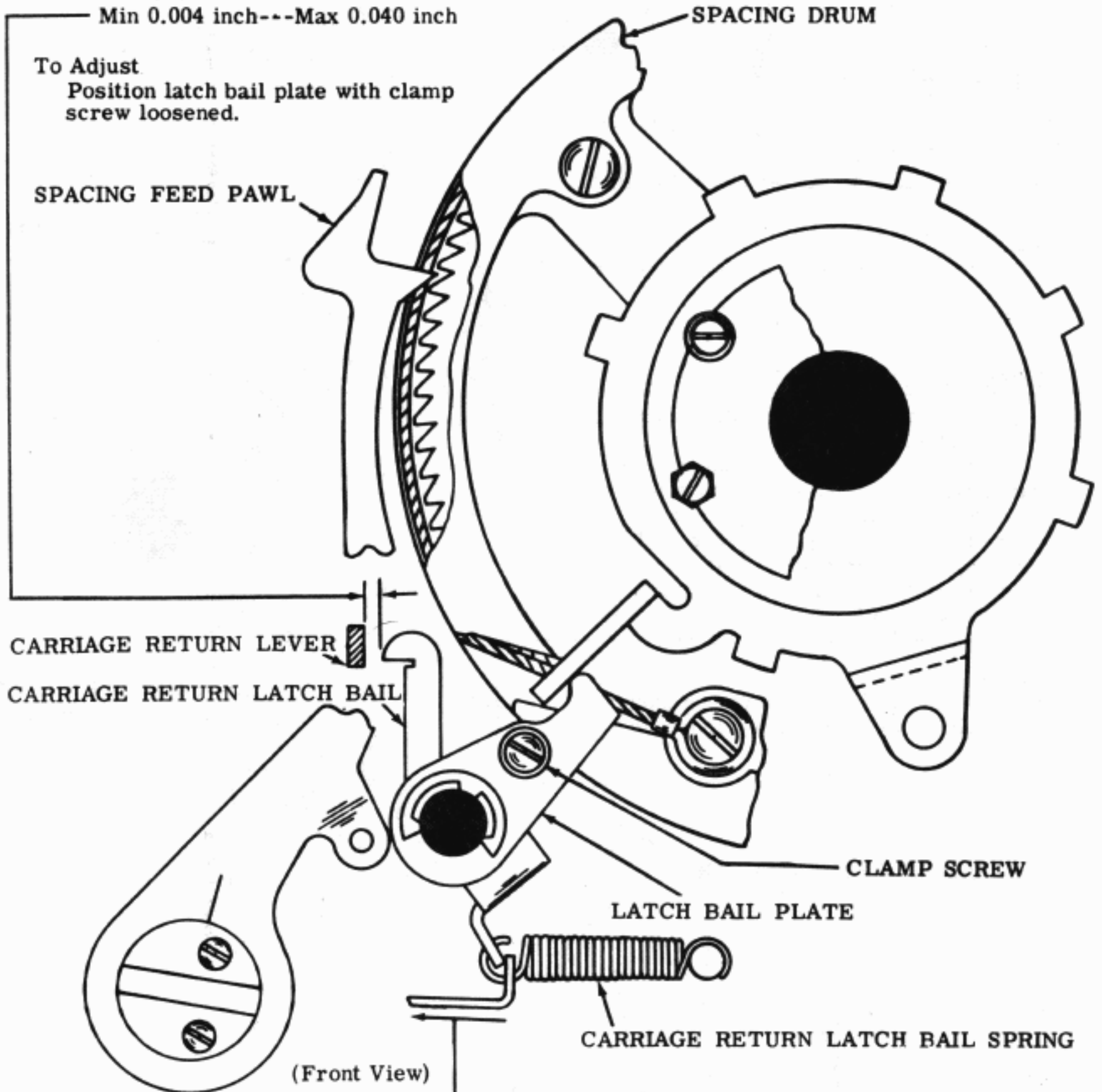
Requirement

Carriage fully returned. Play in carriage return bail taken up to right by holding right side of bail against its retainer. Clearance between carriage return latch bail and carriage return lever

Min 0.004 inch---Max 0.040 inch

To Adjust

Position latch bail plate with clamp screw loosened.

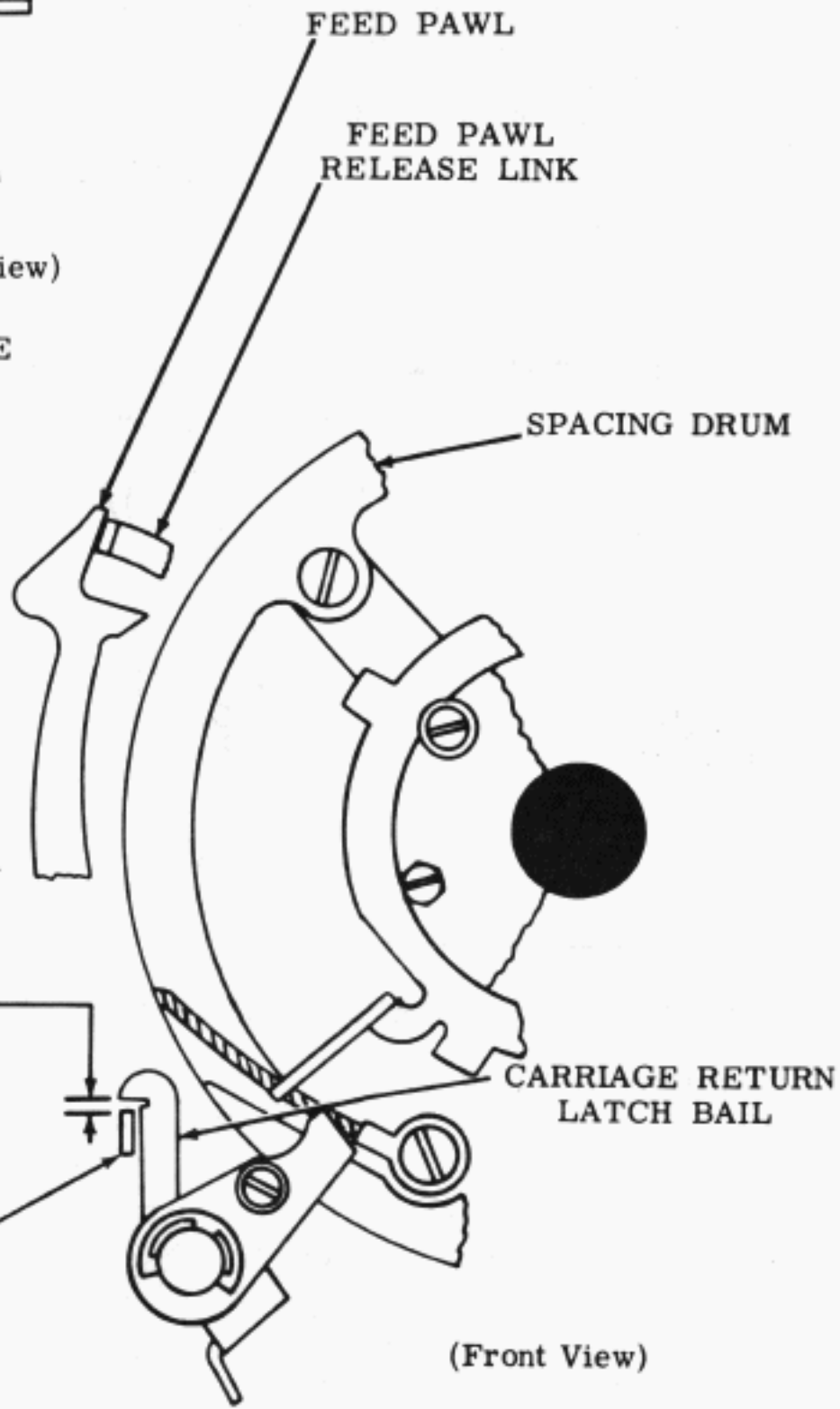
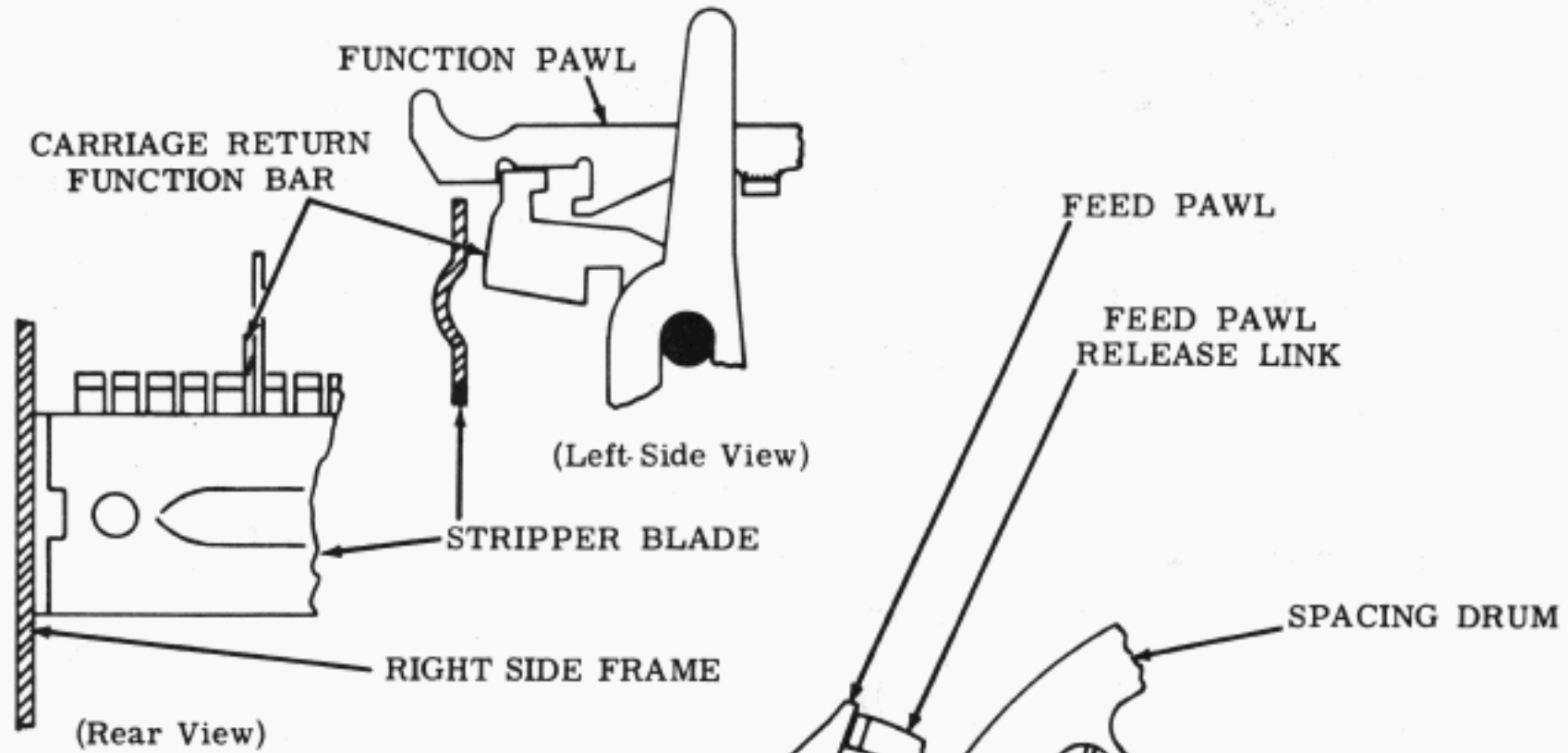


CARRIAGE RETURN LATCH BAIL SPRING

Requirement

Spacing drum fully returned
Min 3 oz---Max 4-1/2 oz
to start latch bail moving.

2.49 Spacing Mechanism (continued)

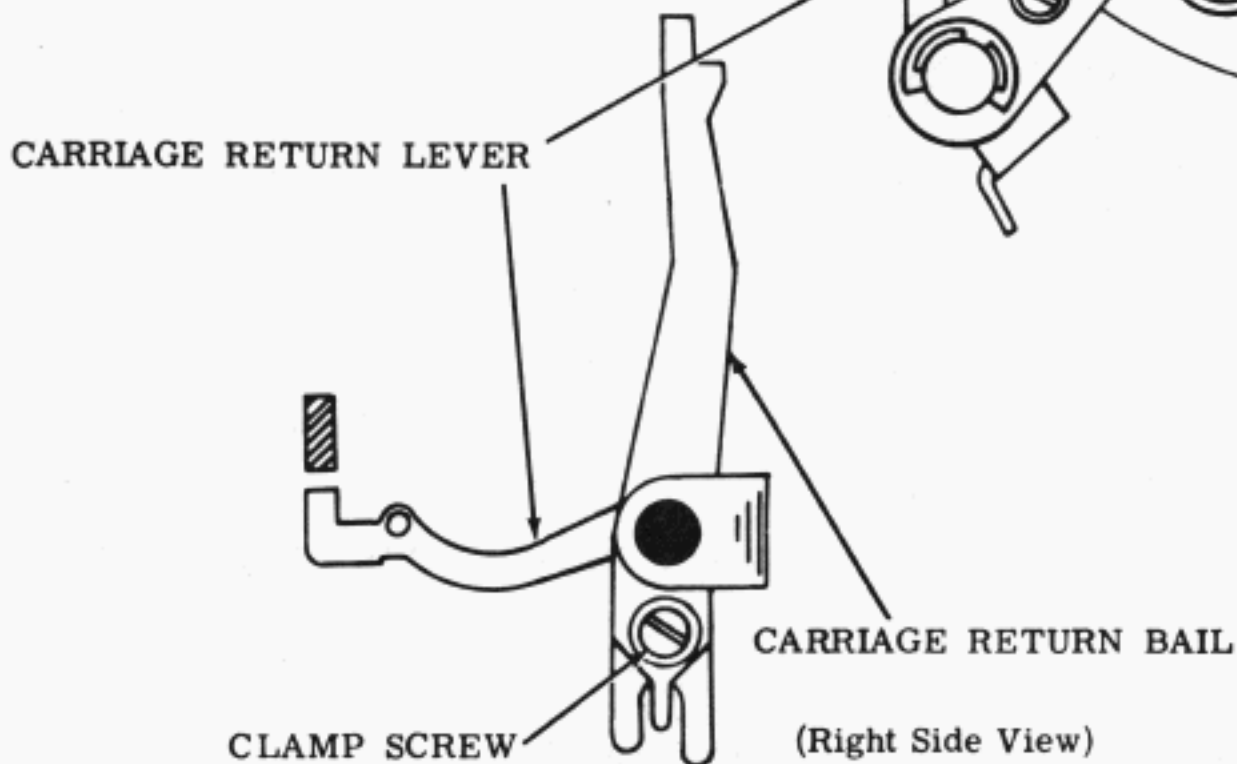


CARRIAGE RETURN LEVER

Requirement (Units Equipped with One-Stop Function Clutch)

Carriage return function set up on selector. Main shaft rotated until function clutch stop-lug is toward bottom of unit. Carriage return function pawl hooked over its function bar. Spacing drum held so that carriage return latch bail is latched. Clearance between latch bail and carriage return lever
 Min 0.006 inch---Max 0.035 inch

To Adjust
 Position carriage return lever on carriage return bail with clamp screw loosened.



2.50 Spacing Mechanism (continued)

DASPOT VENT SCREW

Requirement

Typebox carriage should return from any length of line without bouncing.

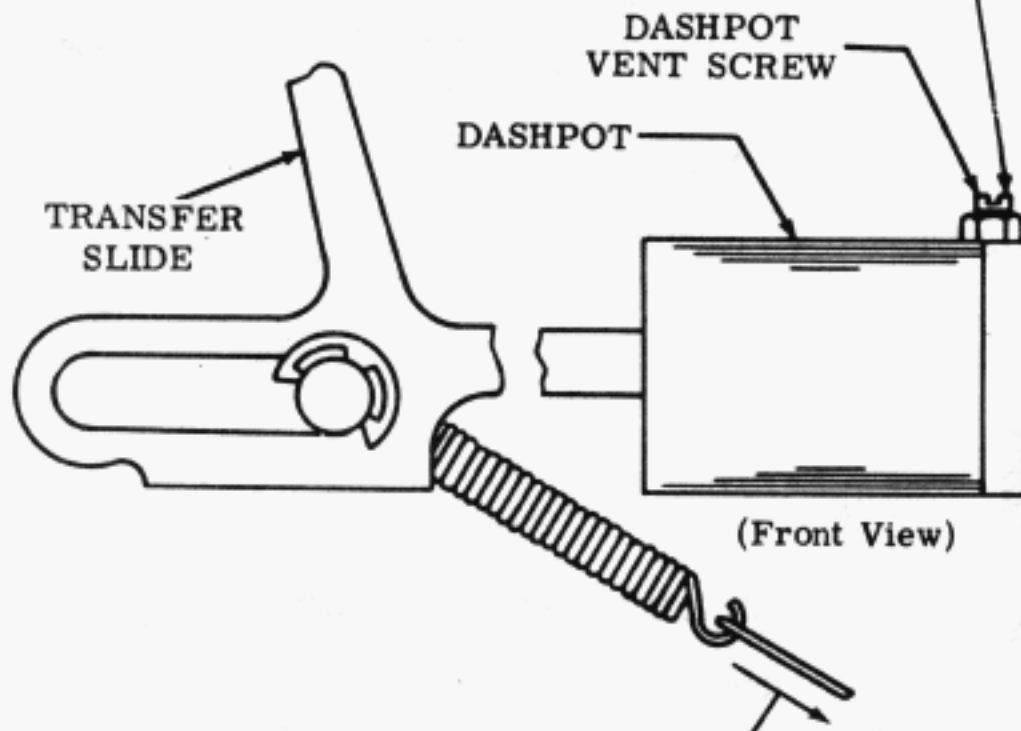
To Check

Printer operated at any speed from automatic transmission with one CR and one LF signal between lines. First character of each line should be printed in same location as if unit was manually operated slowly.

To Adjust

Turn down vent screw until slight pneumatic bounce is perceptible. Back off screw until effect disappears, then back screw off 1/4 turn. Tighten nut.

Note: It may also be necessary to reduce tension shown in CARRIAGE RETURN SPRING (2.46) adjustment to minimum for operation at altitudes higher than 2000 feet above sea level.



TRANSFER SLIDE SPRING

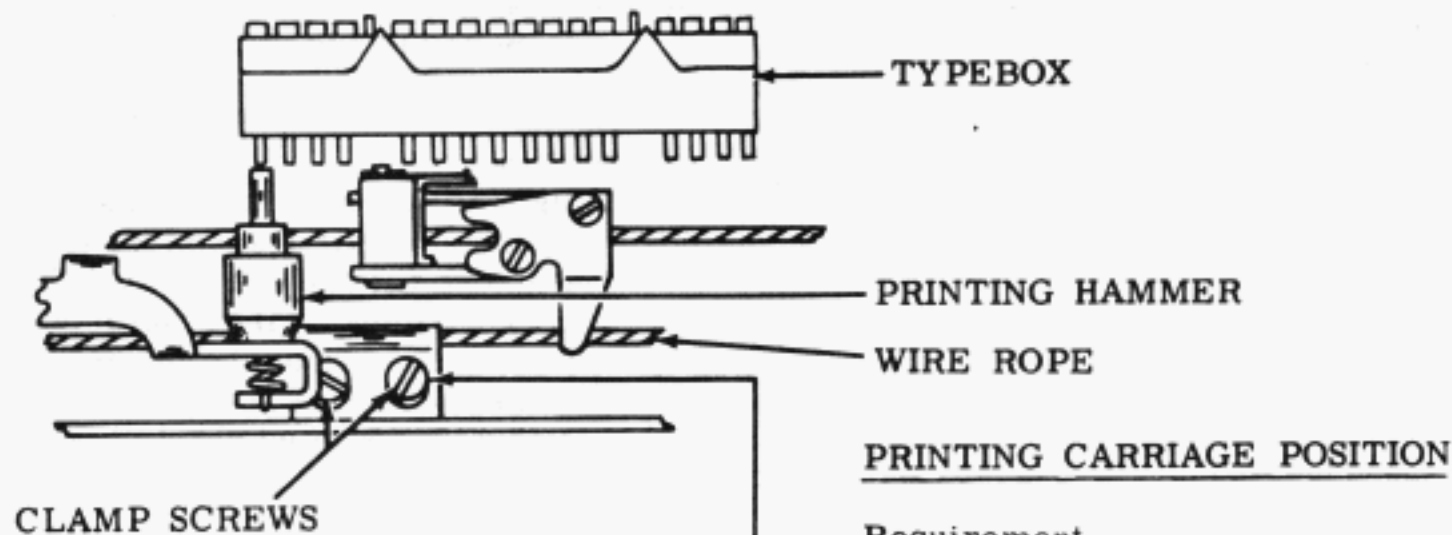
Requirement

Transfer slide in extreme left position. Spring unhooked.

Min 3-1/2 oz---Max 4-1/2 oz to pull spring to installed length.

2.51 Printing Mechanism (continued)

Note: Check related adjustments (2.44, 2.46, and 2.56), if the following adjustments are remade.



(Top View)

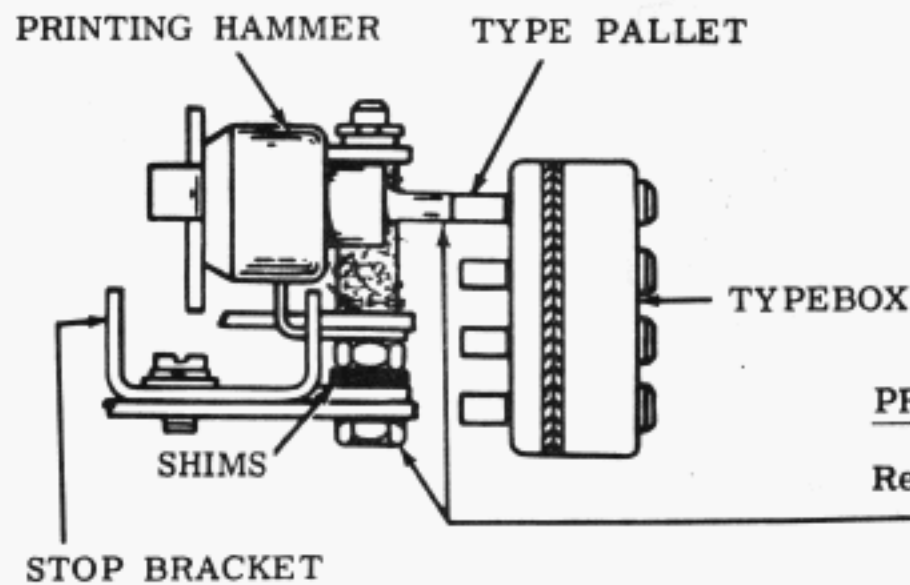
Requirement

Combination set up to print an apostrophe. Printing carriage at approximate midpoint of track. Rotate printer shaft so typebox is in printing position. Proper type pallet should be approximately in center of printing hammer.

To Adjust

Position printing carriage on wire rope with clamp screw loosened.

Note: Take up play in typebox carriage alternately in each direction. Secure carriage at point where print hammer is approximately center of play.



(Right Side View)

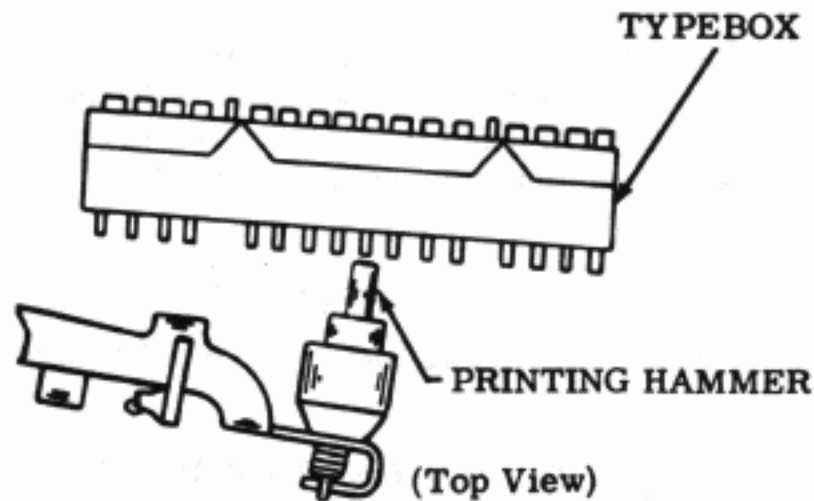
Requirement

Print hammer in contact with type pallet in top row, eighth from right. The hammer face should be fully on the end of the type pallet.

To Adjust

Add or remove shims between shoulder on bearing post and stop bracket. When checking, take up play in hammer operating bail downward on post.

2.52 Positioning Mechanism (continued)



(A) SHIFT LINKAGE (FINAL)

Requirement

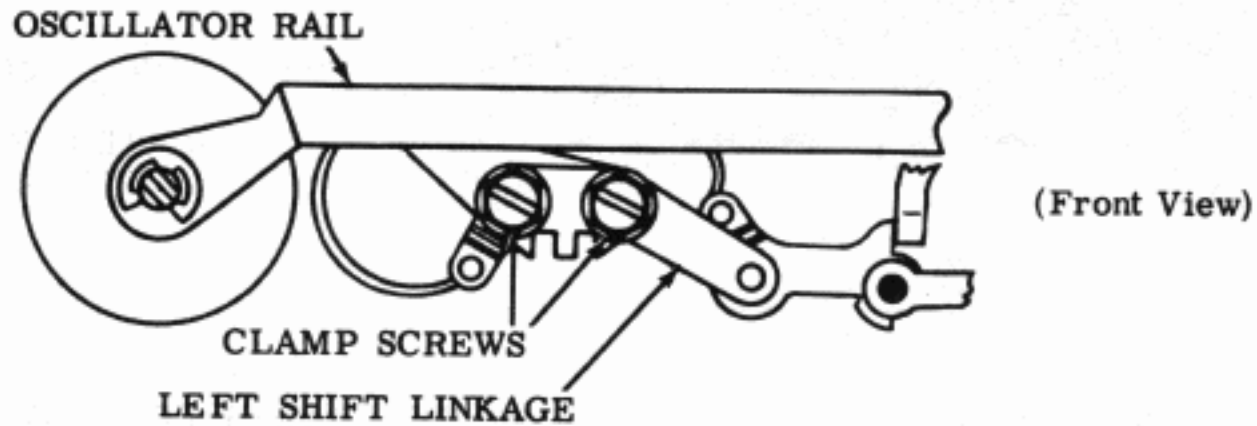
Typebox in position to print eighth character from right in the top row at midpoint of platen. Proper type pallet should align with print hammer.

To Adjust

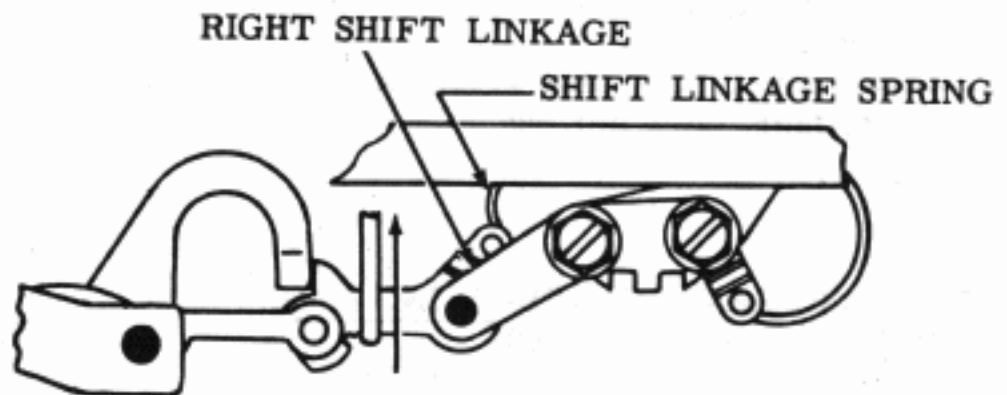
Position oscillator left hand shift link bracket with two clamp screws loosened. With printer operating alternate characters (& and C), refine adjustment for correct alignment if necessary.

Note: Take up typebox carriage play in both directions and set print hammer to approximate center of play, as gauged by eye.

Do not disturb preliminary adjustment (2.39).



(Front View)



(B) SHIFT LINKAGE SPRING

Requirement

Link in straight position
 Min 6 oz---Max 14 oz
 to start each link moving.
 Measure both right and left links.

2.53 Printing Mechanism (continued)

(A) PRINTING TRACK

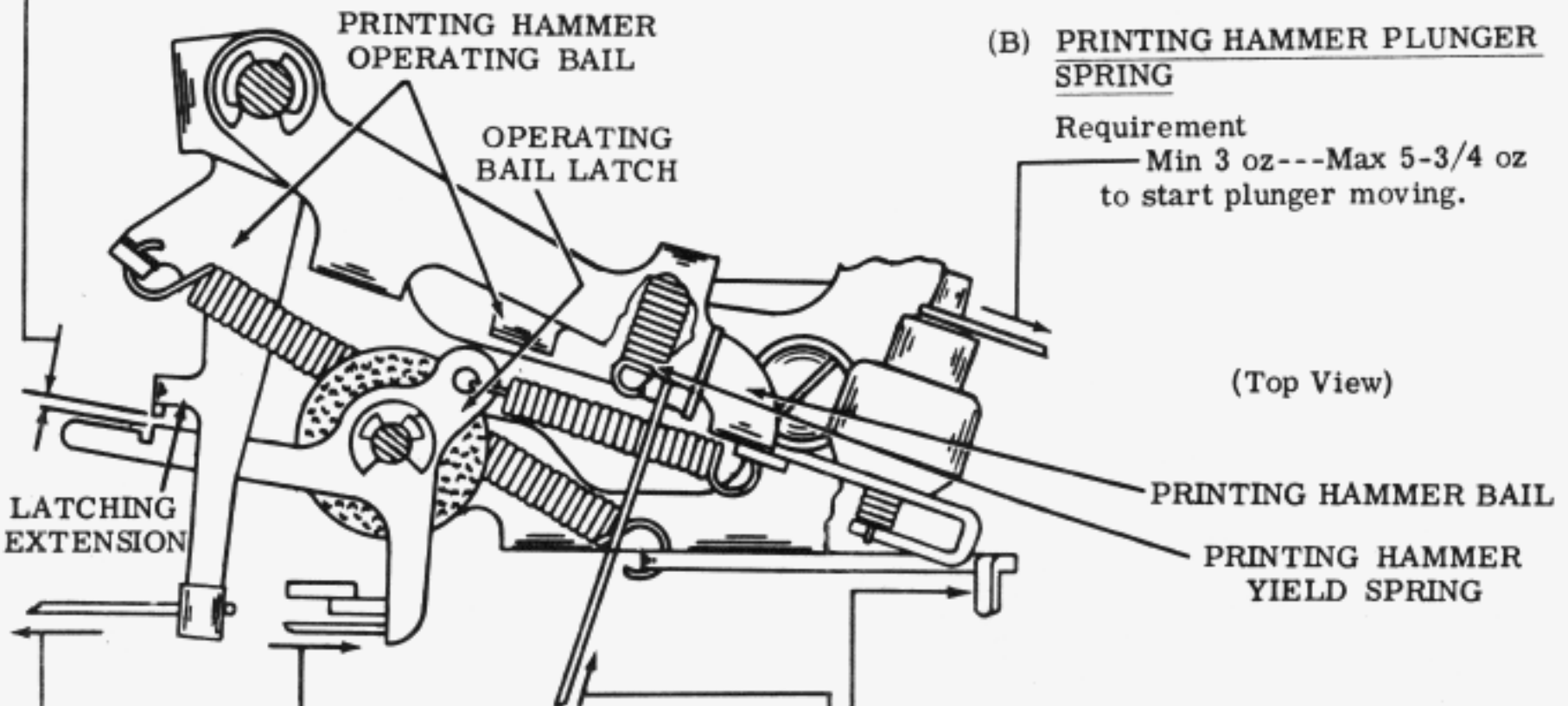
Requirement

Printing track in its extreme downward position. Extreme right hand character selected. Printing hammer operating bail latching extension held with left face in line with the latch shoulder. Printing arm slide positioned alternately over each track mounting screw. Printing bail reset each time. Clearance between latching extension and operating bail latch should be

Min 0.015 inch---Max 0.040 inch

To Adjust

Position the printing track up or down with its mounting screws loosened. Hold clearance to maximum.



(B) PRINTING HAMMER PLUNGER SPRING

Requirement

Min 3 oz---Max 5-3/4 oz to start plunger moving.

(Top View)

(E) PRINTING HAMMER OPERATING BAIL LATCH SPRING (Not as Illustrated)

Requirement

Printing track in its extreme upward position

Min 3 oz---Max 4-1/2 oz to start latch moving.

(C) PRINTING HAMMER OPERATING BAIL SPRING

Requirement

Use notch no. 1 for printing one to three copies, no. 2 for four or five copies, and no. 3 for six or more copies.

To Adjust

Position spring adjusting bracket in required notch.

(F) PRINTING HAMMER OPERATING BAIL SPRING (Not as Illustrated)

Requirement

Operating bail latched. Spring adjusting bracket in left hand (no. 1) notch. Hammer yield spring unhooked

Min 10 oz---Max 13 oz to start bail moving.

(D) PRINTING HAMMER YIELD SPRING

Requirement

Printing hammer operating bail against its stop

Min 1 oz---Max 2-1/2 oz to start hammer bail moving (horizontal position).

2.54 Printing Mechanism (continued)

PRINTING HAMMER STOP BRACKET

Requirement

With print hammer in upper left typebox position and printing bail in its maximum downward position, there should be

Min 0.005 inch---Max 0.050 inch clearance between print hammer and type pallet at any point along length of platen.

Note: Refine this adjustment to 0.005 to 0.015 inch on sprocket feed printer, if necessary to improve copy legibility on multiple forms.

To Adjust

Position stop bracket by means of its two mounting screws.

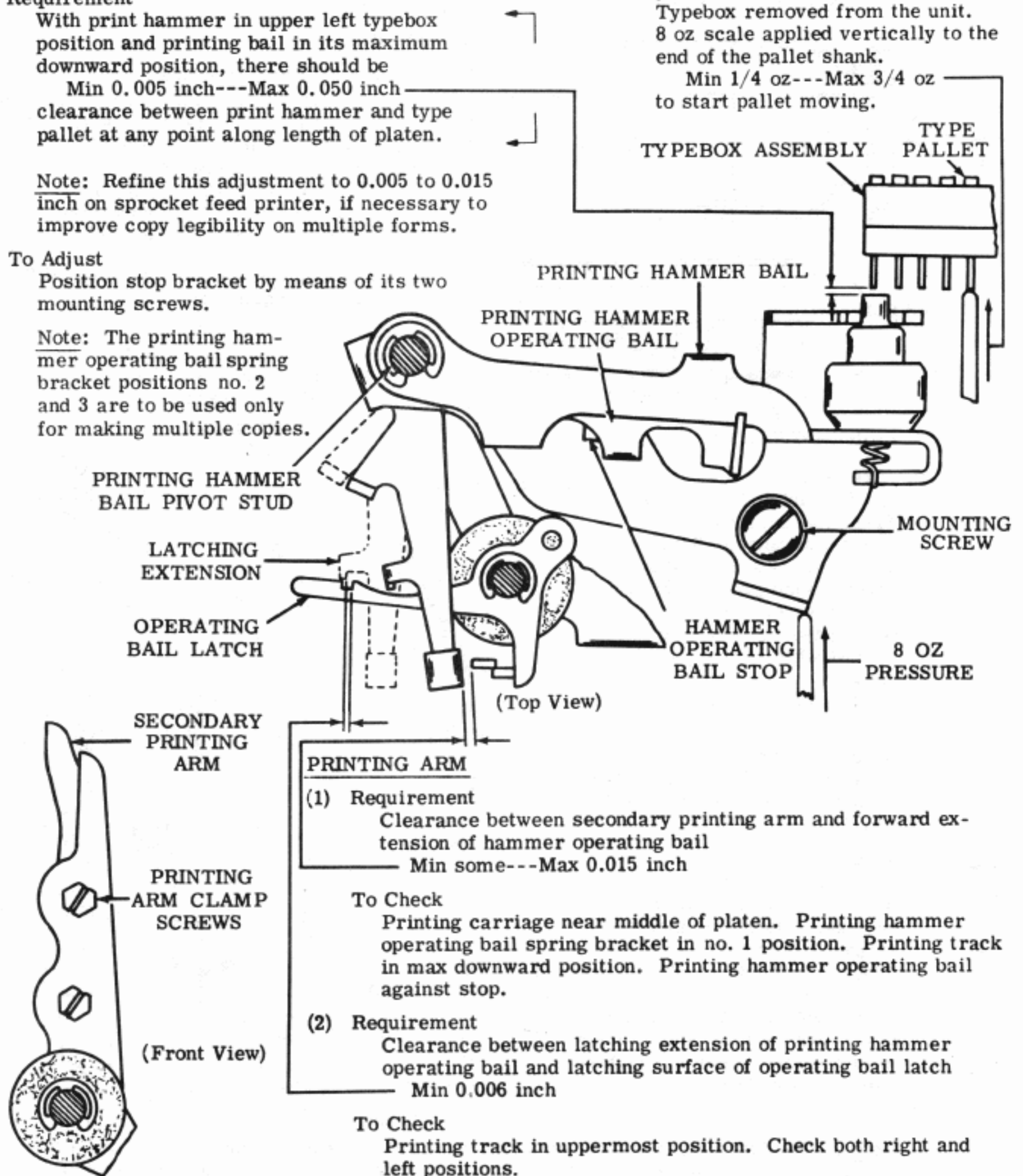
Note: The printing hammer operating bail spring bracket positions no. 2 and 3 are to be used only for making multiple copies.

TYPE PALLET SPRING

Requirement

Typebox removed from the unit. 8 oz scale applied vertically to the end of the pallet shank.

Min 1/4 oz---Max 3/4 oz to start pallet moving.



PRINTING ARM

(1) **Requirement**

Clearance between secondary printing arm and forward extension of hammer operating bail

Min some---Max 0.015 inch

To Check

Printing carriage near middle of platen. Printing hammer operating bail spring bracket in no. 1 position. Printing track in max downward position. Printing hammer operating bail against stop.

(2) **Requirement**

Clearance between latching extension of printing hammer operating bail and latching surface of operating bail latch

Min 0.006 inch

To Check

Printing track in uppermost position. Check both right and left positions.

To Adjust

Position secondary printing arm with clamp screws loosened.

2.55 Spacing Mechanism (continued)

Note 1: Check related adjustments (2.44, 2.48, and 2.56), if the following adjustments are remade.

Note 2: For sprocket feed units see 2.76 thru 2.82.

LEFT MARGIN

(1) Requirement (72 Character Line)

Typebox clutch disengaged. Spacing drum in returned position. Clearance between left edge of platen and print indicator located in front of printing hammer stop bracket

Min 15/16 inch---Max 1-1/16 inch

(In Bell System Switched-Network Services

Min 9/16 inch---Max 11/16 inch)

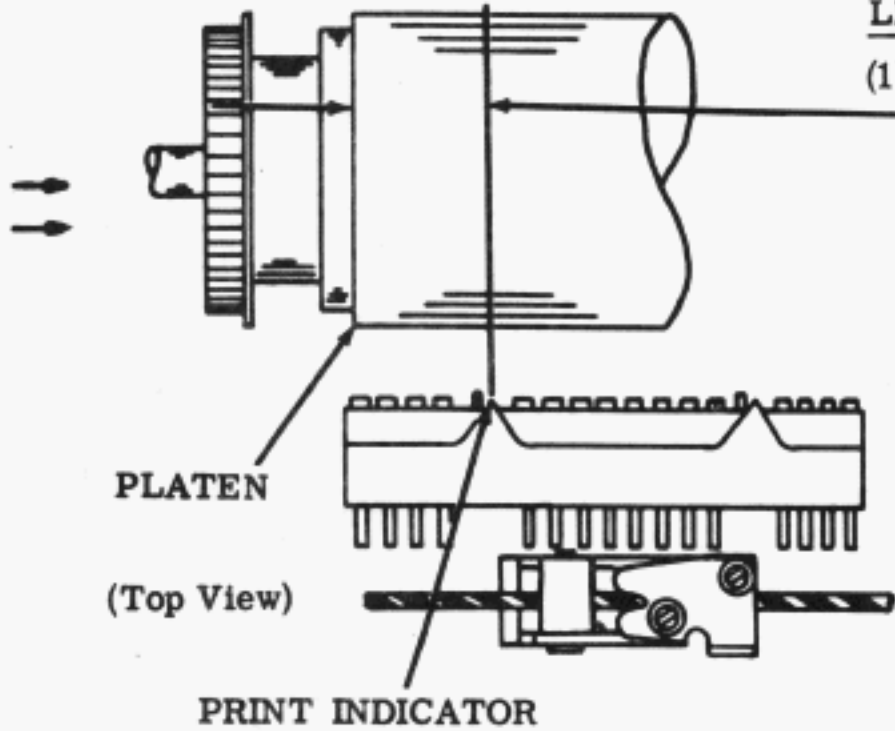
AUTOMATIC CR-LF BELLCRANK SPRING

(For Units So Equipped)

Requirement

Function clutch disengaged.

Min 2-1/2 oz---Max 7 oz to move the bellcrank.



(2) Requirement

Spacing clutch disengaged. Front spacing feed pawl farthest advanced. Spacing drum fully returned. Play in spacing shaft gear (2.29) taken up clockwise. Clearance between pawl and shoulder of ratchet wheel tooth immediately ahead

Min some---Max 0.008 inch

(3) Requirement

Rear pawl, when farthest advanced, should rest at bottom of indentation between ratchet wheel teeth.

To Adjust

Return print carriage to its left position. Loosen four indicated carriage return ring mounting screws. Hold carriage return ring in its counterclockwise position. Locate typebox so that print indicator which is in front of printing hammer stop bracket is in required position. Tighten four mounting screws.

FEED PAWLS

AUTOMATIC CR-LF BELLCRANK

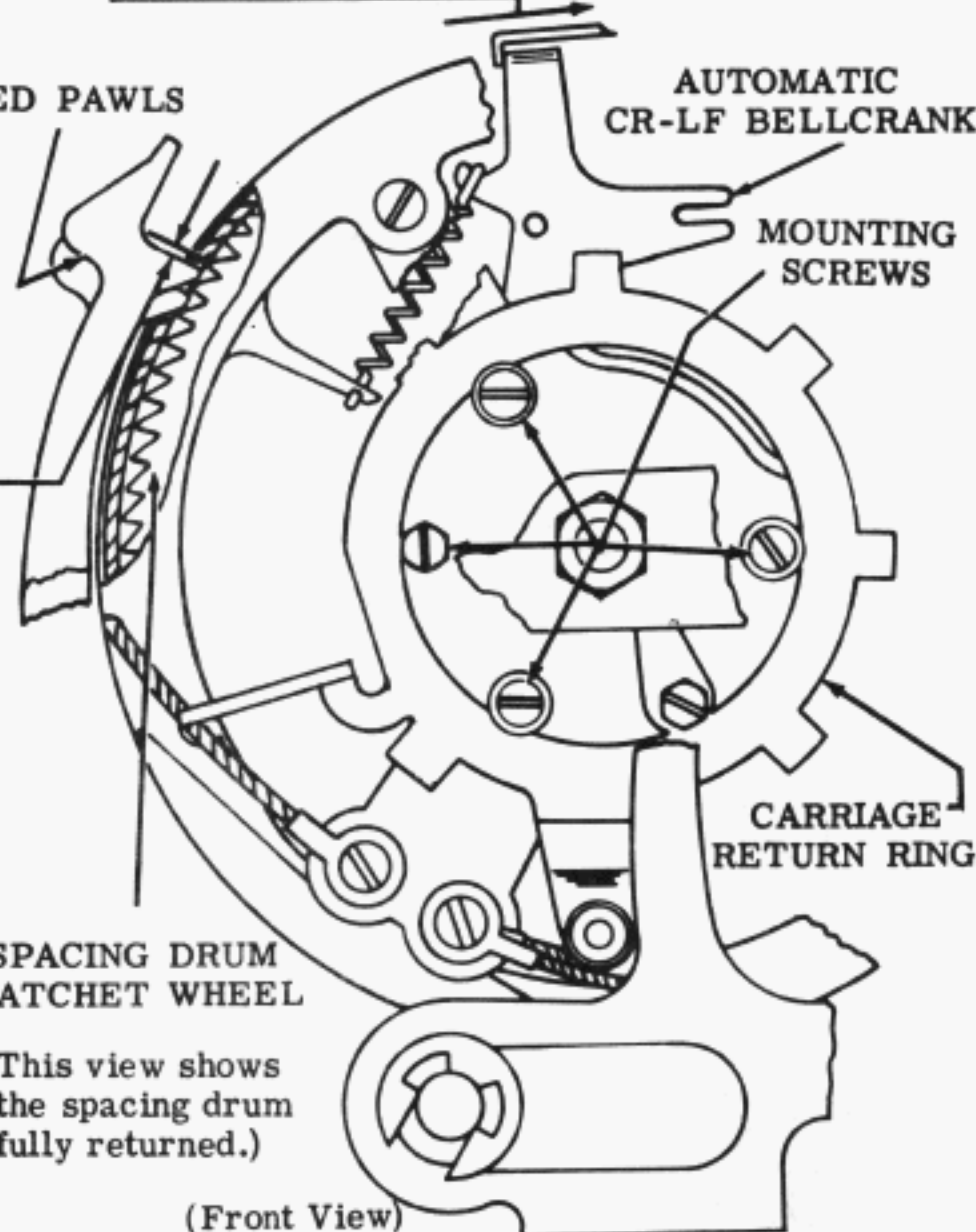
MOUNTING SCREWS

CARRIAGE RETURN RING

SPACING DRUM RATCHET WHEEL

(This view shows the spacing drum fully returned.)

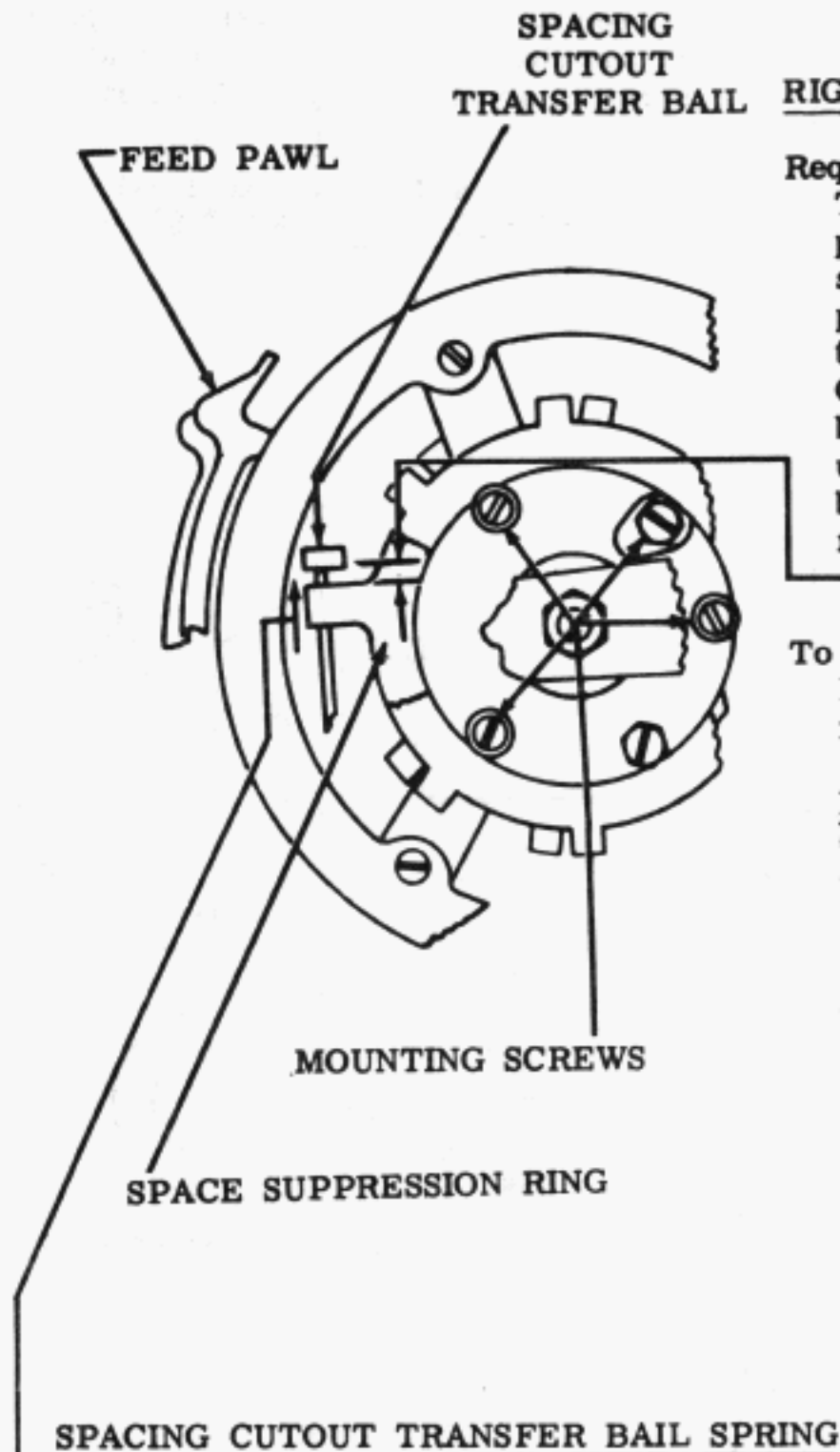
(Front View)



Note 3: The left margin may be varied as required. Maximum range of adjustment for mechanisms with standard 10 characters per inch spacing is: friction feed platen 85 characters and sprocket feed platen 74 characters.

2.56 Spacing Mechanism (continued)

Note 1: Check related adjustments (2.36, 2.55, and 2.48), if the following adjustments are remade.

RIGHT MARGIN**Requirement**

Typebox clutch disengaged. Carriage in position to print character on which spacing cutout is to occur. Front feed pawl farthest advanced. Spacing cutout transfer bail held in its uppermost position. On units having two piece spacing cutout bail, push the cutout bail towards rear of unit through hole in front plate. Clearance between extension on space suppression ring and transfer bail
Min 0.006 inch---Max 0.025 inch

To Adjust

Position space suppression ring with four indicated mounting screws loosened.

Note 2: Range of adjustment is from 0 to 85 characters on units with ring-type cutout arm. (Printers used in Bell System switched network services should be adjusted to 72 characters.)

Note 3: On units equipped with automatic carriage return-line feed ring, this adjustment is not applicable.

SPACING CUTOUT TRANSFER BAIL SPRING**Requirement**

Min 1 oz---Max 3-1/2 oz
to start bail moving.

SPACE SUPPRESSION BYPASS SPRING (On Unit Equipped With Separate Cutout Lever and Spring)**Requirement**

With typing unit upside down, hook a scale on the spacing cutout lever extension pawl next to the spring and pull towards the rear of the unit.

Min 20 oz---Max 26 oz
to start the pawl moving.

2.57 Printing Mechanism (continued)

TYPEBOX ALIGNMENT

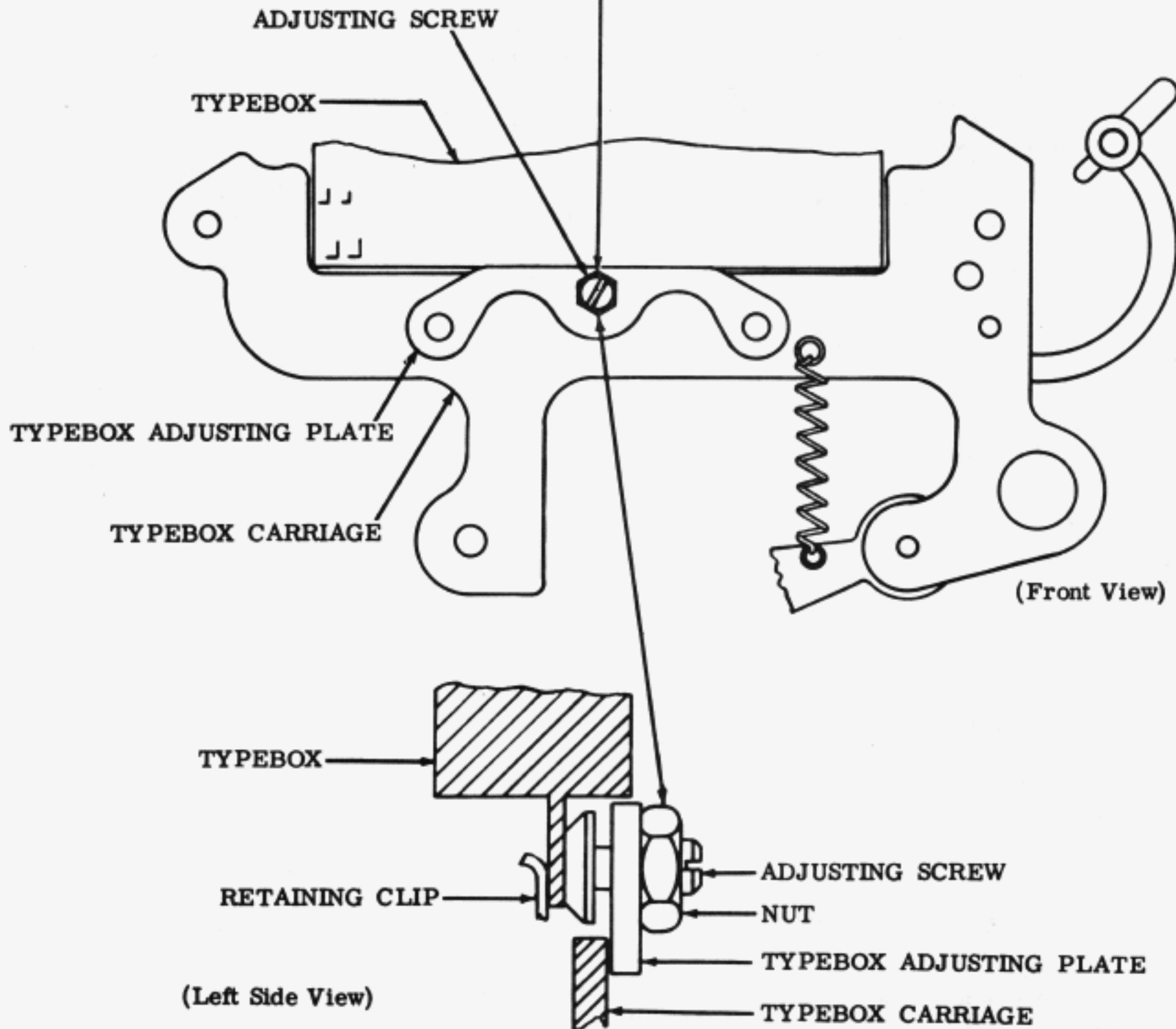
Requirement

Printed impression of characters at top and at bottom should be equal (gauge visually).

To Adjust

Loosen nut. Operate printer under power. Repeat characters E and Z. Turn adjusting screw in or out (in steps of 1/4 turn) to meet requirement. Tighten nut.

Note: Check and refine PRINTING HAMMER STOP BRACKET (2.54) if necessary.



2.58 Printing Mechanism (continued)

(A) RIBBON REVERSE SPUR GEAR

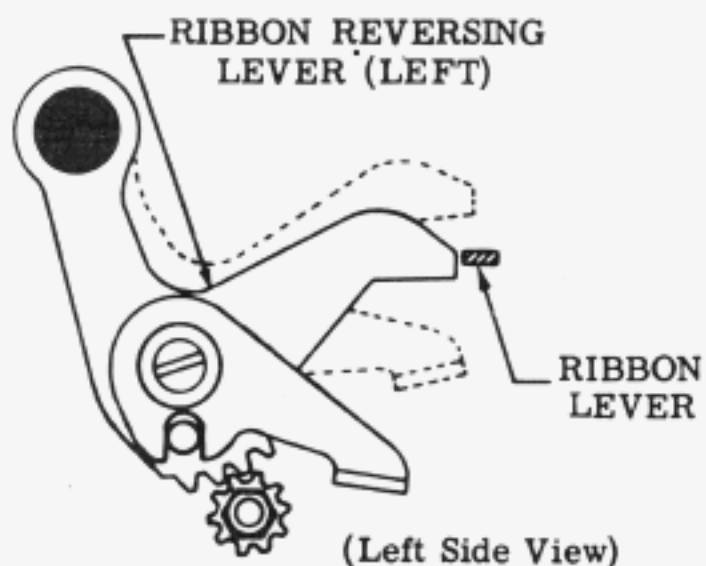
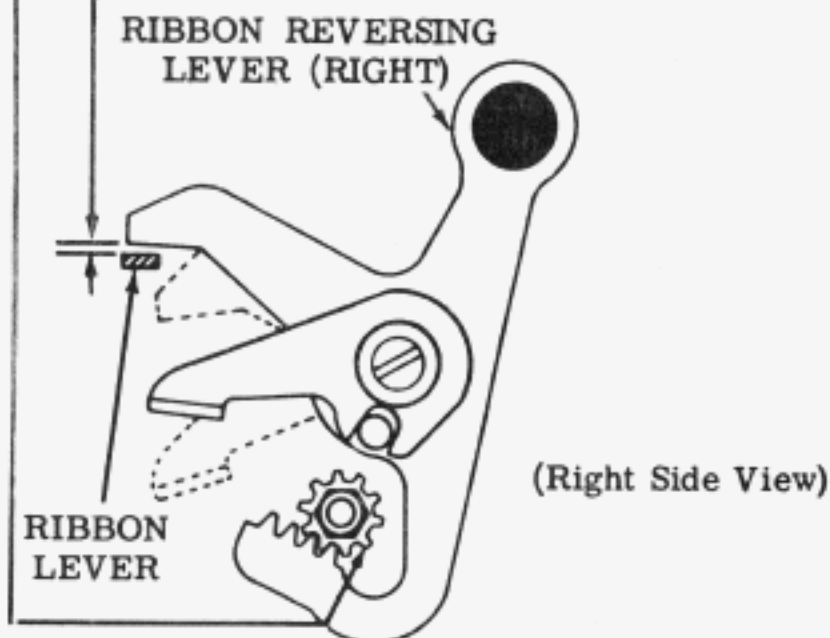
Requirement

When right reversing lever is in max downward position, the left reversing lever should be in its max upward position.

To Adjust

Loosen the setscrews in the detent cam. Loosen the left spur gear nut. Securely tighten the right spur gear nut. Move the right reversing lever to its max upward position and hold the left reversing lever in its max downward position. Then tighten the left spur gear nut.

Note: Rotate typebox clutch 1/2 turn. Right reversing lever upward. Move right ribbon lever under right ribbon reversing lever. There should be some clearance between levers. Check left side same way. Refine adjustment if necessary.



(B) RIBBON REVERSE DETENT

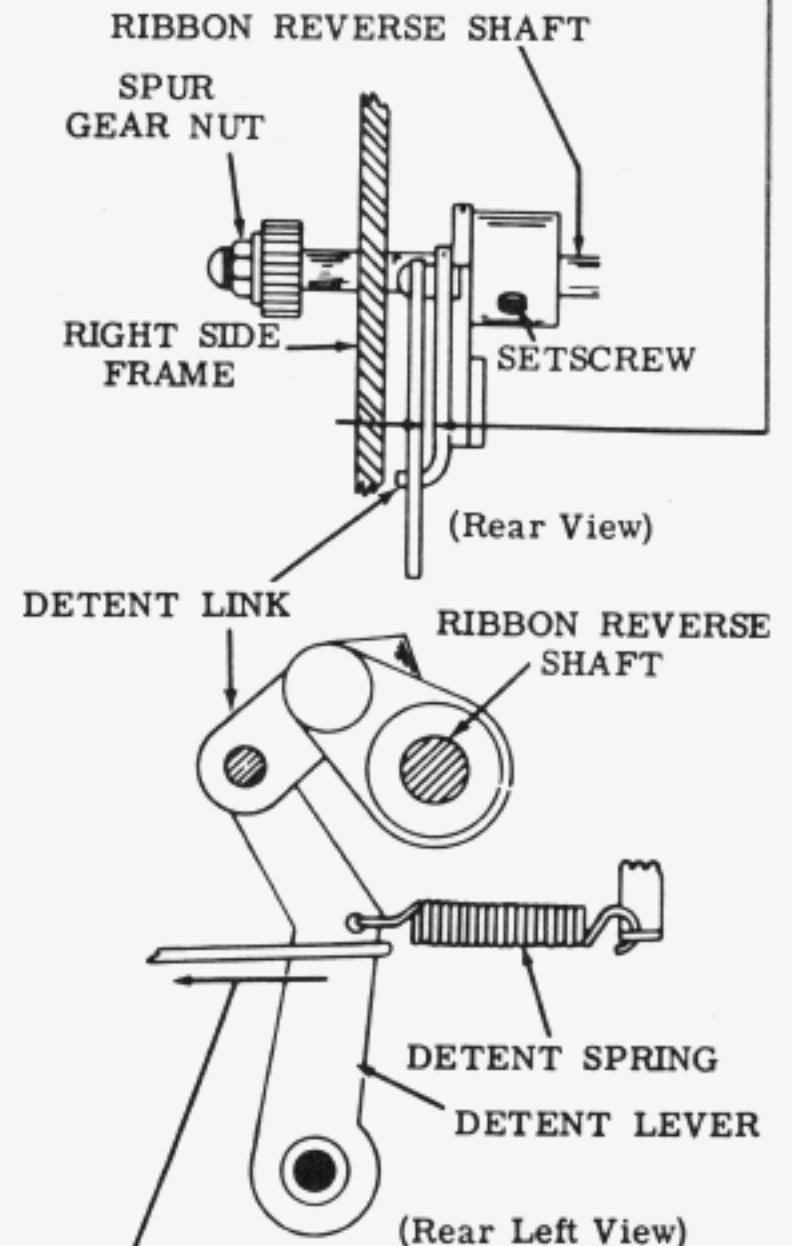
Requirement

Ribbon reverse detent link buckled in its downward position, clearance between detent link and detent lever

Min some---Max 0.055 inch when play in the lever is taken up lightly toward the right side of the printer.

To Adjust

Hold left ribbon reversing lever in its downward position, position detent link, and tighten the upper setscrew in the hub of the detent link. Buckle the detent link upward and tighten lower setscrew.



(C) RIBBON REVERSE DETENT LEVER SPRING

Requirement

Detent link buckled in upward position
Min 10 oz---Max 18 oz
to start detent lever moving toward rear.

2.59 Printing Mechanism (continued)

RIBBON FEED LEVER BRACKET

(1) Requirement (Left-Hand Mechanism)

Left reversing lever in upward position. Ribbon mechanism in upper position. Ratchet wheel held against the detent lever. Clearance between the front face of the feed lever and the shoulder of a tooth on the ratchet wheel

Min 0.015 inch---Max 0.035 inch

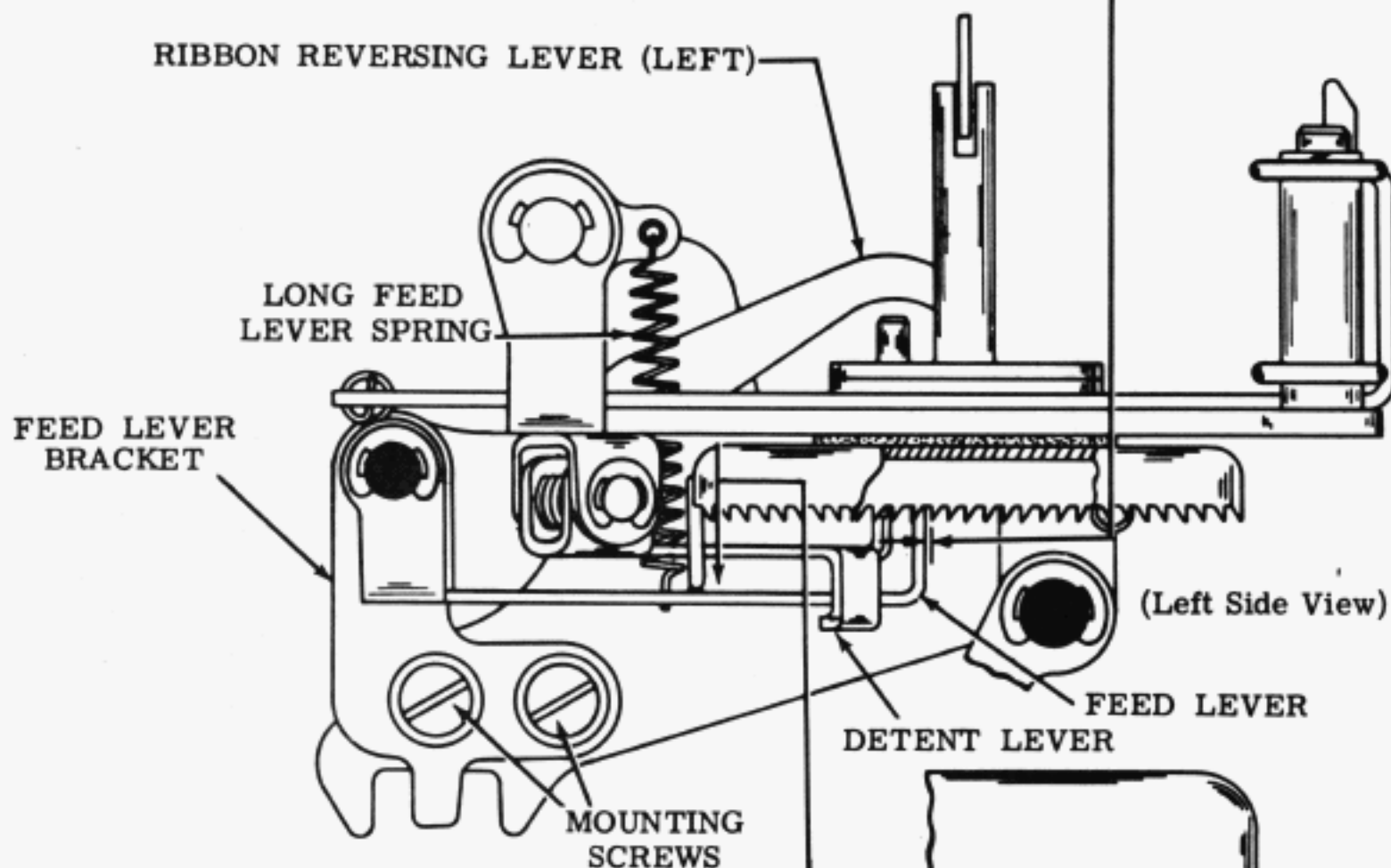
(2) Requirement (Right-Hand Mechanism)

Right reversing lever and ribbon mechanism in upward position. Adjust feed lever bracket in the same manner.

Note 1: Rotate the main shaft. The ratchet wheel should step one tooth only with each operation.

To Adjust

Position the feed lever bracket with its mounting screws loosened.



RIBBON FEED LEVER SPRING

Requirement

Ribbon feed levers in uppermost position. For Long Lever: Push downward near its spring.

For Short Lever: Push downward at point near long lever spring.

Min 3/4 oz---Max 2 oz

to start feed levers moving. Measure all four levers.

Note 2: If minimum requirement of short lever is not met, pull lower end of torsion spring to rear.

RIBBON RATCHET WHEEL FRICTION SPRING

Requirement

Feed levers disengaged.

Min 3 oz---Max 8-1/2 oz

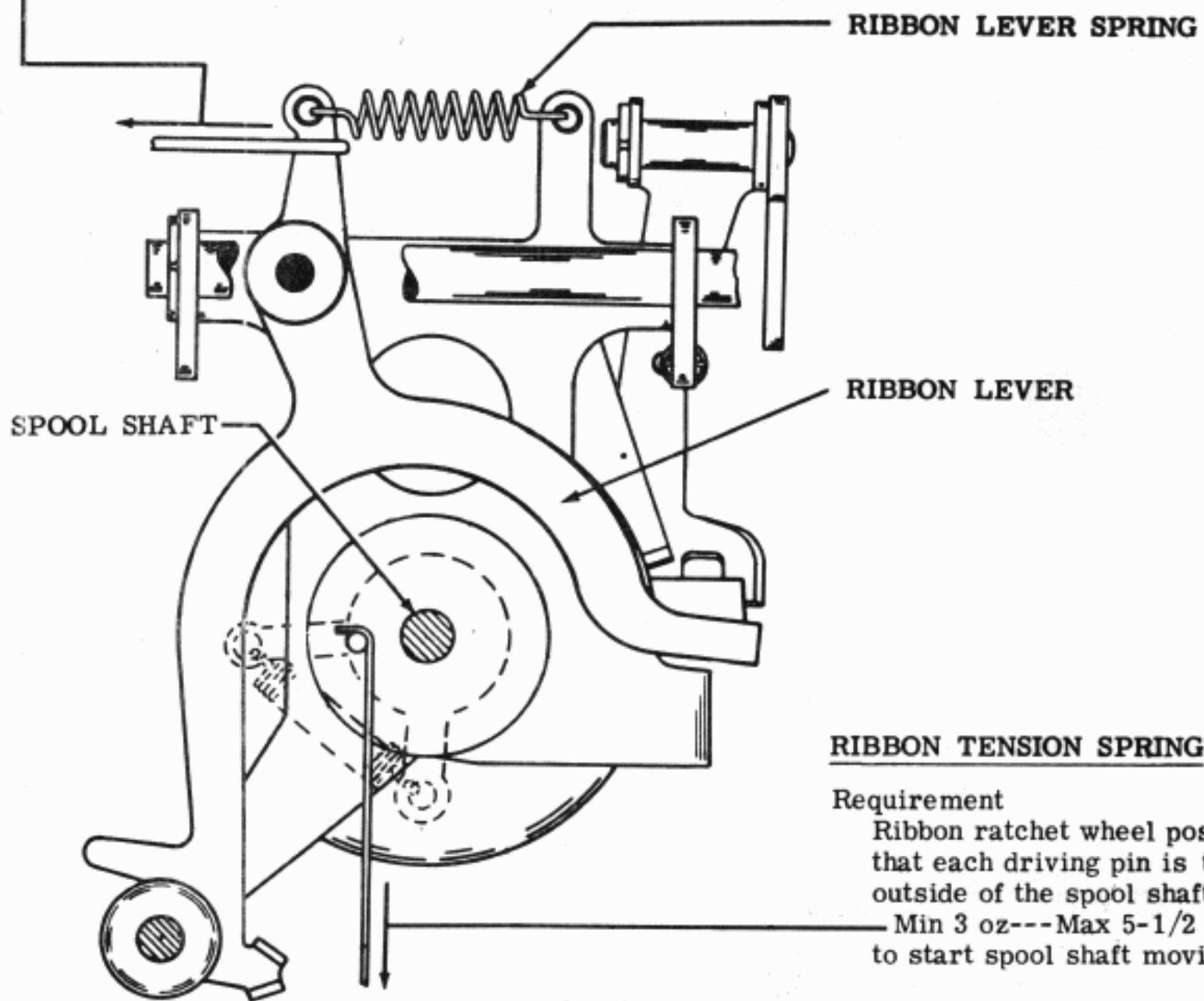
to start the ratchet wheel moving.

2.60 Printing Mechanism (continued)

RIBBON LEVER SPRING

Requirement

Min 1-1/2 oz---Max 3 oz
to start the lever moving. Check both
right and left springs.



RIBBON TENSION SPRING

Requirement

Ribbon ratchet wheel positioned so
that each driving pin is toward the
outside of the spool shaft.

Min 3 oz---Max 5-1/2 oz
to start spool shaft moving.

(Top View)

2.61 Line Feed and Platen Mechanism (continued)

(B) PLATEN DETENT BAIL SPRING

Requirement

Detent seated between two teeth on line feed spur gear.

Min 16 oz---Max 32 oz to start detent bail moving.

(C) LINE FEED BAR RELEASE LEVER SPRING

Requirement

Min 3 oz---Max 8 oz to start lever moving.

HANDWHEEL

LINE FEED BAR RELEASE LEVER

(A) LINE FEED SPUR GEAR DETENT ECCENTRIC

Requirement

Line feed clutch disengaged. Platen rotated until detent stud is seated between two teeth on line feed spur gear. When hand wheel is released, manually set the teeth on the line feed bars into engagement with the teeth on the line feed spur gear. The detent stud should contact one gear tooth and be not more than 0.010 inch from other tooth.

To Adjust

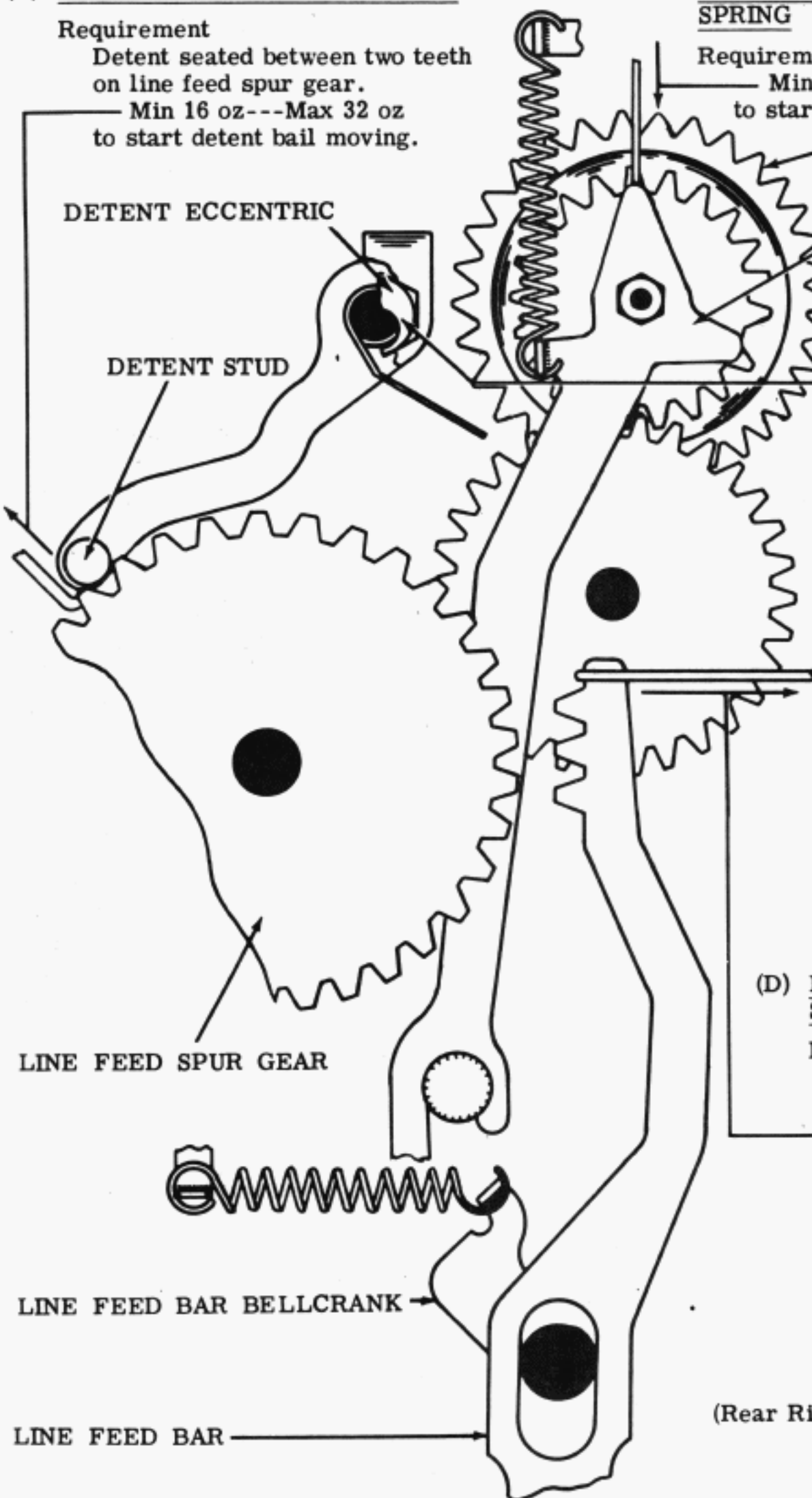
Rotate the detent eccentric with its mounting screw loosened. Keep high part of eccentric upward.

(D) LINE FEED BAR BELLCRANK SPRING (FRICTION FEED)

Requirement

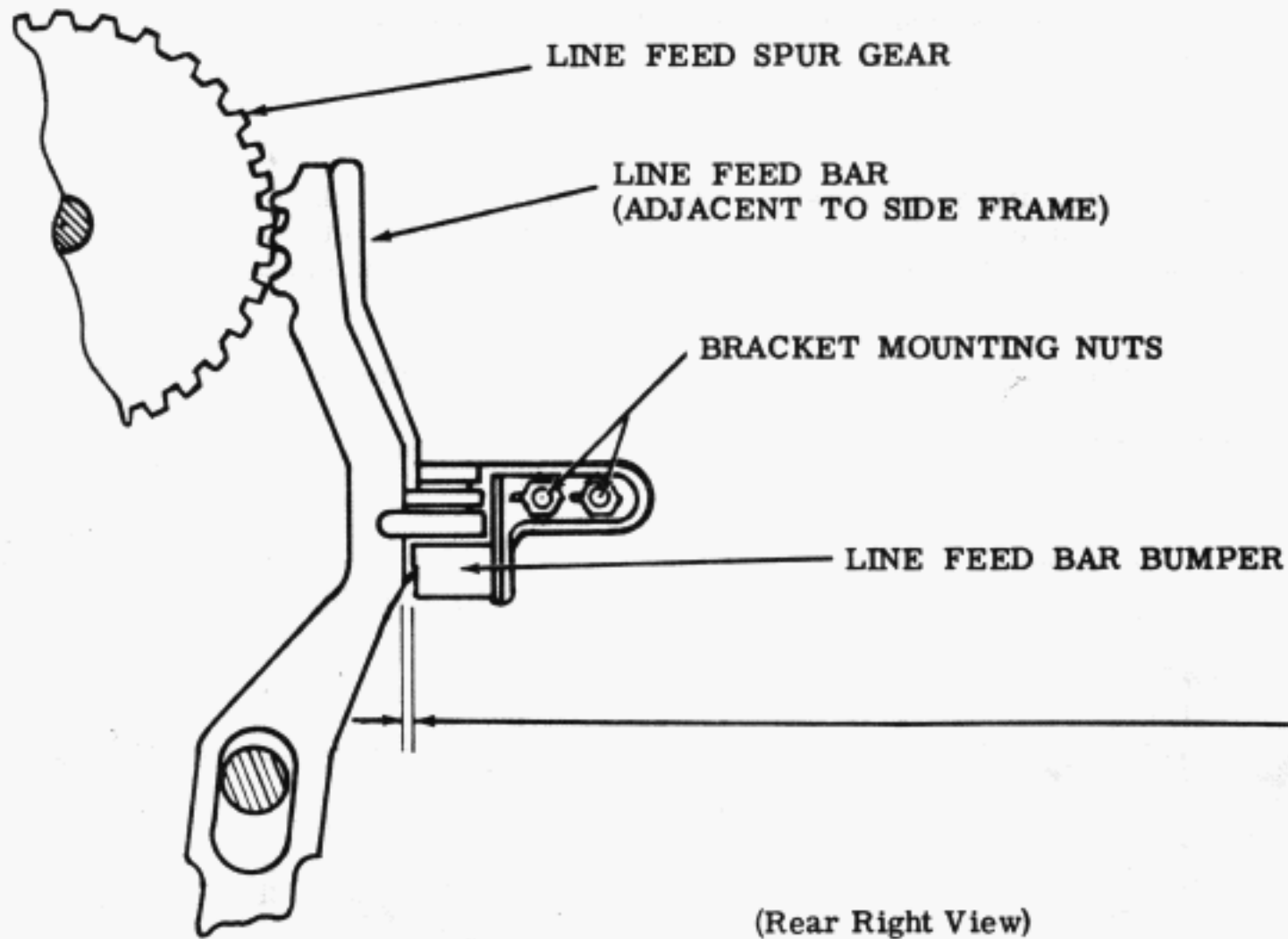
Left-hand line feed bar in rear position

Min 19 oz---Max 24 oz to start bar moving.



(Rear Right View)

2.62 Line Feed and Platen Mechanism (continued)

LINE FEED BAR BUMPER (SIX STOP CLUTCH ONLY)**Requirement**

With the line feed clutch tripped manually, rotate the main shaft until the line feed bar adjacent to side frame is at its maximum travel away from the line feed spur.

Min 0.065 inch---Max 0.080 inch _____
clearance between the other line feed bar and the line feed bar bumper.

To Adjust

Loosen the two bracket mounting nuts and position the bracket thru its elongated slots until proper clearance is obtained. Then tighten the two mounting nuts.

Note: Recheck vertical tab or form-out adjustment (variable features).

2.63 Function Mechanism (continued)

STRIPPER BLADE DRIVE CAM POSITION**Requirement**

Stripper blade drive cam should move each stripper blade cam arm on equal distance above and below center line of its pivot (gauge by eye).

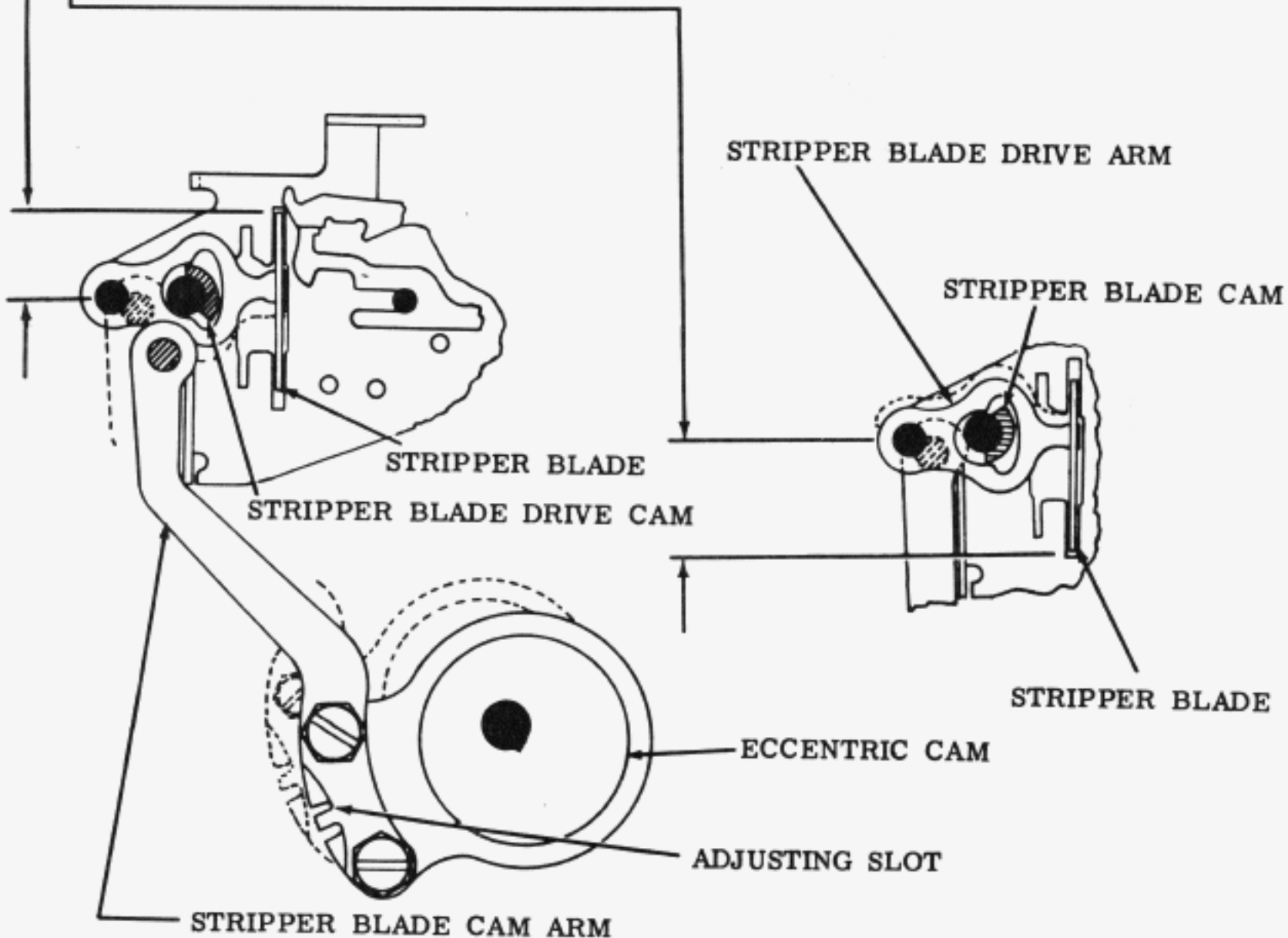
- (a) Upward direction
- (b) Downward direction

To Check

With function clutch disengaged observe engagement of stripper blade drive cam (upper peak) with stripper blade cam arm. Then rotate clutch to turn cam to its extreme downward position and observe engagement of lower cam peak.

To Adjust

With stripper blade drive arm mounting screws loosened. Equalize the overtravel of each cam peak.



(Rear View)

2.64 Function Mechanism (continued)

(A) FUNCTION LEVER SPRING

Note: If a function lever operates a contact or a slide, hold off the contact or slide when checking the spring.

Requirement

Function lever in unoperated position. Suppression bail held forward.

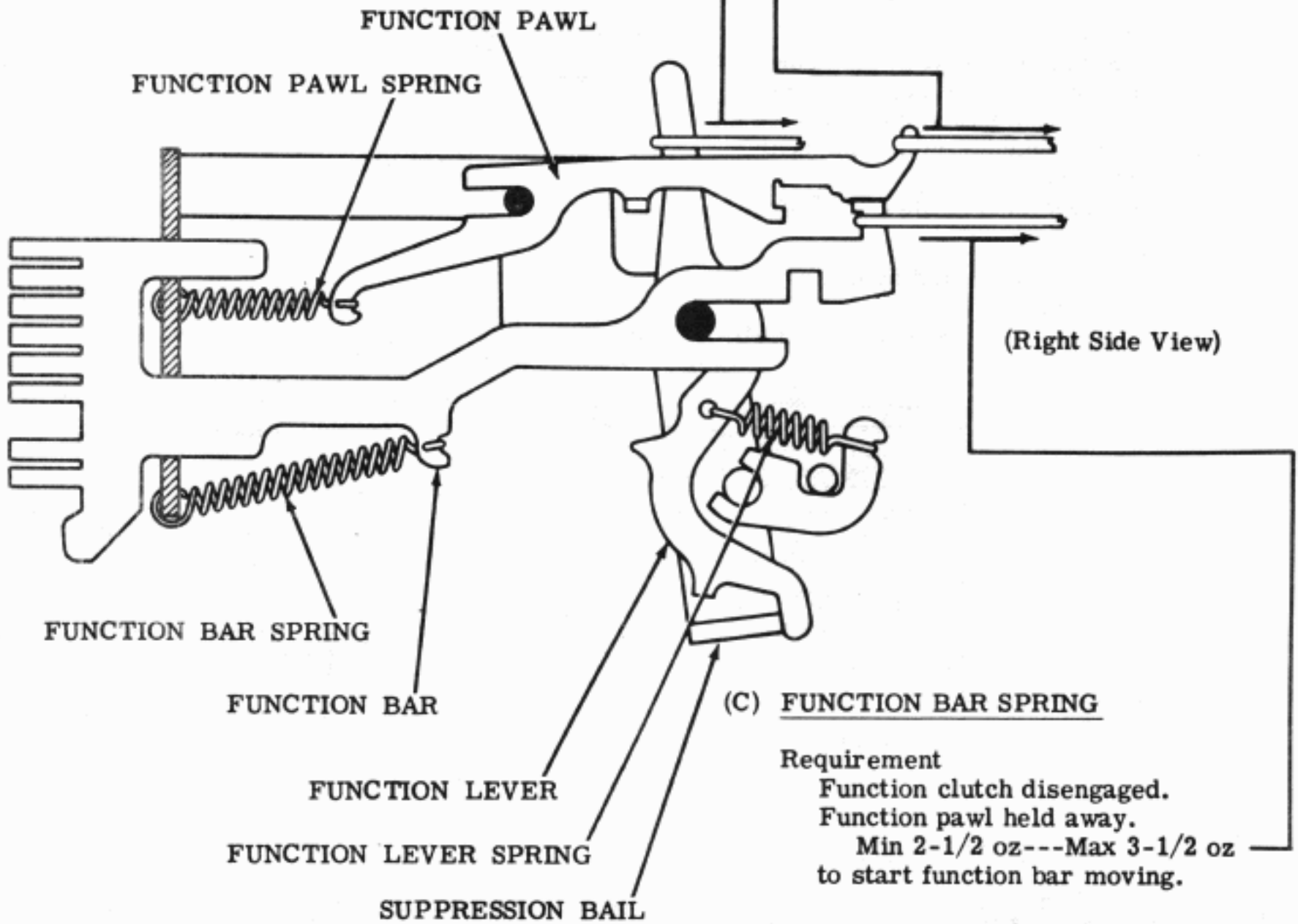
Min 1-1/2 oz---Max 2-3/4 oz
to start function lever moving. Check each spring.

(B) FUNCTION PAWL SPRING

Requirement

Rear end of function pawl resting on function bar

Min 3 oz---Max 5 oz
to start pawl moving. Check each spring.



(C) FUNCTION BAR SPRING

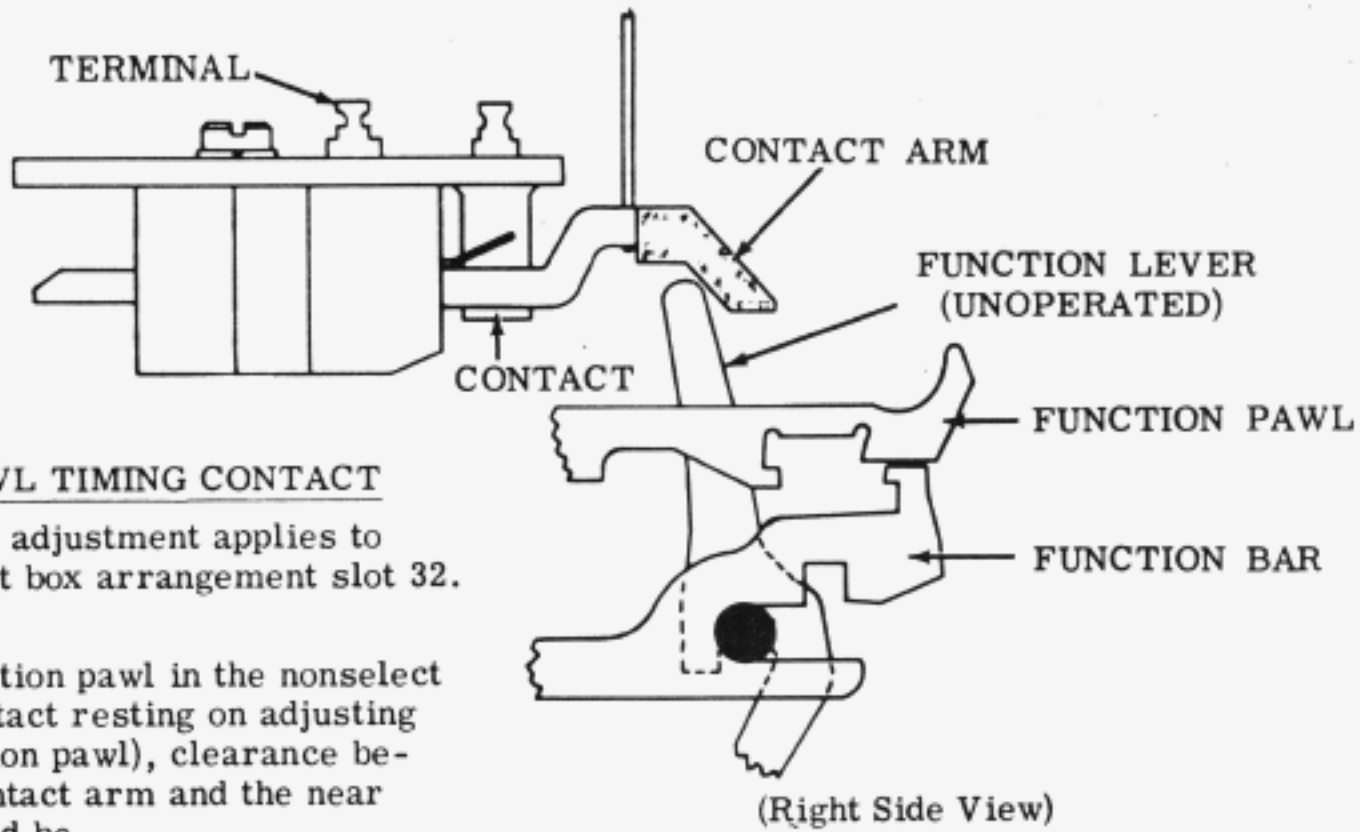
Requirement

Function clutch disengaged. Function pawl held away.

Min 2-1/2 oz---Max 3-1/2 oz
to start function bar moving.

CAUTION: SEVERE WEAR TO THE POINT OF OPERATION FAILURE WILL RESULT IF THE TELETYPEWRITER IS OPERATED WITHOUT EACH FUNCTION PAWL HAVING EITHER A RELATED FUNCTION BAR OR, WHERE A FUNCTION BAR IS MISSING, A RELATED FUNCTION PAWL CLIP TO HOLD THE FUNCTION PAWL AWAY FROM THE STRIPPER BLADE.

2.65 Function Mechanism (continued)



FUNCTION PAWL TIMING CONTACT

Note 1: This adjustment applies to the ATX stunt box arrangement slot 32.

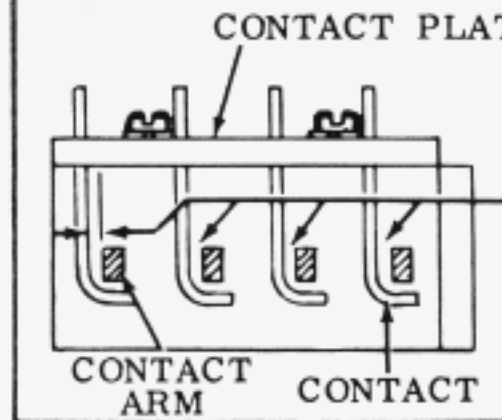
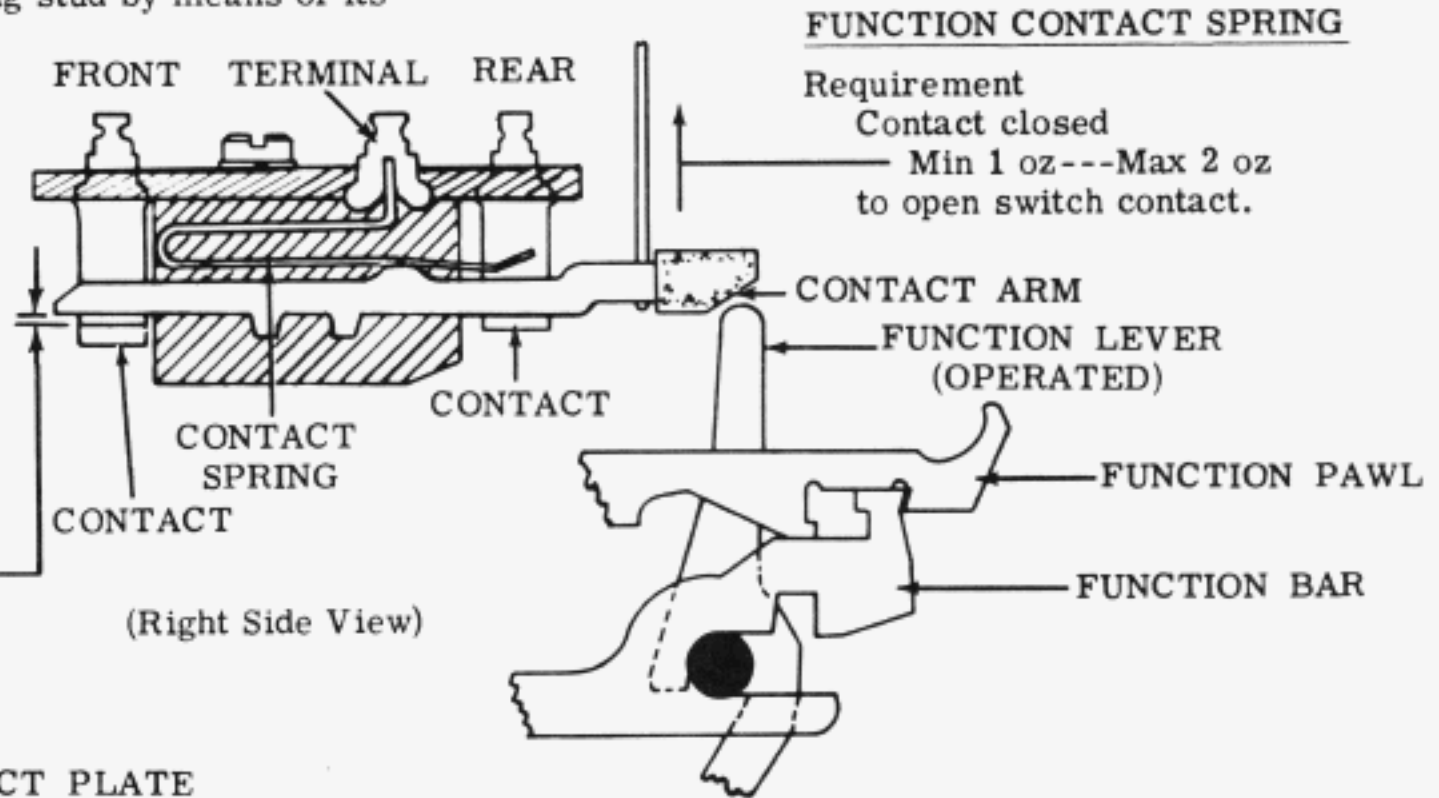
Requirement

With the function pawl in the nonselect position (contact resting on adjusting stud of function pawl), clearance between the contact arm and the rear contact should be

Min 0.005 inch---Max 0.015 inch

To Adjust

Position adjusting stud by means of its mounting screw.



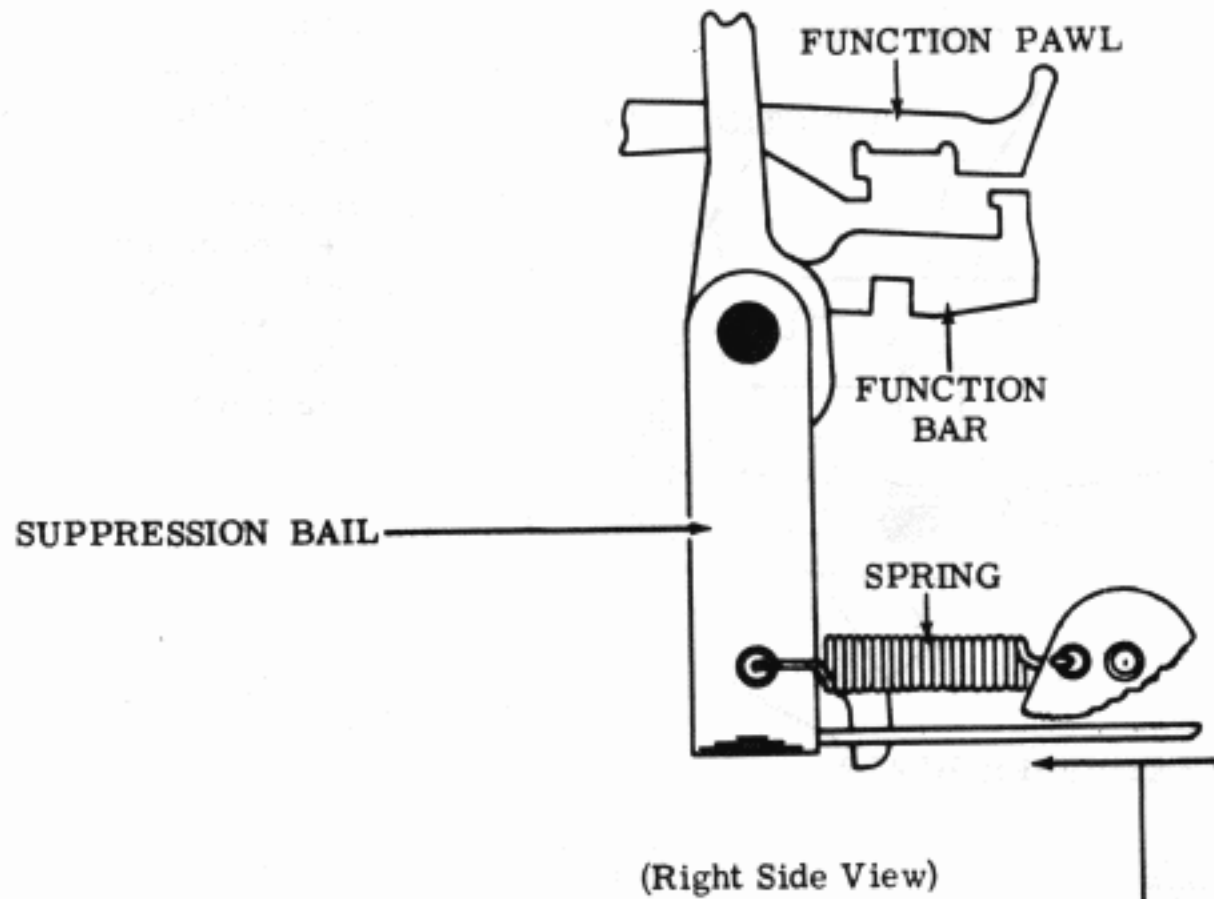
(Rear View)

Note 2: If the switches are removed from the stunt box, the following requirements apply.

Provide at least 0.006 inch clearance between the contact arm and the vertical portion of the contact clip. If the switch has contacts front and rear, this clearance applies to both front and rear. To obtain this clearance, position the contact plate before tightening the contact plate screws.

On switches with contacts front and rear, check to see that there is a gap of not less than 0.008 inch between the formed-over end of the front contact clip and the bottom of the contact arm when the rear contact is closed.

2.66 Spacing Mechanism (continued)

SPACING SUPPRESSION BAIL SPRING**Requirement**

Spacing suppression bail in rear position. Scale applied near center of horizontal portion of bail.

Min 1/2 oz---Max 1-1/2 oz
to start bail moving.

2.67 Line Feed and Platen Mechanism (continued)

SINGLE-DOUBLE LINE FEED STRIPPER BAIL ASSEMBLY SPRINGS

(1) Requirement

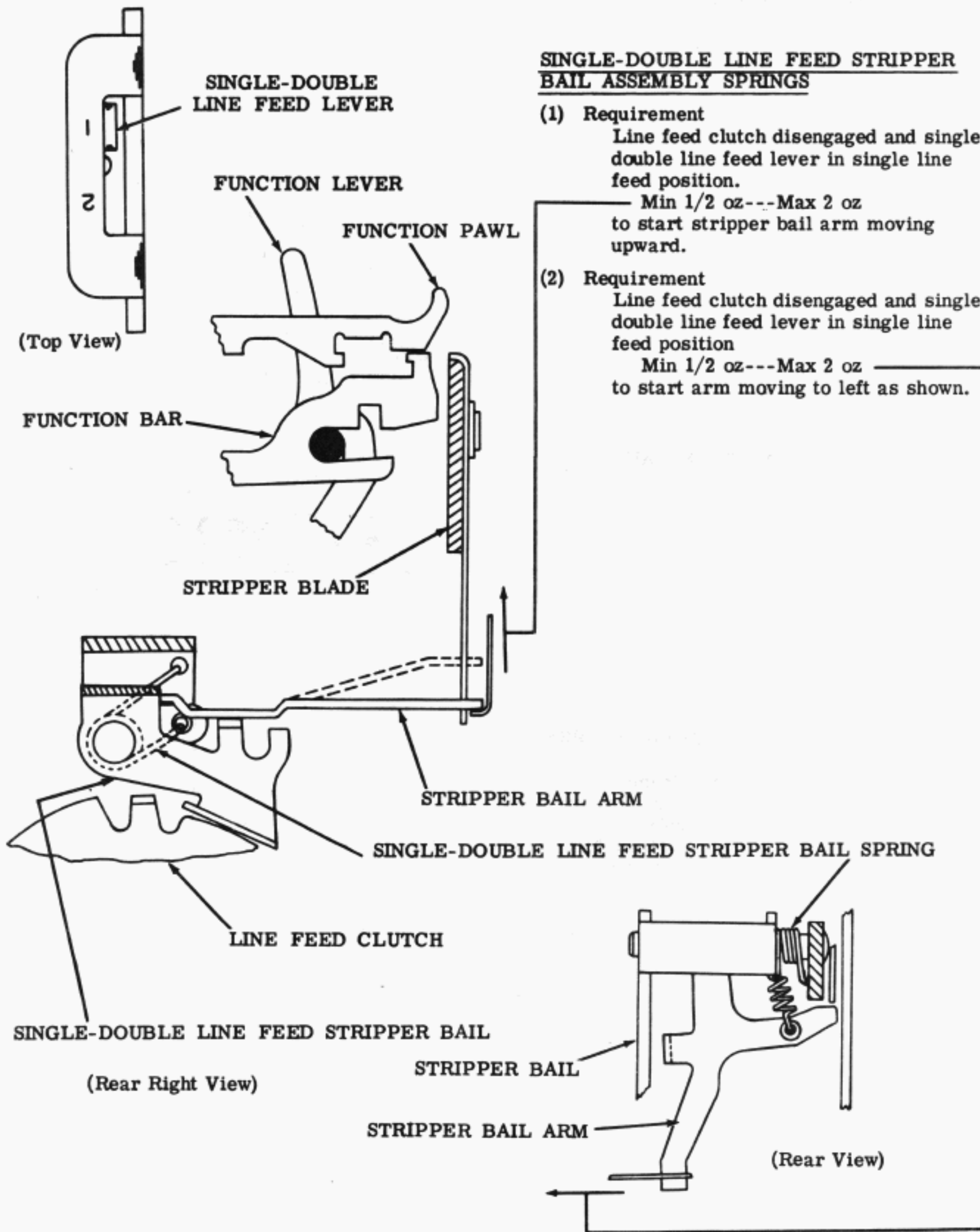
Line feed clutch disengaged and single-double line feed lever in single line feed position.

Min 1/2 oz---Max 2 oz
to start stripper bail arm moving upward.

(2) Requirement

Line feed clutch disengaged and single-double line feed lever in single line feed position

Min 1/2 oz---Max 2 oz
to start arm moving to left as shown.



2.68 Line Feed and Platen Mechanism (continued)

RIGHT MARGIN WITH AUTOMATIC
CARRIAGE RETURN-LINE FEED RING

Requirement (On Units So Equipped)

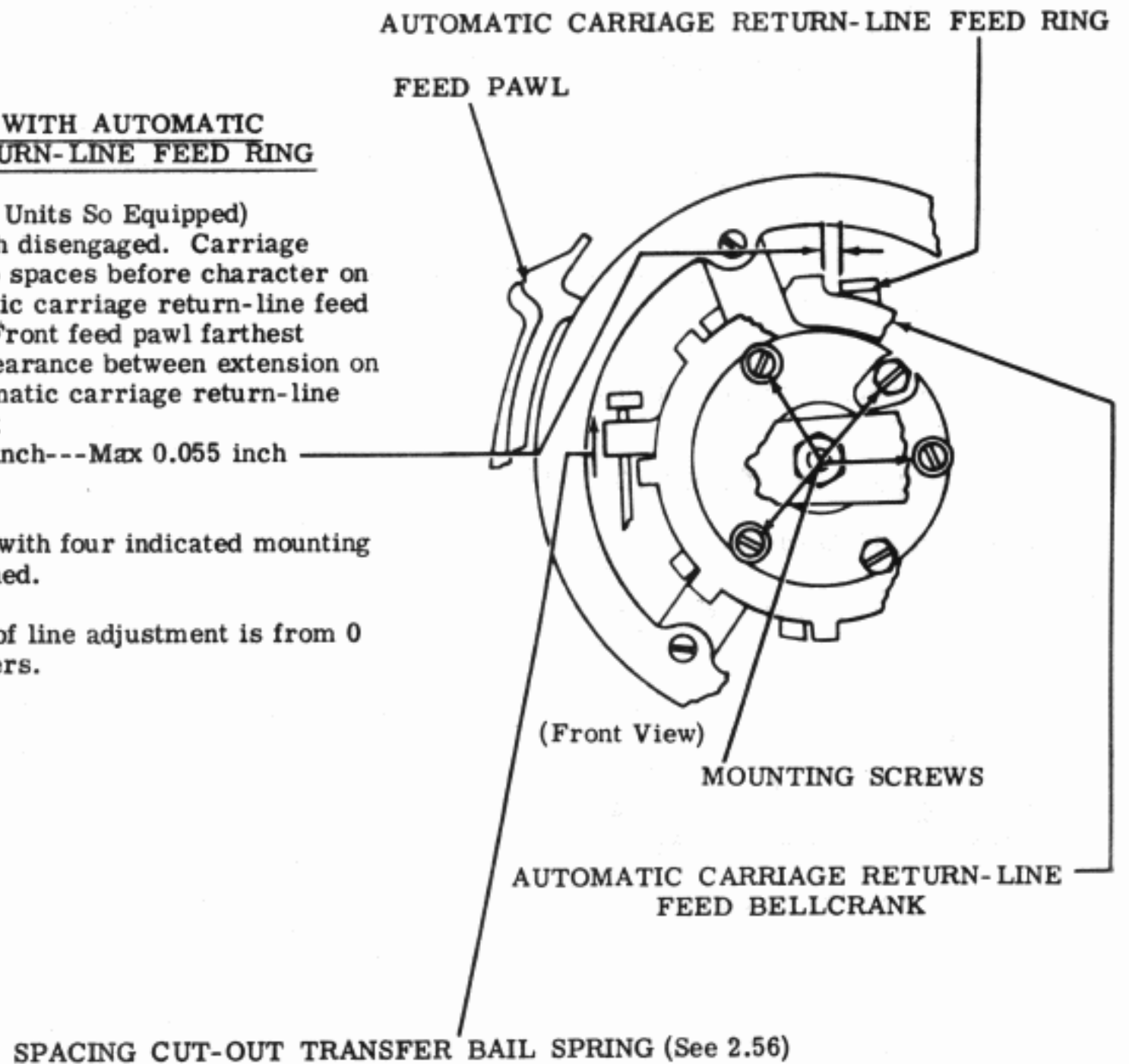
Typebox clutch disengaged. Carriage positioned two spaces before character on which automatic carriage return-line feed is to occur. Front feed pawl farthest advanced. Clearance between extension on ring and automatic carriage return-line feed bellcrank

Min 0.040 inch---Max 0.055 inch

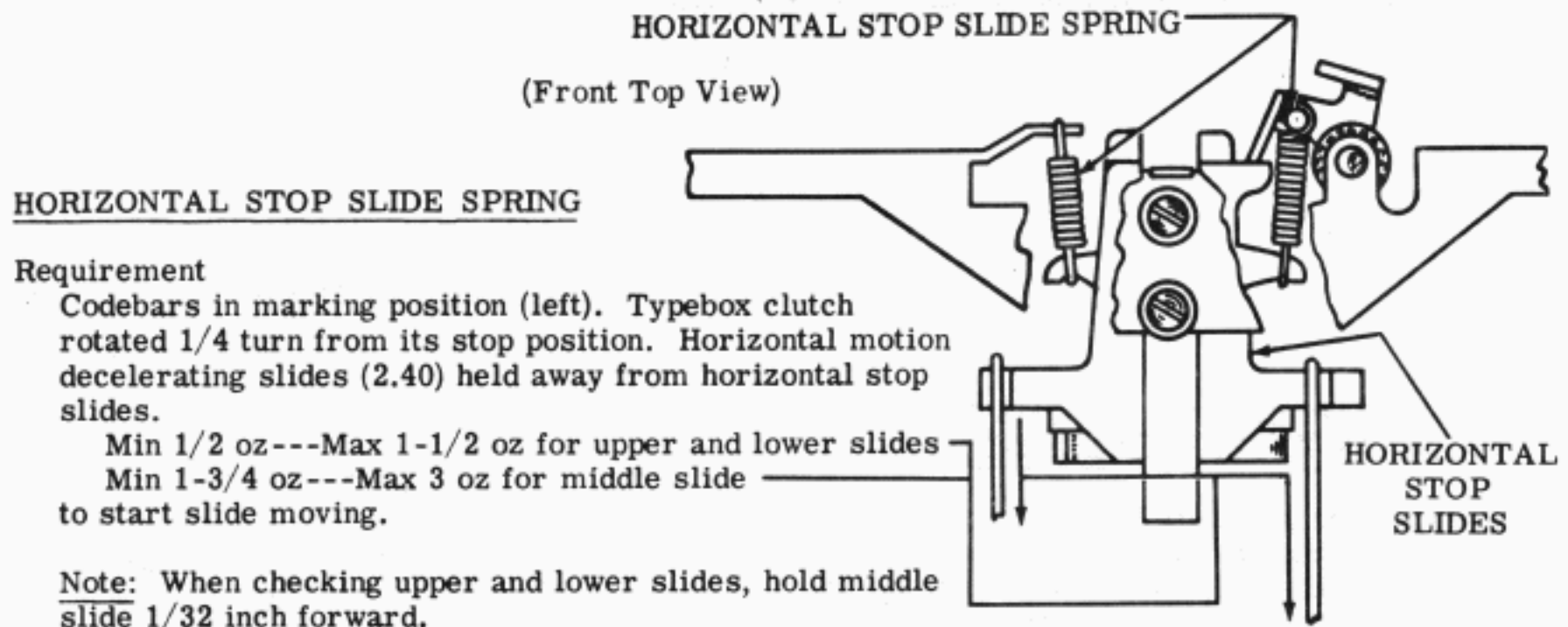
To Adjust

Position ring with four indicated mounting screws loosened.

Note: Range of line adjustment is from 0 to 85 characters.



2.69 Positioning Mechanism (continued)



Requirement

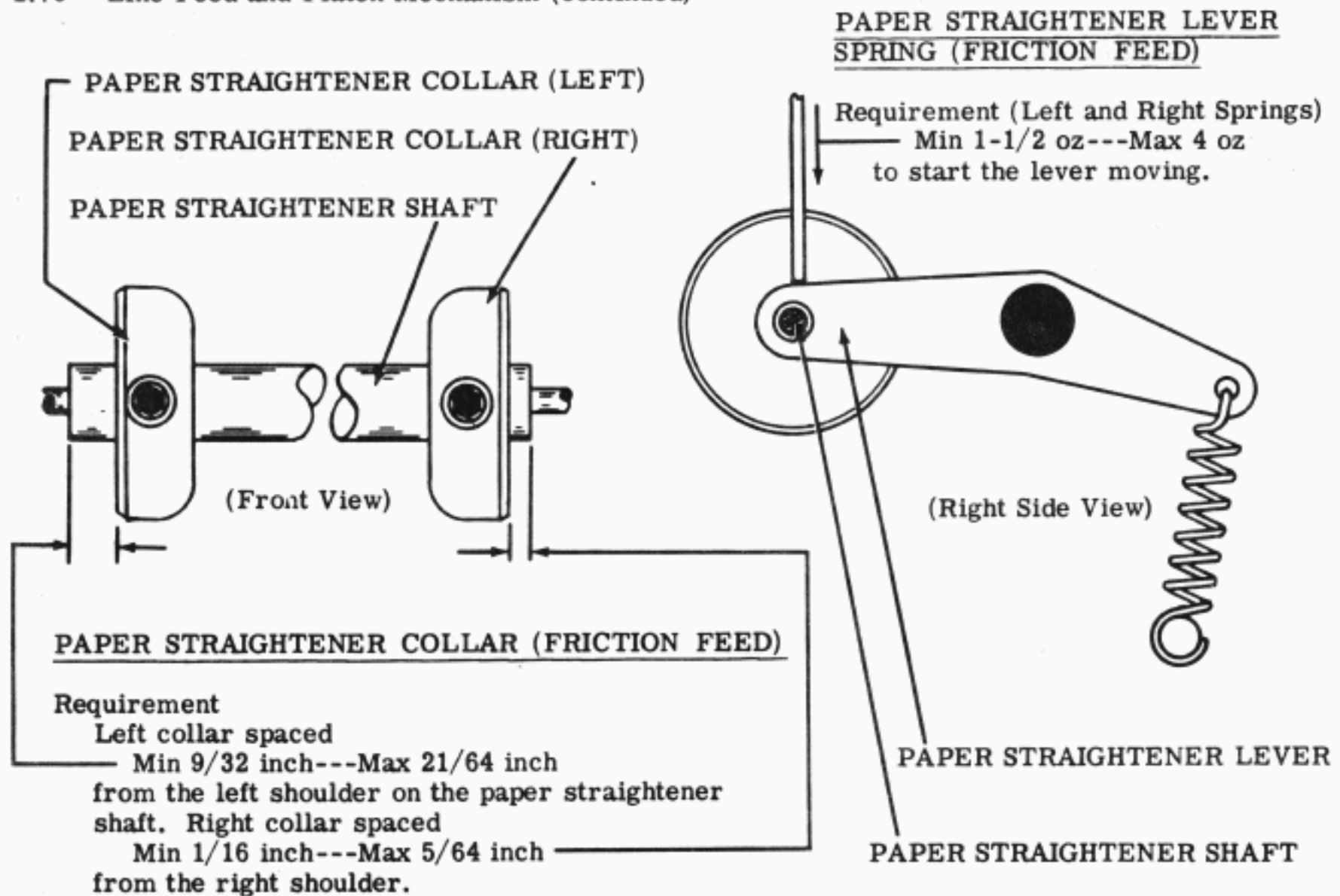
Codebars in marking position (left). Typebox clutch rotated 1/4 turn from its stop position. Horizontal motion decelerating slides (2.40) held away from horizontal stop slides.

Min 1/2 oz---Max 1-1/2 oz for upper and lower slides

Min 1-3/4 oz---Max 3 oz for middle slide to start slide moving.

Note: When checking upper and lower slides, hold middle slide 1/32 inch forward.

2.70 Line Feed and Platen Mechanism (continued)



Requirement

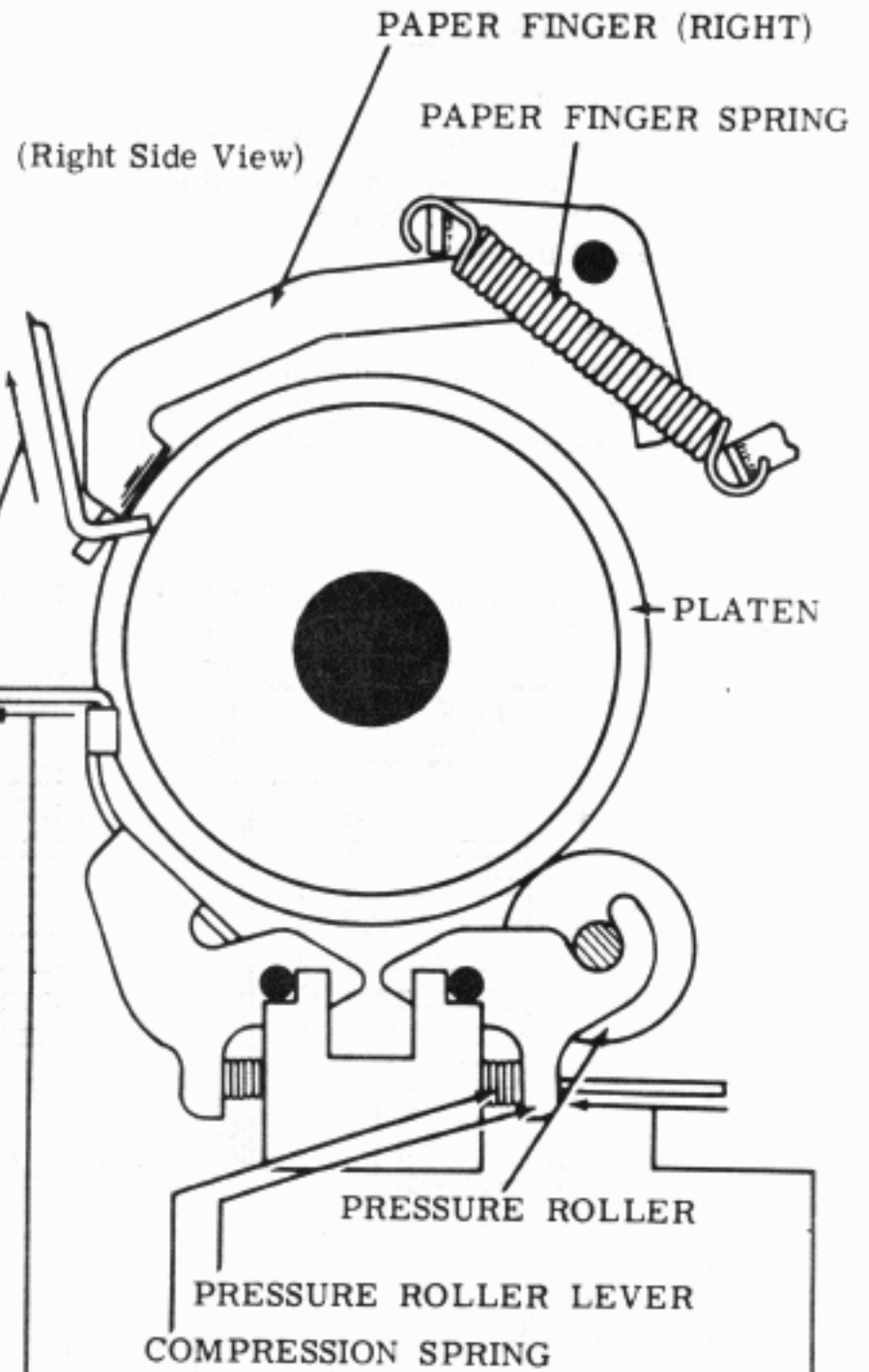
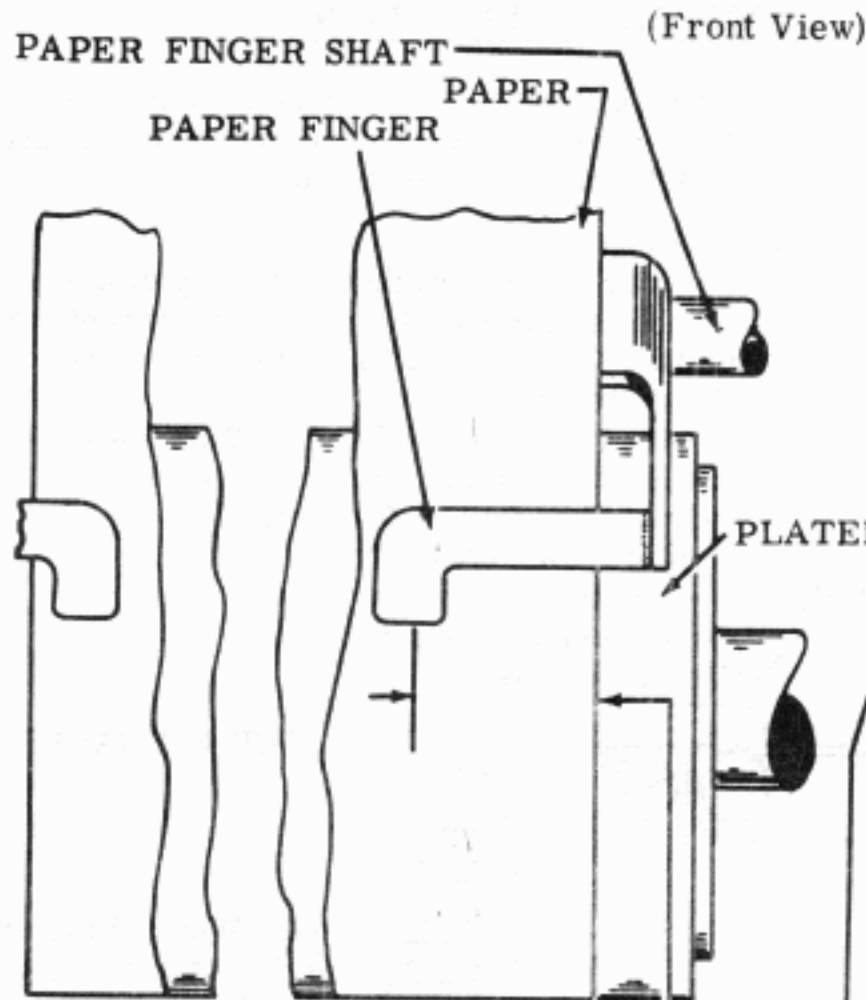
Left collar spaced Min 9/32 inch---Max 21/64 inch from the left shoulder on the paper straightener shaft. Right collar spaced Min 1/16 inch---Max 5/64 inch from the right shoulder.

To Adjust

Position collars on shaft with setscrews loosened.

Note: For sprocket feed mechanism, see 2.76.

2.71 Line Feed and Platen Mechanism (continued)



PAPER FINGER (FRICTION FEED)

Requirement

The pressure end of the paper fingers should overlap the paper from 3/8 inch to 1/2 inch.

To Adjust

Position the paper fingers by sliding them on their shaft.

PAPER FINGER SPRING (FRICTION FEED)

Requirement

Pull upward on right paper finger to start left paper finger moving from platen.

Min 3 oz ---Max 6 oz

Note: For sprocket feed mechanism, see 2.80.

PRESSURE ROLLER LEVER SPRING (FRICTION FEED)

Requirement

Min 28 oz ---Max 36 oz to start each center lever moving alternately.

PAPER PRESSURE BAIL SPRING (FRICTION FEED)

Requirement

Scale hooked over pressure bail at each end of platen.

Min 7 oz ---Max 20 oz to move pressure bail from platen.

2.72 Codebar Mechanism (continued)

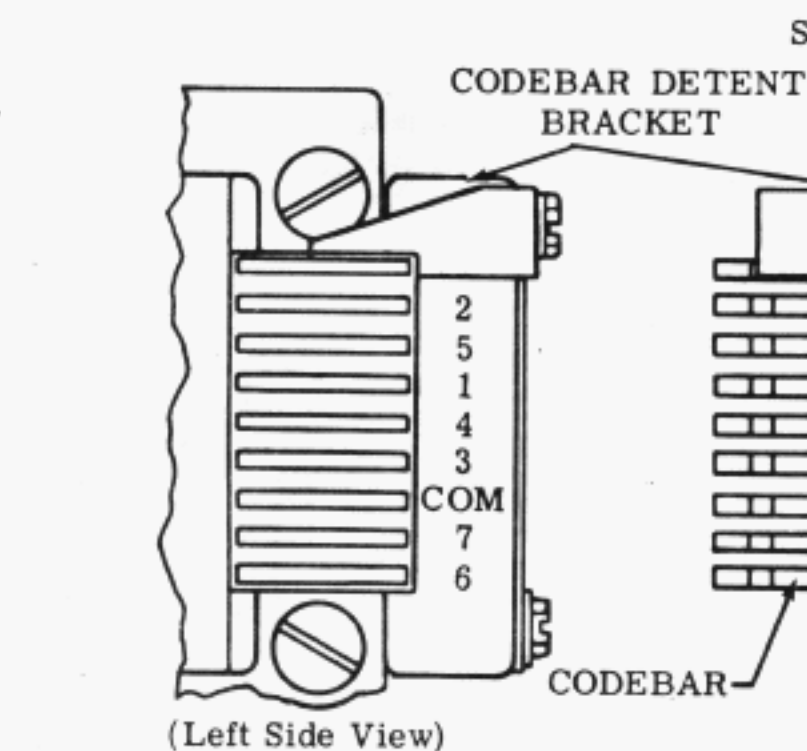
CODEBAR DETENT

Requirement

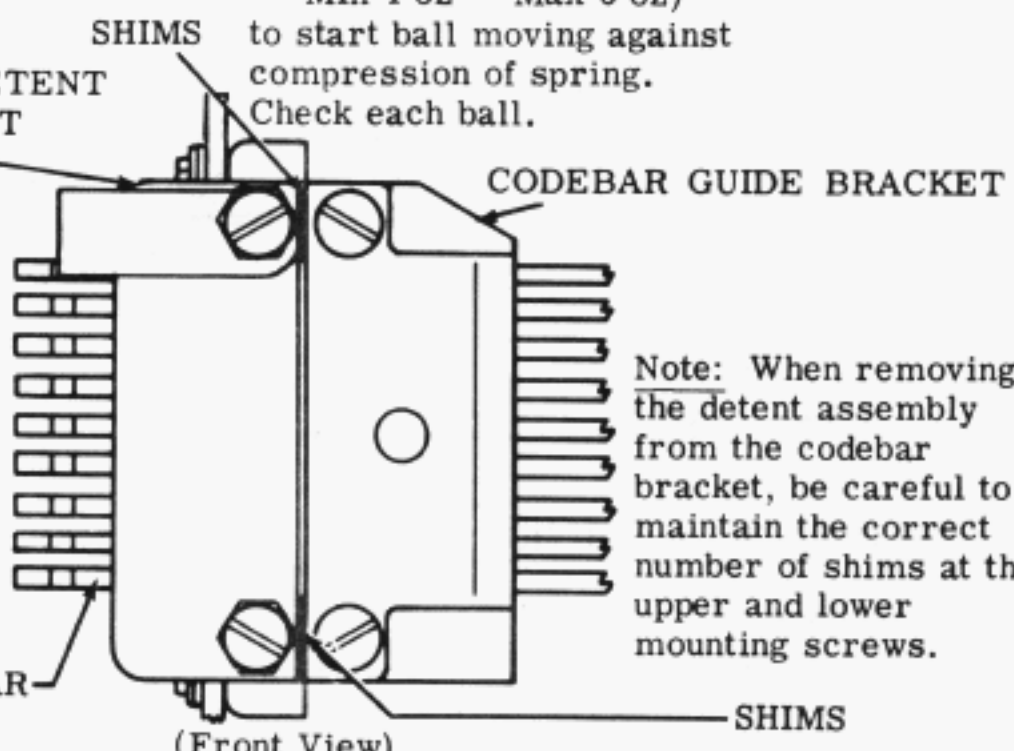
Front plate removed. All clutches disengaged. Suppression and shift codebars should detent equally (gauged by eye).

To Adjust

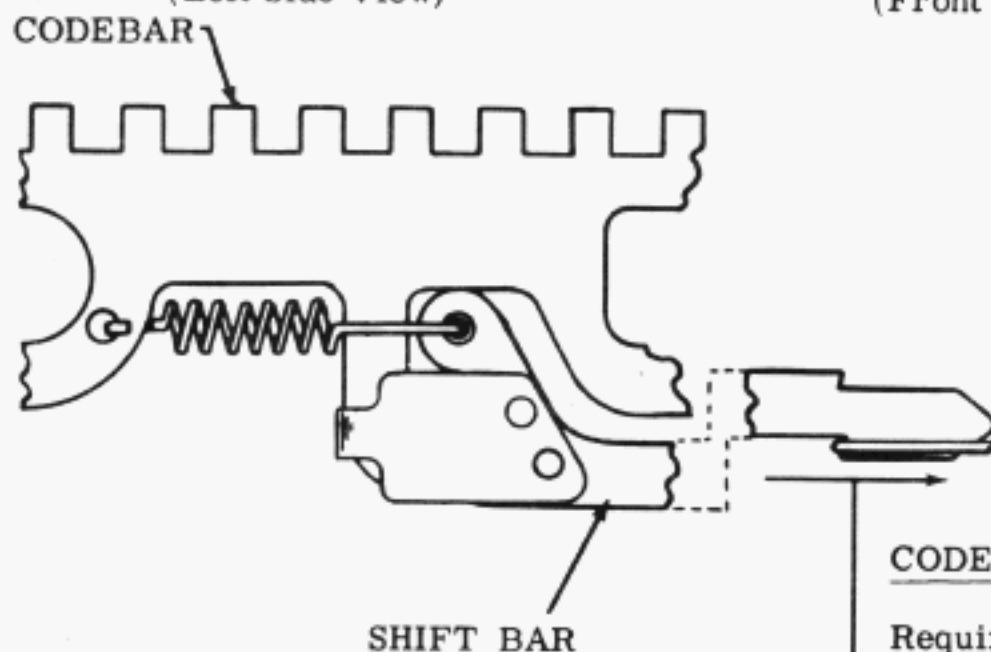
Equalize the detenting of the codebars by adding or removing shims between the casting and the codebar bracket.



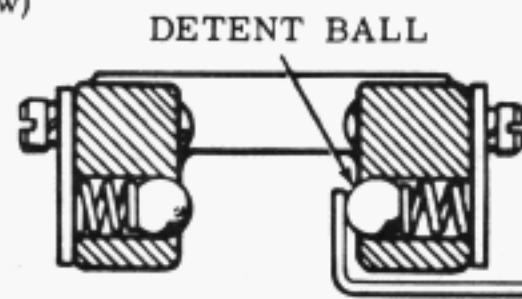
(Left Side View)



(Front View)



(Top Front View)



(Top Cross Section)

Note: When removing the detent assembly from the codebar bracket, be careful to maintain the correct number of shims at the upper and lower mounting screws.

CODEBAR DETENT SPRING

Note: Unless there is reason to believe that these springs are causing operating failure, do not check this requirement.

Requirement

Codebar detent bracket carefully removed and codebars removed from detent bracket. Scale applied to detent ball and pulled in direction of ball travel

Min 1-1/2 oz---Max 3-1/2 oz
(no. 6 codebar for non-Bell, no. 6 and no. 7 codebars for Bell
Min 4 oz---Max 6 oz)

to start ball moving against compression of spring.
Check each ball.

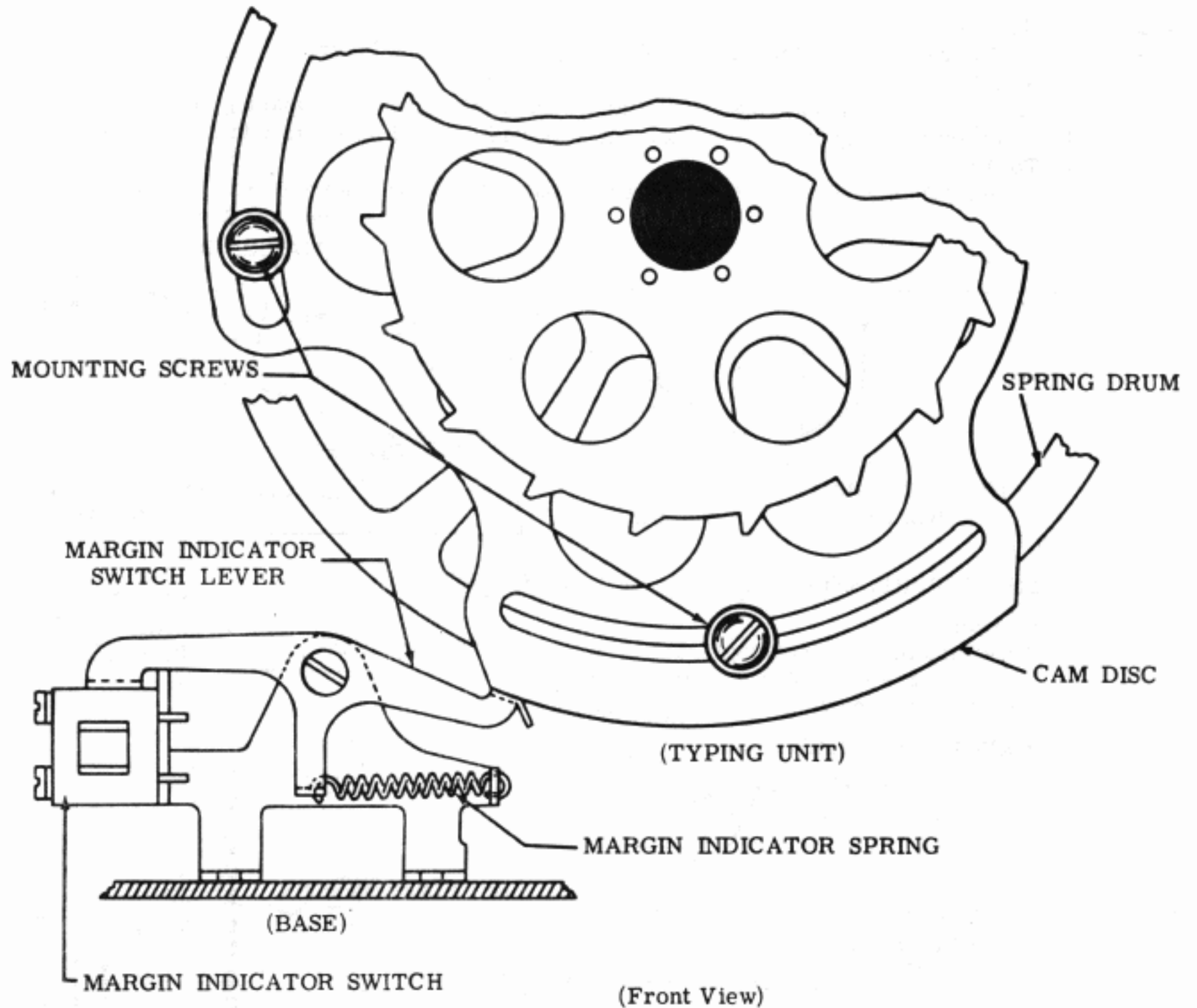
CODEBAR YIELD SPRING

Requirement

Selector clutch, codebar clutch, and typebox clutch disengaged. No. 1 codebar in spacing position

Min 14 oz---Max 23 oz
to start codebar shift bar pivot moving away from codebar. Check no. 2 and common codebar shift bar in the same manner.

2.73 Spacing Mechanism (continued)

MARGIN INDICATOR LAMP**Requirement**

Operating under power, the lamp should light on the desired character.

To Adjust

Set the typebox carriage to print the desired character and position the cam disc counterclockwise on the spring drum with its three mounting screws loosened so that the switch just opens. If a line shorter than 72 characters is required, it may be necessary to remove the cam disc screws and insert them in adjacent slots in the disc, if the range of rotation in one slot is not enough. Range is from the 5th through the 85th character.

(Min 65 characters---Max 69 characters
in Bell System switched network service)

2.74 Printing Mechanism (continued)

(B) PRINT SUPPRESSION BLOCKING LEVERS

To Check

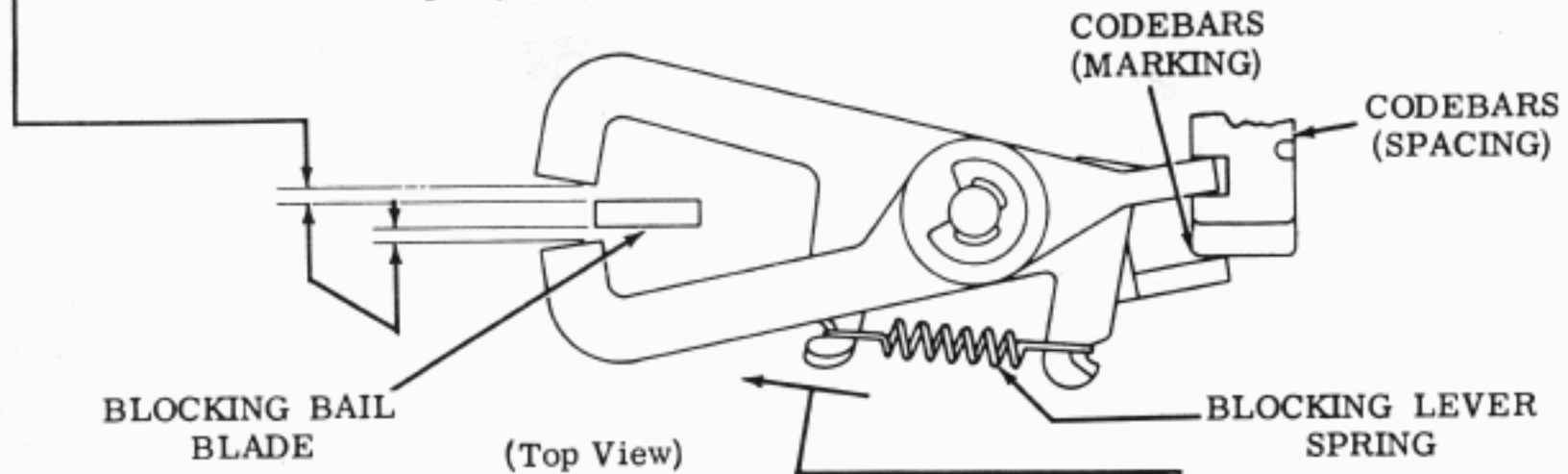
Manually move blocking bail blade opposite blocking lever.

Requirement

No. 6 codebar marking. No. 7 and suppression codebars spacing. Clearance between blocking levers and blocking bail blade should be equal within 0.020 inch.

To Adjust

Position eccentric post, keeping high part of eccentric toward front of unit.

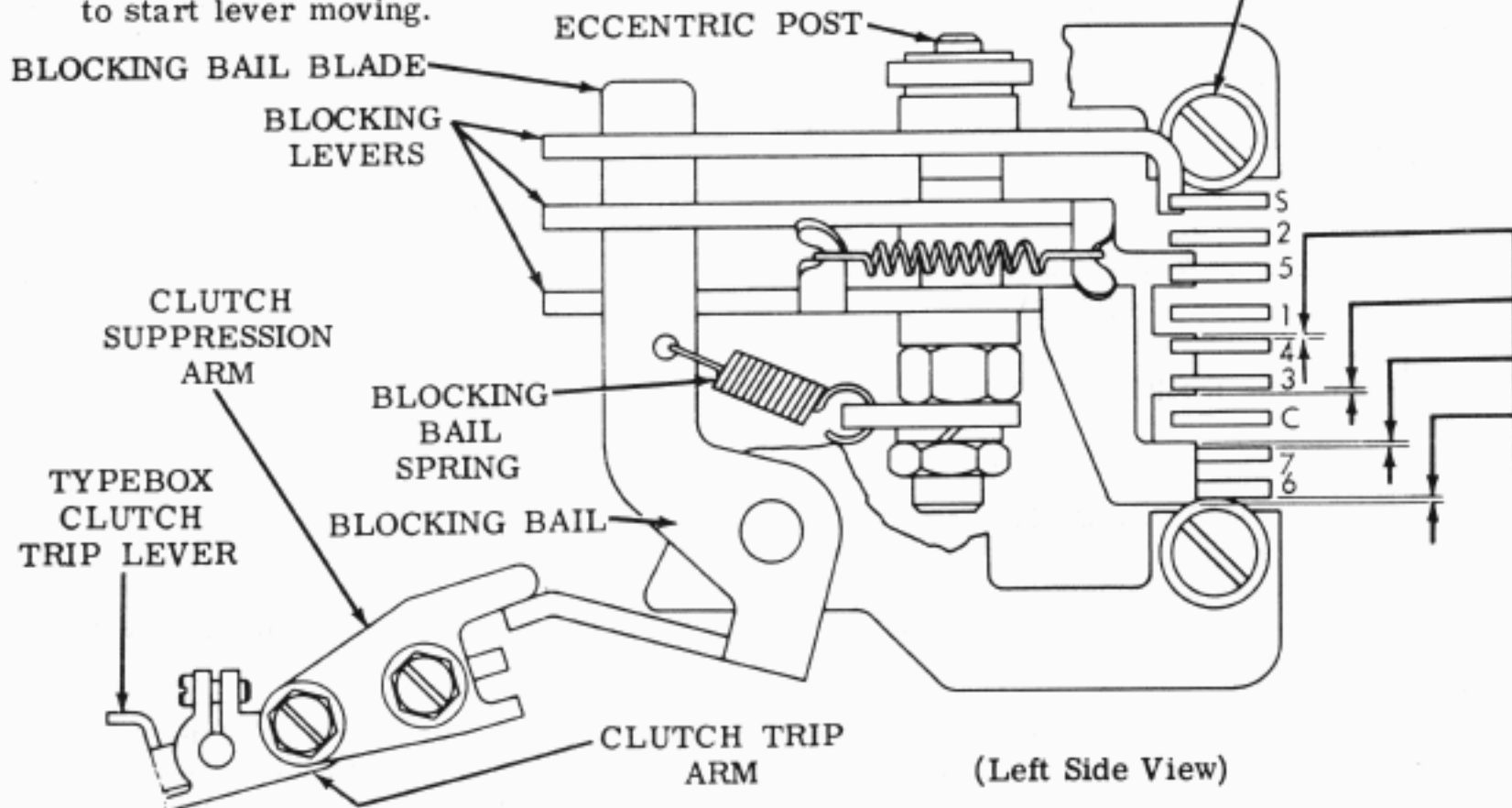


(C) PRINT SUPPRESSION BLOCKING LEVERS SPRING

Requirement

Codebars to right (spacing). Typebox clutch in stop position

Min 2-3/4 oz --- Max 4 oz
to start lever moving.



(A) PRINT SUPPRESSION MECHANISM

Requirement

Blocking lever extensions fully engaged by associated codebars.

To Adjust

Position print suppression assembly, with mounting screws friction tight, so lower lever extension is equally engaged by no. 6 and no. 7 codebars as gauged by eye.

2.75 Printing Mechanism (continued)

TYPEBOX CLUTCH SUPPRESSION ARM

Requirement

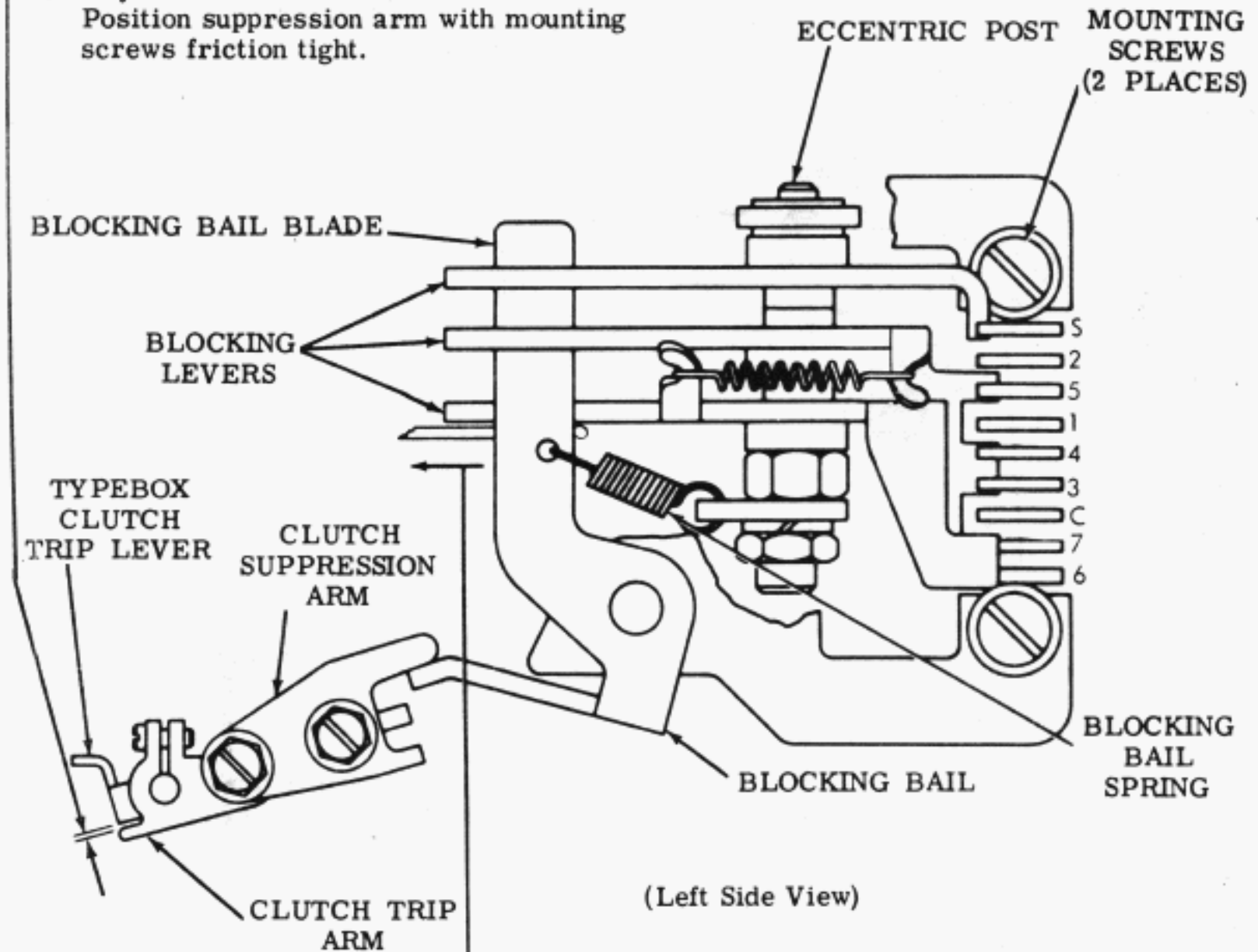
Blocking bail blocked. Rotate main shaft until function clutch shoe lever is opposite function clutch trip lever.

Min 0.003 inch clearance between typebox clutch trip arm extension and clutch trip lever.

Min 0.006 inch clearance between function clutch shoe lever and function clutch trip lever.

To Adjust

Position suppression arm with mounting screws friction tight.



PRINT SUPPRESSION BLOCKING BAIL SPRING

Requirement

All codebars right (spacing). Typebox clutch in stop position

Min 1/2 oz---Max 1-1/2 oz to start bail moving.

2.76 Line Feed and Platen Mechanism (continued)

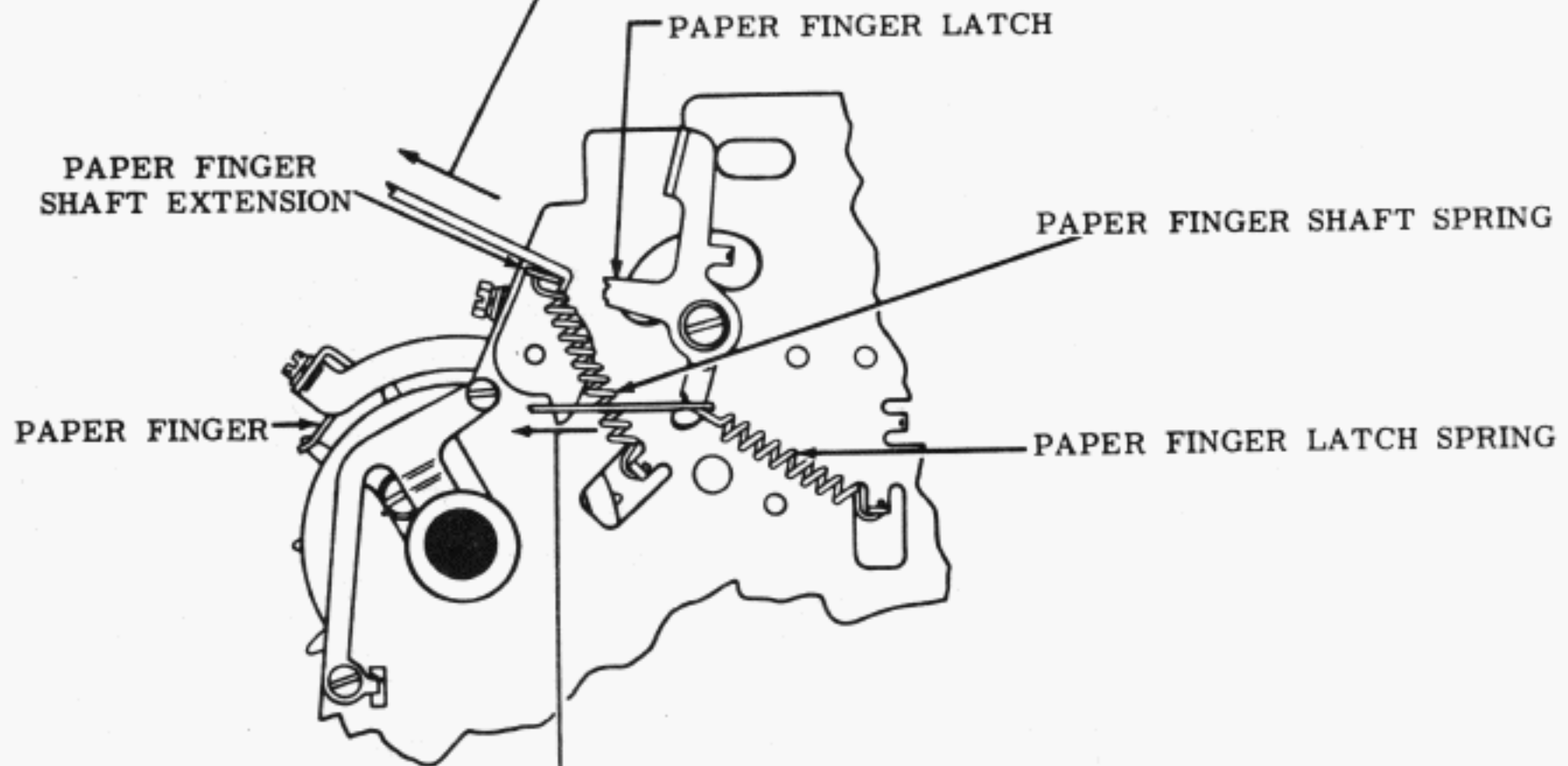
(A) PAPER FINGER SHAFT SPRING (SPROCKET FEED)

Requirement

Hold latch away from shaft extension

Min 6 oz---Max 10 oz

to move paper finger against the platen.



(Right Side View)

(B) PAPER FINGER LATCH SPRING (SPROCKET FEED)

Requirement

Hold paper finger against platen.

Min 8 oz---Max 12 oz

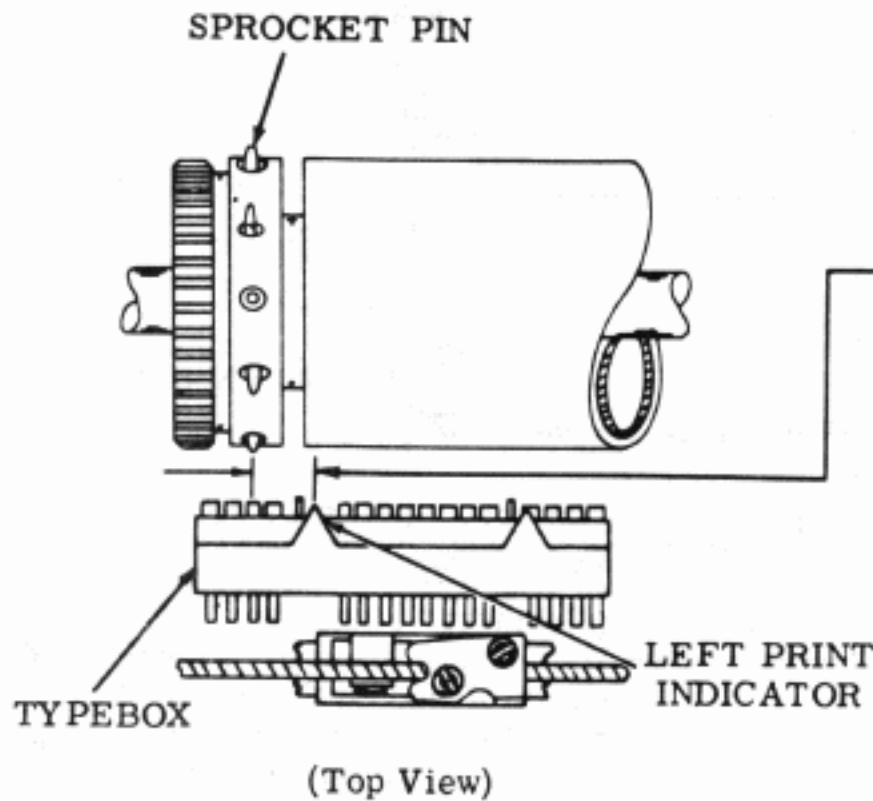
to start latch moving.

PLATEN DETENT BAIL SPRING

Use 2.61.

2.77 Line Feed and Platen Mechanism (continued)

(A) LEFT MARGIN (SPROCKET FEED)



(1) Requirement

Typebox clutch disengaged. Spacing drum fully returned. Clearance between centerline of sprocket pins in left hub and print indicator located in front of printing hammer stop bracket.
Min 5/16 inch---Max 7/16 inch

(2) Requirement

Spacing clutch disengaged. Front spacing feed pawl farthest advanced. Spacing drum fully returned. Play in spacing shaft gear (2.29) taken up clockwise. Clearance between pawl and shoulder of ratchet wheel tooth immediately ahead
Min some---Max 0.008 inch

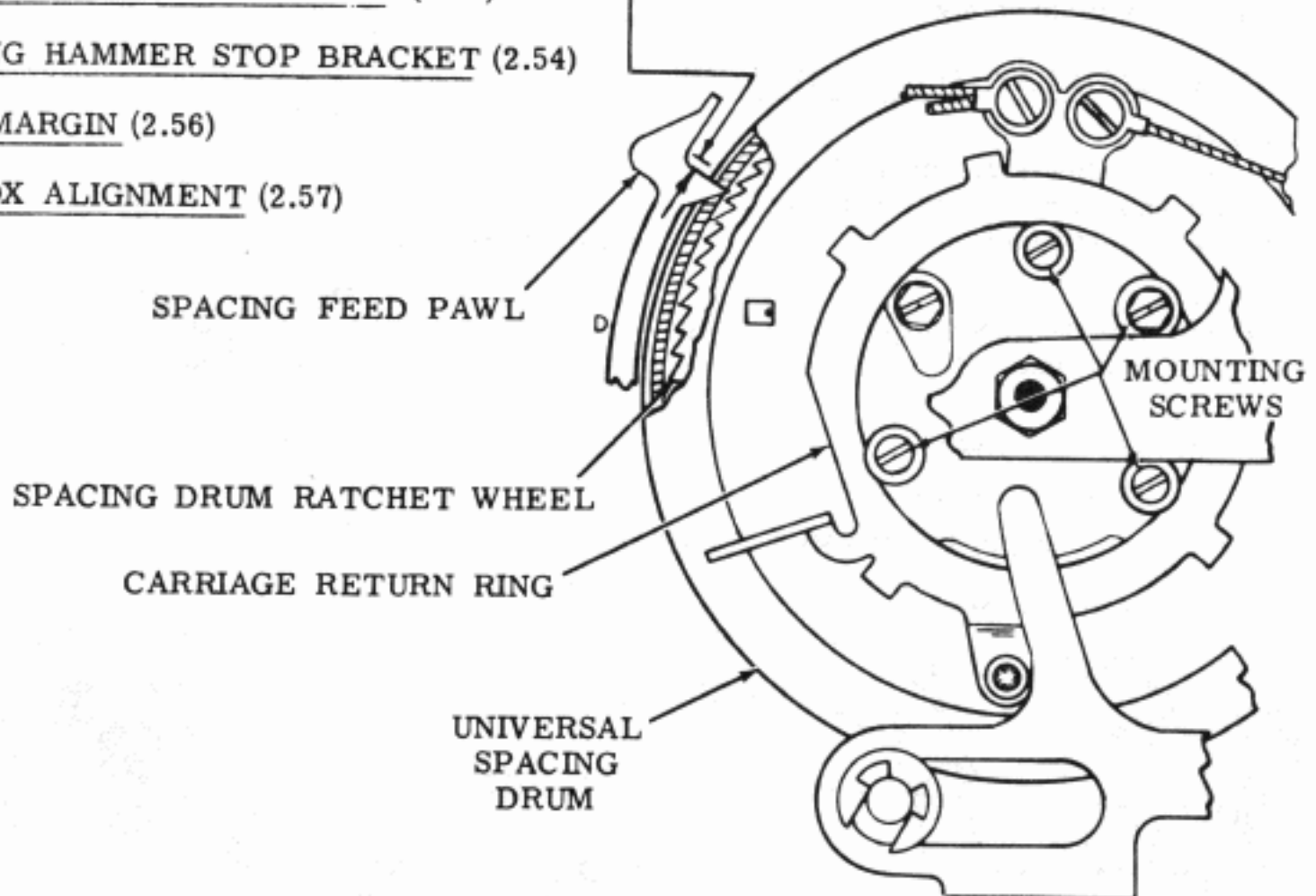
(3) Requirement

Rear pawl, when farthest advanced, should rest at bottom of indentation between ratchet wheel teeth.

To Adjust

Position carriage return ring with mounting screws loosened.

- (B) PRINTING CARRIAGE POSITION (2.51)
- (C) PRINTING HAMMER STOP BRACKET (2.54)
- (D) RIGHT MARGIN (2.56)
- (E) TYPEBOX ALIGNMENT (2.57)

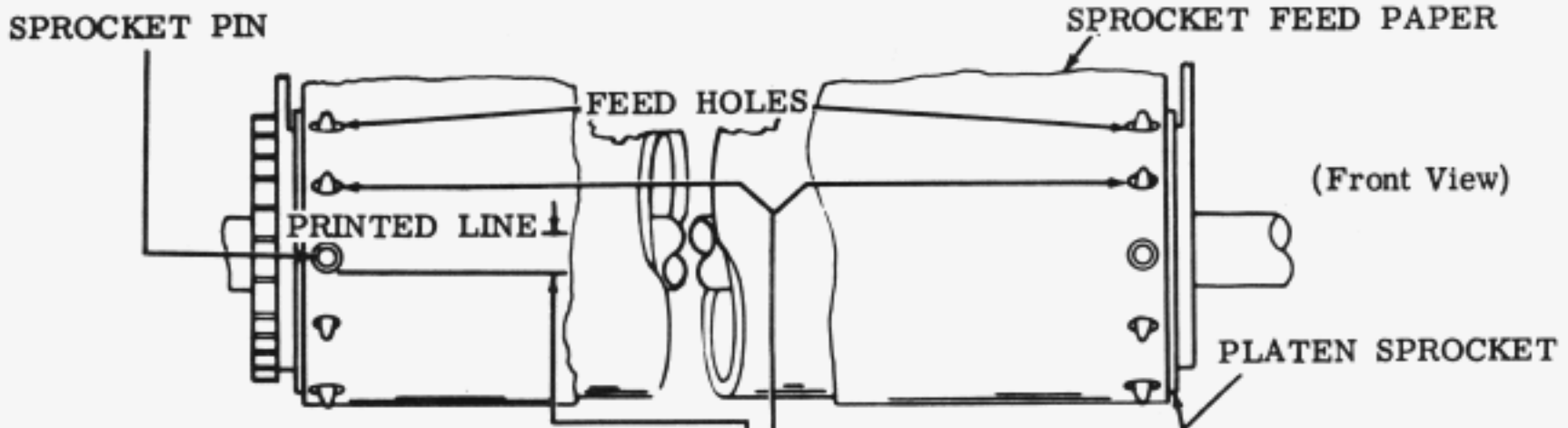


(Front View)

Note: Following this adjustment, all screws should be tightened.

2.78 Line Feed and Platen Mechanism (continued)

(A) LINE FEED SPUR GEAR DETENT ECCENTRIC Use 2.61.



(B) PRINTED LINE (SPROCKET FEED)

Requirement

The bottom of the printed line should be $1/32$ inch \pm $1/64$ inch (plus a multiple of $1/6$ inch if required) above a horizontal line drawn even with the bottom edge of any sprocket hole.

To Adjust

Loosen screws and position left sprocket.

Note: This adjustment is dependent on the type of form, and the location of the first printed line. The tolerances are field limits therefore the adjustment is not made in the factory.

(D) SPROCKET PIN SEPARATION (SPROCKET FEED)

(1) **Requirement**

With single sheet of sprocket feed paper placed on the platen the sprocket pins should be centrally located in the feed holes of the paper.

(2) **Requirement**

Printed line should be parallel to a line drawn perpendicular to edge of paper within plus or minus $1/32$ inch.

To Adjust

Position right sprocket with clamp screw loosened.

(C) PLATEN ENDPLAY (SPROCKET FEED)

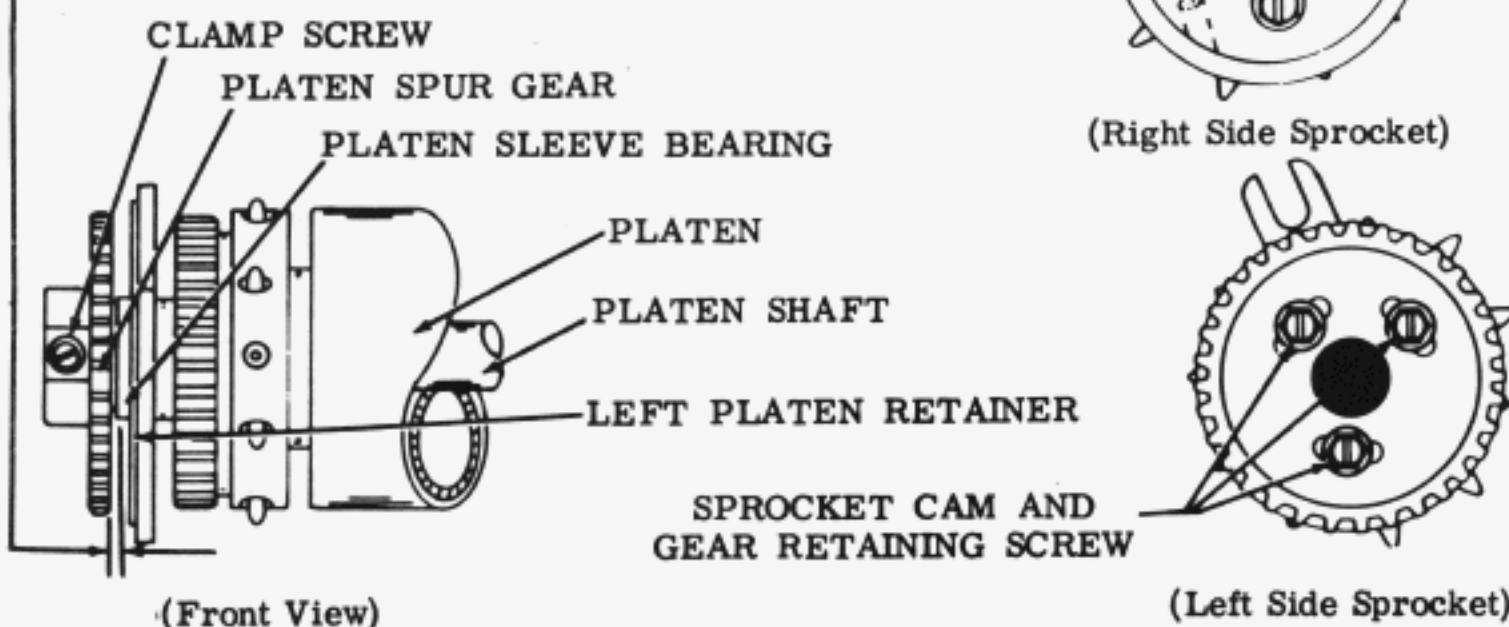
Requirement

Line feed pawls disengaged. Platen shaft should have some endplay

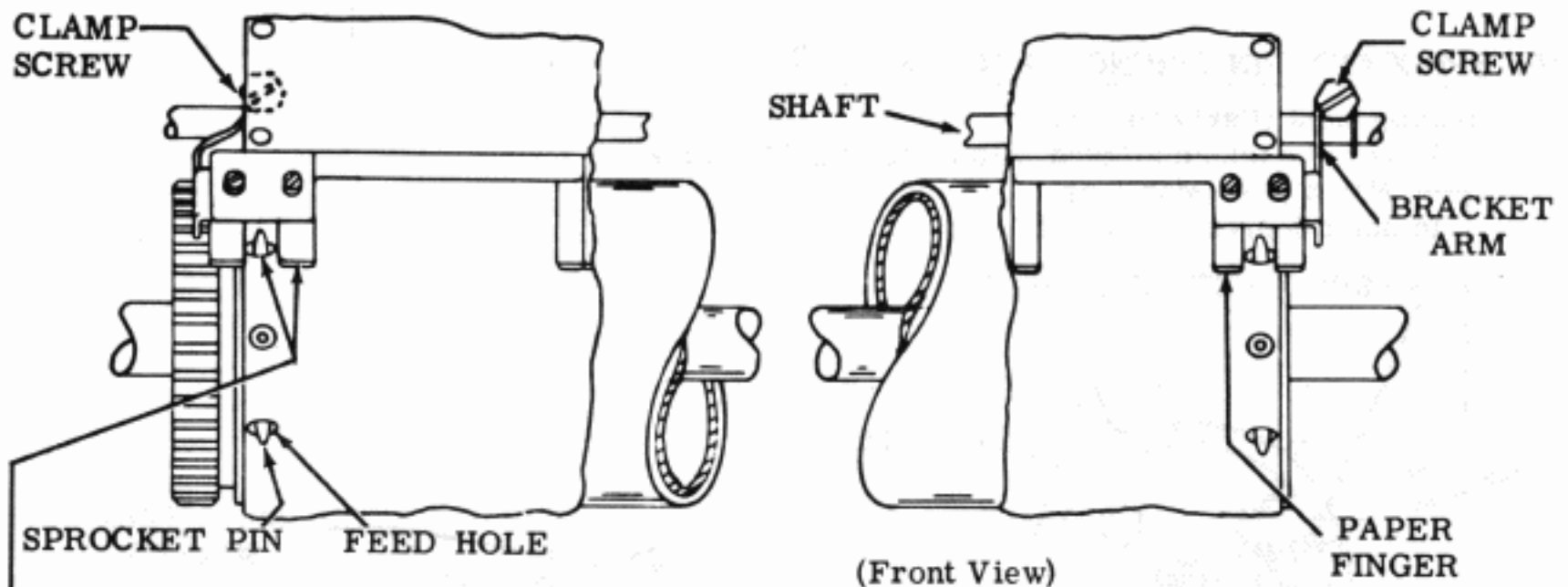
Max 0.010 inch

To Adjust

Position platen spur gear with clamp screw loosened.



2.79 Line Feed and Platen Mechanism (continued)

PAPER FINGER (SPROCKET FEED)

(1) Requirement

Sprocket pin should be centrally located in the paper finger slot.

(2) Requirement

The gap between the platen and the paper finger should be

Min 0.050 inch---Max 0.150 inch
(for stapled copies)

Min 0.020 inch---Max 0.060 inch
(unstapled or single copy).

Note: It is desirable to have the clearance at the minimum which will pass the stationery freely. This minimum is dependent upon the type of paper, number of copies, stapling, etc.

To Adjust

With paper finger assembly in latched position, loosen both clamp screws, position assembly horizontally to meet Requirement (1). Rotate assembly to meet Requirement (2).

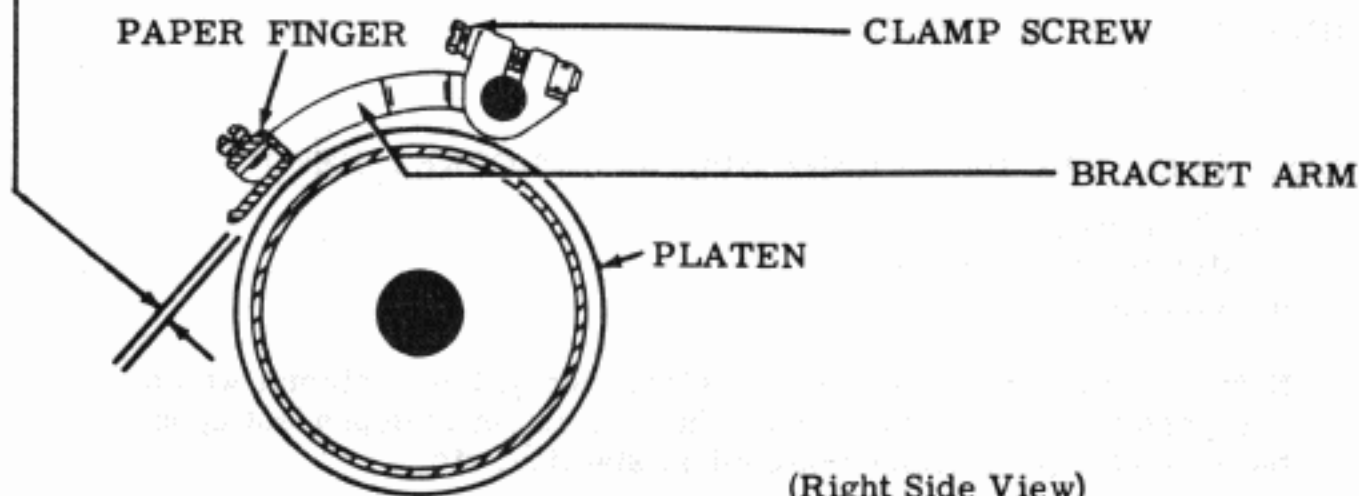
(3) Requirement (Not Illustrated)

Min 0.035 inch

between leading edge of paper finger and ribbon guide. Both right and left paper fingers must be parallel to the same printed line as gauged by eye.

To Adjust

Select rubout combination and rotate typebox clutch 1/2 revolution. Position paper fingers by means of elongated mounting holes. After tightening the screws recheck Requirements (1), (2), and (3).



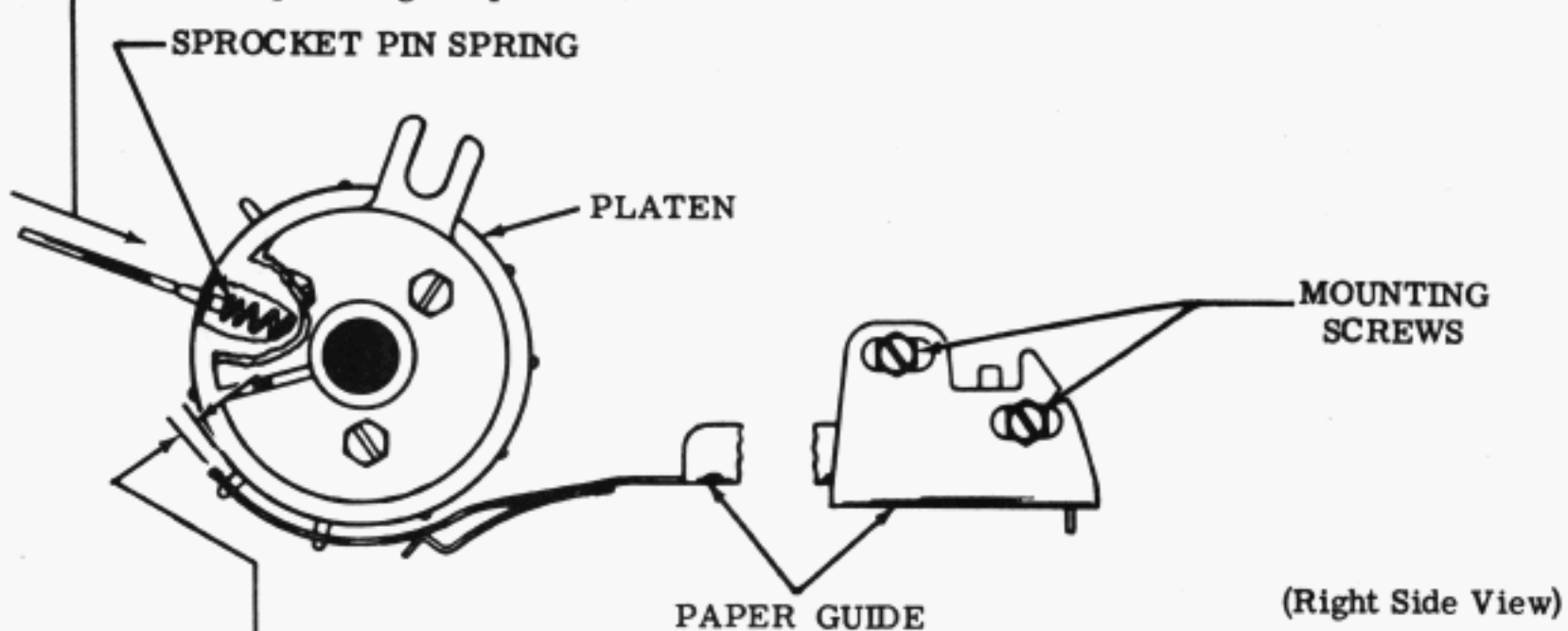
2.80 Line Feed and Platen Mechanism (continued)

(B) SPROCKET PIN SPRING (SPROCKET FEED)

Requirement (Early Design)

Pins to be tested aligned with slots in guide bracket.

Min 6 oz---Max 8 oz
to start depressing the pin.



(A) PAPER GUIDE (SPROCKET FEED)

Requirement

The clearance between the platen and the front edge of the paper guide should be

Min 0.050 inch---Max 0.150 inch
(stapled copies)

Min 0.020 inch---Max 0.060 inch
(unstapled or single copy).

To Adjust

Position the guide with its rear mounting screws loosened.

(C) RIBBON REVERSE SPUR GEAR

Use 2.58.

(D) RIBBON REVERSE DETENT

Use 2.58.

(E) LINE FEED BAR BELLCRANK SPRING (SPROCKET FEED)

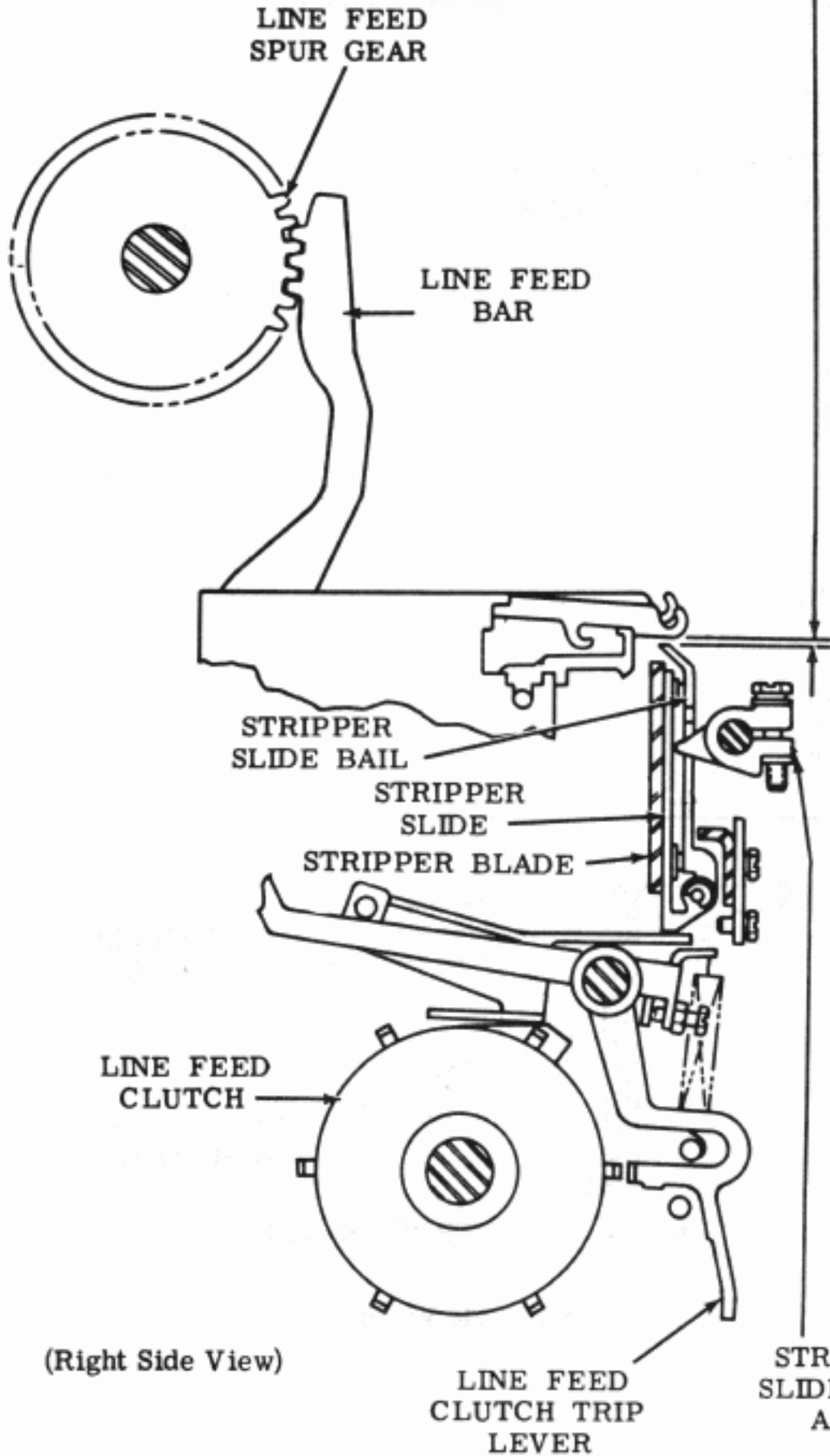
Use 2.61 except

Min 28 oz---Max 38 oz
to start bar moving.

Note: It is desirable to have the clearance at the minimum which will pass the stationery freely. This minimum is dependent upon the type of paper, number of copies, stapling, etc.

2.81 Function Mechanism (continued)

STRIPPER SLIDE BAIL ARM



(Right Side View)

(1) Requirement

Clearance between top edge of stripper slide bail and lower surface of the closest line feed function pawl should be

Min 0.030 inch---Max 0.045 inch

To Check

Single-double line feed lever in double line feed position and all clutches in latched stop position. Select line feed function. Rotate main shaft until codebar clutch stop lever just touches codebar clutch shoe lever. Take up play of stripper bail cam shaft drive arm to make clearance a maximum between the stripper bail and line feed function pawl. Take up play of stripper slide bail and function pawl in downward direction.

To Adjust

Position stripper slide bail arm with its clamping screw loosened. Position arm laterally to clear stripper slide when screw is tightened.

(2) Requirement

The line feed trip lever should reset at a point over, or just past, the second stop-lug by not more than 1/3 the distance between lugs.

To Check

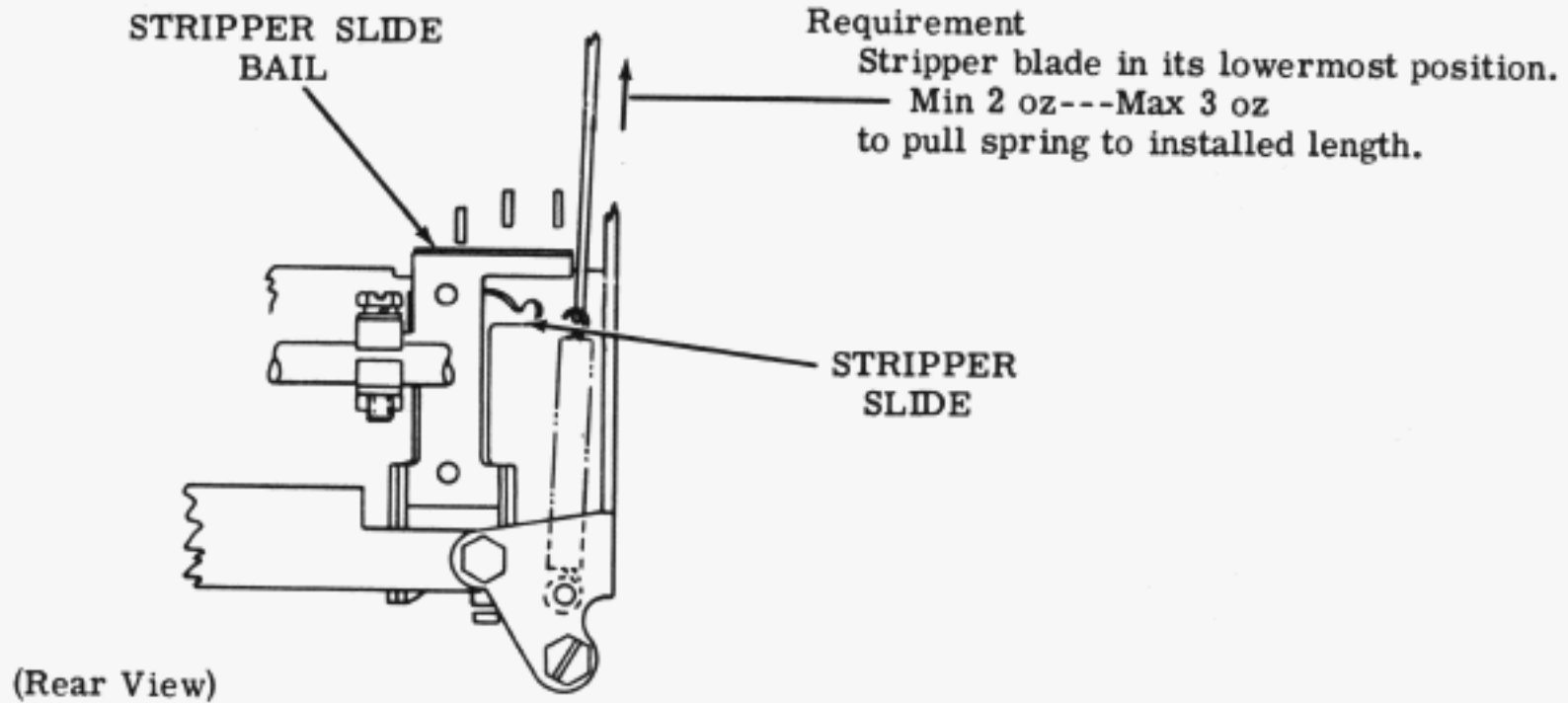
Single-double line feed lever in double position. Select line feed function and rotate main shaft.

To Adjust

Refine LINE FEED CLUTCH TRIP LEVER ADJUSTING SCREW (2.25), if necessary. Recheck Requirement (1) of this adjustment.

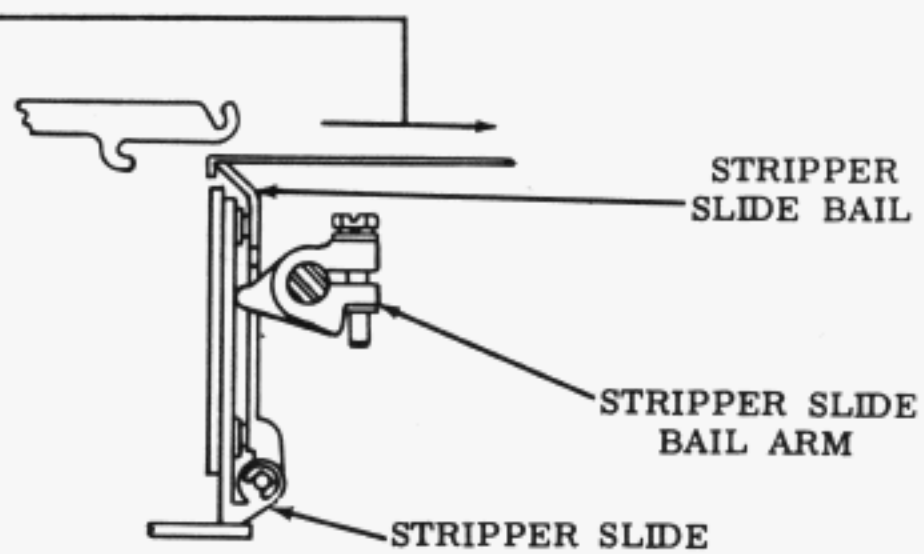
2.82 Function Mechanism (continued)

STRIPPER SLIDE SPRING



STRIPPER SLIDE BAIL TORSION SPRING

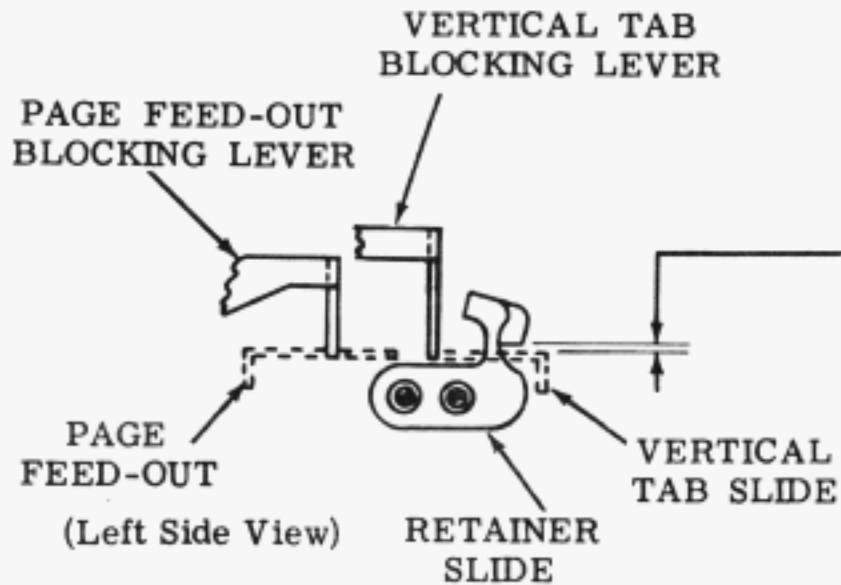
Requirement
Single-double feed lever in single position.
Select line feed function and rotate main shaft until stripper slide bail just strips line feed function pawl.
Min 1 oz---Max 1-1/2 oz
to just start bail moving.



(Left Side View)

3. VARIABLE FEATURES

3.01 Vertical Tabulator Mechanism (For Bell System Switched Network Service)



(A) VERTICAL TABULATOR SLIDE RETAINER

Requirement

Clearance between vertical tab slide and retaining edge of retainer
 Min some---Max 0.012 inch

To Adjust

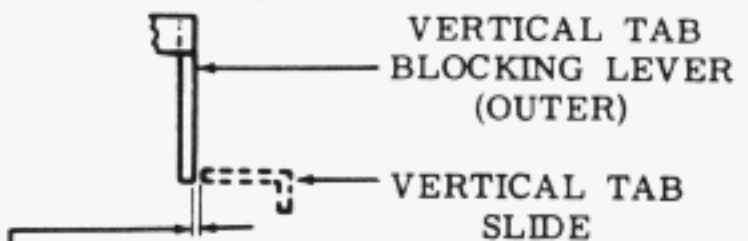
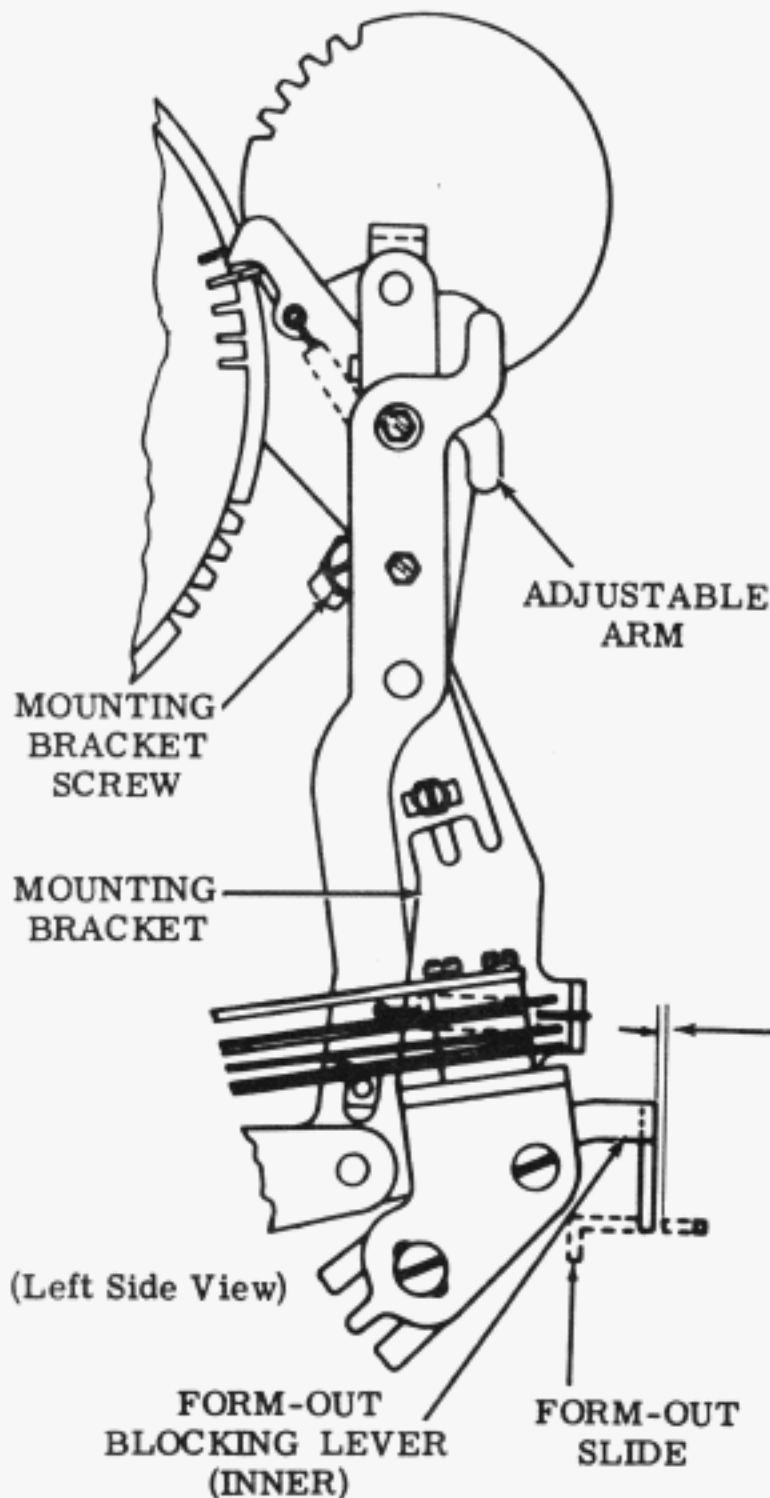
Move retainer to extreme forward position and locate up or down to meet requirement.

(B) MOUNTING BRACKET

(1) Requirement

Select form-out code combination and rotate main shaft until form-out slide is in forwardmost position. Clearance between form-out (inside) blocking lever and form-out slide.

Min some---Max 0.020 inch when play in blocking lever is taken up to make clearance minimum.



(2) Requirement

Select vertical tab code combination and rotate main shaft until vertical tab slide is in forwardmost position. Clearance between vertical tab slide and vertical tab blocking (outer) lever

Min 0.002 inch when play in blocking lever is taken up to make clearance minimum.

To Adjust

With mounting bracket screw friction tight, position lower portion of mounting bracket to meet Requirements (1) and (2).

3.02 Vertical Tabulator Mechanism (continued)
(For Bell System Switched Network Service)

(B) INDEXING DISC

Requirement

Line feed clutch disengaged. Form-out stop plate adjacent to form-out follower. Clearance between stop plate and follower

Min 0.015 inch---Max 0.040 inch with slack taken up in idler and form start gears to make gap minimum.

To Adjust

Pull gear out of engagement with idler. Turn handwheel clockwise until a stop plate just operates follower and then engage first tooth on idler. Position disc with three mounting screws.

(C) POINTER ADJUSTMENT

Requirement

Line feed clutch disengaged. Form-out stop plate adjacent to follower. Pointer on printer side frame should line up with notch in index disc.

To Adjust

Pointer mounting screw, on printer side frame, friction tight. Position pointer so it lines up with notch on index disc, and clears any stop plate by approximately 1/16 inch.

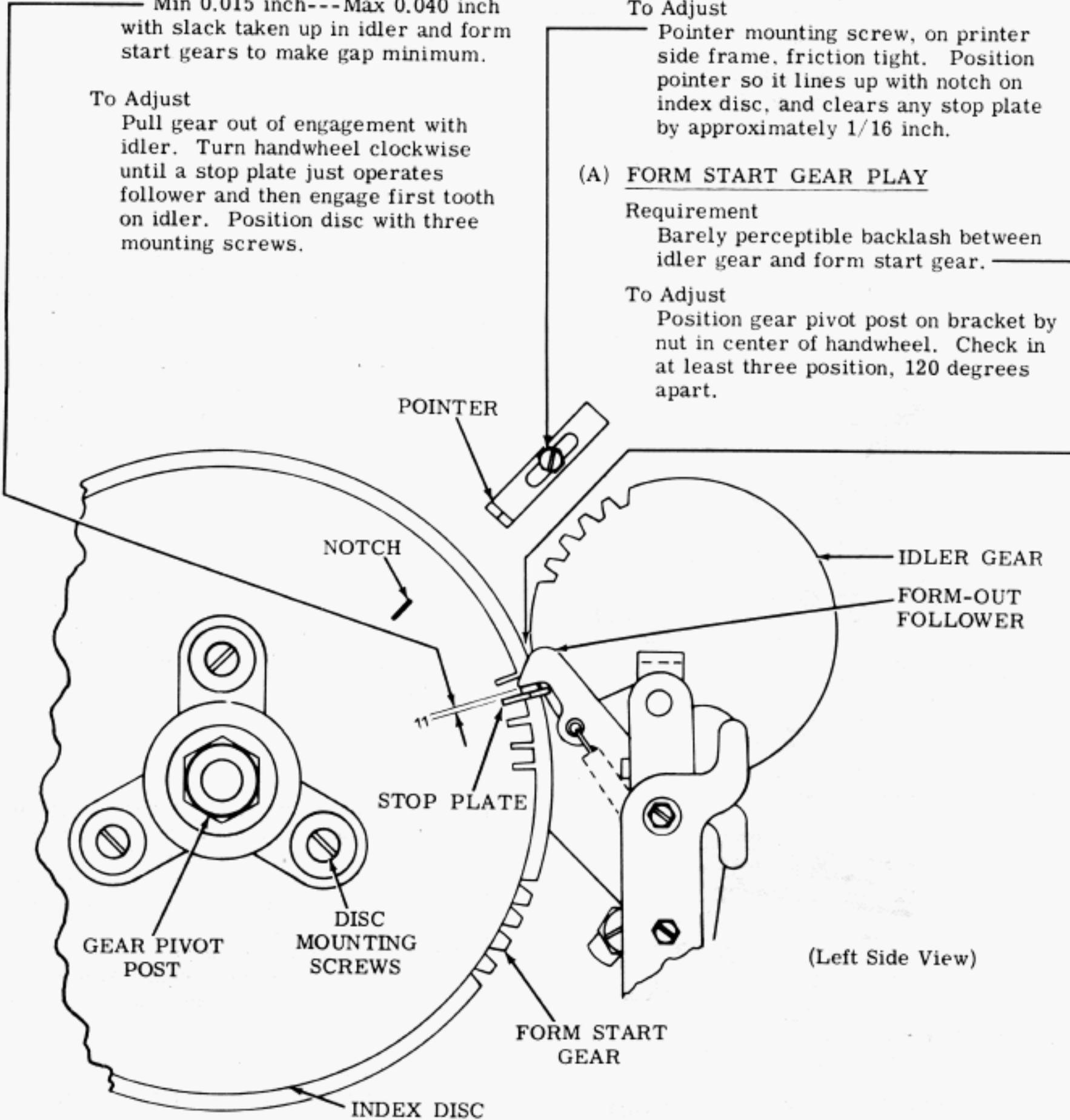
(A) FORM START GEAR PLAY

Requirement

Barely perceptible backlash between idler gear and form start gear.

To Adjust

Position gear pivot post on bracket by nut in center of handwheel. Check in at least three position, 120 degrees apart.



3.03 Vertical Tabulator Mechanism (continued)
 (For Bell System Switched Network Service) (Transmitter Control Switch Adjustments)

(D) NORMALLY OPEN CONTACT GAP

Requirement
 Blocking levers unoperated. Gap between normally open contacts
 Min 0.008 inch---Max 0.012 inch

To Adjust
 Bend stiffener.

(A) TRANSFER CONTACT SPRING

Requirement
 Blocking levers unoperated.
 Min 2 oz---Max 3 oz
 to just open contacts. Bend long contact spring to meet requirement.

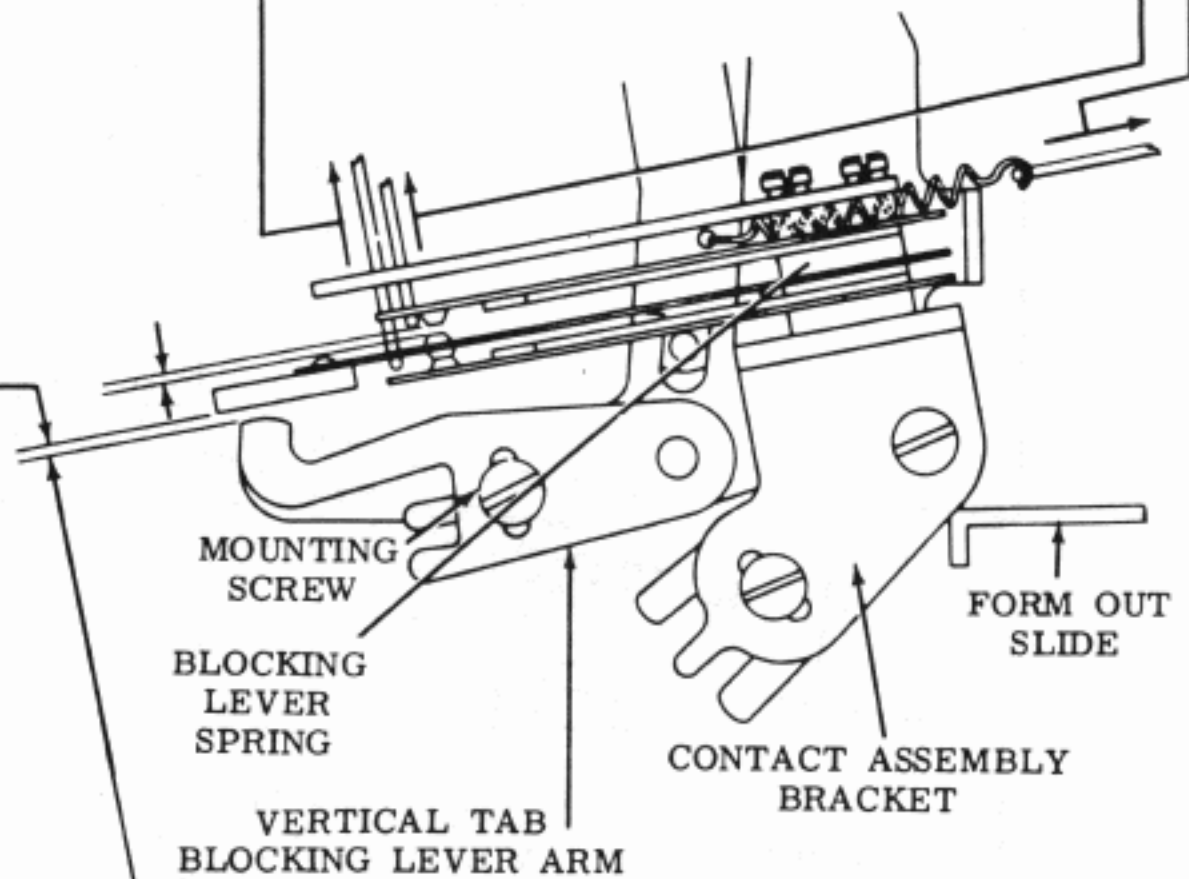
(H) VERTICAL TAB BLOCKING LEVER SPRING

Requirement
 Blocking lever arms resting on top of their slides. Unhook blocking lever spring from mounting bracket.
 Min 9 oz---Max 11 oz
 to pull spring to operating length. Check both blocking lever springs.

(B) NORMALLY OPEN CONTACT SPRING

Requirement
 Blocking levers unoperated
 Min 1 oz---Max 2 oz
 to just move short contact spring away from stiffener. Bend short contact spring to meet requirement.

(Left Side View)



(F) VERTICAL TAB BLOCKING LEVER ARM

Requirement
 Vertical tab blocking lever resting on top of slide, clearance between blocking lever arm and insulator pad
 Min some

To Adjust
 Position blocking lever arm with mounting screws friction tight.

(E) CONTACT BRACKET

Requirement
 Form-out blocking lever resting on top of form-out slide. Clearance between blocking lever and insulator tip of swinger
 Min some

To Adjust
 Position contact assembly bracket with mounting screws friction tight.

3.04 Vertical Tabulator Mechanism (continued)
 (For Bell System Switched Network Service) (Transmitter Control Switch Adjustments)

(G) NORMALLY CLOSED CONTACT GAP

(1) Requirement

Select form-out code combination. Rotate main shaft until form-out slide is in forwardmost position and form-out blocking lever drops behind slide. Clearance between normally closed contact points

Min 0.008 inch

To Adjust

Refine NORMALLY OPEN CONTACT GAP and CONTACT BRACKET (3.03, (D) and (E)).

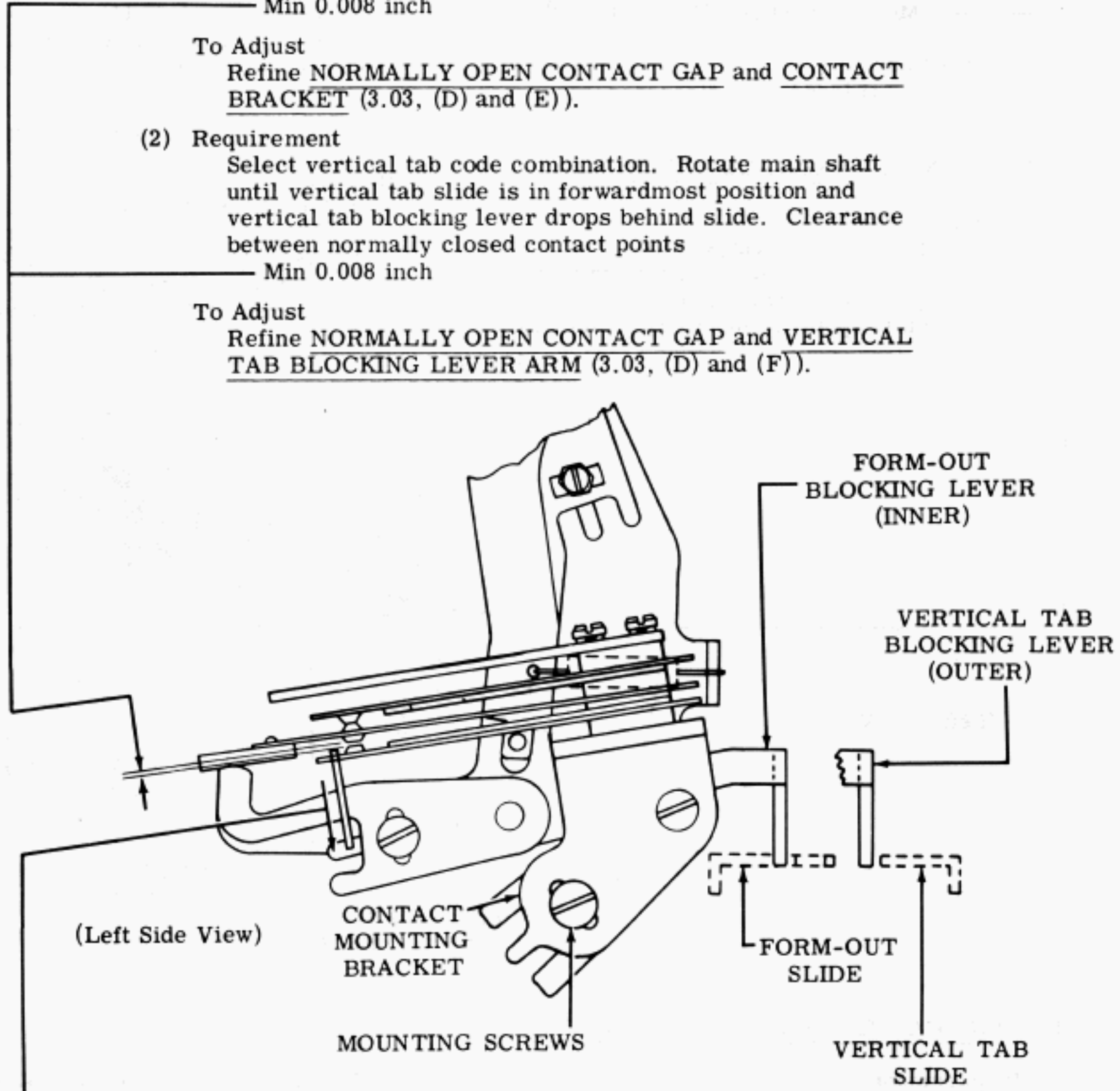
(2) Requirement

Select vertical tab code combination. Rotate main shaft until vertical tab slide is in forwardmost position and vertical tab blocking lever drops behind slide. Clearance between normally closed contact points

Min 0.008 inch

To Adjust

Refine NORMALLY OPEN CONTACT GAP and VERTICAL TAB BLOCKING LEVER ARM (3.03, (D) and (F)).



(C) NORMALLY CLOSED CONTACT SPRING

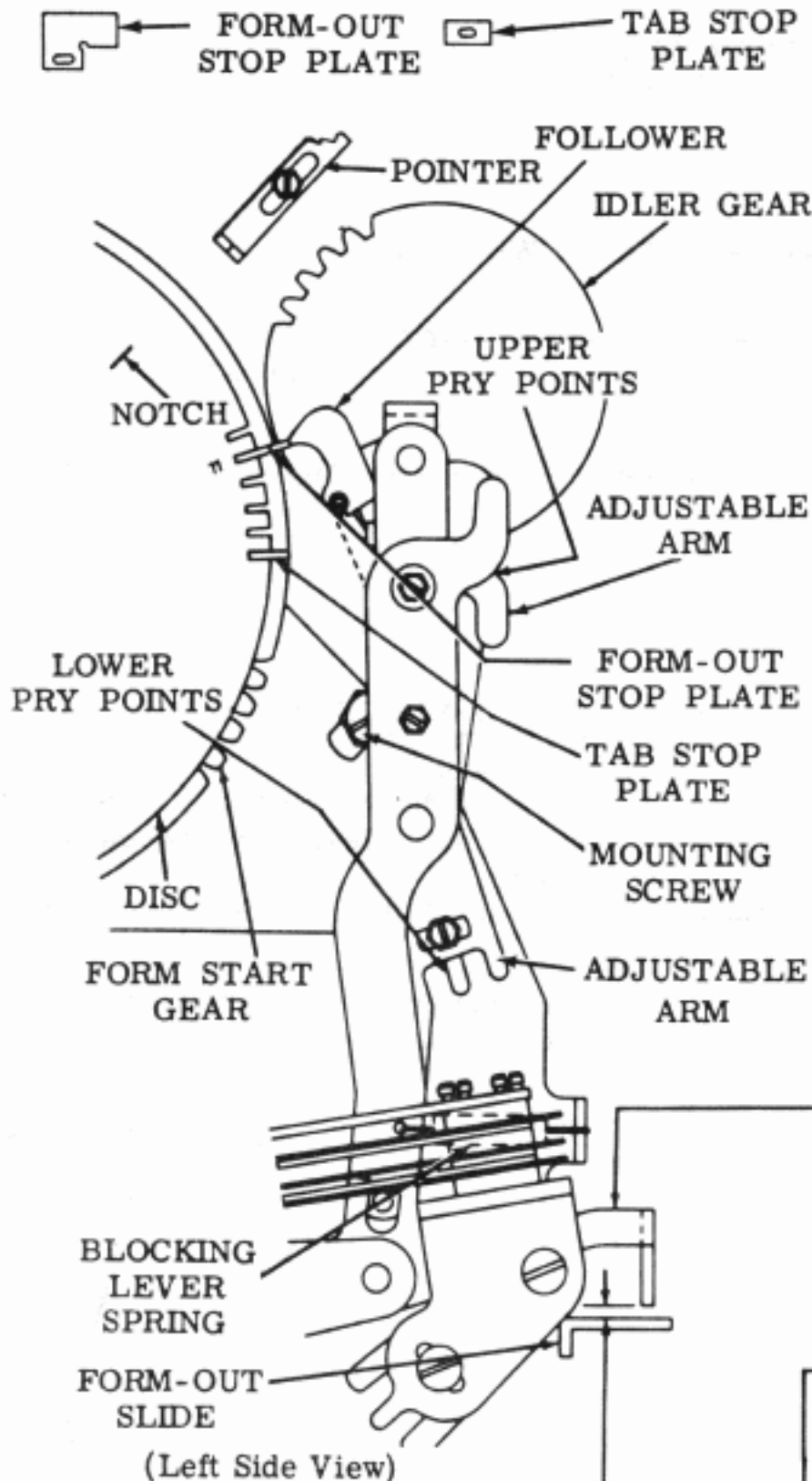
Requirement

Blocking levers operated

Min 2 oz---Max 3 oz

to just move short contact spring away from stiffener. Bend short contact spring to meet requirement.

3.05 Vertical Tabulator Mechanism (continued)
 (For Bell System Switched Network Service) (Form-Out and Tabulator Stops)



Note 1: Form-Out Stop Adjustment — Form-out index plates should be placed in numbered slots corresponding to length of form to be used. Form-out device may now be synchronized with form by first positioning form so that typing unit prints in first typing line of form. (When typing unit is in stop position, top of ribbon guide lines up with bottom of printing line.) With form in this position, pull form start gear out of engagement with idler and turn it until pointer on printer side is lined up with notch in index disc. (Form start gear is held in engagement with idler by spring tension, and may be disengaged by pulling the handwheel assembly out to left.)

Note 2: Tabulation Stop Adjustment — Tabulation stops within a form may be synchronized by first positioning form so typing unit will print on first typing line of form. (Procedure is outlined in Note 1.) Next, line feed platen to desired first printing line in form. Place tab stop plate in disc slot which lines up with vertical tab follower (inner). In same manner, place tab stop plates at succeeding desired printing lines within form. Tab stop plates may be placed on their sides in disc to nullify undesired printing positions on form.

BLOCKING ARM (FORM-OUT)

Requirement

Clearance between bottom of form-out blocking lever and top of form-out slide
 Min 0.005 inch---Max 0.045 inch

To Check

Trip line feed clutch. Rotate main shaft until form-out follower is on peak of form-out stop plate.

To Adjust

Position adjustable arm at lower pry points with clamp screw loosened.

BLOCKING ARM (VERTICAL TAB)

Requirement

Clearance between bottom of vertical tab blocking lever and top of vertical tab slide
 Min 0.005 inch---Max 0.045 inch

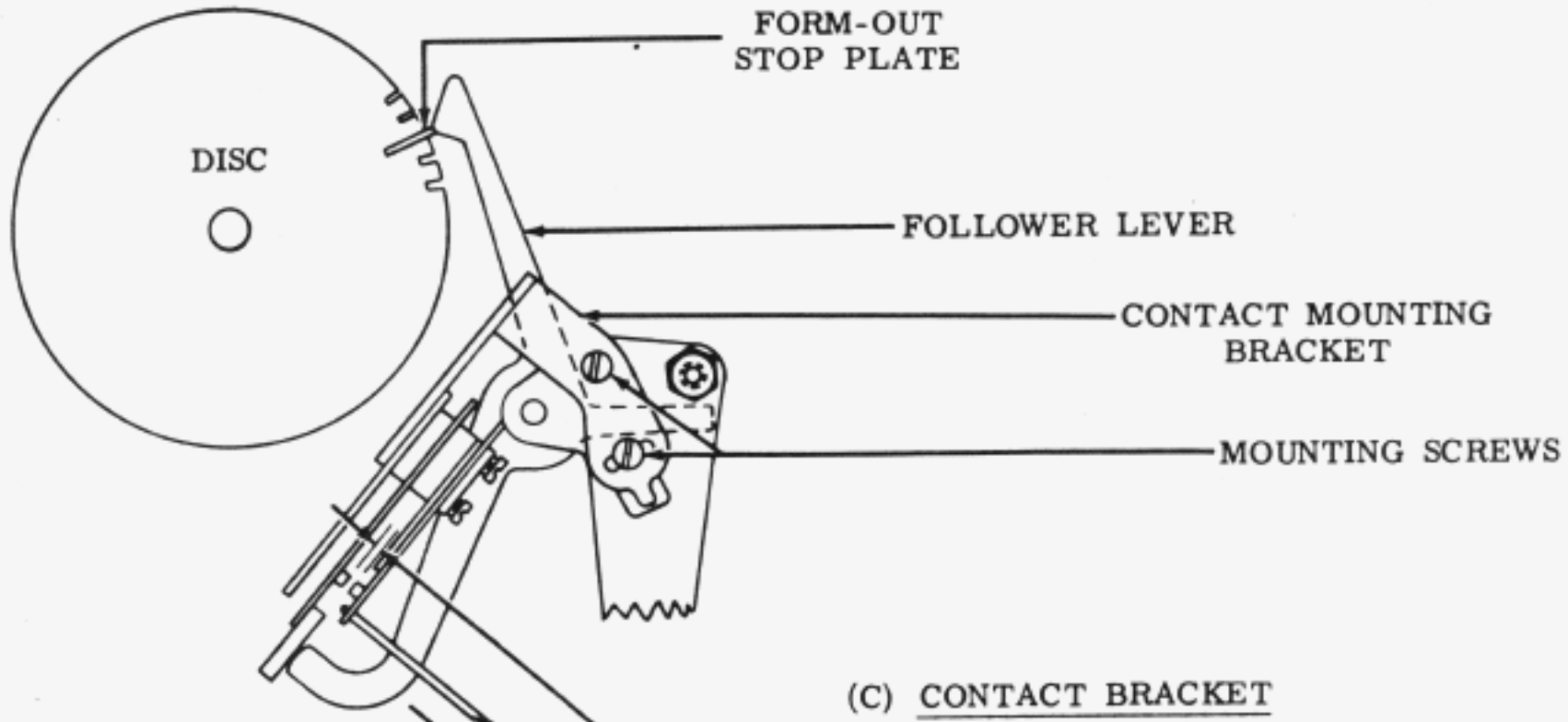
To Check

Trip line feed clutch. Rotate main shaft until vertical tab follower is on peak of tab stop plate.

To Adjust

Position adjustable arm at upper pry points with clamp screw loosened.

3.06 Vertical Tabulator Mechanism (continued)
 (For Bell System Switched Network Service) (Off Normal Contact Adjustments)



(Left Side View)

(C) CONTACT BRACKET

Requirement

Follower lever on peak of a form-out stop plate. Clearance between contact points

Min 0.010 inch---Max 0.020 inch

To Adjust

Position contact assembly bracket with mounting screws friction tight.

(A) SHORT CONTACT SPRING

Requirement

Follower lever operated.
 Min 2 oz---Max 3 oz
 to just move short contact spring away from stiffener. Bend short contact spring to meet requirement.

(B) LONG CONTACT SPRING

Requirement

Follower lever unoperated.
 Min 2 oz---Max 3 oz
 to just open contacts. Bend long contact spring to meet requirement.

(D) FOLLOWER LEVER

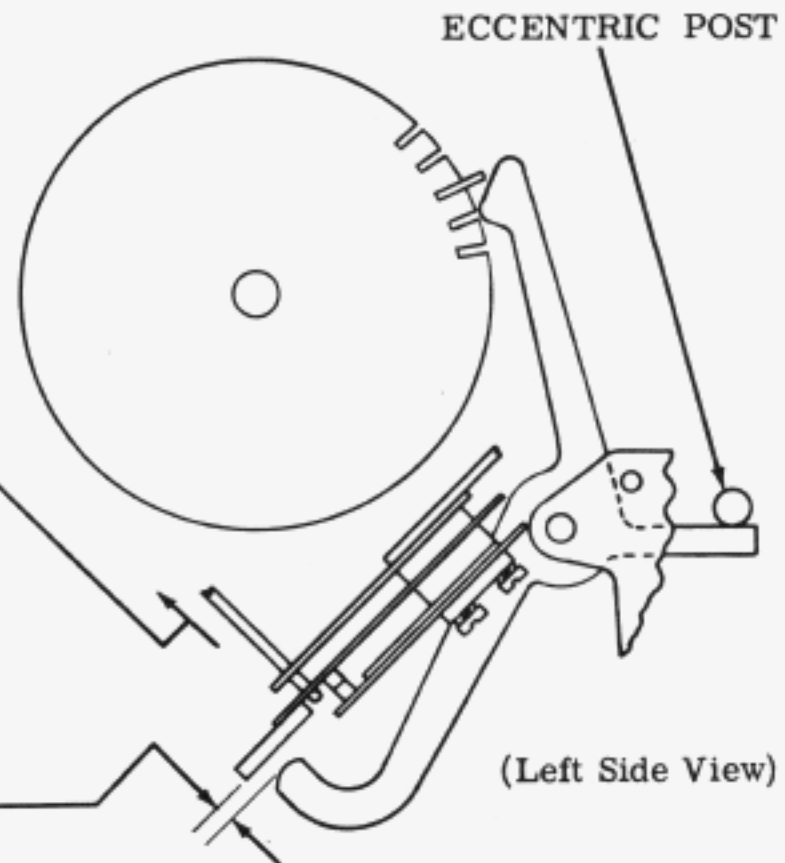
Requirement

Index disc rotated to bring form-out stop plate one slot away from operating position. Clearance between follower lever and insulator tip

Min 0.010 inch---Max 0.020 inch

To Adjust

Rotate eccentric post until requirement is met.



(Left Side View)

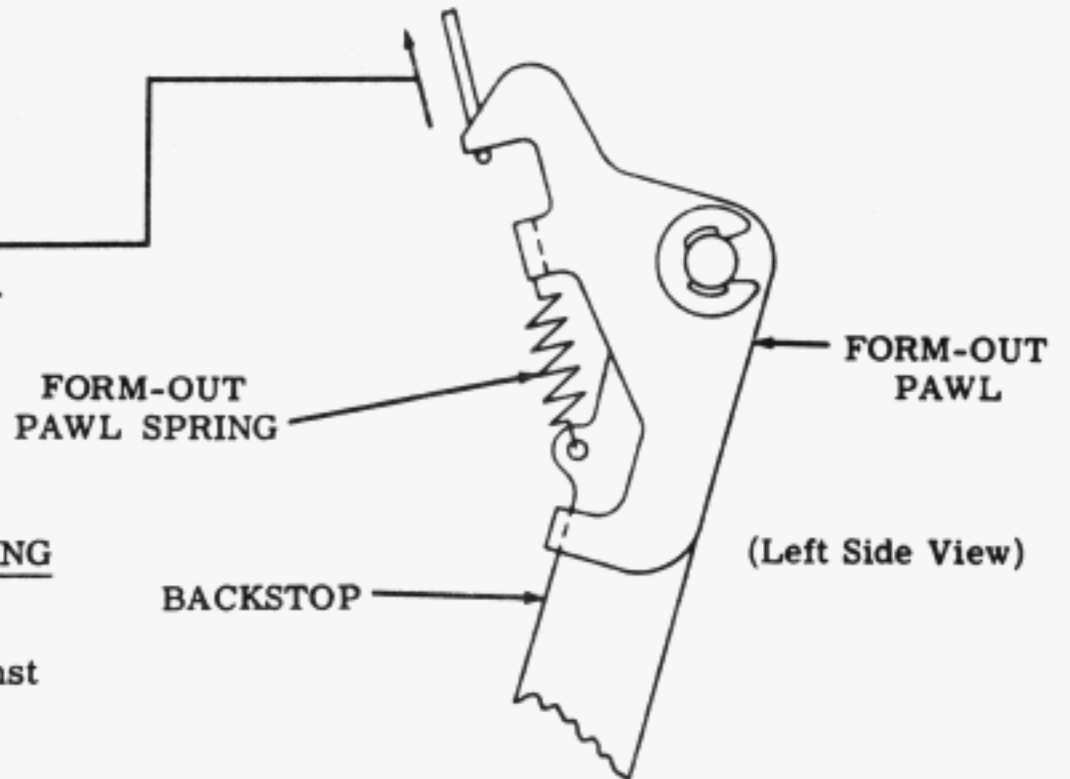
3.07 Vertical Tabulator Mechanism (continued)
(Common to 3.01 and 3.24)

FORM-OUT PAWL SPRING

Requirement

Form-out pawl extension resting against backstop.

Min 3 oz---Max 8 oz
to move pawl away from backstop.

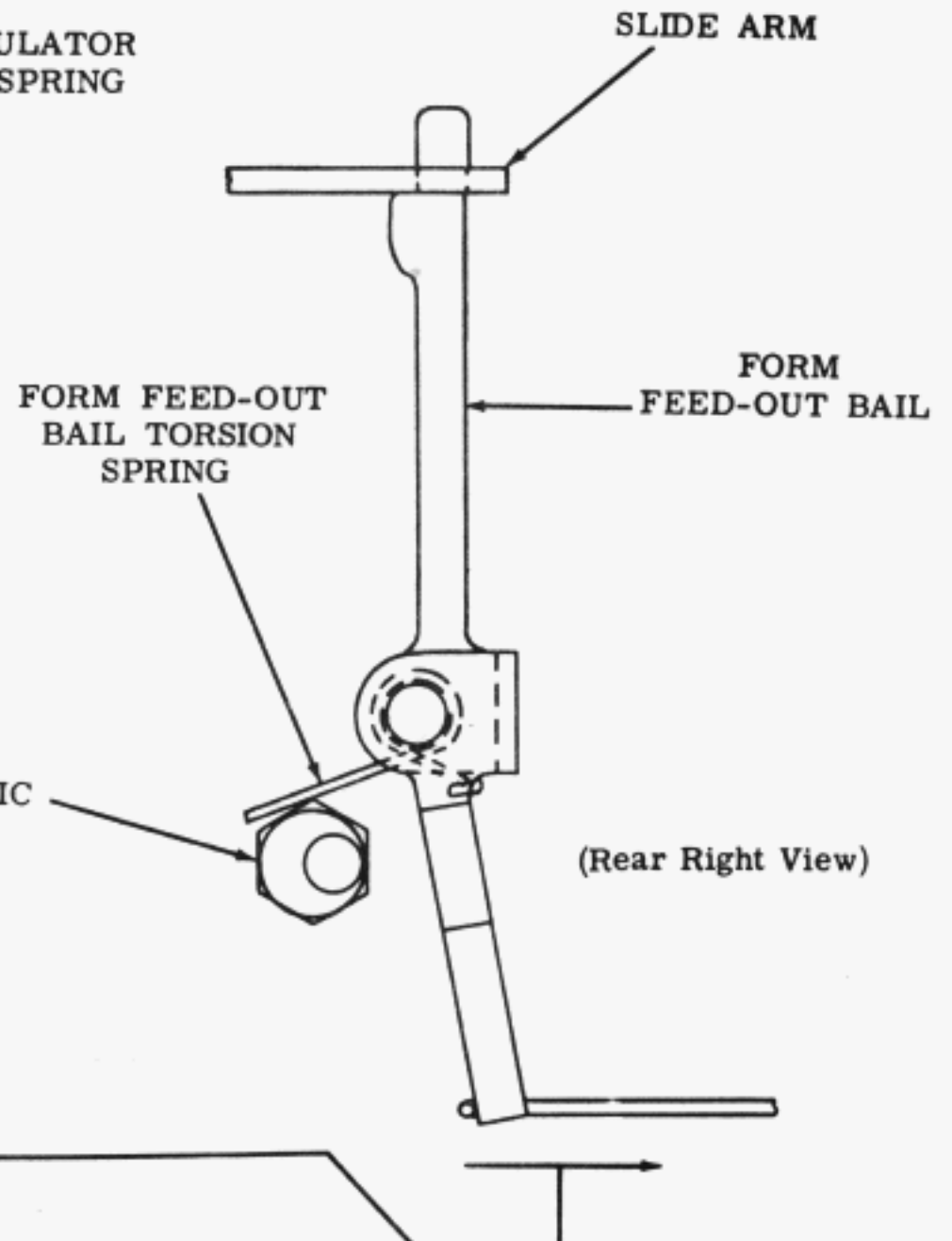
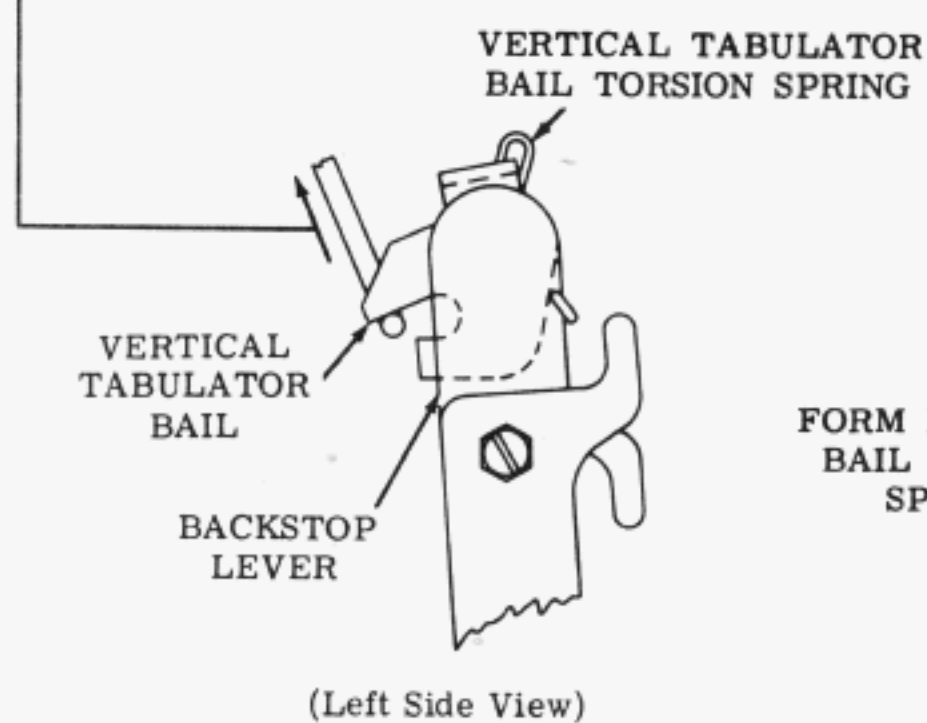


VERTICAL TABULATOR BAIL SPRING

Requirement

Extension of tab bail resting against backstop.

Min 3 oz---Max 8 oz
to move bail away from backstop.



FORM FEED-OUT TORSION SPRING

Requirement

Rotate main shaft until line feed clutch is in stop position. Disengage line feed clutch trip lever.

Min 2 oz---Max 6 oz
to start bail moving toward rear of unit.

3.08 Form-Out Mechanism

(A) FORM-OUT LEVER BACKSTOP

Requirement

Line feed clutch trip lever against eccentric post. Form-out lever against formed extension of mounting plate. Clearance between trip lever and form-out lever
Min some---Max 0.010 inch

To Adjust

Loosen adjusting screw. Hold lower end of form-out lever against extension of mounting plate. Position upper end of form-out lever. Tighten screw.

(B) SOLENOID LEVER (See also 3.09.)

Requirement

When solenoid plunger is seated, form-out slide, through combined motions of nonrepeat slide, form-out lever and form-out bail, should have moved forward to permit form-out blocking lever to fall in behind it. Clearance between slide and blocking lever
Min 0.020 inch---Max 0.030 inch

To Adjust

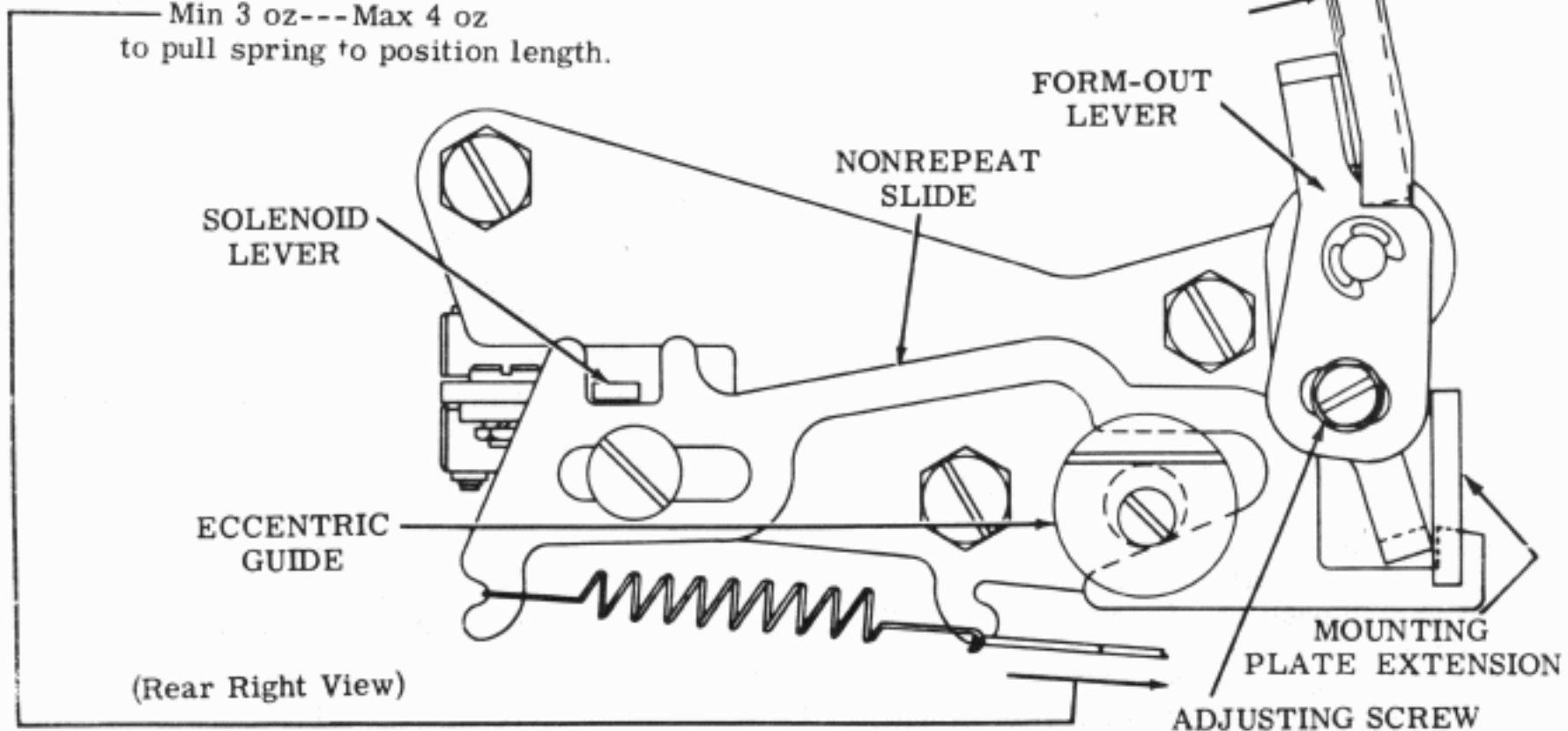
Rotate eccentric screw to meet requirement. Make adjustment with high point of eccentric guide upward.

(C) FORM FEED-OUT NONREPEAT SLIDE SPRING

Requirement

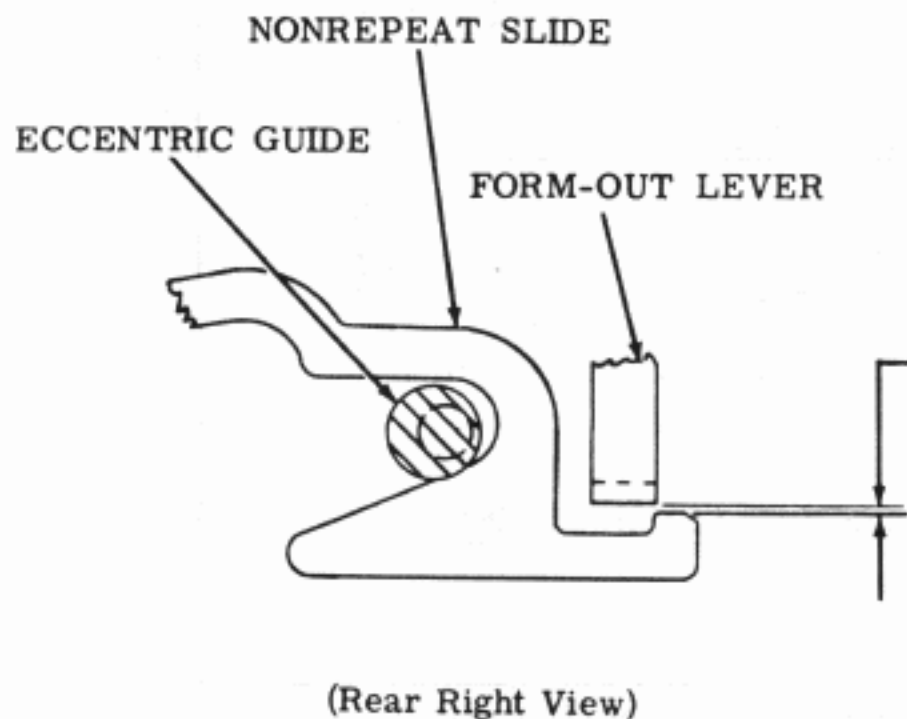
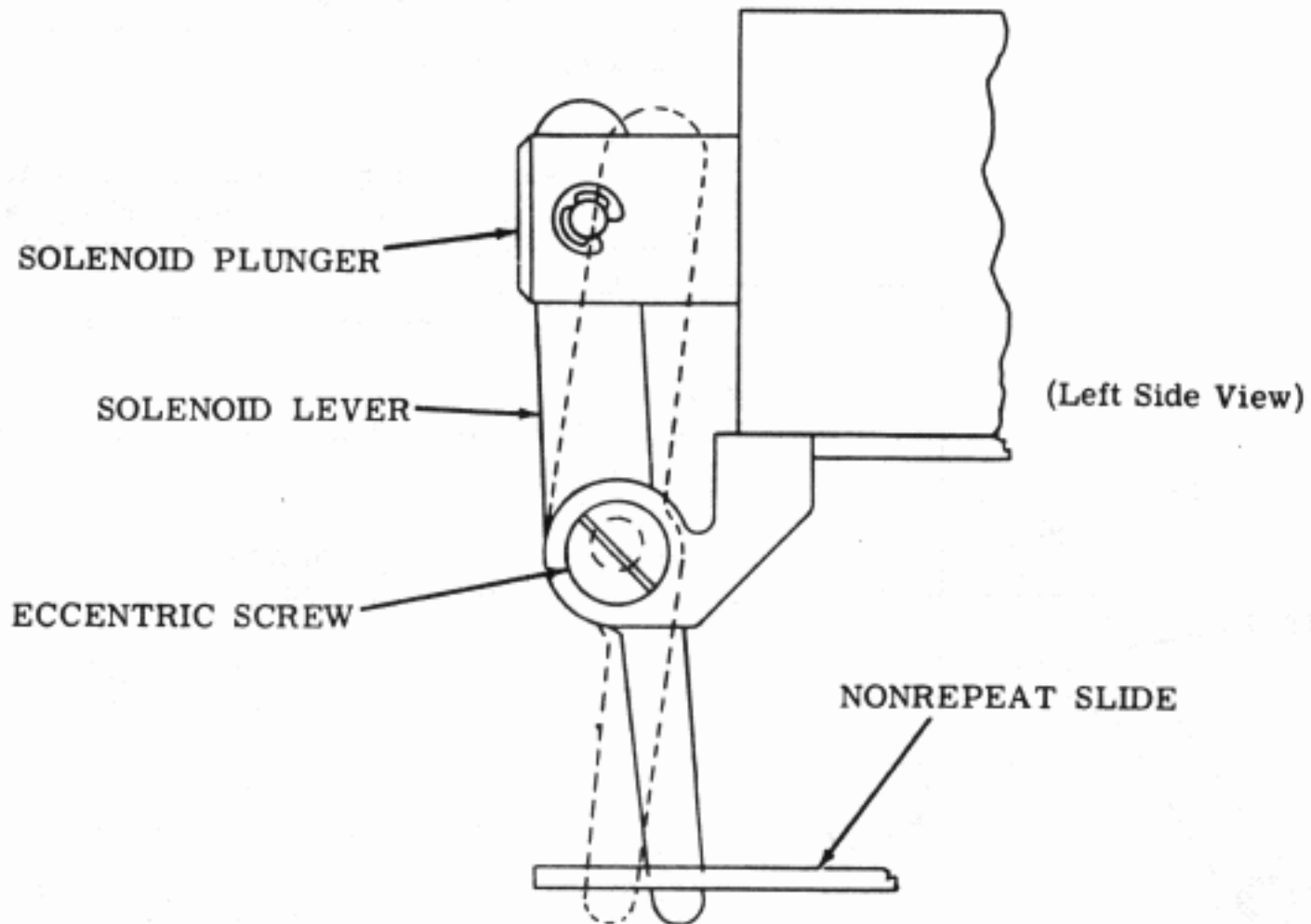
Typing unit upside down and form feed-out solenoid unoperated

Min 3 oz---Max 4 oz
to pull spring to position length.



3.09 Form-Out Mechanism (continued)

Note: This adjustment insures that nonrepeat slide is stripped out of engagement with form-out lever before solenoid plunger is fully seated. It will also reduce the Min 0.020 inch---Max 0.030 inch clearance between form-out blocking lever and form-out slide, 3.08 (B), at point of stripping. Check for at least some clearance at this point. Solenoid plunger must not bind against solenoid. Loosen mounting screws and move solenoid up or down.



NONREPEAT SLIDE

(See also 3.08 (B).)

Requirement

Solenoid plunger seated. There should be some clearance between the nonrepeat slide and the form-out lever.

To Adjust

With high point of eccentric toward front, rotate eccentric guide to meet requirement.

3.10 Low Paper and Paper Out Alarm Mechanisms

LOW PAPER AND PAPER OUT ALARM
(SPROCKET FEED)

(1) Requirement

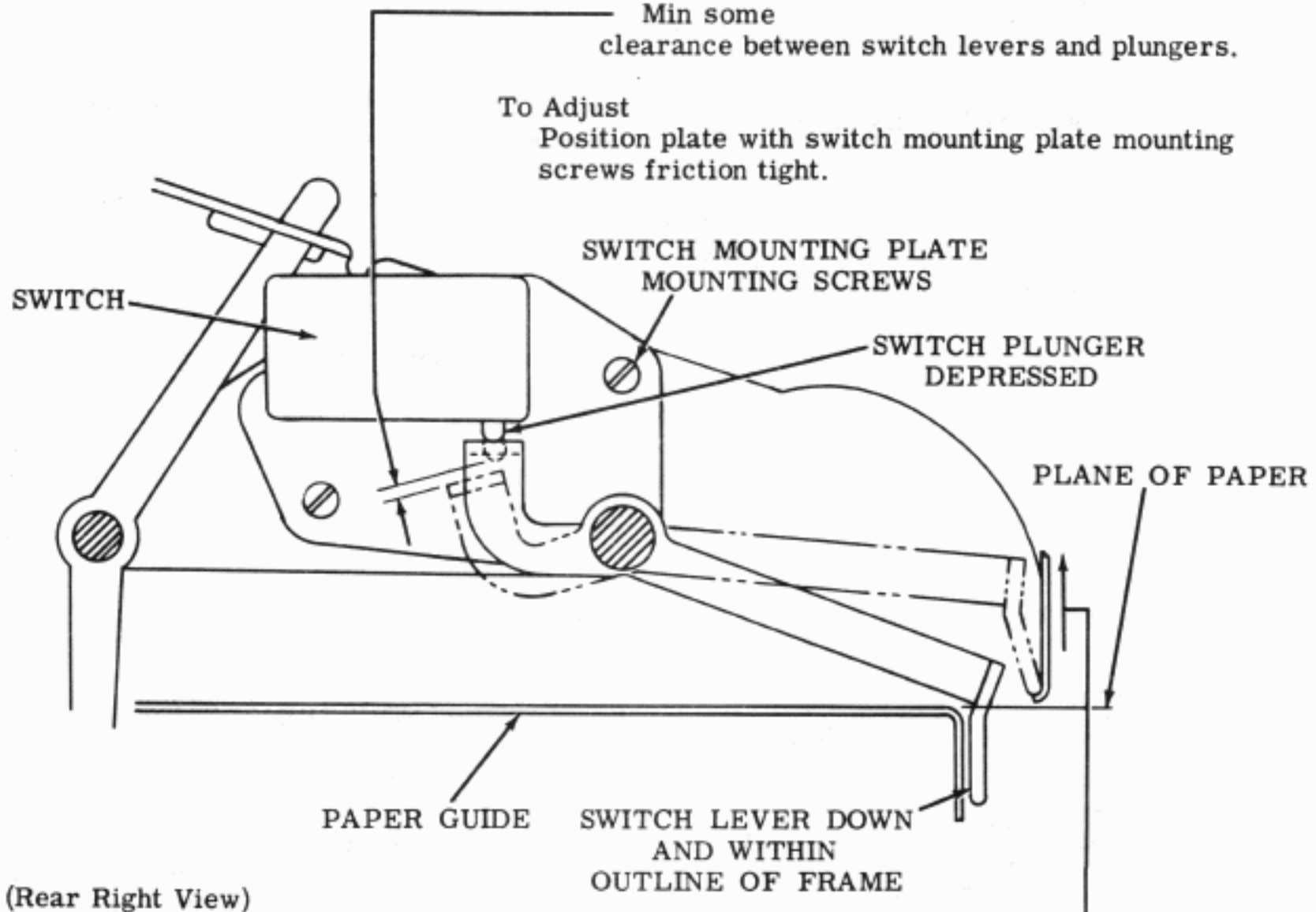
Without paper in unit, rear ends of switch operating levers should be in lowermost position. Switch plungers should be depressed. Normally open contacts should be closed. Ends of switch levers should be within outline of typing unit frame.

(2) Requirement

Rear ends of switch operating levers lifted to height of plane of upper surface of paper guide, switch plungers should be extended.

Min some clearance between switch levers and plungers.

To Adjust
Position plate with switch mounting plate mounting screws friction tight.



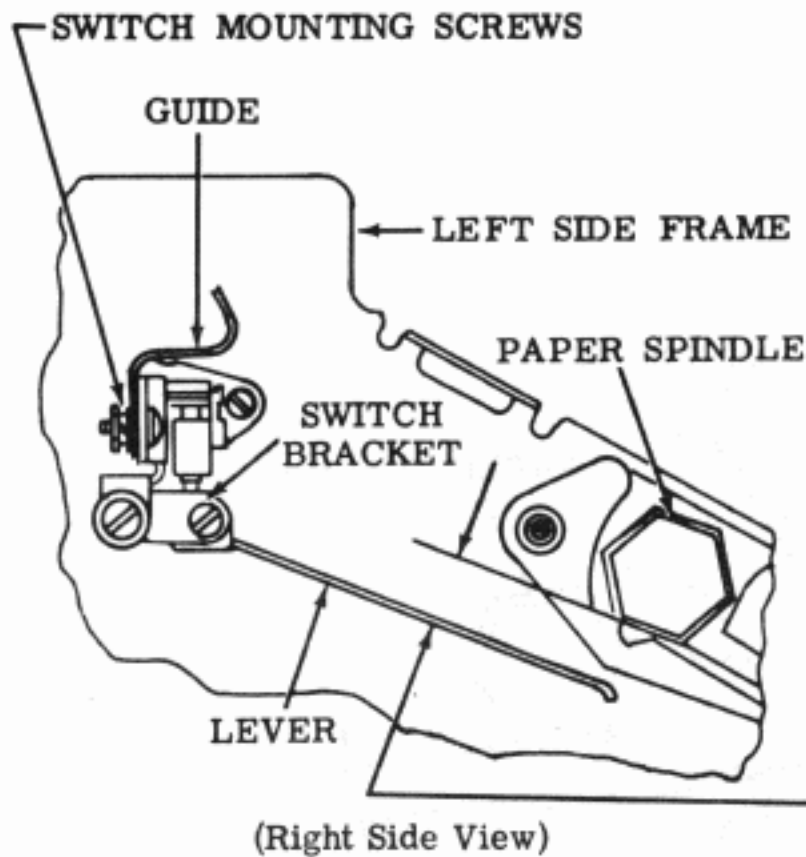
PAPER OUT ALARM SENSING LEVER SPRING
(SPROCKET FEED)

Requirement

Min 1/2 oz---Max 1 oz _____
to lift end of lever, which rides paper, to same plane as upper surface of paper guide. Measure both sensing lever springs in same manner.

3.11 Paper Out Alarm Mechanism (continued)
(Friction Type) (Later Design)

Note: Adjustment requirements for the new-style paper-out alarm.



SWITCH

Requirement

Switch in uppermost position parallel to switch bracket.

To Adjust

Position switch with switch mounting screws loose.

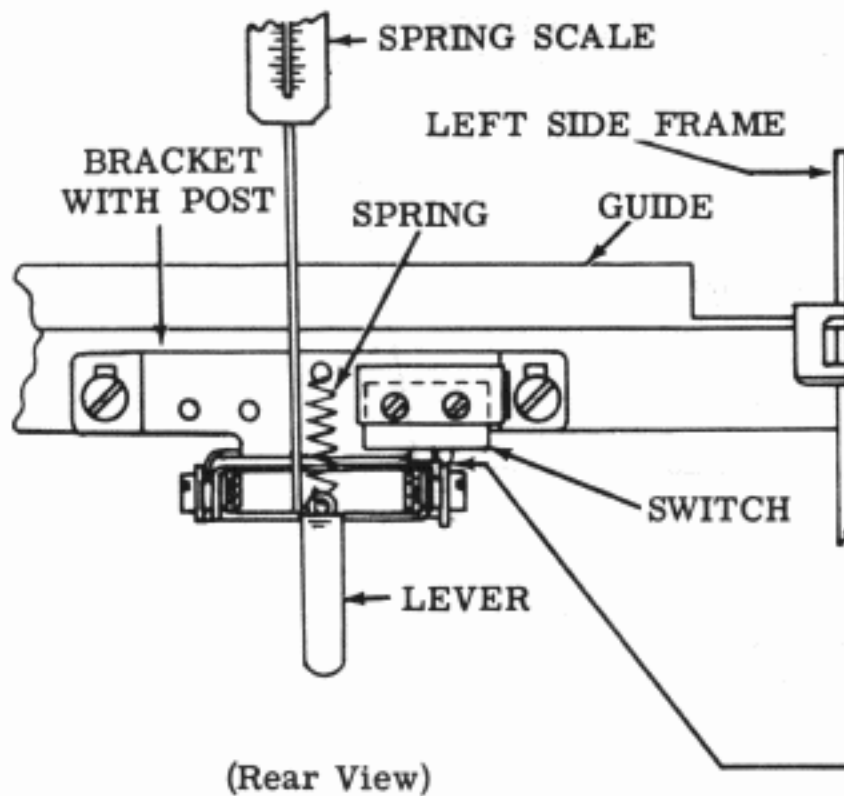
LEVER

Requirement

Flat side of empty paper spindle parallel with upper surface of lever extension. Lever 1/4 inch below paper spindle.

To Adjust

Position bracket with post vertically up or down with mounting screws loose. If necessary, form the lever by hand.



LEVER SPRING

Requirement

Spring scale applied in downward direction to lever near spring eye
Min 11 oz---Max 18 oz
to move switch lever clear of switch button.

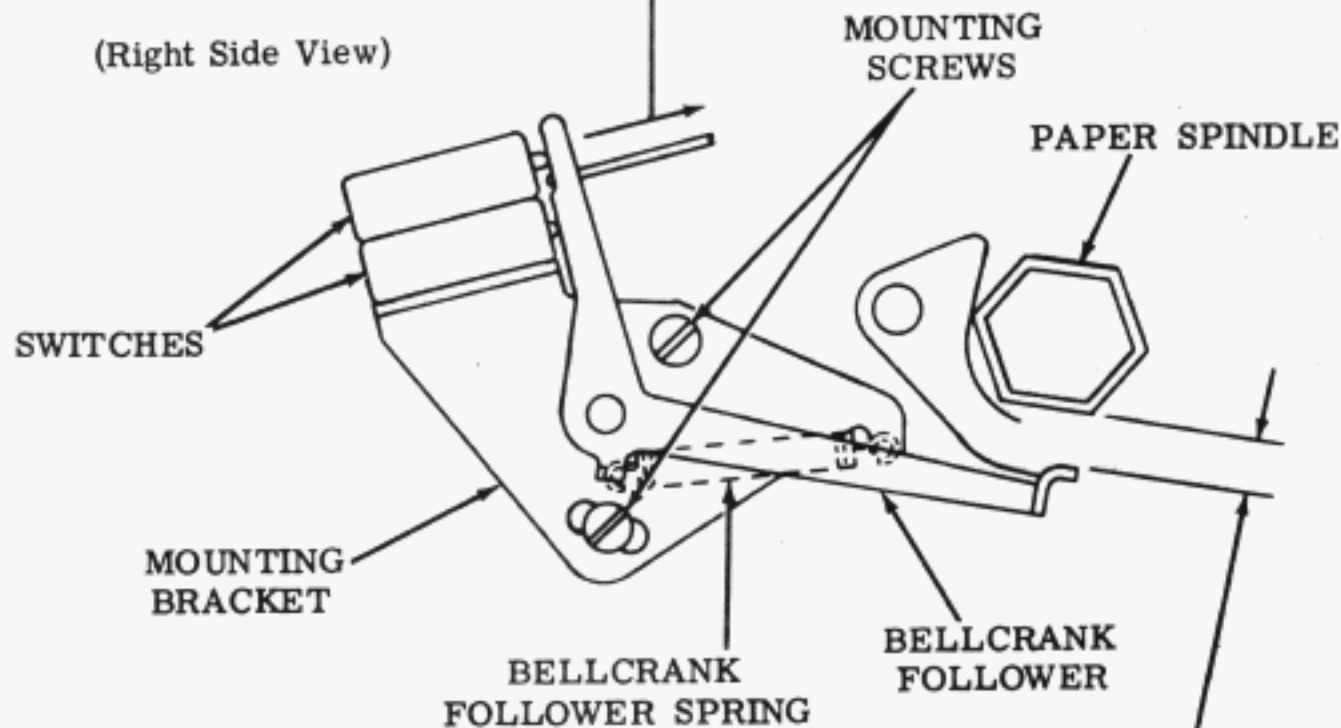
3.12 Low Paper and Paper Out Alarm Mechanism (continued)

PAPER OUT ALARM BELLCRANK FOLLOWER
SPRING (FRICTION FEED) (Early Design)

Requirement

Roll of paper removed from unit.

Min 3-1/2 oz---Max 4-1/2 oz
to move lever far enough to just clear
lower switch.



PAPER OUT ALARM ASSEMBLY (FRICTION FEED)

(1) Requirement (Early Design)

The upper switch should operate when paper
supply is reduced to approximately

Min 10 feet---Max 15 feet
on the roll.

(2) Requirement

Paper follower bellcrank should operate upper
switch at approximately 1/4 inch from flat
side of empty paper spool.

To Adjust

Position bracket with two bracket mounting screws
friction tight.

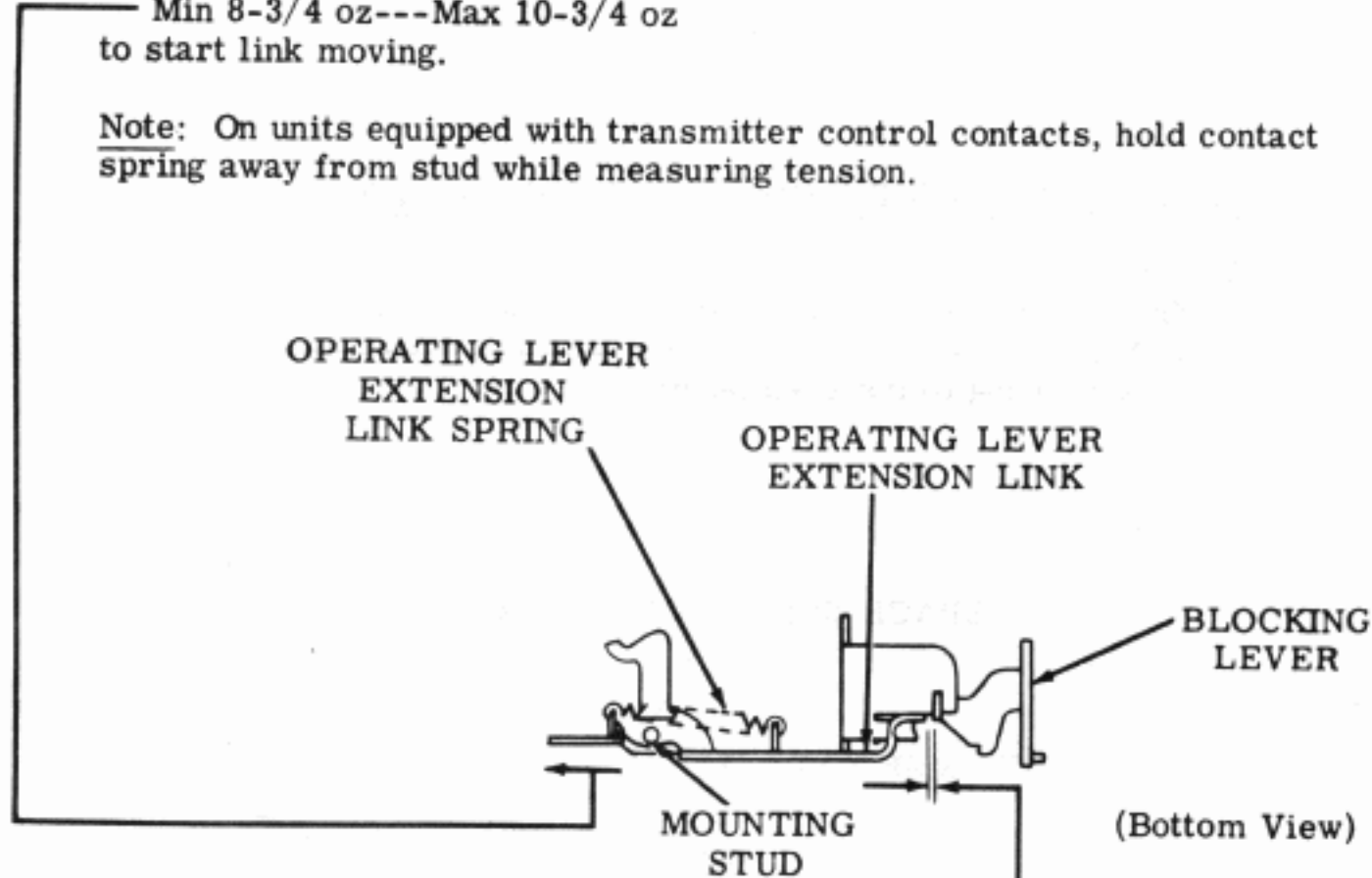
3.13 Horizontal Tabulator Mechanism

HORIZONTAL TAB OPERATING LEVER EXTENSION LINK SPRING**Requirement**

Unhook trip arm latchlever spring. Operating lever in operated position
Slide arm against blocking lever.

Min 8-3/4 oz---Max 10-3/4 oz
to start link moving.

Note: On units equipped with transmitter control contacts, hold contact
spring away from stud while measuring tension.

HORIZONTAL TAB OPERATING LEVER LINK**Requirement**

Rotate function clutch until function pawl stripper
blade is in lower position, and function reset bail
roller on high part of cam. Pull horizontal tab
function pawl to rear until latched on function
bar. Clearance between operating lever extension
link and blocking lever

Min 0.005 inch---Max 0.025 inch
with play taken up to minimize clearance.

To Adjust

Position extension link on operating lever with
mounting stud friction tight.

Note: When pulling function pawl to rear, if
operating lever cam plate should be stripped
off the tab slide arm before function pawl is
latched on function bar, temporarily disable
cam plate stripper bail arm by loosening its
adjusting screw.

3.14 Horizontal Tabulator Mechanism (continued)

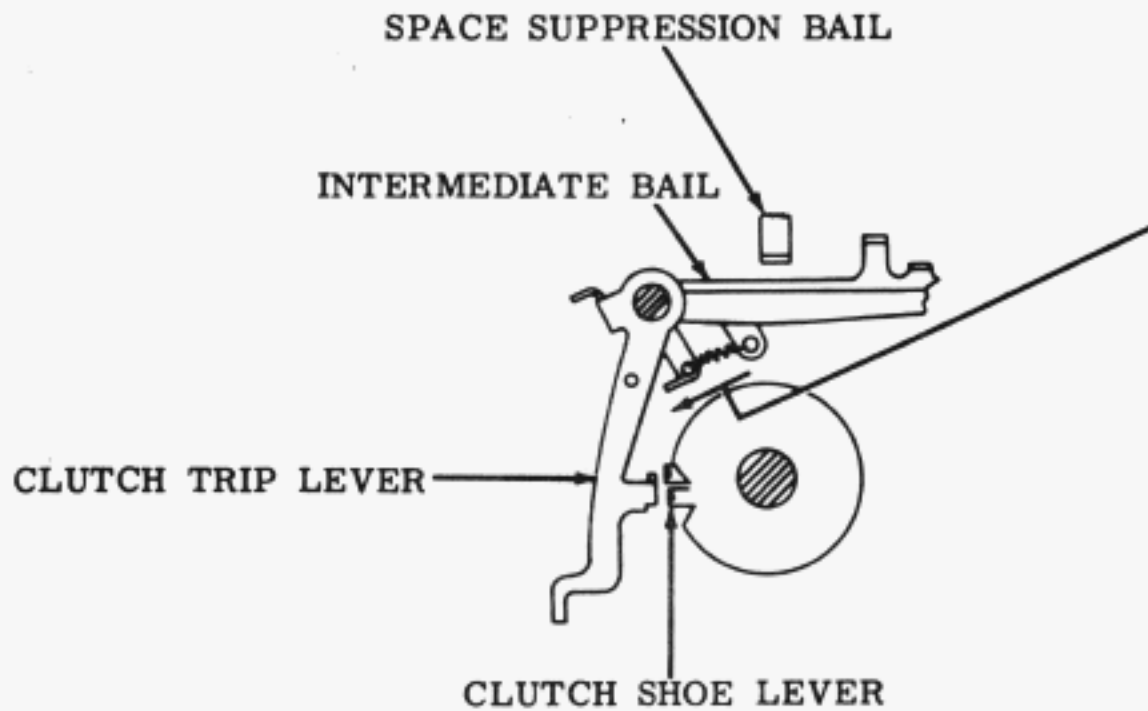
HORIZONTAL TAB INTERMEDIATE BAIL SPRING

Requirement

Trip lever arm and intermediate bail unoperated

Min 1-1/2 oz---Max 3-1/2 oz

to pull spring to installed length.



(Left Side View)

3.15 Horizontal Tabulator Mechanism (continued)

(B) HORIZONTAL TAB SPACING TRIP LEVER

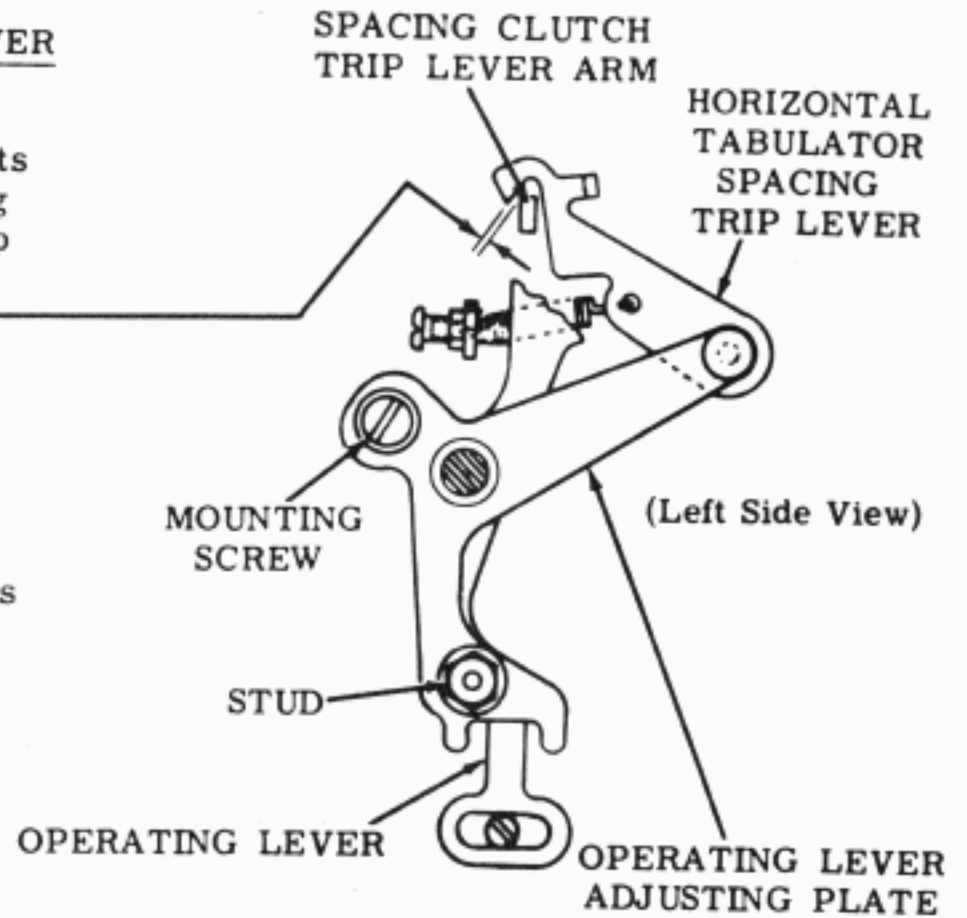
Requirement

Spacing clutch trip lever arm against its stop. Operating lever against adjusting screw. Clearance between spacing trip lever and trip lever arm

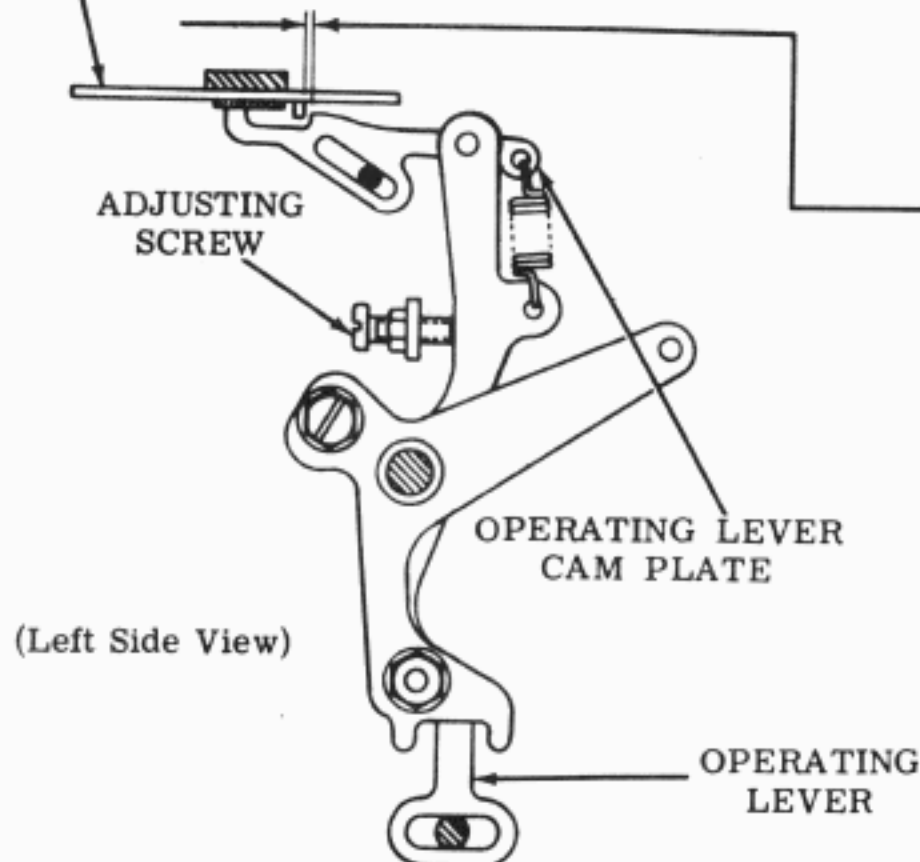
Min some---Max 0.010 inch

To Adjust

Loosen mounting screw and mounting stud friction tight. With spacing trip lever riding on clutch trip lever arm, slowly rotate operating lever adjusting plate by means of screwdriver pry slots until spacing trip lever just falls off trip lever arm.



HORIZONTAL TABULATOR SLIDE ARM



(A) HORIZONTAL TAB OPERATING LEVER CAM PLATE

(1) **Requirement**

Horizontal tab slide arm unoperated. Operating lever against adjusting screw. Clearance between slide arm and cam plate

Min some

(2) **Requirement**

With the operating lever extension link in the unoperated position, it should engage at least 2/3 of the surface of the step in the blocking lever, as gauged by eye.

To Adjust

Position adjusting screw.

3.16 Horizontal Tabulator Mechanism (continued)

HORIZONTAL TAB OPERATING LEVER
CAM PLATE SPRING

Requirement

Operating lever unoperated.
Horizontal tab function pawl
unlatched.

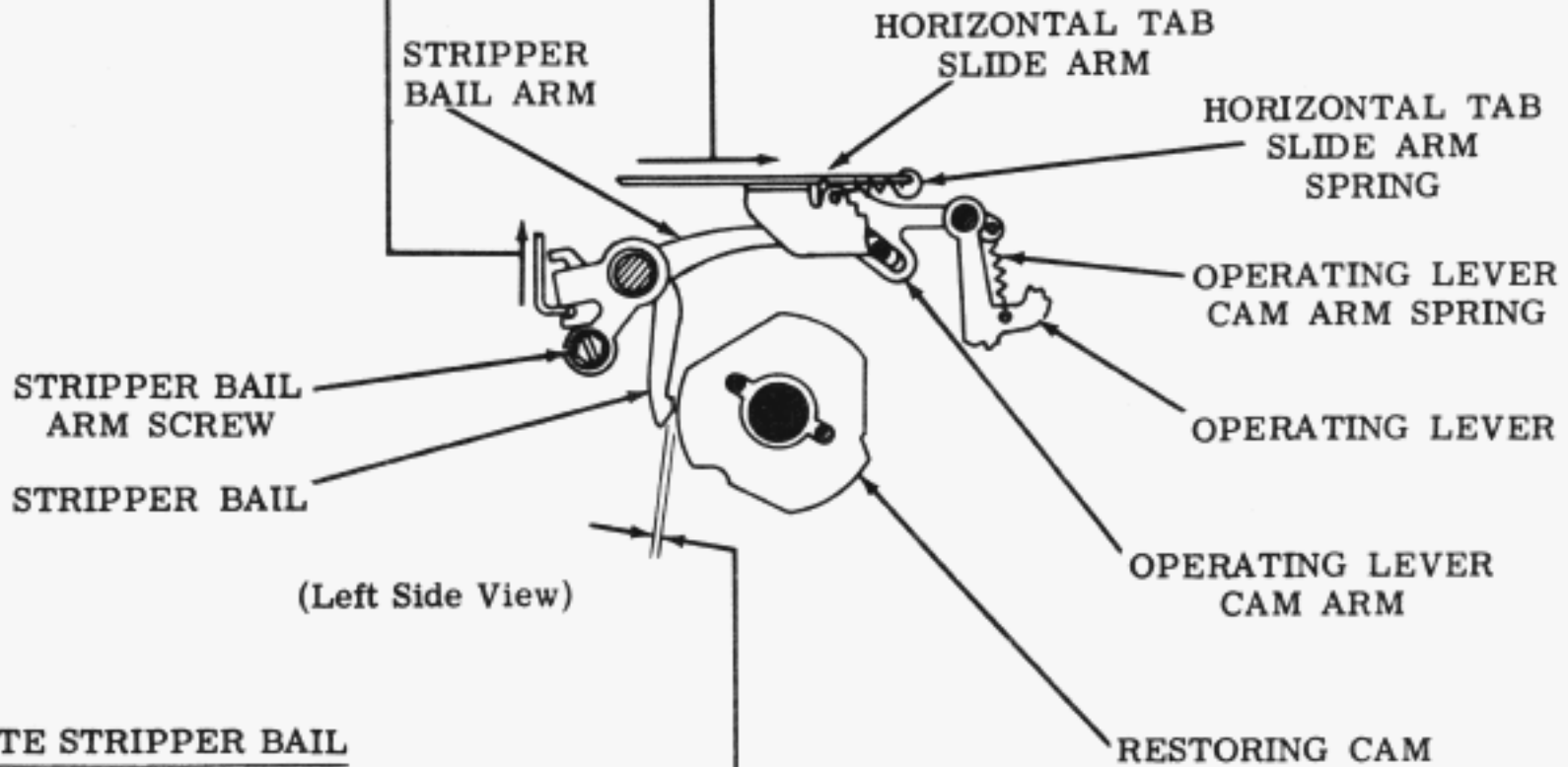
Min 4 oz---Max 9 oz
to start stripper bail moving.

HORIZONTAL TAB SLIDE ARM SPRING

Requirement

Operating lever operated. Slide arm
unoperated.

Min 1-1/2 oz---Max 4 oz
to start slide moving.



(Left Side View)

CAM PLATE STRIPPER BAIL

Requirement

Operating lever and horizontal tab
slide arm unoperated. Rotate spacing
clutch until high of restoring cam is
opposite stripper bail. Clearance
between stripper bail and high of re-
storing cam

Min 0.010 inch---Max 0.025 inch

To Adjust

Position stripper bail on stripper
bail arm with stripper bail arm
screw friction tight.

3.17 Horizontal Tabulator Mechanism (continued)

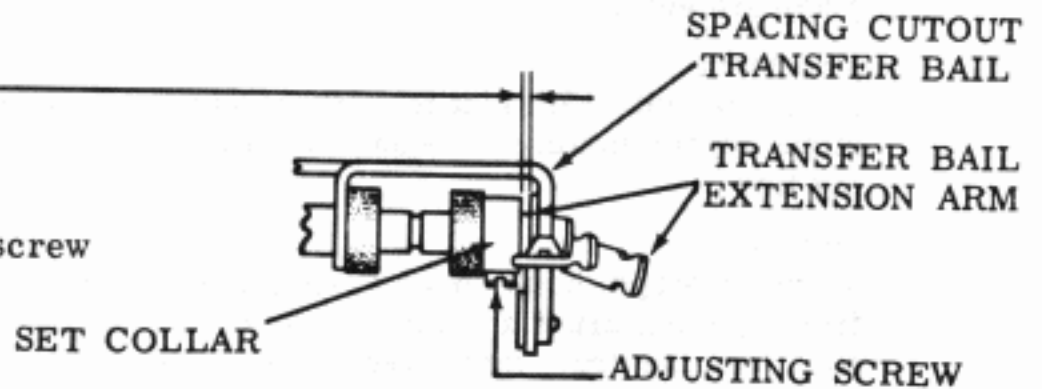
(A) SPACING CUTOUT TRANSFER BAIL SET COLLAR

Requirement

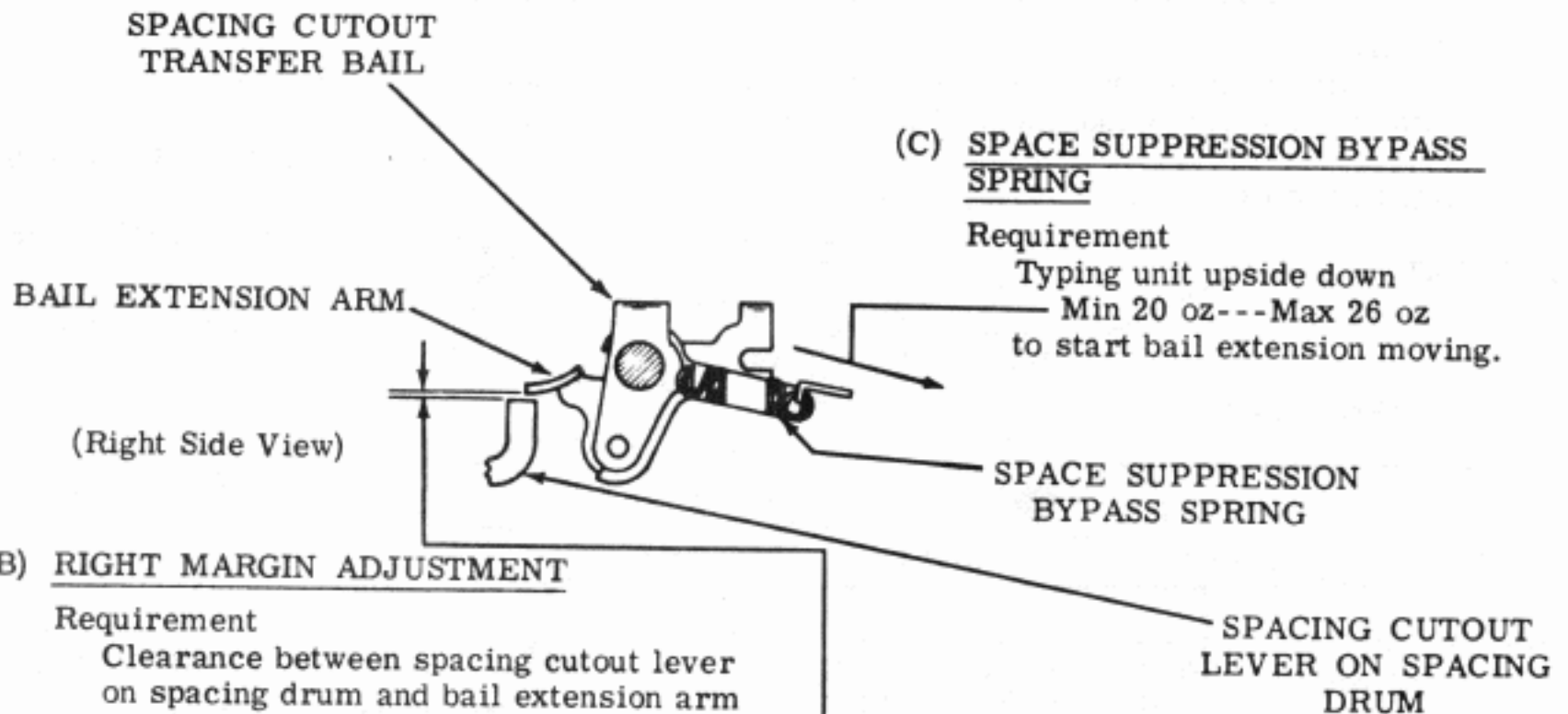
Transfer bail should have
Min some---Max 0.008 inch
endplay.

To Adjust

Position set collar with adjusting screw
loosened.



(Bottom View)



(B) RIGHT MARGIN ADJUSTMENT

Requirement

Clearance between spacing cutout lever
on spacing drum and bail extension arm
Min 0.006 inch---Max 0.025 inch

To Check

Place typebox in position to print character on which spacing cutout is desired. Pull forward on part of transfer bail extending below mounting shaft until bail is in fully operated position. Gauge clearance.

To Adjust

Position cutout lever with clamp screws loosened.

Note: Four screws must be loosened to adjust cutout lever (see figure in 2.56). Do not loosen hex head screw that clamps front ring.

(C) SPACE SUPPRESSION BYPASS SPRING

Requirement

Typing unit upside down
Min 20 oz---Max 26 oz
to start bail extension moving.

SPACE SUPPRESSION BYPASS SPRING

SPACING CUTOUT LEVER ON SPACING DRUM

3.18 Horizontal Tabulator Mechanism (continued)

TABULATOR PAWL (PRELIMINARY)

Note: Prior to adjustment, check LEFT MARGIN (2.55) and SPACING GEAR PHASING (2.29) adjustments.

(1) Requirement

Beginning with 15th slot (counterclockwise from roller on slotted ring), position tab stops approximately an equal number of slots apart over remaining length of printing line.

To Adjust

To move stops, hook small spring hook in hole of stop. Pull tab stop straight out from spacing drum and slide it on garter spring while continuing to pull it straight out. Spacing drum may have to be rotated manually to facilitate locating stops in some slots.

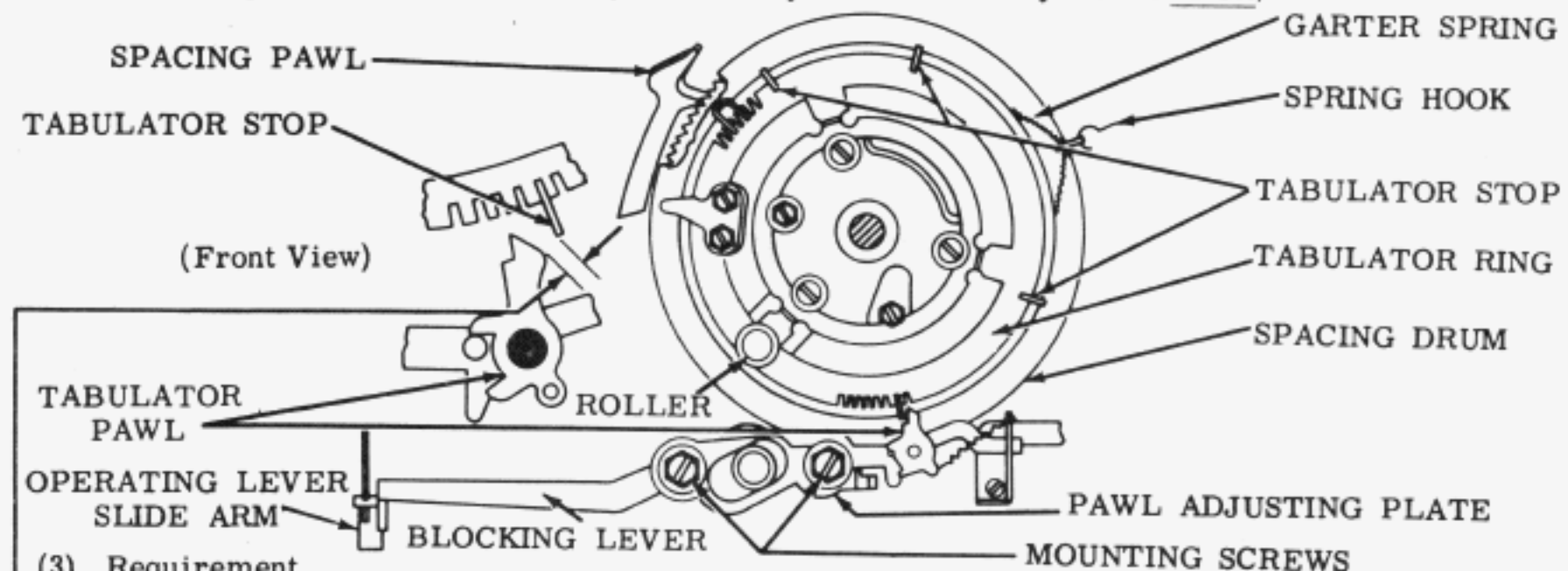
CAUTION: CHECK THAT ALL STOPS ARE FULLY SEATED IN SLOTS, AND NOT TURNED SIDEWAYS.

(2) Requirement

All clutches disengaged. Front spacing feed pawl in lower position, pawl adjusting plate should be positioned at center of vertical and horizontal adjustments.

To Adjust

Vertically position with both right and left screws loosened. Horizontally position with only left screw loosened. (Vertical adjustment is always made first.)



(3) Requirement

Disengage spacing feed pawls. Let spacing drum return to maximum counterclockwise position. Keep spacing clutch disengaged manually. Advance spacing drum until first stop is immediately left of pawl.

To Adjust

Adjust horizontal position of pawl adjusting plate so tabulator stop is in line with left edge of shoulder on pawl.

(4) Requirement

With blocking lever and operating lever extension link unblocked, disengage spacing feed pawls and let spacing drum move back exactly 2 full spaces. Both spacing feed pawls should be fully engaged.

To Adjust

With extension link blocked by blocking lever, gauge clearance between slope on pawl and tab stop. Note clearance. Advance drum until next stop is just left of tab pawl. Let spacing drum move back two full spaces. With extension link blocked by blocking lever, gauge and note clearance as before. Repeat procedure for remaining three stops. Note stop that gives maximum clearance. Use this stop as reference stop for final vertical and horizontal adjustments.

3.19 Horizontal Tabulator Mechanism (continued)

TABULATOR PAWL VERTICAL ADJUSTMENT (FINAL)

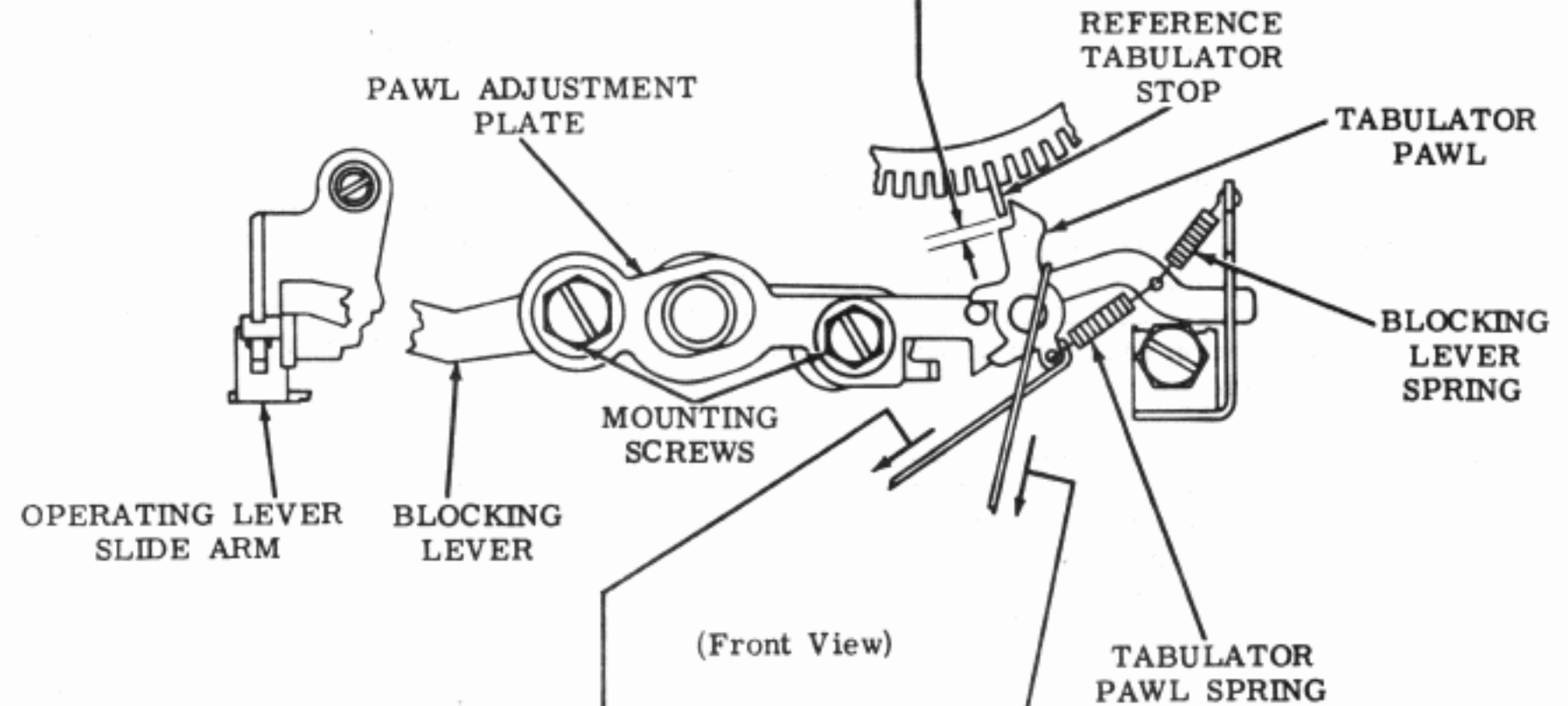
Requirement

Using stop with maximum clearance (determined by preliminary adjustment), position spacing drum until tab stop is opposite shoulder on tab pawl. With operating lever extension link blocked by blocking lever

Min 0.055 inch---Max 0.075 inch
clearance between tab stop and tab pawl.

To Adjust

Position pawl adjusting plate with both screws loosened. Tighten right screw only, using wrench to hold bushing from turning.



HORIZONTAL TAB PAWL SPRING

Requirement

Tab pawl unoperated
Min 3 oz---Max 5 oz
to start pawl moving.

HORIZONTAL TAB BLOCKING LEVER RETURN SPRING

Requirement

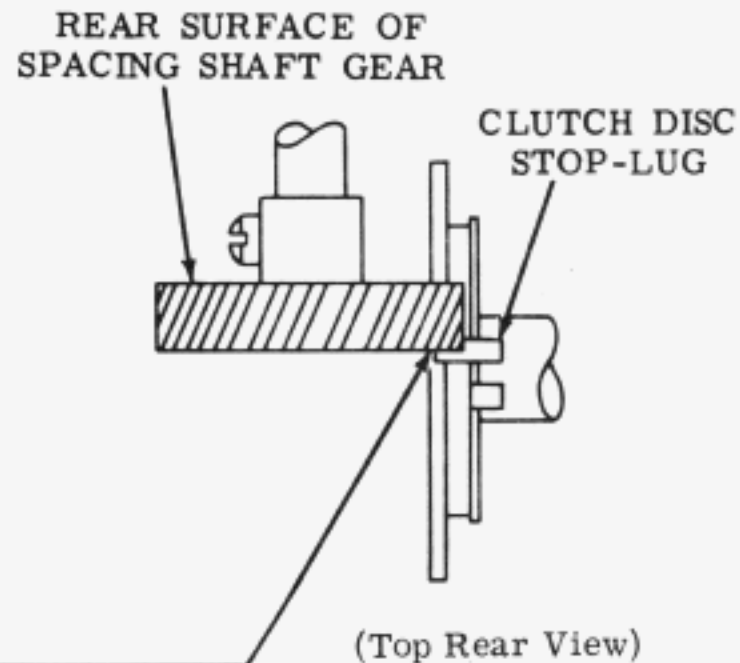
Operating lever slide arm held to rear
Min 2-1/2 oz---Max 4-1/2 oz
to start lever moving.

3.20 Horizontal Tabulator Mechanism (continued)

TABULATOR PAWL HORIZONTAL ADJUSTMENT

Requirement

All clutches disengaged. Front spacing feed pawl in lower position. Position spacing drum so tab stop with maximum clearance (as determined by preliminary adjustment) is immediately left of pawl. Operating lever extension link forward in unblocked position. Disengage feed pawls, let spacing drum move back one full space. Both feed pawls should be fully engaged. Pull back extension link to blocked position on blocking lever. Trip spacing clutch stop lever and slowly rotate main shaft and spacing clutch until blocking lever is just tripped, allowing extension link to move forward. At this point, some portion of clutch disc stop-lug should be aligned with rear surface of spacing shaft gear. Take up play in spacing shaft towards rear of unit.

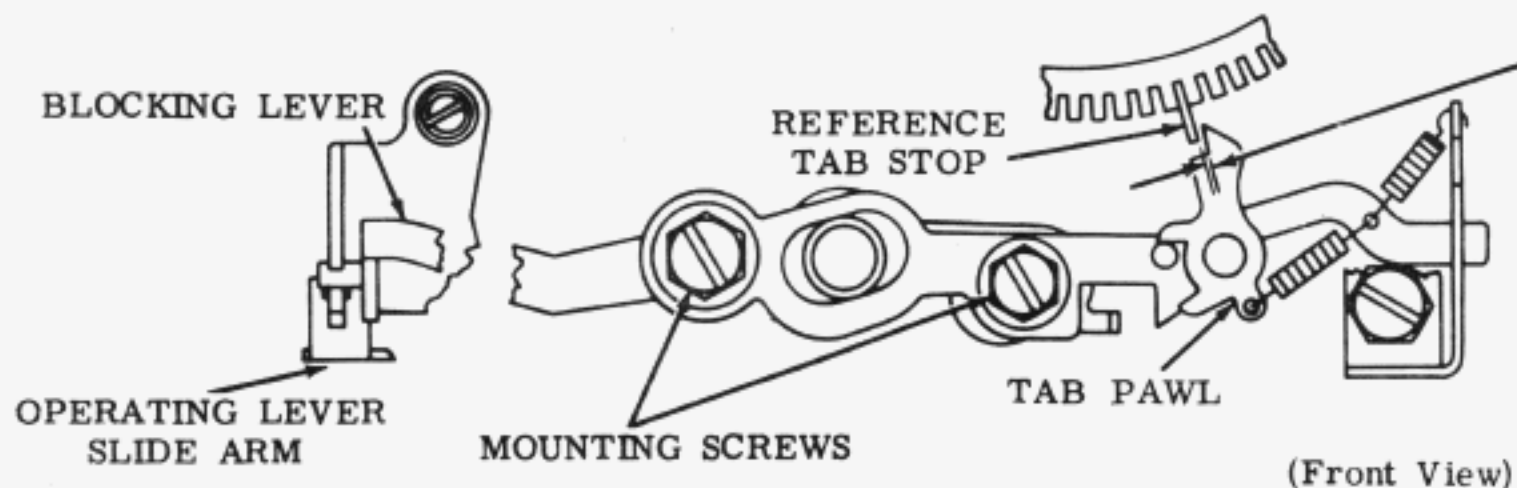


To Adjust

Trip spacing clutch and rotate clutch until middle of stop-lug is in line with rear surface of spacing shaft gear. If blocking lever trips too soon, first adjust the pawl adjusting plate to left until blocking lever can be placed in blocked position on extension link. Slowly move adjusting plate to right, with left screw loosened, until blocking lever just trips. When adjusting for trip-off point, take care that blocking lever is cammed down by tab stop and not pulled or pushed out of blocked position when prying adjusting plate. Recheck trip-off point against position of clutch stop-lug as before.

Note: After obtaining trip-off point of blocking lever, continue rotating spacing clutch to full stop position. Tab pawl should be right of tab stop. When extension link is moved to rear, blocking lever should move to blocked position. If tip of pawl should remain on end of tab stop, readjust pawl to right until there is

Min 0.003 inch---Max 0.008 inch _____
clearance between right surface on tab stop and left edge on pawl tip.



3.21 Horizontal Tabulator Mechanism (continued)

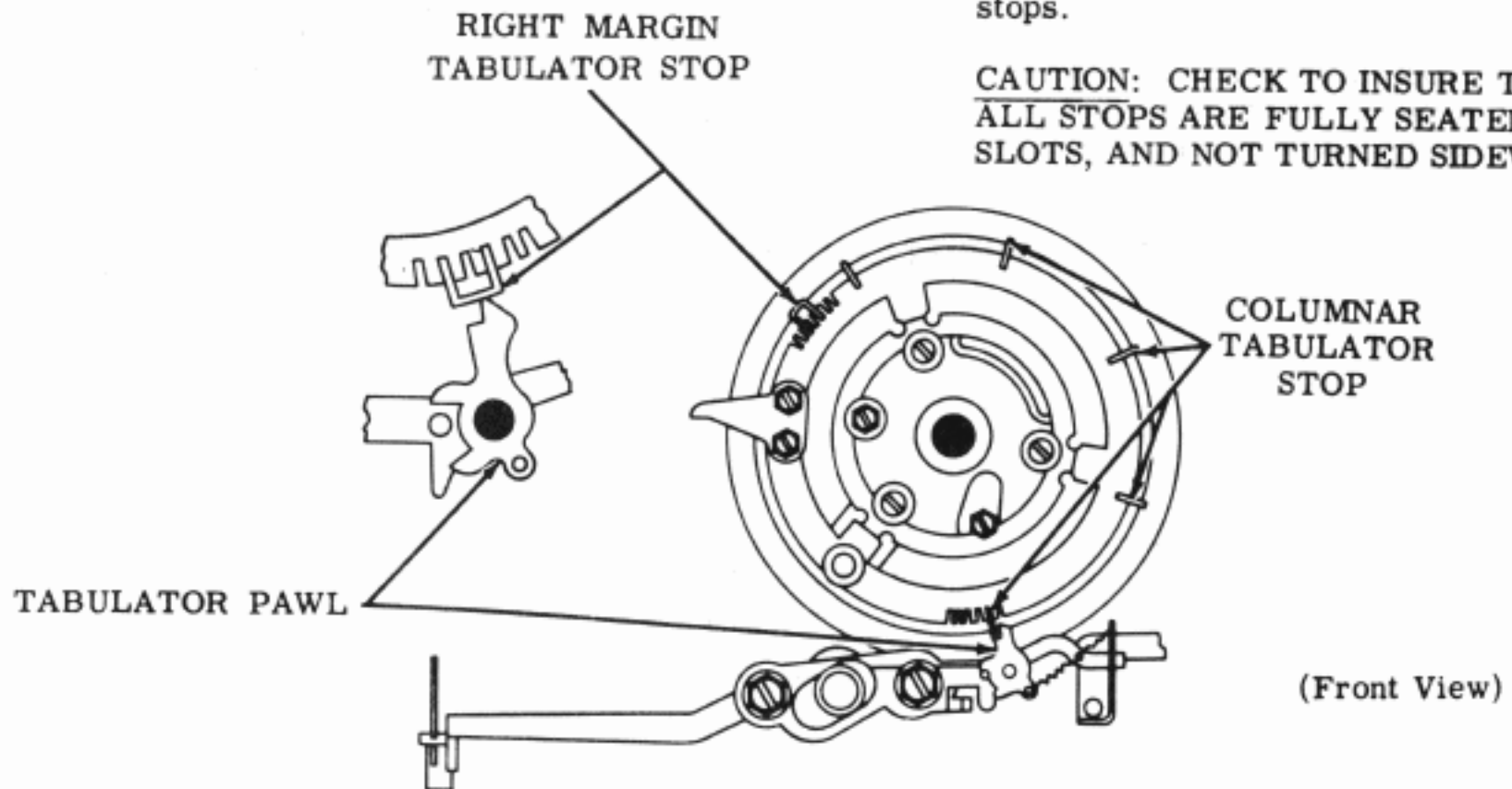
(C) RIGHT MARGIN TABULATOR STOP
(WITH WIDE SHELF)**Requirement**

Check right margin and tabulator pawl adjustments. Position printing carriage at right margin (spacing cutout operated). Insert stop with wide shelf in slot immediately to left of pawl. Shelf should extend to right so pawl rests on it.

(A) TABULATOR STOPS SETTING**Requirement**

To move stops, hook small spring hook in hole in stop and pull straight out from drum. Slide stop on spring while continuing to pull out from drum. Position drum to facilitate moving stops.

CAUTION: CHECK TO INSURE THAT ALL STOPS ARE FULLY SEATED IN SLOTS, AND NOT TURNED SIDEWAYS.

COLUMNAR TABULATOR STOPS**Requirement**

Place carriage in position to print first character in column. Insert stop in slot immediately to left of tab pawl. To facilitate installation, mark desired slot position, rotate drum to a more accessible position. For slots near left margin, count number of space operations from left margin and place stop in corresponding slot number, beginning with slot no. 1 just to right of roller.

Note: When printing forms, check stop settings with relation to columns. Corresponding stops on all machines connected in a circuit must be same number of spacing operations from left margin.

3.22 Transmitter Distributor Transfer Control Contacts

(D) CONTACT ASSEMBLY BRACKET (PRELIMINARY)

Requirement (Not Illustrated)
 Operating lever unoperated. Clearance between stud on operating lever and long contact spring
 Min 0.020 inch---Max 0.025 inch

To Adjust
 Position contact assembly bracket with mounting screws loosened. The bracket pivots about a pin at upper end of bracket.

(E) TRANSMITTER CONTROL CONTACT GAP

Requirement (Not Illustrated)
 Operating lever in operated position.
 Min 0.010 inch---Max 0.015 inch between normally closed contacts.

To Adjust
 Bend stiffener.

(B) NORMALLY OPEN CONTACT SPRING

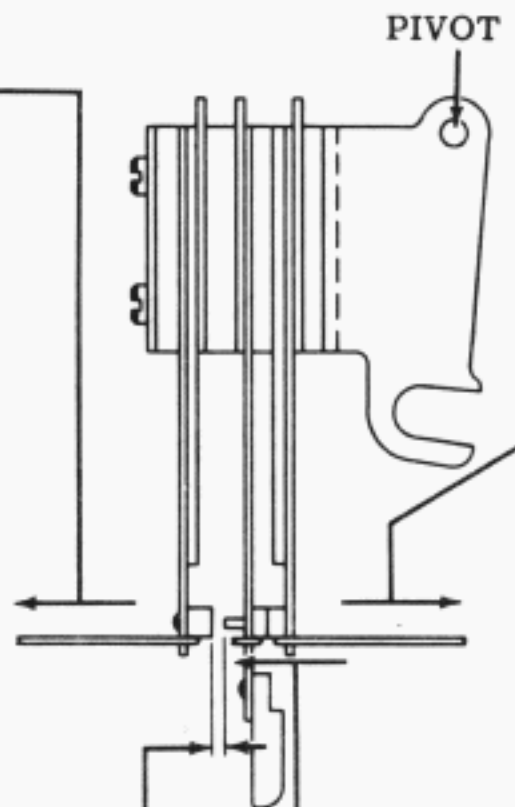
Requirement
 Operating lever unoperated
 Min 1 oz---Max 2 oz to just move short contact spring away from stiffener.

To Adjust
 Bend short contact spring.

(C) NORMALLY CLOSED CONTACT SPRING

Requirement
 Operating lever operated.
 Min 2 oz---Max 3 oz to just move short contact spring away from stiffener.

To Adjust
 Bend short contact spring.



(F) NORMALLY OPEN CONTACT GAP

Requirement
 Operating lever unoperated.
 Min 0.010 inch---Max 0.015 inch between normally open contacts.

To Adjust
 Bend stiffener.

(A) TRANSFER CONTACT SPRING

Requirement
 Operating lever unoperated.
 Min 2-1/2 oz---Max 3-1/2 oz to just open contacts.

To Adjust
 Bend long contact spring.

(G) CONTACT ASSEMBLY BRACKET (FINAL)

Requirement
 Operating lever unoperated. There should be some clearance between stud on operating lever and long contact spring.

To Adjust
 Remake adjustments (D), (E) and (F).

3.23 Transmitter Distributor Transfer Control Contacts (Later Design)

(A) TRANSFER CONTACT SPRING

Requirement

With the operating lever in the unoperated position, hook scale over the transfer contact swinger and pull at right angle to it.

Min 2 oz---Max 3 oz
to just open the contacts.

To Adjust

Bend the contact swinger spring.

(B) NORMALLY OPEN CONTACT SPRING

Requirement

With the operating lever in the unoperated position, hook scale over the short contact spring just above the contact point and pull at right angles to it.

Min 1 oz---Max 2 oz
to just move the short contact spring away from the stiffener.

To Adjust

Bend the short contact spring.

(C) CONTACT SPRING

Requirement

With the transfer contact swinger held away from the extension of the long contact spring, hook scale over the extension and pull at right angles to it.

Min 2 oz---Max 3 oz
to separate the contact points.

To Adjust

Bend the long contact spring.

(D) CONTACT ASSEMBLY BRACKET (PRELIMINARY)

Requirement

With the operating lever in the unoperated position, there should be
Min 0.020 inch---Max 0.025 inch
between the stud on the operating lever and the long contact spring.

To Adjust

Position the contact assembly bracket with the mounting screw loosened. The bracket pivots about a pin at the upper end of the bracket.

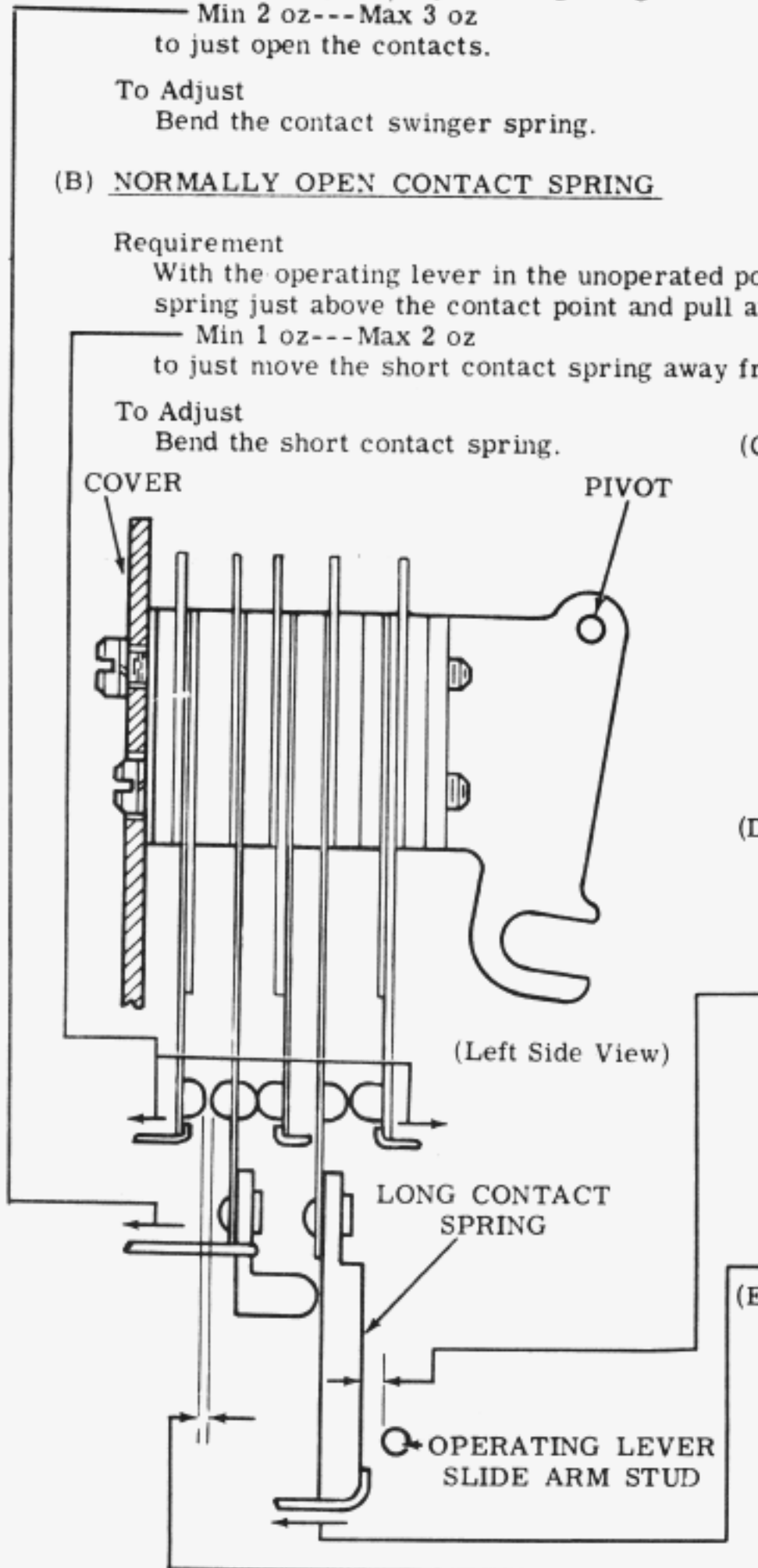
(E) NORMALLY OPEN CONTACT GAP

Requirement

With the operating lever in the unoperated position, there should be
Min. 0.012 inch---Max 0.020 inch

To Adjust

Bend the stiffener.



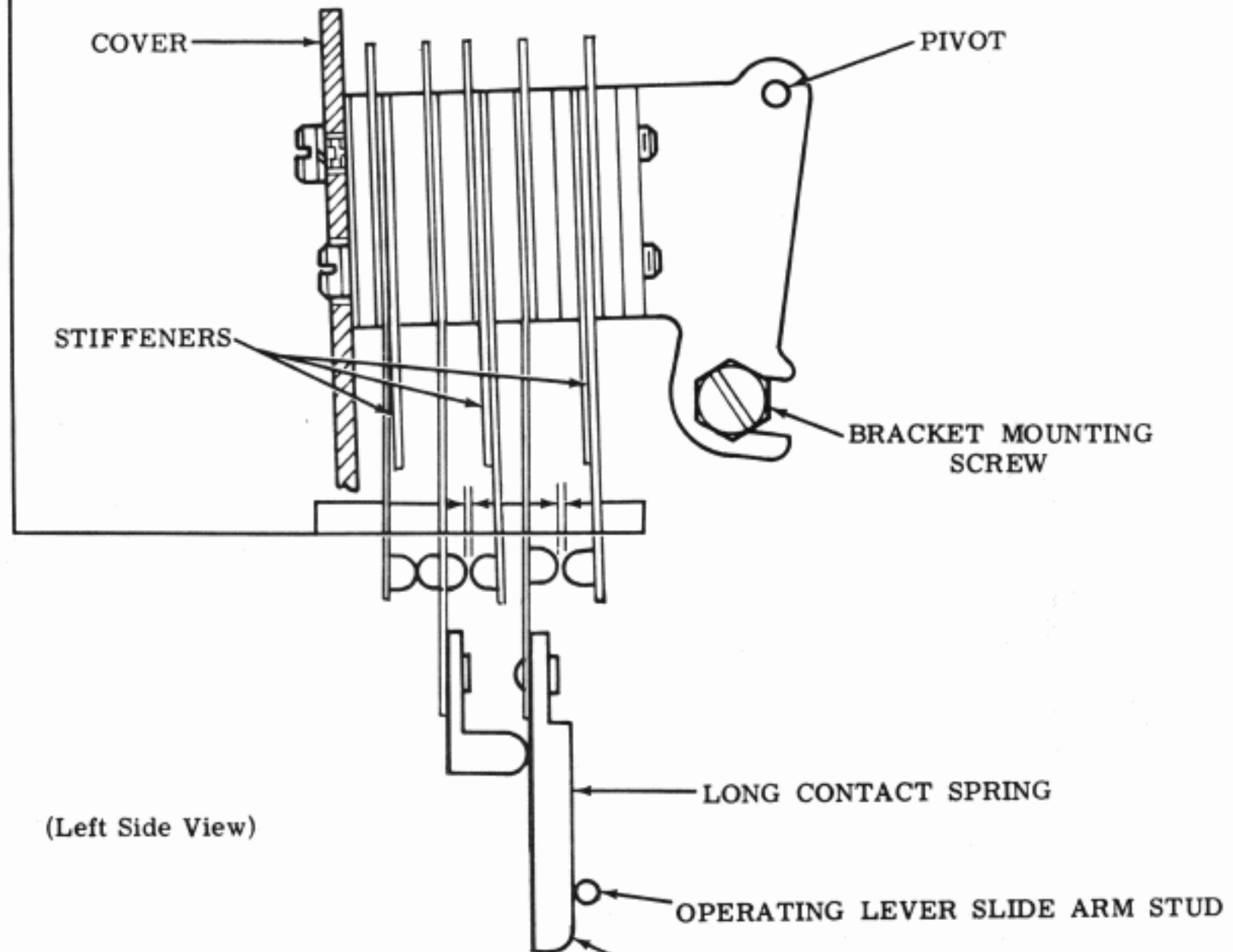
3.24 Transmitter Distributor Transfer Control Contacts (continued)

(A) TRANSMITTER CONTROL CONTACT GAP

Requirement

With the operating lever in the operated position, there should be
Min 0.010 inch---Max 0.015 inch
between the normally closed contacts.

To Adjust
Bend the stiffener.



(Left Side View)

(B) CONTACT ASSEMBLY BRACKET (FINAL)

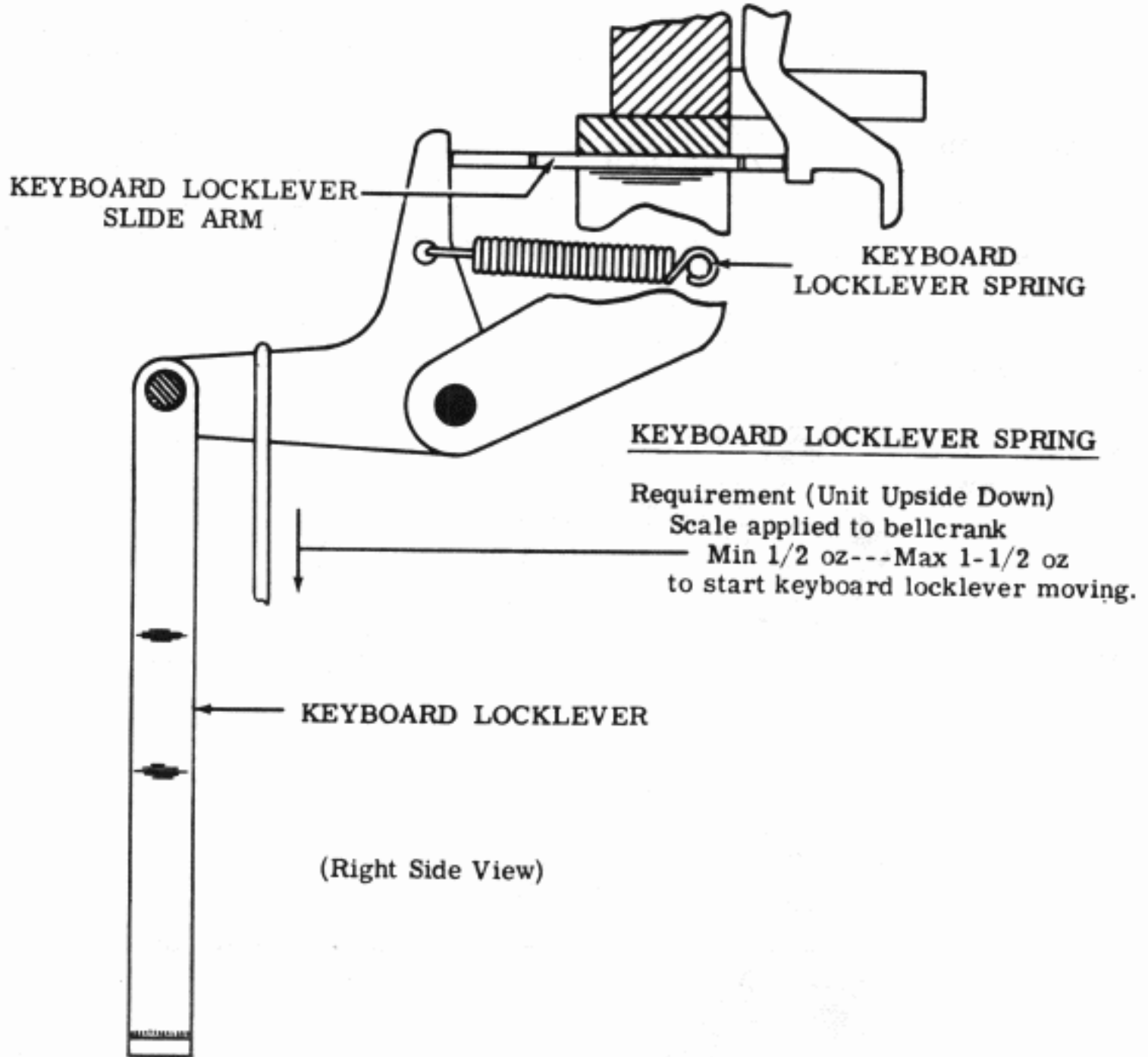
Requirement

With the operating lever in the unoperated position, there should be some clearance between the stud on the operating lever and the long contact spring.

To Adjust

Remake TRANSFER CONTACT SPRING (3.23) and
TRANSMITTER CONTROL CONTACT GAP adjustments.

3.25 Keyboard Lock Mechanism



3.26 Local Backspace Mechanism

CAMMING BAIL STOP ARM

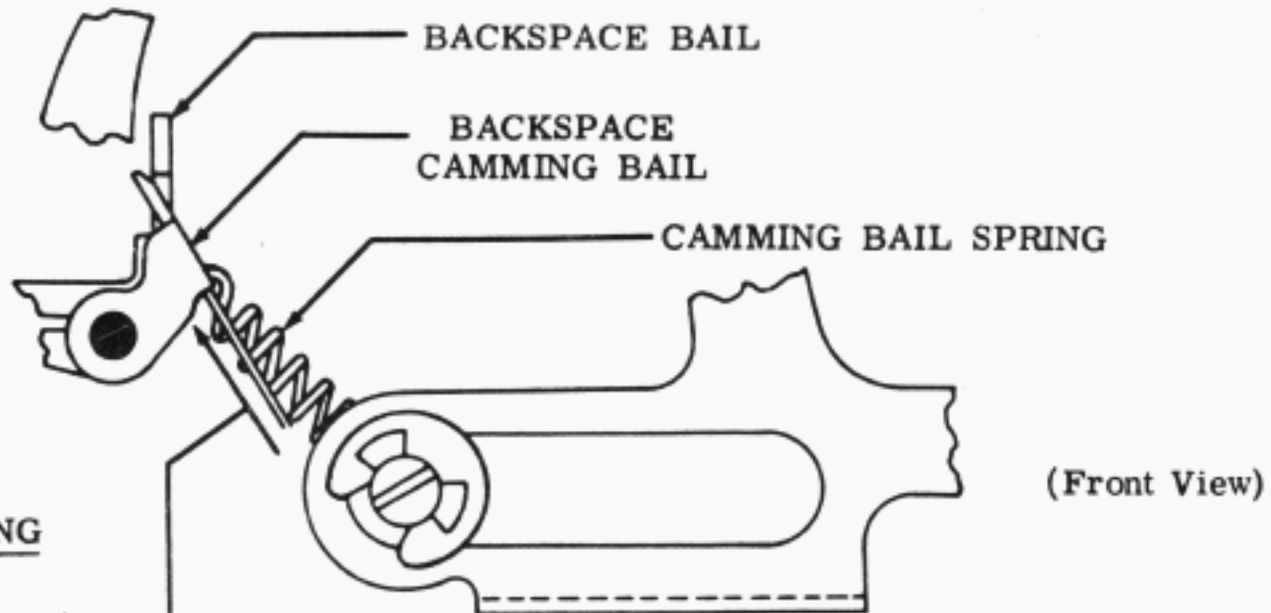
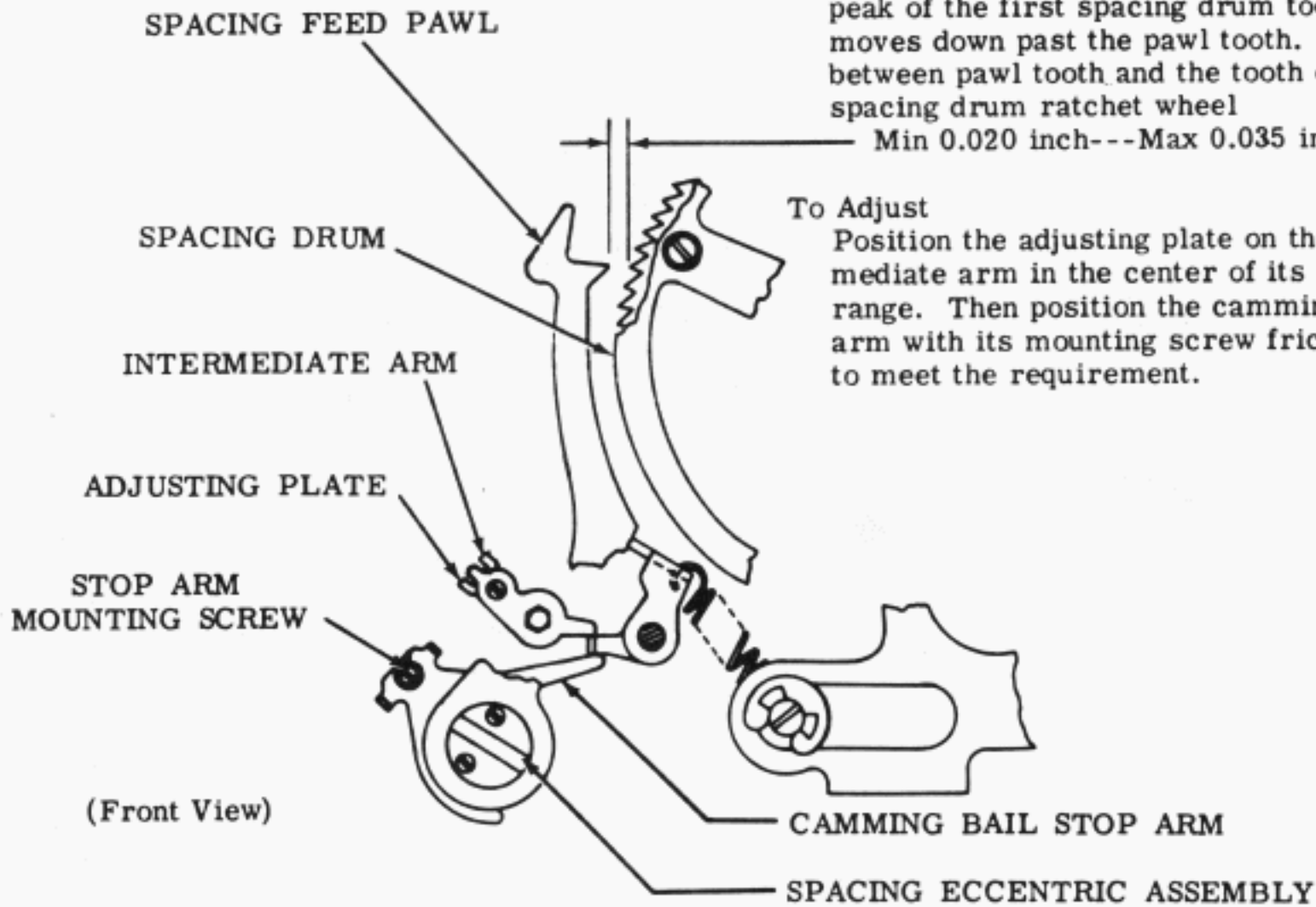
Requirement

Spacing clutch disengaged, front feed pawl in lower position, backspace bail held operated, clutch tripped and main shaft rotated until the front feed pawl tooth is opposite the peak of the first spacing drum tooth that moves down past the pawl tooth. Clearance between pawl tooth and the tooth on the spacing drum ratchet wheel

Min 0.020 inch---Max 0.035 inch

To Adjust

Position the adjusting plate on the intermediate arm in the center of its adjusting range. Then position the camming bail stop arm with its mounting screw friction tight to meet the requirement.



CAMMING BAIL SPRING

Requirement

Min 1 oz---Max 2-1/4 oz to start bail moving.

Note: See appropriate section for related keyboard adjustments.

3.27 Vertical Tabulator Mechanism

(C) FORM START GEAR PLAY

Requirement

Barely perceptible backlash between idler gear and form start gear.

To Adjust

Position gear pivot post with nut loosened.

Note: Gears should mesh accurately when checked at 3 equal distances around circumference of gear.

(E) INDEXING DISC

Requirement

Clearance between form-out stop plate and follower should be

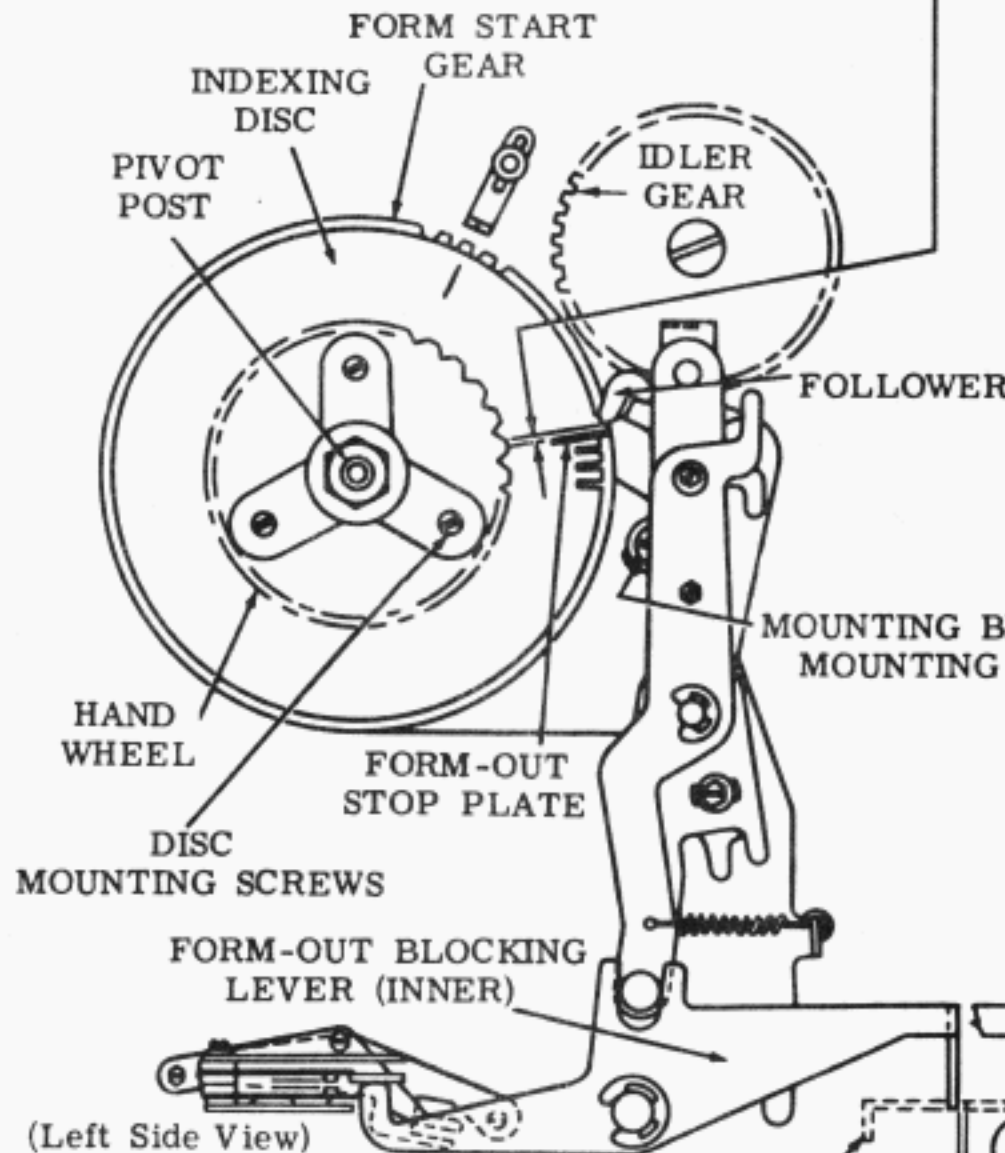
Min 0.020 inch---Max 0.040 inch

To Check

Line feed clutch disengaged. Stop plate adjacent to follower. Slack in gears taken up to make gap a maximum.

To Adjust

Pull gear out of engagement with idler gear. Turn hand wheel clockwise until stop plate just operates the follower, then engage first tooth on idler. Position indexing disc with three mounting screws loosened.



(D) BLOCKING LEVER

See 3.28.

(A) VERTICAL TABULATOR SLIDE RETAINER

Requirement

Clearance between vertical tab slide and retaining edge of retainer should be

Min some---Max 0.012 inch

To Adjust

Position retainer forward and locate it up or down with mounting screws loosened.

(B) MOUNTING BRACKET

(1) Requirement

Clearance between form-out blocking lever (inner lever) and form-out slide

Min some---Max 0.020 inch

To Check

Select FORM-OUT (CONTROL L) code combination, hold stripper slide bail to the rear of unit and rotate main shaft until form-out slide is in most forward position. Take up play in form-out blocking lever to make clearance minimum.

(2) Requirement

Clearance between vertical tab slide and vertical tab blocking lever (outer lever)

Min 0.002 inch

To Check

Select VERTICAL TAB (CONTROL K) code combination, hold stripper bail to rear of unit and rotate main shaft until vertical tab slide is in most forward position. Take up play in vertical tab blocking lever to make clearance minimum.

To Adjust

Position lower portion of mounting bracket with mounting screws loosened.

3.28 Vertical Tabulator Mechanism (continued)

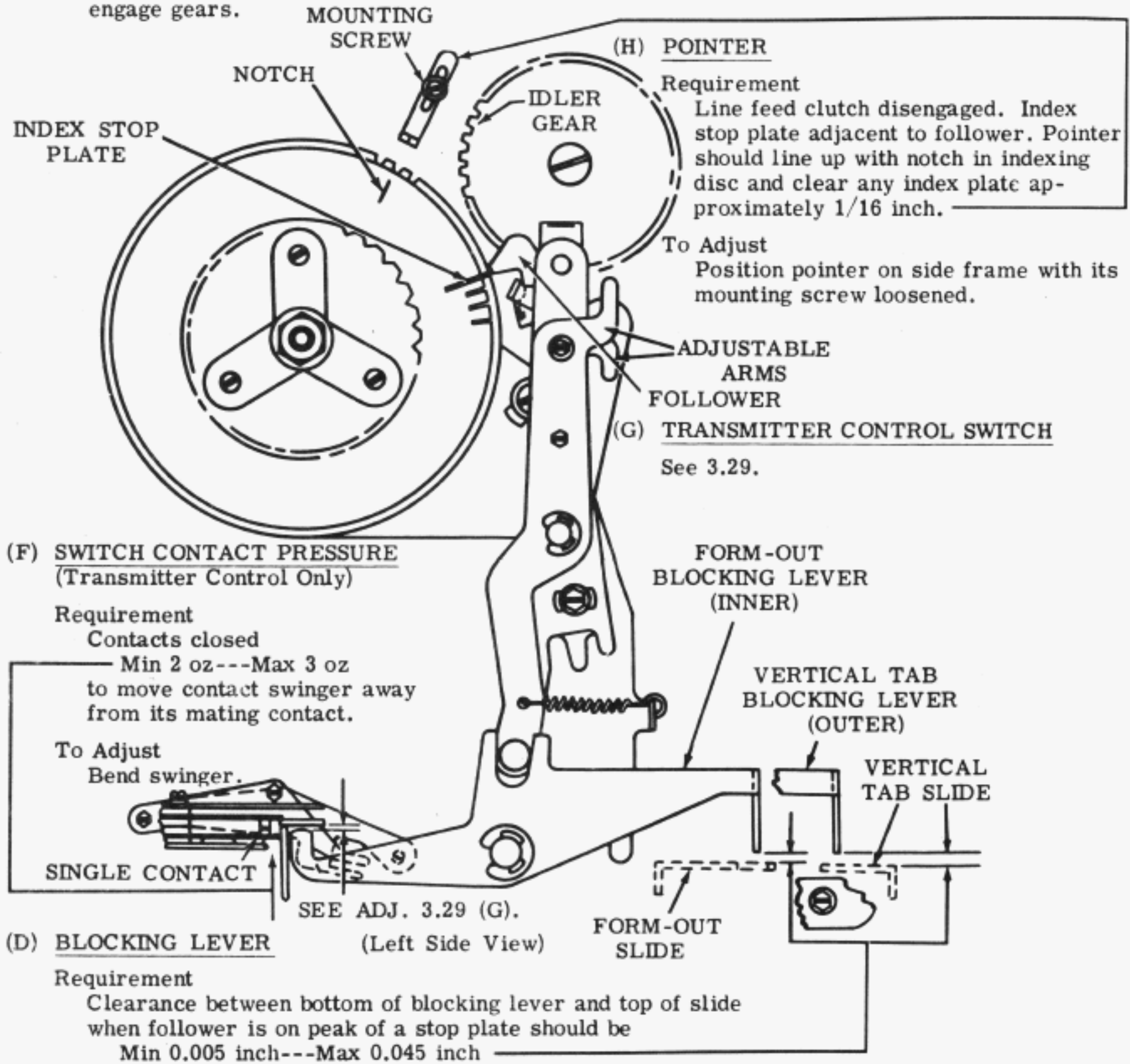
(I) FORM-OUT STOP PLATE POSITION

Requirement

Place a form-out stop plate in the numbered slots on disc corresponding to length of page form to be used. Synchronize form-out device with a form by positioning form so that typing unit will print in first typing line of the form. When typing unit is in stop position, top of ribbon guide should align with bottom of printing line.

To Position

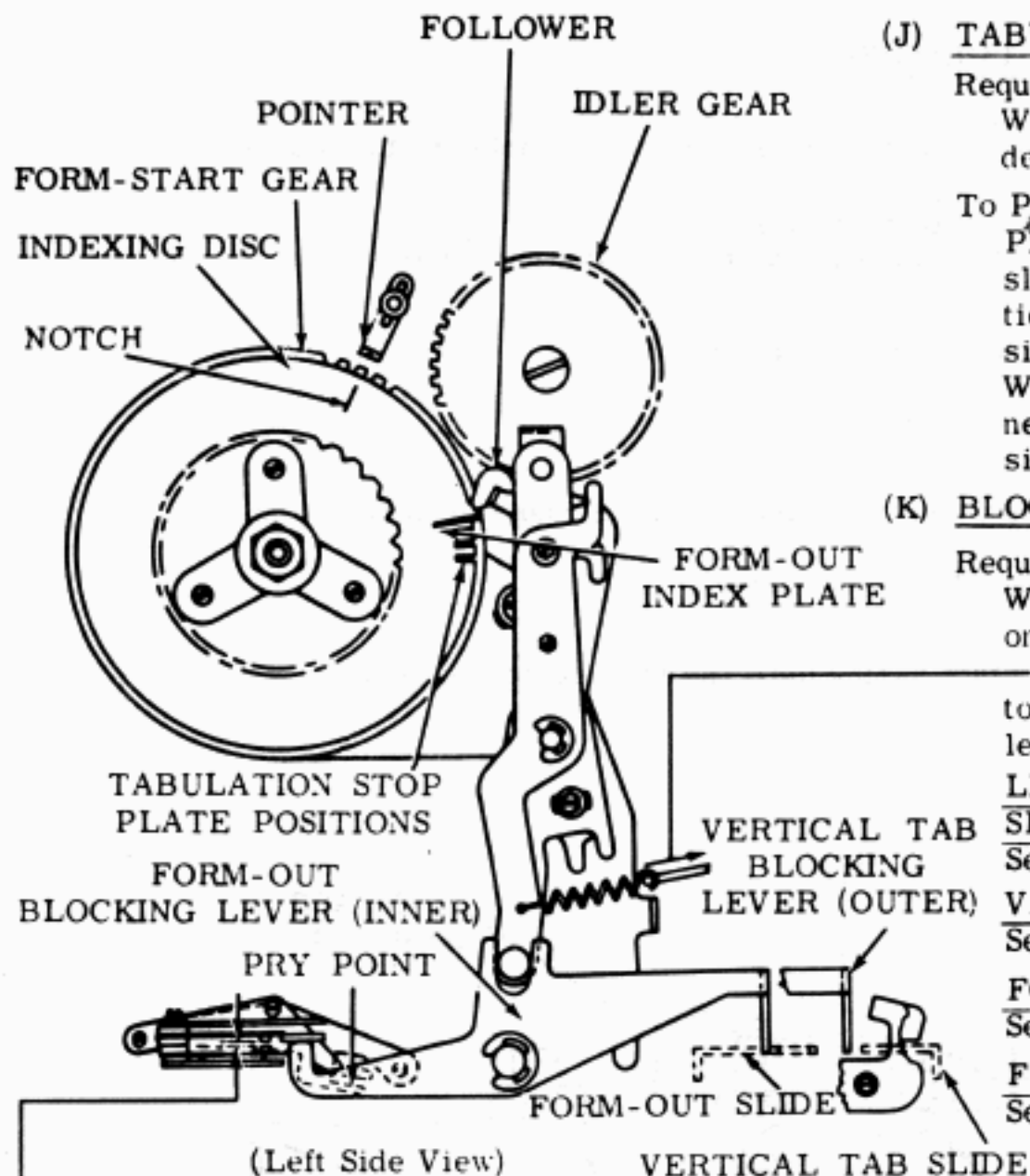
With page form in desired position, disengage form-stop gear from its idler gear. Rotate form-start gear until notch in indexing disc aligns with pointer on side of printer. Re-engage gears.



To Adjust

Trip line feed clutch. Rotate main shaft until follower is on peak of stop plate. Position adjustable arm with mounting screws loosened. Make adjustment for each blocking lever.

3.29 Vertical Tabulator Mechanism (continued)

(J) TABULATION STOP PLATE POSITION**Requirement**

With adjustment (I) met, line feed platen to desired first line of printing in that form.

To Position

Place tabulation stop plate in index disc slot to align with follower. Install additional tab stop plates at succeeding desired printing lines within the form. When tabulation at a given point is not needed, rotate tab stop plates on their sides.

(K) BLOCKING LEVER SPRING**Requirement**

With spring unhooked and blocking lever on top of slide.

Min 9 oz---Max 11 oz to pull respective spring to position length.

LINE FEED CLUTCH TRIP LEVER SPRING

See 2.23.

VERTICAL TAB BAIL SPRING

See 3.07.

FORM-OUT PAWL SPRING

See 3.07.

FUNCTION CONTACT SPRING

See 2.65.

(G) TRANSMITTER CONTROL SWITCH (SINGLE CONTACT TYPE)(1) **Requirement**

With control contacts open clearance between contacts should be
Min 0.010 inch---Max 0.020 inch

To Check

Select form-out code. Rotate main shaft until form-out slide is in most forward position and form-out blocking lever drops behind its slide.

(2) **Requirement**

Same as Requirement (1)

To Check

Select vertical tab code. Rotate main shaft until vertical tab slide is in most forward position and vertical tab blocking lever drops behind its slide.

(3) **Requirement**

With transmitter control contacts closed, there should be some clearance between insulator tip of swinger and lobes of both form-out and vertical tab blocking levers. (See figure in 3.28.)

To Check

Rotate main shaft until both form-out and vertical tab blocking levers are resting on top of slides.

To Adjust

Position switch assembly at pry point with center mounting screw loosened.

3.30 Transmitter Control Contacts (Later Design)

(A) SWITCH CONTACT PRESSURE

Requirement

With the break (lower) contacts closed and the make contacts open, it should require

Min 20 grams---Max 25 grams
to move the contact swinger away from its mating break contact.

To Adjust

Bend the swinger until the requirement is met.

(B) NORMALLY OPEN CONTACT GAP

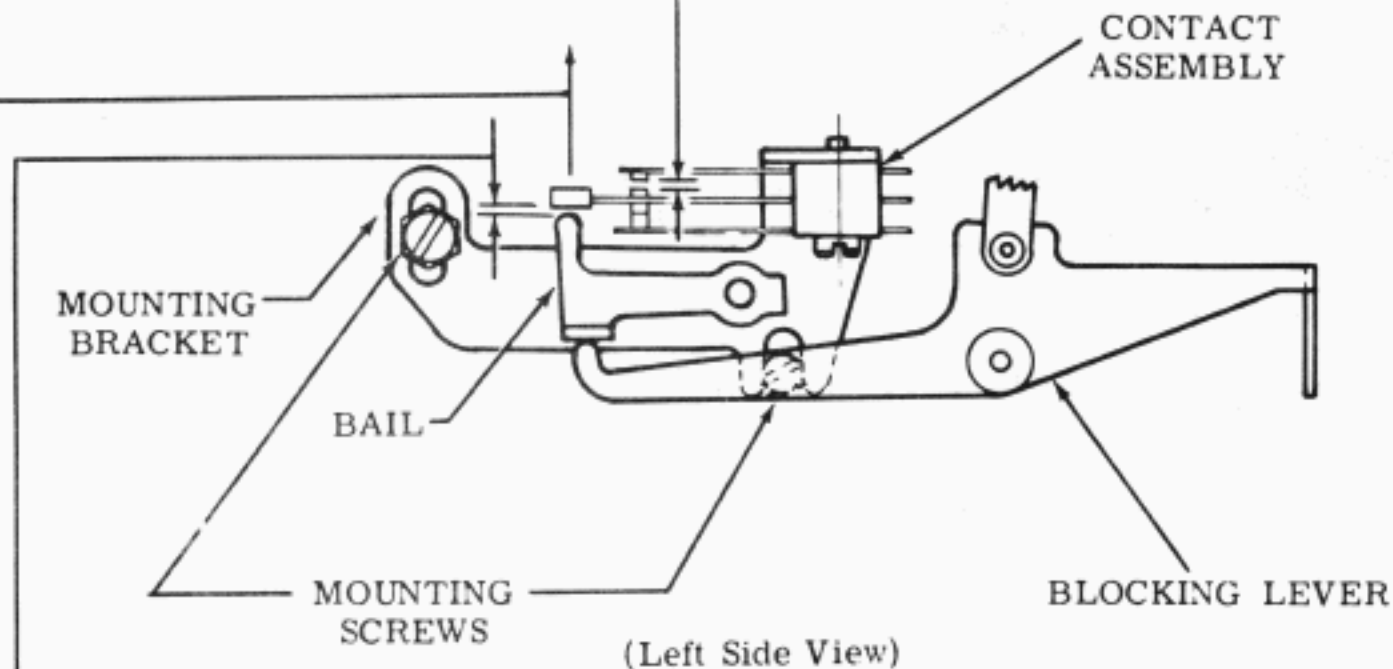
Requirement

The contact gap between the swinger and the make (upper) contact should be

Min 0.008 inch---Max 0.020 inch

To Adjust

Bend the make contact spring until the requirement is met.



(C) CONTACT BRACKET

Requirement

Rotate the main shaft until both the form-out and vertical tab blocking levers are unoperated (resting on top of the slides). The transmitter control contacts (lower set) should be closed and there should be

Min 0.005 inch---Max 0.015 inch
between the insulator pad of the swinger and the lobe of the bail.

To Adjust

With mounting screws friction tight, position mounting bracket. Tighten screws.

3.31 Upper Solenoid (For Applicable Units)

UPPER SOLENOID

Requirement

With the solenoid held in the energized condition, position the solenoid so that there is

Min 0.060 inch---Max 0.080 inch
between the solenoid bail stop and the codebar detent housing.

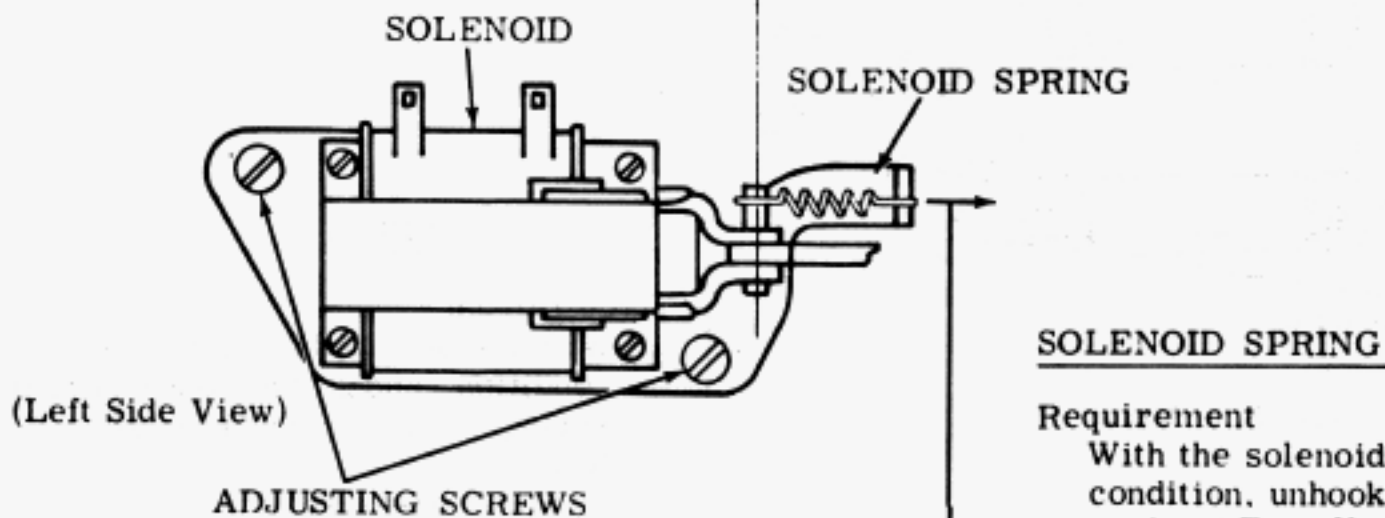
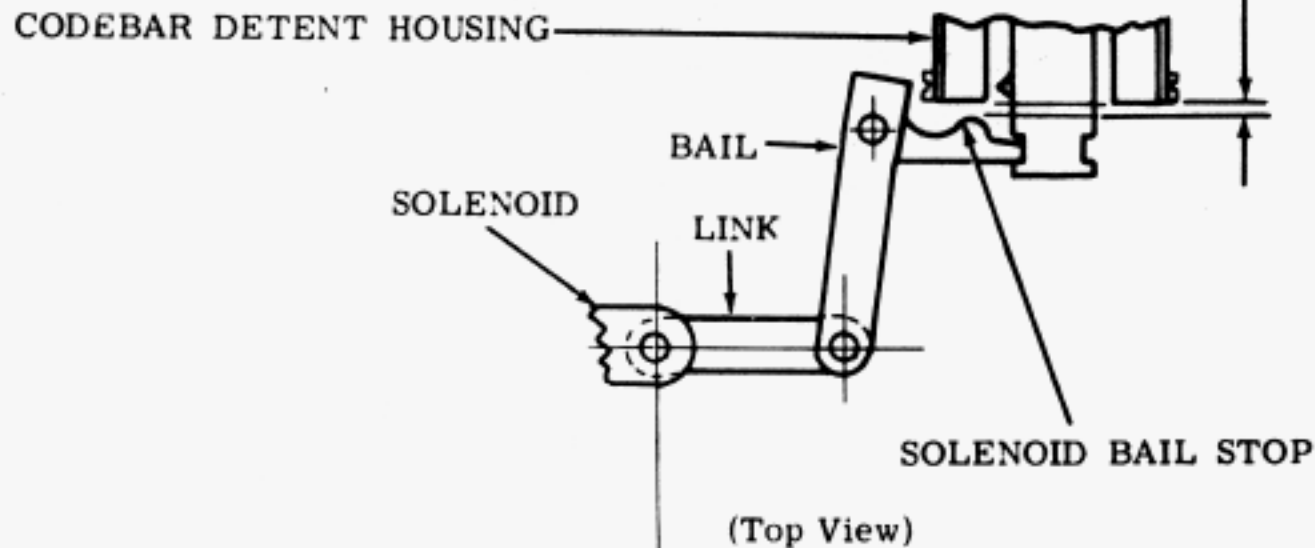
Note: Take up play in bail to the left to make this clearance a maximum.

To Adjust

Loosen the two solenoid adjusting screws and position the solenoid to meet the requirement.

To Check

Apply 110 volts ac to the solenoid. If the solenoid buzzes, the suppression bar is stopped before the solenoid is in its proper energized condition. Refine above.



Requirement

With the solenoid in the de-energized condition, unhook the front end of the spring. To pull spring to installed length.

Min 2 oz---Max 3 oz

3.32 Lower Solenoid (For Applicable Units)

LOWER SOLENOID

Requirement

With the solenoid in the de-energized condition there should be
 Min 0.030 inch---Max 0.070 inch
 between the clutch suppression arm and the end of the solenoid
 lever.

To Adjust

Loosen the two solenoid adjusting screws and position the
 solenoid to the requirement.

CLUTCH SUPPRESSION ARM

SOLENOID LEVER
 SOLENOID

LINK

(Top View)

SOLENOID

SOLENOID SPRING

ADJUSTING SCREWS

(Right Side View)

SOLENOID SPRING

Requirement

With the solenoid in the de-energized
 condition unhook the front end of the
 spring. Pull spring to installed
 length.
 Min 2 oz---Max 3 oz

To Adjust

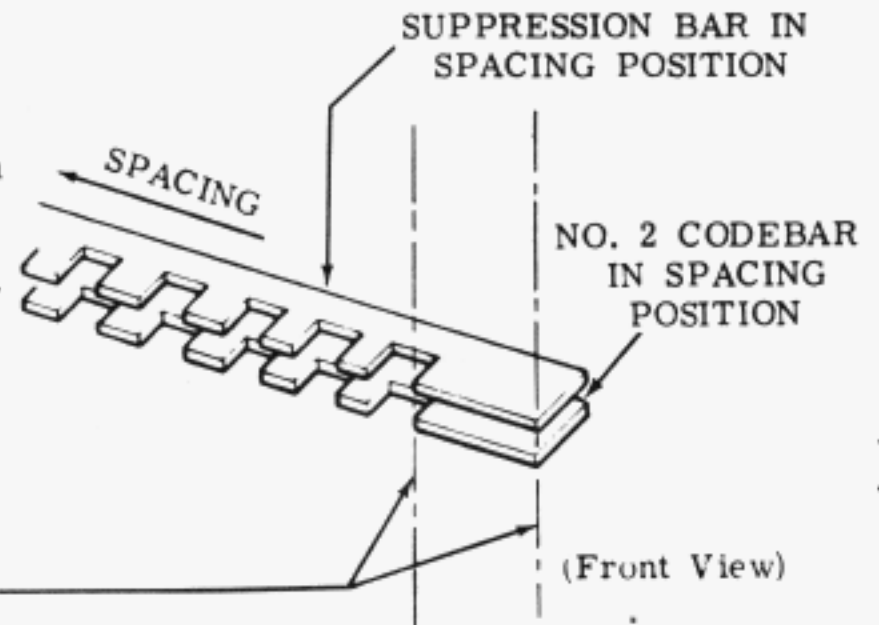
Replace the spring.

3.33 Print-Nonprint Solenoid Mechanism

(A) SOLENOID PLUNGER

(1) Requirement

With the solenoid plunger held against the stop inside of the solenoid, the outer edge of the end of the suppression codebar should line up with the outer edge of the end of spacing no. 2 codebar. Also, when the suppression codebar is spacing, the tines of the suppression bar should line up with the tines of the no. 2 codebar. Vertically align either point by eye in both marking and spacing positions.



To Adjust

Loosen the solenoid mounting screws and move the solenoid forward or backward to meet both of these requirements. Check outer edges of the bars and the tine line-up by eye. Check tines by sighting over and through stunt box at rear of unit. Recheck requirement. Tighten screws.

(2) Requirement

With 48 v dc applied to the solenoid, recheck Requirement (1); the suppression codebar should not overtravel when the solenoid is energized.

To Adjust

Same as above.

(B) SOLENOID CONTACT

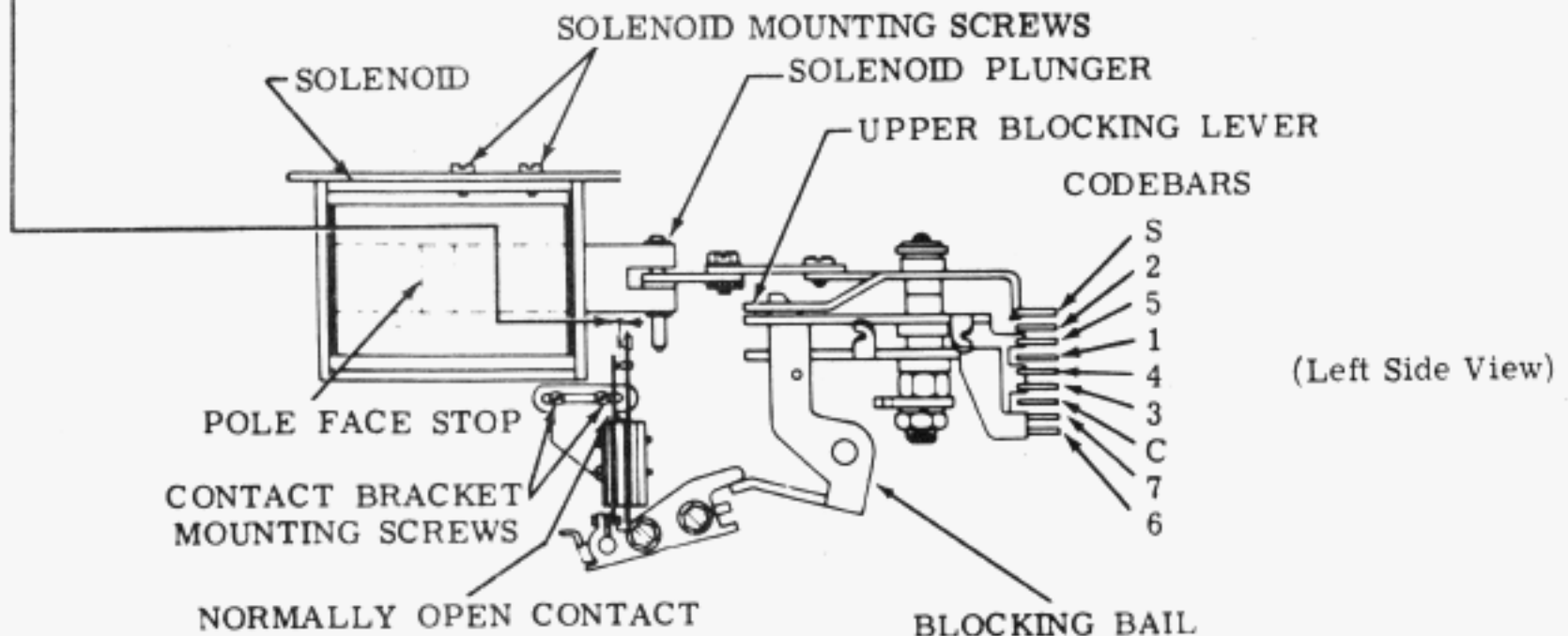
Requirement

With the solenoid de-energized and the plunger in the unoperated position there should be
 Min 0.010 inch--Max 0.020 inch
 gap between the contacts.

Note: Open up the contact cover to measure gap and to facilitate the following adjustments.
 Close contact cover after the requirements are met.

To Adjust

Bend the contact springs to gain the requirement.



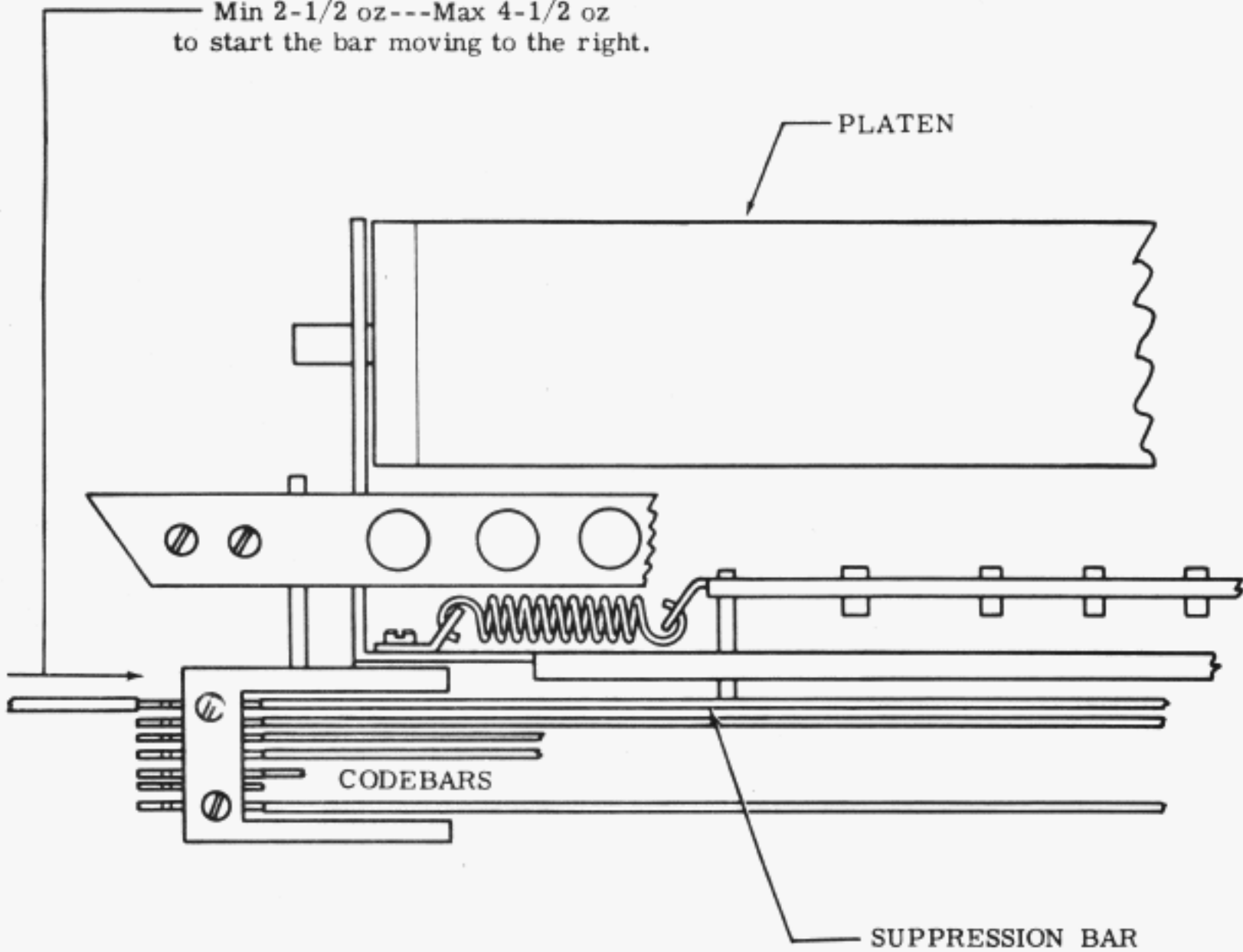
3.34 Print-Nonprint Solenoid Mechanism (continued)

SUPPRESSION BAR RETURN SPRING (FOR UNITS EMPLOYING THE PRINT SUPPRESS SOLENOID MECHANISM)

Requirement

With the solenoid de-energized and suppression bar moved to the left, push against the left end of the bar and parallel to the bar. All bearing points in solenoid linkage must be free of binds.

Min 2-1/2 oz---Max 4-1/2 oz to start the bar moving to the right.



(Front View of Printer)

3.35 Print-Nonprint Solenoid Mechanism (continued)

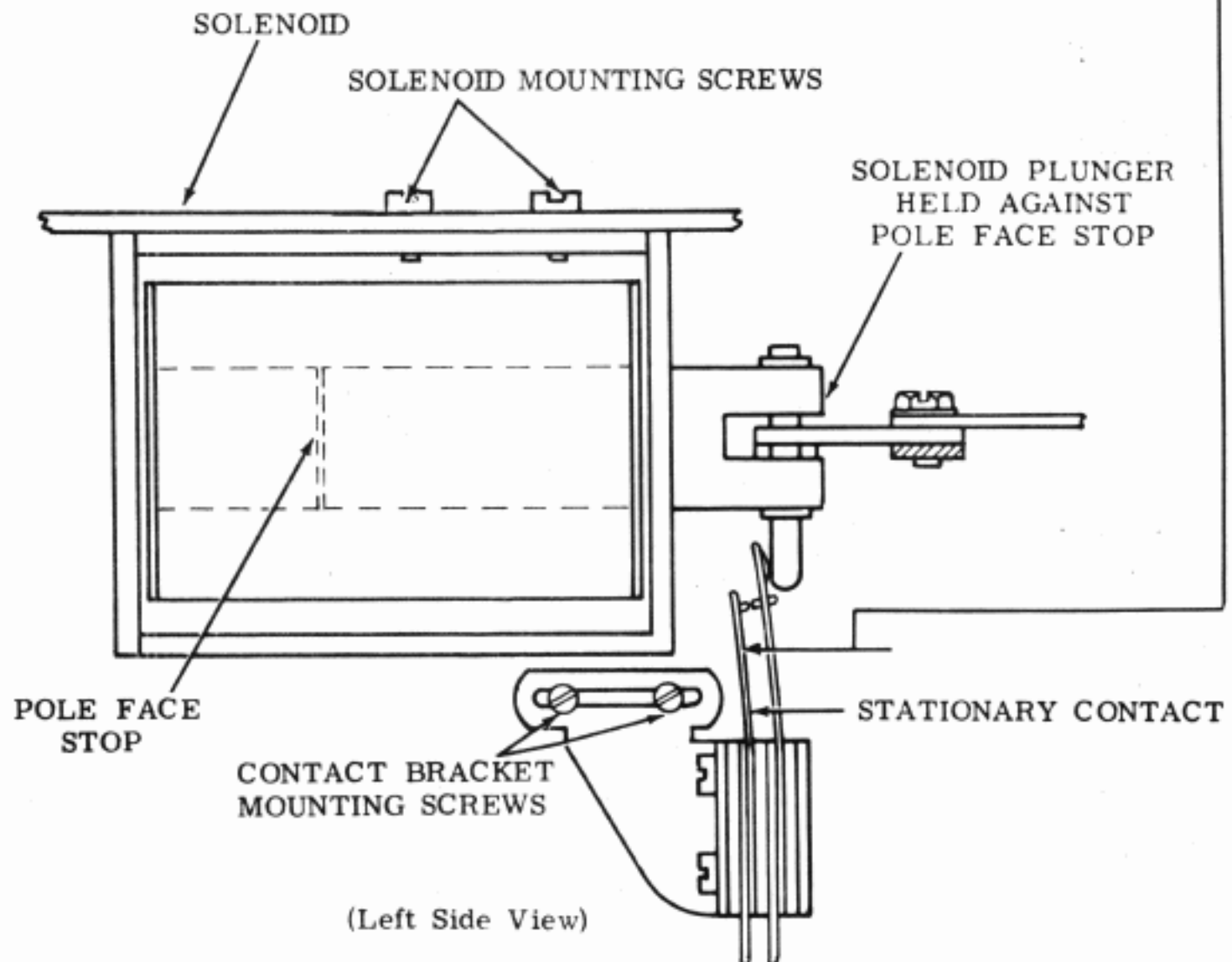
SOLENOID ENERGIZED**Requirement**

With the solenoid plunger held against the solenoid pole face stop, the solenoid pin should operate the contact swinger and close the contacts. It should require a force of at least

Min 2 oz _____
to separate the contacts.

To Adjust

Loosen the contact bracket mounting screws and position the bracket so that the solenoid pin strikes the contact button just before the end of the plunger travel. Tighten screws. Bend the stationary contact to meet the requirement. Recheck requirement and then close contact cover.



3.36 Print-Nonprint Solenoid Mechanism (continued)

SOLENOID DE-ENERGIZED

Requirement

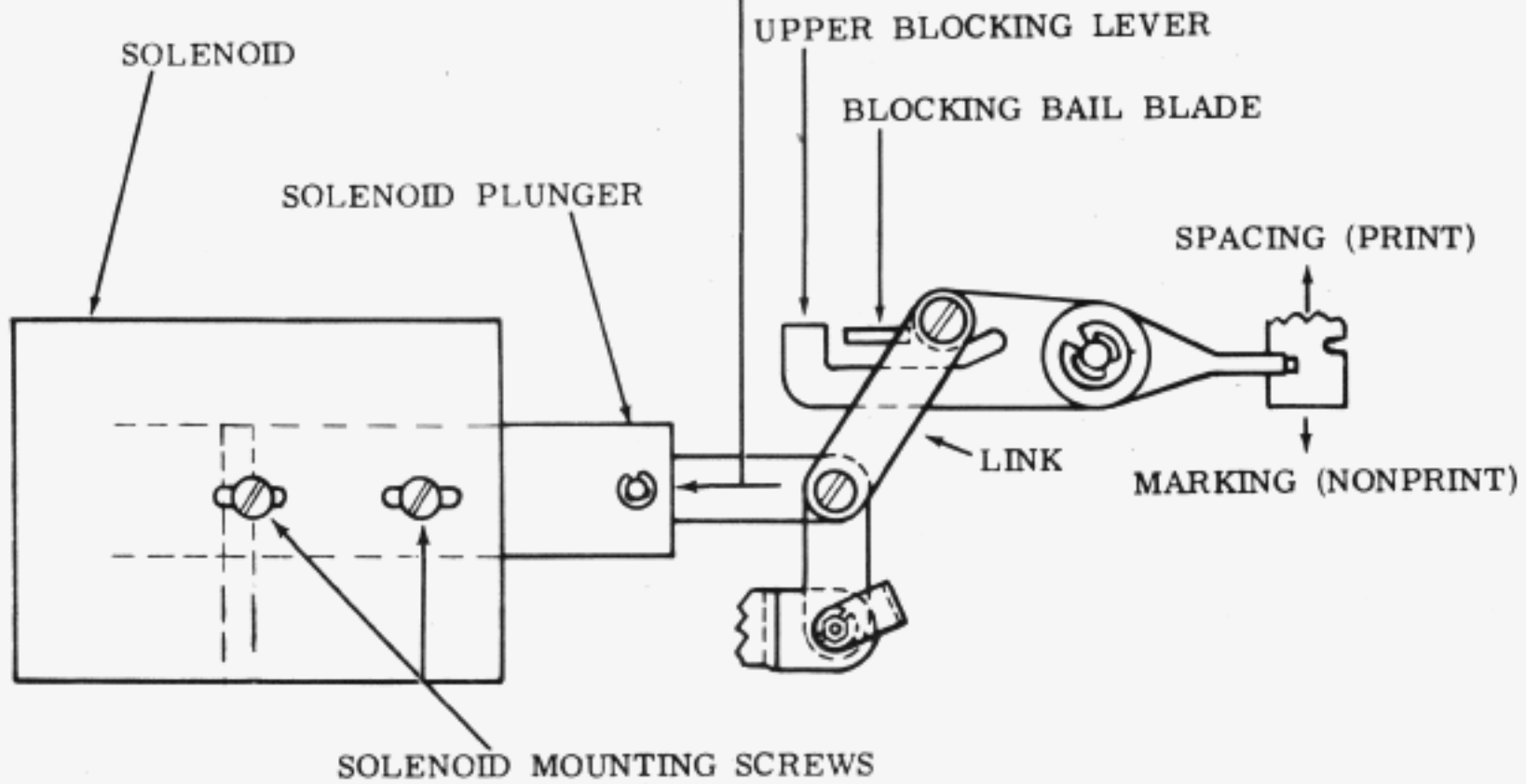
All pivot points on the solenoid linkage must be free of binds. With the solenoid plunger in its unoperated position, a force of no more than

Max 1-1/4 oz

applied to the end of the plunger should move the plunger when the suppression bar return spring is removed.

To Adjust

Inspect all pivot points for binds.



(Top View)

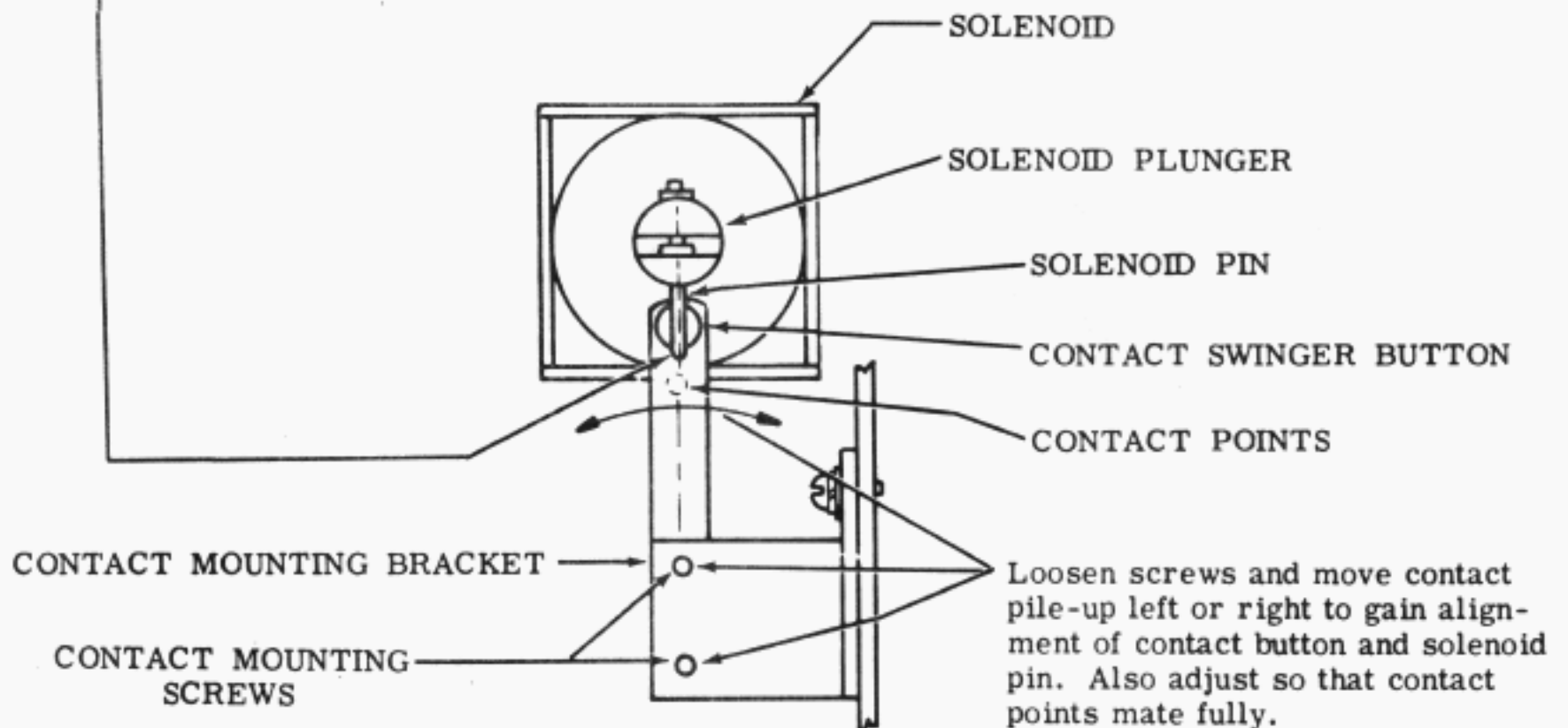
3.37 Print-Nonprint Solenoid Mechanism (continued)

CONTACT BUTTON AND SOLENOID PIN ALIGNMENT**Requirement**

The swinger contact button and the solenoid plunger pin should be aligned by eye such that the pin strikes the flat surface of the button.

To Adjust

Loosen the contact pile-up mounting screws and move the contacts left or right to gain the alignment of button and pin. Check to see that the contact points mate fully.



(Front View)

3.38 Timing Contact Mechanism (Operated by Selector)

Note 1: In this text, the letters S, B, and M are used to denote respectively the "swinger", "break" (normally closed with lever riding cam depression) and "make" (normally open; closed only with lever riding cam peak) contact springs.

Note 2: When making adjustments (F) through (H) make certain the "S" spring insulator is clear of the operating lever.

Note 3: Parts should be well aligned and free of sharp bends. Contact points misalignment should not exceed 1/4 the diameter of points.

(A) "M" CONTACT SPRINGS

Requirement

Min 4 oz
to move contact spring away from its stiffener.

To Adjust
Bend contact spring.

(B) "B" CONTACT SPRINGS

Requirement

Min 4 oz
to move contact spring away from its stiffener.

To Adjust
Bend contact spring.

(C) "S" - "B" CONTACT SPRINGS

Requirement

Min 3-1/2 oz --- Max 4-1/4 oz
to move swinger contact away from normally break contact.

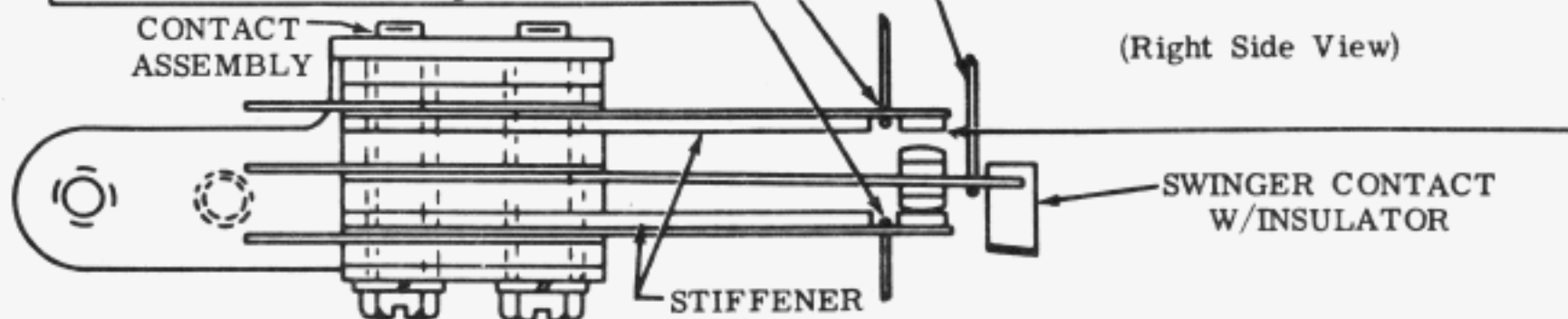
To Adjust
Bend swinger contact spring.

(E) "S" - "M" CONTACT GAP

Requirement

Min 0.012 inch --- Max 0.020 inch

To Adjust
Bend stiffener.



(D) TWIN "B" CONTACT SPRINGS

(1) Requirement

Both contacts should open at the same time.

(2) Requirement

The insertion of an 0.008 inch gauge between one pair of points should not cause the other pair to separate.

To Adjust
Bend springs or slightly twist stiffener. Recheck contact pressure.

SWINGER CONTACT W/INSULATOR

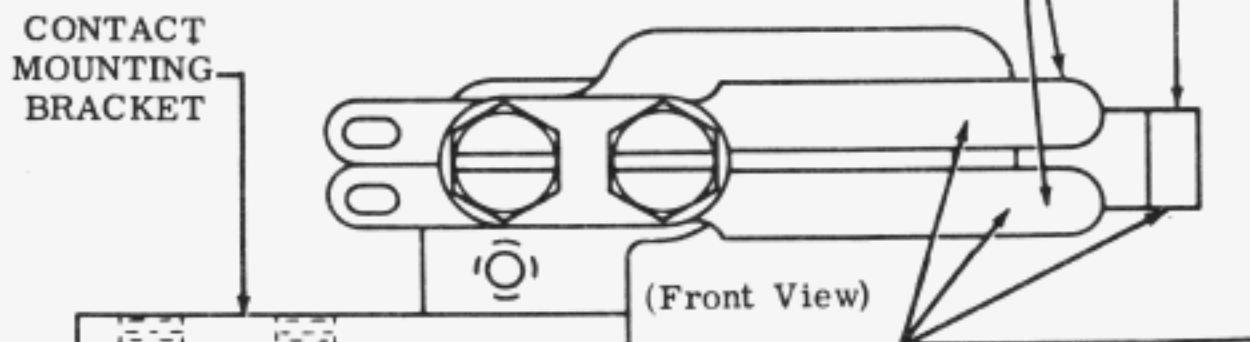
(F) TWIN SPRINGS ("M" CONTACTS)

Requirement

Both make and swinger contacts should make approximately the same time (within 0.006 inch as gauged by eye).

To Adjust
Bend make contact springs or slightly twist stiffener.

CONTACT MOUNTING BRACKET



3.39 Timing Contact Mechanism (Operated by Selector) (continued)

(H) CONTACT ASSEMBLY POSITION

(1) Requirement

Set range scale at 50 (important).
Rotate shaft so operating lever is on lowest part of cam.

To Adjust

With mounting screws loosened position contact assembly by means of its oversize mounting holes so lever can be moved

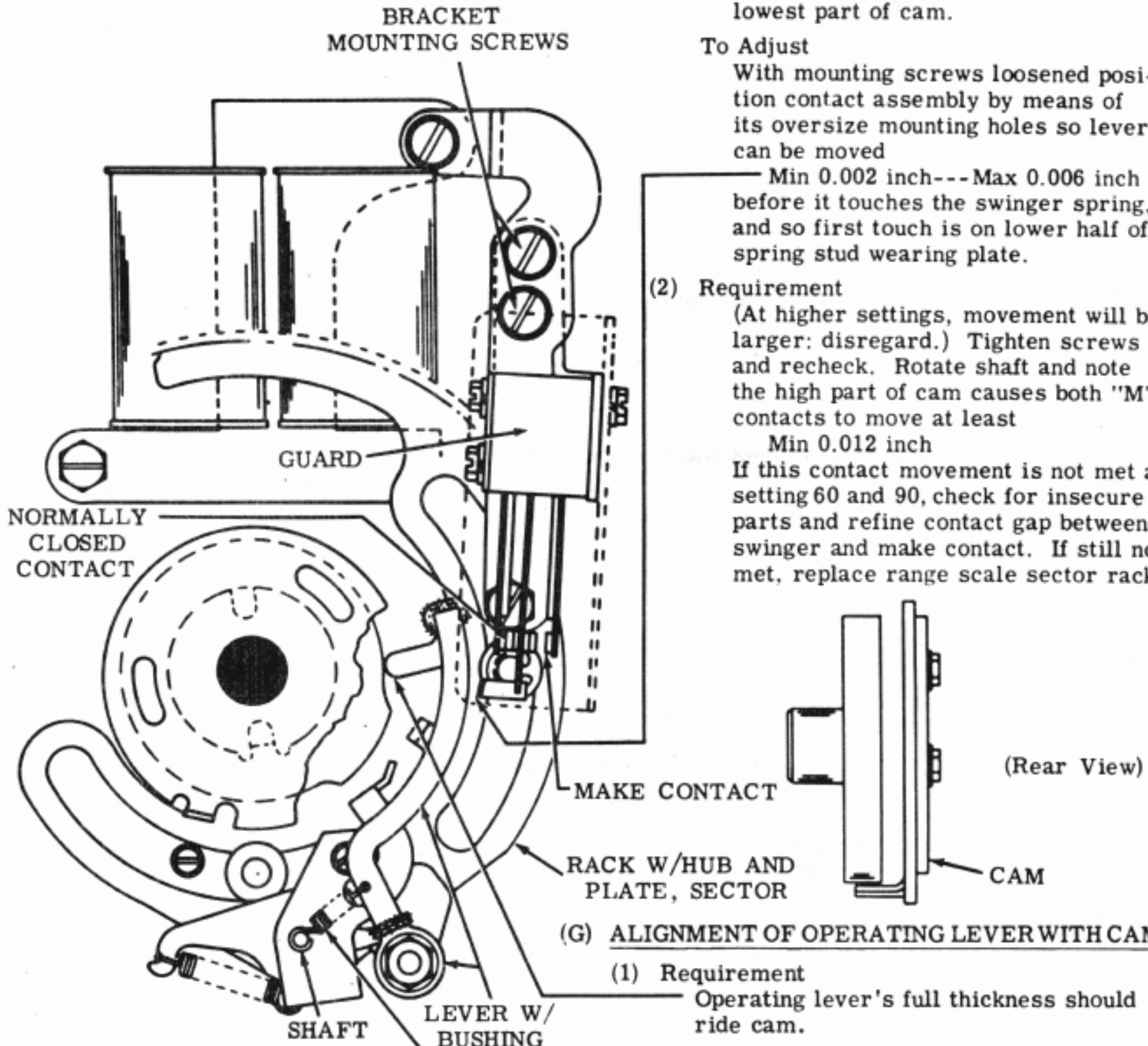
Min 0.002 inch---Max 0.006 inch before it touches the swinger spring, and so first touch is on lower half of spring stud wearing plate.

(2) Requirement

(At higher settings, movement will be larger: disregard.) Tighten screws and recheck. Rotate shaft and note the high part of cam causes both "M" contacts to move at least

Min 0.012 inch

If this contact movement is not met at setting 60 and 90, check for insecure parts and refine contact gap between swinger and make contact. If still not met, replace range scale sector rack.



(Right Side View)

(Rear View)

(G) ALIGNMENT OF OPERATING LEVER WITH CAM

(1) Requirement

Operating lever's full thickness should ride cam.

To Check

Take up all cam endplay toward selector to clutch drum, all operating lever endplay (at its bearing) in opposite direction. Observe lever and cam for full engagement.

(2) Requirement

Lever should not exert pressure against face of clutch disc.

To Adjust

Refine clutch drum endplay.

(I) OPERATING LEVER SPRING

Requirement

The spring should hold operating lever against cam with light pressure. With spring removed

Min 2 oz---Max 3 oz
to stretch spring to 5/8 inch length.

3.40 Timing Contact Mechanism (Operated by Selector) (continued)

(A) TIMING VERIFICATION, 11.00 UNIT CODE

Note 1: DXD means distortion test set.

Note 2: Requirements (1), (2), or (4), may be omitted if the stroboscopic tests of Requirement (3) are to be made.

(1) Requirement

TP174451 Cam: With range scale at 45, manually rotate main shaft with selector armature spacing. The M contacts should close soon after, but not before, the locklever blocks the selector armature after the no. 8 selection. Continue rotation into the next cycle. With the selector armature marking, note that the M contacts again close and that they open and the B contacts close before the selector clutch slips (it may not latch because of the slow rotation).

(2) Requirement

TP174450 Cam: With range scale at 90 and the selector marking, rotate the shaft and latch the clutch. The M contacts should be closed. Trip the clutch and slowly rotate the shaft. The B contacts close after rotation starts. Repeat at range setting 45.

(3) Requirement

Stroboscopic Tests: Connect the B-S or S-M terminals (as required into a 120 v dc viewing circuit of 11.00 unit DXD or similar stroboscopic test set, 600 opm. Connect the DXD test message output or a comparable signal source in a line circuit to the selector magnets. Set distortion at zero. Synchronize the viewing scale with the transmitted signals. Observe DXD stroboscopic display of signals listed below. Ignore rhythmic shifting of a signal. This shifting occurs because of slight rotational displacement of the motor armature (and of the selector cam) as it encounters loads such as line feed, etc, from one printer cycle to the next. The shifting is exhibited as lighter colored display at the beginning or end of a signal. True readings are at the observed midpoints of shifting areas. If any shift area should be excessive, say over 18 DXD divisions total, it may be indication of binds, slippages, or wear in the machine. Signals should be clear of gaps (except see ++ below) (indicate dirt, chatter, or bounce) after the first ten DXD divisions of closure. Where only one range setting is specified, it indicates that tests at that setting are sufficient to verify performance at other settings.

3.41 Timing Contact Mechanism (Operated by Selector) (continued)

<u>Test Conditions</u>		<u>Signal Length in Viewed DXD Divisions</u>	
<u>Cam</u>	<u>Contact Pair</u>	<u>Message Stopped, Marking</u>	<u>Message Running</u>
TP174451	S-M	Dark at range 45	Min 104 at range 90. Begins after 11 of beginning of stop pulse, ends before 148 of stop pulse.
	B-S	1100 at range 45	++890-979
TP174450	S-M	1100 at range 45 & 90	++ Min 148 at range 90. Begins in stop pulse, ends before 48 of #1 pulse.
	B-2	Dark at range 45	++845-948
TP323070	B-S		

++ While viewing DXD, slowly move range scale from 90 to 45. If, at some setting there is within the signal a gap, it should not exceed 8 DXD divisions.

(4) Requirement

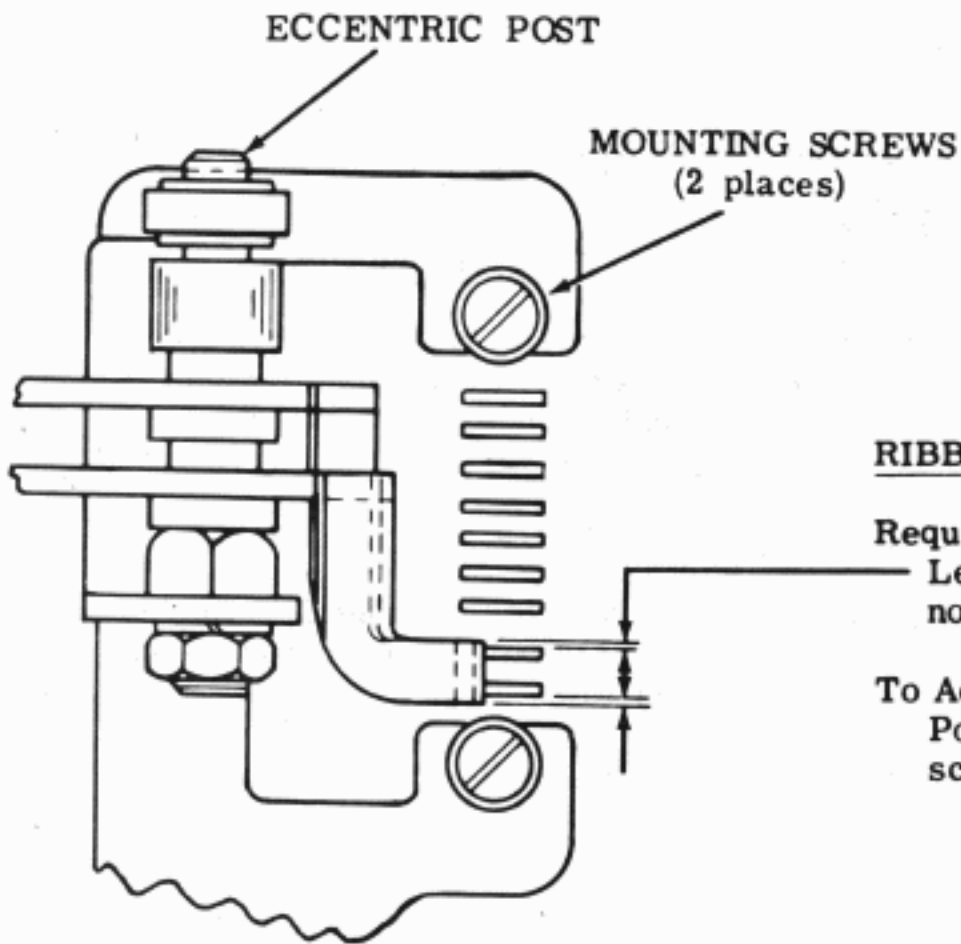
TP323070 Cam: With range scale set at 50 and the clutch latched, the normally closed contact should be closed. Trip the clutch and manually rotate the main shaft. The contact should open after the locklever is in place for the number one selection and close before the locklever is in place for the number five selection.

(B) CORRECTION OF TIMING

Check for the following:

- (1) Wrong cam
- (2) Range scale knob maladjusted
- (3) Contact, lever, and bracket adjustments. Refine if required.
- (4) Parts loose
- (5) Contacts dirty
- (6) Improper test connections
- (7) Improper synchronism of sending and stroboscopic portions of test set. Note that test message is to be sent direct to selector magnets. Introduction of a line relay, contact protection network, or any other condition affecting magnet release time will displace the viewed signals produced by the modification kits.

3.42 Two Color Ribbon Mechanism



RIBBON LEVERS

Requirement

Lever extensions fully engaged by codebars no. 6 and 7, as gauged by eye.

To Adjust

Position contact assembly with mounting screws friction tight.

(Left Side View)

CONTACT ACTIVATING LEVER

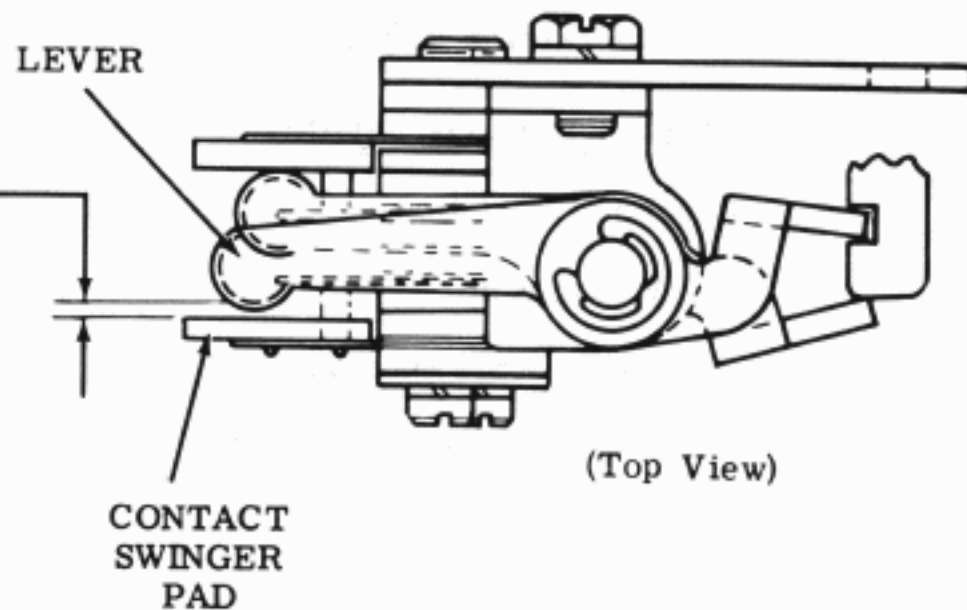
Requirement

With codebars no. 6 and 7 in same condition (marking or spacing), the clearance between the contact swinger pad and its respective lever should be

Min 0.010 inch

To Adjust

Position eccentric post; keep high part of eccentric toward left of unit.



(Top View)

3.43 Two Color Ribbon Mechanism (continued)

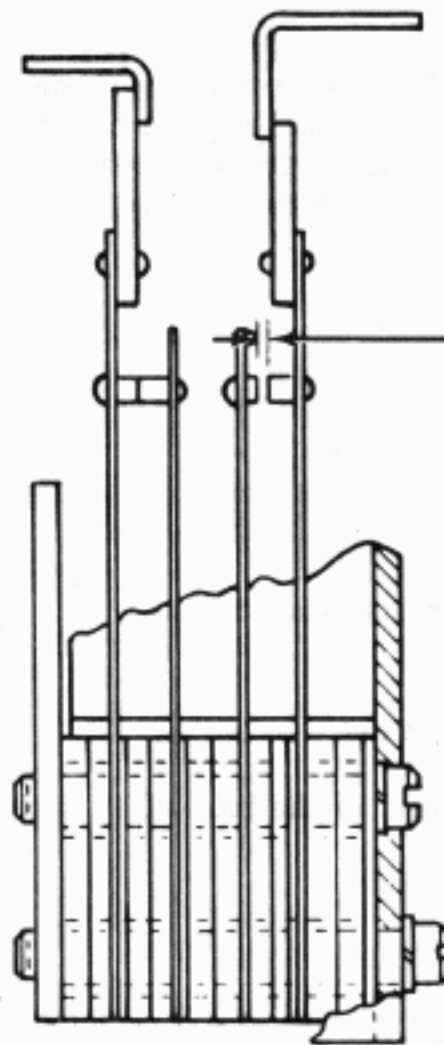
CONTACT SPRING

Requirement

To separate the normally closed contacts, it should require
 Min 1-1/2 oz---Max 2-1/2 oz

To Adjust

Bend stationary contact spring.



CONTACT GAP

Requirement

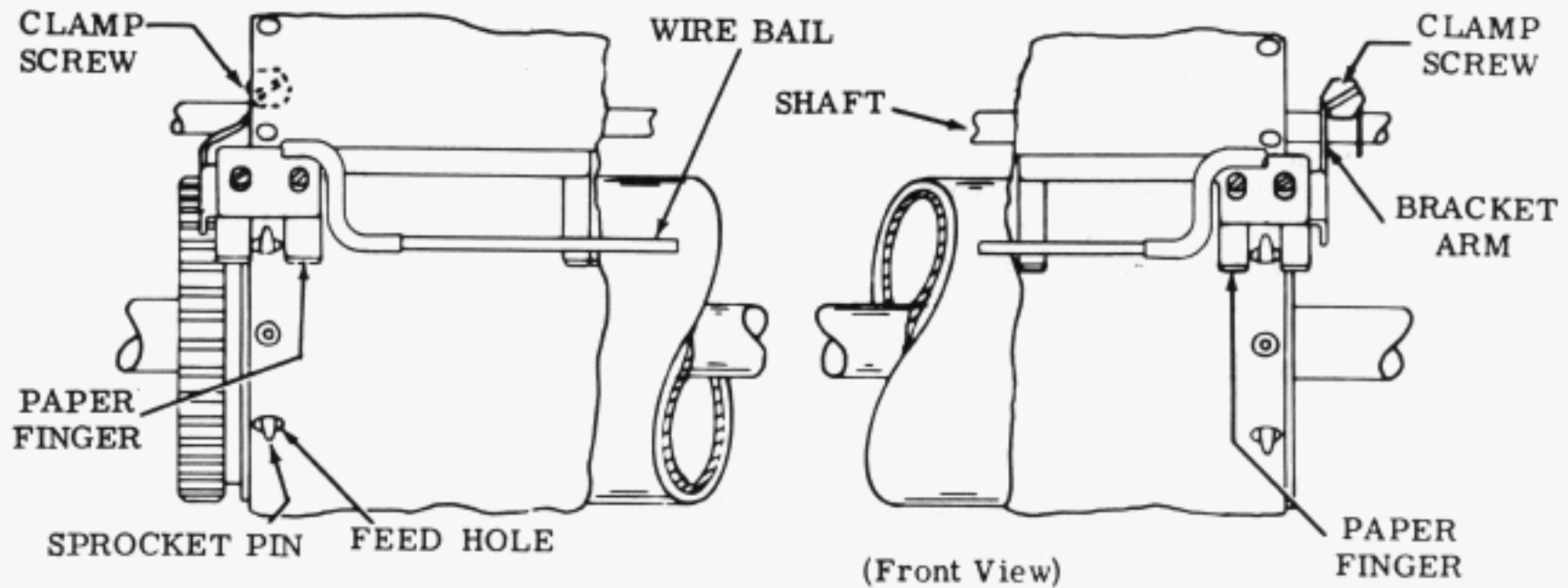
With no. 6 and 7 codebars in opposite conditions (one marking and one spacing), there should be a gap between the contact points
 Min 0.020 inch

To Adjust

Refine CONTACT ACTIVATING LEVER (3.42).

(Top View)

3.44 Paper Jam Alarm (Sprocket Feed)



Note: Before proceeding with WIRE BAIL adjustment, loosen switch plate mounting screws and rotate switch and latch to a position where they do not interfere with bail. Position the spring post by means of set collar so that spring has some initial tension. Spring post should be approximately 30° from vertical (see drawing, 3.46).

WIRE BAILRequirement

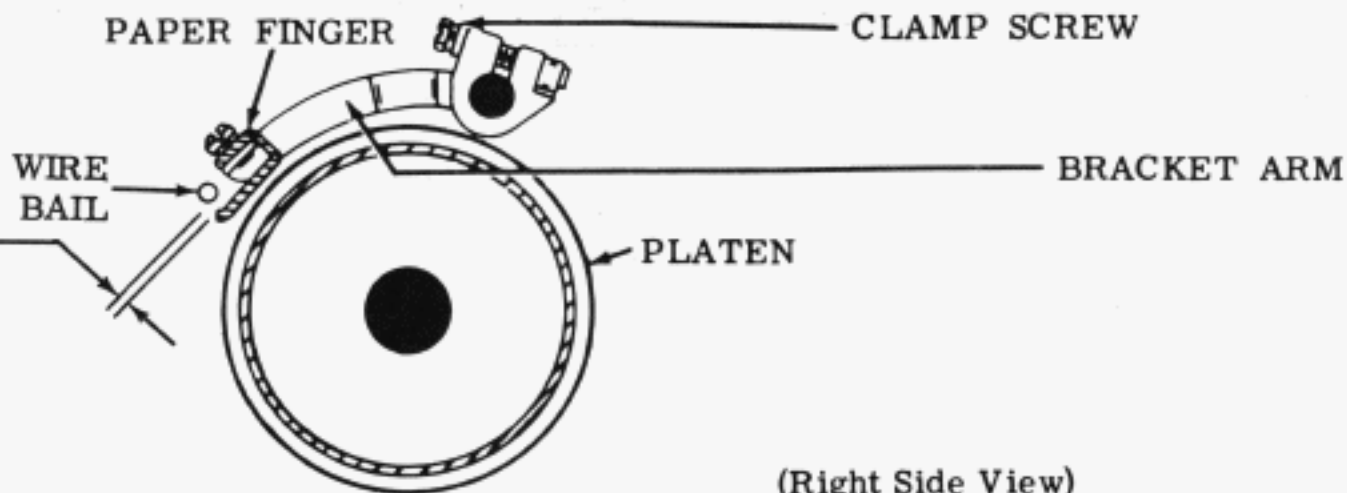
Wire bail should rest on paper fingers approximately in radius of fingers. Wire bail should touch at least one finger with not more than

Max 0.015 inch
clearance between other finger and wire bail.

To Adjust

Bend wire bail to meet requirement.

Note: Make sure there is no bind in the bail after making adjustment.



(Right Side View)

3.45 Paper Jam Alarm (Sprocket Feed) (continued)

SWITCH POSITION**Requirement**

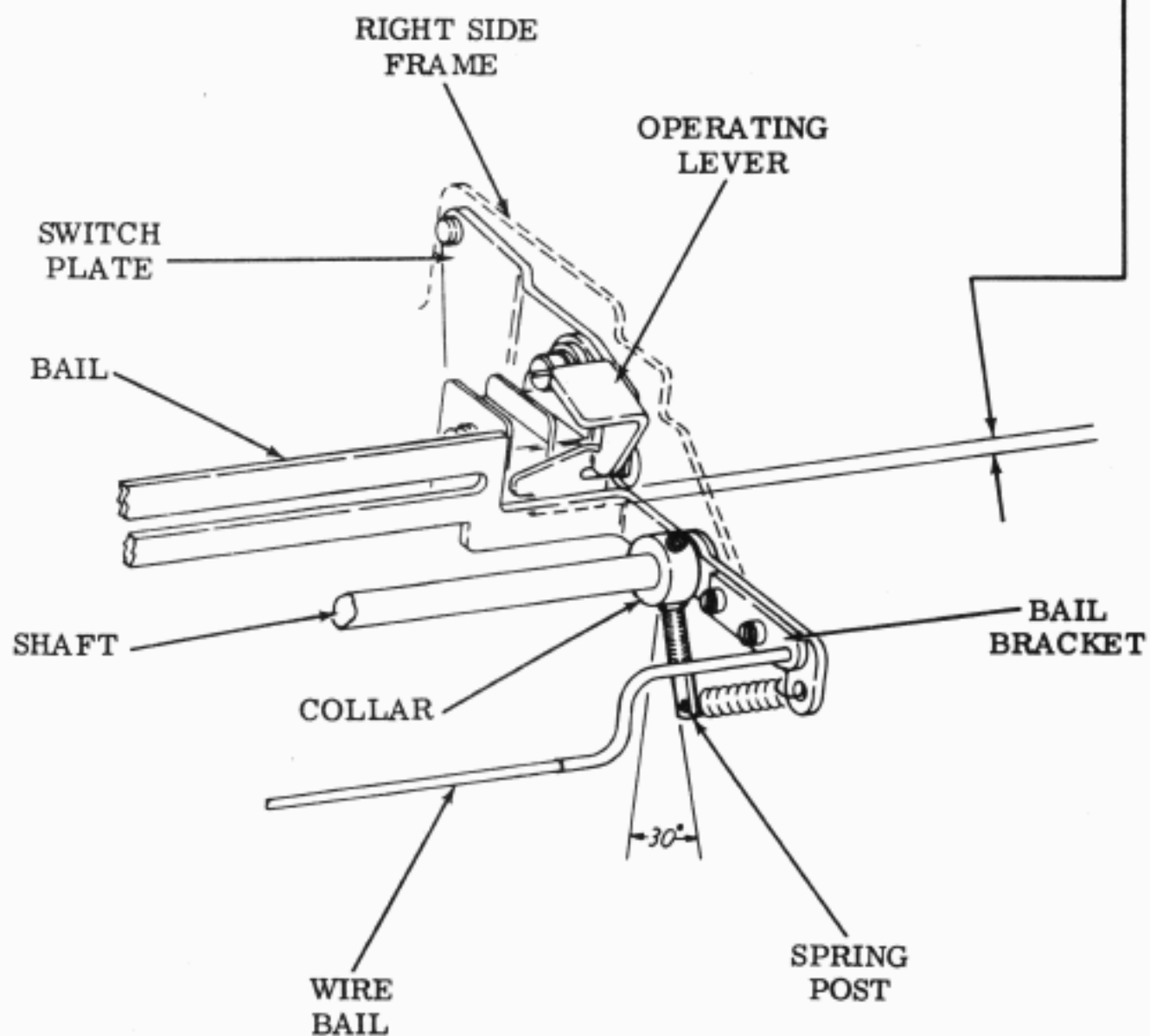
With wire bail held against paper fingers and operating lever latched behind operating bail, there should be

Min 0.035 inch---Max 0.065 inch

between top of bail and bottom of step in lever. Lever should depress switch plungers sufficiently to operate switches.

To Adjust

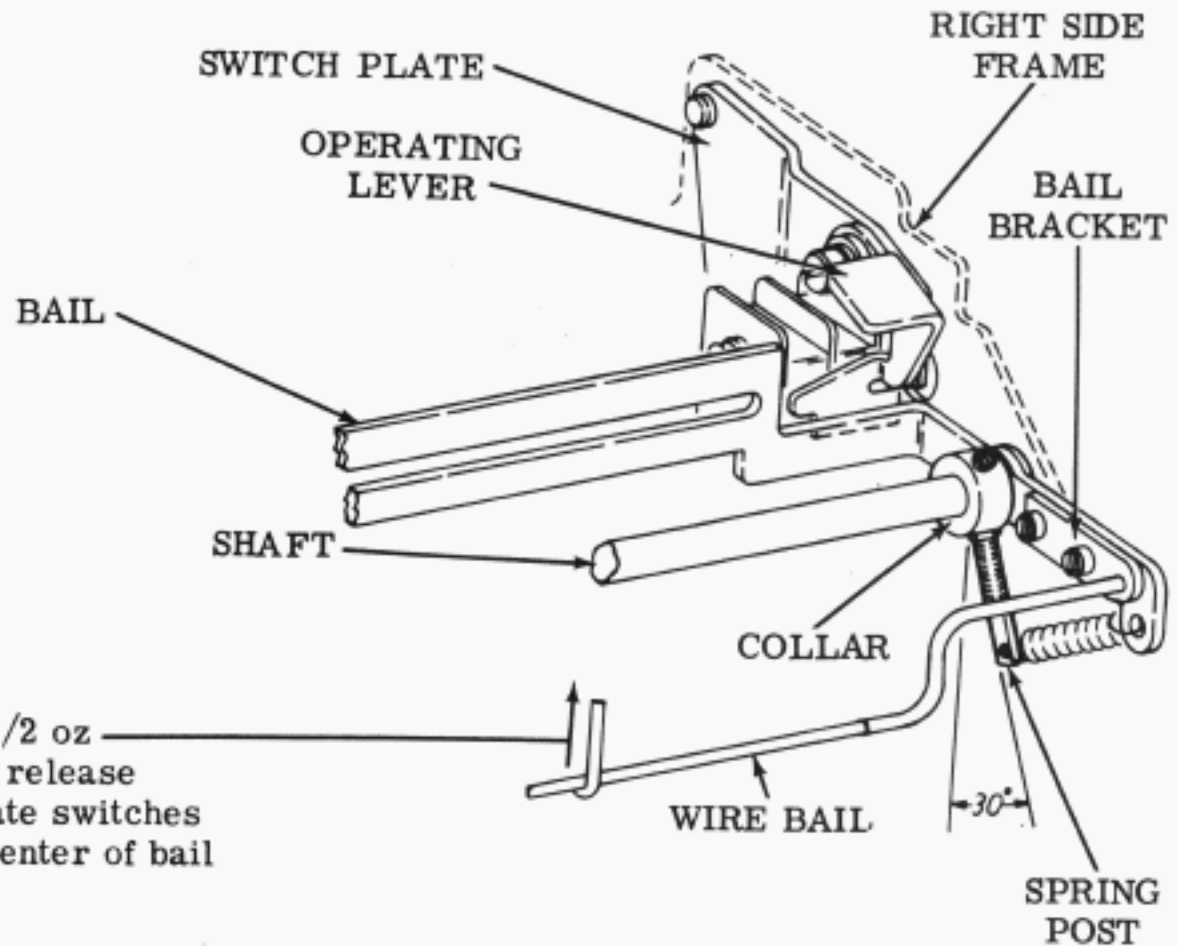
Loosen screws and position switch plate. Tighten screws.



(Right Front View)

3.46 Paper Jam Alarm (Sprocket Feed) (continued)

(Right Front View)



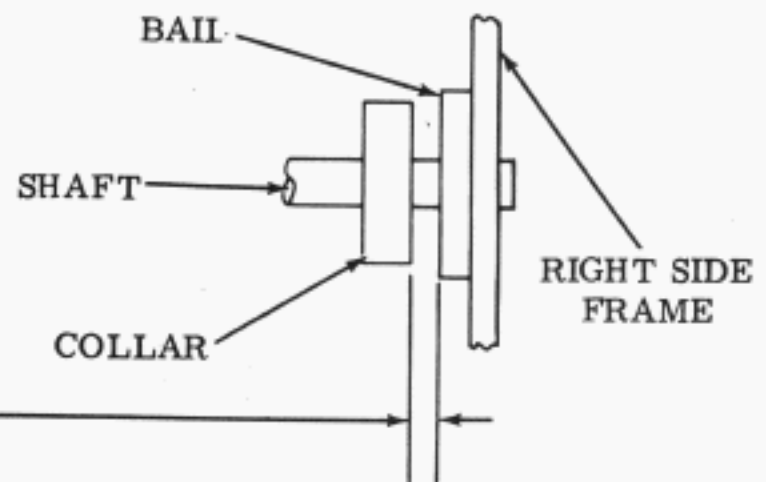
BAIL SPRING

(1) Requirement

It should require
 Min 1/2 oz---Max 1-1/2 oz
 to lift bail high enough to release
 operating lever and operate switches
 when scale is hooked to center of bail
 and pulled vertically.

(2) Requirement

Position collar laterally to provide
 Min some---Max 0.006
 endplay for bail.



To Adjust

Loosen setscrew. Position collar to meet requirements. Tighten setscrew.

(Right Front View)

Note 1: With play of bail taken to right, left side of bail should clear left paper finger arm. Refine left PAPER FINGER (SPROCKET FEED) (2.79) adjustment if necessary.

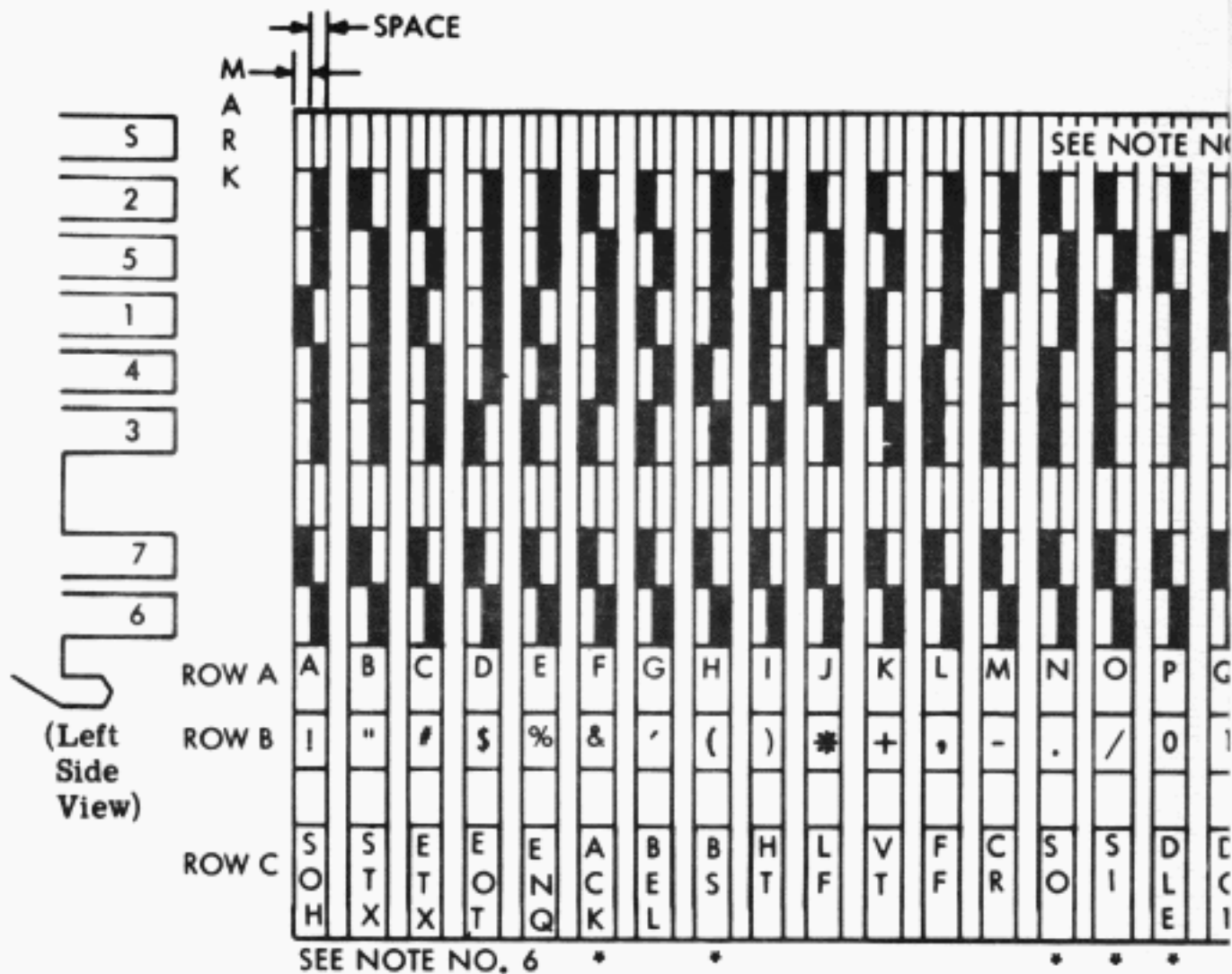
Note 2: With typing unit installed in its cabinet, lift bail to its maximum upward position, there should be some clearance between bail and operating lever.

Note 3: BAIL SPRING adjustments may be refined to make mechanism more or less sensitive to paper buckling.

3.47 Universal Function Bar

CODING

CODING FOR 8



Coding for row A is as shown.
For coding of rows B, C, and D see
Notes below.



Notes:

1. To operate function bars on symbols and numbers in row B, number 6 tine is left on the marking side and, number 7 tine is left on the spacing side.
2. To operate function bars on nonprinting functions in row C, number 6 and number 7 tines are left on the spacing side.
3. Suppression tine can be coded marking, spacing, or both to control the function bar. In selective calling systems and systems using the stunt shift solenoid, code as follows:
 - a. To sense suppression bar in mark (nonselect or nonprint), break off the spacing tine.
 - b. To sense suppression bar in space (solenoid operated, select or print), break off the marking tine.
 - c. To sense in either condition break off both tines.
 - d. In TWX and other systems not using a stunt shift solenoid, the suppression codebar is held by a clip in the spacing position. Break off marking tine.

