

HIGH SPEED TAPE RECEIVER CABINET (AC) AND ELECTRICAL COMPONENTS
TYPE 5
PARTS

| FIGURE | CONTENTS | PAGE |
|--------|---|------|
| 1 | Cabinet | 3 |
| 2 | Cabinet (Continued) | 4 |
| 3 | Fan and Power Cord | 5 |
| 4 | Front Panel | 6 |
| 5 | Inner Frame and Tape Winder | 7 |
| 6 | Right and Left Channels | 8 |
| 7 | Chad Disposal | 8 |
| 8 | Tape Puller Mechanism | 9 |
| 9 | Punch Mounting Parts | 10 |
| 10 | Tape Container | 11 |
| 11 | 148562 Electrical Service Panel Assembly | 12 |
| 12 | 148850** Power Supply (Part of 199540** Receiver Module See Figure 13) | 13 |
| 13 | 199540** Receiver Module (See Figure 12 for 148850** Power Supply) | 14 |
| 14 | 148570 Frame Assembly | 15 |
| 15 | 199784 Receiving Station Identifier Assembly | 16 |
| 16 | 199788 Modification Kit to Provide Unattended Operation of a Send/Receive Station | 17 |
| 17 | Tape Container | 18 |
| 18 | Punch Cover | 19 |
| | Numerical Index | 20 |

**Refer to page 2 for finish suffix

PAINT FINISH COLOR CODE CHART

(for parts and assemblies requiring a paint finish)

| Color | Finish Suffixes | | | | Color | Finish Suffixes | | | | |
|----------------------|-----------------|---------------|----------------|--------------|---------------------|-----------------|---------------|----------------|--------------------------|---------|
| | Wrinkle Finish | Smooth Finish | Textured Vinyl | Smooth Vinyl | | Wrinkle Finish | Smooth Finish | Textured Vinyl | Smooth Vinyl | |
| Beige | AA (37) | ET | | | Gray, Federal | AB (40) | BV | GG | HB (68) HE HF (46) | |
| Beige, Light | | EL | | | HC | | Gray, Green | BK | | GA (45) |
| Beige, Rose | | ER | | | Gray, Light | | EJ | | | |
| Black | | BA (34) | | | Gray, Covert | | EW | GE | | |
| Black, High Gloss | | BB | | | Gray, Olive | | | | | |
| Black, Semi Gloss | | EK | | | Gray, Maritime Deck | | AJ | BJ | | |
| Blue, Aqua | | EC | | | Gray, Oxford | | | EP | | |
| Blue, Brussels Light | | ES | | | Green, Gray | | AB (40) | BK | | GA (45) |
| Blue, Medium | | | | | Green, Moss | | | EN | | HD |
| Brown, Dark | | AD (38) | | | | | | EM | | |
| Brown, Light | AC (39) | | HG | EU | | | | | | |
| Fawn | | | HA | EV | | | | | | |
| Gray, Beige | | GC | | EH | | | | | | |
| Gray, Charcoal | AL | BZ | GF | EG | | | | | | |
| Gray, Dark | | | GB | | | | | | | |
| | | | | | White | | | | | |
| | | | | | Yellow, Pastel | | | | | |

The double asterisk (**) denotes a painted part. Suffix to be applied following the part number. Number in parentheses indicates Bell System code.

| MULTI-COLOR APPARATUS COLOR CODES | | |
|-----------------------------------|-------------|-----------------|
| Color Code | Basic Color | Finish Suffixes |
| MA | BEIGE | HC and HG |
| MB | GRAY | HB and HE |
| MC | GREEN | HD and HB |
| MH | GRAY | BJ and EJ |

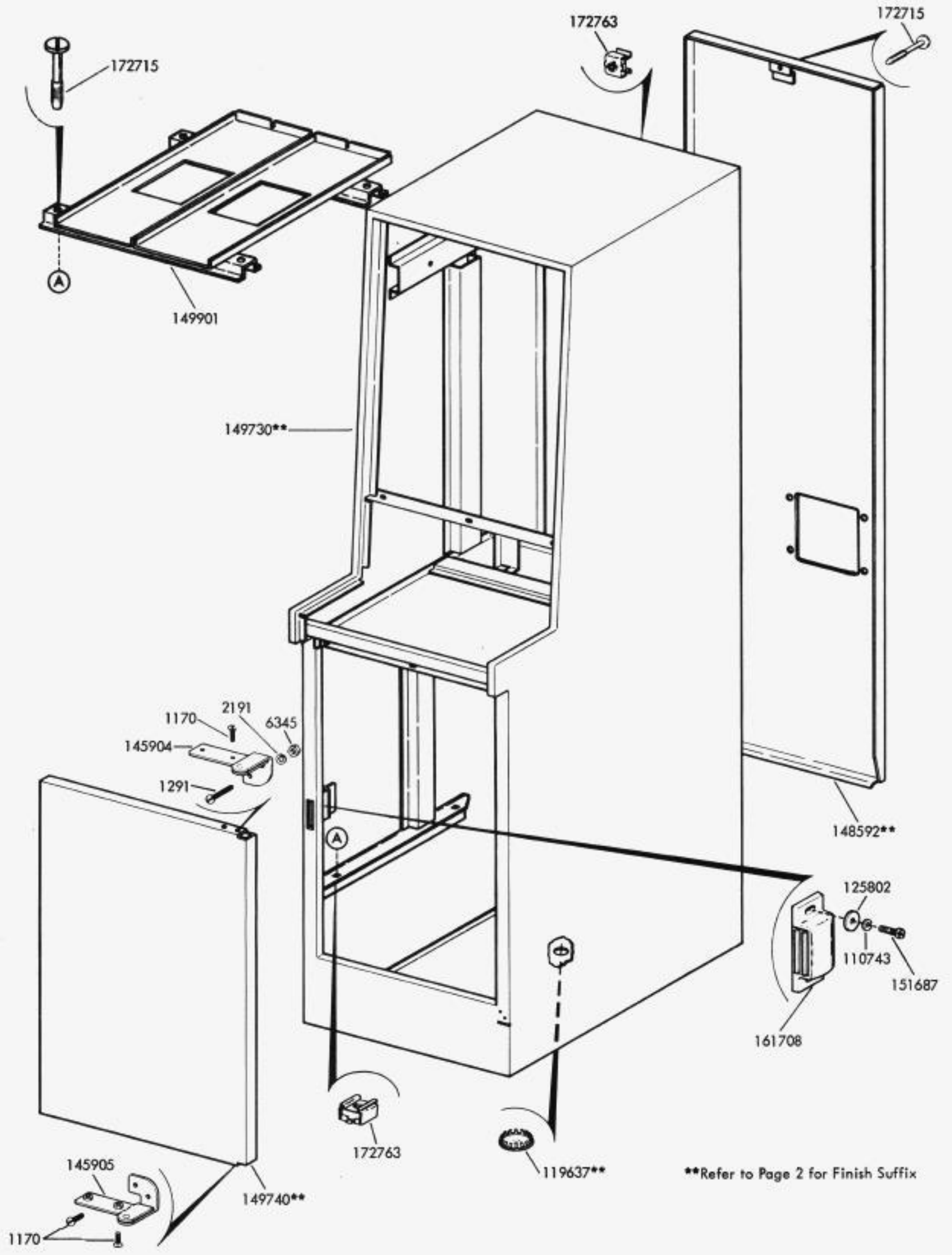


FIGURE 1. CABINET

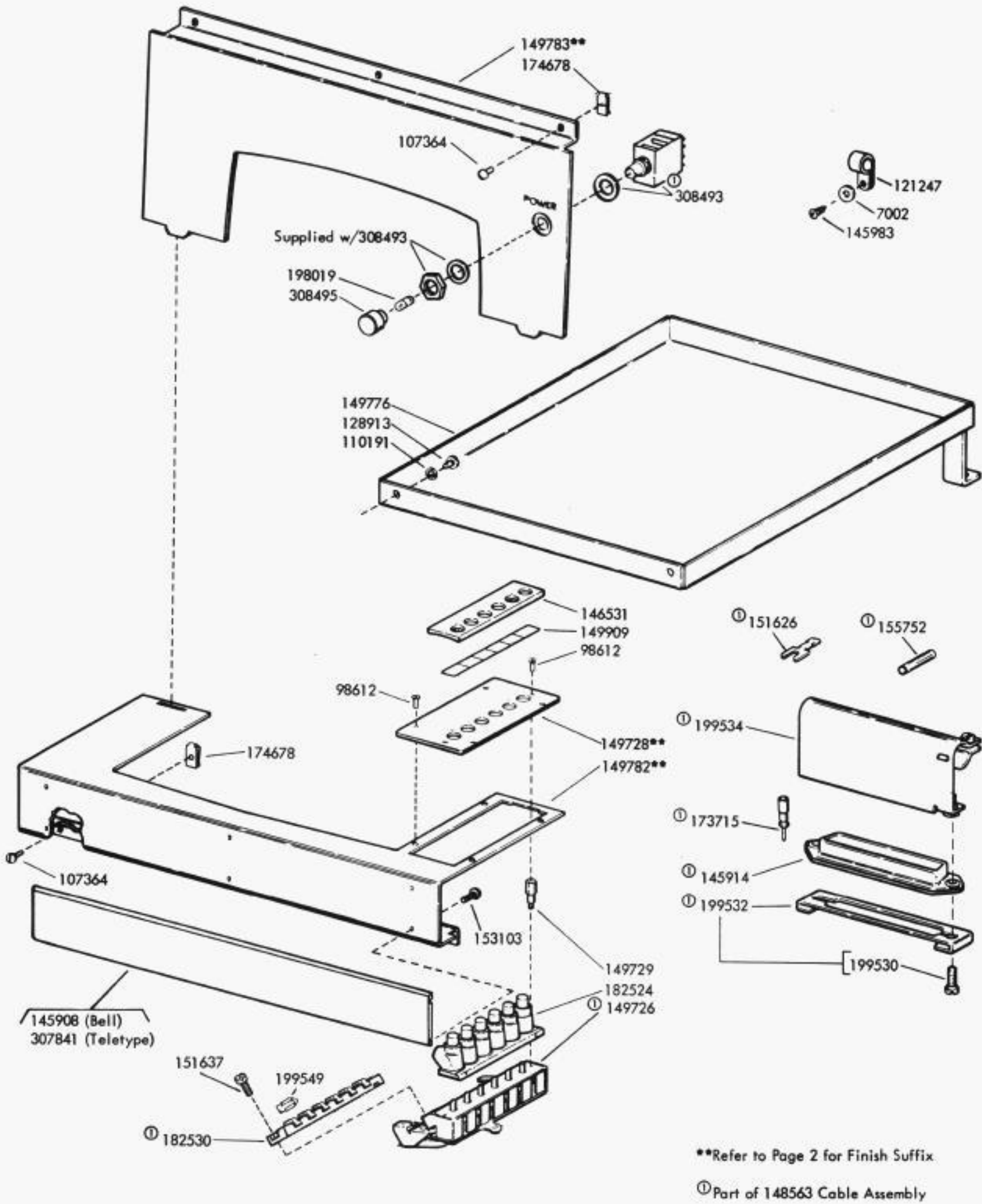
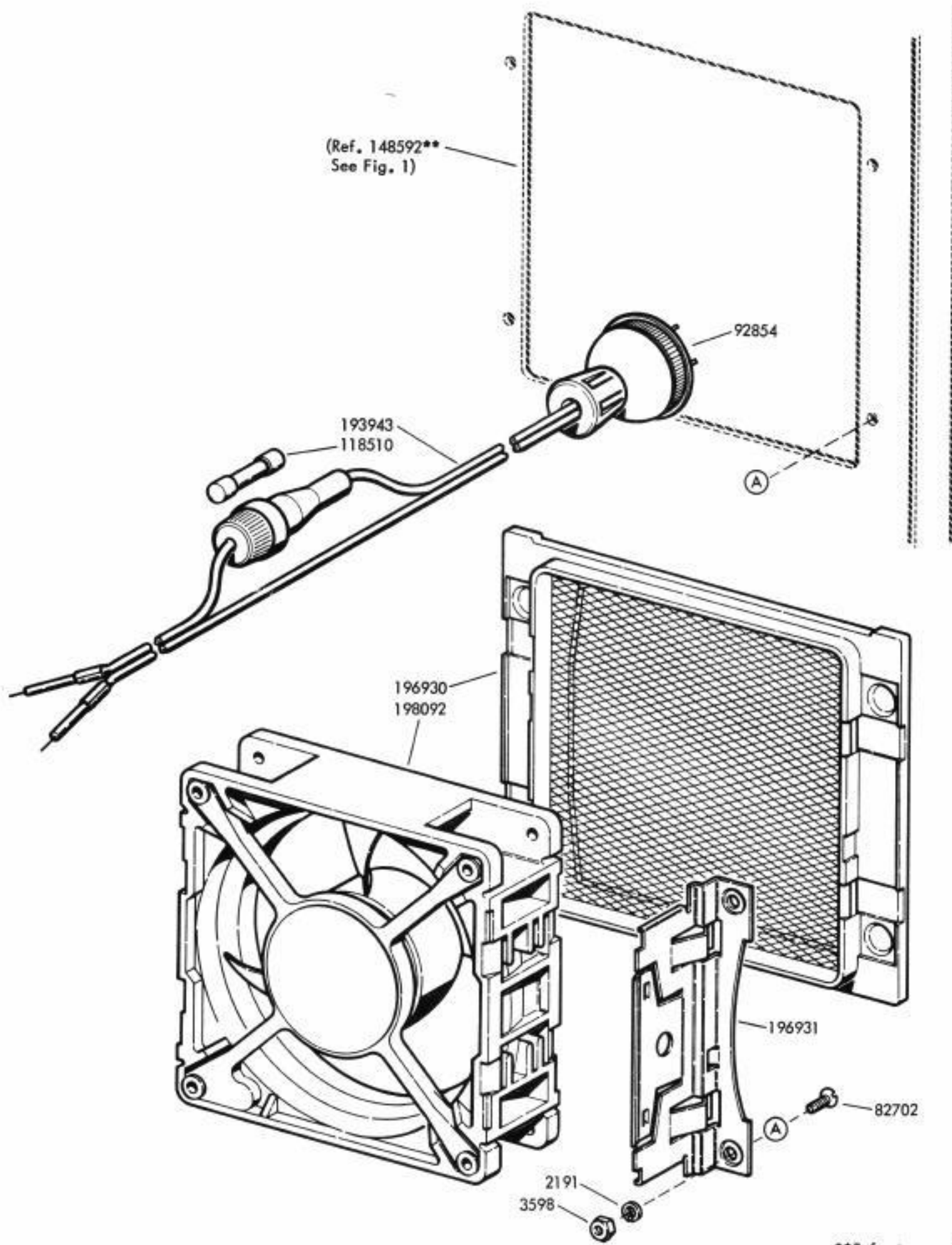
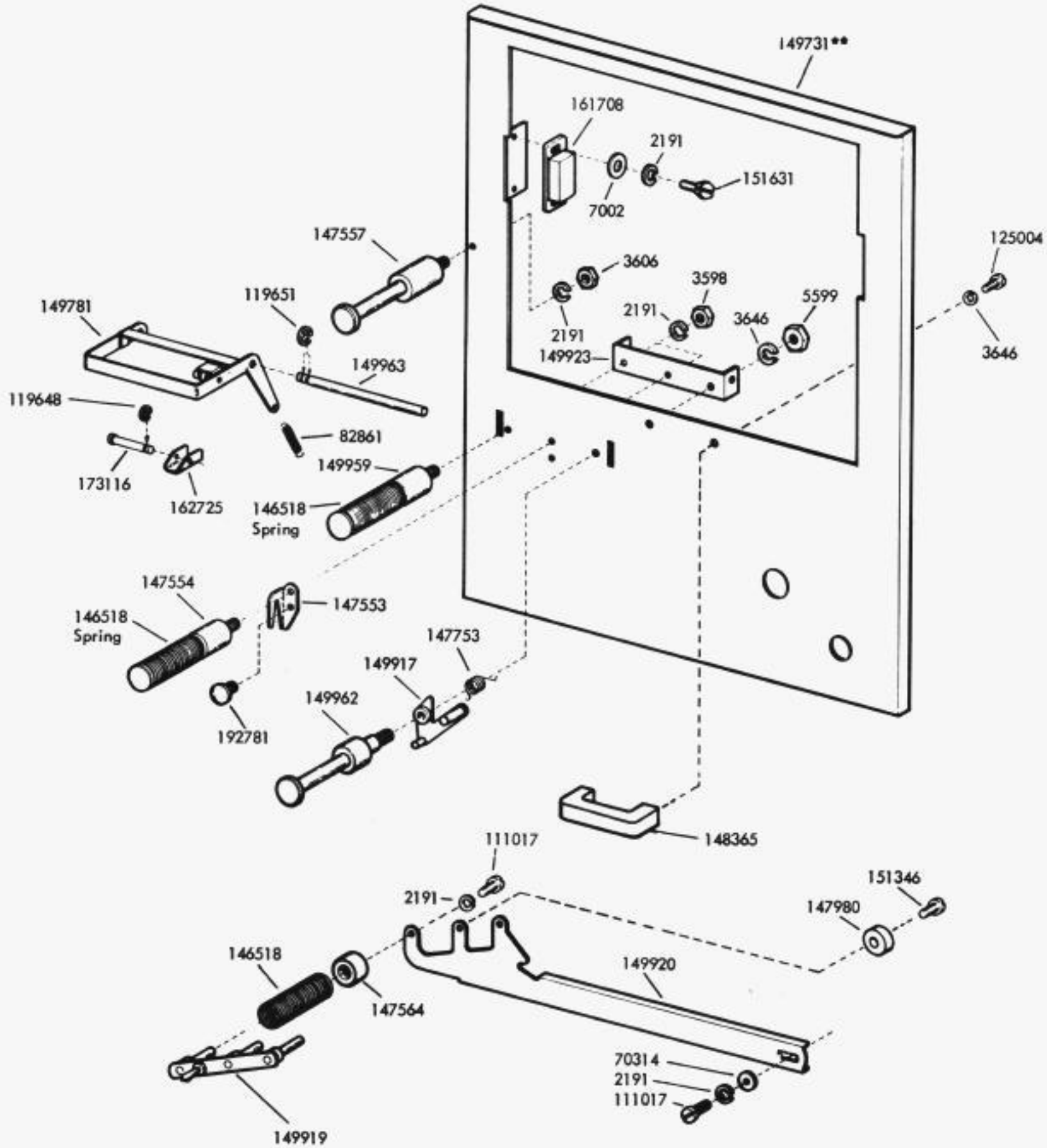


FIGURE 2. CABINET (Continued)



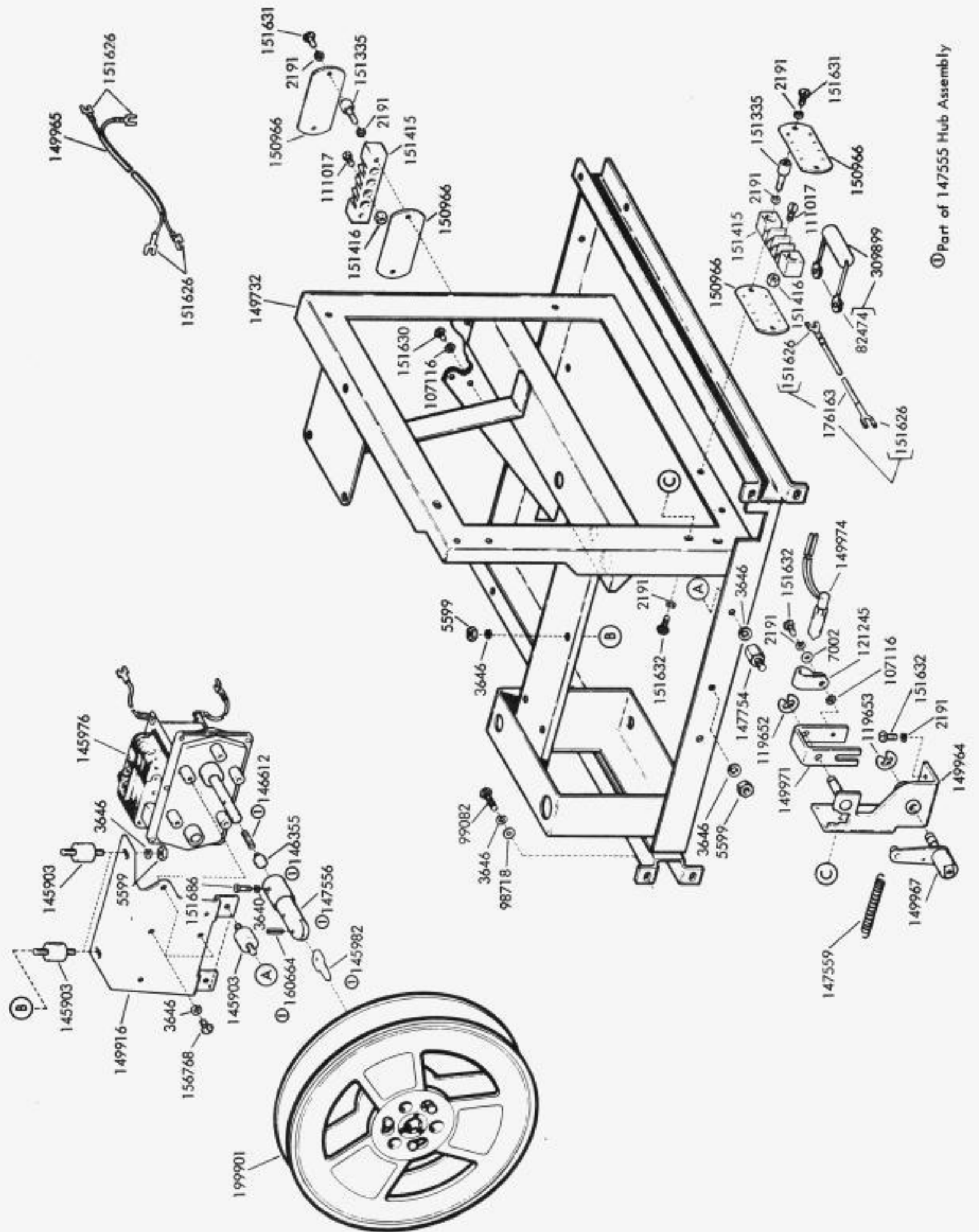
**Refer to page 2 for finish suffix

FIGURE 3. FAN AND POWER CORD



**Refer to page 2 for finish suffix

FIGURE 4. FRONT PANEL



① Part of 147555 Hub Assembly

FIGURE 5. INNER FRAME AND TAPE WINDER

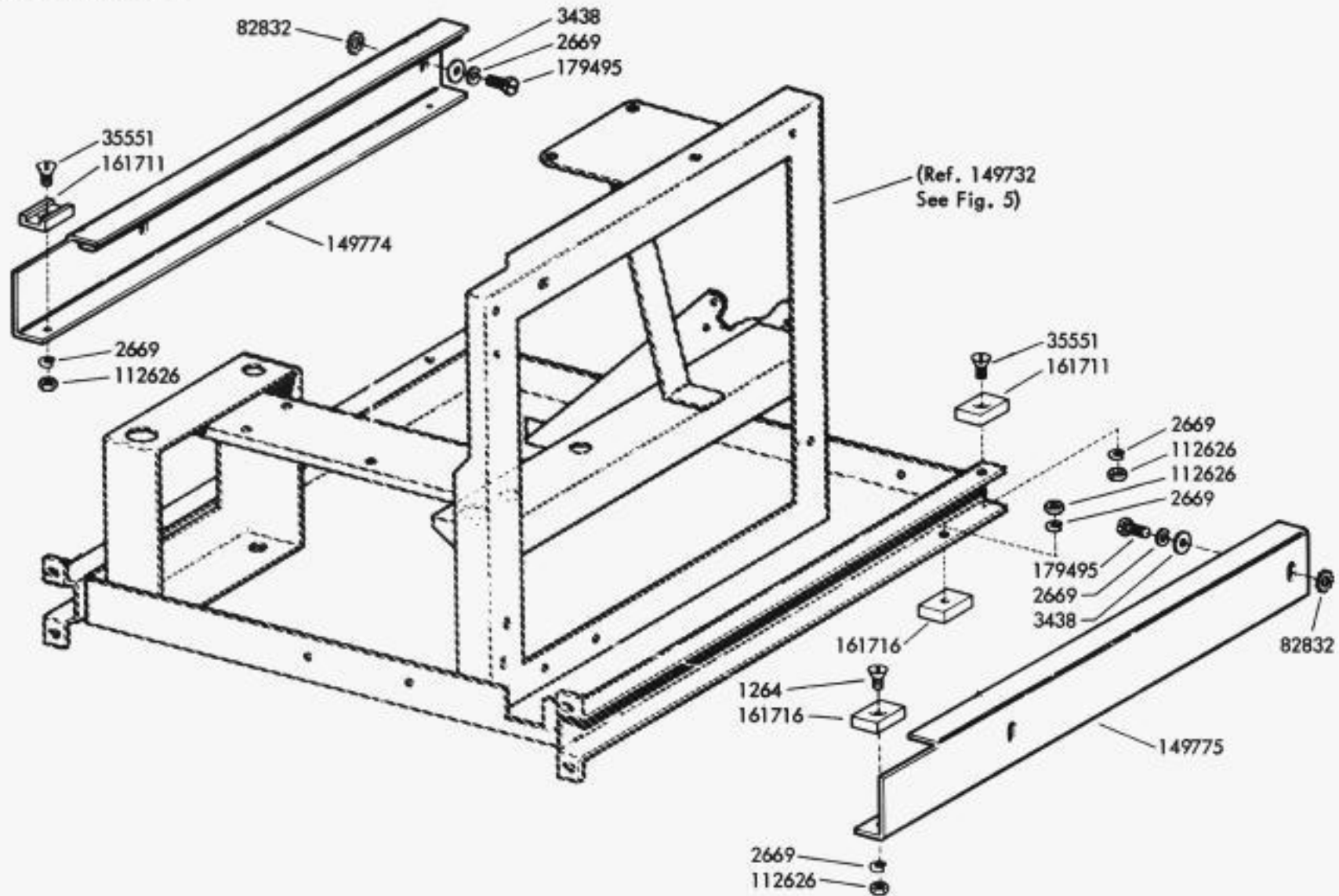


FIGURE 6. RIGHT AND LEFT CHANNELS

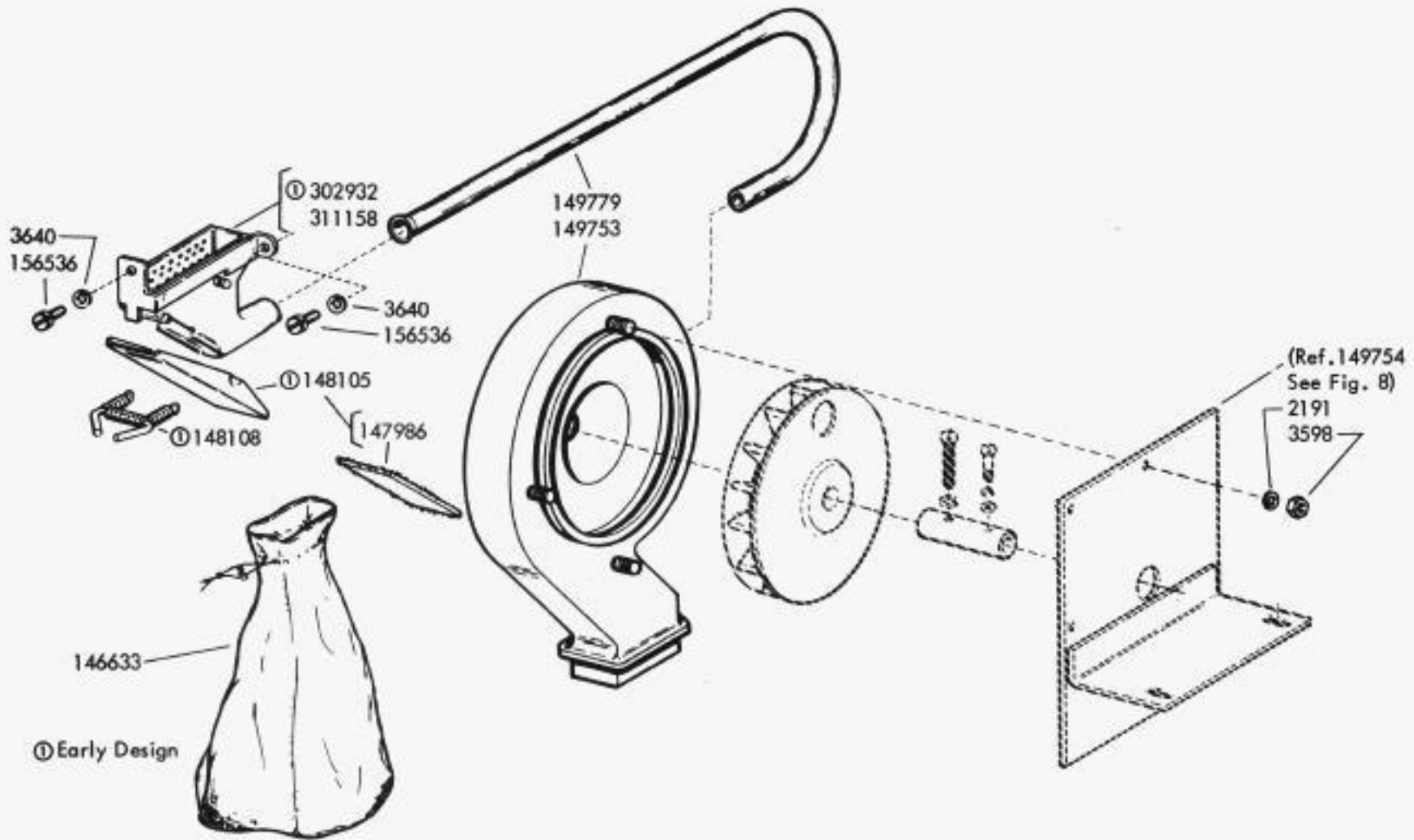


FIGURE 7. CHAD DISPOSAL

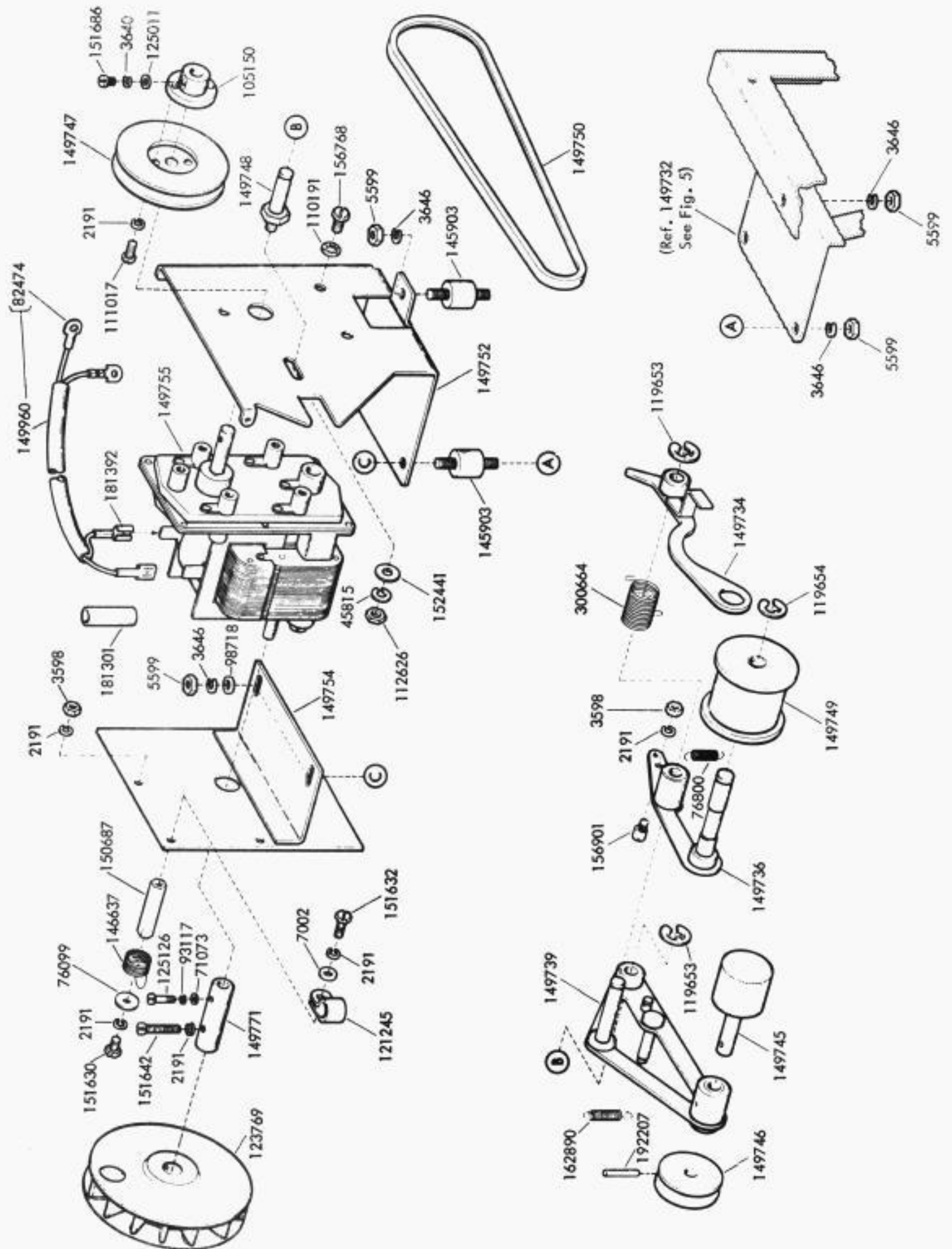


FIGURE 8. TAPE PULLER MECHANISM

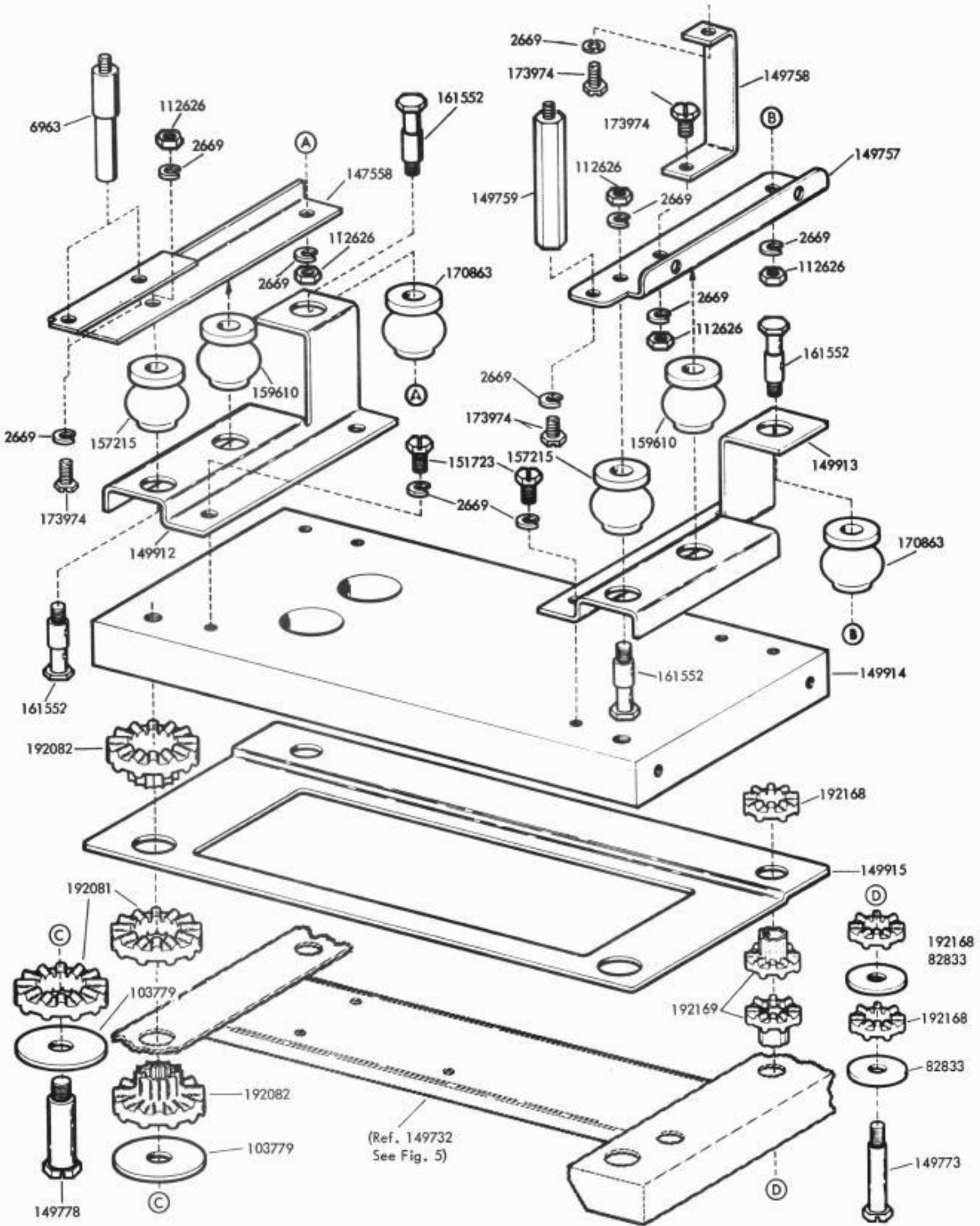
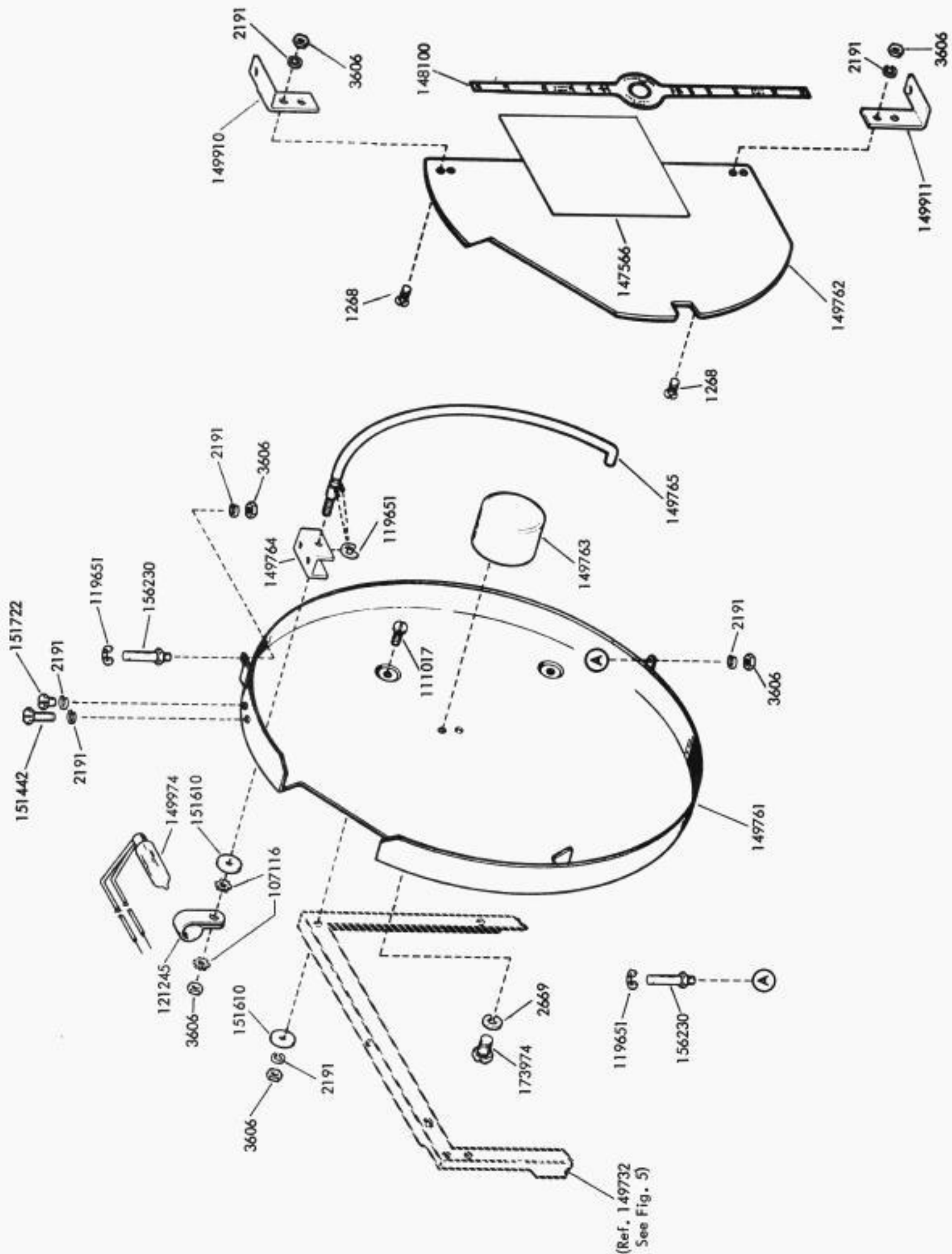


FIGURE 9. PUNCH MOUNTING PARTS



Early Design, See Figure 17 for Latest Design.

FIGURE 10. TAPE CONTAINER

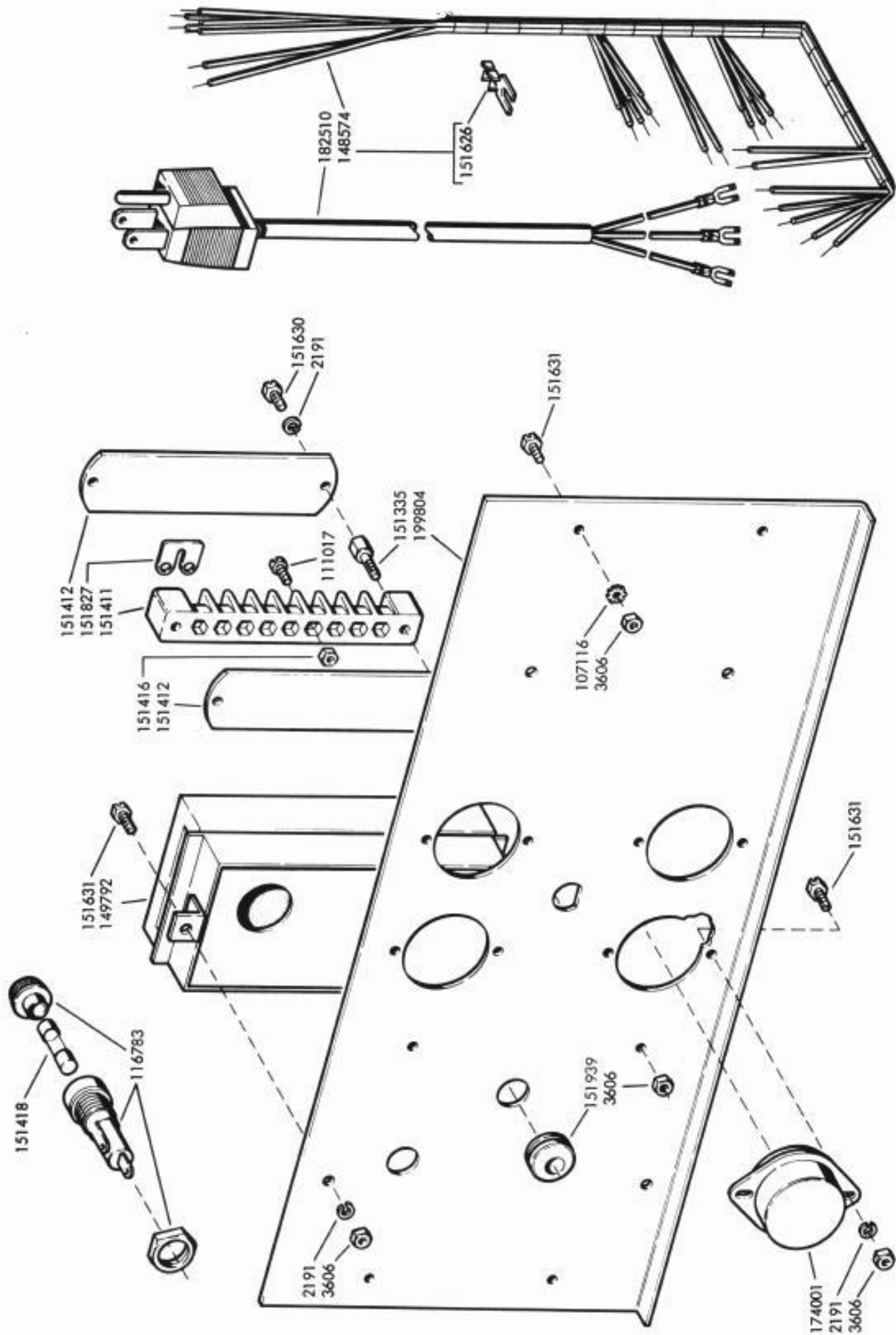
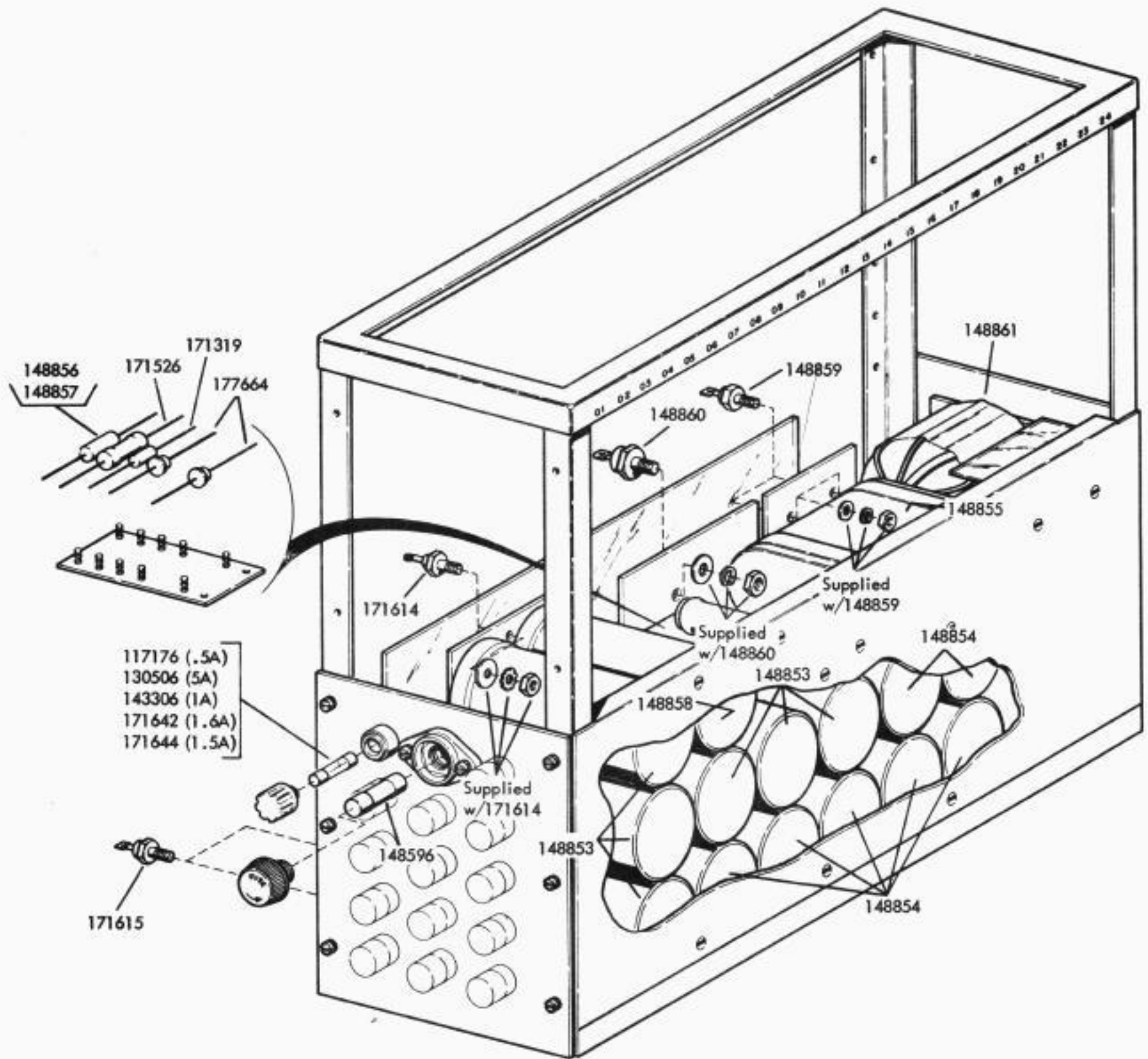


FIGURE 11. 148562 ELECTRICAL SERVICE PANEL ASSEMBLY



**Refer to page 2 for finish suffix

FIGURE 12. 148850** POWER SUPPLY (PART OF 199540** RECEIVER MODULE SEE FIGURE 13)

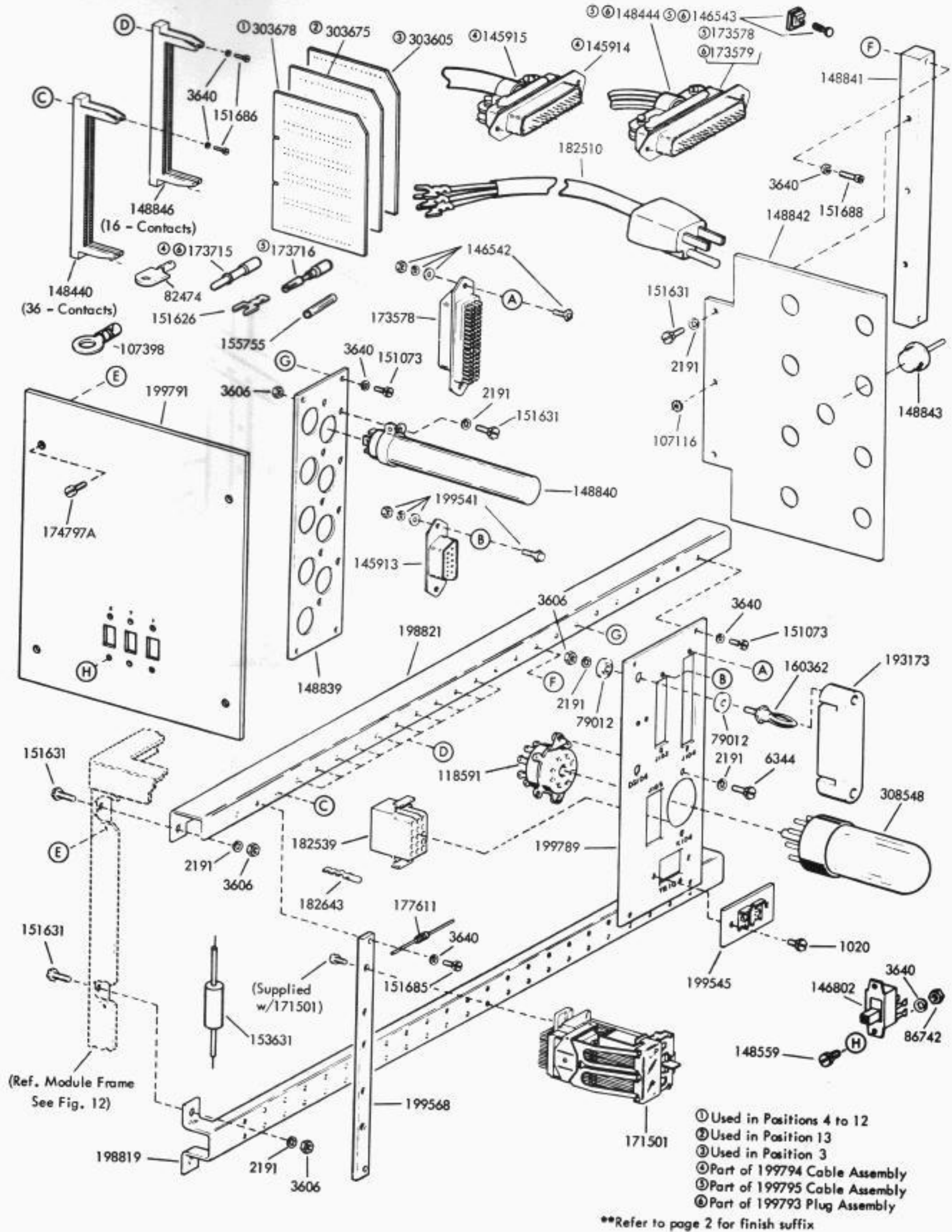
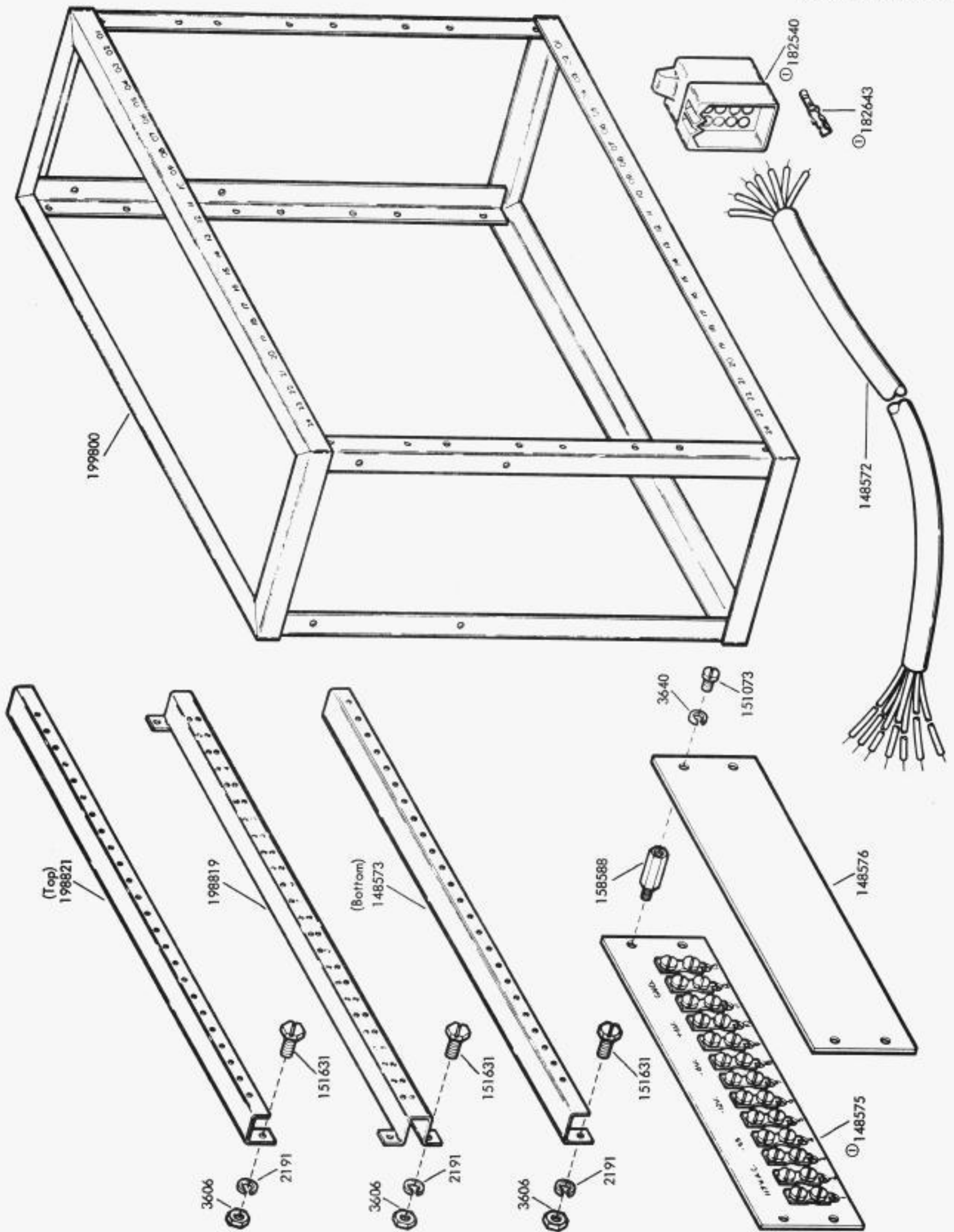


FIGURE 13. 199540** RECEIVER MODULE (SEE FIGURE 12 FOR 148850** POWER SUPPLY)



① Part of 148572 Cable Assembly

FIGURE 14. 148570 FRAME ASSEMBLY

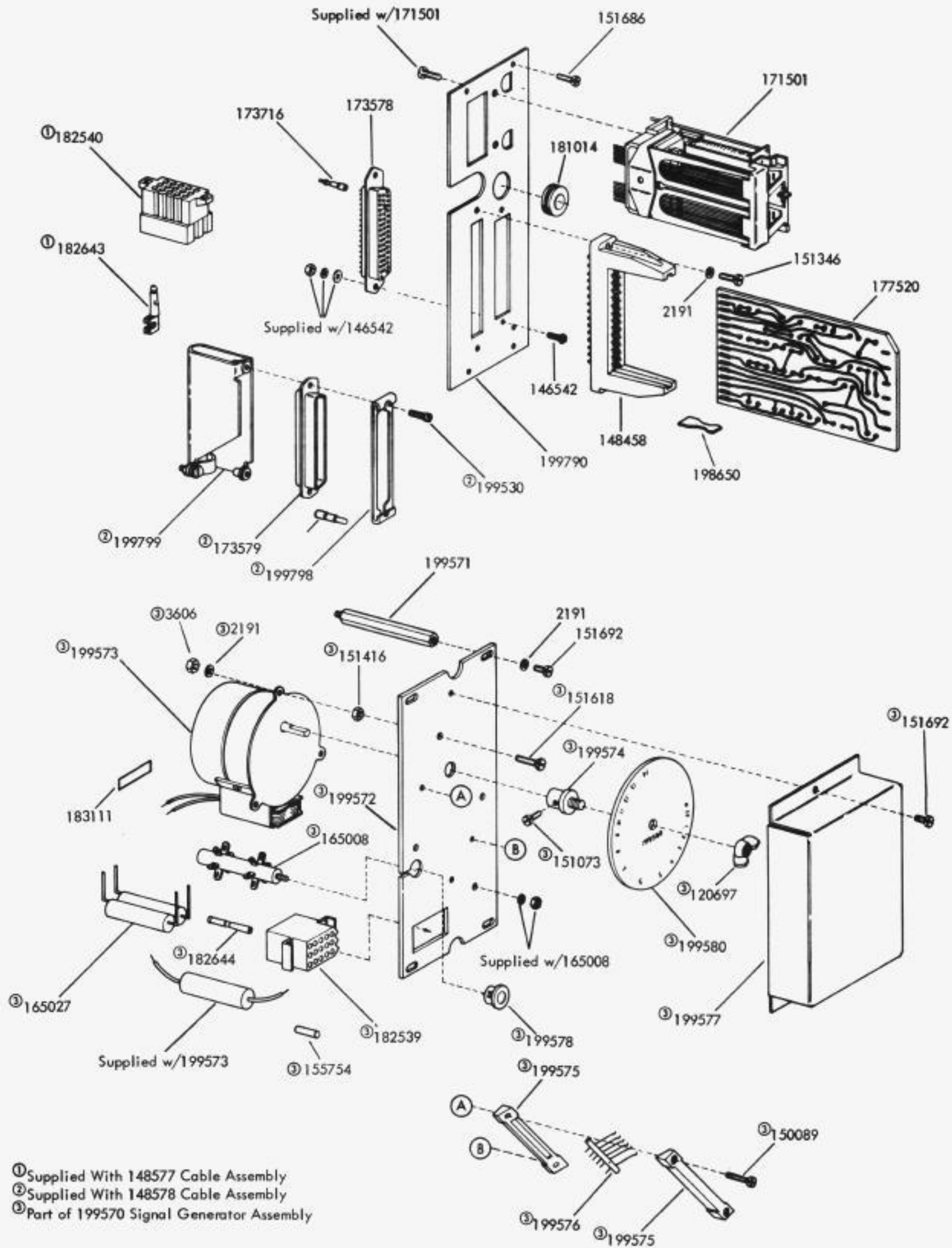
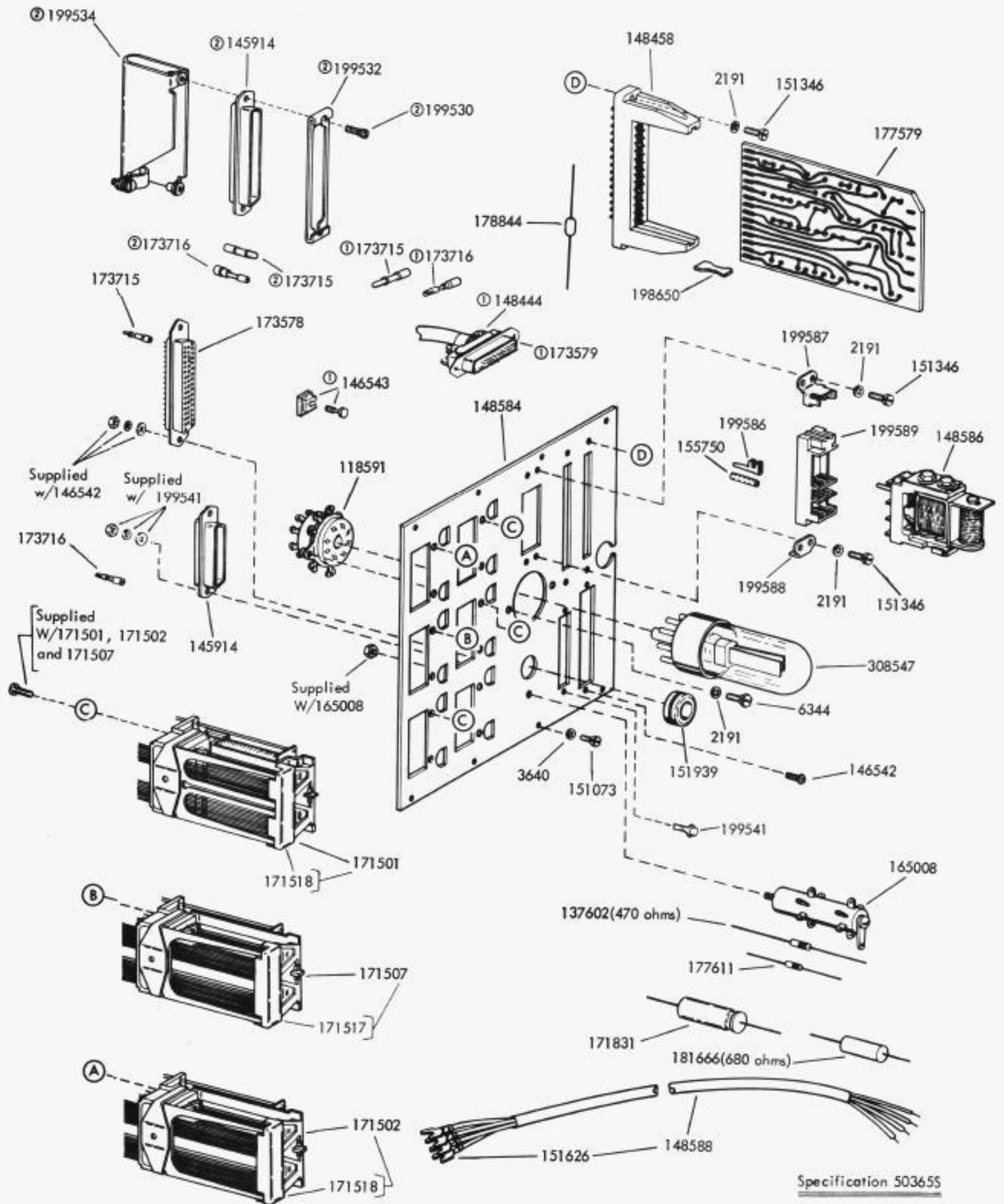


FIGURE 15. 199784 RECEIVING STATION IDENTIFIER ASSEMBLY



① Part of 148587 Cable Assembly
 ② Part of 148590 Cable Assembly

FIGURE 16. 199788 MODIFICATION KIT TO PROVIDE UNATTENDED OPERATION OF A SEND/RECEIVE STATION

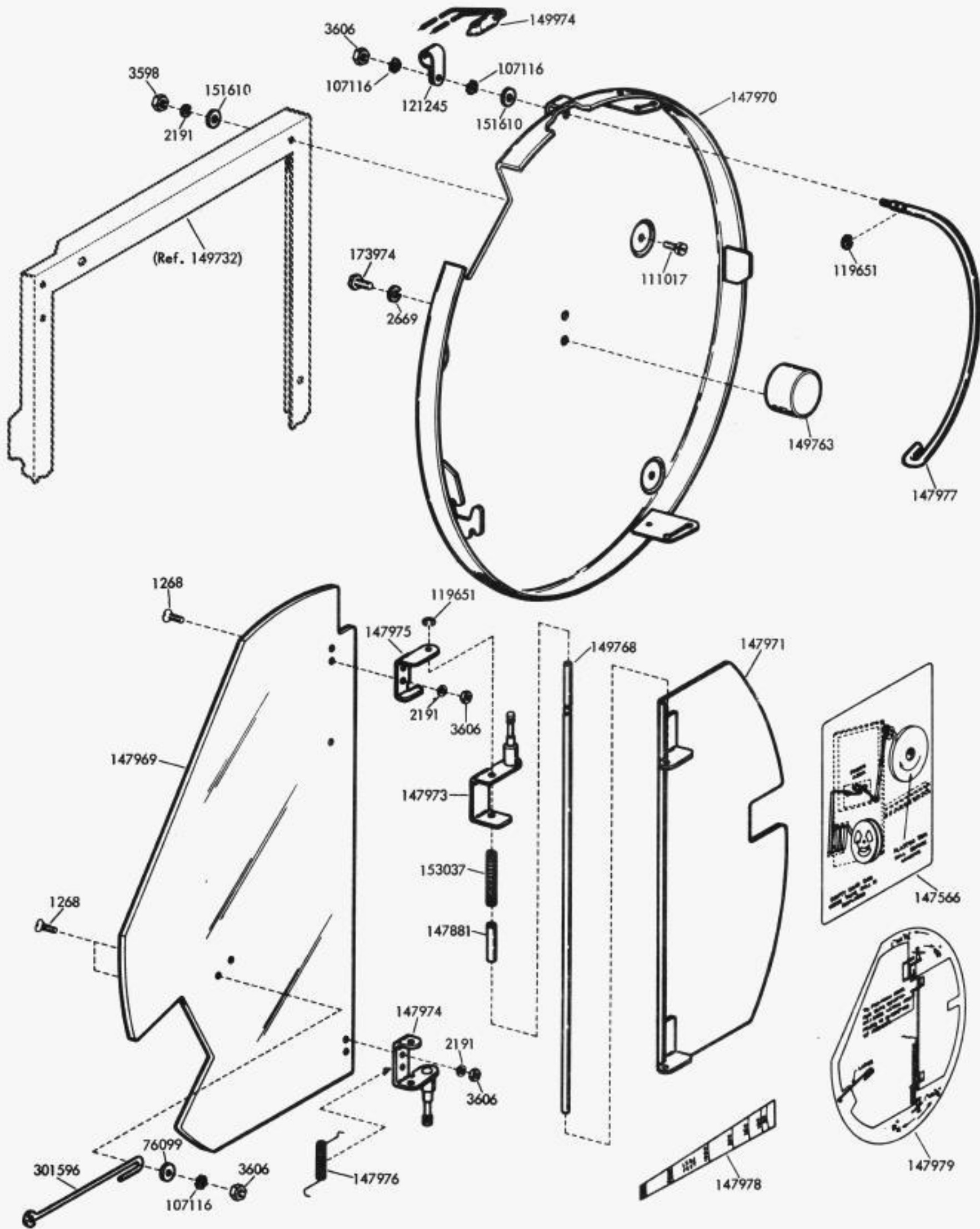


FIGURE 17. TAPE CONTAINER

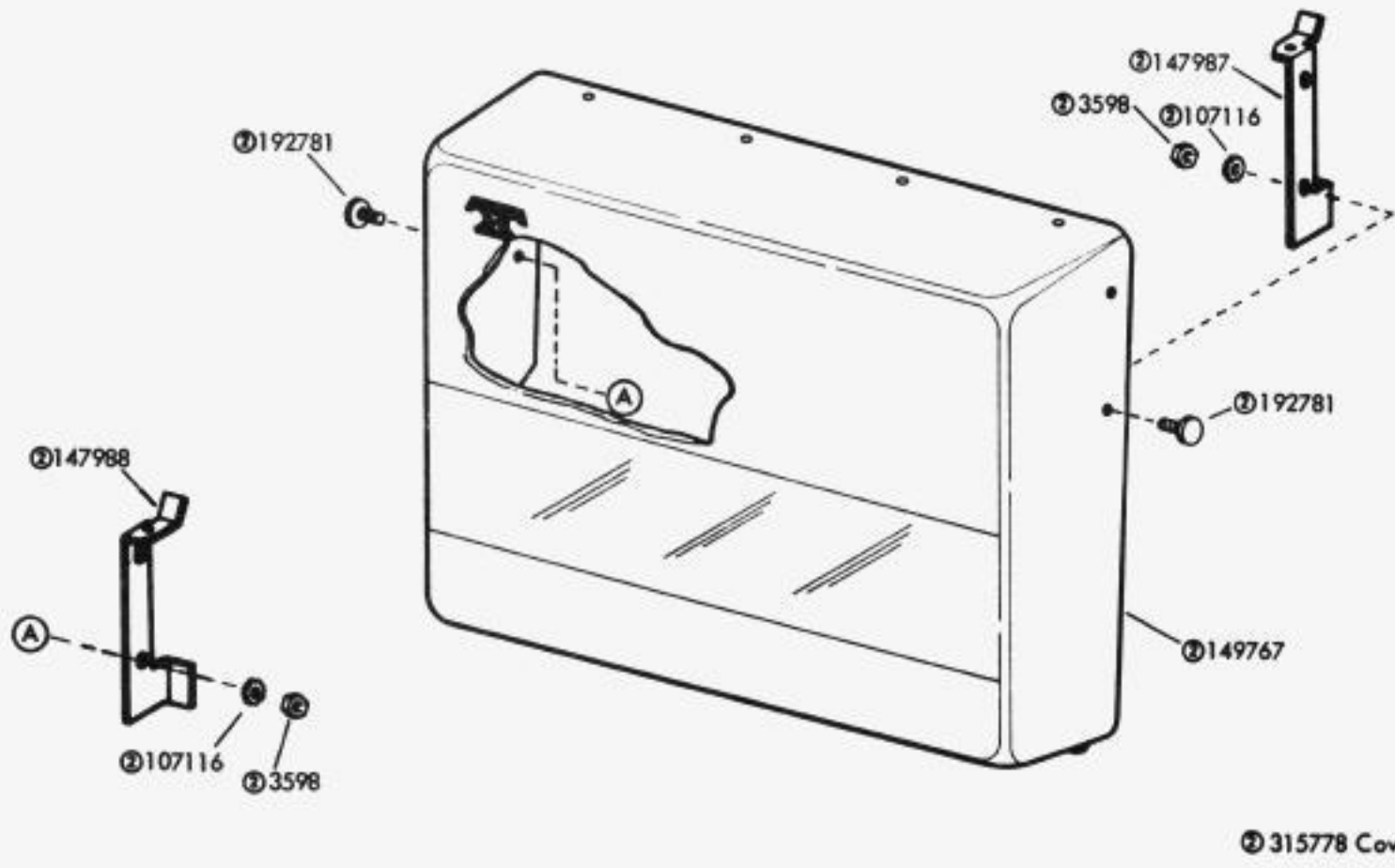
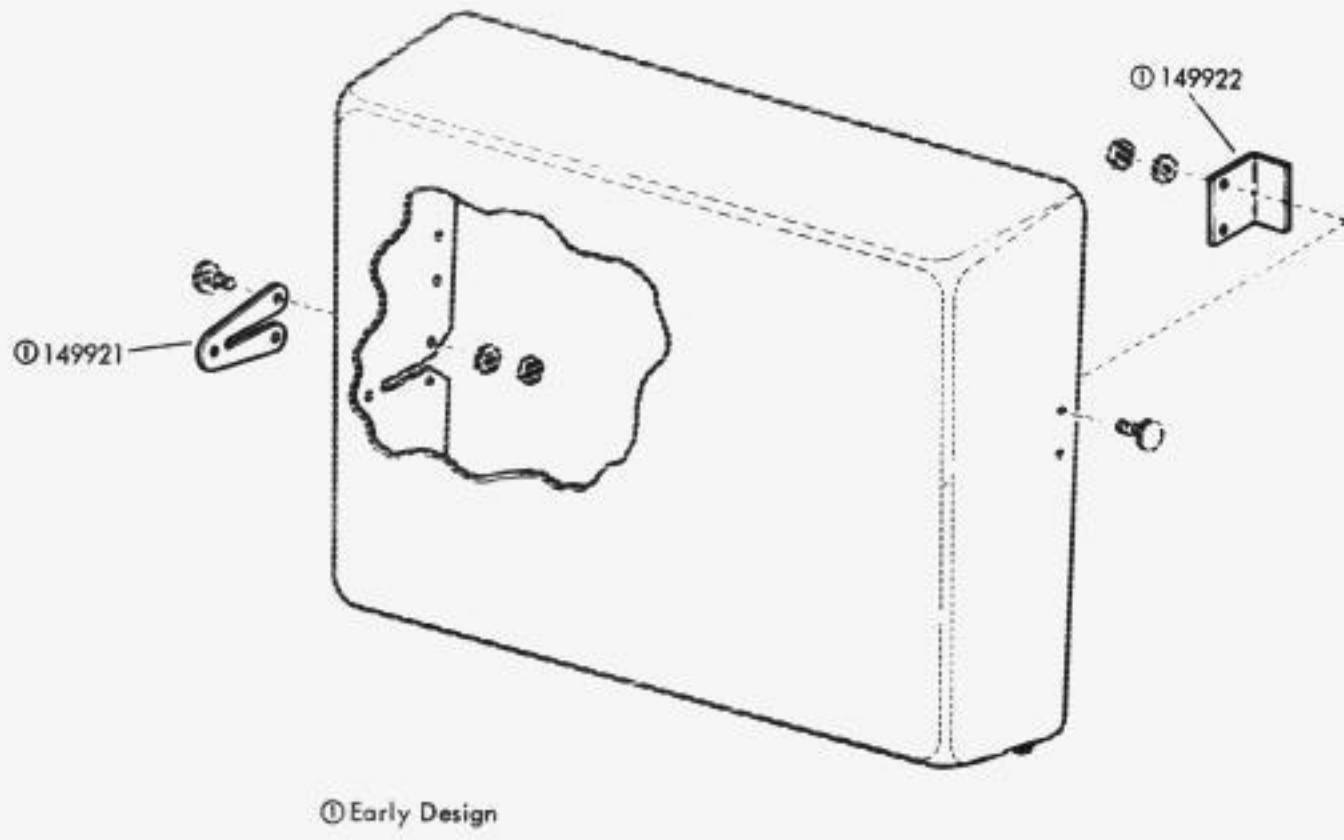


FIGURE 18. PUNCH COVER

NUMERICAL INDEX

| Part Number | Description and Page Number | Part Number | Description and Page Number | Part Number | Description and Page Number |
|-------------|---|-------------|--|-------------|-----------------------------|
| 1020 | Screw (6-40 x 1/4 Hex) 14 | 128913 | Screw, Self-Tapping (8-32) 4 | 148578 | Cable Assembly 16 |
| 1170 | Screw (6-32 x 5/16 Flat) 3 | 130506 | Fuse (5 Amp) Use 129920 13 | 148584 | Plate, Mounting 17 |
| 1264 | Screw (10-32 x 1/2 Flat) 8 | 137602 | Resistor (470 Ohm) 17 | 148586 | Relay (2100 Ohm) 17 |
| 1268 | Screw (6-40 x 5/16 Flat) 11, 18 | 143306 | Fuse (1 Amp SL-BL) 13 | 148587 | Cable Assembly 17 |
| 1291 | Screw (6-32 x 3/4 Flat) 3 | 145903 | Mount, Vibration 7, 9 | 148588 | Cable w/Terminals 17 |
| 2191 | Washer, Lock 3, 5 to 9, 11, 12, 14 to 18 | 145904 | Hinge, Right 3 | 148590 | Cable Assembly 17 |
| 2669 | Washer, Lock 8, 10, 11 | 145905 | Hinge, Left 3 | 148592** | Panel, Rear 3, 5 |
| 3438 | Washer, Flat 8 | 145908 | Plate, Name 4 | 148596 | Fuse (25 Amp SL-BL) 13 |
| 3598 | Nut (6-40 Hex) 5, 6, 8, 9, 18, 19 | 145913 | Connector, Receptacle (25 Pt) 14 | 148839 | Bracket, Resistor 14 |
| 3606 | Nut (6-40 Hex) 6, 11, 12, 14, 15, 16, 18 | 145914 | Connector, Plug (25 Pt) 4, 14, 17 | 148840 | Resistor (5 Ohm) 14 |
| 3640 | Washer, Lock 7, 8, 9, 14, 15, 17 | 145915 | Clamp, Cable 14 | 148841 | Bar, Mounting 14 |
| 3646 | Washer, Lock 6, 7, 9 | 145976 | Motor, 115V AC (105 RPM) 7 | 148842 | Plate, Diode 14 |
| 5599 | Nut (8-32 Hex) 6, 7, 9 | 145982 | Detent, Tape Reel 7 | 148843 | Rectifier 14 |
| 6344 | Screw (6-32 x 11/32 Hex) 14, 17 | 145983 | Screw (#6 Self-Tapping) 4 | 148846 | Connector, Card (16 Pt) 14 |
| 6345 | Nut (6-32 Hex) 3 | 146355 | Plunger 7 | 148850** | Power Supply 1, 13, 14 |
| 6963 | Post 10 | 146518 | Roller, Spring 6 | 148853 | Capacitor (36,000 mfd) 13 |
| 7002 | Washer, Flat 6, 7, 9 | 146531 | Plate, Face 4 | 148854 | Capacitor (3,750 mfd) 13 |
| 35551 | Screw (10-32 x 3/8 Flat) 8 | 146542 | Post Assembly 14, 16, 17 | 148855 | Capacitor (6 mfd) 13 |
| 45815 | Washer, Lock 9 | 146543 | Screw Assembly 14, 17 | 148856 | Resistor (30 Ohm) 13 |
| 70314 | Washer, Flat 6 | 146612 | Spring 7 | 148857 | Resistor (2 Ohm) 13 |
| 71073 | Washer, Flat 9 | 146633 | Bag, Chad 8 | 148858 | Capacitor (10,000 mfd) 13 |
| 76099 | Washer, Flat 9, 18 | 146637 | Clip, Spring 9 | 148859 | Diode 13 |
| 76800 | Spring 9 | 146802 | Switch, Slide (SP-ST) 14 | 148860 | Diode 13 |
| 79012 | Insulator 14 | 147553 | Bracket, Guide 6 | 148861 | Transformer 13 |
| 82474 | Terminal 7, 9, 14 | 147554 | Post, Tape Guide 6 | 149726 | Key 4 |
| 82702 | Screw (6-40 x 9/32 Flat) 5 | 147556 | Hub 7 | 149728** | Plate, Switch 4 |
| 82832 | Washer, Lock 8 | 147557 | Post, Tape Guide 6 | 149729 | Stud 4 |
| 82833 | Washer, Flat 10 | 147558 | Rail, Left 10 | 149730** | Cabinet 3 |
| 82861 | Spring 6 | 147559 | Spring 7 | 149731** | Panel, Front 6 |
| 86742 | Nut (4-40 Hex) 14 | 147564 | Bushing 6 | 149732 | Frame, Inner 7 to 11, 18 |
| 92854 | Connector, Plug (2 Pt) 5 | 147566 | Decalcomania 11, 18 | 149734 | Lever w/Hub 9 |
| 93117 | Washer, Lock 9 | 147753 | Spring, Torsion 6 | 149736 | Lever 9 |
| 98612 | Screw (4-40 Spl) 4 | 147754 | Post, Spring 7 | 149739 | Lever 9 |
| 98718 | Washer, Flat 7, 9 | 147881 | Sleeve 18 | 149740** | Door, Front 3 |
| 99082 | Screw (8-32 x 11/16 Hex) 7 | 147969 | Door, Plastic 18 | 149745 | Roller, Driver 9 |
| 103779 | Washer, Flat 10 | 147970 | Container, Universal Tape 18 | 149746 | Pulley 9 |
| 105150 | Hub, Cam 9 | 147971 | Cover, Rear Tape 18 | 149747 | Pulley 9 |
| 107116 | Washer, Lock 7, 11, 12, 14, 18, 19 | 147973 | Pivot w/Post, Sliding 18 | 149748 | Post 9 |
| 107364 | Screw (6-32 x 3/8 Fil) 4 | 147974 | Bracket w/Post, Pivot 18 | 149749 | Roller, Tape Feed 9 |
| 107398 | Terminal 7, 14 | 147975 | Bracket, Hinge 18 | 149750 | Belt "V" 9 |
| 110191 | Washer, Lock 4, 9 | 147976 | Spring, Torsion 18 | 149752 | Bracket, Motor Mounting 9 |
| 110743 | Washer, Lock 3 | 147977 | Arm, Low Tape 18 | 149753 | Casing, Fan Wheel 8 |
| 111017 | Screw (6-40 x 5/16 Fil) 6, 7, 9, 11, 12, 18 | 147978 | Decalcomania 18 | 149754 | Plate w/Bracket 8, 9 |
| 112626 | Nut (10-32 Hex) 8, 9, 10 | 147979 | Decalcomania 18 | 149755 | Motor (115V AC) 9 |
| 116783 | Holder, Fuse 12 | 147980 | Button 6 | 149757 | Rail, Right Mounting 10 |
| 117176 | Fuse (0.5 Amp SL-BL) 13 | 147986 | Pad w/Adhesive 8 | 149758 | Bracket 10 |
| 118510 | Fuse (.250 Amp) 5 | 147987 | Bracket, Right Strike 19 | 149759 | Post 10 |
| 118591 | Socket, Tube 14, 17 | 147988 | Bracket, Left Strike 19 | 149761 | Container, Tape 11 |
| 119637** | Button, Plug 3 | 148100 | Decalcomania 11 | 149762 | Door, Plastic 11 |
| 119648 | Ring, Retaining 6 | 148105 | Lid 8 | 149763 | Post 11, 18 |
| 119651 | Ring, Retaining 6, 11, 18 | 148108 | Clip, Spring 8 | 149764 | Bracket, Pivot 11 |
| 119652 | Ring, Retaining 6, 7 | 148365 | Handle 6 | 149765 | Arm, Low Tape 11 |
| 119653 | Ring, Retaining 7, 9 | 148440 | Connector, Card (36 Pt) 14 | 149767 | Cover, Plastic 19 |
| 119654 | Ring, Retaining 9 | 148444 | Clamp, Cable 14, 17 | 149768 | Pin, Hinge 18 |
| 120697 | Nut, Wing (10-32) 16 | 148458 | Connector, Circuit Card (15 Pt) 16, 17 | 149771 | Sleeve, Fan 9 |
| 121245 | Clamp Cable (5/16" ID) 7, 9, 11, 18 | 148559 | Screw (4-40 x 1/4 Fil) 14 | 149773 | Screw, Shoulder (10-32) 10 |
| 121247 | Clamp, Cable (7/16" ID) 4 | 148562 | Panel Assembly, Electrical Service 1, 12 | 149774 | Channel, Left 8 |
| 123769 | Fan, Motor 9 | 148563 | Cable Assembly 4 | 149775 | Channel, Right 8 |
| 125004 | Screw (8-32 x 1/4 Rd) 6 | 148570 | Frame Assembly 1, 15 | 149776 | Rack, Mounting 4 |
| 125011 | Washer, Flat 9 | 148572 | Cable Assembly 15 | 149778 | Screw, Shoulder (1/4-32) 10 |
| 125126 | Screw (2-56 x 9/32 Fil) 9 | 148573 | Strip, Mounting 15 | 149779 | Tube, Chad 8 |
| 125802 | Washer, Flat 3 | 148574 | Cable w/Terminals 12 | 149781 | Bail 6 |
| | | 148575 | Strip, Terminal 15 | 149782** | Panel, Control 4 |
| | | 148576 | Cover, Terminal Strip 15 | 149783** | Cover, Panel 4 |
| | | 148577 | Cable Assembly 16 | 149792 | Suppressor, Noise 12 |
| | | | | 149901 | Rack, Lower 3 |
| | | | | 149909 | Card, Identification 4 |

**Refer to page 2 for finish suffix

NUMERICAL INDEX (Continued)

| Part Number | Description and Page Number | Part Number | Description and Page Number | Part Number | Description and Page Number |
|-------------|--|-------------|---|-------------|---|
| 149910 | Bracket, Left Hinge 11 | 156536 | Screw (4-40 x 1/8 Fil) 8 | 192081 | Ring 10 |
| 149911 | Bracket, Right Hinge 11 | 156768 | Screw (8-32 x 9/32 Hex) 7, 9 | 192082 | Bushing 10 |
| 149912 | Bracket, Left 10 | 156901 | Post, Eccentric 9 | 192168 | Ring 10 |
| 149913 | Bracket, Right 10 | 157215 | Mount, Vibration 10 | 192169 | Bushing 10 |
| 149914 | Plate, Vibration Dampener 10 | 158588 | Post 15 | 192207 | Pin, Roll 9 |
| 149915 | Plate, Support 10 | 159610 | Mount, Vibration 10 | 192781 | Screw (6-40 Spl) 6, 19 |
| 149916 | Bracket, Motor Mounting 7 | 160362 | Plug, Banana 14 | 193173 | Flasher 14 |
| 149917 | Latch 6 | 160664 | Pin, Roll 7 | 193943 | Cable Assembly 5 |
| 149919 | Plate w/Post 6 | 161552 | Screw (10-32 Spl) 10 | 196930 | Grille 5 |
| 149920 | Arm, Tape Sensing 6 | 161708 | Latch, Magnetic 3, 6 | 196931 | Clip 5 |
| 149921 | Plate 6 | 161711 | Block, Guide 8 | 198019 | Lamp (6V) 4 |
| 149922 | Bracket, Strike 19 | 161716 | Block, Support 8 | 198092 | Fan 5 |
| 149923 | Bracket 19 | 162725 | Depressor, Chad 6 | 198650 | Key, Polarizing 16, 17 |
| 149959 | Post, Tape Guide 6 | 162890 | Cable 9 | 198819 | Strip, Mounting 14, 15 |
| 149960 | Cable w/Terminals 9 | 165008 | Turret 16, 17 | 198821 | Strip, Top Mounting 14, 15 |
| 149962 | Post, Tape Guide 6 | 165027 | Network, Spark Suppression 16 | 199530 | Screw, Shoulder (4-40) 4, 16, 17 |
| 149963 | Pin 6 | 170863 | Mount, Vibration 10 | 199532 | Lock Assembly, Sliding 4, 17 |
| 149964 | Bracket 7 | 171319 | Resistor (50 Ohm) 13 | 199534 | Clamp, Cable 4, 17 |
| 149965 | Cable w/Terminals 7 | 171501 | Relay 14, 16, 17 | 199540 | Module, Receiver 1, 13, 14 |
| 149967 | Lever w/Shaft 7 | 171502 | Relay 17 | 199541 | Post, Sliding Lock 14, 16, 17 |
| 149971 | Bail 7 | 171507 | Relay 17 | 199545 | Strip, Terminal (2 Pt) 14 |
| 149974 | Switch, Mercury 7, 11, 18 | 171517 | Cover, Dust 17 | 199549 | Lamp (48V) 4 |
| 150089 | Screw (4-40 x 1/2 Fil) 16 | 171518 | Cover, Dust 17 | 199568 | Bracket, Relay Mounting 14 |
| 150687 | Stud 9 | 171526 | Resistor (1500 Ohm) 13 | 199570 | Modification Kit 16 |
| 150966 | Insulator (1-4) 7 | 171614 | Diode 13 | 199571 | Post 16 |
| 151073 | Screw (4-40 x 5/32 Fil) 9, 14 to 17 | 171615 | Diode 13 | 199572 | Plate, Mounting 16 |
| 151335 | Stud 7, 12 | 171642 | Fuse (1.6 Amp) 13 | 199573 | Motor w/Capacitor, Synchronous (117V AC) 16 |
| 151346 | Screw (6-40 x 3/8 Fil) 6, 16, 17 | 171644 | Fuse (1.5 Amp) 13 | 199574 | Hub 16 |
| 151411 | Block, Terminal 12 | 171664 | Bracket 13 | 199575 | Holder, Brush 16 |
| 151412 | Insulator (1-9) 12 | 171831 | Capacitor (10 mfd) 17 | 199576 | Brush, Contact 16 |
| 151415 | Block, Terminal 7 | 172715 | Screw, Captive (10-24) 3 | 199577 | Cover 16 |
| 151416 | Nut (6-40 Hex) 7, 12, 16 | 172763 | Nut, Grip 3 | 199578 | Bushing, Snap 16 |
| 151418 | Fuse (10 Amp) 12 | 173116 | Pin 6 | 199580 | Disk, Coding 16 |
| 151442 | Screw (6-40 x 1/2 Hex) 11 | 173578 | Connector, Receptacle (50 Pt) 14, 16, 17 | 199586 | Terminal, Taper Pin 17 |
| 151610 | Washer, Flat 11, 18 | 173579 | Connector, Plug (50 Pt) 14, 16, 17 | 199587 | Bracket, Top Relay 17 |
| 151618 | Screw (6-40 x 7/16 Fil) 16 | 173715 | Terminal, Plug Type 4, 14, 17 | 199588 | Bracket, Bottom Relay 17 |
| 151626 | Terminal 4, 7, 12, 14, 17 | 173716 | Terminal, Receptacle Type 14, 16, 17 | 199589 | Receptacle, Relay 17 |
| 151630 | Screw (6-40 x 1/4 Hex) 7, 9, 12 | 173974 | Screw (10-32 x 5/16 Hex) 10, 11, 18 | 199784 | Receiving Station Identifier Assembly 1, 16 |
| 151631 | Screw (6-40 x 5/16 Hex) 6, 7, 12, 14, 15 | 174001 | Connector, Receptacle (3 Pt) 12 | 199788 | Modification Kit 1, 17 |
| 151632 | Screw (6-40 x 3/8 Hex) 7, 9 | 174678 | Nut, Speed 4 | 199789 | Plate, Mounting 14 |
| 151637 | Screw (4-40 x 1/4 Fil) 4 | 174797A | Screw (6-40 x 3/8 Fil) 14 | 199790 | Plate, Mounting 16 |
| 151642 | Screw (6-40 x 3/4 Fil) 9 | 176163 | Jumper (18" Black) 7 | 199791 | Plate, Mounting 14 |
| 151685 | Screw (4-40 x 5/16 Fil) 14 | 177520 | Card, Circuit (EC520) 16 | 199793 | Plug Assembly 14 |
| 151686 | Screw (4-40 x 3/8 Fil) 7, 9, 14, 16 | 177579 | Card, Circuit (EC579) 17 | 199794 | Cable Assembly 14 |
| 151687 | Screw (4-40 x 7/16 Fil) 3 | 177611 | Rectifier 14, 17 | 199795 | Cable Assembly 14 |
| 151688 | Screw (4-40 x 5/8 Fil) 14 | 177664 | Diode 13 | 199798 | Lock Assembly, Sliding 16 |
| 151692 | Screw (6-40 x 3/16 Fil) 16 | 178844 | Varistor 17 | 199799 | Clamp, Cable 16 |
| 151722 | Screw (6-40 x 3/16 Hex) 11 | 179495 | Screw (10-24 x 1/2 Hex) 8 | 199800 | Frame 15 |
| 151723 | Screw (10-32 x 3/8 Hex) 10 | 181014 | Grommet, Rubber 16 | 199804 | Bracket, Mounting 12 |
| 151827 | Strap, Terminal 12 | 181301 | Sleeve, Insulating (15/64 ID x 1" Lg) 9 | 199901 | Reel, Tape 7 |
| 151939 | Grommet, Rubber 12, 17 | 181392 | Terminal 9 | 300664 | Spring, Torsion 9 |
| 152441 | Washer, Flat 9 | 181392 | Terminal 9 | 301596 | Latch, Door 18 |
| 153037 | Spring 18 | 181666 | Resistor (680 Ohm) 17 | 302932 | Chute, Chad 8 |
| 153103 | Screw (4-40 Self-Tapping) 4 | 182510 | Cord, Power 12, 14 | 303605 | Card, Circuit (EC605) 14 |
| 153631 | Network, Spark Suppression 14 | 182524 | Button Assembly 4 | 303675 | Card, Circuit (EC675) 14 |
| 155750 | Sleeve, Insulating (3/32 ID x 1/2" Lg) 17 | 182530 | Strip Assembly, Lamp 4 | 303678 | Card, Circuit (EC678) 14 |
| 155752 | Sleeve, Insulating (5/64 ID x 1/2" Lg) 4 | 182539 | Connector, Receptacle Type (15 Pt) 14, 16 | 307841 | Plate, Identification 4 |
| 155754 | Sleeve, Insulating (1/16 ID x 1/2" Lg) 16 | 182540 | Connector, Plug Type (15 Pt) 15, 16 | 308493 | Switch, Pushbutton 4 |
| 155755 | Sleeve, Insulating (11/64 ID x 5/8" Lg) 14 | 182643 | Terminal, Plug Type 14, 15, 16 | 308495 | Lens, White 4 |
| 156230 | Stud, Lifter Pivot 11 | 182644 | Terminal, Receptacle Type 16 | 308547 | Relay 17 |
| | | 183111 | Label 16 | 308548 | Relay 14 |
| | | | | 309899 | Network, Spark Suppression 7 |
| | | | | 311158 | Chute, Chad 8 |
| | | | | 315778 | Cover Assembly 19 |