

symbol of leadership



in printing telegraphy

BULLETIN 1079B

PARTS

SIGNAL DISTORTION TEST SET

(DXD)

**TELETYPE**®

**CORPORATION**

SUBSIDIARY OF *Western Electric Company* INC.

SKOKIE, ILLINOIS, U.S.A.

symbol of leadership



in printing telegraphy

BULLETIN 1079B

PARTS

SIGNAL DISTORTION TEST SET

(DXD)

**TELETYPE**®

C O R P O R A T I O N

SUBSIDIARY OF *Western Electric Company* INC.

SKOKIE, ILLINOIS, U.S.A.

## LIST OF EFFECTIVE PAGES

JULY, 1962

(Supersedes September, 1959 Issue)

Page Number	Change In Effect
A to D	Change 1
1 to 18	Change 1

The above list indicates the effective pages as of the date of issue. Upon receipt of Change Pages, insert them numerically and discard any superseded pages.

VARIATIONS IN SIGNAL DISTORTION TEST SETS CATALOGED IN THIS BULLETIN					
Teletype Code	DXD1	DXD3	DXD5	DXD200** (DXD200AA formerly DXD4)	DXD800**
Bell System Code				1A**	1B**
Code	5 Unit	6 Unit	5 Unit	5 Unit	11 Unit
Transmits repeated R, Y, or test message	Yes	Yes	Yes	Yes	Yes
Transmits repeated T, O, M, V, LETTERS, BLANK or code length marking impulse	No	No	Yes	Yes	Yes
Brake (for signal measuring scale ring)	Included	Not Included	Not Included	Not Included	Not Included
Hood (for improved visibility of code signals)	Not Included	Not Included	Included	Included	Included
Switch (for stop pulse)	Not Included	Not Included	Included	Included	Included
Line and Power Cords	Not Included	Power cord included	Included	Included	Included
Associated Motor Units (See Note 1)	MU4, MU26	MU4, MU26	MU4, MU29	MU4, MU26	MU4, MU26
Wiring Diagram	2151WD	1653WD	2196WD	1653WD	4769WD

\*\*The double asterisk (\*\*) designates a two-letter suffix which indicates the paint finish. See color code chart below.

**NOTE 1**

For best results a synchronous motor unit should be used. If regulated AC power is not available, governed motors may be used but the signal viewed on the stroboscope will be somewhat unstable.

COLOR CODE CHART (For parts and assemblies requiring a paint finish)		
Teletype Code	Bell System Code	Paint Finish
AA	37	Black Wrinkle
AB	40	Gray Green Wrinkle
AC	39	Light Brown Wrinkle
AD	38	Dark Brown Wrinkle
suffix to be applied following the part number		

**BELL SYSTEM ONLY**

When ordering parts from this bulletin, prefix each number with the letters TP.

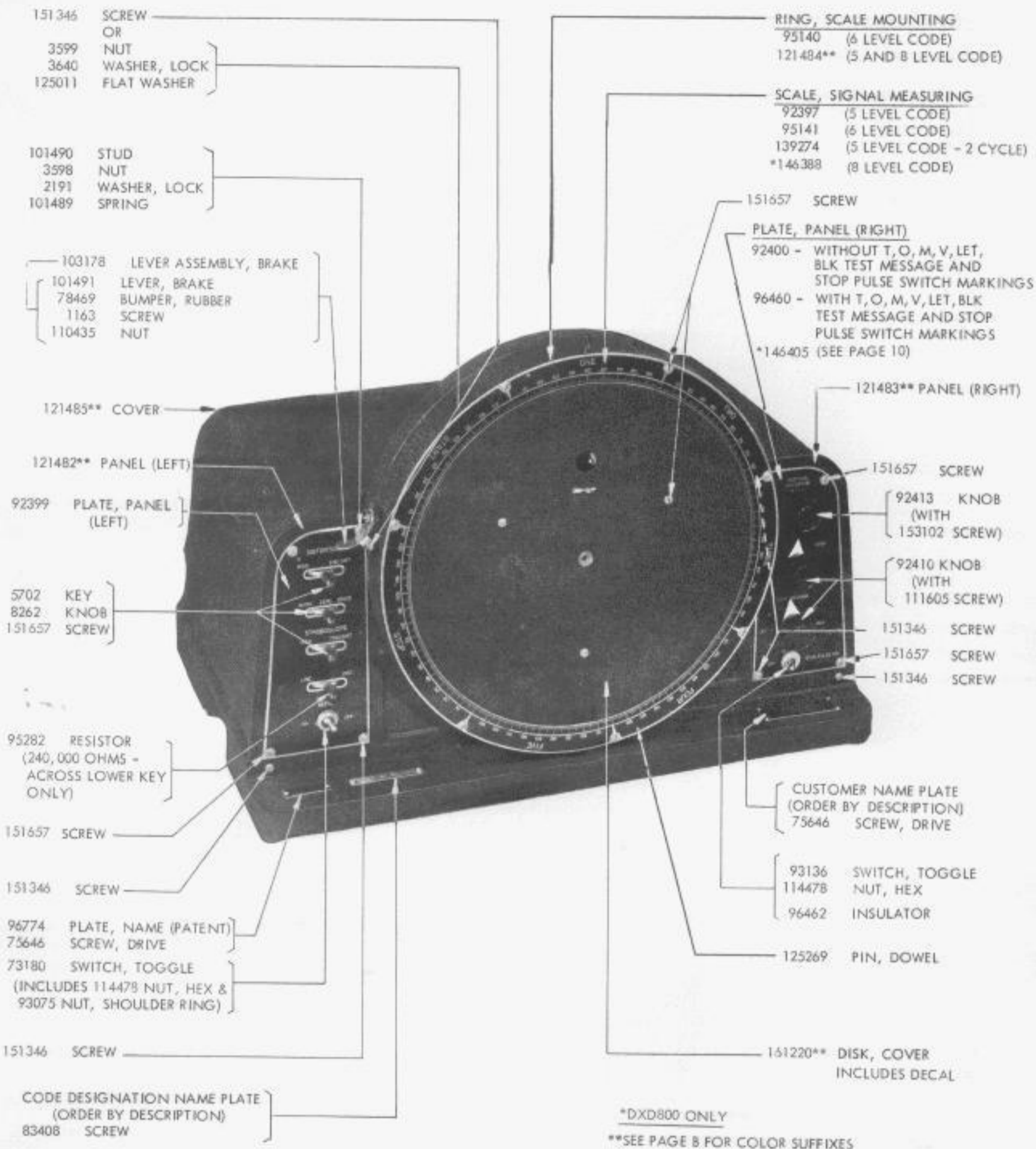
TELETYPE TO BELL SYSTEM DESIGNATION CONVERSION LIST  
FOR UNITS AND PARTS SHOWN IN THIS BULLETIN

DXD200**	1A** Teletypewriter Test Set
DXD800**	1B** Teletypewriter Test Set
MU4	15D Motor Unit
3043	18AM Resistor
5702	2C (Spec. D123355) Cam Key - Less Knob
8262	W132717 Knob
73497	347A Plug (Red Shell)
77310	Name Plate "Bell System Service"
81825	152C Capacitor
96473	1A Set of Gears (368 O.P.M. 60 Cycle Synchronous)
96474	1B Set of Gears (460 O.P.M. 60 Cycle Synchronous)
96572	1C Set of Gears (368 O.P.M. A.C. or D.C. Governed)
96573	1D Set of Gears (460 O.P.M. A.C. or D.C. Governed)
103236	347B Plug (Black Shell)
110897	1E Set of Gears (600 O.P.M. 60 Cycle Synchronous)
120465	Code Plate "Teletypewriter Test Set"

\*\*SEE PAGE B FOR COLOR SUFFIXES

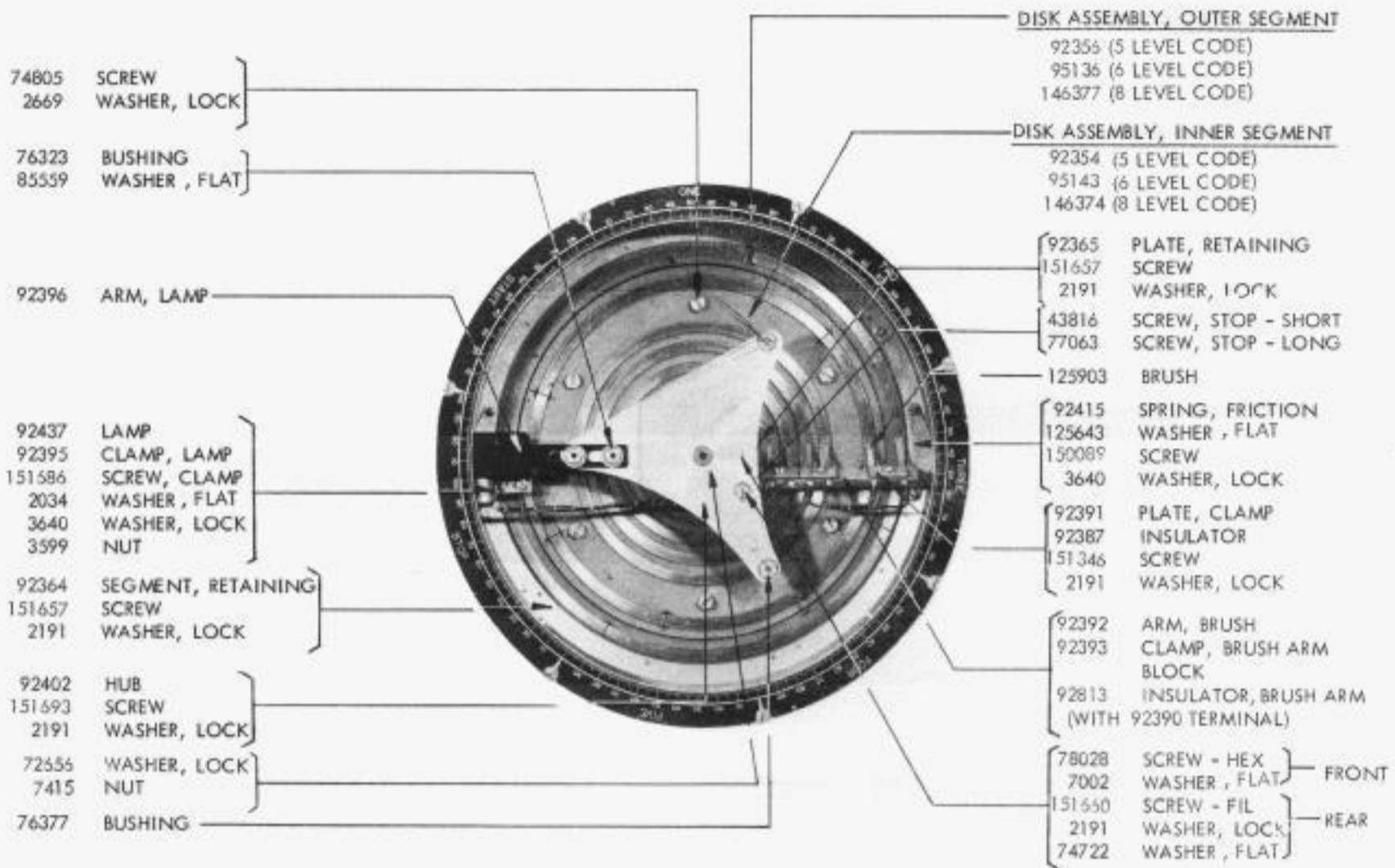
## ALPHABETICAL INDEX

DESCRIPTION	PAGE NUMBER
Base Plate	5
Brake Lever	1
Brake Pulley	4
Brushes	2
Cables	5,10,11
Code Cylinders	4
Code Disks	7,8
Capacitors	5,6
Contacts	3,10,11
Cover	1
Gear Sets	12,13,14
Gears	3,4,12,13,14
Hood	2
Lamp	2
Line Cords	5
Modification Kit to Equip Unit with Interchangeable Segment Code Disks	7
Modification Kit to Equip Unit with Alternate R-Y Relay	11
Motor Units	12,13,14
Power Cord	5
Rectifier Assembly	9
Resistors	5,6
Resistor Units	6
Segment Disk Assemblies	2
Signal Measuring Scale	1
Switches	1,10,11
Terminal Blocks	4,5,12,13,14

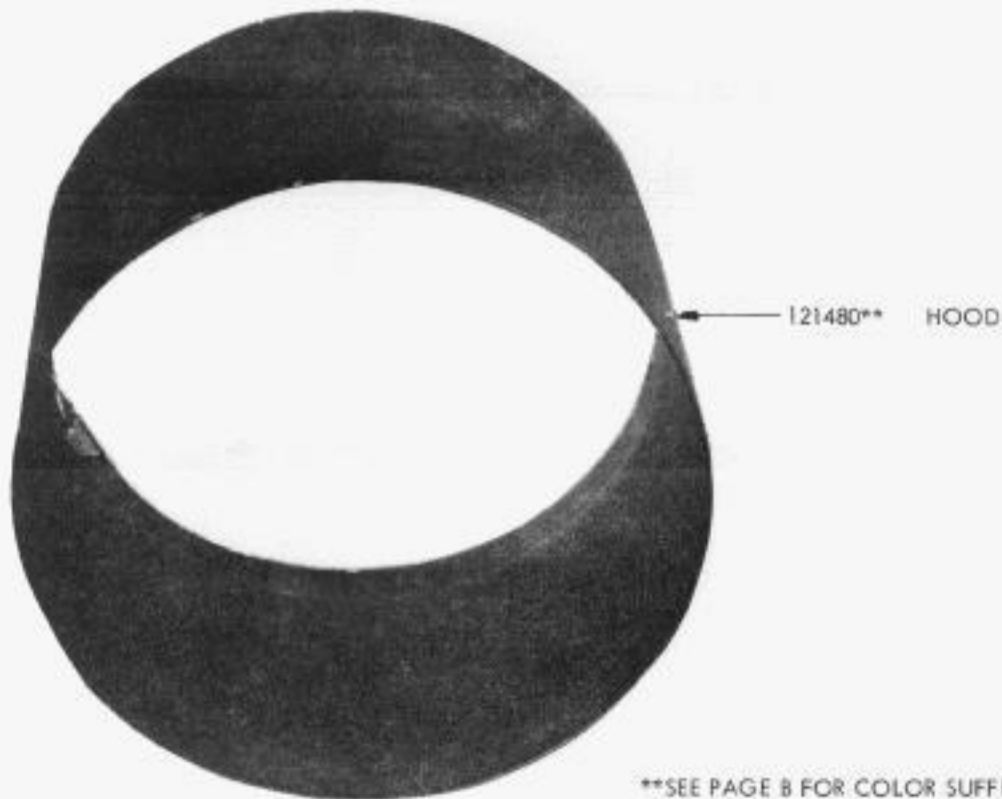


FRONT VIEW

\*DXD800 ONLY  
 \*\*SEE PAGE B FOR COLOR SUFFIXES



PARTIAL FRONT VIEW WITH COVER DISK REMOVED



FRONT VIEW OF HOOD

\*\*SEE PAGE B FOR COLOR SUFFIXES



- 85935 POST SPRING
- 146406 SPRING
- 92370 LEVER, CONTACT
- 85559 WASHER, FLAT
- 92376 SPACER (.221")
- 71156 SHIM (.010")
- \*146400 SPACER (.171")
- \*146401 SPACER (.130")

- 79516 SHIELD, CONTACT

- 93667 SPRING, CONTACT (WITH SPACER)
- 92427 SPRING, CONTACT (WITH BUFFER)
- 79509 SPRING, CONTACT - SHORT
- 79517 STIFFENER
- 3618 INSULATOR (.062")
- 3647 INSULATOR (.094")
- \*146373 INSULATOR
- 79513 PLATE, CLAMP
- 79519 BUSHING, INSULATING
- 79523 SCREW
- 2422 WASHER, LOCK

- 92417 BEARING
- 82702 SCREW
- 92416 SHAFT

CODE DISKS  
(SEE PAGES 7 & 8)

- 84373 BUSHING
- 72565 WASHER, LOCK
- 7415 NUT
- 84360 SHAFT
- \*146403 SHAFT
- \*142379 PIN, ROLL
- 84379 HUB
- \*146396 HUB
- 80757 SCREW
- 2659 WASHER, LOCK
- 84335 STUD, CODE DISK
- \*146399 STUD, CODE DISK
- 84394 SPACER
- \*146398 SPACER
- 124878 WASHER, LOCK
- 70497 NUT
- 84363 COVER
- 151346 SCREW
- \*151657 SCREW
- 2191 WASHER, LOCK

- 84369 SLEEVE, FRICTION
- 92398 GEAR, WORM - 40T
- 7002 WASHER, FLAT
- 2191 WASHER, LOCK
- 156740 SCREW
- 76084 WASHER, FRICTION
- 84368 ARM, CLUTCH
- 76085 DISK, FRICTION
- 76086 SPRING, FRICTION
- 76087 NUT
- 3339 NUT
- 3438 WASHER, FLAT
- 2669 WASHER, LOCK
- 112626 NUT

- 92368 GEAR - 60T
- 85559 WASHER, FLAT
- 2449 WASHER, LOCK
- 125218 NUT

- 92425 LEVER
- 3870 SPRING
- 84814 SCREW

- 74717 SCREW
- 3640 WASHER, LOCK
- 41732 PLATE, CLAMP
- 82444 BUSHING
- 41733 INSULATOR (.062")
- 82547 INSULATOR (.094")
- 81726 TERMINAL
- 84892 STIFFENER
- 77038 SPRING, CONTACT - LONG
- 82547 INSULATOR (.094")
- 81724 SPRING, CONTACT - SHORT
- 41733 INSULATOR (.062")
- 92422 BRACKET, CONTACT
- 151657 SCREW
- 2191 WASHER, LOCK

- 92423 LATCH, CONTACT
- 3870 SPRING
- 86746 SCREW
- 80294 POST, SPRING

- 92421 CAM, CONTACT
- 1109 SCREW, SET

- 92406 SHAFT (WITH GEAR)

- 92350 BEARING, REAR
- 90122 BEARING, BALL
- 151724 SCREW
- 2669 WASHER, LOCK
- 92351 EXTENSION, BEARING
- 74805 SCREW
- 2669 WASHER, LOCK

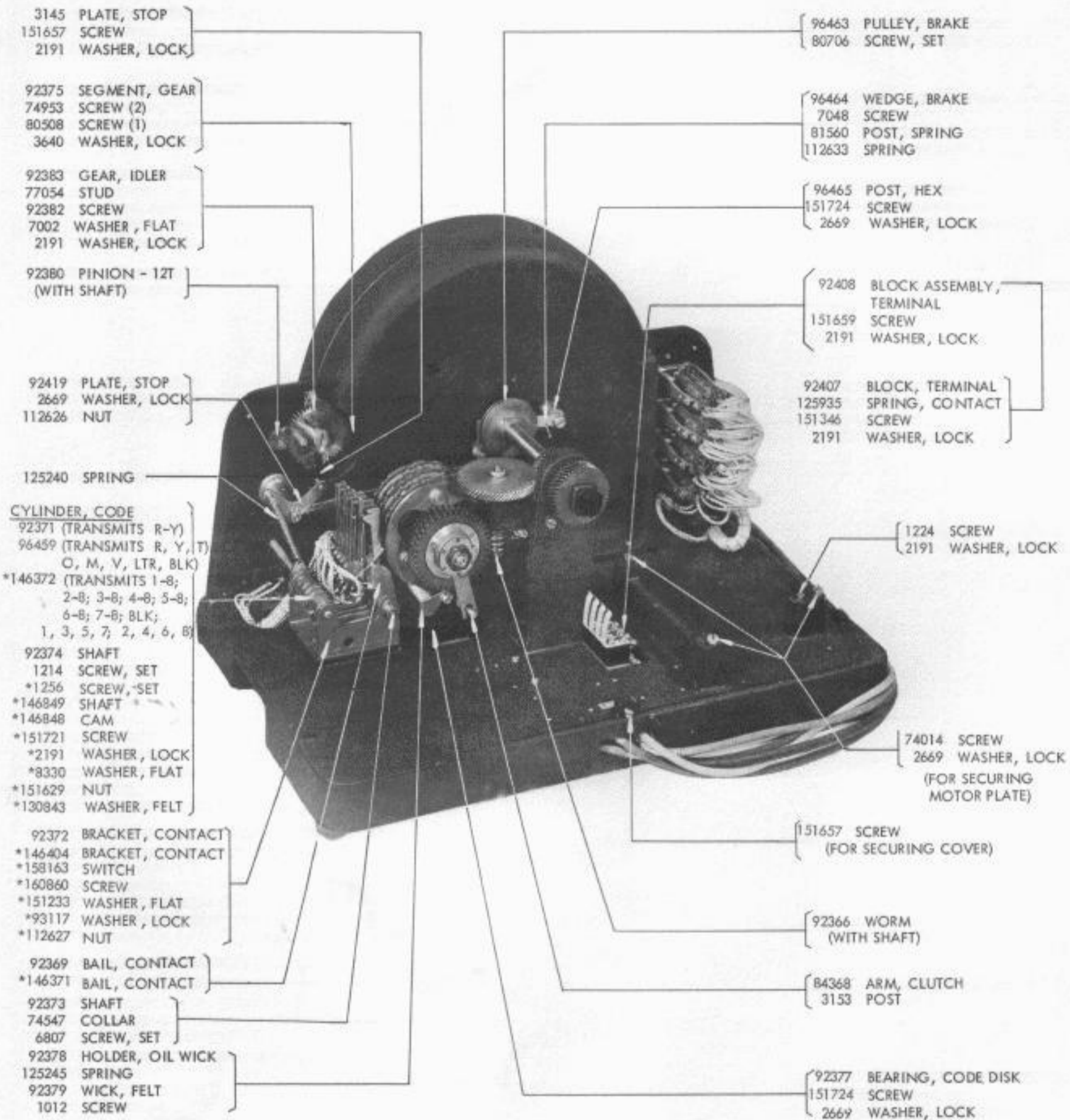
MOTORS AND GEARS  
(SEE PAGES 12,13,14)

- 70314 WASHER, FLAT
- 2191 WASHER, LOCK
- 3598 NUT

- 150040 SCREW
- 70314 WASHER, FLAT
- 74493 BUSHING

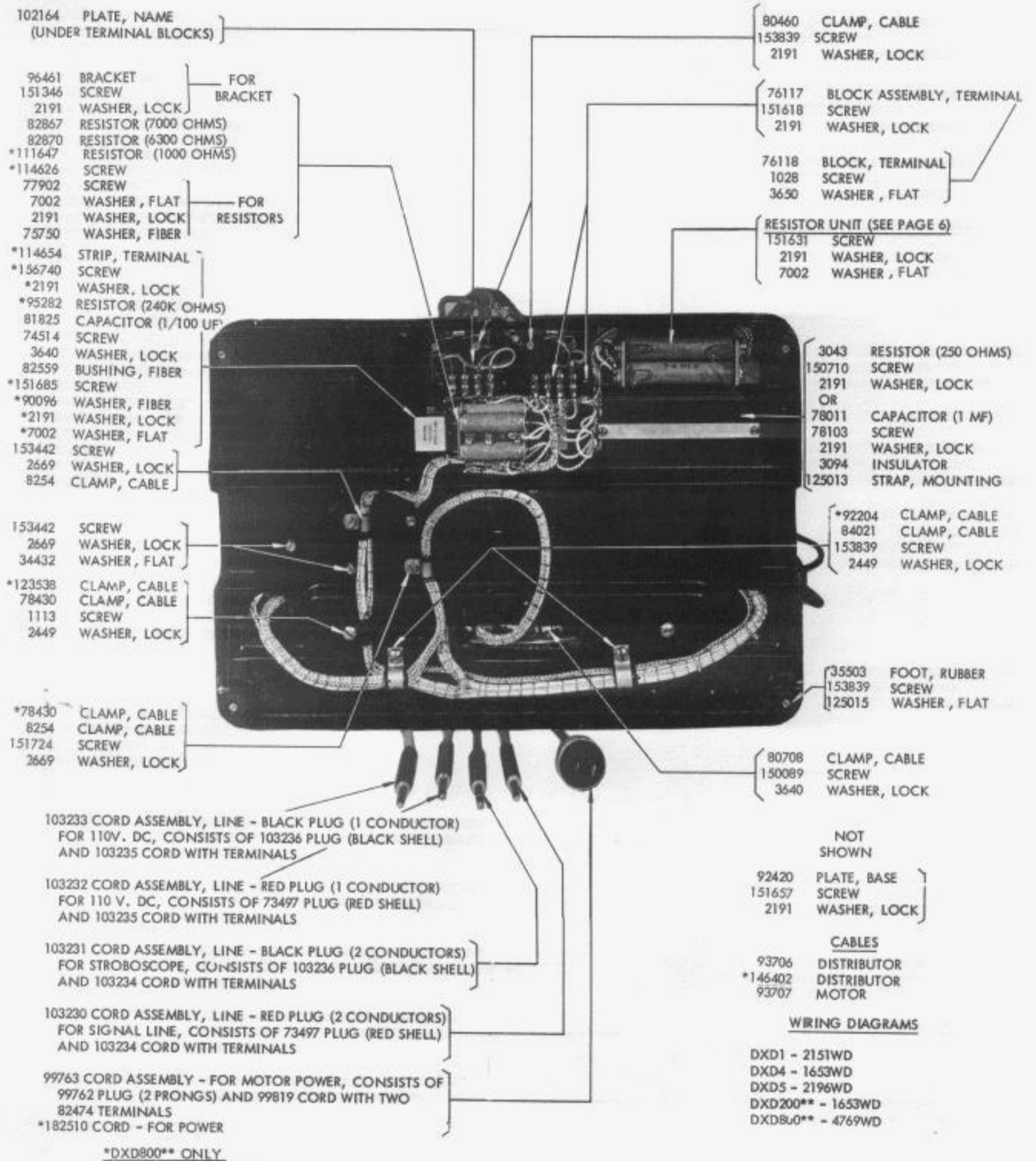
\*DXD800\*\* ONLY

TOP VIEW - COVER REMOVED

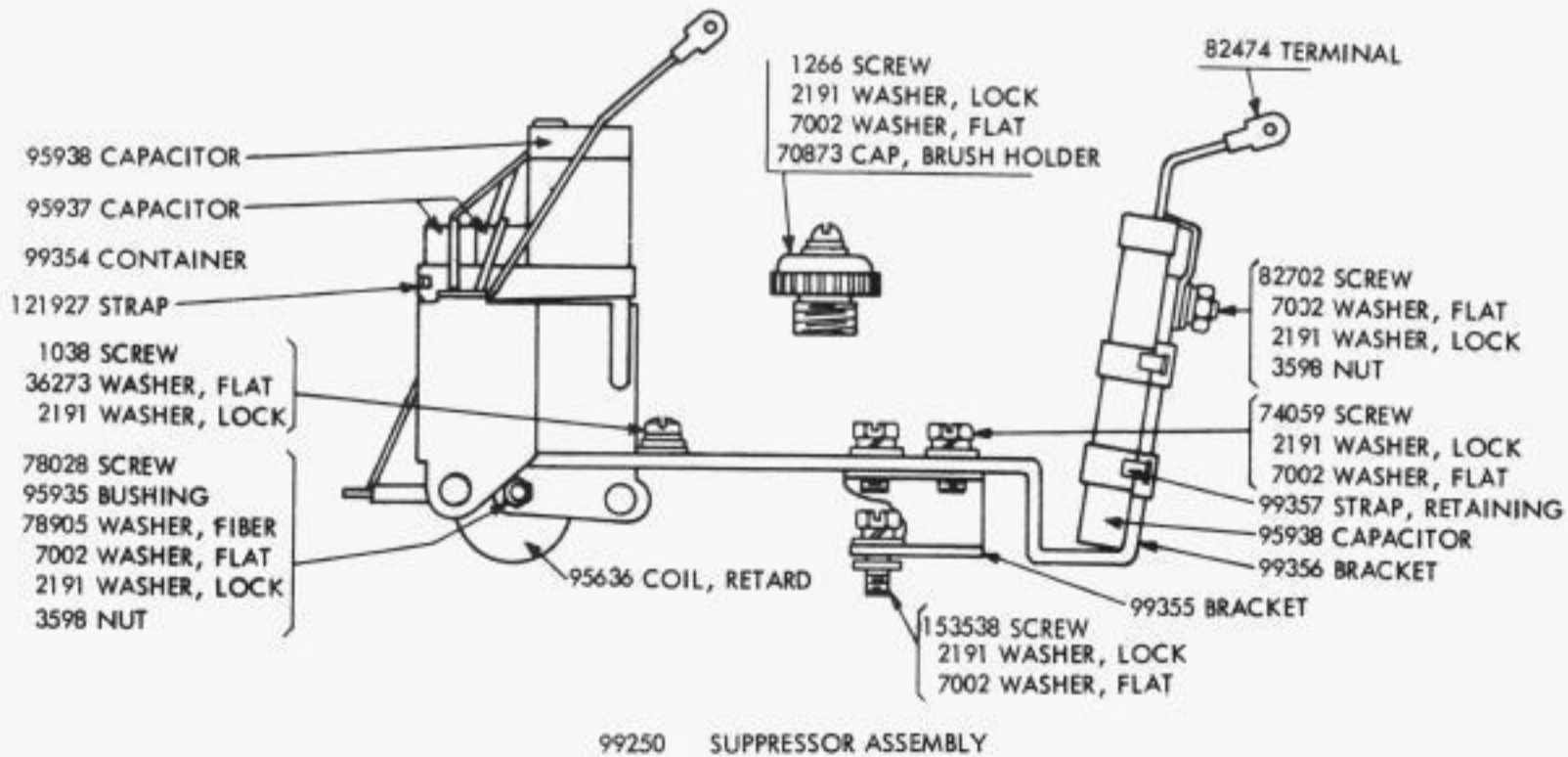
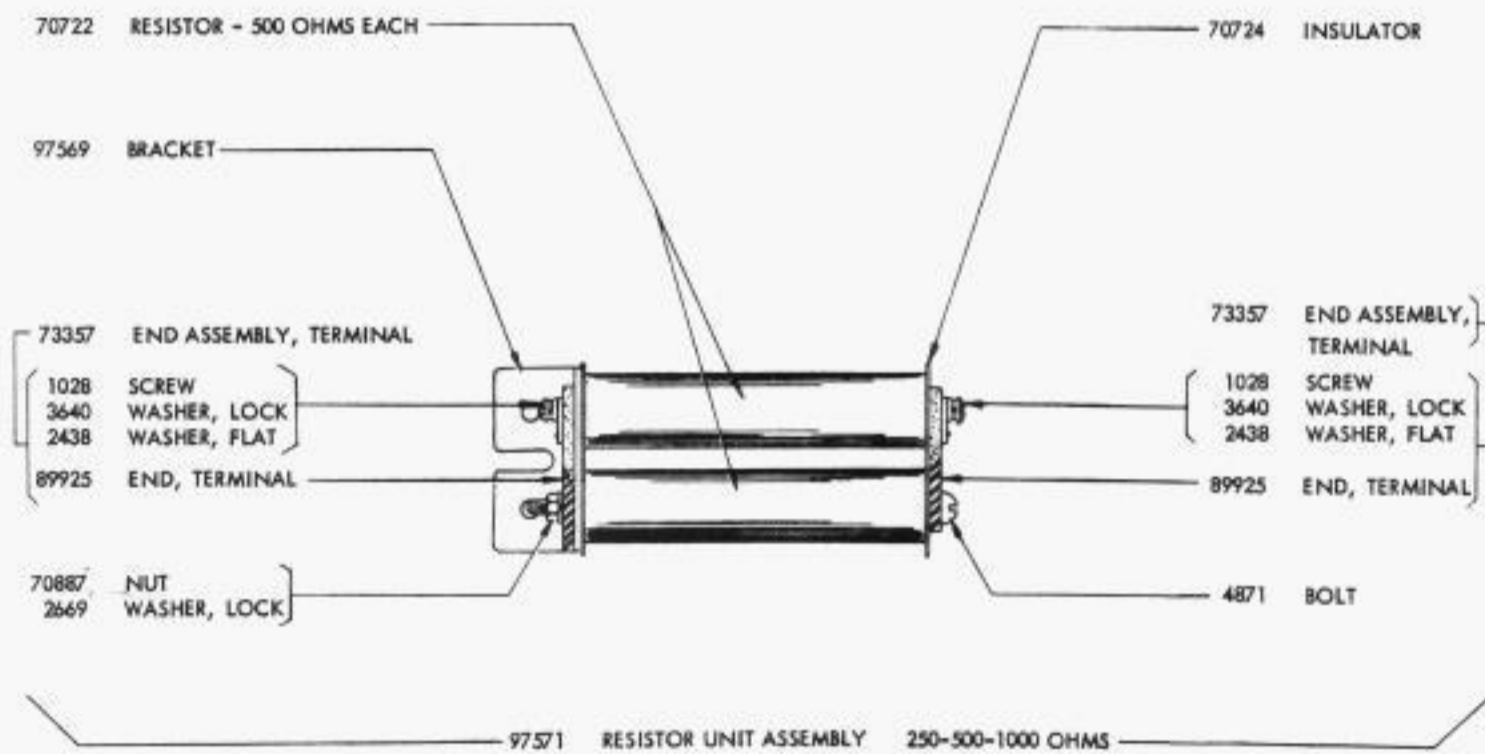
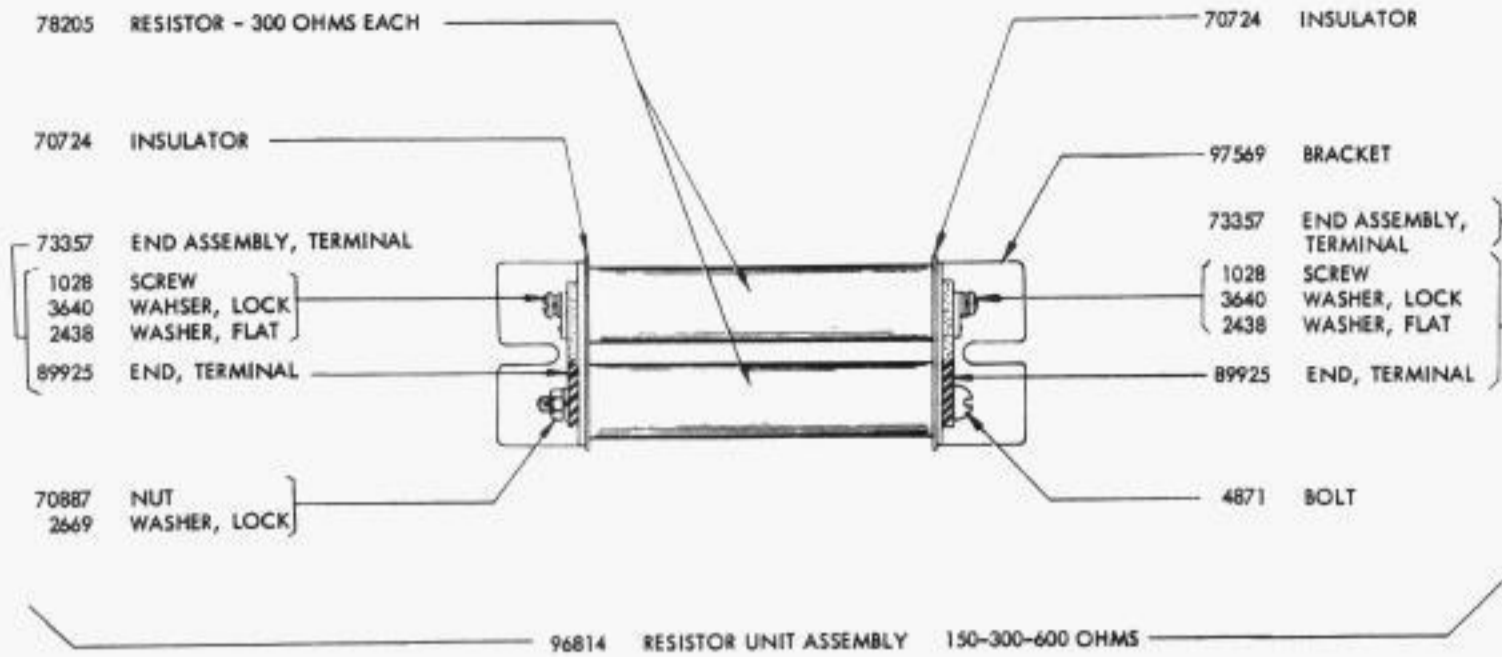


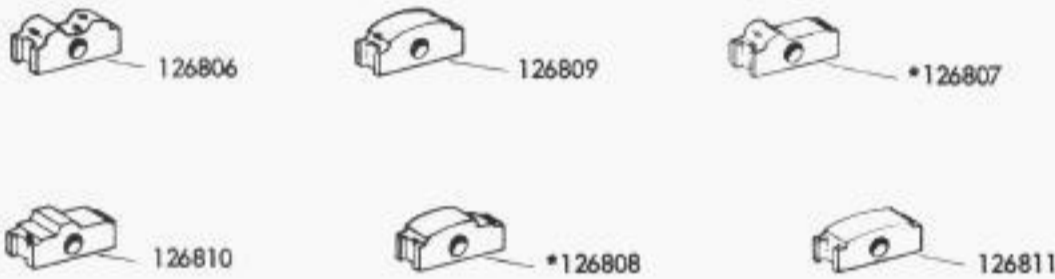
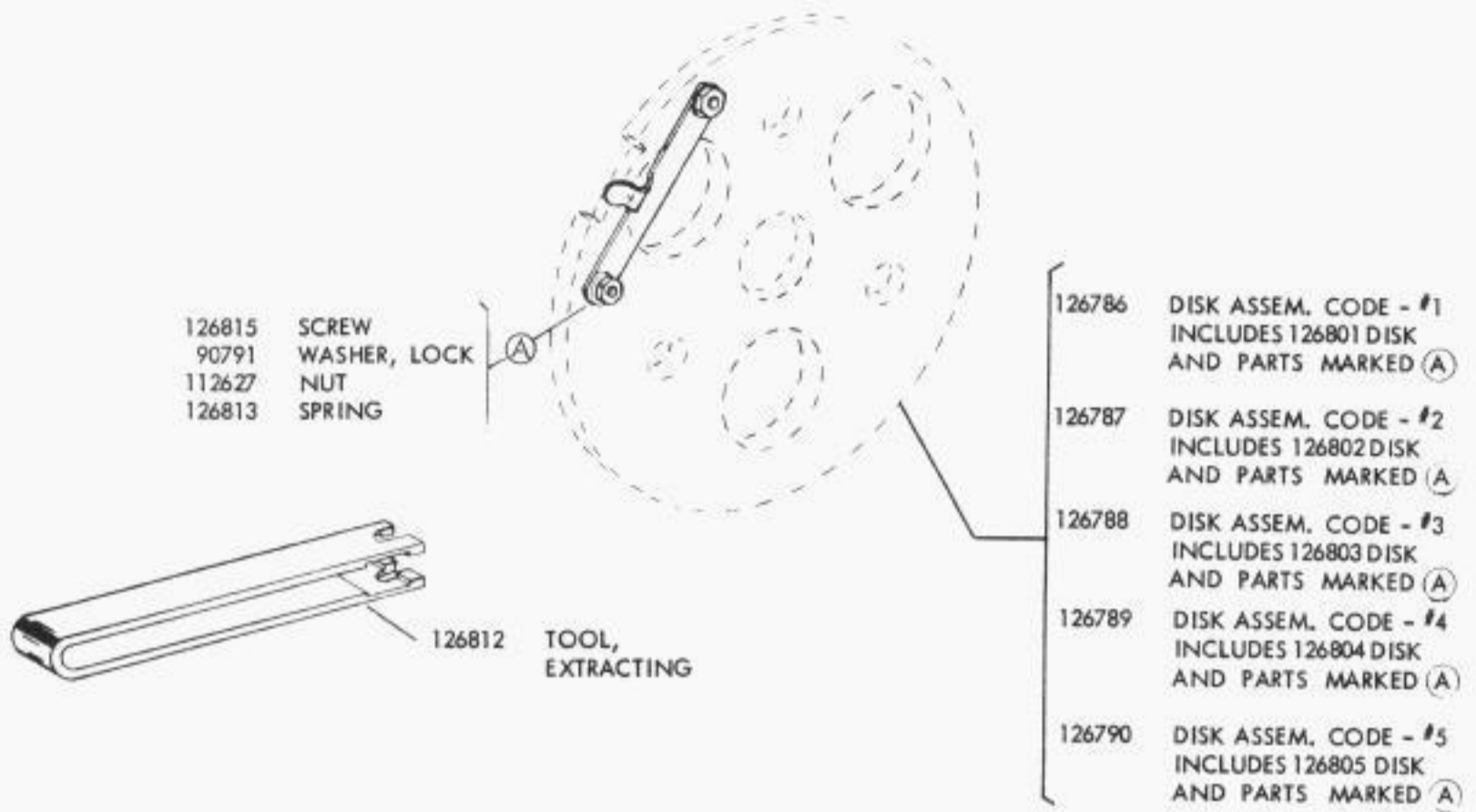
\*DXD800\*\* ONLY

REAR VIEW - COVER REMOVED



BOTTOM VIEW - BASE PLATE REMOVED



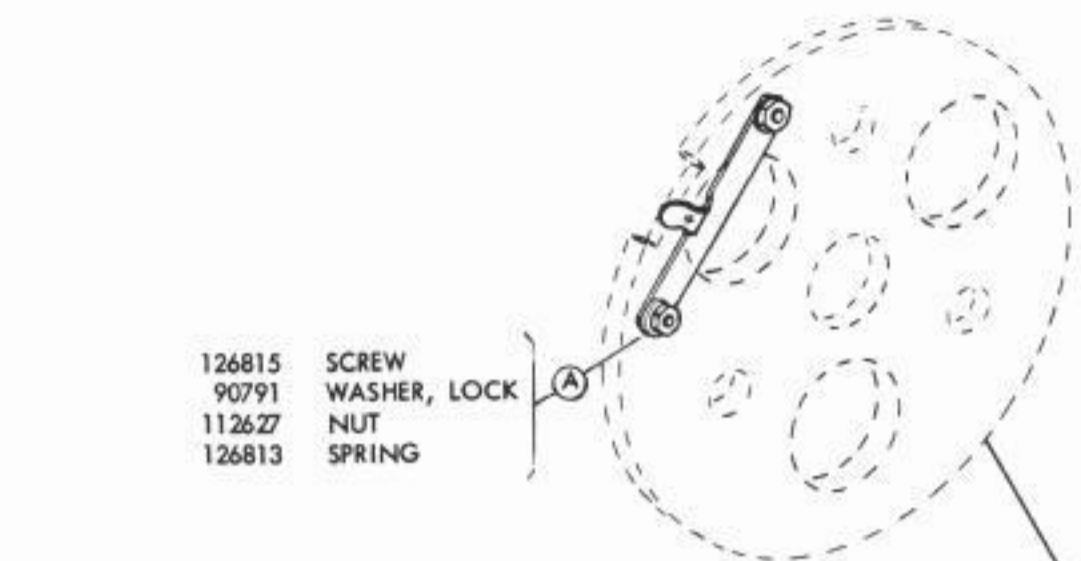


INTERCHANGEABLE SEGMENTS

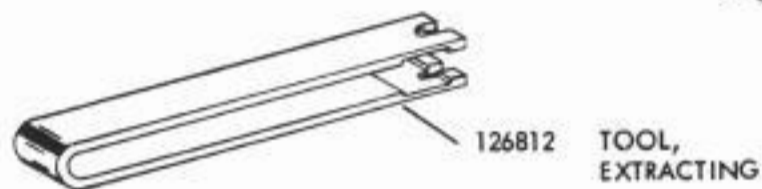
\*REVERSIBLE IN POSITION  
SPECIFICATION 57155

CODE DISK	#1	#2	#3	#4	#5	#0
NEW STYLE ASSEMBLY NUMBER	126786	126787	126788	126789	126790	87406 (BLANK)
*OLD STYLE PART NUMBER	87145 87393 87409 87410 87411 87412 92433 104093 112585	87146 87394 87413 87414 87415 101273 104767 105172 107490	87147 87151 87395 87416 87417 87418 96475 96476 96477	87148 87152 87396 87419 87420 87421 96478 103798 112586	87149 87153 87397 87422 87423 87424 96479 103799 105173	87406
*WHEN AN OLD STYLE DISK IS ORDERED BY THE PART NUMBER STAMPED ON THE DISK, A NEW STYLE DISK WITH THE PROPER SEGMENT INSTALLED WILL BE FURNISHED.						

115836 MODIFICATION KIT TO EQUIP A 5 LEVEL DXD WITH INTERCHANGEABLE SEGMENT CODE DISKS



126815 SCREW  
 90791 WASHER, LOCK  
 112627 NUT  
 126813 SPRING

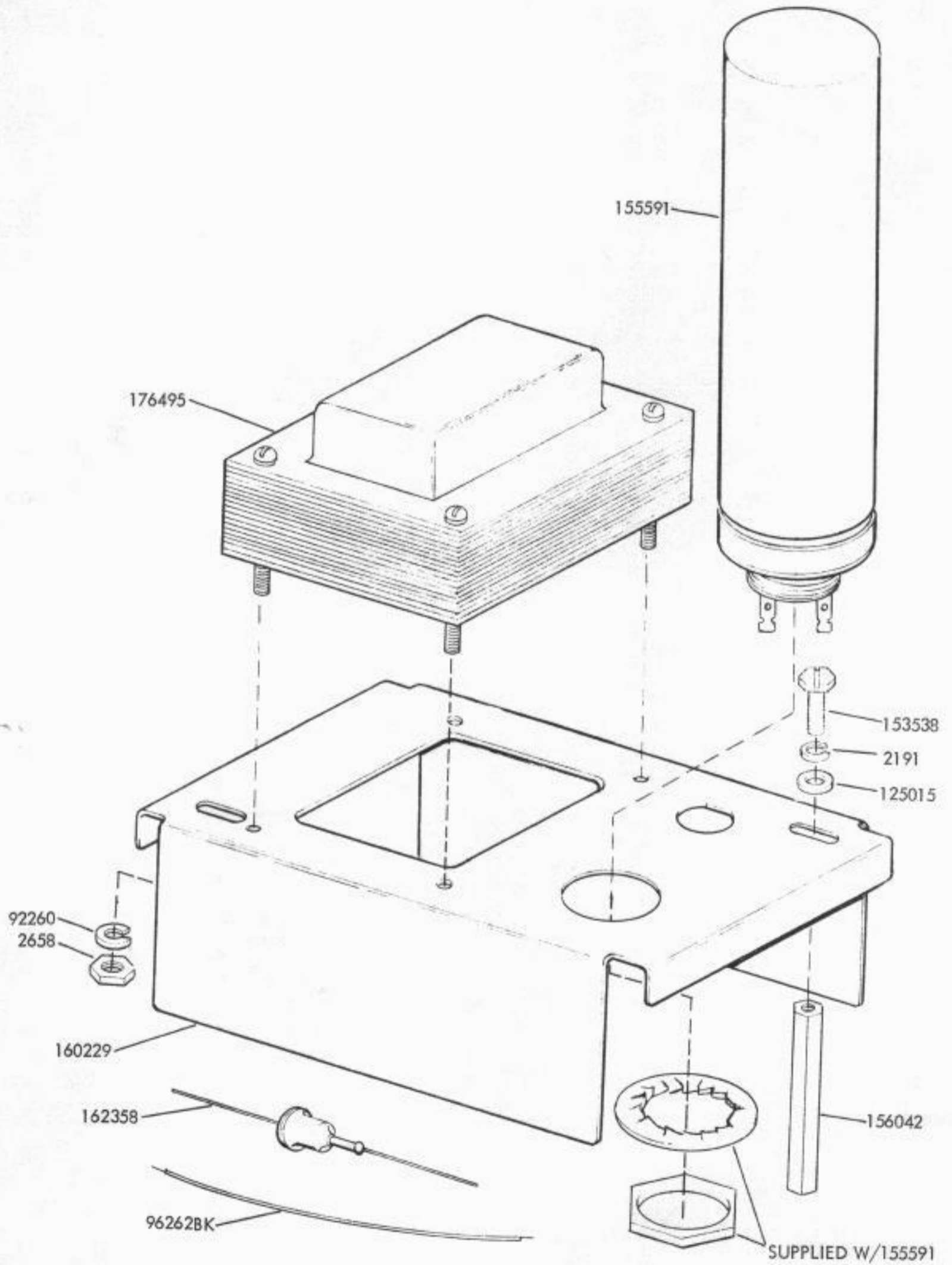


- 146390 DISK ASSEM. CODE - #1  
 INCLUDES 146380 DISK  
 AND PARTS MARKED (A)
- 146391 DISK ASSEM. CODE - #2  
 INCLUDES 146381 DISK  
 AND PARTS MARKED (A)
- 146392 DISK ASSEM. CODE - #3  
 INCLUDES 146382 DISK  
 AND PARTS MARKED (A)
- 146393 DISK ASSEM. CODE - #4  
 INCLUDES 146383 DISK  
 AND PARTS MARKED (A)
- 146394 DISK ASSEM. CODE - #5  
 INCLUDES 146384 DISK  
 AND PARTS MARKED (A)
- 146395 DISK ASSEM. CODE - #6  
 INCLUDES 146385 DISK  
 AND PARTS MARKED A
- 146414 DISK ASSEM. CODE - #7  
 INCLUDES 146386 DISK  
 AND PARTS MARKED (A)
- 146387 CODE DISK #8

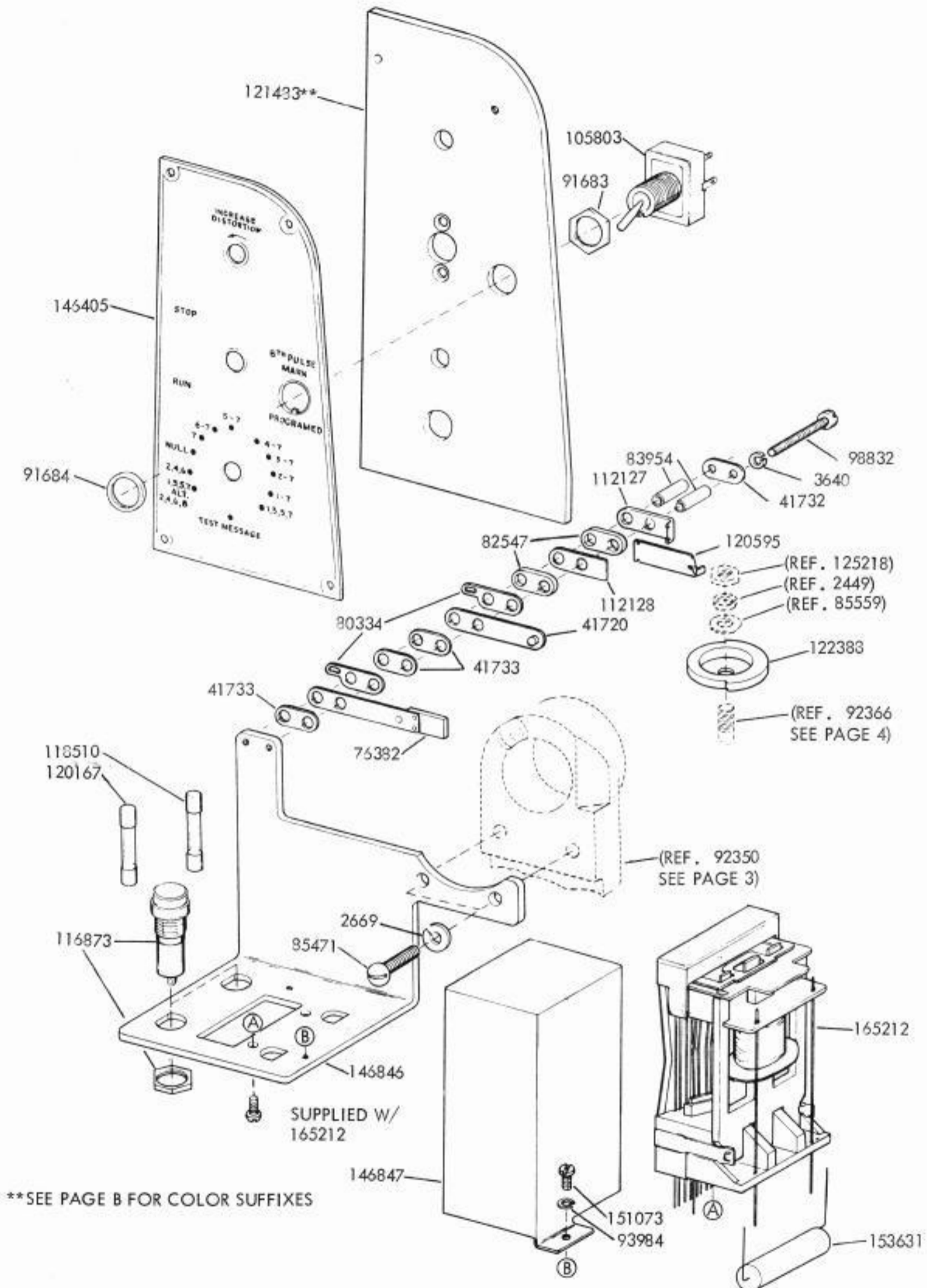


INTERCHANGEABLE SEGMENTS

\*REVERSIBLE IN POSITION  
SPECIFICATION 57155



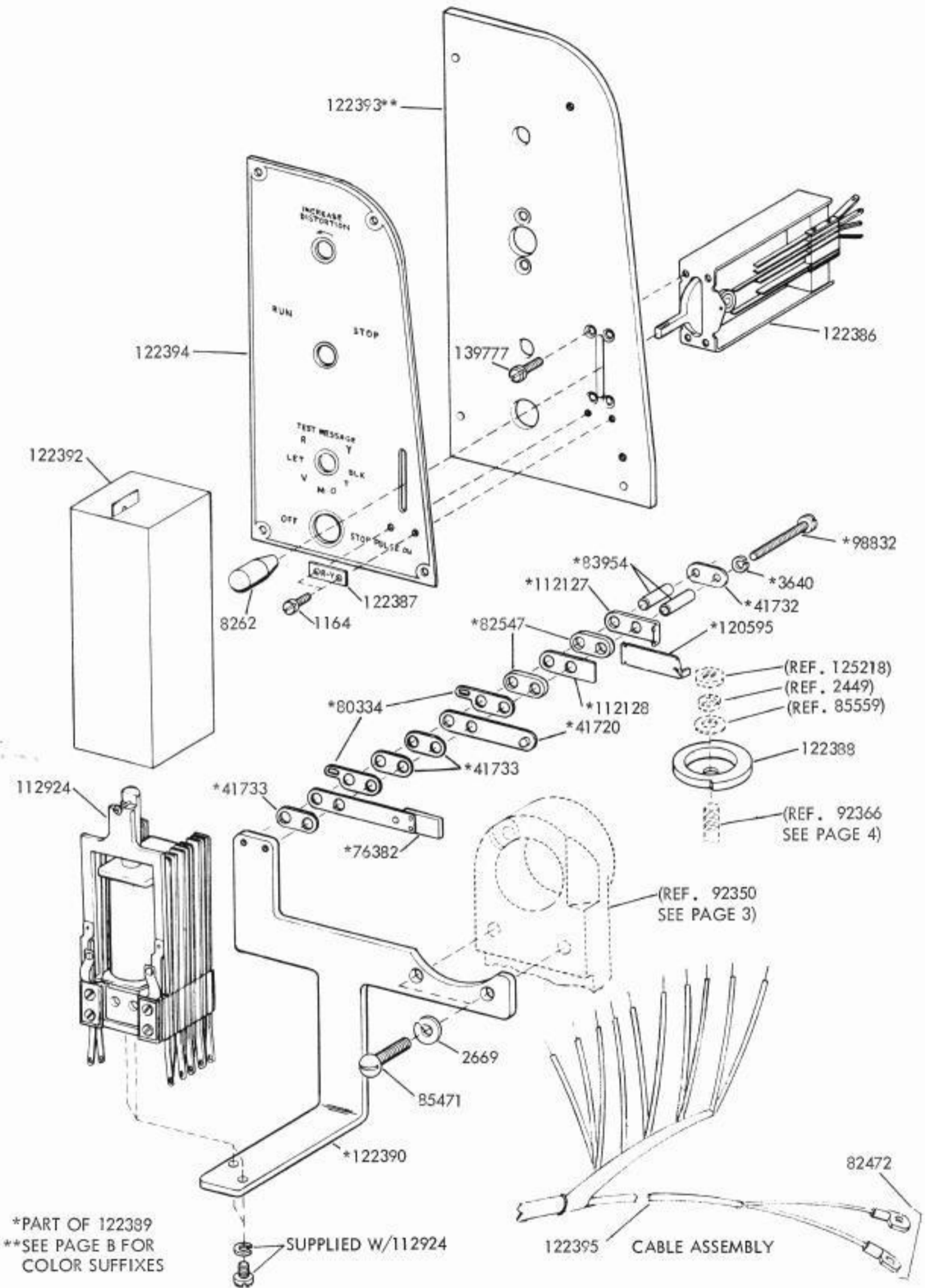
176496 RECTIFIER ASSEMBLY



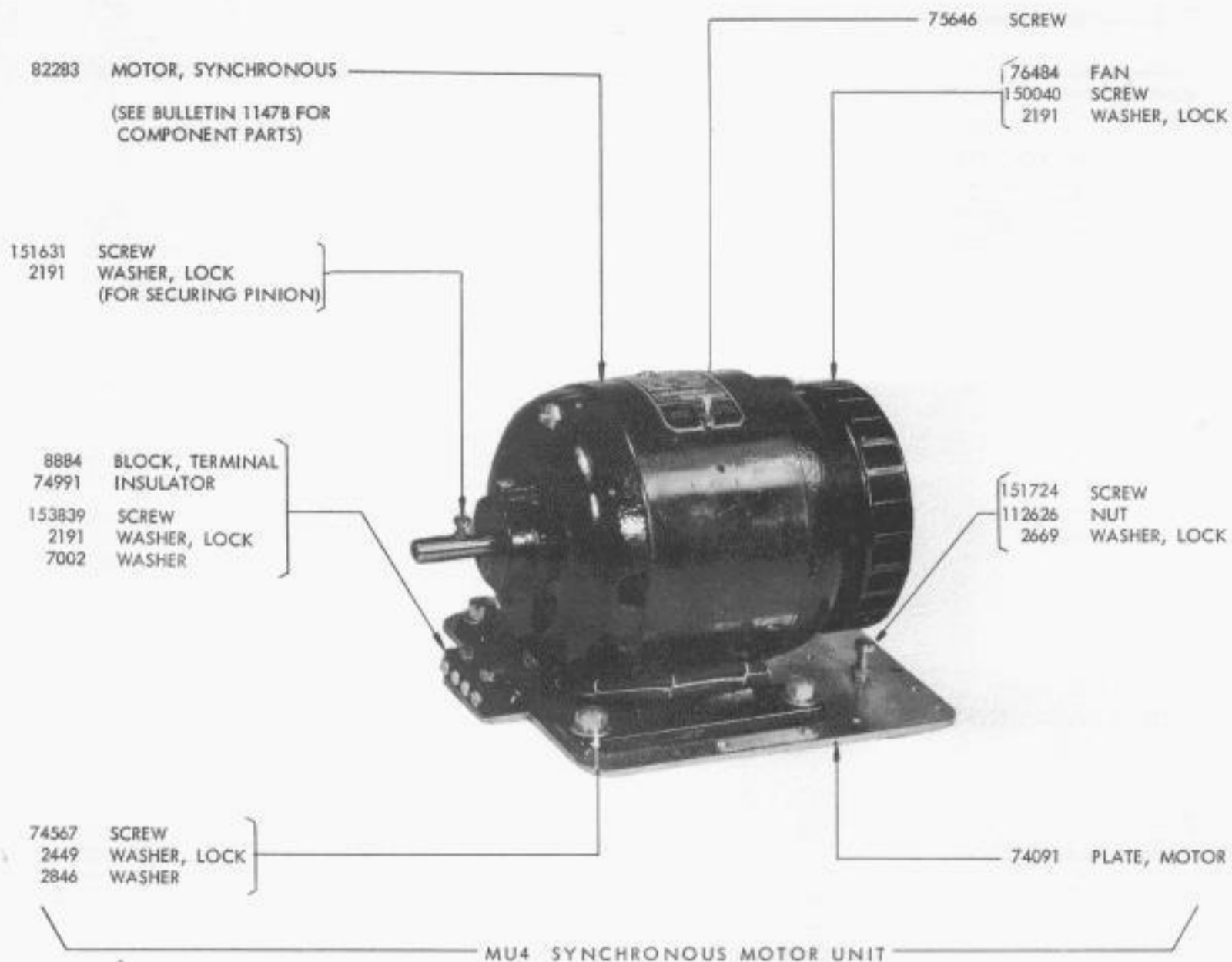
\*\*SEE PAGE B FOR COLOR SUFFIXES

ALTERNATE R-Y MECHANISM FOR DXD800\*\* ONLY

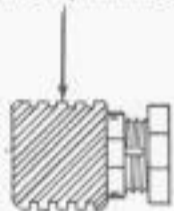




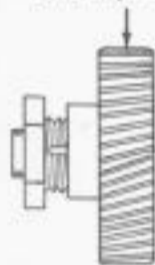
122391 MODIFICATION KIT FOR TRANSMISSION OF ALTERNATE R-Y SIGNALS



PINION (WITH HUB)

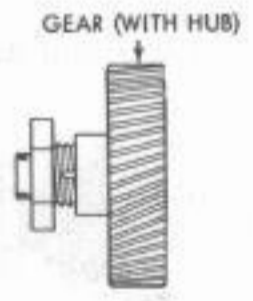
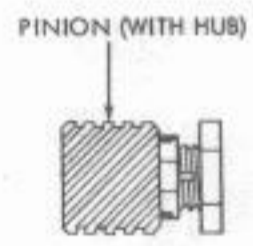
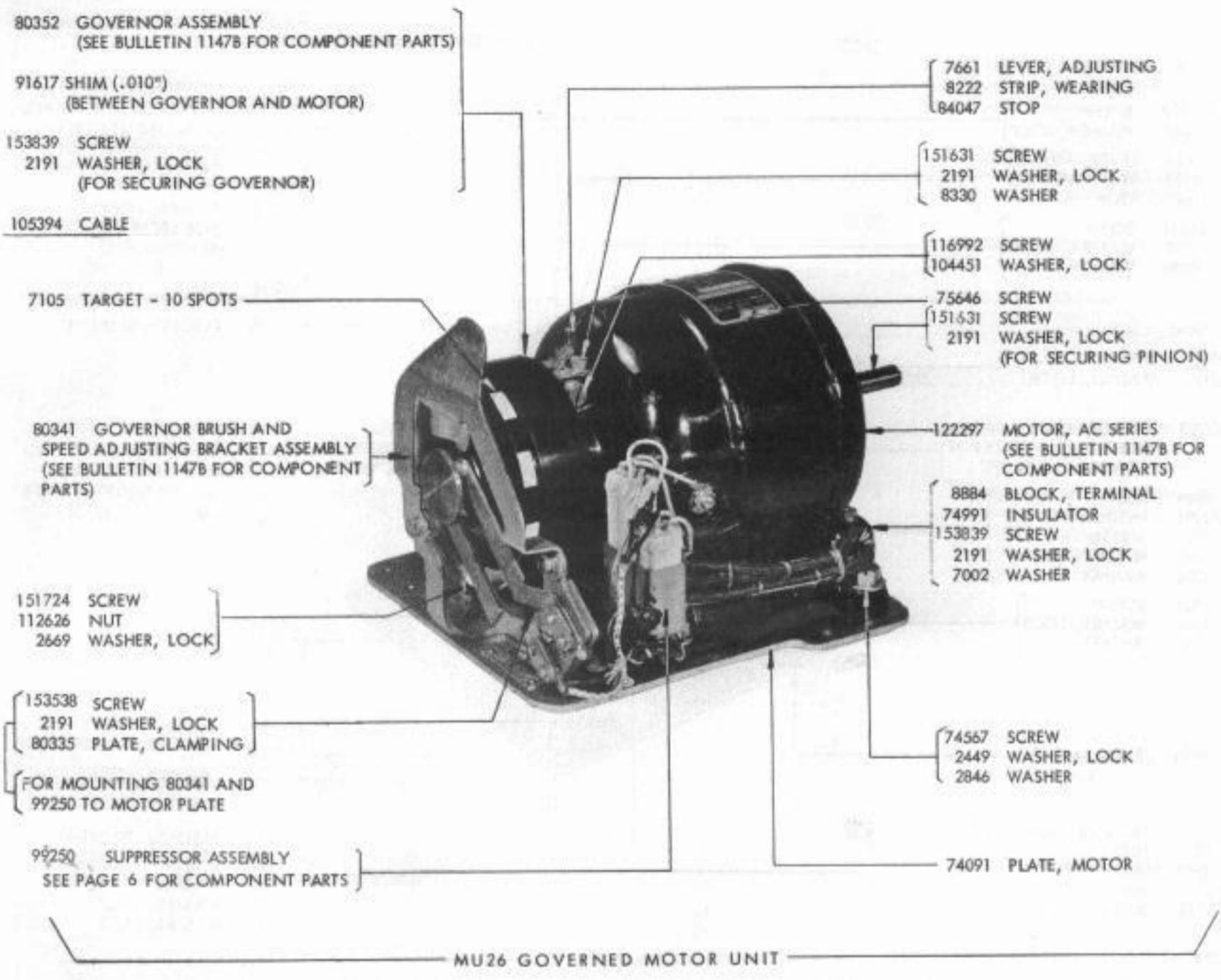


GEAR (WITH HUB)



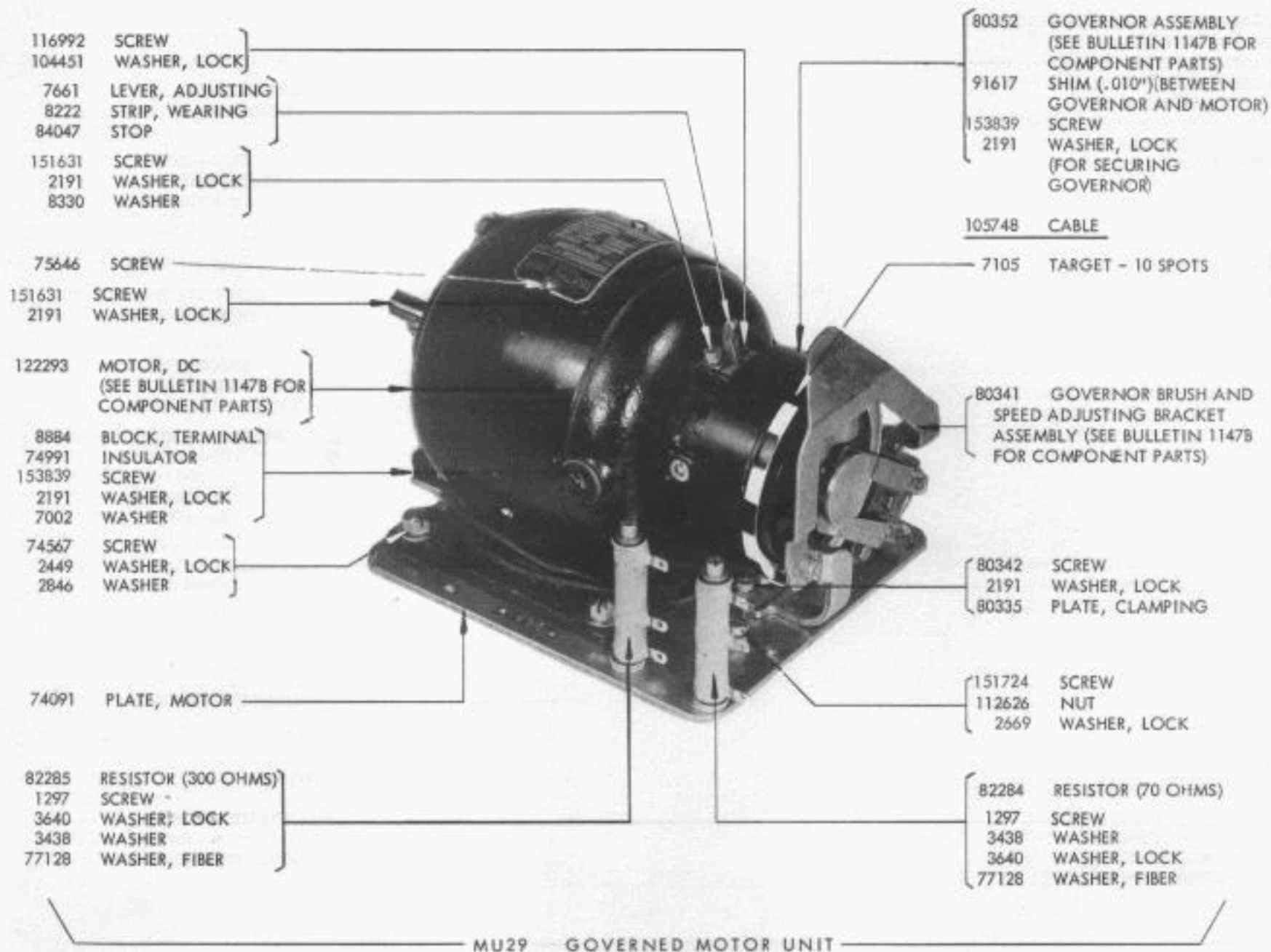
GEAR SETS FOR SYNCHRONOUS MOTORS (ORDERED SEPARATELY)			
SPEED (OPM)	GEAR SET	PINION	GEAR
334.88	107309	107301-8T	107300-43T
367.92	106957	116795-13T	116794-53T
368	96473	102662-9T	102663-44T
390 - 7.00 Unit Code	139269	139271-13T	139270-60T
403.85 - 49.96 Baud	121881	121882-14T	121883-52T
404.08 - 49.99 Baud	114465	114463-11T	114464-49T
420	122226	122105-7T	122106-30T
460	96474	102669-12T	102670-47T
525	122093	122094-14T	122095-48T
600	110897	110889-12T	110890-36T
636 - 7.00 Unit Code	139389	139390-12T	139391-34T
* 428.57 - 50 Baud	143329	143330-10T	143331-42T
* 642.86 - 75 Baud	143332	143333-20T	143334-56T

\*For 7 Unit Transmission of 5 Unit Code

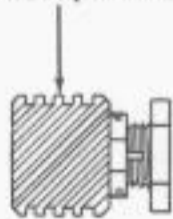


GEAR SETS FOR SERIES MOTORS (ORDERED SEPARATELY)			
SPEED (OPM)	GEAR SET	PINION	GEAR
368	96572	102667-7T	102668-40T
*404-50 Baud	96572	102667-7T	102668-40T
420	122855	122856-9T	122857-45T
460	96573	102666-7T	102665-32T
525	122852	122853-9T	122854-36T
600	113210	110898-10T	110899-35T

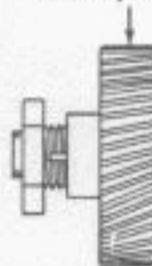
\* Use 104984 speed indicator to achieve 2303 rpm on motor.



PINION (WITH HUB)



GEAR (WITH HUB)



GEAR SETS FOR DC MOTORS (ORDERED SEPARATELY)			
SPEED (OPM)	GEAR SET	PINION	GEAR
368	96572	102667-7T	102668-40T
420	122855	122856-9T	122857-45T
460	96573	102666-7T	102665-32T
525	122852	122853-9T	122854-36T
600	113210	110898-10T	110899-35T

## NUMERICAL INDEX

Part Number	Description and Page Number	Part Number	Description and Page Number	Part Number	Description and Page Number
1012	Screw, Shoulder (6-40) 4	8884	Block, Terminal 12,13, 14	78103	Screw (6-40 x 3/16 Hex) 5
1028	Screw, Terminal (4-40) 5,6	34432	Washer, Flat 5	78205	Resistor 6
1038	Screw (6-40 x 9/32 Fil) 6	35503	Foot, Rubber 5	78430	Clamp, Cable 5
1109	Screw (10-32 x 7/32 Set) 3	36273	Washer, Flat 6	78469	Bumper, Rubber 1
1113	Screw (1/4-20 x 7/8 Hex) 5	41720	Spring, Contact 10	78905	Washer, Fiber 6
1163	Screw (4-40 x 3/16 Fil) 1	41732	Plate, Clamp 3,10,11	79509	Spring, Contact 3
1164	Screw (6-32 x 1/4 Rd) 10	41733	Insulator 3,10,11	79513	Plate 3
1214	Screw (10-32 x 13/32 Set) 4	43816	Screw, Stop (2-56) 2	79516	Shield 3
1224	Screw, Special (6-40 x 1/2) 4	70314	Washer, Flat 3	79517	Stiffener 3
1256	Screw (6-40 Set) 4	70497	Nut (5/16-32 Hex) 3	79519	Bushing 3
1266	Screw (6-32 x 7/16 Rd) 6	70722	Resistor 6	79523	Screw (2-56 x 25/32 Fil) 3
1297	Screw (6-40 x 2-7/16 Fil) 14	70724	Insulator 6	80294	Post 3
2034	Washer, Flat 2	70873	Cap, Brush Holder 6	80334	Terminal 10
2191	Washer, Lock 1,2,3,4, 5,6,10,11,12,13,14	70887	Nut (10-24 Hex) 6	80335	Plate 13,14
2422	Washer, Lock 3	71156	Shim (.010") 3	80341	Bracket Assembly, Governor Adjusting 9,10
2438	Washer, Flat 6	72565	Washer, Lock 3	80342	Screw (6-40 x 23/64 Hex) 14
2449	Washer, Lock 3,5,11, 12,13	72656	Washer, Lock 3	80352	Governor Assembly 13,14
2658	Nut (6-32 Hex) 9	73180	Switch, Toggle 1	80460	Clamp, Cable 5
2669	Washer, Lock 2,3,4,5, 6,10,11,12,13,14	73357	End Assembly 6	80508	Screw (4-40 x 25/32 Fil) 4
2846	Washer, Flat 12,13,14	73479	Plug 5	80706	Screw (6-40 x 3/16 Set) 4
3043	Resistor 5	74014	Screw (10-32 x 3/4 Hex) 4	80708	Clamp, Cable 5
3094	Insulator 5	74091	Plate, Motor 12,13,14	80757	Screw (10-32 x 1/2 Fil) 3
3145	Plate 4	74493	Bushing 3	81560	Post, Spring 4
3153	Post 4	74514	Screw (4-40 x 55/64 Fil) 5	81724	Spring, Contact 3
3339	Nut (9/16-32 Hex) 3	74547	Collar 4	81726	Terminal 3
3438	Washer, Flat 3,10,11,14	74567	Screw (1/4-20 x 33/64 Hex) 12,13,14	81825	Capacitor 5
3598	Nut (6-40 Hex) 1,3,6	74717	Screw (4-40 x 23/32 Fil) 3	82283	Motor, AC Synchronous 12
3599	Nut (4-40 Hex) 1,2	74722	Washer, Flat 2,3	82284	Resistor 14
3618	Insulator 3	74805	Screw (10-32 x 3/4 Hex) 2,3	82285	Resistor 14
3640	Washer, Lock 1,2,3,4, 5,6,10,11,14	74953	Screw (4-40 x 13/16 Fil) 4	82444	Bushing 3
3647	Insulator 3	74991	Insulator 12,13,14	82474	Terminal 5,6,11
3650	Washer, Flat 5	75646	Screw, Drive (#0 x 3/16) 1,12,13,14	82547	Insulator 3,10,11
3870	Spring 3	75750	Washer, Fiber 5	82559	Bushing 5
4871	Bolt (10-24 x 4 Rd) 6	76084	Washer, Friction 3	82702	Screw (6-40 x 9/32 Flat) 3,6
5702	Key 1	76085	Disk, Friction 3	82867	Resistor 5
6807	Screw (6-40 x 3/16 Set) 4	76086	Spring, Friction 3	82870	Resistor 5
7002	Washer, Flat 2,3,4,5,6, 12,13,14	76087	Nut, Friction (9/16-32) 3	83408	Screw (4-40 x 3/16 Rd) 1
7048	Screw, Shoulder (10-32) 4	76117	Block, Terminal 5	83954	Bushing 10
7105	Target (10 Spot) 9,13	76118	Block, Terminal 5	84021	Clamp, Cable 5
7415	Nut (1/2-32 Hex) 3	76323	Bushing 2	84047	Stop, 13,14
7661	Lever, Governor Adjusting 13,14	76377	Bushing 2	84360	Shaft 3
8222	Strip, Wearing 13,14	76382	Spring, Contact 10	84363	Cover 3
8254	Clamp, Cable 5	76484	Fan, Motor 8	84368	Arm, Clutch 3,4
8262	Knob 1,11	77038	Spring, Contact 3	84369	Sleeve 3
8330	Washer, Flat 9,14	77054	Stud 4		
		77063	Screw, Stop (4-40) 2		
		77128	Washer, Fiber 10		
		77902	Screw (6-40 x 2-3/8 Rd) 5		
		78011	Capacitor 5		
		78028	Screw (6-40x15/16 Hex)2,6		

## NUMERICAL INDEX (Continued)

Part Number	Description and Page Number	Part Number	Description and Page Number	Part Number	Description and Page Number
84373	Bushing 3	92368	Gear - 60T 3	95143	Disk, Inner Segment 2
84379	Hub 3	92369	Bail, Contact 4	95282	Resistor 1,5
84384	Spacer, Code Disk 3	92370	Lever, Contact 3	95636	Coil 6
84385	Stud, Code Disk 3	92371	Cylinder, Code 4	95935	Bushing 6
84014	Screw, Shoulder (6-40)	92372	Bracket, Contact 4	95937	Capacitor 6
84892	Stiffener 3	92373	Shaft 4	95938	Capacitor 6
85471	Screw (10-32 x 1 Hex) 10	92374	Shaft 4	96262BK	Strap (4" Black) 9
85559	Washer, Flat 2,3	92375	Segment, Gear 4	96459	Cylinder, Code 4
85935	Post, Spring 3	92376	Spacer 3	96460	Plate, Panel 1
86746	Screw, Shoulder (6-40) 3	92377	Bearing, Code Disk 4	96461	Bracket, Resistor 5
87145	Disk 7	92378	Holder, Wick 4	96462	Insulator 1
87146	Disk 7	92379	Wick, Oiler 4	96463	Pully, Brake 4
87147	Disk 7	92380	Pinion - 12T 4	96464	Wedge, Brake 4
87148	Disk 7	92382	Screw 4	96465	Post 4
87149	Disk 7	92383	Gear, Idler - 48T 4	96473	Gear Set 12
87151	Disk 7	92387	Insulator 2	96474	Gear Set 12
87152	Disk 7	92390	Terminal 2	96475	Disk 7
87153	Disk 7	92391	Plate, Clamp 2	96476	Disk 7
87393	Disk 7	92392	Arm, Brush 2	96477	Disk 7
87394	Disk 7	92393	Clamp, Brush Arm 2	96478	Disk 7
87395	Disk 7	92395	Clamp, Lamp 2	96497	Disk 7
87396	Disk 7	92396	Arm, Lamp 2	96572	Gear Set 13,14
87397	Disk 7	92397	Scale 1	96573	Gear Set 13,14
87406	Disk 7	92398	Gear, Worm - 40T 3	96774	Plate, Name 1
87409	Disk 7	92399	Plate, Panel 1	96814	Resistor Unit 5,6
87410	Disk 7	92400	Plate, Panel 1	97569	Bracket 6
87411	Disk 7	92402	Hub 2	97571	Resistor Unit 5,6
87412	Disk 7	92406	Shaft w/Gear 3	98832	Screw (4-40 x 11/16 Fil) 10
87413	Disk 7	92407	Block, Terminal 4	99250	Suppressor, Electrical Noise 6,13
87414	Disk 7	92408	Block, Terminal 4	99354	Container 6
87415	Disk 7	92410	Knob 1	99355	Bracket 6
87416	Disk 7	92413	Knob 1	99356	Bracket 6
87417	Disk 7	92415	Spring, Friction 2	99357	Strap, Retaining 6
87418	Disk 7	92416	Shaft 3	99762	Plug 5
87419	Disk 7	92417	Bearing 3	99763	Cord Assembly 5
87420	Disk 7	92419	Plate, Stop 4	99819	Cord w/Terminals 5
87421	Disk 7	92420	Plate, Base 5	101273	Disk 7
87422	Disk 7	92421	Cam, Contact 3	101489	Spring 1
87423	Disk 7	92422	Bracket, Contact 3	101490	Stud 1
87424	Disk 7	92423	Latch, Contact 3	101491	Lever, Brake 1
89925	End, Terminal 6	92425	Lever 3	102164	Plate, Name 5
90096	Washer, Fiber 5	92427	Spring, Contact 3	102662	Pinion - 9T 12
90122	Bearing, Ball 3	92433	Disk 7	102663	Gear - 44T 12
90791	Washer, Lock 7,8	92437	Lamp 2	102665	Gear - 32T 13,14
91617	Shim (.010") 13,14	92813	Insulator 2	102666	Pinion - 7T 13,14
91683	Nut (15/32-32 Hex) 1,10	93075	Nut (15/32-32 Shoulder Ring) 1	102667	Pinion - 7T 13,14
91684	Nut (15/32-32 Ring) 1,10	93117	Washer, Lock 4	102668	Gear - 40T 13,14
92204	Clamp, Cable 5	93136	Switch, Toggle 1	102669	Pinion - 12T 12
92260	Washer, Lock 9	93667	Spring, Contact 3	102670	Gear - 47T 12
92350	Bearing 3	93706	Cable, Distributor 5	103178	Lever, Assembly 1
92351	Extension 3	93707	Cable, Motor 5	103230	Cord, Assembly 5
92354	Disk, Inner Segment 2	93984	Washer, Lock 10	103231	Cord, Assembly 5
92356	Disk, Outer Segment 2	95136	Disk, Outer Segment 2	103232	Cord, Assembly 5
92364	Segment, Retaining 2	95140	Ring 1	103233	Cord, Assembly 5
92365	Plate, Retaining 2	95141	Scale 1		
92366	Worm w/Shaft 4				

## NUMERICAL INDEX (Continued)

Part Number	Description and Page Number	Part Number	Description and Page Number	Part Number	Description and Page Number
103234	Cord w/Terminals 5	121484**	Ring 1	126811	Segment 7
103235	Cord w/Terminals 5	121485**	Cover 1	126812	Tool, Extracting 7,8
103236	Plug 5	121881	Gear Set 12	126813	Spring 7,8
103798	Disk 7	121882	Pinion - 14T 12	126815	Screw (2-56 Spl) 7,8
103799	Disk 7	121883	Gear - 52T 12	130843	Washer, Felt 4
104093	Disk 7	121927	Strap 6	139269	Gear Set 12
104451	Washer, Lock 13,14	122093	Gear Set 12	139270	Gear - 60T 12
104767	Disk 7	122094	Pinion - 14T 12	139271	Pinion - 13T 12
105172	Disk 7	122095	Gear - 48T 12	139274	Scale 1
105173	Disk 7	122105	Pinion - 7T 12	139389	Gear Set 12
105394	Cable 13	122106	Gear - 30T 12	139390	Pinion - 12T 12
105748	Cable 14	122226	Gear Set 12	139391	Gear - 34T 12
105803	Switch 10	122293	Motor DC 14	139777	Screw (3-56 x 1/4 Flat) 11
106957	Gear Set 12	122297	Motor, AC Series 13	142379	Roll Pin 3
107170	Screw (8-32 Set) 1	122386	Switch 10	146371	Bail, Contact 4
107300	Gear - 43T 12	122397	Plate, Instruction 11	146372	Cylinder, Code 4
107301	Pinion - 8T 12	122388	Cam, Timing 10,11	146373	Insulator 3
107309	Gear Set 12	122389	Contact Assembly 11	146374	Disk, Inner Segment 2
107490	Disk 7	122390	Bracket 11	146377	Disk, Outer Segment 2
110435	Nut (4-40 Hex) 1	122391	Modification Kit 11	146379	Ring, Segment 3
110889	Pinion - 12T 12	122392	Cover, Relay 11	146380	Disk, Code 8
110890	Gear - 36T 12	122393	Panel, Right 11	146381	Disk, Code 8
110897	Gear Set 12	122394	Plate, Panel 11	146382	Disk, Code 8
110898	Pinion - 10T 13,14	122395	Cable Assembly 11	146383	Disk, Code 8
110899	Gear - 35T 13,14	122852	Gear Set 13,14	146384	Disk, Code 8
111605	Screw (8-32 Set) 1	122854	Gear - 36T 13,14	146385	Disk, Code 8
111647	Resistor (1000 Ohms) 5	122855	Gear Set 13,14	146386	Disk, Code 8
112127	Hinge 10	122856	Pinion - 9T 13,14	146387	Disk Assembly 8
112128	Retainer 10	122857	Gear - 45T 13,14	146388	Scale 1
112585	Disk 7	123538	Clamp, Cable 5	146390	Disk Assembly 8
112586	Disk 7	124878	Washer, Lock 3	146391	Disk Assembly 8
112626	Nut (10-32 Hex) 3,4, 12,13,14	125011	Washer, Flat 1	146392	Disk Assembly 8
112627	Nut (2-56 Hex) 4,7,8	125013	Strip 5	146393	Disk Assembly 8
112633	Spring 4	125015	Washer, Flat 5,9	146394	Disk Assembly 8
112924	Relay 11	125218	Nut (1/4-32 Hex) 3	146395	Disk Assembly 8
113210	Gear Set 13,14	125240	Spring 4	146396	Hub 3
114463	Pinion - 11T 12	125245	Spring 4	146398	Spacer 3
114464	Gear - 49T 12	125269	Pin, Dowel 1	146399	Stud, Code Disk 3
114465	Gear Set 8	125643	Spacer 2	146400	Spacer 3
114478	Nut (15/32-32 Hex) 1	125903	Brush, Transmitter Disk 2	146401	Spacer 3
114626	Screw (6-40 x 2-1/16 Fil) 5	125935	Spring, Contact 4	146402	Cable, Distributor 5
114654	Strip, Terminal 5	126786	Disk Assembly 7	146403	Shaft 3
115836	Modification Kit 7	126787	Disk Assembly 7	146404	Bracket, Contact 4
116794	Gear - 53T 12	126788	Disk Assembly 7	146405	Plate, Panel 1
116795	Pinion - 13T 12	126789	Disk Assembly 7	146406	Spring 3
116873	Holder, Fuse 10	126790	Disk Assembly 7	146408	Segment 8
116992	Screw, Pilot (1/4-32) 13,14	126801	Disk, Code 7	146409	Segment 8
118510	Fuse .25 Amps 10	126802	Disk, Code 7	146410	Segment 8
120167	Fuse 3.2 Amps 10	126803	Disk, Code 7	146411	Segment 8
120595	Follower, Cam 10	126804	Disk, Code 7	146412	Segment 8
121480**	Hood 2	126805	Disk, Code 7	146413	Segment 8
121482**	Panel (left) 1	126806	Segment 7	146414	Disk Assembly 8
121483**	Panel 1	126807	Segment 7	146B46	Bracket 10
		126808	Segment 7	146847	Cover, Relay 10
		126809	Segment 7	146848	Cam 4
		126810	Segment 7		

## NUMERICAL INDEX (Continued)

Part Number	Description and Page Number	Part Number	Description and Page Number	Part Number	Description and Page Number
146849	Shaft 4	151657	Screw (6-40 x 1/4 Fil) 1,2,3,4,5	153538	Screw (6-40 x 7/16 Hex) 6,9
150040	Screw (6-40 x 5/8 Fil) 3,12	151659	Screw (6-40 x 1/2 Fil) 4	153539	Screw (6-40 x 11/16 Hex) 5,11,12,13,14
150089	Screw (4-40 x 1/2 Fil) 2,5	151660	Screw (6-40 x 7/8 Fil) 2	155591	Capacitor 9
150710	Screw (6-40 x 1-1/4 Fil) 5	151686	Screw (4-40 x 3/8 Fil) 2	156042	Post, Spacing 9
151073	Screw (4-40 x 5/32 Fil) 10	151693	Screw (6-40 x 9/16 Fil) 2	156740	Screw (6-40 x 7/32 Hex) 3,6
151233	Washer, Flat 4	151721	Screw (6-40 x 3/4 Hex) 4	158163	Switch 4
151346	Screw (6-40 x 3/8 Fil) 1,2,3,4,5	151724	Screw (10-32 x 5/8 Hex) 3,4,5,11,12,13	160229	Plate, Mounting 9
151618	Screw (6-40 x 7/16 Fil) 5	153102	Screw Set (8-32) 1	160860	Screw (2-56 x 7/8 Fil) 4
151629	Nut (6-40 Lug) 4	153442	Screw (10-32 x 1/2 Hex) 5	161220**	Disk, Cover 1
151631	Screw (6-40 x 5/16 Hex) 5,11,12,13			162358	Diode 9
				165212	Relay 10
				176495	Transformer 9
				182510	Cord, Power 5