

INSTRUCTIONS FOR INSTALLING THE 305037 AND 310733  
MODIFICATION KITS TO ADAPT A MODEL 35 OR MODEL 28  
SPROCKET FEED TYPING UNIT TO TAKE 9-1/2 INCH WIDTH  
PAPER, RESPECTIVELY

1. GENERAL

a. The 305037 and 310733 modification kits adapt a Model 35 or 28 sprocket feed typing unit to accommodate continuous form feed stationery 9-1/2 inches wide, respectively.

b. The 305037 and 310733 kits consist of:

2	2191	Washer	1	305023	Lock, Shaft
2	7002	Washer	1	305024	Arm w/Hub
1	7015	Plate, Nut	1	305027	Arm, Right
2	151658	Screw	1	305028	Guide Assembly, Paper
1	154290	"O" Ring	1	305029	Platen, Hub Assembly (Right)
1	154358	Hub, Platen (Left)	1	305058	Guide, Form (only in 305037)
1	176238	Platen, w/Rubber	1	305059	Guide, Form (only in 310733)
11	195855	Pin	1	305771	Bracket, Guide
1	305022	Shaft			

c. For parts information, of parts other than those contained in the kits, refer to Teletype Parts Bulletins 1149B (Model 28) and 1187B (Model 35).

2. INSTALLATION (Figure 1)

a. Remove the Ribbon Spools and Type Box. Remove the 153726 through 153729 or 176911 through 176914 paper tray. (Discard paper tray).

b. Remove the following paper finger parts:

1	76800	Spring	1	155565	Arm, Right (w/Paper Finger)
1	55063	Spring	1	155566	Arm, Left (w/Paper Finger)
1	128357	Retainer	2	153685	Stripper
1	153678	Plate w/Shaft			

c. Remove the following platen retainer parts: (Remove the lower screws first)

1	151346	Screw	2	151637	Screw
1	2191	Lockwasher	2	125011	Washer, Flat
1	153692	Spur Gear	1	125802	Washer
2	151073	Screw	1	150720	Retainer, Right
4	110743	Lockwasher	1	150719	Retainer, Left

d. Remove platen detent assembly and remove the platen assembly from the typing unit. Disassemble the platen assembly in the following order:

Remove:

- 1 153686 Right Bearing Sleeve
- 1 153687 Left Bearing Sleeve

Loosen 150040 clamp screw

Remove right sprocket hub assembly

Remove platen cylinder

Remove left sprocket hub assembly

- 1 151346 Screw
- 1 2191 Lockwasher

e. Parts to be discarded from platen assembly:

- 1 153791 Shaft
- 1 Platen Cylinder
- 1 Right Sprocket Hub Assembly

NOTE

(Left Sprocket Hub Assembly) On printers equipped with early design hubs that do not have a rubber "O" Ring the sprocket hub must be replaced with 154358 hub furnished with modification kit. Left sprocket hubs that are equipped with "O" Rings will not be discarded.

f. For Left Sprocket Hub Assemblies that do not have rubber "O" Rings:

Disassemble the left sprocket hub in the following order:

NOTE

153695 pins are spring loaded and upon removing 153698 cam, pins will spring out.

- 3 153799 Screws
- 3 110743 Lockwasher
- 3 125011 Flat Washer

Remove 153689 gear

Remove 153698 cam

- 11 153695 Pin
- 11 153696 Spring

- g. Reassemble the left sprocket hub in the following order:

Assemble the 154290 "O" Ring to the groove in the 154358 platen hub. Insert the 195855 nylon pins (11) and position the pins (with the slot facing the open side of the hub) to accept the cam, pack the cavity in which the pins are visible with grease (KS7471), recheck position of the pins before proceeding to insert cam. Insert the 153698 left cam into the greased hub. When the cam is fully seated it should be flush with the projecting hub. Do not force the cam in. If it does not go in freely recheck position of the pins. Add the 153689 spur gear, flat side toward the hub. Fasten with three 153799 screws, 110743 lockwashers, and 125011 washers. Wipe off excess grease.

- h. Reassemble the platen assembly in the following order:

- (1) Slip the left sprocket assembly over the 305022 platen shaft and fasten with a 151346 screw, and 2191 lockwasher previously removed.
  - (2) Slip the 176238 platen cylinder over shaft and force it over the "O" Ring against the stop on the platen hub. (Note: Apply a light film of oil on the "O" Ring to facilitate assembly).
  - (3) Thread the 305029 right sprocket hub assembly onto platen shaft. (Measuring center distance between left sprocket and right sprocket pins thread right sprocket until a distance of 9 inches is obtained).
  - (4) Thread 305023 lock shaft onto shaft. (Shaft has left hand thread, turn counterclockwise to tighten).
- i. Place the 153687 bearing on the left end of shaft with groove facing the end of the shaft. Place the 153686 right bearing sleeve on the shaft with the chamfer or "O" (stamped on the top of the bearing, on older units) facing the end of the shaft.

#### NOTE

The bearings are not concentric and it is possible to install the 153686 bearing incorrectly. The wide part of the eccentric bearing should be toward the front of the unit.

- j. Install the platen assembly in the typing unit. Cam yokes, 153698 and 153699 must point up, and bushings must be aligned so that the rounded portion of the slot goes into the slot in the typing unit frames.

- k. Reassemble the platen retainer parts by reversing the order in Paragraph c.

- l. Disassemble 155897 right paper finger from 155565 right arm, (discard 155565 right arm).

- m. Install 155897 right paper finger on 305027 right arm.
- n. Install the following paper finger parts:
  - 1 305027 Right Arm w/Paper Finger (Discard 155565 arm)
  - 1 305024 Right Arm w/Hub (This assembly furnished with modification kit)  
Discard (1) 153685 stripper arm
  - 1 153685 Stripper Arm
  - 1 155566 Left Arm w/Paper Finger
  - 1 153678 Bracket w/Shaft
  - 1 128357 Retainer
  - 1 55063 Spring
  - 1 76800 Spring
- o. Snap in the 305028 paper tray. Replace the ribbon spools and type box.

NOTE

The following two items apply to cabinets equipped with the 153926 modification kits.

- p. Remove the form guide fastened to the lip of the small console lid (LP Cover) and substitute with the following:

305058 Form Guide - 305037 modification kit  
305059 Form Guide - 310733 modification kit

Secure with the same mounting screws or nuts.

- q. Assemble the 305771 guide bracket, to the cabinet using: 151658 screw, 2191 lockwasher, 7002 flat washer and 7015 nut plate. Install bracket to the right of cabinet paper entry slot.

### 3. ADJUSTMENTS AND LUBRICATION

For standard adjustments and lubrication procedure refer to Teletype Bulletins 217B (Model 28) and 281B (Model 35). Bell System refer to the standardized information.

NOTE

Make the following adjustments after installation of the kits.

- a. Sprocket Pin Separation Adjustment

Place a single sheet of sprocket feed paper on the platen. The sprocket pins should be centrally located in the feed holes.

To Adjust

Loosen 305023 shaft lock, (shaft has left hand threads - clockwise to loosen, counterclockwise to tighten). Rotate right sprocket hub assembly



(clockwise rotation lessens distance between pins, counterclockwise increases gap. Gap between pins changes 0.031 inch with every complete revolution of sprocket hub). Tighten shaft lock.

b. Parallelism Adjustment

The printing line should be parallel to a line drawn perpendicular to the edge of the paper within 1/32 inch.

To Adjust

Loosen 305023 shaft lock, (shaft has left hand threads - clockwise to loosen, counterclockwise to tighten). Position the hub. Tighten shaft lock.

NOTE

Adjustments a. and b. are directly related; therefore, both should be checked before tightening the shaft lock.

c. Make the Printed Line, Paper Fingers, Platen Detent, and Paper Tray Adjustments as given in the bulletins and standard information.

d. Form Guide Adjustment (Cabinet Adjustment)

There should be  $1/16 \pm 1/64$  inch clearance between the form guide and the platen.

To Adjust

Loosen the form guide mounting screws, and lock the dome lid. Push the form guide downward against the platen and back off 1/16 inch, making sure that the form guide is level. Tighten the mounting screws. Exception: for wall mounted units loosen the three screws fastening the form guide to the small door. With the small door closed, adjust the guide so that the bottom edge of the guide is 3/64" to 1/8" from the platen. Tighten the three screws.

e. Window Adjustment (Cabinet Adjustment)

When closing the lid of the console, there should be 0.060 to 0.080 inches clearance between the edge of the window and the form guide.

To Adjust

Loosen the four screws securing the window retainers, position the window and tighten the four screws. Exception: For wall mounted units with the small door closed, clearance between the guide and the window edge should be 0.080 to 0.110 inch. To adjust, position the window with the four retainer mounting screws loosened. When tightening the screws check to see that the gasket is between the window and the metal surfaces.

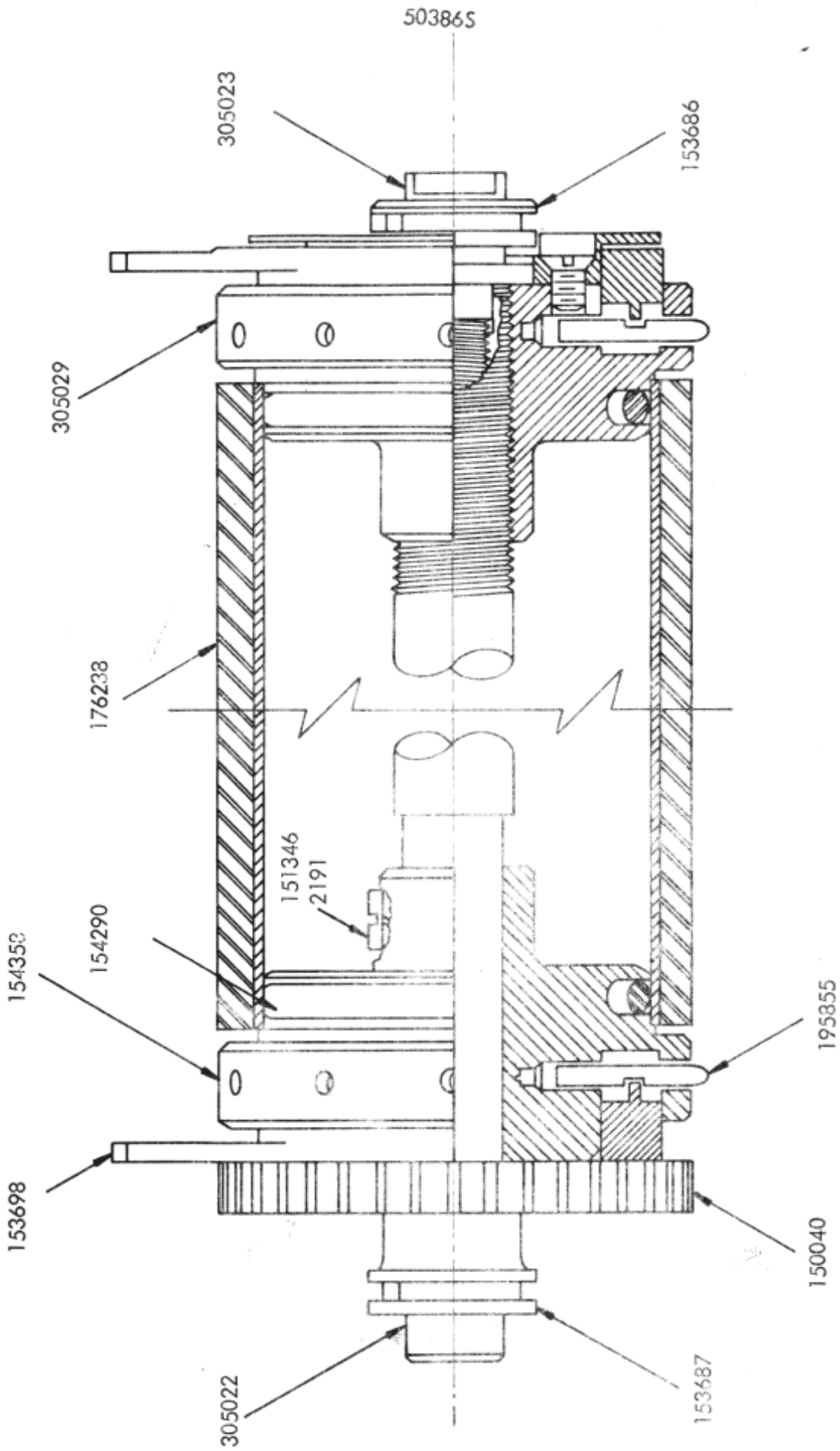


FIGURE 1