

DESCRIPTION, ADJUSTMENTS, AND PARTS CATALOG
OF THE TELETYPE REC-10 RECTIFIER



Description

The REC-10 rectifier is designed to deliver .200 ampere at 120 volts D.C. from a 105 to 125 volt 50 to 60 cycle A.C. single phase power supply. The direct current from this rectifier is suitable for operation of signaling or local relay and selector magnet circuits of Teletype apparatus.

This rectifier consists of an insulated type input transformer with variable secondary taps, a full wave selenium rectifying element, a power factor correction condenser, and a bleeder resistor. All parts are secured to a metal base which has rubber feet for shelf mounting. The rectifier is furnished complete with cover, cords, and plugs for making A.C. and D.C. connections.

The metal cover which is fastened to the base by means of screws is finished in black wrinkle.

The approximate dimensions of the rectifier are 11-7/8" long, 6-3/4" wide, and 8" high.

Rating

Input: 105 to 125 volts, 50 to 60 cycles A.C., single phase.

Output: .200 ampere at 120 volts D.C.

No load D.C. voltage when new: Not over 135 volts.

Adjustments

Three coarse and five fine secondary transformer taps are provided which terminate in spring jacks marked L, M, and H and 1, 2, 3, 4, and 5 for readily adjusting the D.C. output voltage for any particular line requirement and to correct for aging of the rectifier element.

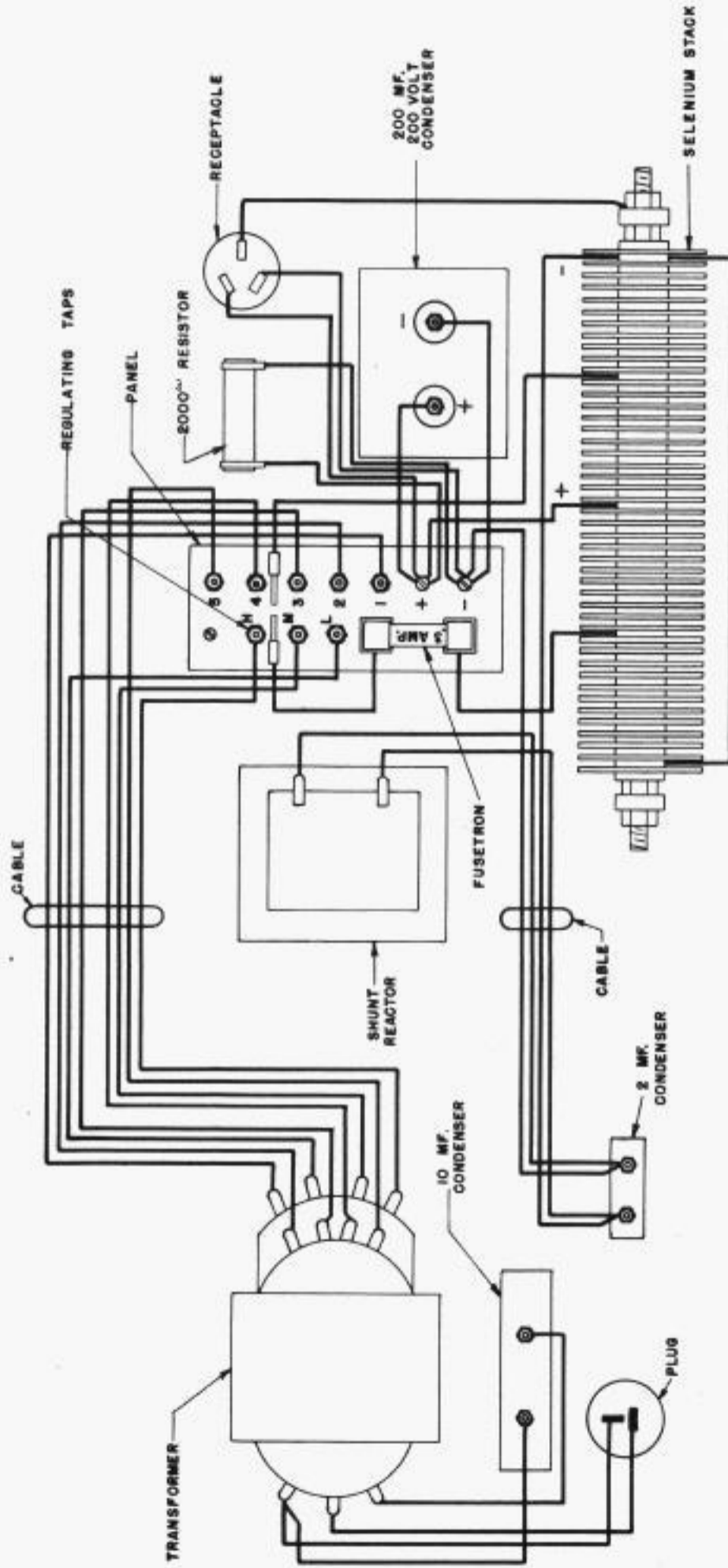
Rectifier adjustments are set at the factory on taps "M" and either "1," "2," or "3" to deliver .200 ampere at 120 volts D.C.

The method normally employed in checking the D.C. output of this rectifier is to disconnect all apparatus from the D.C. side and connect a 600 ohm resistor in series with a suitable milliammeter across the output. For correct adjustment of the output, the flexible leads should be connected to those taps which will cause the ammeter to register a current flow which is nearest but not less than .2 amperes. This adjustment should be checked when the rectifier is installed and periodically thereafter. The amount of aging will be somewhat greater during the first few months of use. After this, the rectifier should operate for long periods without the necessity of readjusting.

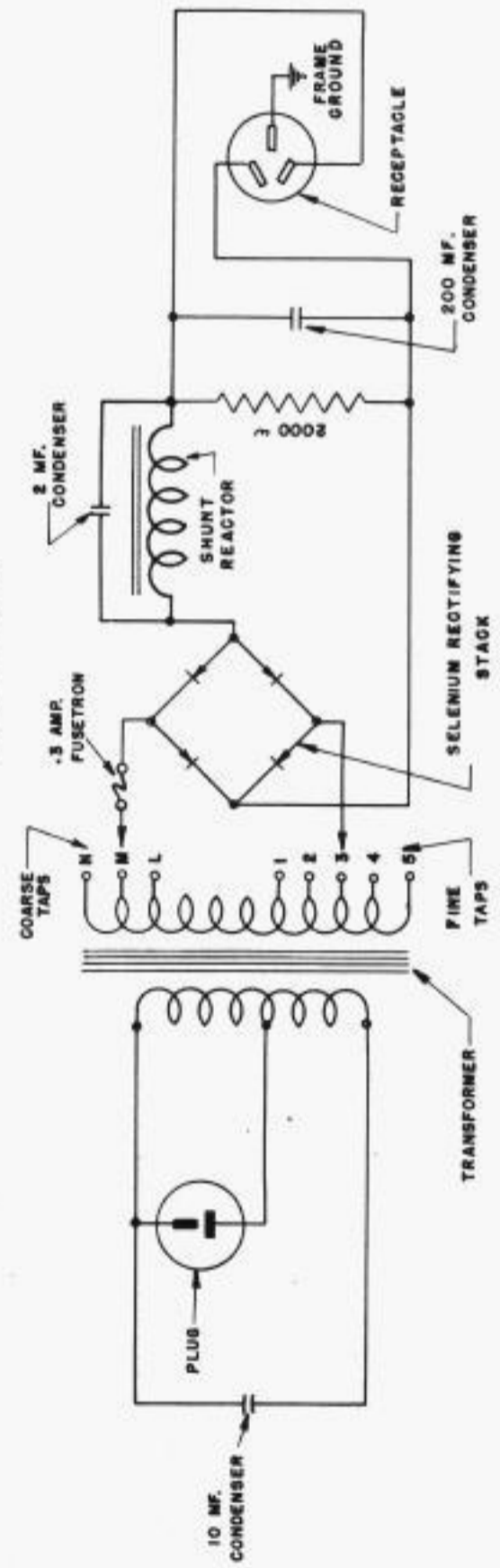
If at any time it is necessary to use the maximum regulating tap to obtain the proper output current, the rectifier should be withdrawn from service and repaired.

Wiring diagram WD-2019 shows the actual and theoretical wiring of this rectifier. A drawing showing part numbers, which also forms a part of this specification, will be found on the last page.

REVISIONS



ACTUAL WIRING



SCHEMATIC WIRING

TELETYPE CORPORATION

WD-2019

WIRING DIAGRAM FOR REC-10

DRAWN S.L.O.
 TRACED
 CHECKED
 ENG'R'D
 APPROVED

