



BULLETIN 1165B

PARTS

MODEL 28

TRANSMITTER DISTRIBUTOR SET
(LBXD - Fixed Head, Multi-contact Type)

TELETYPE[®]
CORPORATION

SUBSIDIARY OF *Western Electric Company* INC.

SKOKIE, ILLINOIS, U. S. A.



BULLETIN 1165B

PARTS

MODEL 28

TRANSMITTER DISTRIBUTOR SET
(LBXD - Fixed Head, Multi-contact Type)

TELETYPE[®]

CORPORATION

SUBSIDIARY OF *Western Electric Company* INC.

SKOKIE, ILLINOIS, U. S. A.

LIST OF EFFECTIVE PAGES

NOVEMBER, 1961

(Supersedes February, 1961 Issue)

Page Number	Change In Effect
A to C	Change 4
D to F	Change 2
1-1	Change 2
1-2 and 1-3	Change 3
1-4	Change 4
1-5	Change 3
1-6 to 1-12	Change 4
2-1	Change 2
2-2 to 2-7	Change 4
2-8	Change 3
2-9 to 2-13	Change 4
2-14	Change 3
2-15	Change 4
2-16 and 2-17	Change 3
2-18 to 2-22	Change 4
3-1	Change 2
3-2 to 3-7	Change 4
4-1	Change 2
4-2	Change 4
4-2 to 4-4	Change 4
5-1	Change 2
5-2 and 5-3	Change 4
5-4 to 5-8	Change 3
5-9 and 5-10	Change 4
6-1	Change 3
6-2	Change 4
7-1	Change 3
7-2 to 7-4	Change 4

The above list indicates the effective pages as of the date of issue. Upon receipt of changed pages, insert them numerically and discard any superseded pages.

TABLE OF CONTENTS

Figure Number		Page Number
SECTION 1 - BASES AND GEARS		
1-1	Mounting Base	1-2
1-2	Base, Sub-Base and Cable Assembly	1-3
1-3	Motor Control Relay	1-4
1-4	Intermediate Gear Mechanism and Gear Sets	1-4
1-5	Base - Multiple Mounted Units	1-5
1-6	Driving Shaft Mechanism-Multiple Mounted Units	1-6
1-7	Lower Base Assembly	1-7
1-8	Upper Base Assembly	1-8
1-9	Intermediate Bearing Housing Assembly	1-9
1-10	Gear Chart for Multiple Mounted Units (Common and Independent Speeds)	1-10
	Numerical Index - Section 1	1-11 and 1-12
SECTION 2 - TRANSMITTER DISTRIBUTOR UNITS		
2-1	Cover Plate and Top Plate	2-2
2-2	Tape Guide Plate	2-3
2-3	Center Plate	2-4
2-4	Switch Plate	2-5
2-5	Rear Plate	2-6
2-6	Bails	2-7
2-7	Front Plate	2-8
2-8	Sensing Shaft	2-9
2-9	Distributor Shaft	2-10
2-10	Sensing Mechanism	2-11
2-11	Main Frame	2-12
2-12	Distributor Block	2-13
2-13	Storing Switch	2-14
2-14	Storing Switch	2-15
2-15	Clutch Trip Mechanism	2-16
2-16	163630 Modification Kit to Provide Tape Lid Switch	2-17
2-17	161587 and 174067 Modification Kit to Adapt a Transmitter Distributor (LBXD) for Multiple Mounting	2-18
2-18	162592 Modification Kit to Provide Tape Deflector	2-19
2-19	161585 Modification Kit to Provide a Dummy Unit for Multiple Mounting Transmitter Distributor Base (LMAXB)	2-19
	Numerical Index - Section 2	2-20 to 2-22
SECTION 3 - MOTOR UNITS		
3-1	LMU3 Synchronous Motor Unit	3-2
3-2	LMU4 and LMU6 Series Motor Units	3-3
3-3	Series Motor Mounting Parts With RF Suppression (Part of LMU4)	3-4
3-4	Series Motor Mounting Parts (Part of LMU6)	3-5
3-5	150845 Governor Assembly (Part of LMU4 and LMU6)	3-6
	Numerical Index - Section 3	3-7
SECTION 4 - COVERS		
4-1	LBXC200** Cover	4-2
4-2	Cover for Multiple Mounted Units	4-3
	Numerical Index - Section 4	4-4
SECTION 5 - CABINETS		
5-1	Cabinet (Table Type)	5-2
5-2	Electrical Components (Table Type)	5-3
5-3	Cabinet Shelves and Tape Bin	5-4
5-4	161999** Modification Kit to Provide end Enclosures for Model 28 Universal Cabinet	5-5
5-5	Rear Doors and Latch Mechanism	5-6
5-6	Electrical Components	5-7
5-7	Electrical Components	5-8
5-8	142553 Modification Kit to Add Relay Control Group	5-9
	Numerical Index - Section 5	5-10
SECTION 6 - NOTES OF EXPLANATION		
	Notes of Explanation	6-2
SECTION 7 - MASTER NUMERICAL INDEX		

TELETYPE AND BELL SYSTEM CODE REFERENCE CHART

Unit	Teletype Code	Bell System Code	ASR Set Component	Self Contained Set Components	Multiple Mtg. Set Components	RT SET Components
Transmitter Distributor Unit	LBXD1	28F	X	X	X	X
	LBXD2		X	X		
	LBXD4		X			
	LBXD5		X			
	LBXD6	28G				
	LBXD7		X	X		
	LBXD8	28G-1				
	LBXD14		X	X		
LBXD800			X			
Base	LBXB1	SEE NOTE		X		
	LBXB2		X			
	LBXB800		X			
Sub Base	No Code			X		
Motor Unit	LMU3	28A		X	X	
	LMU4	28B		X		
	LMU6		X			
60 WPM	156658	28G		X		
60 WPM	162035	28AB			X	
60 WPM	172767		X			
65 WPM	158606		X			
67 WPM	161358		X			
*Gear Sets	75 WPM	156728	28H	X		
75 WPM	162038				X	
75 WPM	172770	28AC			X	
100 WPM	156659	28J		X		
100 WPM	162041				X	
100 WPM	172773	28AD			X	
106 WPM	161290			X		
Cover	LBXC200**	SEE NOTE		X		
				X		
Multiple Base and Cover	LMXB200**	28K**			X	
	LMXB204**				X	
Cabinet	LBAC200**				X	
Cabinet (Table Type)	AC273**			X		

NOTE: LBXB1 & LBXC200** Constitutes a Bell System 28F** Mounting and Cover Assembly

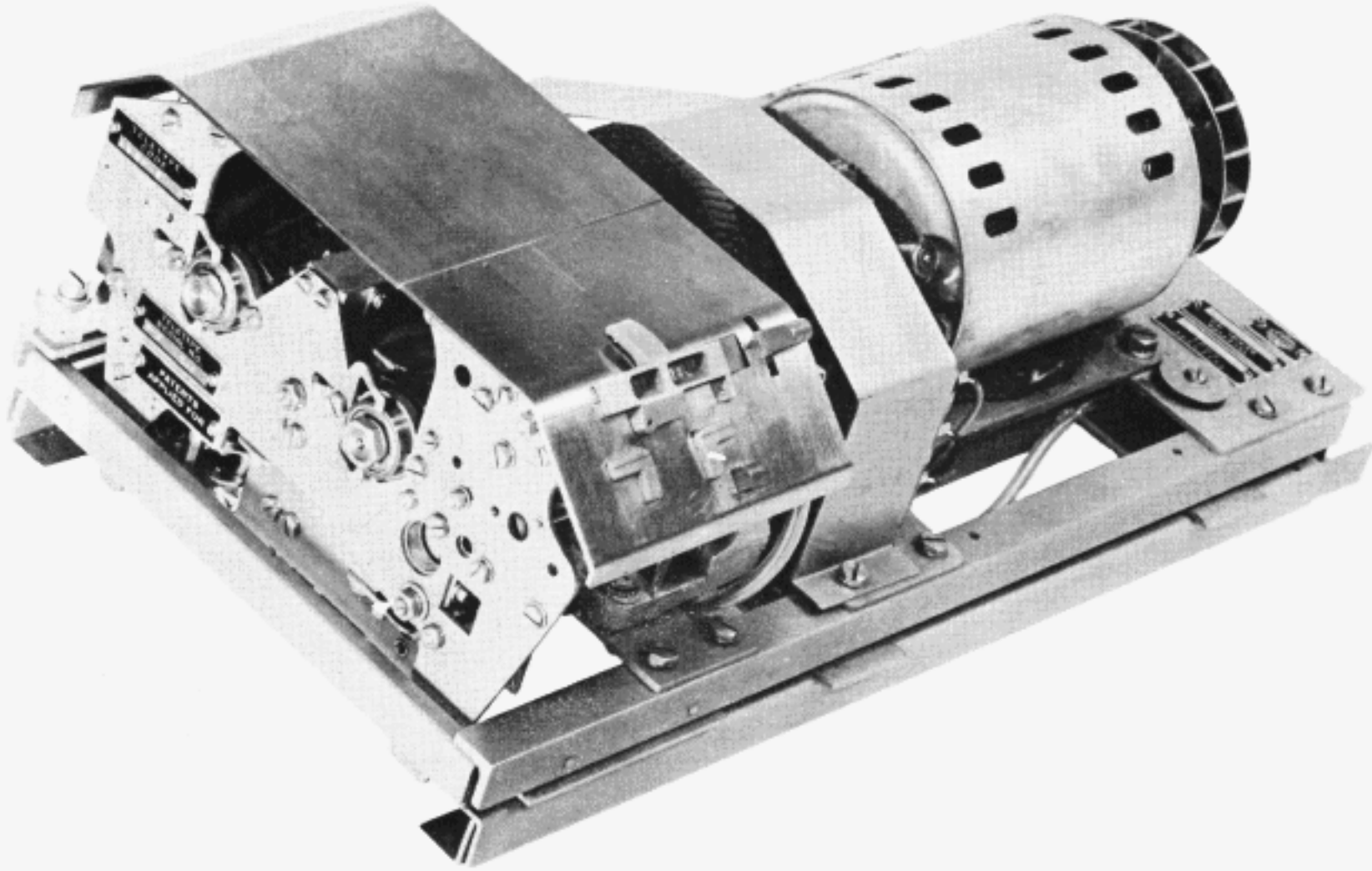
*For additional Gear Sets see chart on page 1-10.

PAINT FINISH COLOR CODE CHART (for parts and assemblies requiring a paint finish)								
SMOOTH FINISHES			WRINKLE FINISHES			TEXTURED VINYL		
Color	Suffix	Bell System Code	Color	Suffix	Bell System Code	Color	Suffix	Bell System Code
Black High Glass	BA	34	Black	AA	37	Gray Green	GA	45
Black Semi-Glass	BB		Gray Green	AB	40			
Gray Green	BK		Light Brown	AC	38			
		Dark Brown	AD					
Light Gray	BU		Federal Gray	AF				
Federal Gray	BV		Charcoal Gray	AL				
Charcoal Gray	BZ							
Sunland Beige	BX							

Suffix to be applied following the part number

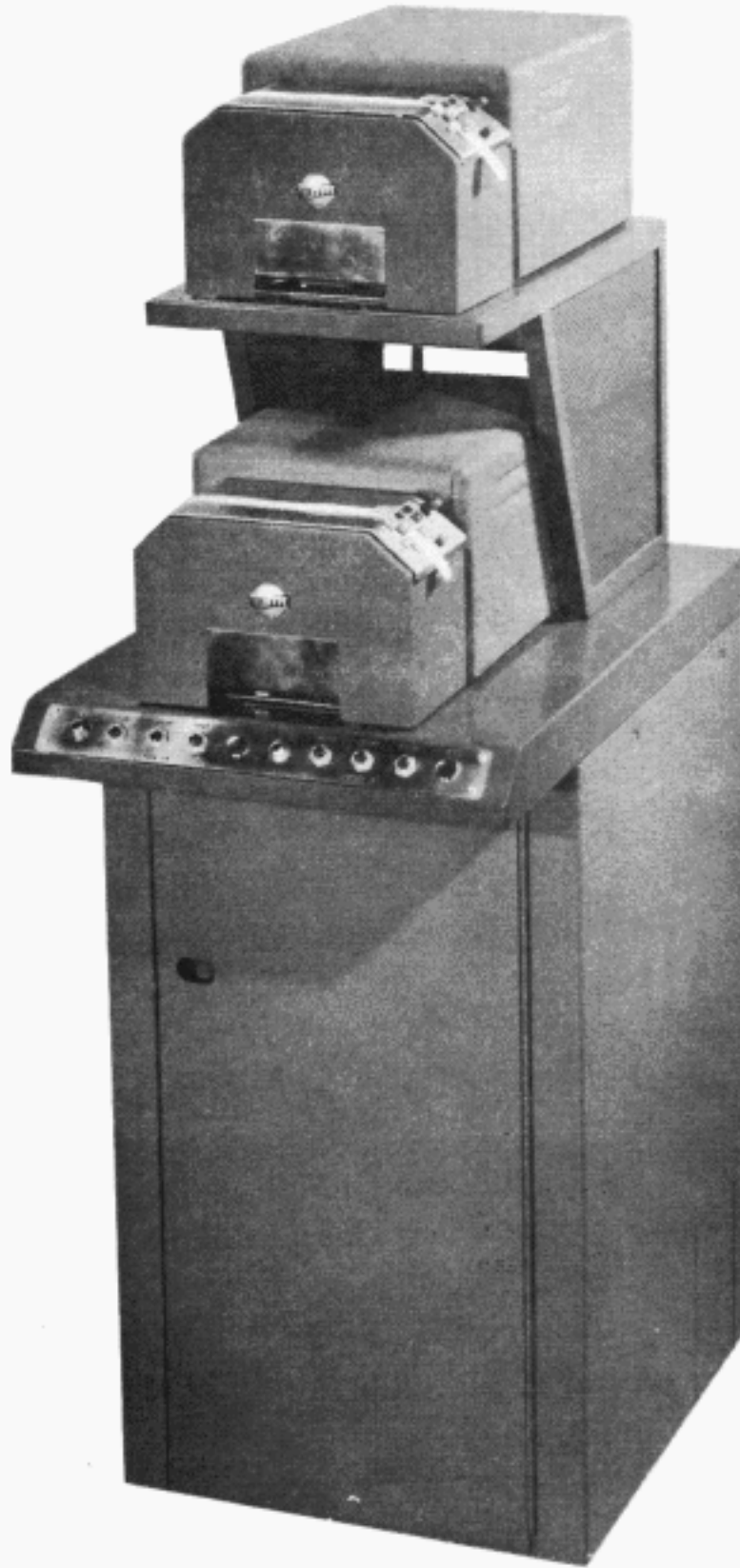
BELL SYSTEM ONLY

When ordering parts from this bulletin, prefix each number with the letters TP.



MODEL 28 TRANSMITTER DISTRIBUTOR (LBXD) WITH MOTOR UNIT (LMU) AND BASE (LBXB)
(Fixed head, multi-contact type)

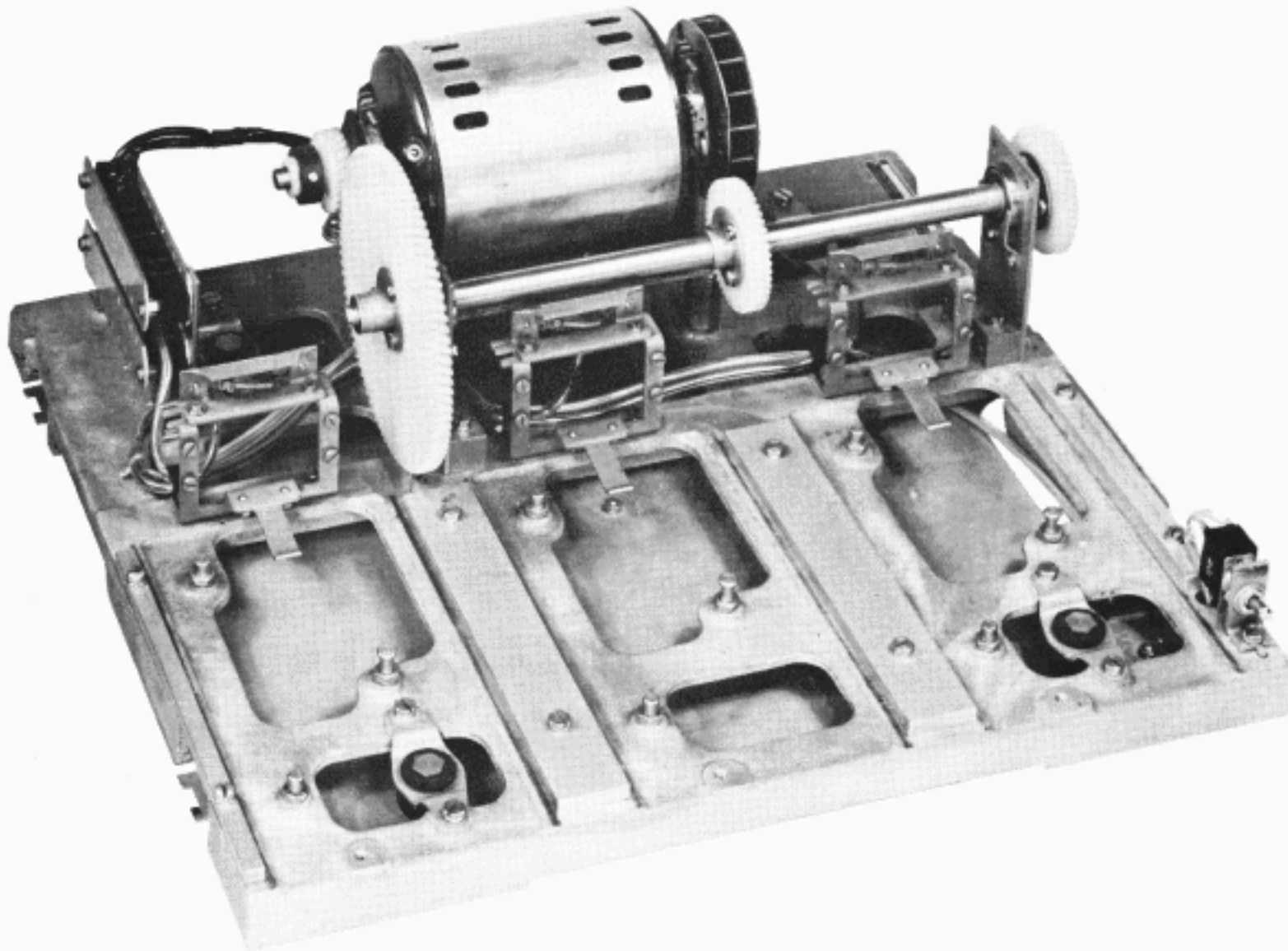
1165B



TRANSMITTER DISTRIBUTOR CABINET - TABLE TYPE
(Arranged for Double Deck Mounting)

CHANGE 2

E



MULTIPLE TRANSMITTER DISTRIBUTOR BASE (LMXB)

SECTION 1

BASES AND GEARS

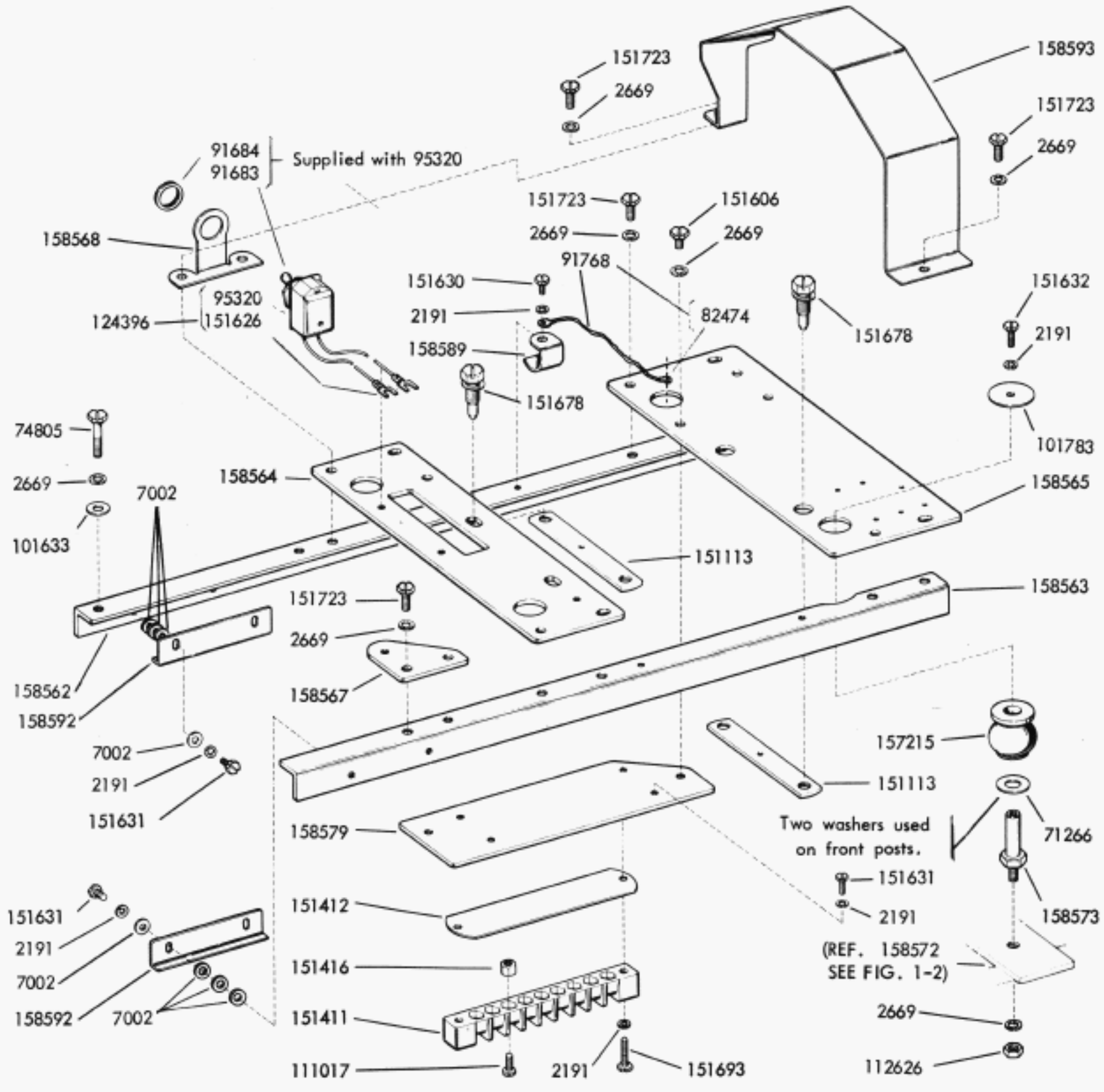
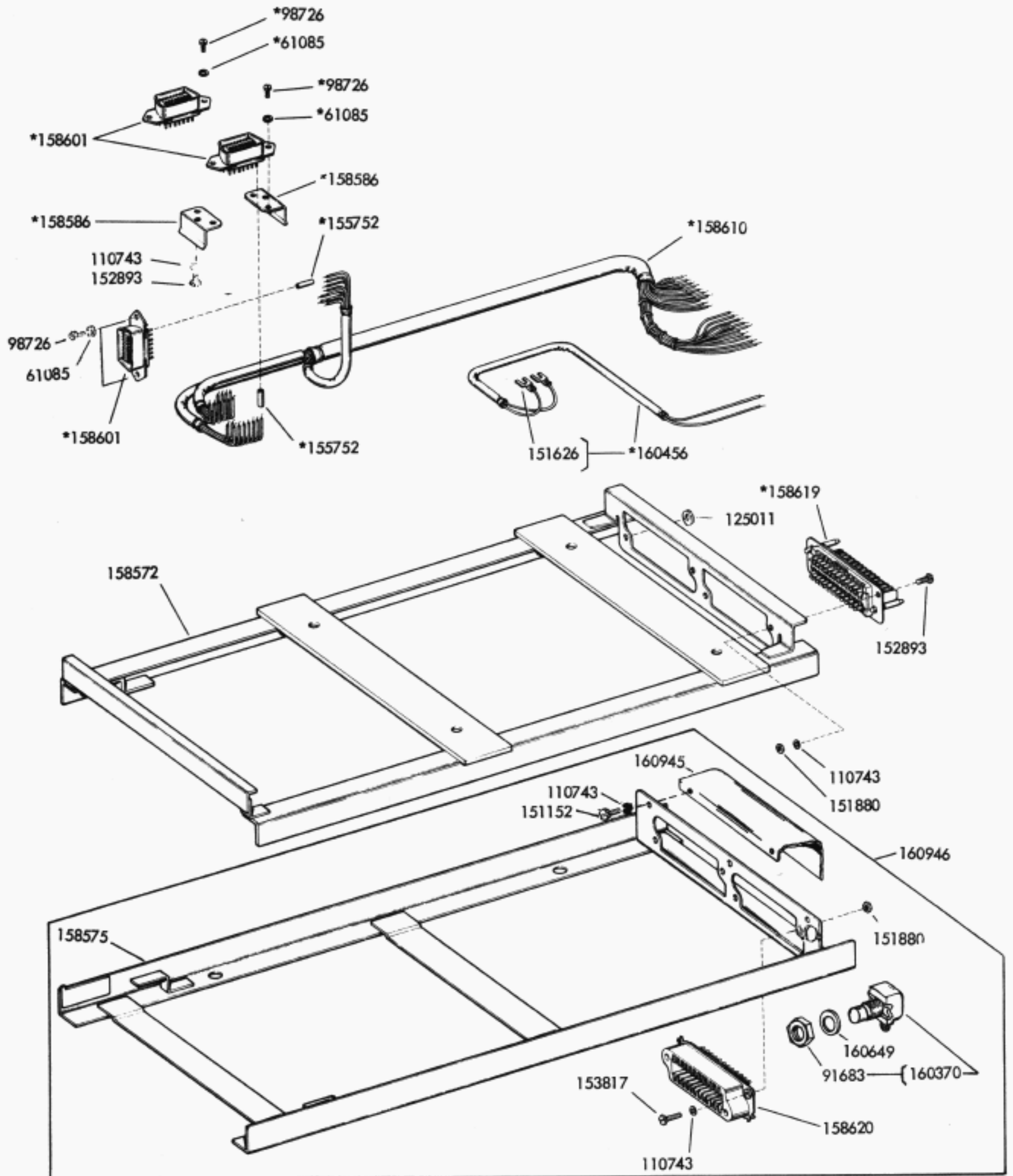


FIGURE 1-1. MOUNTING BASE



* PART OF 158500

FIGURE 1-2. BASE, SUB-BASE AND CABLE ASSEMBLY

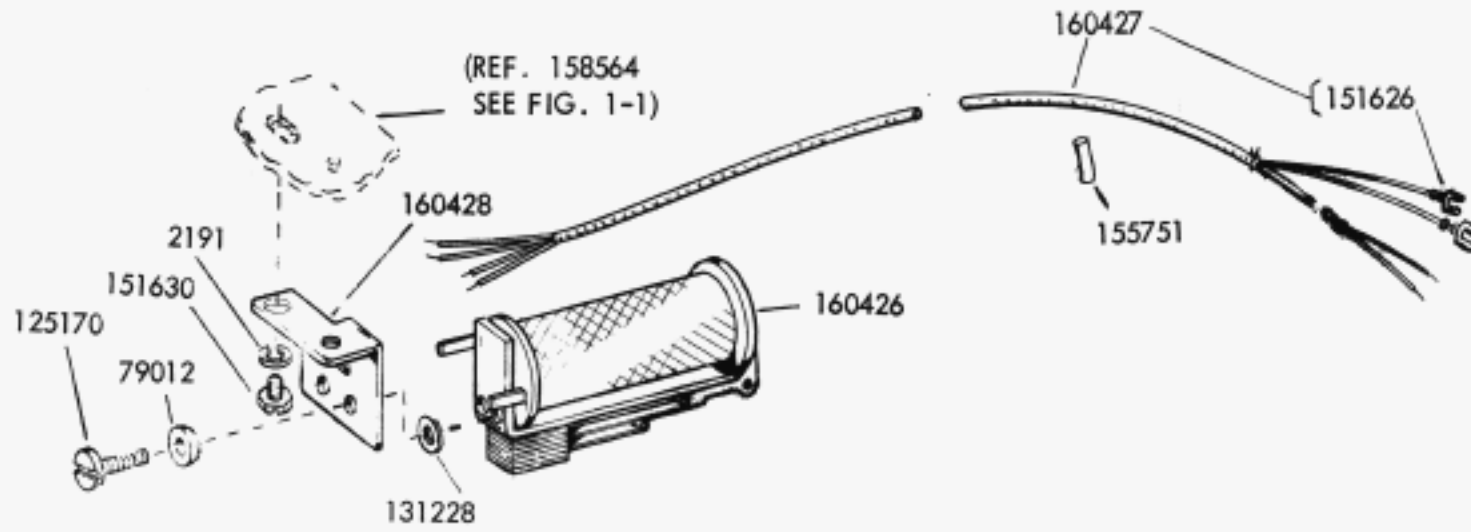
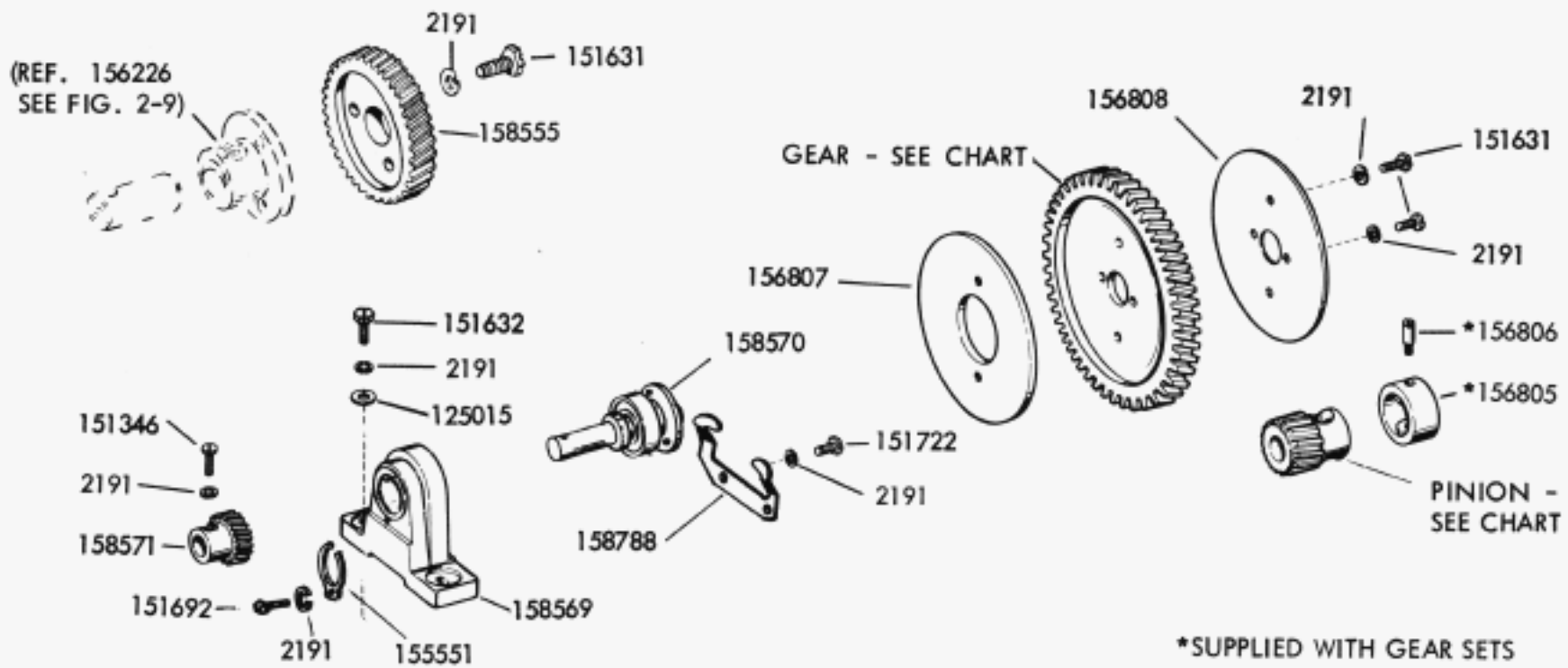


FIGURE 1-3. MOTOR CONTROL RELAY



GEAR CHART						
Set Numbers	158606	161290	156658	156728	156659	161358
Unit Code	7.00	7.00	7.42	7.42	7.42	7.42
OPM	390	635	368	460	600	404
WPM	65	106	60	75	100	67
Gear	158594	161288	156626	156726	156628	161351
Pinion	158595	161287	156627	156725	156629	161352

FIGURE 1-4. INTERMEDIATE GEAR MECHANISM AND GEAR SETS

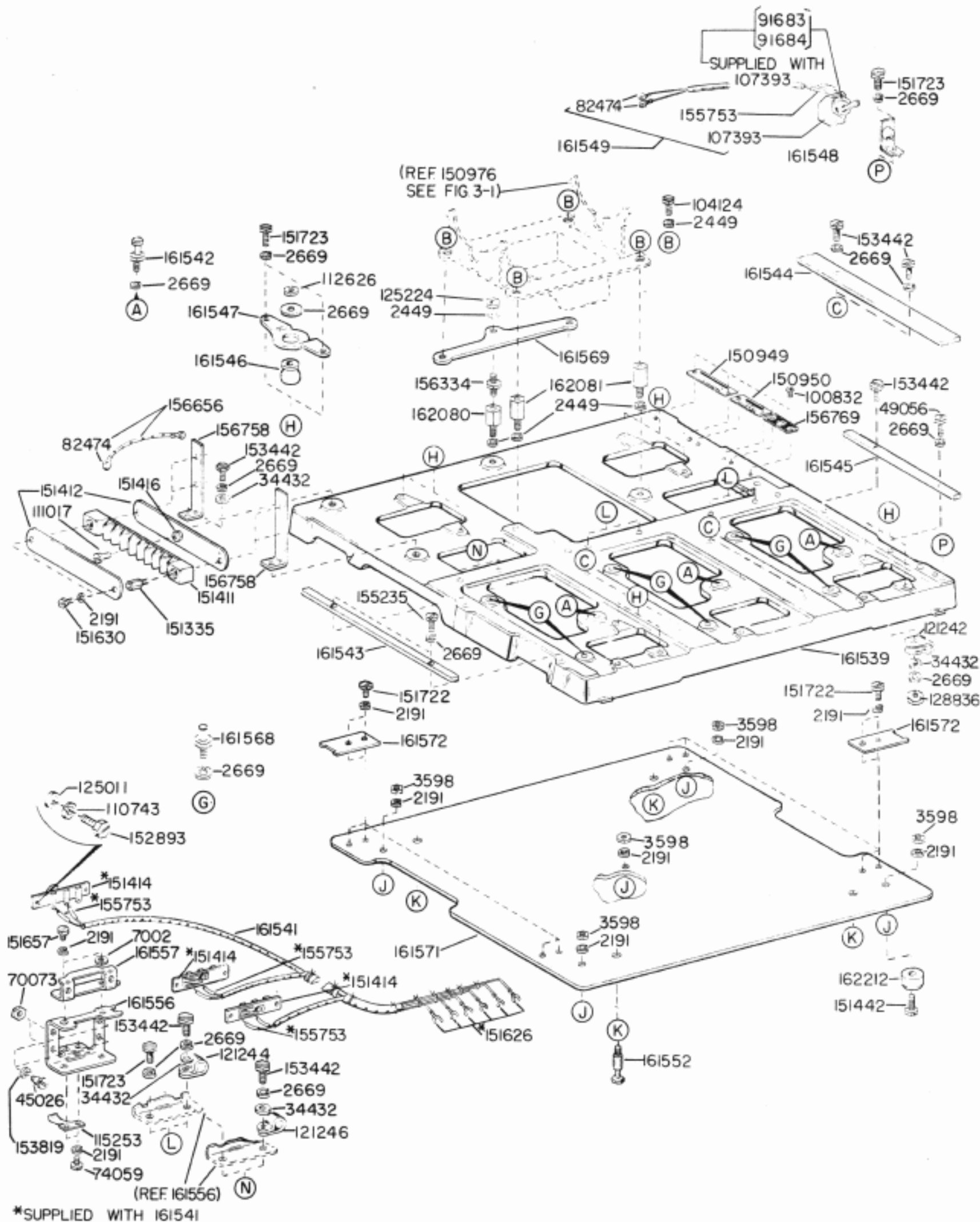


FIGURE I-5. BASE-MULTIPLE MOUNTED UNITS

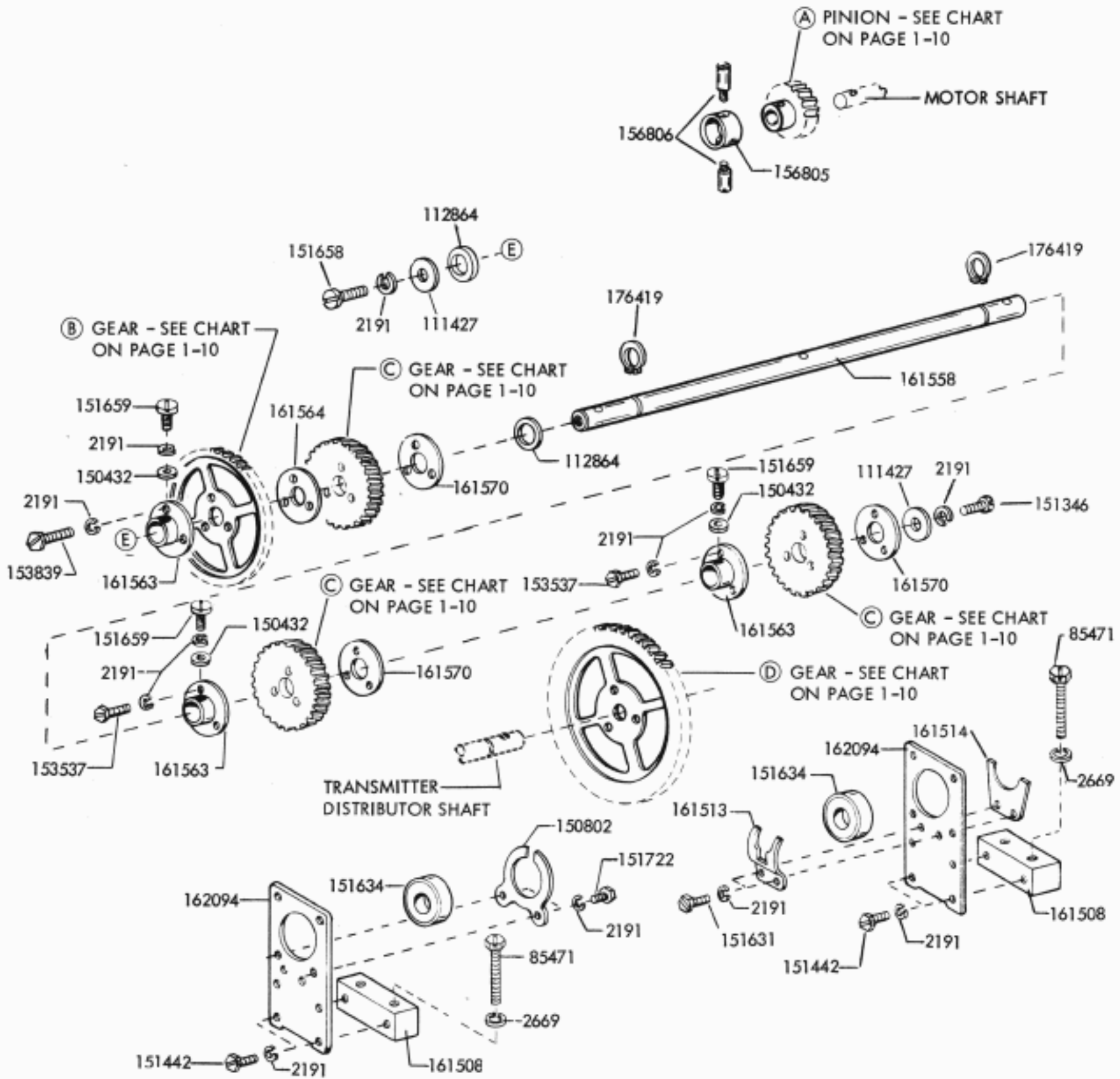


FIGURE 1-6. DRIVING SHAFT MECHANISM - MULTIPLE MOUNTED UNITS

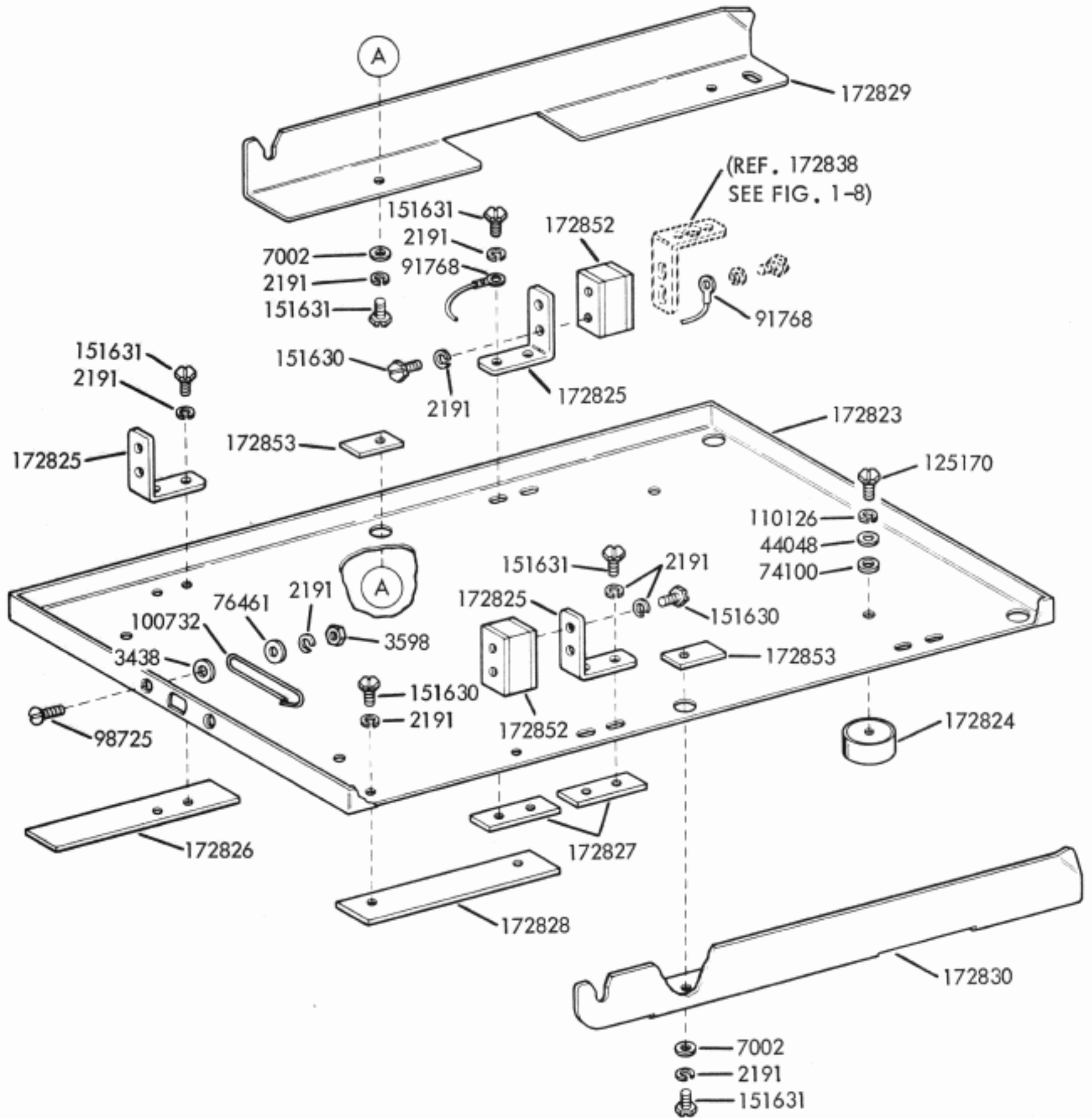


FIGURE 1-7. LOWER BASE ASSEMBLY

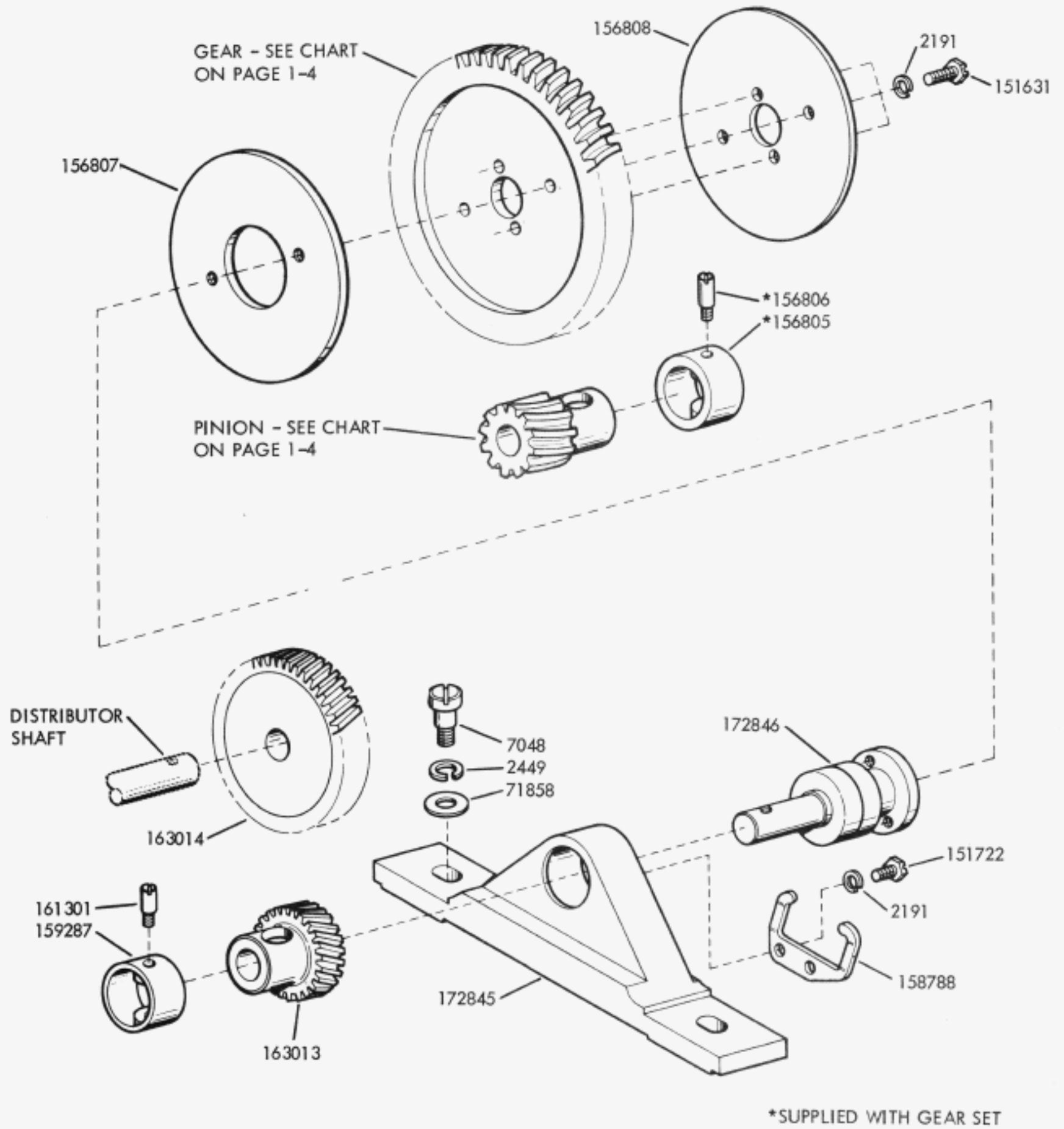


FIGURE 1-9. INTERMEDIATE BEARING HOUSING ASSEMBLY

GEAR CHART FOR MULTIPLE MOUNTED UNITS OPERATING AT A COMMON SPEED									
Unit Code		7.00			7.42				
Baud		45.5	50	75	45.5	56.9	74.2	50	
OPM - WPM		390 - 65	428 - 71	643 - 107	368 - 60	460 - 75	600 - 100	404 - 67	
Motor Gear Set:		173592:	179212:	173589:	162035:	162038:	162041:	176155	
(A) Pinion		173594-39T	179213-40T	173591-45T	162036-27T	162039-24T	162042-30T	176157 - 33T	
(B) Gear		173593-180T	179214-168T	173590-126T	162037-132T	162040-94T	162043-90T	176156 - 147T	
Associated Gears:									
(C) Cross - Shaft Gear		162033-48T	162033-48T	162033-48T	162033-48T	162033-48T	162033-48T	162033 - 48T	
(D) TD Gear		162034-96T	162034-96T	162034-96T	162034-96T	162034-96T	162034-96T	162034 - 96T	

GEAR CHART FOR MULTIPLE MOUNTED UNITS OPERATING AT INDEPENDENT SPEEDS									
Unit Code		7.00			7.42		7.50		
Baud		45.5	74.2	45.5	56.9	50	45.5	50	
OPM - WPM		390 - 65	636 - 106	368 - 60	460 - 75	404 - 67	364 - 65	400 - 66	
Motor Gear Set:		172776:	172776:	172776:	172776:	172776:	172776:	172776:	
(A) Pinion		172778-26T	172778-26T	172778-26T	172778-26T	172778-26T	172778-26T	172778-26T	
(B) Gear		172777-104T	172777-104T	172777-104T	172777-104T	172777-104T	172777-104T	172777-104T	
Gear Set:									
(C) Cross - Shaft Gear		178369:	178366:	172767:	172770:	174487:	178821:	178824:	
(D) TD Gear		179060-52T	178367-36T	172768-36T	172771-48T	174488-44T	178819-40T	178822-40T	
		179061-120T	178368-116T	172769-88T	172772-94T	174489-98T	178820-99T	178823-90T	

FIGURE 1-10. GEAR CHART FOR MULTIPLE MOUNTED UNITS (COMMON AND INDEPENDENT SPEEDS)

NUMERICAL INDEX - SECTION 1

Part Number	Description and Part Number	Part Number	Description and Part Number	Part Number	Description and Part Number
2191	Washer, Lock 1-2, 1-4, 1-5, 1-6, 1-7, 1-8, 1-9	128836	Nut (10-32 Hex) 1-5	156805	Retainer, Pinion 1-4, 1-6, 1-9
2254	Washer, Flat 1-8	129919	Fuse (4 Amp) 1-8	156806	Post 1-4, 1-6, 1-9
2449	Washer, Lock 1-5, 1-8, 1-9	131228	Washer, Insulating 1-4	156807	Disk 1-4, 1-9
2669	Washer, Lock 1-2, 1-5, 1-6, 1-8	135666	Spacer 1-6	156808	Disk 1-4, 1-9
3438	Washer, Flat 1-7	150432	Washer, Flat 1-6	157215	Mount, Vibration 1-2
3598	Nut (6-40 Hex) 1-5, 1-7, 1-8	150802	Clamp, Bearing 1-6	158500	Cable Assembly 1-3
7002	Washer, Flat 1-2, 1-5, 1-7, 1-8, 1-9	150949	Plate, Identification 1-5	158555	Gear, Driving (40T) 1-4
7048	Screw, Shoulder (10-32) 1-9	150950	Plate, Identification 1-5	158562	Rail, Left Side 1-2
34432	Washer, Flat 1-5	151113	Strap, Motor Mounting 1-2	158563	Rail, Right Side 1-2
41668	Screw, Shoulder (3-48) 1-8	151152	Screw (4-40x3/16 Hex) 1-3	158564	Plate, Center Mounting 1-2
44048	Washer, Flat 1-7	151335	Stud 1-5	158565	Plate, Rear Mounting 1-2
45026	Screw, Shoulder (3-48) 1-5	151346	Screw (6-40x3/8 Fil) 1-4	158567	Plate Mounting 1-2
49056	Screw (10-32x1 Hex) 1-5	151411	Block, Terminal 1-2, 1-5, 1-8	158568	Bracket, Switch 1-2
61085	Washer, Lock 1-3	151412	Insulator, Terminal Block 1-2, 1-5, 1-8	158569	Housing, Gear 1-4
70073	Nut (3-48 Hex) 1-5, 1-8	151414	Switch, Motor 1-5	158570	Shaft 1-4
71266	Washer, Flat 1-2	151416	Nut (6-40 Hex) 1-2, 1-5, 1-8	158571	Pinion (20T) 1-4
71858	Washer, Flat 1-9	151442	Screw (6-40x1/2 Hex) 1-5, 1-6	158572	Base 1-3
74059	Screw (6-40x7/32 Hex) 1-5	151606	Screw (10-32x1/4 Hex) 1-2	158573	Stud, Base Mounting 1-2
74100	Washer, Leather 1-7	151610	Washer, Flat 1-8	158575	Sub-Base 1-3
74805	Screw (10-32 x 3/4 Hex) 1-2, 1-8	151626	Terminal 1-2, 1-3, 1-4, 1-5, 1-8	158579	Plate, Terminal Block Mounting 1-2
74807	Nut (10-32 Hex) 1-2	151630	Screw (6-40x1/4 Hex) 1-2, 1-4, 1-5, 1-7, 1-8	158586	Bracket, Connector Mounting 1-3
75750	Washer, Insulating 1-8	151631	Screw (6-40 x5/16 Hex) 1-2, 1-4, 1-6, 1-7, 1-8, 1-9	158589	Clamp, Cable 1-2
76471	Washer, Flat 1-7	151632	Screw (6-40x3/8 Hex) 1-2, 1-4, 1-8	158592	Bracket, Snap Panel Guide 1-2
77902	Screw (6-40x2-3/8 Rd) 1-8	151634	Bearing, Ball 1-6	158593	Guard, Gear 1-2
79012	Insulator 1-4	151657	Screw (6-40x1/4 Fil) 1-5	158594	Gear (60T) 1-4
82474	Terminal 1-2, 1-5	151658	Screw (6-40 x 5/16 Fil) 1-6	158595	Pinion (13T) 1-4
84579	Washer, Flat 1-6	151659	Screw (6-40x1/2 Fil) 1-6, 1-8	158601	Connector, Plug 1-3
85471	Screw (10-32x1 Hex) 1-6	151678	Screw W/Lock Washer 1-2	158606	Gear Set (65 WPM) 1-4
91231	Terminal 1-8	151692	Screw (6-40x3/16 Fil) 1-4, 1-8	158610	Cable, Assembly 1-3
91683	Nut (15/32-32 Hex) 1-2, 1-3, 1-5	151693	Screw (6-40x9/16 Fil) 1-2, 1-9	158619	Connector, Plug 1-3
91684	Nut (15/32-32 Ring) 1-2, 1-5	151722	Screw (6-40x3/16 Hex) 1-4, 1-5, 1-6, 1-9	158620	Connector, Receptacle 1-3
91768	Strap W/Terminal, Ground 1-2, 1-7	151723	Screw (10-32x3/8 Hex) 1-2, 1-5, 1-6, 1-8	158788	Clamp, Bearing 1-4, 1-9
95320	Switch 1-2	151827	Strap, Terminal 1-8	159287	Isolator 1-9
98725	Screw (6-40x3/8 Flat) 1-7	151880	Nut (4-40 Hex) 1-3	160370	Switch, Push 1-3
98726	Screw (3-48x1/4 Fil) 1-3, 1-8	152441	Washer, Flat 1-8	160386	Resistor (1000 Ohms) 1-8
100732	Spring 1-7	152893	Screw (4-40x1/4 Hex) 1-3, 1-5	160426	Relay, Motor Control 1-4
100832	Screw, Drive 1-5	153441	Screw (10-32x7/16 Hex) 1-8	160427	Cable W/Terminals 1-4
101633	Washer, Flat 1-2	153442	Screw (10-32x1/2 Hex) 1-5	160428	Bracket 1-4
101783	Washer, Flat 1-2	153537	Screw (6-40x9/32 Hex) 1-6	160456	Cable Assembly 1-3
104124	Screw (1/4-32x11/32 Hex) 1-5	153817	Screw (4-40x3/8 Hex) 1-3	160649	Washer, Flat 1-3
105279	Switch, Toggle 1-8	153819	Washer, Lock 1-5, 1-8	160945	Guard 1-3
106047	Screw (1/4-32x1/2 Hex) 1-8	153839	Screw (6-40x5/8 Hex) 1-6	160946	Base Assembly, Sub 1-3
107393	Switch, Toggle 1-5	155235	Screw (10-32x1/2 Fil) 1-5	161287	Pinion (24T) 1-4
110126	Washer, Lock 1-7	155551	Ring, Retaining 1-4	161288	Gear (68T) 1-4
110743	Washer, Lock 1-3, 1-8	155751	Sleeve, Insulating 1-4	161290	Gear Set (106 WPM) 1-4
111017	Screw (6-40x5/16 Fil) 1-2, 1-5, 1-8	155752	Sleeve, Insulating 1-3	161301	Post 1-9
111409	Screw (4-40x7/32 Fil) 1-8	155753	Sleeve, Insulating 1-5	161351	Gear (49T) 1-4
111427	Washer, Flat 1-6	155755	Sleeve, Insulating 1-8	161352	Pinion (11T) 1-4
112626	Nut (10-32 Hex) 1-2, 1-5	155954	Switch 1-8	161358	Gear Set 1-4
112864	Washer, Flat 1-6	156334	Stud 1-5	161508	Bar, Mounting Plate 1-6
114466	Connector, Plug 1-8	156626	Gear (88T) 1-4	161512	Retainer 1-6
114467	Connector, Receptacle 1-8	156627	Pinion (18T) 1-4	161513	Clamp 1-6
115253	Spring 1-5	156628	Gear (72T) 1-4	161514	Plate 1-6
116783	Holder, Fuse 1-8	156629	Pinion (24T) 1-4	161539	Base 1-5
121242	Clamp, Cable (1/8" I.D.) 1-5	156656	Jumper W/Terminal 1-5	161541	Cable Assembly 1-5
121244	Clamp, Cable (1/4" I.D.) 1-5	156658	Gear Set (60 WPM) 1-4	161542	Post 1-5
121246	Clamp, Cable (3/8" I.D.) 1-5	156659	Gear Set (100 WPM) 1-4	161543	Bar (5/16x7-1/4) 1-5
121575	Screw (10-32x5/16 Hex) 1-6, 1-8	156725	Pinion (24T) 1-4	161544	Bar (1-1/8x7-1/4) 1-5
124396	Switch and Cable Assembly 1-2	156726	Gear (94T) 1-4	161545	Bar (1/2x5-7/16) 1-5
125011	Washer, Flat 1-3, 1-5	156728	Gear Set (75 WPM) 1-4	161546	Mount, Vibration 1-5
125015	Washer, Flat 1-4	156758	Bracket 1-5	161547	Plate 1-5
125170	Screw (8-32x5/16 Fil) 1-4, 1-7	156769	Plate, Identification 1-5	161548	Bracket 1-5
125244	Nut (1/4-32Hex) 1-5			161549	Cable Assembly 1-5

NUMERICAL INDEX - SECTION 1 (Continued)

Part Number	Description and Part Number	Part Number	Description and Part Number	Part Number	Description and Part Number
161570	Plate, Nut 1-6	172771	Gear, Cross-Shaft (48T) 1-10	172847	Bracket, Switch 1-9
161571	Plate, Oil 1-5	172772	Gear, TD (94T) 1-10	172848	Insulator 1-8
161572	Plate, Locating 1-5	172773	Gear Set 1-10	172849	Actuator, Switch 1-8
161595	Connector, Receptacle 1-8	172774	Gear, Cross-Shaft (52T) 1-10	172850	Bracket 1-8
162033	Gear (48T) 1-6	127775	Gear, TD (78T) 1-10	172852	Isolator, Rubber 1-7
162035	Gear Set 1-6	172776	Gear Set 1-10	172853	Plate, Nut 1-7
162036	Pinion (27T) 1-6	172777	Gear (104T) 1-10	172869	Plate, Nut 1-8
162037	Gear (132T) 1-6	172778	Pinion (26T) 1-10	173589	Gear Set 1-10
162038	Gear Set 1-6	172823	Base W/Panel 1-7	173590	Gear (126T) 1-10
162039	Pinion (24T) 1-6	172824	Foot, Rubber 1-7	173591	Pinion (45T) 1-10
162040	Gear (94T) 1-6	172825	Bracket 1-7	173592	Gear Set 1-10
162041	Gear Set 1-6	172826	Plate 1-7	173593	Gear (180T) 1-10
162042	Pinion (30T) 1-6	172827	Plate, Nut 1-7	173594	Pinion (39T) 1-10
162043	Gear (90T) 1-6	172828	Plate 1-7	176419	Ring, Retaining 1-6
162080	Stud 1-5	172829	Bracket, Left 1-7	178366	Gear Set 1-10
162081	Stud 1-5	172830	Bracket, Right 1-7	178367	Gear, Cross-Shaft (82T) 1-10
162094	Plate, Bearing Mounting 1-6	172832	Rail, Left 1-8	178368	Gear, TD (116T) 1-10
162212	Bumper 1-5	172834	Rail, Right 1-8	178369	Gear Set 1-10
163013	Gear (24T) 1-9	172835	Plate, Rear 1-8	178819	Gear, Cross-Shaft (40T) 1-10
163014	Gear (48T) 1-9	172836	Plate, Front 1-8	178820	Gear, TD (99T) 1-10
164116	Cable Assembly 1-8	172837	Bracket, Switch 1-8	178821	Gear Set 1-10
164117	Bracket 1-8	172838	Bracket 1-8	178822	Gear, Cross-Shaft (40T) 1-10
171554	Connector, Plug (50 Pt) 1-8	172839	Plate, Adapter 1-8	178823	Gear, TD (90T) 1-10
171555	Connector, Receptacle (50 Pt) 1-8	172840	Bracket, Connector 1-8	178824	Gear Set 1-10
172767	Gear Set 1-10	172841	Bracket 1-8	179060	Gear, Cross-Shaft (52T) 1-10
172768	Gear, Cross-Shaft (36T) 1-10	172842	Plate 1-8	179061	Gear, TD (120T) 1-10
172769	Gear, TD (88T) 1-10	172843	Post 1-8	179212	Gear Set 1-10
172770	Gear Set 1-10	172845	Bracket, Bearing 1-9	179213	Pinion (40T) 1-10
		172846	Shaft W/Bearing 1-9	179214	Gear (168T) 1-10

SECTION 2

TRANSMITTER DISTRIBUTOR UNITS

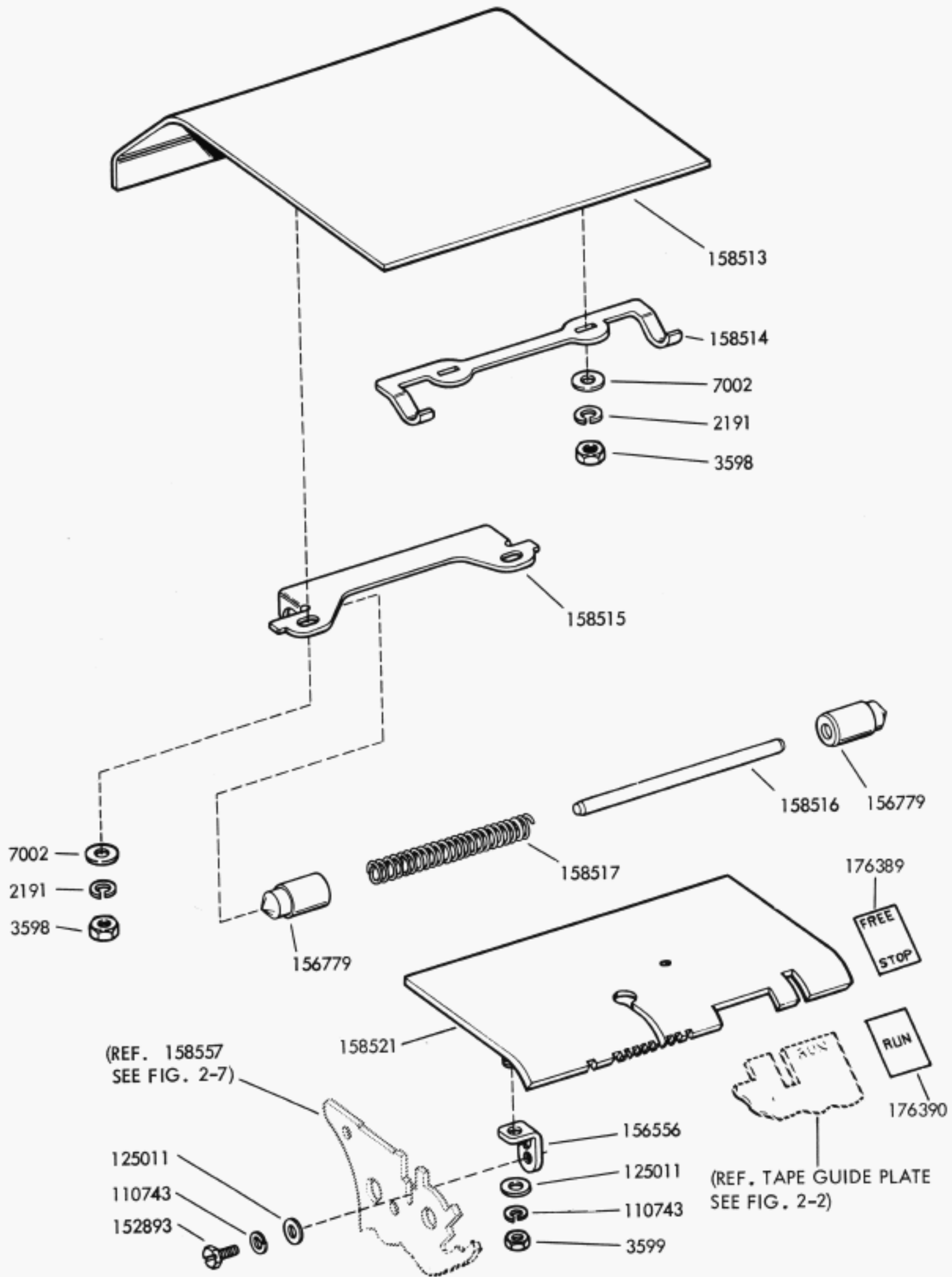


FIGURE 2-1. COVER PLATE AND TOP PLATE

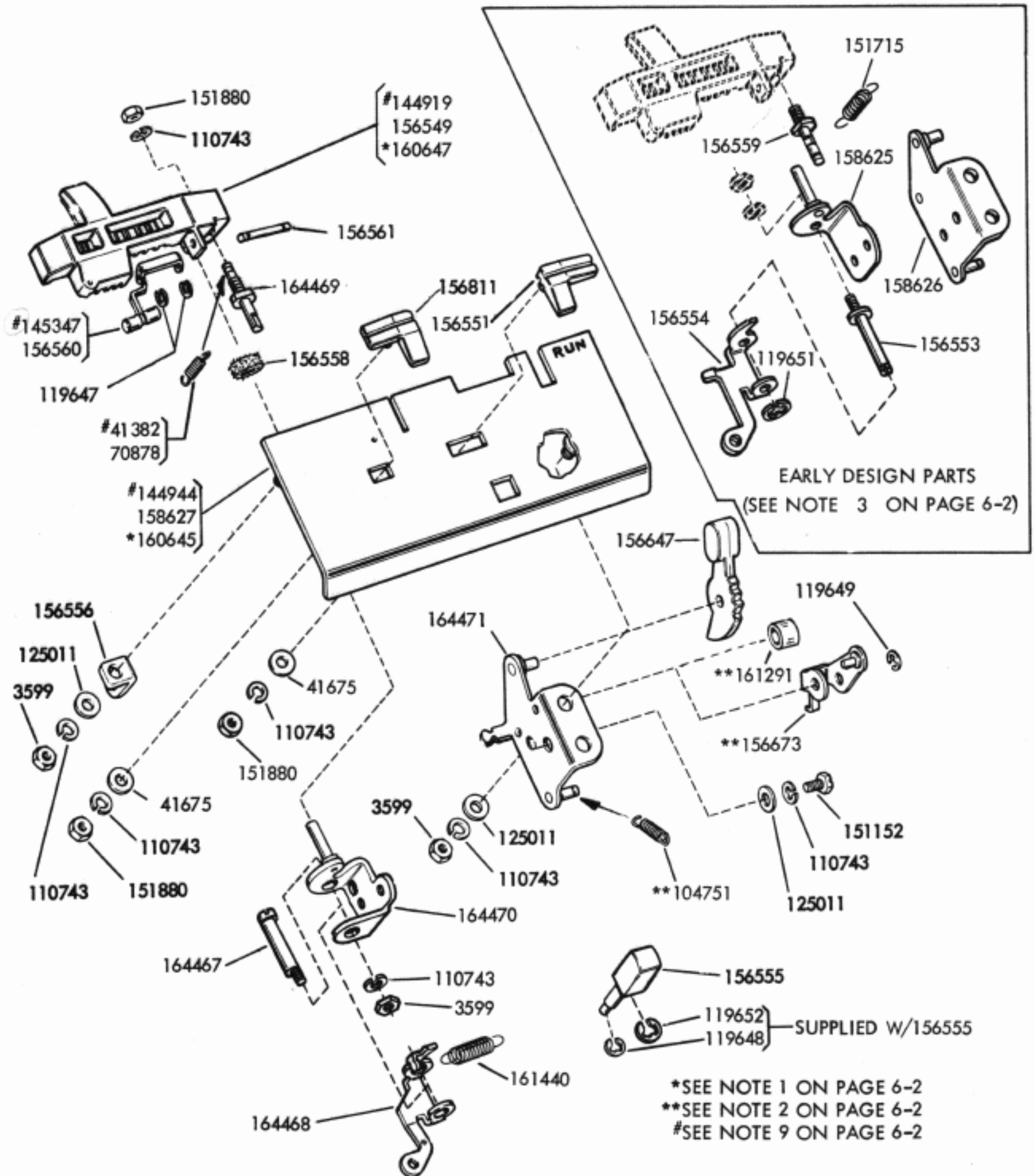
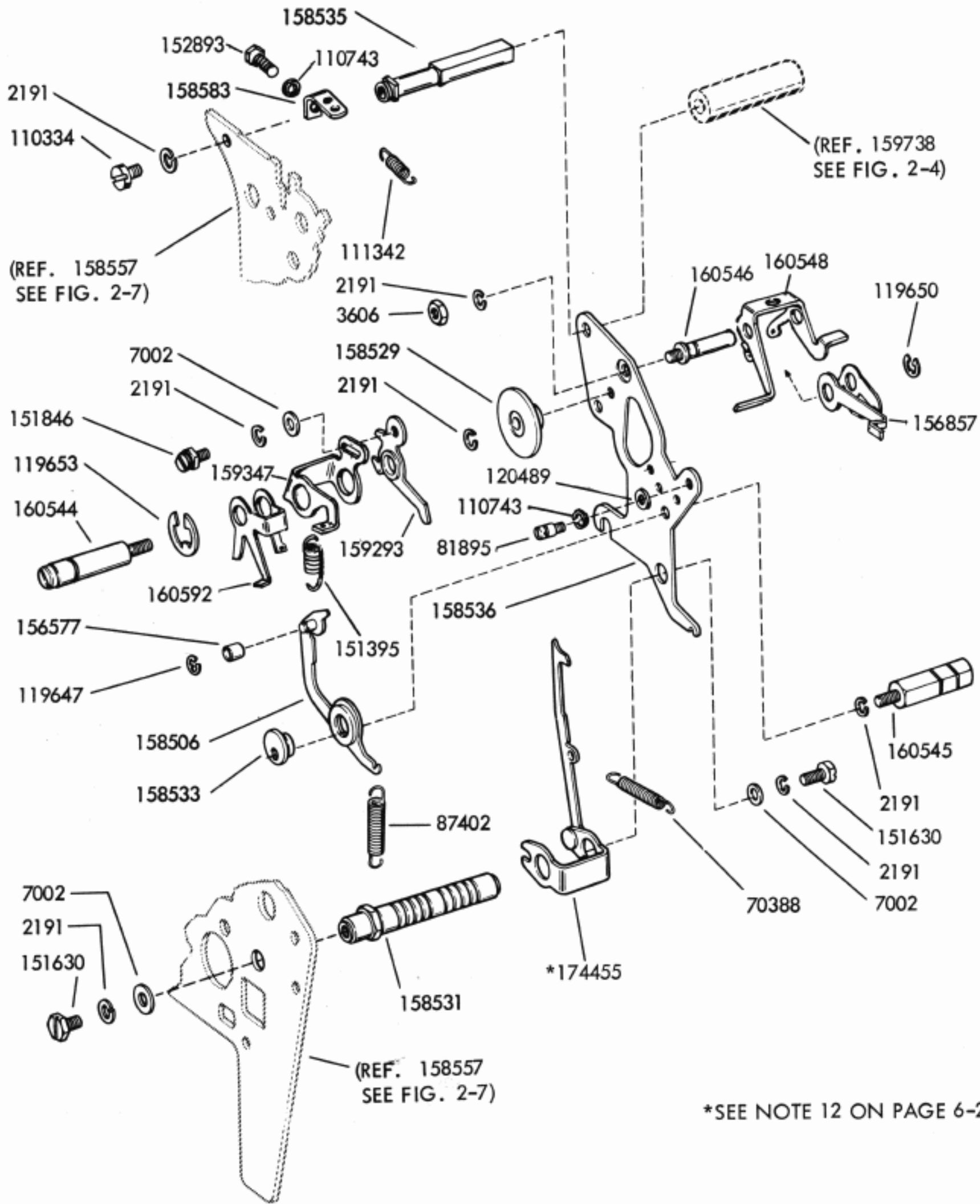


FIGURE 2-2. TAPE GUIDE PLATE



*SEE NOTE 12 ON PAGE 6-2.

FIGURE 2-3. CENTER PLATE

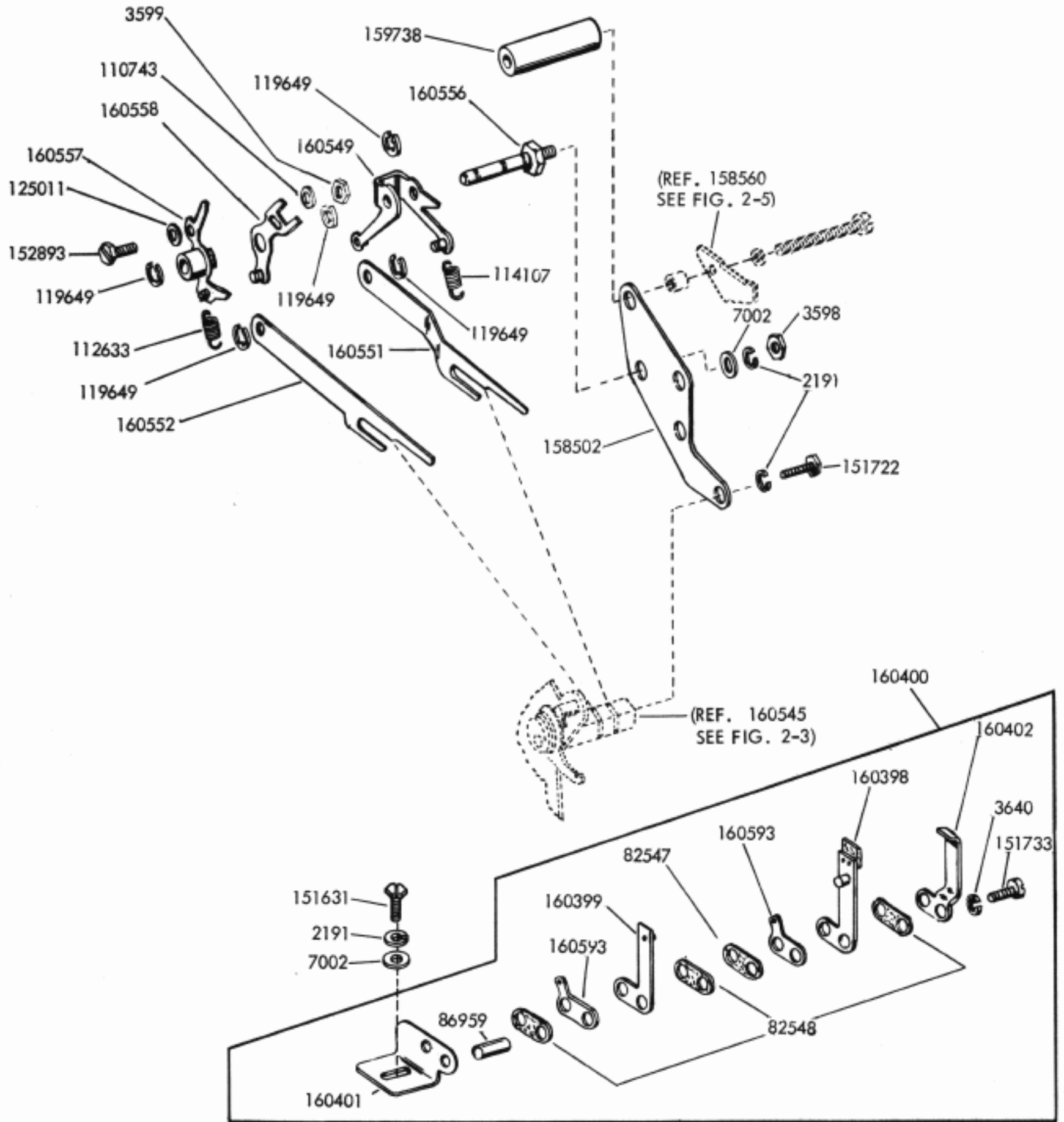


FIGURE 2-4. SWITCH PLATE

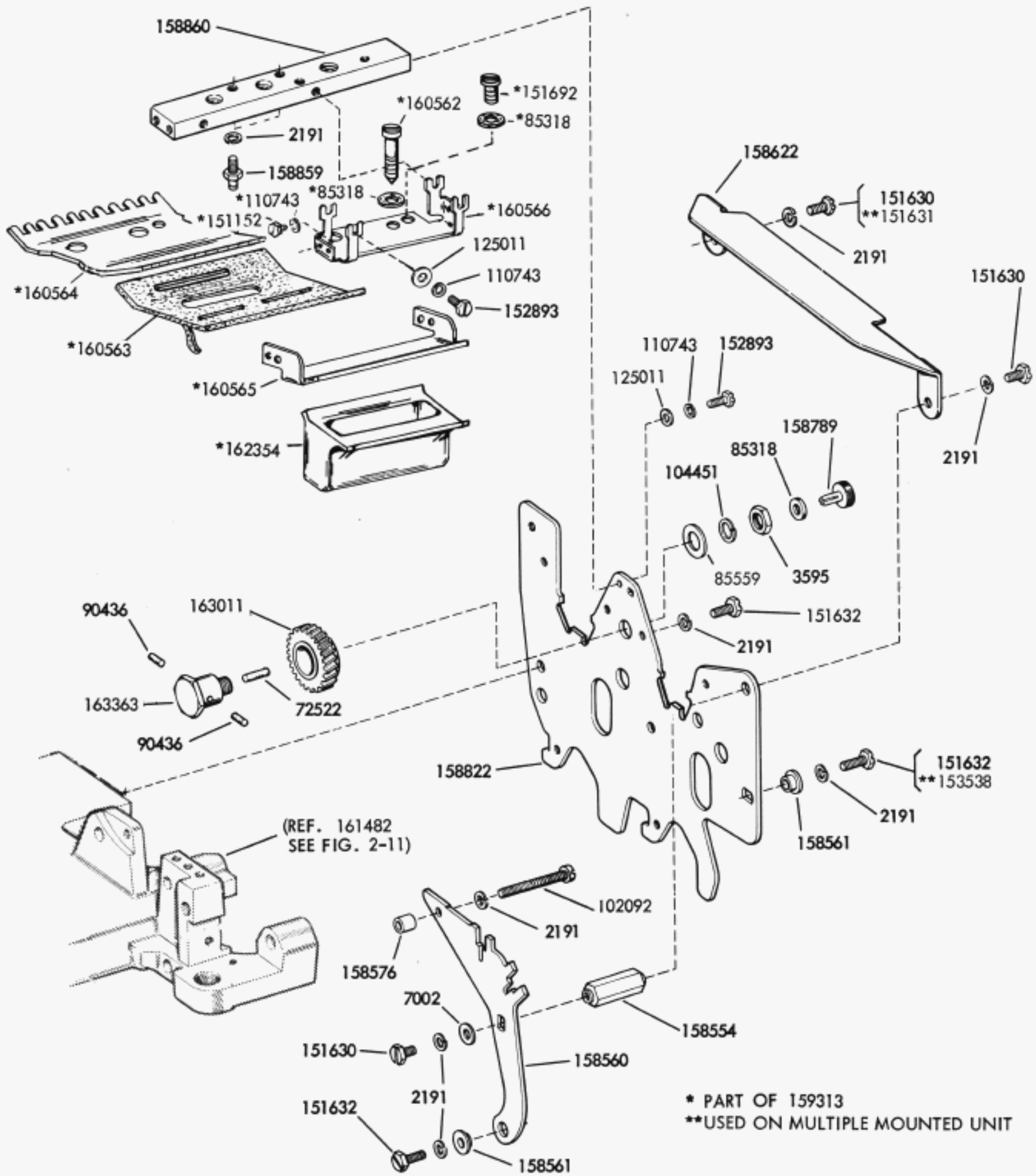


FIGURE 2-5. REAR PLATE

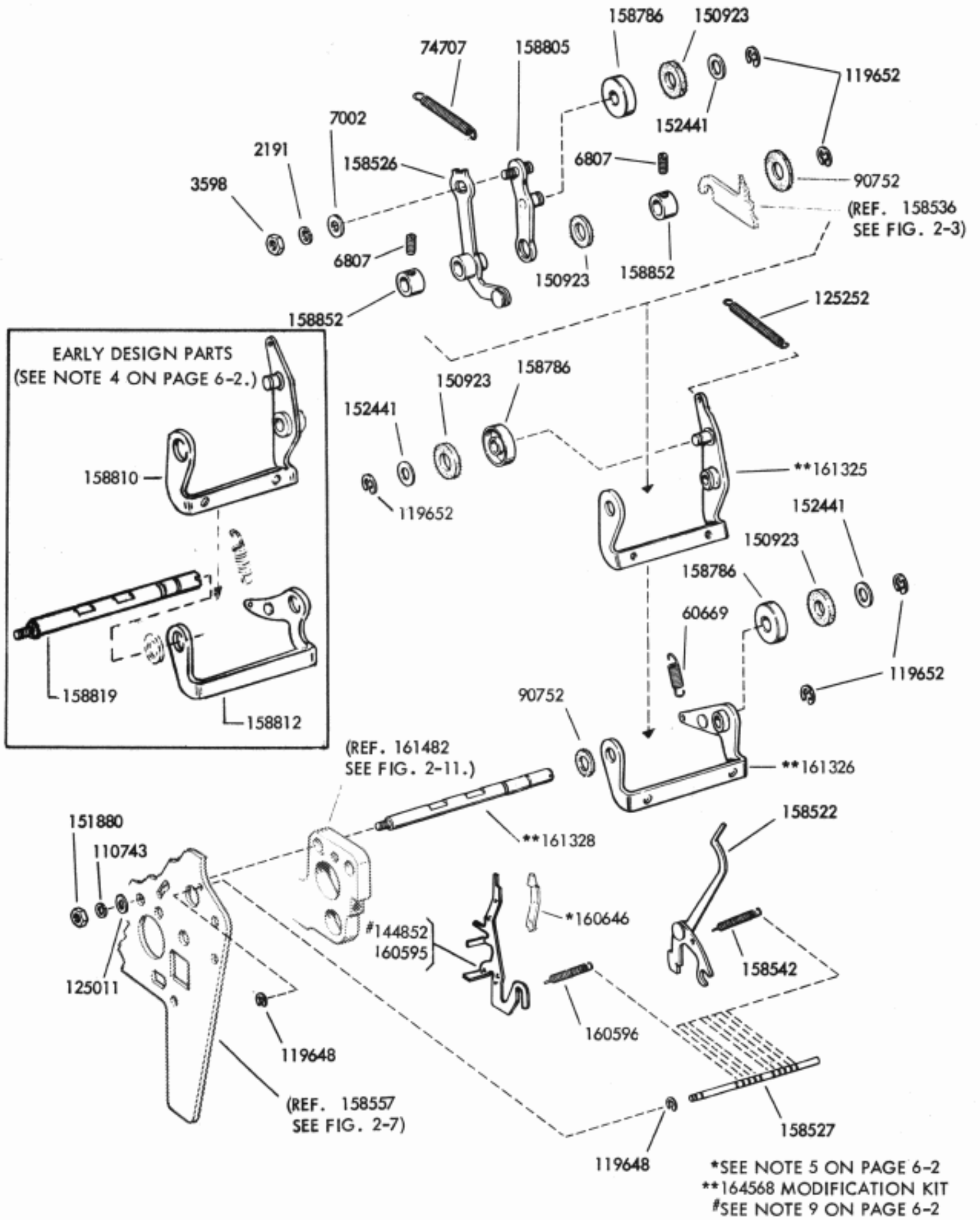


FIGURE 2-6. BAILS

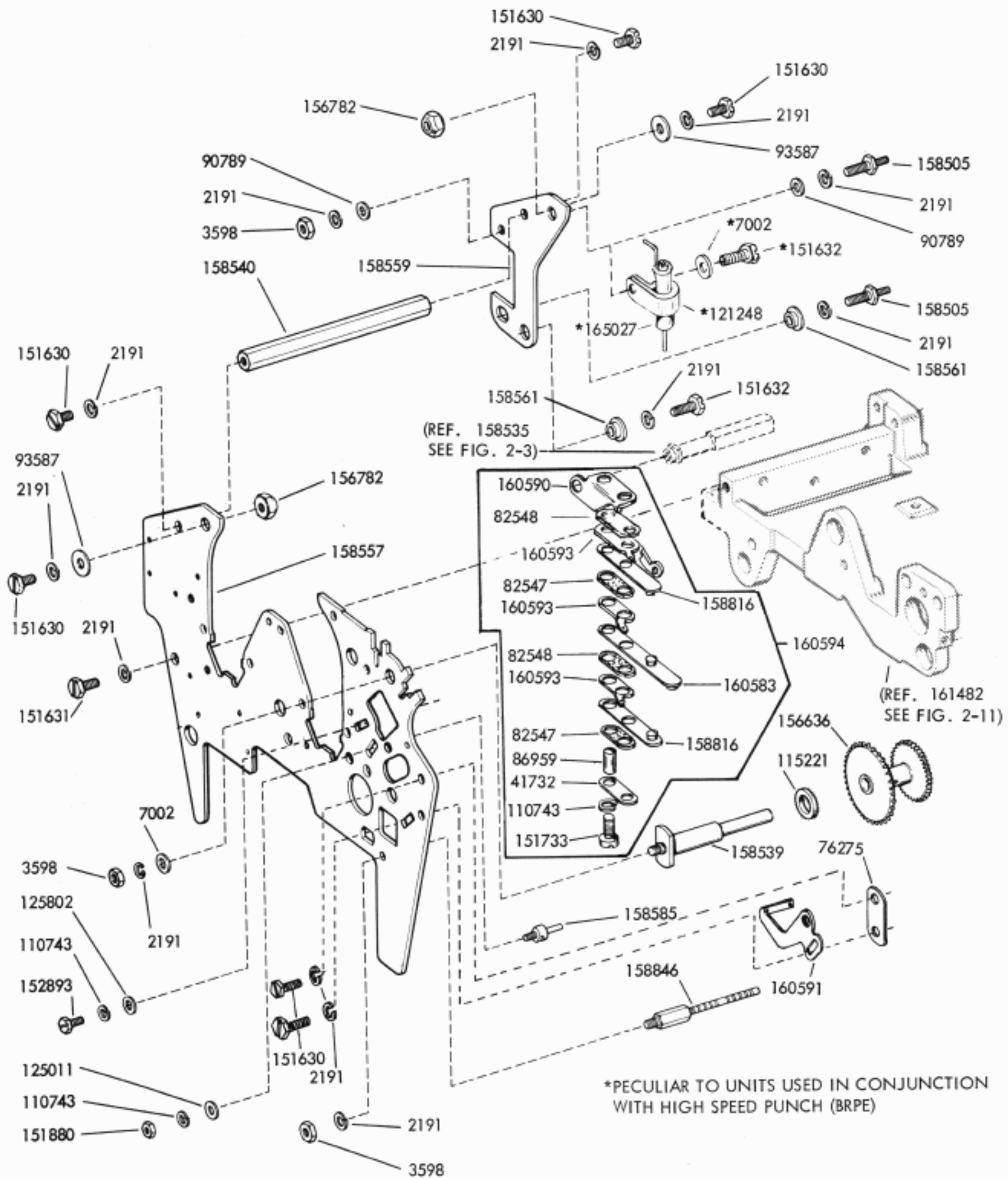


FIGURE 2-7. FRONT PLATE

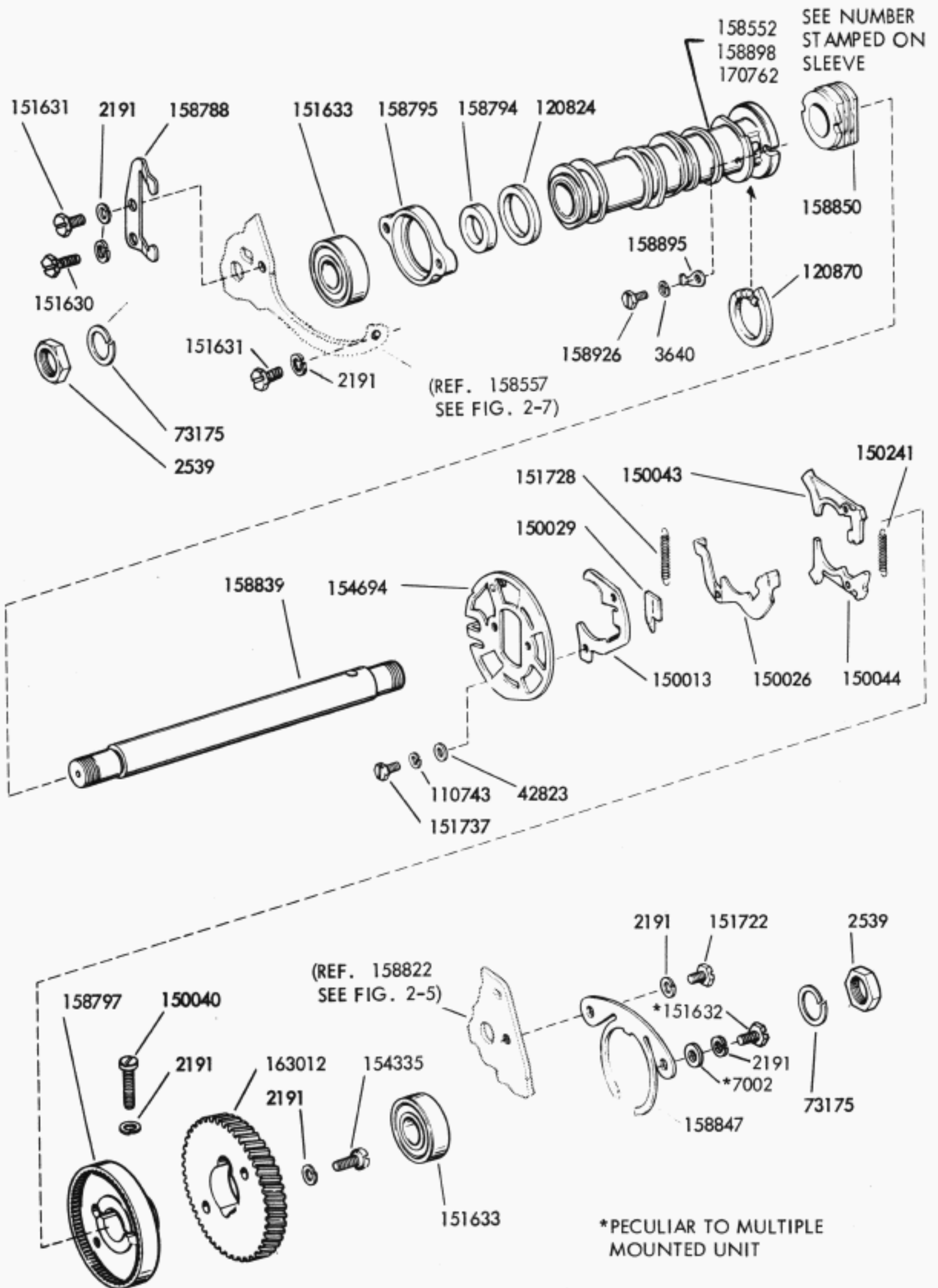


FIGURE 2-8. SENSING SHAFT

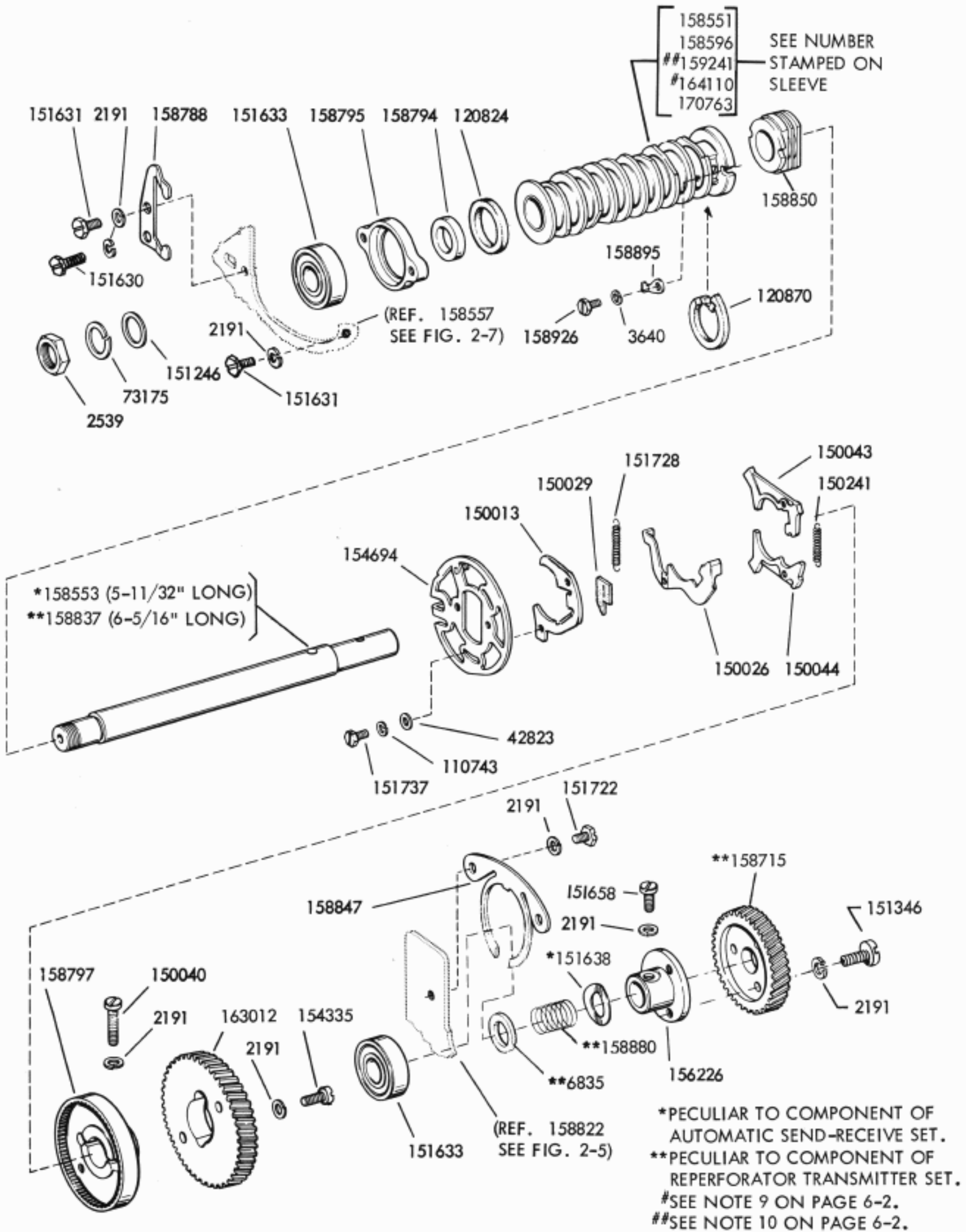


FIGURE 2-9. DISTRIBUTOR SHAFT

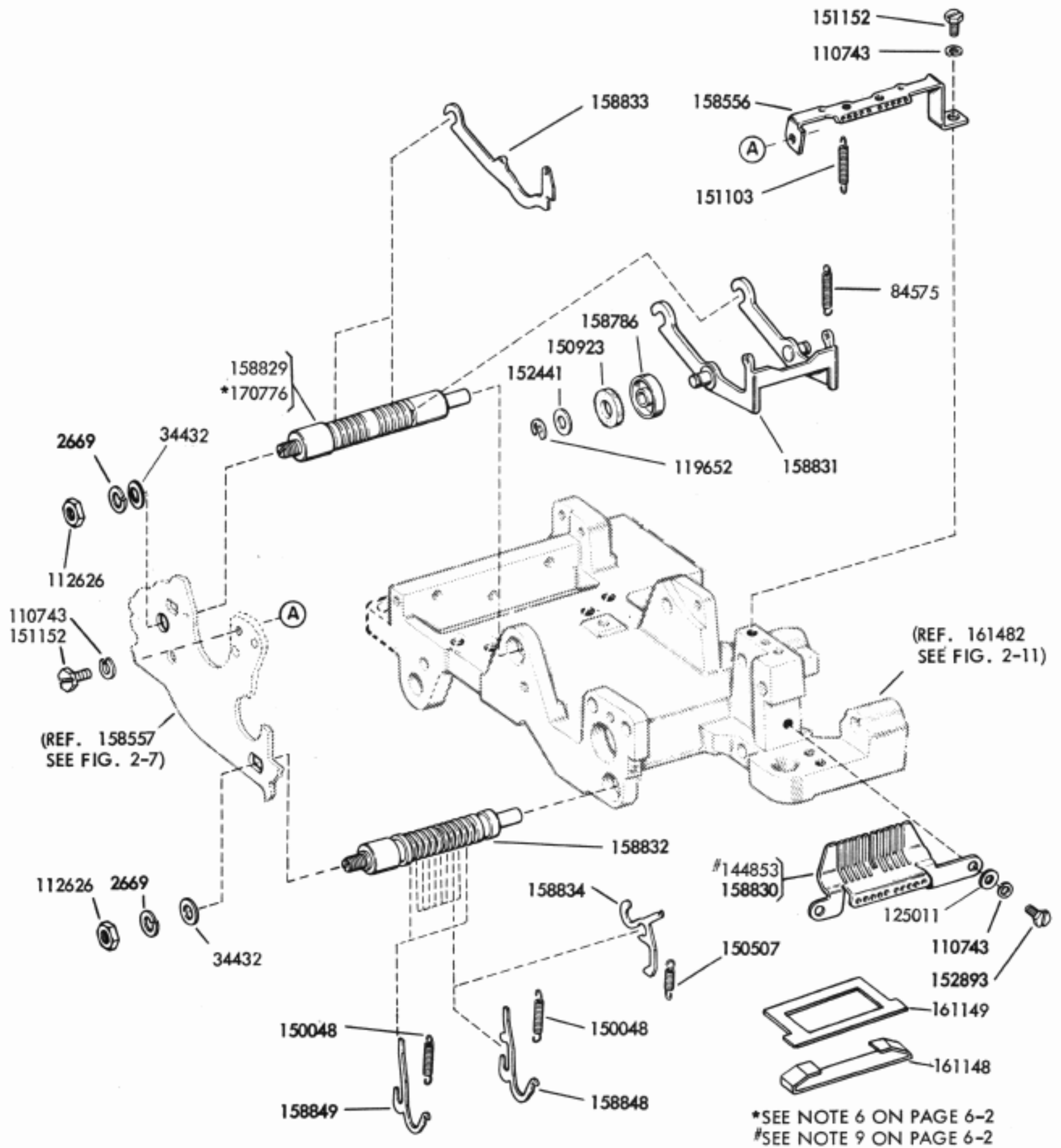
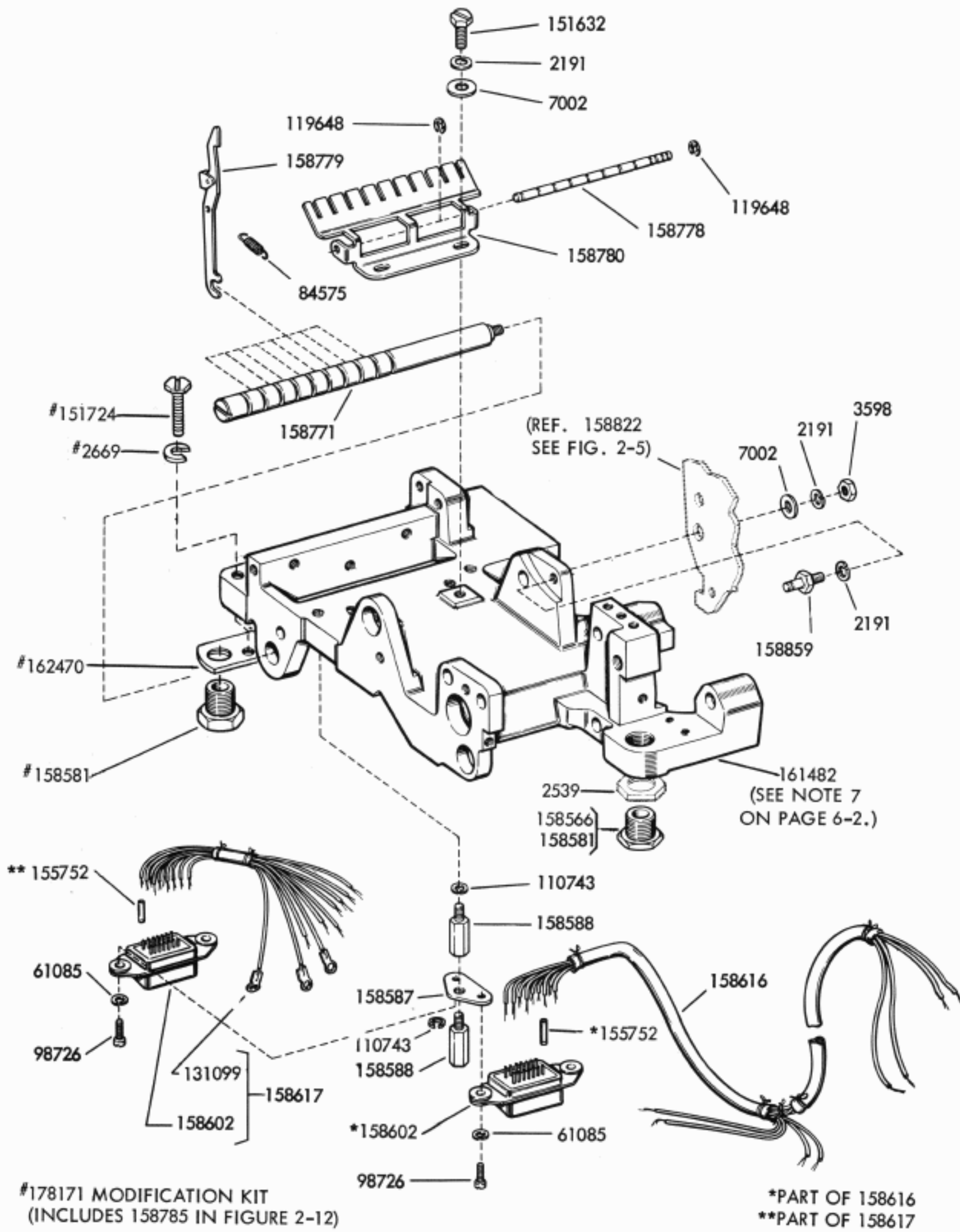


FIGURE 2-10. SENSING MECHANISM



#178171 MODIFICATION KIT
(INCLUDES 158785 IN FIGURE 2-12)

FIGURE 2-11. MAIN FRAME

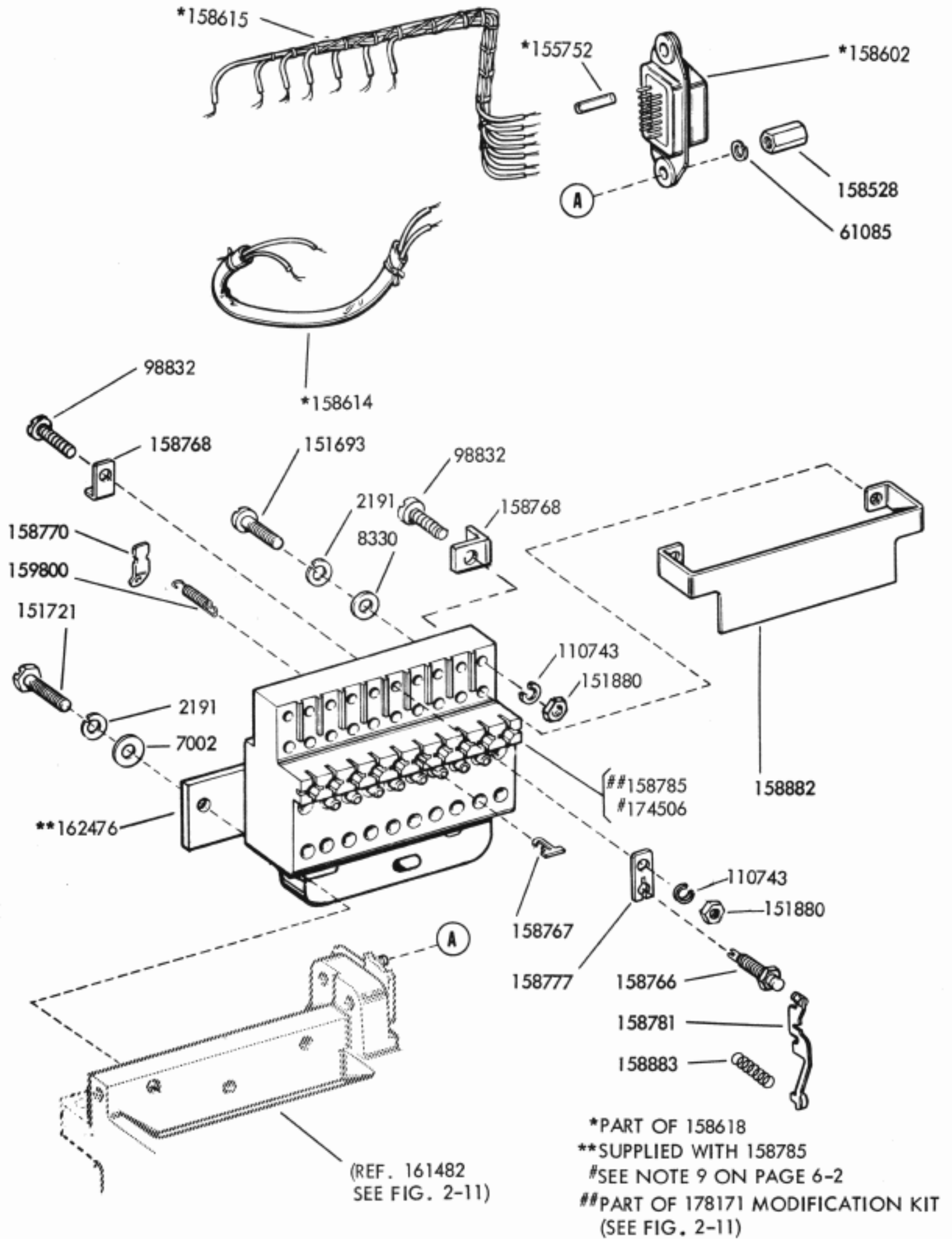


FIGURE 2-12. DISTRIBUTOR BLOCK

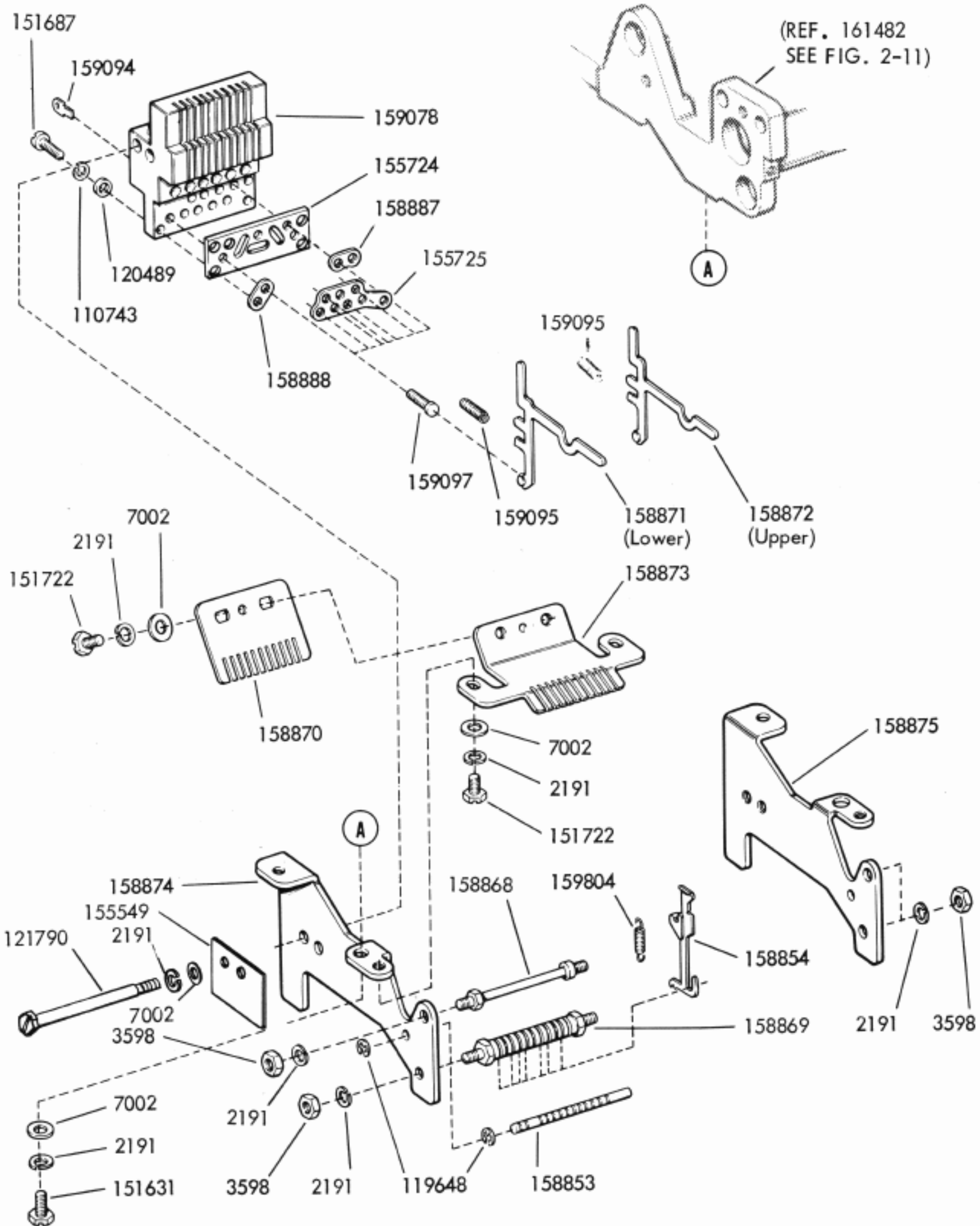


FIGURE 2-13. STORING SWITCH

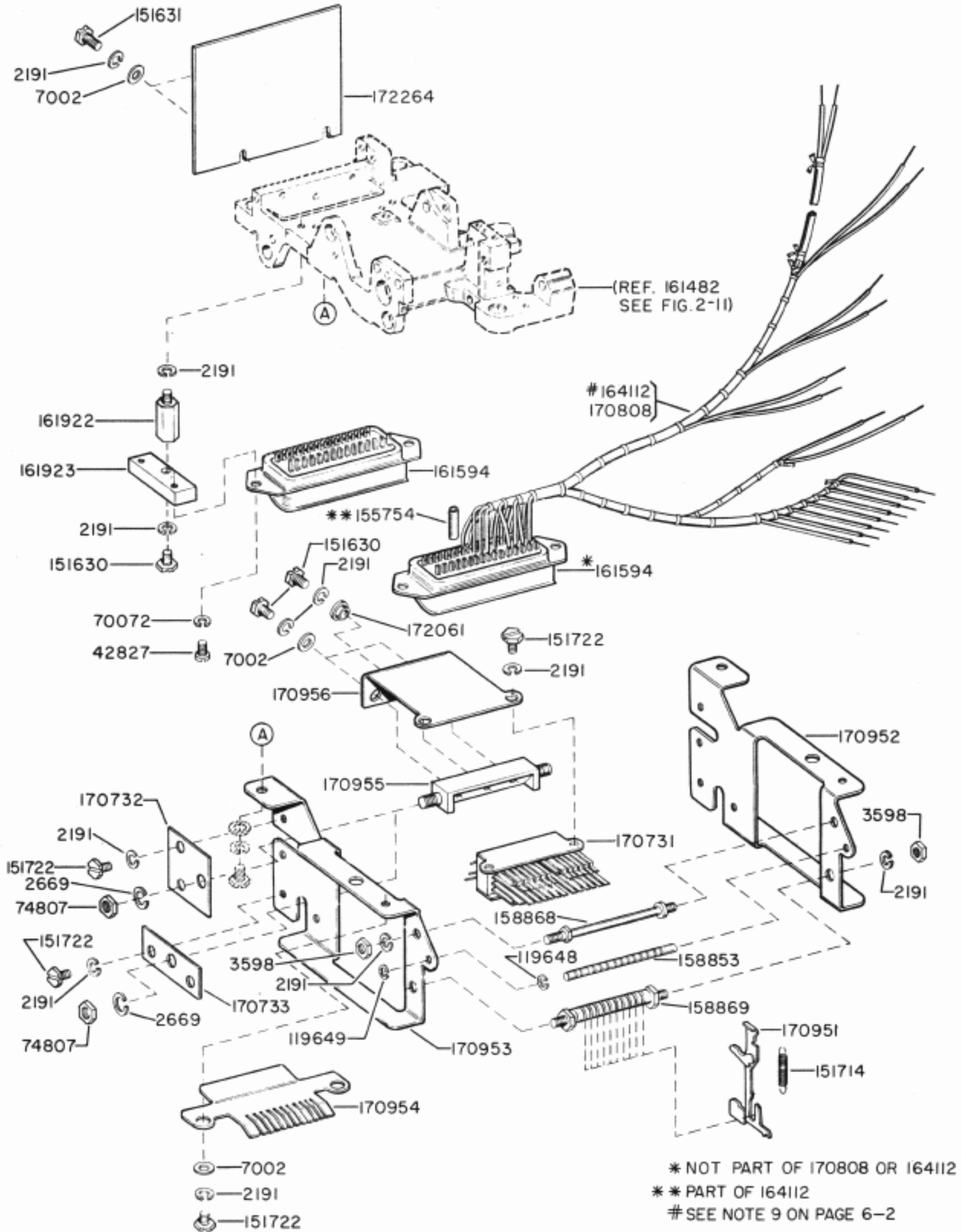
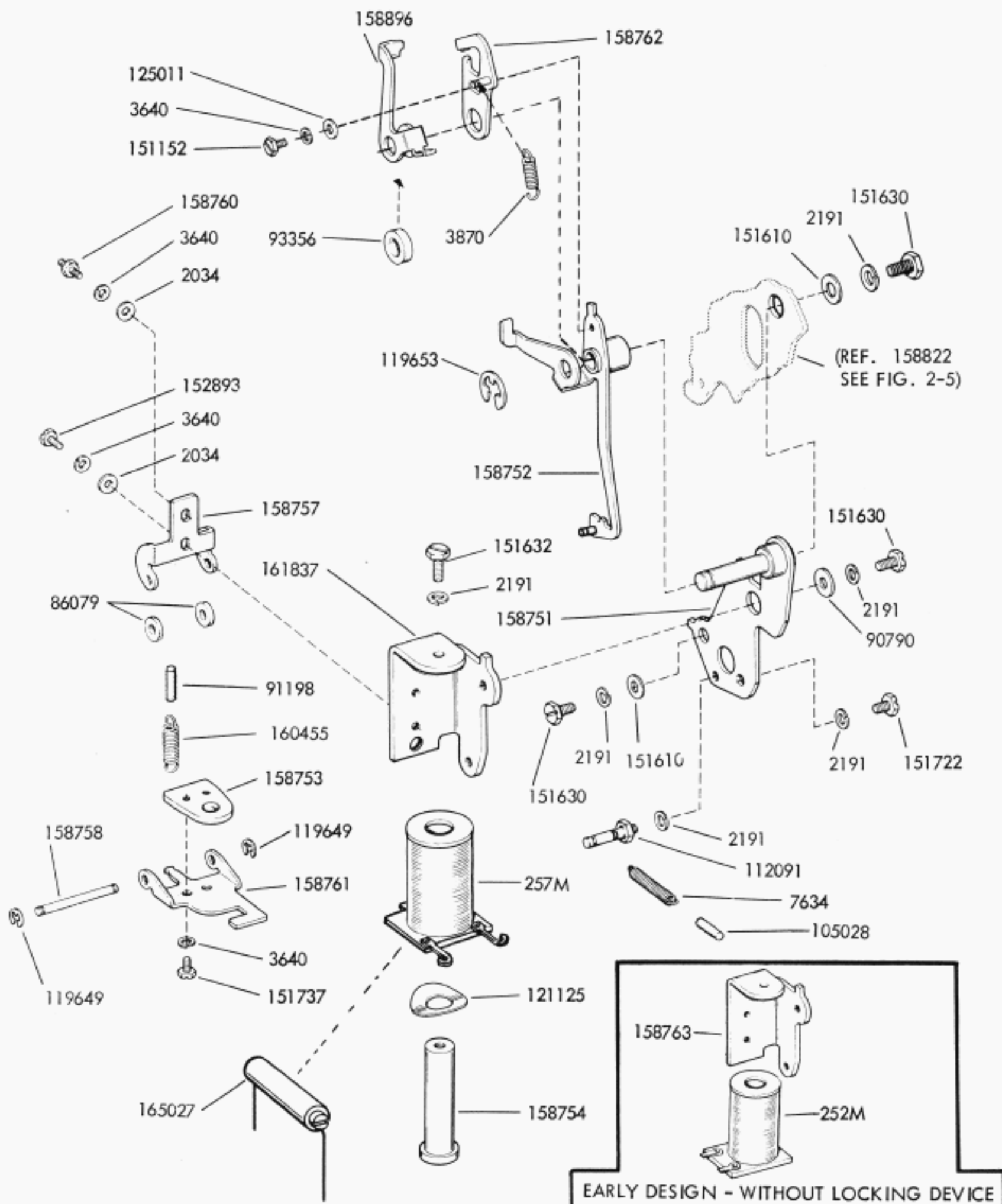


FIGURE 2-14. STORING SWITCH



NOTE: THESE PARTS ARE PECULIAR TO BOTH THE SENSING AND DISTRIBUTOR CLUTCH TRIP MECHANISMS.

FIGURE 2-15. CLUTCH TRIP MECHANISM

1165B

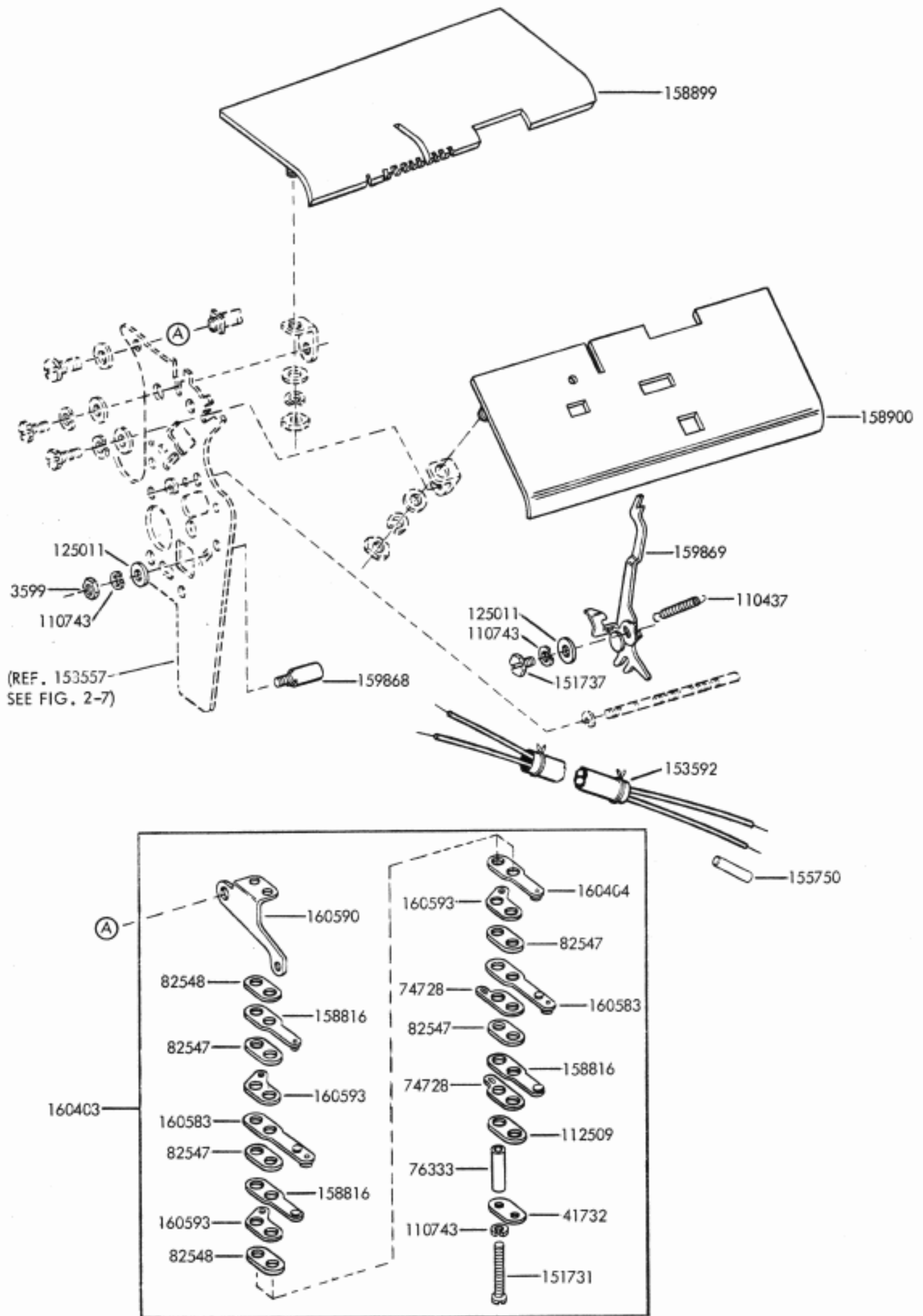


FIGURE 2-16. 163630 MODIFICATION KIT TO PROVIDE TAPE LID SWITCH

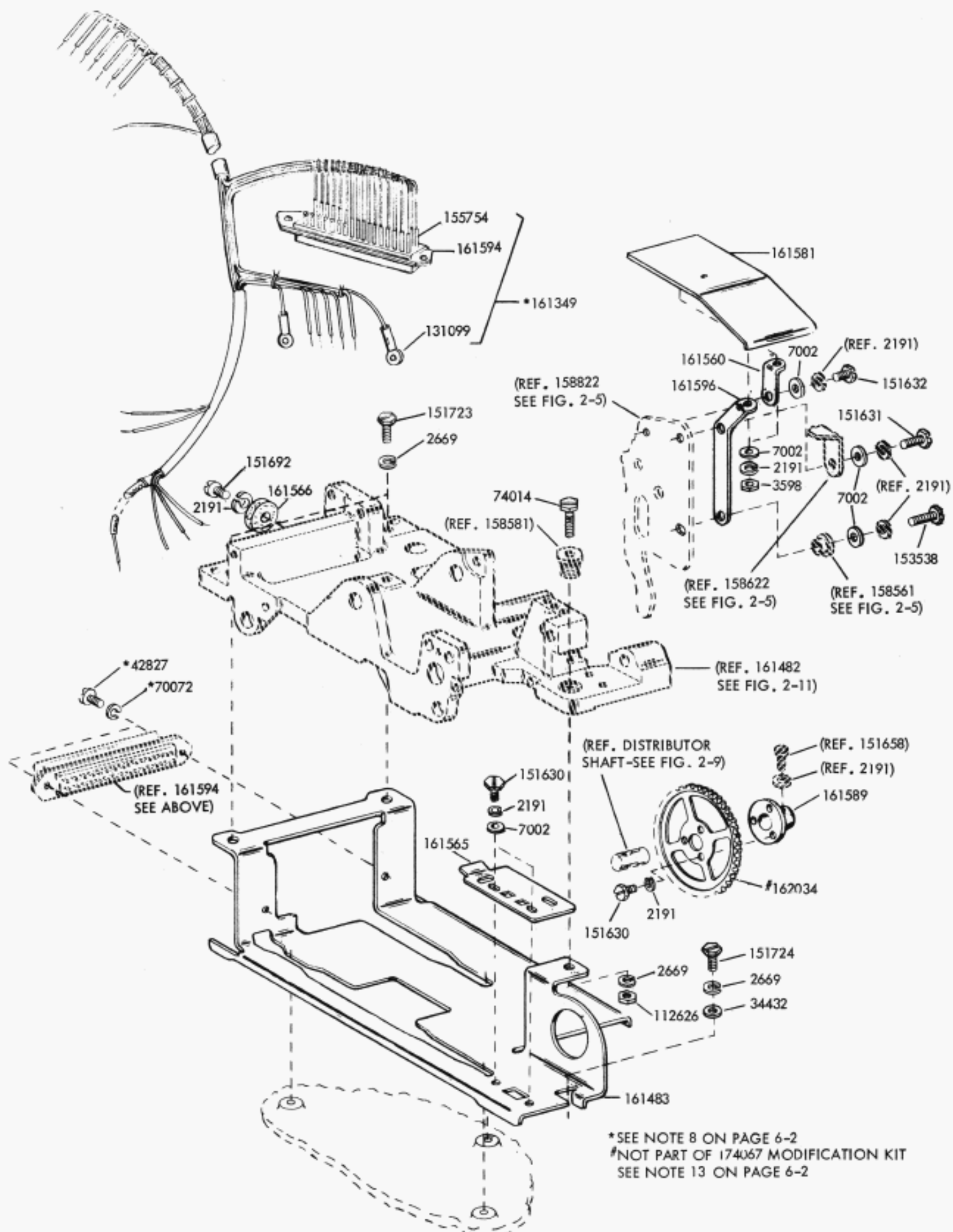


FIGURE 2-17. 161587 AND 174067-MODIFICATION KIT TO ADAPT A TRANSMITTER DISTRIBUTOR (LBXD) FOR MULTIPLE MOUNTING

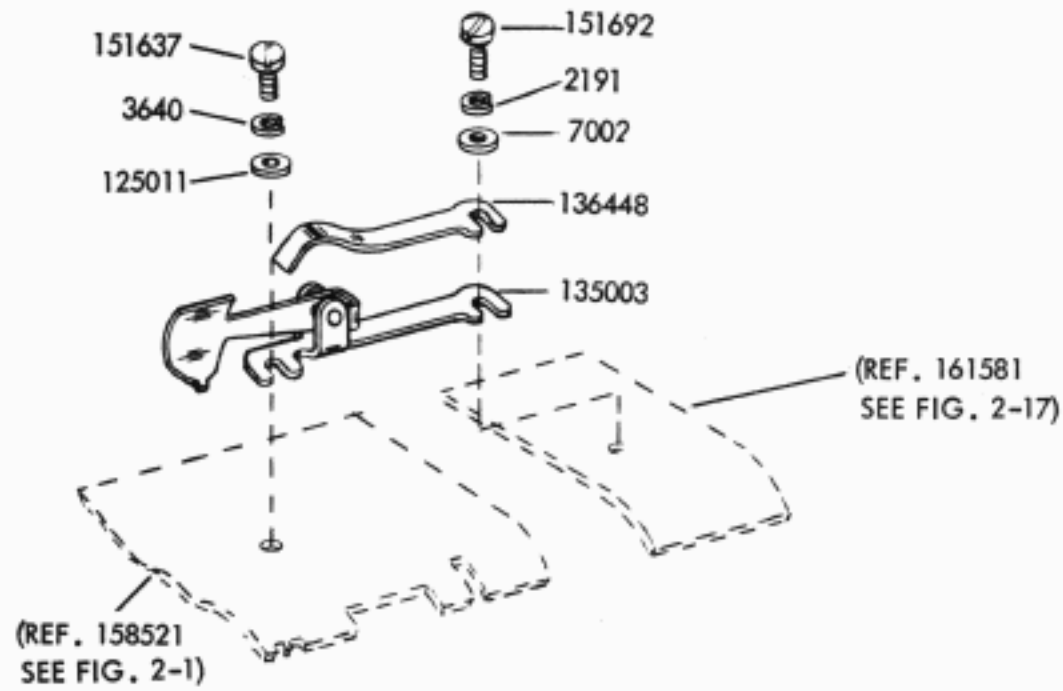


FIGURE 2-18. 162592 MODIFICATION KIT TO PROVIDE TAPE DEFLECTOR

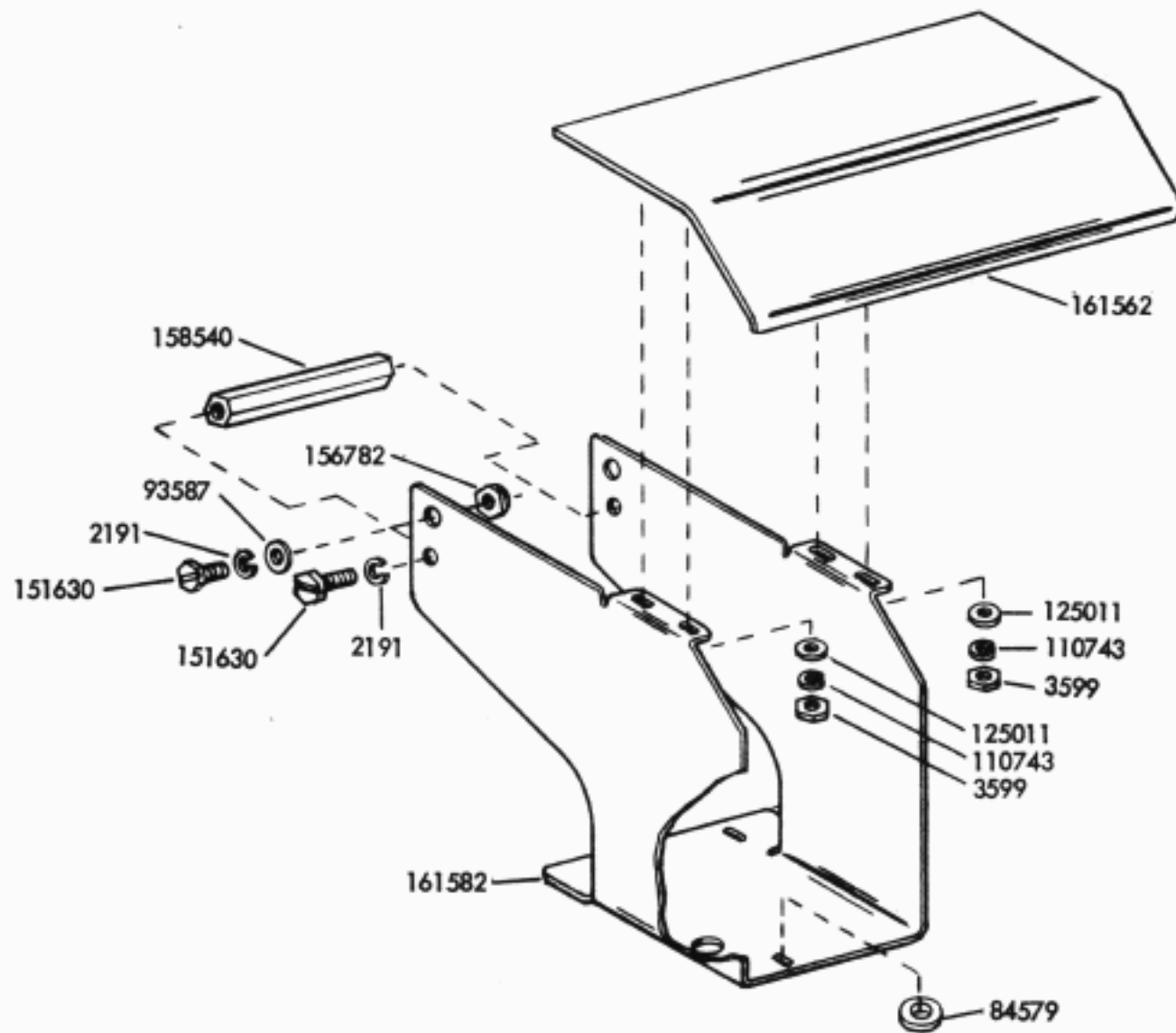


FIGURE 2-19. 161585 MODIFICATION KIT TO PROVIDE A DUMMY UNIT FOR MULTIPLE MOUNTING TRANSMITTER DISTRIBUTOR BASE (LMBX)

NUMERICAL INDEX - SECTION 2

Part Number	Description and Part Number	Part Number	Description and Part Number	Part Number	Description and Part Number
252M	Coil, Magnet (200 Ohms) 2-16	110334	Screw, Shoulder (4-40) 2-4	151687	Screw (4-40x7/16 Fil) 2-14
257M	Coil, Magnet (200 Ohms) 2-16	110437	Spring 2-17	151692	Screw (6-40x3/16 Fil) 2-6, 2-18, 2-19
2034	Washer, Flat 2-16	110743	Washer, Lock (Sev.)	151693	Screw (6-40x9/16 Fil) 2-13
2191	Washer, Lock (Sev.)	111342	Spring 2-4	151714	Spring 2-15
2539	Nut (3/8-32 Hex) 2-9, 2-10, 2-12	112091	Post, Spring 2-16	151715	Spring, Tape Lid 2-3
2669	Washer, Lock 2-11, 2-12, 2-15, 2-18	112509	Insulator 2-17	151721	Screw (6-40x3/4 Hex) 2-13
3595	Nut (1/4-32 Hex) 2-6	112626	Nut (10-32 Hex) 2-11, 2-18	151722	Screw (6-40x3/16 Hex) 2-5, 2-6, 2-9, 2-10, 2-14, 2-15, 2-16
3598	Nut (6-40 Hex) 2-2, 2-5, 2-7, 2-8, 2-12, 2-14, 2-15, 2-18	112633	Spring 2-5	151723	Screw (10-32x3/8 Hex) 2-18
3599	Nut (4-40 Hex) 2-2, 2-3, 2-5, 2-17, 2-19	113844	Screw (10-32x17/32 Hex) 2-12	151724	Screw (10-32x5/8 Hex) 2-12, 2-18
3606	Nut (6-40 Hex) 2-4	114107	Spring 2-5	151728	Spring 2-9, 2-10
3640	Washer, Lock 2-5, 2-9, 2-10, 2-16, 2-19	115221	Washer, Felt 2-8	151731	Screw (4-40x7/8 Fil) 2-17
3870	Spring, Trip Lever Upper Extension 2-16	119647	Ring, Retaining 2-3, 2-4	151733	Screw (4-40x9/16 Fil) 2-5, 2-8
6807	Screw Set (6-40x3/16) 2-7	119648	Ring, Retaining 2-3, 2-7, 2-12, 2-14, 2-15	151737	Screw (4-40x11/64 Hex) 2-9, 2-10, 2-16, 2-17
6835	Washer, Cam Spacer 2-10	119649	Ring, Retaining 2-3, 2-5, 2-16	151846	Post, Spring 2-4
7002	Washer, Flat (Sev.)	119650	Ring, Retaining 2-4	151880	Nut (4-40 Hex) 2-3, 2-7, 2-8, 2-13
7634	Spring, Trip Lever 2-16	119651	Ring, Retaining 2-3	152441	Washer, Flat 2-7, 2-11
8330	Washer, Flat 2-13	119652	Ring, Retaining 2-3, 2-7, 2-11	152893	Screw (4-40x1/4 Hex) 2-2, 2-4, 2-5, 2-6, 2-8, 2-11, 2-16
34432	Washer, Flat 2-11, 2-18	119653	Ring, Retaining 2-4, 2-16	153538	Screw (6-40x7/16 Hex) 2-6
41382	Spring 2-3	120489	Washer, Flat 2-4, 2-14	153592	Cable Assembly 2-17
41675	Washer, Flat 2-3	120824	Washer, Felt 2-9, 2-10	154335	Screw (6-40x9/32 Fil) 2-9, 2-10
41732	Plate, Clamping 2-8, 2-17	120870	Wick Assembly, Felt 2-9, 2-10	154694	Disk, Clutch Cam 2-9, 2-10
42823	Washer, Flat 2-9, 2-10	121125	Washer, Spring 2-16	155549	Shield 2-14
42827	Screw (3-48x1/4 Fil) 2-15, 2-18	121248	Clamp, Cable 2-8	155724	Strip, Insulating 2-14
60669	Spring, Pusher Bail 2-7	121790	Screw (6-40x1-25/32 Hex) 2-14	155725	Plate, Terminal (Center Contact) 2-14
61085	Washer, Lock 2-12, 2-13	125011	Washer, Flat 2-2, 2-3, 2-5, 2-6, 2-7, 2-8, 2-11, 2-16, 2-17, 2-19	155750	Sleeve, Insulating 2-17
70072	Washer, Lock 2-15, 2-18	125252	Spring, Latch 2-7	155752	Sleeve, Insulating 2-12, 2-13
70388	Spring, Feed Pawl 2-4	125802	Washer, Flat 2-8	155754	Sleeve, Insulating 2-15, 2-18
70878	Spring 2-3	131099	Terminal 2-12, 2-18	156226	Hub, Gear 2-10
72522	Wick, Felt 2-6	135003	Deflector Assembly, Tape 2-19	156549	Lid, Tape 2-3
73175	Washer, Lock 2-9, 2-10	136448	Spring 2-19	156551	Guide, Right Tape 2-3
74014	Screw (10-32x3/4 Hex) 2-18	144852	Pin, Tape-Out 2-7	156553	Post, Release Bail Eccentric 2-3
74707	Spring, Feed Lever 2-7	144853	Guide, Lever 2-11	156554	Bail, Tape Lid Release 2-3
74728	Terminal 2-17	144919	Lid, Tape 2-3	156555	Plunger, Tape Lid Release 2-3
74807	Nut (10-32 Hex) 2-15	144944	Plate 2-3	156556	Bracket, Top Plate Mounting 2-2, 2-3
76275	Plate, Nut 2-8	145347	Bail 2-3	156558	Washer, Felt 2-3
76333	Bushing 2-17	150013	Disk, Adjusting 2-9, 2-10	156559	Post, Tape Lid 2-3
76474	Nut (10-32 Hex) 2-11	150026	Lever, Clutch Shoe 2-9, 2-10	156560	Bail, Tight Tape Sensing 2-3
81895	Post, Spring 2-4	150029	Wick, Felt 2-9, 2-10	156561	Shaft, Tight Tape Bail Pivot 2-3
82547	Plate, Insulating 2-5, 2-8, 2-17	150040	Screw (6-40x5/8 Fil) 2-9, 2-10	156577	Roller 2-4
82548	Plate, Insulating 2-5, 2-8, 2-17	150043	Shoe, Clutch Secondary 2-9, 2-10	156636	Wheel, Feed 2-3
84575	Spring, Cam Follower Lever 2-12	150044	Shoe, Clutch Primary 2-9, 2-10	156647	Lever, Stop-Start 2-3
84579	Spring, Sensing Bail 2-11, 2-19	150048	Spring, Pusher Lever 2-11	156673	Bail, Start-Stop Lever Detent 2-3
85318	Washer, Leather 2-6	150241	Spring, Clutch Shoe 2-9, 2-10	156779	Plunger, Cover Plate Detent 2-2
85559	Washer, Flat 2-6	150507	Spring, Latch Lever 2-11	156782	Nut, Detenting 2-8, 2-19
86079	Washer, Felt 2-16	150923	Washer, Felt 2-7, 2-11	156811	Guide, Left Tape 2-3
86959	Bushing, Insulating 2-5, 2-8	151103	Spring, Auxiliary Lever 2-11	156857	Bail 2-4
87402	Spring, Detent 2-4	151152	Screw (4-40x3/16 Hex) 2-3, 2-6, 2-11, 2-16	158502	Plate, Control 2-5
90436	Wick, Felt (Cross Oiler) 2-6	151246	Washer, Flat 2-10	158505	Stud, Connector Mounting 2-8
90752	Washer, Felt 2-7	151346	Screw (6-40x3/8 Fil) 2-10	158506	Lever, Detent 2-4
90789	Washer, Flat 2-8	151395	Spring 2-4	158513	Plate, Cover 2-2
90790	Washer, Flat 2-16	151610	Washer, Flat 2-16	158514	Plate, Spring 2-2
91198	Wick, Felt 2-16	151630	Screw (6-40x1/4 Hex) 2-4, 2-6, 2-8, 2-9, 2-10, 2-15, 2-16, 2-18, 2-19	158515	Bracket, Detent 2-2
93356	Washer, Felt 2-16	151631	Screw (6-40x5/16 Hex) 2-6, 2-9, 2-10, 2-14, 2-15	158516	Rod, Plunger Guide 2-2
93587	Washer, Flat 2-8, 2-19	151632	Screw (6-40x3/8 Hex) 2-6, 2-8, 2-9, 2-12, 2-16	158517	Spring, Detent (Cover) 2-2
98726	Screw (3-48x1/4 Fil) 2-12	151633	Bearing, Ball 2-9, 2-10	158521	Plate, Top 2-2
98832	Screw (4-40x11/16 Fil) 2-13	151637	Screw (4-40x1/4 Fil) 2-19	158522	Pin Assembly, Sensing 2-7
102092	Screw (6-40x1-17/32 Rd) 2-6	151638	Washer, Spring 2-10	158526	Lever, Feed 2-7
104451	Washer, Lock 2-6	151658	Screw (6-40x5/16 Fil) 2-10		
104751	Spring, Start-Stop Lever Detent 2-3	151686	Screw (4-40x3/8 Fil) 2-14		
105028	Wick, Felt 2-16				

NUMERICAL INDEX - SECTION 2 (Continued)

Part Number	Description and Part Number	Part Number	Description and Part Number	Part Number	Description and Part Number
158527	Rod, Spring 2-7	158788	Clamp, Bearing 2-9, 2-10	160398	Spring, Contact 2-5
158528	Spacer, Connector Mounting 2-13	158789	Plug, Idler Gear Oil Retainer 2-6	160399	Spring, Contact 2-5
158529	Bushing, Guide 2-4	158794	Spacer 2-9, 2-10	160400	Contact Assembly 2-5
158531	Shaft 2-4	158795	Plate, Bearing Mounting 2-9, 2-10	160401	Bracket, Switch Mounting 2-5
158533	Bushing, Eccentric 2-4	158797	Drum, Clutch 2-9, 2-10	160402	Bracket, Contact Stop 2-5
158534	Post, Guide 2-4	158805	Lever, Cam Follower(Feed) 2-7	160403	Contact Assembly, Electrical 2-17
158535	Post 2-4	158810	Bail, Latch Stripper 2-7	160404	Contact W/Point, Electrical 2-17
158536	Plate, Center 2-4	158812	Bail, Pusher 2-7	160455	Spring, Armature Bail 2-16
158539	Post, Feed Wheel Bearing 2-8	158816	Spring, Contact 2-8, 2-17	160544	Shaft 2-4
158540	Post, Intermediate Plate Tie 2-8, 2-19	158819	Shaft, Stripper Bail Pivot 2-7	160545	Post, Guide 2-4
158542	Spring, Sensing Pin 2-7	158822	Plate, Fixed Transmitter Rear 2-6	160546	Post 2-4
158551	Sleeve, Distributor Cam (7.42 Unit Code) 2-10	158829	Shaft, Sensing Bail Eccentric 2-11	160548	Bail 2-4
158552	Sleeve, Sensing Cam (7.00 Unit Code) 2-9	158830	Guide, Sensing Lever 2-11	160549	Bail 2-5
158553	Shaft, Distributor 2-10	158831	Bail, Sensing 2-11	160551	Arm, Rear Slide 2-5
158554	Post 2-6	158832	Shaft, Eccentric 2-11	160552	Arm, Front Slide 2-5
158556	Bracket 2-11	158833	Lever, Auxiliary 2-11	160556	Stud 2-5
158557	Plate, Front 2-8	158834	Lever, Slide Latch 2-11	160557	Arm 2-5
158559	Plate, Intermediate 2-8	158837	Shaft, Distributor 2-10	160558	Arm 2-5
158560	Plate, Intermediate 2-6	158839	Shaft, Sensing 2-9	160562	Screw (6-40x31/32 Spl) 2-6
158561	Bushing, Locating 2-6, 2-8	158842	Sleeve, Distributor Cam (7.42 Unit Code) 2-10	160563	Wick, Leather 2-6
158566	Bushing 2-12	158846	Post, Spring 2-8	160564	Stiffener, Oil Wick 2-6
158576	Bushing 2-6	158847	Clamp, Bearing 2-9, 2-10	160565	Bracket, Lever 2-6
158581	Bushing 2-12	158848	Lever, Pusher (Sensing) 2-11	160566	Bracket, Reservoir Mounting 2-6
158583	Clip, Spring 2-4	158849	Lever, Pusher (Auxiliary) 2-11	160583	Spring, Contact 2-8, 2-17
158585	Post, Tape-Out Pin Stop 2-8	158850	Bearing, Clutch 2-9, 2-10	160590	Bracket, Tape-Out Switch 2-8, 2-17
158587	Plate 2-12	158852	Collar, Feed Lever Set 2-7	160591	Bracket, Spring 2-8
158588	Post 2-12	158853	Post, Spring 2-14, 2-15	160592	Bail 2-4
158596	Sleeve, Distributor Cam (7.00 Unit Code) 2-10	158854	Slide, Storing Switch 2-14	160593	Terminal, Contact 2-5, 2-8, 2-17
158602	Connector, Receptacle 2-12, 2-13	158859	Post, Spring 2-6, 2-12	160594	Tape Out Switch Assembly 2-8
158614	Cable Assembly 2-13	158860	Bar, Reservoir Mounting 2-6	160595	Pin, Tape-Out 2-7
158615	Cable Assembly 2-13	158868	Post, Slide Stop 2-14, 2-15	160596	Spring, Tape-Out Pin 2-7
158616	Cable Assembly W/Connector 2-12	158870	Guide, Contact Lever 2-14	160645	Plate, Tape Guide 2-3
158617	Cable Assembly W/Connector and Terminals 2-12	158871	Lever, Contact (Lower) 2-14	160646	Pin W/Sleeve, Tape-Out 2-7
158618	Cable Assembly 2-13	158872	Lever, Contact (Upper) 2-14	160647	Lid, Tape 2-3
158622	Deflector 2-6	158873	Guide, Slide Lever 2-14	161148	Retainer 2-11
158625	Bracket, Tape Lid Bearing 2-3	158874	Plate, Storing Switch Front 2-14	161149	Wick, Oil 2-11
158626	Bracket, Tape Lid Intermediate 2-3	158875	Plate, Storing Switch Rear 2-14	161291	Bushing 2-3
158627	Plate, Tape Guide 2-3	158880	Spring, Compression 2-10	161325	Bail, Latch Stripper 2-7
158715	Gear, Helical (32T) 2-10	158882	Bracket, Oil Guard 2-13	161326	Bail, Pusher 2-7
158751	Plate, Mounting 2-16	158883	Spring, Rocker Compression 2-13	161328	Shaft, Stripper Bail Pivot 2-7
158752	Lever, Clutch Trip 2-16	158887	Plate, Contact 2-14	161349	Cable W/Connector and Terminals 2-18
158753	Armature, Magnet 2-16	158888	Plate, Contact 2-14	161440	Spring, Tape Lid 2-3
158754	Core, Magnet 2-16	158895	Clip, Wick 2-9, 2-10	161482	Casting, Main 2-12
158757	Hinge, Mounting 2-16	158896	Lever, Clutch Latch 2-16	161483	Cradle 2-18
158758	Shaft, Armature Bail 2-16	158898	Sleeve, Sensing Cam (7.42 Unit Code) 2-9	161560	Bracket 2-18
158760	Post, Armature Bail Spring 2-16	158899	Plate W/Studs 2-17	161562	Plate W/Studs 2-19
158761	Bail, Armature 2-16	158900	Plate W/Studs 2-17	161565	Plate, Locating 2-18
158762	Lever, Trip (Upper Extension) 2-16	158926	Screw (4-40x7/32 Hex) 2-9, 2-10	161566	Bushing, Insulating 2-18
158763	Bracket, Magnet 2-16	159078	Block, Storing Switch Contact 2-14	161581	Plate 2-18
158766	Screw, Contact 2-13	159094	Plate, Contact Spring Terminal 2-14	161582	Bracket 2-19
158767	Guide, Rocker Lever 2-13	159095	Spring, Contact 2-14	161585	Modification Kit 2-19
158768	Terminal, Contact 2-13	159097	Screw, Storing Switch Contact 2-14	161587	Modification Kit 2-18
158770	Terminal, Spring Holder 2-13	159241	Sleeve, Distributor Cam (7.42 Unit Code) 2-10	161589	Hub 2-18
158771	Shaft 2-12	159293	Arm 2-4	161594	Connector, Plug (Mates with 161595) 2-15, 2-18
158777	Holder, Contact Screw 2-13	159313	Reservoir Assembly 2-6	161596	Bracket 2-18
158778	Post, Spring 2-12	159347	Bail 2-4	161837	Bracket, Magnet 2-16
158779	Lever, Cam Follower 2-12	159738	Spacer 2-5	161922	Post 2-15
158780	Guide, Lever 2-12	159800	Spring, Rocker Terminal 2-13	161923	Strip 2-15
158781	Rocker, Contact 2-13	159804	Spring, Slide 2-14	162034	Gear (96T) 2-18
158785	Block, Distributor Contact 2-13	159868	Post 2-17	162354	Reservoir, Oil 2-6
158786	Roller, Stripper Bail 2-7, 2-11	159869	Pin Assembly, Tape Lid 2-17	162470	Plate, Adapter 2-12
				162476	Plate 2-13
				162592	Modification Kit 2-19
				163011	Gear, Idler (23T) 2-6
				163012	Gear, Clutch Driving (46T) 2-9, 2-10

NUMERICAL INDEX - SECTION 2 (Continued)

Part Number	Description and Part Number	Part Number	Description and Part Number	Part Number	Description and Part Number
163363	Stud, Idler Gear Bearing 2-6	165027	Network, Spark Suppression 2-8, 2-16	170953	Plate, Front Side 2-15
163630	Modification Kit 2-17			170954	Guide 2-15
164110	Sleeve, Distributor Cam (7.42 Unit Code) 2-10	170731	Contact Assembly 2-15	170955	Bar, Support 2-15
164112	Cable Assembly 2-15	170732	Plate, Top 2-15	170956	Bracket, Contact 2-15
164467	Post, Release Bail Eccentric 2-3	170733	Plate, Bottom 2-15	172061	Bushing, Shoulder 2-15
164468	Bail, Tape Lid Release 2-3	170762	Sleeve, Sensing Cam (7.42 Unit Code) 2-9	172264	Guard 2-15
164469	Post, Tape Lid 2-3	170763	Sleeve, Distributor Cam (7.42 Unit Code) 2-10	174067	Modification Kit 2-18
164470	Bracket, Tape Lid Bearing 2-3			174455	Pawl, Feed 2-4
164471	Bracket, Tape Lid Intermediate 2-3	170776	Shaft, Sensing Bail Eccentric 2-11	174506	Block, Distributor Contact 2-13
164568	Modification Kit to Replace Old Style Latch Bail, Pusher Bail and Shaft 2-7	170808	Cable Assembly 2-15	176389	Label (Free-Stop) 2-2
		170951	Slide 2-15	176390	Label (Run) 2-2
		170952	Plate, Rear Side 2-15	178171	Modification Kit to Replace Old Style Base Casting (158820) 2-12

SECTION 3

MOTOR UNITS

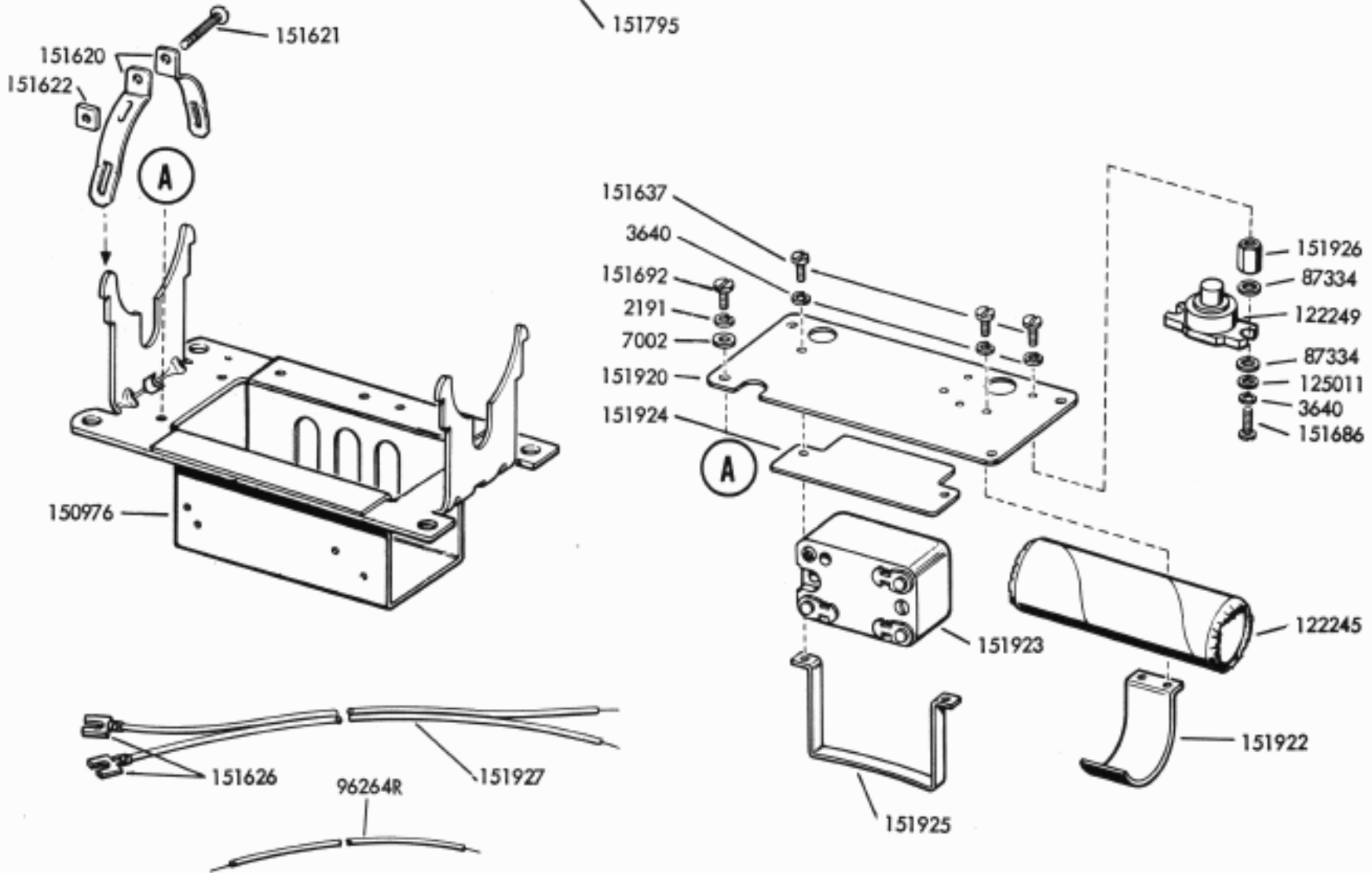
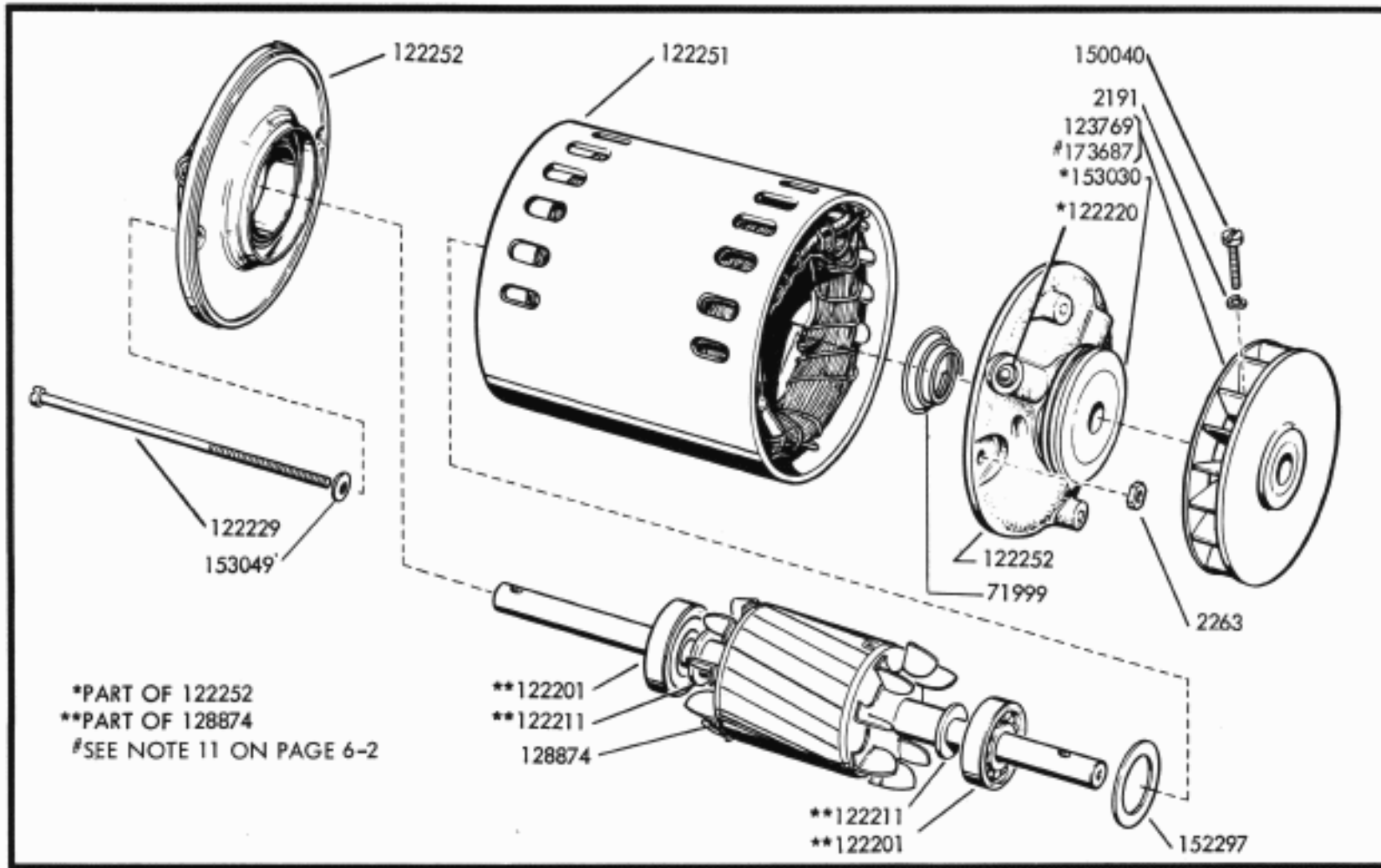
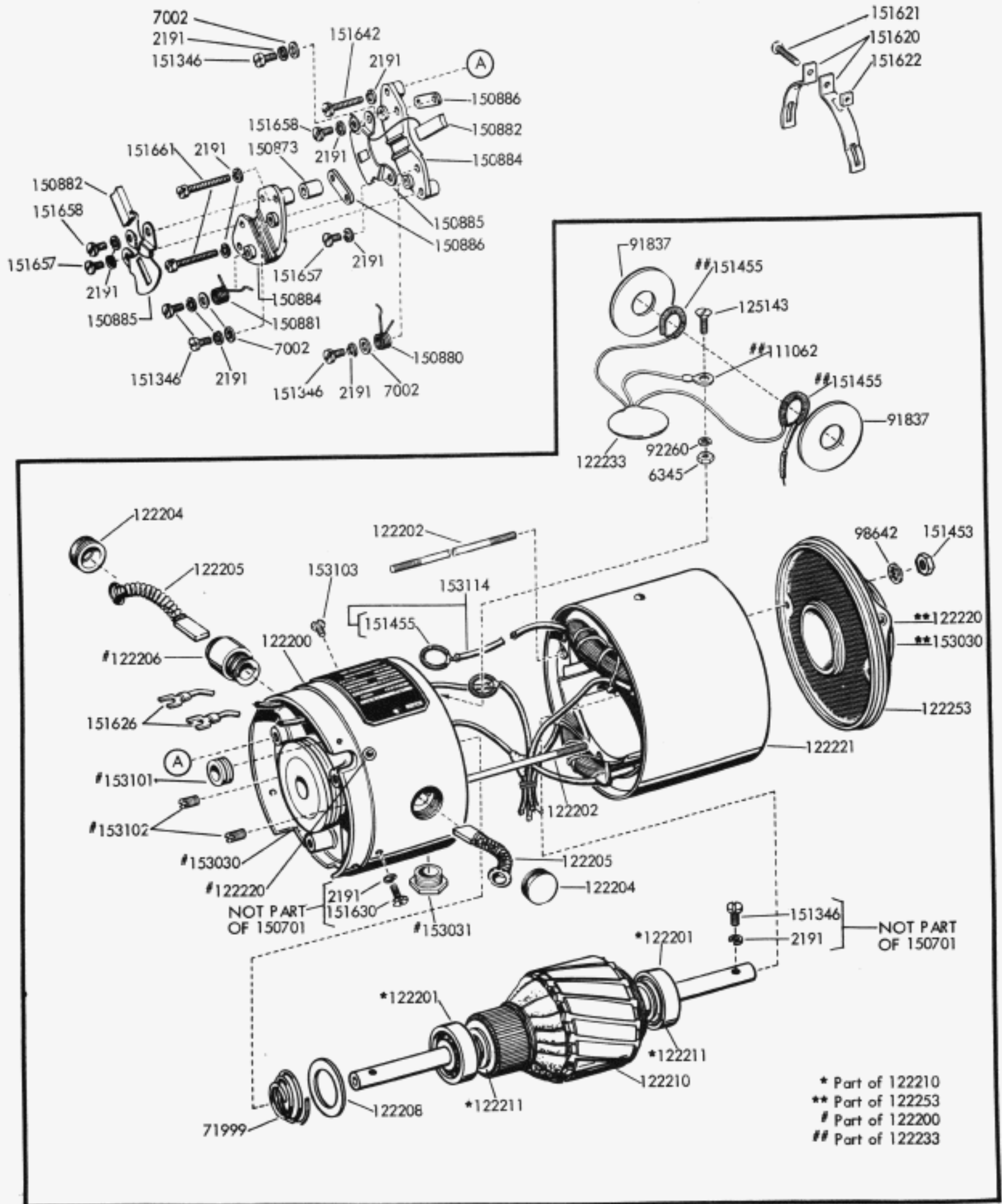


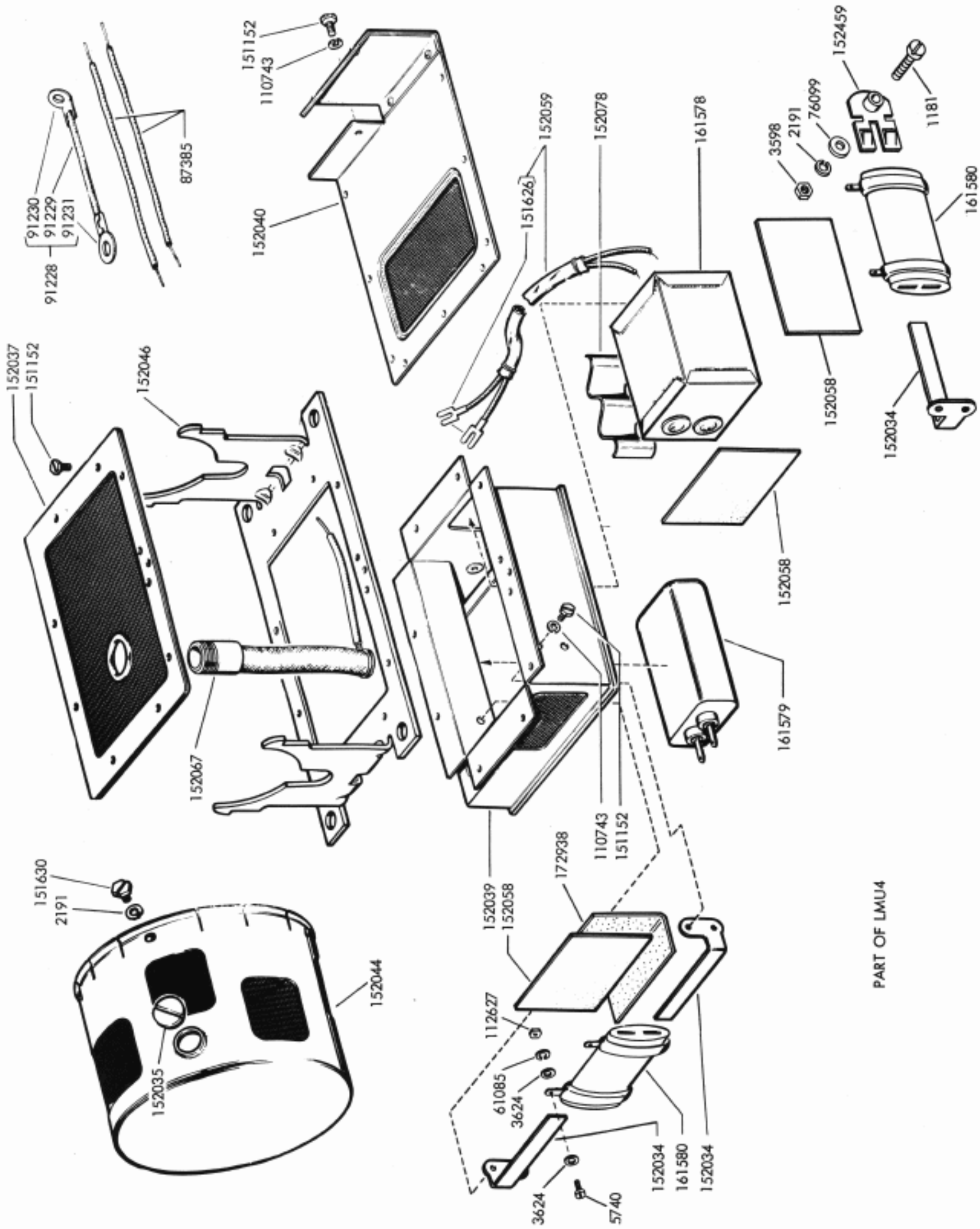
FIGURE 3-1. LMU3 SYNCHRONOUS MOTOR UNIT



ALSO SEE FIGURES 3-3, 3-4 AND 3-5.

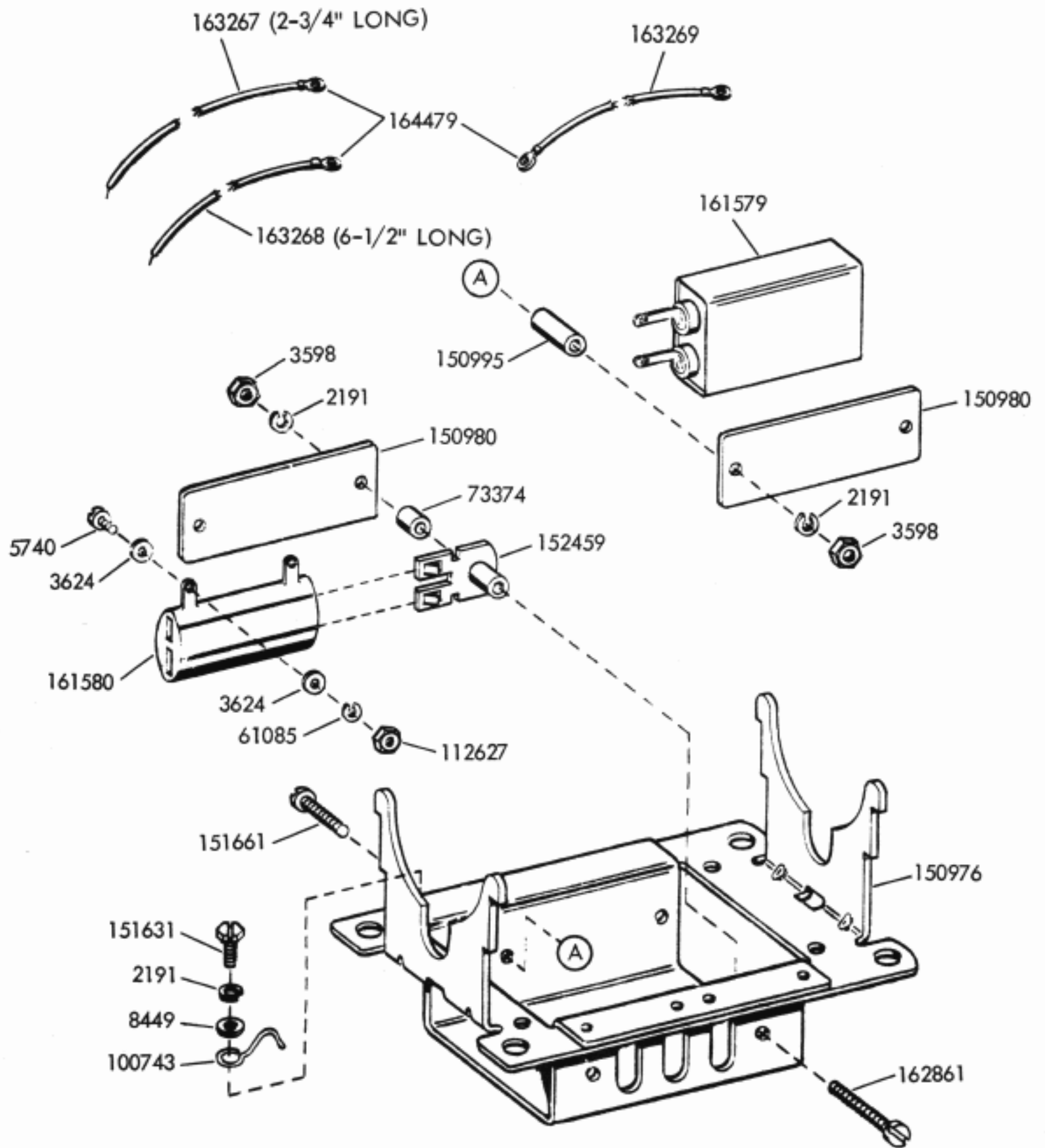
150701 (H.P. 1/20)

FIGURE 3-2. LMU4 AND 6 SERIES MOTOR UNITS



PART OF LMU4

FIGURE 3-3. SERIES MOTOR MOUNTING PARTS WITH RF SUPPRESSION



PART OF LMU6

FIGURE 3-4. SERIES MOTOR MOUNTING PARTS

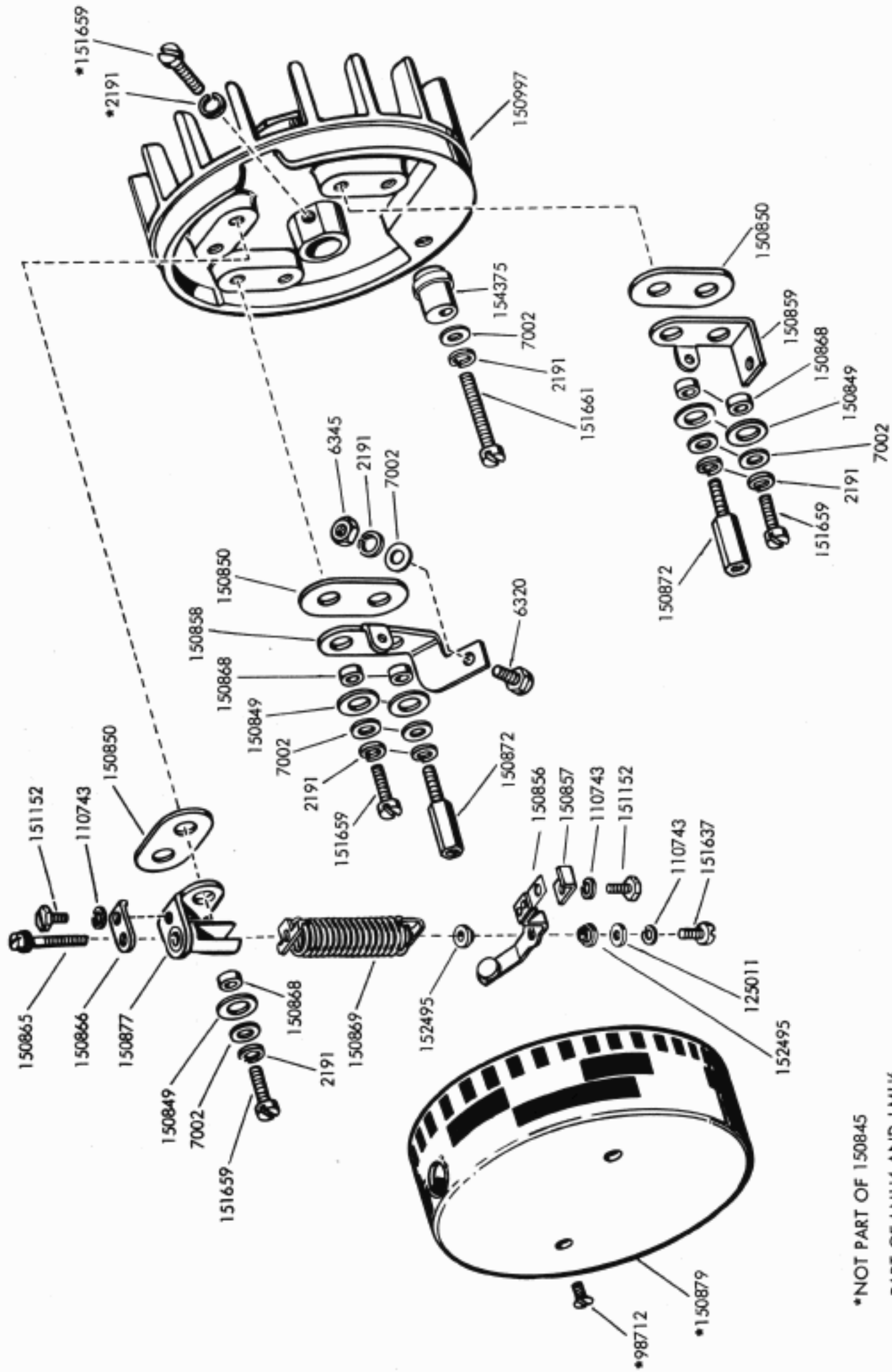


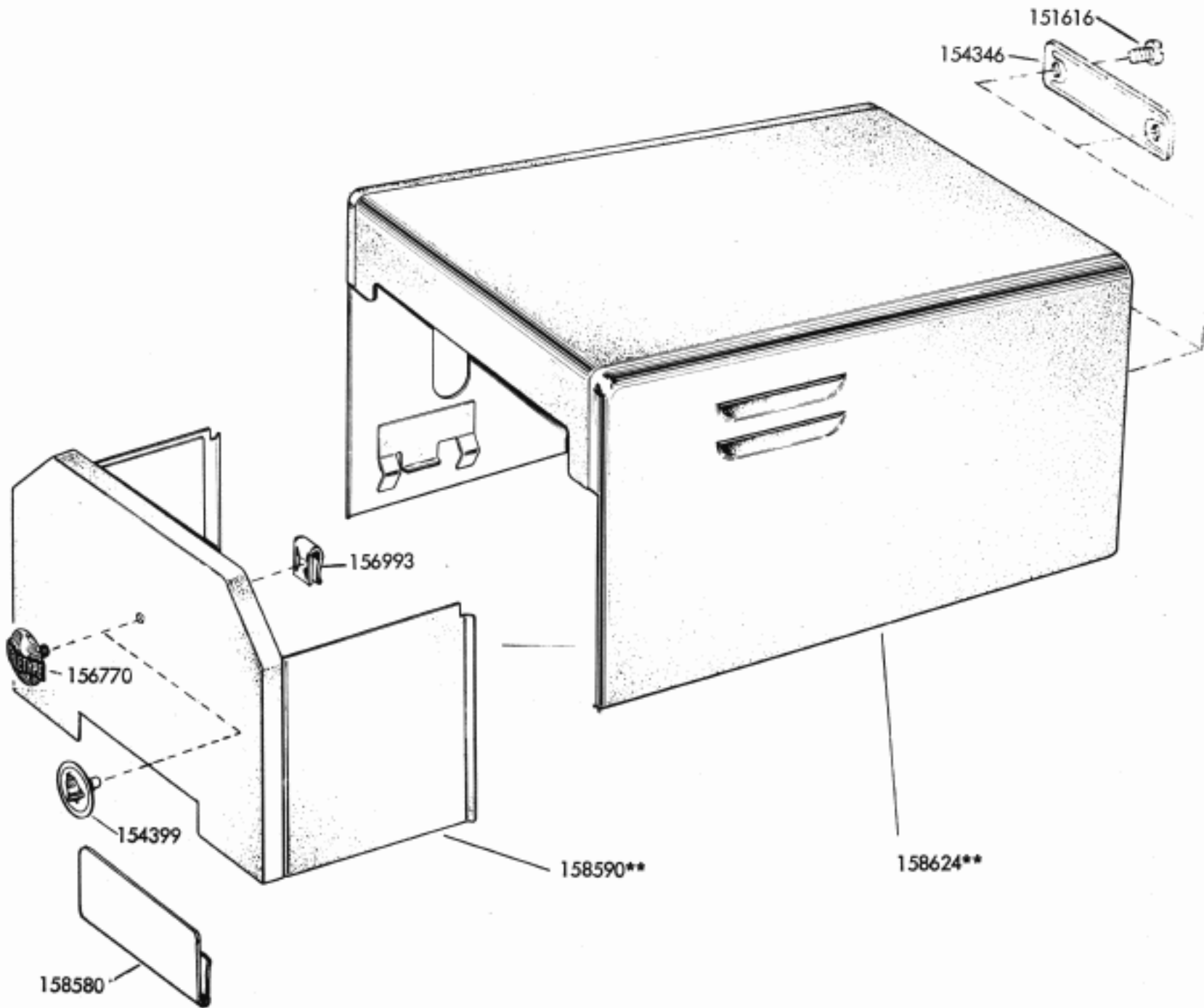
FIGURE 3-5. 150845 GOVERNOR ASSEMBLY

NUMERICAL INDEX - SECTION 3

Part Number	Description and Part Number	Part Number	Description and Part Number	Part Number	Description and Part Number
1181	Screw, Trip Rod Stop 3-4	122253	Shield Assembly, End 3-3	151657	Screw (6-40x1/4 Fil) 3-3
2191	Washer, Lock (Sev.)	123769	Fan, Motor 3-2	151658	Screw (6-40x5/16 Fil) 3-3
2263	Nut (8-32 Hex) 3-2	125011	Washer, Flat 3-2, 3-6	151659	Screw (6-40x1/2 Fil) 3-6
3598	Nut (6-40 Hex) 3-4, 3-5	125143	Screw (6-32 x 5/16 Flat) 3-3	151661	Screw (6-40x1 Fil) 3-3, 3-5, 3-6
3624	Washer, Terminal Screw 3-4, 3-5	128874	Rotor, Motor 3-2	151686	Screw (4-40x3/8 Fil) 3-2
3640	Washer, Lock 3-2	150040	Screw (6-40x5/8 Fil) 3-2	151692	Screw (6-40x3/16 Fil) 3-2
5740	Screw (2-56x1/4 Fil) 3-4, 3-5	150701	Motor, Series 3-3	151795	Motor, A.C. Synchronous 3-2
6320	Screw, Contact 3-6	150845	Governor Assembly 3-6	151920	Plate, Relay - Capacitor Mounting 3-2
6345	Nut (6-32 Hex) 3-3, 3-6	150849	Washer, Insulating 3-6	151922	Clamp, Capacitor 3-2
7002	Washer, Flat 3-2, 3-3, 3-6	150850	Plate, Insulating 3-6	151923	Relay 3-2
8449	Collar, Shift Rocker Screw 3-2, 3-3, 3-5	150856	Arm, Movable Contact 3-6	151924	Insulator, Relay 3-2
61085	Washer, Lock 3-4, 3-5	150857	Clamp, Contact Arm 3-6	151925	Clamp, Relay 3-2
71999	Spring, Preloading 3-2, 3-3	150858	Bracket, Contact 3-6	151926	Nut (4-40 Hex) 3-2
73374	Spacer 3-5	150859	Bracket, Contact Arm Mounting 3-6	151927	Cable, Motor Unit 3-2
76099	Washer, Flat 3-4	150865	Screw, Clamping (4-40) 3-6	152034	Bracket, Resistor Mounting 3-4
87334	Washer, Insulating 3-2	150866	Clamp, Adjusting Screw Locking 3-6	152035	Plug 3-4
87385	Strap, Resistor (4" Black) 3-4	150868	Bushing, Insulating 3-6	152037	Cover, Container 3-4
91228	Strap, Ground 3-4	150869	Spring, Governor 3-6	152039	Container Assembly 3-4
91229	Connector (2" Copper Braid) 3-4	150872	Stud, Cover Mounting 3-6	152040	Lid, Container 3-4
91230	Terminal 3-4	150873	Collar, Spacing 3-3	152044	Cover Assembly 3-4
91231	Terminal, Wire 3-4	150877	Bracket, Governor Spring Guide 3-6	152046	Bracket, Motor Mounting 3-4
91837	Washer, Fiber 3-3	150879	Cover, Governor 3-6	152058	Separator 3-4
92260	Washer, Lock 3-3	150880	Spring, Brush 3-3	152059	Cable Assembly 3-4
98642	Washer, Shakeproof 3-3	150881	Spring, Brush 3-3	152067	Nipple Assembly 3-4
98712	Screw (4-40x7/32 Flat) 3-6	150882	Brush, Electrical Contact 3-3	152078	Spring, Separator 3-4
100743	Clamp, Cable 3-5	150884	Mounting, Brush 3-3	152297	Washer, Bearing 3-2
110743	Washer, Lock 3-4, 3-6	150885	Plate, Brush 3-3	152459	Bracket, Resistor Mounting 3-4, 3-5
111062	Terminal 3-3	150886	Plate, Clamp 3-3	152495	Bushing 3-6
112627	Nut (2-56 Hex) 3-4, 3-5	150976	Bracket, Motor Mounting 3-2, 3-5	153030	Mount, Vibration 3-2, 3-3
122200	Shield Assembly, End 3-3	150980	Plate, Clamping 3-5	153031	Bushing, Lead 3-3
122201	Bearing, Ball 3-2, 3-3	150995	Bushing, Insulating 3-5	153049	Washer, Fiber 3-2
122202	Bolt, Clamping (10-32) 3-3	150997	Fan, Governor 3-6	153101	Grommet 3-3
122204	Cap, Brush 3-3	151152	Screw (4-40x3/16 Hex) 3-4, 3-6	153102	Screw, Set (8-32) 3-3
122205	Brush W/Spring 3-3	151346	Screw (6-40x3/8 Fil) 3-3	153103	Screw, Self tapping 3-3
122206	Holder, Brush 3-3	151453	Nut (10-32 Hex) 3-3	153114	Wire Assembly 3-3
122208	Washer, Flat 3-3	151455	Spring, Helical Clip 3-3	154375	Backstop Assembly 3-6
122210	Armature, Motor 3-3	151620	Strap, Motor Mounting 3-2, 3-3	161578	Suppressor, Electrical 3-4
122211	Washer, Pull 3-2, 3-3	151621	Screw (6-32x3/4 Rd) 3-2, 3-3	161579	Capacitor, Fixed 3-4, 3-5
122220	Oiler, Ball 3-2, 3-3	151622	Nut (6-32 Sq) 3-2, 3-3	161580	Resistor 3-4, 3-5
122221	Stator 3-3	151626	Terminal 3-2, 3-3, 3-4	162861	Screw (6-40x1-5/16 Fil) 3-5
122229	Bolt, Clamping (8-32) 3-2	151630	Screw (6-40x1/4 Hex) 3-3, 3-4	163267	Wire Assembly 3-5
122233	Capacitor Assembly 3-3	151631	Screw (6-40x5/16 Hex) 3-5	163268	Wire Assembly 3-5
122245	Capacitor, Fixed 3-2	151637	Screw (4-40x1/4 Fil) 3-2, 3-6	163269	Wire Assembly 3-5
122249	Switch, Thermostatic 3-2	151642	Screw (6-40x3/4 Fil) 3-3	164479	Terminal 3-5
122251	Stator, Motor 3-2			172938	Insulator, Electric 3-4
122252	Shield Assembly, End 3-2			173687	Fan, Motor 3-2

SECTION 4

COVERS



**Refer to chart on page C for finish suffix.

FIGURE 4-1. LBXC200** COVER

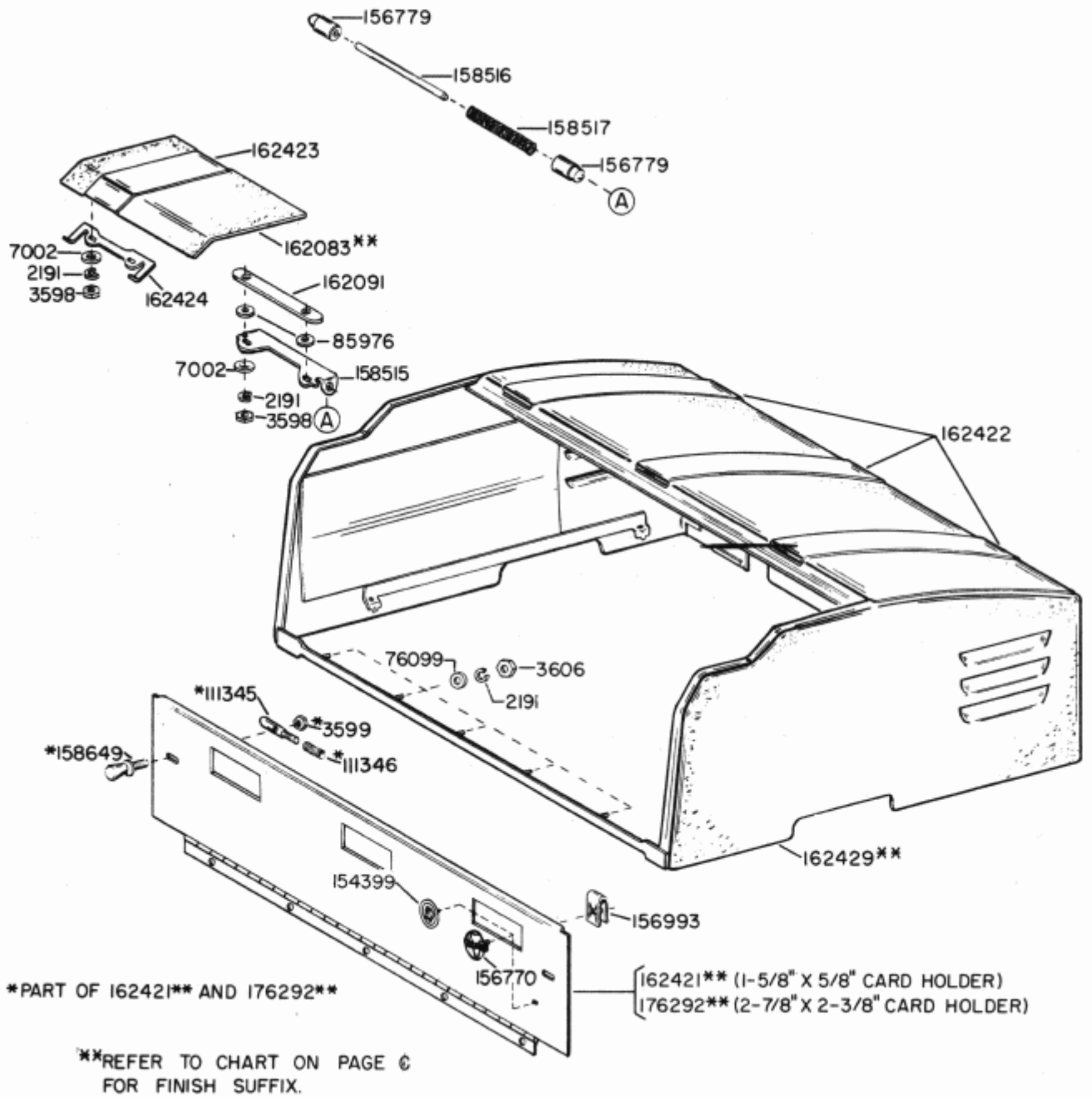


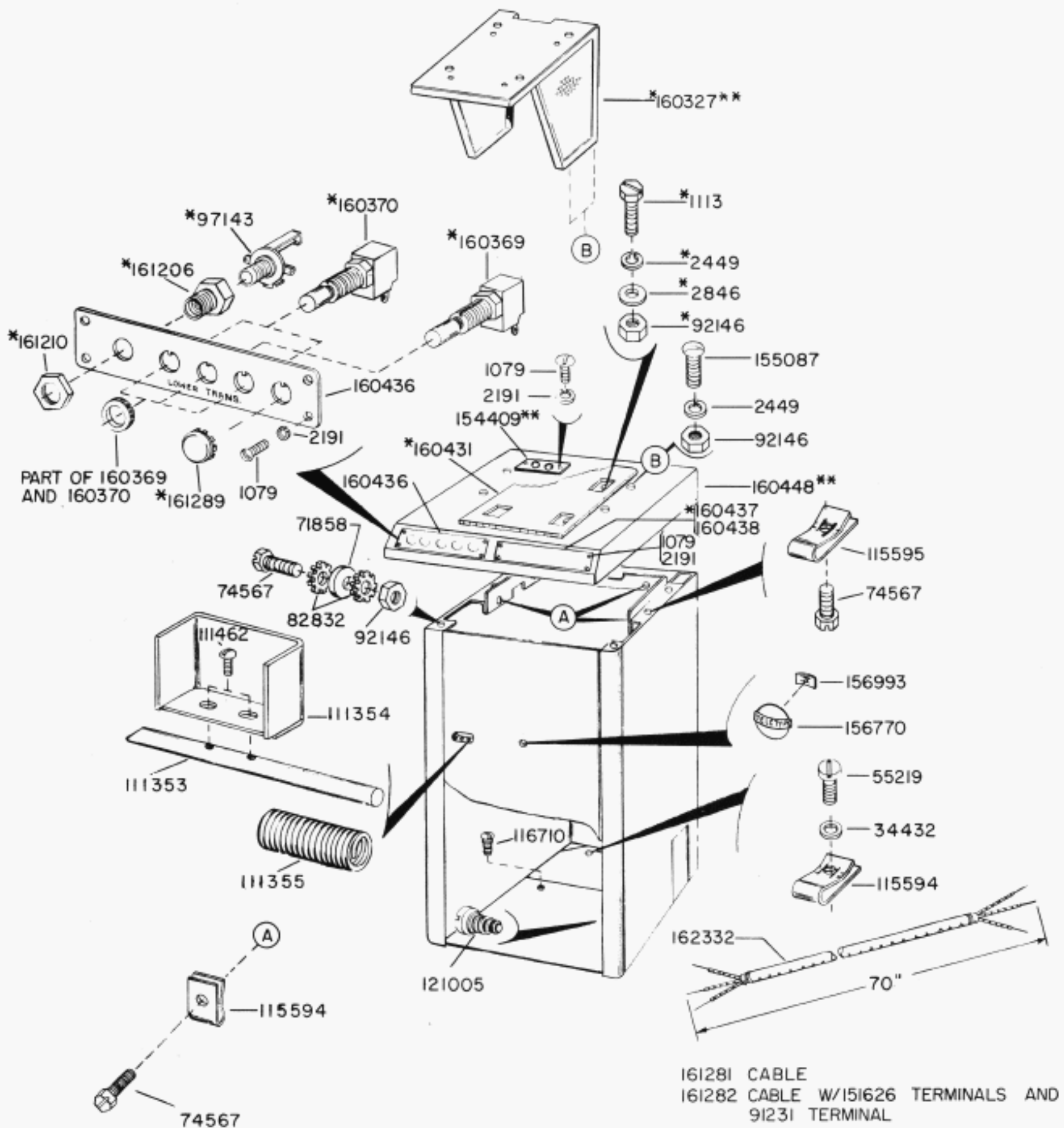
FIGURE 4-2 COVER FOR MULTIPLE MOUNTED UNITS

NUMERICAL INDEX - SECTION 4

Part Number	Description and Page Number
2191	Washer, Lock 4-3
3598	Nut (6-40 Hex) 4-3
3599	Nut (4-40 Hex) 4-3
3606	Nut (6-40 Hex) 4-3
7002	Washer, Flat 4-3
76099	Washer, Flat 4-3
85976	Washer, Flat 4-3
111345	Bolt, Latch 4-3
111346	Spring, Latch Bolt 4-3
151616	Screw, Self Tapping 4-2
154346	Plate, Instruction 4-2
154399	Plate, Identification (Bell System) 4-2, 4-3
156770	Plate, Identification (Teletype) 4-2, 4-3
156779	Plunger, Cover Plate Detent 4-3
156993	Nut, Speed 4-2, 4-3
158515	Bracket, Detent 4-3
158516	Rod, Plunger Guide 4-3
158517	Spring, Detent (cover) 4-3
158580	Plate 4-2
158590**	Panel Snap 4-2
158624**	Cover 4-2
158649	Screw, Thumb (4-40) 4-3
162083**	Plate, Cover 4-3
162091	Plate, Spacing 4-3
162421**	Panel W/Latch 4-3
162422	Strip, Cover 4-3
162423	Strip, Cover 4-3
162424	Plate, Spring 4-3
162429**	Cover W/Studs 4-3
176292**	Panel W/Latch 4-3

SECTION 5

CABINETS



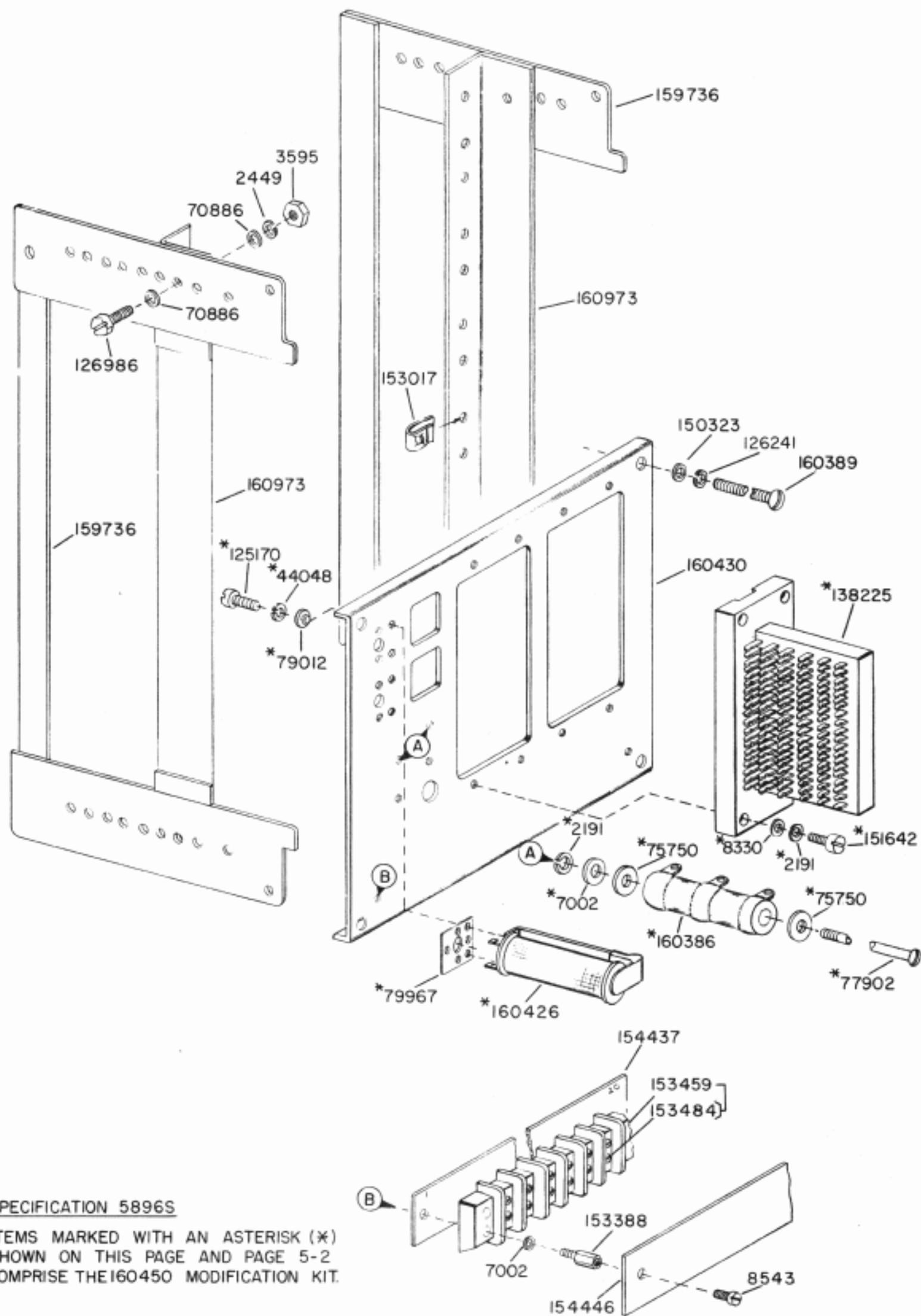
161281 CABLE
 161282 CABLE W/151626 TERMINALS AND
 91231 TERMINAL

SPECIFICATION 5896S

ITEMS MARKED WITH AN ASTERISK (*)
 SHOWN ON THIS PAGE AND PAGE 5-3
 COMPRISE THE 160450 MODIFICATION KIT.

** REFER TO CHART ON PAGE C FOR FINISH SUFFIX

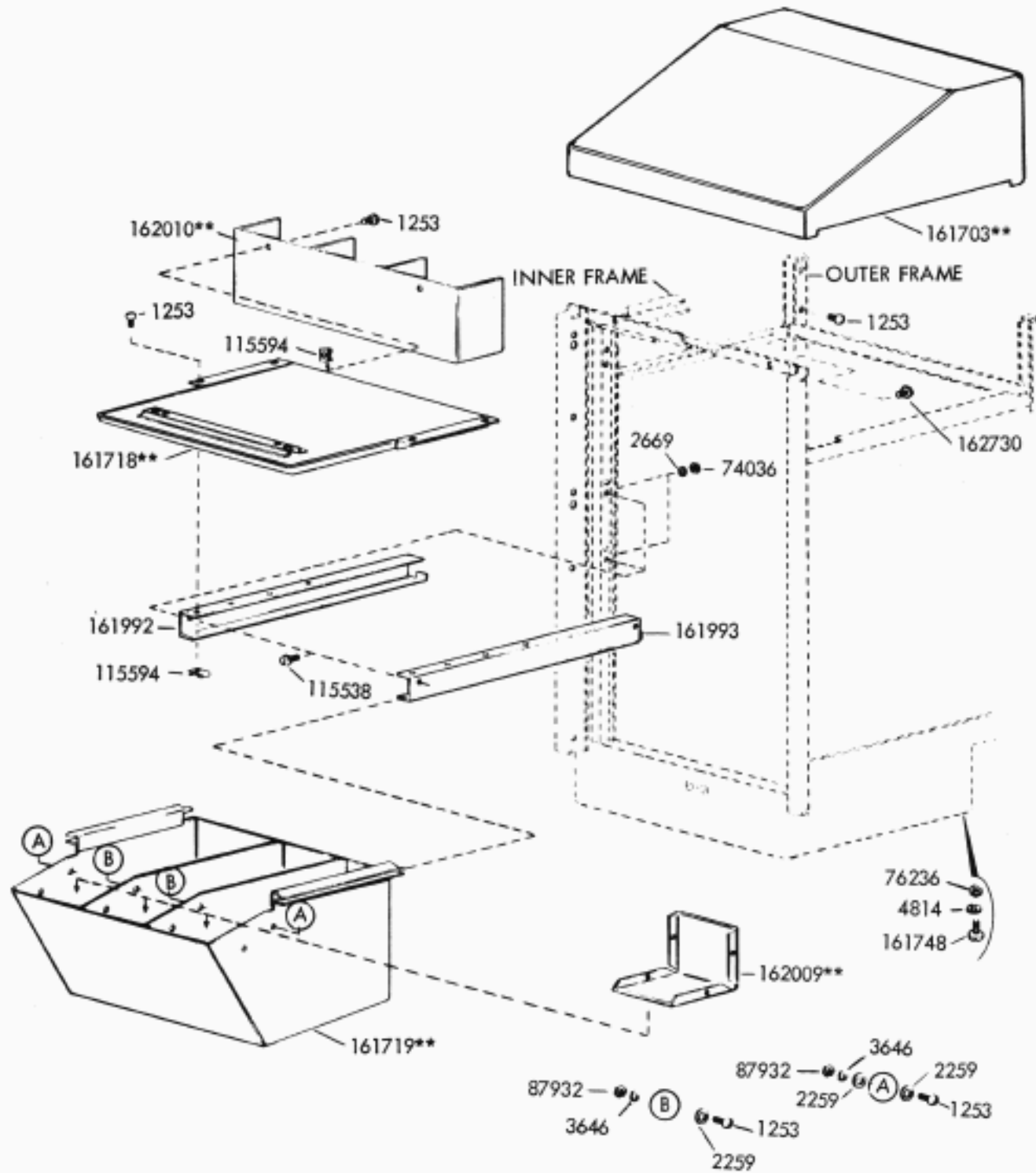
FIGURE 5-1. CABINET (TABLE TYPE)



SPECIFICATION 5896S

ITEMS MARKED WITH AN ASTERISK (*) SHOWN ON THIS PAGE AND PAGE 5-2 COMPRISE THE 160450 MODIFICATION KIT.

FIGURE 5-2. ELECTRICAL COMPONENTS FOR TABLE TYPE CABINET



** Refer to chart on page C for finish suffix.

FIGURE 5-3. CABINET SHELVES AND TAPE BIN

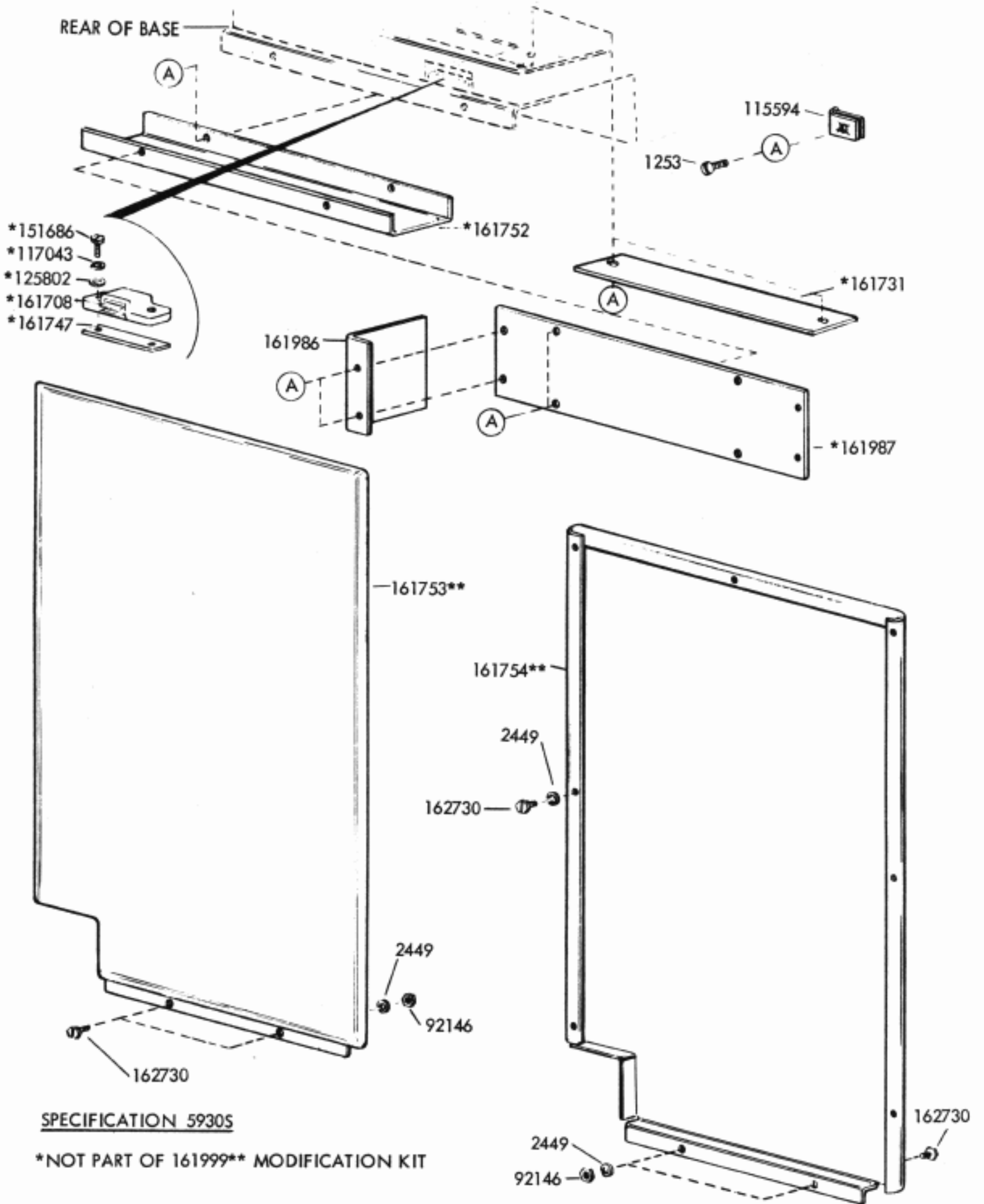
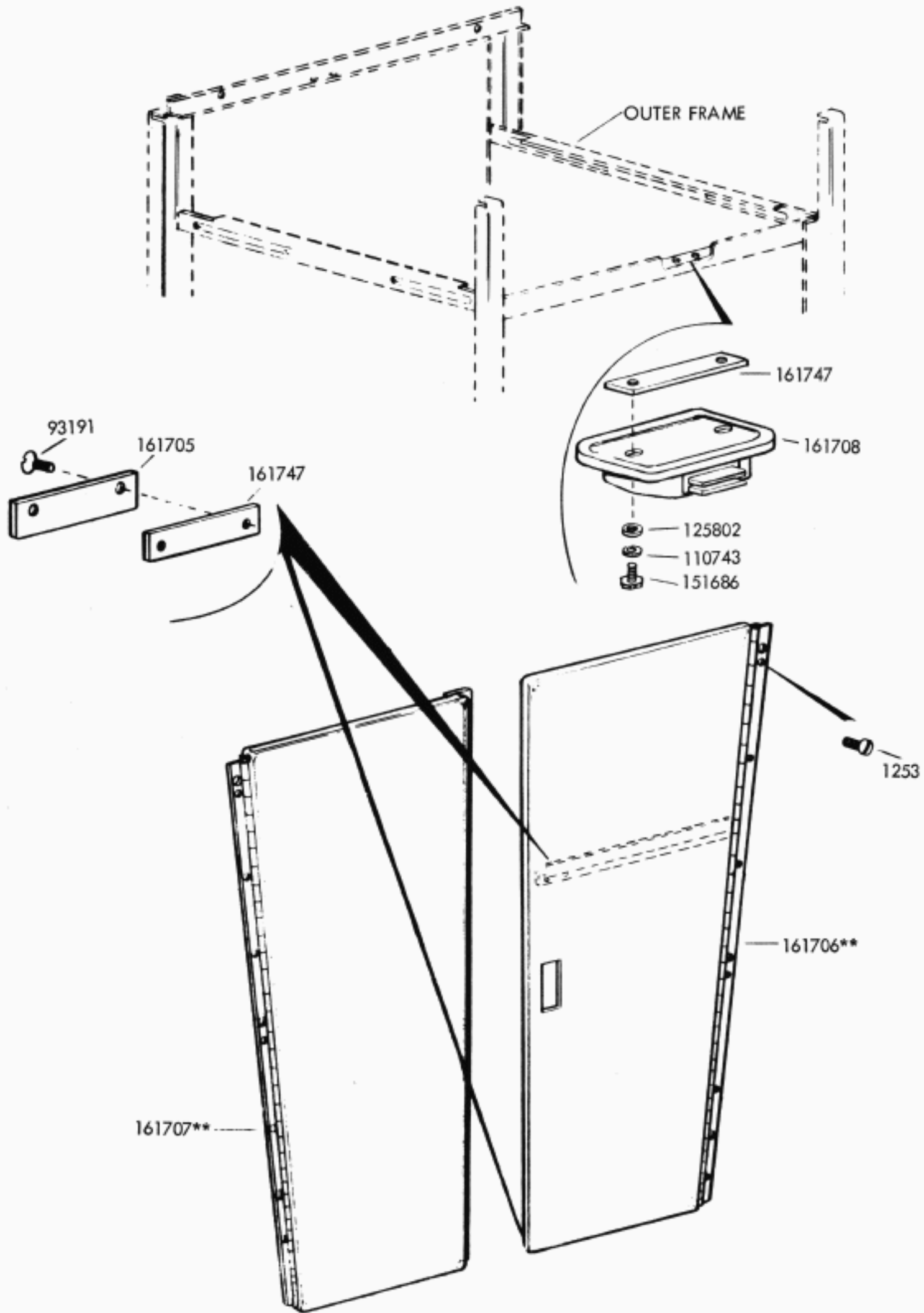


FIGURE 5-4. 161999** MODIFICATION KIT TO PROVIDE END ENCLOSURES FOR MODEL 28 UNIVERSAL CABINET



** Refer to chart on page C for finish suffix.

FIGURE 5-5. REAR DOORS AND LATCH MECHANISM

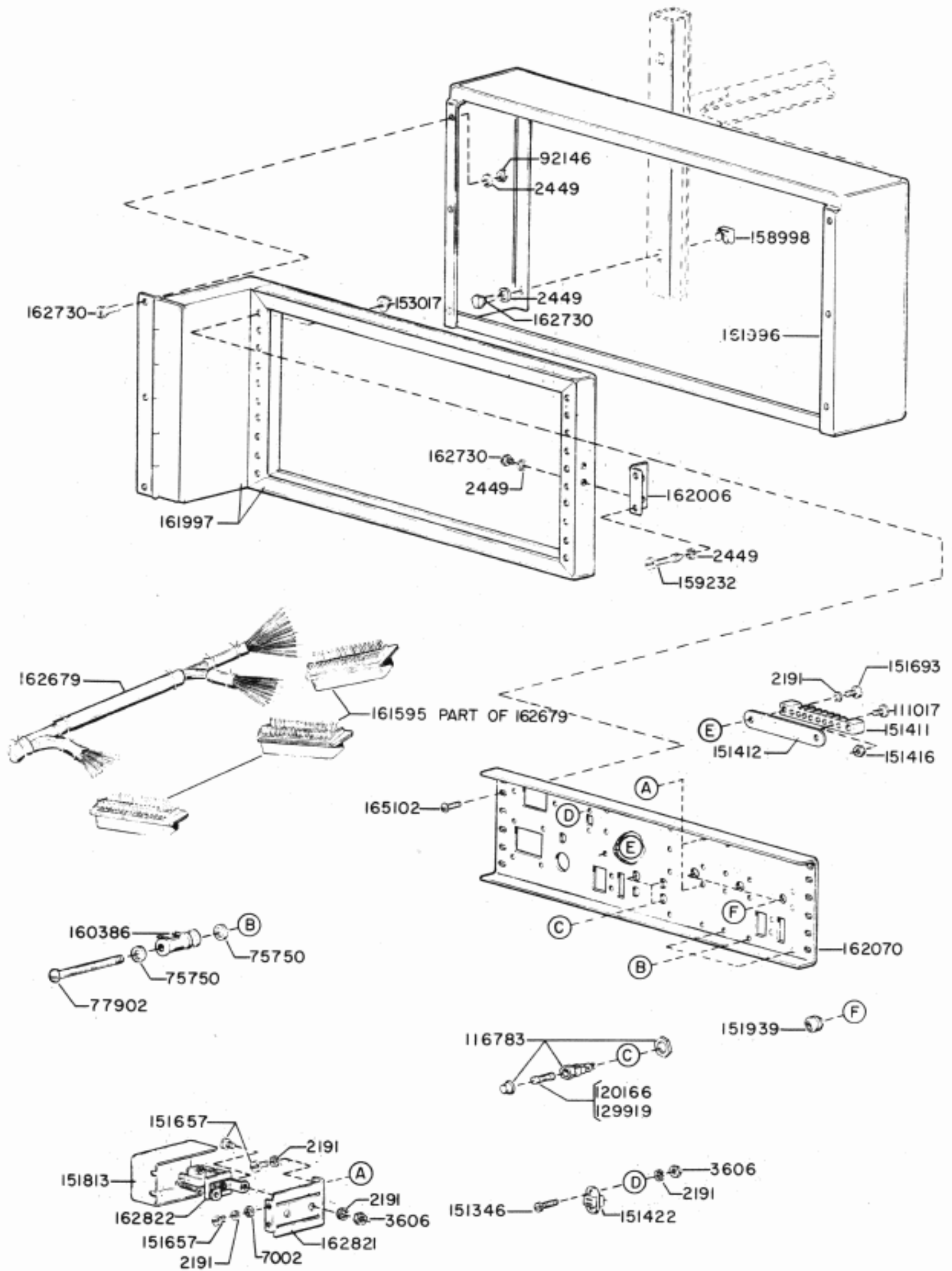


FIGURE 5-6. ELECTRICAL COMPONENTS

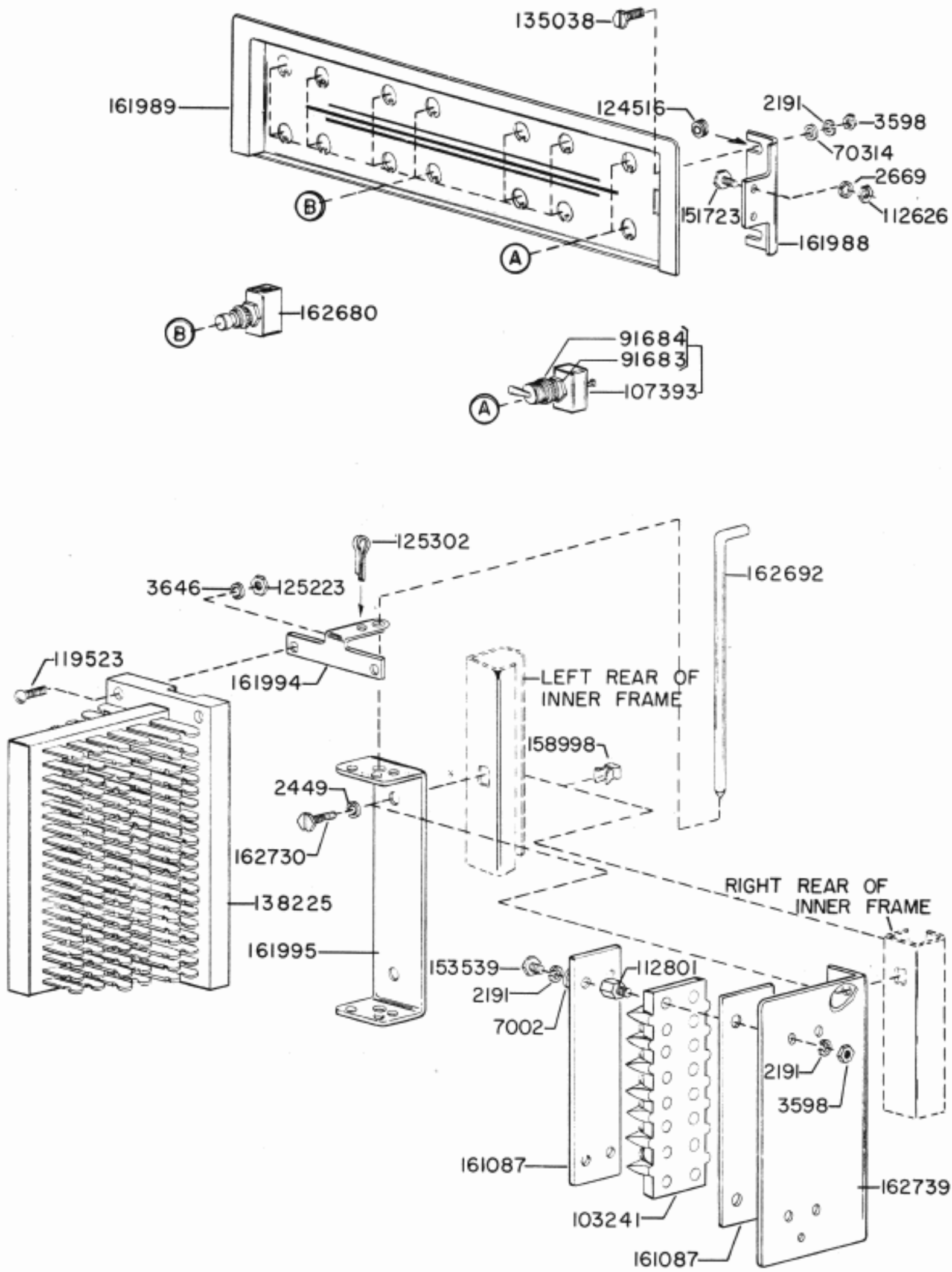


FIGURE 5-7. ELECTRICAL COMPONENTS

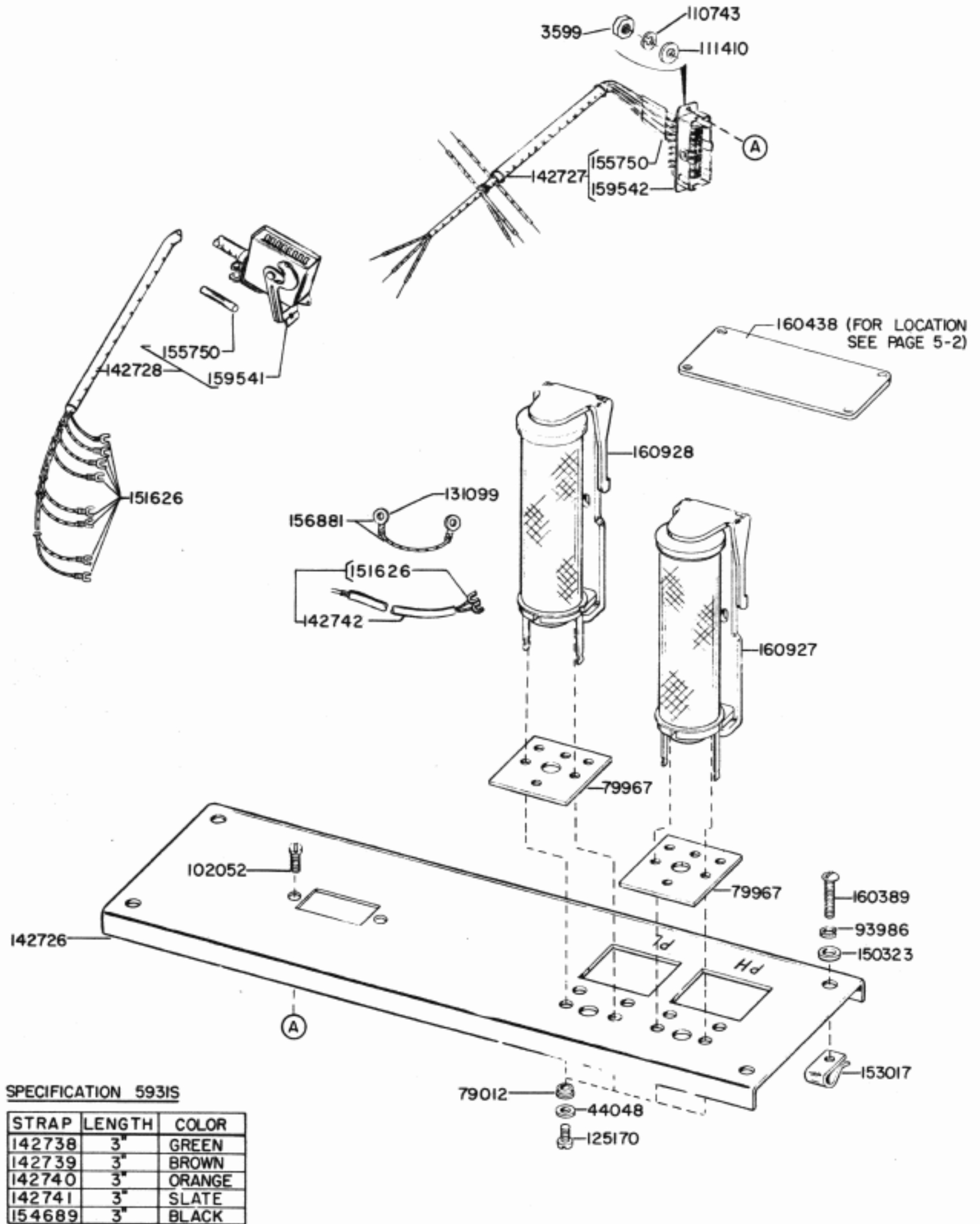


FIGURE 5-8. 142553 MODIFICATION KIT TO ADD RELAY CONTROL GROUP

NUMERICAL INDEX - SECTION 5

Part Number	Description and Page Number	Part Number	Description and Page Number	Part Number	Description and Page Number
1079	Screw (6-32 x 5/16 Rd) 5-2	125170	Screw (8-32 x 5/16 Fil) 5-3,5-9	160430	Plate, Mounting 5-3
1113	Screw (1/4-20 x 7/8 Hex) 5-2	125223	Nut (8-32 Hex) 5-8	160431	Pad, Felt 5-2
1253	Screw (8-32 x 1/4 Rd) 5-4,5-5,5-6	125302	Pin, Cotter 5-8	160436	Panel, Lower Transmitter Distributor 5-2
2191	Washer, Lock 5-2,5-3,5-7,5-8	125802	Washer, Flat 5-5, 5-6	160437	Panel, Upper Transmitter Distributor 5-2
2259	Washer, Flat 5-4	126241	Washer, Lock 5-3	160438	Plate, Blank 5-2,5-9
2449	Washer, Lock 5-2,5-3,5-5,5-7,5-8	126986	Screw (1/4-32 x 19/32 Hex) 5-3	160448**	Top, Table 5-2
2669	Washer, Lock 5-4,5-8	129919	Fuse (4 Amp) 5-7	160450**	Modification Kit to add double decked Transmitter Distributor to the AC 273 5-2,5-3
2846	Washer, Flat 5-2	131099	Terminal 5-9	160927	Relay 5-9
3595	Nut (1/4 Hex) 5-3	135038	Screw (6-40 x 9/16 Hex) 5-8	160973	Bracket W/Pads 5-3
3598	Nut (6-40 Hex) 5-8	138225	Block, Terminal 5-3, 5-8	161087	Insulator 5-8
3599	Nut (4-40 Hex) 5-9	142553	Modification Kit 5-9	161206	Insulator 5-2
3606	Nut (6-40 Hex) 5-7	142726	Plate, Mounting 5-9	161210	Nut (11/16-32 Hex) 5-2
3646	Washer, Lock 5-4, 5-8	142727	Cable W/Terminal 5-9	161281	Cable (Transmitter Distributor) 5-2
4814	Washer, Lock 5-4	142728	Cable W/Terminal 5-9	161282	Cable (Cabinet) 5-2
7002	Washer, Flat 5-3, 5-7, 5-8	142738	Strap 5-9	161289	Button, Plug (Cabinet) 5-2
8330	Washer, Flat 5-3,	142739	Strap 5-9	161595	Connector, Receptical 5-7
8543	Screw (6-40 x 1/4 Fil) 5-3	142740	Strap 5-9	161703**	Cover, Tape 5-4
34432	Washer, Flat 5-2	142741	Strap 5-9	161705	Strike, Fastener 5-6
44048	Washer, Flat 5-3,5-9	142742	Cable 5-9	161706**	Door, Rear Right 5-6
55219	Screw (8-32 x 3/8 Fil) 5-2	150323	Washer, Flat 5-3, 5-9	161707**	Door, Rear Left 5-6
70314	Washer, Flat 5-8	151346	Screw (6-40 x 3/8 Fil) 5-7	161708	Latch, Magnetic 5-5, 5-6
70886	Washer, Flat 5-3	151411	Block, Terminal 5-7	161718**	Shelf 5-4
71858	Washer, Flat 5-2	151412	Insulator 5-7	161719**	Bin, Tape 5-4
74036	Nut, Shoulder (10-32) 5-4	151416	Nut (6-40 Hex) 5-7	161731	Plate, Cover 5-5
74567	Screw (1/4-20 x 33/64 Hex) 5-2	151422	Connector Receptacle 5-7	161747	Plate, Nut 5-5, 5-6
75750	Washer, Insulating 5-3, 5-7	151626	Terminal 5-2, 5-9	161748	Screw (5/16-18 Flat) 5-4
76236	Nut (5/16-18 Hex) 5-4	151642	Screw (6-40 x 3/4 Fil) 5-3	161752	Channel, Duct 5-5
77902	Screw (6-40 x 2-3/8 Rd) 5-3,5-7	151657	Screw (6-40 x 1/4 Fil) 5-7	161753**	Panel, Left Side 5-5
79012	Bushing 5-3, 5-9	151686	Screw (4-40 x 3/8 Fil) 5-5, 5-6	161754**	Panel, Right Side 5-5
79967	Insulator 5-3, 5-9	151693	Screw (6-40 x 9/16 Fil) 5-7	161986	Cover, Duct 5-5
82832	Washer, Lock 5-2	151723	Screw (10-32 x 3/8 Hex) 5-8	161987	Plate, Duct 5-5
87932	Nut (8-32 Hex) 5-4	151813	Cover, Relay 5-7	161988	Bracket, Mounting 5-8
91231	Terminal 5-2	151939	Grommet, Rubber 5-7	161989	Panel, Control 5-8
91683	Nut (15/32-32 Hex) 5-8	153017	Nut, Lock 5-3,5-7,5-9	161992	Channel, Mounting-Left 5-4
91684	Nut (15/32-32 Ring) 5-8	153388	Stud 5-3	161993	Channel, Mounting-Right 5-4
92146	Nut (1/4-20 Hex) 5-2,5-5,5-7	153459	Block W/Screws, Terminal 5-3	161994	Bracket 5-8
93986	Washer, Lock 5-9	153484	Screw (6-32 x 1/4 Rd) 5-3	161995	Bracket, Terminal Block 5-8
97143	Jack 5-2	153539	Screw (6-40 x 11/16 Hex) 5-8	161996	Frame, Mounting 5-7
102052	Screw (4-40 x 9/32 Fil) 5-9	154409**	Plate 5-2	161997	Frame, Mounting Rock 5-7
103241	Block, Terminal 5-8	154437	Insulator 5-3	161999**	Modification Kit 5-5
107393	Switch, Toggle 5-8	154446	Cover 5-3	162006	Bracket, Mounting 5-7
110743	Washer, Lock 5-5,5-6,5-9	154689	Jumper 5-2, 5-9	162009**	Divider, Tape Bin 5-4
111017	Screw (6-40 x 5/16 Rd) 5-7	155087	Screw (1/4-20 x 7/16 Rd) 5-2	162010**	Guide 5-4
111353	Bolt, Latch 5-2	155750	Sleeve, Insulating 5-9	162070	Plate, Mounting 5-7
111354	Bracket 5-2	156770	Plate, Identification (Teletype) 5-2	162332	Cable, Motor 5-2
111355	Spring 5-2	156881	Scrap W/Terminal 5-9	162679	Cable W/6 Connectors 5-7
111410	Washer, Flat 5-9	156993	Nut, Speed 5-2	162680	Switch, Push 5-8
111462	Screw (4-40 x 1/2 Rd) 5-2	158998	Retainer, Speed Grip Nut 5-7,5-8	162692	Pin, Hinge 5-8
112626	Nut (10-32 Hex) 5-8	159232	Screw (1/4-20 x 1-15/16 Fil) 5-7	162730	Screw (1/4-20 x 7/16 Hex) 5-4,5-5 5-7, 5-8
112801	Stud 5-8	159541	Connector, Plug 5-9	162739	Bracket 5-8
115538	Screw (10-32 x 5/6 Hex) 5-4	159542	Connector, Receptacle 5-9	162821	Bracket 5-7
115594	Nut, Speed (8-32) 5-2,5-4,5-5	159736	Bracket 5-3	162822	Relay 5-7
115595	Nut, Speed (1/4-20) 5-2	160327**	Bracket, Mounting 5-2	165102	Screw (12-24 x 3/8 Rd) 5-7
116710	Screw (#6 Self tapping) 5-2	160369	Switch, Push 5-2		
116783	Holder, Fuse 5-7	160370	Switch, Push 5-2		
119523	Screw (8-32 x 3/4 Hd) 5-8	160386	Resistor (1000 Ohms) 5-3,5-7		
120166	Fuse (2 Amp) 5-7	160389	Screw (12-24 x 1-1/4 Rd) 5-3, 5-9		
121005	Screw (#6 Self Tapping) 5-2	160426	Relay 5-3		
124516	Grommet, Rubber 5-8				

SECTION 6

NOTES OF EXPLANATION

NOTES OF EXPLANATION

- NOTE 1: The 160645 Tape Guide Plate and 160647 Tape Lid are required when the Unit is equipped with the special 160646 Tape-Out Pin w/sleeve (See Figure 2-6).
- NOTE 2: The 161291 Bushing replaces the 156673 Bail and 104751 Spring when the Free Wheeling Position is not required.
- NOTE 3: Early Design and Late Design parts cannot be exchanged individually. They must be exchanged as a group only.
- NOTE 4: The 158810 Latch Bail, 158812 Pusher Bail and 158819 Pivot Shaft are no longer available. Orders received for these parts will be filled with a 164568 Modification Kit to provide field replacement for Latch Bail, Pusher Bail and Shaft.
- NOTE 5: The 160646 Tape-Out Pin w/sleeve is used with the 160645 Tape Guide Plate and 160647 Tape Lid (See Figure 2-2).
- NOTE 6: The 170776 Eccentric Shaft is used on units equipped with the 170763 Distributor Cam Sleeve (See Figure 2-9).
- NOTE 7: To enable "gang series" mounting of the LBXD Transmitter Distributors and eliminate the need for stocking several castings, the Early Design 158820 Main Casting was modified to eliminate the two "ears" which were used to mount the Main Casting to the base. Part number 161482 has been assigned to the Late Design casting. When replacing the Early Design 158820 Main Casting with the Late Design 161482 Main Casting, the following parts are required: (1) 162470 Adaptor Plate, (2) 2669 Lock Washers and (2) 113844 Screws. The (2) 158566 Bushings were replaced by (2) 158581 Bushings.
- NOTE 8: Parts marked "Ref." or with an asterisk (*) are not included in the Modification Kits. Asterisked items are of a later design than those previously used on the Units and are required when modifying an earlier design Transmitter Distributor for Multiple Mounting.
- NOTE 9: Parts marked (#) are peculiar to 8 level units.
- NOTE 10: The 159241 Distributor Cam Sleeve replaces the 158842 Distributor Cam Sleeve which is no longer available.
- NOTE 11: Peculiar to motor units used in conjunction with 8 level units.
- NOTE 12: The 174455 Feed Pawl Assembly replaces the 158508 Feed Pawl Assembly which is no longer available.
- NOTE 13: 161587 Modification Kit is used when Transmitter Distributors operate at a common speed and 174067 Modification Kit is used when Transmitter Distributor operates at independent speeds.

SECTION 7

MASTER NUMERICAL INDEX

1165B
MASTER
NUMERICAL INDEX

Part Number	Page	Part Number	Page	Part Number	Page	Part Number	Page
252M	2-16	76236	5-4	111354	5-2	126986	5-3
257M	2-16	76275	2-8	111355	5-2	128836	1-5
1079	5-2	76333	2-17	111409	1-8	128874	3-2
1113	5-2	76471	1-7	111410	5-9	129919	1-8, 2-7
1181	3-4	76474	2-11	111462	5-2	131099	2-12, 2-18, 5-9
1253	5-4, 5-5, 5-6	77902	1-8, 5-3, 5-7	112091	2-16	131228	1-4
2034	2-16	79012	1-4, 5-3, 5-9	112509	2-17	135003	2-19
2191	(Sev.)	79967	5-3, 5-9	112626	1-2, 1-5, 2-11, 2-18, 5-8	135038	5-8
2254	1-8	81895	2-4	112627	3-4, 3-5	135666	1-6
2259	5-4	82474	1-2, 1-5	112633	2-5	136448	2-19
2263	3-2	82547	2-5, 2-8, 2-17	112801	5-8	138225	5-3, 5-8
2449	1-5, 5-2, 5-3, 5-5, 5-7, 5-8	82548	2-5, 2-8, 2-17	112864	1-6	142553	5-9
2539	2-9, 2-10, 2-12	82832	5-2	112864	1-6	142726	5-9
2669	(Sev.)	84575	2-12	113844	2-12, 6-2	142727	5-9
2846	5-2	84579	1-6, 2-11, 2-19	114107	2-5	142728	5-9
3438	1-7	85318	2-6	114466	1-8	142738	5-9
3595	2-6, 5-3	85471	1-6	114467	1-8	142739	5-9
3598	(Sev.)	85559	2-6	115221	2-8	142740	5-9
3599	(Sev.)	85976	4-3	115253	1-5	142741	5-9
3606	2-4, 4-3, 5-7	86079	2-16	115538	5-4	142742	5-9
3624	3-4, 3-5	86959	2-5, 2-8	115594	5-2, 5-4, 5-5	144852	2-7
3640	(Sev.)	87334	3-2	115595	5-2	144853	2-11
3646	5-4, 5-8	87385	3-4	116710	5-2	144919	2-3
3870	2-16	87402	2-4	116783	1-8, 5-7	144944	2-3
4814	5-4	87932	5-4	119523	5-8	145347	2-3
5740	3-4, 3-5	90436	2-6	119647	2-3, 2-4	150013	2-9, 2-10
6320	3-6	90752	2-7	119648	2-3, 2-7, 2-12, 2-14, 2-15	150026	2-9, 2-10
6345	3-3, 3-6	90789	2-8	119649	2-3, 2-5, 2-16	150029	2-9, 2-10
6807	2-7	90790	2-16	119650	2-4	150040	2-9, 2-10, 3-2
6835	2-10	91198	2-16	119652	2-3, 2-7, 2-11	150043	2-9, 2-10
7002	(Sev.)	91228	3-4	119653	2-4, 2-16	150044	2-9, 2-10
7048	1-9	91229	3-4	119653	2-4, 2-16	150048	2-11
7634	2-16	91230	3-4	120166	5-7	150241	2-9, 2-10
8330	2-13, 5-3	91231	1-8, 3-4, 5-2	120489	2-4, 2-14	150323	5-3, 5-9
8449	3-2, 3-3, 3-6	91231	1-2, 1-3, 1-5, 5-8	120577	1-6	150432	1-6
8543	5-3	91683	1-2, 1-5, 5-8	120824	2-9, 2-10	150507	2-11
34432	1-5, 2-11, 2-18, 5-2	91684	1-2, 1-5, 5-8	120870	2-9, 2-10	150701	3-3
41382	2-3	91786	1-2	121005	5-2	150802	1-6
41668	1-8	91837	3-3	121125	2-16	150845	3-6
41675	2-3	92146	5-2, 5-5, 5-7	121242	1-5	150849	3-6
41732	2-8, 2-17	92260	3-3	121244	1-5	150850	3-6
42823	2-9, 2-10	93191	5-6	121246	1-5	150856	3-6
42827	2-15, 2-18	93356	2-16	121248	2-8	150857	3-6
44048	1-7, 5-3, 5-9	93587	2-8, 2-19	121575	1-6	150858	3-6
45026	1-5	93986	5-9	121790	2-14	150859	3-6
49056	1-5	95320	1-2	122200	3-3	150865	3-6
55219	5-2	97143	5-2	122201	3-2, 3-3	150866	3-6
60669	2-7	98642	3-3	122202	3-3	150868	3-6
61085	1-3, 2-12, 2-13, 3-4, 3-5	98712	3-6	122204	3-3	150869	3-6
70072	2-15, 2-18	98725	1-7	122205	3-3	150872	3-6
70073	1-5	98726	1-3, 1-8, 2-12	122206	3-3	150873	3-3
70314	5-8	98832	2-13	122208	3-3	150877	3-6
70388	2-4	100732	1-7	122210	3-3	150879	3-6
70878	2-3	100743	3-5	122211	3-2, 3-3	150880	3-3
70886	5-3	100832	1-5	122220	3-2, 3-3	150881	3-3
71266	1-2	101633	1-2	122221	3-3	150882	3-3
71858	1-9, 5-2	101783	1-2	122229	3-2	150884	3-3
71999	3-2, 3-3	102052	5-9	122233	3-3	150885	3-3
72522	2-6	102092	2-6	122245	3-2	150886	3-3
72596	1-8	103241	5-8	122249	3-2	150923	2-7, 2-11
73175	2-9, 2-10	104124	1-5	122251	3-2	150949	1-5
73374	3-5	104451	2-6	122252	3-2	150950	1-5
74014	2-18	104751	2-3, 6-2	122253	3-3	150976	3-2, 3-5
74036	5-4	105028	2-16	123769	3-2	150980	3-5
74059	1-5	106047	1-8	124396	1-2	150995	3-5
74100	1-7	107393	1-5, 5-8	124516	5-8	150997	3-6
74567	5-2	110126	1-7	125011	(Sev.)	151103	2-11
74707	2-7	110334	2-4	125015	1-4	151113	1-2
74728	2-17	110437	2-17	125143	3-3	151152	(Sev.)
74805	1-2	110743	(Sev.)	125170	1-4, 5-3, 5-9	151246	2-10
74807	2-15	111017	1-2, 1-5, 5-7	125223	5-8	151335	1-5
75750	1-8, 5-3, 5-7	111062	3-3	125244	1-5	151346	1-4, 2-10, 3-3, 5-7
76099	3-4, 4-3	111342	2-4	125252	2-7	151395	2-4
		111345	4-3	125302	5-8	151411	1-2, 1-5, 5-7
		111346	4-3	125802	2-8, 5-5, 5-6	151412	1-2, 1-5, 5-7
		111353	5-2	126241	5-3		

1165B
MASTER
NUMERICAL INDEX (Continued)

Part Number	Page	Part Number	Page	Part Number	Page	Part Number	Page
151414	1-5	153031	3-3	156857	2-4	158622	2-6
151416	1-2, 1-5, 5-7	153049	3-2	156881	5-9	158624**	4-2
151422	5-7	153101	3-3	156993	4-2, 4-3, 5-2	158625	2-3
151442	1-5, 1-6	153102	3-3	157215	1-2	158626	2-3
151453	3-3	153103	3-3	158500	1-3	158627	2-3
151455	3-3	153114	3-3	158502	2-5	158649	4-3
151606	1-2	153388	5-3	158505	2-8	158715	2-10
151610	1-8, 2-16	153441	1-8	158506	2-4	158751	2-16
151616	4-2	153442	1-5	158508	6-2	158752	2-16
151620	3-2, 3-3	153459	5-3	158513	2-2	158753	2-16
151621	3-2, 3-3	153484	5-3	158514	2-2	158754	2-16
151622	3-2, 3-3	153537	1-6	158515	2-2, 4-3	158757	2-16
151626	(Sev.)	153538	2-6	158516	2-2, 4-3	158758	2-16
151630	(Sev.)	153539	5-8	158517	2-2, 4-3	158760	2-16
151631	(Sev.)	153592	2-17	158521	2-2	158761	2-16
151632	(Sev.)	153817	1-3	158522	2-7	158762	2-16
151633	2-9, 2-10	153819	1-5	158526	2-7	158763	2-16
151634	1-6	153839	1-6	158527	2-7	158766	2-13
151637	2-19, 3-2, 3-6	154335	2-9, 2-10	158528	2-13	158767	2-13
151638	2-10	154346	4-2	158529	2-4	158768	2-13
151642	3-3, 5-3	154375	3-6	158531	2-4	158770	2-13
151657	1-5, 3-3, 5-7	154399	4-2, 4-3	158533	2-4	158771	2-12
151658	2-10, 3-3	154409**	5-2	158535	2-4	158777	2-13
151659	1-6, 3-6	154437	5-3	158536	2-4	158778	2-12
151661	3-3, 3-5, 3-6	154446	5-3	158539	2-8	158779	2-12
151678	1-2	154689	5-2, 5-9	158540	2-8, 2-19	158780	2-12
151686	2-14, 3-2, 5-5, 5-6	154694	2-9, 2-10	158542	2-7	158781	2-13
151687	2-14	155087	5-2	158551	2-10	158785	2-13
151692	1-4, 2-6, 2-18	155235	1-5	158552	2-9	158786	2-7, 2-11
		155549	2-14	158553	2-10	158788	1-4, 2-9, 2-10
		155551	1-4	158554	2-6	158789	2-6
151693	1-2, 2-13, 5-7	155724	2-14	158555	1-4	158794	2-9, 2-10
151714	2-15	155725	2-14	158556	2-11	158795	2-9, 2-10
151715	2-3	155750	2-17, 5-9	158557	2-8	158797	2-9, 2-10
151721	2-13	155751	1-4	158559	2-8	158805	2-7
151722	(Sev.)	155752	1-3, 2-19, 2-13	158560	2-6	158810	2-7, 6-2
151723	1-2, 1-5, 1-6, 2-18, 5-8	155753	1-5	158561	2-6, 2-8	158812	2-7, 6-2
151724	2-12, 2-18	155754	2-18	158562	1-2	158816	2-8, 2-17
151728	2-9, 2-10	155755	1-8	158563	1-2	158819	2-7, 6-2
151731	2-17	155954	1-8	158564	1-2	158820	6-2
151733	2-5, 2-8	156226	2-10	158565	1-2	158822	2-6
151737	2-9, 2-10, 2-16, 2-17	156334	1-5	158566	2-12, 6-2	158829	2-11
151795	3-2	156549	2-3	158567	1-2	158830	2-11
151813	5-7	156551	2-3	158568	1-2	158831	2-11
151827	1-8	156553	2-3	158569	1-4	158832	2-11
151846	2-4	156555	2-3	158570	1-4	158833	2-11
151880	1-3, 2-3, 2-7, 2-8, 2-13	156556	2-2, 2-3	158571	1-4	158834	2-11
		156558	2-3	158572	1-3	158837	2-10
151920	3-2	156559	2-3	158573	1-2	158839	2-9
151922	3-2	156560	2-3	158575	1-3	158842	2-10, 6-2
151923	3-2	156561	2-3	158576	2-6	158846	2-8
151924	3-2	156577	2-4	158579	1-2	158847	2-9, 2-10
151925	3-2	156626	1-4	158580	4-2	158848	2-11
151926	3-2	156627	1-4	158581	2-12, 6-2	158849	2-11
151927	3-2	156628	1-4	158583	2-4	158850	2-9, 2-10
151939	5-7	156629	1-4	158585	2-8	158852	2-7
152034	3-4	156636	2-8	158586	1-3	158853	2-14, 2-15
152035	3-4	156647	2-3	158587	2-12	158854	2-14
152037	3-4	156656	1-5	158588	2-12	158859	2-6, 2-12
152039	3-4	156658	1-4	158589	1-2	158860	2-6
152040	3-4	156659	1-4	158590**	4-2	158868	2-14, 2-15
152044	3-4	156673	2-3, 6-2	158592	1-2	158869	2-14, 2-15
152046	3-4	156725	1-4	158593	1-2	158870	2-14
152058	3-4	156726	1-4	158594	1-4	158871	2-14
152059	3-4	156728	1-4	158595	1-4	158872	2-14
152067	3-4	156758	1-5	158596	2-10	158873	2-14
152078	3-4	156769	1-5	158601	1-3	158874	2-14
152297	3-2	156770	4-2, 4-3, 5-2	158602	2-12, 2-13	158875	2-14
152441	1-8, 2-7, 2-11	156779	2-2, 4-3	158606	1-4	158880	2-10
152459	3-4, 3-5	156782	2-8, 2-19	158610	1-3	158882	2-13
152495	3-6	156805	1-4, 1-6	158614	2-13	158883	2-13
152893	(Sev.)	156806	1-4, 1-6	158615	2-13	158887	2-14
153017	5-3, 5-7, 5-9	156807	1-4	158616	2-12	158888	2-14
153030	3-2, 3-3	156808	1-4	158617	2-12	158895	2-9, 2-10
		156811	2-3	158618	2-13	158896	2-16
				158619	1-3	158898	2-9
				158620	1-3	158899	2-17
						158900	2-17

1165B
MASTER
NUMERICAL INDEX (Continued)

Part Number	Page	Part Number	Page	Part Number	Page	Part Number	Page
158926	2-9, 2-10	161206	5-2	161993	5-4	170954	2-15
158998	5-7, 5-8	161210	5-2	161994	5-8	170955	2-15
159078	2-14	161281	5-2	161995	5-8	170956	2-15
159094	2-14	161282	5-2	161996	5-7	171554	1-8
159095	2-14	161287	1-4	161997	5-7	171555	1-8
159097	2-14	161288	1-4	161999**	5-5	172061	2-15
159232	5-7	161289	5-2	162006	5-7	172264	2-15
159241	2-10, 6-2	161290	1-4	162009**	5-4	172767	1-10
159287	1-9	161291	2-3, 6-2	162010**	5-4	172768	1-10
159293	2-4	161301	1-9	162033	1-6, 1-10	172769	1-10
159313	2-6	161325	2-7	162034	1-10, 2-18	172770	1-10
159347	2-4	161326	2-7	162035	1-10	172771	1-10
159541	5-9	161328	2-7	162036	1-10	172772	1-10
159542	5-9	161349	2-18	162037	1-10	172773	1-10
159736	5-3	161351	1-4	162038	1-10	172774	1-10
159738	2-5	161352	1-4	162039	1-10	172775	1-10
159800	2-13	161358	1-4	162040	1-10	172776	1-10
159804	2-14	161440	2-3	162041	1-10	172777	1-10
159868	2-17	161482	2-12, 6-2	162042	1-10	172778	1-10
159869	2-17	161483	2-18	162043	1-10	172823	1-7
160327**	5-2	161508	1-6	162044	1-10	172824	1-7
160369	5-2	161512	1-6	162070	5-7	172825	1-7
160370	1-3, 5-2	161513	1-6	162080	1-5	172826	1-7
160386	1-8, 5-3, 5-7	161514	1-6	162081	1-5	172827	1-7
160389	5-3, 5-9	161539	1-5	162083**	4-3	172828	1-7
160398	2-5	161541	1-5	162091	4-3	172829	1-7
160399	2-5	161542	1-5	162094	1-6	172830	1-7
160400	2-5	161543	1-5	162212	1-5	172832	1-8
160401	2-5	161544	1-5	162332	5-2	172833	1-8
160402	2-5	161545	1-5	162354	2-6	172834	1-8
160403	2-17	161546	1-5	162421**	4-3	172835	1-8
160404	2-17	161547	1-5	162422	4-3	172836	1-8
160426	1-4, 5-3	161548	1-5	162423	4-3	172837	1-8
160427	1-4	161549	1-5	162424	4-3	172838	1-8
160428	1-4	161552	1-5	162429**	4-3	172839	1-8
160430	5-3	161556	1-5	162470	2-12, 6-2	172840	1-8
160431	5-2	161557	1-5	162476	2-13	172841	1-8
160436	5-2	161558	1-6	162592	2-19	172842	1-8
160437	5-2	161560	2-18	162679	5-7	172843	1-8
160438	5-2, 5-9	161562	2-19	162680	5-8	172845	1-9
160448**	5-2	161563	1-6	162692	5-8	172846	1-9
160450**	5-2, 5-3	161564	1-6	162730	5-4, 5-5, 5-7,	172847	1-8
160455	2-16	161565	2-18		5-8	172848	1-8
160456	1-3	161566	2-18	162739	5-8	172849	1-8
160544	2-4	161568	1-5	162821	5-7	172850	1-8
160545	2-4	161569	1-5	162822	5-7	172852	1-7
160546	2-4	161570	1-6	162861	3-5	172853	1-7
160548	2-4	161571	1-5	163011	2-6	172869	1-8
160549	2-5	161572	1-5	163012	2-9, 2-10	172938	3-4
160551	2-5	161578	3-4	163013	1-9	173589	1-10
160552	2-5	161579	3-4, 3-5	163014	1-9	173590	1-10
160556	2-5	161580	3-4, 3-5	163267	3-5	173591	1-10
160557	2-5	161581	2-18	163268	3-5	173592	1-10
160558	2-5	161582	2-19	163269	3-5	173593	1-10
160562	2-6	161585	2-19	163363	2-6	173594	1-10
160563	2-6	161587	2-18, 6-2	163630	2-17	173687	3-2
160564	2-6	161589	2-18	164110	2-10	174067	2-18, 6-2
160565	2-6	161594	2-15, 2-18	164112	2-15	174455	2-4, 6-2
160566	2-6	161595	1-8, 5-7	164116	1-8	174506	2-13
160583	2-8, 2-17	161596	2-18	164117	1-8	176389	2-2
160590	2-8, 2-17	161703**	5-4	164467	2-3	176390	2-2
160591	2-8	161705	5-6	164468	2-3	176419	1-6
160592	2-4	161706**	5-6	164469	2-3	178171	2-12
160593	2-5, 2-8, 2-17	161707**	5-6	164470	2-3	178366	1-10
160594	2-8	161708**	5-5, 5-6	164471	2-3	178367	1-10
160595	2-7	161718**	5-4	164479	3-5	178368	1-10
160596	2-7	161719**	5-4	164568	2-7, 6-2	178369	1-10
160645	2-3, 6-2	161731	5-5	165027	2-8, 2-16	178819	1-10
160646	2-7, 6-2	161747	5-5, 5-6	165102	5-7	178820	1-10
160647	2-3, 6-2	161748	5-4	170731	2-15	178821	1-10
160649	1-3	161752	5-5	170732	2-15	178822	1-10
160927	5-9	161753**	5-5	170733	2-15	178823	1-10
160928	5-9	161754**	5-5	170762	2-9	178824	1-10
160945	1-3	161837	2-16	170763	2-10, 6-2	179060	1-10
160946	1-3	161922	2-15	170776	2-11, 6-2	179061	1-10
160973	5-3	161923	2-15	170808	2-15	179212	1-10
161087	5-8	161986	5-5	170951	2-15	179213	1-10
161148	2-11	161987	5-5	170952	2-15	179214	1-10
161149	2-11	161988	5-8	170953	2-15		
		161989	5-8				
		161992	5-4				