



BULLETIN 1169B

PARTS

MODEL *28 Automatic*

SEND-RECEIVE SET (ASR)



TELETYPE[®]
CORPORATION

5555 TOUHY AVENUE, SKOKIE, ILLINOIS

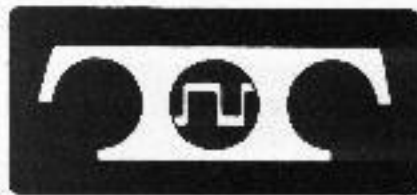


BULLETIN T169B

PARTS

MODEL *28 Automatic*

SEND-RECEIVE SET (ASR)



TELETYPE[®]
CORPORATION

5555 TOUHY AVENUE, SKOKIE, ILLINOIS

© 1958 and 1961 by Teletype Corporation in the United States. Copyright in all countries participating in the International Convention and Pan American Conventions. All rights reserved including rights of translation into all languages.

Printed in U.S.A.

LIST OF EFFECTIVE PAGES

NOVEMBER, 1963

(Supersedes January, 1962 Issue)

Page Number	Change In Effect
A to K	Change 8
1-1 thru 1-52	Change 8
2-1 thru 2-31	Change 8
3-1 thru 3-9	Change 8
4-1 thru 4-22	Change 8
5-1 thru 5-45	Change 8
6-1 thru 6-43	Change 8
7-1 thru 7-30	Change 8
8-1 thru 8-5	Change 8
9-1 thru 9-15	Change 8

The above list indicates the effective pages as of issue date. Upon receipt of Change Pages, insert them numerically and discard any superseded pages.

Components of the Model 28 Automatic Send-Receive Set (ASR) Covered in this Bulletin

KEYBOARD		LAK1, 2, 3, 4, 5, 7, 9, 10, 11, 15, 17, 18, 20, 21, 22, 23, 25, 26, 27, 28, 29, 30, 31, 32, 600, 601, 800, 801
PERFORATOR	Non-Typing Typing	LPE1, 2, 3, 4 LTPE1, 3, 4
TRANSMITTER DISTRIBUTOR BASE		LCXB1, 2, 3, 5, 6, 7, 8, 9, 10, 12, 13, 14, 15, 16, 17, 18
MOTOR		LMU3, 12, 14, 29, 39
CABINET		LAAC200**, 201**, 202**, 205**, 206**, 207**, 209**, 210**, 213**, 214**, 219**, 222**, 223**, 225**, 226**, 229**, 230**, 231**, 233**, 234**, 235**, 236**, 237**, 241**
COVER	Keyboard with Perforator	LBPC200**
ELECTRICAL SERVICE UNIT		LESU11, 13, 15, 21, 22, 25, 28, 29, 32, 33, 35, 36, 37, 40, 44, 47, 49, 53, 56, 57, 60, 61, 66, 68, 69, 70, 79, 82, 83, 94, 98

PAINT FINISH COLOR CODE CHART (For Parts and Assemblies Requiring a Paint Finish)				
Color	Finish Suffixes			
	Wrinkle	Smooth	Textured Vinyl	Smooth Vinyl
Black	AA (37)	BB		
Dark Brown	AD (38)			
Gray Green	AB (40)	BK	GA (45)	
Charcoal Gray	AL	BZ		HA
Dark Gray			GB	
Light Gray		EJ		HB
Beige Gray			GC	
Light Beige		EL		HC
Moss Green		EN		HD
Eye Rest Green		EA		
Turquoise		EV		
Aqua Blue		EK		
Brussels Light Blue		EC		
Med. Blue		ES		
Cherry Red		EF		
Pastel Yellow		EG		
White		EH		
Ivory		EM		
Beige		ET		
Rose Beige		ER		
Rose Pink		EU		
Dark Covert Gray				HE
Light Olive Gray		EW		HF (46)
Fawn				HG

Numbers in parenthesis () indicate BELL SYSTEM CODE.
Suffix to be applied following the Part Number.

TELETYPE TO BELL SYSTEM CODE REFERENCE CHART

Components of the MODEL 28 AUTOMATIC SEND-RECEIVE SET (ASR) covered in this Bulletin.			
CODES-DESCRIPTIONS (Teletype)		BELL SYSTEM CODES	
AUTOMATIC SEND-RECEIVE CABINET			
LAAC210**, LAAC235** LAAC209**, LAAC236** LAAC230** (Includes LFXD Transmitter Distributor Housing) LAAC233**		28F** 28G** 28LA** 28H**	
TRANSMITTER DISTRIBUTOR HOUSING			
150889** Modification Kit (LCXD Transmitter Distributor) 150890** Modification Kit (LAXD Transmitter Distributor) 150887** Modification Kit (LXD Transmitter Distributor) 150888** Modification Kit (LBXD Transmitter Distributor)		28B** 28C** 28E**, 28H** 28F**, 28G**	
AUTOMATIC SEND-RECEIVE KEYBOARD WITH PERFORATOR			
LAK23U	Keyboard plus LPE2 Perforator (Perforator Transmitter Base)	28A	
LAK4AR	Keyboard plus LPE1 Perforator (Perforator Transmitter Base)	283	
LAK4AR	Keyboard plus LPR33ARC Reperforator (Perforator Transmitter Base)	28D	
LAK4AR	Keyboard plus LTPE3ARC Perforator (Perforator Transmitter Base)	28E	
LAK4AR	Keyboard plus LRPE6 Reperforator (Perforator Transmitter Base)	28F	
LAK10ARC	Keyboard plus LPE3 Perforator (Perforator Transmitter Base)	28G	
LAK10ARC	Keyboard plus LTPE4ARC Perforator (Perforator Transmitter Base)	28G-1	
LAK20BRV	Keyboard plus LARP801 Reperforator (Perforator Transmitter Base)	28LA	
LAK27BRX	Keyboard plus LPE4 Perforator (Perforator Transmitter Base)	28F	
LAK39BRX	Keyboard plus LPE3 Perforator (Perforator Transmitter Base)	28J	
LAK40BRX	Keyboard plus LPE3 Perforator (Perforator Transmitter Base)	28J-1	
LAK20BRV	Keyboard plus LARP801 Reperforator (Perforator Transmitter Base)	28LA	
LAK4AR	Keyboard plus LPR56BRM Reperforator (Perforator Transmitter Base)	28K	
TRANSMITTER DISTRIBUTOR BASE			
LCXB2 (used with LCXD1 Transmitter Distributor)		28B	
LCXB3 (used with LAXD3 Transmitter Distributor)		28C	
LCXB1 (used with LXD3 Transmitter Distributor)		28E	
LCXB7 (used with LBXD5 Transmitter Distributor)		28F	
LCXB8 (used with LXD4 Transmitter Distributor)		28H	
LCXB9 (used with LBXD7 Transmitter Distributor)		28G	
LCXB8 + LD8 (used with LXD15 Transmitter Distributor)		28H-1	
LCXB10 + LD6 (used with LXD3 Transmitter Distributor)		28E-1	
LCXB10 + LD5 (used with LXD3 Transmitter Distributor)		28E-2	
LCXB16 (used with LXD5 Transmitter Distributor)		28H-2	
LCXB17 (used with LXD18 Transmitter Distributor)		28H-3	
ELECTRICAL SERVICE UNIT			
LESU11	28C	LESU56	28LA
LESU13	28F	LESU57	28LB
LESU15	28G	LESU66	28L
LESU27	28K	LESU82	28P
LESU32	28H	LESU83	28P-1
LESU33	28J	LESU86	28R
LESU35	28F-1	LESU87	28S
LESU36	28G-1		
MOTOR UNIT			
LMU3 (Synchronous Motor)		28A	
LMU12 (Synchronous Motor)		28C	
LMU14 (Governed Motor)		28D	
LMU29 (Governed Motor)		28E	
GEAR SETS			
164583	60 WPM (Includes 161293 Gear Set For LAK Keyboard and 158029 Gear Set For LCXB Base)	28D-1	
164584	75 WPM (Includes 161294 Gear Set For LAK Keyboard and 158028 Gear Set For LCXB Base)	28E-1	
164585	100 WPM (Includes 161295 Gear Set For LAK Keyboard and 158027 Gear Set For LCXB Base)	28F-1	
COPYHOLDER			
164024**	28A**	178897**	28C**
PAPER SUPPLY BOX			
152349**		28A**	

BELL SYSTEM ONLY

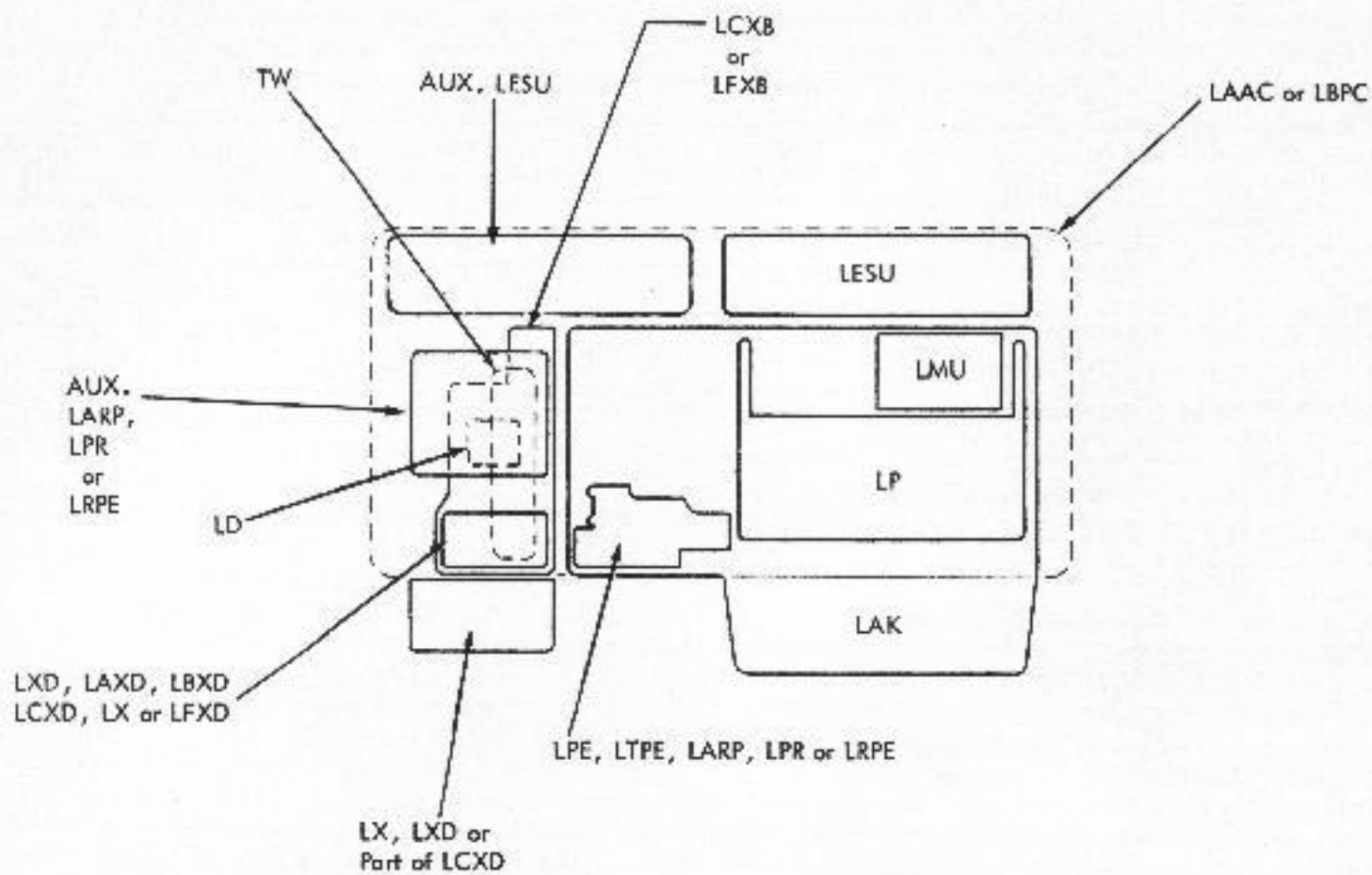
When ordering parts from this bulletin, prefix number with the letters TP.

The MODEL 2B AUTOMATIC SEND-RECEIVE SET (ASR)

is made up of a group of basic component units in various combinations. These include a keyboard, page printer, perforator (typing or non-typing), reperforator (typing or non-typing), transmitter distributor, transmitter distributor base, electrical service unit, console cabinet or cover and motor unit. The chart lists the bulletins covering the components of the ASR set: (P) parts order, (A & L) adjustments and lubrication and (D & T) description and principles of operation. (Bell System - refer to standardized A & L information).

BASIC UNITS	CODES-DESCRIPTIONS	BULLETINS		
		P	D & T	A & L
PAGE PRINTER	LP Typing Unit	1149B	216B	217B
KEYBOARD	● LAK Automatic Send-Receive Keyboard Base	1169B	249B	250B
PERFORATOR OR REPERFORATOR	● LPE Non-Typing Perforator	1169B	249B	250B
	● LTPE Typing Perforator	1169B	249B	250B
	LRPE Non-Typing Reperforator	1172B	255B	256B
	LPR Typing Reperforator	1167B	246B	247B
	LARP Multi-Magnet Reperforator	1166B	244B	245B
BASE	LFXB Transmitter Distributor Base	1182B		
	● LCXB Transmitter Distributor Base	1169B	249B	250B
COVER	● LBPC "Skin Tight" Automatic Send-Receive Cover	1169B		217B
TRANSMITTER	LX Transmitter	1161B		235B
TRANSMITTER DISTRIBUTOR	LXD Fixed Head, Single Contact Transmitter Distributor	1161B	258B	235B
	LAXD Pivoted Head, Multi-Contact Transmitter Distributor	1170B	251B	252B
	LBXD Fixed Head, Multi-Contact Transmitter Distributor	1165B	242B	243B
	LCXD Fixed Head and Pivoted Head, Multi-Contact Transmitter Distributor	1171B	253B	254B
	LFXD Tape Pull Back Transmitter Distributor	1182B		
DISTRIBUTOR	LD Multiple Wire Distributor	1159B	234B	234B
MOTOR	● LMU Motor Unit	1169B	249B	250B
ELECTRICAL SERVICE UNIT	● LESU Electrical Service Unit	1169B	249B	250B
CABINET	● LAAC Automatic Send-Receive Cabinet	1169B	249B	250B
KEYTOP WITH LEVER AND TYPEPALLETS	Murray, Gothic, Long Gothic Style Pallets	1164B		
(For gears used with the LARP, LPR or LRPE see appropriate bulletin)	<ul style="list-style-type: none"> ● 164583 60 W.P.M. (Includes 161293 Gear Set for LAK Keyboard and 158029 Gear Set for LCXB Base) ● 164584 75 W.P.M. (Includes 161294 Gear Set for LAK Keyboard and 158028 Gear Set for LCXB Base) ● 164585 100 W.P.M. (Includes 161295 Gear Set for LAK Keyboard and 158027 Gear Set for LCXB Base) 	1169B		250B

● Parts ordering information for these components is covered in this bulletin.



NOTES:

1. Installation instructions covering a typical ASR set - see specification 58735.
2. Tape winder - see bulletin 1075B for parts ordering information and specification 5884S for adjustments and lubrication.
3. Maintenance tools - see bulletin 1124B for ordering information.
4. Paper winder - see bulletin 1129B for parts ordering information and specification 514BS for installation and adjustments.
5. Codomat - see bulletin 1181B for parts ordering information.

TABLE OF CONTENTS

SECTION 1 - AUTOMATIC SEND-RECEIVE KEYBOARD (LAK)

Figure Number		Page Number	Figure Number		Page Number
1-1	Keyboard Base Parts	1-2	1-31	163531 Tape-Out Switch Assembly	1-29
1-2	Keyboard Base Parts	1-3	1-32	155990 Character Counter Assembly	1-30
1-3	154224 and 164234 Intermediate Gear Assemblies	1-4	1-33	178346 Modification Kit to Equip Keyboard with Answer-Back Control	1-31
1-4	144770 Intermediate Gear Assembly (Noise Reduction)	1-4	1-34	164659 (100MA) and 194425 (50MA) Modification Kits to Provide Synchronous Pulsed Transmission	1-32
1-5	Bearing Bracket Mechanism (Early Design)	1-5	1-35	154147 Modification Kit to Provide Local Paper Feed-Out Motor Starting Mechanism	1-33
1-6	144749 Bearing Bracket Assembly	1-6	1-36	154141 Modification Kit to Provide Electrical Signal Line Break Mechanism	1-33
1-7	Function Bail Mechanism	1-7	1-37	176405 Modification Kit to Add Tape Backspace Button	1-34
1-8	Local Reverse Line Feed Mechanism (8 Level)	1-8	1-38	163775 Modification Kit to Provide Repeat on Space Mechanism	1-34
1-9	Local Backspace Mechanism (5 and 8 Level)	1-8	1-39	162731 Modification Kit to Provide Keyboard with Time Delay Mechanism	1-35
1-10	Keylever Guide Plates	1-9	1-40	164502 (End of Message Generator) and 172945 (Answer-Back) Modification Kits - See Figs. 1-41, 1-42 and 1-43.	1-36
1-11	Keyboard Top Plates and Panel Assemblies	1-10	1-41	164502 (End of Message Generator) and 172945 (Answer-Back) Modification Kits - See Figs. 1-40, 1-42 and 1-43.	1-37
1-12	Keyboard Hood and Mounting Parts	1-11	1-42	164500 Resistor Assembly (Part of 164502 Modification Kit - See Figs. 1-40 and 1-41)	1-38
1-13	Code Bar Mechanism (5 Level)	1-12	1-43	172948 Resistor Assembly (Part of 172945 Modification Kit - See Figs. 1-40 and 1-41)	1-38
1-14	Code Bar Mechanism (6 and 8 Level)	1-13	1-44	164426 Modification Kit to Add Horizontal Tab Disabler	1-39
1-15	Contact Assemblies	1-14	1-45	Encoding the Keyboard Answer-Back Drum Blade	1-40
1-16	154151 and 170332 Universal Bail Assemblies	1-15	1-46	176395 Modification Kit to Provide Lock Bar Reset to Answer-Back	1-41
1-17	154152 and 170331 Ball Lock Bar Assemblies	1-15	1-47	Remote Control Speed Shift Gear Mechanism	1-42
1-18	Signal Generator Frame Mechanism	1-16	1-48	195154 Modification Kit to Add Three Speed Gear Shift to Keyboard	1-43
1-19	Signal Generator Shaft Assemblies	1-17	1-49	Gear Sets	1-44
1-20	Signal Generator Front Plate Mechanism	1-18	1-50	Keyboard Cables	1-45
1-21	Signal Generator Rear Plate Mechanism	1-19		Numerical Index - Section 1	1-46
1-22	154165 (w/ARC Suppression), 154225 (w/RF Suppression) - Neutral Transmission, and 162892 (w/RF Suppression) - Polar Transmission Contact Box Assemblies	1-20			
1-23	174410 Contact Box Assembly w/RF Suppression - Polar Transmission (Shielded Signal Lines)	1-21			
1-24	Code Bar Extension Basket Mechanism	1-22			
1-25	Cam Follower Mechanism and Margin Indicator Assemblies	1-23			
1-26	158220, 159871 and 162342 Auxiliary Switch Mechanism	1-24			
1-27	Keyboard Switch Assemblies	1-25			
1-28	144708 (Function Magnet Contact) and 144710 (Code Reading Contacts) Modification Kits	1-26			
1-29	144997 Figures - Letters Contact Assembly	1-27			
1-30	158007, 170349 and 176709 Tape Container Assemblies	1-28			

SECTION 2 - PERFORATOR (LPE, NON-TYPING - LTPE, TYPING)

2-1	Frame Mechanism (Typing Perforator)	2-2	2-20	Typing Mechanism	2-20
2-2	Frame Mechanism (Typing Perforator)	2-3	2-21	159363 and 172640 Modification Kits to Add Manual Backspace	2-21
2-3	Frame Mechanism (Non-Typing Perforator)	2-4	2-22	159364 Modification Kit to Add Power Drive to Backspace	2-22
2-4	Frame Mechanism (Non-Typing Perforator)	2-5	2-23	159379 Modification Kit to Add "Make Only" Code Reading Contacts	2-23
2-5	Frame and Motor Mounting Parts (Non-Typing Perforator)	2-6	2-24	160881 Modification Kit to Add Guard to Cover Backspace Mechanism	2-23
2-6	Main Shaft Mechanism (Typing Perforator)	2-7	2-25	159381 and 159382 Modification Kits to Add Auxiliary Timing Contacts	2-24
2-7	Main Shaft Mechanism (Non-Typing Perforator)	2-8	2-26	161340 Modification Kit to Add Manual Interfering Letters Tape Feed-Out	2-25
2-8	Punch Rear Plate Mechanism	2-9	2-27	161341 Modification Kit to Add Solenoid Operation to Letters Feed-Out	2-25
2-9	Punch Block Assemblies	2-9	2-28	159360 Modification Kit to Add Signal Bell Contact (On Upper Case "5")	2-26
2-10	Punch Front Plate Mechanism	2-10	2-29	162375 Modification Kit to Add "Unshift On Space"	2-26
2-11	Punch Bail Mechanism	2-11	2-30	Typewheels	2-27
2-12	Rotary Positioning Mechanism	2-12		Numerical Index - Section 2	2-28
2-13	Rotary Positioning Mechanism	2-13			
2-14	Axial Positioning Mechanism	2-14			
2-15	Axial Positioning Mechanism	2-15			
2-16	Function Box Mechanism	2-16			
2-17	Transfer Mechanism	2-17			
2-18	Ribbon Feed Mechanism (Early Design)	2-18			
2-19	Ribbon Feed Mechanism (Late Design)	2-19			

SECTION 3 - MOTOR UNIT (LMU)

3-1	Synchronous Motor Unit (LMU3, 60 Cycle) (LMU38, 50 Cycle)	3-2	3-5	Series Motor Unit Mounting Parts (LMU14, 110V AC)	3-6
3-2	Synchronous Motor Unit (LMU12)	3-3	3-6	Series Motor Unit Mounting Parts (LMU29, 48V DC)	3-7
3-3	Series Motor (LMU14, LMU29 and LMU39)	3-4	3-7	Series Motor Unit Mounting Parts (LMU39, 110V AC)	3-8
3-4	150845 Governor Assembly (LMU14, LMU29 and LMU39)	3-5		Numerical Index - Section 3	3-9

TABLE OF CONTENTS (Continued)

SECTION 4 - TRANSMITTER DISTRIBUTOR BASE (LCXB)					
Figure Number		Page Number	Figure Number	Page Number	
4-1	Transmitter Distributor Base	4-2	4-12	178316 Modification Kit to Provide Answer Back Feature for the Transmitter Distributor Base (Includes Figures 4-10 through 4-14)	4-13
4-2	Transmitter Distributor Base	4-3			
4-3	Transmitter Distributor Base	4-4			
4-4	Transmitter Distributor Base	4-5	4-13	178316 Modification Kit to Provide Answer Back Feature for the Transmitter Distributor Base (Includes Figures 4-10 through 4-14)	4-14
4-5	Transmitter Distributor Base	4-6			
4-6	Transmitter Distributor Base	4-7			
4-7	Transmitter Distributor Base	4-8	4-14	178316 Modification Kit to Provide Answer Back Feature for the Transmitter Distributor Base (Includes Figures 4-10 through 4-13)	4-15
4-8	Gear Sets	4-9			
4-9	Transmitter Distributor Base With Answer Back Feature (Includes Figures 4-10 through 4-13)	4-10	4-15	Uncoded Stop and Code Blades	4-16
4-10	178315 Modification Kit to Provide Answer Back Feature for the Transmitter Distributor Base (Includes Figures 4-11 through 4-14)	4-11	4-16	Transmitter Distributor Base	4-17
4-11	178316 Modification Kit to Provide Answer Back Feature for the Transmitter Distributor Base (Includes Figures 4-10 through 4-14)	4-12	4-17	161921 Modification Kit to Convert an LCXB7 Base to Accept an LBXD7 Transmitter Distributor	4-18
			4-18	161833 Modification Kit to Convert an LCXB1 to an LCXB5 Transmitter Distributor Base	4-19
			4-19	173343 Modification Kit for Multiple Wire Output Facilities on LCXB3 Base	4-20
				Numerical Index - Section 4	4-21
SECTION 5 - AUTOMATIC SEND-RECEIVE CABINET (LAAC)					
5-1	Typical Cabinets	5-2	5-31	178897** Modification Kit to Provide a Pivoted Offset Copyholder for Floor Model Cabinet	5-24
5-2	Cabinet Base Common Parts	5-3	5-32	153901** Modification Kit to Provide a Shelf for Mounting a Paper Winder to Cabinet	5-25
5-3	Cabinet Base Common Parts (Continued)	5-4	5-33	174458** Modification Kit to Provide Cabinet with a Paper Tearing Plate	5-25
5-4	Cabinet Base to Accommodate Pull-Back Transmitter	5-5	5-34	194959** Modification Kit to Provide Shelf for Tape Winder or Tape Unwinder	5-26
5-5	Cabinet Dome, Latches and Doors	5-6	5-35	194857** Modification Kit to Provide Shelf for Single Reel Tape Winder	5-27
5-6	Cabinet Dome to Accommodate Pull-Back Transmitter	5-7	5-36	173097** Modification Kit to Provide a Mounting Shelf for Left Side of Cabinet	5-27
5-7	Cradle Assembly	5-8	5-37	163796** Modification Kit to Provide a Telephone Mounting Shelf for Cabinet	5-28
5-8	Receptacle Connectors and Outlet Box	5-9	5-38	152910** and 179601** Modification Kit to Add Directory Holder or Message File Holder	5-28
5-9	154440 Cable Assembly	5-9	5-39	176713 Modification Kit to Provide Low Paper and Paper-Out Alarm	5-28
5-10	Transformer and Line Guide	5-10	5-40	164272 (For Auxiliary Reperforator) and 170306 (For Keyboard Reperforator) Modification Kits to Provide Chad Disposal	5-29
5-11	151560 Signal Bell Assembly	5-10	5-41	164405** Modification Kit to Provide Chad Container for the Auxiliary Reperforator and/or Keyboard Reperforator	5-29
5-12	Terminal Blocks	5-11	5-42	178387 Modification Kit to Provide High Voltage Static Eliminator to Neutralize Electrostatic Charge on Page Copy	5-30
5-13	159396 Modification Kit to Add Auxiliary Terminal Blocks - Top Row Left Rear	5-12	5-43	160468** (Pivoted Head Transmitter) and 160470** (Fixed Head Transmitter) Modification Kits to Provide Tape Basket	5-31
5-14	159384 Modification Kit to Add Auxiliary Terminal Blocks - Top Row Right Rear	5-12	5-44	154756 Modification Kit to Provide Form-Out Alarm	5-32
5-15	159393 Modification Kit and 179470 Assembly to Add Auxiliary Terminal Block - Right Side	5-13	5-45	193675 Modification Kit to Provide Cabinet with Two Hinged Panels in Lower Cavity	5-32
5-16	159394 Modification Kit and 179469 Assembly to Add Auxiliary Terminal Block - Left Side	5-13	5-46	161814 Modification Kit to Mount an Auxiliary Typing Reperforator Base and Provide Tape Guide	5-32
5-17	Transmitter and Transmitter Distributor Housings	5-14	5-47	154651 Modification Kit to Add Signal Line Electrical Noise Suppressor (D. C.)	5-33
5-18	170272** Modification Kit to Provide Dual Transmitter Distributor Housing	5-15	5-48	151988 Modification Kit to Add Power Line Electrical Noise Suppressor	5-33
5-19	Cabinet Dome Variable Features	5-15	5-49	Cabinet Cable Assemblies	5-34
5-20	160355 Modification Kit to Provide Control Panel for Transmitter Distributor	5-16	5-50	Cable Components	5-35
5-21	Control Panels	5-17		Cabinet Modification Kits	5-36
5-22	176300 Modification Kit to Provide Auxiliary Reperforator Motor Control Panel	5-18		Numerical Index - Section 5	5-42
5-23	164838 Control Panel Assembly	5-18			
5-24	178838 Modification Kit to Relocate Power Switch from Auxiliary Base to Outside of Cabinet	5-19			
5-25	194861 Modification Kit to Provide Tape Guide	5-19			
5-26	164197** Modification Kit to Provide Control Panel	5-20			
5-27	164120** Modification Kit to Provide Control Panel	5-20			
5-28	158630** (For LAXD, LCXD) and 162243** (For LX, LXD and LBXD) Tape Bin Assemblies	5-21			
5-29	145898** Modification Kit to Provide a Tape Bin for Stored Tape of a Message in Transmission	5-22			
5-30	164024** (For Floor Model) and 173400** (For Table Model) Modification Kits to Provide Offset Copyholder	5-23			

TABLE OF CONTENTS (Continued)

SECTION 6 - ELECTRICAL SERVICE UNIT (LESU)					
Figure Number		Page Number	Figure Number	Page Number	
6-1	Electrical Service Unit (LESU)	6-2	6-23	178138 Slow Release Relay Assembly (Non-contention)	6-22
6-2	Line Shunt Relays	6-3	6-24	170285 and 173281 Resistor Assemblies	6-23
6-3	Fuse Mounting Plate and Terminal Block Brackets	6-4	6-25	147059 Line Jack Assembly	6-24
6-4	Line Relay Mounting	6-5	6-26	Blank Plate Assemblies	6-25
6-5	153251 Electrical Motor Control Assembly	6-5	6-27	Peculiarities of Electrical Service Unit	6-26
6-6	Early Design Rectifier and Cable Assembly (300 MA)	6-7	6-28	Peculiarities of Electrical Service Unit	6-26
6-7	162361 Rectifier and Cable Assembly (500 MA)	6-8	6-29	Electrical Service Unit	6-27
6-8	152950 Rectifier and Cable Assembly (150 MA)	6-9	6-30	Cable Assemblies	6-28
6-9	176810 Answer Back Control Relay Assembly	6-10	6-31	Electrical Service Unit	6-29
6-10	176694 (Motor Control) and 176698 (Slow Release) Relay Assemblies	6-10	6-32	Cable Assemblies	6-30
6-11	159318 Slow Release Relay Assembly	6-11	6-33	Electrical Service Unit	6-31
6-12	155558 DC Control Relay Assembly	6-12	6-34	164868 Modification Kit to Provide an LAAC231** with an Auxiliary Electrical Service Unit (Includes all Parts on this Figure and Figures 6-35 and 6-36)	6-32
6-13	158293, 164232, 173252 and 194492 Line Test Key Assemblies	6-13	6-35	164868 Modification Kit to Provide an LAAC231** with an Auxiliary Electrical Service Unit (Includes all Parts on this Figure and Figure 6-34 and 6-36)	6-33
6-14	Line Test Key Control	6-14	6-36	164868 Modification Kit to Provide an LAAC231** with an Auxiliary Electrical Service Unit (Includes all Parts on this Figure and Figures 6-34 and 6-35)	6-34
6-15	160420 Auxiliary Line Shunt Relay Assembly 179444 and 173239 Auxiliary Reader Control Relay Assemblies	6-15	6-37	162483 Call Directing Relay Unit	6-35
6-16	Resistor Assemblies	6-15	6-38	154747 Modification Kit To Add Continuous Spacing	6-36
6-17	152332 and 176448 Relay Motor Control Assemblies	6-16	6-39	179472 Modification Kit to Provide a Transmitter Control Device	6-37
6-18	178307 Motor Control Relay Assembly	6-17	6-40	Electrical Service Unit Cabling	6-38
6-19	178345 Modification Kit To Provide Motor Control and Answer Back Relays	6-18	6-41	Quick Acting Relay (10 MS) Mechanism	6-39
6-20	173452 Electronic Keyer Assembly	6-19		Numerical Index - Section 6	6-40
6-21	165650 Motor Control and Answer Back Relay Assembly	6-20			
6-22	146652 Modification Kit To Add Wave Shaping Inductor	6-21			

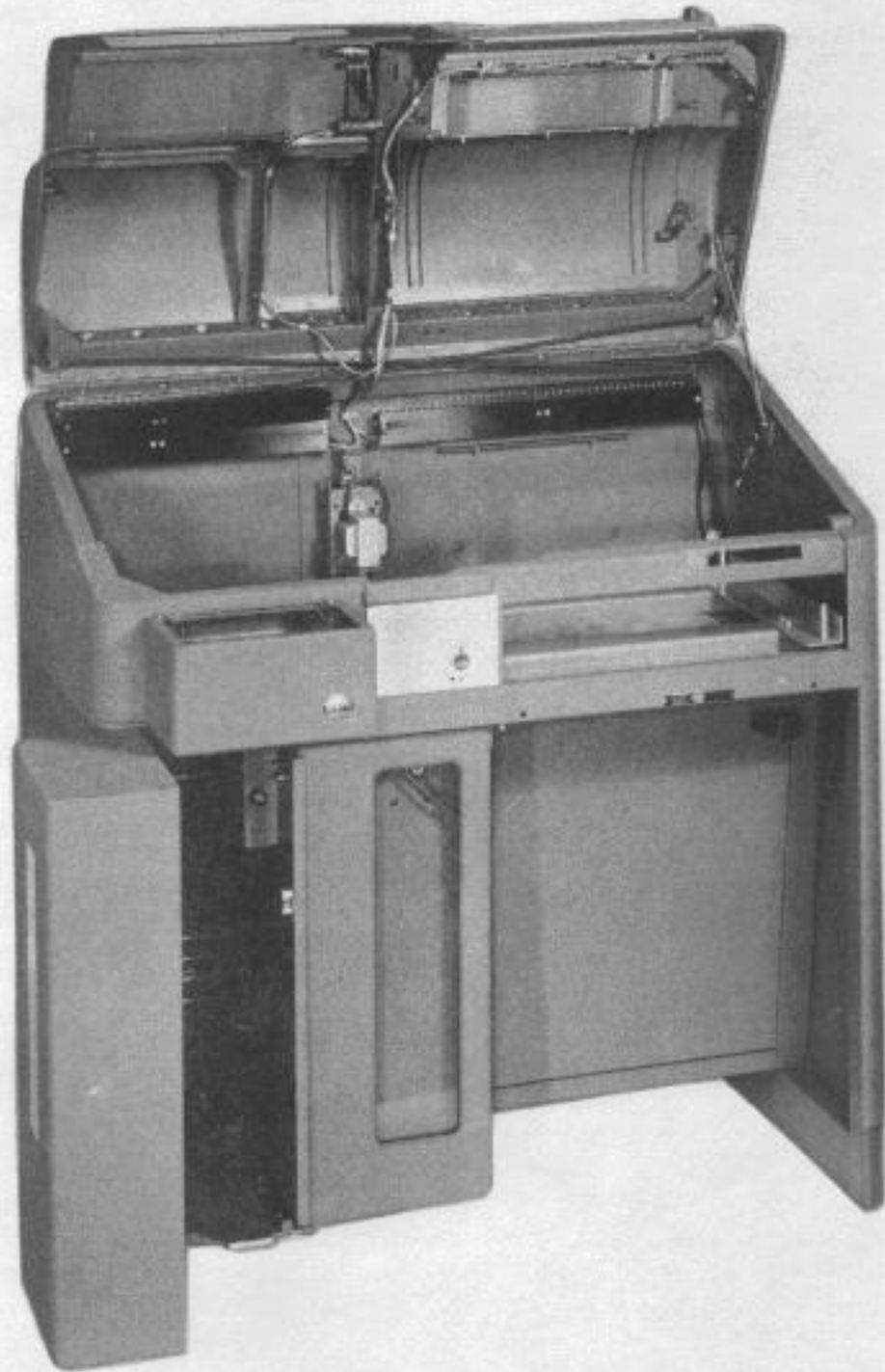
SECTION 7 - AUXILIARY ELECTRICAL COMPONENTS

7-1	145000 Distributor Panel Assembly	7-2	7-18	173707 Modification Kit to Add Power Factor Correction to Auxiliary Reperforator in Cabinet (LAAC)	7-19
7-2	145200 Key and Lamp Assembly	7-3	7-19	161302 Modification Kit to Add Automatic Character Feed-Out Circuit to an ASR Set	7-20
7-3	145050 Message Processing Panel Assembly - Front View	7-4	7-20	177010 and 178601 Electronic Selector Magnet Drive Assemblies - 179560 Electronic Selector Magnet Drive Assembly and Open Line Detector	7-21
7-4	145050 Message Processing Panel Assembly - Rear View	7-5	7-21	179610 and 179611 Modification Kits to Reduce Radio Frequency Noise on ASR Set	7-22
7-5	145100 Tape Preparation Panel Assembly - Front View	7-6	7-22	179610 and 179611 Modification Kits to Reduce Radio Frequency Noise on ASR Set (Continued)	7-23
7-6	145100 Tape Preparation Panel Assembly - Rear View	7-7	7-23	170573 Modification Kit - 48 Volt Rectifier Assembly	7-24
7-7	145225 Translator Panel Assembly - Front View	7-8	7-24	161829 Modification Kit for Mounting an Electrical Service Unit on Relay Rack Brackets	7-25
7-8	145225 Translator Panel Assembly - Rear View	7-9	7-25	164633 and 164640 Modification Kits to Permit LAXD3 and LCXD1 Transmitter Distributors to Operate LESU13 and LESU15	7-26
7-9	145250 Alarm Panel Assembly - Front View	7-10	7-26	179139 Auxiliary Reperforator Line Relay Assembly	7-27
7-10	145250 Alarm Panel Assembly - Rear View	7-11	7-27	160422 Modification Kit to Equip LAAC Cabinet With Rectifier	7-27
7-11	145350 Intercept Panel Assembly - Front View	7-12		Numerical Index - Section 7	7-28
7-12	145350 Intercept Panel Assembly - Rear View	7-13			
7-13	145204 Power Supply D. C.	7-14			
7-14	147081 Rectifier - 130V DC - 20V AC	7-15			
7-15	160387 and 160388 Modification Kits to Provide Relay Rack Brackets	7-16			
7-16	170271 and 194490 Modification Kits for Tape Programmed Relay Control	7-17			
7-17	173706 Modification Kit for Power Factor Correction in Cabinet (LAAC)	7-18			

SECTION 8 - KEYBOARD WITH PERFORATOR COVER (LBPC)

8-1	Skintight Cover for Keyboard With Perforator (LBPC200**) 8-2	8-3	8-3	Felt Pads and Base Plate (LBPC200**) 8-4
8-2	Electrical Components and Cabinet Accessories (LBPC200**) 8-3			Numerical Index - Section 8 8-5

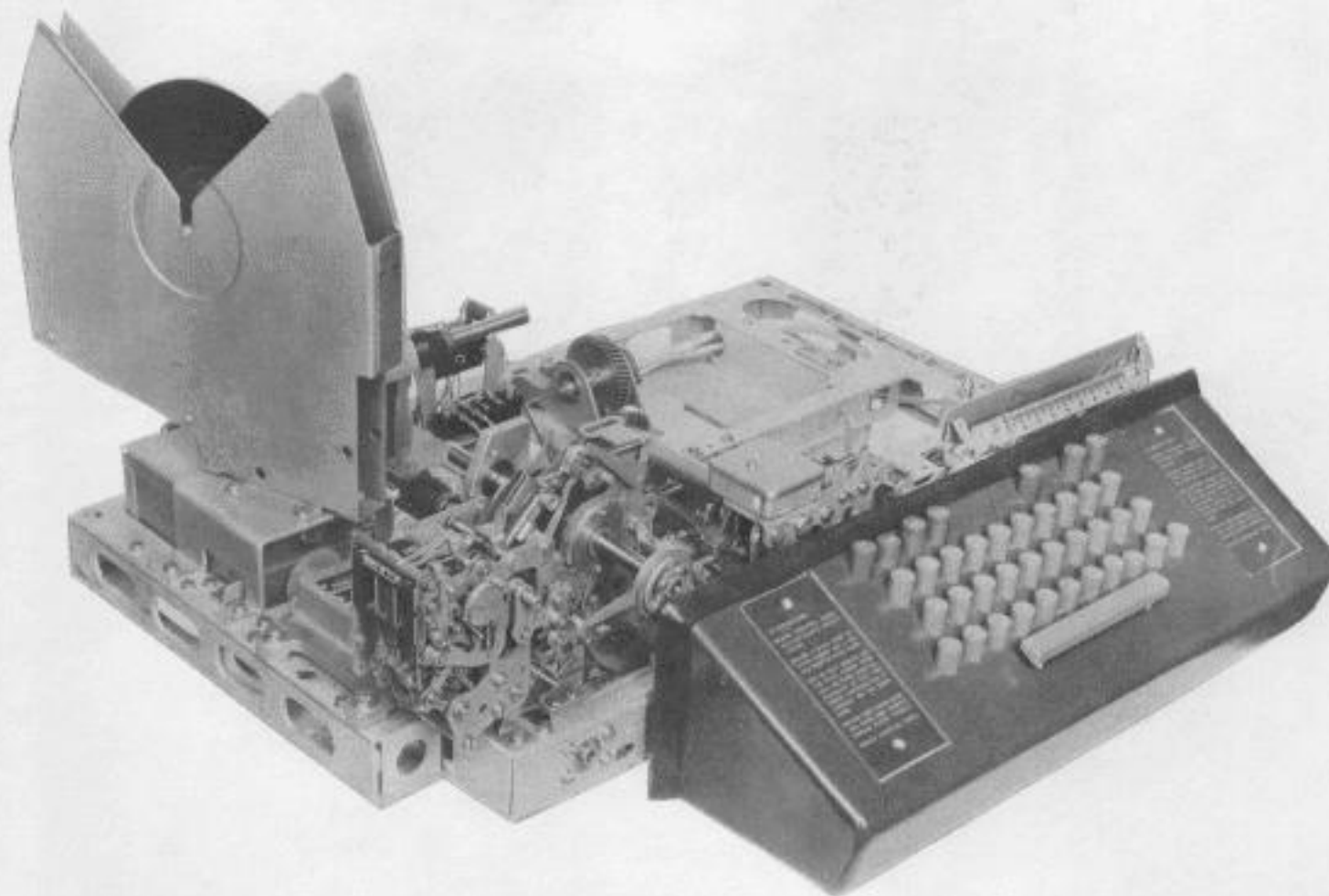
SECTION 9 - MASTER NUMERICAL INDEX



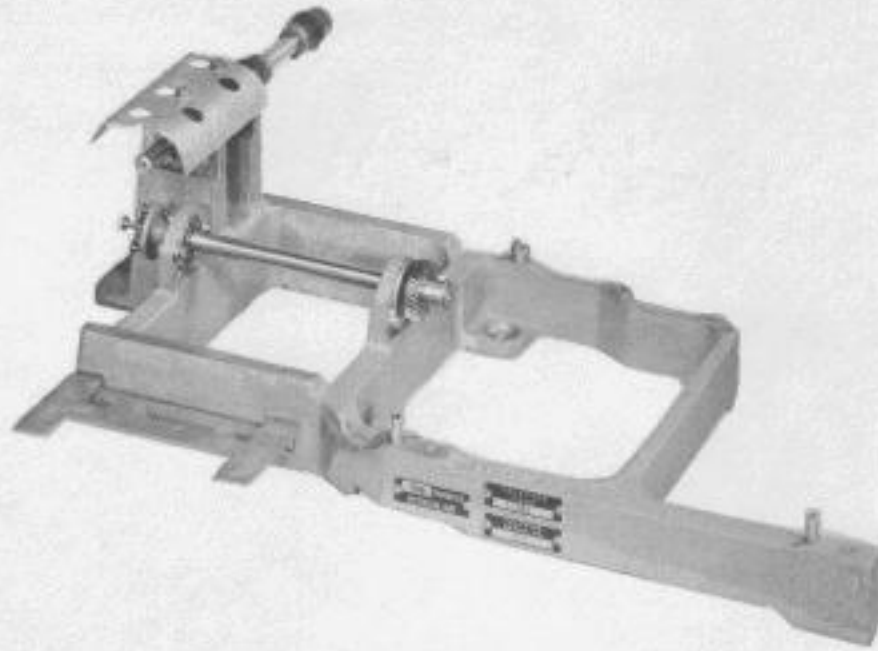
MODEL 28 AUTOMATIC SEND-RECEIVE CABINET (LAAC)



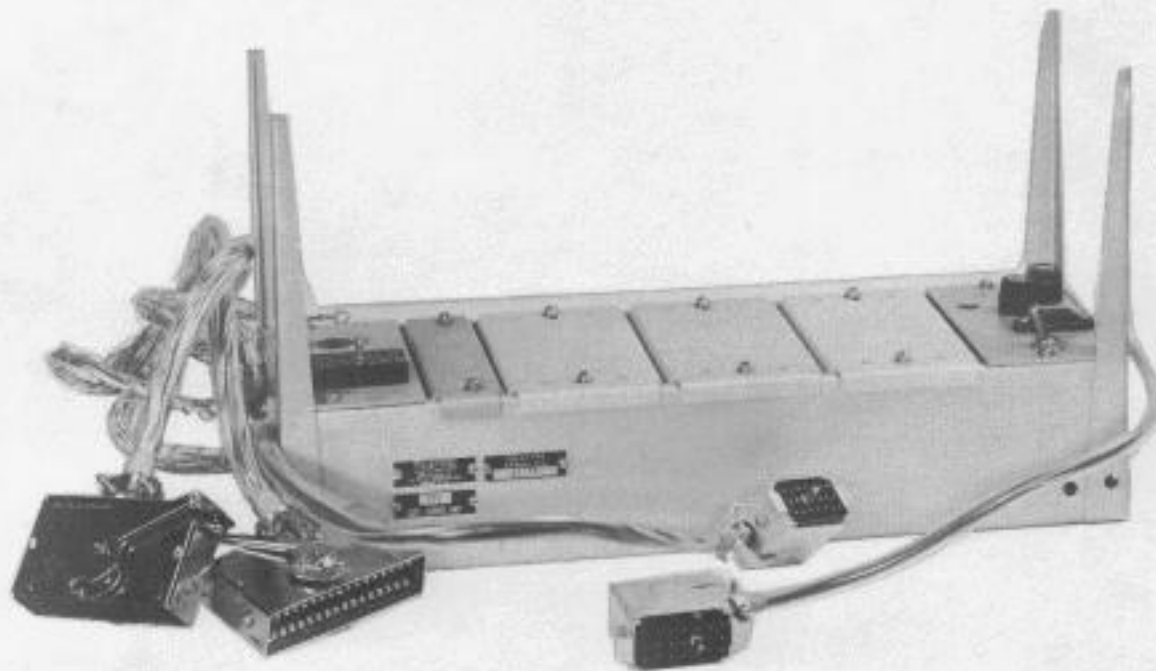
MODEL 28 AUTOMATIC SEND-RECEIVE KEYBOARD BASE (LAK)
WITH TYPING PERFORATOR (LTPE) AND COVER (LBPC)



MODEL 28 AUTOMATIC SEND-RECEIVE KEYBOARD BASE (LAK WITH PERFORATOR (LPE)



MODEL 28 TRANSMITTER DISTRIBUTOR BASE (LCXB)



MODEL 28 ELECTRICAL SERVICE UNIT (LESU)

SECTION 1

AUTOMATIC SEND-RECEIVE KEYBOARD (LAK)

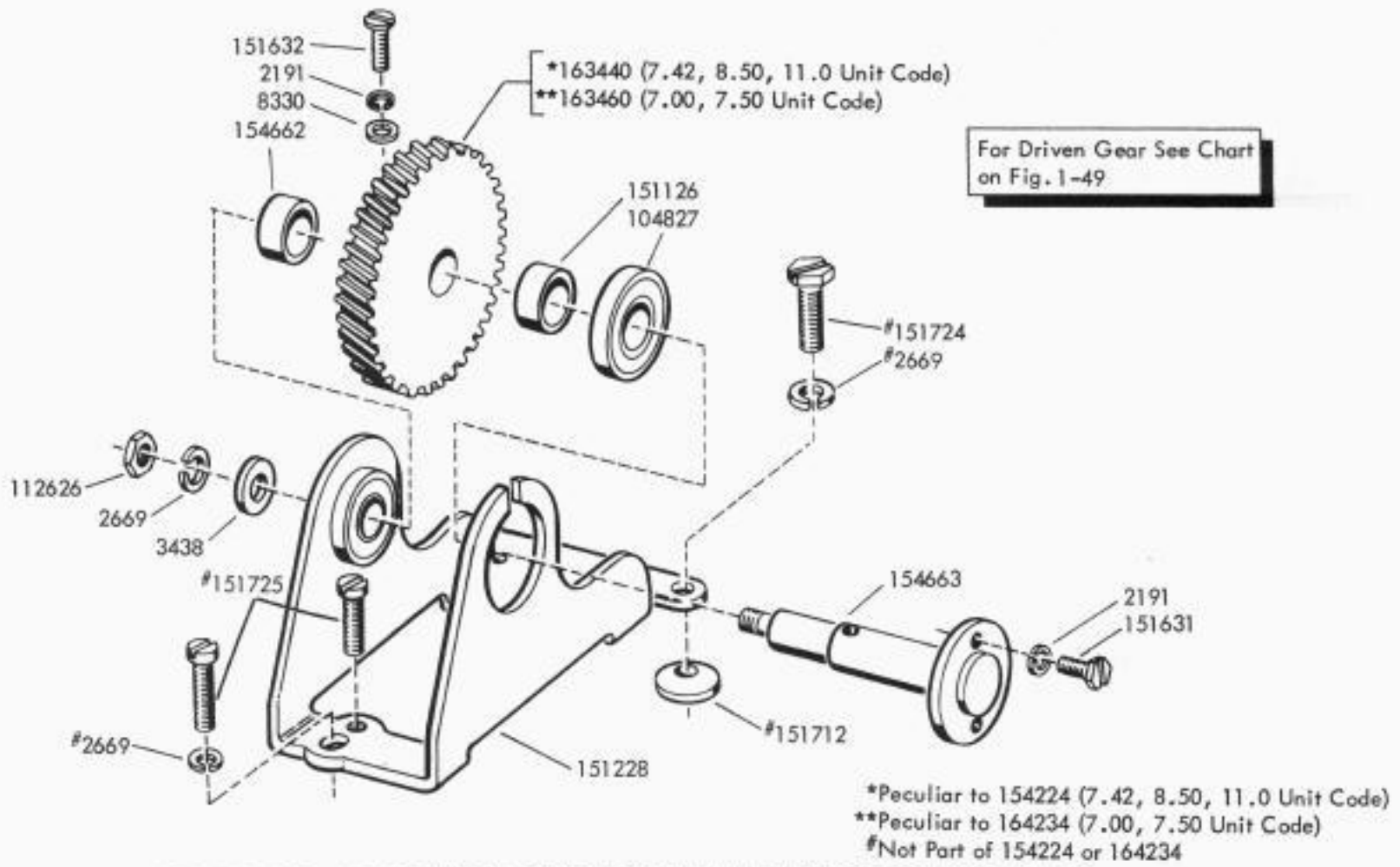


FIGURE 1-3. 154224 AND 164234 INTERMEDIATE GEAR ASSEMBLIES

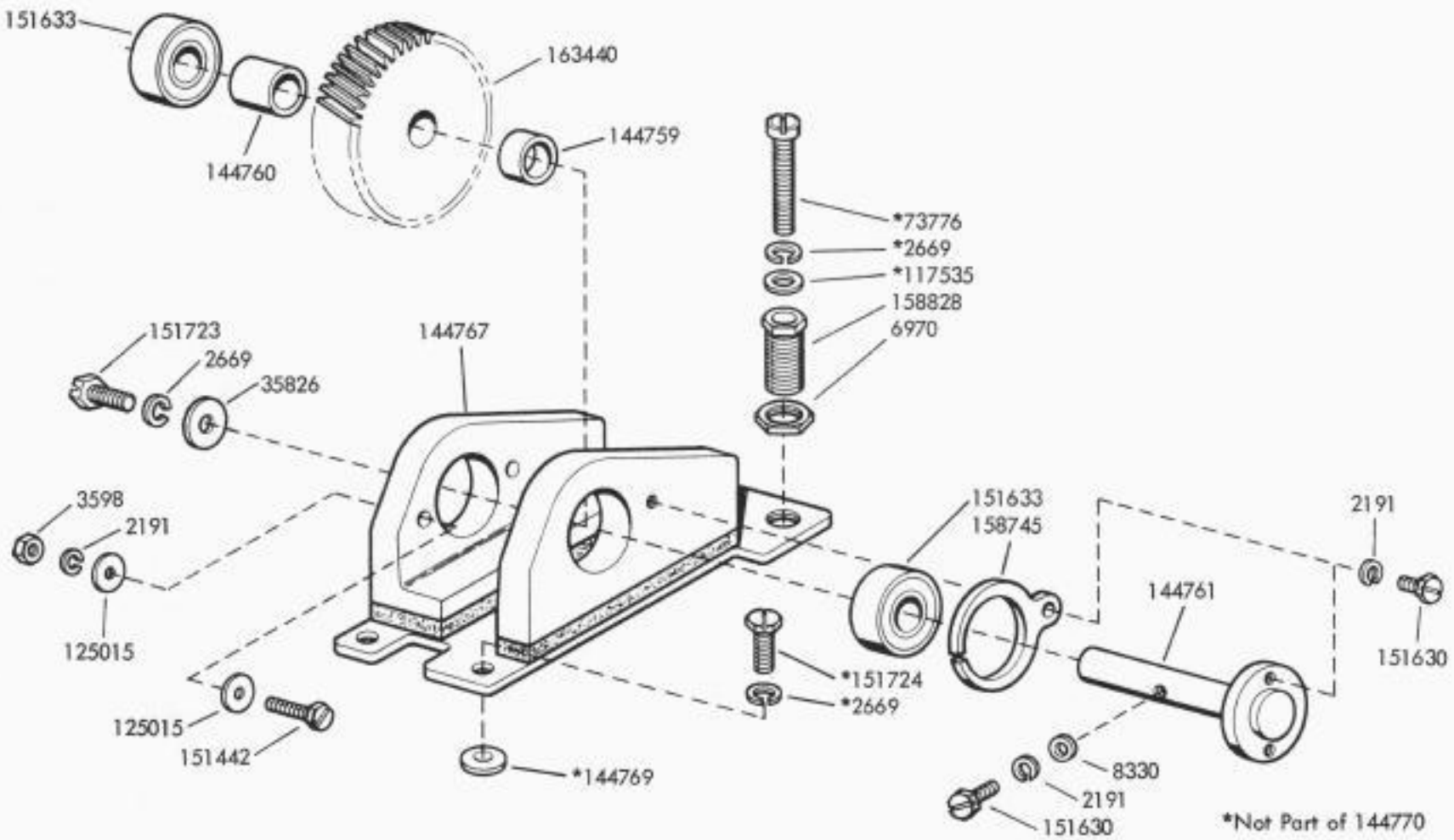


FIGURE 1-4. 144770 INTERMEDIATE GEAR ASSEMBLY (NOISE REDUCTION)

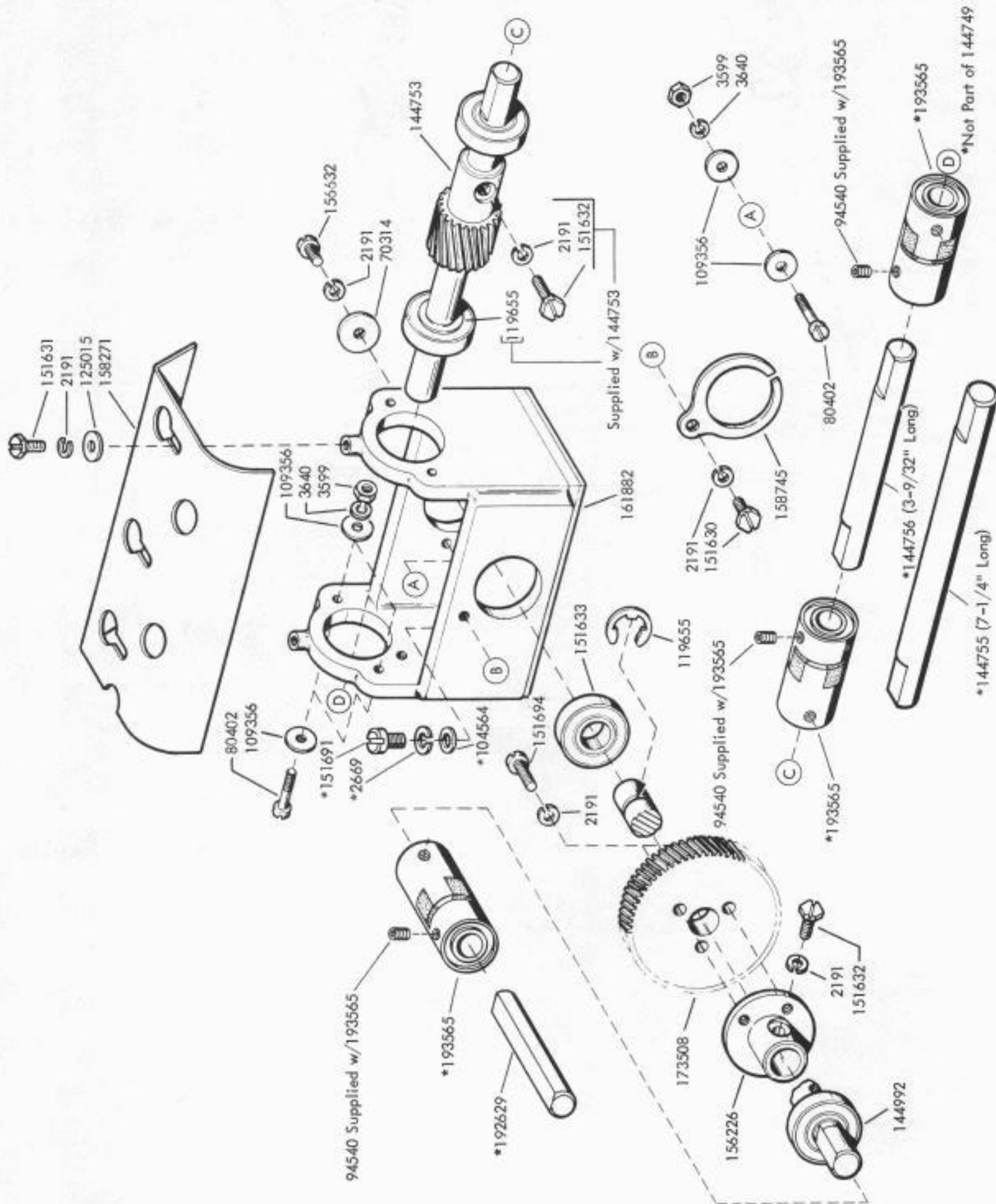


FIGURE 1-6. 144749 BEARING BRACKET ASSEMBLY

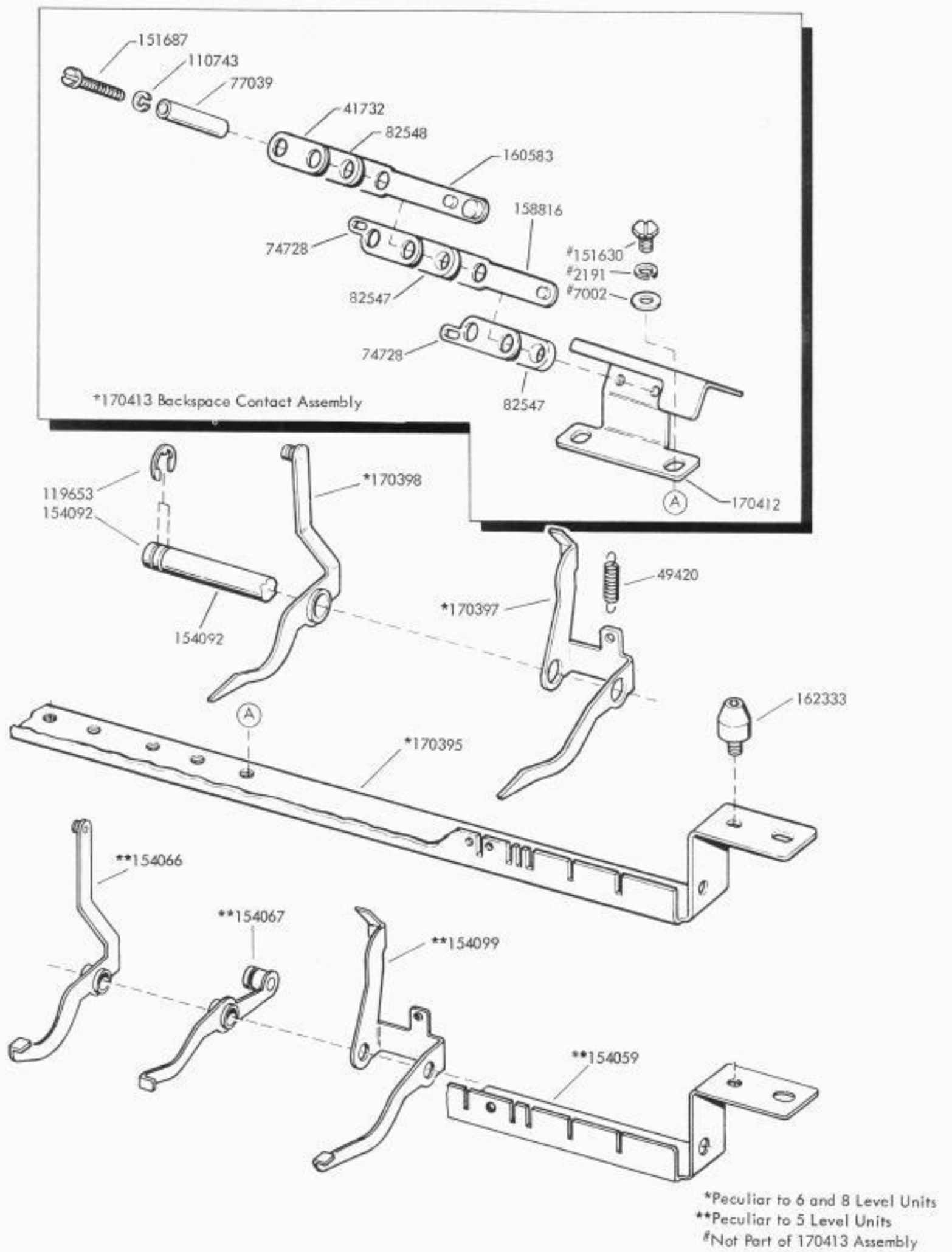


FIGURE 1-7. FUNCTION BAIL MECHANISM

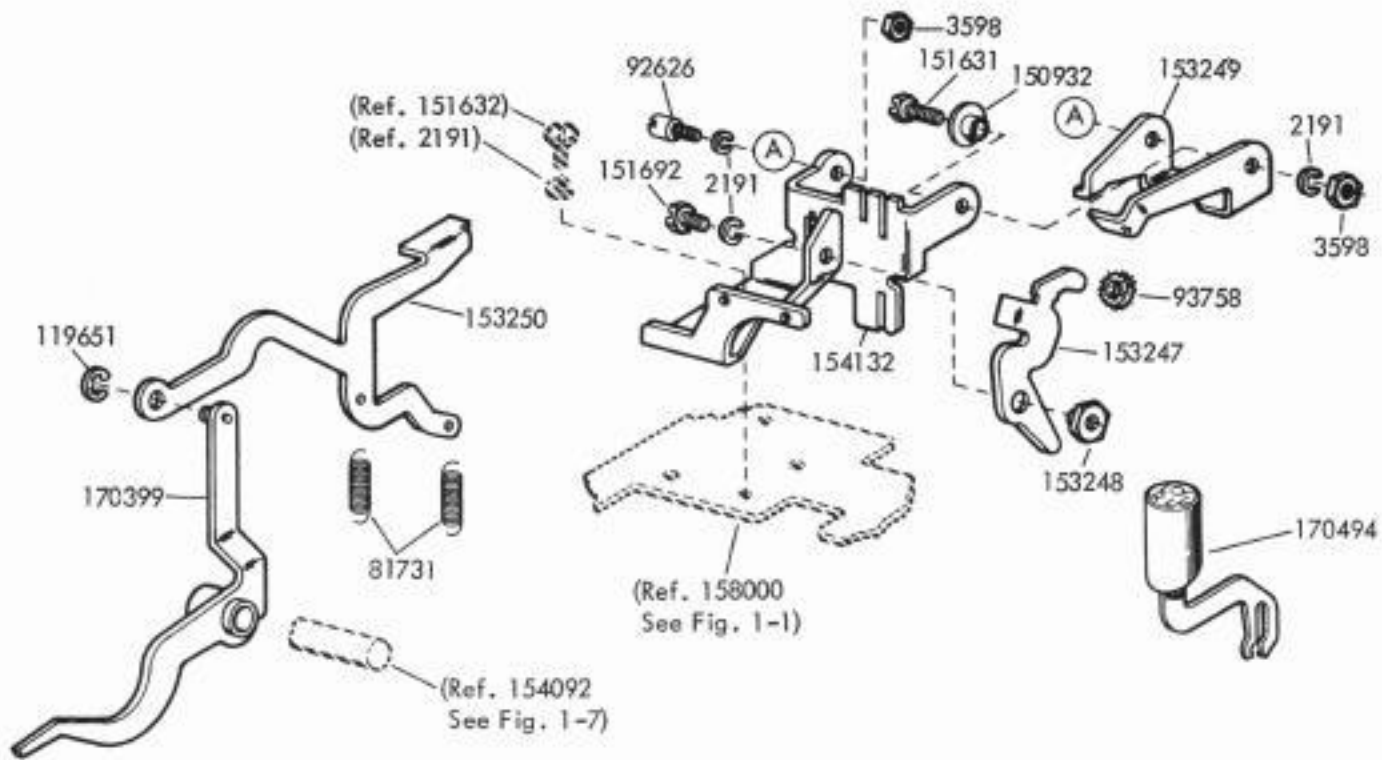


FIGURE 1-8. LOCAL REVERSE LINE FEED MECHANISM (8 LEVEL)

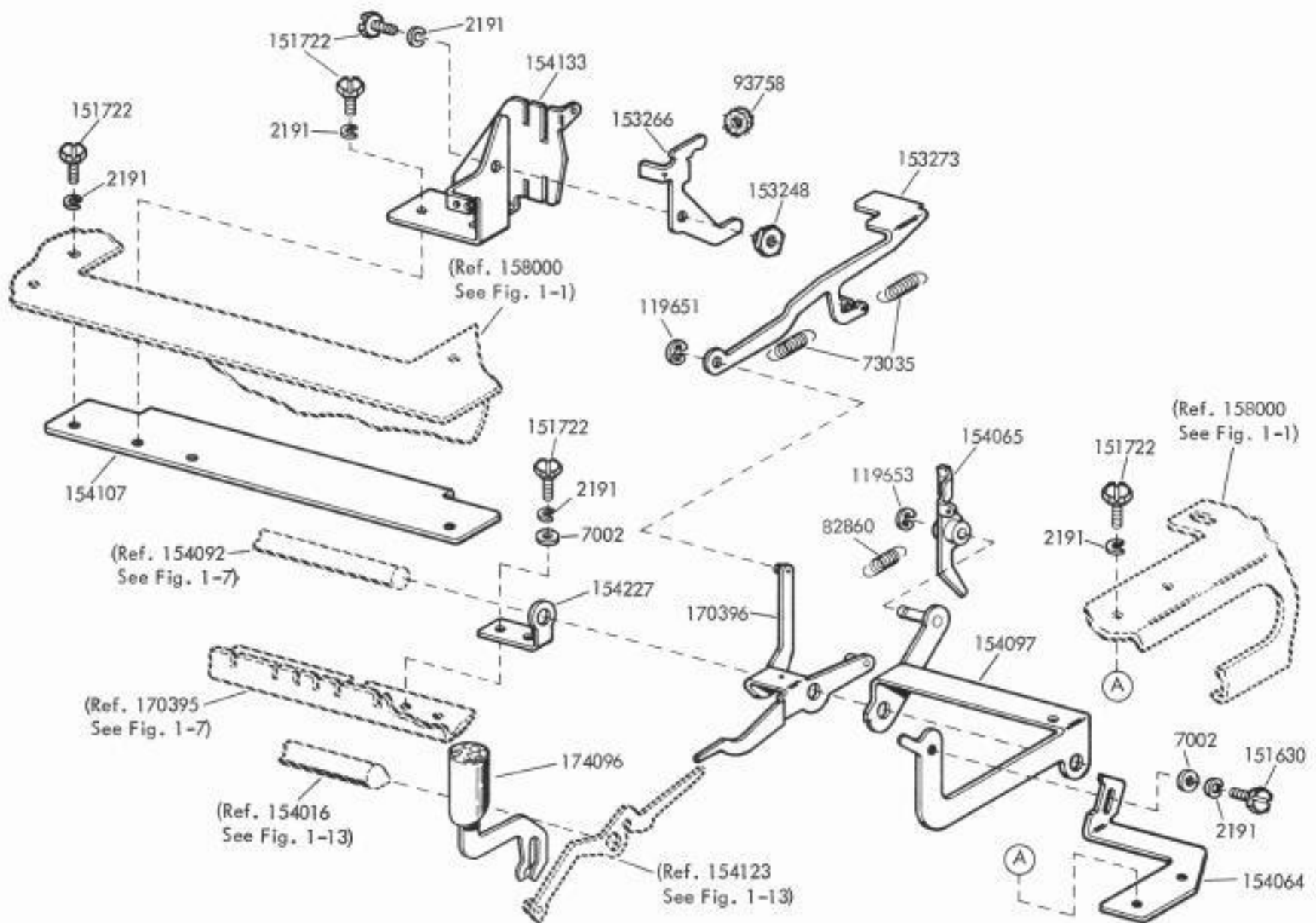


FIGURE 1-9. LOCAL BACKSPACE MECHANISM (6 AND 8 LEVEL)

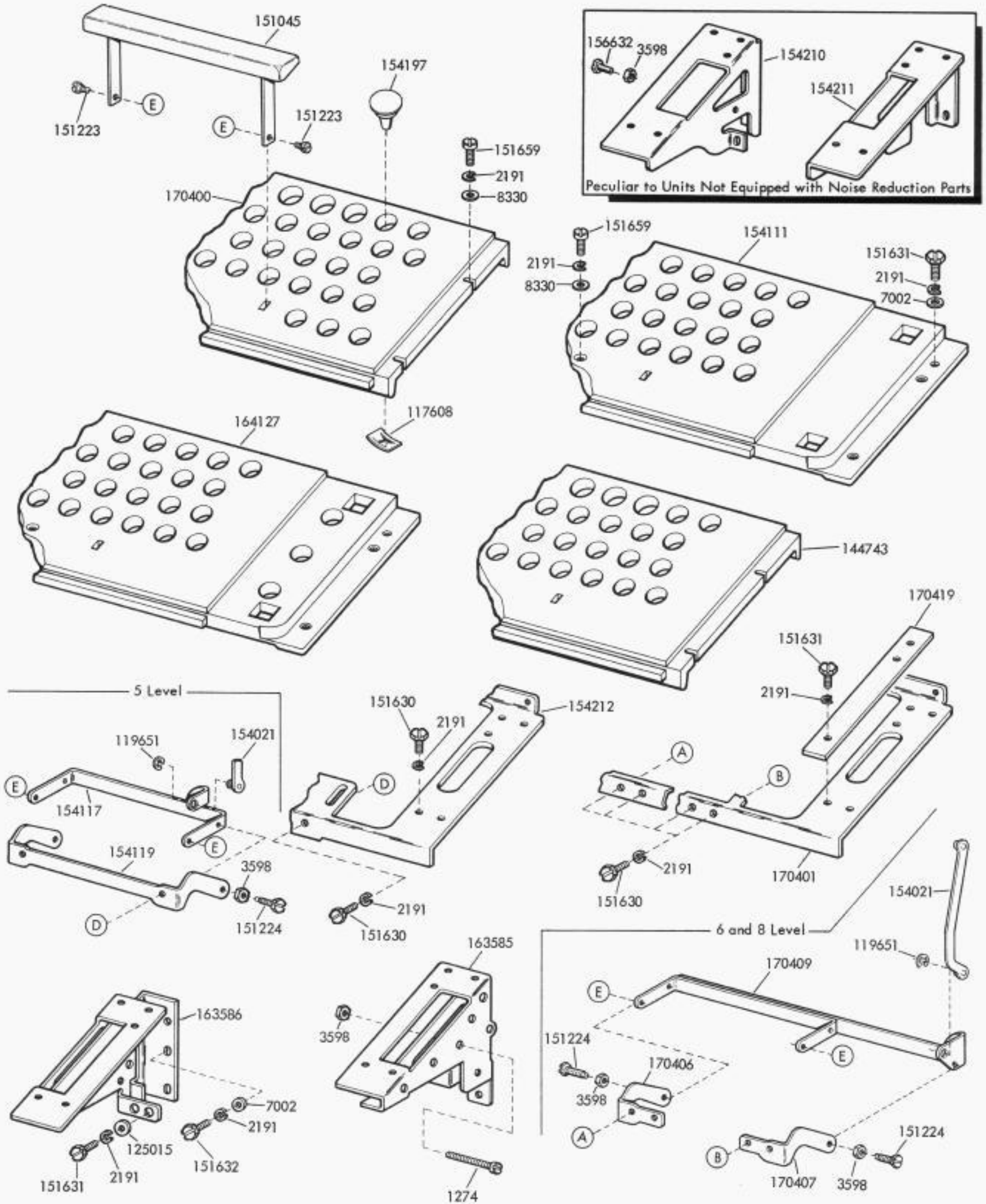


FIGURE 1-10. KEYLEVER GUIDE PLATES

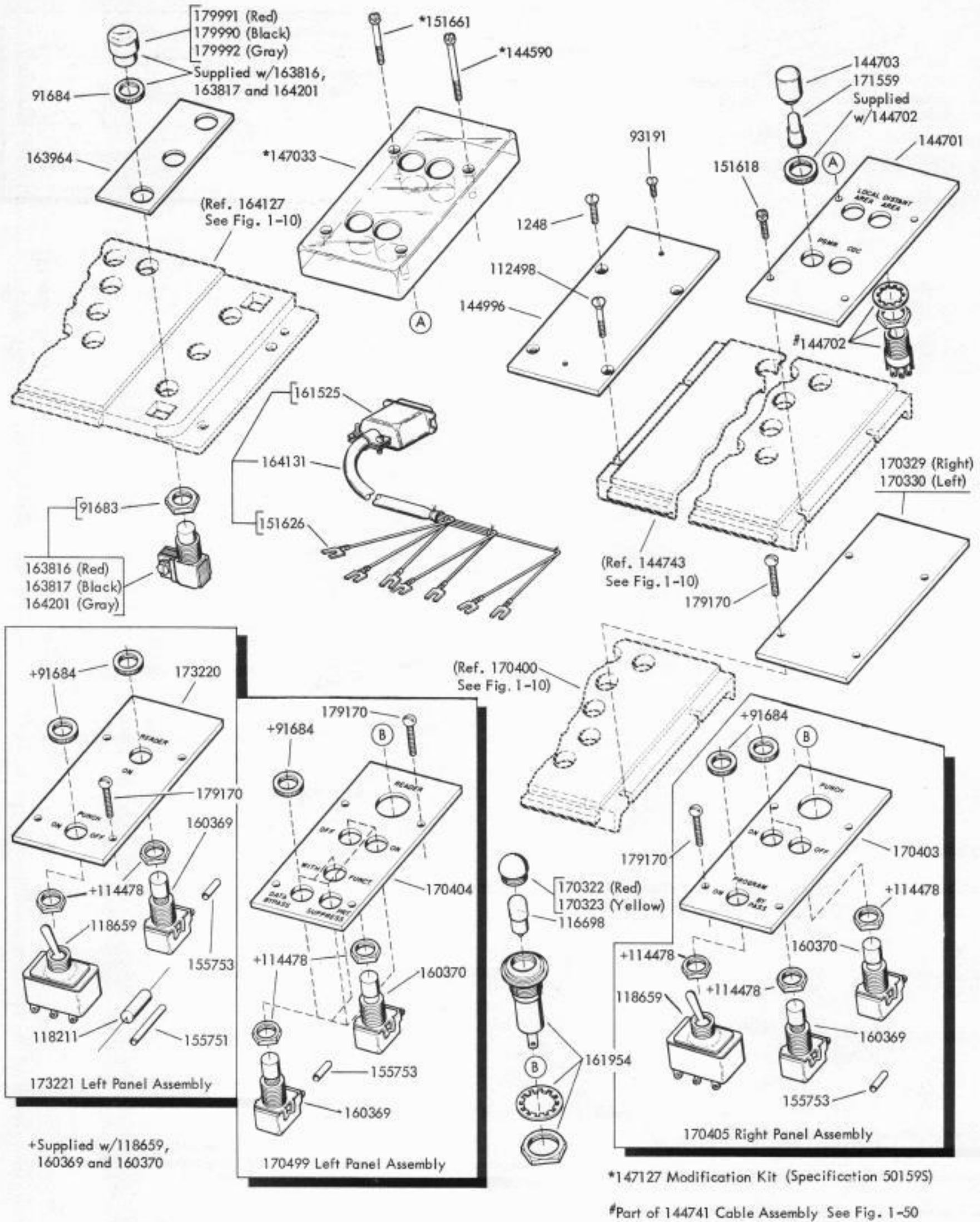


FIGURE 1-11. KEYBOARD TOP PLATES AND PANEL ASSEMBLIES

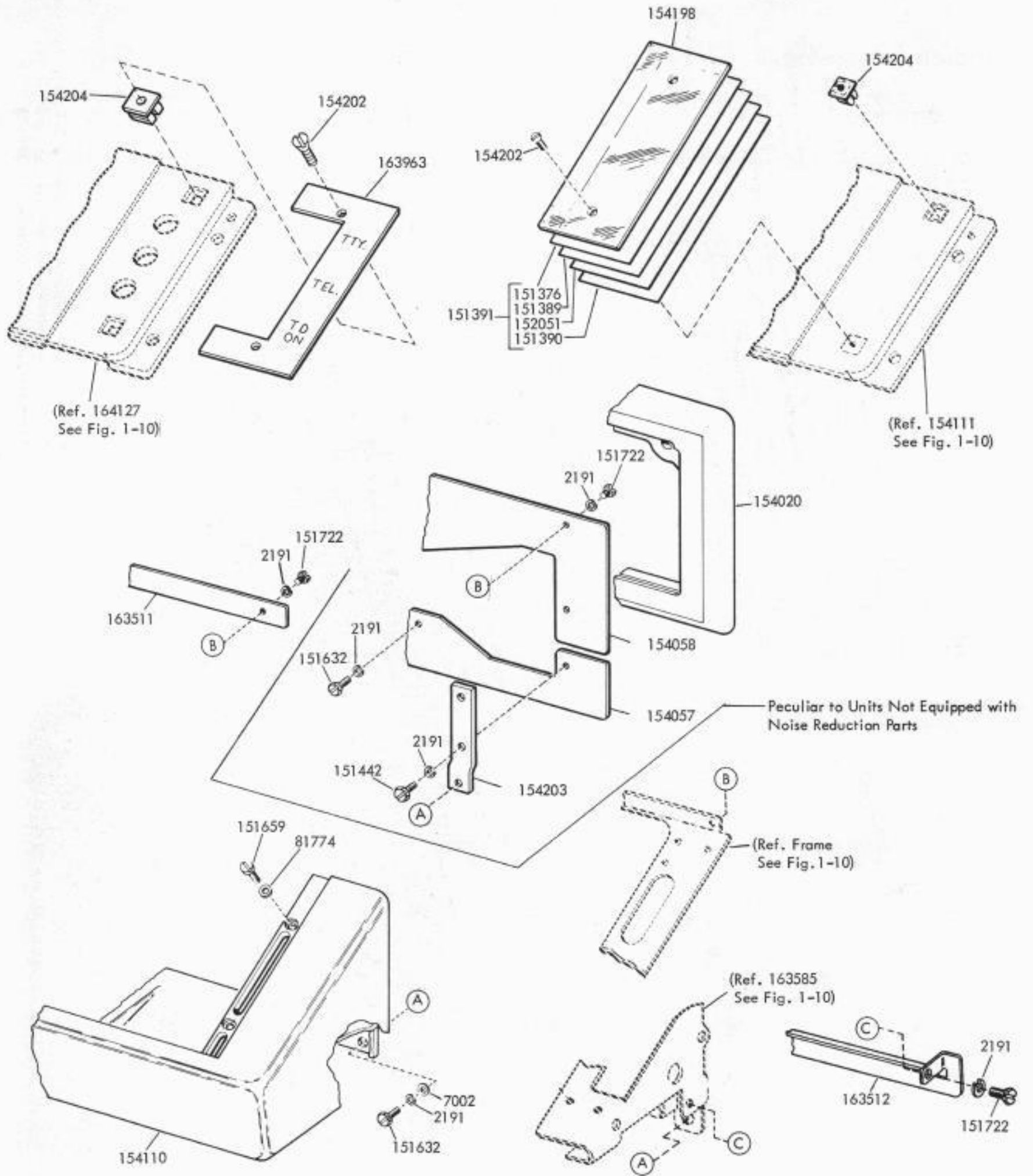


FIGURE 1-12. KEYBOARD HOOD AND MOUNTING PARTS

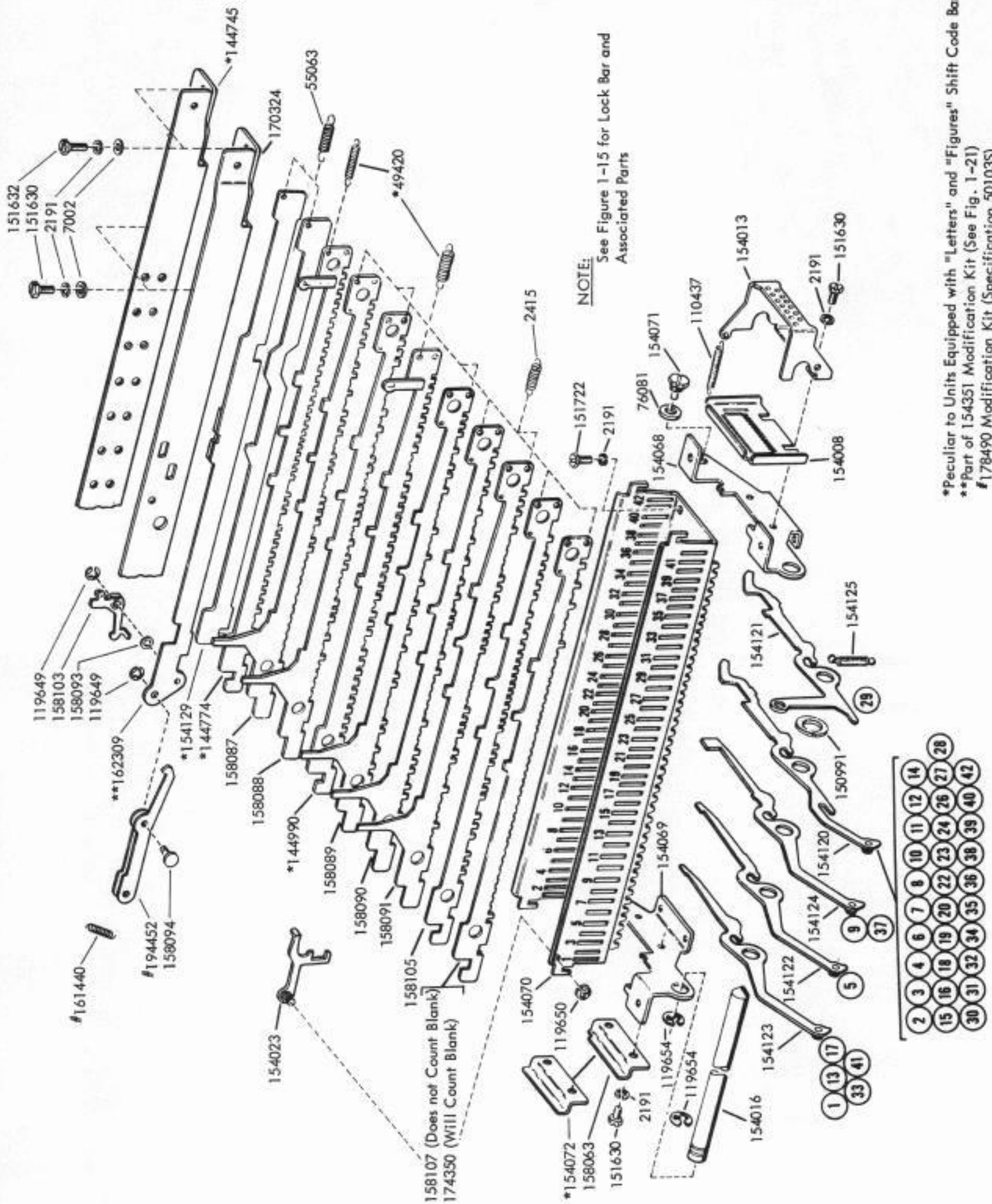


FIGURE 1-13. CODE BAR MECHANISM (5 LEVEL)

*Peculiar to Units Equipped with "Letters" and "Figures" Shift Code Bars
 **Part of 154351 Modification Kit (See Fig. 1-21)
 #178490 Modification Kit (Specification 501035)

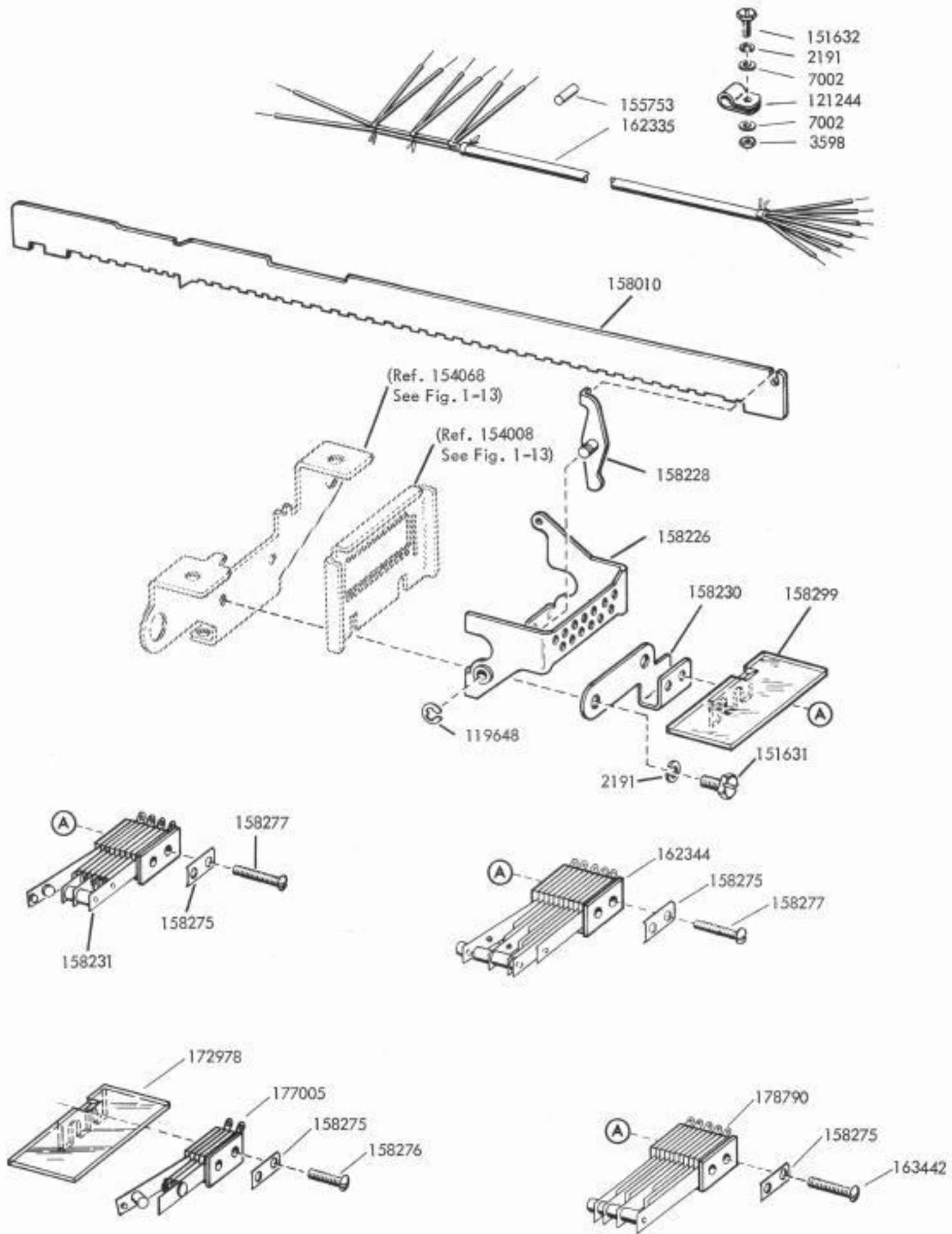


FIGURE 1-15. CONTACT ASSEMBLIES

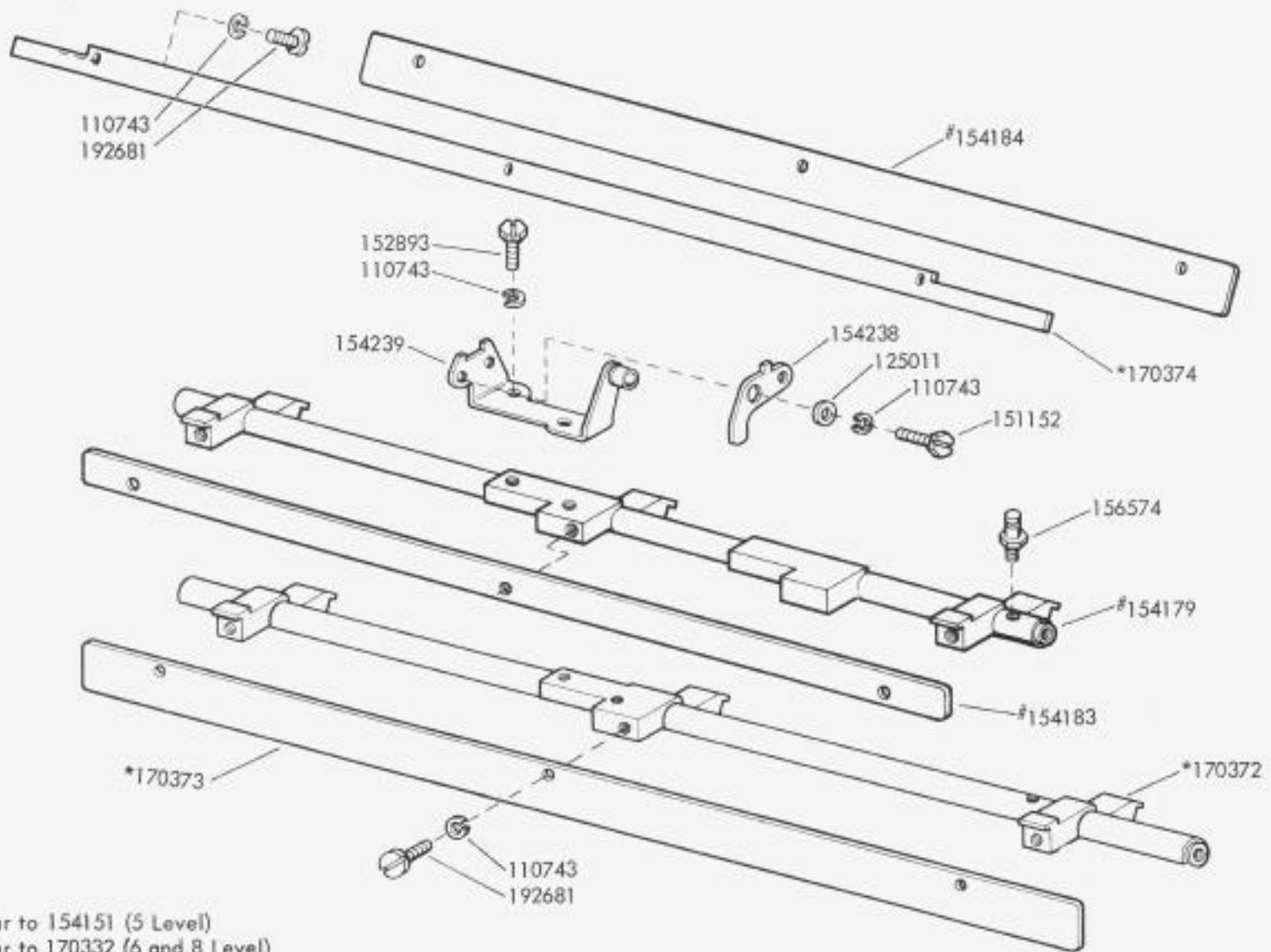


FIGURE 1-16. 154151 AND 170332 UNIVERSAL BAIL ASSEMBLIES

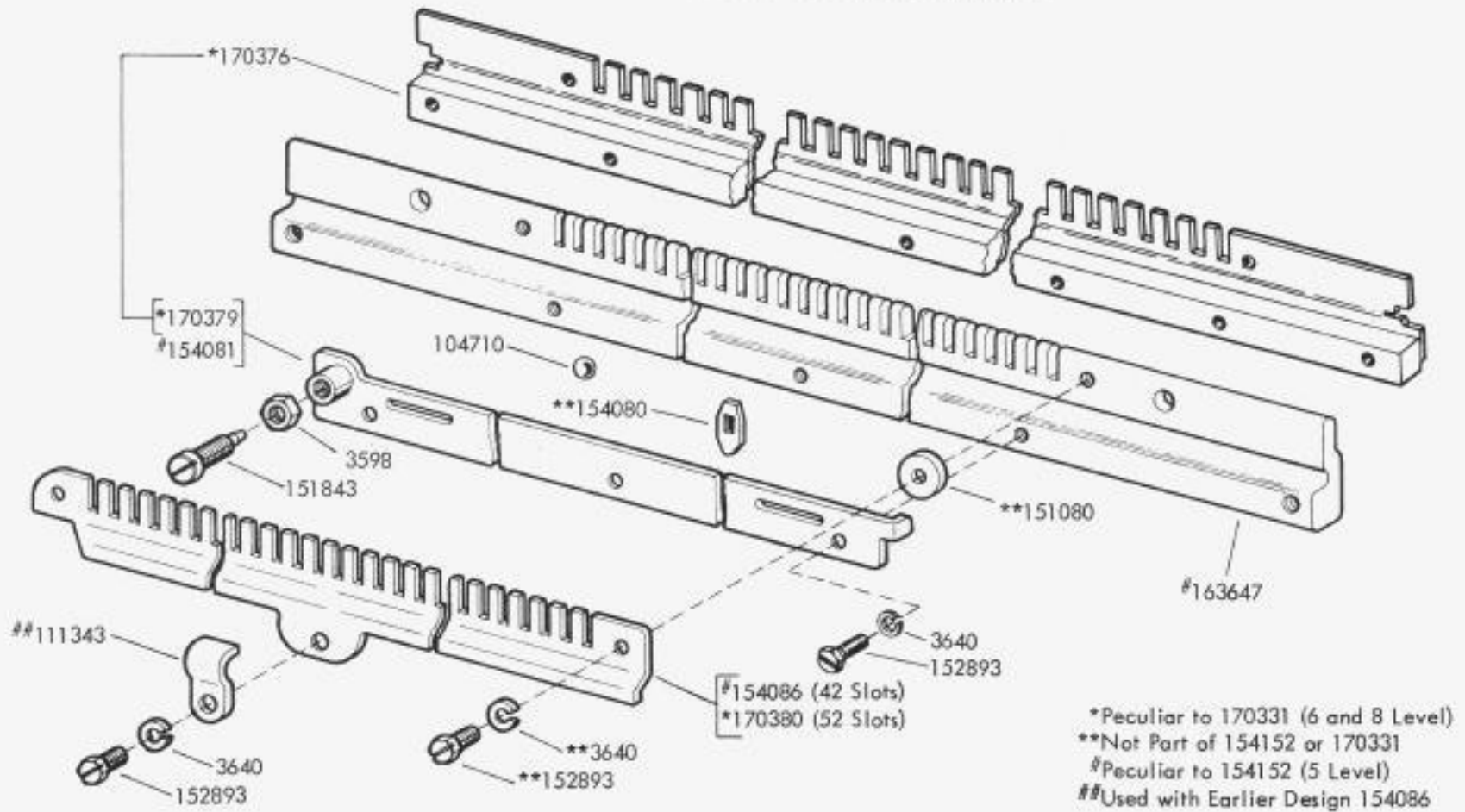
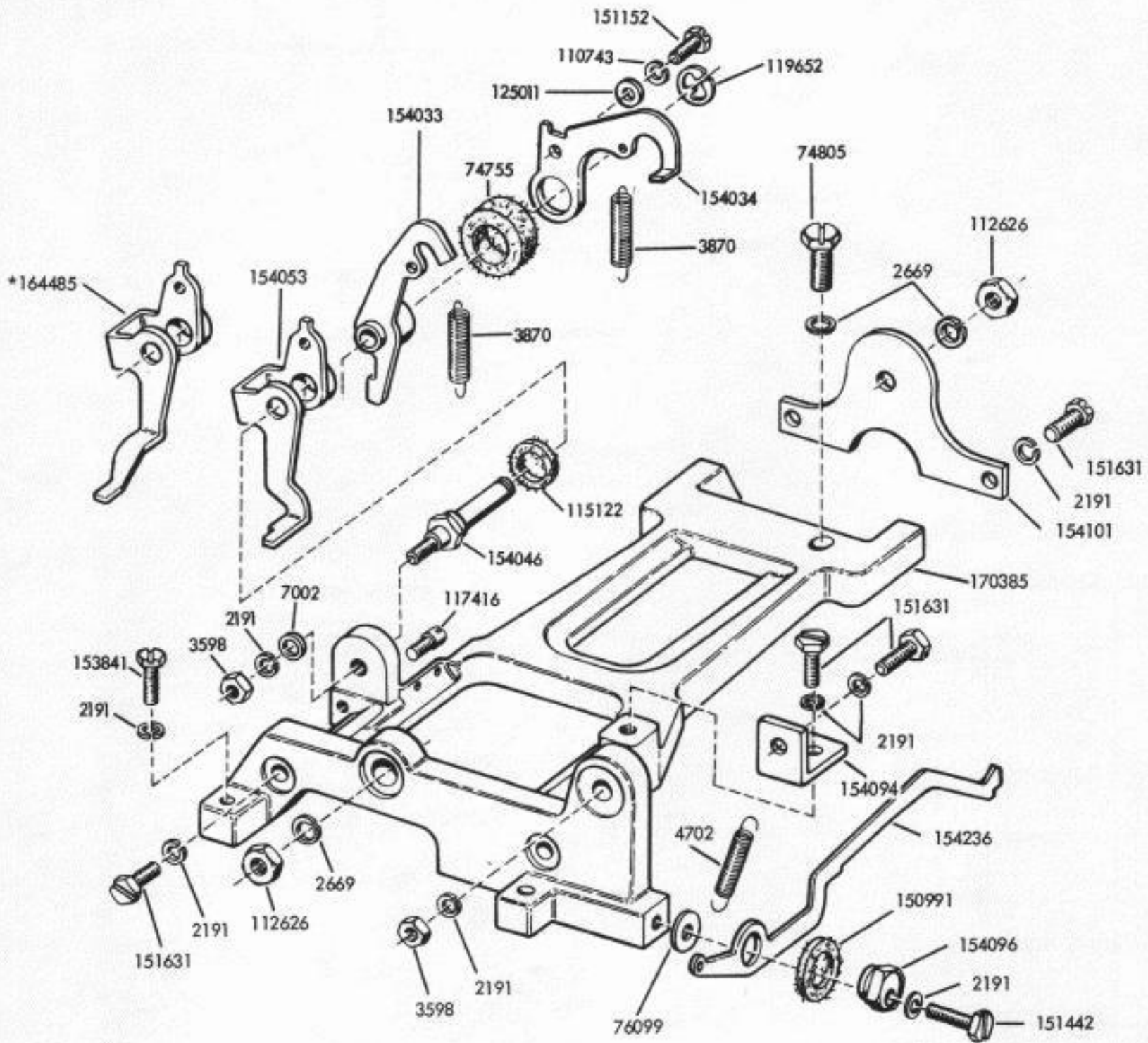
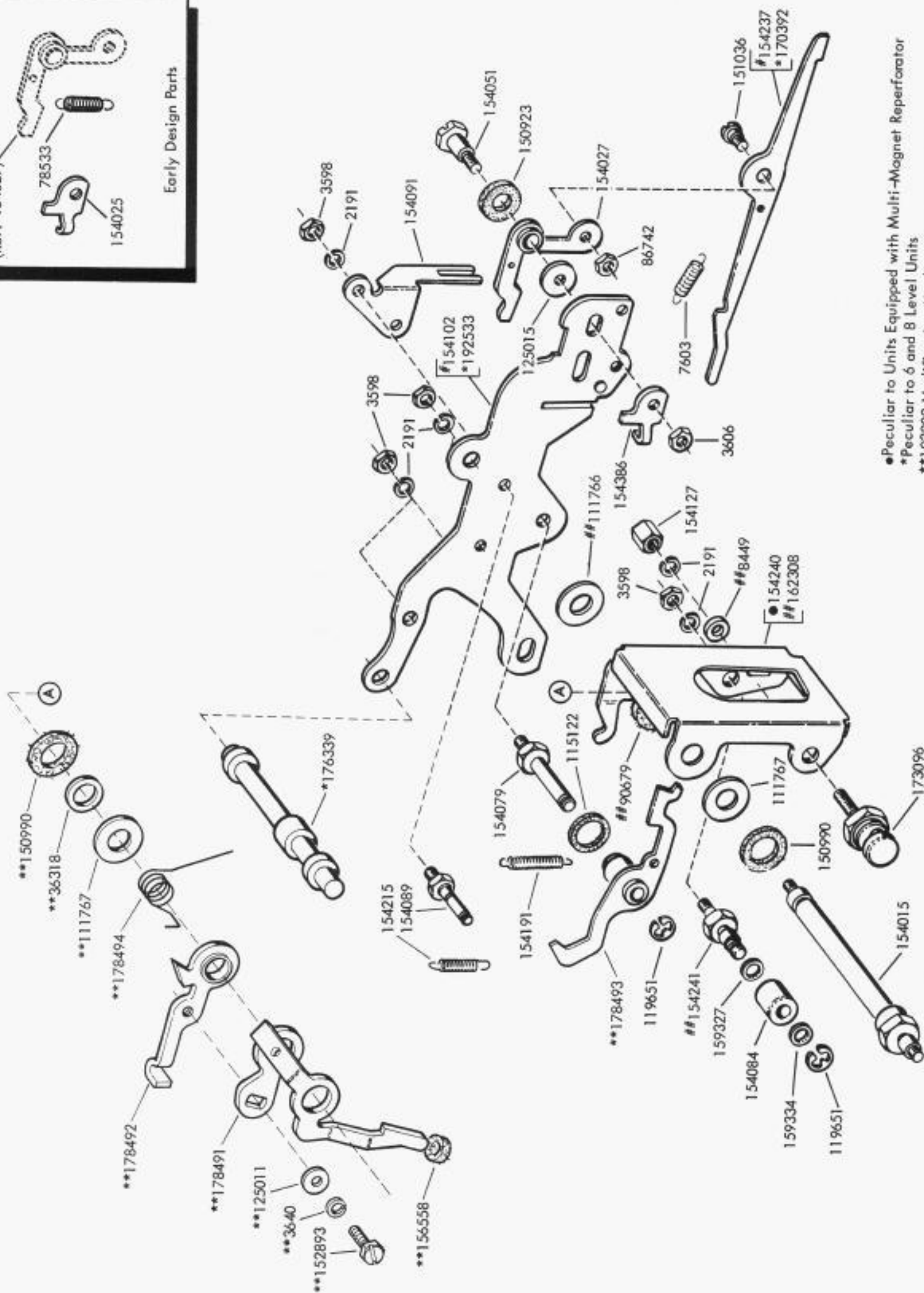
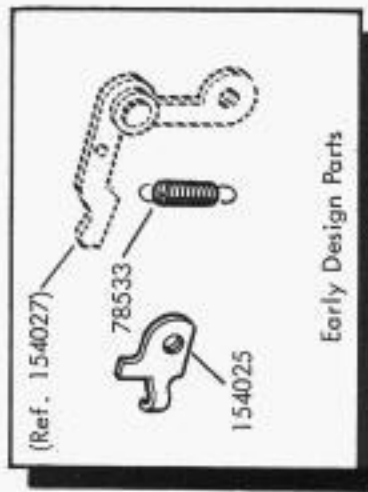


FIGURE 1-17. 154152 AND 170331 BALL LOCK BAR ASSEMBLIES



*Peculiar to Units Equipped with Synchronous Pulsed Transmission (See Fig. 1-34)

FIGURE 1-18. SIGNAL GENERATOR FRAME MECHANISM



- Peculiar to Units Equipped with Multi-Magnet Reperforator
- * Peculiar to 6 and 8 Level Units
- ** 193802 Modification Kit (Specification 501215)
- # Peculiar to 5 Level Units
- ## Part of 154351 Modification Kit (See Figure 1-13)

FIGURE 1-21. SIGNAL GENERATOR REAR PLATE MECHANISM

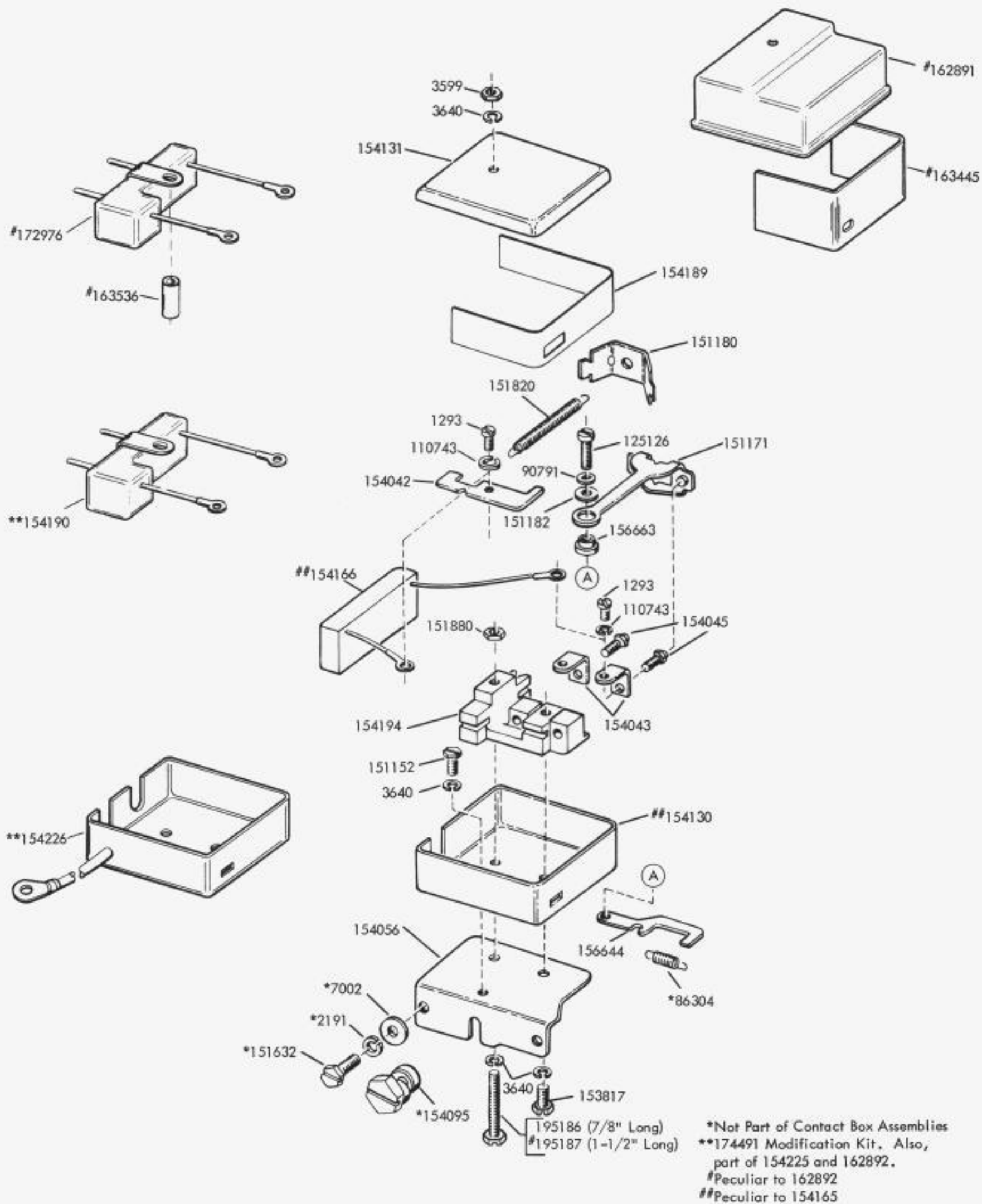
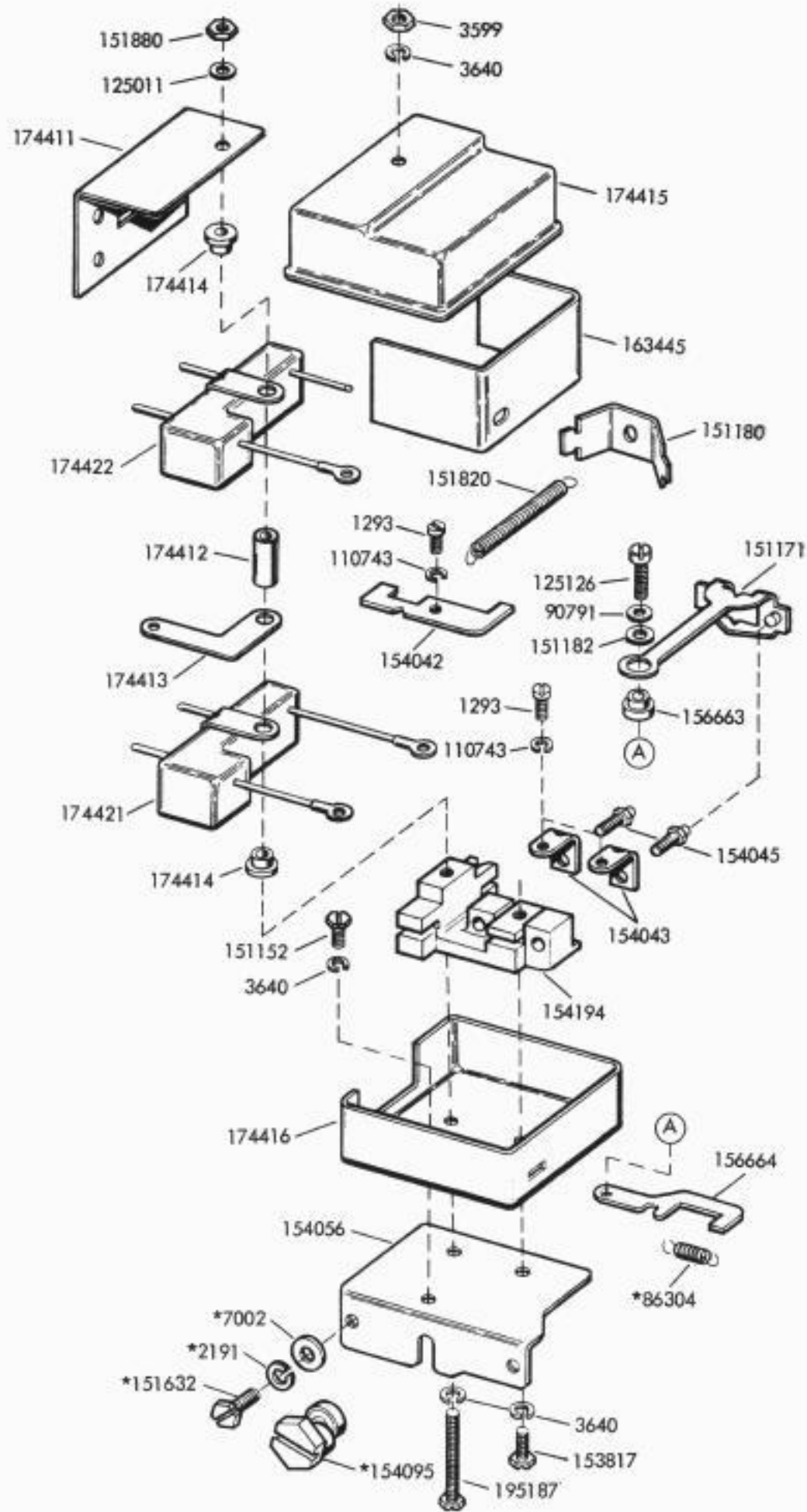


FIGURE 1-22. 154165 (W/ARC SUPPRESSION), 154225 (W/RF SUPPRESSION)- NEUTRAL TRANSMISSION AND 162892 (W/RF SUPPRESSION - POLAR TRANSMISSION) CONTACT BOX ASSEMBLIES



*Not Part of 174410

FIGURE 1-23. 174410 CONTACT BOX ASSEMBLY W/RF SUPPRESSION - POLAR TRANSMISSION
(SHIELDED SIGNAL LINES)

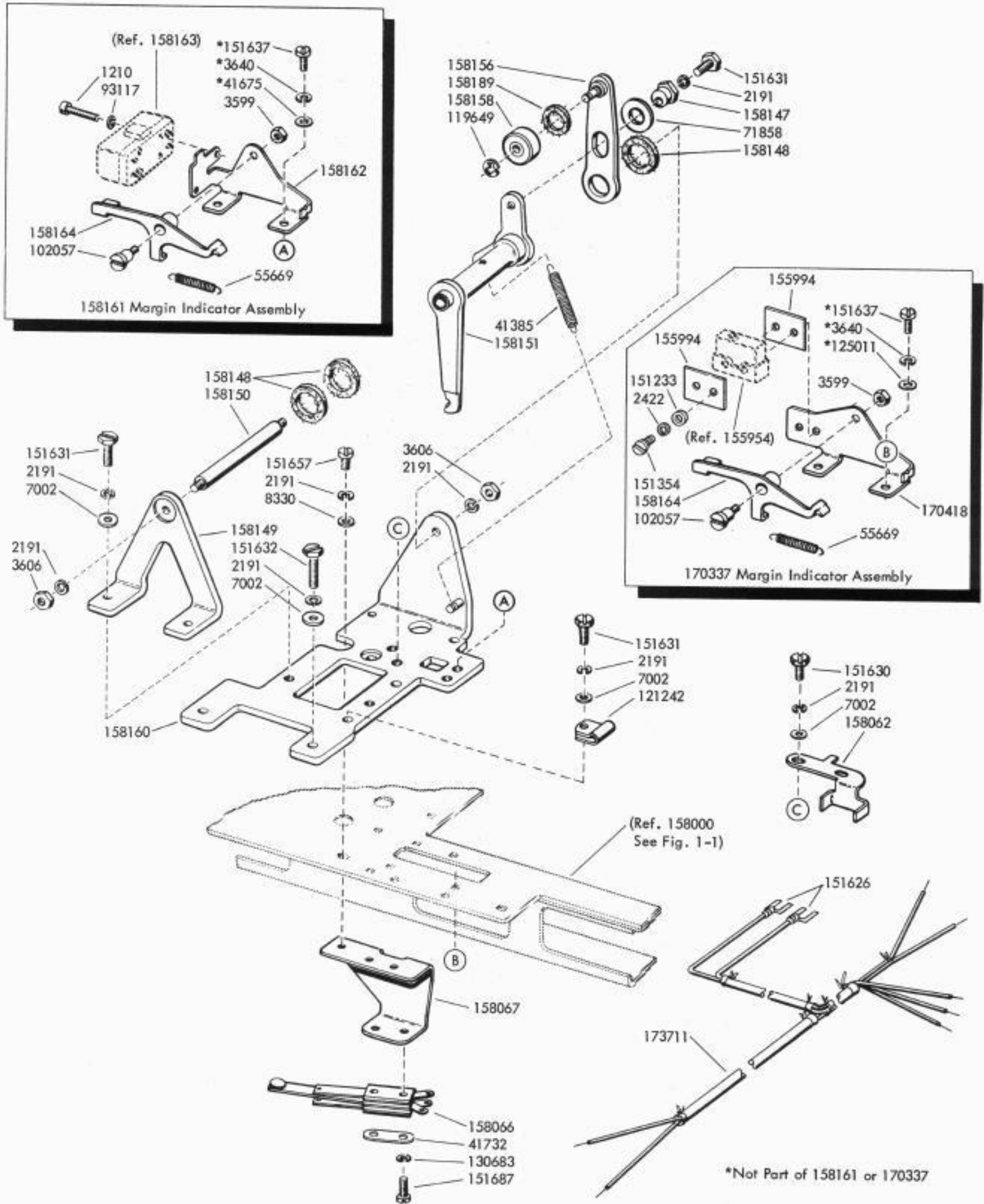


FIGURE 1-25. CAM FOLLOWER MECHANISM AND MARGIN INDICATOR ASSEMBLIES

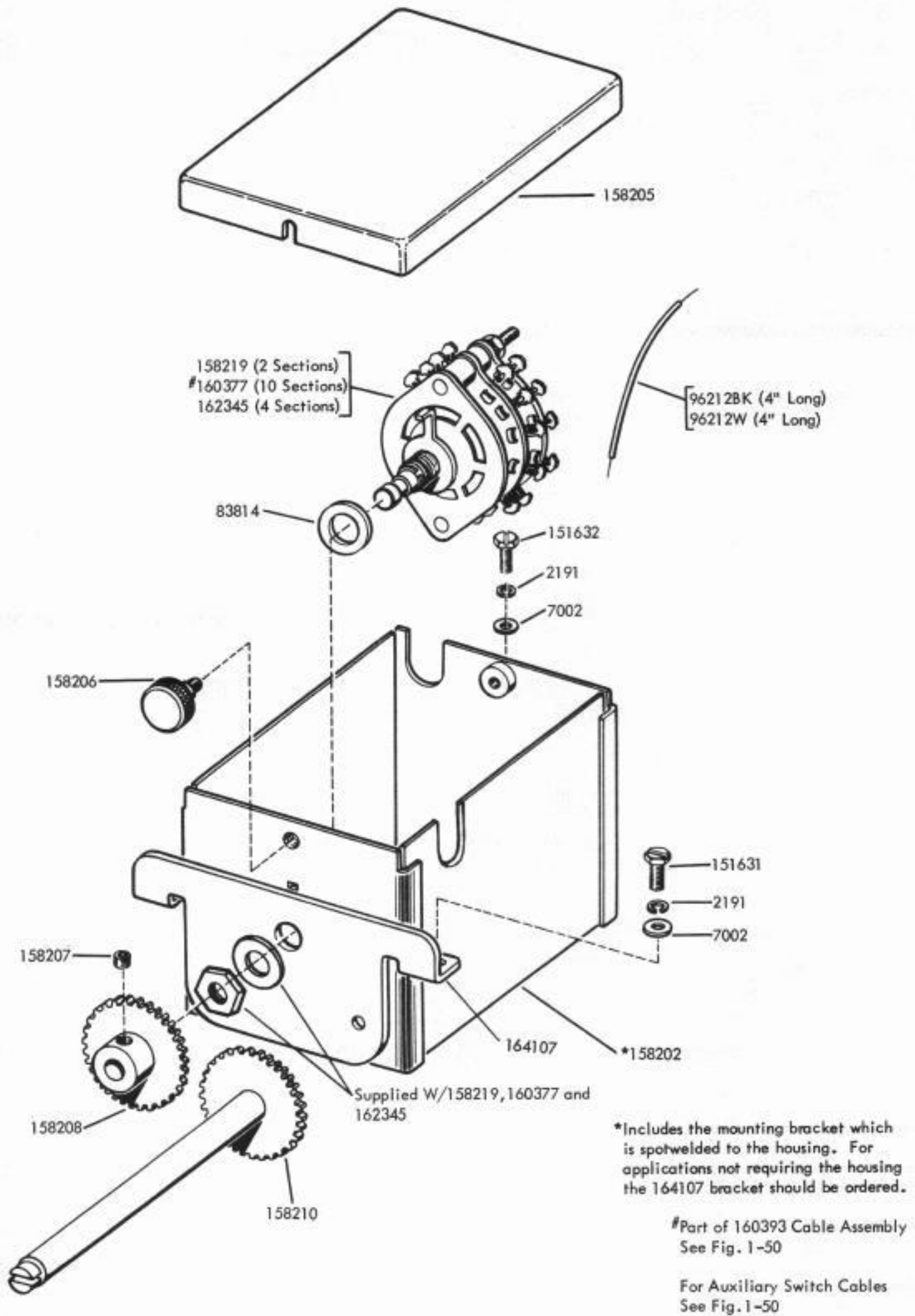


FIGURE 1-26. 158220, 159871 AND 162342 AUXILIARY SWITCH MECHANISM

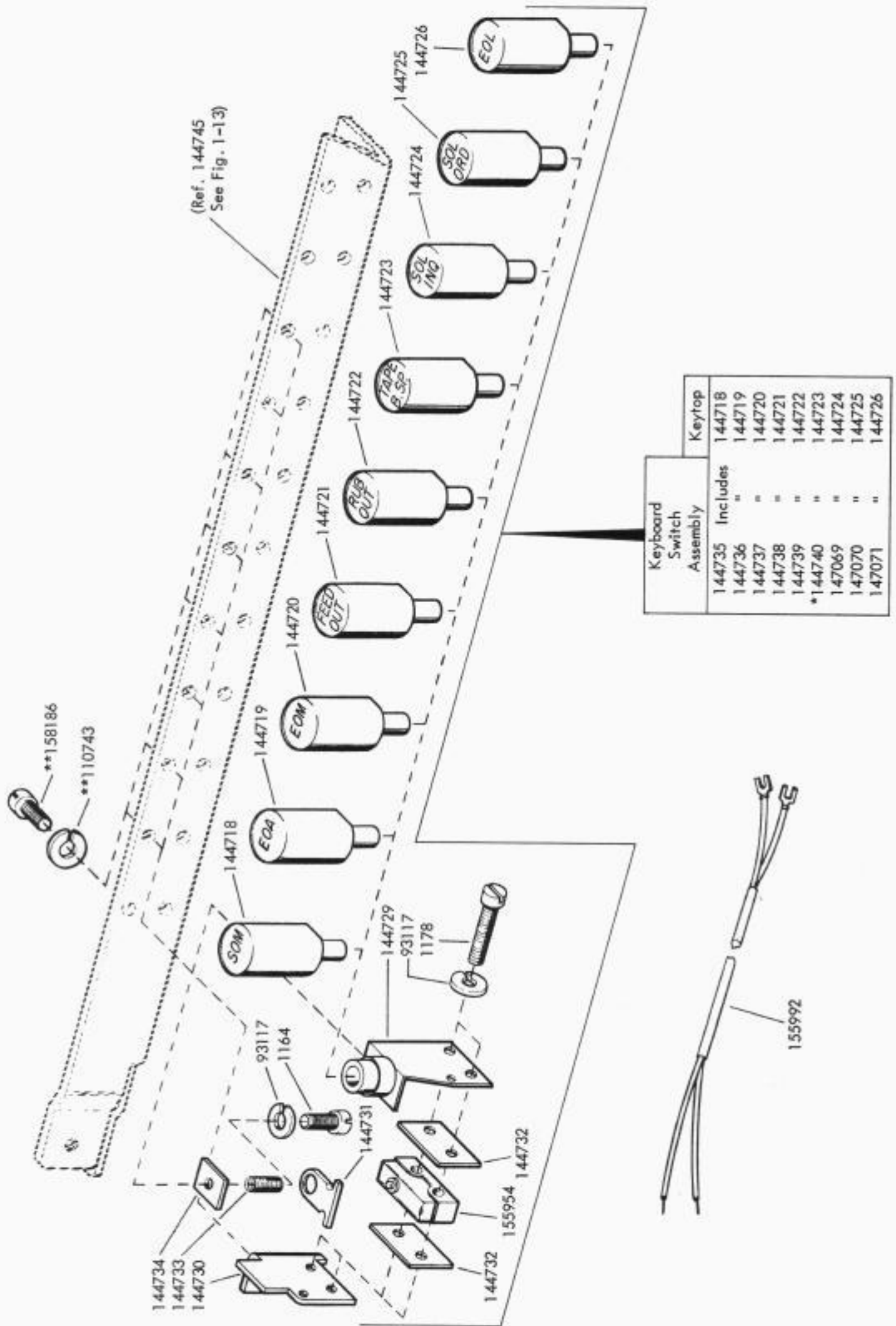


FIGURE 1-27. KEYBOARD SWITCH ASSEMBLIES

*Also Includes 155992 Cable Assembly
 **Not Part Of Keyboard Switch Assemblies

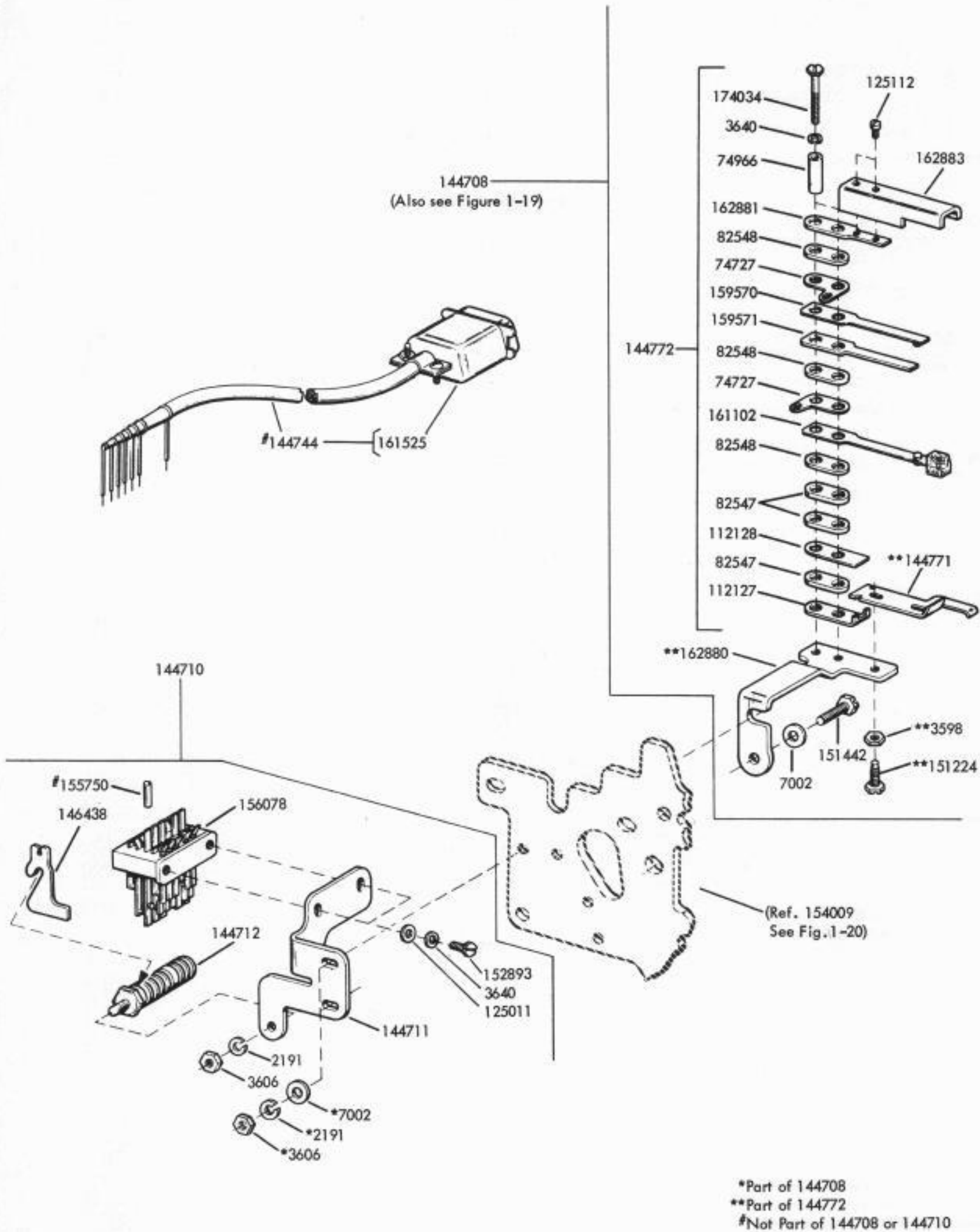


FIGURE 1-28. 144708 (FUNCTION MAGNET CONTACT) AND 144710 (CODE READING CONTACTS) MODIFICATION KITS

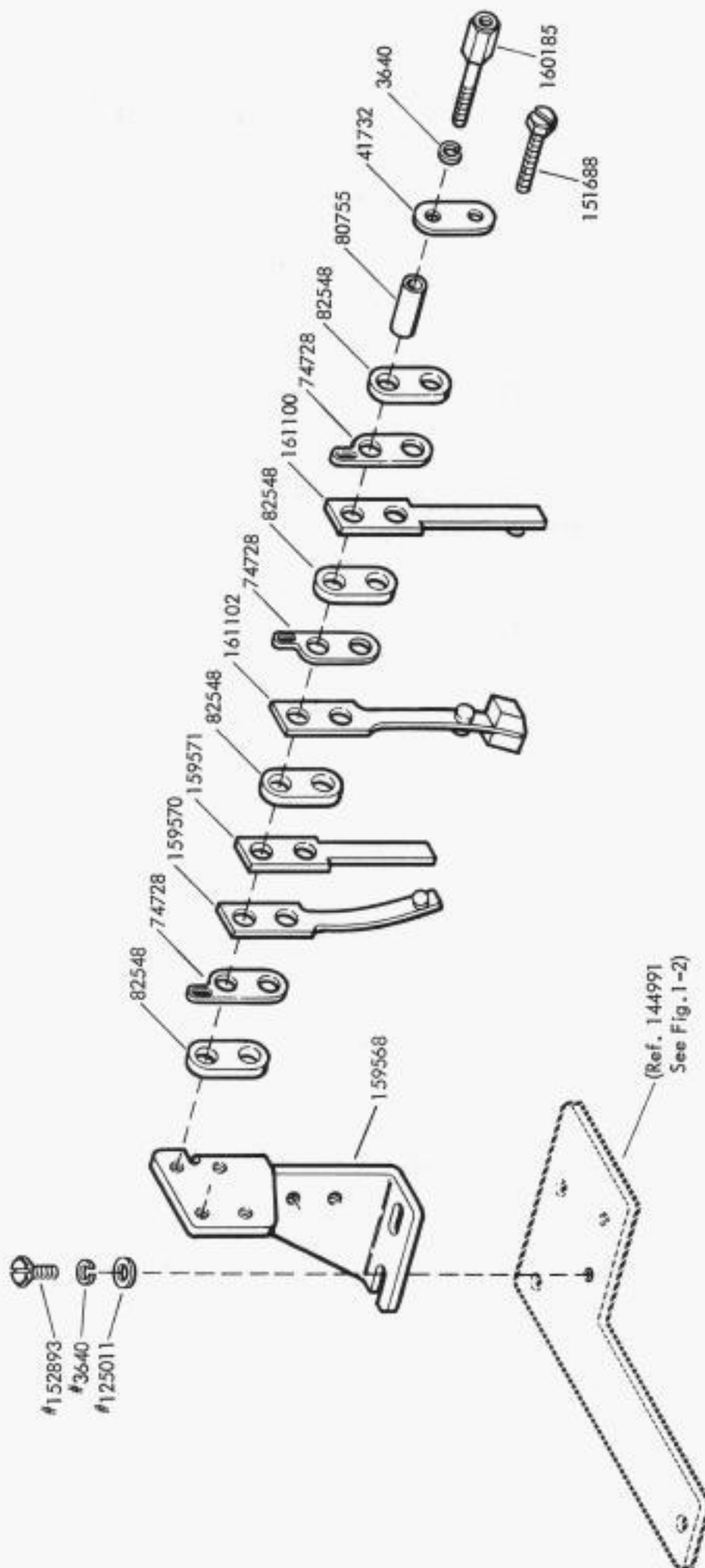


FIGURE 1-29. 144997 FIGURES - LETTERS CONTACT ASSEMBLY

#Not Part of 144997

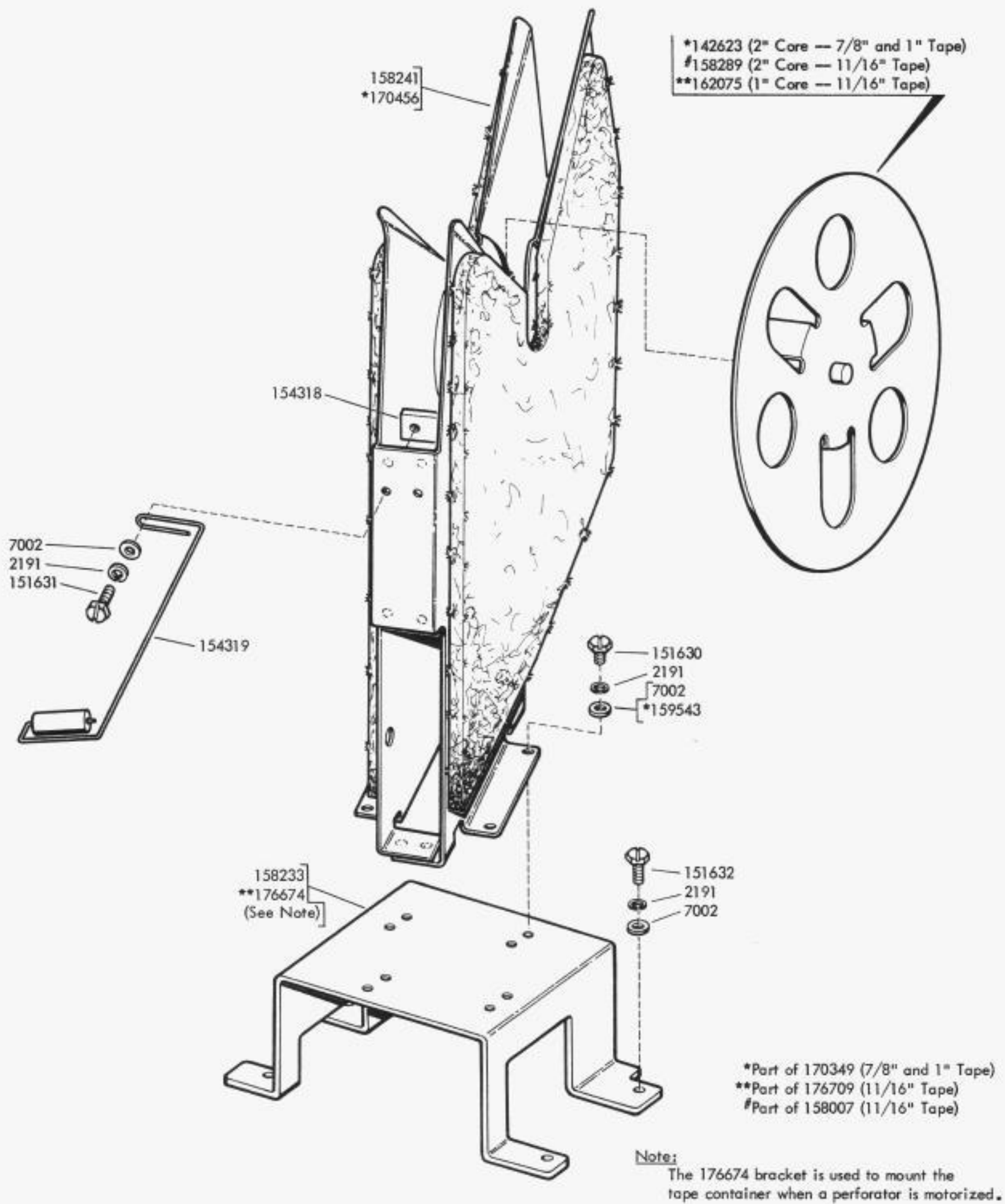


FIGURE 1-30. 158007, 170349 AND 176709 TAPE CONTAINER ASSEMBLIES

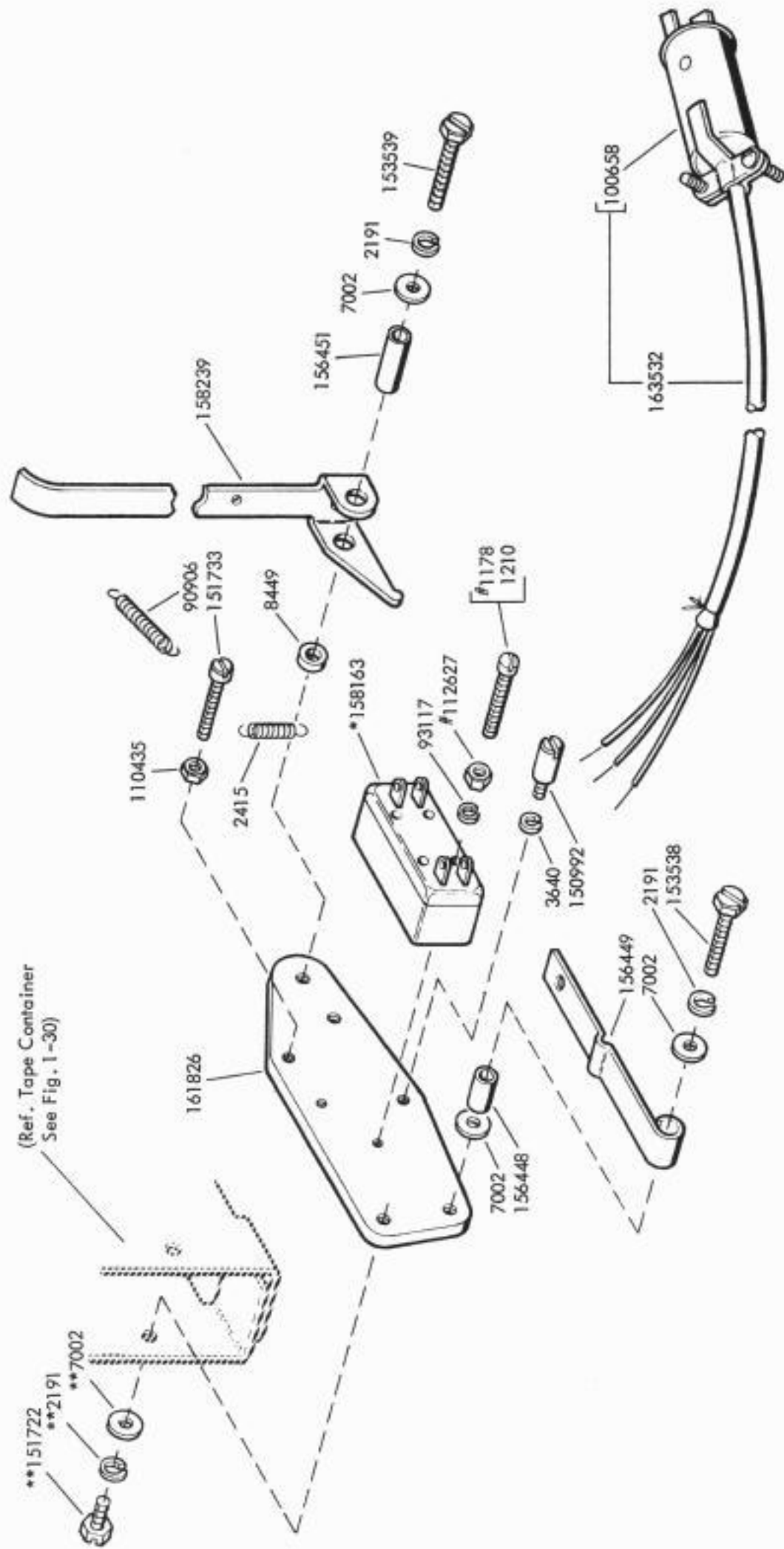


FIGURE 1-31. 163531 TAPE-OUT SWITCH ASSEMBLY

*Part of 163532
 **Not Part of 163531 Assembly
 #Peculiar to Units Not Equipped
 with Tape-Out Switch

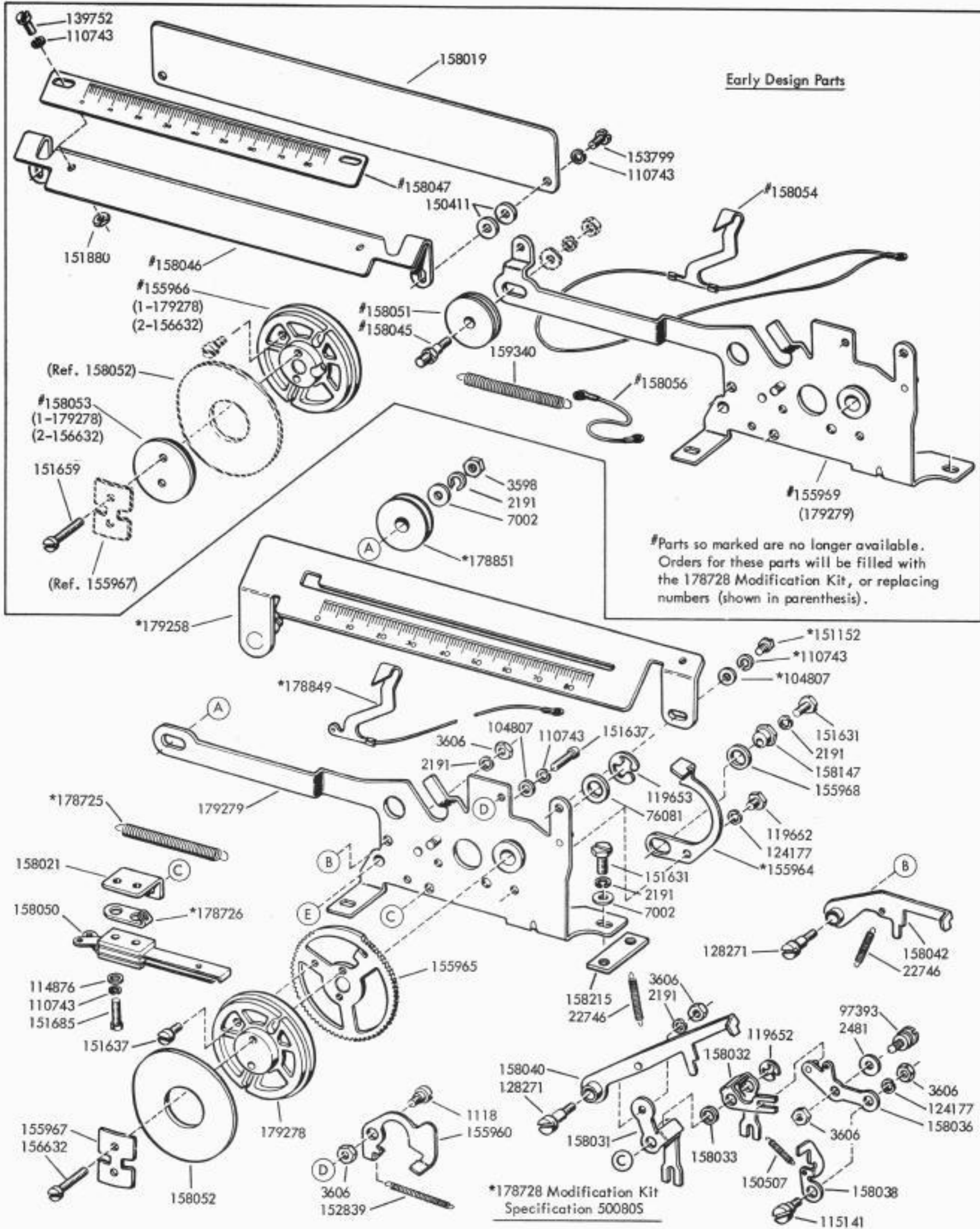


FIGURE 1-32. 155990 CHARACTER COUNTER ASSEMBLY

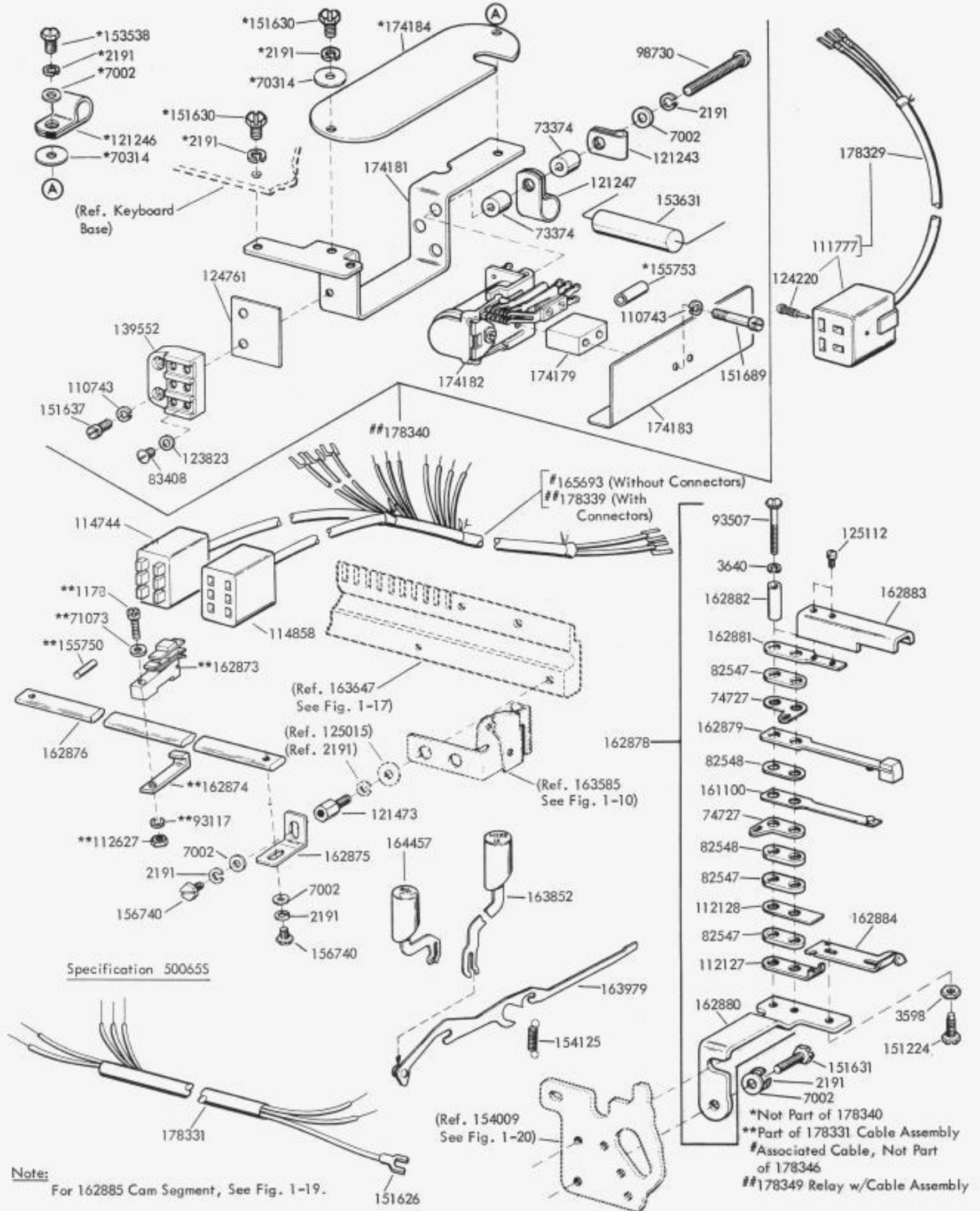


FIGURE 1-33. 178346 MODIFICATION KIT TO EQUIP KEYBOARD WITH ANSWER-BACK CONTROL

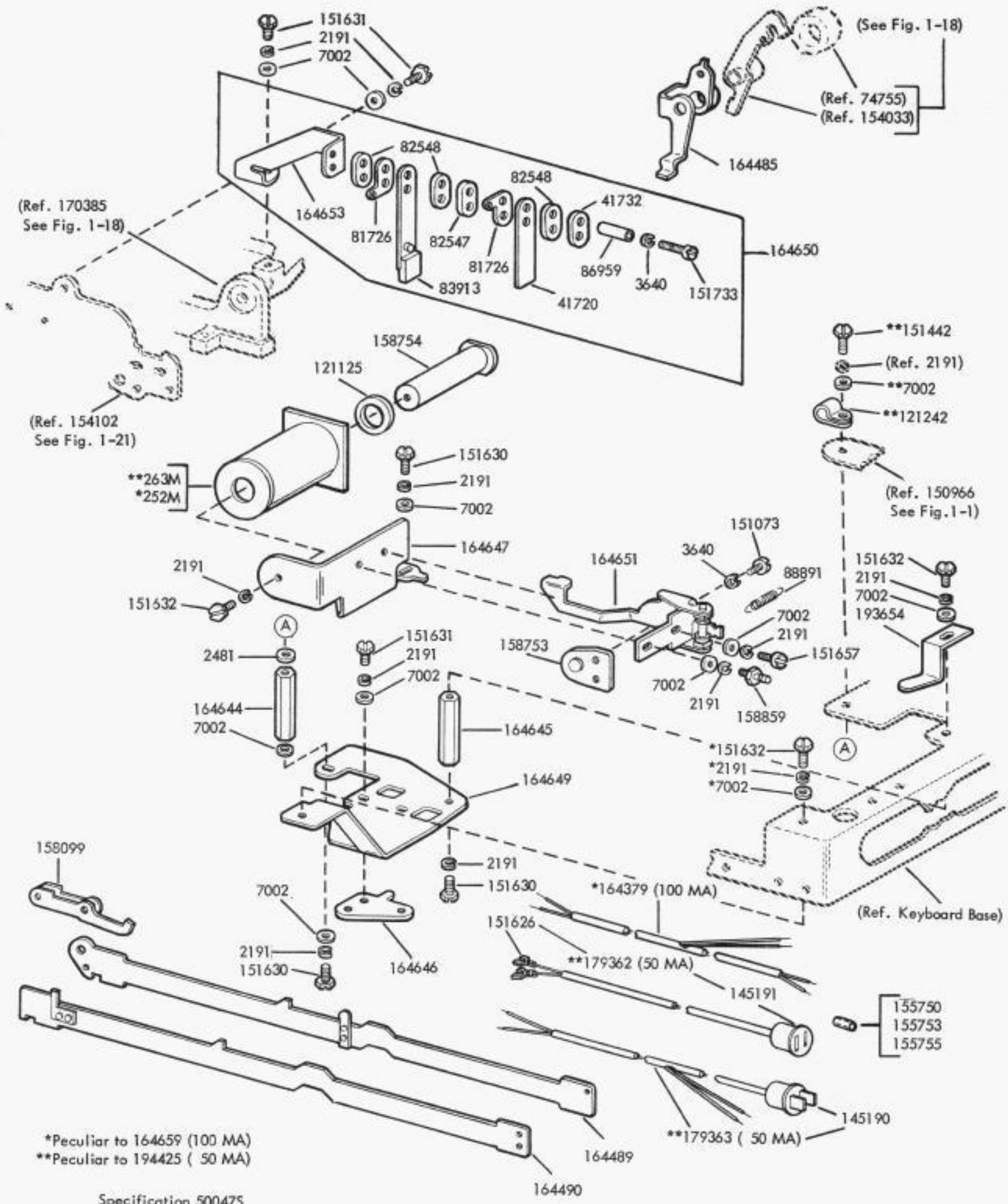


FIGURE 1-34. 164659 (100 MA) AND 194425 (50 MA) MODIFICATION KITS TO PROVIDE SYNCHRONOUS PULSED TRANSMISSION

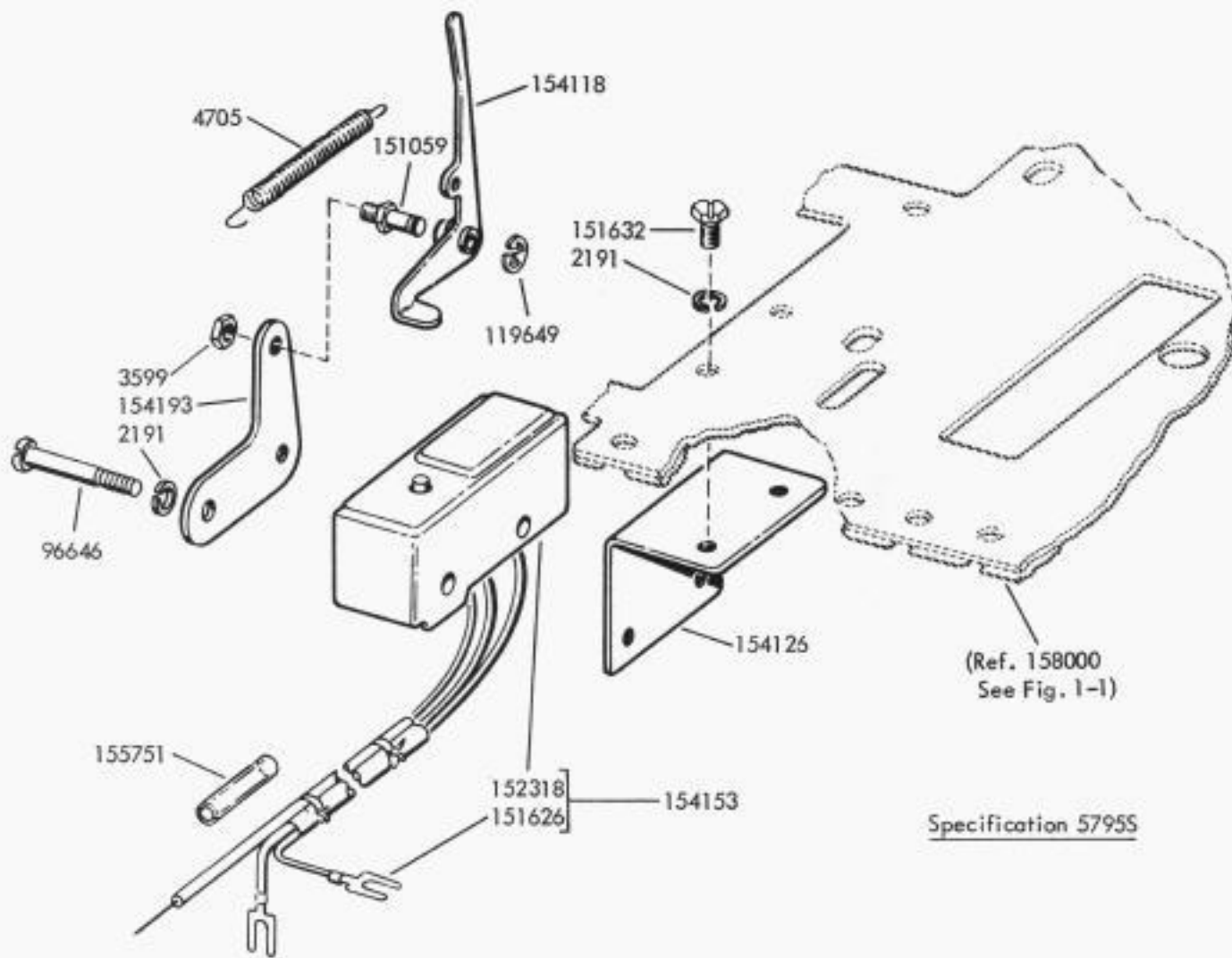


FIGURE 1-35. 154147 MODIFICATION KIT TO PROVIDE LOCAL PAPER FEED-OUT MOTOR STARTING MECHANISM

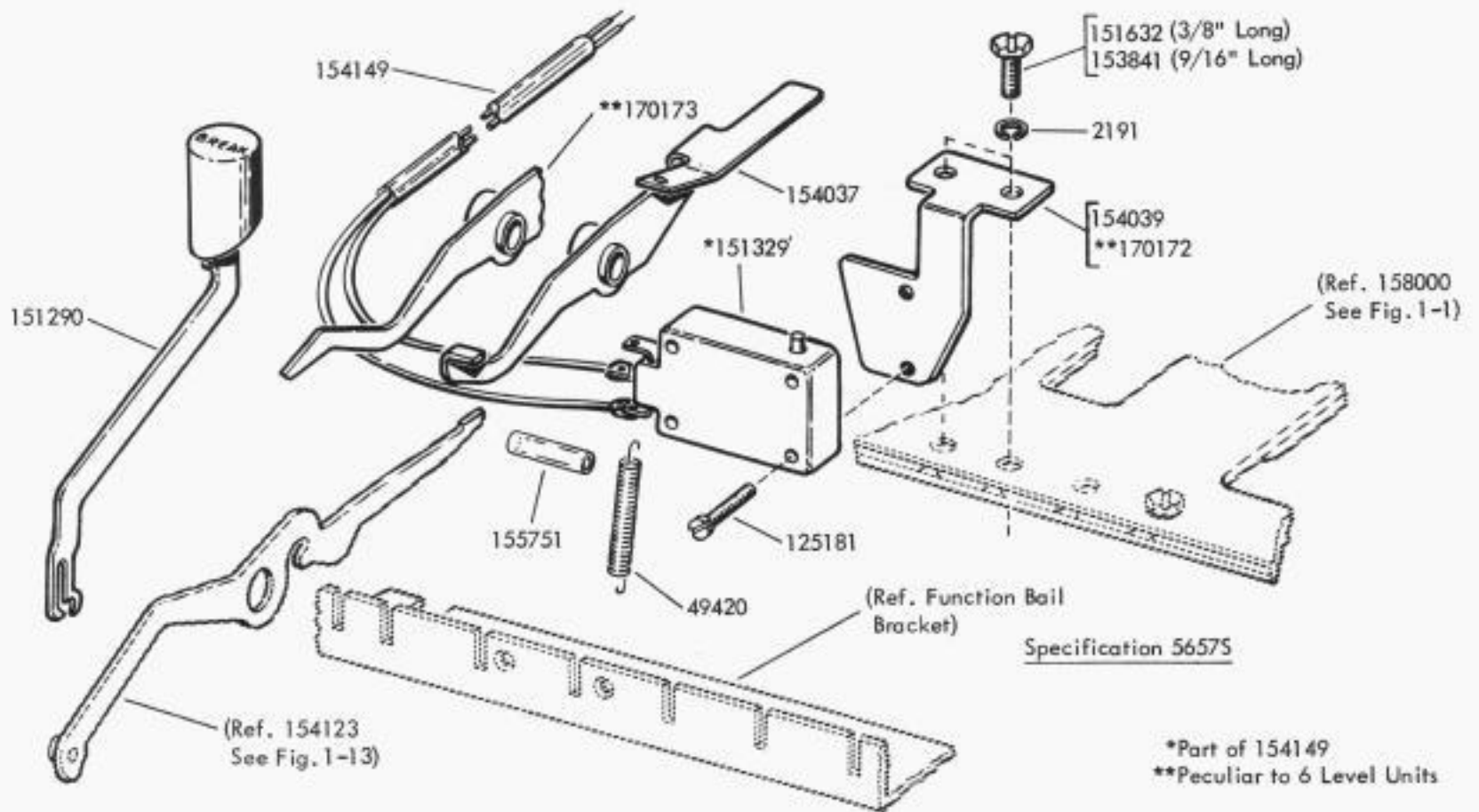


FIGURE 1-36. 154141 MODIFICATION KIT TO PROVIDE ELECTRICAL SIGNAL LINE BREAK MECHANISM

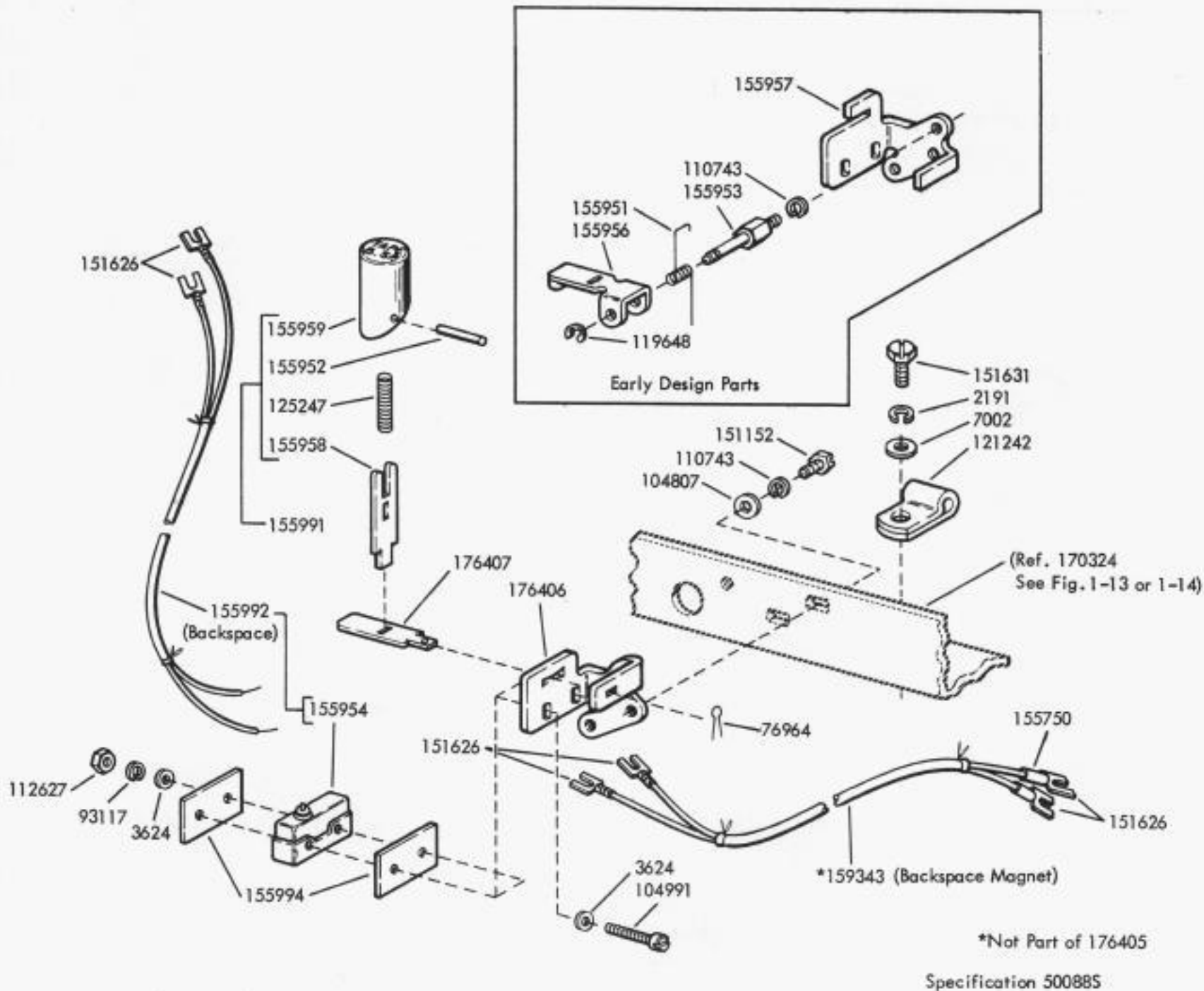


FIGURE 1-37. 176405 MODIFICATION KIT TO ADD TAPE BACKSPACE BUTTON

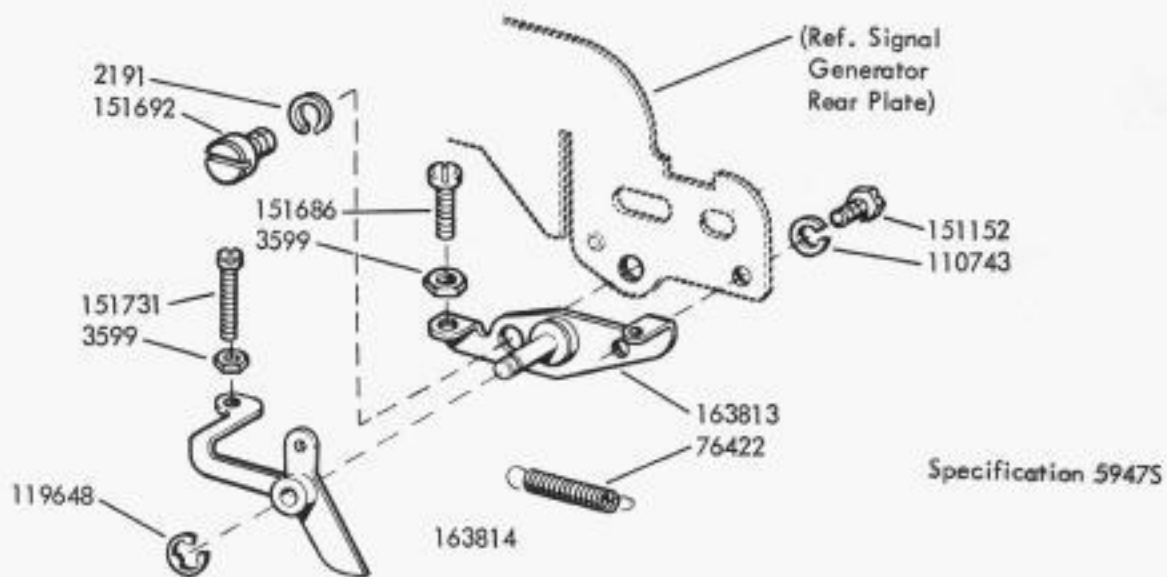
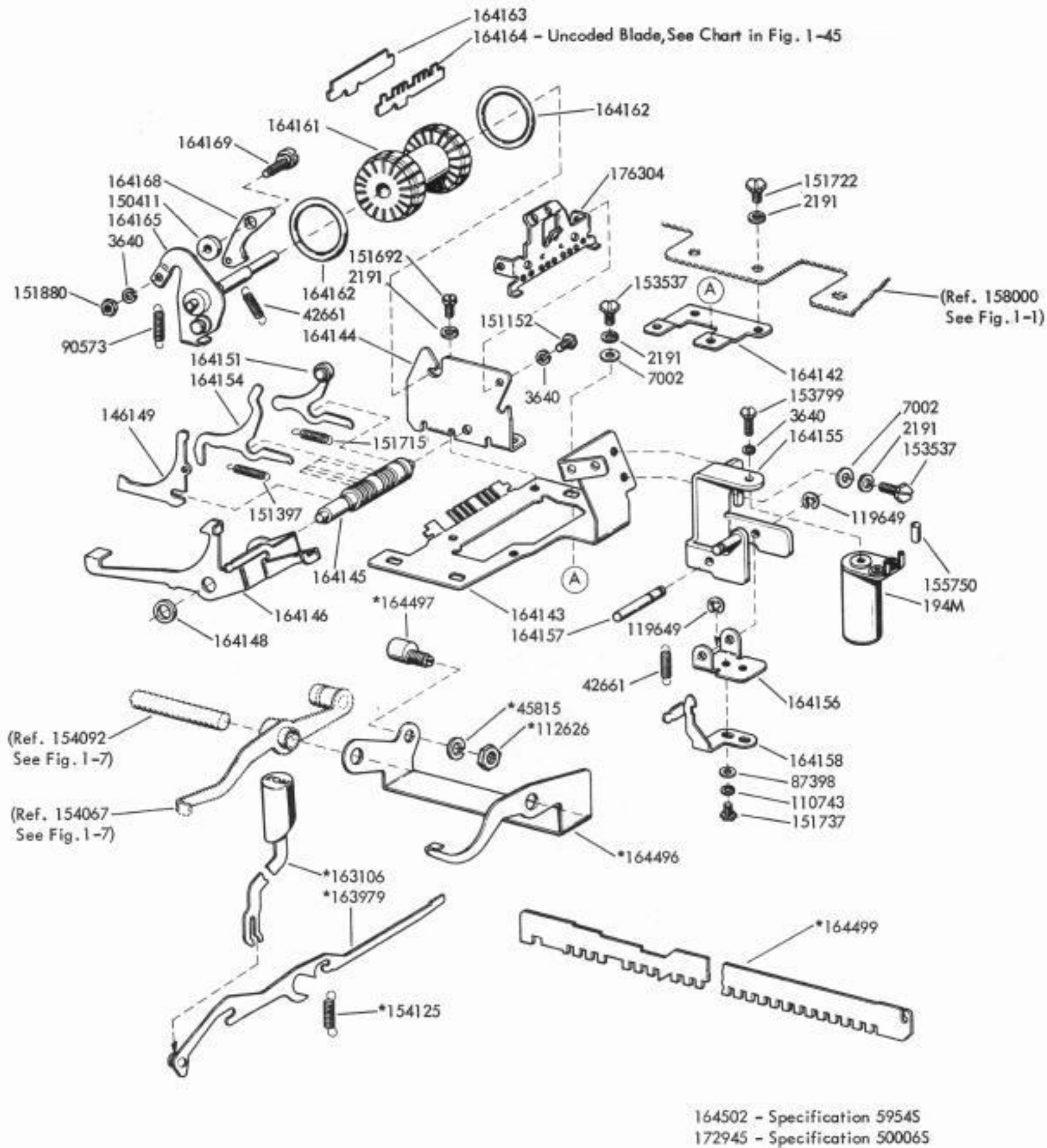


FIGURE 1-38. 163775 MODIFICATION KIT TO PROVIDE REPEAT ON SPACE MECHANISM



*Peculiar to 164502 Only

FIGURE 1-40. 164502 (END OF MESSAGE GENERATOR) AND 172945 (ANSWER-BACK) MODIFICATION KITS - SEE FIGS. 1-41, 1-42 AND 1-43.

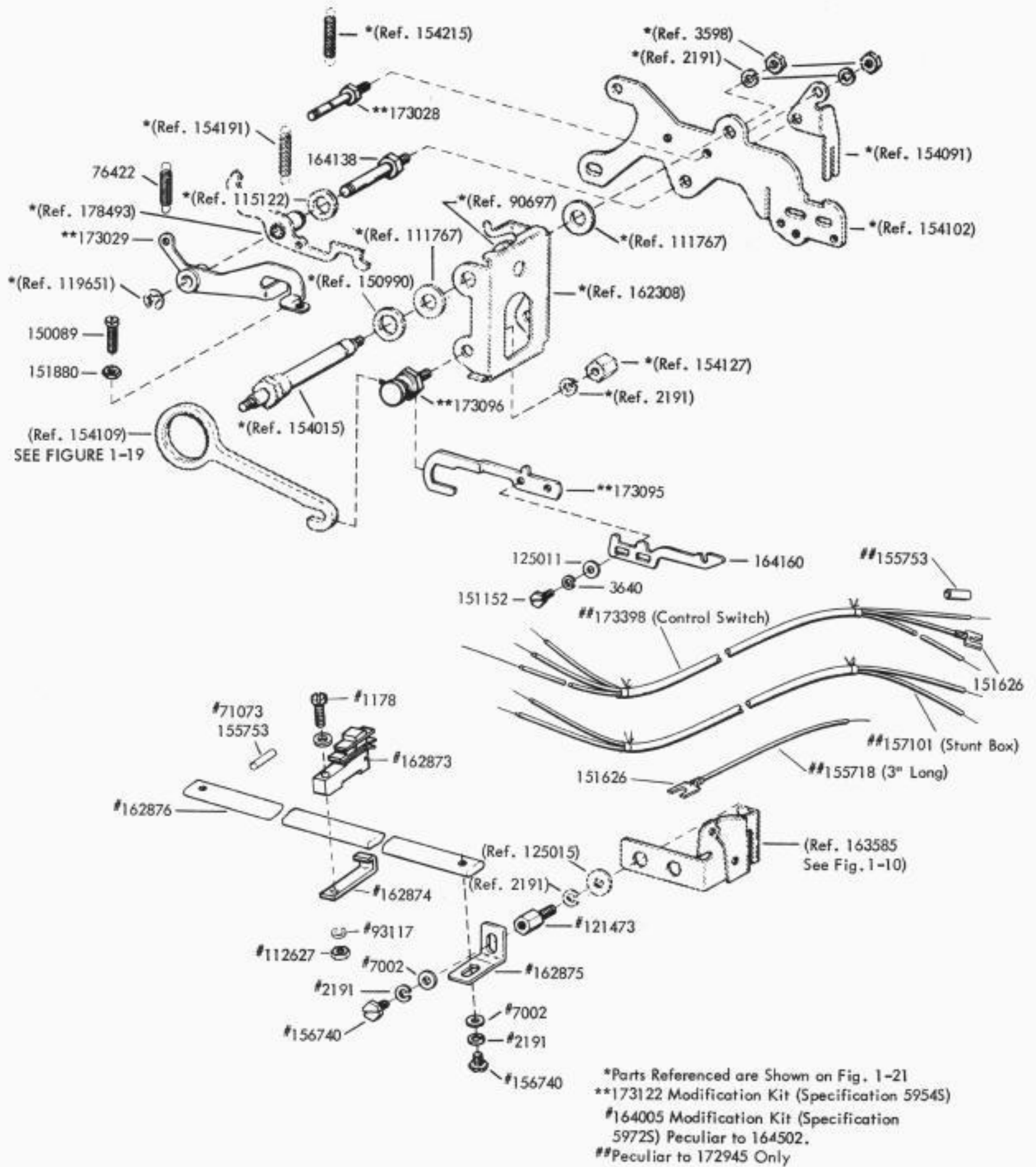


FIGURE 1-41. 164502 (END OF MESSAGE GENERATOR) AND 172945 (ANSWER-BACK) MODIFICATION KITS - SEE FIGS. 1-40, 1-42 AND 1-43.

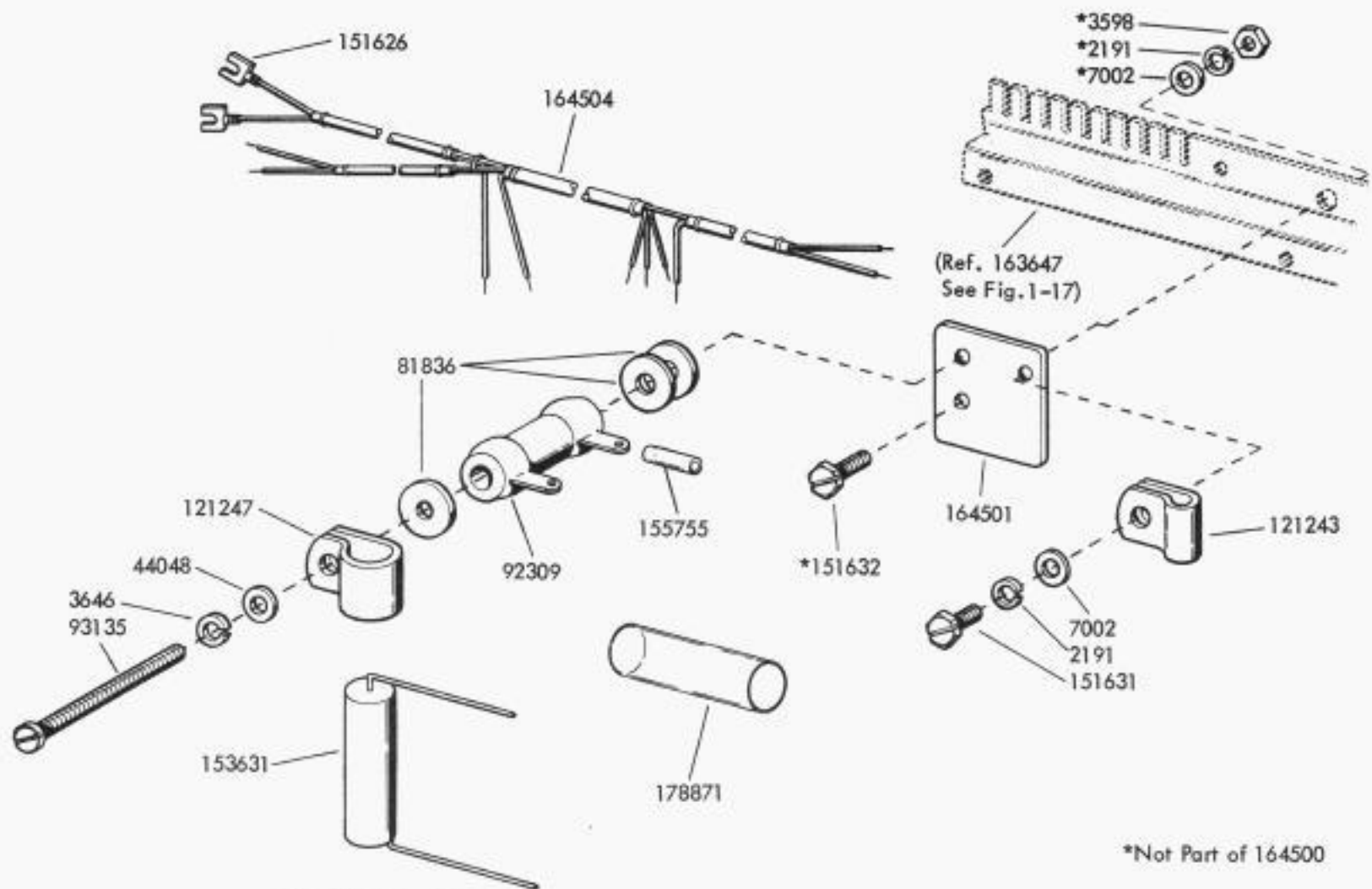


FIGURE 1-42. 164500 RESISTOR ASSEMBLY (PART OF 164502 MODIFICATION KIT - SEE FIGS. 1-40 AND 1-41)

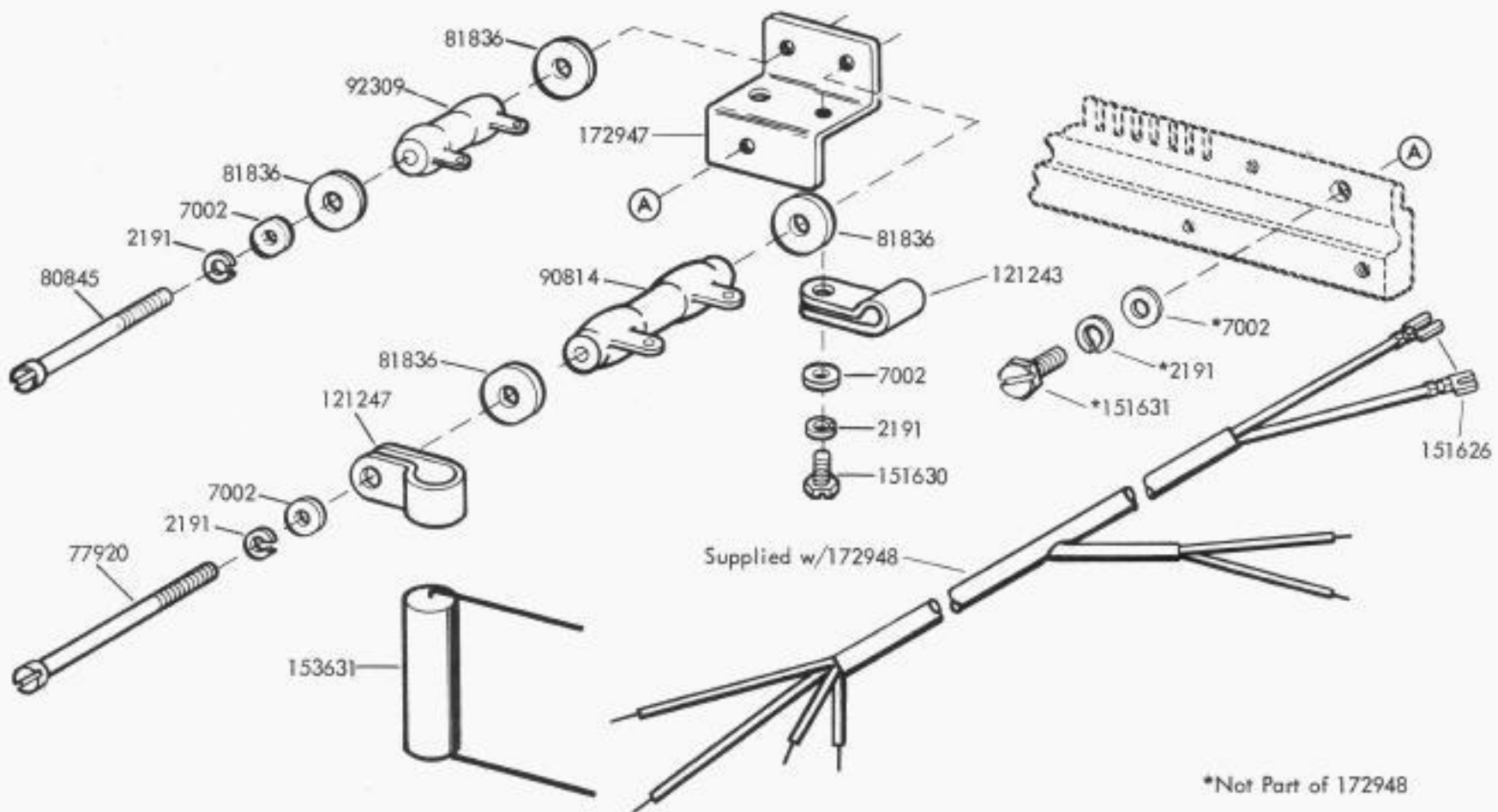


FIGURE 1-43. 172948 RESISTOR ASSEMBLY (PART OF 172945 MODIFICATION KIT - SEE FIGS. 1-40 AND 1-41)

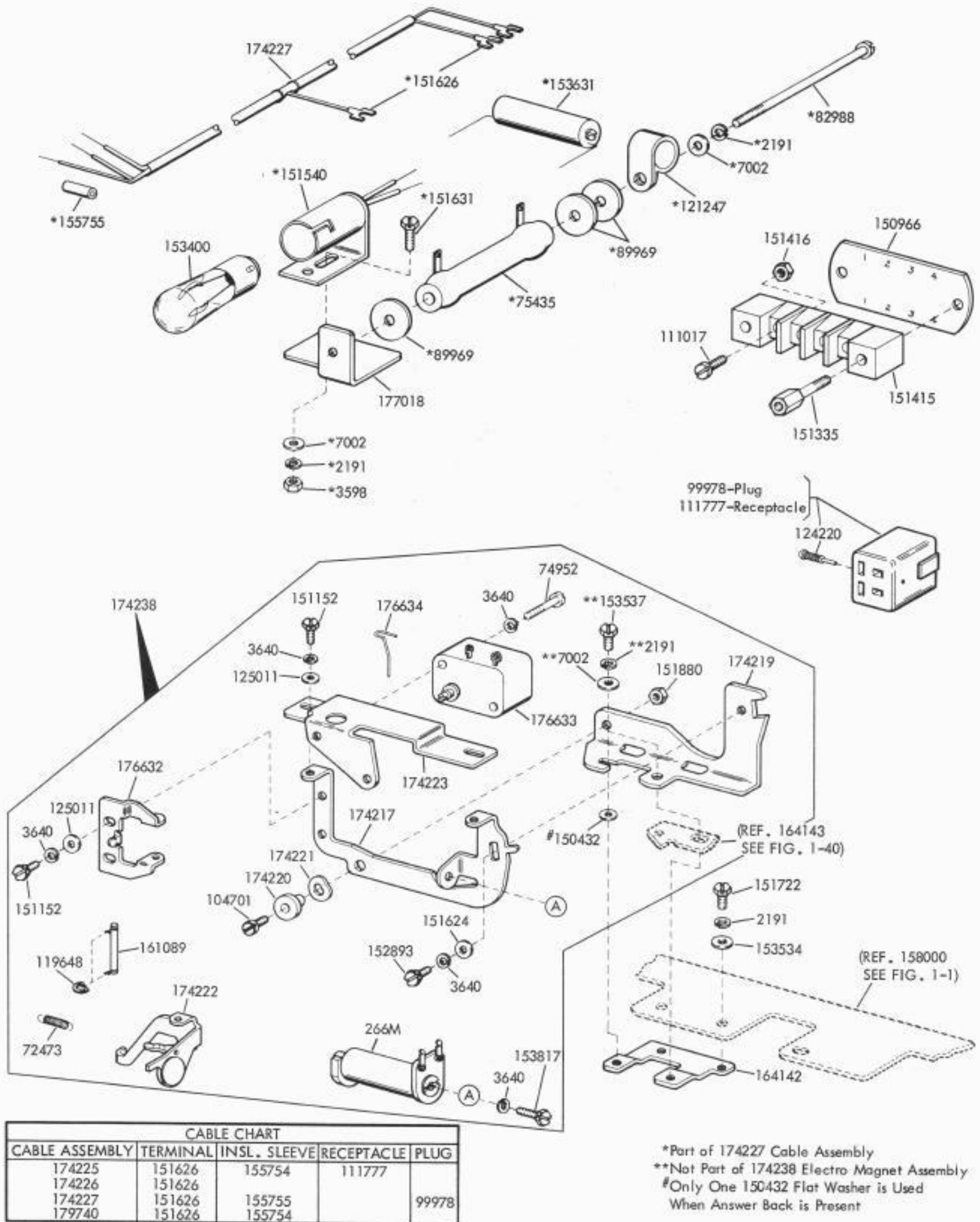


FIGURE 1-44. 164426 MODIFICATION KIT TO ADD HORIZONTAL TAB DISABLER

CHARACTER	CODE				
	1	2	3	4	5
A	X	X			
B	X			X	X
C		X	X	X	
D	X			X	
E	X				
F	X		X	X	
G		X		X	X
H			X		X
I		X	X		
J	X	X		X	
K	X	X	X	X	
L		X			X
M			X	X	X
N			X	X	
O				X	X
P		X	X	X	
Q	X	X	X	X	
R		X		X	
S	X		X		
T					X
U	X	X	X		
V		X	X	X	X
W	X	X			X
X	X		X	X	X
Y	X		X		X
Z	X				X
CARRIAGE RETURN				X	
LINE FEED		X			
LETTERS SHIFT	X	X	X	X	X
FIGURES SHIFT	X	X		X	X
SPACE			X		
BLANK					

— LEAVE TINE
 — REMOVE TINE

"O" POSITION TINE
 UNCODED BLADE
 SCORED LINES
 KEY

Coding Instructions for the Code Blades used in the Answer Back Feature on an LAK Keyboard Base.
 (See Figure 4-15 for Coding Instructions for the Transmitter Distributor Feature)

FIGURE 1-45. ENCODING THE KEYBOARD ANSWER-BACK DRUM BLADE

For Ref. See Fig. 1-40.

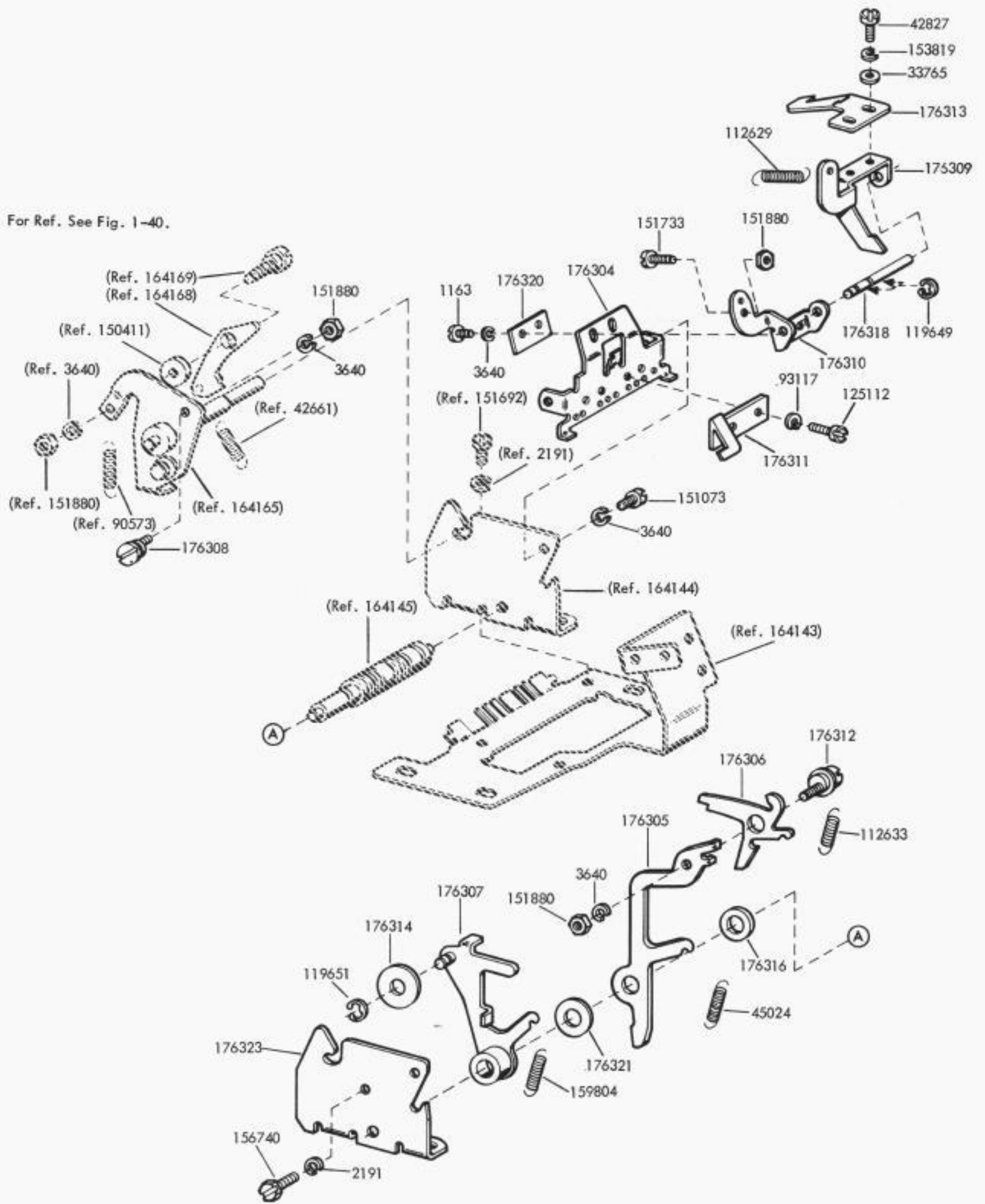


FIGURE 1-46. 176395 MODIFICATION KIT TO PROVIDE LOCK BAR RESET TO ANSWER-BACK

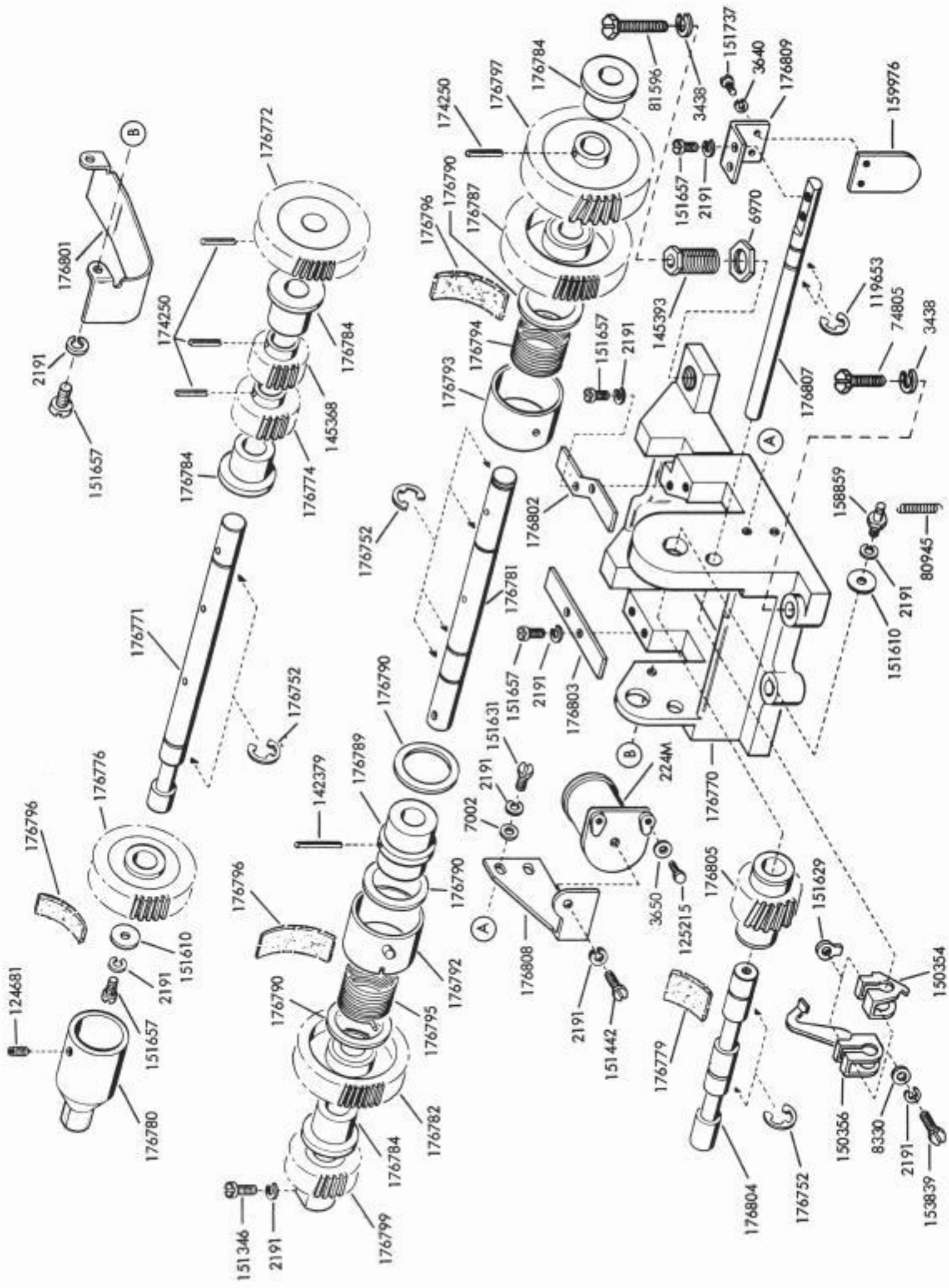


FIGURE 1-47. REMOTE CONTROL SPEED SHIFT GEAR MECHANISM

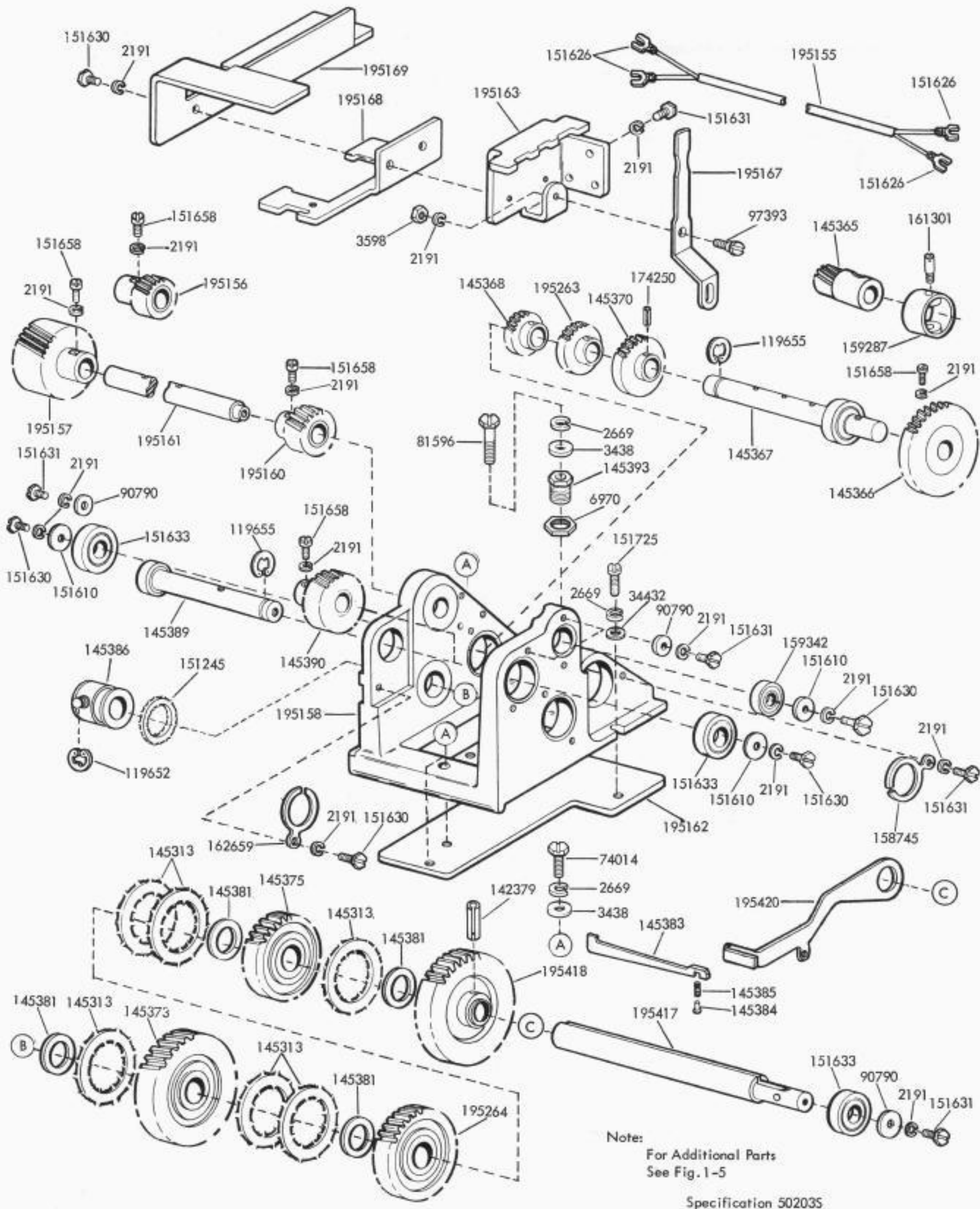
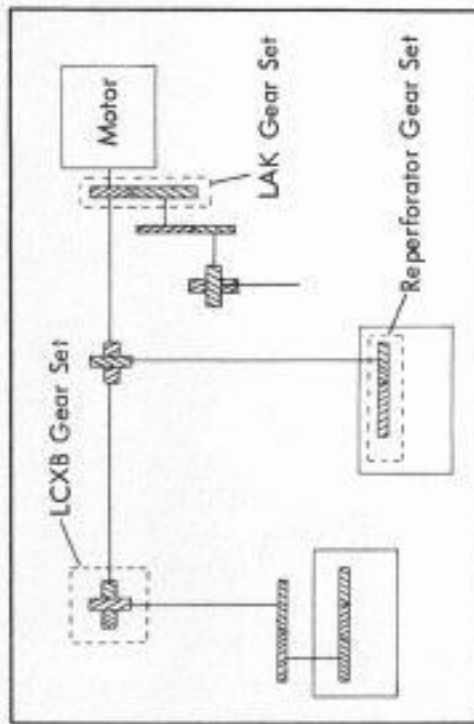
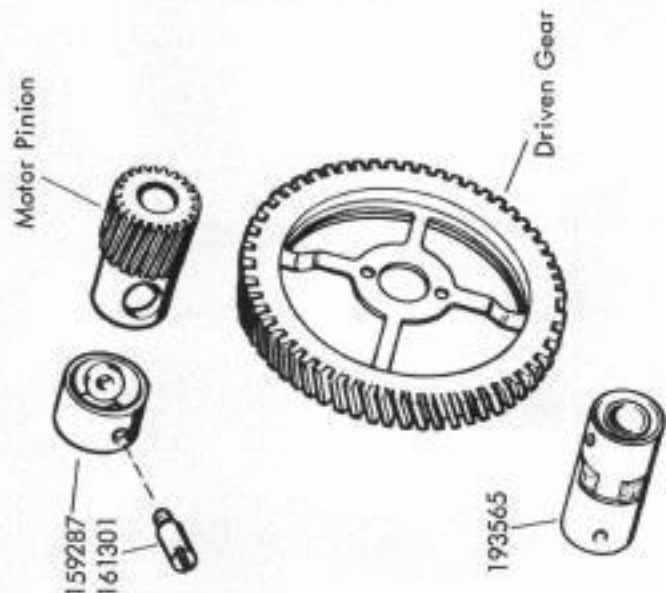
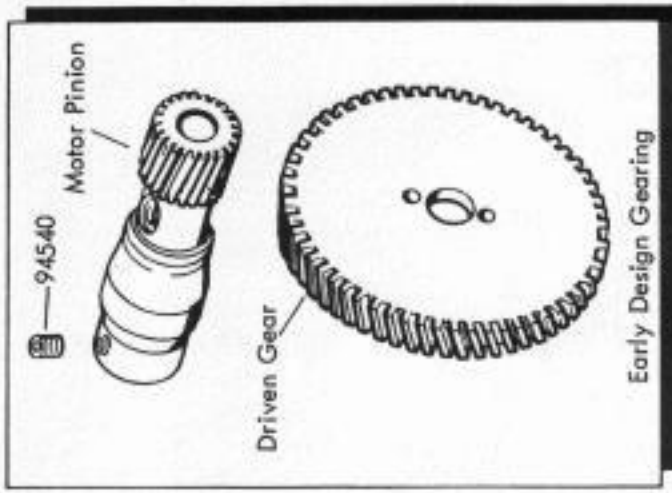


FIGURE 1-48. 195154 MODIFICATION KIT TO ADD THREE SPEED GEAR SHIFT TO KEYBOARD



*Includes keyboard and single TD gear sets only.
 **Modification Kit including keyboard and single TD gear sets and the 193565 coupling (required when replacing an early style gear set).
 #Includes keyboard, single TD base and reperforator gear sets.
 ##Includes keyboard, dual TD base and reperforator gear sets.

WPM/OPM Baud Unit Code	65/390 45.5 7.00	71/428 50 7.00	81/488 56.9 7.00	106/636 74.2 7.00	107/643 75 7.00	60/368 45.5 7.42	67/404 50 7.42	75/460 56.88 7.42	100/600 74.2 7.42	100/600 75 7.50	61/364 45.5 7.50	66/400 50 7.50	100/600 75 7.50	88/529 75 8.50
Keyboard (LAK) Gear Set includes: Isolator Post (2)	173795 173794-14T 173793-100T 159287 161301	163504 163461-18T 163462-117T 159287 161301	198050 198051-17T 198052-97T 159287 161301	198053 198054-21T 198055-29T 159287 161301	163505 163463-24T 163464-104T 159287 161301	161293 159278-14T 159279-96T 159287 161301	194927 194925-13T 194926-81T 159287 161301	161294 159281-17T 159282-93T 159287 161301	161295 159284-20T 159285-84T 159287 161301	163505 163463-24T 163464-104T 159287 161301	173795 173794-14T 173793-100T 159287 161301	163504 163461-18T 163462-117T 159287 161301	163505 163463-24T 163464-104T 159287 161301	170089 170185-25T 170186-119T 159287 161301
TD Single Base (LCXB) Gear Set includes:	159882 155996-13T 155997-60T	161357 161333-10T 161332-42T	198056 198057-19T 155999-34T	159883 155998-12T 155999-34T	163454 163452-20T 163453-56T	158029 158005-9T 158006-44T	161356 161331-11T 161330-49T	158028 158003-12T 158004-47T	158027 158002-11T 158001-33T	178772 178770-23T 178774-60T	178775 178776-17T 178777-56T	178772 178773-20T 178774-60T	178769 178770-23T 178771-46T	
Dual TD Base (LCXB) Gear Set includes:				199090-20T 199091-56T			195146 195144-11T 195145-49T		170293-11T 170297-49T					170189 170190
Reperforator (LPR or LRPE) Gear Set includes:	173992 173993-14T 173994-40T	163457 163455-20T 163456-52T			163502 163501-30T 163500-52T	163023 163021-14T 163022-40T	195184 195182-20T 195183-52T	163024 163019-21T 163020-48T	163025 163015-28T 163018-49T					170187 170188
ASR Gear Set (w/Single TD)						*161859 **164583	#194928	*161860 **163584	*161861 **163585					
ASR Gear Set (w/Dual TD)							#195147		#170100					#170088

FIGURE 1-49. GEAR SETS

Keyboard Bases (LAK) and Associated Cables			
Unit	Keyboard Cable	Auxiliary Switch Cable	Wiring Diagram
LAK1	158246	158244	3261WD
LAK3	158248	158222	3262WD
LAK4	158249	158224	3302WD
LAK6	160324	—	3347WD
LAK7	160375	160393	3458WD
LAK9	162351	162352	3636WD
LAK10	162571	162572	3673WD
LAK11	163167	158224	3724WD
LAK16	158249	158224	3772WD
LAK17	164082	160483	3767WD
LAK18	164288	164409	3802WD
LAK20	144741	—	4213WD
	144995	—	—
LAK21	173454	174314	4263WD
LAK22	178786	158222	4708WD
LAK23	158249	158224	4321WD
LAK25	158249	158224	3302WD
LAK26	160324	—	3447WD
LAK27	176682	158224	4338WD
LAK28	158249	179621	4748WD
LAK29	165694	162572	4915WD
LAK30	162571	162572	3673WD
LAK31	158249	158224	4927WD
LAK600	170342	—	4176WD
LAK601	170342	—	4176WD
	173222	—	—
	173237	—	—
LAK800	170342	—	3793WD
LAK801	170321	—	3793WD
	170342	—	—

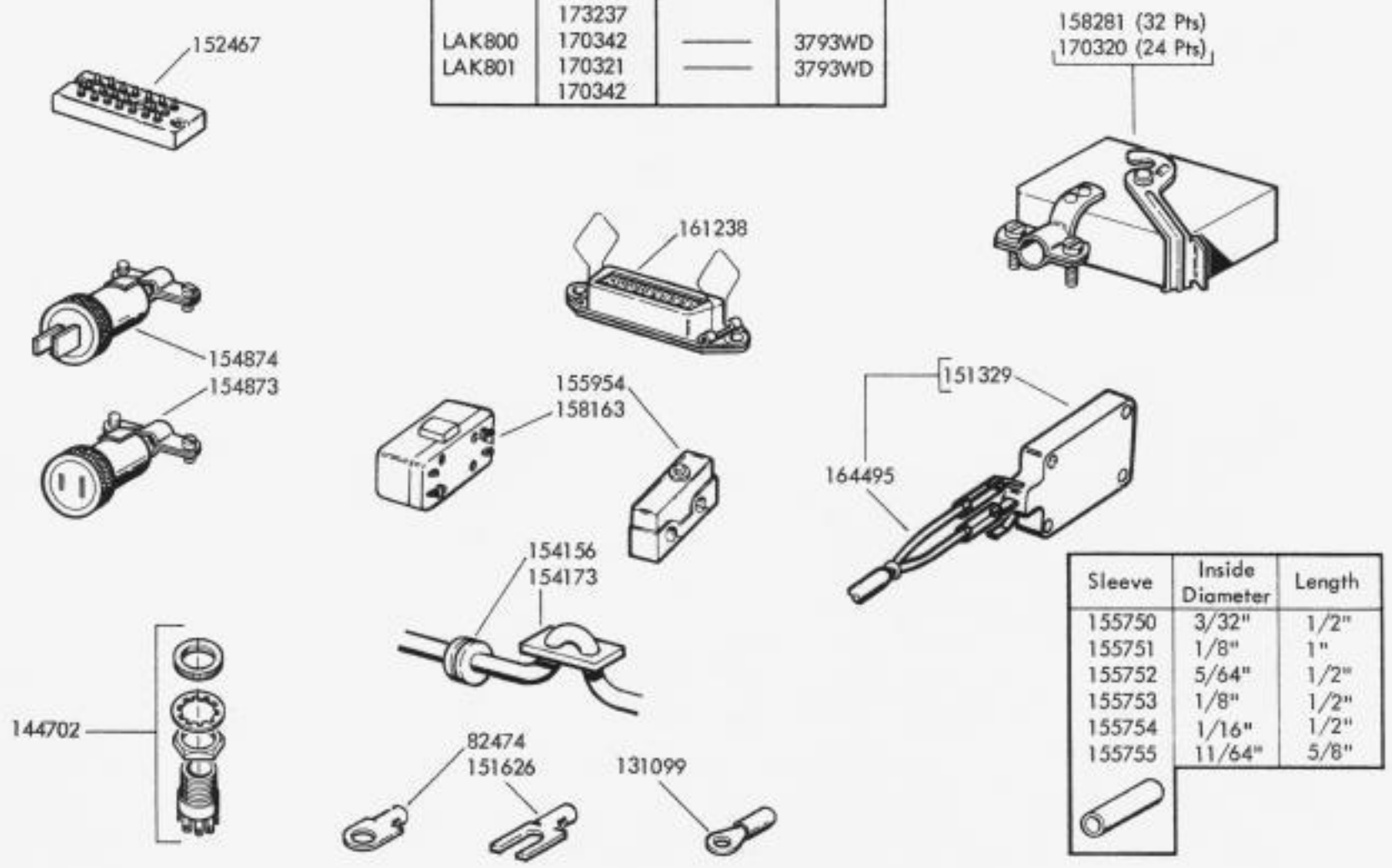


FIGURE 1-50. KEYBOARD CABLES

NUMERICAL INDEX - SECTION 1

Part Number	Description and Page Number	Part Number	Description and Page Number	Part Number	Description and Page Number
194M	Coil, Magnet 1-36	55669	Spring 1-23	92626	Stud (6-40) 1-8
224M	Coil, Magnet 1-42	70314	Washer, Flat 1-6,1-31	93117	Washer, Lock 1-23,1-25,1-29,1-31,1-34,1-37,1-41
252M	Coil, Magnet 1-32	70388	Spring 1-18	93135	Screw (8-32 x 1-3/4 Fil) 1-38
263M	Coil, Magnet 1-32	71073	Washer, Flat 1-31,1-34,1-37	93160	Washer, Flat 1-5
266M	Coil, Magnet 1-39	71858	Washer, Flat 1-23	93191	Screw (4-40 x 5/16 Flat) 1-10
1020	Screw (6-40 x 1/4 Hex) 1-18	72473	Spring 1-39	93507	Screw (4-40 x 3/4 Hex) 1-31
1095	Screw (4-40 x .150 Hex) 1-22	73008	Washer, Flat 1-22	93758	Washer, Felt 1-8
1118	Screw, Shoulder (6-40) 1-30	73035	Spring 1-8	94540	Screw, Set (10-24) 1-5,1-44
1163	Screw (4-40 x 3/16 Fil) 1-41	73374	Spacer 1-31	962128K	Jumper (4" Black) 1-24
1164	Screw (2-56 x 3/16 Fil) 1-25	73776	Screw (3/16-32 x 1-3/16 Fil) 1-4	96646	Screw (6-40 x 1-3/64 Fil) 1-33
1178	Screw (2-56 x 7/16 Fil) 1-25,1-29,1-31,1-35,1-37	74014	Screw (10-32 x 3/4 Hex) 1-2,1-43	97393	Screw, Shoulder (6-40) 1-30,1-43
1210	Screw (2-56 x 5/8 Fil) 1-23,1-29	74727	Terminal 1-26,1-31	98726	Screw (3-48 x 1/4 Fil) 1-3
1248	Screw (6-40 x 1/2 Flat) 1-10	74728	Terminal 1-7,1-27	98730	Screw (6-32 x 1-1/4 Fil) 1-31
1274	Screw (6-40 x 1-1/8 Fil) 1-9	74755	Washer, Felt 1-16	99978	Connector, Plug (4 Pt) 1-39
1293	Screw (4-40 x 1/8 Fil) 1-20,1-21	74805	Screw (10-32 x 3/4 Hex) 1-16,1-42	100658	Connector, Plug (2 Pt) 1-29
2191	Washer, Lock 1-2 to 1-9,1-11 to 1-14,1-16,1-18 to 1-24,1-26,1-28 to 1-39,1-41 to 1-43	74807	Nut (10-32 Hex) 1-22	101386	Spring 1-35
2415	Spring 1-12,1-13,1-29	74952	Screw (4-40 x 5/8 Fil) 1-39	102057	Screw, Shoulder (4-40) 1-23
2422	Washer, Lock 1-23	74966	Bushing 1-26	104564	Washer, Flat 1-6
2481	Washer, Flat 1-30,1-32	75435	Resistor (600 Ohm) 1-39	104701	Screw (4-40 x 9/32 Fil) 1-39
2669	Washer, Lock 1-2 to 1-6,1-16,1-43	76081	Washer, Lock 1-12,1-13,1-30	104710	Ball, Lock 1-15
3438	Washer, Flat 1-2,1-3,1-4,1-42,1-43	76099	Washer, Flat 1-16	104807	Washer, Flat 1-30,1-34
3598	Nut (6-40 Hex) 1-2,1-4,1-8,1-9,1-13 to 1-16,1-18,1-19,1-26,1-30,1-31,1-38,1-39,1-43	76379	Spring 1-3	104827	Bearing, Ball 1-4
3599	Nut (4-40 Hex) 1-6,1-18,1-20,1-21,1-23,1-33,1-34,1-35	76422	Spring 1-34,1-37	104991	Screw (2-56 x 1/2 Fil) 1-34
3606	Nut (6-40 Hex) 1-19,1-23,1-26,1-30	76964	Pin, Cotter 1-34	108370	Washer, Felt 1-18
3624	Washer, Flat 1-34	77039	Bushing, Contact Insulating 1-7	109356	Washer, Flat 1-6
3639	Washer, Lock 1-2,1-5	77920	Screw (6-40 x 1-15/16 Fil) 1-38	110435	Nut (4-40 Hex) 1-29
3640	Washer, Lock 1-6,1-15,1-19 to 1-23,1-26,1-27,1-29,1-31,1-32,1-36,1-37,1-39,1-41,1-42	77999	Resistor (500 Ohm) 1-3	110437	Spring 1-12
3646	Washer, Lock 1-38	78533	Spring 1-19	110743	Washer, Lock 1-5,1-7,1-15 to 1-18,1-20 to 1-22,1-25,1-30,1-31,1-34,1-36
3650	Washer, Flat 1-42	80402	Screw (4-40 x 15/32 Fil) 1-6	111017	Screw (6-40 x 5/16 Fil) 1-2,1-3,1-39
3870	Spring 1-2,1-16	80581	Spring 1-18,1-22	111343	Clamp 1-15
4702	Spring 1-16	80755	Bushing 1-27	111767	Washer, Flat 1-19
4705	Spring 1-33	80845	Screw (10-32 x 1-7/8 Fil) 1-38	111777	Connector, Receptacle (4 Pt) 1-31,1-39
6970	Nut (3/8-32 Hex) 1-4,1-42,1-43	80945	Spring 1-42	112127	Follower 1-26,1-31
7002	Washer, Flat 1-2,1-3,1-7,1-8,1-9,1-11 to 1-15,1-20 to 1-24,1-26,1-28 to 1-32,1-34 to 1-39,1-42	81596	Screw (10-32 x 1-3/8 Hex) 1-42,1-43	112128	Retainer 1-26,1-31
7603	Spring 1-19,1-22	81726	Terminal, Contact 1-32	112498	Screw (6-40 x 3/4 Flat) 1-10
8330	Washer, Flat 1-2,1-4,1-9,1-23,1-42	81731	Spring 1-8	112626	Nut (10-32 Hex) 1-4,1-16,1-36
8449	Spacer 1-19,1-29	81774	Washer, Flat 1-11	112627	Nut (2-56 Hex) 1-29,1-31,1-34,1-37
22746	Spring 1-30	81836	Washer, Flat 1-38	112629	Spring 1-41
31636	Spring 1-35	82474	Terminal 1-45	112630	Spring 1-2
33765	Washer, Flat 1-41	82547	Insulator 1-7,1-26,1-31,1-32	112631	Spring 1-13
34432	Washer, Flat 1-43	82548	Insulator 1-7,1-26,1-27,1-31,1-32	112633	Spring W/Wick 1-41
35826	Washer, Flat 1-4	82860	Spring 1-8	114478	Nut (15/32-32 Hex) 1-10
36318	Washer, Flat 1-19	82988	Screw (6-40 x 2-1/2 Rd) 1-39	114744	Plug (6 Pt) 1-31
36358	Spring 1-13	83408	Screw (4-40 x 3/16 Rd) 1-31	114858	Socket (6 Pt) 1-31
41385	Spring 1-23	83814	Washer, Flat 1-24	114876	Washer, Flat 1-30
41675	Washer, Flat 1-23	83913	Spring, Contact 1-32	115122	Washer, Felt 1-16,1-19
41720	Spring, Contact 1-32	86304	Spring 1-20,1-21	115141	Screw, Shoulder (6-40) 1-30
41732	Plate, Clamp 1-7,1-23,1-27,1-32	86742	Nut (4-40 Hex) 1-5,1-19	116698	Lamp (6 Volt) 1-10
42661	Spring 1-36	86772	Screw, Eccentric Shoulder (6-40) 1-13	117416	Post (4-40) 1-16
42823	Washer, Flat 1-17,1-22	86774	Screw, Shoulder (6-40) 1-2,1-3	117535	Washer, Flat 1-4,1-5
42827	Screw (3-48 x 1/4 Fil) 1-41	86835	Spring 1-2	117541	Washer, Flat 1-22
44048	Washer, Flat 1-38	86959	Bushing, Insulating 1-32	117608	Nut, Speed (3/16) 1-9
45024	Spring 1-41	87398	Washer, Flat 1-36	118211	Resistor (10,000 Ohm) 1-10
45104	Spring 1-35	88891	Spring 1-32	118659	Switch, Toggle 1-10
45815	Washer, Lock 1-22,1-36	89969	Washer, Flat 1-39	119648	Ring, Retaining (.073 ID) 1-3,1-14,1-18,1-34,1-39
49420	Spring 1-7,1-12,1-13,1-33	90573	Spring 1-22,1-36	119649	Ring, Retaining (.094 ID) 1-3,1-12,1-22,1-23,1-33,1-36,1-41
55063	Spring 1-12	90679	Washer, Felt 1-19	119650	Ring, Retaining (.100 ID) 1-12
		90790	Washer, Flat 1-43	119651	Ring, Retaining (.114 ID) 1-2,1-8,1-9,1-18,1-19,1-22,1-35,1-41
		90791	Washer, Lock 1-20	119652	Ring, Retaining (.145 ID) 1-16,1-30,1-43
		90814	Resistor (1,000 Ohm) 1-38		
		90906	Knob 1-29		
		90951	Washer, Lock 1-35		
		91683	Nut (15/32-32 Hex) 1-10		
		91684	Nut (15/32-32 Ring) 1-10		
		92309	Resistor (400 Ohm) 1-38		

NUMERICAL INDEX - SECTION 1 (Continued)

Part Number	Description and Page Number	Part Number	Description and Page Number	Part Number	Description and Page Number
119653	Ring, Retaining (.207 ID) 1-7,1-8, 1-30,1-42	144733	Spring 1-25	150043	Shoe, Secondary Clutch 1-17
119654	Ring, Retaining (.243 ID) 1-12,1-13	144734	Plate, Retaining 1-25	150044	Shoe, Primary Clutch 1-17
119655	Ring, Retaining (.300 ID) 1-5,1-6, 1-43	144735	Switch, Keyboard (SOM) 1-25	150089	Screw (4-40 x 1/2 Fil) 1-37
119662	Screw (6-40 x 5/32 Hex) 1-30	144736	Switch, Keyboard (EOA) 1-25	150241	Spring 1-17
120489	Spacer 1-18	144737	Switch, Keyboard (EOM) 1-25	150354	Arm, Trip 1-42
120824	Washer, Felt 1-17	144738	Switch, Keyboard (Feed Out) 1-25	150356	Lever, Trip 1-42
120870	Wick Assembly 1-18	144739	Switch, Keyboard (Rub Out) 1-25	150411	Washer, Flat 1-30,1-36
121125	Washer, Spring 1-32	144740	Switch, Keyboard (Tape B. Sp.) 1-25	150432	Washer, Flat 1-39
121242	Clamp, Cable (1/8" ID) 1-23,1-32, 1-34	144741	Cable Assembly, Keyboard 1-10, 1-45	150507	Spring 1-30
121243	Clamp, Cable (3/16" ID) 1-31,1-38	144743	Plate, Keypop Guide 1-9	150923	Washer, Felt 1-3,1-18,1-19
121244	Clamp, Cable (1/4" ID) 1-2,1-14	144744	Cable Assembly 1-26	150932	Bushing, Shoulder 1-8
121246	Clamp, Cable (3/8" ID) 1-2,1-31	144745	Bracket, Front 1-12	150966	Insulator 1-2,1-39
121247	Clamp, Cable (7/16" ID) 1-31, 1-38,1-39	144749	Bracket Assembly 1-6	150990	Washer, Felt 1-19
121473	Post (6-40) 1-31,1-37	144750	Housing W/Bearing 1-3	150991	Washer, Felt 1-12,1-13,1-16
123823	Washer, Flat 1-31	144753	Shaft W/Bearings and Gear 1-6	150992	Stud (4-40) 1-29
124177	Washer, Lock 1-30	144754	Plate, Nut 1-3	151036	Screw, Shoulder (4-40) 1-19
124220	Pin, Drive 1-31,1-39	144755	Shaft 1-6	151045	Bar Assembly, Spacing 1-9
124244	Washer, Felt 1-3	144756	Shaft 1-6	151059	Stud (4-40) 1-33
124681	Screw, Set (6-40) 1-42	144759	Spacer 1-4	151073	Screw (4-40 x 5/32 Fil) 1-32,1-41
124761	Plate, Insulating 1-31	144760	Spacer 1-4	151080	Washer, Flat 1-5,1-15
125011	Washer, Flat 1-15,1-16,1-19,1-21, 1-23,1-26,1-27,1-37,1-39	144761	Shaft 1-4	151103	Spring 1-18,1-22
125015	Washer, Flat 1-2,1-4,1-5,1-6,1-9, 1-19	144763	Plate, Nut 1-3	151113	Strip 1-2
125112	Screw (2-56x1/8 Fil) 1-26,1-31, 1-41	144764	Base 1-3	151118	Plate, Spacing 1-2
125126	Screw (2-56 x 9/32 Fil) 1-20,1-21	144767	Plate W/Bracket, Bearing 1-4	151126	Spacer 1-4
125181	Screw (2-56 x 3/8 Fil) 1-33	144769	Button, Pivot 1-4	151146	Strap, Mounting 1-2
125215	Screw (4-40 x 3/16 Hex) 1-42	144770	Gear Assembly 1-4	151152	Screw (4-40 x 3/16 Hex) 1-15,1-16, 1-20,1-21,1-30,1-34,1-36,1-37,1-39
125241	Spring 1-22	144771	Follower, Cam 1-26	151171	Toggle Assembly 1-20,1-21
125247	Spring 1-34	144772	Contact Assembly 1-26	151180	Link, Toggle 1-20,1-21
125250	Spring 1-18	144774	Bar, Code - Figs 1-12	151182	Washer, Insulating 1-20, 1-21
125253	Spring 1-13	144871	Pin, Solenoid Plunger 1-3	151223	Screw, Shoulder (4-40) 1-9
128271	Screw, Shoulder (6-40) 1-30	144990	Bar, Code - Ltrs. 1-12	151224	Screw, Pilot (6-40) 1-9,1-26,1-31
130683	Washer, Lock 1-23	144991	Bracket, Contact 1-3	151228	Bracket W/Bearing 1-4
131099	Terminal 1-45	144992	Shaft W/Bearing, Stub 1-6	151233	Washer, Flat 1-23
139153	Resistor (3.92K Ohm) 1-2	144995	Cable Assembly, Keyboard 1-45	151234	Ratchet (27T) 1-35
139552	Block, Terminal 1-31	144996	Plate, Left 1-10	151235	Ratchet (28T) 1-35
139752	Screw (4-40 x 11/64 Fil) 1-30	144997	Contact Assembly 1-27	151236	Hub 1-35
142379	Pin, Roll 1-42, 1-43	145190	Connector, Plug (2 Pt) 1-32	151237	Spring 1-35
142623	Disk W/Hub, Tape Reel 1-28	145191	Connector, Receptacle (2 Pt) 1-32	151240	Pawl, Latch 1-35
144590	Screw (6-40 x 1-3/8 Fil) 1-10	145307	Plate, Nut 1-3	151241	Lever, Latching 1-35
144701	Plate, Switch (Right) 1-10	145313	Washer, Felt 1-43	151244	Bushing, Eccentric 1-35
144702	Switch 1-10,1-45	145365	Gear (20T) 1-43	151245	Washer, Felt 1-35,1-43
144703	Cap, Lens - Red 1-10	145366	Gear (56 Pt) 1-43	151246	Washer, Flat 1-35
144708	Modification Kit 1-17,1-26	145367	Shaft W/Bearing, Drive 1-43	151290	Keylever Assembly (Break) 1-33
144709	Cam, Segment 1-17	145368	Gear (27T) 1-42,1-43	151329	Switch, Sensitive 1-33,1-35,1-45
144710	Modification Kit 1-26	145370	Gear (42T) 1-43	151335	Stud 1-2,1-3,1-39
144711	Bracket, Contact 1-26	145373	Gear (66T) 1-43	151346	Screw (6-40 x 3/8 Fil) 1-42
144712	Post, Guide 1-26	145375	Gear (63T) 1-43	151352	Spring, Flat 1-2
144715	Bracket, Connector 1-3	145381	Washer, Thrust 1-43	151354	Screw (2-56 x 15/32 Fil) 1-23
144718	Keypop W/Shaft - SOM 1-25	145383	Key 1-43	151376	Label, Instruction 1-11
144719	Keypop W/Shaft - EOA 1-25	145384	Pin, Guide 1-43	151389	Paper, Carbon (White) 1-11
144720	Keypop W/Shaft - EOM 1-25	145385	Spring, Compression 1-43	151390	Label, Blank 1-11
144721	Keypop W/Shaft - Feed Out 1-25	145386	Sleeve Assembly 1-43	151391	Label Set 1-11
144722	Keypop W/Shaft - Rub Out 1-25	145389	Shaft W/Bearing, Idler 1-43	151397	Spring 1-36
144723	Keypop W/Shaft - Tape B. Sp 1-25	145390	Gear (25T) 1-43	151412	Insulator 1-3
144724	Keypop W/Shaft - SOL INQ 1-25	146149	Bushing 1-43	151415	Block, Terminal 1-2,1-39
144725	Keypop W/Shaft - SOL ORD 1-25	146438	Plate, Base 1-36	151416	Nut (6-40 Hex) 1-2,1-3,1-39
144726	Keypop W/Shaft - EOL 1-25	147033	Bellcrank 1-26	151442	Screw (6-40 x 1/2 Hex) 1-2,1-3,1-4, 1-11,1-16,1-26,1-32,1-42
144729	Bracket W/Stud 1-25	147069	Shield 1-10	151540	Lampholder 1-39
144730	Bracket, Switch Mounting 1-25	147070	Switch, Keyboard (Sol Inq) 1-25	151610	Washer, Flat 1-42,1-43
144731	Plate, Switch Actuator 1-25	147071	Switch, Keyboard (Sol Ord) 1-25	151618	Screw (6-40 x 7/16 Fil) 1-10
144732	Insulator 1-25	147127	Switch, Keyboard (EOL) 1-25	151624	Washer, Flat 1-39
			Modification Kit To Add A	151626	Terminal 1-2,1-3,1-10,1-23,1-31 to 1-35,1-37,1-38,1-39,1-43,1-45
			Shield for the Auxillary Push-button on the Keyboard 1-10	151629	Nut (6-40 Lug) 1-42
		150013	Disk, Adjusting 1-17	151630	Screw (6-40 x 1/4 Hex) 1-2,1-4,1-6 to 1-9,1-12,1-13,1-22,1-23,1-28, 1-31,1-32,1-38,1-43
		150026	Lever, Clutch Shoe 1-17		
		150029	Wick, Felt 1-17		

NUMERICAL INDEX - SECTION 1 (Continued)

Part Number	Description and Page Number	Part Number	Description and Page Number	Part Number	Description and Page Number
151631	Screw (6-40 x 5/16 Hex) 1-2 to 1-6, 1-8, 1-9, 1-14, 1-16, 1-22 to 1-24, 1-28, 1-30 to 1-32, 1-34, 1-38, 1-39, 1-42, 1-43	153273	Link 1-8	154091	Guide 1-19
151632	Screw (6-40 x 3/8 Hex) 1-2 to 1-6, 1-9, 1-11, 1-12, 1-14, 1-20, 1-21, 1-23, 1-24, 1-28, 1-32, 1-33, 1-35, 1-38	153400	Lamp, Incandescent (60 Volts) 1-39	154092	Shaft 1-7
151633	Bearing, Ball 1-4, 1-6, 1-43	153534	Washer, Flat 1-39	154094	Clamp 1-16
151637	Screw (4-40 x 1/4 Fil) 1-23, 1-30, 1-31	153537	Screw (6-40 x 9/32 Hex) 1-36, 1-39	154095	Eccentric 1-20, 1-21
151657	Screw (6-40 x 1/4 Fil) 1-23, 1-32, 1-42	153538	Screw (6-40 x 7/16 Hex) 1-2, 1-29, 1-31	154096	Bushing, Eccentric 1-16
151658	Screw (6-40 x 5/16 Fil) 1-2, 1-43	153539	Screw (6-40 x 11/16 Hex) 1-29	154097	Bail W/Stud 1-8
151659	Screw (6-40 x 1/2 Fil) 1-9, 1-11, 1-30	153631	Network, Spark Suppression 1-38	154099	Bail 1-7
151661	Screw (6-40 x 1 Fil) 1-10	153799	Screw (4-40 x 21/64 Hex) 1-30, 1-36	154101	Plate, Rear 1-16
151678	Screw, Pilot (1/4-32) 1-2	153817	Screw (4-40 x 3/8 Hex) 1-20, 1-21, 1-39	154102	Plate 1-19
151685	Screw (4-40 x 5/16 Fil) 1-30	153819	Washer, Lock 1-3, 1-41	154105	Post (6-40) 1-18
151686	Screw (4-40 x 3/8 Fil) 1-34	153839	Screw (6-40 x 5/8 Hex) 1-42	154106	Bracket 1-2
151687	Screw (4-40 x 7/16 Fil) 1-7, 1-23	153841	Screw (6-40 x 9/16 Hex) 1-16, 1-33	154107	Bracket 1-8
151688	Screw (4-40 x 5/8 Fil) 1-27	154008	Guide, Code Bar 1-12, 1-13	154109	Plunger 1-2
151689	Screw (4-40 x 3/4 Fil) 1-31	154009	Plate, Front 1-18	154110	Hood, Keyboard 1-11
151691	Screw (10-32 x 3/8 Fil) 1-6	154010	Bail, Transfer 1-18	154111	Plate, Keypad Guide 1-9
151692	Screw (6-40 x 3/16 Fil) 1-3, 1-8, 1-34, 1-36	154013	Bracket, Spring 1-12, 1-13	154115	Plate, Guide 1-2
151694	Screw (6-40 x 11/32 Fil) 1-2, 1-6	154014	Post, Guide 1-18	154117	Bail, Space Bar 1-9
151712	Button, Pivot 1-4	154015	Post (6-40) 1-19	154118	Lever W/Hub 1-33
151714	Spring 1-13	154016	Shaft 1-12	154119	Bracket, Space Bar 1-9
151715	Spring 1-36	154018	Post (6-40) 1-18	154120	Lever, Code Bar 1-12, 1-13
151722	Screw (6-40 x 3/16 Hex) 1-2, 1-3, 1-8, 1-11, 1-12, 1-13, 1-18, 1-29, 1-35, 1-36, 1-39	154019	Follower, Eccentric 1-17	154121	Lever, Code Bar (Space) 1-12
151723	Screw (10-32 x 3/8 Hex) 1-2, 1-3, 1-4	154020	Seal, Front 1-11	154122	Lever, Function (Keyboard Lock) 1-12
151724	Screw (10-32 x 5/8 Hex) 1-4, 1-5	154021	Link W/Studs 1-9	154123	Lever W/Stud, Function 1-12
151725	Screw (10-32 x 3/4 Fil) 1-4, 1-5, 1-43	154023	Latch 1-12	154124	Lever, Function (Keyboard Unlock) 1-12
151728	Spring 1-17	154025	Plate, Adjusting 1-19	154125	Spring 1-12, 1-13, 1-31, 1-36
151731	Screw (4-40 x 7/8 Fil) 1-34	154027	Bellcrank 1-19	154126	Bracket 1-33
151733	Screw (4-40 x 9/16 Fil) 1-29, 1-32, 1-41	154029	Wick, Felt 1-17	154127	Nut (6-40 Hex) 1-19
151737	Screw (4-40 x 11/64 Hex) 1-17, 1-36, 1-42	154030	Shaft 1-17	154129	Bar, Clutch Trip 1-12
151820	Spring 1-20, 1-21	154032	Sleeve Assembly, Gear 1-17	154130	Box, Contact 1-20
151843	Screw, Adjusting (6-40) 1-15	154033	Lever, Latch 1-16	154131	Cover, Contact Box 1-20
151879	Stud (4-40) 1-35	154034	Lever, Stop 1-16	154132	Bracket 1-8
151880	Nut (4-40 Hex) 1-20, 1-21, 1-30, 1-36, 1-37, 1-39, 1-41	154036	Plate 1-18	154133	Bracket 1-8
151885	Plate, Nut (2-56) 1-35	154037	Lever W/Hub (Break) 1-33	154134	Bracket 1-35
151886	Stud (4-40) 1-35	154039	Bracket 1-33	154135	Pawl, Contact 1-35
152045	Guard, Gear 1-2	154040	Lever, Transfer 1-18	154136	Pawl 1-35
152051	Tissue 1-11	154041	Post (6-40) 1-18	154137	Lever, Adjustment 1-35
152318	Switch, Magnetic 1-33	154042	Terminal 1-20, 1-21	154138	Washer, Felt 1-17
152462	Latch, Right 1-2	154043	Terminal 1-20, 1-21	154140	Bail, Locking 1-18
152463	Latch, Left 1-2	154045	Screw, Contact 1-20, 1-21	154141	Modification Kit 1-33
152464	Insulator 1-2	154046	Stud (6-40) 1-16	154147	Modification Kit 1-33
152467	Connector, Plug (20 Pt) 1-45	154047	Post (6-40) 1-18	154149	Cable Assembly, Line Break 1-33
152754	Jumper (4-1/4" - Red) 1-3	154051	Screw, Shoulder (6-40) 1-19	154151	Bail Assembly 1-15
152764	Gear (81T) 1-44	154053	Bail 1-16	154152	Bar Assembly 1-15
152839	Spring 1-30	154056	Bracket 1-20, 1-21	154153	Cable Assembly, Paper-feedout 1-33
152887	Screw (4-40 x 1/2 Hex) 1-5	154057	Plate 1-11	154154	Sleeve Assembly, Cam 1-17
152893	Screw (4-40 x 1/4 Hex) 1-15, 1-17, 1-19, 1-26, 1-27, 1-39	154058	Plate 1-11	154156	Grammet, Rubber 1-45
153247	Lever, Trip 1-8	154059	Bracket 1-7	154163	Shaft Assembly, Clutch Cam 1-17
153248	Bushing, Shoulder (6-40) 1-8	154065	Lever W/Hub 1-8	154164	Frame Assembly 1-16
153249	Bail, Transfer 1-8	154066	Lever W/Hub 1-7	154165	Box Assembly, Contact 1-20
153250	Link 1-8	154067	Lever W/Hub 1-7	154166	Suppressor, Arc 1-20
153252	Link 1-2	154068	Bracket, Right 1-12	154173	Plate 1-45
153266	Lever, Trip 1-8	154069	Bracket, Left 1-12	154176	Bracket 1-2
		154070	Guide, Code Lever 1-12	154178	Spring 1-18
		154071	Screw, Pilot (1/4-32) 1-12, 1-13	154179	Bail W/Bushing, Universal 1-15
		154072	Bracket 1-12, 1-13	154183	Blade, Front 1-15
		154076	Plate, Nut (6-40) 1-2	154184	Blade, Rear 1-15
		154079	Stud (6-40) 1-19	154189	Insulator 1-20
		154080	Lock, Wedge 1-15	154190	Filter, R.F. 1-20
		154081	Plate, Retaining 1-15	154191	Spring 1-19
		154083	Spacer 1-17	154193	Plate 1-33
		154084	Bearing 1-19	154194	Base 1-20, 1-21
		154085	Plate 1-2	154197	Plug, Button 1-9
		154086	Retainer, Wedge 1-15	154198	Window, Plastic 1-11
		154087	Plate, Nut (6-40) 1-2	154199	Shim (.005") 1-2
		154088	Plate, Nut 1-2	154201	Shim (.014") 1-2
		154089	Post (6-40) 1-19	154202	Screw, Special (#4) 1-11
				154203	Bracket 1-11

NUMERICAL INDEX - SECTION 1 (Continued)

Part Number	Description and Page Number	Part Number	Description and Page Number	Part Number	Description and Page Number
154204	Grammet 1-11	156503	Wick, Felt 1-17	158107	Bar, Code-Character Counter 1-12
154210	Bracket (Left) 1-9	156509	Washer, Flat 1-18	158113	Frame W/Studs 1-22
154211	Bracket (Right) 1-9	156516	Latch 1-18	158114	Cams, Control 1-22
154212	Frame, Front 1-9	156558	Washer, Felt 1-19	158115	Bushing 1-22
154215	Spring 1-19	156574	Post (4-40) 1-15	158116	Lever, Reset 1-22
154217	Wick, Leather 1-18	156630	Washer, Felt 1-18	158117	Follower, Reset Cam 1-22
154224	Gear Assembly 1-4	156632	Screw (6-40 x 13/32 Hex) 1-6, 1-30	158118	Guide 1-22
154225	Box Assembly 1-20	156644	Link, Drive 1-20	158119	Bracket 1-22
154226	Box and Strap Assembly 1-20	156663	Insulator Assembly 1-20,1-21	158120	Bracket 1-22
154227	Bracket, Support 1-8	156664	Sleeve 1-21	158121	Roller 1-22
154236	Lever, Latch 1-16	156740	Screw (6-40 x 7/32 Hex) 1-3,1-31, 1-37,1-41	158122	Bracket 1-22
154237	Lever 1-19	157101	Cable Assembly 1-37	158123	Shaft 1-22
154238	Extension 1-15	158000	Base 1-2	158135	Link 1-22
154239	Extension 1-15	158001	Gear (33 T) 1-44	158136	Latch 1-22
154240	Bail W/Shaft and Roller, Code Bar 1-19	158002	Gear (11 T) 1-44	158137	Extension, Code Bar 1-22
154241	Stud (6-40) 1-19	158003	Gear (12 T) 1-44	158139	Bellcrank 1-22
154318	Plate 1-28	158004	Gear (47 T) 1-44	158141	Lever 1-22
154319	Guide W/Roller, Tape 1-28	158005	Pinion (9 T) 1-44	158144	Slide 1-22
154351	Modification Kit To Equip Model 28 Automatic Send-Receive Keyboard with Improved Code Bar Reset Bail 1-12,1-19	158006	Gear (44 T) 1-44	158145	Extension 1-22
154386	Plate, Adjusting (6-40) 1-19	158007	Container Assembly 1-28	158147	Bushing, Eccentric 1-23,1-30
154662	Spacer 1-4	158010	Bar, Locking 1-14	158148	Washer, Felt 1-23
154663	Shaft 1-4	158011	Lever, Blocking 1-22	158149	Bracket 1-23
154694	Disk 1-17	158019	Baffle 1-30	158150	Shaft 1-23
154873	Connector, Receptacle (2 Pt) 1-45	158021	Bracket 1-30	158151	Arm Assembly 1-23
154874	Connector, Plug (2 Pt) 1-45	158027	Gear Set (100 WPM) 1-44	158156	Lever 1-23
155718	Jumper (3" Black) 1-37	158028	Gear Set (75 WPM) 1-44	158158	Roller 1-23
155750	Sleeve, Insulating (3/32 x 1/2") 1-26,1-31,1-32,1-34 to 1-36,1-45	158029	Gear Set (60 WPM) 1-44	158160	Bracket 1-23
155751	Sleeve, Insulating (1/8 x 1") 1-10, 1-33,1-35,1-45	158031	Bail, Feed 1-30	158161	Indicator Assembly, Margin 1-23
155752	Sleeve, Insulating (5/64 x 1/2") 1-45	158032	Bail, Reset 1-30	158162	Bracket 1-23
155753	Sleeve, Insulating (1/8 x 1/2") 1-3,1-10,1-14,1-31,1-32,1-37, 1-39,1-45	158033	Spacer 1-30	158163	Switch, Sensitive 1-29,1-45
155754	Sleeve, Insulating (1/16 x 1/2") 1-39,1-45	158036	Lever 1-30	158164	Lever 1-23
155755	Sleeve, Insulating (11/64 x 5/8") 1-2,1-32,1-38,1-39,1-45	158038	Lever 1-30	158186	Screw (4-40 x 7/32 Fil) 1-25
155951	Spring, Torsion 1-34	158040	Lever, Drive 1-30	158189	Washer, Felt 1-23
155952	Pin 1-34	158042	Lever, Latch 1-30	158202	Housing, Switch 1-24
155953	Stud (4-40) 1-34	158045	Stud (6-40 Hex) 1-30	158205	Cover 1-24
155954	Switch 1-25,1-34,1-45	158046	Bracket 1-30	158206	Screw, Thumb (6-32) 1-24
155956	Bail 1-34	158047	Scale 1-30	158207	Screw, Set (10-32) 1-24
155957	Bracket 1-34	158050	Switch 1-30	158208	Gear, Spur (43 T) 1-24
155958	Keylever 1-34	158051	Pulley 1-30	158210	Shaft Assembly 1-24
155959	Keytop 1-34	158052	Cam 1-30	158212	Bracket 1-2
155960	Latch 1-30	158053	Clamp 1-30	158213	Plate, Nut (10-32) 1-2
155964	Lever, Stop 1-30	158054	Cord, Indicator 1-30	158215	Plate, Nut (6-40) 1-2,1-3,1-30
155965	Ratchet W/Shaft 1-30	158056	Cord, Reset 1-30	158216	Plate, Nut (6-40) 1-2
155966	Drum, Ratchet 1-30	158060	Spring 1-22	158217	Plate, Nut (10-32) 1-2
155967	Washer, Spring 1-30	158061	Pin 1-22	158219	Switch, Rotary 1-24
155968	Washer, Flat 1-30	158062	Stop 1-23	158222	Cable Assembly, Auxiliary 1-45
155969	Bracket 1-30	158063	Bracket, Stop 1-12	158224	Cable Assembly, Auxiliary 1-45
155990	Counter Assembly 1-30	158064	Clip, Spring 1-2	158226	Bracket Assembly 1-14
155991	Keytop Assembly 1-34	158066	Switch 1-23	158228	Lever 1-14
155992	Cable Assembly, Backspace 1-25 1-34	158067	Bracket 1-23	158230	Bracket, Contact 1-14
155994	Insulator 1-23,1-34	158068	Plate 1-2	158231	Contact Assembly 1-14
156078	Contact Assembly 1-26	158071	Bracket, Bearing 1-5	158233	Bracket 1-28
156226	Hub, Gear 1-5,1-6	158073	Shaft 1-5	158239	Lever, Tape 1-29
156448	Bushing 1-29	158075	Shaft 1-5	158241	Panel Assembly 1-28
156449	Lever, Switch 1-29	158077	Gear (33 T) 1-5	158244	Cable Assembly, Auxiliary 1-45
156451	Bushing 1-29	158079	Shaft, Motor Coupling 1-5	158246	Cable Assembly, Keyboard (Without Keyboard Lock Contact Mechanism) 1-45
		158087	Bar, Code (#1) 1-12	158248	Cable Assembly, Keyboard Base (For Keyboard Lock Contact Mechanism - 4 Contacts) 1-45
		158088	Bar, Code (#2) 1-12	158249	Cable Assembly, Keyboard Base (For Keyboard Lock Mechanism - 8 Contacts) 1-45
		158089	Bar, Code (#3) 1-12		
		158090	Bar, Code (#4) 1-12		
		158091	Bar, Code (#5) 1-12		
		158093	Spacer 1-12		
		158094	Stud 1-12	158250	Block, Terminal 1-2,1-3
		158099	Lever Assembly 1-32	158251	Plate, Nut (6-40) 1-2,1-3
		158103	Latch W/Hub 1-12	158252	Insulator 1-2,1-3
		158105	Bar, Code - Counter Reset 1-12	158271	Guard, Gear 1-5,1-6

NUMERICAL INDEX - SECTION 1 (Continued)

Part Number	Description and Page Number	Part Number	Description and Page Number	Part Number	Description and Page Number
158275	Plate, Clamp 1-14	162309	Bar, Clutch Trip 1-12,1-19	164127	Plate, Keypop Guide 1-9
158276	Screw (3-48 x 11/16 Rd) 1-14	162333	Stud, Locating (6-40) 1-7	164131	Cable Assembly 1-10
158277	Screw (3-48 x 1 Rd) 1-14	162335	Cable Assembly 1-14	164138	Stud (6-40) 1-37
158281	Connector, Plug (32 Pt) 1-45	162344	Contact Assembly 1-14	164142	Bracket 1-3,1-36,1-39
158289	Disk, Tape Reel 1-28	162345	Switch, Rotary 1-24	164143	Plate 1-36
158299	Cover, Contact 1-14	162351	Cable Assembly, Keyboard 1-45	164144	Plate, Side 1-36
158745	Plate, Clamp 1-4,1-5,1-6,1-43	162352	Cable Assembly, Auxiliary 1-45	164145	Pivot 1-36
158753	Armature 1-32	162571	Cable Assembly, Keyboard 1-45	164146	Lever, Stop 1-36
158754	Core, Magnet 1-32	162572	Cable Assembly, Auxiliary 1-45	164148	Spacer 1-36
158816	Spring, Contact 1-7	162659	Retainer 1-43	164151	Lever W/Roller, Detent 1-36
158828	Bushing, Mounting 1-4	162731	Modification Kit 1-35	164154	Lever, Sensing 1-36
158859	Post (6-40) 1-32,1-42	162815	Cable Assembly, Time Delay 1-35	164155	Yoke, Magnet 1-36
159278	Pinion (14 T) 1-44	162873	Contact Assembly, Universal 1-31, 1-37	164156	Armature 1-36
159279	Gear (96 T) 1-44	162874	Plate, Clamp 1-31,1-37	164157	Shaft 1-36
159281	Pinion (17 T) 1-44	162875	Bracket 1-31,1-37	164158	Latch 1-36
159282	Gear (93 T) 1-44	162876	Bar, Retaining 1-31,1-37	164160	Link 1-37
159284	Gear (20 T) 1-44	162878	Contact Assembly, Cam Pulsing 1-31	164161	Drum, Message 1-36
159285	Gear (84 T) 1-44	162879	Spring, Contact 1-31	164162	Ring, "O" 1-36
159287	Retainer, Pinion 1-43,1-44	162880	Bracket 1-26,1-31	164163	Blade, Stop 1-36
159327	Washer, Plastic 1-19	162881	Plate 1-26,1-31	164164	Blade, Code 1-36
159334	Washer, Plastic 1-19	162882	Bushing, Insulating 1-31	164165	Plate W/Shaft, Drive 1-36
159340	Spring 1-30	162883	Cover, Insulating 1-26,1-31	164168	Pawl, Stepping 1-36
159343	Cable Assembly, Back Space 1-34	162884	Arm, Cam Follower 1-31	164169	Stud, Eccentric (4-40) 1-36
159543	Cable Assembly, Back Space 1-28	162885	Segment, Cam 1-17	164201	Switch, Pushbutton 1-10
159568	Bracket, Contact 1-27	162886	Screw (4-40 x 1/4 Hex) 1-17	164224	Insulator 1-2,1-3
159570	Spring, Contact 1-26,1-27	162891	Cover, Contact Box 1-20	164234	Gear Assembly 1-4
159571	Stiffener 1-26,1-27	162892	Box Assembly, Contact 1-20	164288	Cable Assembly, Keyboard Base 1-45
159804	Spring 1-41	163106	Keylever Assembly (EOM) 1-36	164349	Shaft Assembly, Clutch Cam 1-17
159897	Arm 1-22	163167	Cable Assembly, Keyboard 1-45	164379	Cable Assembly, Clutch Magnet 1-32
159899	Pin 1-22	163299	Gear W/Coupling (13 T) 1-44	164409	Cable Assembly, Auxiliary Switch 1-45
159976	Armature 1-42	163300	Gear Set (67 WPM) 1-44	164426	Modification Kit 1-39
160090	Lever, Transfer 1-18	163302	Gear Set (67 WPM) 1-44	164457	Keylever Assembly (W-R-U) 1-31
160185	Post (4-40) 1-27	163368	Sleeve Assembly, Cam 1-17	164484	Frame Assembly 1-16
160324	Cable Assembly, Keyboard 1-45	163440	Gear (48 T) 1-4	164485	Bail W/Hub 1-16,1-32
160369	Switch, Push - Normally Open, Grooved Shank 1-10	163442	Cable Assembly 1-14	164489	Bar, Universal 1-32
160370	Switch, Push - Normally Closed, Smooth Shank 1-10	163445	Insulator 1-20,1-21	164490	Bar, Clutch Trip 1-32
160375	Cable Assembly, Keyboard 1-45	163460	Gear (55 T) 1-4	164495	Cable Assembly, Line Break 1-45
160377	Switch, Rotary 1-24	163461	Pinion (18 T) 1-44	164496	Bail 1-36
160393	Cable Assembly, Auxiliary Switch 1-24,1-45	163462	Gear (117T) 1-44	164497	Eccentric 1-36
160483	Bearing, Nylon 1-45	163463	Pinion (24 T) 1-44	164499	Bar, Locking 1-36
160583	Spring, Contact 1-7	163464	Gear (104 T) 1-44	164500	Resistor Assembly 1-38
161089	Shaft 1-39	163504	Gear Set (71 WPM) 1-44	164501	Plate, Mounting 1-38
161100	Spring, Contact 1-27,1-31	163505	Gear Set (107 WPM) 1-44	164502	Modification Kit 1-36,1-37,1-38
161102	Spring, Contact 1-26,1-27	163511	Plate 1-11	164504	Cable Assembly 1-38
161238	Connector, Receptacle (36 Pt) 1-45	163512	Bracket 1-11	164583	Modification Kit - Noise Reduction Gears and Coupling for 60 WPM ASR Set 1-44
161293	Gear Set (60 WPM) 1-44	163519	Sleeve Assembly, Gear 1-17	164584	Modification Kit - Noise Reduction Gears and Coupling for 75 WPM ASR Set 1-44
161294	Gear Set (75 WPM) 1-44	163531	Switch Assembly 1-29	164585	Modification Kit - Noise Reduction Gears and Coupling for 100 WPM ASR Set 1-44
161295	Gear Set (100 WPM) 1-44	163532	Cable Assembly 1-29	164644	Post (6-40) 1-32
161301	Post (6-40) 1-43,1-44	163536	Spacer 1-20	164645	Post (6-40) 1-32
161330	Gear (49 T) 1-44	163585	Bracket Assembly (Right) 1-9	164646	Plate, Nut (6-40) 1-32
161331	Pinion (11 T) 1-44	163586	Bracket Assembly (Left) 1-9	164647	Bracket 1-32
161346	Washer, Felt 1-18	163647	Channel, Ball 1-15	164649	Plate, Mounting 1-32
161347	Washer, Felt 1-35	163775	Modification Kit 1-34	164650	Contact Assembly 1-32
161356	Gear Set (67 WPM) 1-44	163813	Plate W/Stud 1-34	164651	Bail Assembly, Armature 1-32
161440	Spring 1-12, 1-22	163814	Lever W/Hub 1-34	164653	Bracket 1-32
161525	Connector, Plug (14 Pt) 1-10,1-26	163816	Switch, Pushbutton 1-10	164659	Modification Kit 1-32
161826	Plate 1-29	163817	Switch, Pushbutton 1-10	165027	Network, Spark Suppression 1-3
161859	Gear Set (60 WPM) 1-44	163852	Keylever Assembly (Here Is) 1-31	165693	Cable Assembly 1-31
161860	Gear Set (75 WPM) 1-44	163963	Plate 1-11	165694	Cable Assembly, Keyboard 1-45
161861	Gear Set (100 WPM) 1-44	163964	Plate 1-10	170086	Lever W/Extension, Selector 1-18
161882	Plate W/Bracket 1-6	163979	Lever W/Stud, Code Bar 1-31, 1-36	170088	Gear Set (107 WPM) 1-44
161954	Socket, Lamp 1-10	164005	Modification Kit To Provide Universal Switch on Keyboard 1-37		
162075	Disk, Tape Reel (11/16" Tape - 1" Core) 1-28	164082	Cable Assembly, Keyboard 1-45		
162308	Bail, Code Bar 1-19	164107	Bracket 1-24		

NUMERICAL INDEX - SECTION 1 (Continued)

Part Number	Description and Page Number	Part Number	Description and Page Number	Part Number	Description and Page Number
170098	Sleeve Assembly, Cam 1-17	170396	Bail W/Studs 1-8	174314	Cable Assembly, Auxiliary Switch 1-45
170099	Shaft Assembly, Clutch Cam 1-17	170397	Bail 1-7	174350	Bar W/Pin, Code 1-12
170100	Gear Set (100 WPM) 1-44	170398	Lever W/Hub (LLF) 1-7	174410	Box Assembly, Contact 1-21
170101	Bar, Code - #1 (6 Level) 1-13	170399	Lever W/Hub 1-8	174411	Insulator 1-21
170102	Bar, Code - #2 (6 Level) 1-13	170400	Plate, Keypoint Guide 1-9	174412	Spacer 1-21
170103	Bar, Code - #3 (6 Level) 1-13	170401	Frame, Front 1-9	174413	Terminal 1-21
170104	Bar, Code - #4 (6 Level) 1-13	170403	Plate, Right 1-10	174414	Bushing 1-21
170105	Bar, Code - #5 (6 Level) 1-13	170404	Plate, Left 1-10	174415	Cover, Contact Box 1-21
170106	Bar, Code - #0 (6 Level) 1-13	170405	Panel Assembly, Right 1-10	174416	Box, Contact 1-21
170172	Bracket 1-33	170406	Bracket, Space Bar - (Left) 1-9	174421	Filter, R.F. 1-21
170173	Lever W/Hub 1-33	170407	Bracket, Space Bar - (Right) 1-9	174422	Filter, R.F. 1-21
170185	Pinion (25 T) 1-44	170409	Bail, Space Bar 1-9	174491	Modification Kit To Provide R.F. Filter Assembly for Signal Generator Contacts 1-20
170186	Gear (119 T) 1-44	170410	Plate, Nur 1-2		
170189	Pinion (15 T) 1-44	170412	Bracket, Switch Mounting 1-7		
170190	Gear (51 T) 1-44	170413	Contact Assembly 1-7		
170293	Pinion (11 T) 1-44	170414	Lever, Code Bar (Space) 1-13		
170297	Gear (33 T) 1-44	170418	Bracket 1-23		
170320	Connector, Receptacle (24 Pt) 1-45	170419	Spacer 1-9	176304	Bracket 1-36,1-41
170321	Cable Assembly, Control Panels 1-45	170456	Panel Assembly 1-28	176305	Lever, Reset 1-41
170322	Lens, Pilot Light (Red) 1-10	170494	Keylever Assembly (LOC RLF) 1-8	176306	Pawl 1-41
170323	Lens, Pilot Light (Yellow) 1-10	170496	Keylever Assembly (LOC B, SP) 1-8	176307	Arm, Drive 1-41
170324	Bracket 1-12,1-13			176308	Screw, Eccentric (4-40) 1-41
170325	Bar Assembly, Auxiliary Code 1-13	170499	Panel Assembly, Left 1-10	176309	Finger 1-41
170329	Plate, Left 1-10	171559	Bulb, Lamp (28 Volt) 1-10	176310	Bracket 1-41
170330	Plate, Right 1-10	172945	Modification Kit 1-36,1-37,1-38	176311	Pawl, Release Lug 1-41
170331	Bar Assembly 1-15	172947	Plate, Mounting 1-38	176312	Screw, Eccentric (4-40) 1-41
170332	Bail Assembly 1-15	172948	Resistor Assembly 1-38	176313	Latch, Drive Pawl 1-41
170334	Shaft Assembly, Clutch Cam 1-17	172976	Filter, R.F. 1-20	176314	Roller 1-41
170337	Indicator Assembly, Margin 1-23	172978	Cover, Contact 1-14	176316	Spacer, Reset Lever 1-41
170342	Cable Assembly, Keyboard 1-45	173028	Post (6-40) 1-37	176318	Shaft 1-41
170349	Container Assembly 1-28	173029	Lever, Latch Operating 1-37	176320	Plate 1-41
170350	Bar, Code - #0 (8 Level) 1-13	173095	Link 1-37	176321	Shim, Washer 1-41
170351	Bar, Code - #1 (8 Level) 1-13	173096	Stud, Eccentric (6-40) 1-19,1-37	176323	Plate, Side 1-41
170352	Bar, Code - #2 (8 Level) 1-13	173122	Modification Kit To Eliminate Interference with the Code Bar Reset Bail 1-37	176339	Post, Stop 1-19
170353	Bar, Code - #3 (8 Level) 1-13			176354	Sleeve 1-18
170354	Bar, Code - #4 (8 Level) 1-13	173220	Plate, Left 1-10	176395	Modification Kit 1-41
170355	Bar, Code - #5 (8 Level) 1-13	173221	Panel Assembly, Left 1-10	176405	Modification Kit 1-34
170356	Bar, Code - #6 (8 Level) 1-13	173222	Cable Assembly 1-45	176406	Bracket 1-34
170357	Bar, Code - #7 (8 Level) 1-13	173237	Cable Assembly 1-45	176407	Lever 1-34
170358	Bracket 1-2	173398	Cable Assembly 1-37	176436	Cam, Control 1-22
170360	Bar, Auxiliary Code 1-13	173454	Cable Assembly 1-45	176632	Bracket 1-39
170361	Bar, Clutch Trip 1-13	173508	Gear (66 T) 1-6	176633	Switch, Rotary 1-39
170362	Latch, Auxiliary 1-13	173645	Coupling 1-5,1-6	176634	Lever, Actuator 1-39
170363	Bracket, Left 1-13	173711	Cable Assembly, Margin Indicator 1-23	176659	Lever W/Hub, Trip 1-3
170364	Bracket, Right 1-13			176661	Bracket W/Post 1-3
170365	Guide Assembly, Code Lever 1-13	173793	Gear (100 T) 1-44	176663	Link 1-2
170366	Shaft 1-13	173794	Pinion (14 T) 1-44	176672	Solenoid 1-3
170369	Bracket, Support 1-13	173795	Gear Set (65 WPM) 1-44	176673	Suppressor, Spark 1-3
170370	Lever W/Stud, Function 1-13	174034	Screw (4-40 x 13/16 Hex) 1-26	176674	Bracket 1-28
170371	Lever W/Stud, Function 1-13	174179	Spacer 1-31	176675	Solenoid Assembly 1-3
170372	Bail W/Bushings 1-15	174181	Bracket, Relay Mounting 1-31	176682	Cable Assembly, Keyboard 1-45
170374	Blade, Front 1-15	174182	Relay 1-31	176691	Resistor (500 Ohm) 1-3
170375	Lever W/Stud (Aux) 1-13	174183	Guard 1-31	176700	Base 1-3
170376	Channel Assembly, Bail 1-15	174184	Plate, Cover 1-31	176702	Bracket 1-3
170379	Retainer Assembly, Bail 1-15	174217	Frame 1-39	176703	Plate, Mounting 1-3
170380	Retainer, Wedge 1-15	174219	Bracket 1-39	176709	Container Assembly 1-28
170381	Lever, Start 1-18	174220	Bushing 1-39	176752	Ring, Retaining 1-42
170382	Lever W/Extension, Selector 1-18	174221	Washer, Spring 1-39	176770	Bracket 1-42
170383	Lever W/Extension, Selector 1-18	174222	Armature 1-39	176771	Shaft 1-42
170385	Frame W/Bushings 1-16	174223	Cover 1-39	176772	Gear (56 T) 1-42
170386	Guide 1-18	174225	Cable Assembly 1-39	176774	Gear (42 T) 1-42
170388	Post, Guide 1-18	174226	Cable Assembly 1-39	176776	Gear (50 T) 1-42
170390	Bail, Locking 1-18	174227	Cable Assembly 1-39	176779	Wick, Felt 1-42
170391	Guide 1-18	174238	Magnet Assembly 1-39	176780	Hub 1-42
170392	Lever, Non-Repeat 1-19	174250	Pin, Roll 1-42,1-43	176781	Shaft, Clutch 1-42
170395	Bracket, Function 1-7			176782	Gear (63 T) 1-42
				176784	Bearing W/Flange 1-42
				176787	Gear (66 T) 1-42

NUMERICAL INDEX - SECTION 1 (Continued)

Part Number	Description and Page Number	Part Number	Description and Page Number	Part Number	Description and Page Number
176789	Hub 1-42	178726	Bracket, Spring 1-30	193802	Modification Kit: To Equip LAK
176790	Washer, Bearing 1-42	178728	Modification Kit To Improve		Keyboard Perforator Bases with Per-
176792	Sleeve W/Stud (100 WPM) 1-42		Character Counter 1-30		forator Trip Delay Mechanism 1-19
176793	Sleeve (60 WPM) 1-42	178785	Shaft Assembly, Clutch Cam 1-17	194425	Modification Kit 1-32
176794	Spring, Clutch (R. H.) 1-42	178786	Cable Assembly, Keyboard 1-45	194452	Lever Assembly 1-12
176795	Spring, Clutch (L. H.) 1-42	178787	Sleeve Assembly, Gear 1-17	194925	Pinion (13 T) 1-44
176796	Wick, Felt 1-42	178790	Contact Assembly 1-14	194926	Gear (81 T) 1-44
176797	Gear (48 T) 1-42	178795	Sleeve Assembly, Cam 1-17	194927	Gear Set (67 WPM) 1-44
176799	Gear (35 T) 1-42	178849	Card Assembly, Indicator 1-30	194928	Gear Set (67 WPM) 1-44
176801	Guard, Gear 1-42	178851	Pulley 1-30	195144	Pinion (11 T) 1-44
176802	Plate, Bearing (Right) 1-42	178871	Sleeve, Insulating (7/16 x 1-1/8")	195145	Gear (49 T) 1-44
176803	Plate, Bearing (Left) 1-42		1-38	195146	Gear Set (67 WPM) 1-44
176804	Shaft, Idler 1-42	179170	Screw (6-40 x 3/4 Rd) 1-10	195147	Gear Set (67 WPM) 1-44
176805	Gear (25 T) 1-42	179258	Bracket, Scale 1-30	195154	Modification Kit 1-5,1-43
176807	Shaft, Trip 1-42	179278	Drum, Ratchet 1-30	195155	Cable Assembly, Backspace 1-43
176808	Bracket 1-42	179279	Bracket W/Posts, Hub and Bushing	195156	Pinion (28 T) 1-43
176809	Bracket 1-42		1-30	195157	Gear (49 T) 1-43
177005	Contact Assembly 1-14	179362	Cable Assembly 1-32	195158	Bracket W/Bearings 1-43
177018	Bracket 1-39	179363	Cable Assembly 1-32	195160	Pinion (20 T) 1-43
178142	Sleeve Assembly, Cam 1-17			195161	Shaft 1-43
178329	Cable Assembly 1-31	179599	Cable Assembly 1-2	195162	Plate, Nut (10-32) 1-43
178331	Cable Assembly, Keylever Contact	179621	Cable Assembly, Auxiliary 1-45	195163	Bracket 1-43
	1-31	179623	Resistor W/Terminals (3,920 Ohm)	195164	Bracket W/Bearings 1-5
178339	Cable Assembly 1-31		1-2	195165	Shaft W/Bearings and Gear 1-5
178340	Relay Assembly, Control 1-31	179740	Cable Assembly 1-39	195166	Plate 1-5
178346	Modification Kit 1-17,1-31	179990	Button (Black) 1-10	195167	Lever 1-43
178349	Cable Assembly, Control Relay	179991	Button (Red) 1-10	195168	Bracket 1-43
	1-31	179992	Button (Gray) 1-10	195169	Bracket 1-43
178490	Modification Kit To Prevent	192533	Plate W/Stud, Rear 1-19	195186	Screw (4-40 x 7/8 Hex) 1-20
	Keyboard Lockup 1-12	192534	Post, Locking Bail 1-18	195187	Screw (4-40 x 1-1/2 Hex) 1-20,
178491	Bail 1-19				1-21
178492	Lever 1-19	192629	Shaft 1-6	195263	Pinion (22 T) 1-43
178493	Latch W/Hub 1-19	192681	Screw, Special (4-40) 1-15	195264	Gear (49 T) 1-43
178494	Spring, Torsion 1-19	193565	Coupling, Flexible 1-6,1-44	195417	Shaft, Driven 1-43
178725	Spring 1-30	193654	Clamp, Armature 1-32	195418	Gear (48 T) 1-43
				195420	Pawl 1-43

SECTION 2

PERFORATOR (LPE NON-TYPING — LTPE TYPING)

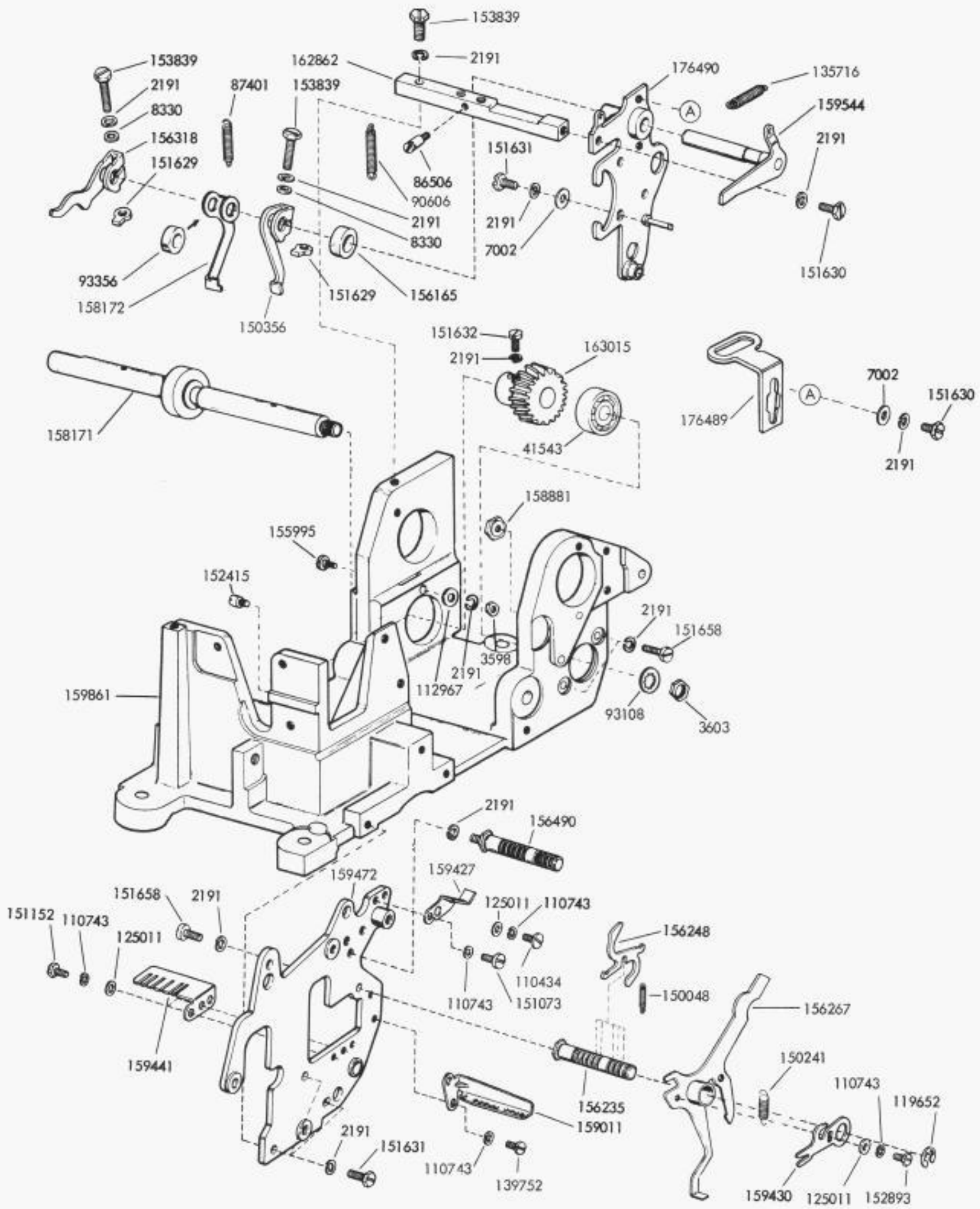


FIGURE 2-1. FRAME MECHANISM (TYPING PERFORATOR)

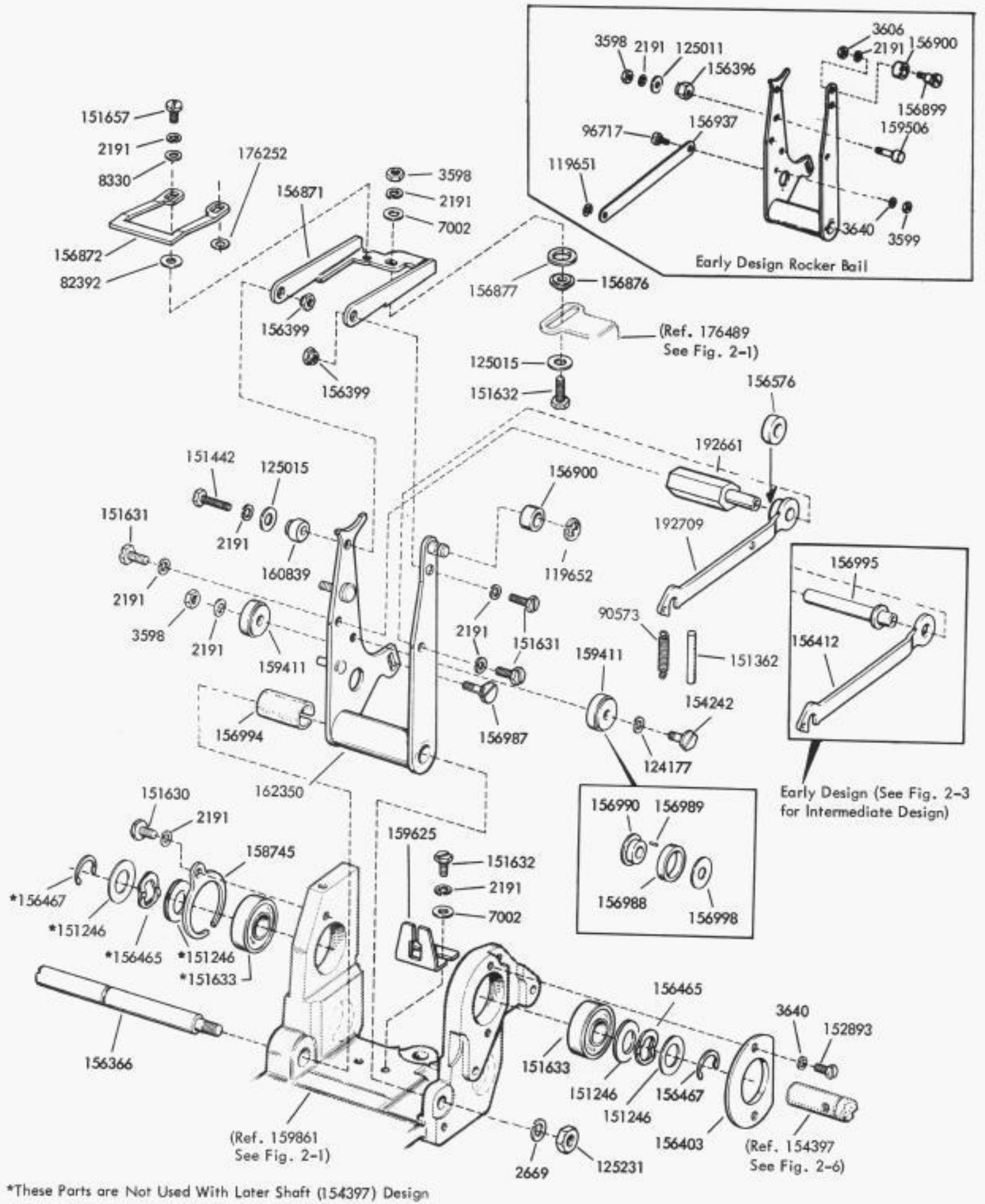


FIGURE 2-2. FRAME MECHANISM (TYPING PERFORATOR)

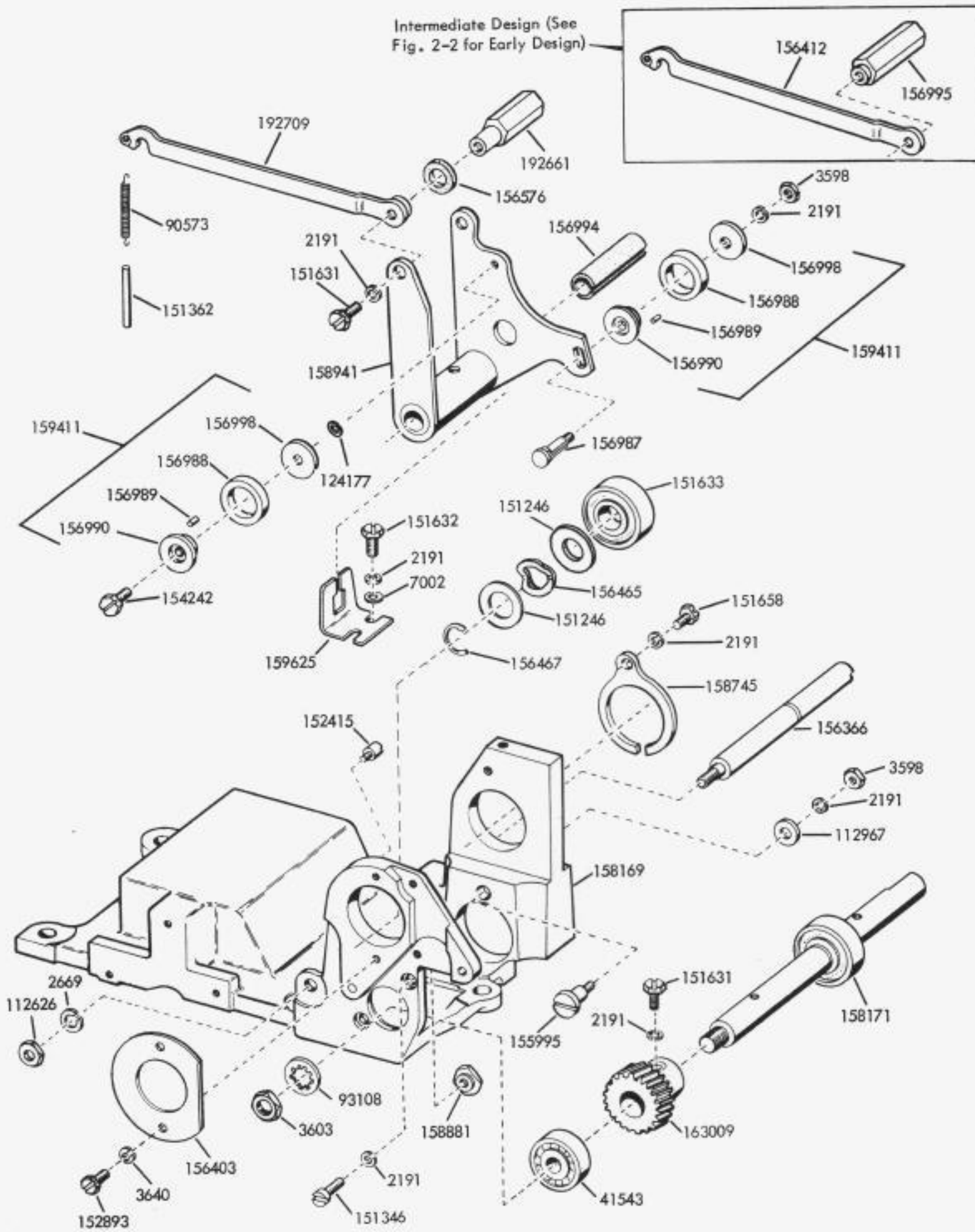


FIGURE 2-3. FRAME MECHANISM (NON-TYPING PERFORATOR)

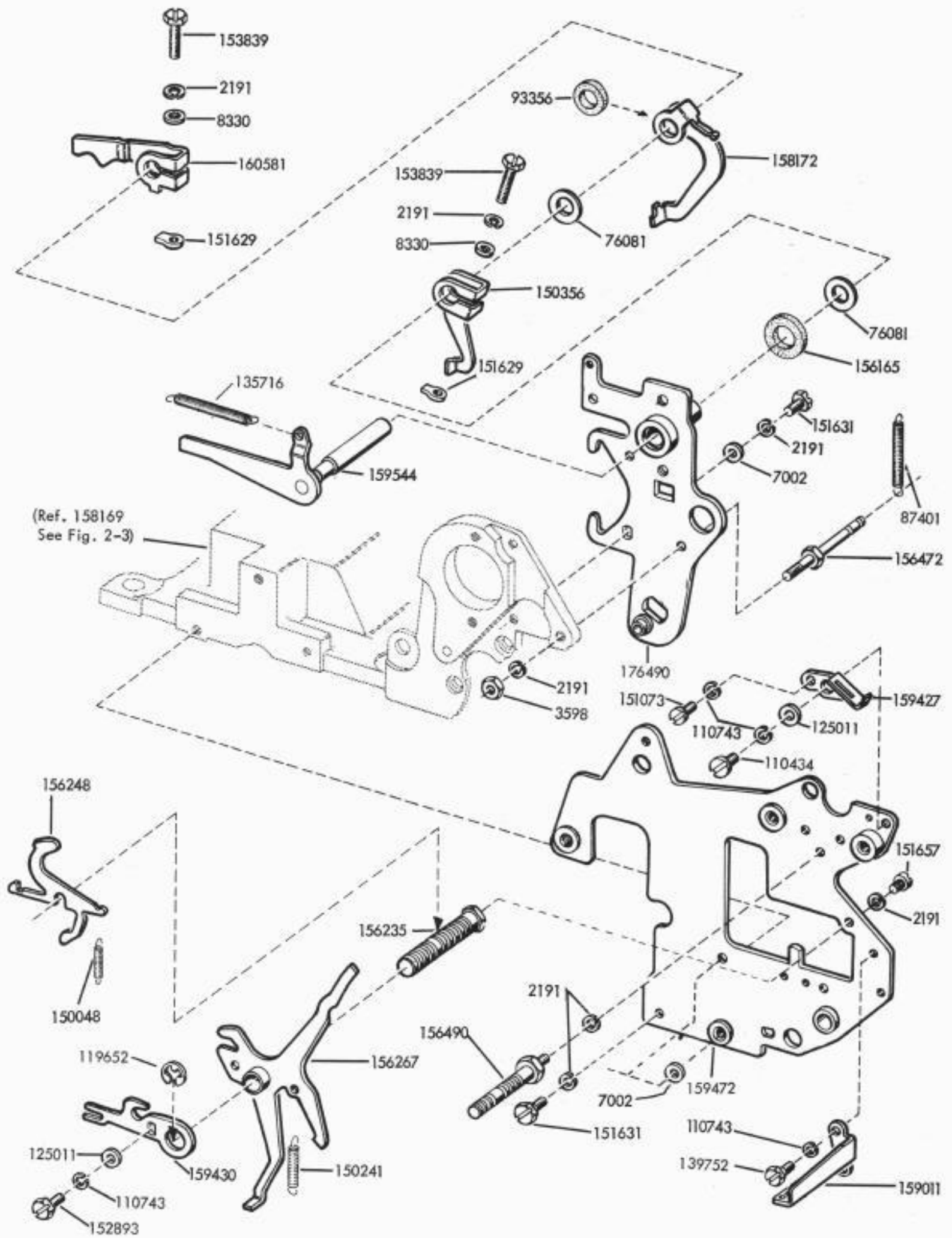
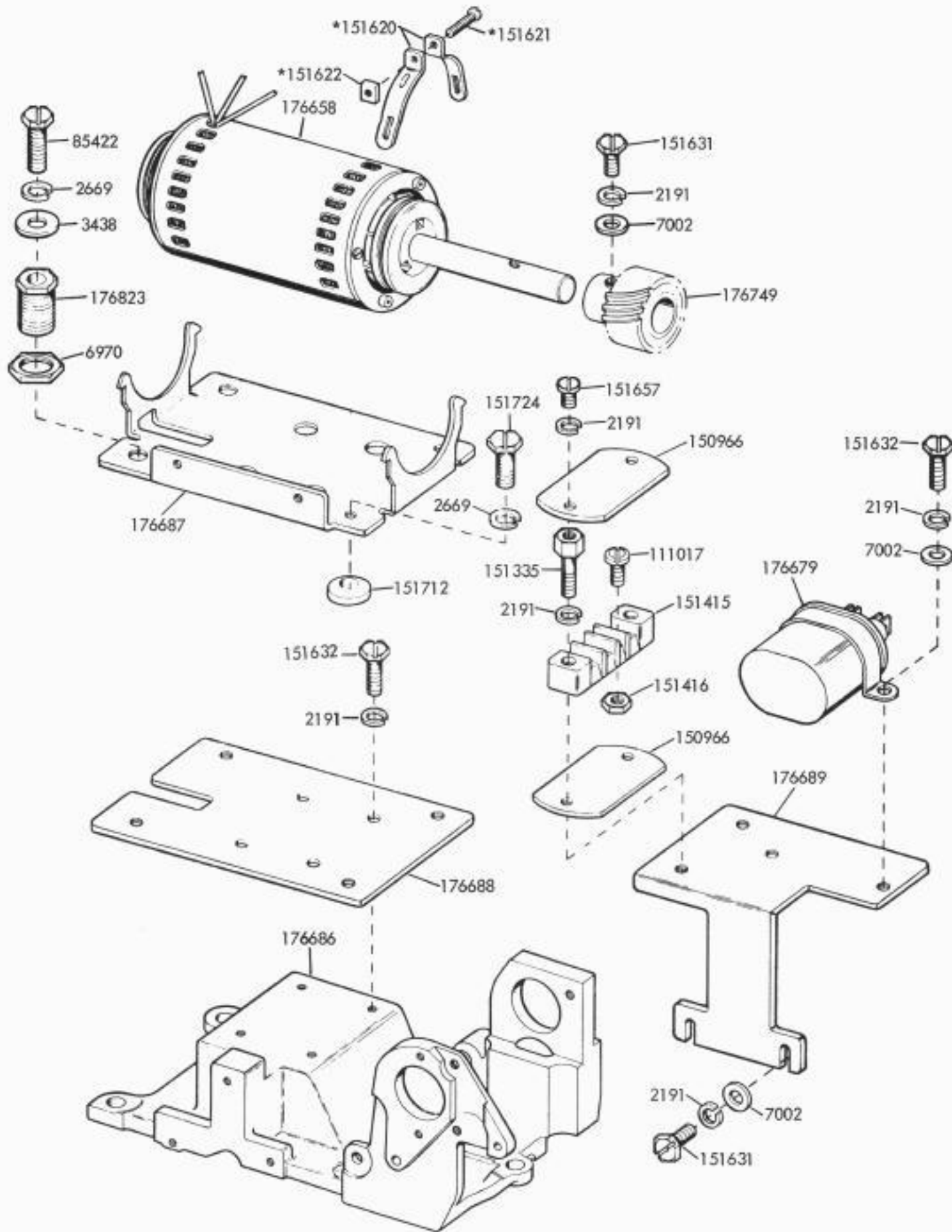


FIGURE 2-4. FRAME MECHANISM (NON-TYPING PERFORATOR)



*PART OF 122207

FIGURE 2-5. FRAME AND MOTOR MOUNTING PARTS (NON-TYPING PERFORATOR)

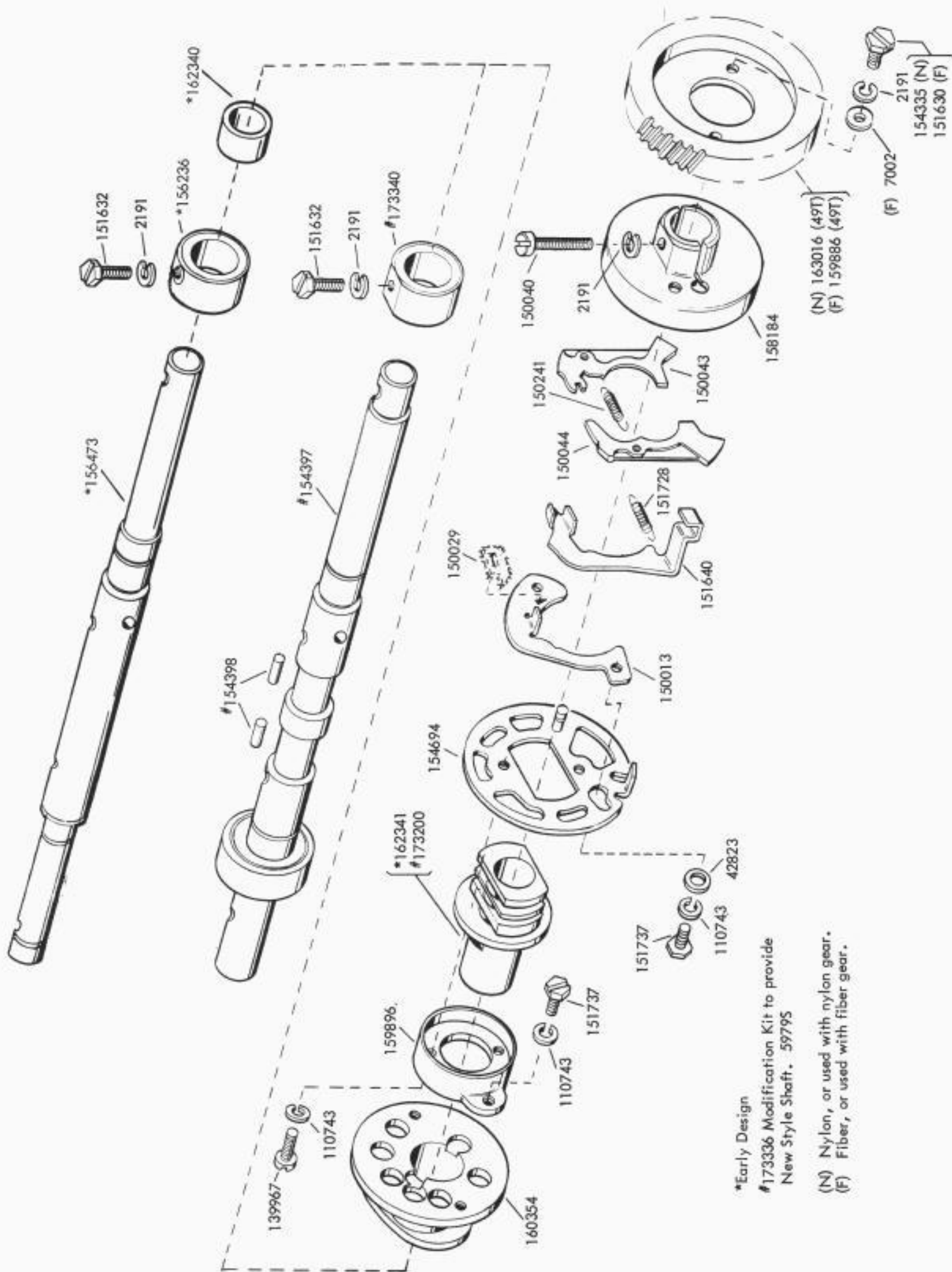


FIGURE 2-6. MAIN SHAFT MECHANISM (TYPING PERFORATOR)

*Early Design

#173336 Modification Kit to provide New Style Shaft. 59795

(N) Nylon, or used with nylon gear.
(F) Fiber, or used with fiber gear.

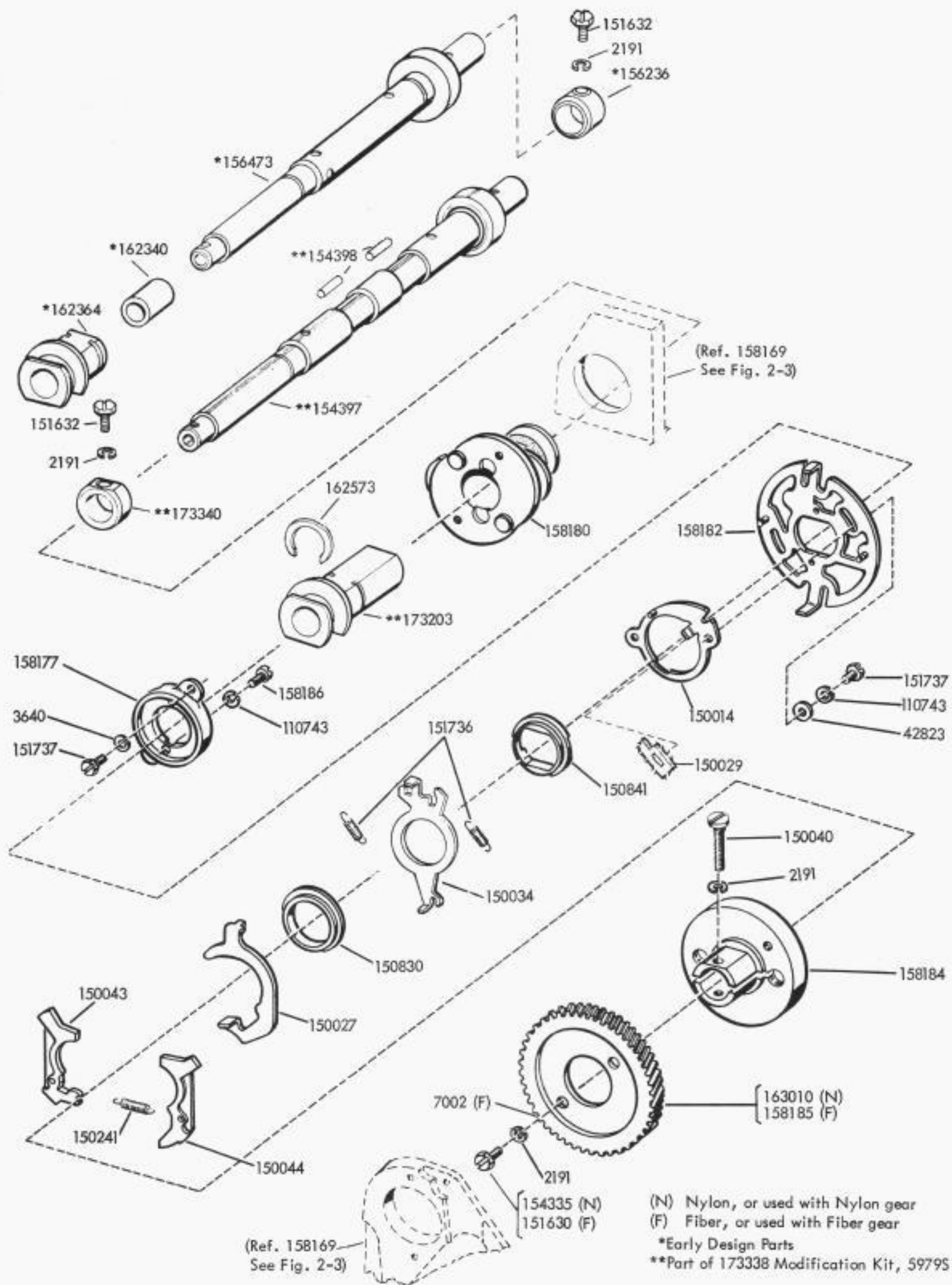


FIGURE 2-7. MAIN SHAFT MECHANISM (NON-TYPING PERFORATOR)

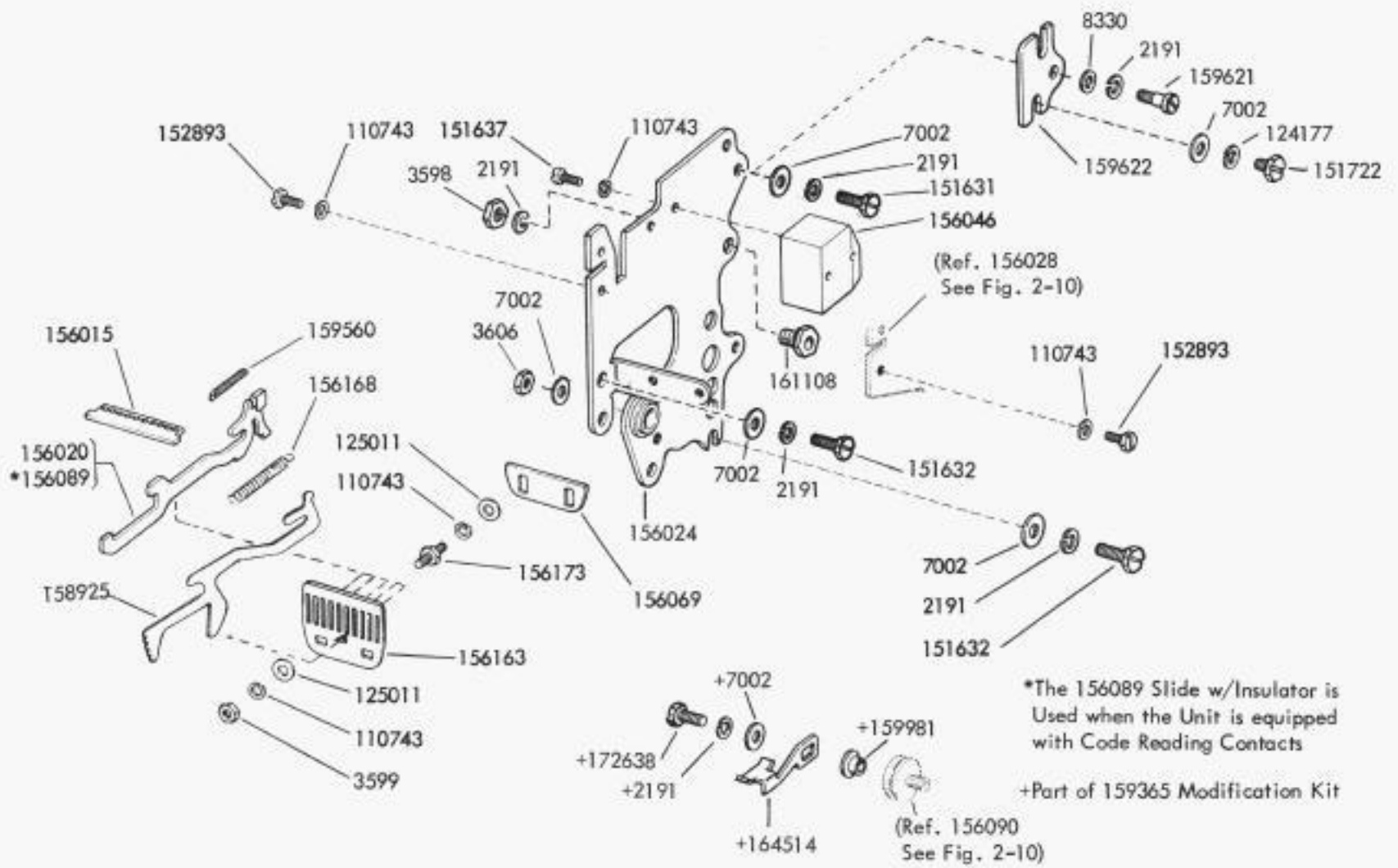


FIGURE 2-8. PUNCH REAR PLATE MECHANISM

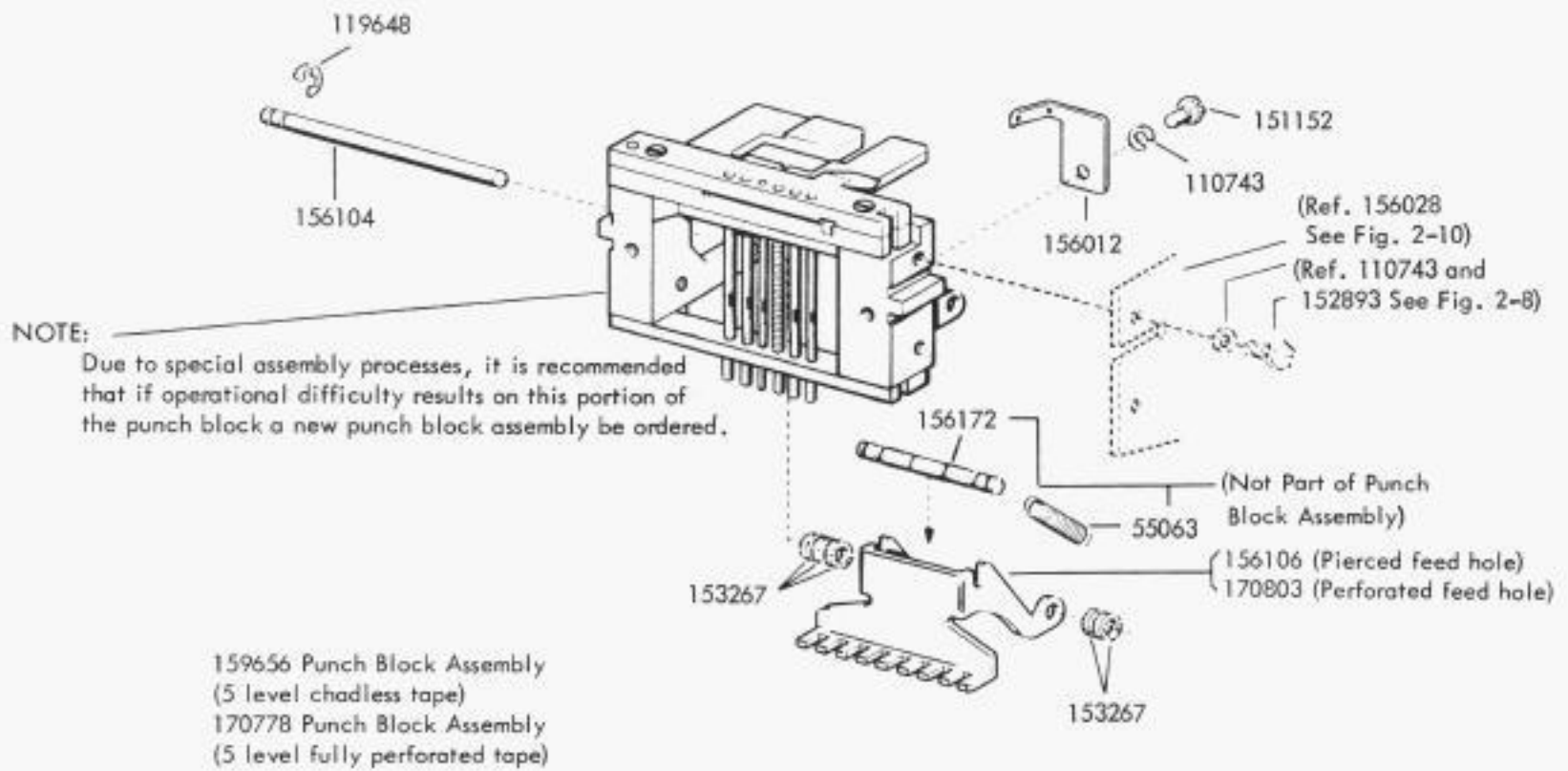


FIGURE 2-9. PUNCH BLOCK ASSEMBLIES

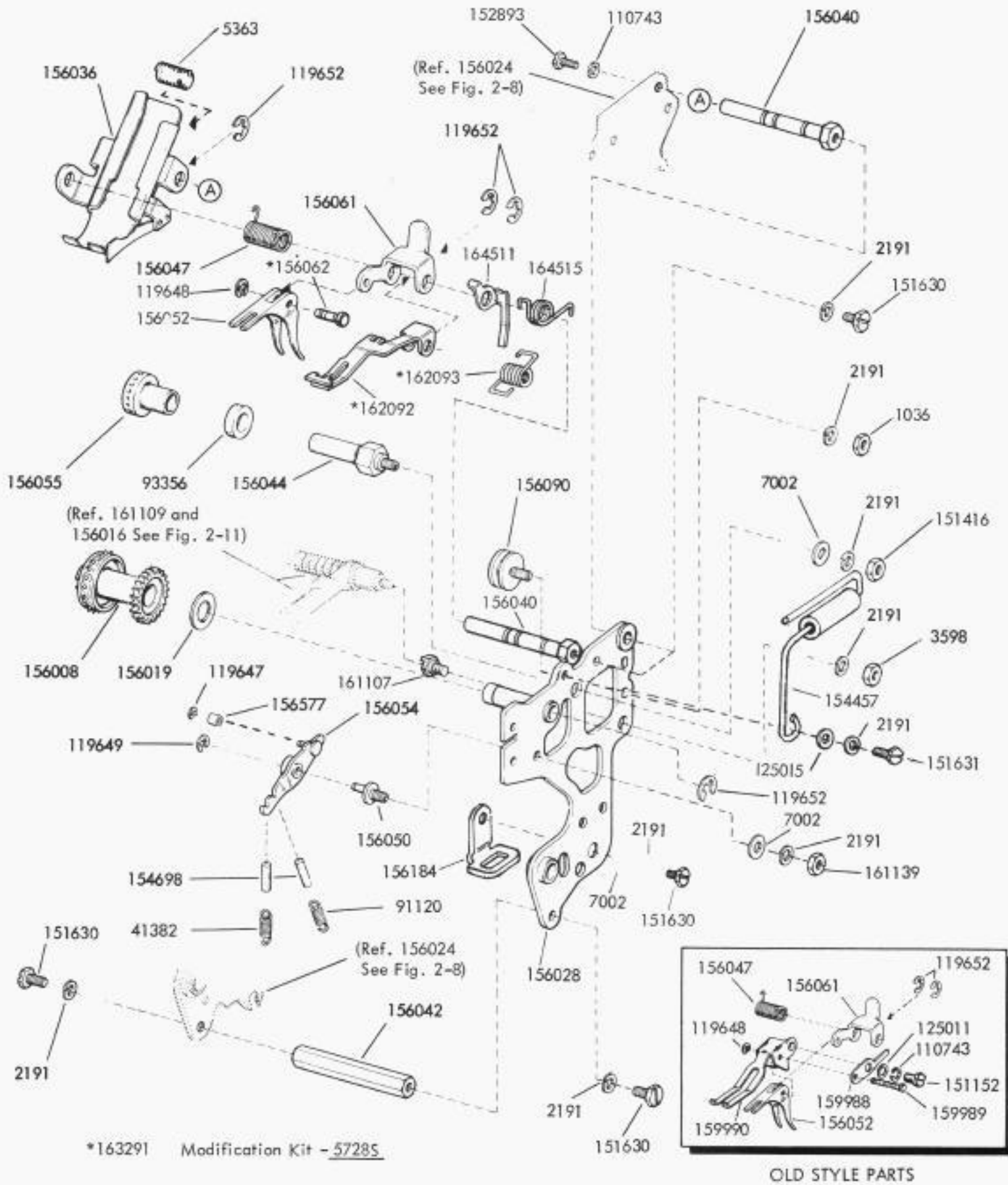


FIGURE 2-10. PUNCH BLOCK PLATE MECHANISM

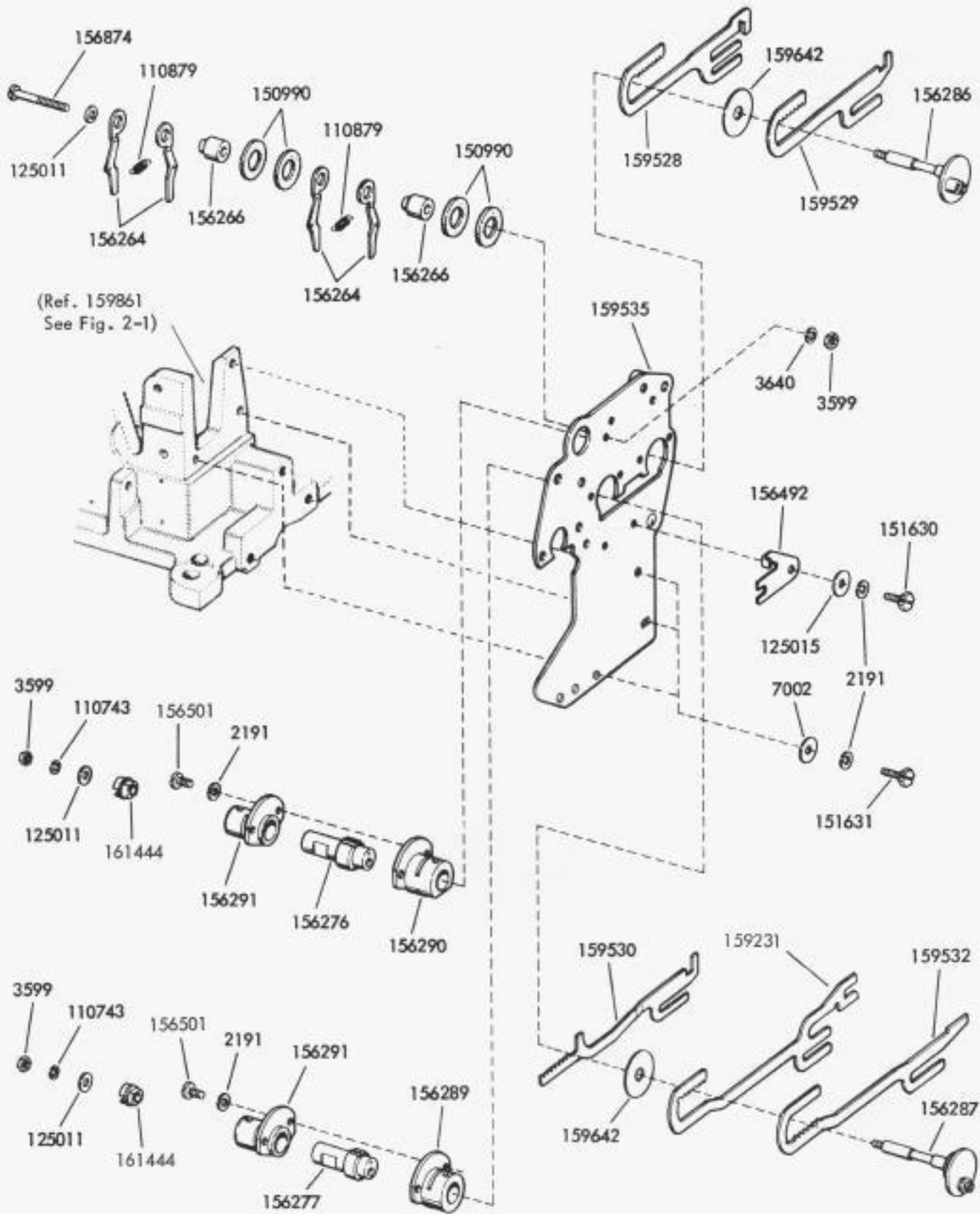


FIGURE 2-12. ROTARY POSITIONING MECHANISM

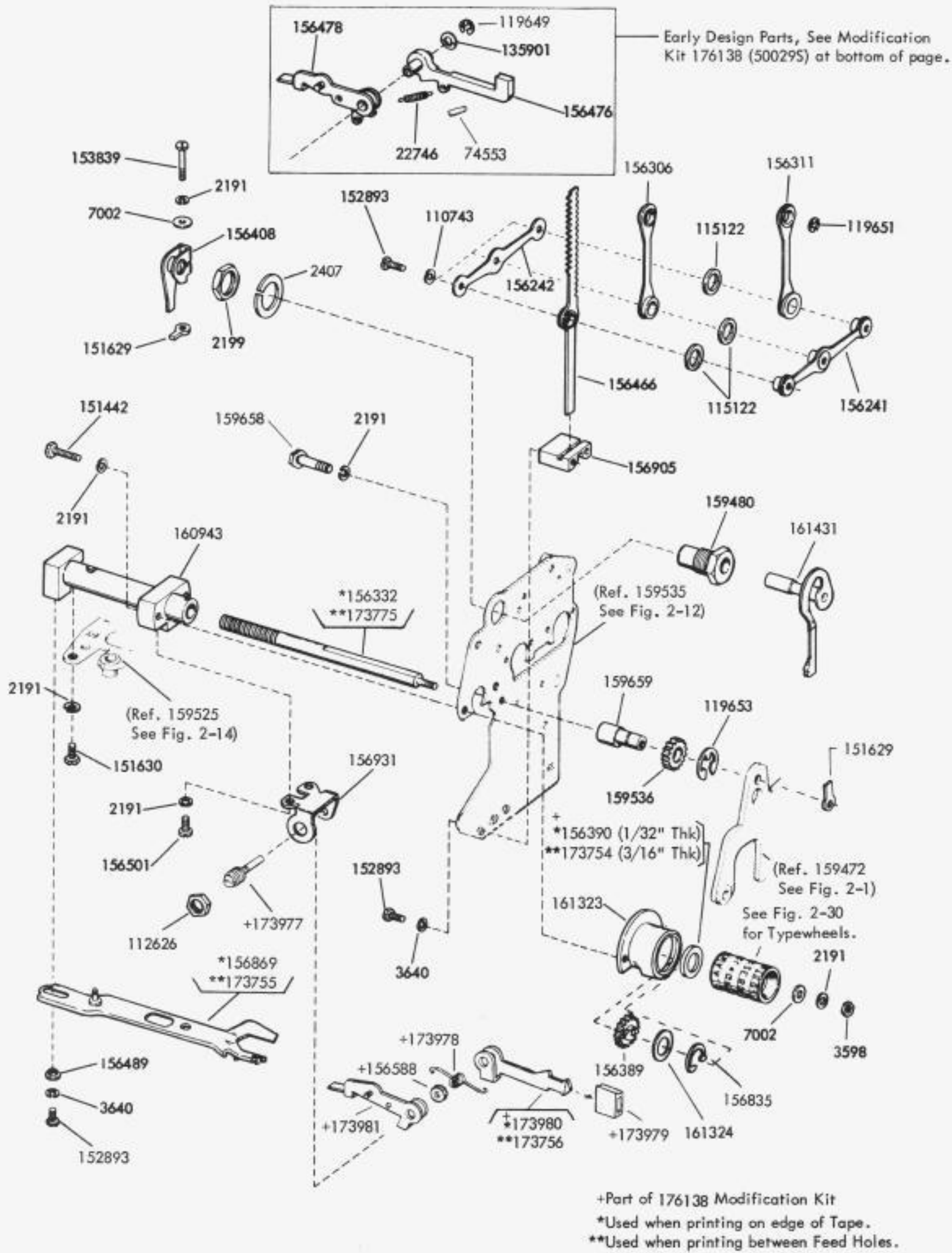


FIGURE 2-13. ROTARY POSITIONING MECHANISM

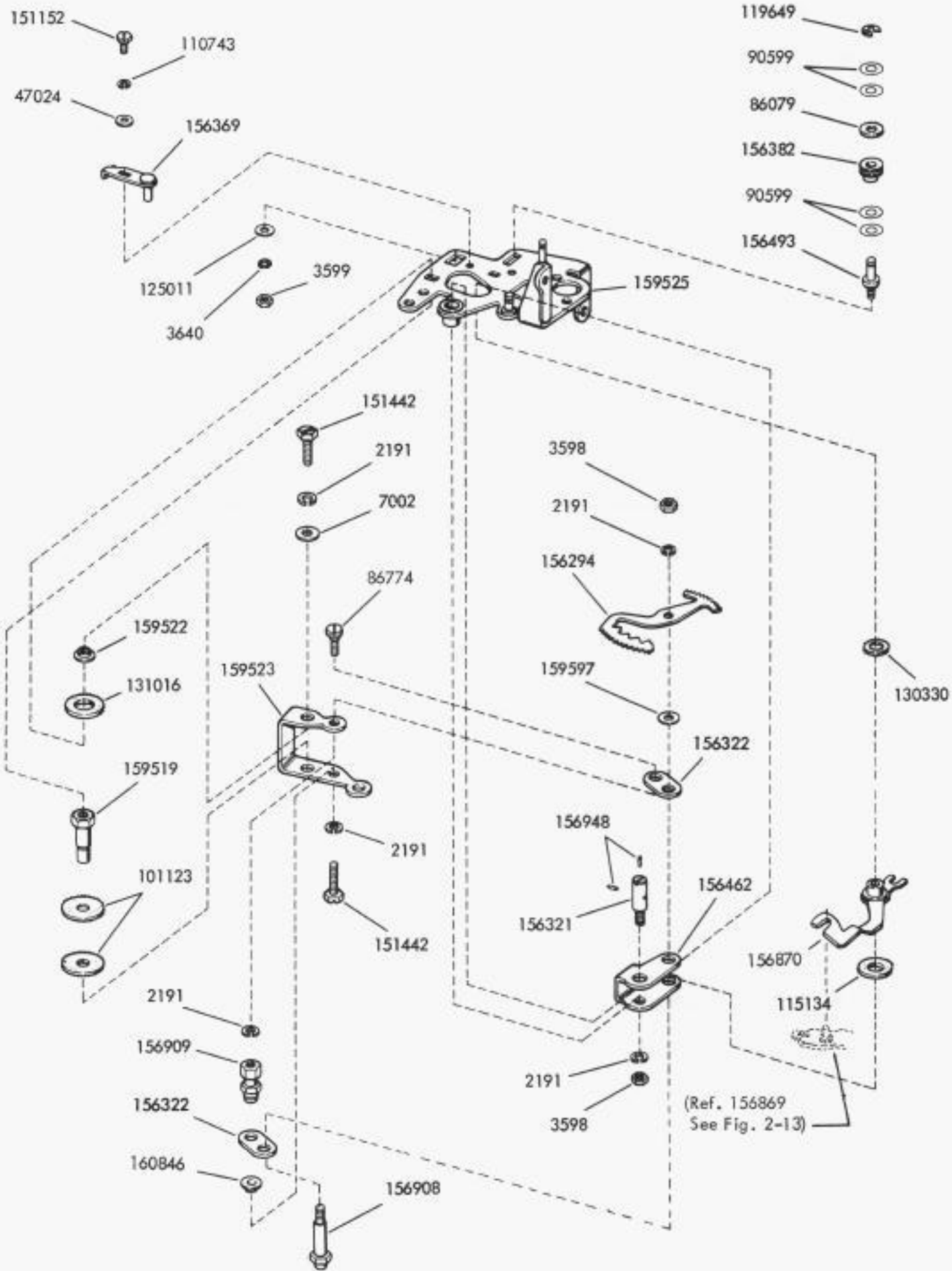


FIGURE 2-14. AXIAL POSITIONING MECHANISM

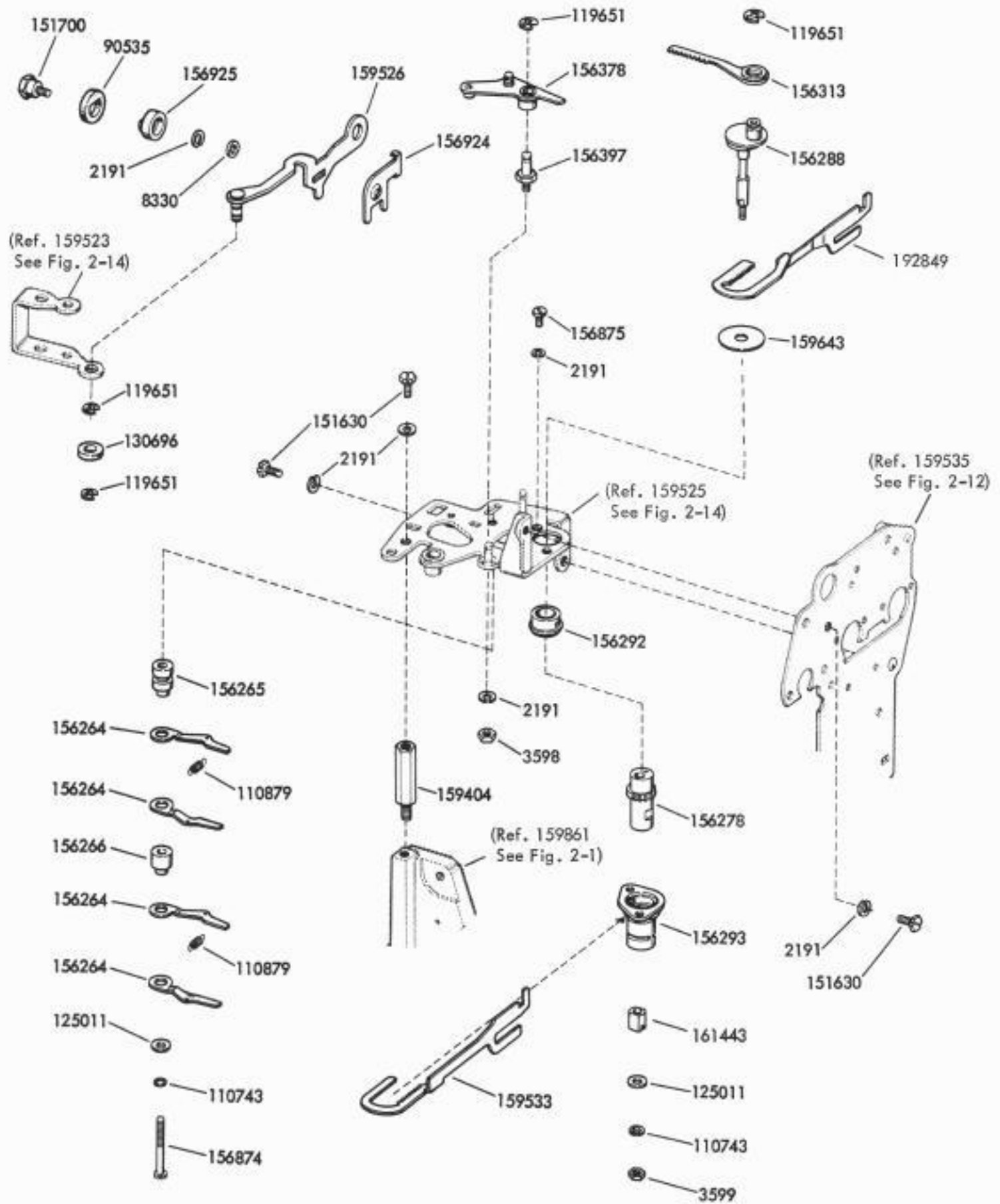


FIGURE 2-15. AXIAL POSITIONING MECHANISM

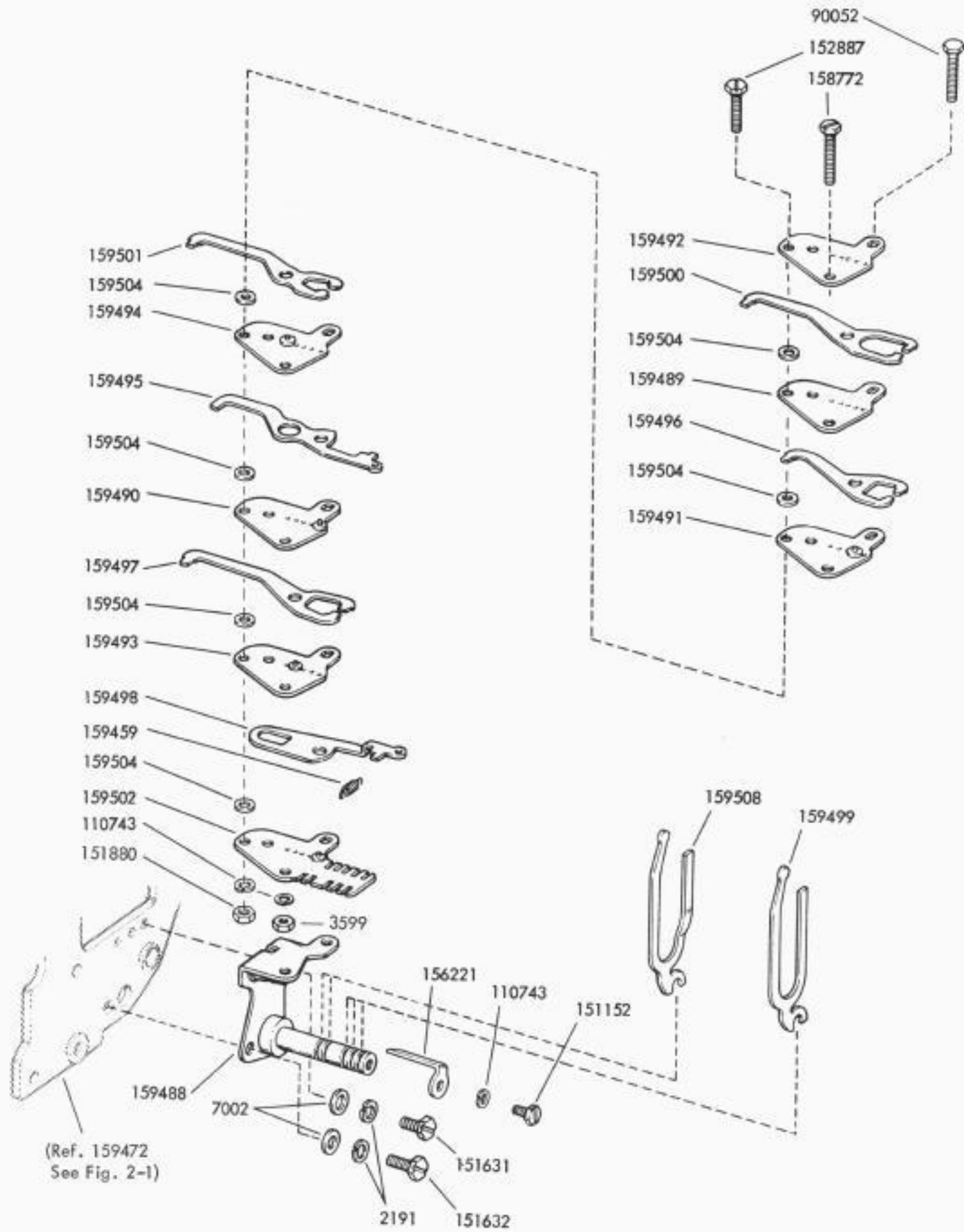
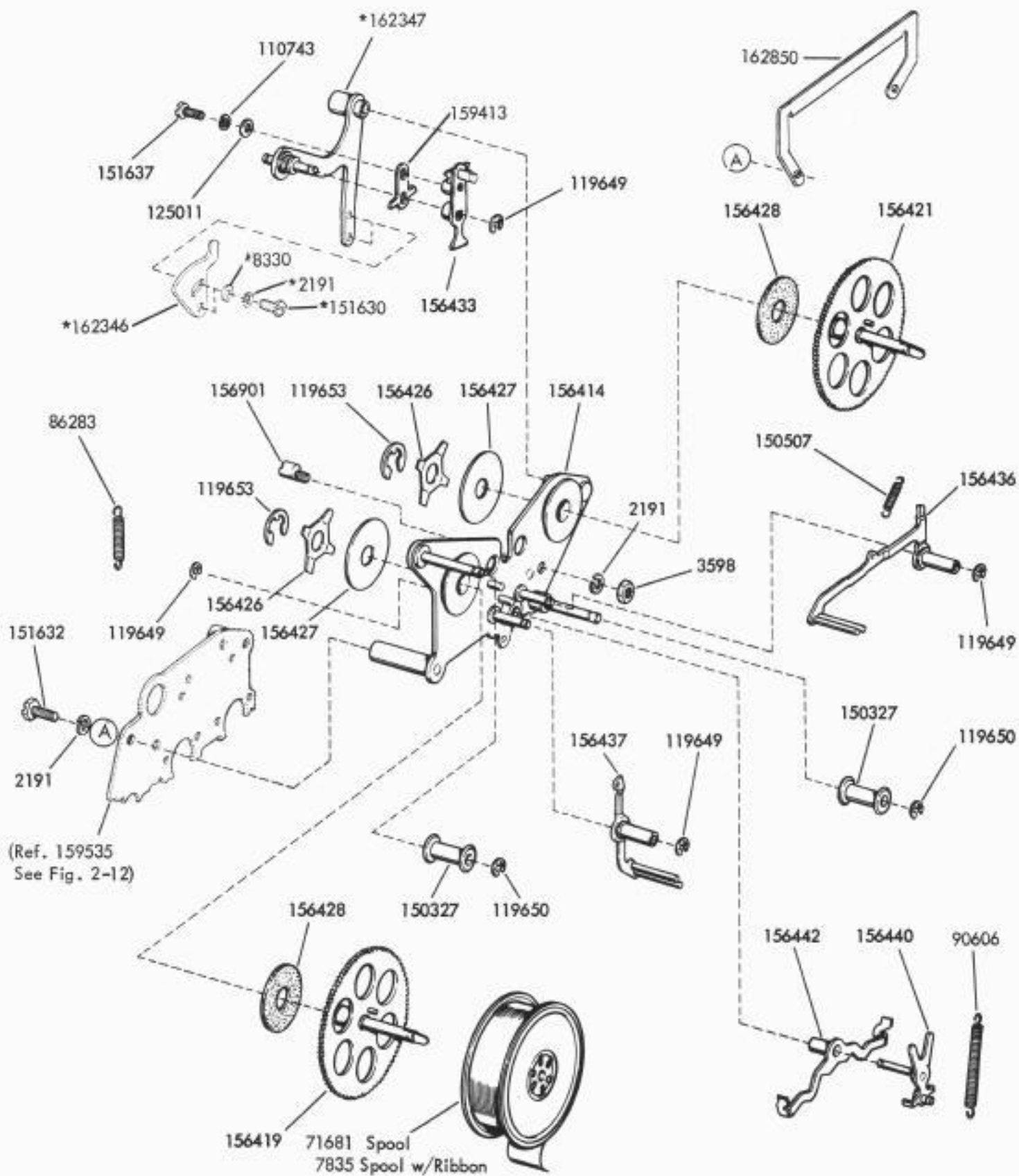


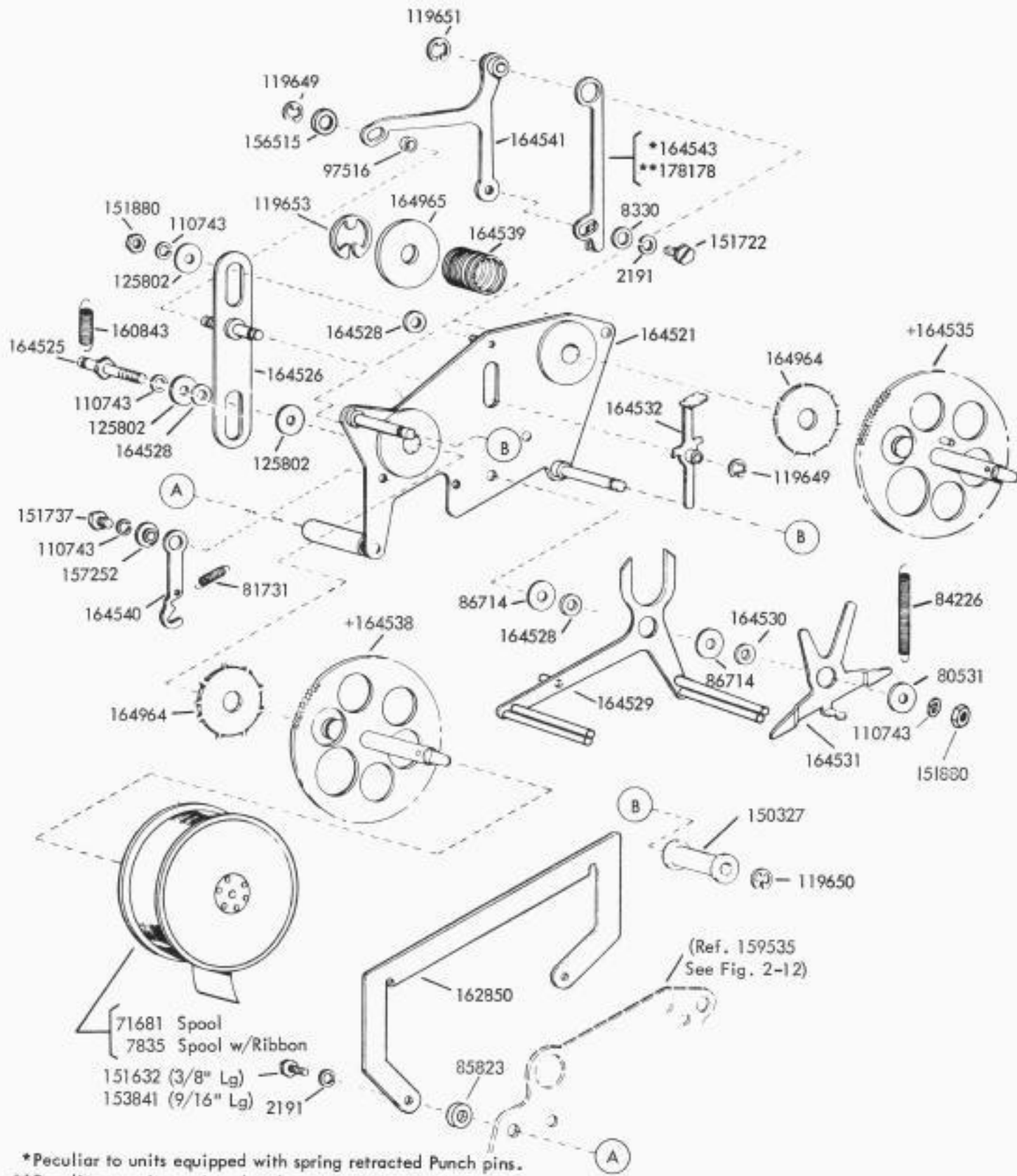
FIGURE 2-17. TRANSFER MECHANISM



*Part of 154325 Modification Kit

For Latest Design Ribbon Feed Mechanism See Figure 2-19.

FIGURE 2-18. RIBBON FEED MECHANISM (EARLY DESIGN)



*Peculiar to units equipped with spring retracted Punch pins.
 **Peculiar to units equipped with power retracted Punch pins.

For Early Design Ribbon Feed Mechanism See Figure 2-18.

+A 179579 Decalcomania which shows direction of "Ribbon to Roller" is available.

FIGURE 2-19. RIBBON FEED MECHANISM (LATE DESIGN)

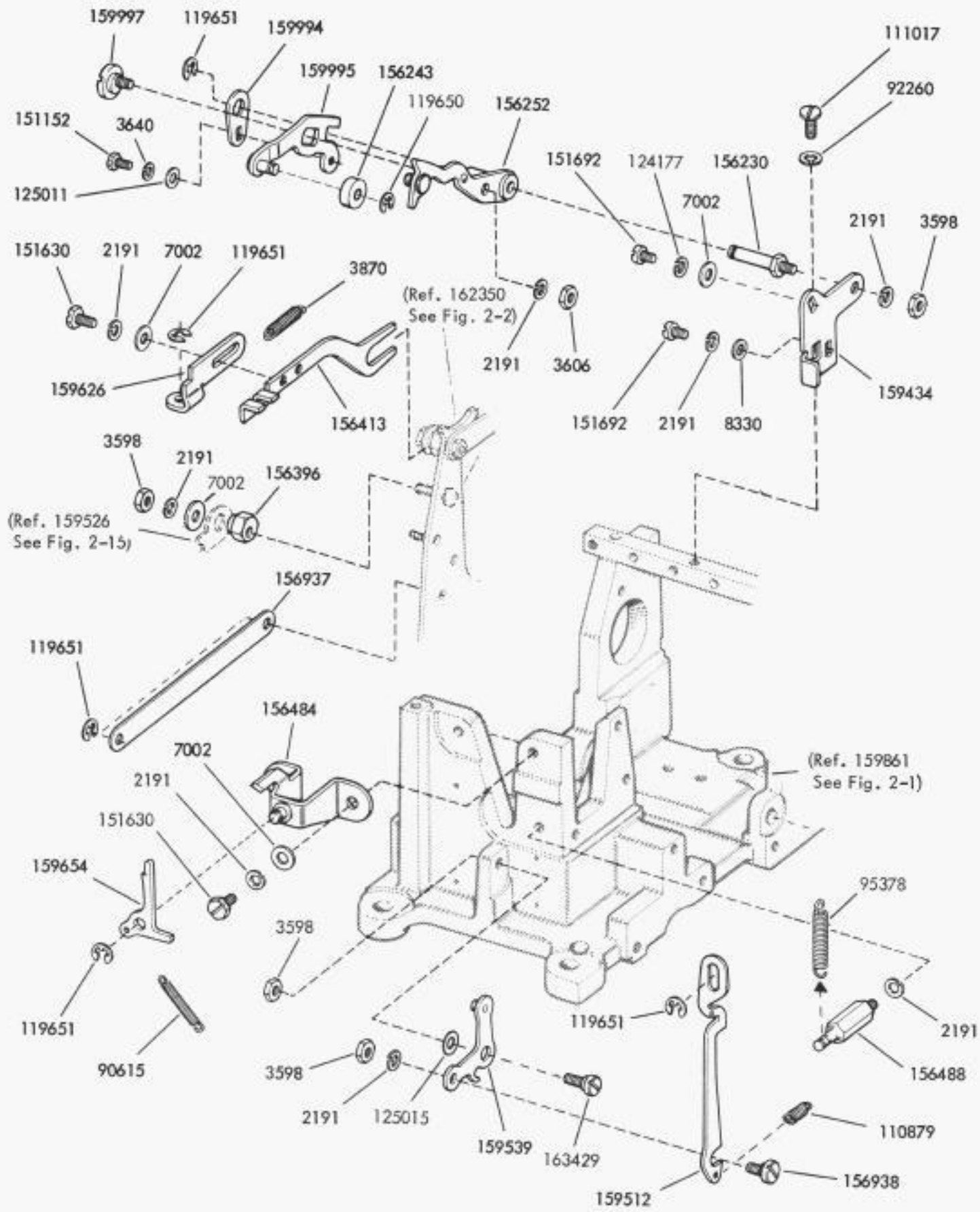
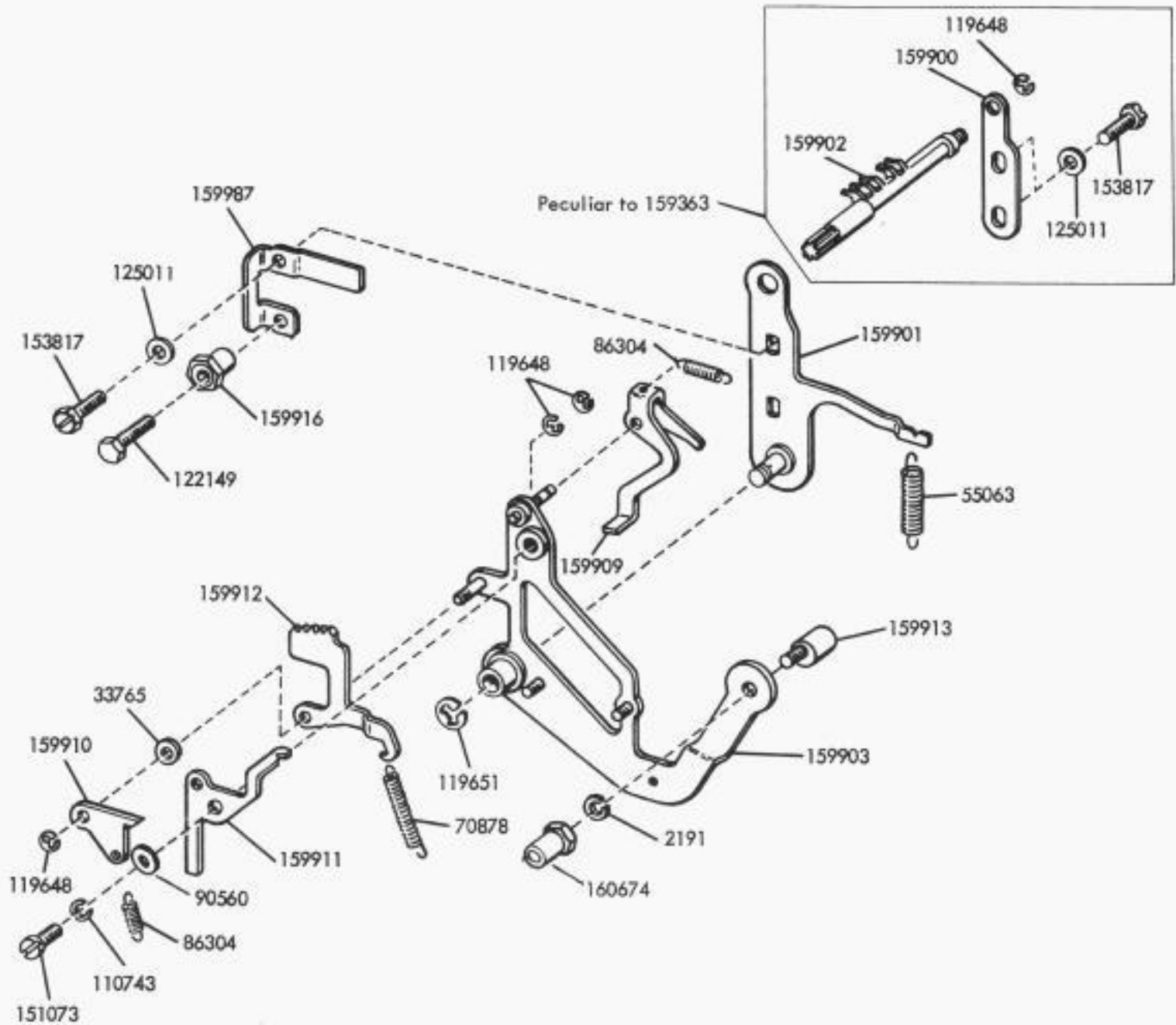


FIGURE 2-20. TYPING MECHANISM



159363 (Chadless Tape)
 172640 (Fully Perforated)

FIGURE 2-21. 159363 AND 172640 MODIFICATION KITS TO ADD MANUAL BACKSPACE

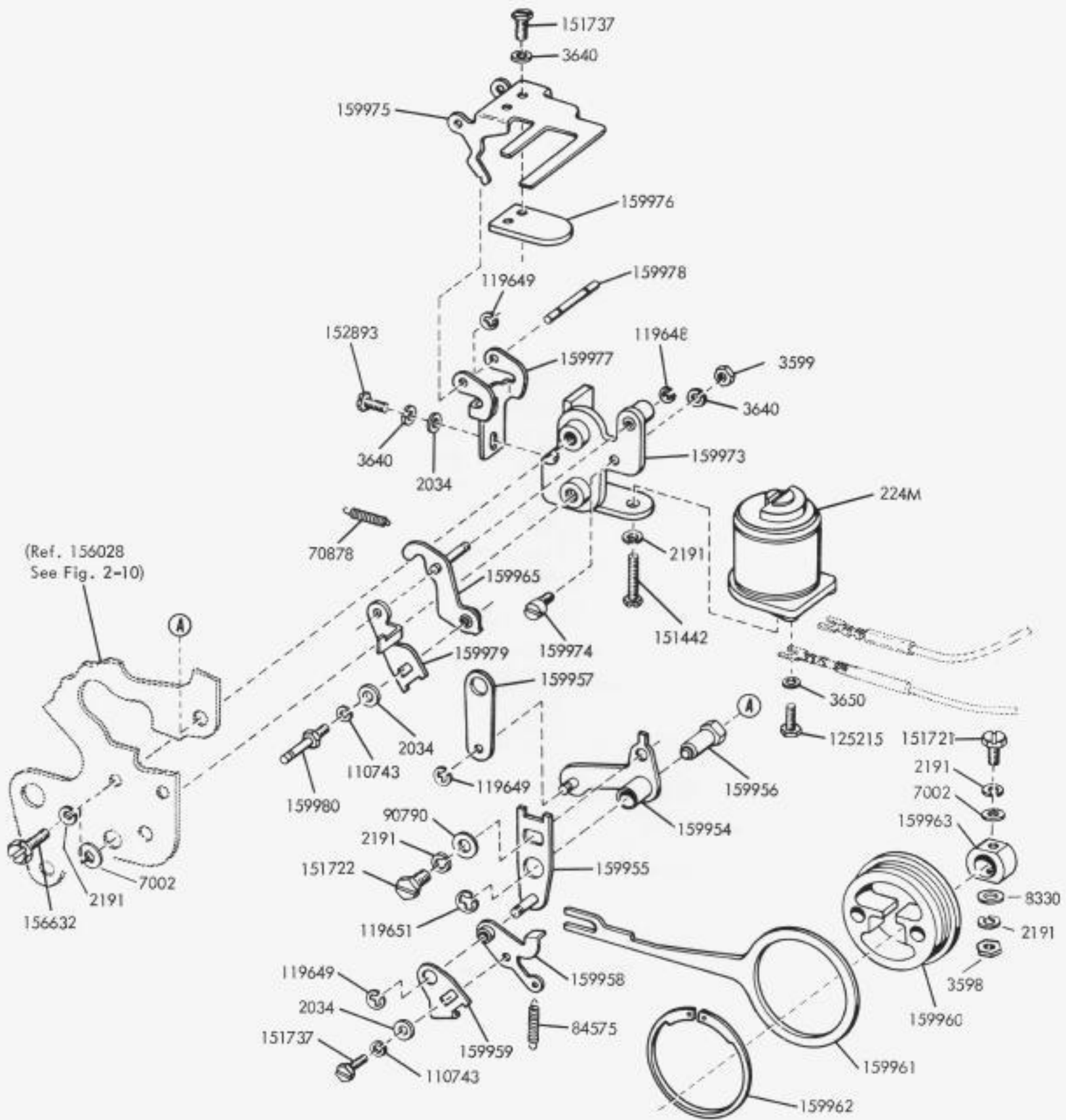


FIGURE 2-22. 159364 MODIFICATION KIT TO ADD POWER DRIVE TO BACKSPACE

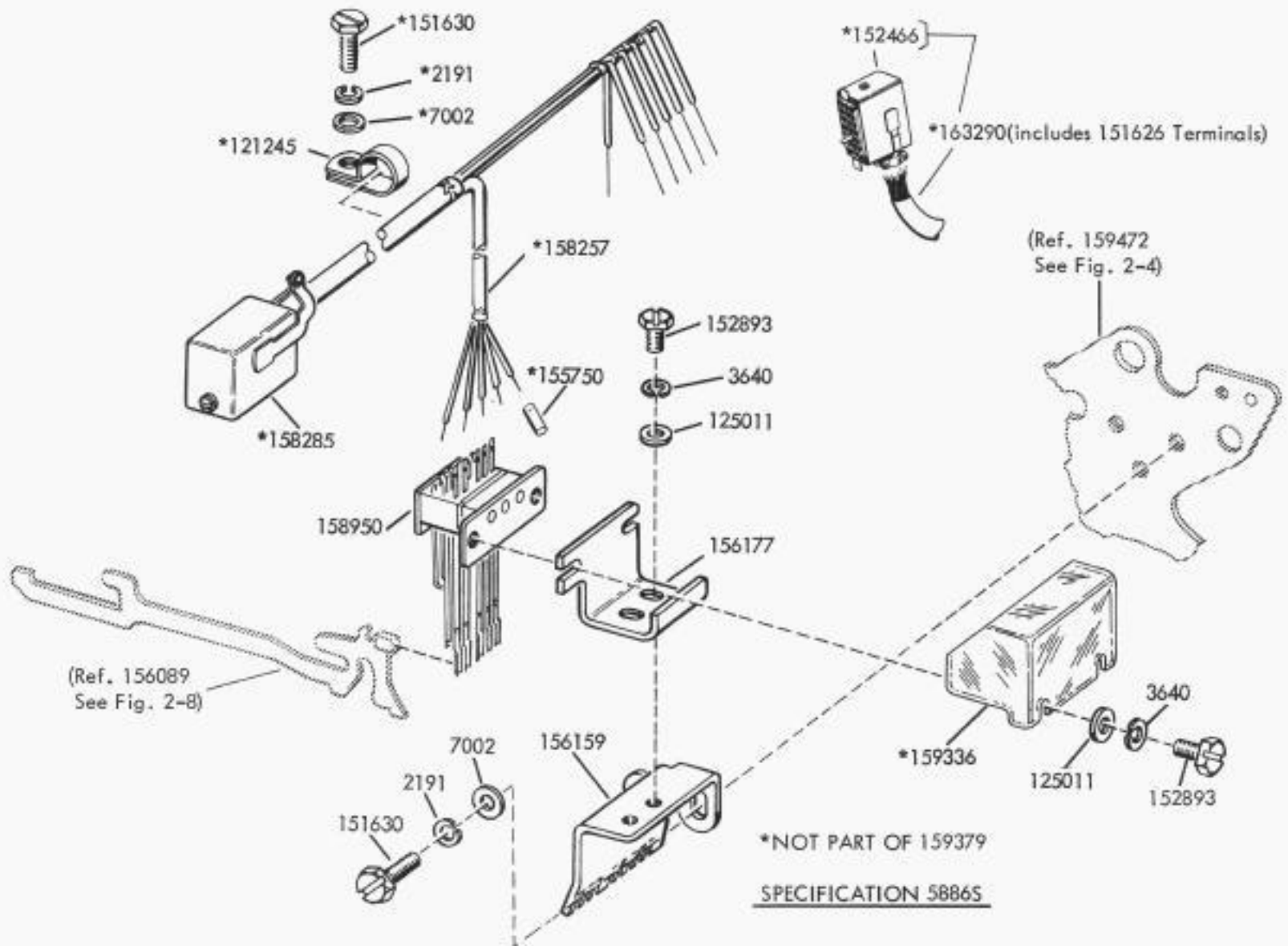


FIGURE 2-23. 159379 MODIFICATION KIT TO ADD "MAKE ONLY" CODE READING CONTACTS

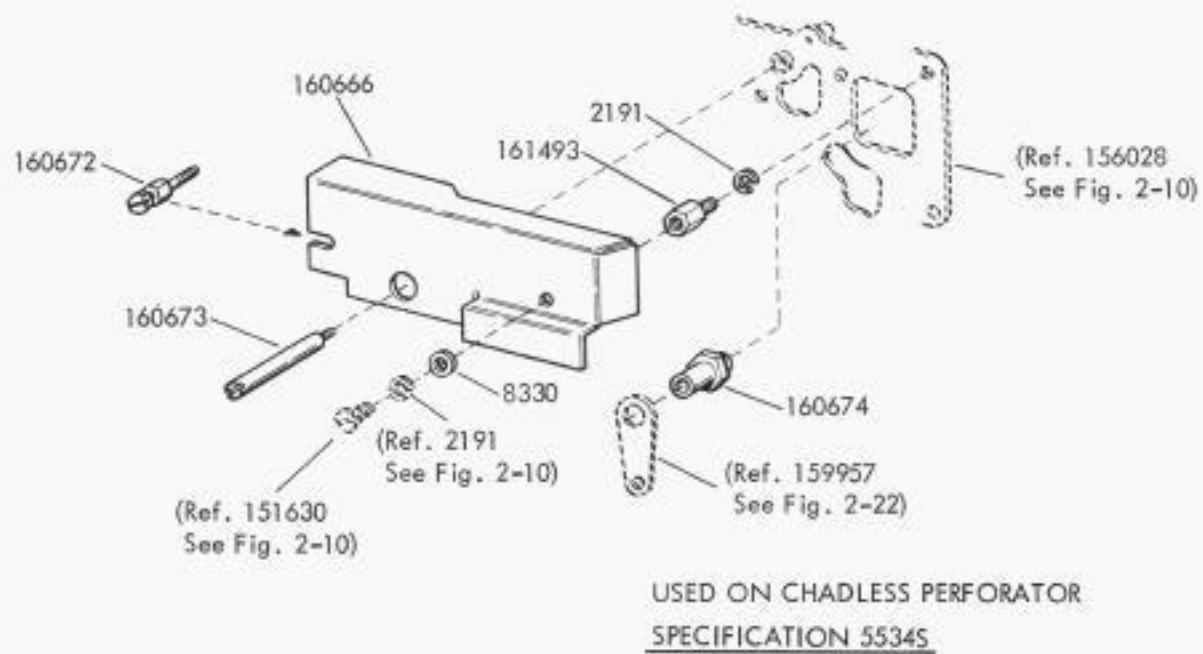


FIGURE 2-24. 160881 MODIFICATION KIT TO ADD GUARD TO COVER BACKSPACE MECHANISM

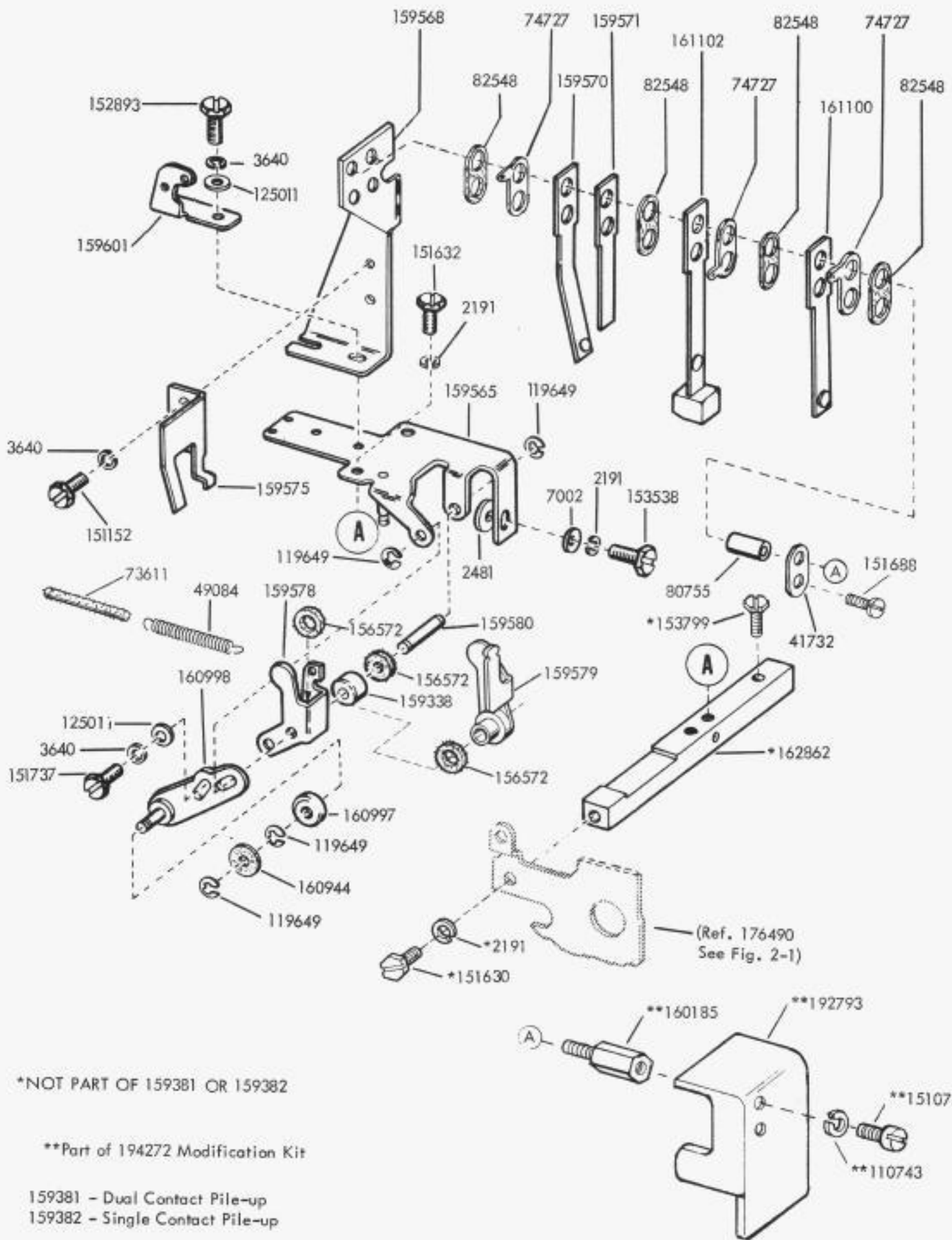


FIGURE 2-25. 159381 AND 159382 MODIFICATION KITS TO ADD AUXILIARY TIMING CONTACTS

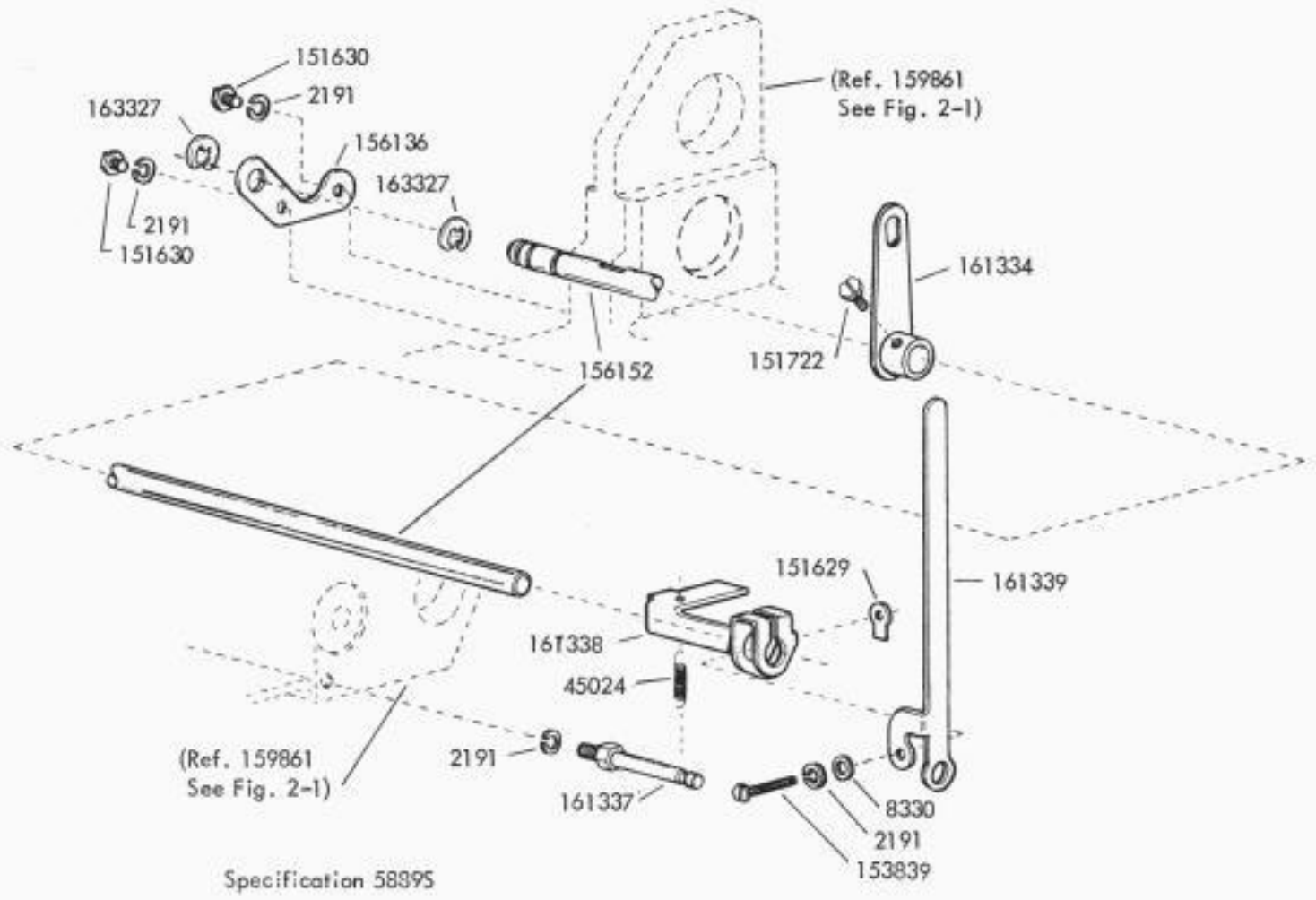


FIGURE 2-26. 161340 MODIFICATION KIT TO ADD MANUAL INTERFERING LETTERS TAPE FEED-OUT

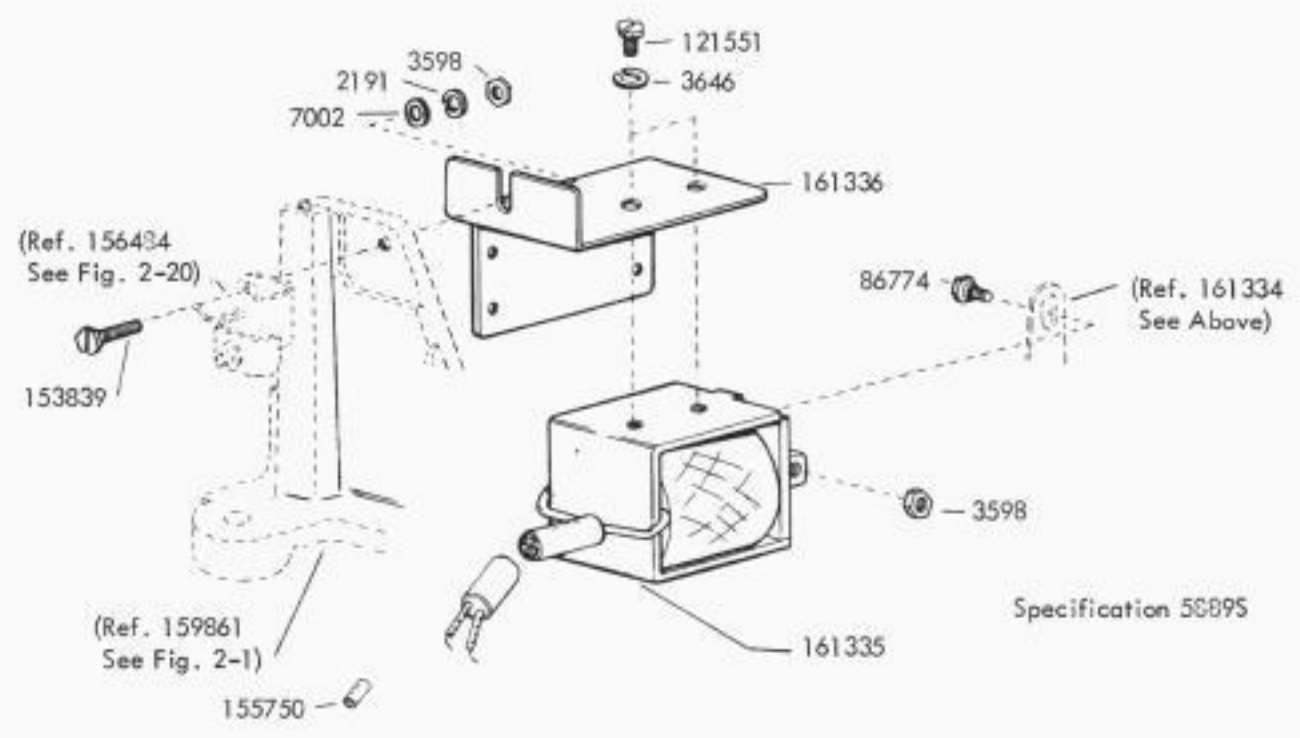
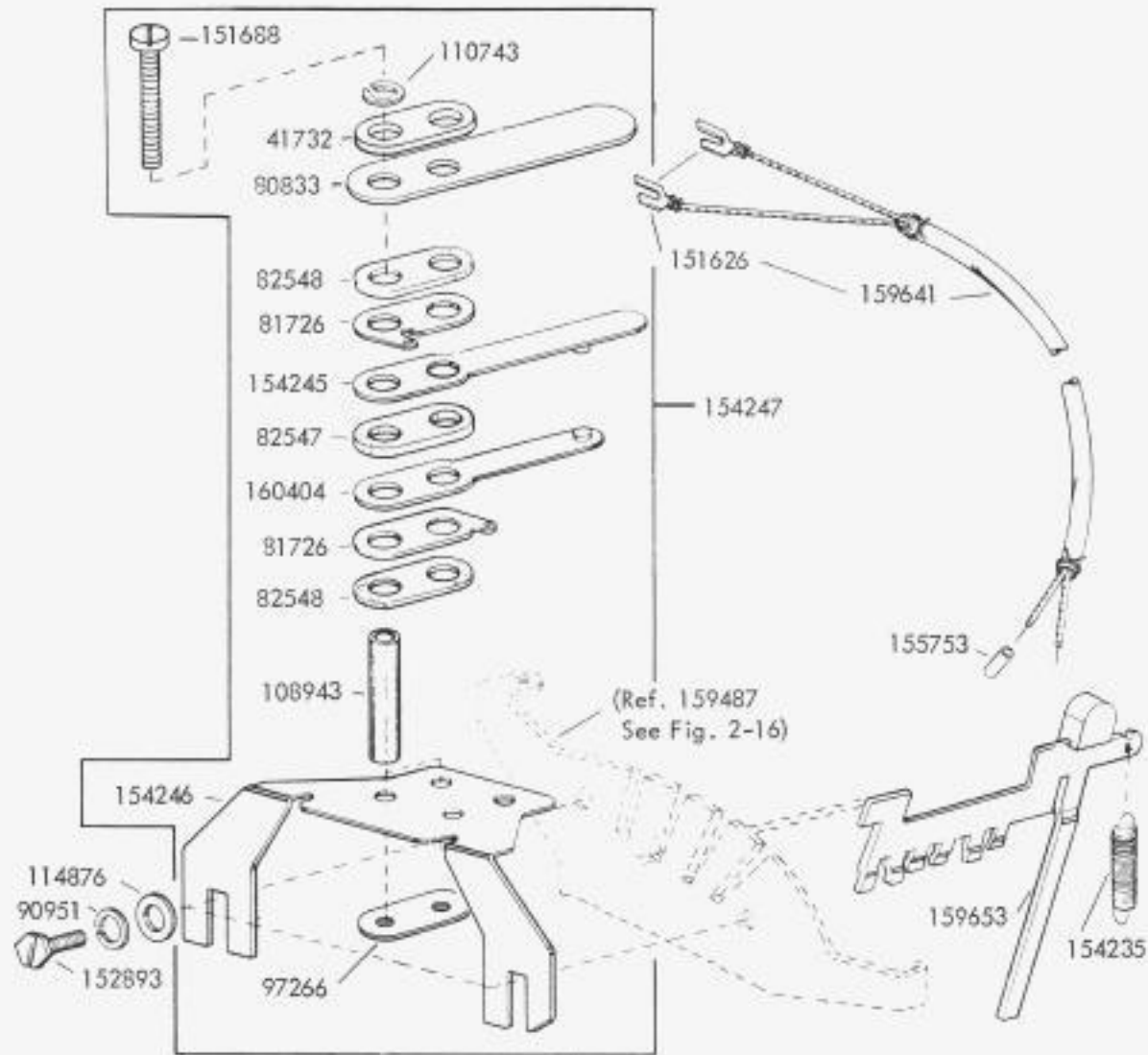


FIGURE 2-27. 161341 MODIFICATION KIT TO ADD SOLENOID OPERATION TO LETTERS FEED-OUT



Specification 58785

FIGURE 2-28. 159360 MODIFICATION KIT TO ADD SIGNAL BELL CONTACT (ON UPPER CASE "S")

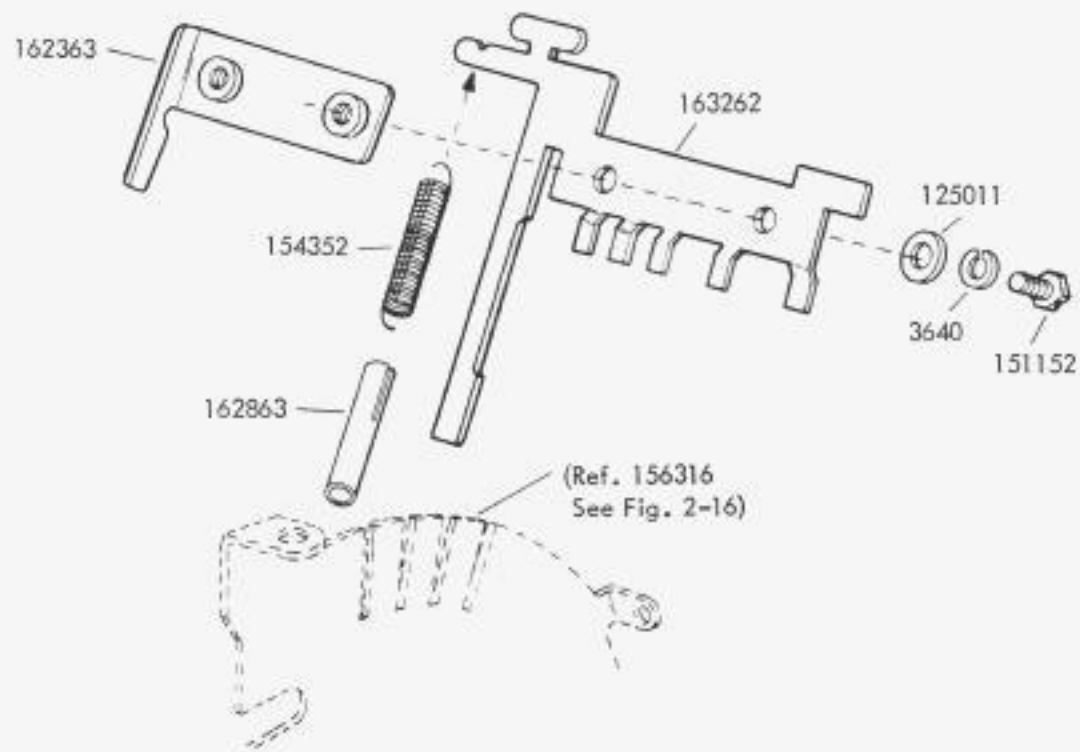
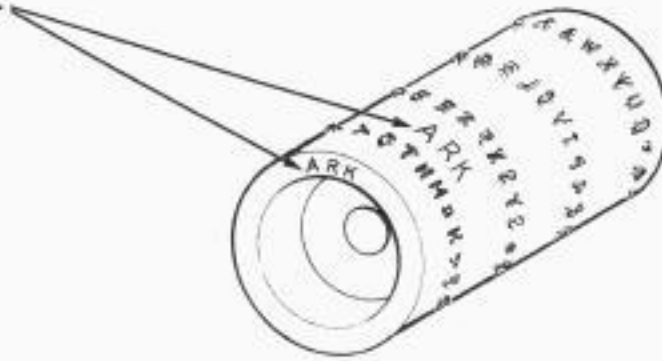


FIGURE 2-29. 162375 MODIFICATION KIT TO ADD "UNSHIFT ON SPACE"

Typewheel Code may be found in either of two locations.



- ① Bell System Arrangement A
- ② Bell System Arrangement B
- ③ Bell System Arrangement C
- ④ Bell System Arrangement D

TYPEWHEEL CHART							
Code	Part Number	Matching Arrangements		Code	Part Number	Matching Arrangements	
		Typebox	Keytop			Typebox	Keytop
Printing on Edge of Tape				Printing Between Feed-Holes			
ABW	175604			BRH	175707		
ACA	175608			BRL	175710		
ACF	175612			BRM ③	175711		
ADC	175632			BRP	175713		
ARA ①	173965	RA	ARK	BWA ①	173759	WY	BRJ
ARC ③	173971	RC	ARL	BWB	173769		
ARE ④	173970	RE	ARE	BRB ②	175701		
ARG	173966	RG	ARG				
ARJ	173968	RJ	ARW				
ARL	163676						
ARK	163675						
ARM	163677		BRT				
ARS	173969	RS	ARM				
ARW	163683	YM	BRU				
ARX	163682						
ARY	163681	YE	BRQ				
ARZ	163679	RZ	ARU				
AWA	173967	WY	BRJ				
AWB	163685						
AWD	163687						
AWE	163688						
AWF	163690						
AWS	175580						
AWU	175582						
AWX	175583						
AWY	175584						
AXW	175519						
AXZ	175521						
AYB	175523						
AYX	175546						
AYZ	175547						
AZG	175554						
AZJ	175556						
AZM	175559						
AZT	175565						
AZW	175568						

FIGURE 2-30. TYPEWHEELS

NUMERICAL INDEX - SECTION 2

Part Number	Description and Page Number	Part Number	Description and Page Number	Part Number	Description and Page Number
224M	Coil, Magnet 2-22	90560	Washer, Flat 2-21	150043	Shoe, Secondary Clutch 2-7,2-8
1036	Nut (6-40 Hex) 2-10	90573	Spring 2-3,2-4	150044	Shoe, Primary Clutch 2-7,2-8
2034	Washer, Flat 2-22	90599	Shim (.008") 2-14	150048	Spring 2-2,2-5
2191	Washer, Lock 2-2 to 2-25	90606	Spring 2-2,2-18	150241	Spring 2-7,2-8
2199	Nut (7/16-32 Hex) 2-13	90615	Spring 2-20	150327	Roller, Ribbon 2-18,2-19
2407	Washer, Lock 2-13	90790	Washer, Flat 2-22	150356	Lever, Trip 2-2,2-5
2481	Washer, Flat 2-24	90951	Washer, Lock 2-16,2-26	150507	Spring 2-18
2669	Washer, Lock 2-3,2-4,2-6	91120	Spring 2-10	150830	Bushing, Shoulder 2-8
3438	Washer, Flat 2-6	92260	Washer, Lock 2-20	150841	Bearing 2-8
3598	Nut (6-40 Hex) 2-2 to 2-5,2-9 to 2-11,2-13 to 2-15,2-18,2-20,2-22, 2-25	93108	Washer, Lock 2-2,2-4	150923	Washer, Felt 2-11
3599	Nut (4-40 Hex) 2-9,2-12,2-14, 2-15,2-17,2-22	93356	Washer, Felt 2-2,2-5,2-10	150966	Insulator 2-6
3603	Nut (1/4-32 Hex) 2-2,2-4	95378	Spring 2-20	150990	Washer, Felt 2-12
3606	Nut (6-40 Hex) 2-9,2-20	97266	Plate, Clamp 2-26	151073	Screw (4-40 x 5/32 Fil) 2-2,2-5, 2-11,2-21,2-24
3640	Washer, Lock 2-3,2-4,2-8,2-12 to 2-14,2-16,2-20,2-22 to 2-24,2-26	97516	Bushing 2-19	151152	Screw (4-40 x 3/16 Hex) 2-2,2-9, 2-10,2-14,2-16,2-17,2-20,2-24,2-26
3646	Washer, Lock 2-25	101123	Washer, Felt 2-14	151222	Washer, Felt 2-11
3650	Washer, Flat 2-22	108943	Bushing 2-26	151246	Washer, Flat 2-3,2-4
3870	Spring 2-20	110434	Screw (4-40 x 3/16 Fil) 2-2,2-5	151335	Stud (6-40) 2-6
5363	Spring 2-10	110437	Spring 2-16	151346	Screw (6-40 x 3/8 Fil) 2-4
6970	Nut (3/8-32 Hex) 2-6	110743	Washer, Lock 2-2,2-5,2-7 to 2-19,2-21,2-22,2-24,2-26	151362	Wick, Felt 2-3,2-4
7002	Washer, Flat 2-2 to 2-6,2-9,2-10, 2-12 to 2-14,2-16,2-17,2-20,2-22 to 2-25	110879	Spring 2-12,2-15,2-20	151398	Spring 2-16
7835	Ribbon (Black) 2-18,2-19	111017	Screw (6-40 x 5/16 Fil) 2-6,2-20	151415	Block, Terminal 2-6
8330	Washer, Flat 2-2,2-3,2-5,2-9,2-11, 2-15,2-18 to 2-20,2-22,2-23,2-25	112626	Nut (10-32 Hex) 2-4,2-13	151416	Nut (6-40 Hex) 2-6,2-10,2-11
22746	Spring 2-13	112634	Spring 2-16	151442	Screw (6-40 x 1/2 Hex) 2-3,2-13, 2-14,2-22
33765	Washer, Flat 2-21	112967	Washer, Flat 2-2,2-4	151620	Strap, Mounting 2-6
41382	Spring 2-10	114876	Washer, Flat 2-16,2-26	151621	Screw (6-32 x 3/4 Rd) 2-6
41543	Bearing, Ball 2-2,2-4	115122	Washer, Felt 2-13	151622	Nut (6-32 Square) 2-6
41732	Plate, Clamp 2-24,2-26	115134	Washer, Felt 2-14	151626	Terminal 2-23,2-26
42823	Washer, Flat 2-7,2-8	119647	Ring, Retaining 2-10	151629	Nut (6-40 Lug) 2-2,2-5,2-11,2-13, 2-25
45024	Spring 2-25	119648	Ring, Retaining 2-9,2-10,2-21, 2-22	151630	Screw (6-40 x 1/4 Hex) 2-2,2-3, 2-10,2-12,2-13,2-15,2-18,2-20, 2-23 to 2-25
47024	Washer, Flat 2-14	119649	Ring, Retaining 2-10,2-13,2-14, 2-16,2-18,2-19, 2-22,2-24	151631	Screw (6-40 x 5/16 Hex) 2-2 to 2-6,2-9,2-10,2-12,2-16,2-17
49084	Spring 2-24	119650	Ring, Retaining 2-11,2-18,2-19, 2-20	151632	Screw (6-40 x 3/8 Hex) 2-2 to 2-4, 2-6 to 2-9,2-17 to 2-19,2-24
55063	Spring 2-9,2-21	119651	Ring, Retaining 2-13,2-15,2-16, 2-19 to 2-22	151633	Bearing, Ball 2-3,2-4
70878	Spring 2-21,2-22	119652	Ring, Retaining 2-2,2-3,2-5, 2-10,2-11	151637	Screw (4-40 x 1/4 Fil) 2-9,2-18
71437	Washer, Flat 2-11	119653	Ring, Retaining 2-13,2-18,2-19	151640	Lever, Shoe Release (one Stop) 2-7
71681	Spool, Ribbon 2-18,2-19	121100	Spring 2-16	151657	Screw (6-40 x 1/4 Fil) 2-3,2-5,2-6
73611	Wick, Felt 2-24	121245	Clamp, Cable (5/16" ID) 2-23	151658	Screw (6-40 x 5/16 Fil) 2-2,2-4
74553	Wick, Felt 2-13	121551	Screw (8-32 x 1/4 Hex) 2-25	151688	Screw (4-40 x 5/8 Fil) 2-24
74727	Terminal 2-24	122149	Screw, Special (4-40) 2-21	151692	Screw (6-40 x 3/16 Fil) 2-20
76081	Washer, Lock 2-5	122207	Strap Assembly, Mounting 2-6	151700	Screw, Shoulder (6-40) 2-15
80531	Washer, Flat 2-19	124177	Washer, Lock 2-3,2-4,2-9,2-20	151712	Button, Pivot 2-6
80755	Bushing 2-24	125011	Washer, Flat 2-2,2-5,2-9,2-10, 2-12,2-14 to 2-16,2-18,2-20, 2-21,2-23,2-24,2-26	151721	Screw (6-40 x 3/4 Hex) 2-22
80833	Guard 2-26	125015	Washer, Flat 2-3,2-10 to 2-12, 2-20,2-22	151722	Screw (6-40 x 3/16 Hex) 2-9,2-19, 2-22,2-25
81726	Terminal, Contact 2-26	125231	Nut (10-32 Hex) 2-3	151724	Screw (10-32 x 5/8 Hex) 2-6
81731	Spring 2-19	125802	Washer, Flat 2-19	151728	Spring 2-7
82392	Shim (.004") 2-3	128357	Ring, Retaining 2-11,2-16	151736	Spring 2-2,2-8
82547	Insulator (.094") 2-26	130330	Washer, Felt 2-14	151737	Screw (4-40 x 11/64 Hex) 2-5,2-7, 2-8,2-19,2-22,2-24
82548	Insulator (.062") 2-24,2-26	130696	Washer, Felt 2-15	151880	Nut (4-40 Hex) 2-17,2-19
84226	Spring 2-19	131016	Washer, Felt 2-14	152415	Stud (4-40) 2-2,2-4
84575	Spring 2-22	135716	Spring 2-2,2-5	152466	Connector, Receptacle (20 Pt) 2-23
85422	Screw (10-32 x 15/16 Hex) 2-6	135901	Washer, Cup 2-13	152634	Washer, Flat 2-11
85823	Spacer 2-19	139697	Screw (4-40 x 9/32 Fil) 2-7	152887	Screw (4-40 x 1/2 Hex) 2-17
86079	Washer, Felt 2-14	139752	Screw (4-40 x 11/64 Fil) 2-2	152893	Screw (4-40 x 1/4 Hex) 2-2 to 2-5,2-9 to 2-11,2-13,2-16,2-22 to 2-24,2-26
86283	Spring 2-18	150013	Disk, Adjusting 2-7	153267	Washer, Felt 2-9
86304	Spring 2-21	150014	Disk, Adjusting 2-8	153538	Screw (6-40 x 7/16 Hex) 2-24
86506	Post, Spring 2-2	150027	Lever, Shoe Release (Multiple Stop) 2-8	153799	Screw (4-40 x 21/64 Hex) 2-24
86714	Spacer 2-19	150029	Wick, Felt 2-7,2-8	153817	Screw (4-40 x 3/8 Hex) 2-21
86774	Screw, Shoulder (6-40) 2-14,2-25	150034	Disk, Clutch (2 Stop) 2-8		
87401	Spring 2-2,2-5	150040	Screw (6-40 x 5/8 Fil) 2-7,2-8		
90052	Screw (4-40 x 5/8 Hex) 2-17				
90361	Washer, Felt 2-11				
90535	Washer, Felt 2-15,2-16				

NUMERICAL INDEX - SECTION 2 (Continued)

Part Number	Description and Page Number	Part Number	Description and Page Number	Part Number	Description and Page Number
153839	Screw (6-40 x 5/8 Hex) 2-2,2-5, 2-11,2-13,2-25	156165	Washer, Felt 2-2,2-5,2-11	156465	Washer, Spring 2-3,2-4
154235	Spring 2-16,2-26	156168	Spring 2-9	156466	Rack, Typewheel 2-13
154242	Screw (6-40 x 5/16 Hex) 2-3,2-4	156169	Washer, Felt 2-11	156467	Ring, Retaining 2-3,2-4
154245	Contact 2-26	156172	Rod 2-9	156472	Post, Spring 2-5
154246	Bracket, Contact Mounting 2-26	156173	Stud (4-40) 2-9	156473	Shaft, Main 2-7,2-8
154247	Contact Assembly 2-26	156177	Bracket, Code Contact 2-23	156476	Hammer, Print 2-13
154325	Modification Kit To Equip Model 28 Typing Reperforator LPR with Adjustable Ribbon Drive Arm 2-18	156184	Bracket 2-10	156478	Accelerator, Hammer 2-13
154335	Screw (6-40 x 9/32 Fil) 2-7,2-8	156221	Lock 2-17	156484	Bracket, Printing Latch Mounting 2-20,2-25
154352	Spring 2-26	156230	Stud (6-40) 2-20	156488	Post, Spring 2-20
154397	Shaft W/Bearing 2-3,2-7,2-8	156235	Post, Guide 2-2,2-5	156489	Bushing, Ribbon Guide 2-13
154398	Bearing, Roller 2-7,2-8	156236	Collar 2-7,2-8	156490	Post, Guide 2-2,2-5
154457	Guide, Tape 2-10	156241	Link, Front 2-13	156492	Bracket, Guide 2-12
154694	Disk 2-7	156242	Link, Rear 2-13	156493	Stud (4-40) 2-14
154698	Wick, Felt 2-10	156243	Roller 2-20	156501	Screw (6-40 x 7/32 Fil) 2-12,2-13
155750	Sleeve, Insulating (3/32 x 1/2 ID) 2-23,2-25	156248	Latch 2-2,2-5	156515	Washer, Felt 2-19
155753	Sleeve, Insulating (1/8 x 1/2 ID) 2-26	156252	Lifter, Function Blade 2-20	156536	Screw (4-40 x 1/8 Fil) 2-16
155995	Screw, Shoulder (6-40) 2-2,2-4	156264	Lever, Detent 2-12,2-15	156572	Washer, Felt 2-24
156008	Wheel, Feed 2-10	156265	Bushing, Shoulder 2-15	156576	Washer, Felt 2-3,2-4
156009	Post (6-40) 2-11	156266	Bushing, Shoulder 2-12,2-15	156577	Roller, Detent Lever 2-10
156012	Spring, Punch, Block 2-9	156267	Lever, Main Trip 2-2,2-5	156588	Ring, Retaining 2-13
156013	Screw, Adjusting (4-40) 2-11	156268	Bracket, Spring 2-16	156632	Screw (6-40 x 13/32 Hex) 2-22
156015	Plate 2-9	156276	Eccentric, Rotary (Right) 2-12	156835	Ring, Retaining 2-13
156016	Link 2-10,2-11	156277	Eccentric, Rotary (Left) 2-12	156869	Guide, Ribbon 2-13,2-14
156017	Shaft, Eccentric 2-11	156278	Eccentric 2-15	156870	Lever, Ribbon Oscillating 2-14
156019	Washer, Felt 2-10	156286	Shaft, Eccentric (Right) 2-12	156871	Bail, Operating Blade Mounting 2-3
156020	Slide 2-9	156287	Shaft, Eccentric (Left) 2-12	156872	Blade, Operating 2-3
156024	Plate, Rear 2-9,2-10,2-11	156288	Shaft, Eccentric 2-15	156874	Screw (4-40 x 15/16 Fil) 2-12,2-15
156028	Plate, Front 2-9,2-10,2-22,2-23	156289	Bearing, Front (Left) 2-12	156875	Screw (6-40 x 5/32 Fil) 2-15
156036	Guide Assembly, Tape 2-10	156290	Bearing, Front (Right) 2-12	156876	Bushing 2-3
156040	Post (6-40) 2-10	156291	Bearing (Rear) 2-12	156877	Washer, Felt 2-3
156042	Post, Spacing 2-10	156292	Housing, Upper Axial 2-15	156884	Arm, Rocker 2-11
156043	Bushing 2-11	156293	Housing, Lower Axial 2-15	156900	Roller, Ribbon Feed Drive 2-3
156044	Stud, Eccentric (6-40) 2-10	156294	Sector, Axial 2-14	156901	Post, Eccentric 2-18
156046	Block, Tape Guide 2-9	156296	Post 2-16	156905	Block, Rack Guide 2-13
156047	Spring, Torsion 2-10	156300	Shaft 2-16	156908	Post, Sector Pivot 2-14
156050	Stud, Eccentric (6-40) 2-10	156306	Rod, Connecting (Right) 2-13	156909	Post, Axial Toggle Link 2-14
156051	Bushing, Eccentric 2-11	156311	Rod, Connecting (Left) 2-13	156922	Arm, Lock Release 2-16
156052	Shoe, Tape 2-10	156313	Rack, Output 2-15	156924	Plate, Drive Link 2-15
156054	Lever, Detent 2-10	156316	Plate, Rear 2-16,2-26	156925	Roller, Drive Link 2-15
156055	Wheel, Die 2-10	156318	Lever, Reset 2-2	156931	Bracket, Hammer Mounting 2-13
156057	Washer, Flat 2-16	156321	Shaft, Oscillating Adjusting 2-14	156937	Link, Printing Drive 2-20
156058	Link (Rear) 2-11	156322	Link, Axial Toggle 2-14	156938	Screw, Eccentric Shoulder (6-40) 2-20
156060	Shaft, Eccentric (6-40) 2-11	156332	Shaft, Typewheel 2-13	156948	Wick, Felt 2-14
156061	Arm, Tape Shoe 2-10	156332	Shaft, Typewheel 2-13	156987	Screw (6-40 Spl) 2-3,2-4
156062	Post, Pivot 2-10	156366	Shaft, Rocker Bail 2-3,2-4	156988	Race (Outer) 2-3
156067	Guide 2-11	156369	Lever, Adjusting 2-14	156989	Roller 2-3,2-4
156069	Plate 2-9	156378	Plate, Axial Correcting 2-15	156990	Race (Inner) 2-3,2-4
156070	Bail Assembly 2-11	156382	Roller, Axial Rack Guide 2-14	156994	Strip, Felt 2-3,2-4
156073	Plate 2-11	156389	Gear, Spur (16 T) 2-13	156995	Post, Spacer 2-3,2-4
156077	Plate 2-11	156390	Washer, Flat 2-13	156998	Retainer, Roller 2-3,2-4
156089	Slide 2-9,2-23	156396	Eccentric 2-20	157252	Bushing 2-19
156090	Screw, Adjusting (6-40) 2-9,2-10	156397	Post (6-40) 2-15	158169	Frame, Perforator 2-4,2-5,2-8
156093	Washer, Felt 2-11	156399	Nut, Shoulder (6-40 Hex) 2-3	158171	Shaft W/Bearing, Jack 2-2,2-4
156094	Link (Front) 2-11	156403	Disc, Bearing 2-3,2-4	158172	Lever, Latch 2-2,2-5
156095	Bushing 2-11	156408	Arm, Clamp 2-13	158177	Collar 2-8
156099	Link (Rear) 2-11	156412	Link, Perforator Drive 2-3,2-4	158180	Sleeve W/Pins, Cam 2-8
156103	Strip, Felt 2-11	156413	Link, Drive 2-20	158182	Disk, Clutch Cam 2-8
156104	Shaft 2-9	156414	Plate, Ribbon Feed Mounting 2-18	158184	Drum, Function Clutch 2-7,2-8
156136	Bracket, Shaft Mounting 2-25	156419	Shaft, Ribbon Ratch (Left) 2-18	158185	Gear, Function Clutch Drive (49 T) 2-8
156152	Shaft, Feed-out Drive 2-25	156421	Shaft, Ribbon Ratchet (Right) 2-18	158186	Screw (4-40 x 7/32 Fil) 2-8
156159	Bracket 2-23	156426	Washer, Ribbon Spring 2-18	158257	Cable Assembly, W/158285 Connector 2-23
156162	Washer, Flat 2-11	156427	Disk, Ribbon Friction 2-18	158285	Connector, Plug (20 Pt) 2-23
156163	Guide 2-9	156428	Washer, Felt 2-18	158745	Plate, Clamp 2-3,2-4
		156433	Pawl, Ribbon Feed 2-18	158772	Screw (4-40 x 5/8 Hex) 2-17
		156436	Arm, Ribbon Reversing (Front) 2-18		
		156437	Arm, Ribbon Reversing (Rear) 2-18		
		156440	Lever, Ribbon Reversing 2-18		
		156442	Pawl, Ribbon Reversing 2-18		
		156462	Bail, Oscillating 2-14		

NUMERICAL INDEX - SECTION 2 (Continued)

Part Number	Description and Page Number	Part Number	Description and Page Number	Part Number	Description and Page Number
158881	Nut (6-40 Hex) 2-2,2-4	159529	Bar, No. 3 Push 2-12	159987	Bracket, Guide 2-21
158925	Slide, Tape Depressor 2-9	159530	Bar, No. 4 Push 2-12	159988	Plate, Adjusting 2-10
158941	Bail, Rocker 2-4	159532	Bar, Figures Push 2-12	159989	Post, Shoe Pivot 2-10
158950	Contact Assembly 2-23	159533	Bar, No. 1 Push 2-15	159990	Bail, Guide 2-10
159011	Bracket, Spring 2-2,2-5	159535	Plate, Front 2-12,2-13,2-15,2-16, 2-18,2-19	159994	Plate, Lifter Arm Lock 2-20
159231	Hub, Gear 2-12			159995	Arm W/Stud, Lifter 2-20
159336	Shield 2-23	159536	Gear, Idler (15 T) 2-13	159997	Screw, Eccentric (6-40) 2-20
159338	Spacer 2-24	159539	Arm, Printing Pivot 2-20	160185	Post (4-40) 2-24
159363	Modification Kit 2-21	159544	Release, Clutch 2-2,2-5	160354	Cam W/Pin, Function 2-7
159365	Modification Kit 2-9	159560	Spring, Punch Slide 2-9	160404	Spring, Contact 2-26
159379	Modification Kit 2-23	159565	Bracket W/Post 2-24	160581	Lever, Upper Reset 2-5
159381	Modification Kit 2-24	159568	Bracket, Contact 2-24	160666	Guard, Backspace 2-23
159382	Modification Kit 2-24	159570	Spring, Contact 2-24	160672	Stud, Mounting 2-23
159404	Post, Mounting 2-15	159571	Stiffener 2-24	160673	Shaft, Feed Wheel 2-23
159411	Bearing Assembly 2-3,2-4	159575	Bracket, Stop 2-24	160674	Nut (6-40 Sp) 2-21,2-23
159413	Plate, Ribbon Reversing 2-18	159578	Bail, Contact Activating (Front) 2-24	160839	Bushing, Shoulder 2-3
159427	Bracket, Stop 2-2,2-5			160843	Spring 2-19
159430	Lever, Slide Trip 2-2,2-5	159579	Bail, Contact Activating (Rear) 2-24	160846	Bushing, Shoulder 2-14
159434	Plate, Lifter Mounting 2-20			160943	Housing, Typewheel Shaft 2-13
159437	Arm, Yield (Figures) 2-16	159580	Shaft, Actuating Bail 2-24	160944	Washer, Felt 2-24
159438	Arm, Yield (Letters) 2-16	159597	Washer, Flat 2-14	160997	Roller, Cam Follower 2-24
159441	Guide, Bellcrank 2-2	159601	Bracket, Spring 2-24	160998	Arm, Cam Follower 2-24
159447	Bellcrank (No. 1 and 4) 2-16	159621	Screw, Shoulder (6-40) 2-9	161100	Spring, Contact 2-24
159448	Bellcrank (No. 2) 2-16	159622	Clamp, Adjusting 2-9	161102	Spring, Contact 2-24
159450	Bellcrank (No. 3 and 5) 2-16	159625	Bracket, Bail Guide 2-3,2-4	161107	Stud (6-40 Hex) 2-10
159459	Spring, No. 5 Pulse Beam 2-17	159626	Extension, Correcting Drive Link 2-20	161108	Stud (6-40 Hex) 2-9
159460	Link, Toggle 2-16			161109	Post, Guide 2-10,2-11
159468	Arm, Lock 2-16	159641	Cable Assembly, Bell Contact 2-26	161139	Nut (6-40 Shoulder) 2-10
159470	Shaft, Lock Arm 2-16	159642	Shim (.008") 2-12	161323	Housing, Gear 2-13
159471	Bellcrank (Letters-Figures) 2-16	159643	Shim (.008") 2-15	161324	Washer, Flat 2-13
159472	Plate, Main 2-2,2-5,2-13,2-16, 2-17,2-23	159653	Blade, Signal Bell Function 2-26	161334	Lever, Stop 2-25
		159654	Latch, Printing 2-20	161335	Solenoid 2-25
159476	Arm Assembly (Figures) 2-16	159656	Block Assembly, Punch 2-9	161336	Bracket, Solenoid Mounting 2-25
159477	Arm Assembly (Letters) 2-16	159658	Screw (6-40 x 1-3/32 Hex) 2-13	161337	Post, Spring 2-25
159481	Arm, Extension (Figures) 2-16	159659	Shaft, Idler Gear Eccentric 2-13	161338	Lever, Trip 2-25
159482	Arm, Extension (Letters) 2-16	159861	Frame, Main 2-2,2-3,2-12,2-15, 2-20,2-25	161339	Lever, Hand 2-25
159483	Bracket, Spring 2-16			161340	Modification Kit To Add Manual Interfering Letters Feed-Out to Model 28 Typing Reperforator 2-25
159487	Plate, Function Box Front (W/Shaft) 2-16,2-26	159881	Bearing 2-9		
		159896	Collar, Cam 2-7	161347	Washer, Felt 2-16
159488	Bracket, Transfer Mounting 2-17	159900	Plate 2-21	161431	Lever, Rotary Correcting 2-13
159489	Plate 2-17	159901	Plate W/Post 2-21	161443	Detent, Axial Shaft 2-15
159490	Plate 2-17	159902	Shaft, Rake 2-21	161444	Detent, Rotary Shaft 2-12
159491	Plate 2-17	159903	Bellcrank 2-21	161493	Post, Supporting 2-23
159492	Plate 2-17	159909	Pawl, Feed 2-21	162092	Bail, Tape Guide 2-10
159493	Plate 2-17	159910	Latch, Return 2-21	162093	Spring, Torsion 2-10
159494	Plate 2-17	159911	Plate 2-21	162340	Sleeve, Oilite 2-7,2-8
159495	Beam, No. 5 Pulse 2-17	159912	Gear, Segment 2-21	162341	Bearing 2-7
159496	Beam, No. 3 Pulse 2-17	159913	Screw, Eccentric (6-40) 2-21	162346	Extension, Adjustable 2-18
159497	Beam, No. 2 Pulse 2-17	159916	Eccentric 2-21	162347	Arm, Ribbon Drive 2-18
159498	Lever, No. 5 Pulse Beam 2-17	159954	Link W/Stud, Adjusting 2-22	162350	Bail, Rocker 2-3,2-20
159499	Lever, Transfer (No. 3, 4 and 5) 2-17	159955	Link W/Post, Drive 2-22	162363	Stripper 2-26
		159956	Post (6-40) 2-22	162364	Bearing 2-8
159500	Beam, No. 4 Pulse 2-17	159957	Link 2-22,2-23	162573	Retainer 2-8
159501	Beam, No. 1 Pulse 2-17	159958	Latch W/Bushing 2-22	162763	Bail, Reset 2-11
159502	Guide, Transfer Lever 2-17	159959	Extension, Latch 2-22	162850	Handle 2-18,2-19
159503	Shaft 2-16	159960	Eccentric 2-22	162862	Bar, Mounting 2-2,2-24
159504	Spacer 2-17	159961	Arm, Eccentric 2-22	162863	Sleeve, Blocking 2-26
159508	Lever, Transfer (No. 1 and 2) 2-17	159962	Ring, Retaining 2-22	163009	Gear, Helical (21 T) 2-4
159512	Link, Printing Trip 2-20	159963	Hub 2-22	163015	Gear, Helical (28 T) 2-2
159515	Blade, Function (Figures) 2-16	159965	Arm W/Post, Adjusting 2-22	163016	Gear, Helical (49 T) 2-7
159516	Blade, Function (Letters) 2-16	159973	Bracket W/Bushing 2-22	163262	Gear, Helical (49 T) 2-26
159519	Bushing, Drive Bail 2-14	159974	Eccentric 2-22	163290	Cable Assembly 2-23
159522	Bushing, Drive Bail 2-14	159975	Bail, Armature 2-22	163291	Modification Kit to Add Non-adjustable Tape Guide 2-10
159523	Bail, Oscillating Drive 2-14,2-15	159976	Armature 2-22		
159525	Bracket, Axial Mounting 2-13, 2-14,2-15	159977	Hinge 2-22	163327	Ring, Retaining 2-25
		159978	Shaft 2-22	163429	Screw, Shoulder (6-40) 2-20
159526	Link, Drive 2-15,2-20	159979	Arm, Non-Repeat 2-22	163675	Typewheel (ARK) 2-27
159528	Bar, No. 5 Push 2-12	159980	Post, Spring 2-22		

NUMERICAL INDEX - SECTION 2 (Continued)

Part Number	Description and Page Number	Part Number	Description and Page Number	Part Number	Description and Page Number
163676	Typewheel (ARL) 2-27	172983	Bracket, Spring 2-11	175583	Typewheel (AWX) 2-27
163677	Typewheel (ARM) 2-27	173200	Sleeve, Bearing 2-7	175584	Typewheel (AWY) 2-27
163679	Typewheel (ARZ) 2-27	173203	Sleeve, Bearing 2-8	175604	Typewheel (ABW) 2-27
163681	Typewheel (ARY) 2-27	173338	Modification Kit to Provide New Style Shaft 2-8	175608	Typewheel (ACA) 2-27
163682	Typewheel (ARX) 2-27			175612	Typewheel (ACF) 2-27
163683	Typewheel (ARW) 2-27	173340	Collar 2-7,2-8	175632	Typewheel (ADC) 2-27
163685	Typewheel (AWB) 2-27	173754	Spacer, Typewheel 2-13	175701	Typewheel (BRB) 2-27
163687	Typewheel (AWD) 2-27	173755	Guide, Ribbon 2-13	175707	Typewheel (BRH) 2-27
163688	Typewheel (AWE) 2-27	173756	Lever, Print Hammer 2-13	175710	Typewheel (BRL) 2-27
163690	Typewheel (AWF) 2-27	173759	Typewheel (BWA) 2-27	175711	Typewheel (BRM) 2-27
164511	Lever W/Hub 2-10	173769	Typewheel (BWB) 2-27	175713	Typewheel (BRP) 2-27
164513	Pawl, Feed 2-11	173775	Shaft, Typewheel 2-13	176138	Modification Kit To Provide a Model 28 Typing Reperforator with a Resilient Print Hammer 2-13
164514	Guide, Tape 2-9	173965	Typewheel (ARA) 2-27		
164515	Spring, Torsion 2-10	173966	Typewheel (ARG) 2-27	176252	Washer, Flat 2-3
164521	Plate W/Studs 2-19	173967	Typewheel (AWA) 2-27	176489	Guide 2-2,2-3
164525	Post, Spring 2-19	173968	Typewheel (ARJ) 2-27	176490	Bracket W/Hubs 2-2,2-5,2-24
164526	Slide W/Post 2-19	173969	Typewheel (ARS) 2-27	176658	Motor - 115 Volt, 60 Cycle, A.C. 2-6
164528	Bushing 2-19	173970	Typewheel (ARE) 2-27	176679	Capacitor (3.3MFD) 2-6
164529	Lever W/Pins, Ribbon Reverse 2-19	173971	Typewheel (ARC) 2-27	176686	Frame, Perforator 2-6
164530	Bushing 2-19	173977	Shaft, Print Hammer 2-13	176687	Bracket, Motor 2-6
164531	Pawl, Check 2-19	173978	Spring 2-13	176688	Plate, Mounting 2-6
164532	Pawl W/Hub, Feed 2-19	173979	Head, Hammer 2-13	176689	Bracket, Mounting 2-6
164535	Shaft Assembly, Ribbon Ratchet (Right) 2-19	173980	Lever, Print Hammer 2-13	176749	Gear, Helical (14 T) 2-6
164538	Shaft Assembly, Ribbon Ratchet (Left) 2-19	173981	Accelerator W/Stud, Hammer 2-13	176823	Bushing 2-6
164539	Spring, Ratchet 2-19	175519	Typewheel (AXW) 2-27	178178	Lever, Adjustable Extension 2-19
164540	Detent 2-19	175521	Typewheel (AXZ) 2-27	179573	Nut (6-40 Hex) 2-11
164541	Arm, Ribbon Drive 2-19	175523	Typewheel (AYB) 2-27	179579	Decalcomania, Arrow 2-19
164543	Lever, Adjustable Extension 2-19	175546	Typewheel (AYX) 2-27	192661	Post (6-40) 2-3,2-4
164964	Washer, Felt 2-19	175547	Typewheel (AYZ) 2-27	192709	Link W/Hub 2-3,2-4
164965	Washer, Flat 2-19	175554	Typewheel (AZG) 2-27	192793	Guard 2-24
170778	Block, Punch Assembly 2-9	175556	Typewheel (AZJ) 2-27	192849	Bar, No. 2 Axial Push 2-15
172638	Screw (6-40 x 9/32 Hex) 2-9	175559	Typewheel (AZM) 2-27	194272	Modification Kit To Provide Oil Guard for the Auxiliary Contacts 2-24
172640	Modification Kit To Add Manual Backspace to Units Containing the Model 28 Fully Perforated Tape Punch 2-21	175565	Typewheel (AZT) 2-27		
		175568	Typewheel (AZW) 2-27		
		175580	Typewheel (AWS) 2-27		
		175582	Typewheel (AWV) 2-27		

SECTION 3
MOTOR UNIT (LMU)

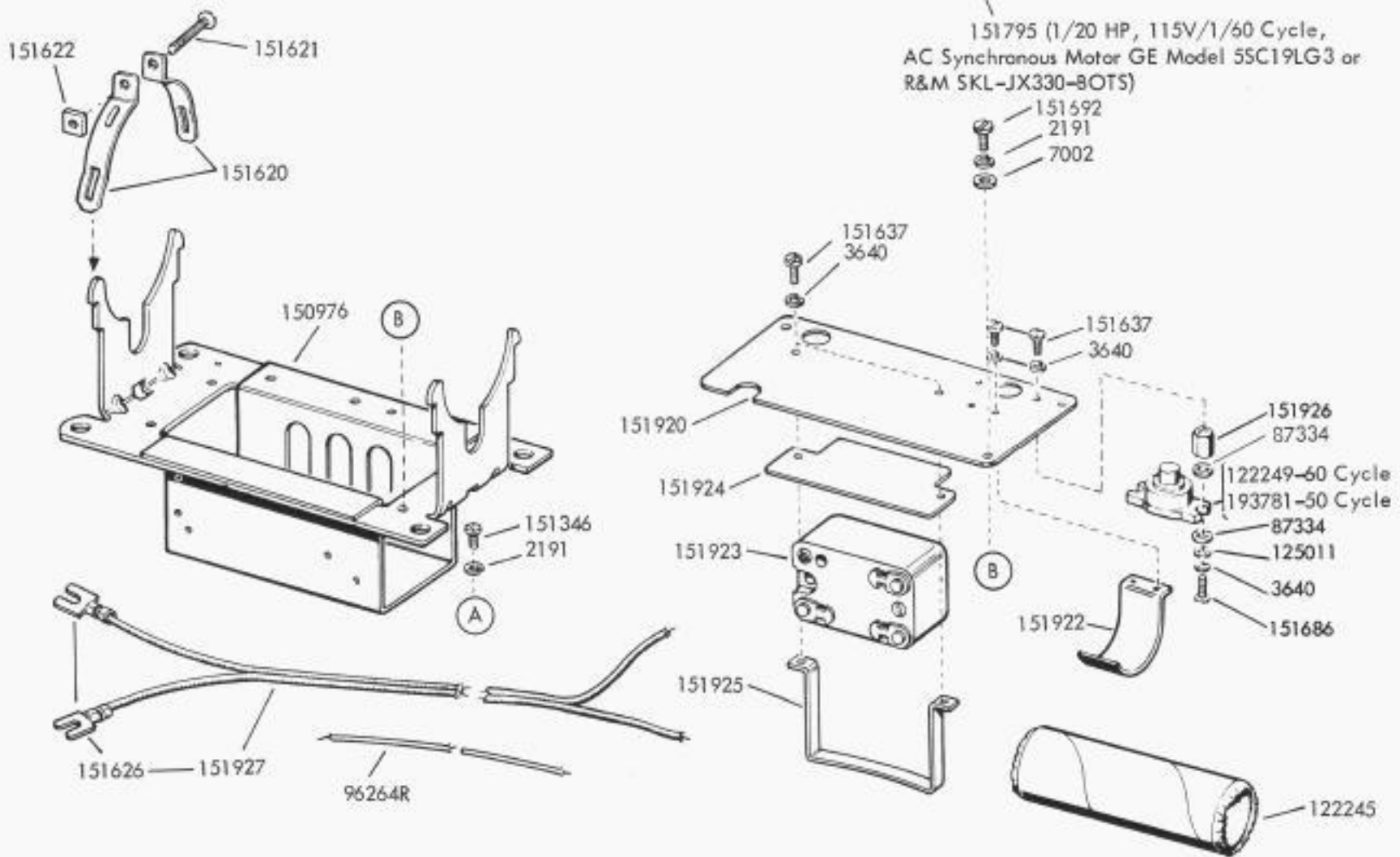
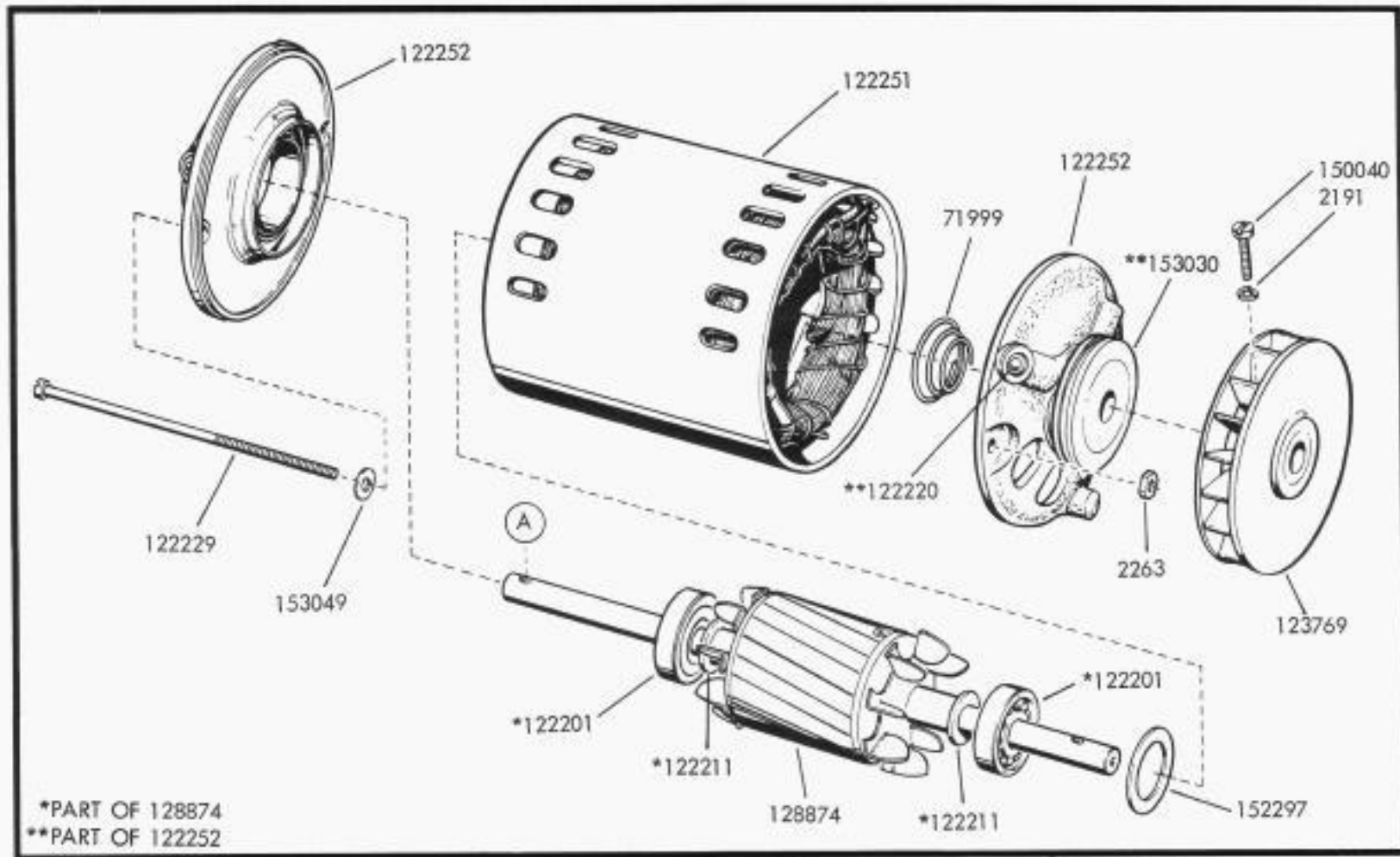
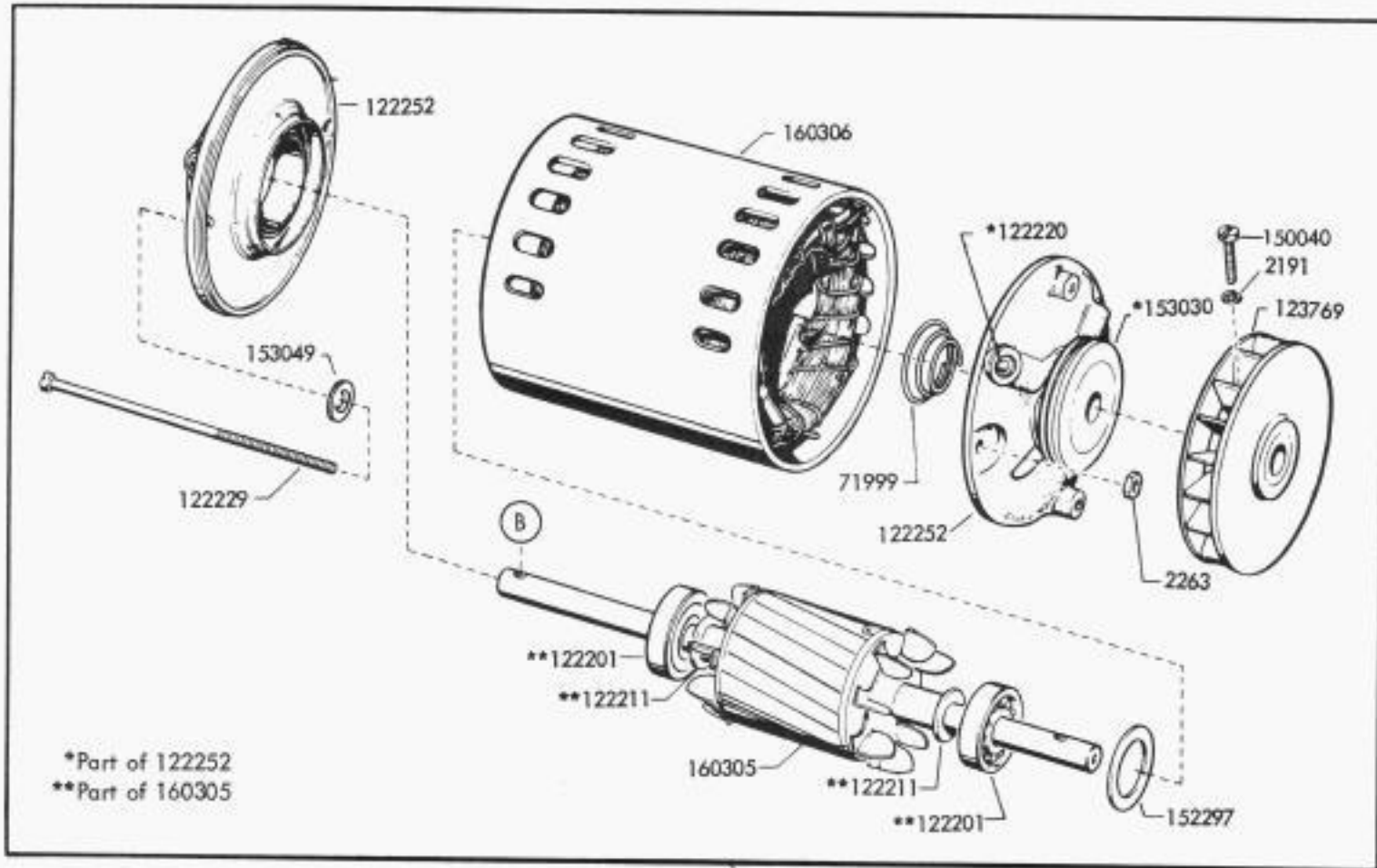


FIGURE 3-1. SYNCHRONOUS MOTOR UNIT (LMU3, 60 CYCLE) (LMU38, 50 CYCLE)



159739 (1/12 HP, 115V/1/60 Cycle
AC Synchronous Motor GE Model 55C19LG10)

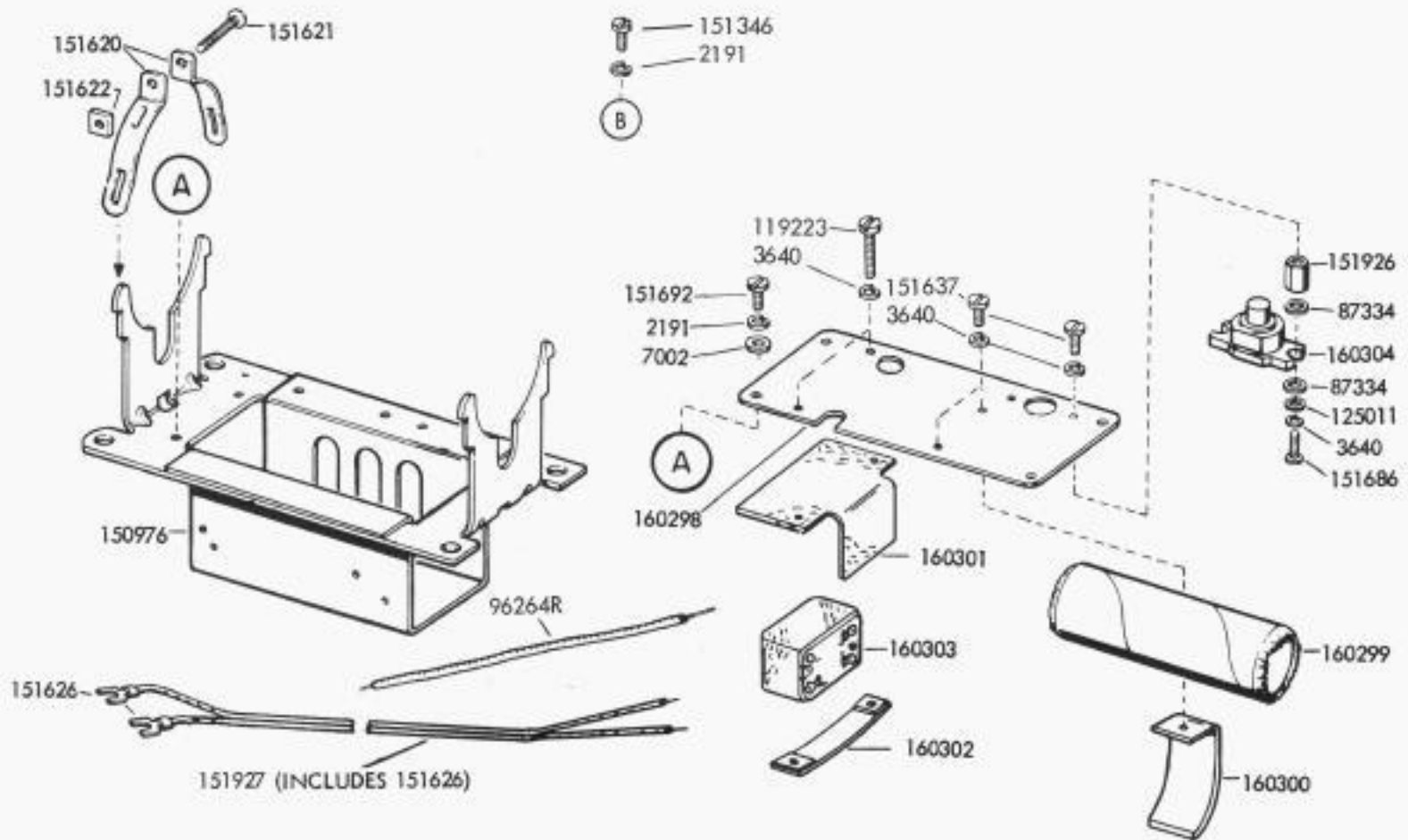


FIGURE 3-2. SYNCHRONOUS MOTOR UNIT (LMU12)

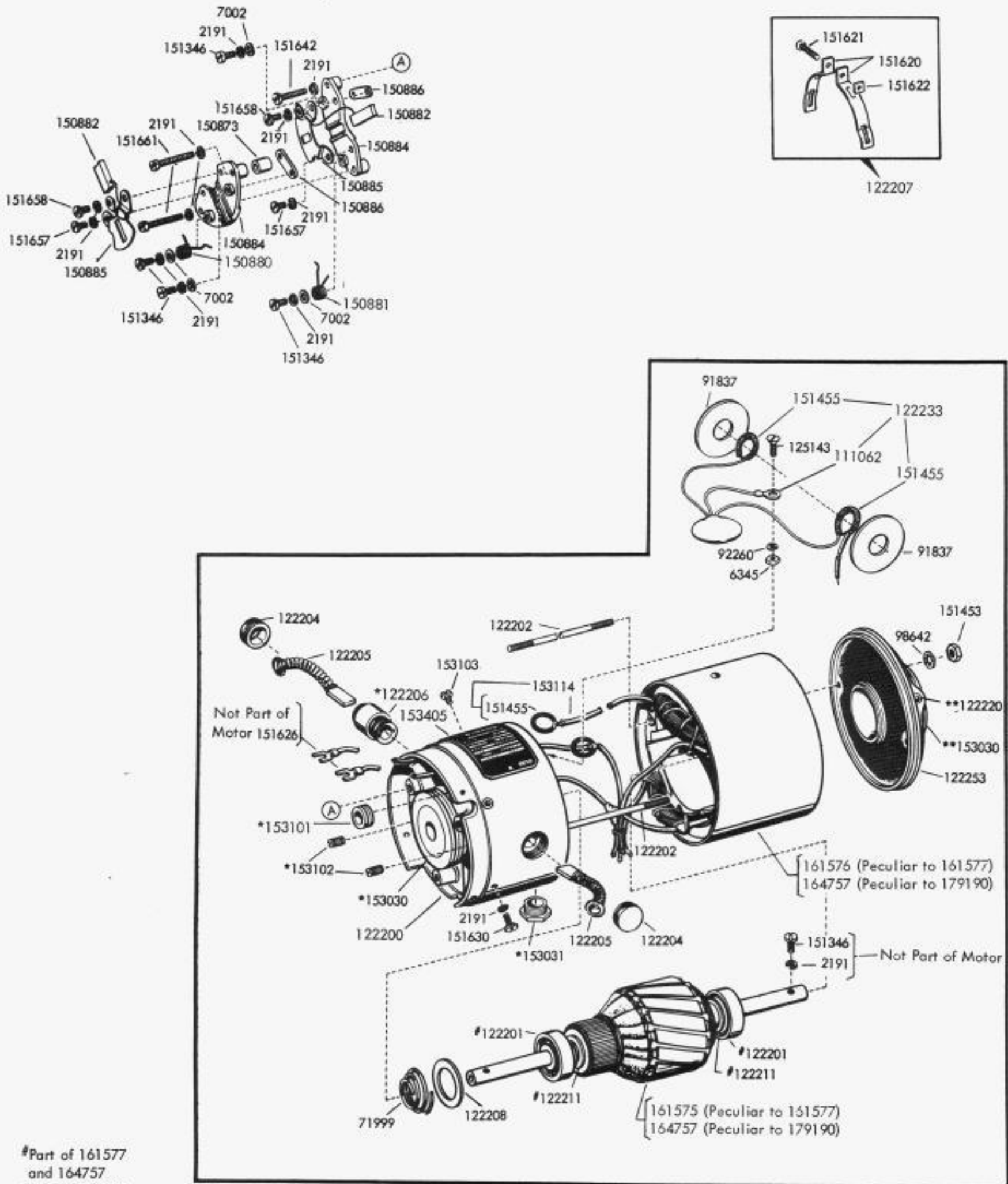


FIGURE 3-3. SERIES MOTOR (LMU14, LMU29 AND LMU39)

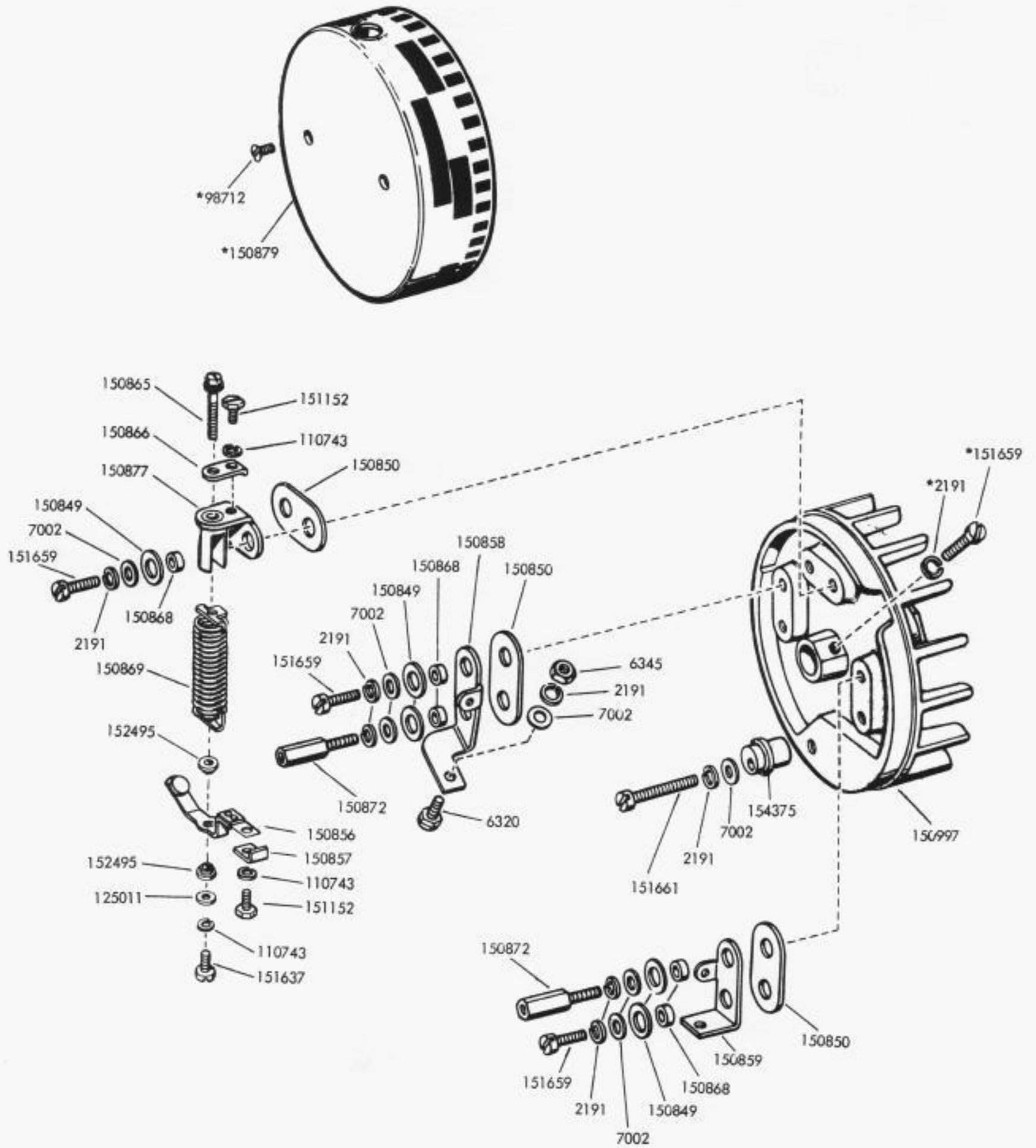


FIGURE 3-4. 150845 GOVERNOR ASSEMBLY (LMU14, LMU29 AND LMU39)

*Not Part of 150845

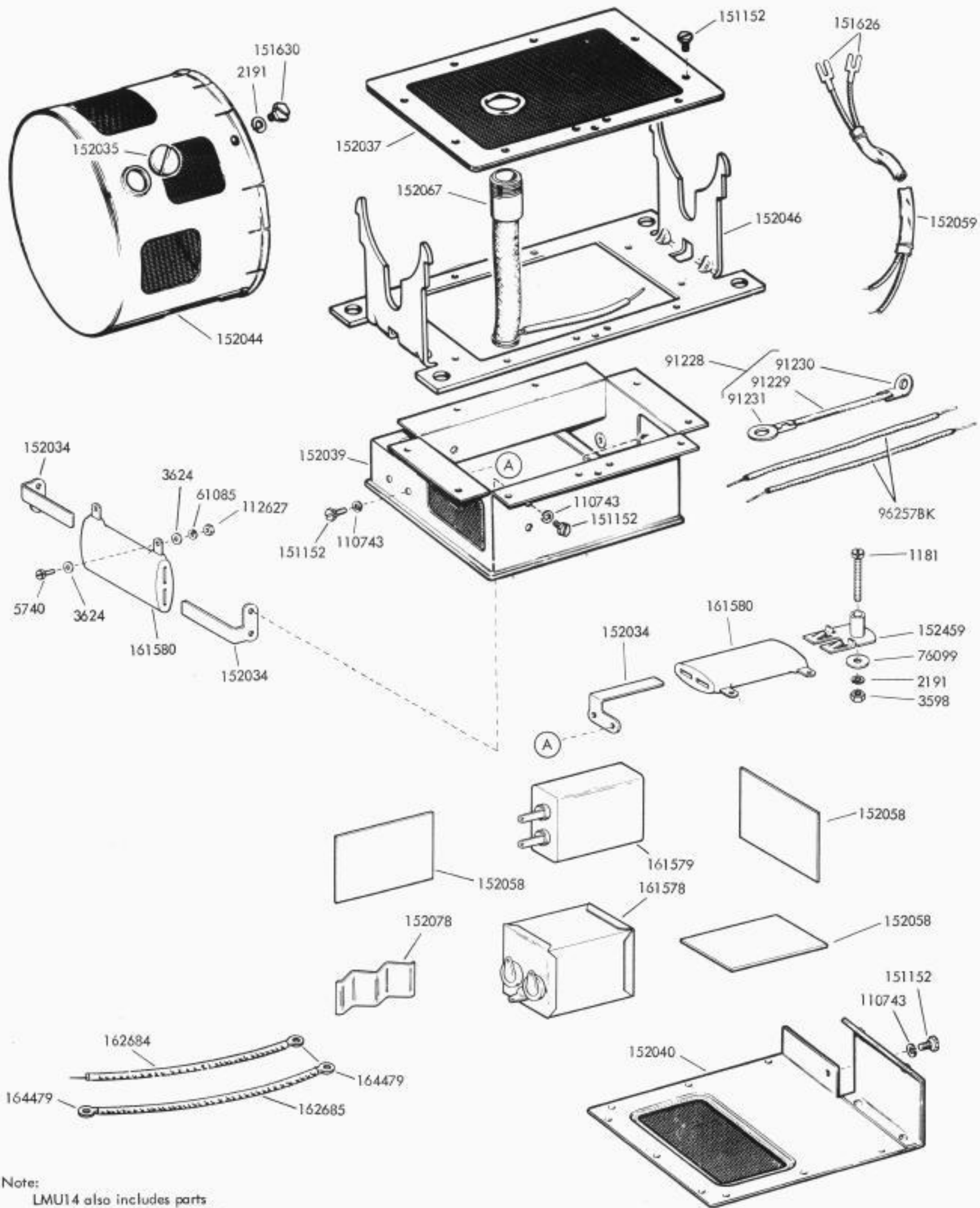
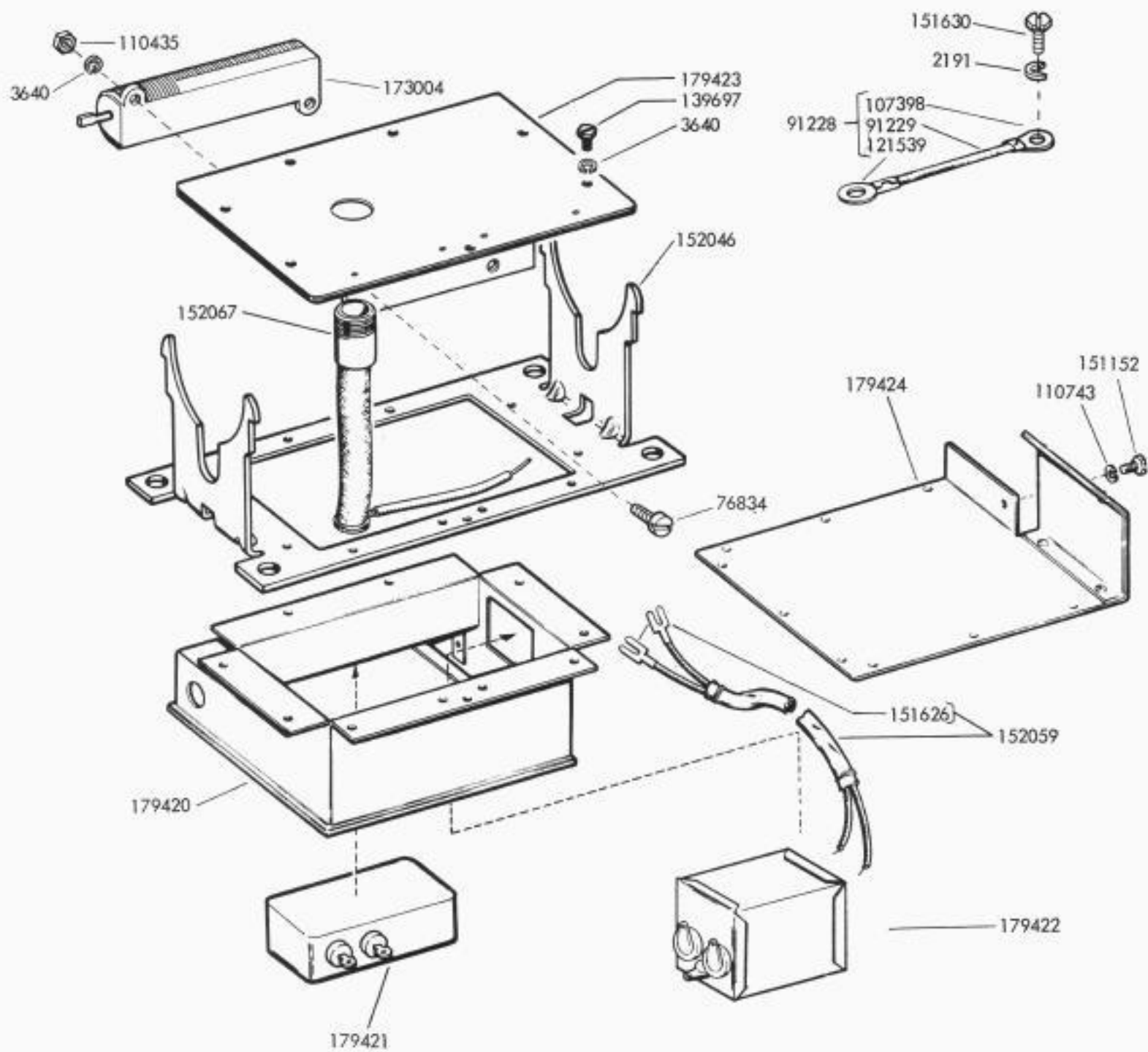
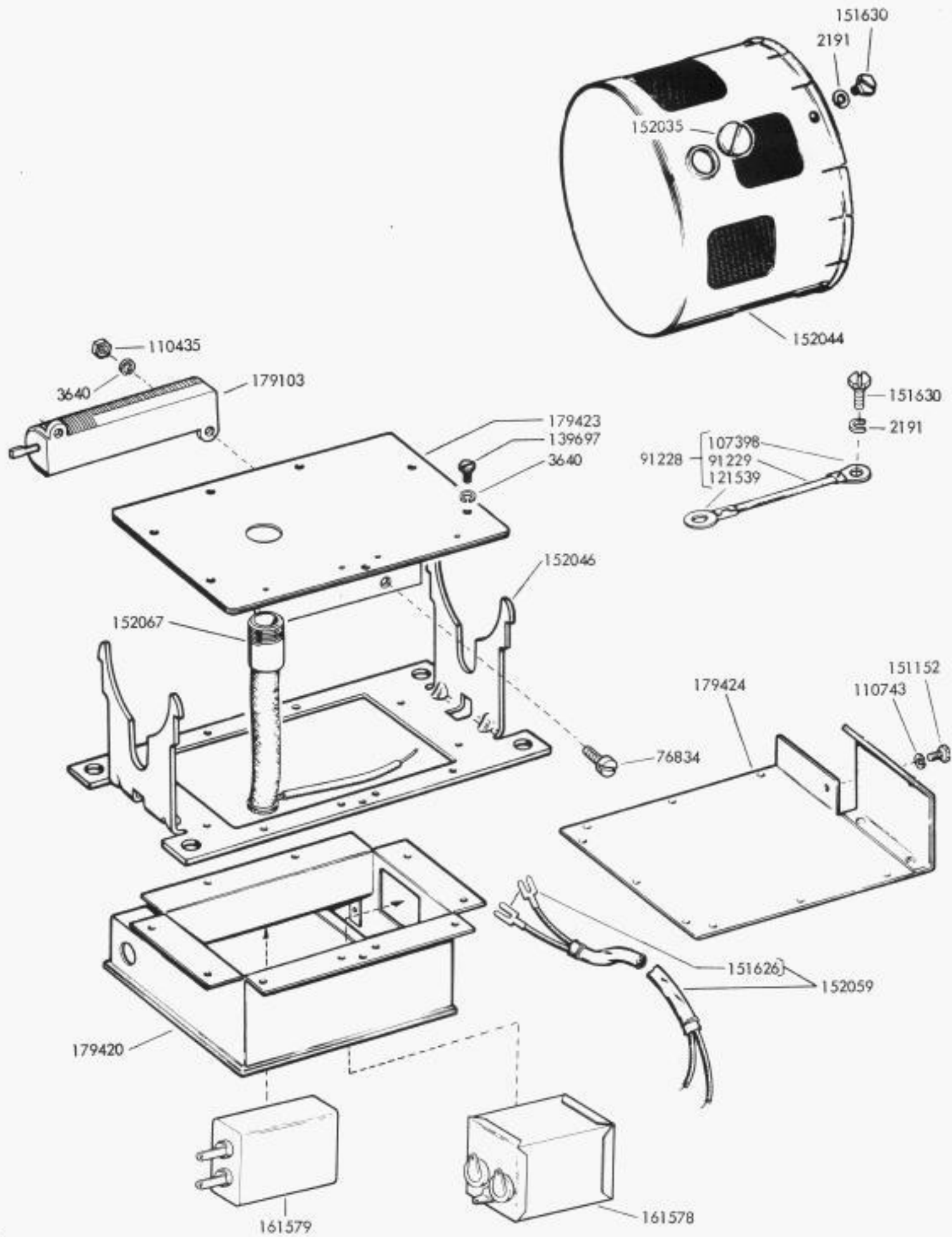


FIGURE 3-5. SERIES MOTOR UNIT MOUNTING PARTS (LMU14, 110V, AC)



Note:
LMU29 also includes parts
found on Figures 3-3 and 3-4.

FIGURE 3-6. SERIES MOTOR UNIT MOUNTING PARTS (LMU29, 48V DC)



Note:
LMU39 also includes parts
found on Figures 3-3 and 3-4.

FIGURE 3-7. SERIES MOTOR UNIT MOUNTING PARTS (LMU39, 110V, AC)

NUMERICAL INDEX - SECTION 3

Part Number	Description and Page Number	Part Number	Description and Page Number	Part Number	Description and Page Number
1181	Screw (6-40 x 11/16 Fil) 3-6	125143	Screw (6-32 x 3/8 Flat) 3-4	151924	Insulator, Relay 3-2
2191	Washer, Lock 3-2 to 3-8	128874	Rotor, Motor 3-2	151925	Clamp, Relay 3-2
2263	Nut (8-32 Hex) 3-2,3-3	139697	Screw (4-40 x 9/32 Fil) 3-7,3-8	151926	Nut (4-40 Hex) 3-2
3598	Nut (6-40 Hex) 3-6	150040	Screw (6-40 x 5/8 Fil) 3-2,3-3	151927	Cable, Motor Unit 3-2,3-3
3624	Washer, Flat 3-6	150845	Governor Assembly 3-5	152034	Bracket, Resistor Mounting 3-6
3640	Washer, Lock 3-2,3-3,3-7,3-8	150849	Washer, Insulating 3-5	152035	Plug 3-6,3-8
5740	Screw (2-56 x 1/4 Fil) 3-6	150850	Plate, Insulating 3-5	152037	Cover, Container 3-6
6320	Screw, Contact (6-32) 3-5	150856	Arm, Movable Contact 3-5	152039	Container 3-6
6345	Nut (6-32 Hex) 3-4,3-5	150857	Clamp, Contact Arm 3-5	152040	Lid, Container 3-6
7002	Washer, Flat 3-2 to 3-5	150858	Bracket, Contact 3-5	152044	Cover, Governor 3-6,3-8
61085	Washer, Lock 3-6	150859	Bracket, Contact Arm Mounting 3-5	152046	Bracket, Motor Mounting 3-6 to 3-8
71999	Spring, Motor Thrust 3-2 to 3-4			152058	Separator 3-6
76099	Washer, Flat 3-6	150865	Screw, Clamping (4-40 x 1") 3-5	152059	Cable Assembly 3-6 to 3-8
76834	Screw (4-40 x 3/8 Flat) 3-7,3-8	150866	Clamp, Adjusting 3-5	152067	Nipple 3-6 to 3-8
87334	Washer, Insulating 3-2,3-3	150868	Bushing, Insulating 3-5	152078	Spring, Separator 3-6
91228	Strap (2-1/2") 3-6 to 3-8	150869	Spring Assembly 3-5	152297	Washer, Bearing 3-2,3-3
91229	Wire (2") 3-6 to 3-8	150872	Stud, Cover Mounting 3-5	152495	Bushing 3-5,3-6
91230	Terminal 3-6	150873	Collar, Spacing 3-4	153030	Mount, Vibration 3-2 to 3-4
91231	Terminal, Wire 3-6	150877	Bracket, Guide 3-5	153031	Bushing, Lead 3-4
91837	Washer, Fibre 3-4	150879	Cover, Governor 3-5	153049	Washer, Fiber 3-2,3-3
92260	Washer, Lock 3-4	150880	Spring, Brush 3-4	153101	Grommet, Rubber 3-4
96257BK	Wire (2-3/4" Black) 3-6	150881	Spring, Brush 3-4	153102	Screw, Set (8-32) 3-4
96264R	Wire (5" Red) 3-2,3-3	150882	Brush Assembly 3-4	153103	Screw, Self-Tapping (4-40) 3-4
98642	Washer, Lock 3-4			153114	Wire Assembly 3-4
98712	Screw (4-40 x 1/4 Flat) 3-5	150884	Mounting, Brush 3-4	153405	Plate, Identification 3-4
107398	Terminal 3-7,3-8	150885	Plate, Brush 3-4	154375	Backstop Assembly 3-5
110435	Nut (4-40 Hex) 3-7,3-8	150886	Plate, Clamp 3-4	159739	Motor, Synchronous (115 Volt) 3-3
110743	Washer, Lock 3-5 to 3-8	150976	Bracket Assembly, Motor 3-2,3-3	160298	Plate, Mounting 3-3
111062	Terminal 3-4	150997	Fan Assembly 3-5	160299	Capacitor (170 - 226 MFD) 3-3
112627	Nut (2-56 Hex) 3-6	151152	Screw (4-40 x 3/16 Hex) 3-5 to 3-8	160300	Clamp 3-3
119223	Screw (4-40 x 1-15/32 Fil) 3-3	151346	Screw (6-40 x 3/8 Fil) 3-2 to 3-4	160301	Plate, Insulating 3-3
121539	Terminal 3-7,3-8	151453	Nut (10-32 Hex) 3-4	160302	Plate, Nut 3-3
122200	Shield Assembly, End 3-4	151455	Spring, Helical Clip 3-4	160303	Relay 3-3
122201	Bearing, Ball 3-2 to 3-4	151620	Strap, Mounting 3-2 to 3-4	160304	Switch, Thermostatic 3-3
122202	Stud (10-32) 3-4	151621	Screw (6-32 x 3/4 Rd) 3-2 to 3-4	160305	Rotor, Motor 3-3
122204	Cap, Brush 3-4	151622	Nut (6-32 Square) 3-2 to 3-4	161576	Stator 3-4
122205	Brush W/Spring 3-4	151626	Terminal 3-2 to 3-4,3-6 to 3-8	161577	Motor, Series (115 Volt) 3-4
122206	Holder, Brush 3-4	151630	Screw (6-40 x 1/4 Hex) 3-4,3-6 to 3-8	161578	Suppressor, Electrical Noise 3-6,3-8
122207	Strap Assembly, Mounting 3-4	151637	Screw (4-40 x 1/4 Fil) 3-2,3-3, 3-5	161579	Capacitor (1/2 MFD) 3-6,3-8
122208	Washer, Flat 3-4			161580	Resistor (500 Ohm) 3-6
122211	Washer, Pull 3-2 to 3-4	151642	Screw (6-40 x 3/4 Fil) 3-4	162684	Wire (2-3/4" White) 3-6
122220	Oiler, Ball 3-2 to 3-4	151657	Screw (6-40 x 1/4 Fil) 3-4	162685	Wire (4" White) 3-6
122229	Bolt (8-32 x 4-11/16) 3-2,3-3	151658	Screw (6-40 x 5/16 Fil) 3-4	164479	Terminal 3-6
122233	Capacitor Assembly 3-4	151659	Screw (6-40 x 1/2 Fil) 3-5	164757	Armature Assembly, Motor 3-4
122245	Capacitor (43 to 48 MFD) 3-2	151661	Screw (6-40 x 1 Fil) 3-4,3-5	172938	Insulator 3-6
122249	Switch, Thermostatic 3-2	151686	Screw (4-40 x 3/8 Fil) 3-2,3-3	173004	Resistor (100 Ohm) 3-7
122251	Stator, Motor 3-2	151692	Screw (6-40 x 3/16 Fil) 3-2,3-3	179103	Resistor (250 Ohm) 3-8
122252	Shield Assembly, End 3-2,3-3	151795	Motor, A.C. Synchronous (115 Volt) 3-2	179190	Motor, Series (115 Volt) 3-4
122253	Shield Assembly, End 3-4			179420	Container 3-7,3-8
123769	Fan 3-2,3-3	151920	Plate, Relay 3-2	179421	Capacitor (1 MFD) 3-7
125011	Washer, Flat 3-2,3-3,3-5	151922	Clamp, Capacitor 3-2	179422	Suppressor, Electrical Noise 3-7
		151923	Relay 3-2	179423	Plate W/Bracket 3-7,3-8
				179424	Lid W/Insulator 3-7,3-8

SECTION 4

TRANSMITTER DISTRIBUTOR BASE (LCXB)

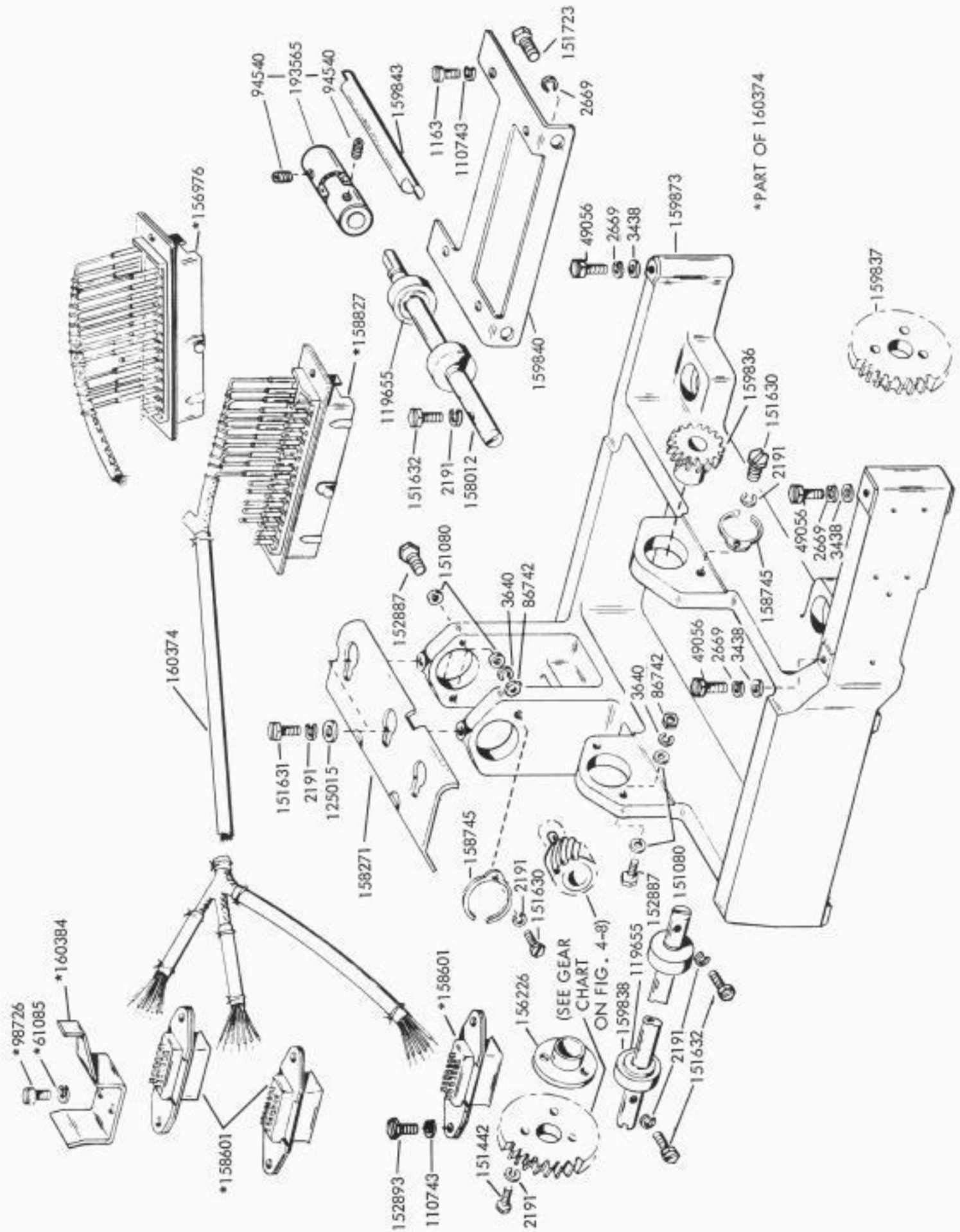
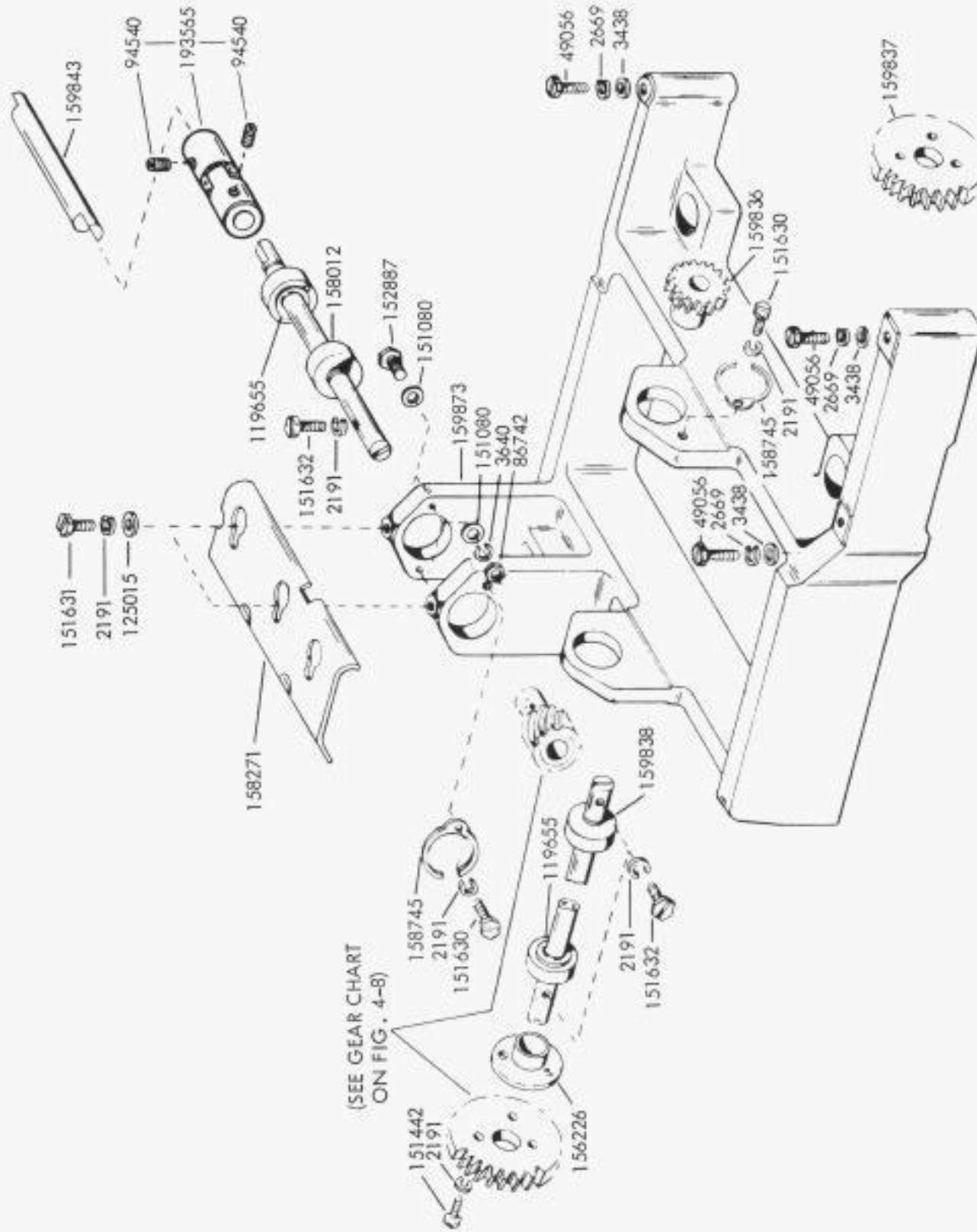


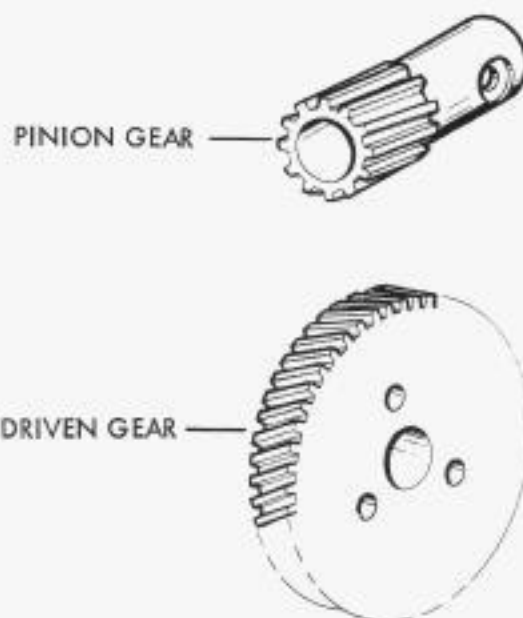
FIGURE 4-4. TRANSMITTER DISTRIBUTOR BASE

USED WITH LBXD TYPE TRANSMITTER DISTRIBUTOR



USED WITH LBXD TYPE TRANSMITTER DISTRIBUTOR

FIGURE 4-5. TRANSMITTER DISTRIBUTOR BASE



SINGLE TRANSMITTER-DISTRIBUTOR BASE GEAR SETS					
GEAR SET	DRIVEN GEAR	PINION	WPM	UNIT CODE	BAUD
159882	155997 (60T)	155996 (13T)	65	7.00	45.5
173776	173819 (60T)	173818 (13T)	65	7.00	45.5
161357	161332 (42T)	161333 (10T)	71	7.00	50
163499	163498 (63T)	163497 (15T)	71	7.00	50
198056	198058 (70T)	198057 (19T)	81	7.00	56.9
159883	159999 (34T)	155998 (12T)	106	7.00	74.2
163454	163453 (56T)	163452 (20T)	107	7.00	75
158029	158006 (44T)	158005 (9T)	60	7.42	45.5
161356	161330 (49T)	161331 (11T)	67	7.42	50
158028	158004 (47T)	158003 (12T)	75	7.42	56.8
158027	158001 (33T)	158002 (11T)	100	7.42-11.0	74.2-110
178775	178777 (56T)	178776 (17T)	61	7.50	45.5
178772	178774 (60T)	178773 (20T)	66	7.50	50
178769	178771 (46T)	178770 (23T)	100	7.50	75

DUAL TRANSMITTER-DISTRIBUTOR BASE GEAR SETS					
GEAR SET	DRIVEN GEAR	PINION	WPM	UNIT CODE	BAUD
	199091 (56T)	199090 (20T)	107	7.00	75
	170190 (51T)	170189 (15T)	88	8.50	75
195146	195145 (49T)	195144 (11T)	67	7.42	50
	170297 (33T)	170293 (11T)	100	7.42-11.0	74.2-110

FIGURE 4-8. GEAR SETS

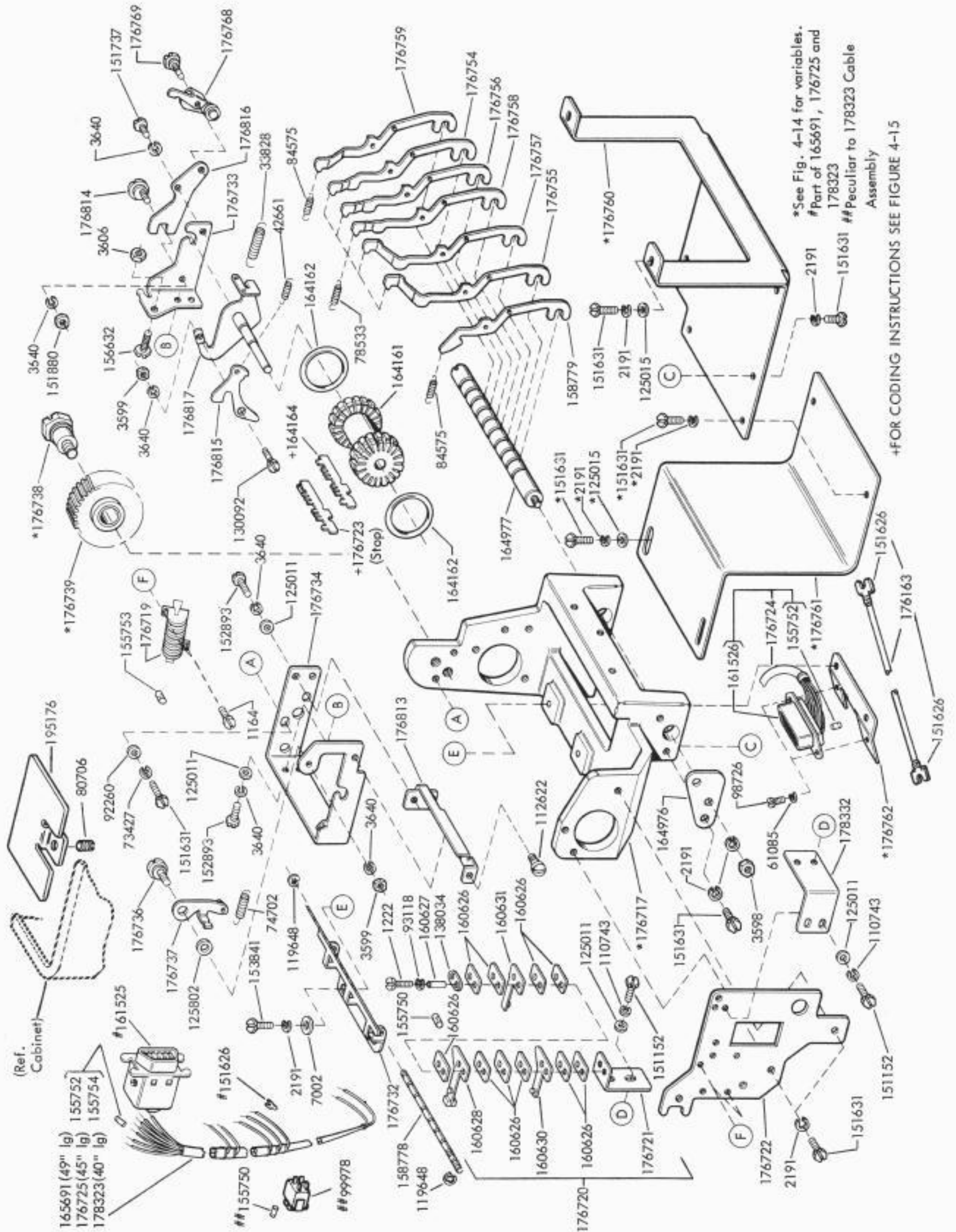


FIGURE 4-10. 178316 MODIFICATION KIT TO PROVIDE ANSWER BACK FEATURE FOR THE TRANSMITTER DISTRIBUTOR BASE (INCLUDES FIGURES 4-11 THROUGH 4-14)

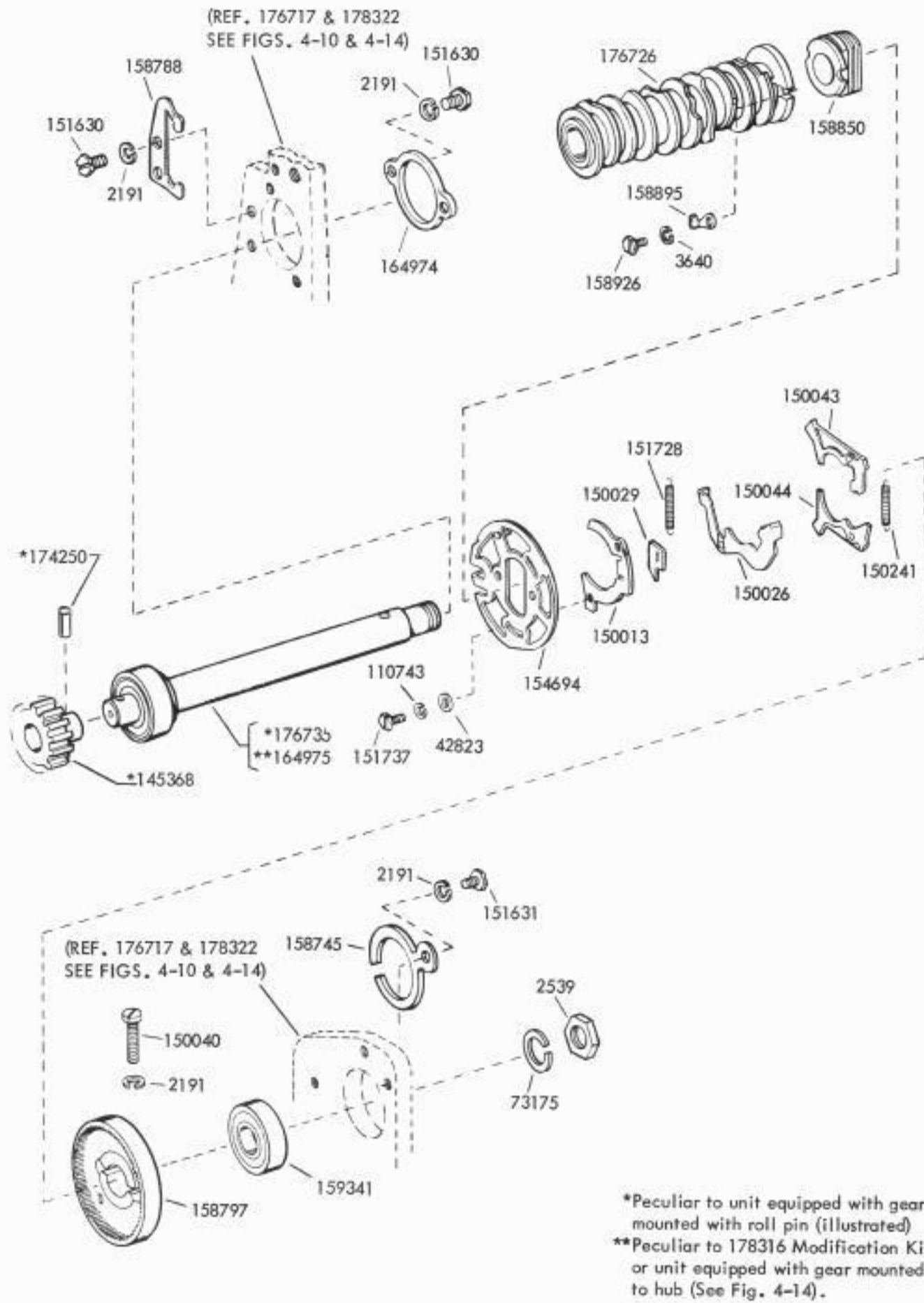


FIGURE 4-11. 178316 MODIFICATION KIT TO PROVIDE ANSWER BACK FEATURE FOR THE TRANSMITTER DISTRIBUTOR BASE (INCLUDES FIGURES 4-10 THROUGH 4-14)

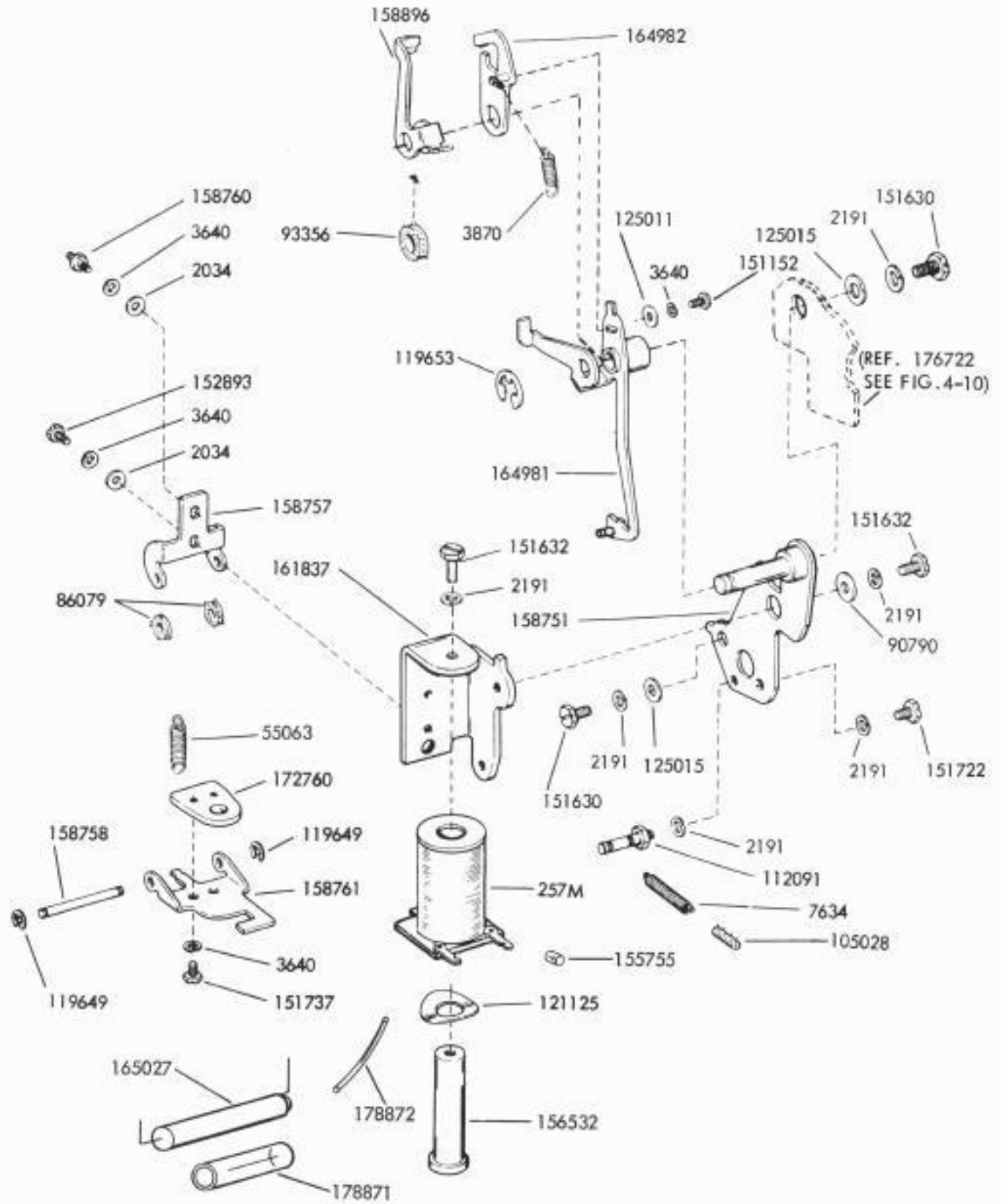


FIGURE 4-12. 178316 MODIFICATION KIT TO PROVIDE ANSWER BACK FEATURE FOR THE TRANSMITTER DISTRIBUTOR BASE (INCLUDES FIGURES 4-10 THROUGH 4-14)

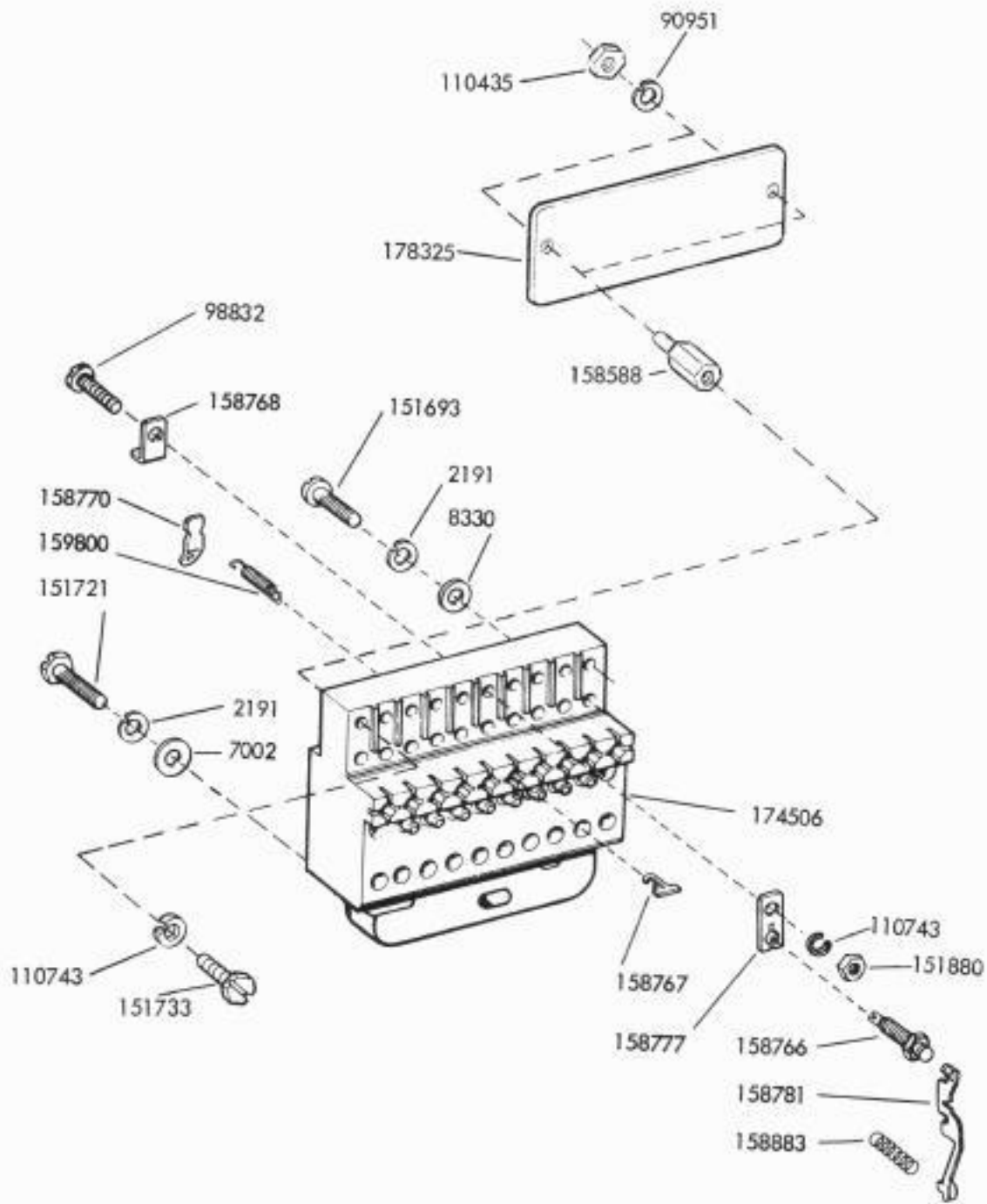


FIGURE 4-13. 178316 MODIFICATION KIT TO PROVIDE ANSWER BACK FEATURE FOR THE TRANSMITTER DISTRIBUTOR BASE (INCLUDES FIGURES 4-10 THROUGH 4-14)

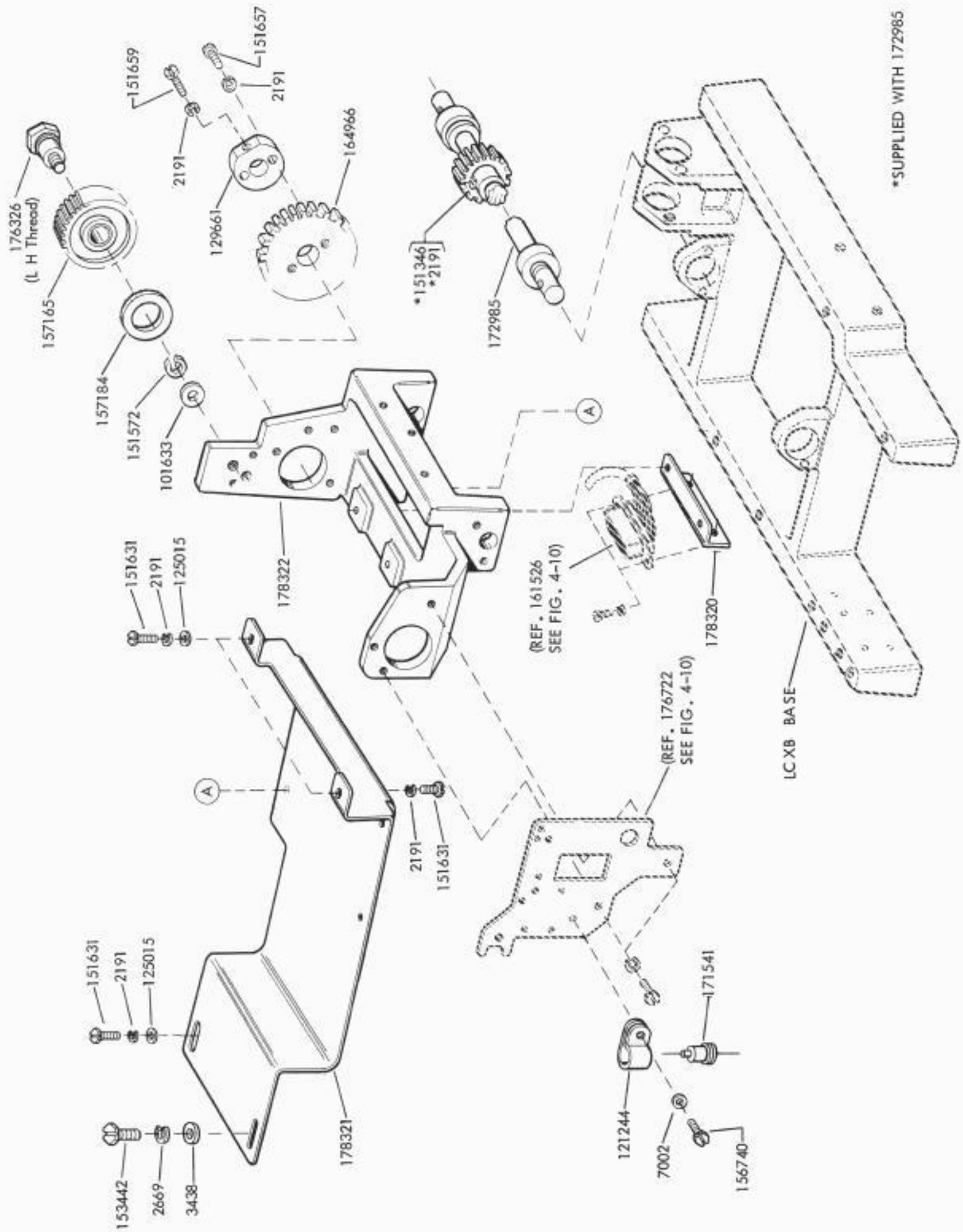
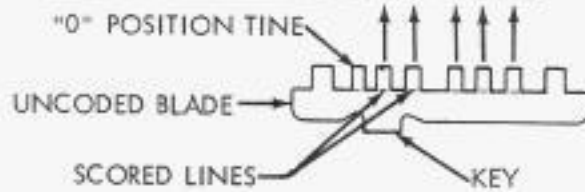


FIGURE 4-14. 178316 MODIFICATION KIT TO PROVIDE ANSWER BACK FEATURE FOR THE TRANSMITTER DISTRIBUTOR BASE (INCLUDES FIGURES 4-10 THROUGH 4-13)

CHARACTER	CODE				
	1	2	3	4	5
A			X	X	X
B		X	X		
C	X				X
D		X	X		X
E		X	X	X	X
F		X			X
G	X		X		
H	X	X		X	
I	X			X	X
J			X		X
K					X
L	X		X	X	
M	X	X			
N	X	X			X
O	X	X	X		
P	X			X	
Q				X	
R	X		X		X
S		X		X	X
T	X	X	X	X	
U				X	X
V	X				
W			X	X	
X		X			
Y		X		X	
Z		X	X	X	
CARRIAGE RETURN	X	X	X		X
LINE FEED	X		X	X	X
LETTERS SHIFT					
FIGURES SHIFT			X		
SPACE	X	X		X	X
BLANK	X	X	X	X	X

— LEAVE TINE
 — REMOVE TINE

NOTE:
 Remove the "0" position tine
 on all code and stop blades.



Coding Instructions for the Stop and Code Blades used in
 the Answer Back Feature on an LCXB Transmitter Distributor Base.
 (See Figure 1-45 for Coding Instructions for the Keyboard Base Feature)

FIGURE 4-15. UNCODED STOP AND CODE BLADES

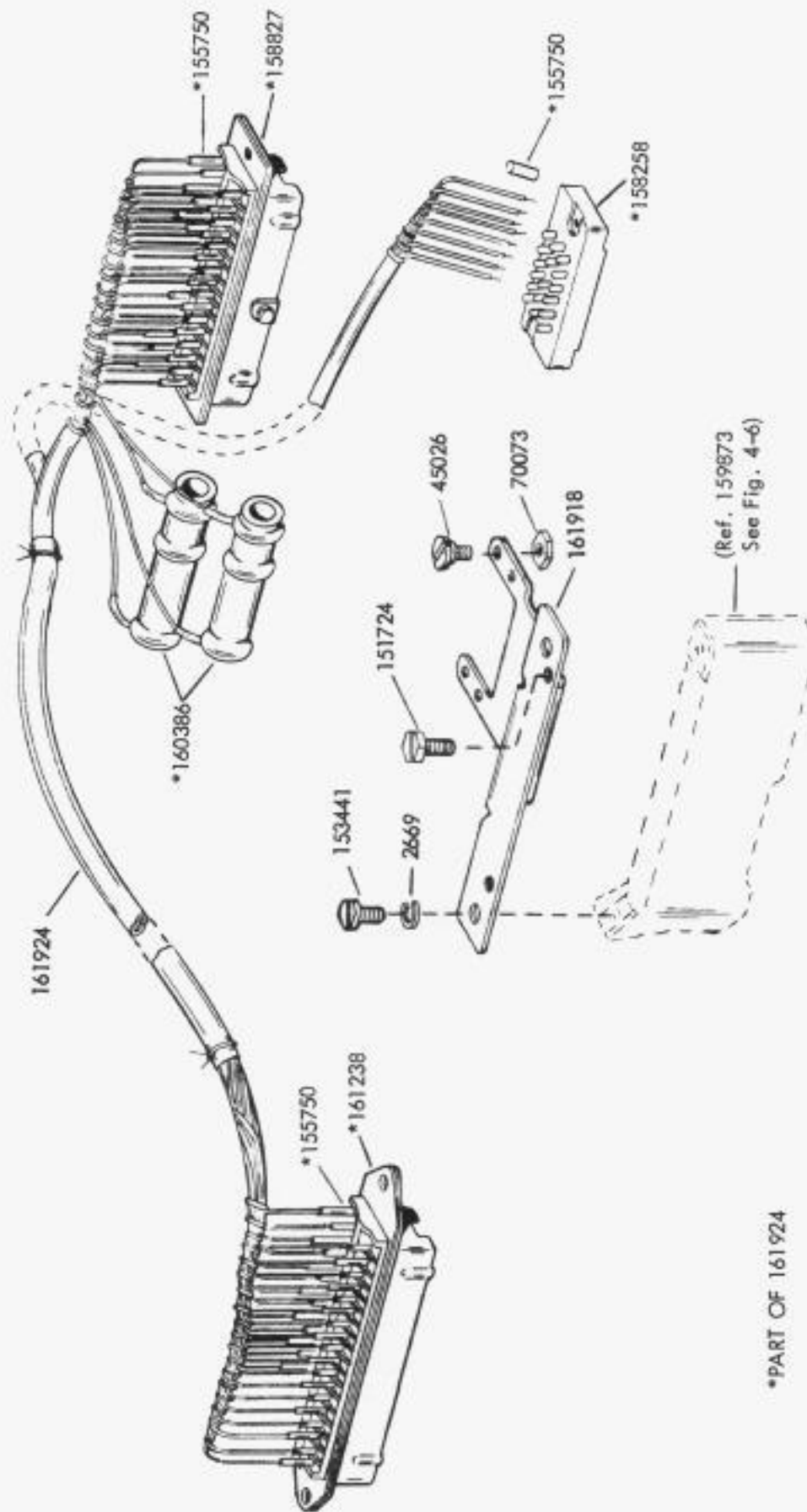


FIGURE 4-17. 161921 MODIFICATION KIT TO CONVERT AN LCXB7 BASE TO ACCEPT AN LBXD7 TRANSMITTER DISTRIBUTOR

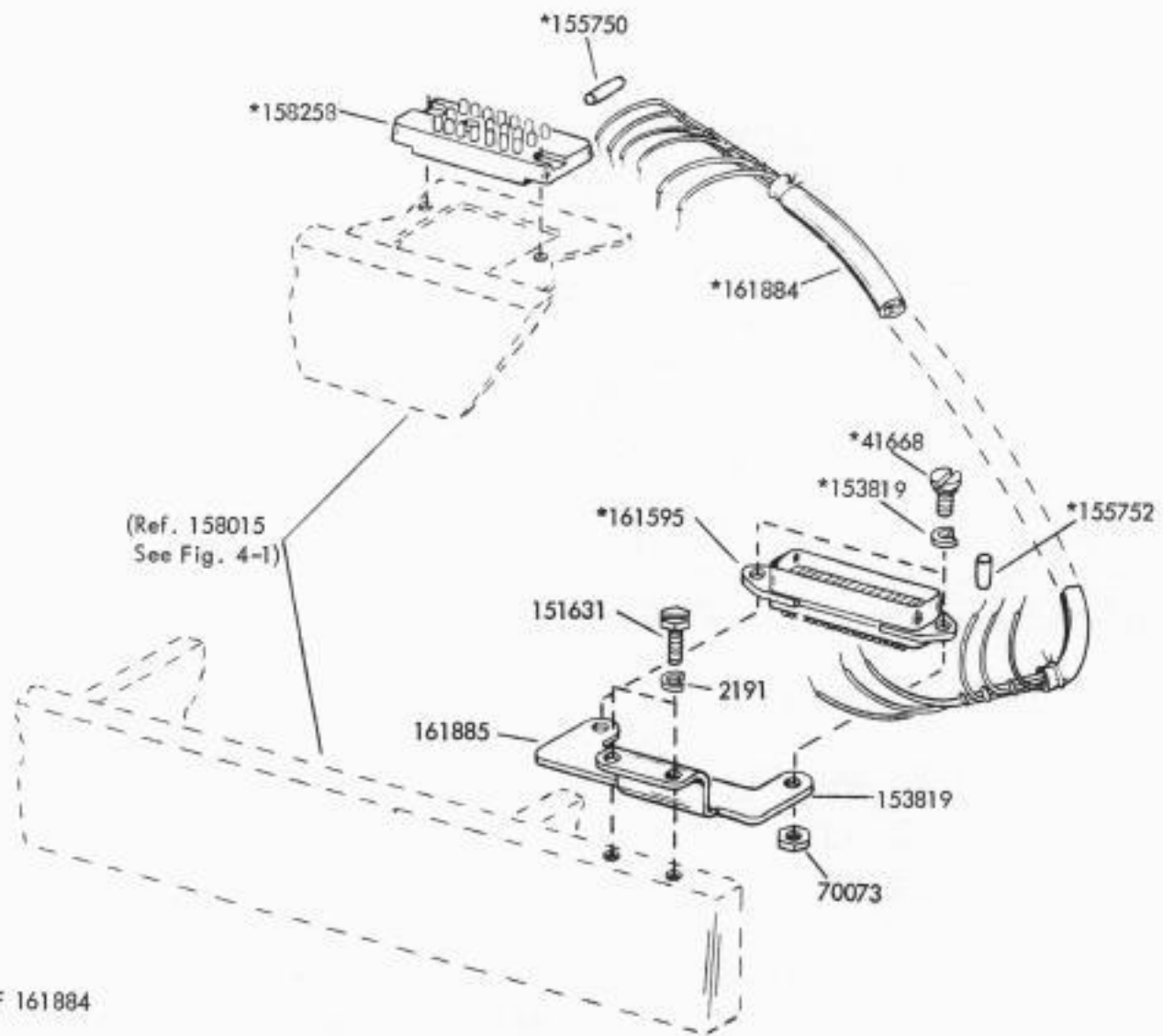


FIGURE 4-18. 161833 MODIFICATION KIT TO CONVERT AN LCXB1 TO AN LCXB8 TRANSMITTER DISTRIBUTOR BASE

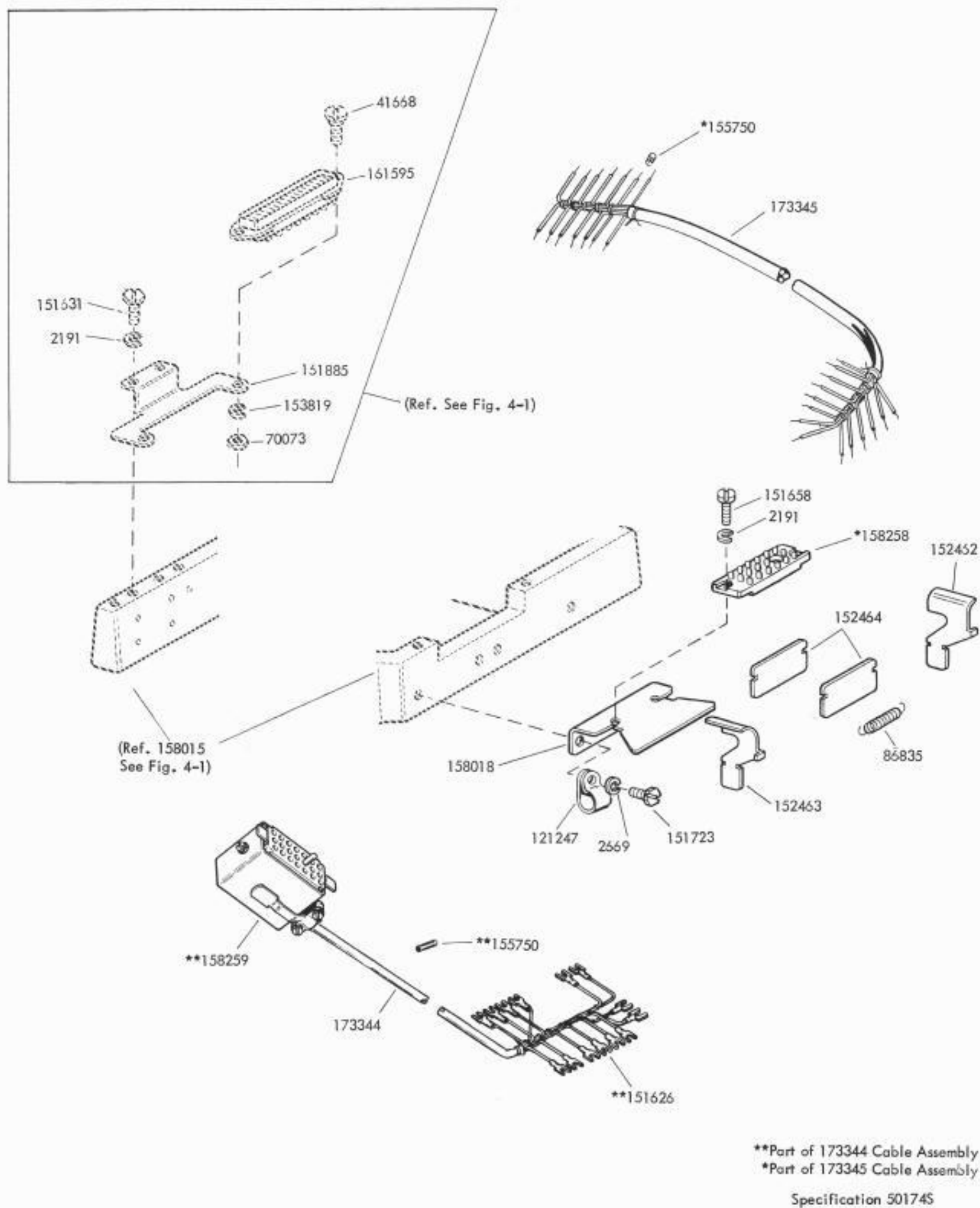


FIGURE 4-19. 173343 MODIFICATION KIT FOR MULTIPLE WIRE OUTPUT FACILITIES ON LCXB8 BASE

NUMERICAL INDEX - SECTION 4

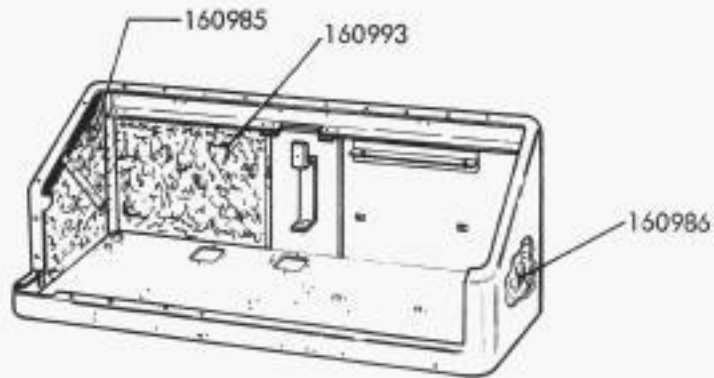
Part Number	Description and Page Number	Part Number	Description and Page Number	Part Number	Description and Page Number
257M	Coil, Magnet 4-13	110435	Nut (4-40 Hex) 4-14	152462	Latch, Right 4-2,4-7,4-8,4-10,4-17,4-20
1163	Screw (4-40 x 3/16 Fil) 4-3,4-4,4-5,4-7,4-17	110743	Washer, Lock 4-3 to 4-5,4-7,4-11,4-12,4-14,4-17	152463	Latch, Left 4-2,4-7,4-8,4-10,4-17,4-20
1164	Screw (2-56 x 3/16 Fil) 4-11	112091	Post (6-40) 4-13	152464	Insulator 4-2,4-7,4-8,4-10,4-17,4-20
1222	Screw (2-56 x 1/2 Fil) 4-11	112622	Screw, Shoulder (4-40) 4-11	152887	Screw (4-40 x 1/2 Hex) 4-2 to 4-8,4-17
2034	Washer, Flat 4-3,4-4,4-13	117366	Jumper (8-1/2" Green) 4-2,4-8,4-10,4-17	152893	Screw (4-40 x 1/4 Hex) 4-5,4-7,4-11,4-13
2191	Washer, Lock 4-2 to 4-8, 4-10 to 4-15,4-17,4-19,4-20	117535	Washer, Flat 4-2	153441	Screw (10-32 x 7/16 Hex) 4-18
2254	Washer, Flat 4-7,4-17	119648	Ring, Retaining (.073 ID) 4-11	153442	Screw (10-32 x 1/2 Hex) 4-8,4-15
2449	Washer, Lock 4-3,4-4	119649	Ring, Retaining (.094 ID) 4-13	153819	Washer, Lock 4-2,4-8,4-10,4-19
2539	Nut (3/8-32 Hex) 4-8,4-12	119653	Ring, Retaining (.207 ID) 4-13	153841	Screw (6-40 x 9/16 Hex) 4-11
2669	Washer, Lock 4-2 to 4-8,4-10,4-15,4-17,4-18,4-20	119655	Ring, Retaining (.300 ID) 4-2 to 4-7,4-17	154694	Disc 4-12
3438	Washer, Flat 4-3 to 4-7,4-15,4-17	121125	Washer, Spring 4-13	155750	Sleeve, Insulating (3/32 ID) 4-2,4-10,4-11,4-18,4-19,4-20
3598	Nut (6-40 Hex) 4-7,4-11,4-17	121244	Clamp, Cable (1/4" ID) 4-2,4-15	155752	Sleeve, Insulating (5/64 ID) 4-8,4-10,4-11,4-19
3599	Nut (4-40 Hex) 4-11	121245	Clamp, Cable (5/16" ID) 4-2	155753	Sleeve, Insulating (1/8 ID) 4-11
3606	Nut (6-40 Hex) 4-11	125011	Washer, Flat 4-11,4-13	155754	Sleeve, Insulating (1/16 ID) 4-11
3640	Washer, Lock 4-2 to 4-8,4-11 to 4-13,4-17	125015	Washer, Flat 4-2 to 4-8,4-10,4-11,4-13,4-15,4-17	155755	Sleeve, Insulating (11/64 ID) 4-13
3649	Washer, Flat 4-8	125802	Washer, Flat 4-11	155996	Pinion (13 T) 4-9
3870	Spring 4-13	129661	Hub 4-15	155997	Gear (60 T) 4-9
7002	Washer, Flat 4-10,4-11,4-14,4-15	130092	Screw, Shoulder (4-40) 4-11	155998	Pinion (12 T) 4-9
7634	Spring 4-13	138034	Plate 4-11	155999	Gear (34 T) 4-9
8330	Washer, Flat 4-14	145368	Gear, Helical (27 T) 4-10,4-12	156226	Hub, Gear 4-2 to 4-8,4-17
33828	Spring 4-11	150013	Disk, Adjusting 4-12	156467	Ring, Retaining (5/16) 4-8
41668	Screw, Shoulder (3-48) 4-2,4-8,4-10,4-19	150026	Lever, Clutch Shoe 4-12	156532	Core Assembly 4-13
42661	Spring 4-11	150029	Wick, Felt 4-12	156632	Screw (6-40 x 13/32 Hex) 4-11
42823	Washer, Flat 4-12	150040	Screw (6-40 x 5/8 Fil) 4-12	156740	Screw (6-40 x 7/32 Hex) 4-15
45026	Screw, Shoulder (3-48) 4-17,4-18	150043	Shoe, Secondary Clutch 4-12	156976	Connector, Plug (32 Pt) 4-5
49056	Screw (10-32 x 7/8 Hex) 4-5,4-6,4-7	150044	Shoe, Primary Clutch 4-12	157165	Gear (35 T) 4-15
55063	Spring 4-13	150241	Spring 4-12	157184	Washer, Felt 4-15
61085	Washer, Lock 4-5,4-7,4-11	150952	Eccentric 4-3,4-4	158001	Gear, Helical (33 T) 4-9
70073	Nut (3-48 Hex) 4-2,4-8,4-10,4-17 to 4-19	151080	Washer, Flat 4-2 to 4-8,4-17	158002	Gear, Helical (11 T) 4-9
71858	Washer, Flat 4-3,4-4	151152	Screw (4-40 x 3/16 Hex) 4-11,4-13	158003	Gear, Helical (12 T) 4-9
73175	Washer, Lock 4-8,4-12	151246	Washer, Flat 4-8	158004	Gear, Helical (47 T) 4-9
73427	Washer, Flat 4-11	151346	Screw (6-40 x 3/8 Fil) 4-15	158005	Pinion (9 T) 4-9
74702	Spring 4-11	151442	Screw (6-40 x 1/2 Hex) 4-2 to 4-8,4-17	158006	Gear, Helical (44 T) 4-9
74807	Nut (10-32 Hex) 4-2,4-8,4-10	151572	Washer, Lock 4-15	158012	Shaft 4-2 to 4-8,4-17
75750	Washer, Insulating 4-7,4-17	151626	Terminal 4-11,4-20	158013	Coupling, Shaft 4-2,4-8
76279	Screw (1/4-32 x 5/8 Hex) 4-3,4-4	151630	Screw (6-40 x 1/4 Hex) 4-2 to 4-8,4-12,4-13,4-17	158015	Base 4-2
77902	Screw (6-40 x 2-3/8 Rd) 4-7,4-17	151631	Screw (6-40 x 5/16 Hex) 4-2 to 4-8,4-10,4-11,4-15,4-17,4-19	158017	Shaft 4-2
78533	Spring 4-11	151632	Screw (6-40 x 3/8 Hex) 4-2 to 4-8,4-10,4-13,4-17	158018	Bracket 4-2,4-8,4-10,4-20
80706	Screw, Set (6-40) 4-11	151633	Bearing, Ball 4-8	158027	Gear Set (100 WPM) 4-9
84575	Spring 4-11	151657	Screw (6-40 x 1/4 Fil) 4-2,4-15	158028	Gear Set (75 WPM) 4-9
86079	Washer, Felt 4-13	151658	Screw (6-40 x 5/16 Fil) 4-2,4-7,4-8,4-10,4-17,4-20	158029	Gear Set (60 WPM) 4-9
86742	Nut (4-40 Hex) 4-3 to 4-7,4-17	151659	Screw (6-40 x 1/2 Fil) 4-15	158258	Connector, Plug (20 Pt) 4-2,4-7,4-8,4-10,4-17 to 4-20
86835	Spring 4-2,4-7,4-8,4-10,4-17,4-20	151687	Screw (4-40 x 7/16 Fil) 4-3	158259	Connector, Receptacle (20 Pt) 4-8,4-20
86850	Screw (10-32 x 1-1/4 Hex) 4-3,4-4	151688	Screw (4-40 x 5/8 Fil) 4-4	158271	Guard, Gear 4-2 to 4-8,4-17
90790	Washer, Flat 4-13	151693	Screw (6-40 x 9/16 Fil) 4-14	158588	Post (4-40) 4-14
90951	Washer, Lock 4-14	151721	Screw (6-40 x 3/4 Hex) 4-14	158601	Connector, Plug (14 Pt) 4-5,4-7
92260	Washer, Lock 4-11	151722	Screw (6-40 x 3/16 Hex) 4-13	158745	Plate, Clamp 4-2 to 4-8,4-12,4-17
93118	Washer, Lock 4-11	151723	Screw (10-32 x 3/8 Hex) 4-2 to 4-5,4-7,4-10,4-17,4-20	158751	Plate W/Shaft, Clutch Trip 4-13
93356	Washer, Felt 4-13	151724	Screw (10-32 x 5/8 Hex) 4-17,4-18	158757	Hinge, Mounting 4-13
94540	Screw, Set (10-24) 4-2 to 4-8,4-10	151728	Spring 4-12	158758	Shaft 4-13
98726	Screw (3-48 x 1/4 Fil) 4-5,4-7,4-11	151733	Screw (4-40 x 9/16 Fil) 4-14	158760	Post (4-40) 4-13
98832	Screw (4-40 x 11/16 Fil) 4-14	151737	Screw (4-40 x 11/64 Hex) 4-11,4-12,4-13	158761	Bail 4-13
99978	Connector, Plug (4 Pt) 4-11	151880	Nut (4-40 Hex) 4-2,4-7,4-8,4-11,4-14,4-17	158766	Screw, Contact (6-40) 4-14
101633	Washer, Flat 4-15			158767	Guide, Lever 4-14
103305	Washer, Flat 4-2,4-8,4-10			158768	Terminal 4-14
105028	Wick, Felt 4-13			158770	Terminal, Spring Holder 4-14
107398	Terminal 4-10,4-17			158777	Holder, Screw (6-40) 4-14
				158778	Post, Spring 4-11
				158779	Lever, Cam Follower 4-11

NUMERICAL INDEX - SECTION 4 (Continued)

Part Number	Description and Page Number	Part Number	Description and Page Number	Part Number	Description and Page Number
158781	Rocker, Contact 4-14	161920	Base 4-17	176725	Cable Assembly 4-11
158785	Block, Distributor 4-14	161924	Cable Assembly 4-17,4-18	176726	Sleeve, Cam 4-12
158788	Clamp 4-12	163003	Gear (20 T) 4-2	176732	Guide 4-11
158797	Drum, Clutch 4-12	163452	Pinion (20 T) 4-9	176733	Bracket 4-11
158827	Connector, Receptacle (32 Pt) 4-5, 4-7,4-17,4-18	163453	Gear (56 T) 4-9	176734	Bracket 4-11
158850	Bearing 4-12	163454	Gear Set (106 WPM) 4-9	176735	Shaft W/Bearing 4-12
158883	Spring 4-14	163497	Pinion (15 T) 4-9	176736	Screw, Shoulder (4-40) 4-11
158895	Clip 4-12	163498	Gear (63 T) 4-9	176737	Lever, Detent 4-11
158896	Lever, Latch 4-13	163499	Gear Set 4-9	176738	Screw, Shoulder (10-32) 4-11
158926	Screw (4-40 x 7/32 Hex) 4-12	163515	Stud, Shoulder 4-8	176739	Gear (45 T) 4-11
159233	Stud (6-40) 4-3,4-4	163517	Bushing, Rubber 4-2,4-8,4-10	176741	Gear (33 T) 4-10
159341	Bearing, Ball 4-12	164101	Stud, Shoulder 4-2,4-10	176743	Gear (33 T) 4-10
159800	Spring 4-14	164161	Drum, Message 4-11	176745	Gear (40 T) 4-10
159836	Gear (24 T) 4-3 to 4-7	164162	Ring, "O" 4-11	176751	Shaft 4-10
159837	Gear (48 T) 4-5 to 4-7,4-17	164164	Blade, Code 4-11	176752	Ring, Retaining 4-10
159838	Shaft 4-3 to 4-7,4-17	164966	Gear (42 T) 4-15	176754	Lever, Cam Follower 4-11
159839	Bracket, Plug Mounting 4-4	164974	Plate 4-12	176755	Lever, Cam Follower 4-11
159840	Bracket, Plug Mounting 4-3,4-5	164975	Shaft W/Bearing 4-12	176756	Lever, Cam Follower 4-11
159843	Shaft, Coupling 4-5 to 4-7,4-17	164976	Plate 4-11	176757	Lever, Cam Follower 4-11
159844	Base 4-3	164977	Shaft, Lever 4-11	176758	Lever, Cam Follower 4-11
159845	Base 4-4	164981	Lever, Trip 4-13	176759	Lever, Cam Follower 4-11
159846	Shaft, Coupler 4-3,4-4	164982	Lever, Trip 4-13	176760	Lever, Code Blade (Stop Cam) 4-11
159873	Base 4-5,4-6,4-7	165027	Network, Spark Suppression 4-13	176761	Bracket, Mounting 4-11
159882	Gear Set (65 WPM) 4-9	165691	Cable Assembly 4-11	176762	Bracket 4-11
159883	Gear Set (106 WPM) 4-9	170189	Pinion (15 T) 4-9	176766	Bracket, Connector 4-11
160366	Bracket 4-7,4-17	170190	Gear (51 T) 4-9	176768	Lever, Drive 4-11
160368	Cable Assembly 4-7	170291	Shaft W/Bearings, Idler 4-8	176769	Screw, Pilot (6-40) 4-11
160374	Cable Assembly 4-4,4-5	170293	Pinion (11 T) 4-9	176813	Guide 4-11
160384	Bracket 4-5,4-7	170294	Shaft, W/Bearings 4-8	176814	Screw, Shoulder (4-40) 4-11
160386	Resistor (1000 Ohm) 4-7,4-17,4-18	170295	Gear (25 T) 4-8	176815	Pawl, Stepping 4-11
160425	Stud, Adjusting (1/4-32) 4-3,4-4	170297	Gear (33 T) 4-9	176816	Plate 4-11
160626	Insulator 4-11	170298	Gear (40 T) 4-8	176817	Plate W/Shaft, Drive 4-11
160627	Bushing, Insulating 4-11	170300	Base 4-8	178316	Modification Kit 4-10 to 4-15
160628	Spring, Contact 4-11	170301	Gear (50 T) 4-8	178320	Bracket, Connector 4-15
160630	Spring, Contact 4-11	170310	Cable W/Connector 4-8	178321	Plate, Mounting 4-15
160631	Spring, Contact 4-11	171541	Diode (IN1693) 4-15	178322	Frame, Distributor 4-15
160975	Nut (1/4-32 Hex) 4-3,4-4	172760	Armature 4-13	178323	Cable Assembly 4-11
161238	Connector, Receptacle (36 Pt) 4-18	172985	Shaft W/Bearings and Gear 4-15	178325	Cover, Insulator 4-14
161330	Gear, Helical (49 T) 4-9	173343	Modification Kit 4-20	178332	Bracket 4-11
161331	Gear, Helical (11 T) 4-9	173344	Cable Assembly 4-20	178768	Cable Assembly 4-17
161332	Gear (42 T) 4-9	173345	Cable Assembly 4-20	178769	Gear Set (100 WPM) 4-9
161333	Pinion (10 T) 4-9	173776	Gear Set (65 WPM) 4-9	178770	Pinion (23 T) 4-9
161353	Gear (63 T) 4-9	173818	Pinion (13 T) 4-9	178771	Gear (46 T) 4-9
161354	Pinion (15 T) 4-9	173819	Gear (60 T) 4-9	178772	Gear Set (67 WPM) 4-9
161356	Gear Set (67 WPM) 4-9	174250	Pin, Roll 4-10,4-12	178773	Pinion (20 T) 4-9
161357	Gear Set 4-9	174260	Cable Assembly 4-8	178774	Gear (60 T) 4-9
161359	Gear Set 4-9	174261	Cable Assembly 4-8	178775	Gear Set (61 WPM) 4-9
161525	Connector, Plug (14 Pt) 4-11	176163	Jumper (18") 4-11	178776	Pinion (17 T) 4-9
161526	Connector, Receptacle (14 Pt) 4-11	176326	Screw, Shoulder (10-32 LH) 4-15	178777	Gear (56 T) 4-9
161595	Connector, Receptacle (36 Pt) 4-2, 4-8,4-10,4-17	176655	Base 4-10	178778	Pinion (20 T) 4-17
161833	Modification Kit 4-19	176656	Shaft 4-10	178779	Gear (60 T) 4-17
161837	Bracket 4-13	176657	Shaft 4-10	178780	Bracket, Connector 4-17
161884	Cable Assembly 4-2,4-8,4-10,4-19	176717	Frame, Distributor 4-11	178871	Sleeve, Insulating (7/16 x 1-1/8") 4-13
161885	Bracket, Connector 4-2,4-8,4-10, 4-19	176719	Resistor (1000 Ohm) 4-11	178872	Sleeve, Insulating (1/16 x 1-1/4") 4-13
161918	Bracket, Connector 4-18	176720	Contact Assembly 4-11	193565	Coupling, Flexible 4-2 to 4-8, 4-10,4-17
161919	Bracket, Connector 4-17	176721	Bracket, Contact 4-11	194356	Pinion (15 T) 4-2
		176722	Plate, Mounting 4-11	195144	Pinion (11 T) 4-9
		176723	Blade, Stop 4-11	195145	Gear (49 T) 4-9
		176724	Cable Assembly 4-11	195176	Guard, Contact 4-11

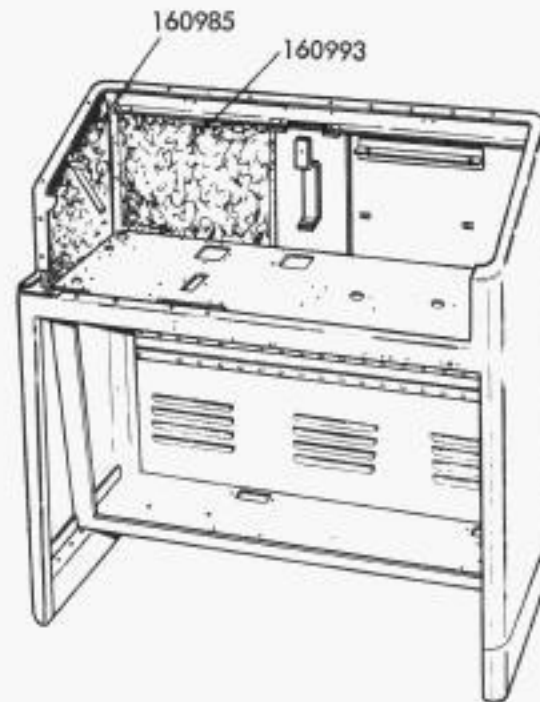
SECTION 5

AUTOMATIC SEND-RECEIVE CABINET (LAAC)



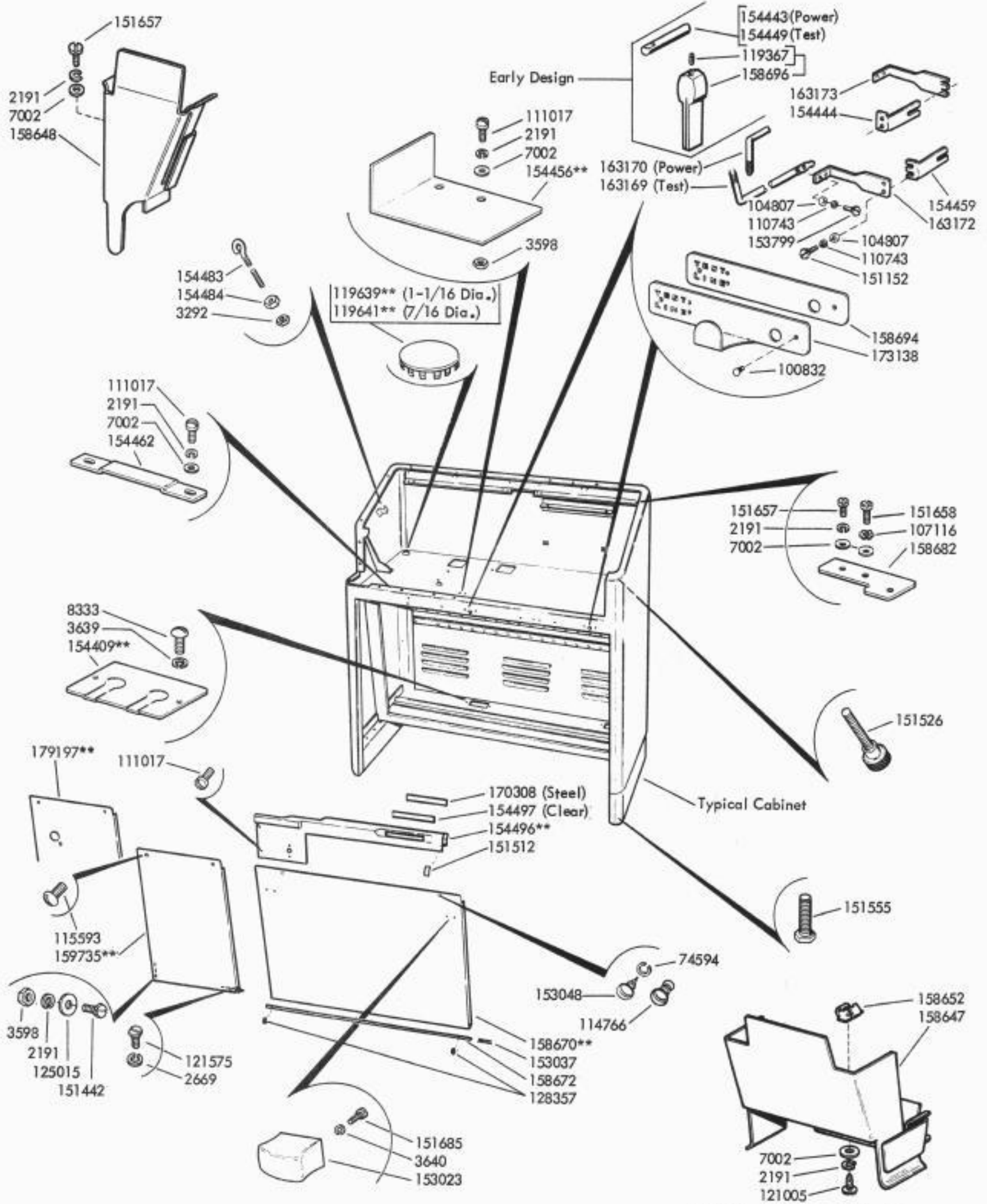
TYPICAL TABLE MODEL CABINET

CABINET TYPES	
General Purpose	Special Purpose
Accommodates Fixed Head Transmitters & Transmitter Distributors	Accommodates Pivoted Head Transmitter Distributors
<ul style="list-style-type: none"> ● LX ● LXD ● LBXD 	<ul style="list-style-type: none"> ● LAXD ● LCXD ● LFXD



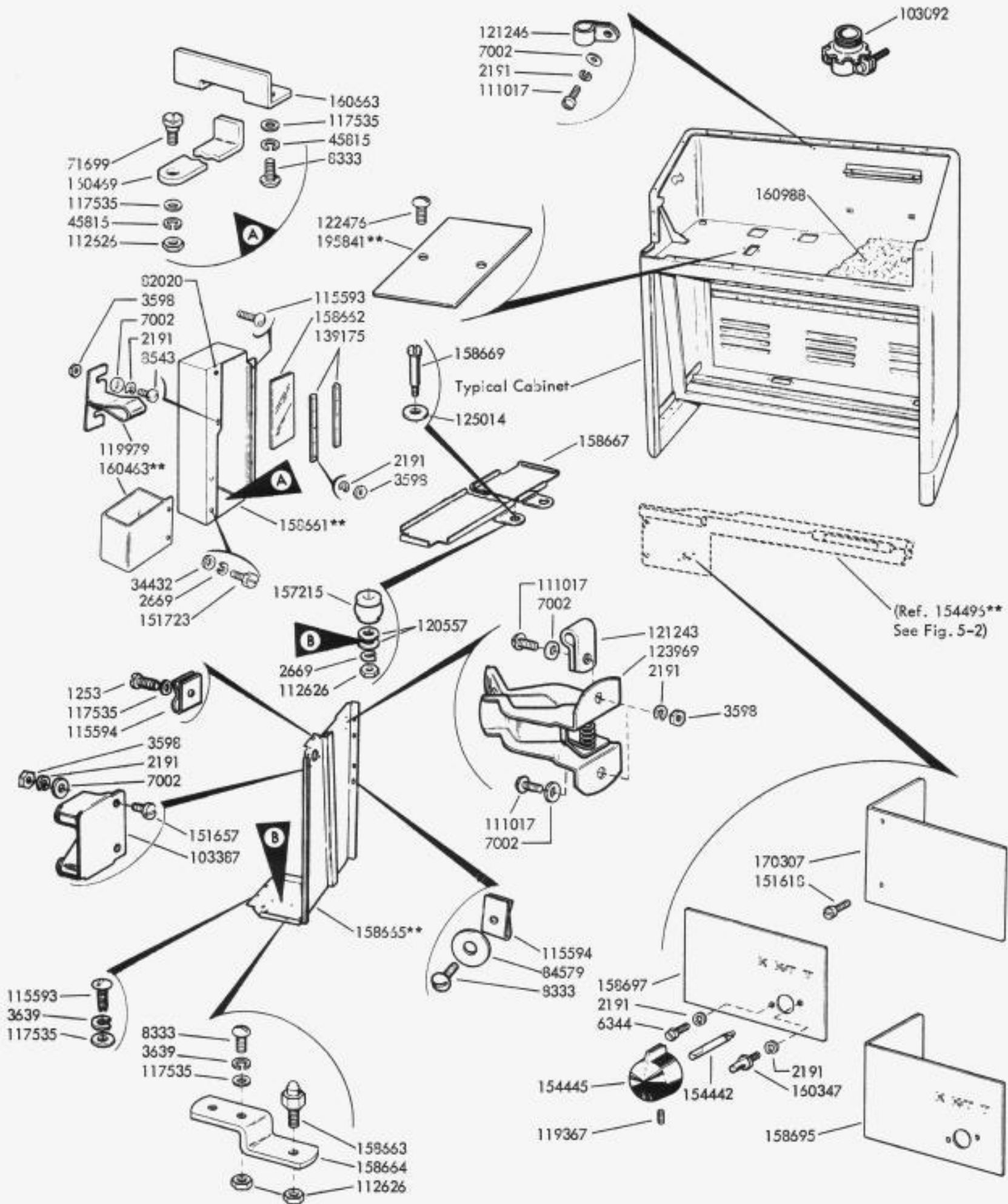
TYPICAL FLOOR MODEL CABINET

FIGURE 5-1. TYPICAL CABINETS



**Refer to page B for finish suffix

FIGURE 5-2. CABINET BASE COMMON PARTS



**Refer to page B for finish suffix

FIGURE 5-3. CABINET BASE COMMON PARTS.....Continued

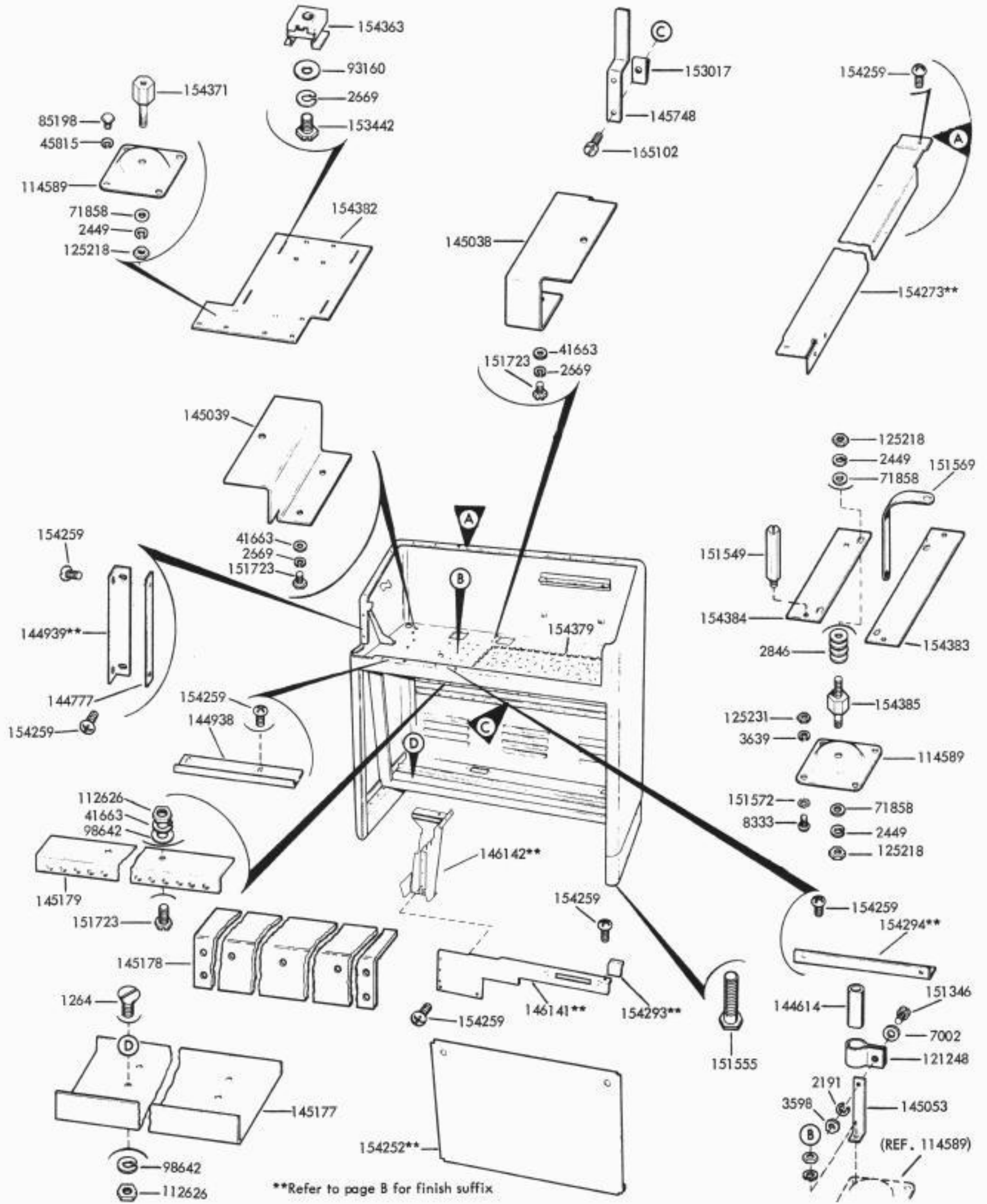
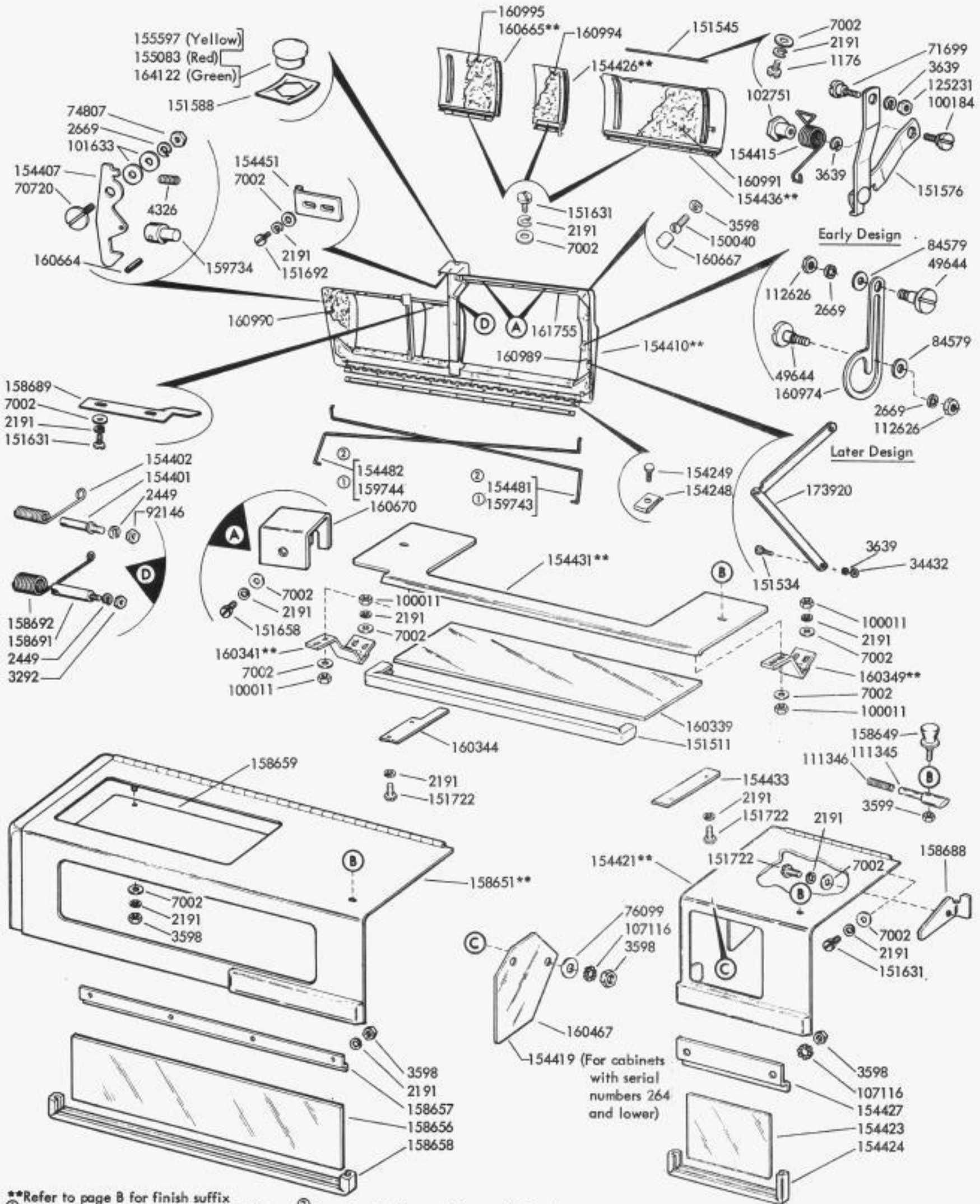
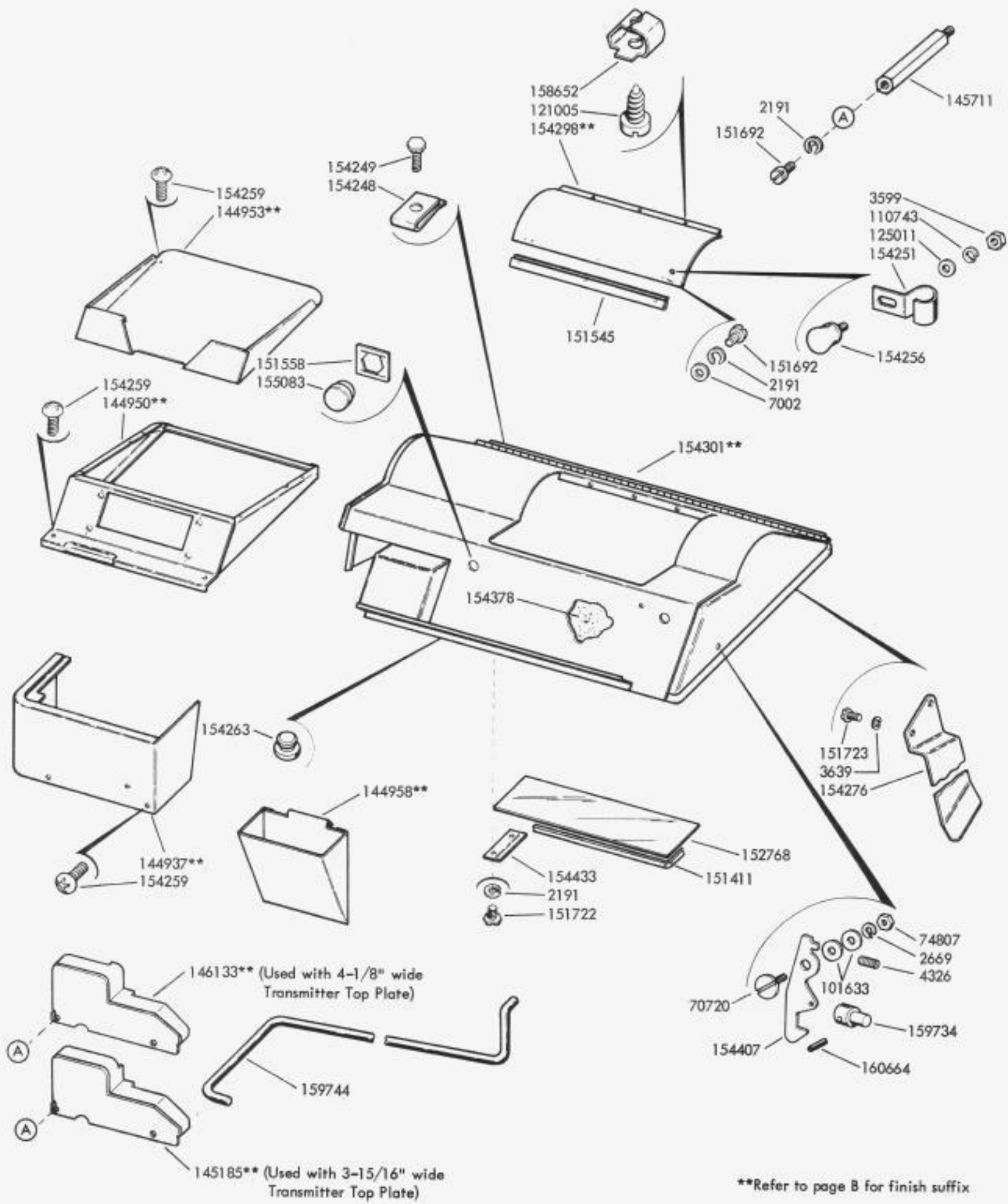


FIGURE 5-4. CABINET BASE TO ACCOMMODATE PULL-BACK TRANSMITTER



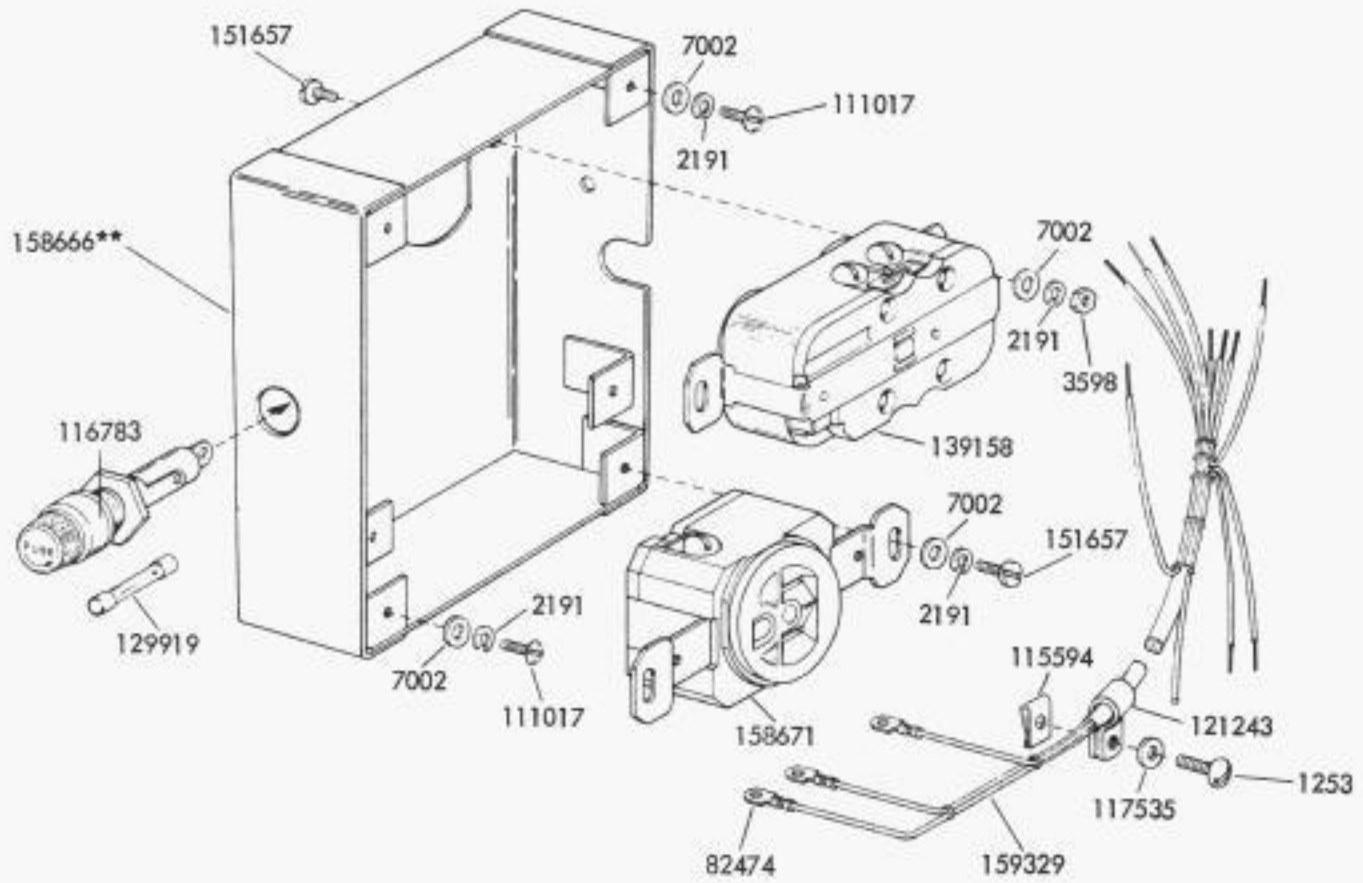
**Refer to page B for finish suffix
 ① Peculiar to Special Application Cabinets ② Peculiar to General Purpose Cabinets

FIGURE 5-5. CABINET DOME, LATCHES AND DOORS



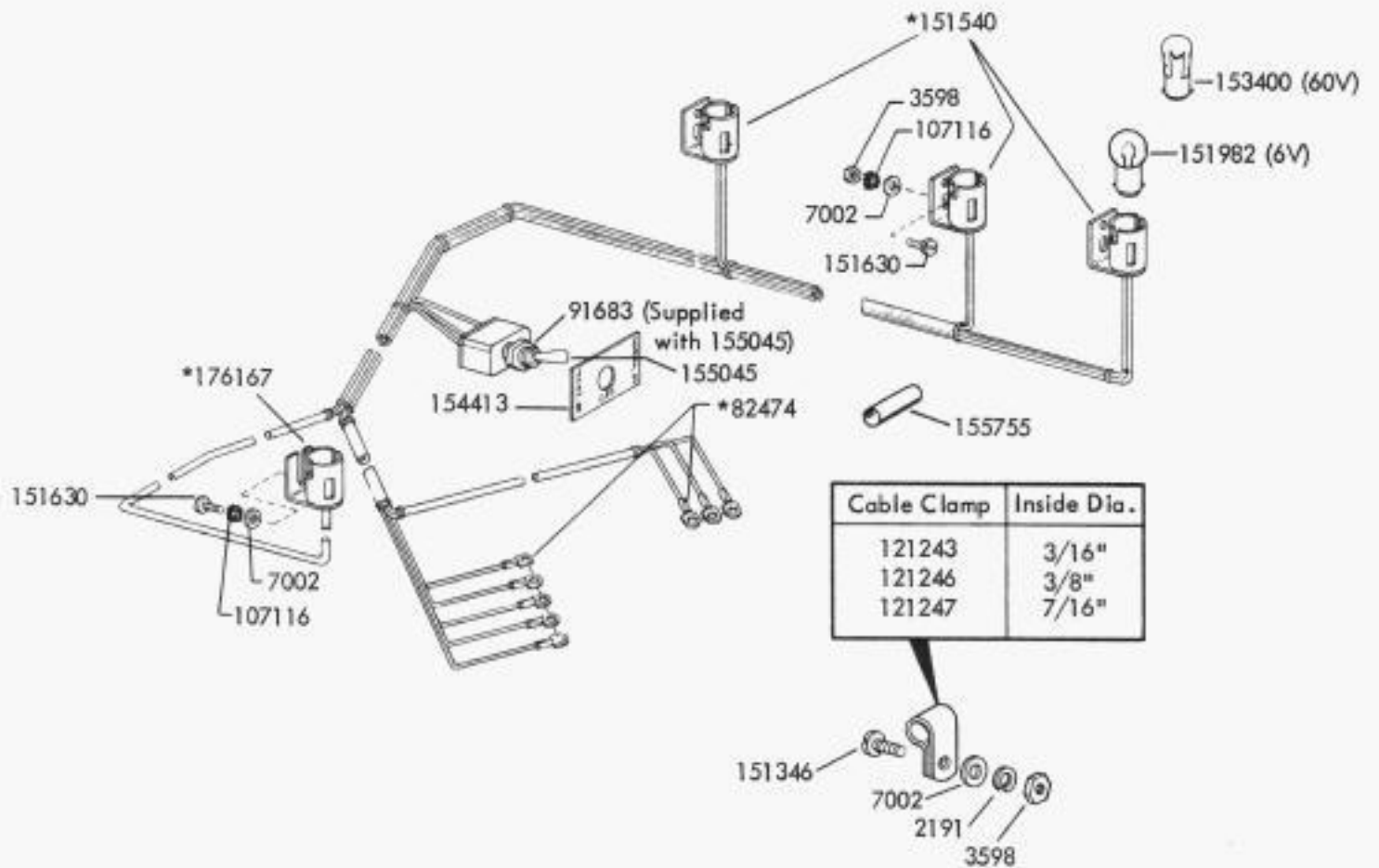
**Refer to page B for finish suffix

FIGURE 5-6. CABINET DOME TO ACCOMMODATE PULL-BACK TRANSMITTER



**Refer to page B for finish suffix

FIGURE 5-8. RECEPTACLE CONNECTORS AND OUTLET BOX



*Part of 154440

FIGURE 5-9. 154440 CABLE ASSEMBLY

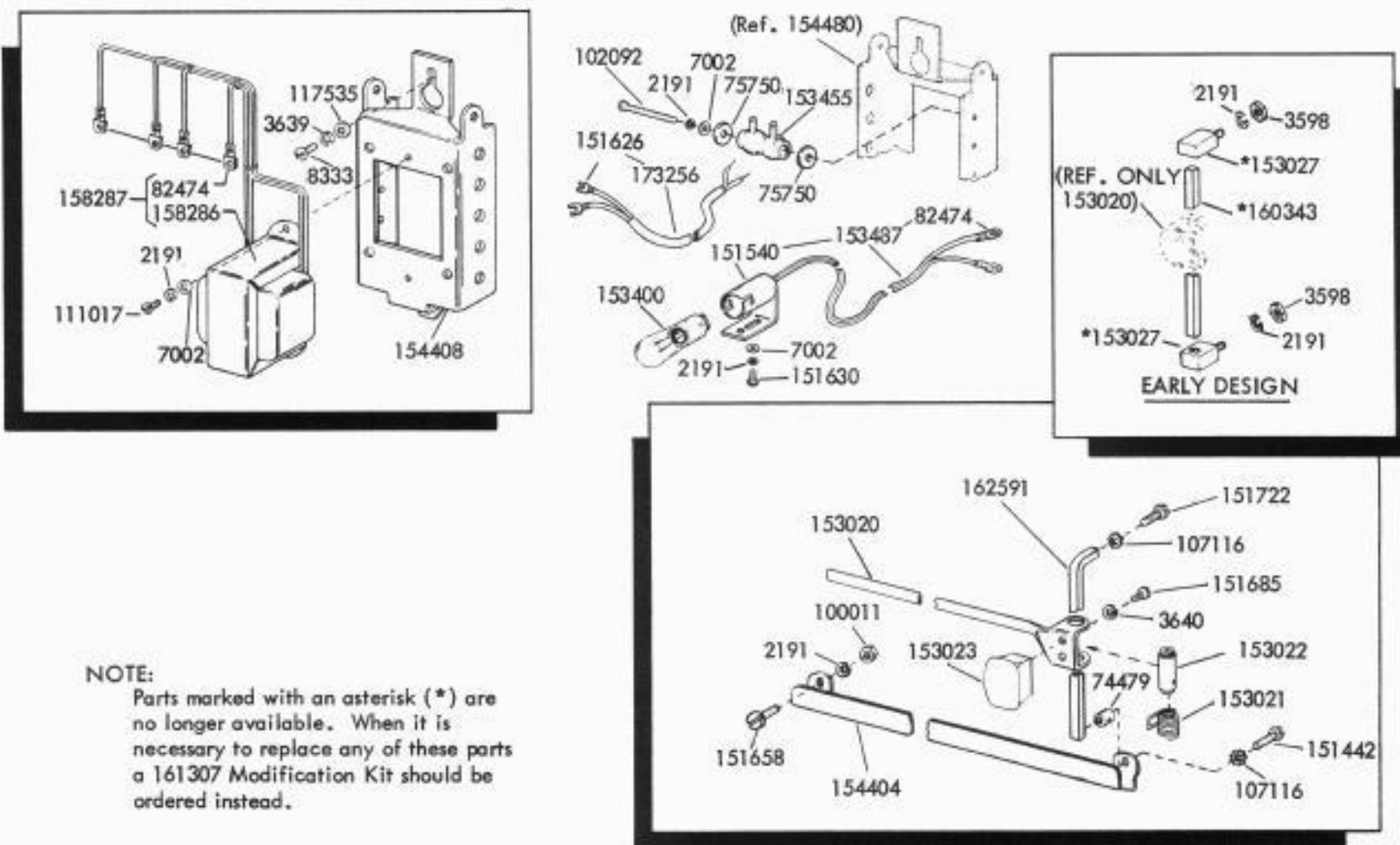


FIGURE 5-10. TRANSFORMER AND LINE GUIDE

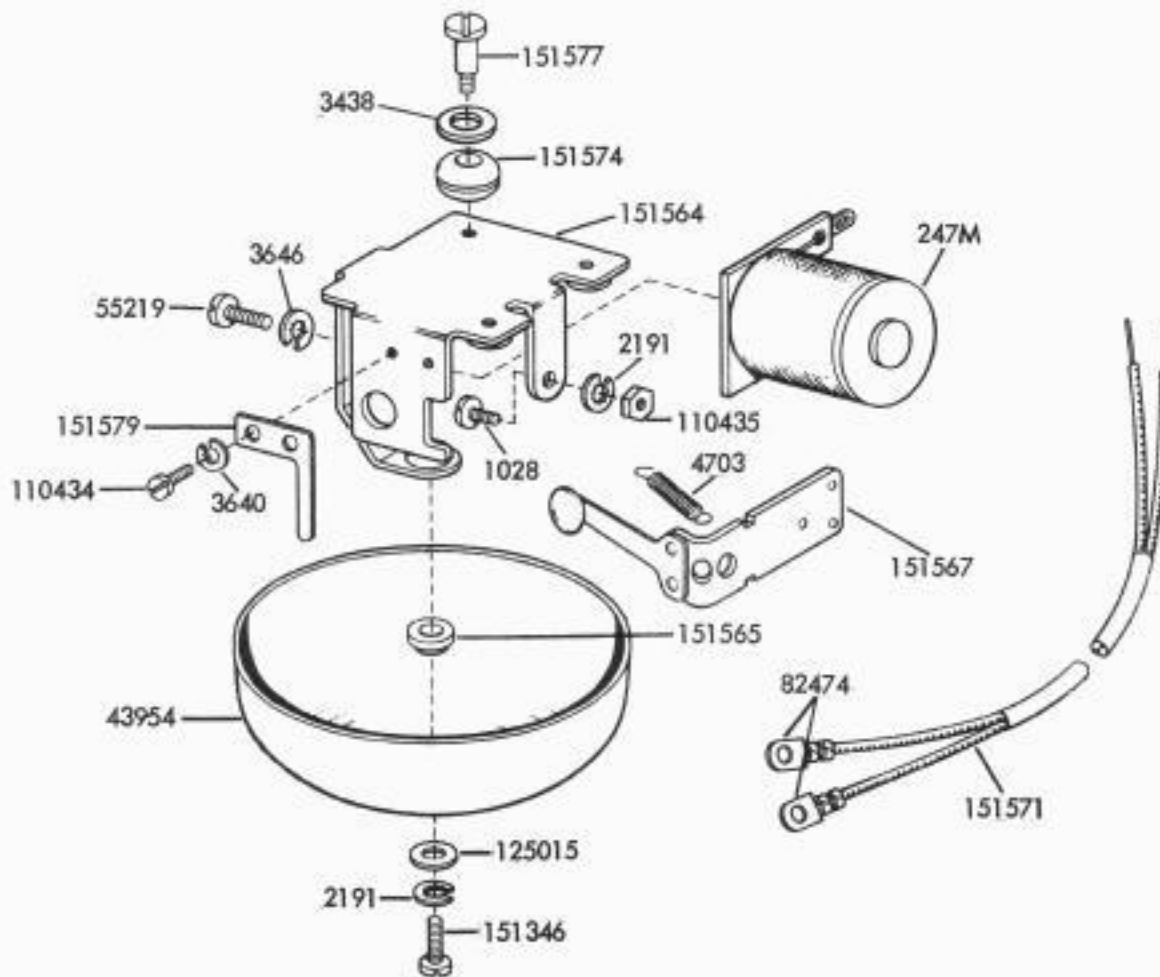


FIGURE 5-11. 151560 SIGNAL BELL ASSEMBLY

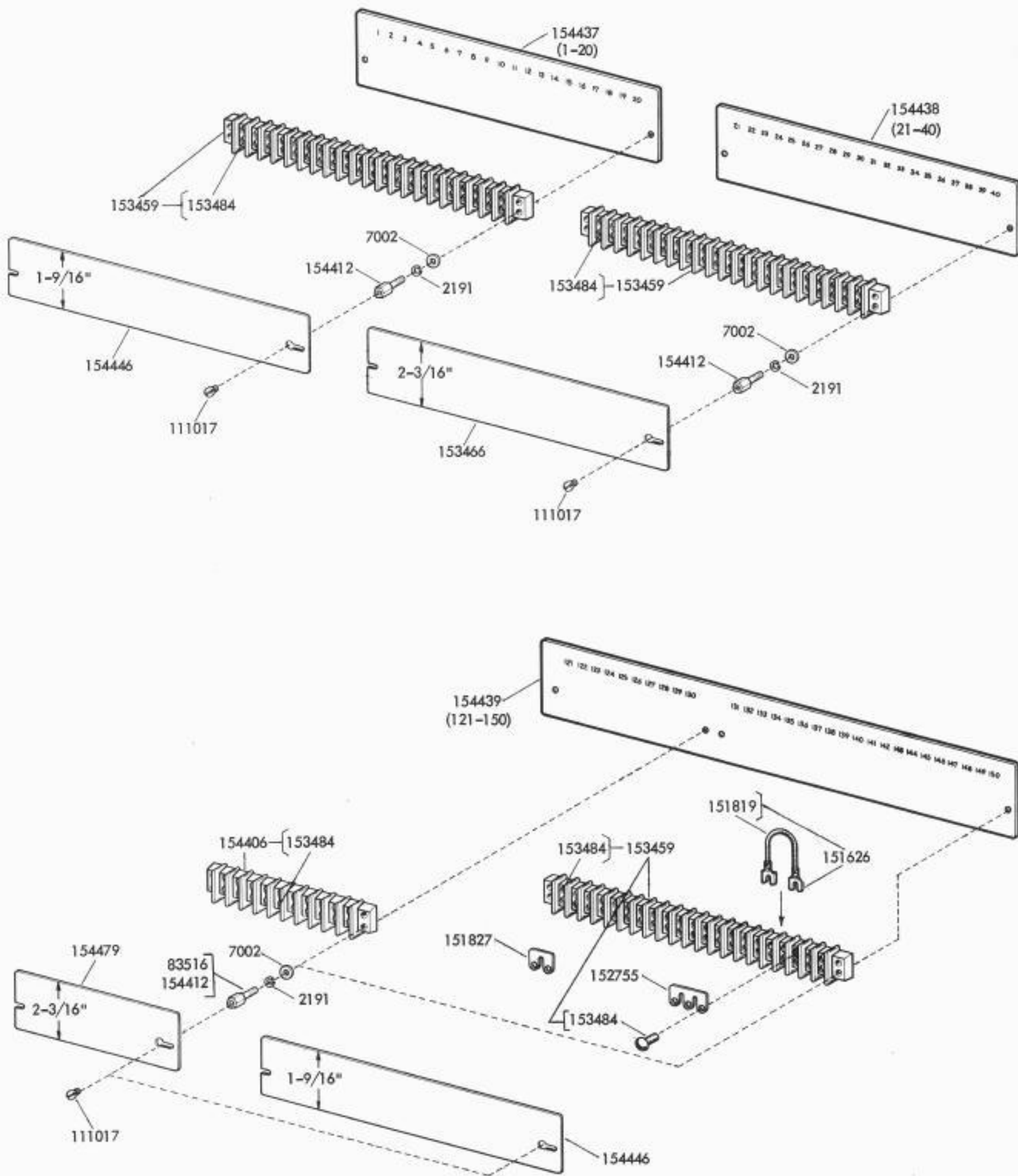


FIGURE 5-12. TERMINAL BLOCKS

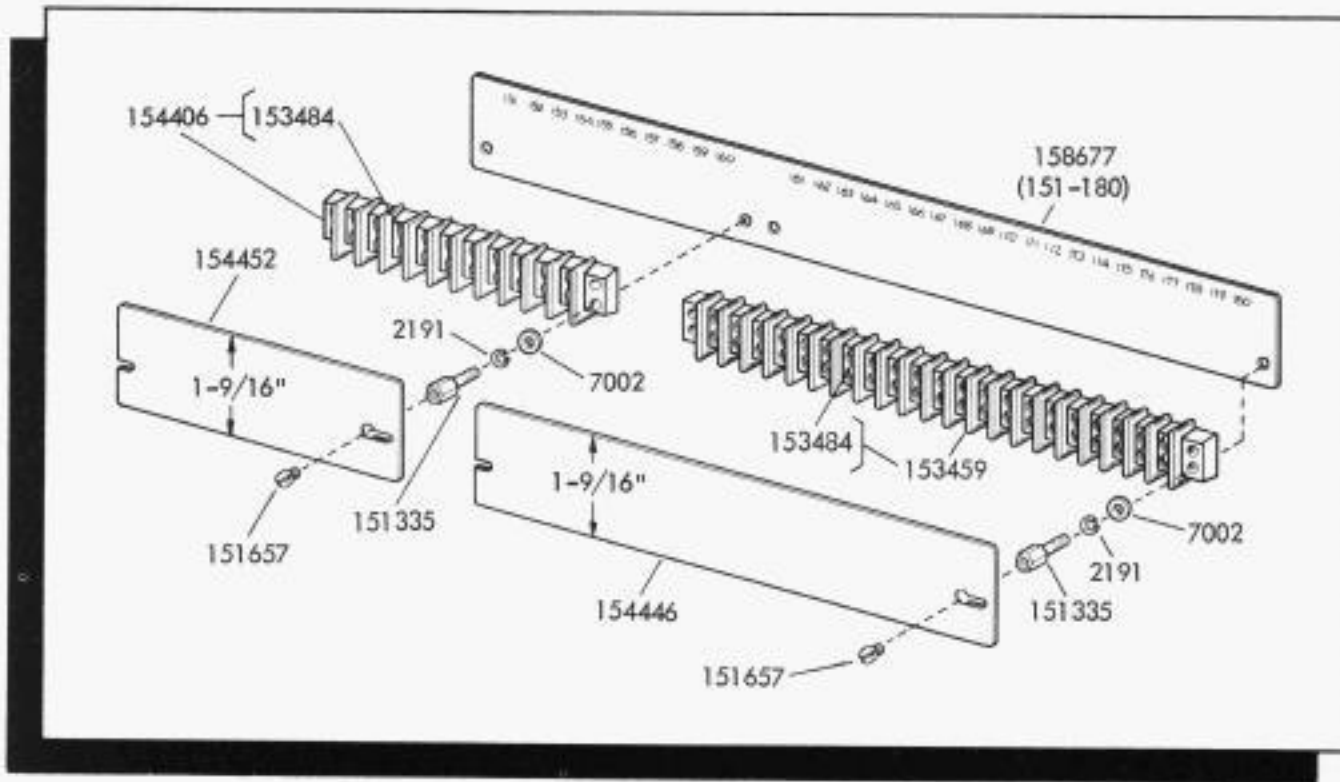


FIGURE 5-13. 159396 MODIFICATION KIT TO ADD AUXILIARY TERMINAL BLOCKS - TOP ROW LEFT REAR

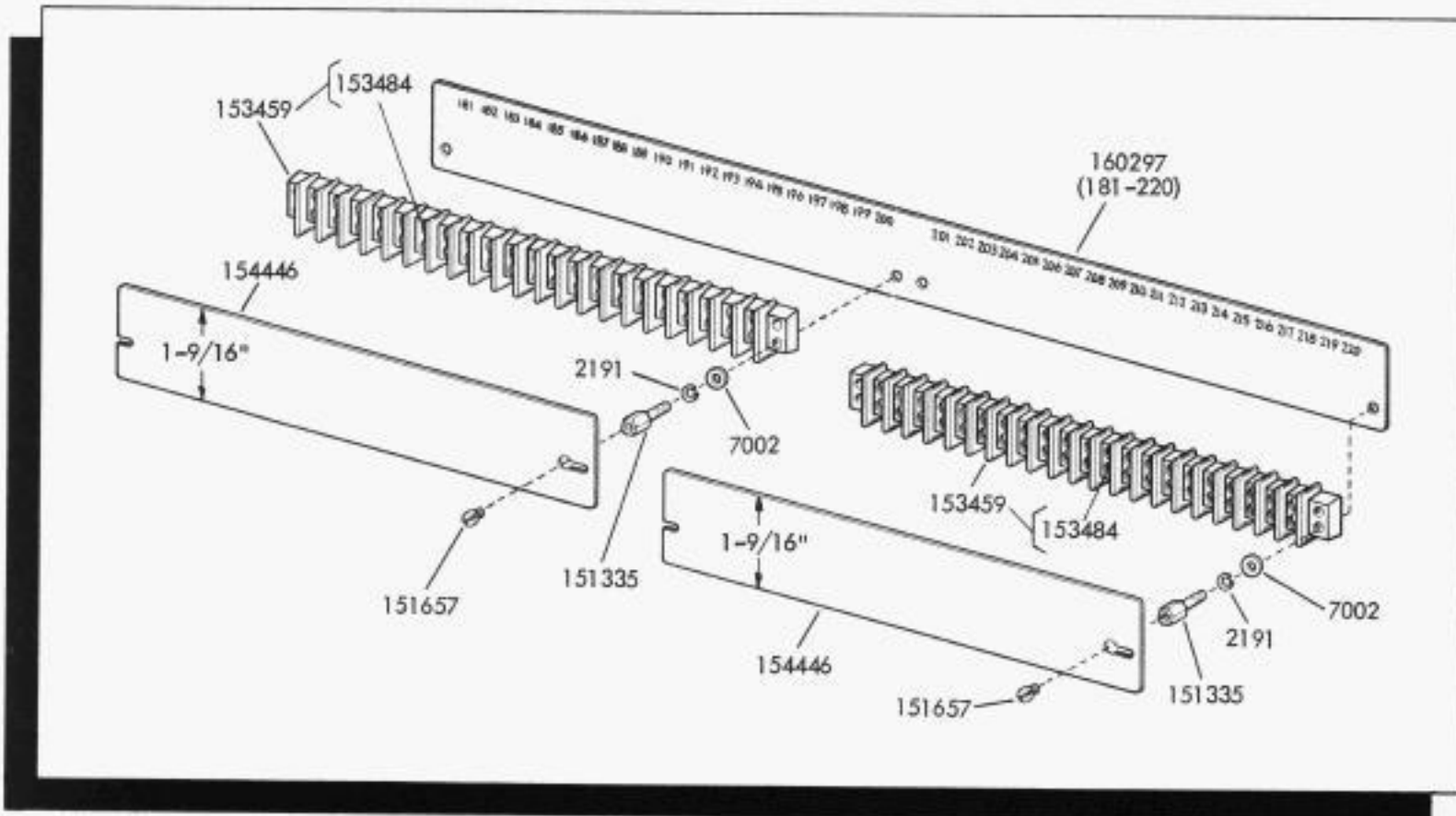


FIGURE 5-14. 159384 MODIFICATION KIT TO ADD AUXILIARY TERMINAL BLOCKS - TOP ROW RIGHT REAR

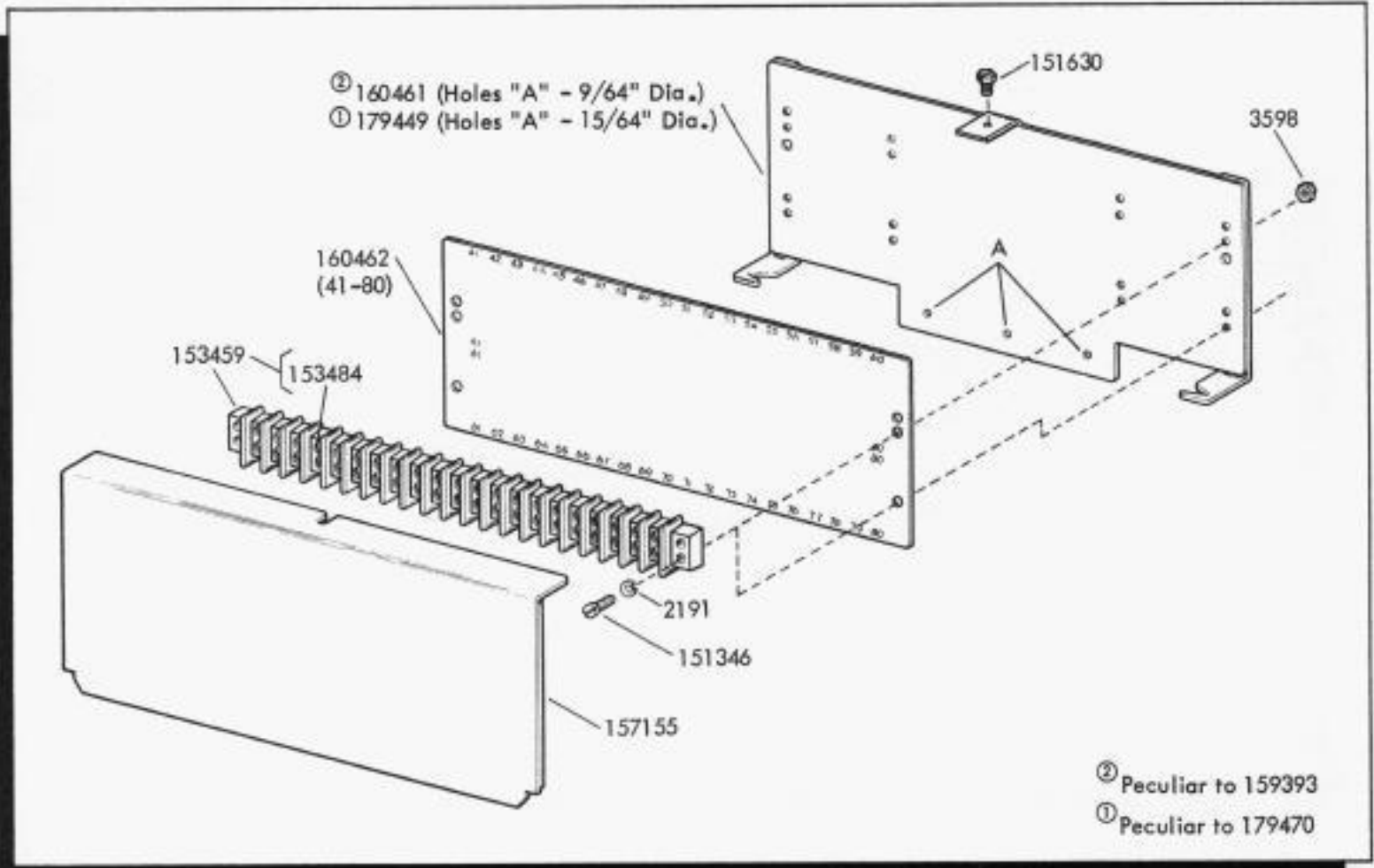


FIGURE 5-15. 159393 MODIFICATION KIT AND 179470 ASSEMBLY TO ADD AUXILIARY TERMINAL BLOCK - RIGHT SIDE

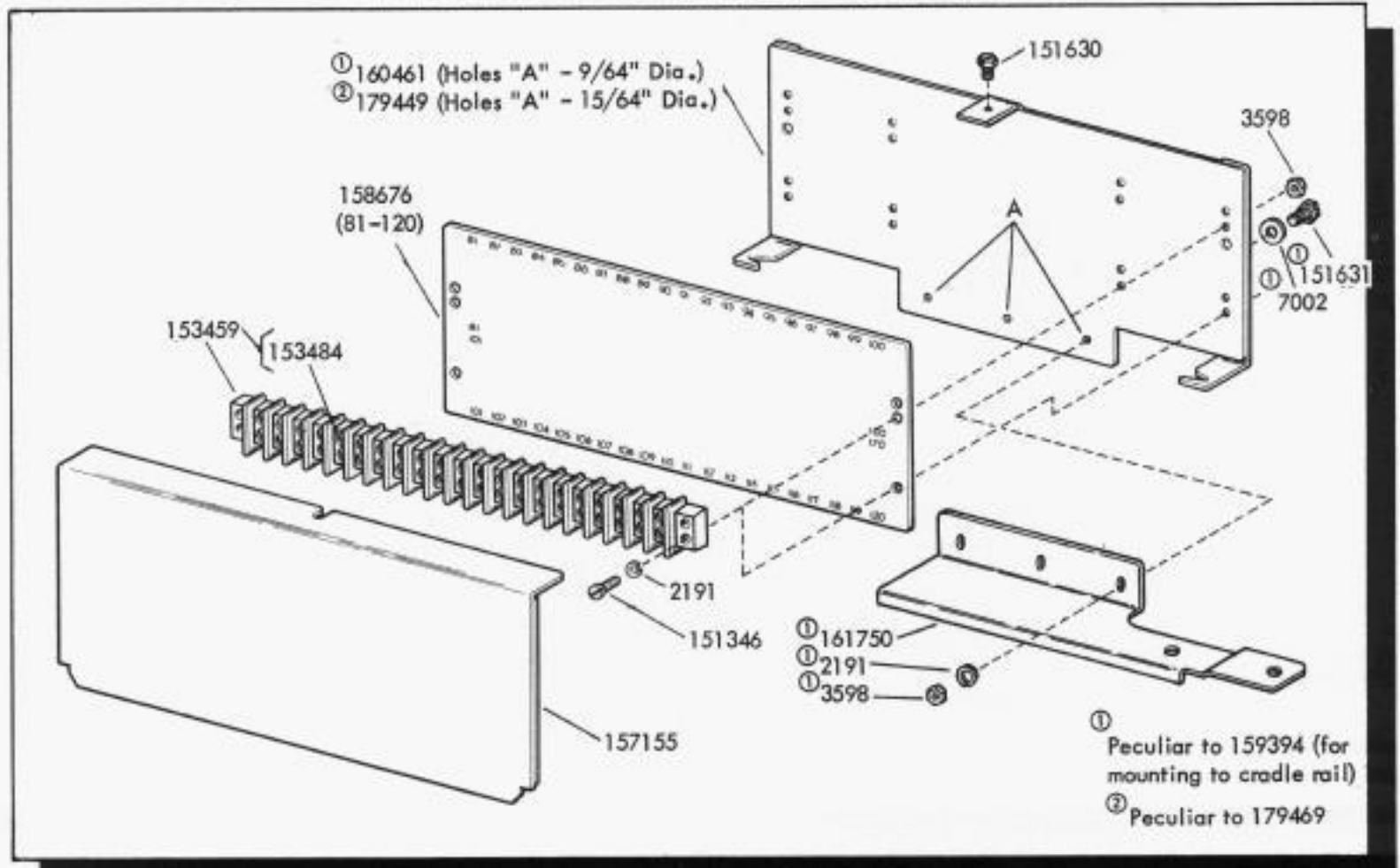


FIGURE 5-16. 159394 MODIFICATION KIT AND 179469 ASSEMBLY TO ADD AUXILIARY TERMINAL BLOCK - LEFT SIDE

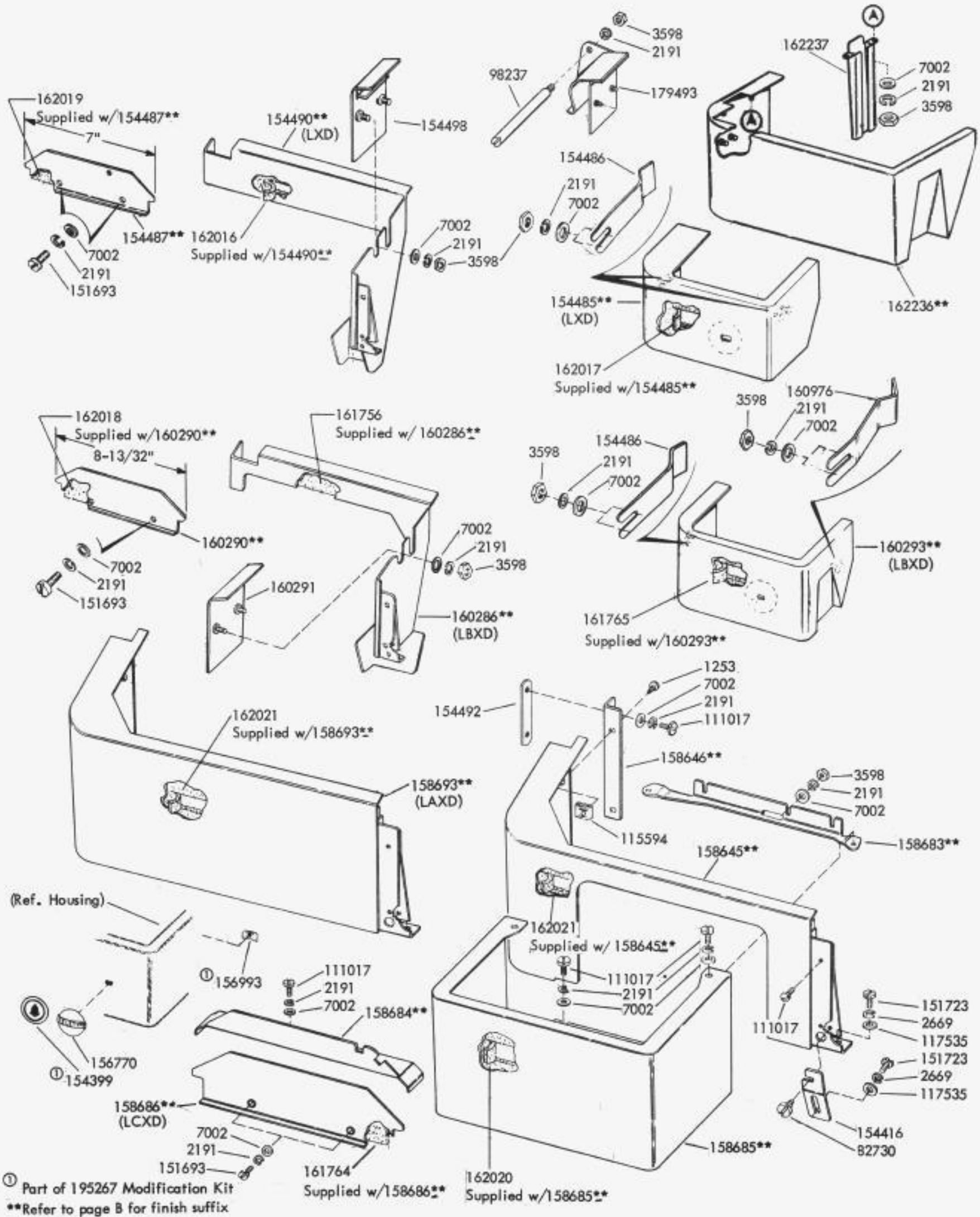


FIGURE 5-17. TRANSMITTER AND TRANSMITTER DISTRIBUTOR HOUSINGS

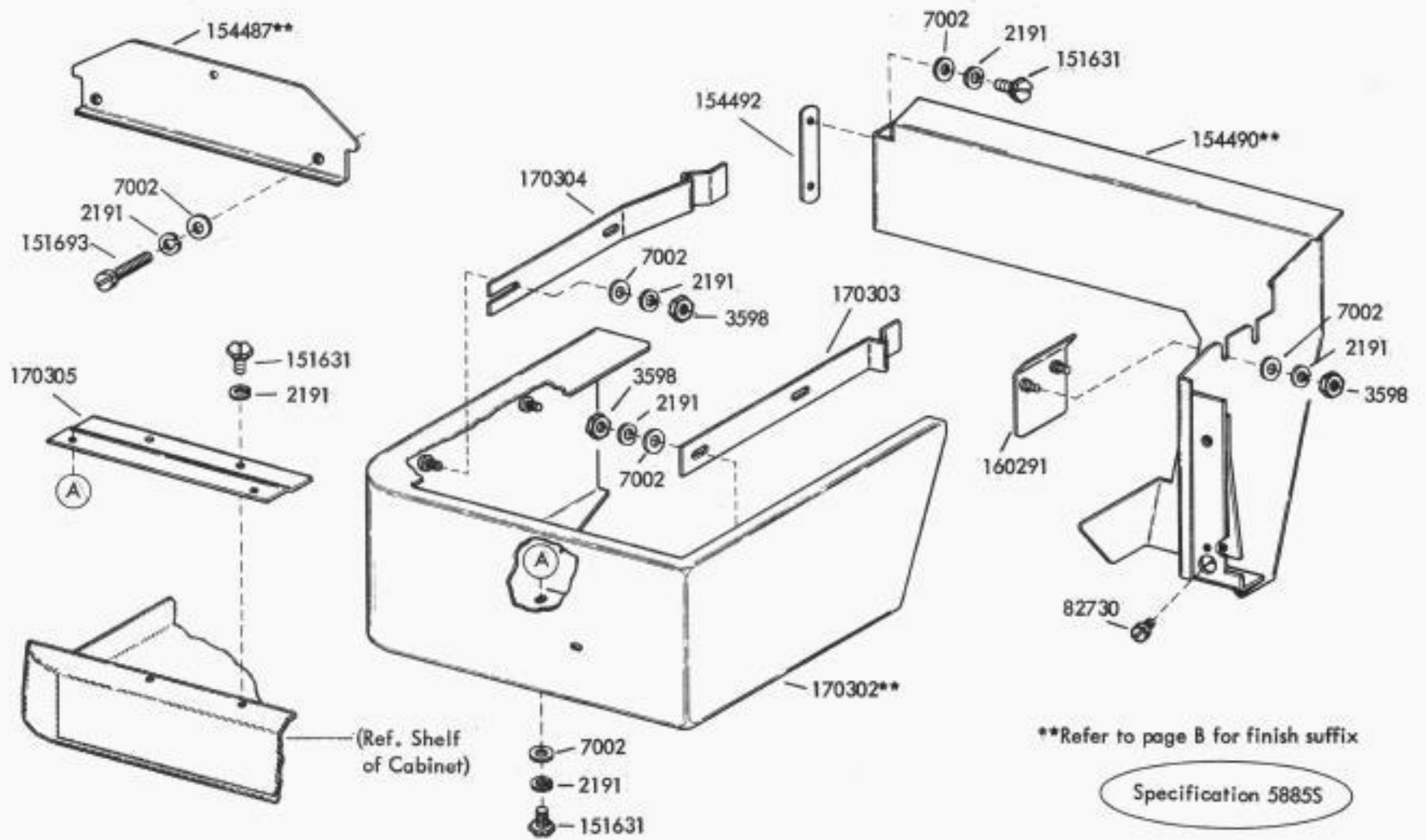


FIGURE 5-18. 170272** MODIFICATION KIT TO PROVIDE DUAL TRANSMITTER DISTRIBUTOR HOUSING

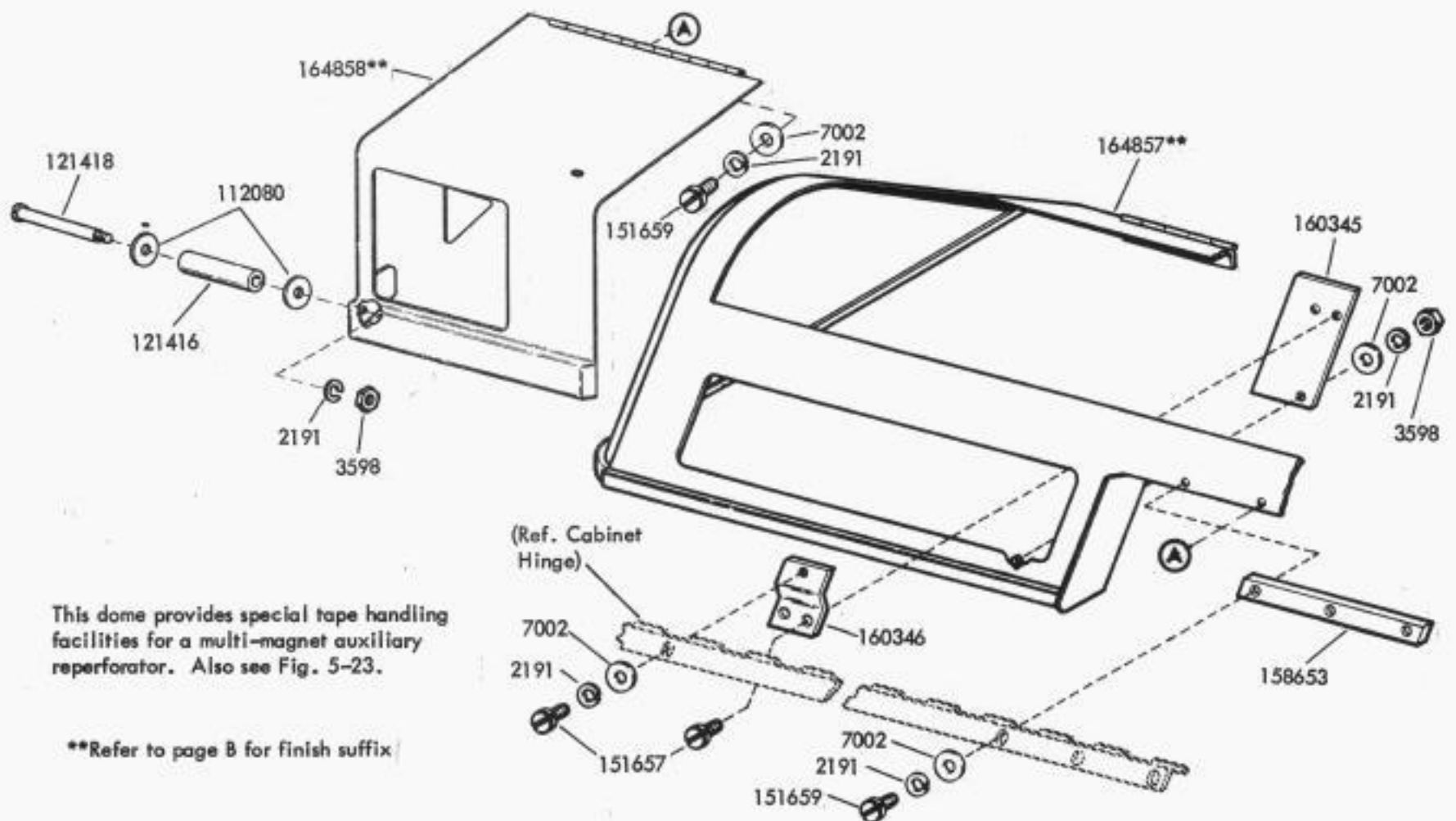


FIGURE 5-19. CABINET DOME VARIABLE FEATURES

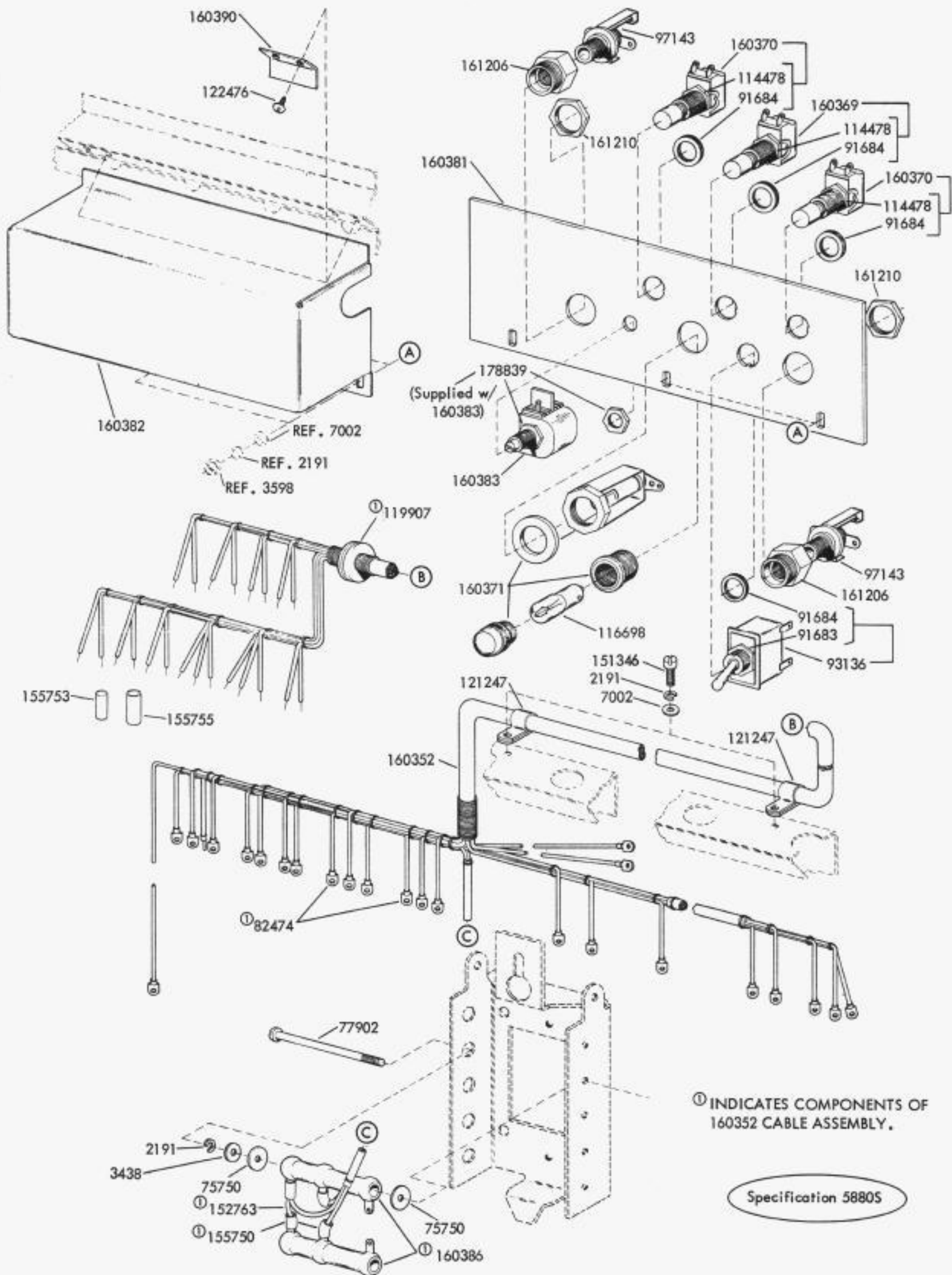


FIGURE 5-20. 160355 MODIFICATION KIT TO PROVIDE CONTROL PANEL FOR TRANSMITTER DISTRIBUTOR

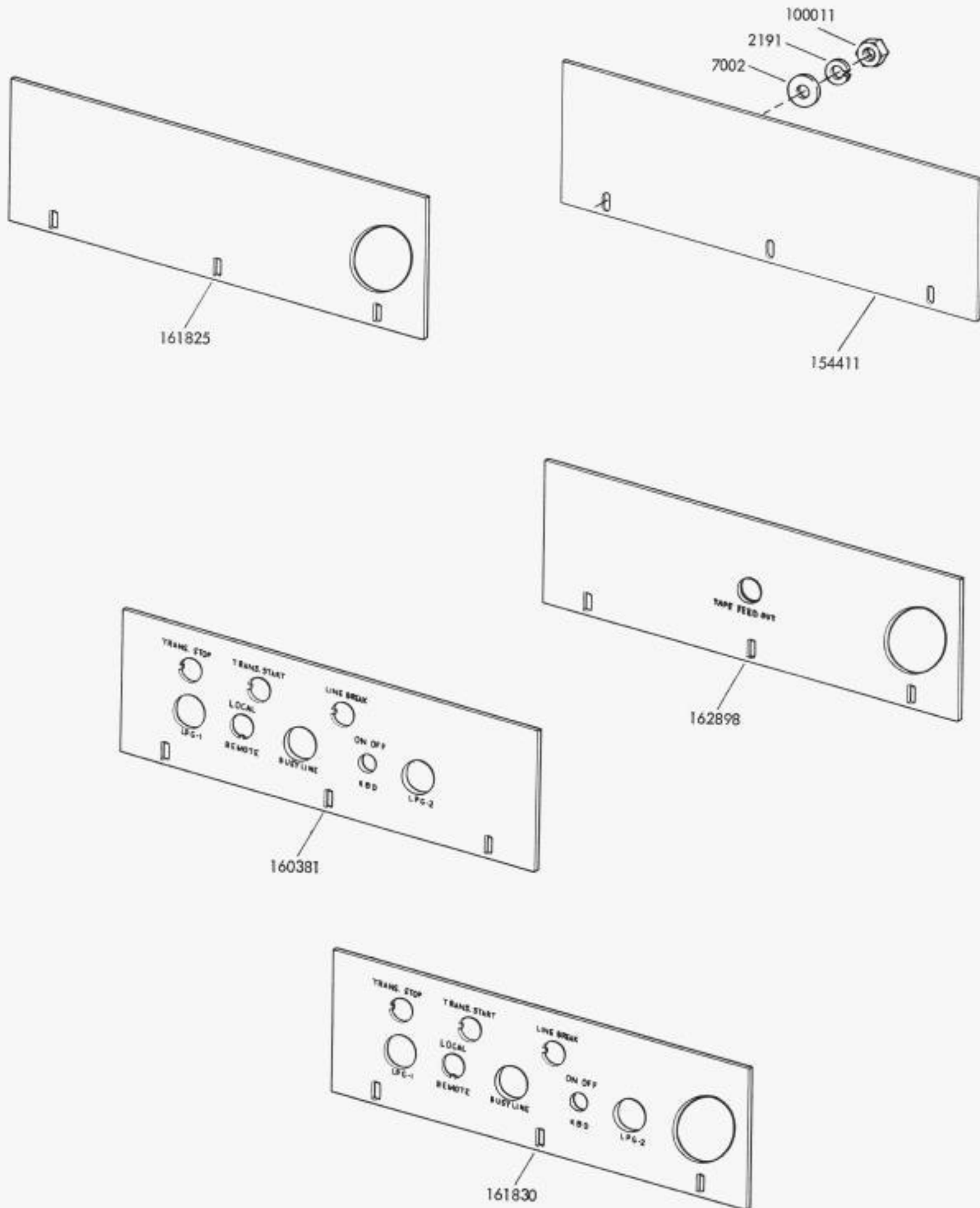


FIGURE 5-21. CONTROL PANELS

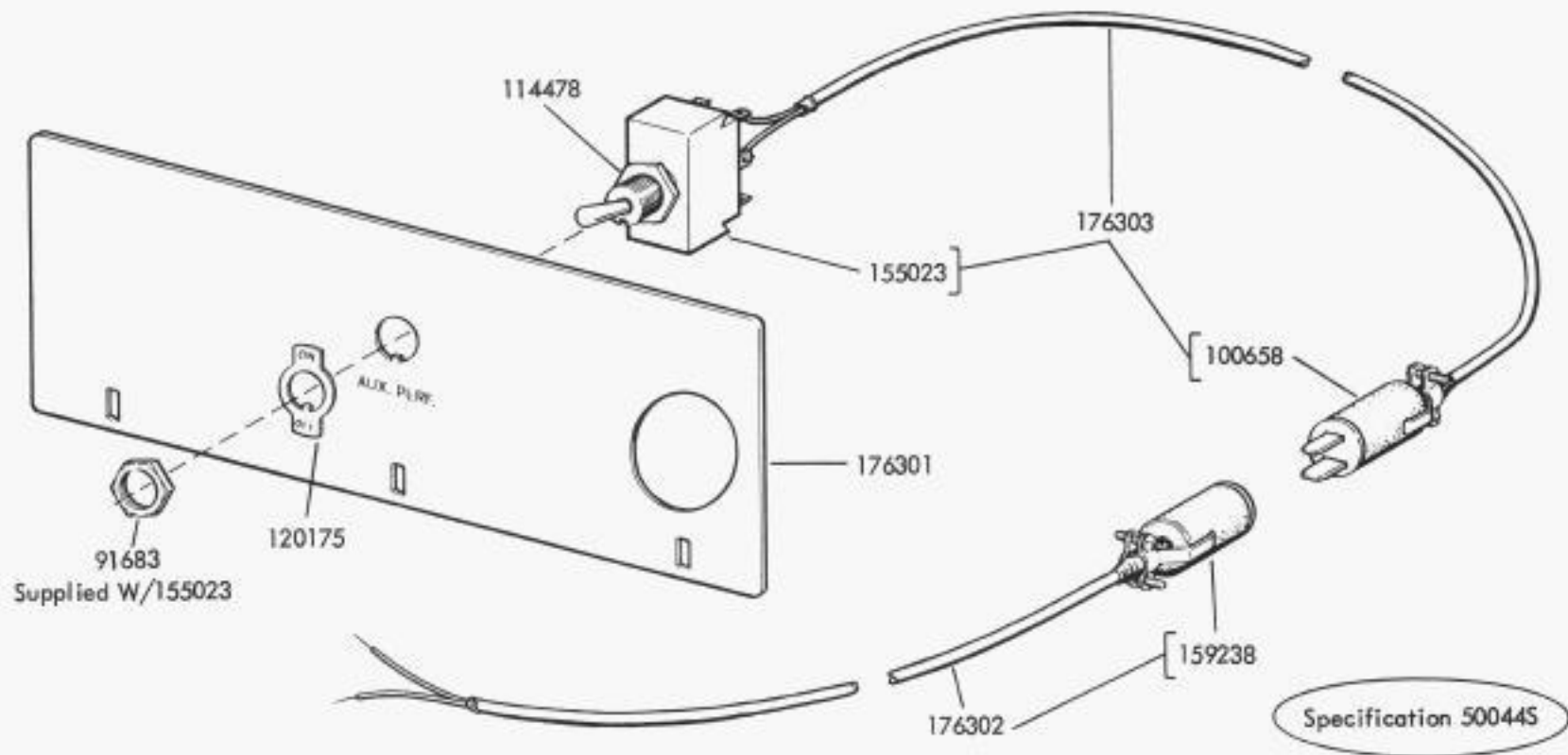


FIGURE 5-22. 176300 MODIFICATION KIT TO PROVIDE AUXILIARY REPERFORATOR MOTOR CONTROL PANEL

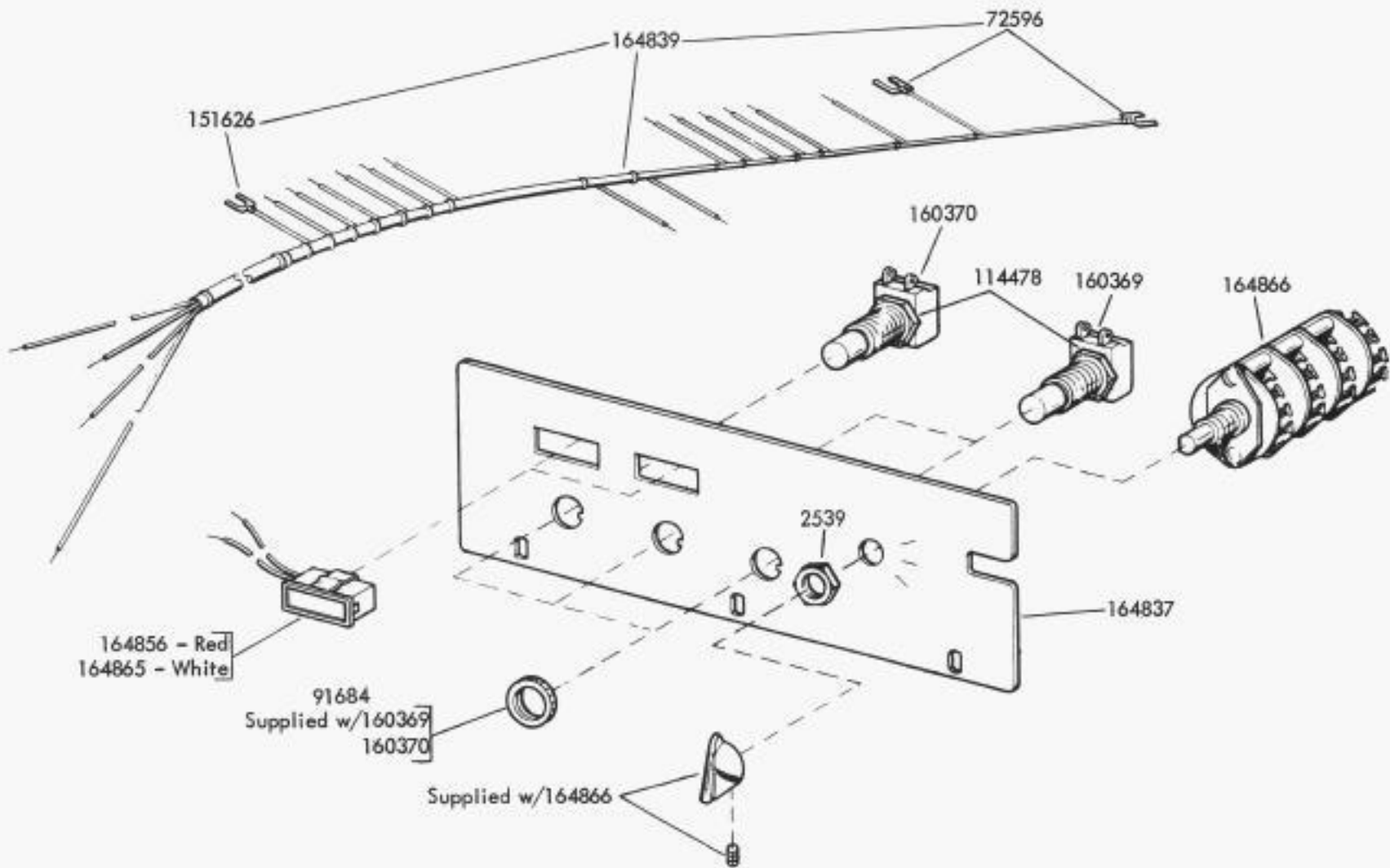


FIGURE 5-23. 164838 CONTROL PANEL ASSEMBLY

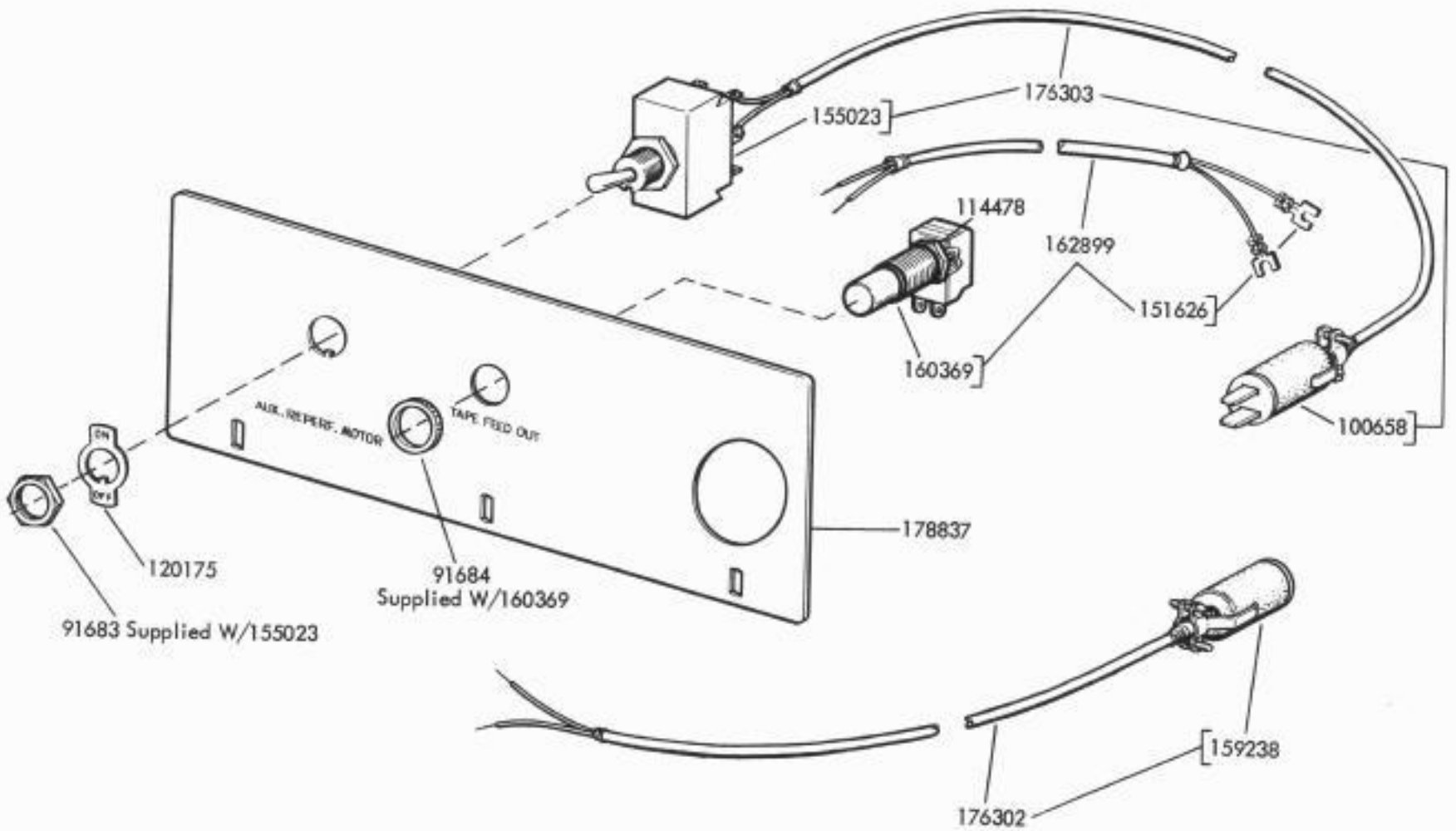


FIGURE 5-24. 178838 MODIFICATION KIT TO RELOCATE POWER SWITCH FROM AUXILIARY BASE TO OUTSIDE OF CABINET

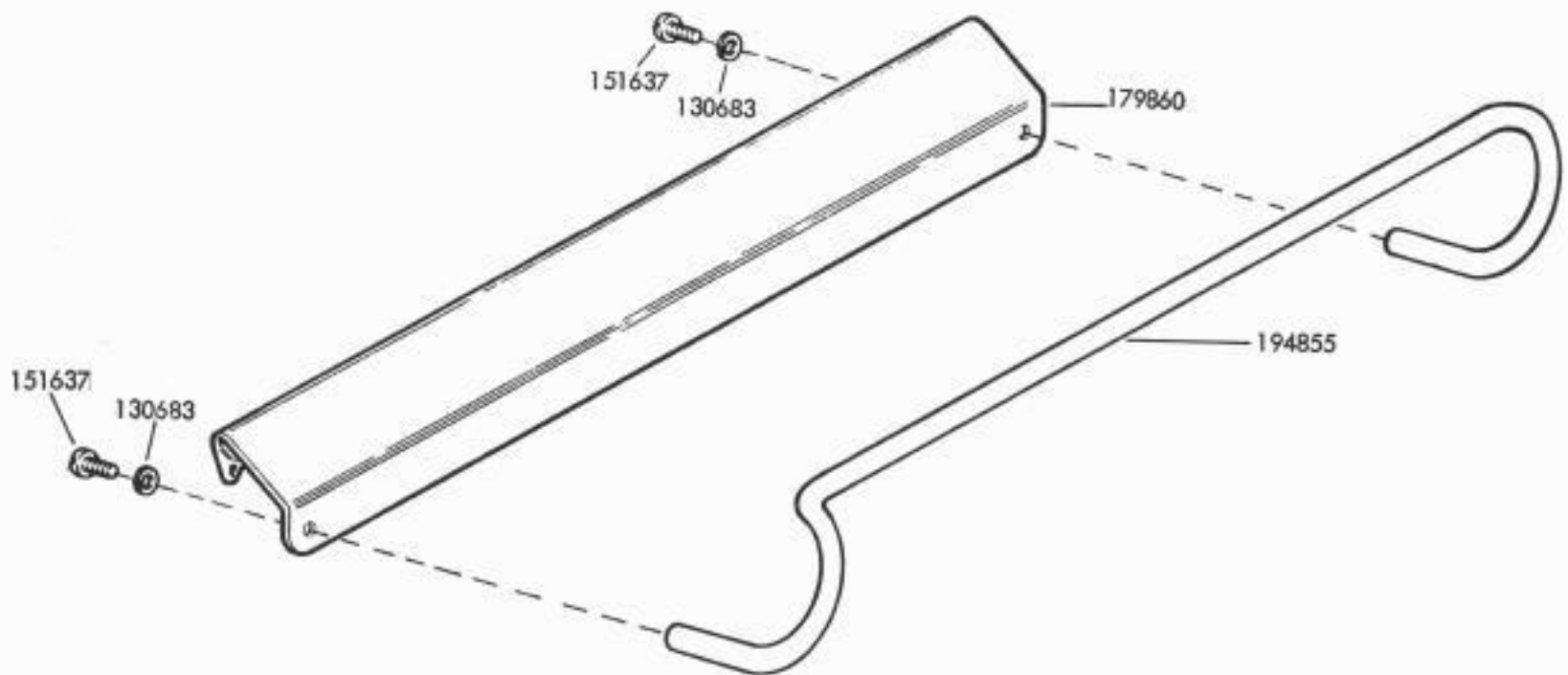


FIGURE 5-25. 194861 MODIFICATION KIT TO PROVIDE TAPE GUIDE

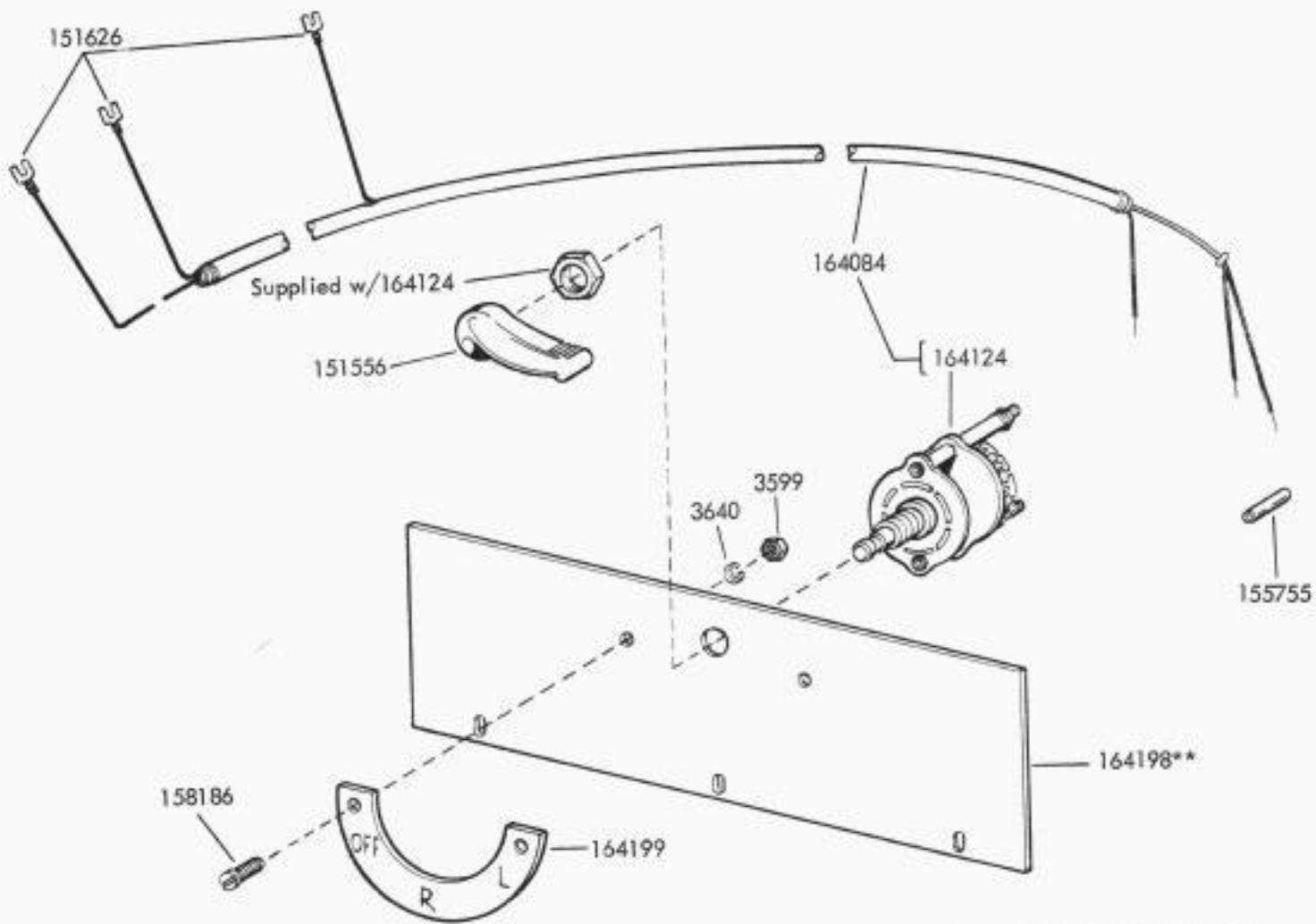


FIGURE 5-26. 164197** MODIFICATION KIT TO PROVIDE CONTROL PANEL

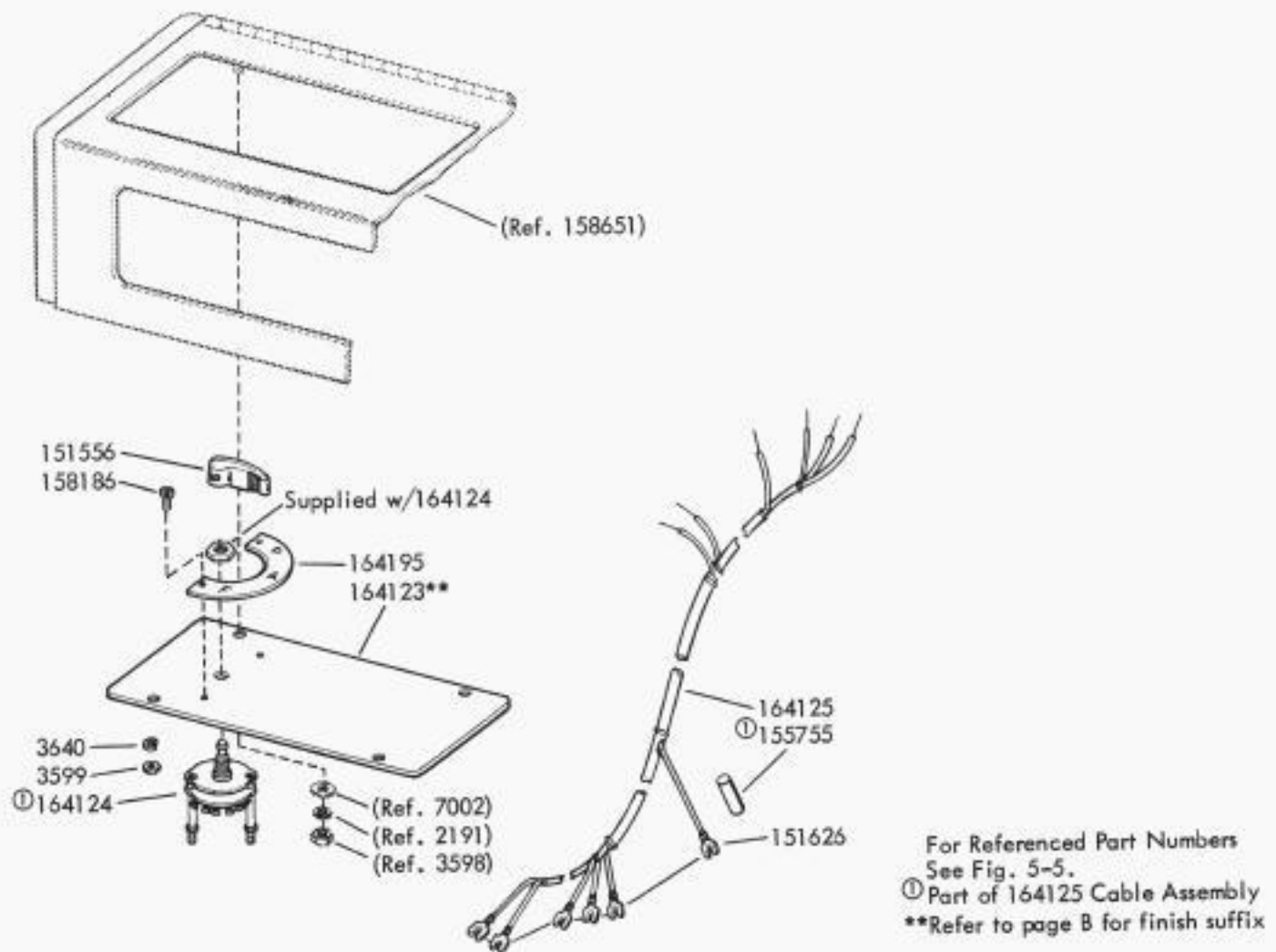
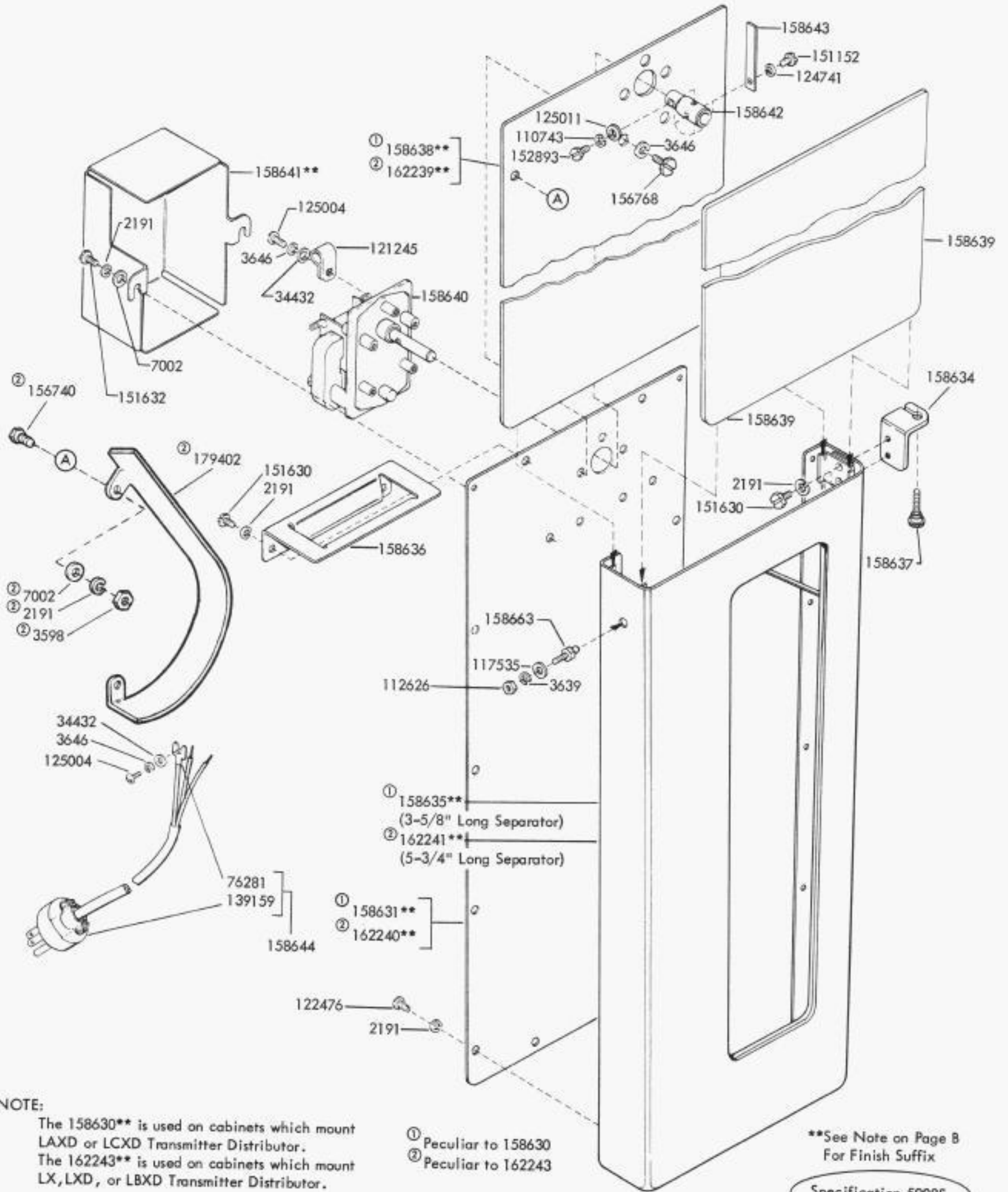


FIGURE 5-27. 164120** MODIFICATION KIT TO PROVIDE CONTROL PANEL



NOTE:

The 158630** is used on cabinets which mount LAXD or LCXD Transmitter Distributor.
The 162243** is used on cabinets which mount LX, LXD, or LBXD Transmitter Distributor.

FIGURE 5-28. 158630** (FOR LAXD, LCXD) AND 162243** (FOR LX, LXD, AND LBXD) TAPE BIN ASSEMBLIES

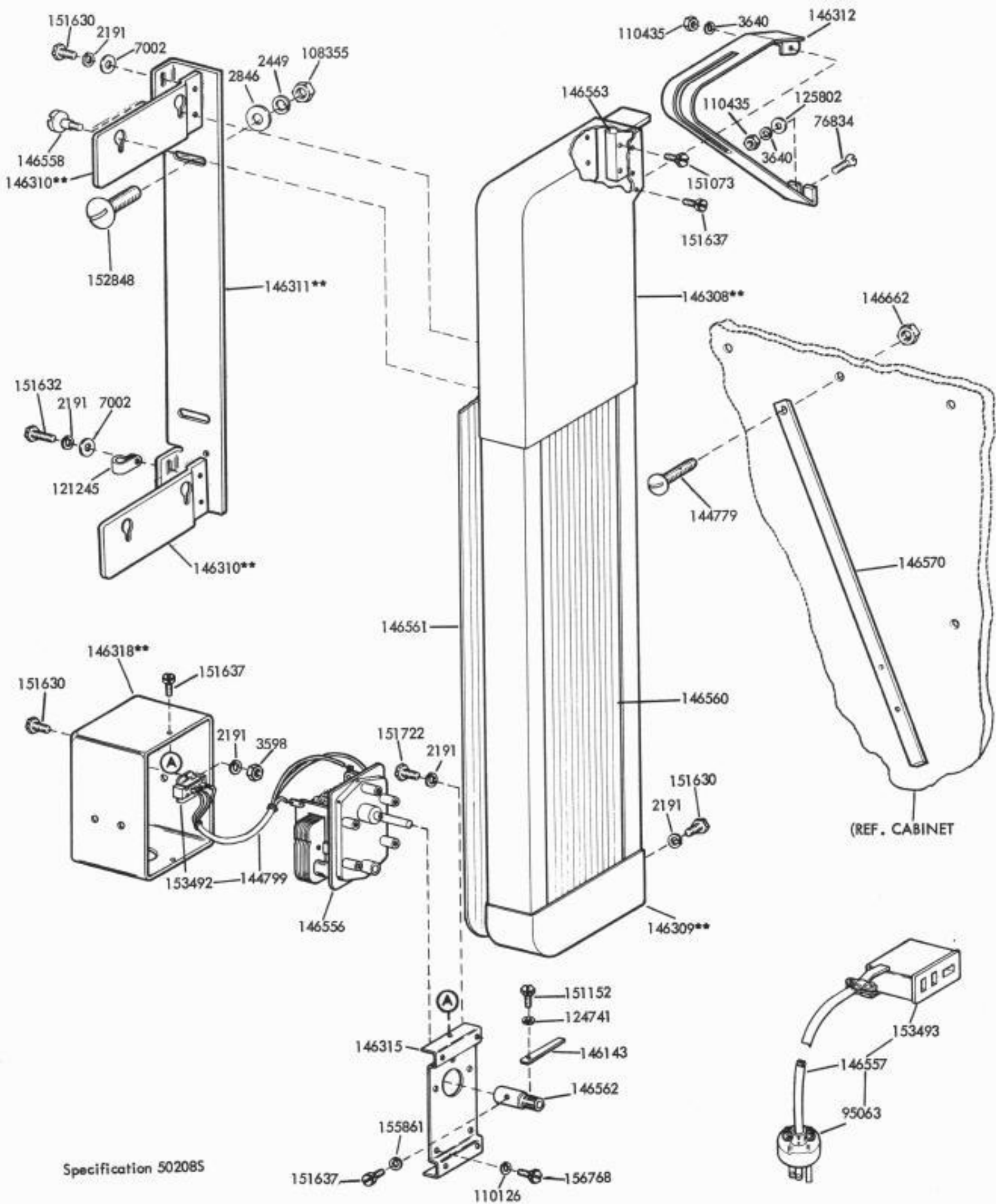


FIGURE 5-29. 145898** MODIFICATION KIT TO PROVIDE A TAPE BIN FOR STORED TAPE OF A MESSAGE IN TRANSMISSION

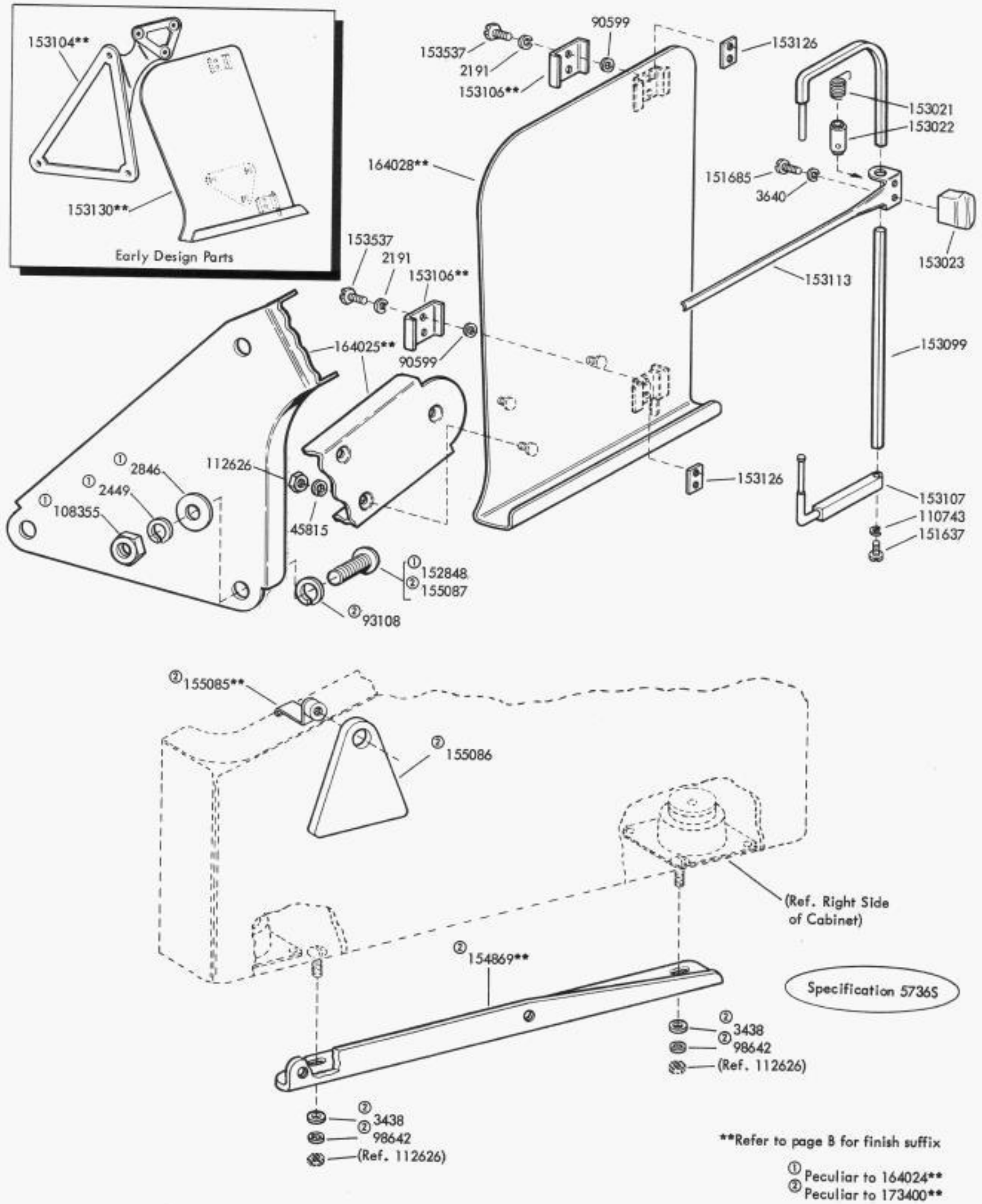


FIGURE 5-30. 164024** (FOR FLOOR MODEL) AND 173400** (FOR TABLE MODEL) MODIFICATION KITS TO PROVIDE OFFSET COPYHOLDER

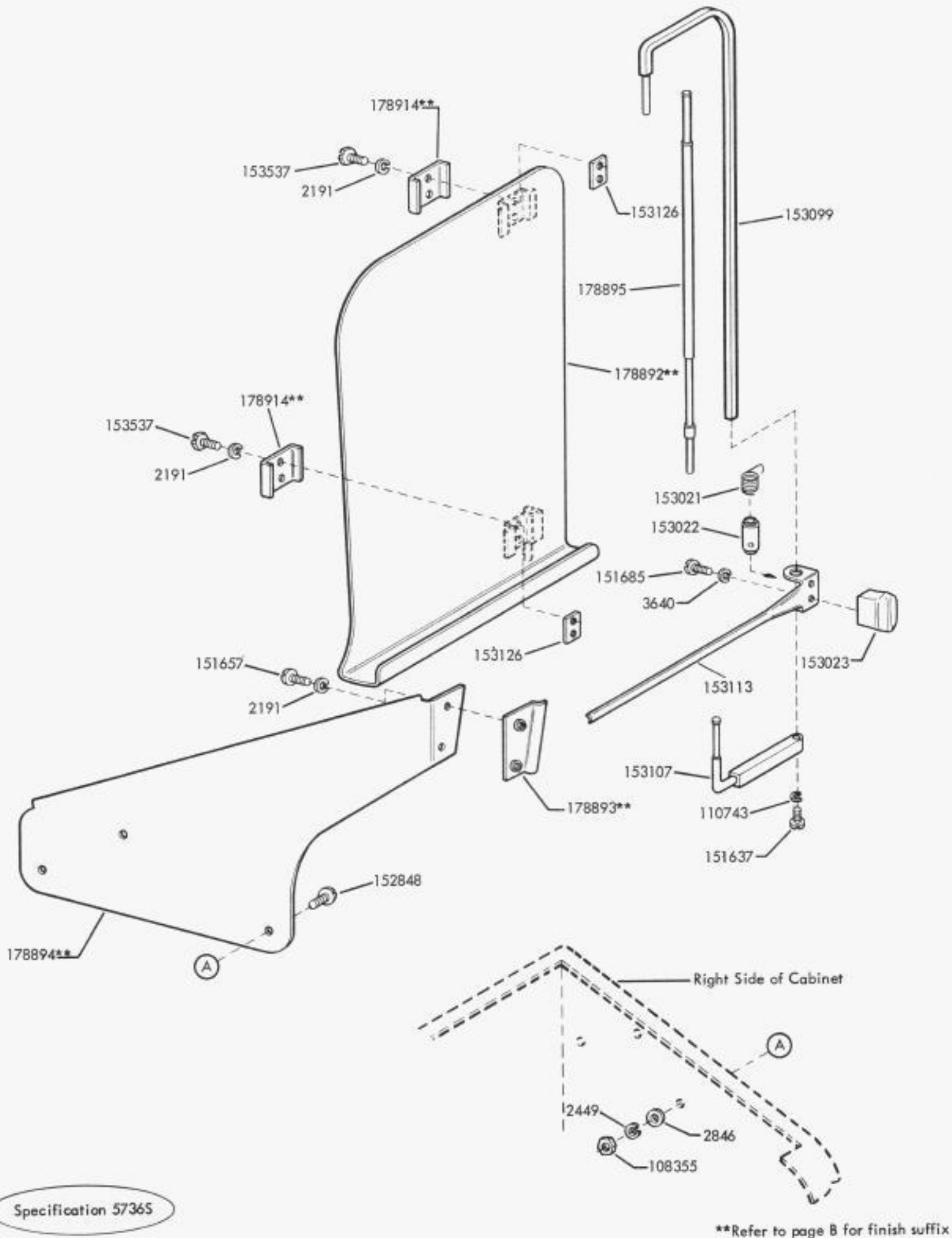


FIGURE 5-31. 178897** MODIFICATION KIT TO PROVIDE A PIVOTED OFFSET COPYHOLDER FOR FLOOR MODEL CABINET

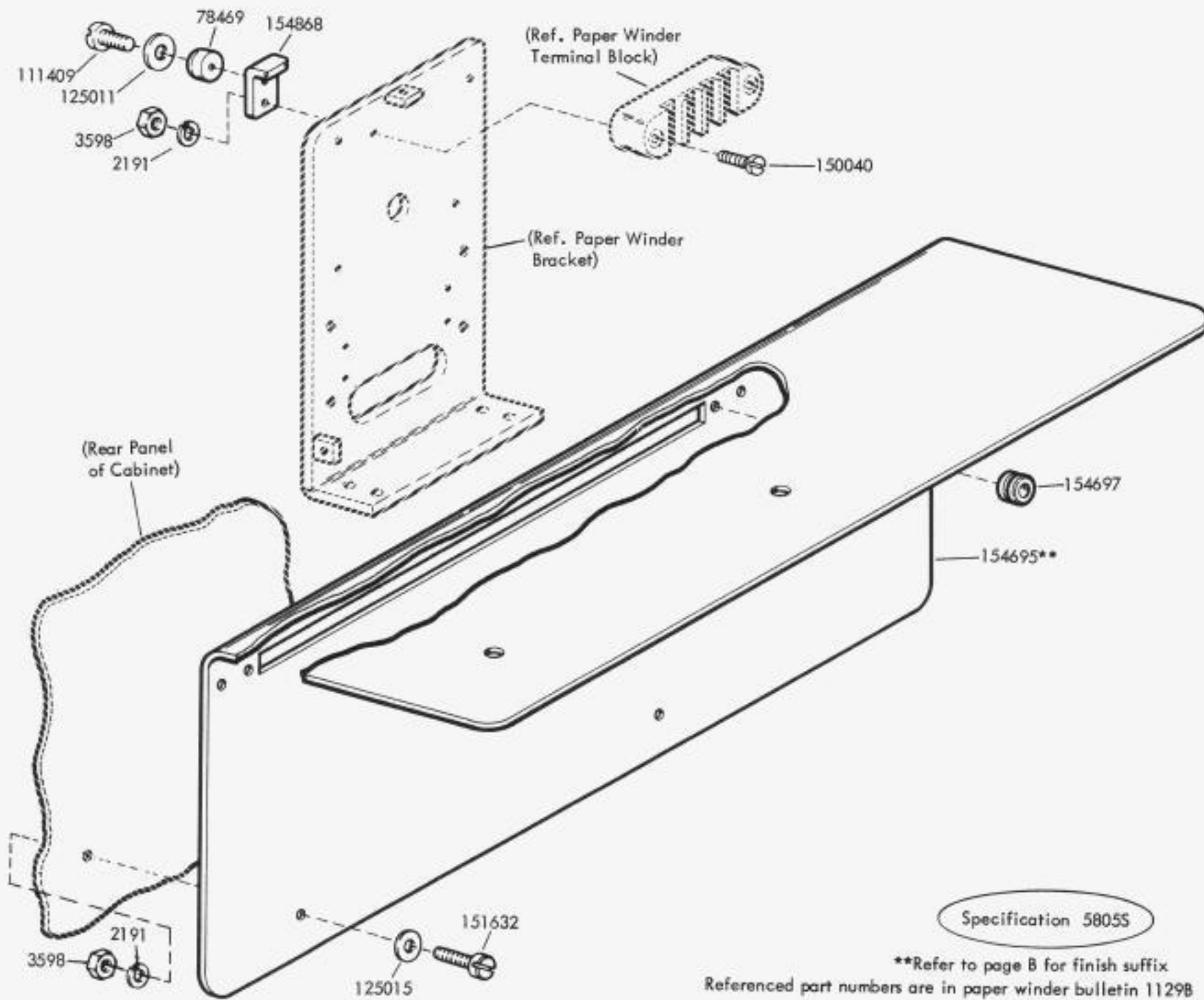


FIGURE 5-32. 153901** MODIFICATION KIT TO PROVIDE A SHELF FOR MOUNTING A PAPER WINDER TO CABINET

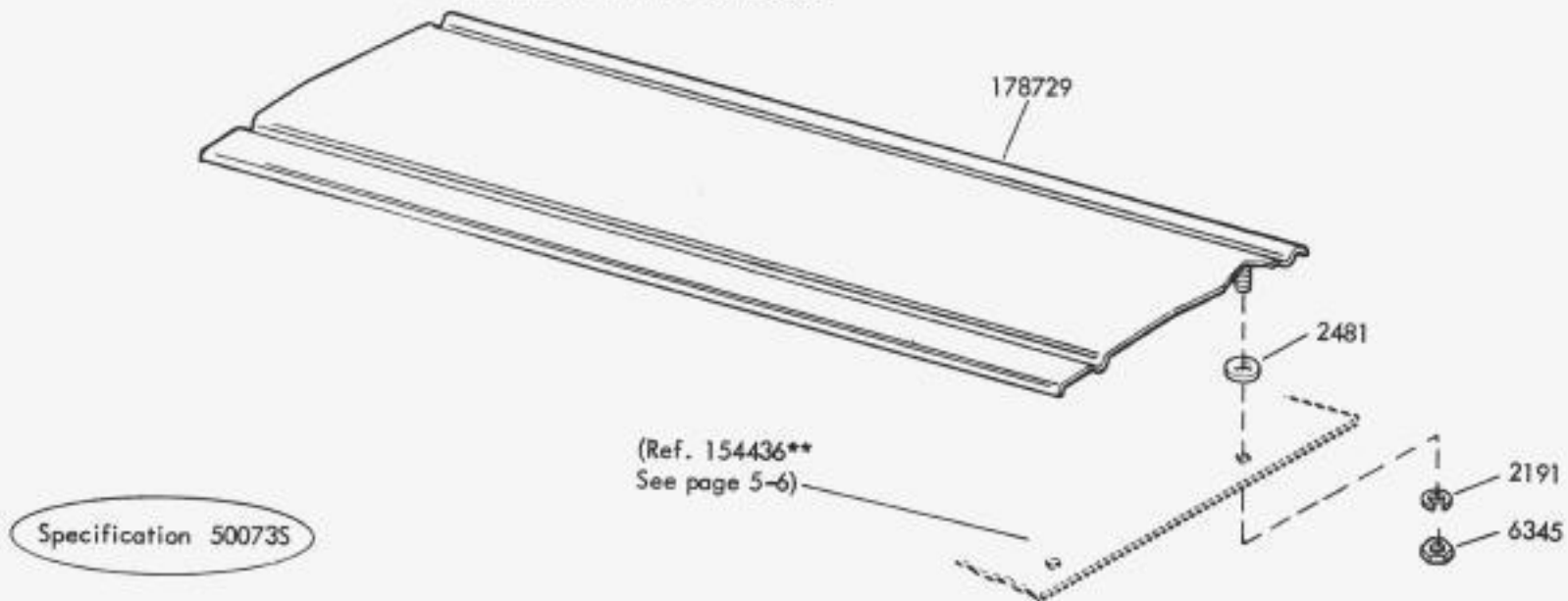


FIGURE 5-33. 174458** MODIFICATION KIT TO PROVIDE CABINET WITH A PAPER TEARING PLATE

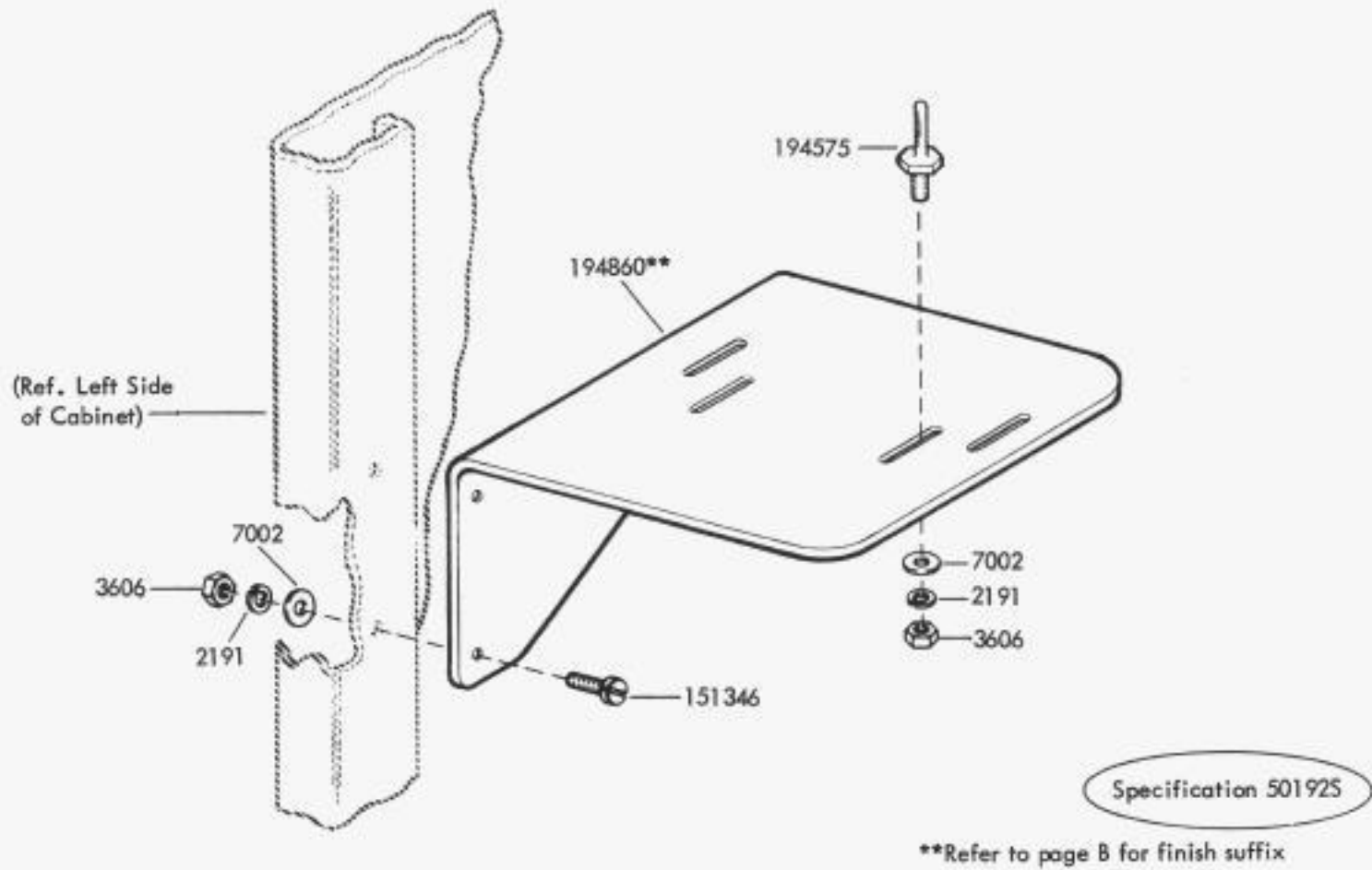


FIGURE 5-34. 194859** MODIFICATION KIT TO PROVIDE SHELF FOR TAPE WINDER OR TAPE UNWINDER

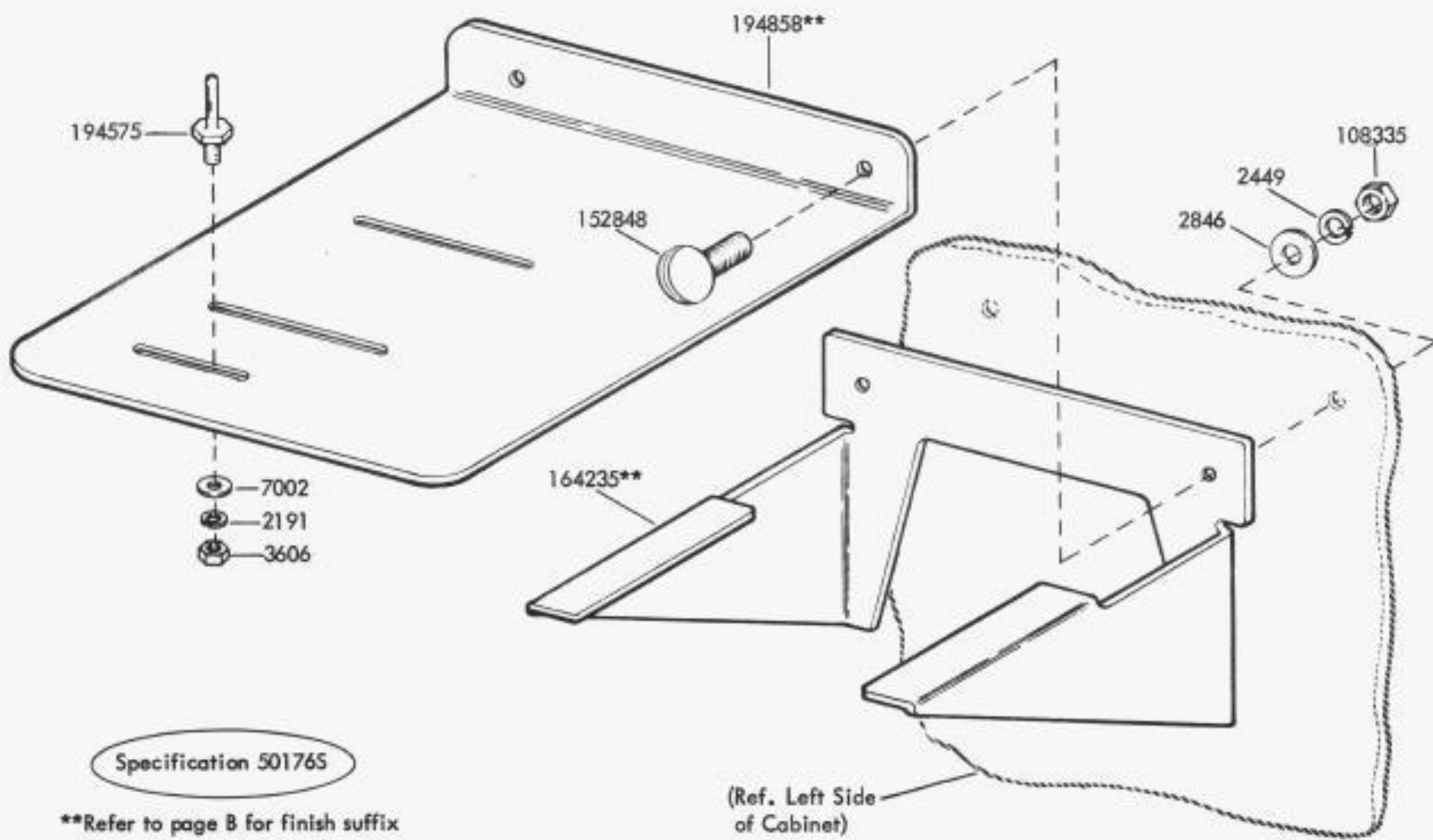
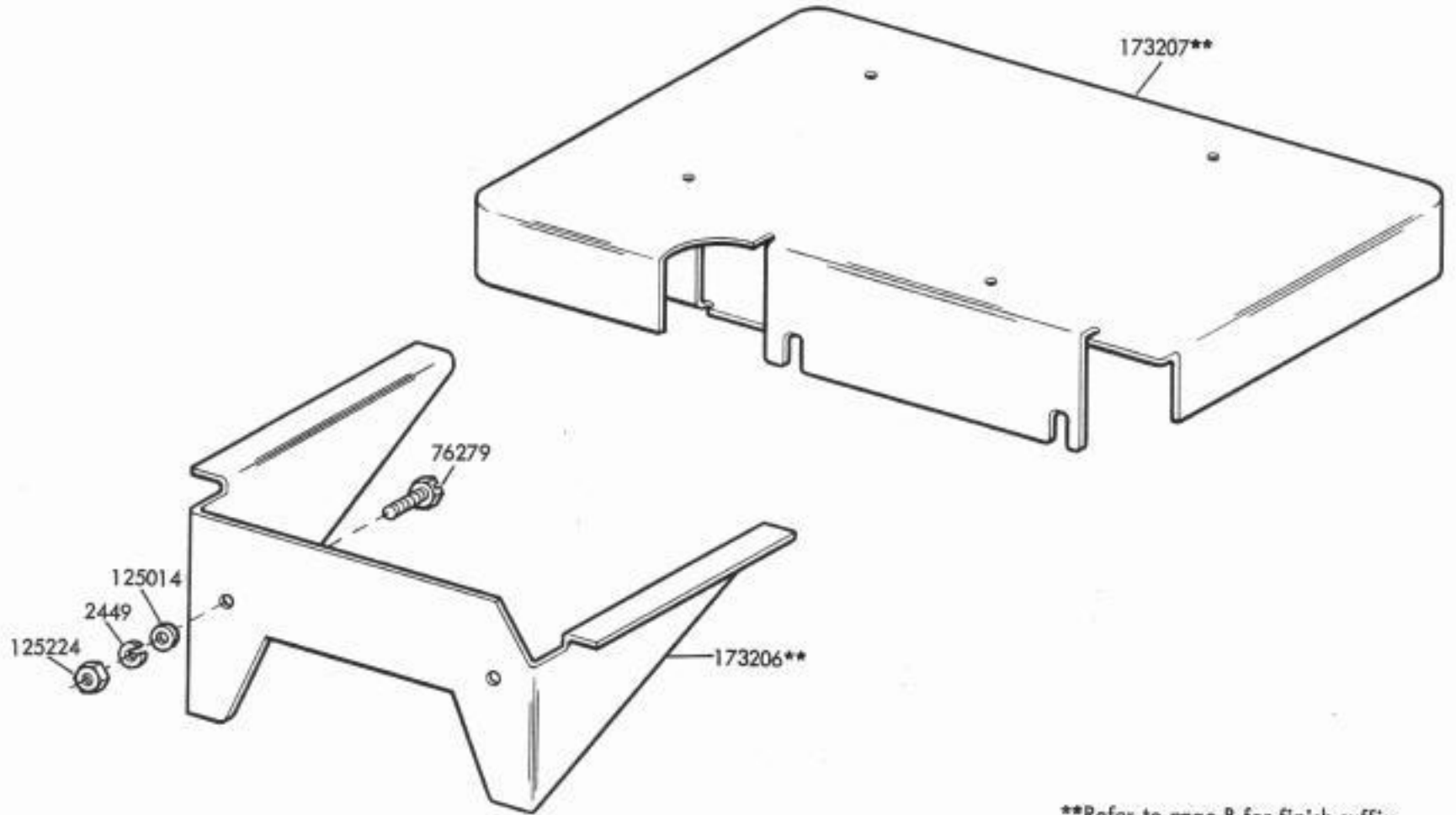
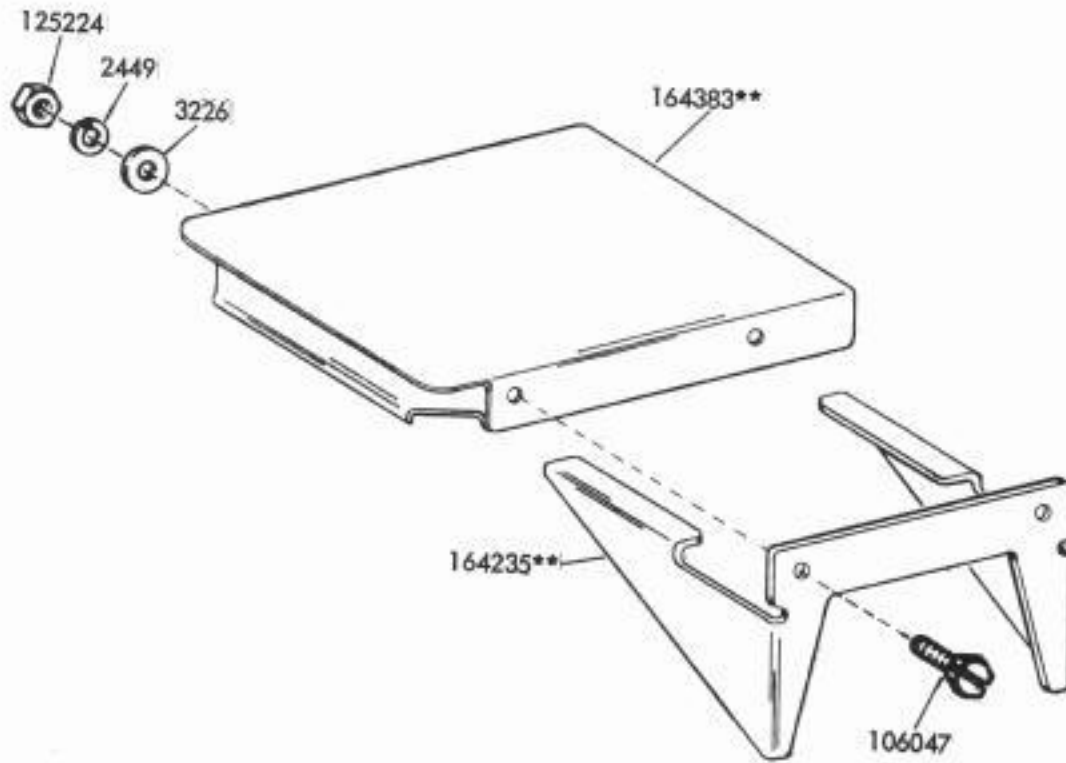


FIGURE 5-35. 194857** MODIFICATION KIT TO PROVIDE SHELF FOR SINGLE REEL TAPE WINDER



**Refer to page B for finish suffix

FIGURE 5-36. 173097** MODIFICATION KIT TO PROVIDE A MOUNTING SHELF FOR LEFT SIDE OF CABINET



**Refer to page B for finish suffix

FIGURE 5-37. 163796** MODIFICATION KIT TO PROVIDE A TELEPHONE MOUNTING SHELF FOR CABINET

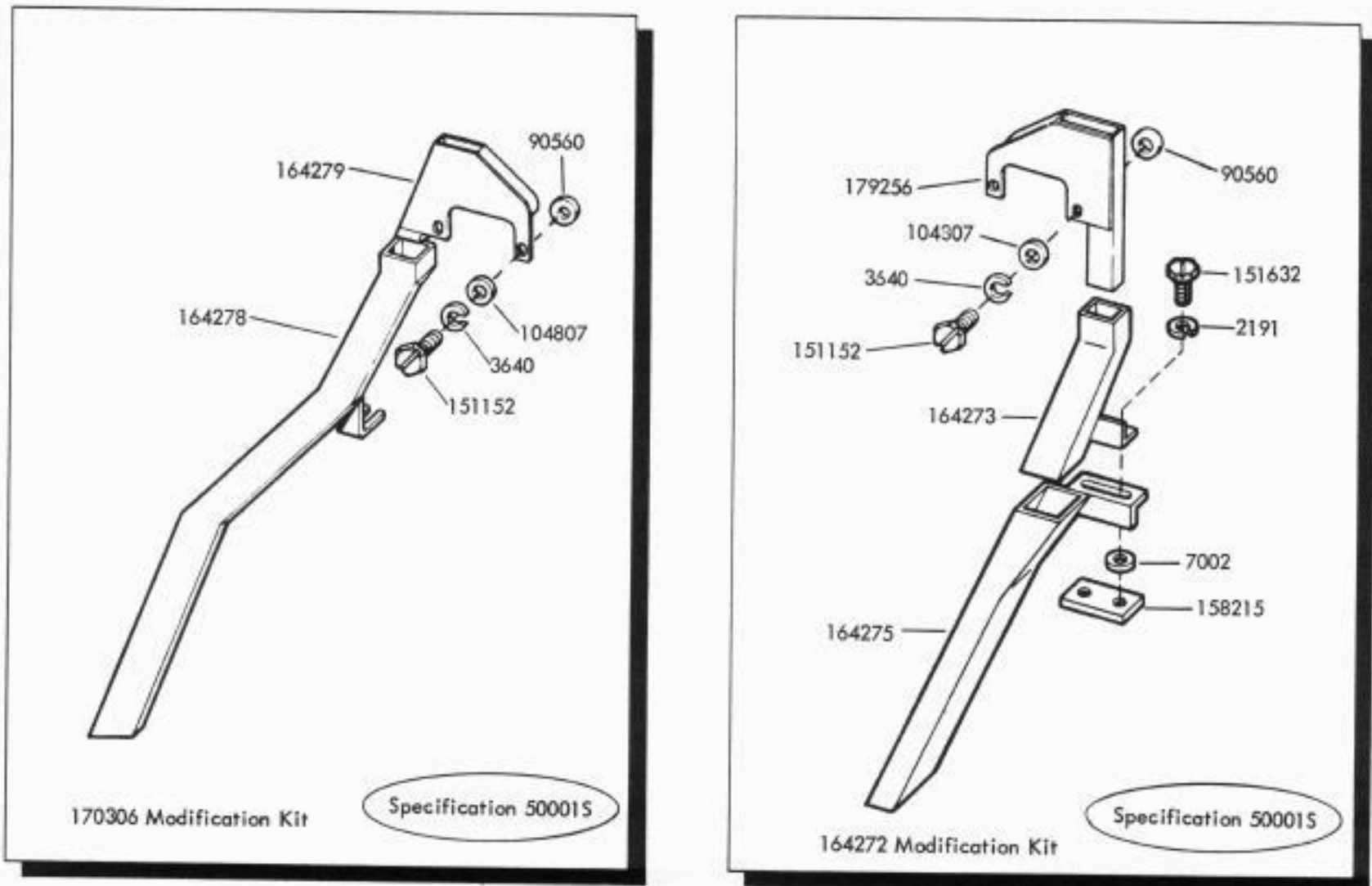
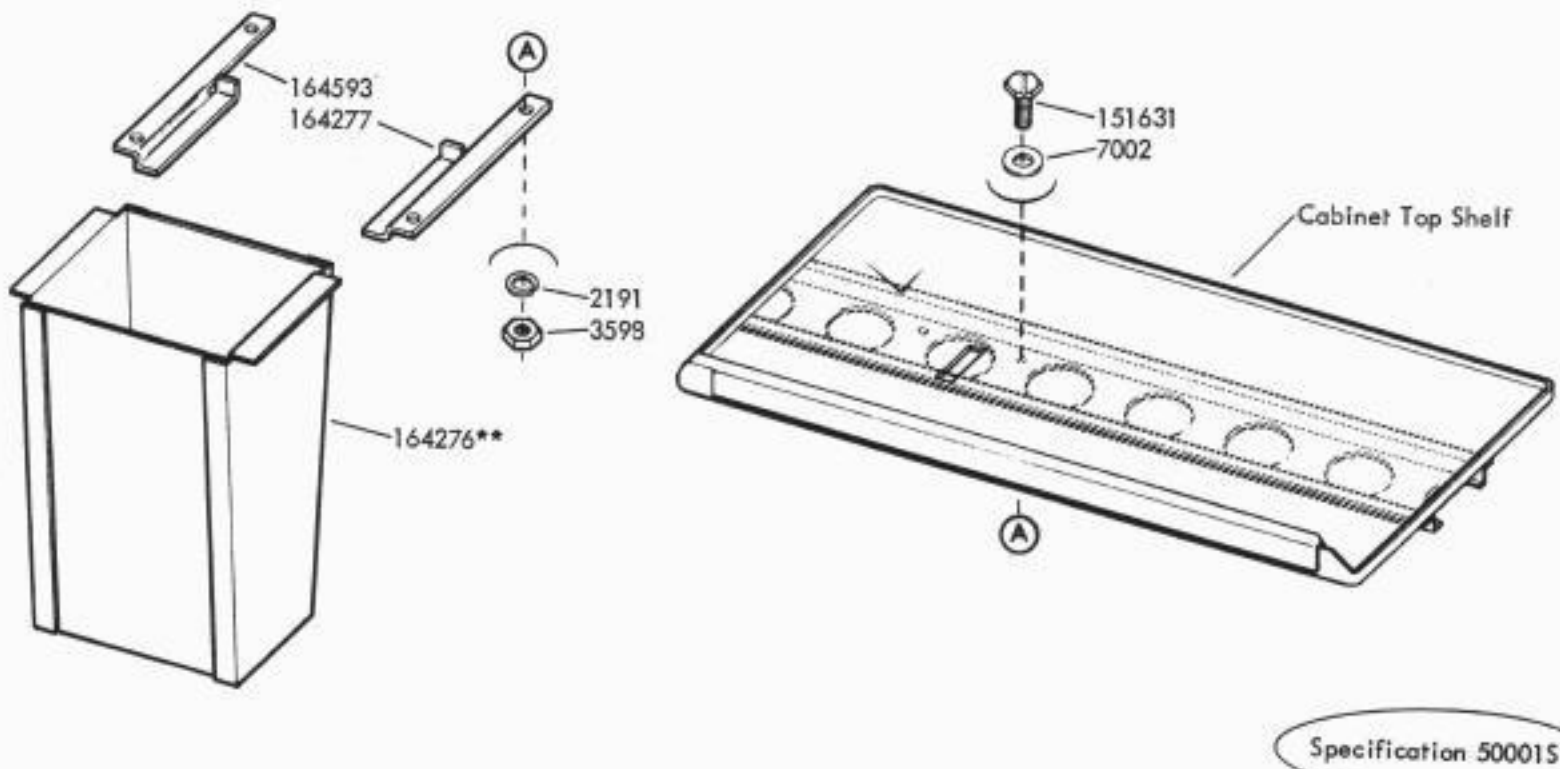
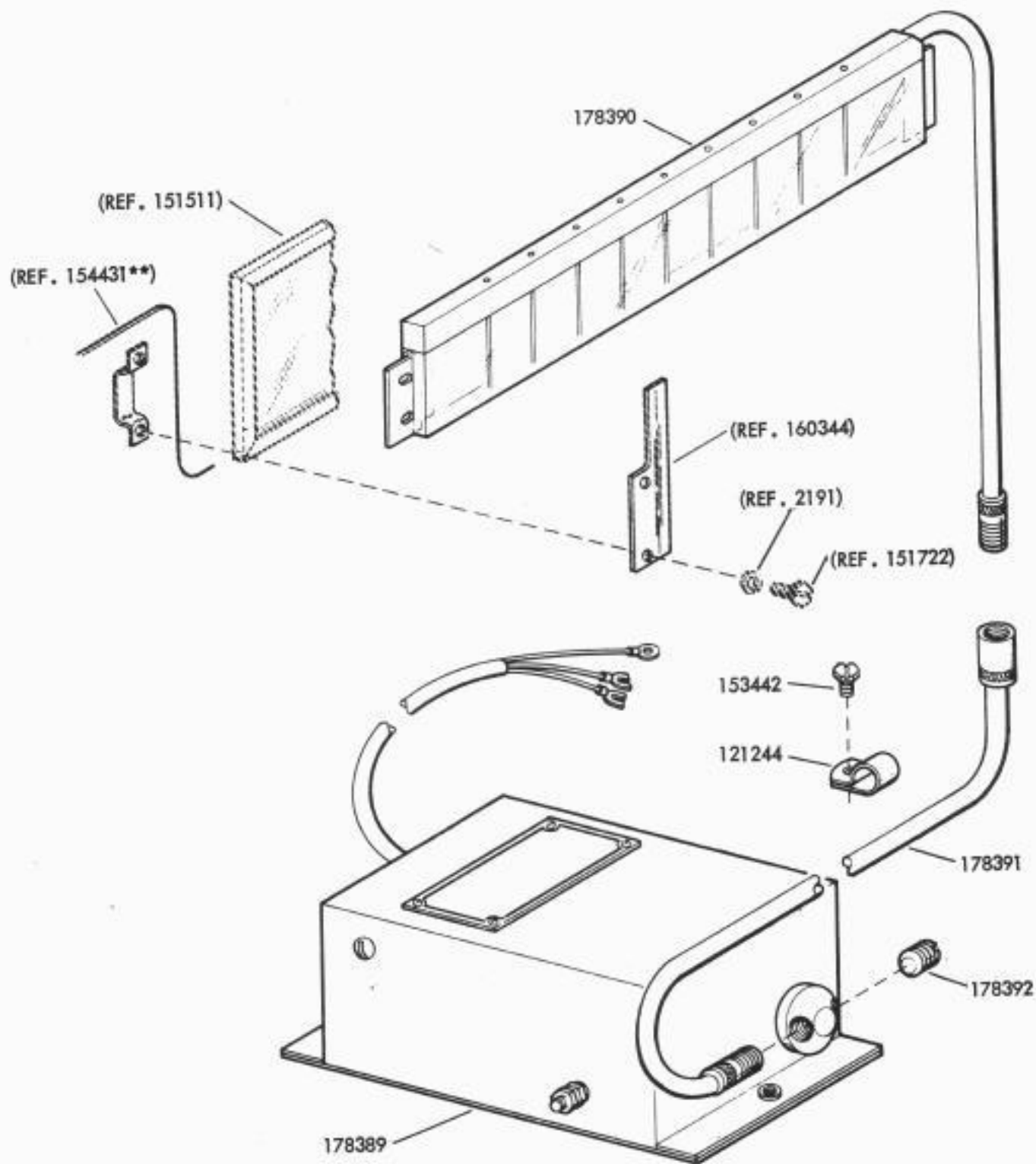


FIGURE 5-40. 164272 (FOR AUXILIARY REPERFORATOR) AND 170306 (FOR KEYBOARD REPERFORATOR) MODIFICATION KITS TO PROVIDE CHAD DISPOSAL



**Refer to page B for finish suffix

FIGURE 5-41. 164405** MODIFICATION KIT TO PROVIDE CHAD CONTAINER FOR THE AUXILIARY REPERFORATOR AND/OR KEYBOARD REPERFORATOR



NOTE:
For referenced part numbers
see page 5-6.

FIGURE 5-42. 178387 MODIFICATION KIT TO PROVIDE HIGH VOLTAGE STATIC ELIMINATOR TO NEUTRALIZE ELECTROSTATIC CHARGE ON PAGE COPY

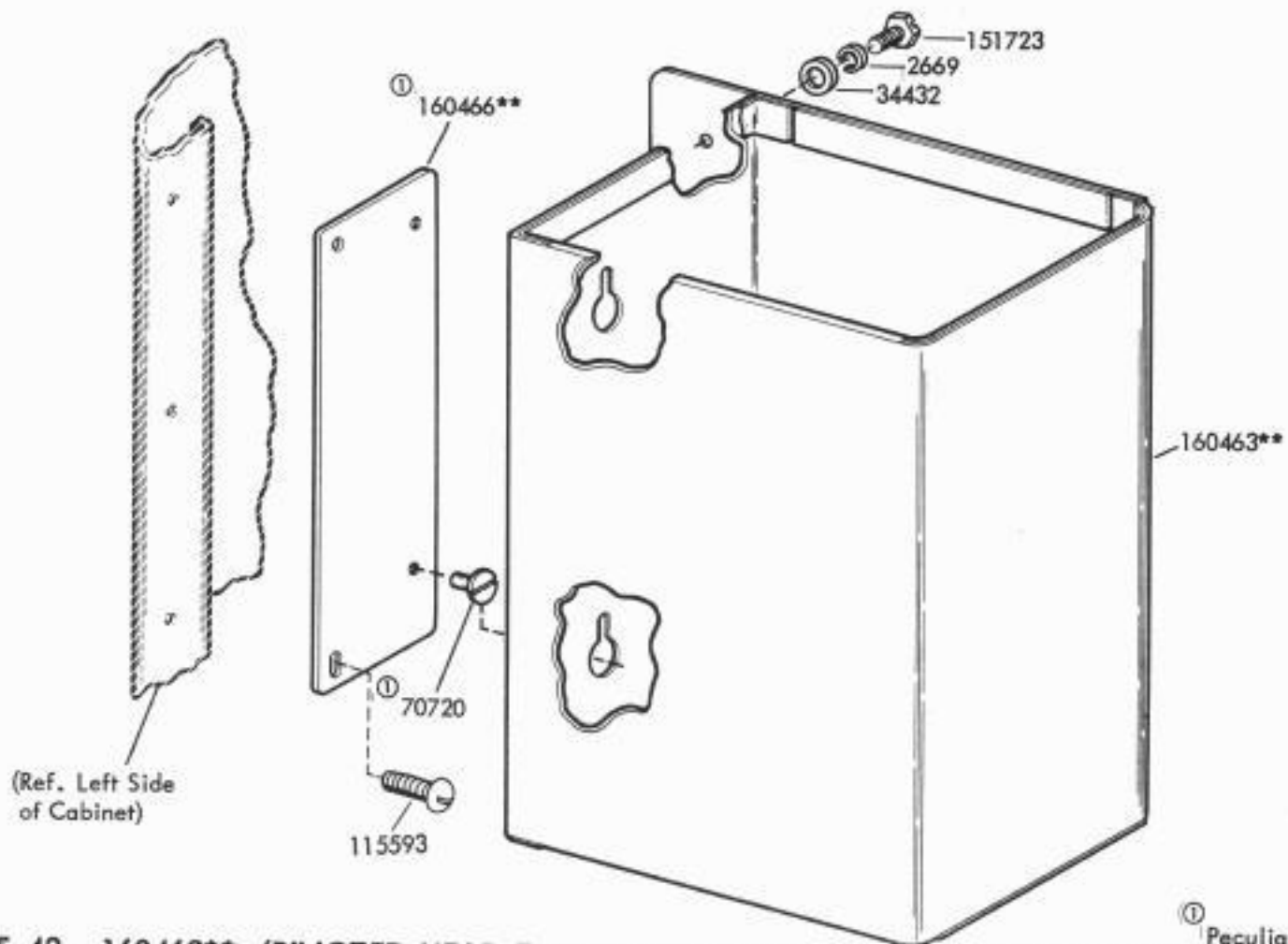


FIGURE 5-43. 160468** (PIVOTED HEAD TRANSMITTER) AND 160470** (FIXED HEAD TRANSMITTER) MODIFICATION KITS TO PROVIDE TAPE BASKET

① Peculiar to 160470**

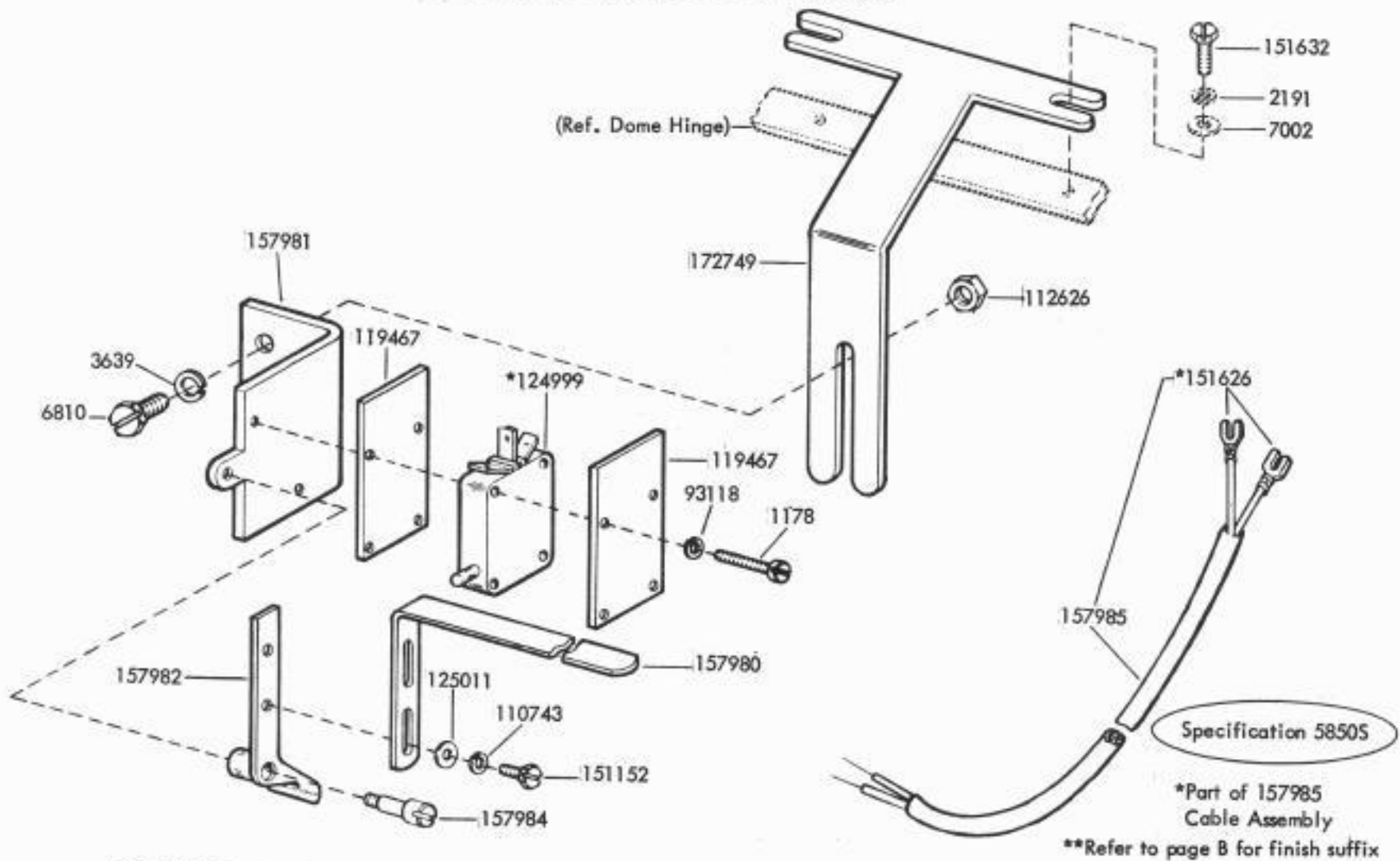


FIGURE 5-44. 154756 MODIFICATION KIT TO PROVIDE FORM-OUT ALARM

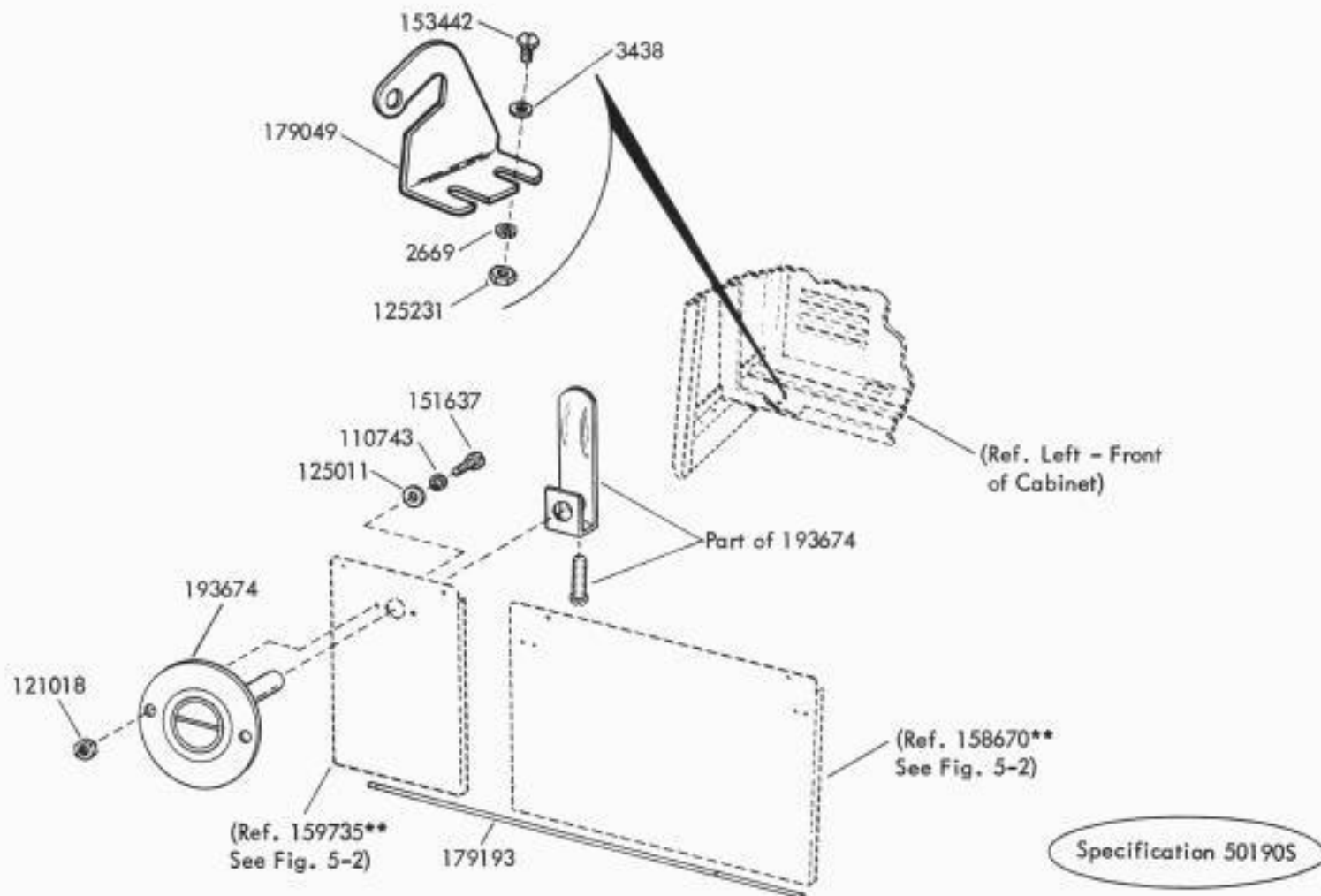


FIGURE 5-45. 193675 MODIFICATION KIT TO PROVIDE CABINET WITH TWO HINGED PANELS IN LOWER CAVITY

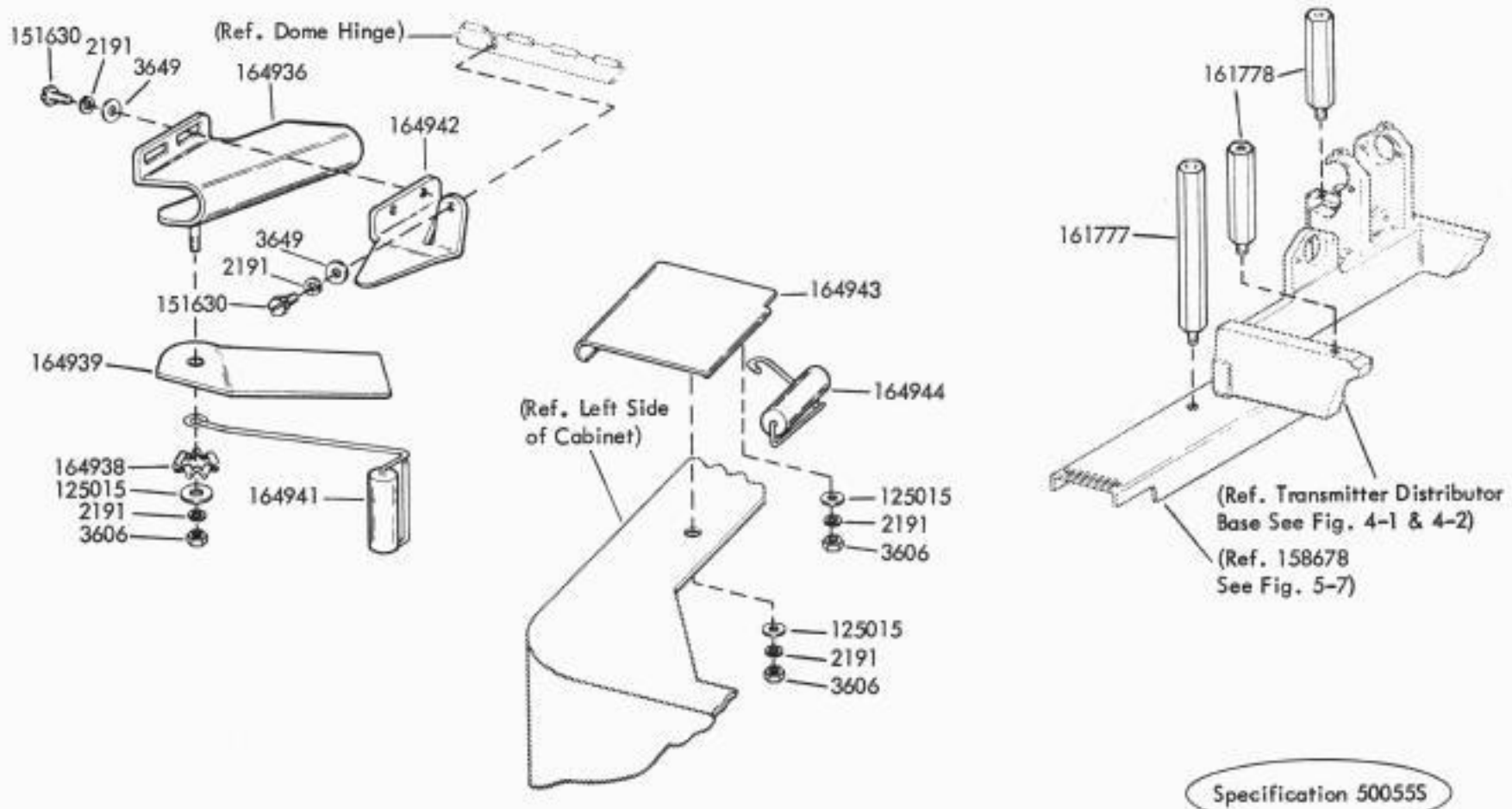


FIGURE 5-46. 161814 MODIFICATION KIT TO MOUNT AN AUXILIARY TYPING REPERFORATOR BASE AND PROVIDE TAPE GUIDE

**Refer to page B for finish suffix

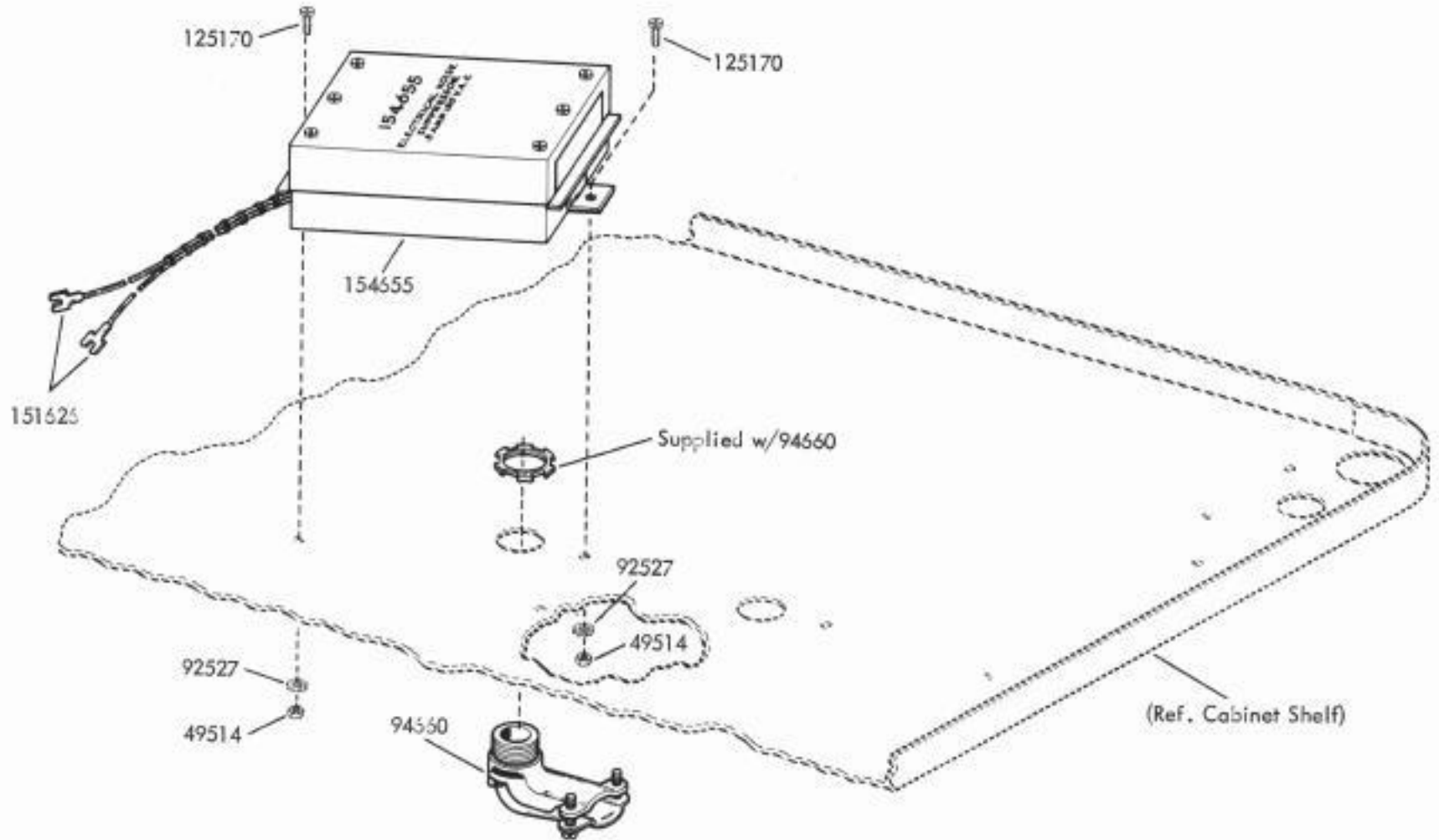


FIGURE 5-47. 154651 MODIFICATION KIT TO ADD SIGNAL LINE ELECTRICAL NOISE SUPPRESSOR (D.C.)

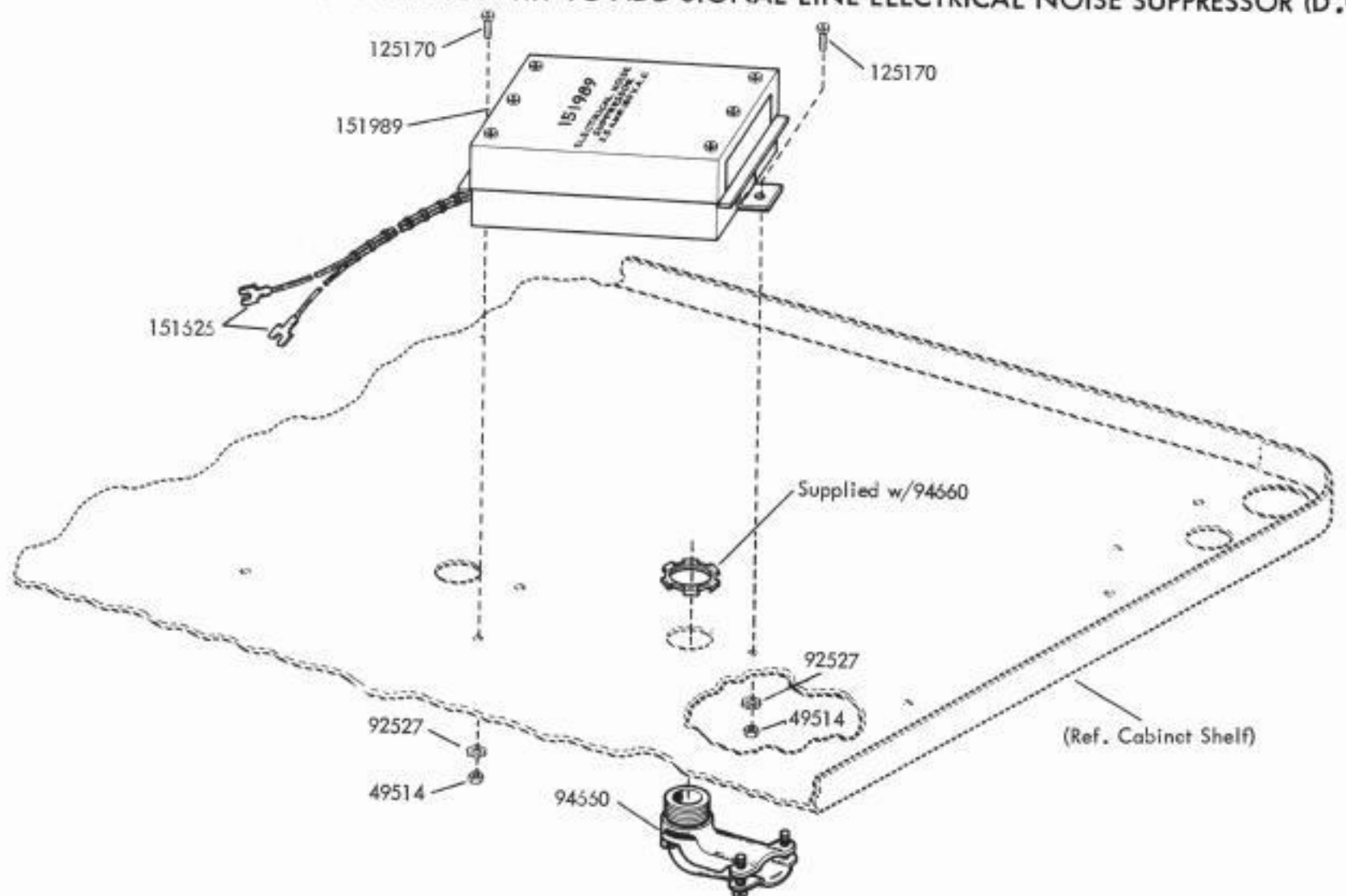


FIGURE 5-48. 151988 MODIFICATION KIT TO ADD POWER LINE ELECTRICAL NOISE SUPPRESSOR

CABLE ASSEMBLIES																			
	154440 Cabinet Lights Switch	159329 Tape Winder	159330 Resistor Pack	160338 Auxiliary Dome	160352 Control Board	164121 Cabinet Indicator Lights - Green	164281 Keyboard	173458 Keyboard	164282 Page Printer	173455 Page Printer	164283 Transmitter Distributor Base	173456 Transmitter Distributor Base	164234 Auxiliary Typing Reperforator Base	173457 Auxiliary Typing Reperforator Base	164467 Code Reading	164403 Power Switch	173781 Motor & Margin Indicator	153487 Margin Indicator	Wiring Diagram
LAAC200**	X	X	X																3264WD
LAAC201**	X	X	X																3264WD
LAAC202**	X	X	X																3264WD
LAAC205**	X	X	X																3264WD
LAAC206**	X			X	X														3455WD
LAAC207**	X	X	X																3491WD
LAAC209**	X	X	X																3264WD
LAAC210**	X	X	X																3264WD
LAAC213**	X	X	X																3264WD
LAAC214**	X	X	X																3264WD
LAAC219**	X	X	X																3264WD
LAAC222**	X	X	X			X													3771WD
LAAC223**	X	X	X			X													3771WD
LAAC225**	X	X	X																3264WD
LAAC226**	X						X		X		X		X		X				3803WD 3801WD
LAAC229**	X							X		X		X		X			X		4267WD
LAAC230**	Not Wired																		—
LAAC231**																			4322WD
LAAC233**	X	X																	4337WD
LAAC234**	X	X	X																3264WD
LAAC235**	X	X	X																3264WD
LAAC236**	X	X	X																3264WD
LAAC237**	X	X	X																3264WD
LAAC241**																			4750WD

FIGURE 5-49. CABINET CABLE ASSEMBLIES

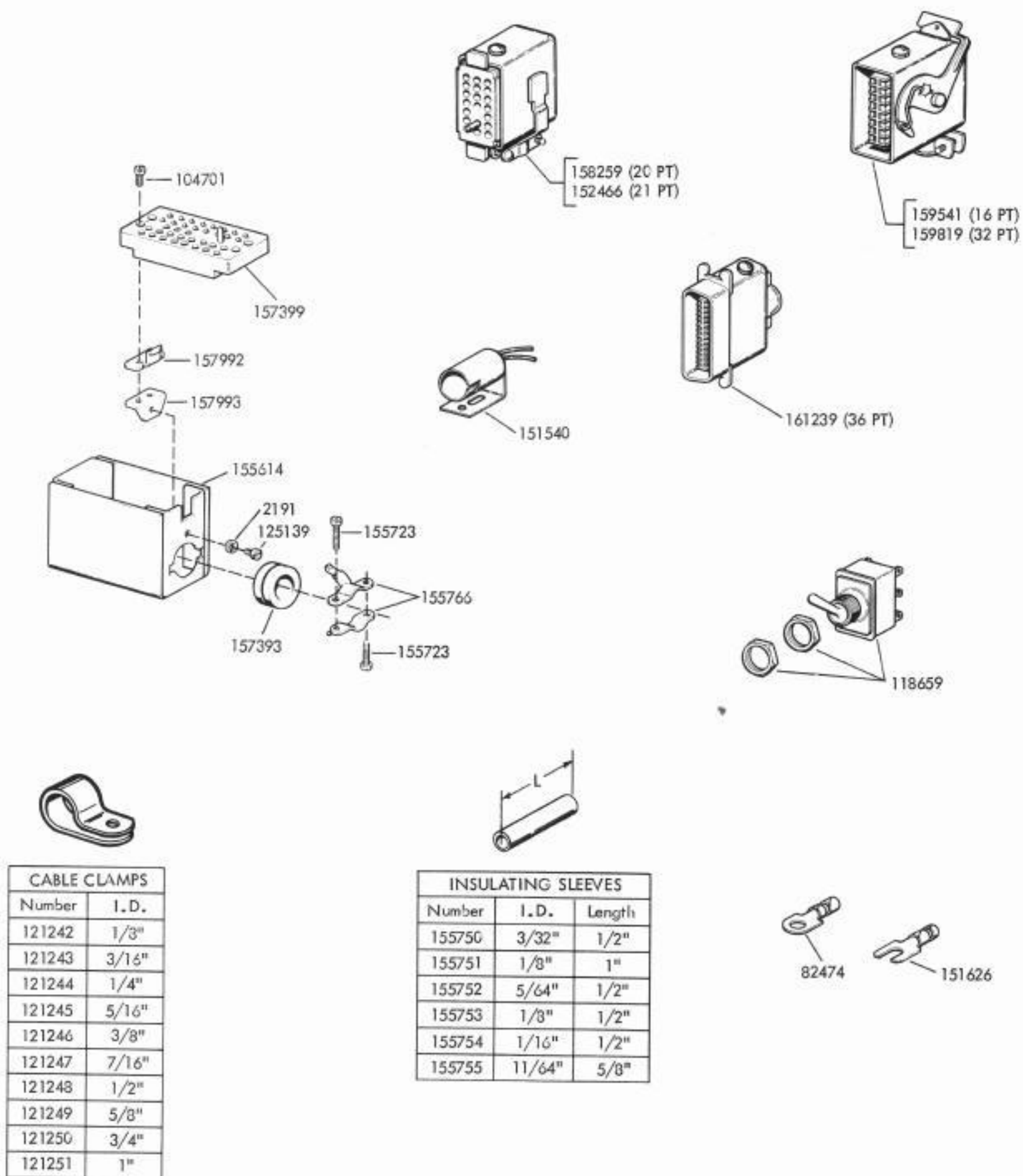


FIGURE 5-50. CABLE COMPONENTS

MODIFICATION KITS

Kit Number	Part Number	Description	Quantity	Figure Number	Specification Number
145898**		Modification Kit to Provide Tape Bin for Stored Tape of a Message in Transmission		5-29	
151988		Modification Kit to Add Power Line Electrical Noise Suppressor		5-48	
152910**		Modification Kit to Add Directory or Message File Holder		5-38	57295
154651		Modification Kit to Add Signal Line Electrical Noise Suppressor (D.C.)		5-47	
154756		Modification Kit to Provide Form-Out Alarm		5-44	58505
159384		Modification Kit to Provide Terminal Blocks		5-14	
159393		Modification Kit to Add Auxiliary Terminal Block - Right Side		5-15	
159394		Modification Kit to Add Auxiliary Terminal Block - Left Side		5-16	
159396		Modification Kit to Add Auxiliary Terminal Block - Top Row Left Rear		5-13	
160887**		Modification Kit to Provide a Housing for an LX or LXD Type Transmitter Distributor in a General Purpose Cabinet.			58855
	2191	Washer, Lock	10	5-17	
	3598	Nut (6-40 Hex)	6	5-17	
	7002	Washer, Flat	10	5-17	
	82730	Screw, Shoulder (10-32)	1	5-17	
	151631	Screw (6-40 x 5/16 Hex)	2		
	151693	Screw (6-40 x 9/16 Fil)	2	5-17	
	154485**	Housing w/Studs	1	5-17	
	154486	Spring	2	5-17	
	154487**	Plate w/Studs	1	5-17	
	154490**	Bar, Cross	1	5-17	
	154492	Plate, Nut	1	5-17	
	160291	Plate, Tape Exit	1	5-17	
160888**		Modification Kit to Provide a Housing for an LBXD Type Transmitter Distributor in a General Purpose Cabinet			58855
	2191	Washer, Lock	10	5-17	
	3598	Nut (6-40 Hex)	6	5-17	
	7002	Washer, Flat	10	5-17	
	82730	Screw, Shoulder (10-32)	1	5-17	

MODIFICATION KITS (Continued)

Kit Number	Part Number	Description	Quantity	Figure Number	Specification Number
160888**		Modification Kit to Provide a Housing for an LBXD Type Transmitter Distributor in a General Purpose Cabinet (Continued)			
	151631	Screw (6-40 x 5/16 Hex)	2	5-17	
	151693	Screw (6-40 x 9/16 Fil)	2	5-17	
	151827	Strap, Terminal	9	5-17	
	154486	Spring	1	5-17	
	154492	Plate, Nut	1	5-17	
	159394	Modification Kit (Auxiliary Terminal Blocks)	1	5-16	
	160286**	Bar, Cross	1	5-17	
	160290**	Plate w/Studs	1	5-17	
	160291	Plate, Tape Exit	1	5-17	
	160293**	Cover w/Studs	1	5-17	
	160372	Cable Assembly	1		
	160976	Spring	1	5-17	
	160889**		Modification Kit to Provide a Housing for an LCXD Type Transmitter Distributor in a Special Purpose Cabinet		
1253		Screw (8-32 x 3/8 Rd)	2	5-17	
2191		Washer, Lock	15	5-17	
3598		Nut (6-40 Hex)	3	5-17	
6344		Screw (6-32 x 11/32 Hex)	2	5-3	
7002		Washer, Flat	13	5-17	
82730		Screw, Shoulder (10-32)	1	5-17	
111017		Screw (6-40 x 5/16 Fil)	4	5-17	
115594		Nut, Speed	2	5-17	
151631		Screw (6-40 x 5/16 Hex)	2	5-17	
151657		Screw (6-40 x 1/4 Hex)	2	5-2	
151693		Screw (6-40 x 9/16 Fil)	2	5-17	
154492		Plate, Nut	1	5-17	
158645**		Bar, Cross	1	5-17	
158646**		Bracket	1	5-17	
158648		Chute, Tape	1	5-17	
158683**		Bracket, Housing	1	5-2	
158684**		Cover, Auxiliary	1	5-17	
158685**		Housing, Auxiliary	1	5-17	
158686**		Plate w/Studs	1	5-17	
158697		Plate, Designation	1	5-3	
160890**		Modification Kit to Provide a Housing for an LAXD Type Transmitter Distributor in a Special Purpose Cabinet			58855
	1253	Screw (8-32 x 3/8 Rd)	2	5-17	
	2191	Washer, Lock	6	5-17	
	6344	Screw (6-32 x 11/32 Hex)	2	5-3	
	7002	Washer, Flat	4	5-17	
	82730	Screw, Shoulder (10-32)	1	5-17	
	115594	Nut, Speed	2	5-17	
	151631	Screw (6-40 x 5/16 Hex)	2	5-17	
	151657	Screw (6-40 x 1/4 Fil)	2	5-2	
	154492	Plate, Nut	1	5-17	
	158646**	Bracket	1	5-17	
	158648	Chute, Tape	1	5-2	
	158693**	Bar, Cross	1	5-17	
	158697	Plate, Designation	1	5-3	

MODIFICATION KITS (Continued)

Kit Number	Part Number	Description	Quantity	Figure Number	Specification Number
161814		Modification Kit to Mount an Auxiliary Typing Reperforator Base and Provide Tape Guide		5-46	500555
162234**		Modification Kit to Add Tape Storage and Tape Winding Facilities to a General Purpose Cabinet (LAAC209** or LAAC236**)			
	1253	Screw (8-32 x 3/8 Rd)	9	5-8	
	2191	Washer, Lock	14	5-3	
	2669	Washer, Lock	4	5-3	
	3598	Nut (6-40 Hex)	6	5-3	
	3639	Washer, Lock	10		
	7002	Washer, Flat	14	5-3	
	8333	Screw (10-32 x 3/8 Rd)	4		
	84579	Washer, Flat	4		
	103387	Catch	1	5-3	
	111017	Screw (6-40 x 5/16 Rd)	6	5-3	
	112626	Nut (10-32 Hex)	12	5-3	
	115593	Screw (10-32 x 1/4 Self-Tapping)	9	5-3	
	115594	Nut, Speed	5	5-3	
	116733	Holder, Fuse	1	5-8	
	117535	Washer, Flat	11	5-3	
	120557	Washer, Flat	8	5-3	
	121005	Screw (6-40 x 1/4 Self-Tapping)	2		
	121243	Clamp, Cable	4	5-3	
	123969	Holder, Cable	1	5-3	
	125014	Washer, Flat	4		
	139158	Connector, Receptacle (Duplex)	1	5-8	
	151572	Washer, Star	1		
	151657	Screw (6-40 x 1/4 Fil)	7	5-3	
	157215	Mount, Rubber	4	5-3	
	158637	Screw, Thumb (10-32)	1		
	158652	Nut, Speed	2		
	158660**	Door Assembly, Tape Winder	1	5-3	
	158663	Stud	1	5-3	
	158664	Bracket	1	5-3	
	158665**	Partition	1	5-3	
	158666**	Box, Outlet	1	5-8	
	158667	Tray, Tape Winder	1	5-3	
	158669	Stud	1	5-3	
	158671	Connector, Receptacle (3 Pt)	1	5-8	
	159329	Cable Assembly	1	5-8	
	162243**	Bin Assembly, Tape	1		
162235**		Modification Kit to Provide a Housing for an LBXD Type Transmitter Distributor in a General Purpose Cabinet (LAAC209** or LAAC236**) Equipped with Tape Winding Facilities			58855
	2191	Washer, Lock	13	5-17	
	3598	Nut (6-40 Hex)	9	5-17	
	7002	Washer, Flat	12	5-17	
	82730	Screw, Shoulder (10-32)	1	5-17	
	98237	Pfn	1	5-17	
	151631	Screw (6-40 x 5/16 Hex)	2		
	151693	Screw (6-40 x 9/16 Fil)	2	5-17	

MODIFICATION KITS (Continued)

Kit Number	Part Number	Description	Quantity	Figure Number	Specification Number
162235**		Modification Kit to Provide a Housing for an L8XD Type Transmitter Distributor in a General Purpose Cabinet (LAAC209** or LAAC236**) Equipped with Tape Winding Facilities (Continued)			
	151827	Strap, Terminal	9	5-12	
	154457	Guide, Tape	1	2-10	
	154486	Spring, Detent	1	5-17	
	154492	Plate, Nut	1	5-17	
	159394	Modification Kit (Auxiliary Terminal Block)	1	5-16	
	160286**	Bar, Cross	1	5-17	
	160290**	Plate w/Studs	1	5-17	
	160372	Cable Assembly	1		
	160976	Spring	1	5-17	
	162237	Chute, Tape	1		
	179493	Guide, Tape	1		
	162244**		Modification Kit to Convert General Purpose Cabinets (LAAC209** or LAAC236**) to Tape Winding and Tape Storage Facilities		
162234**		Modification Kit	1		
162235**		Modification Kit	1		
162629		Modification Kit to Add Shaft and Bracket for Power Switch Control			501055
	104807	Washer, Flat	2	5-2	
	110743	Washer, Lock	2	5-2	
	153799	Screw (4-40 x 21/64 Hex)	2	5-2	
	163170	Shaft, Control	1	5-2	
	163173	Bracket, Arm	1	5-2	
162630		Modification Kit to Add Shaft and Bracket for Line Test Key Control			501055
	104807	Washer, Flat	2	5-2	
	110743	Washer, Lock	2	5-2	
	153799	Screw (4-40 x 21/64 Hex)	2	5-2	
	163169	Shaft, Control	1	5-2	
	163172	Bracket, Arm	1	5-2	
163165		Modification Kit to Add Toggle Switch Control to Cabinet			
	100832	Screw, Drive (#0 x 3/16)	2	5-2	
	104807	Washer, Flat	2	5-2	
	110743	Washer, Lock	2	5-2	
	151152	Screw (4-40 x 3/16 Hex)	2	5-2	
	154449	Shaft w/Arm	1	5-2	
	154459	Fork, Toggle Switch	1	5-2	
	158694	Plate, Designation	1	5-2	
	158696	Knob w/Set Screw	1	5-2	

MODIFICATION KITS (Continued)

Kit Number	Part Number	Description	Quantity	Figure Number	Specification Number
163796**		Modification Kit to Provide Telephone Shelf for Cabinet		5-37	
164024**		Modification Kit to Provide an Offset Copyholder on the Floor Model Cabinet		5-30	57365
164120**		Modification Kit to Add Control Panel Assembly		5-27	
164196		Modification Kit to Provide 48 Volt, DC Green Indicator Lamp			
	2171	Washer, Lock	2	5-9	
	3598	Nut (6-40 Hex)	2	5-9	
	7002	Washer, Flat	2	5-9	
	151630	Screw (6-40 x 1/4 Hex)	2	5-9	
	153400	Lamp (60V maximum)	1	5-9	
	164121	Cable Assembly, Lamp	1	5-49	
	164122	Lens, Green	1	5-5	
164197**		Modification Kit to Add Control Panel Assembly		5-26	
164272		Modification Kit to Provide Chad Disposal for the Auxiliary Reperforator		5-40	500015
164405**		Modification Kit to Provide Chad Container for the Auxiliary and/or Keyboard Reperforator		5-41	500015
170272**		Modification Kit to Provide Dual LX on LXD Type Transmitter Distributor Housing		5-18	58855
170306		Modification Kit to Provide Chad Disposal for the Keyboard Reperforator		5-40	500015
173238		Modification Kit to Add Ready Light to Cabinet			
	2191	Washer, Lock	3		
	3598	Nut (6-40 Hex)	1		
	7002	Washer, Flat	3		
	75750	Washer, Fiber	2		
	102092	Screw (6-40 x 1-17/32 Rd)	1		
	151630	Screw (6-40 x 1/4 Hex)	2		
	153400	Lamp, Incandescent (6 Watt, 60 Volt)	1		
	153487	Cable Assembly, Lampholder	1		
	173256	Cable w/Resistor	1		
173400**		Modification Kit to Provide Offset Copyholder for Table Model Cabinet		5-30	57365
174458**		Modification Kit to Provide Cabinet with a Paper Tearing Plate		5-33	500735

MODIFICATION KITS (Continued)

Kit Number	Part Number	Description	Quantity	Figure Number	Specification Number
176300		Modification Kit to Provide Switch on Cabinet for Motor of Auxiliary Typing Reperforator		5-22	50044S
176713		Modification Kit to Provide Low Paper and Paper-Out Alarm		5-39	50144S
178387		Modification Kit to Provide High Voltage Static Eliminator to Neutralize Electrostatic Charge on Page Copy		5-42	50051S
178897**		Modification Kit to Provide an Offset Copyholder for Floor Model Cabinet		5-31	5736S
179417**		Modification Kit to Adapt a Cabinet for use with a LBXD Type Transmitter Distributor			5885S
	2191	Washer, Lock	10	5-17	
	3598	Nut (6-40 Hex)	6	5-17	
	7002	Washer, Flat	10	5-17	
	82730	Screw, Shoulder (10-32)	1	5-17	
	151631	Screw (6-40 x 5/16 Hex)	2	5-17	
	151693	Screw (6-40 x 9/16 Flt)	2	5-17	
	154486	Spring - Left	1	5-17	
	154492	Plate, Nut	1	5-17	
	160286**	Bar, Cross	1	5-17	
	160290**	Plate	1	5-17	
	160291	Plate	1	5-17	
	160293**	Cover	1	5-17	
	160976	Spring - Right	1	5-17	
179601**		Modification Kit to Add Directory or Message File Holder		5-38	
193675		Modification Kit to Hinge Cabinet Lower Panels		5-45	50190S
194857**		Modification Kit to Provide Mounting Shelf on Left Side on Cabinet for Single Reel Tape Winder		5-35	
194859**		Modification Kit to Provide Mounting Shelf for Single Reel Tape Winder or Tape Unwinder		5-34	50192S
194861		Modification Kit to Provide Tape Guide		5-25	

NUMERICAL INDEX - SECTION 5

Part Number	Description and Page Number	Part Number	Description and Page Number	Part Number	Description and Page Number
247M	Coil, Magnet 5-10	79890	Screw (1/4-32 x 7/8 Hex) 5-8	116698	Lamp (6 Volt) 5-16
1028	Screw (4-40 x 7/32 Fil) 5-10	82020	Grommet, Rubber 5-4	116783	Holder, Fuse 5-9,5-38
1176	Screw (6-40 x 3/16 Fil) 5-6	82474	Terminal 5-9,5-10,5-16,5-35	117535	Washer, Flat 5-4,5-8 to 5-10,5-14,5-21,5-38
1178	Screw (2-56 x 7/16 Fil) 5-31	82730	Screw, Shoulder (10-32) 5-14,5-15,5-36,5-37,5-41	118659	Switch, Toggle 5-35
1253	Screw (8-32 x 3/8 Rd) 5-4,5-9,5-14,5-37,5-38	84579	Washer, Flat 5-4,5-6,5-38	119367	Screw, Set (8-32) 5-3,5-4
1264	Screw (10-32 x 1/2 Flat) 5-5	85198	Screw (10-32 x 3/16 Hex) 5-5	119467	Insulator 5-31
2191	Washer, Lock 5-3 to 5-17,5-21 to 5-26,5-28,5-29,5-31,5-32,5-34,5-36 to 5-38,5-40,5-41	90560	Washer, Flat 5-29	119639**	Plug, Button 5-3
2449	Washer, Lock 5-5,5-6,5-8,5-22 to 5-24,5-26 to 5-28	90599	Shim (.008") 5-23	119641**	Button, Plug (7/16" Dia.) 5-3
2481	Washer, Flat 5-25	91683	Nut (15/32-32 Hex) 5-9,5-16,5-18,5-19	119649	Ring, Retaining 5-28
2539	Nut (3/8-32 Hex) 5-18	91684	Nut (15/32-32 Ring) 5-16,5-18,5-19	119907	Grommet, Rubber 5-16
2669	Washer, Lock 5-3 to 5-8,5-14,5-32,5-38	92146	Nut (1/4-20 Hex) 5-6	119979	Strike, Fastener 5-4
2846	Washer, Flat 5-5,5-8,5-22 to 5-24,5-26,5-28	92527	Washer, Lock 5-33	120175	Plate, Off-On 5-18,5-19
3226	Washer, Flat 5-27	93108	Washer, Lock 5-23	120557	Washer, Flat 5-4,5-38
3292	Nut (1/4-20 Hex) 5-3,5-6	93118	Washer, Lock 5-31	121005	Screw, Self-Tapping (#6) 5-3,5-7,5-38
3438	Washer, Lock 5-10,5-16,5-23,5-32	93136	Switch, Toggle 5-16	121018	Nut (4-40 Hex) 5-32
3598	Nut (6-40 Hex) 5-3 to 5-6,5-9,5-10,5-13 to 5-15,5-21,5-22,5-25,5-29,5-36 to 5-38,5-40,5-41	93160	Washer, Flat 5-5	121242	Clamp, Cable (1/8" ID) 5-35
3599	Nut (4-40 Hex) 5-6,5-7,5-20	94660	Connector (90 Degree) 5-33	121243	Clamp, Cable (3/16" ID) 5-4,5-9,5-35,5-38
3606	Nut (6-40 Hex) 5-26,5-32	95063	Connector, Plug (3 Pt) 5-22	121244	Clamp, Cable (1/4" ID) 5-30,5-35
3639	Washer, Lock 5-3 to 5-8,5-10,5-21,5-31,5-38	97143	Jack 5-16	121245	Clamp, Cable (5/16" ID) 5-21,5-22,5-35
3640	Washer, Lock 5-3,5-10,5-20,5-22 to 5-24,5-29	98237	Pin 5-14,5-38	121246	Clamp, Cable (3/8" ID) 5-4,5-9,5-35
3646	Washer, Lock 5-10,5-21	98642	Washer, Lock 5-5,5-23,5-28	121247	Clamp, Cable (7/16" ID) 5-9,5-16,5-35
3649	Washer, Flat 5-32	100011	Nut (6-40 Hex) 5-6,5-10,5-17	121248	Clamp, Cable (1/2" ID) 5-5,5-35
4326	Spring 5-6,5-7	100184	Screw, Shoulder (10-32) 5-6	121249	Clamp, Cable (5/8" ID) 5-35
4703	Spring 5-10	100658	Connector, Plug (2 Pt) 5-18,5-19	121250	Clamp, Cable (3/4" ID) 5-35
6344	Screw (6-32 x 11/32 Hex) 5-4,5-37	100832	Screw, Drive (#0 x 3/16) 5-3,5-38,5-39	121251	Clamp, Cable (1" ID) 5-35
6345	Nut (6-32 Hex) 5-25	101633	Washer, Flat 5-6,5-7	121416	Roller 5-15
6810	Screw (10-32 x 3/8 Hex) 5-31	102092	Screw (6-40 x 1-17/32 Rd) 5-10,5-40	121418	Screw, Shoulder (6-40) 5-15
7002	Washer, Flat 5-3 to 5-7,5-9 to 5-17,5-21,5-22,5-26,5-28,5-29,5-31,5-36 to 5-38,5-40,5-41	102751	Nut (10-32 Hex) 5-6	121575	Screw (10-32 x 5/16 Hex) 5-3
8333	Screw (10-32 x 3/8 Rd) 5-3 to 5-5,5-8,5-10,5-38	103092	Connector, Card 5-4	122476	Screw, Self-Tapping (#6) 5-4,5-16,5-21
8543	Screw (6-40 x 1/4 Fil) 5-4,5-15	103387	Catch 5-4,5-38	123969	Holder, Cable 5-4,5-38
34432	Washer, Flat 5-4,5-6,5-21	103539	Screw (6-40 x 3/8 Fil) 5-16	124741	Washer, Lock 5-21,5-22
41663	Washer, Flat 5-5	104124	Screw (1/4-32 x 11/32 Hex) 5-8	124999	Switch, Sensitive 5-28,5-31
43954	Bell 5-10	104701	Screw (4-40 x 9/32 Fil) 5-35	125004	Screw (8-32 x 1/4 Rd) 5-21
45815	Washer, Lock 5-4,5-5,5-8,5-23	104807	Washer, Flat 5-3,5-29,5-39	125011	Washer, Flat 5-7,5-21,5-25,5-31,5-32
49514	Nut (8-32 Hex) 5-32	105029	Washer, Flat 5-8	125014	Washer, Flat 5-4,5-27,5-38
49644	Screw, Shoulder (10-32) 5-6	106047	Screw (1/4-32 x 1/2 Hex) 5-27	125015	Washer, Flat 5-3,5-10,5-25,5-32
55219	Screw (8-32 x 3/8 Fil) 5-10	107116	Washer, Star 5-3,5-6,5-9,5-10	125137	Screw (10-32 x 1/2 Rd) 5-8
70720	Screw, Shoulder (10-32) 5-6,5-7,5-31	107116	Nut (1/4-20 Hex) 5-22 to 5-24,5-26,5-28	125139	Screw (4-40 x 1/8 Fil) 5-35
71699	Screw, Shoulder (10-32) 5-4,5-6	108355	Screw (10-32 x 7/8 Hex) 5-8	125170	Screw (8-32 x 5/16 Fil) 5-33
71858	Washer, Flat 5-5,5-8	108809	Screw (10-32 x 7/8 Hex) 5-8	125218	Nut (1/4-32 Hex) 5-5,5-8
74479	Bushing 5-10	110126	Washer, Lock 5-22	125224	Nut (1/4-32 Hex) 5-27
74594	Ring, Retaining 5-3	110434	Screw (4-40 x 3/16 Fil) 5-10	125231	Nut (10-32 Hex) 5-5,5-6,5-8,5-32
74807	Nut (10-32 Hex) 5-6,5-7	110435	Nut (4-40 Hex) 5-10,5-22	125802	Washer, Flat 5-22
75750	Washer, Insulating 5-10,5-16,5-40	110743	Washer, Lock 5-3,5-7,5-21,5-23,5-24,5-31,5-32,5-39	128357	Ring, Retaining 5-3
76099	Washer, Flat 5-6	111017	Screw (6-40 x 5/16 Fil) 5-3,5-4,5-9 to 5-11,5-14,5-37,5-38	129919	Fuse (4 Amp) 5-9
76279	Screw (1/4-32 x 5/8 Hex) 5-8,5-27	111345	Bolt (4-40) 5-6	130683	Washer, Lock 5-19
76834	Screw (4-40 x 3/8 Flat) 5-22	111346	Spring 5-6	139158	Connector, Receptacle (Duplex) 5-9,5-38
77902	Screw (6-40 x 2-3/8 Rd) 5-16	111409	Screw (4-40 x 7/32 Fil) 5-25	139159	Connector, Plug (3 Pt) 5-21
78469	Foot, Rubber 5-25	112080	Washer, Flat 5-15	139175	Clamp, Window 5-4
79523	Screw (2-56 x 25/32 Flat) 5-28	112626	Nut (10-32 Hex) 5-4 to 5-6,5-8,5-21,5-23,5-31,5-38	144614	Chute, Chad 5-5
		112627	Nut (2-56 Hex) 5-28	144777	Plate, Nut 5-5
		113844	Screw (10-32 x 17/32 Hex) 5-28	144779	Screw (5/16-18 x 3/4 Rd) 5-22
		114478	Nut (15/32-32 Hex) 5-16,5-18,5-19	144799	Cable Assembly 5-22
		114589	Mount, Vibration 5-5	144937**	Housing 5-7
		114766	Stud, Oval Head 5-3	144938	Bracket, Mounting 5-5
		115593	Screw, Self-Tapping (10-32) 5-3,5-4,5-31,5-38	144939**	Bracket, Mounting 5-5
		115594	Nut, Speed 5-4,5-9,5-14,5-37,5-38	144950**	Housing, Key and Lamp 5-7
				144953**	Tray, Message 5-7
				144958**	Container, Chad 5-7

NUMERICAL INDEX - SECTION 5 (Continued)

Part Number	Description and Page Number	Part Number	Description and Page Number	Part Number	Description and Page Number
145038	Bracket, Mounting 5-5	151631	Screw (6-40 x 5/16 Hex) 5-6, 5-13, 5-15, 5-29, 5-36 to 5-38, 5-41	154249	Screw, Self-Tapping (#8B) 5-6, 5-7
145039	Bracket, Mounting 5-5	151632	Screw (6-40 x 3/8 Hex) 5-21, 5-22, 5-25, 5-29, 5-31	154251	Latch 5-7
145053	Bracket 5-5	151637	Screw (4-40 x 1/4 Fil) 5-19, 5-22 to 5-24, 5-32	154252**	Panel, Lower Door 5-5
145177	Channel 5-5	151657	Screw (6-40 x 1/4 Fil) 5-3, 5-4, 5-8, 5-9, 5-12, 5-24, 5-28, 5-37, 5-38	154256	Screw, Thumb (4-40) 5-7
145178	Angle, Support 5-5	151658	Screw (6-40 x 5/16 Fil) 5-3, 5-6, 5-10	154259	Screw, Self-Tapping (Phil. Hd) 5-5, 5-7
145179	Bracket 5-5	151659	Screw (6-40 x 1/2 Fil) 5-15	154263	Bumper, Rubber Plug 5-7
145185**	Cover W/Post 5-7	151665	Screw (4-40 x 5/16 Fil) 5-3, 5-10, 5-23, 5-24	154273**	Bar, Tie 5-5
145711	Stud (6-40 Hex) 5-7	151692	Screw (6-40 x 3/16 Fil) 5-6, 5-7	154276	Stop, Dome 5-6
145748	Bracket, Cable 5-5	151693	Screw (6-40 x 9/16 Fil) 5-14, 5-15, 5-36 to 5-38, 5-41	154293**	Plate 5-5
145898**	Modification Kit 5-22, 5-36	151722	Screw (6-40 x 3/16 Hex) 5-6, 5-7, 5-10, 5-22	154294**	Bracket, Mounting 5-5
146133**	Cover W/Post 5-7	151723	Screw (10-32 x 3/8 Hex) 5-4, 5-5, 5-7, 5-8, 5-14	154298**	Door 5-7
146141**	Panel, Right Front 5-5	151752	Screw (10-32 x 3/4 Fil) 5-8	154301**	Dome 5-7
146142**	Panel, Left Front 5-5	151819	Jumper (3-1/16" Black) 5-11	154363	Nut, Speed 5-5
146143	Blade 5-22	151827	Strap, Terminal 5-11, 5-37, 5-39	154371	Post 5-5
146308**	Frame, Tape Bin 5-22	151982	Lamp (6 Watt - 6 Volt) 5-9	154378	Pad, Dome 5-7
146309**	Cover, Tape Bin 5-22	151988	Modification Kit 5-33, 5-36	154379	Pad, Base 5-5
146310**	Plate 5-22	151989	Suppressor, Electrical Noise 5-33	154382	Plate, Mounting 5-5
146311**	Bracket, Mounting 5-22	152466	Connector, Receptacle (21 Pt) 5-35	154383	Plate, Left 5-5
146312	Guide, Tape 5-22	152755	Strap, Terminal 5-11	154384	Plate, Right 5-5
146315	Bracket, Motor Mounting 5-22	152763	Jumper (2" Yellow) 5-16	154385	Post (1/4-32) 5-5
146318**	Housing, Motor 5-22	152768	Window 5-7	154399	Plate, Identification 5-14
146556	Motor Assembly 5-22	152848	Screw (1/4-20 x 3/4 Button) 5-22 to 5-25, 5-28	154401	Stud (1/4-20) 5-6
146557	Cable Assembly 5-22	152893	Screw (4-40 x 1/4 Hex) 5-21	154402	Spring, Torsion 5-6
146558	Screw, Shoulder (6-40) 5-22	152899**	Holder 5-28	154404	Tray 5-10
146560	Panel, Front Plexiglass 5-22	152910**	Modification Kit 5-28, 5-36	154406	Block, Terminal 5-11, 5-12
146561	Panel, Rear Plexiglass 5-22	153017	Nut, Speed (12-24) 5-5	154407	Latch, Dome 5-6, 5-7
146562	Hub 5-22	153020	Guide, Line 5-10	154408	Bracket 5-10
146563	Guide 5-22	153021	Spring 5-10, 5-23, 5-24	154409**	Plate, Cover 5-3
146570	Template 5-22	153022	Bushing 5-10, 5-23, 5-24	154410**	Dome W/Studs 5-6
146662	Nut (5/16-18 Hex) 5-22	153023	Handle 5-3, 5-10, 5-23, 5-24	154411	Panel, Control 5-17
150040	Screw (6-40 x 5/8 Fil) 5-6, 5-25	153027	Post (6-40) 5-10	154412	Stud (6-40) 5-11
151073	Screw (4-40 x 5/32 Fil) 5-22	153037	Spring 5-3	154413	Plate, Switch 5-9
151152	Screw (4-40 x 3/16 Hex) 5-3, 5-21, 5-22, 5-29, 5-31, 5-39	153048	Stud, Wing Head 5-3	154415	Spring, Torsion 5-6
151229	Washer, Flat 5-28	153099	Arm, Pivot 5-23, 5-24	154416	Plate, Adjusting 5-14
151335	Stud (6-40 Hex) 5-12	153104**	Bracket, Copy Holder 5-23	154418	Spring, Flat 5-8
151346	Screw (6-40 x 3/8 Fil) 5-5, 5-9, 5-10, 5-13, 5-26	153106**	Plate, Bearing 5-23	154419	Window 5-6
151411	Block, Terminal 5-7	153107	Arm 5-23, 5-24	154421**	Door, Left Front 5-6
151442	Screw (6-40 x 1/2 Hex) 5-3, 5-10	153113	Guide, Line 5-23, 5-24	154423	Window 5-6
151511	Gasket 5-6	153126	Plate, Nut (6-40) 5-23, 5-24	154424	Gasket 5-6
151512	Seal, Noise 5-3	153130**	Copyholder 5-23	154426**	Door, Top Middle 5-6
151526	Screw, Thumb (10-32) 5-3	153400	Lamp, Incandescent (60 Watt - 6 Volt) 5-9, 5-10, 5-40	154427	Clamp 5-6
151534	Screw, Shoulder (10-32) 5-6	153442	Screw (10-32 x 1/2 Hex) 5-5, 5-30, 5-32	154431**	Door, Right Front 5-6
151540	Lampholder 5-9, 5-10, 5-35	153455	Resistor (600 Ohm) 5-10	154433	Clamp 5-6, 5-7
151545	Guide, Paper 5-6, 5-7	153459	Block, Terminal 5-11 to 5-13	154436**	Door, Top Right 5-6
151549	Screw, Special (1/4-32) 5-5, 5-8	153466	Cover 5-11	154437	Insulator (1-20) 5-11
151555	Foot, Mounting 5-3, 5-5	153484	Screw, Terminal (6-32) 5-11 to 5-13	154438	Insulator (21-40) 5-11
151556	Knob 5-20	153487	Cable Assembly 5-10, 5-34, 5-40	154439	Insulator (121-150) 5-11
151558	Nut, Speed 5-7	153492	Connector, Plug (3 Pt) 5-22	154440	Cable Assembly 5-9, 5-34
151560	Bell Assembly, Signal 5-10	153493	Connector, Receptacle (3 Pt) 5-22	154442	Shaft 5-4
151564	Bracket, Mounting 5-10	153537	Screw (6-40 x 9/32 Hex) 5-23, 5-24	154443	Shaft 5-3
151565	Bushing, Shoulder 5-10	153799	Screw (4-40 x 21/64 Hex) 5-3, 5-39	154444	Fork 5-3
151567	Armature 5-10	153901**	Modification Kit 5-25	154445	Knob 5-4
151569	Strap, Grounding 5-5, 5-8	154248	Nut, Speed (#8A) 5-6, 5-7	154446	Cover 5-11, 5-12
151571	Cable Assembly 5-10			154449	Shaft 5-3, 5-39
151572	Washer, Lock 5-5, 5-38			154451	Bracket 5-6
151574	Grommet, Rubber 5-10			154452	Cover 5-12
151576	Arm, Stop 5-6			154456**	Plate, Cover 5-3
151577	Screw, Shoulder (6-40) 5-10			154457	Tape, Guide 5-39
151579	Plate, Retaining 5-10			154459	Fork 5-3, 5-39
151588	Mount, Vibration 5-6			154462	Bracket 5-3
151618	Screw (6-40 x 7/16 Fil) 5-4			154463	Mount, Vibration 5-8
151626	Terminal 5-10, 5-11, 5-18 to 5-20, 5-28, 5-31, 5-33, 5-35			154479	Cover 5-11
151630	Screw (6-40 x 1/4 Hex) 5-9, 5-10, 5-13, 5-21, 5-22, 5-32, 5-40			154481	Bar, Torsion 5-6
				154482	Bar, Torsion 5-6
				154483	Bolt (1/4-20 x 3-1/4 Eye) 5-3
				154484	Nut, Shoulder (1/4-20) 5-3
				154485**	Housing W/Studs 5-14, 5-36
				154486	Spring, Detent 5-14, 5-36, 5-37, 5-39, 5-41

NUMERICAL INDEX - SECTION 5 (Continued)

Part Number	Description and Page Number	Part Number	Description and Page Number	Part Number	Description and Page Number
154487**	Plate W/Studs 5-14,5-15,5-36	158636	Funnel, Tape 5-21	159819	Connector, Plug (32 Pt) 5-35
154490**	Bar, Cross 5-14,5-15,5-36	158637	Screw, Thumb (10-32) 5-21,5-38	160286**	Bar, Cross 5-14,5-37,5-39
154492	Plate, Nut 5-14,5-15,5-36,5-37,5-39,5-41	158638**	Plate 5-21	160290**	Plate W/Studs 5-14,5-37,5-39,5-41
154496**	Panel, Front 5-3	158639	Window 5-21	160291	Plate, Tape Exit 5-14,5-15,5-36,5-37,5-41
154497	Window 5-3	158640	Motor (115 Volt, A.C.) 5-21	160293**	Cover W/Studs 5-14,5-37,5-41
154498	Plate W/Studs, Tape Exit 5-14	158641**	Cover 5-21	160297	Insulator (181-220) 5-12
154651	Modification Kit 5-33,5-36	158642	Hub 5-21	160338	Cable Assembly 5-34
154655	Suppressor, Electrical Noise 5-33	158643	Blade 5-21	160339	Window 5-6
154695**	Bracket 5-25	158644	Cable Assembly 5-21	160341**	Hinge - Left 5-6
154697	Grommet, Rubber 5-25	158645**	Bar, Cross 5-14,5-37	160344	Clamp 5-6
154756	Modification Kit 5-31,5-36	158646**	Bracket, Mounting 5-14,5-37	160345	Plate 5-15
154868	Plate 5-25	158647	Chute, Tape 5-3	160346	Bracket 5-15
154869**	Bracket 5-23	158648	Chute, Tape 5-3,5-37	160347	Stud (6-32 Hex) 5-4
155023	Switch, Toggle 5-18,5-19	158649	Screw, Thumb (4-40) 5-6	160349**	Hinge, Right 5-6
155045	Switch, Toggle 5-9	158651**	Door W/Studs 5-6	160352	Cable Assembly 5-16,5-34
155083	Lens (Red) 5-6,5-7	158652	Nut, Speed 5-3,5-7,5-38	160355	Modification Kit 5-16
155085**	Bracket 5-23	158653	Spacer 5-15	160369	Switch, Push 5-16,5-18,5-19
155086	Pad, Rubber 5-23	158656	Window 5-6	160370	Switch, Push 5-16,5-18
155087	Screw (1/4-20 x 7/16 Rd) 5-23	158657	Clamp 5-6	160371	Light, Pilot (Yellow) 5-16
155597	Lens, Indicator Light (Yellow) 5-6	158658	Gasket 5-6	160372	Cable Assembly 5-37,5-39
155614	Cover 5-35	158659	Plate, Blank 5-6	160381	Panel, Control 5-16,5-17
155723	Screw (4-48 x 1/2 Fil) 5-35	158660**	Door Assembly, Tape Winder 5-38	160382	Cover 5-16
155750	Sleeve, Insulating (3/32 ID x 1/2 Lg) 5-16,5-35	158661**	Door, Tape Winder 5-4	160383	Switch 5-16
155751	Sleeve, Insulating (1/8 ID x 1 Lg) 5-35	158662	Window 5-4	160386	Resistor (1,000 Ohm) 5-16
155752	Sleeve, Insulating (5/64 ID x 1/2 Lg) 5-35	158663	Stud 5-4,5-21,5-38	160390	Bracket 5-16
155753	Sleeve, Insulating (1/8 ID x 1/2 Lg) 5-16,5-35	158664	Bracket 5-4,5-38	160461	Bracket 5-13
155754	Sleeve, Insulating (1/16 ID x 1/2 Lg) 5-35	158665**	Partition 5-4,5-38	160462	Insulator (41-80) 5-13
155755	Sleeve, Insulating (11/64 ID x 5/8 Lg) 5-9,5-16,5-20,5-35	158666**	Box, Outlet 5-9,5-38	160463**	Basket, Tape 5-4,5-31
155766	Clamp, Cable 5-35	158667	Tray, Tape Winder 5-4,5-38	160466	Plate 5-31
155861	Washer, Lock 5-22	158669	Stud (10-32) 5-4,5-38	160467	Window 5-6
156740	Screw (6-40 x 7/32 Hex) 5-21	158670**	Panel, Front 5-3	160468	Modification Kit 5-31
156768	Screw (8-32 x 9/32 Hex) 5-21,5-22	158671	Connector, Receptacle (3 Pt) 5-9,5-38	160469	Stop 5-4
156770	Plate, Identification 5-14	158672	Shaft, Front Panel 5-3	160470	Modification Kit 5-31
156993	Nut, Speed 5-14	158673	Bracket, Locating 5-8	160663	Bracket 5-4
157155	Cover 5-13	158676	Insulator (81-120) 5-13	160664	Pin, Roll 5-6,5-7
157215	Mount, Vibration 5-4,5-38	158677	Insulator (151-180) 5-12	160665**	Door, Top Left 5-6
157393	Grommet, Rubber 5-35	158678	Rail, Rear Base 5-8	160667	Bumper, Rubber 5-6
157399	Connector, Receptacle (35 Pt) 5-35	158679	Rail, Front Base 5-8	160670	Bracket 5-6
157980	Extension 5-31	158682	Plate 5-3	160887**	Modification Kit 5-36
157981	Bracket 5-31	158683**	Bracket, Housing 5-14,5-37	160888**	Modification Kit 5-36
157982	Lever 5-31	158684**	Cover, Auxiliary 5-14,5-37	160889**	Modification Kit 5-37
157984	Screw, Shoulder (4-40) 5-31	158685**	Housing, Auxiliary 5-14,5-37	160890**	Modification Kit 5-37
157985	Switch and Cable Assembly 5-31	158686**	Plate W/Studs 5-14,5-37	160974	Arm, Stop 5-6
157992	Bracket 5-35	158687	Arm, Tape 5-8	160976	Spring, Detent 5-14,5-37,5-39,5-41
157993	Bracket 5-35	158688	Guide, Stop 5-6	160985	Pad (Left) 5-2
158186	Screw (4-40 x 7/32 Fil) 5-20	158689	Guide 5-6	160986	Pad (Right) 5-2
158195	Rail, Left Base 5-8	158691	Stud (1/4-20) 5-6	160989	Pad, Dome (Left) 5-6
158196	Rail, Right Base 5-8	158692	Spring, Torsion 5-6	160990	Pad, Dome (Right) 5-6
158197	Angle, Left Base 5-8	158693**	Bar, Cross 5-14,5-37	160991	Pad, Door Top (Right) 5-6
158198	Angle, Right Base 5-8	158694	Plate, Designation 5-3,5-39	160993	Pad, Back (Left) 5-2
158201	Stud (1/4-32 Hex) 5-8	158695	Plate, Designation 5-4	160994	Pad, Top Door (Middle) 5-6
158215	Plate, Nut (6-40) 5-29	158696	Knob 5-3,5-39	160995	Pad, Top (Left) 5-6
158259	Connector, Receptacle (20 Pt) 5-35	158697	Plate, Designation 5-4,5-37	161206	Bushing, Insulating 5-16
158260	Eccentric 5-8	159238	Connector, Receptacle (2 Pt) 5-18,5-19	161210	Nut (11/16 x 32 Hex) 5-16
158286	Transformer 5-10	159329	Cable Assembly 5-9,5-34,5-38	161239	Connector, Plug (36 Pt) 5-35
158287	Transformer Assembly 5-10	159330	Cable Assembly 5-34	161750	Bracket 5-13
158630**	Bin Assembly, Tape 5-21	159384	Modification Kit 5-12,5-36	161755	Pad, Front (Right) 5-6
158631**	Plate, Rear Tape Bin 5-21	159393	Modification Kit 5-13,5-36	161756	Pad, Left Cross Bar 5-14
158634	Bracket 5-21	159394	Modification Kit 5-13,5-36,5-37,5-39	161764	Pad 5-14
158635**	Bin, Tape 5-21	159396	Modification Kit 5-12,5-36	161765	Pad 5-14
		159541	Connector, Plug (16 Pt) 5-35	161777	Stud, Mounting (1/4-20) 5-32
		159734	Button 5-6,5-7	161778	Stud, Mounting (1/4-32) 5-32
		159735**	Panel, Front 5-3	161814	Modification Kit 5-32,5-38
		159743	Bar, Torsion 5-6	161825	Panel, Control 5-17
		159744	Bar, Torsion 5-6,5-7	161830	Panel, Control 5-17

NUMERICAL INDEX - SECTION 5 (Continued)

Part Number	Description and Page Number	Part Number	Description and Page Number	Part Number	Description and Page Number
162016	Pad, Left Cross Bar 5-14	164282	Cable Assembly 5-34	176301	Panel, Control 5-18
162017	Pad, Housing 5-14	164283	Cable Assembly 5-34	176302	Cable Assembly 5-18,5-19
162018	Pad 5-14	164284	Cable Assembly 5-34	176303	Cable Assembly 5-18,5-19
162019	Pad 5-14	164383**	Shelf 5-27	176667	Spacer 5-28
162020	Pad, Housing 5-14	164405**	Modification Kit 5-29,5-40	176668	Bracket 5-28
162021	Pad 5-14	164407	Cable Assembly 5-34	176669	Lever W/Hub and Pin 5-28
162234**	Modification Kit 5-38,5-39	164408	Cable Assembly 5-34	176670	Lever W/Hub 5-28
162235**	Modification Kit 5-38,5-39	164593	Plate, Slide (Left) 5-29	176671	Insulator 5-28
162236**	Cover W/Studs 5-14	164837	Panel, Control 5-18	176707	Bracket, Switch 5-28
162237	Chute, Tape 5-14,5-39	164838	Panel Assembly, Control 5-18	176711	Spring, Torsion - R.H. 5-28
162239**	Plate 5-21	164839	Cable Assembly 5-18	176712	Spring, Torsion - L.H. 5-28
162240**	Plate, Rear 5-21	164856	Indicator, Neon 5-18	176713	Modification Kit 5-28,5-41
162241**	Bin, Tape 5-21	164858**	Door Assembly 5-15	176785	Cable Assembly 5-28
162243**	Bin Assembly, Tape 5-21,5-38	164865	Indicator, Neon 5-18	178387	Modification Kit 5-30,5-41
162244**	Modification Kit 5-39	164866	Switch, Wafer 5-18	178389	Power Unit, Model B2 5-30
162591	Shaft, Line Guide 5-10	164936	Guide, Tape 5-32	178390	Bar, Static Eliminator Inductor 5-30
162629	Modification Kit 5-39	164938	Washer, Spring 5-32	178391	Cable, Inductor Bar Extension 5-30
162630	Modification Kit 5-39	164939	Guide W/Bushing 5-32	178392	Plug, Secondary Outlet 5-30
162898	Panel, Control 5-17	164941	Guide W/Roller, Tape 5-32	178729	Plate, Tear 5-25
162899	Cable Assembly 5-19	164942	Bracket 5-32	178837	Plate 5-19
163165	Modification Kit 5-39	164943	Plate W/Studs 5-32	178838	Modification Kit 5-19
163169	Shaft, Control 5-3,5-39	164944	Guide W/Roller, Tape 5-32	178892**	Copyholder 5-24
163170	Shaft, Control 5-3,5-39	165102	Screw, Special (12-24) 5-5	178893**	Plate 5-24
163172	Bracket, Arm 5-3,5-39	170272**	Modification Kit 5-15,5-40	178894**	Bracket 5-24
163173	Bracket, Arm 5-3,5-39	170302**	Housing, Dual LXD 5-15	178895	Shaft 5-24
163796**	Modification Kit 5-27,5-40	170303	Clip, Housing (Right) 5-15	178897**	Modification Kit 5-24,5-41
164024**	Modification Kit 5-23,5-40	170304	Clip, LXD Housing (Left) 5-15	178914**	Plate 5-24
164025**	Bracket 5-23	170305	Plate 5-15	179049	Bracket, Support 5-32
164028**	Copyholder 5-23	170306	Modification Kit 5-29,5-40	179193	Shaft 5-32
164084	Cable Assembly 5-20	170307	Plate, Trim 5-4	179197**	Panel 5-3
164120**	Modification Kit 5-20,5-40	170308	Window, Filler 5-3	179256	Chute Assembly, Chad 5-29
164121	Cable Assembly 5-34,5-40			179402	Deflector, Tape 5-21
164122	Lens, Green 5-6,5-40			179417**	Modification Kit 5-41
164123**	Panel 5-20	172749	Bracket 5-31	179449	Bracket 5-13
164124	Switch, Rotary 5-20	173097**	Modification Kit 5-27	179469	Modification Kit 5-13
164125	Cable Assembly 5-20	173138	Plate, Designation 5-3	179470	Modification Kit 5-13
164195	Plate, Switch 5-20	173206**	Bracket, Shelf (Left) 5-27	179493	Guide, Tape 5-14,5-39
164196	Modification Kit 5-40	173207**	Shelf (Left) 5-27	179600**	Holder 5-28
164197**	Modification Kit 5-20,5-40	173238	Modification Kit 5-40	179601**	Modification Kit 5-28,5-41
164198**	Panel, Control 5-20	173256	Cable Assembly 5-10,5-40	179860	Plate, Mounting 5-19
164199	Plate, Switch 5-20	173400**	Modification Kit 5-23,5-40	193674	Latch, Fastener 5-32
164235**	Bracket 5-26,5-27	173455	Cable Assembly 5-34	193675	Modification Kit 5-32,5-41
164272	Modification Kit 5-29,5-40	173456	Cable Assembly 5-34	194575	Post, Locating 5-26
164273	Chute W/Bracket 5-29	173457	Cable Assembly 5-34	194855	Guide, Tape 5-19
164275	Chute W/Bracket 5-29	173458	Cable Assembly 5-34	194857**	Modification Kit 5-26,5-41
164276**	Container, Chad 5-29	173781	Cable Assembly 5-34	194858**	Plate, Mounting 5-26
164277	Plate, Slide (Right) 5-29	173920	Arm Assembly, Stop 5-6	194859**	Modification Kit 5-26,5-41
164278	Chute, Chad 5-29	174458**	Modification Kit 5-25,5-40	194860**	Plate, Mounting 5-26
164279	Chute Assembly, Chad 5-29	176167	Lampholder 5-9	194861	Modification Kit 5-19,5-41
164281	Cable Assembly 5-34	176300	Modification Kit 5-18,5-41	195267	Guide W/Roller, Tape 5-14
				195841**	Plate, Cover 5-4

SECTION 6
ELECTRICAL SERVICE UNIT (LESU)

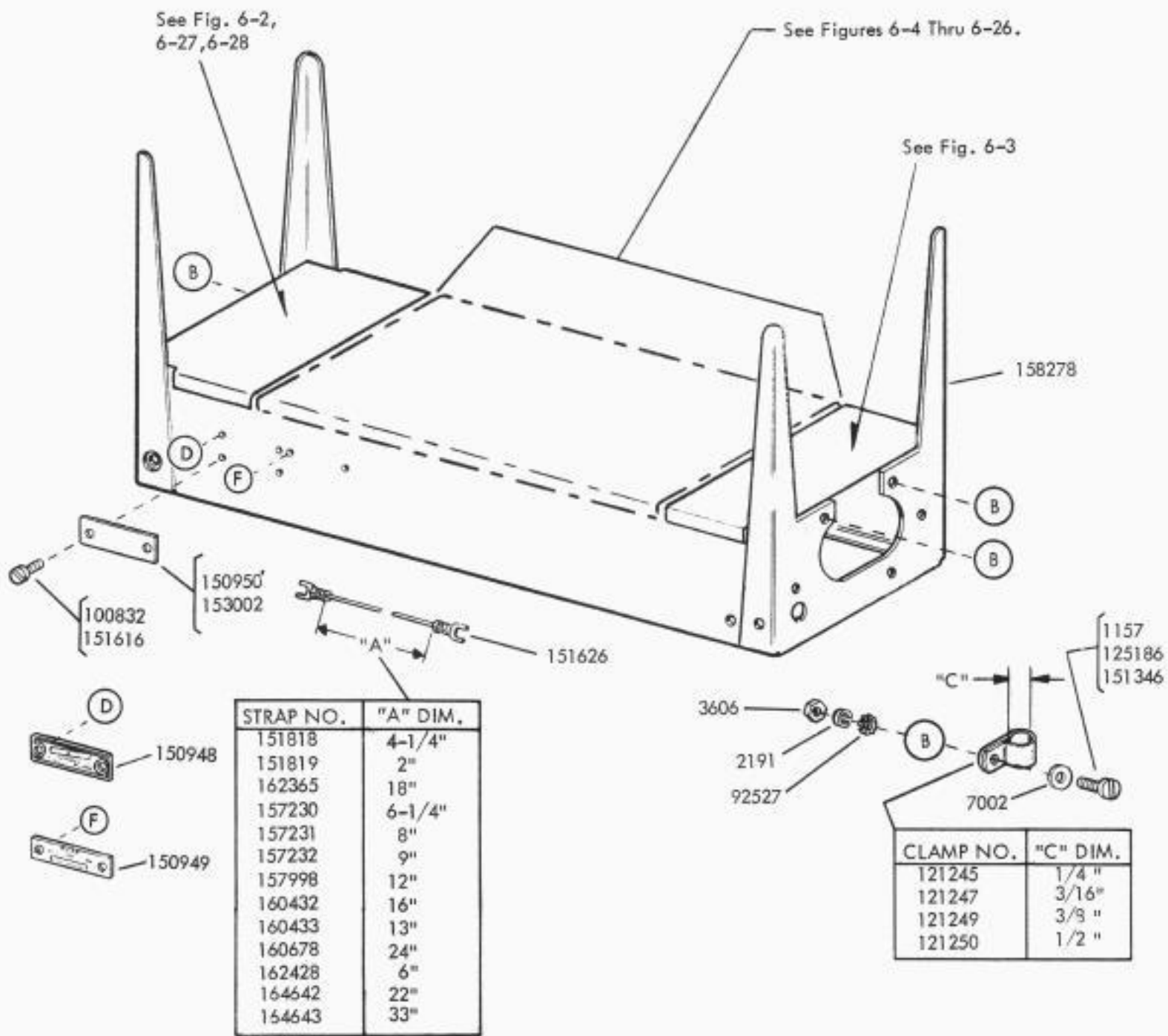


FIGURE 6-1. ELECTRICAL SERVICE UNIT (LESU)

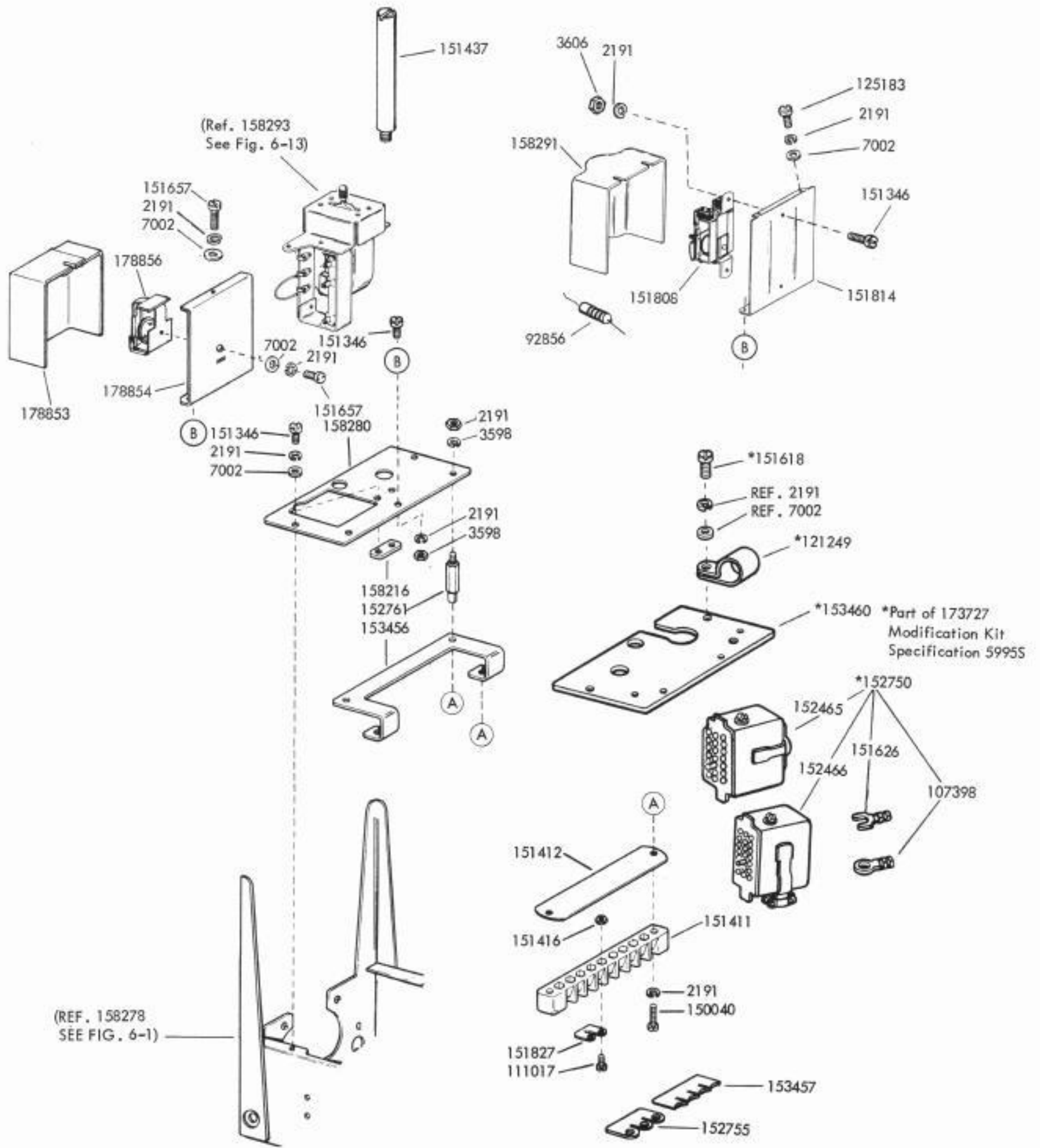


FIGURE 6-2. LINE SHUNT RELAYS

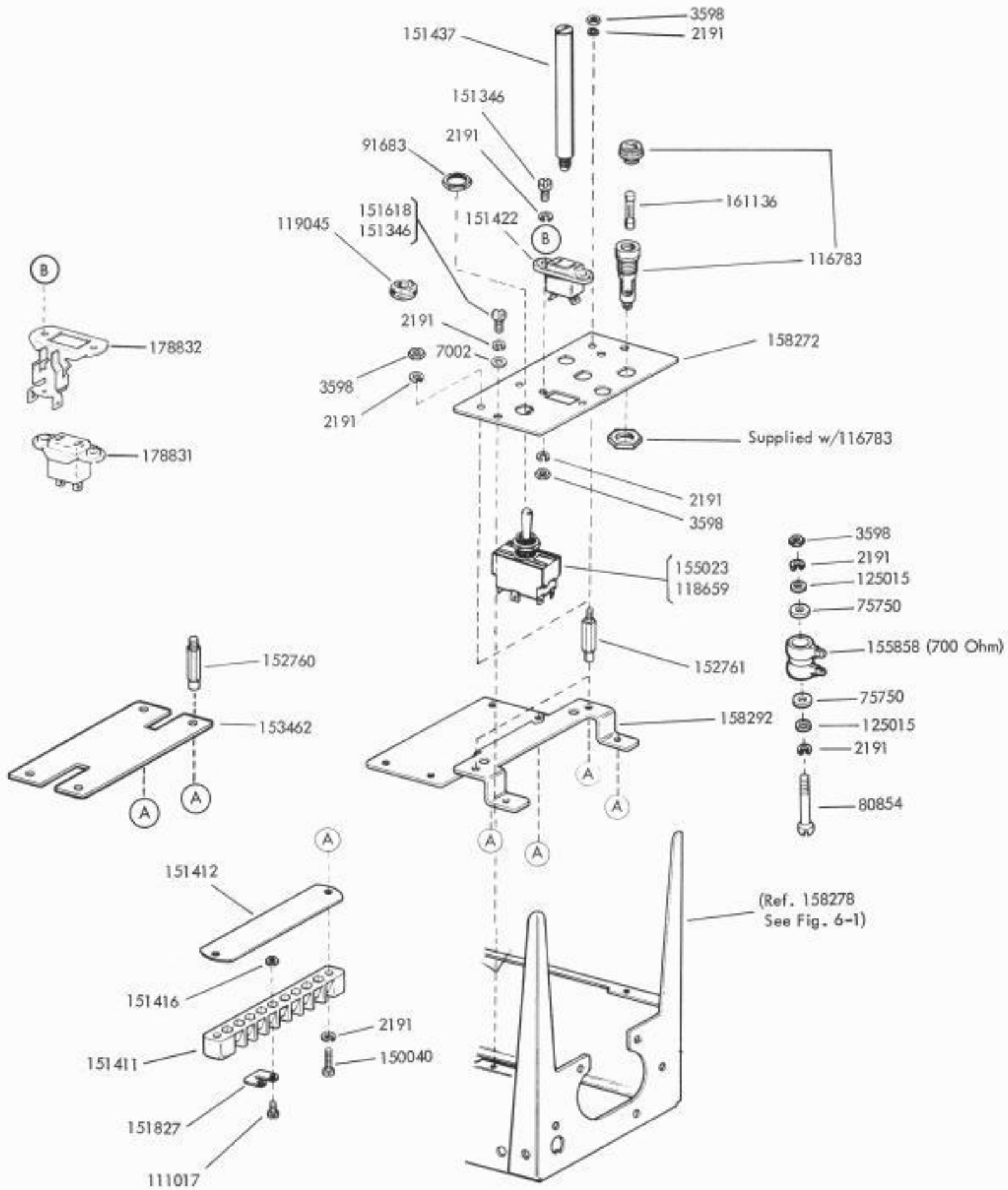


FIGURE 6-3. FUSE MOUNTING PLATE AND TERMINAL BLOCK BRACKETS

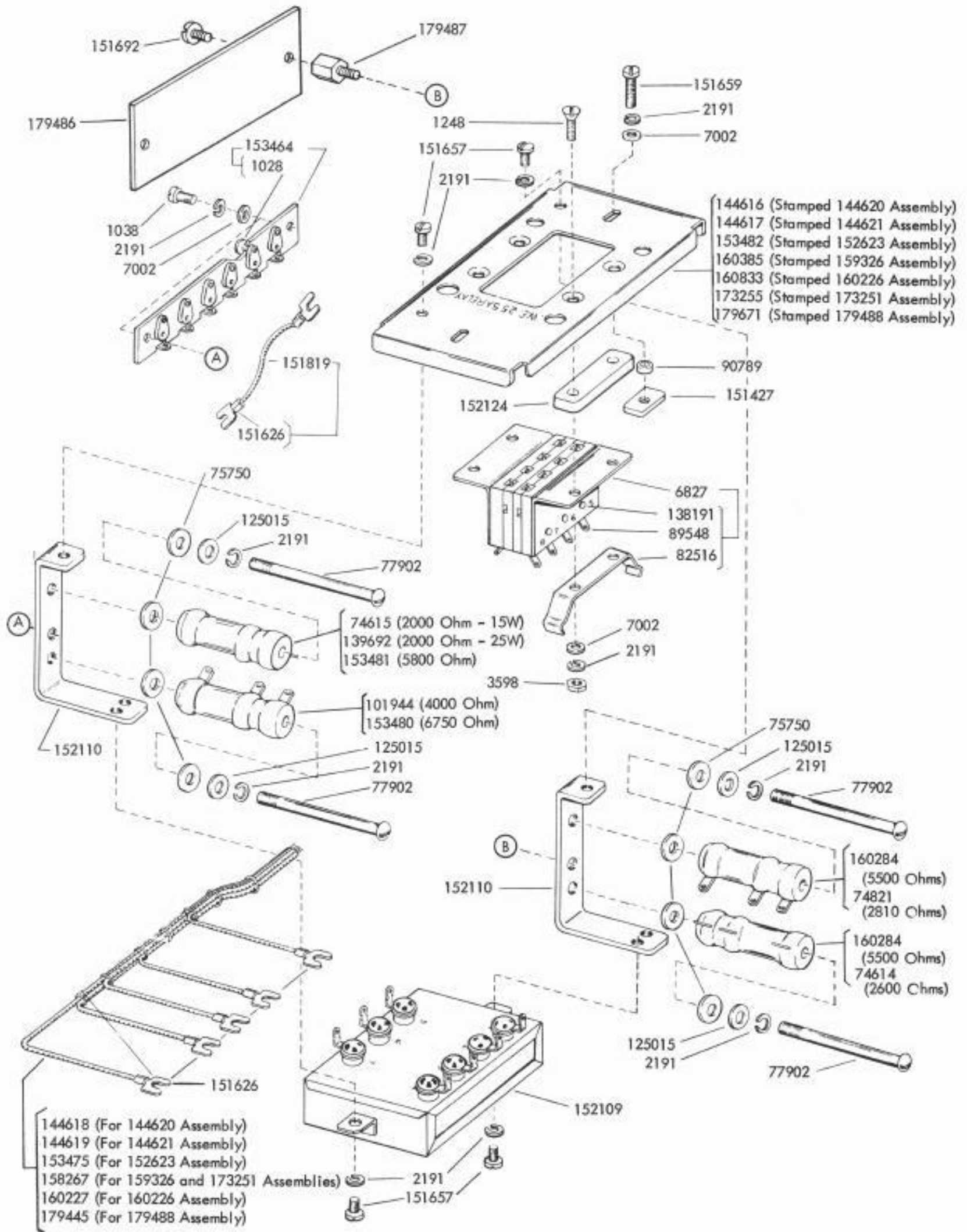


FIGURE 6-4. LINE RELAY MOUNTING

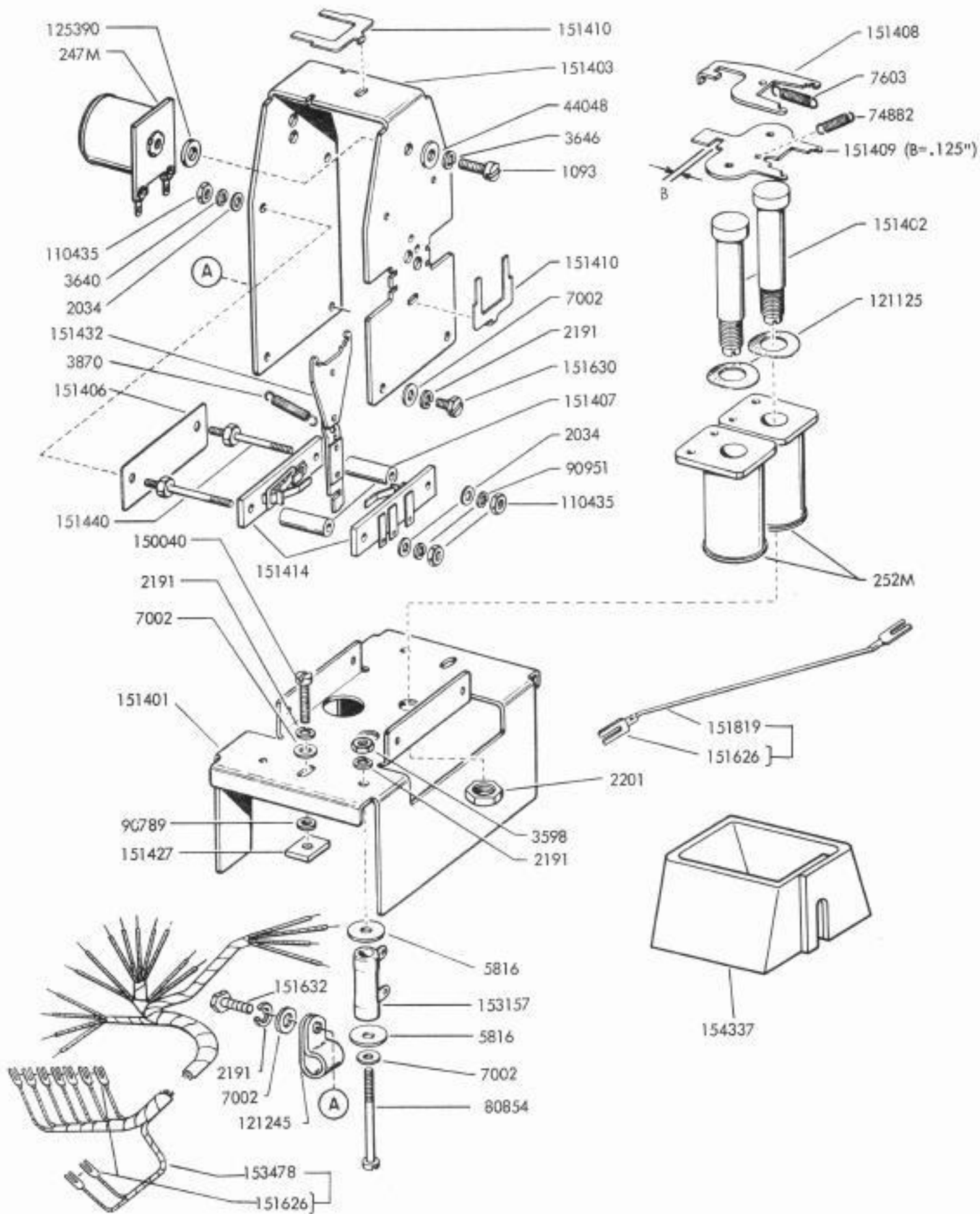
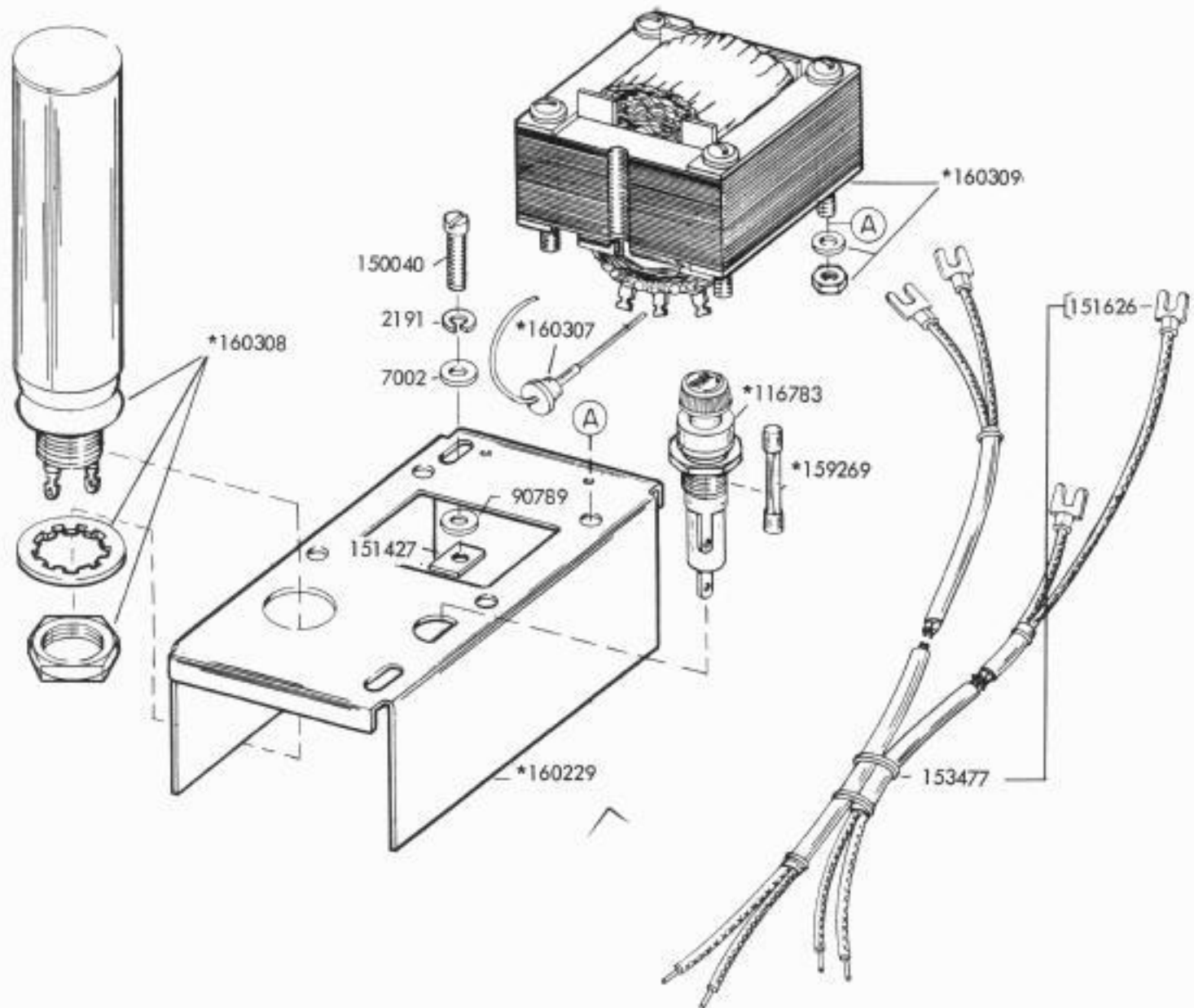
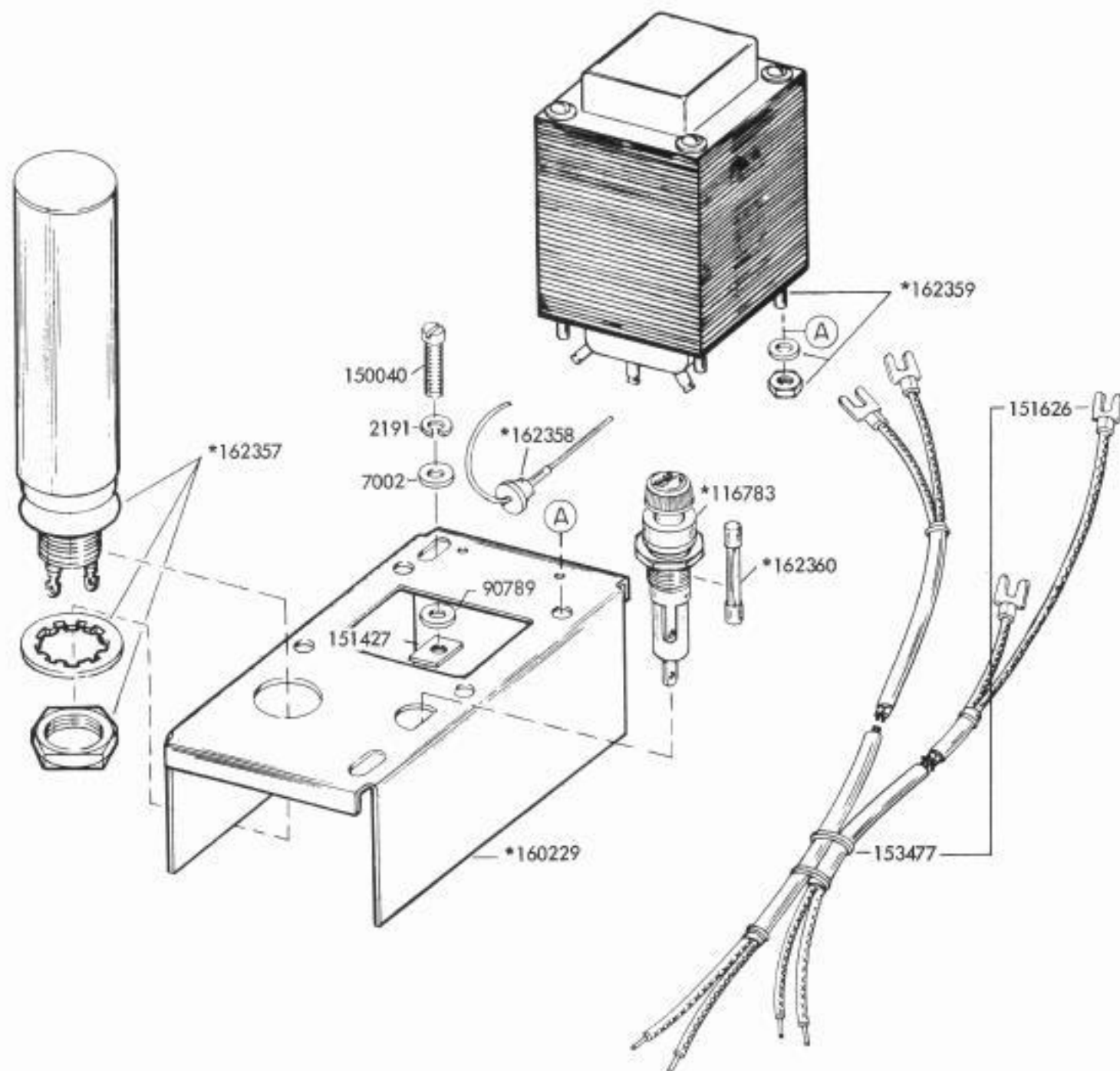


FIGURE 6-5. 153251 ELECTRICAL MOTOR CONTROL ASSEMBLY



See Figure 6-7 for Late Design

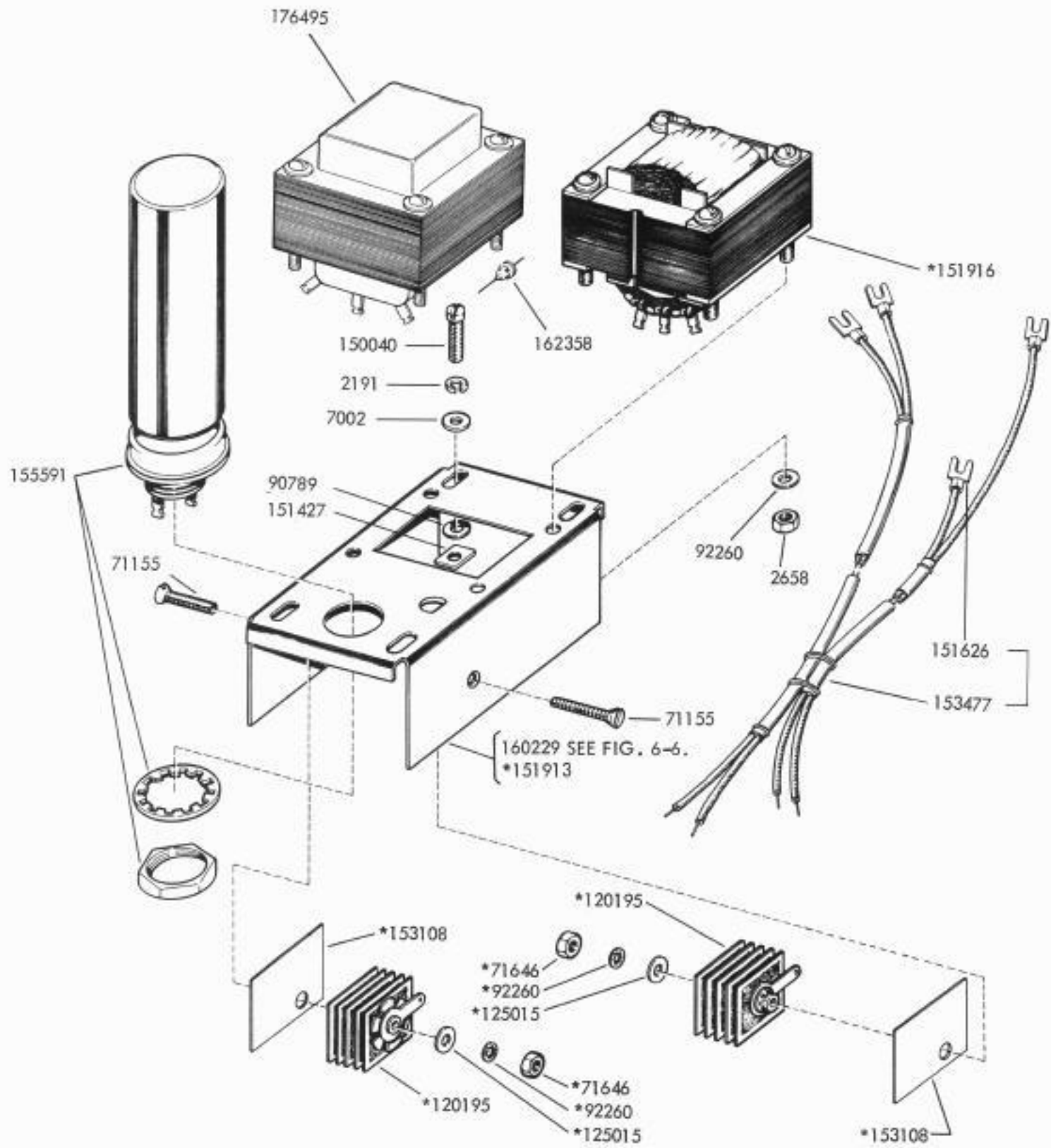
FIGURE 6-6. EARLY DESIGN RECTIFIER AND CABLE ASSEMBLY (300 MA)



See Figure 6-6 for Early Design
SPECIFICATION 57075

*Part of 162356 Rectifier

FIGURE 6-7. 162361 RECTIFIER AND CABLE ASSEMBLY (500 MA)



*Early Design Parts
(120 MA)

FIGURE 6-8. 152950 RECTIFIER AND CABLE ASSEMBLY (150 MA)

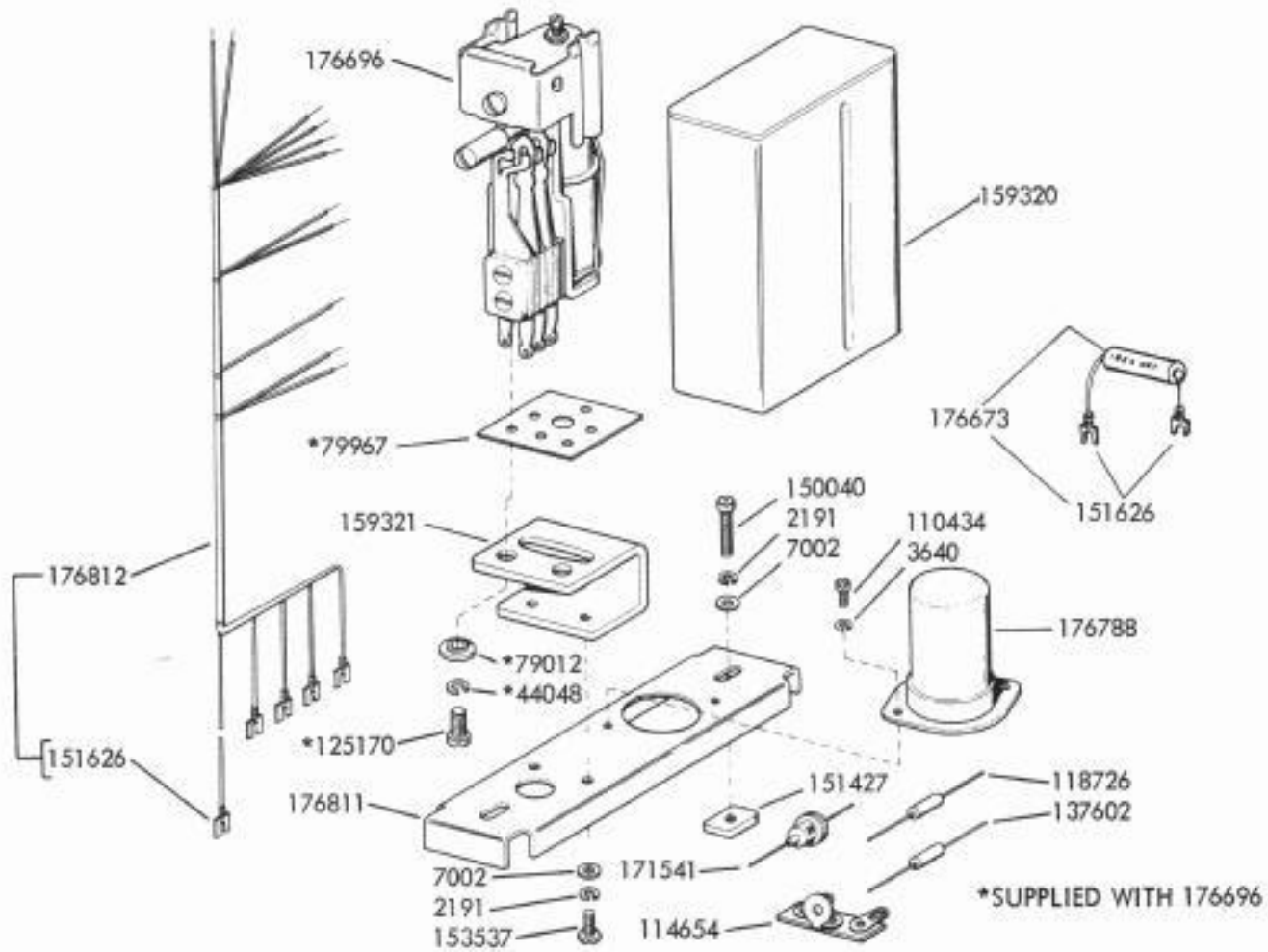


FIGURE 6-9. 176810 ANSWER-BACK CONTROL RELAY ASSEMBLY

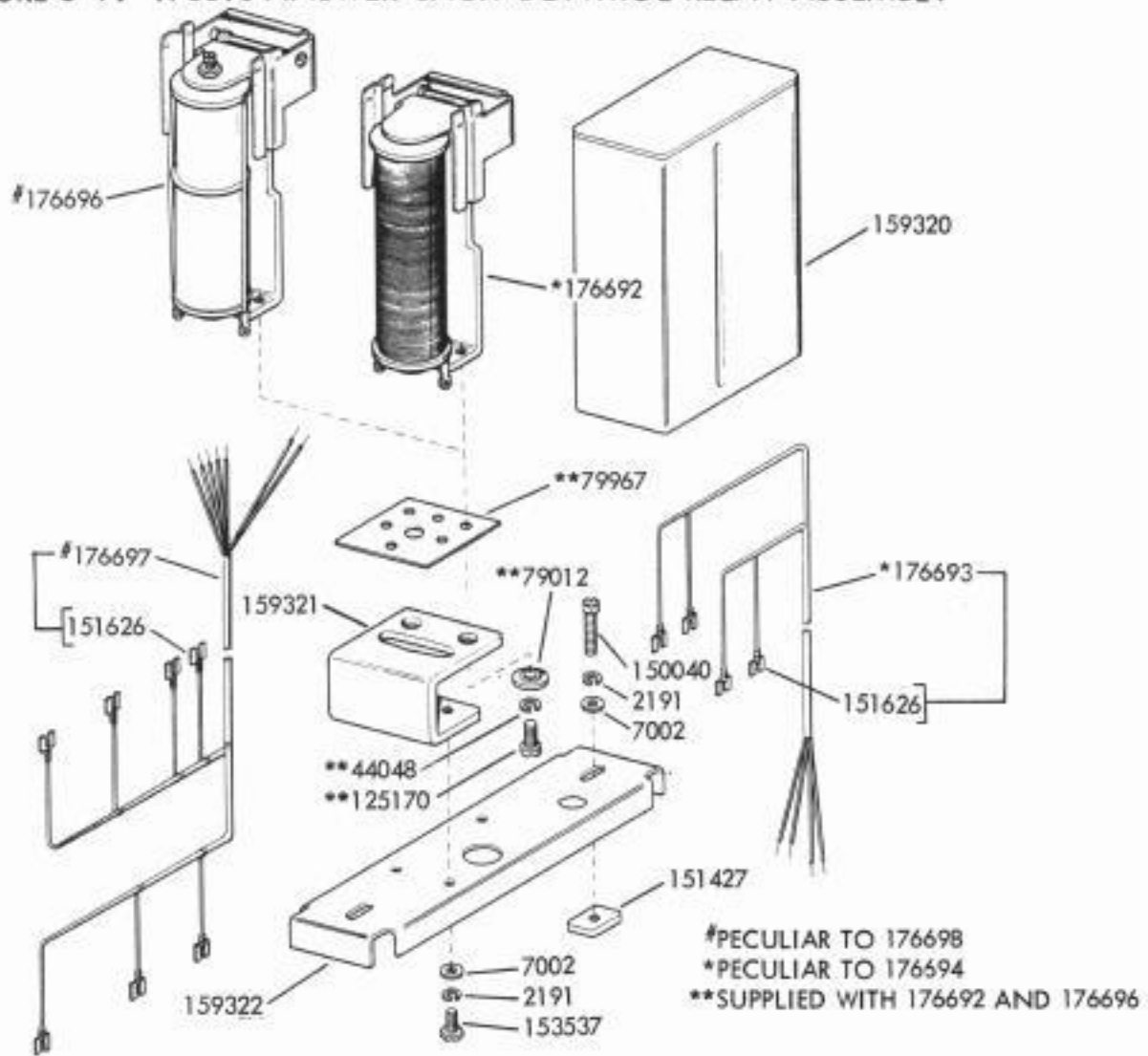


FIGURE 6-10. 176694 (MOTOR CONTROL) AND 176698 (SLOW RELEASE) RELAY ASSEMBLIES

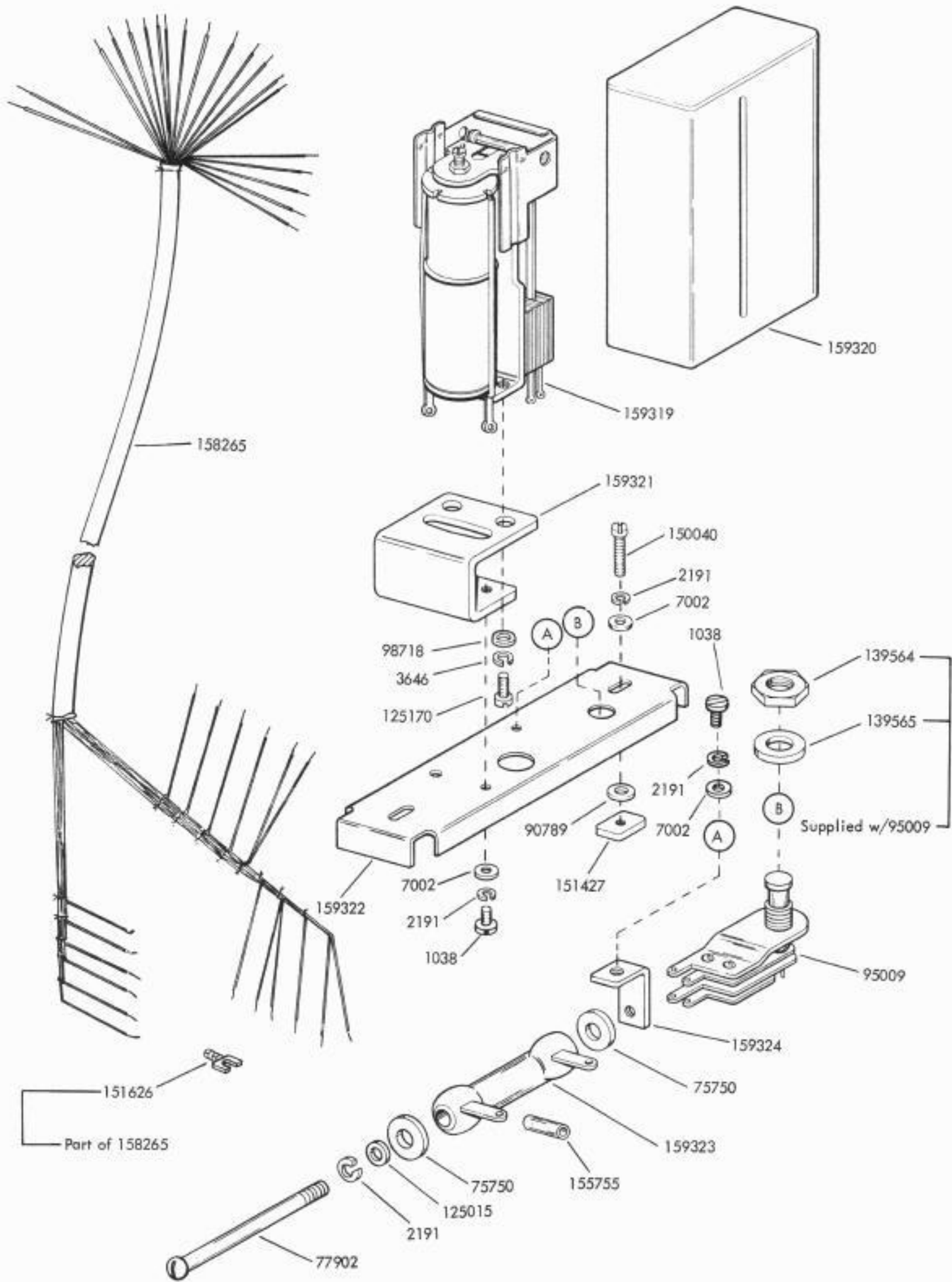
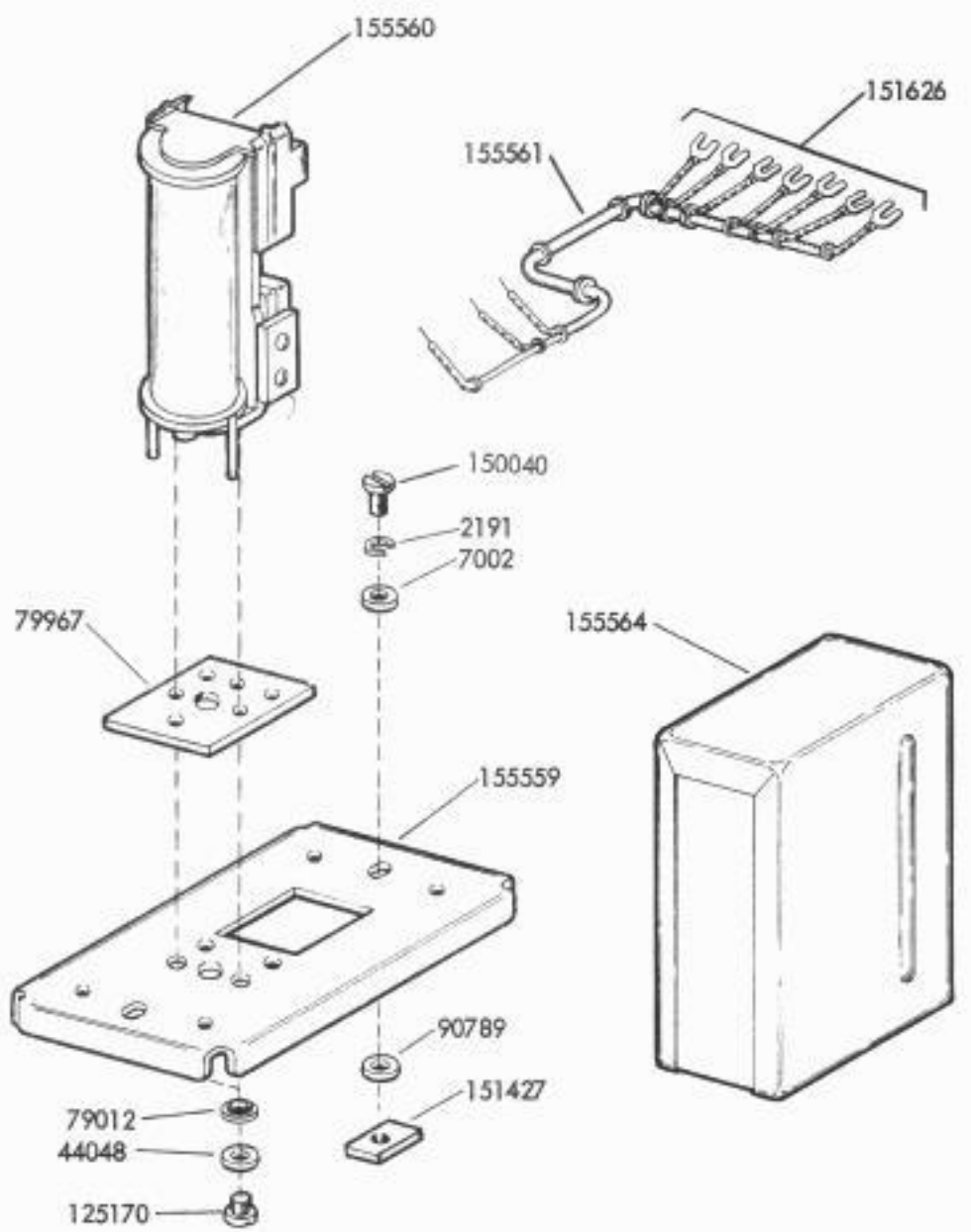


FIGURE 6-11. 159318 SLOW RELEASE RELAY ASSEMBLY



SPECIFICATION 58815

FIGURE 6-12. 15558 D.C. CONTROL RELAY ASSEMBLY

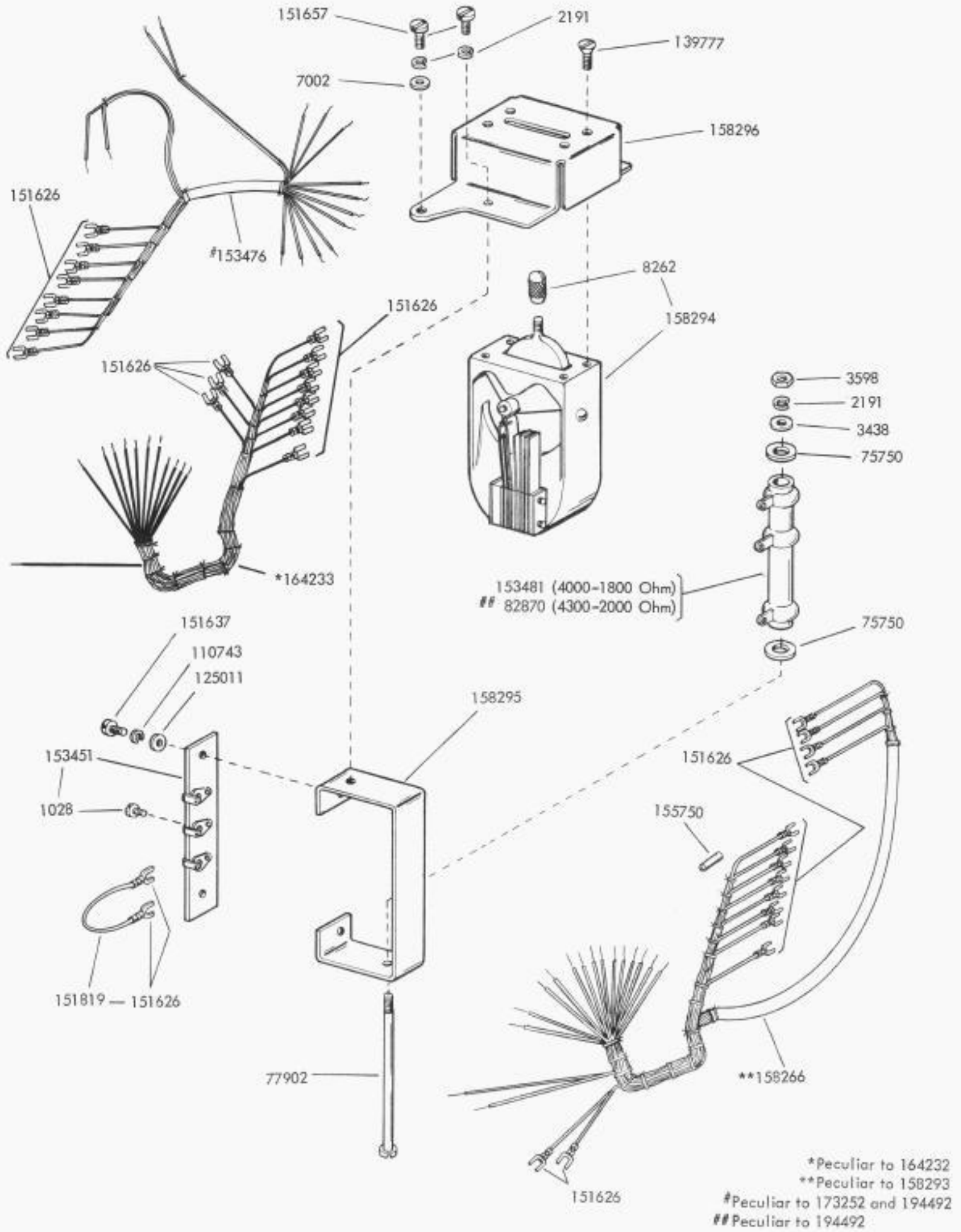
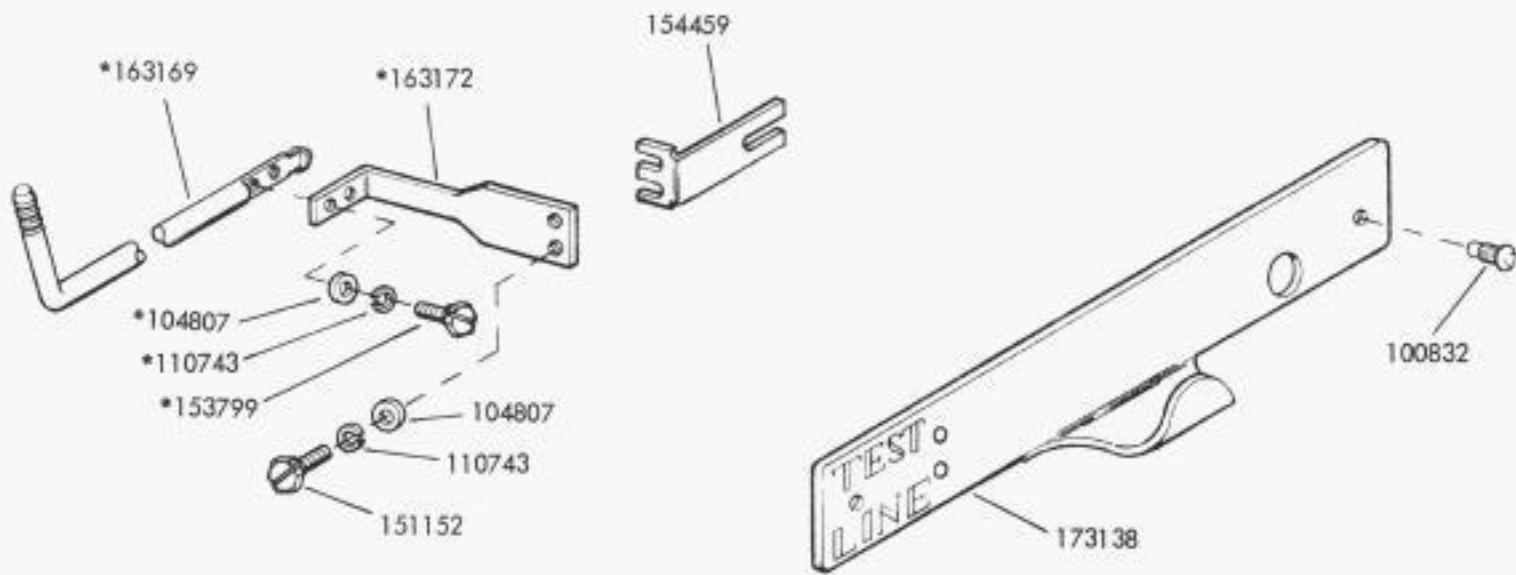
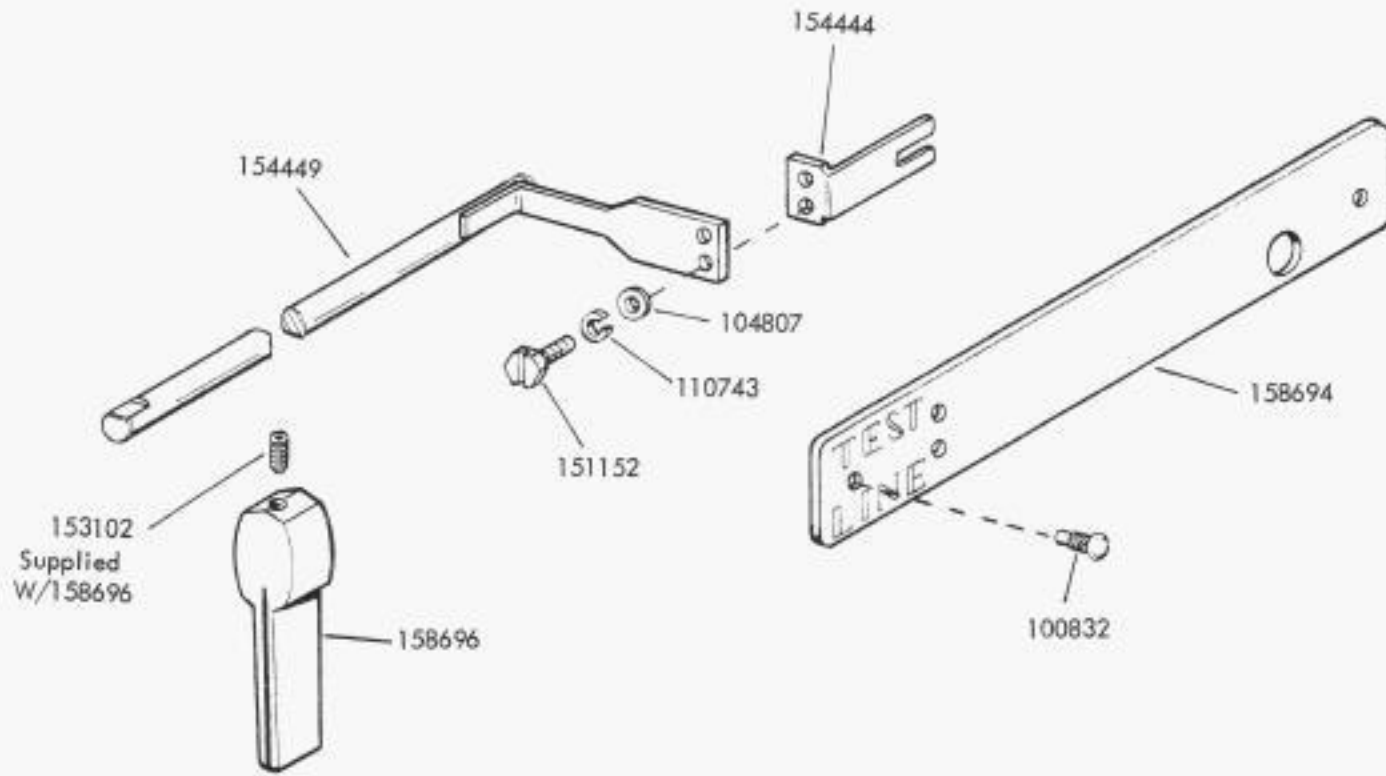


FIGURE 6-13. 158293, 164232, 173252 AND 194492 LINE TEST KEY ASSEMBLIES



*Part of 162630 Modification Kit Specification 501055

FIGURE 6-14. LINE TEST KEY CONTROL

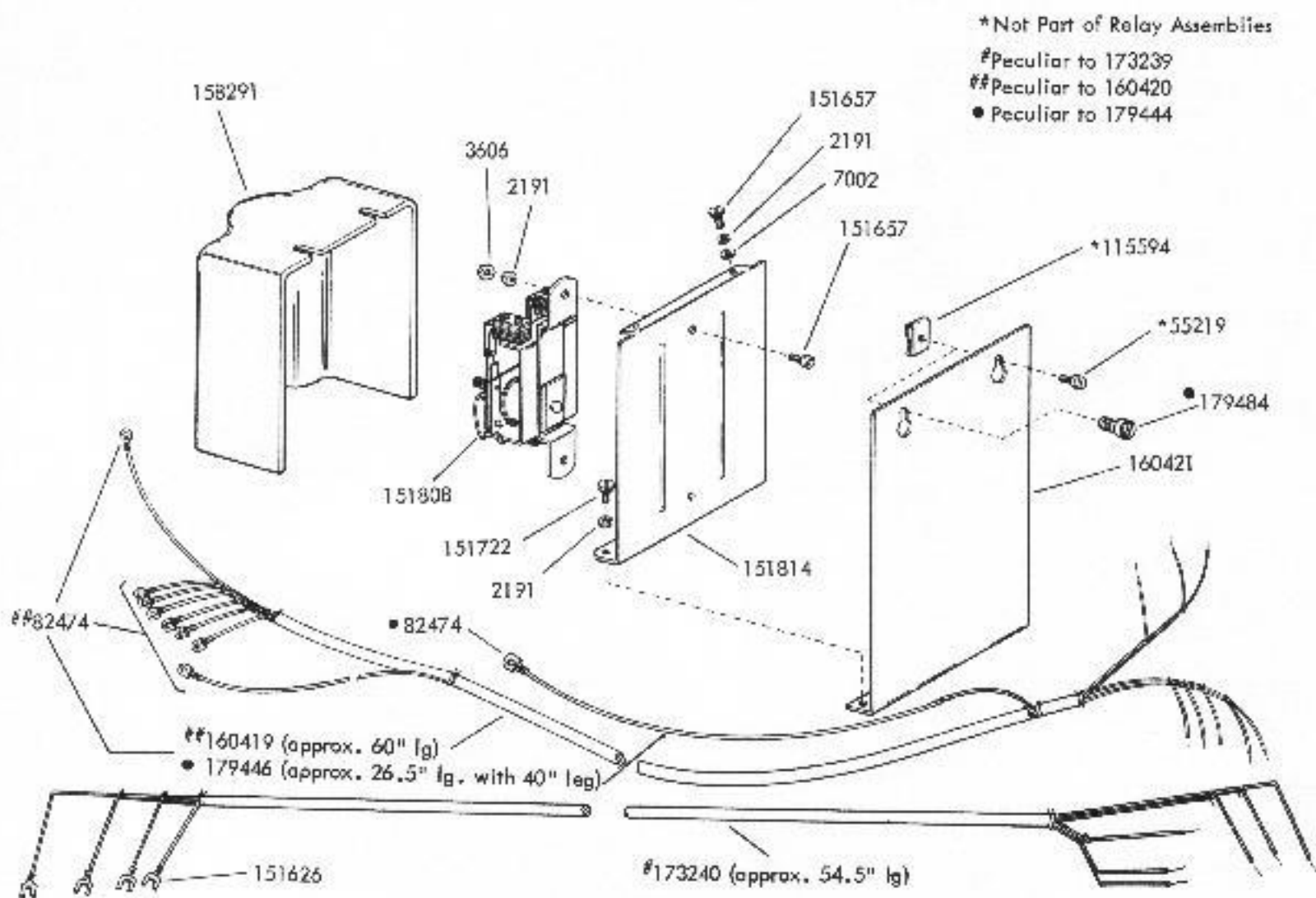
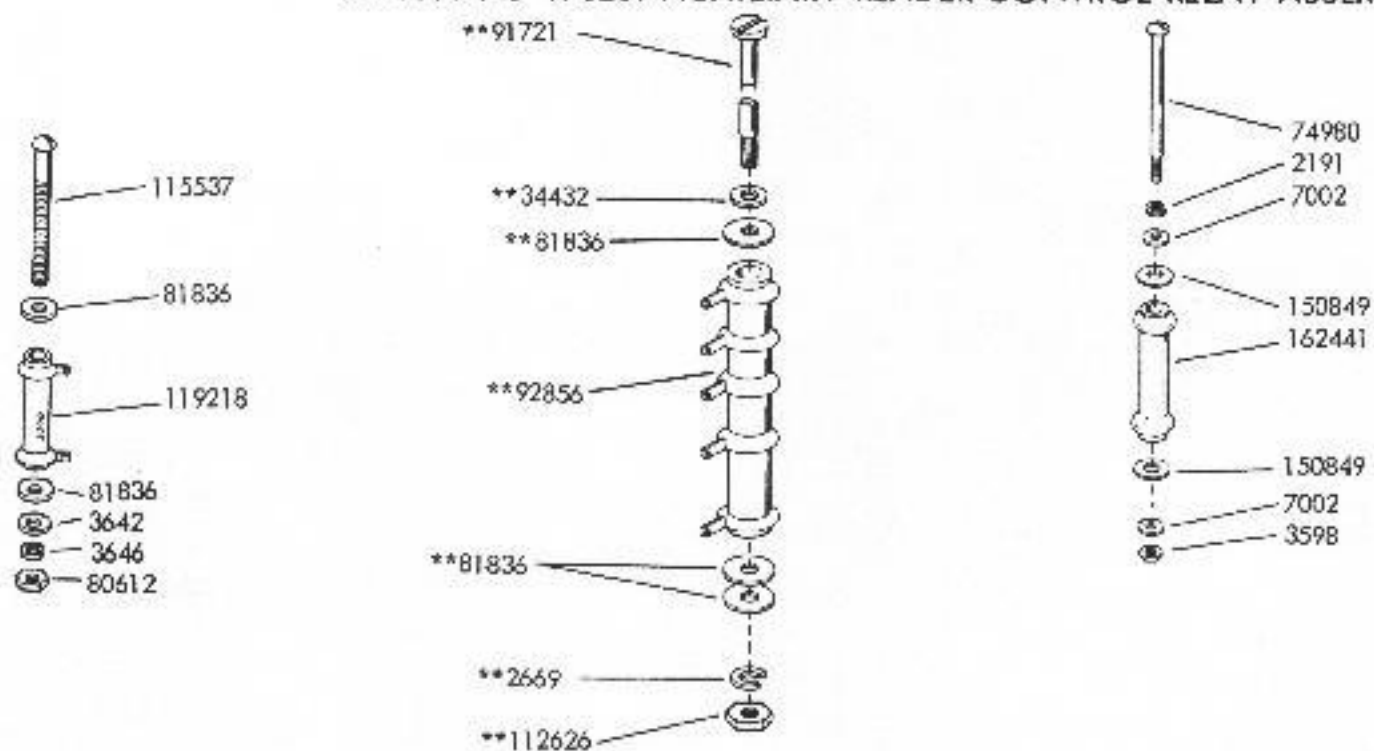


FIGURE 6-15. 160420 AUXILIARY LINE SHUNT RELAY ASSEMBLY
 179444 AND 173239 AUXILIARY READER CONTROL RELAY ASSEMBLIES



**Part of the 93073 Modification Kit

FIGURE 6-16. RESISTOR ASSEMBLIES

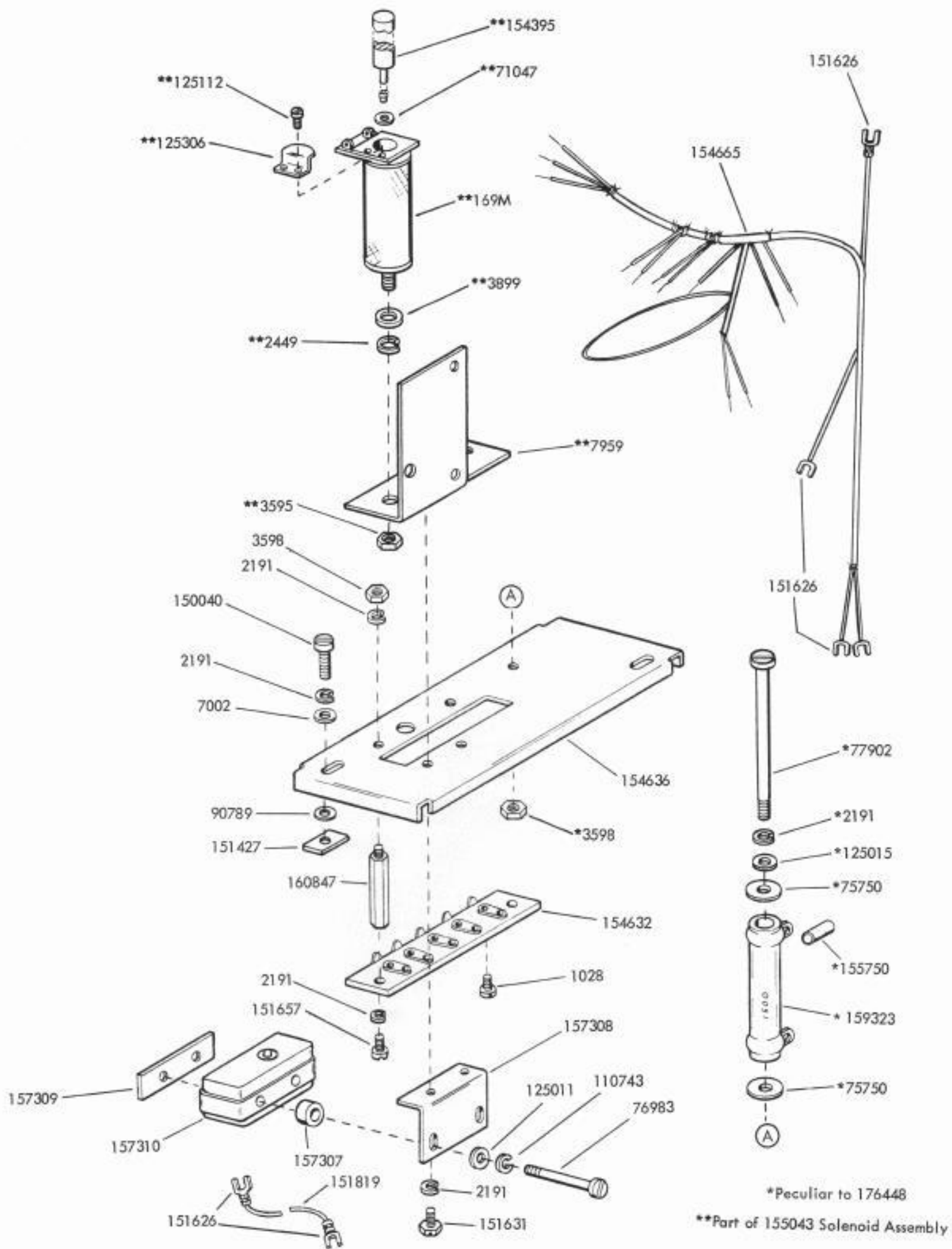


FIGURE 6-17. 152332 AND 176448 RELAY MOTOR CONTROL ASSEMBLIES

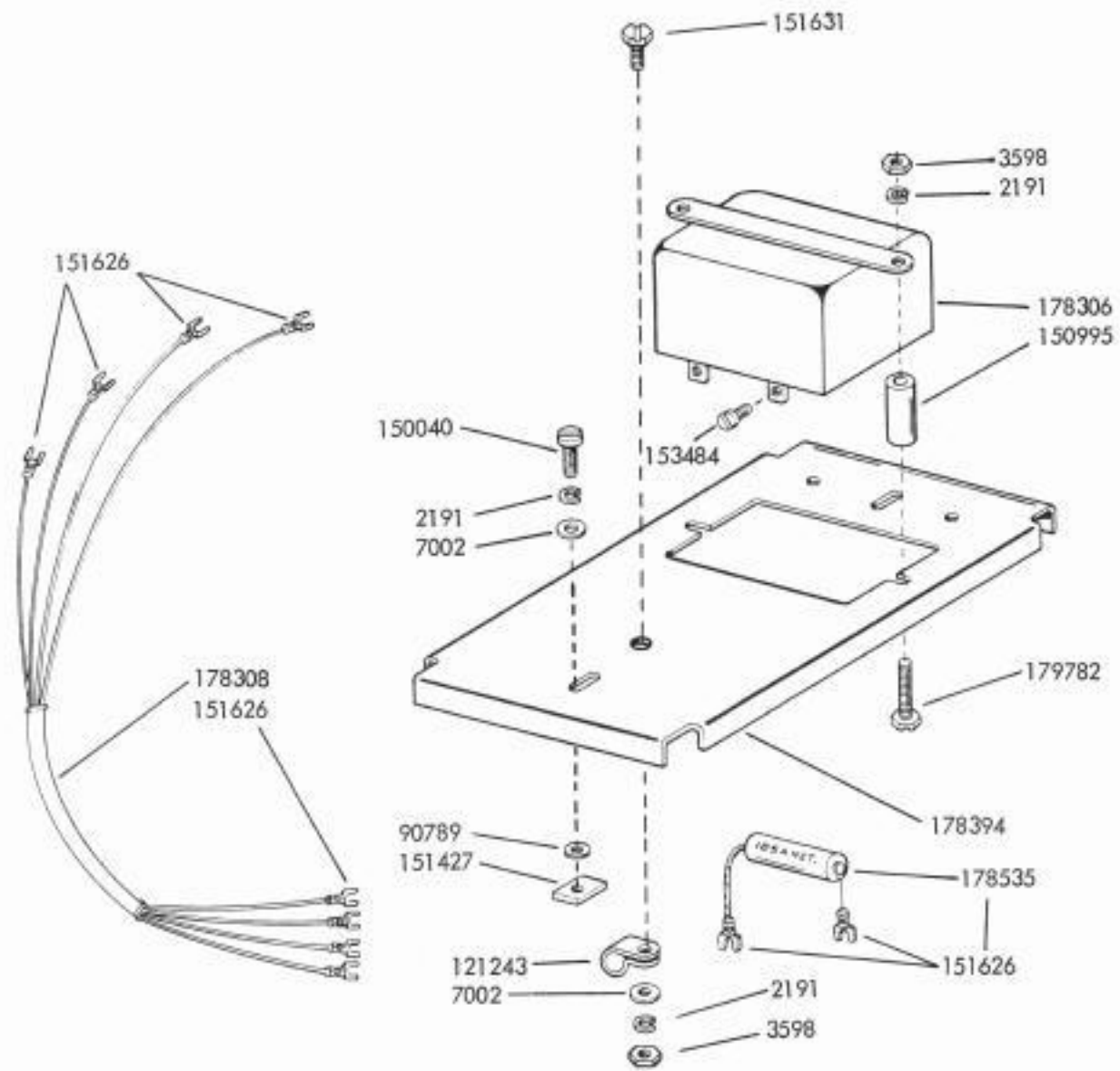


FIGURE 6-18. 178307 MOTOR CONTROL RELAY ASSEMBLY

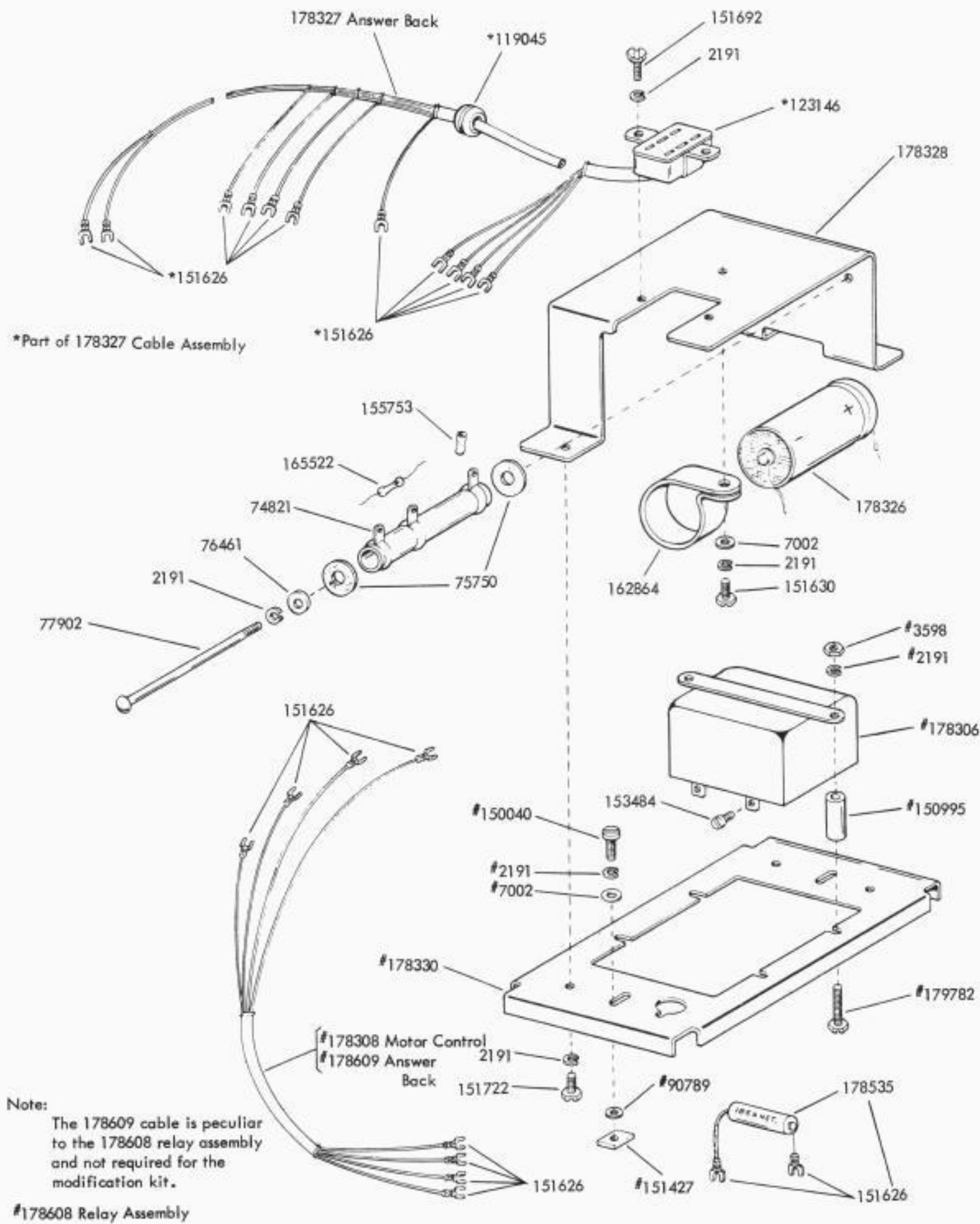
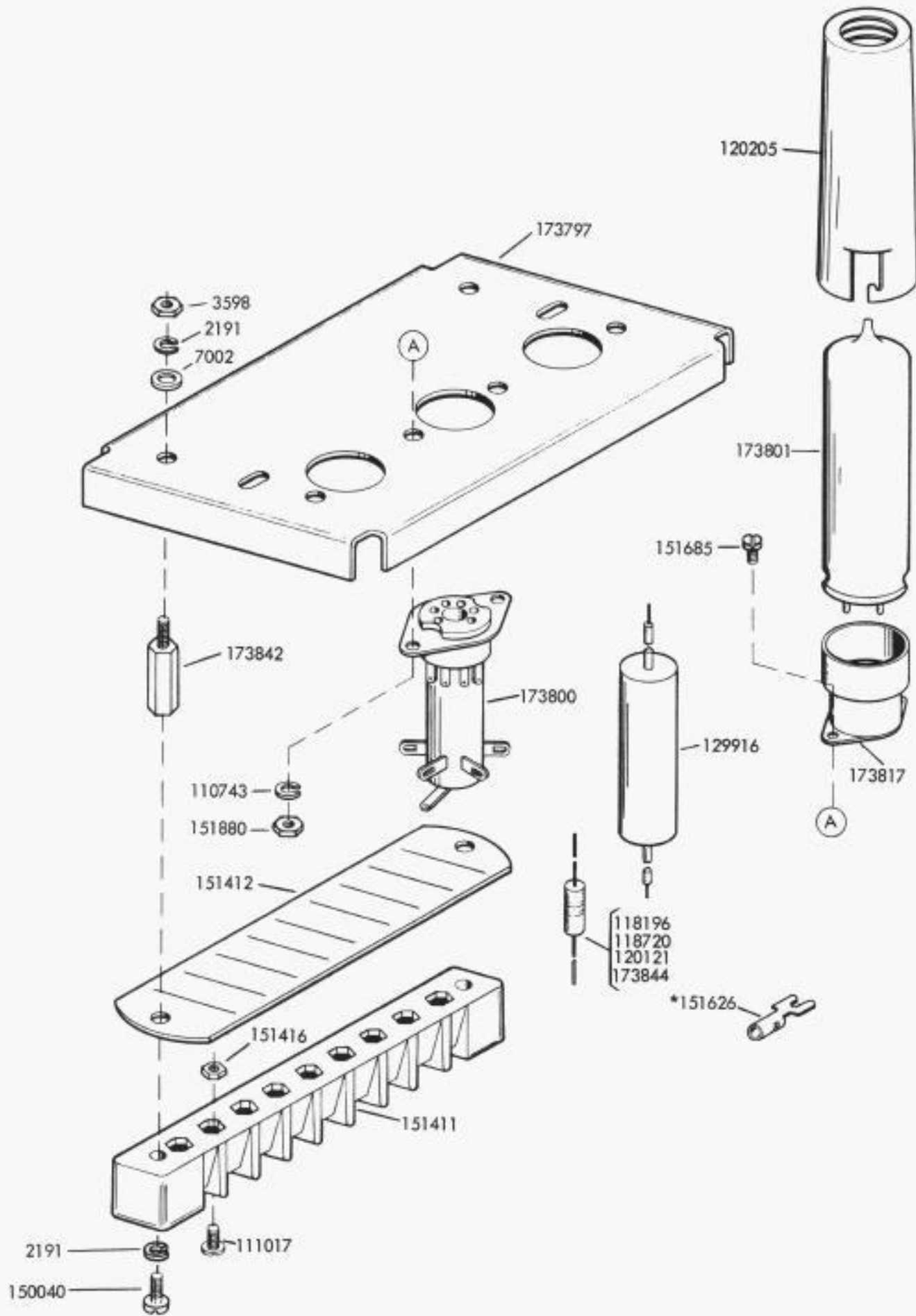


FIGURE 6-19. 178345 MODIFICATION KIT TO PROVIDE MOTOR CONTROL AND ANSWER BACK RELAYS



*Peculiar to 173452

FIGURE 6-20. 173452 ELECTRONIC KEYSER ASSEMBLY

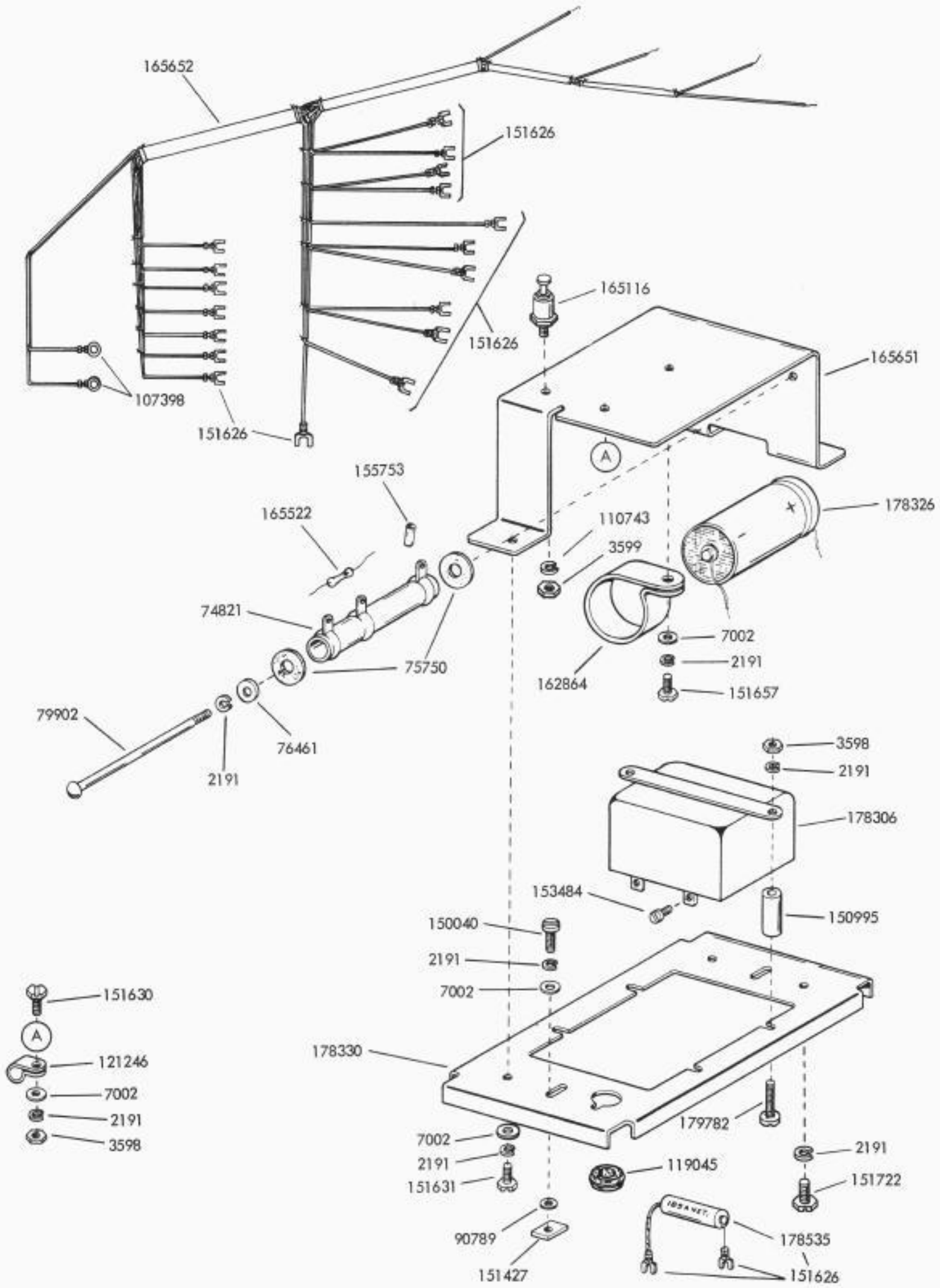


FIGURE 6-21. 165650 MOTOR CONTROL AND ANSWER BACK RELAY ASSEMBLY

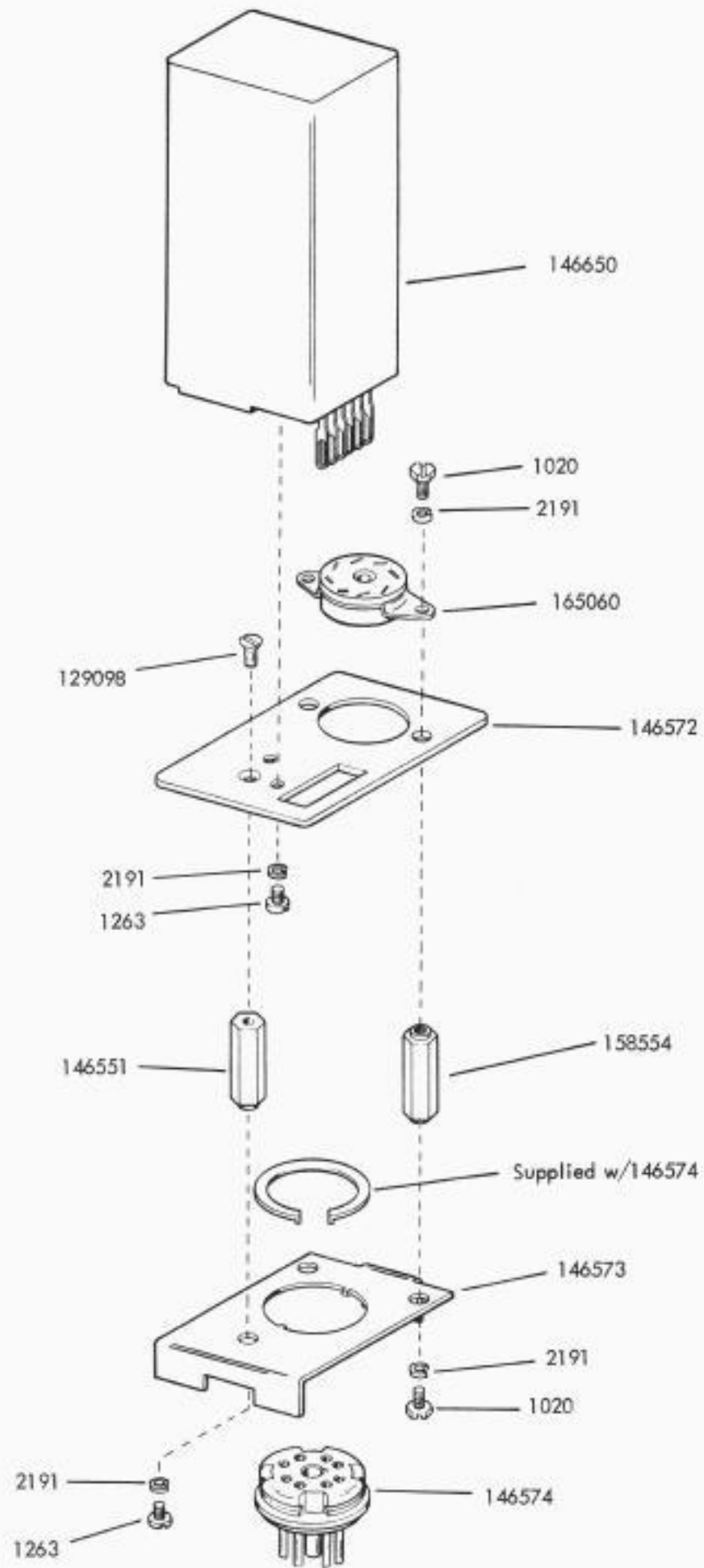
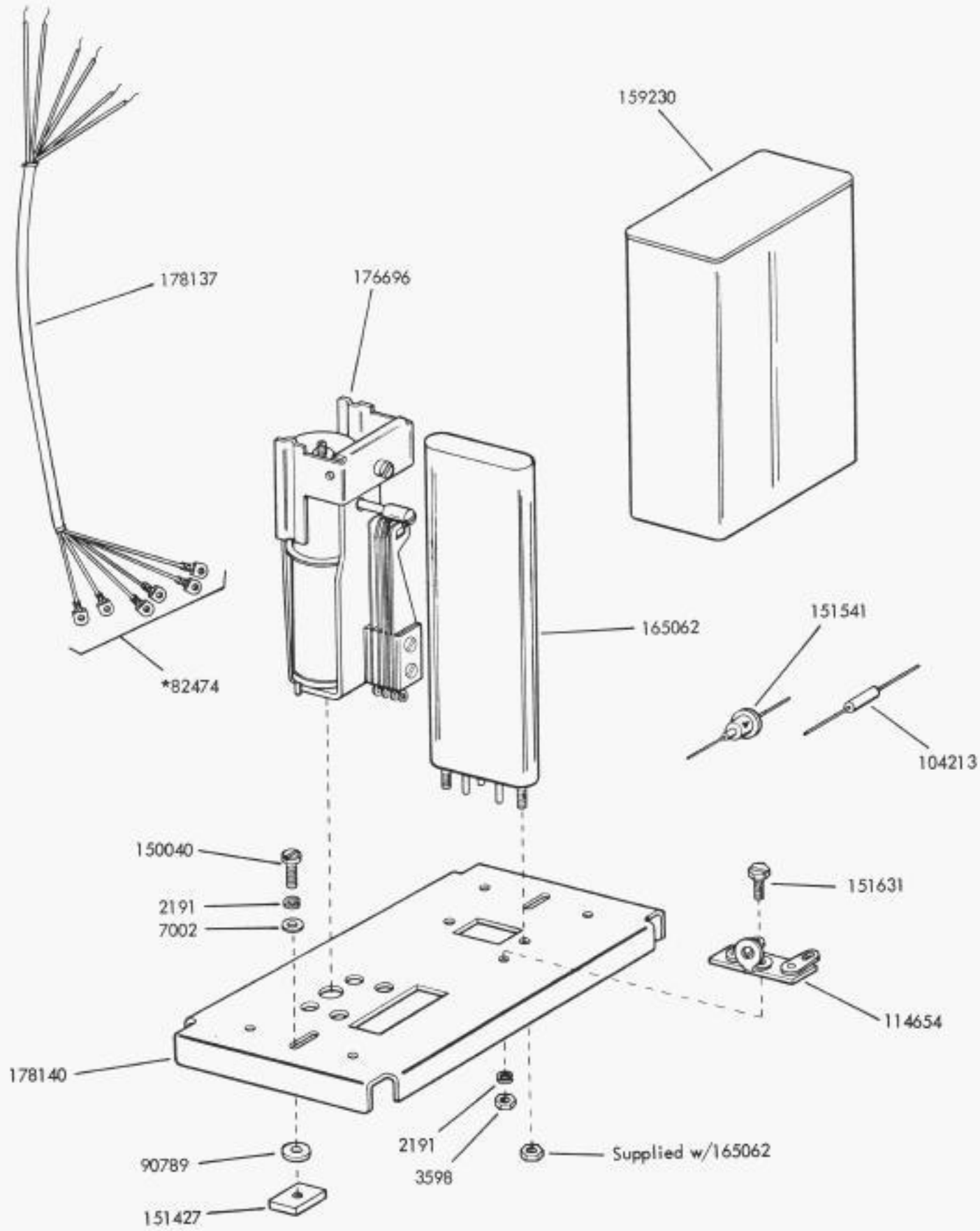


FIGURE 6-22. 146652 MODIFICATION KIT TO ADD WAVE SHAPING INDUCTOR



*Part of 178137 Cable Assembly

FIGURE 6-23. 178138 SLOW RELEASE RELAY ASSEMBLY (NON-CONTENTION)

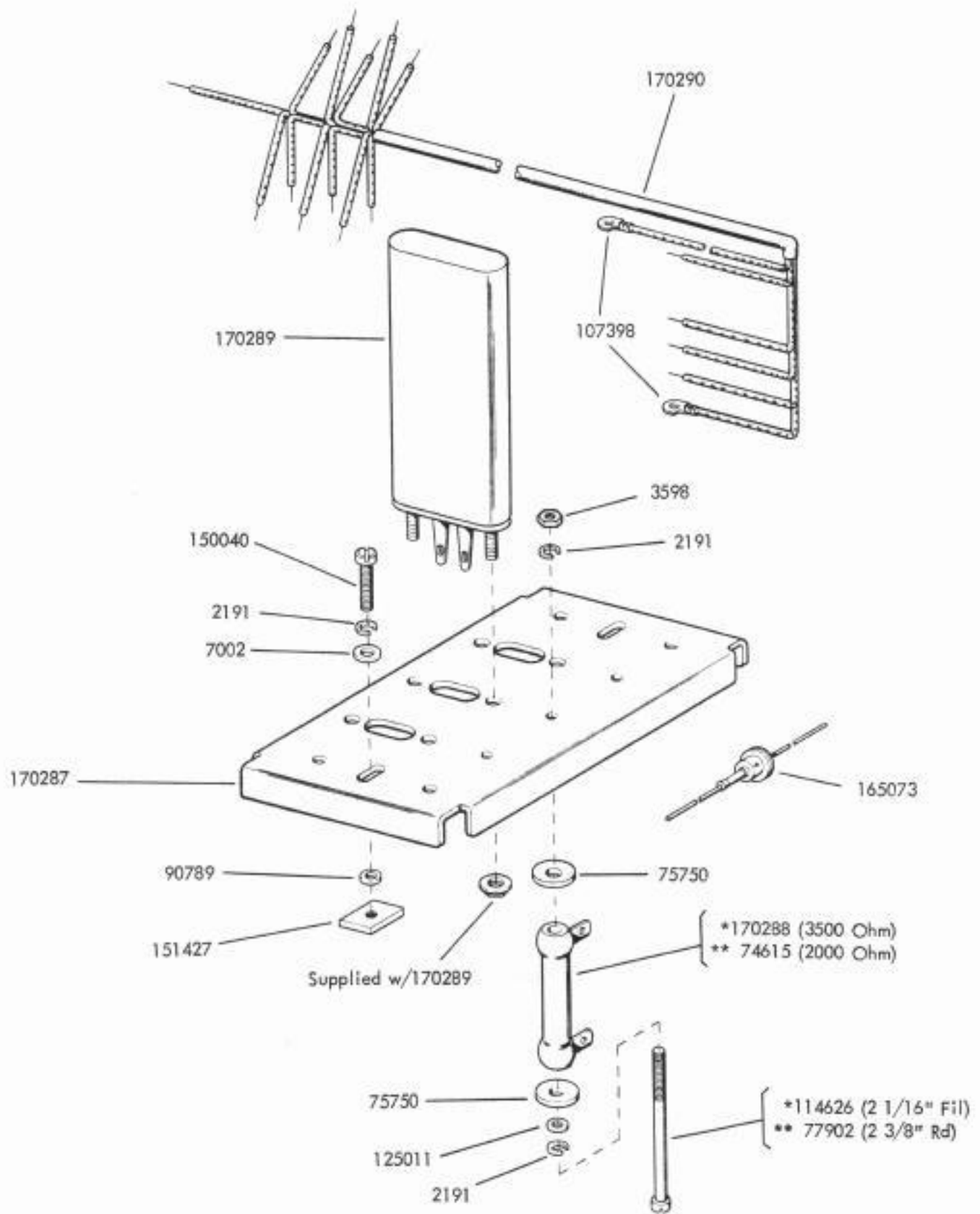


FIGURE 6-24. 170285 AND 173281 RESISTOR ASSEMBLIES

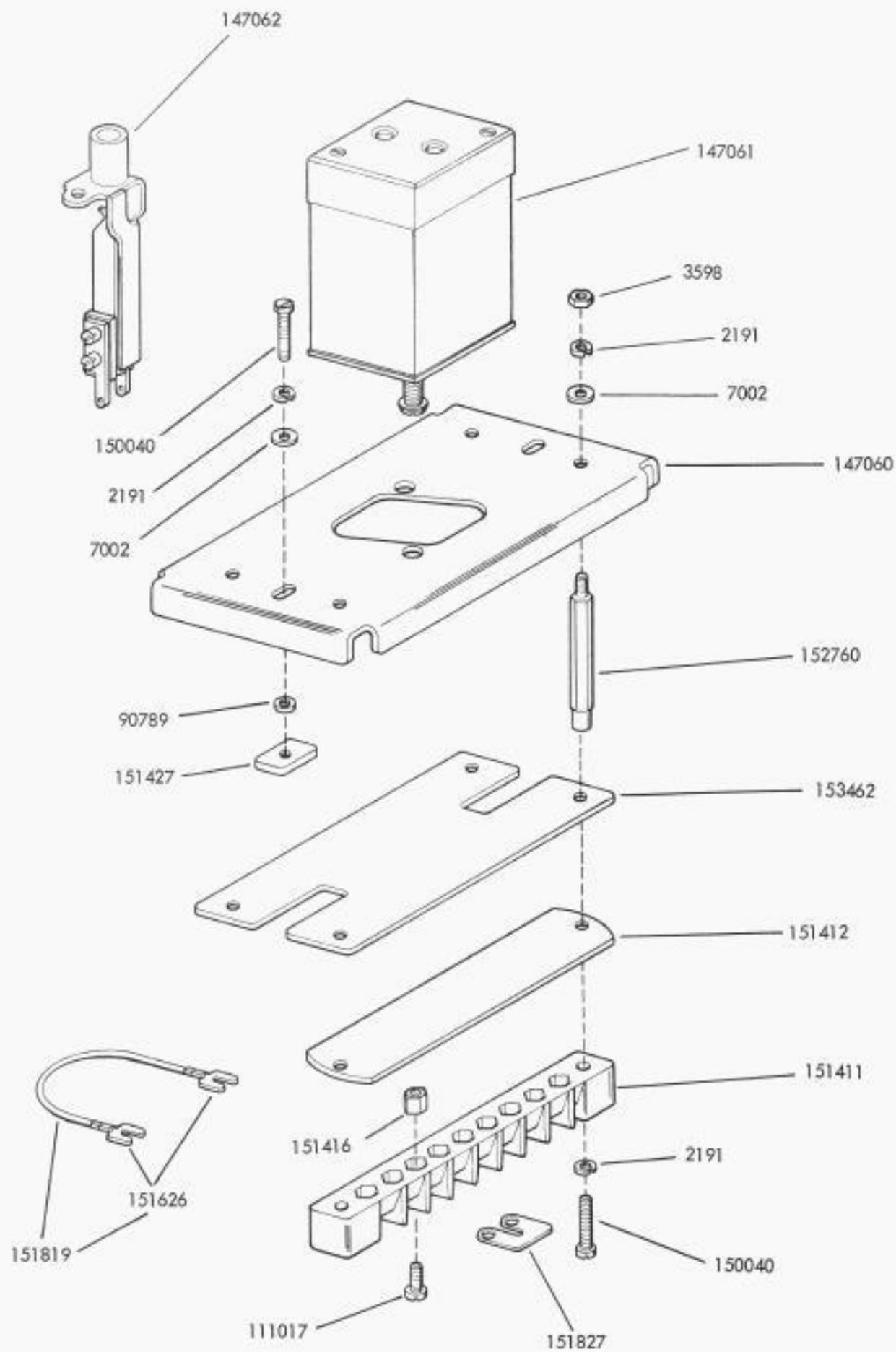
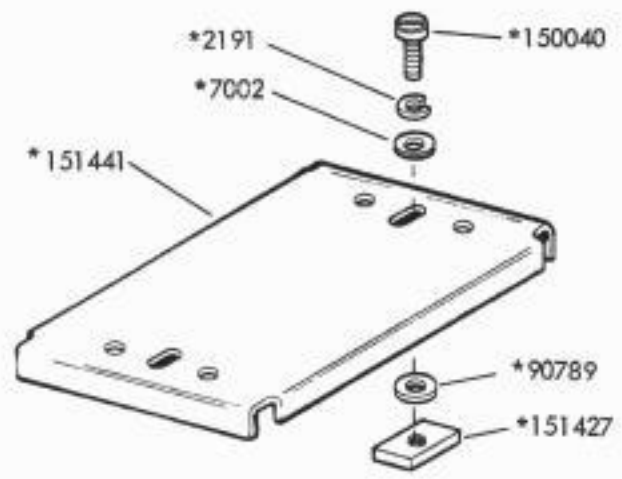
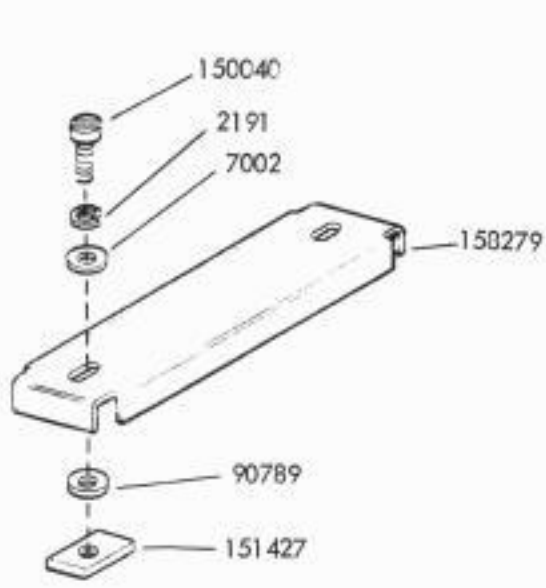
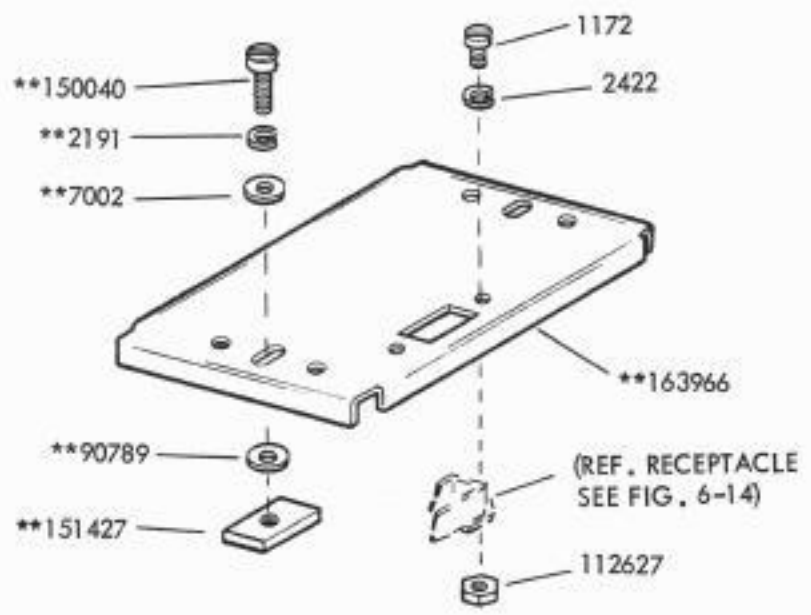


FIGURE 6-25. 147059 LINE JACK ASSEMBLY



*Part of 152757



** Part of 163965

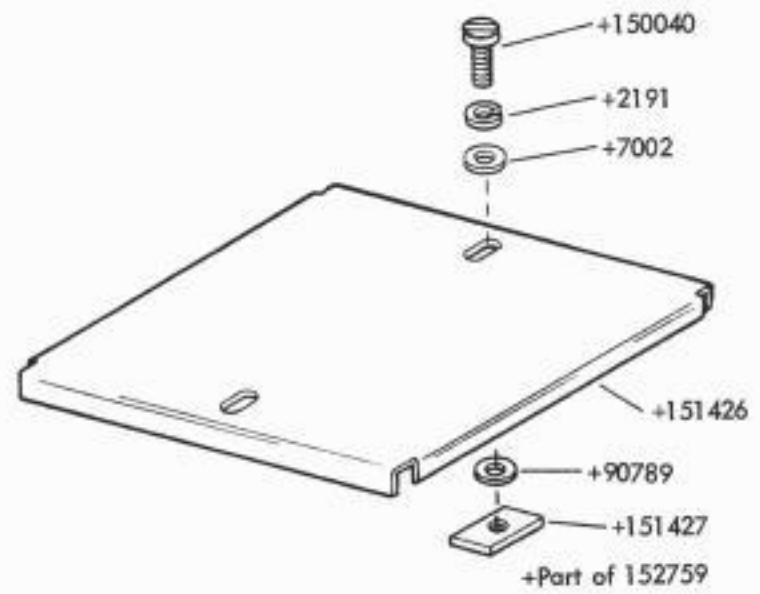
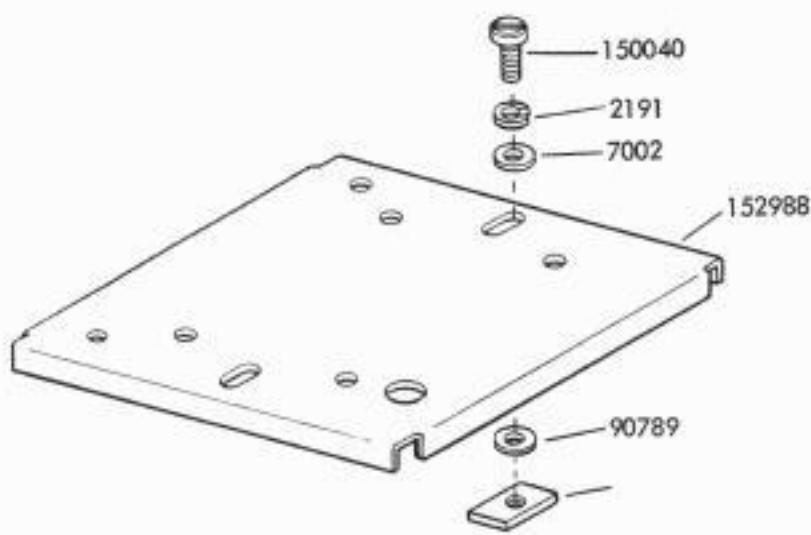


FIGURE 6-26. BLANK PLATE ASSEMBLIES

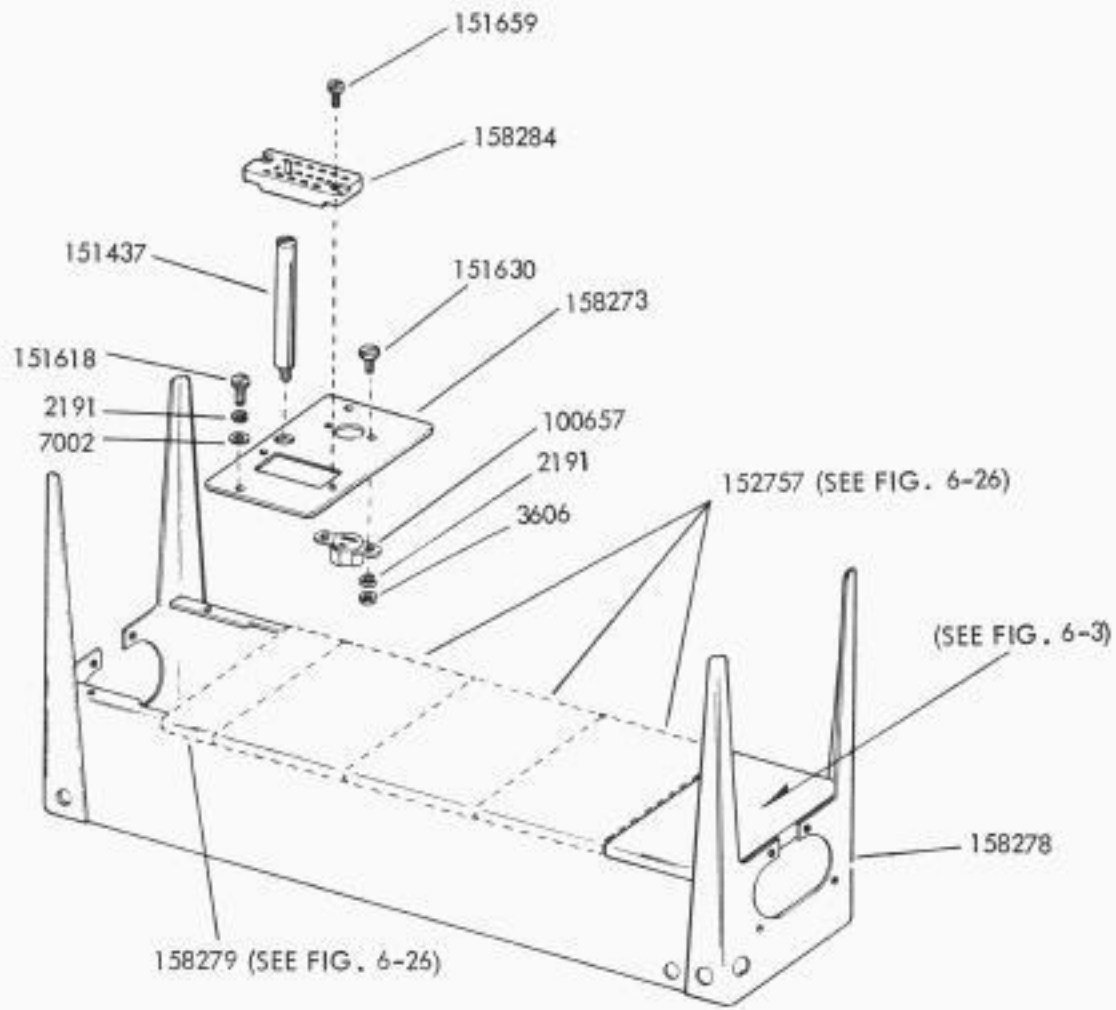


FIGURE 6-27. PECULIARITIES OF ELECTRICAL SERVICE UNIT

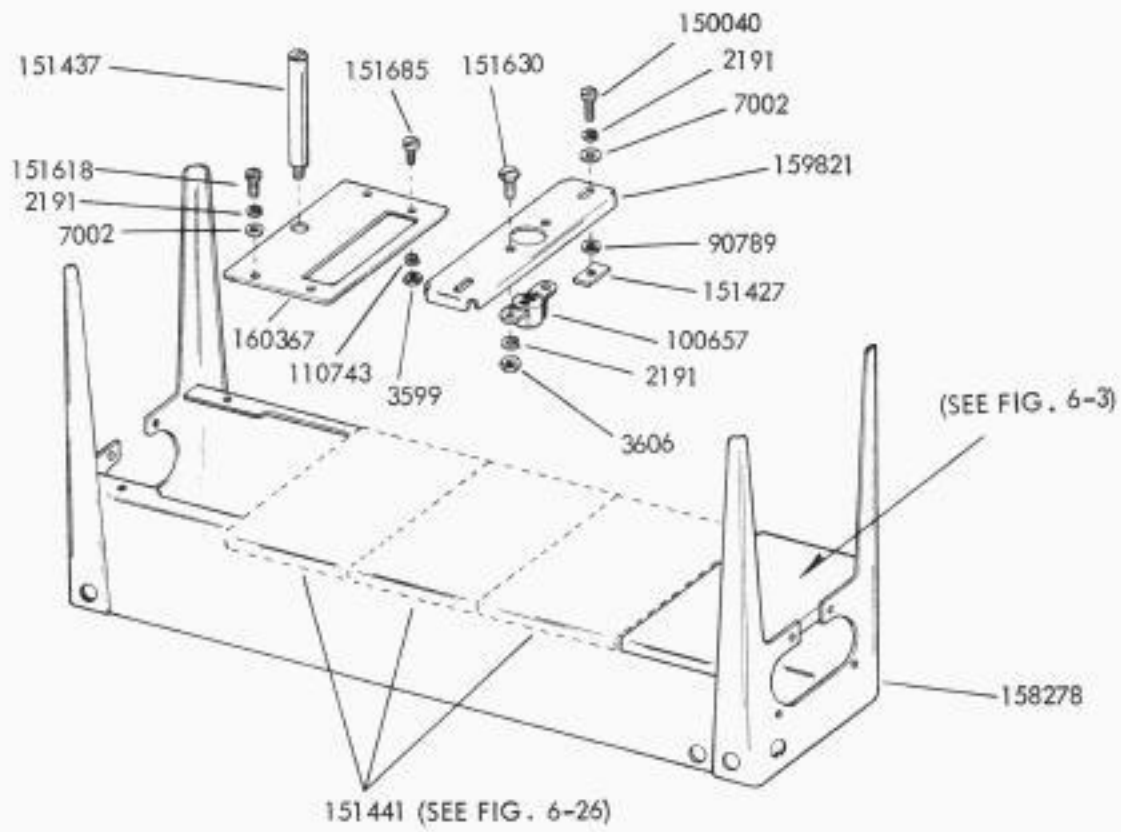


FIGURE 6-28. PECULIARITIES OF ELECTRICAL SERVICE UNIT

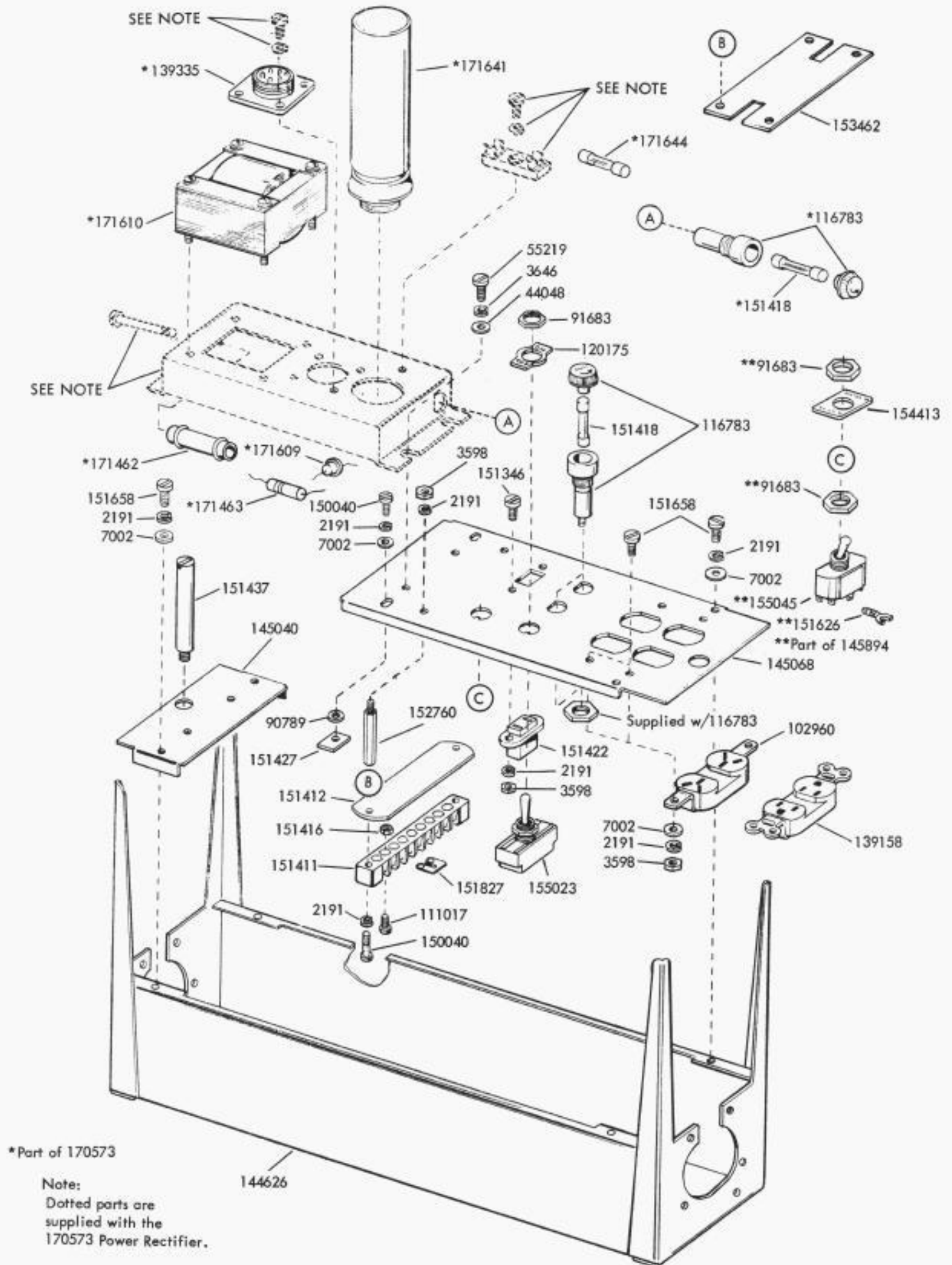


FIGURE 6-29. ELECTRICAL SERVICE UNIT

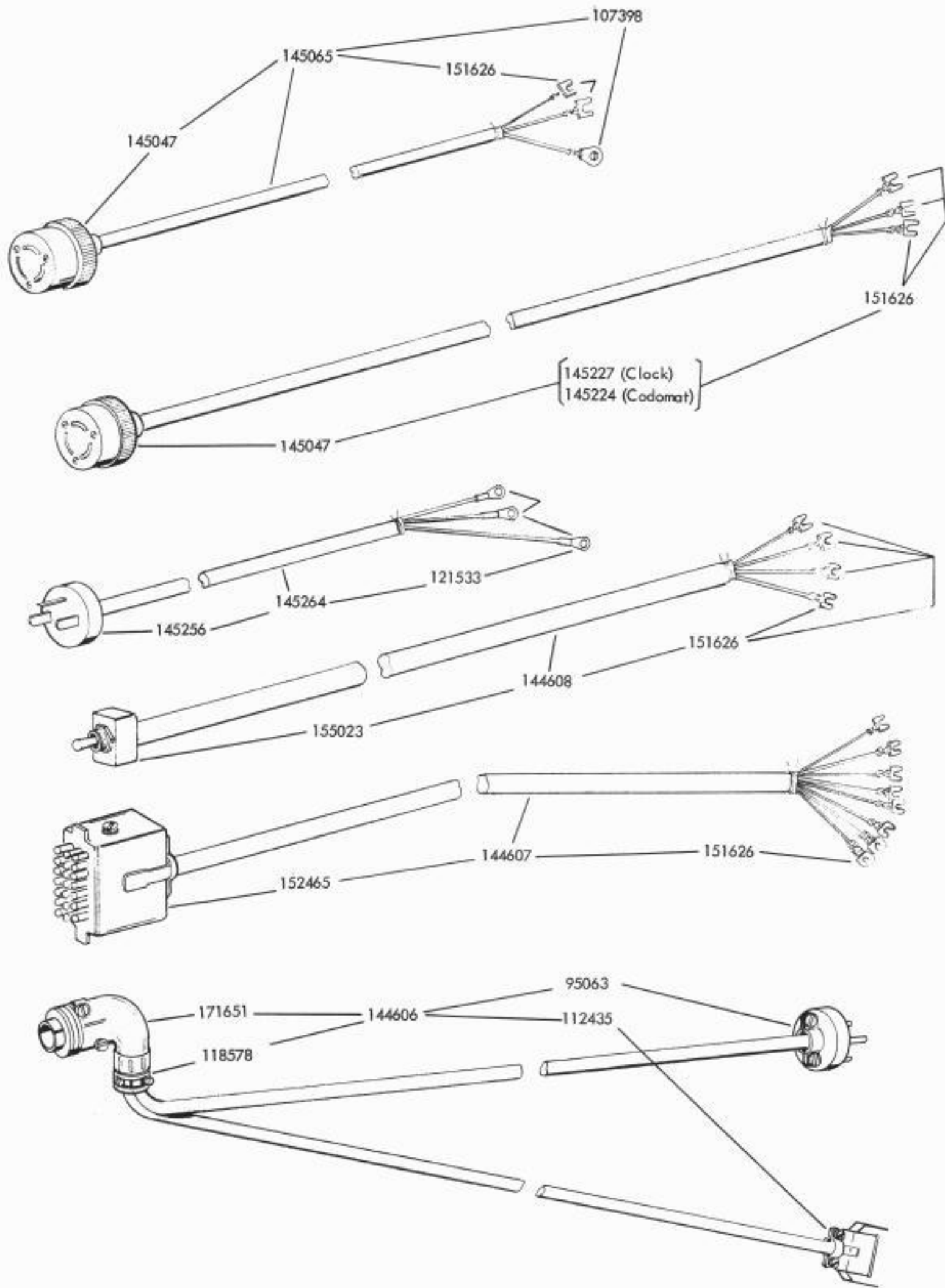


FIGURE 6-30. CABLE ASSEMBLIES

Cable Assembly	Connector or Plug	Terminals
144619	None	151626(10)
144623	95063	151626(3)
144624	161239	151626(22)
145280	None	151626(10)
145298	None	151626(11)
145712	None	151626(3)

FIGURE 6-31. ELECTRICAL SERVICE UNIT

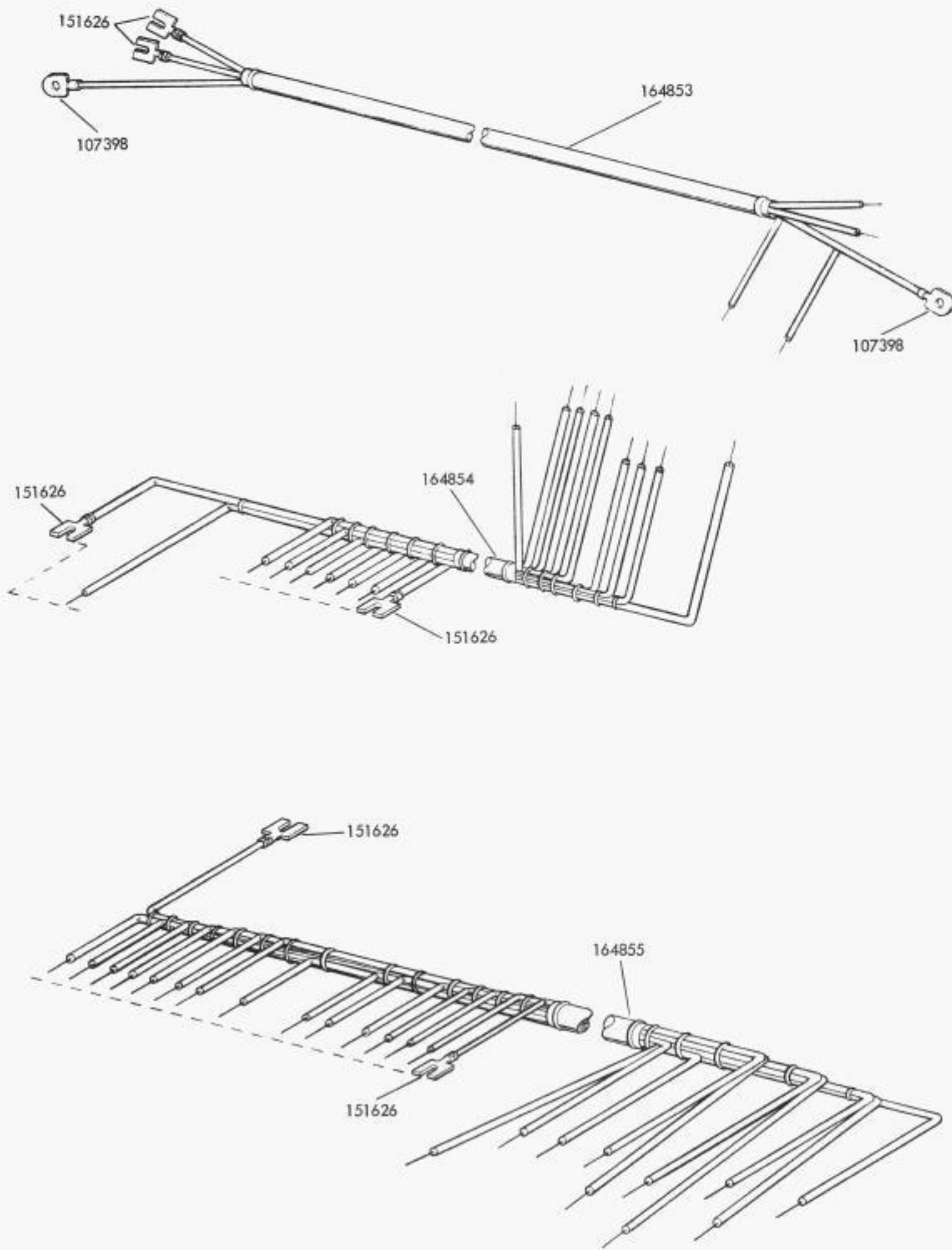


FIGURE 6-32. CABLE ASSEMBLIES

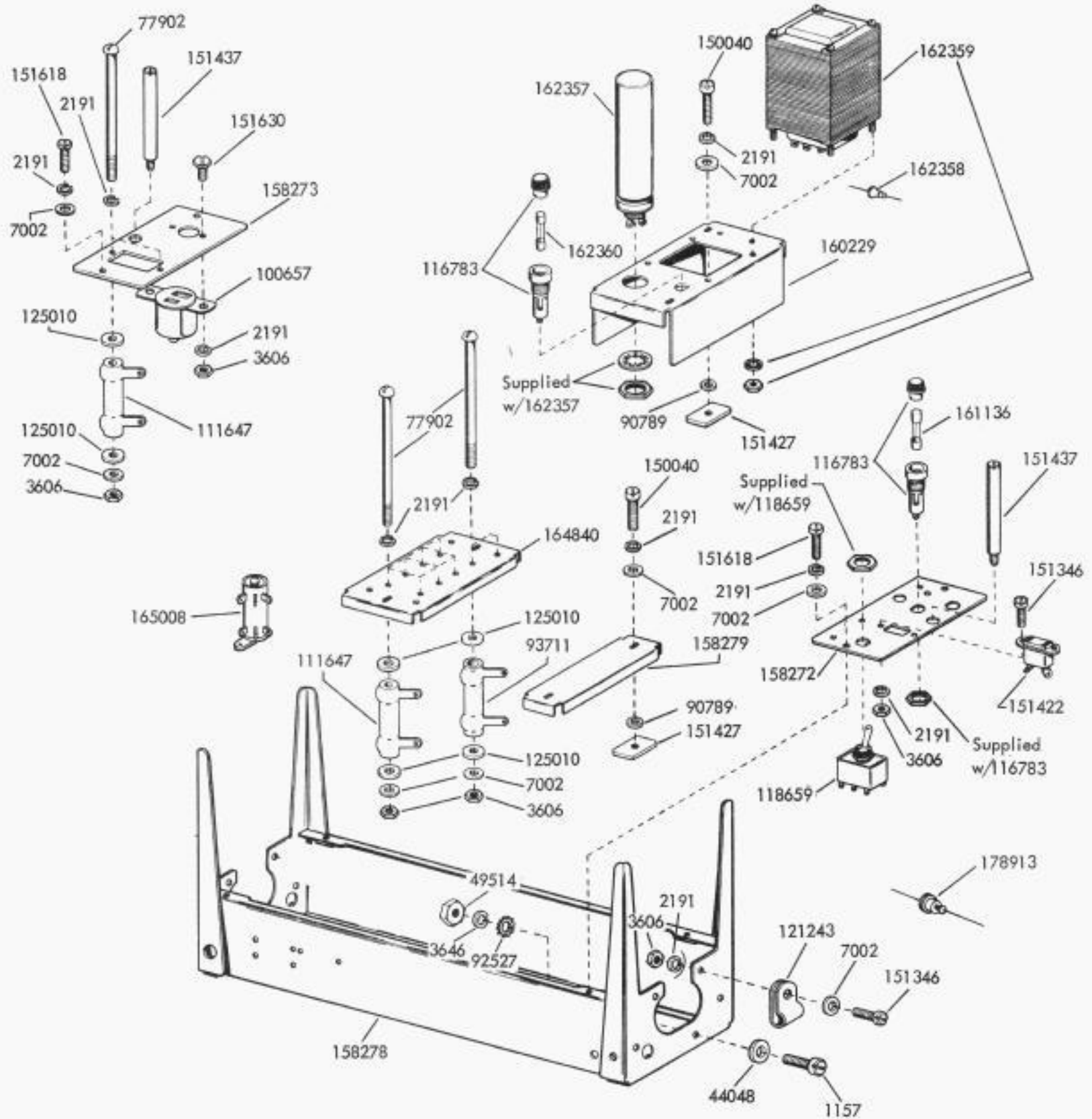
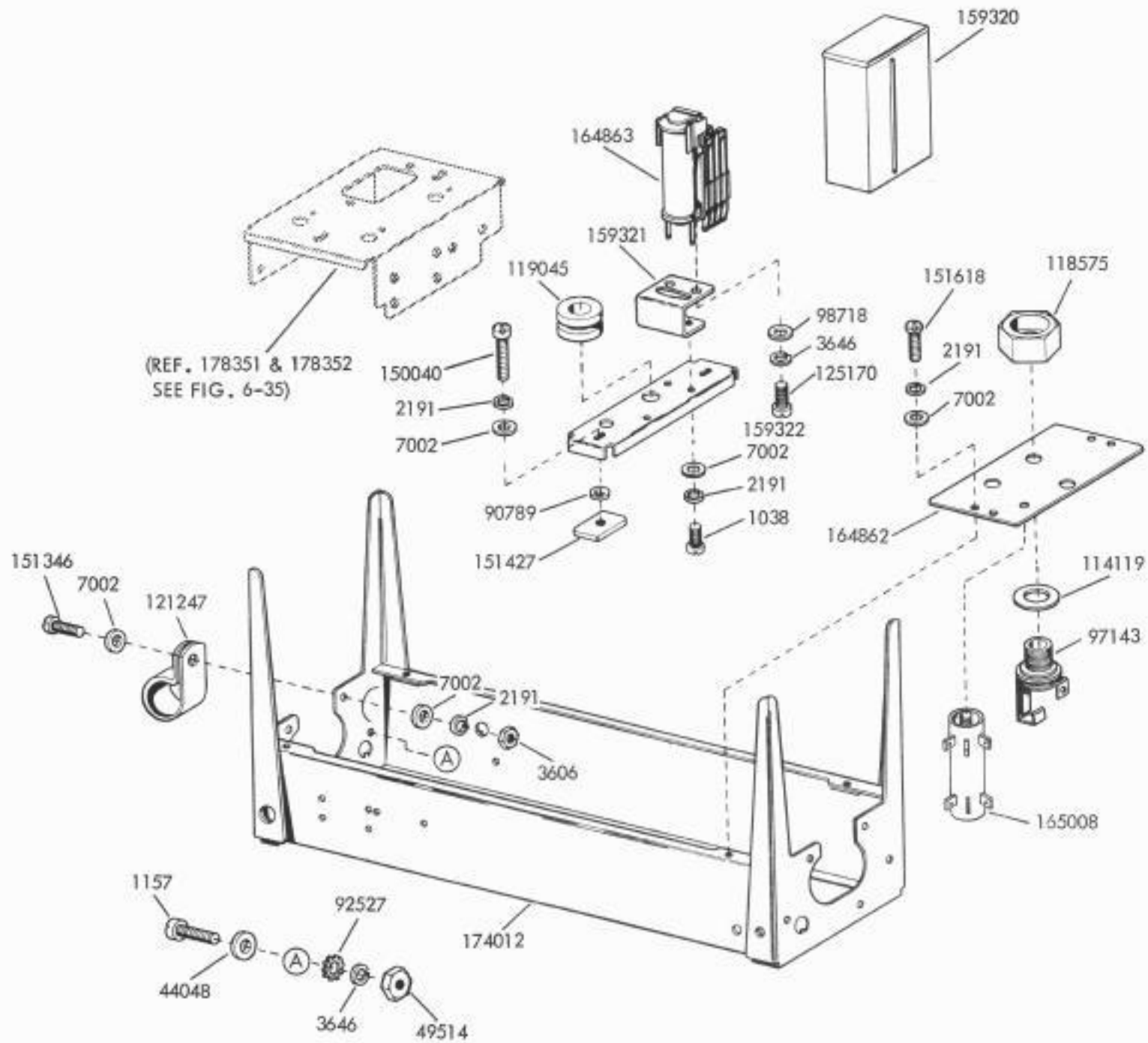


FIGURE 6-33. ELECTRICAL SERVICE UNIT



NOTE:

The 154968 also includes a 164867
Cable Assembly with 2 enclosed 107398
Terminals and 35 open ended 151625 Terminals.

FIGURE 6-34. 164868 MODIFICATION KIT TO PROVIDE AN LAAC231** WITH AN AUXILIARY ELECTRICAL SERVICE UNIT (INCLUDES ALL PARTS ON THIS FIGURE AND FIGURES 6-35 AND 6-36)

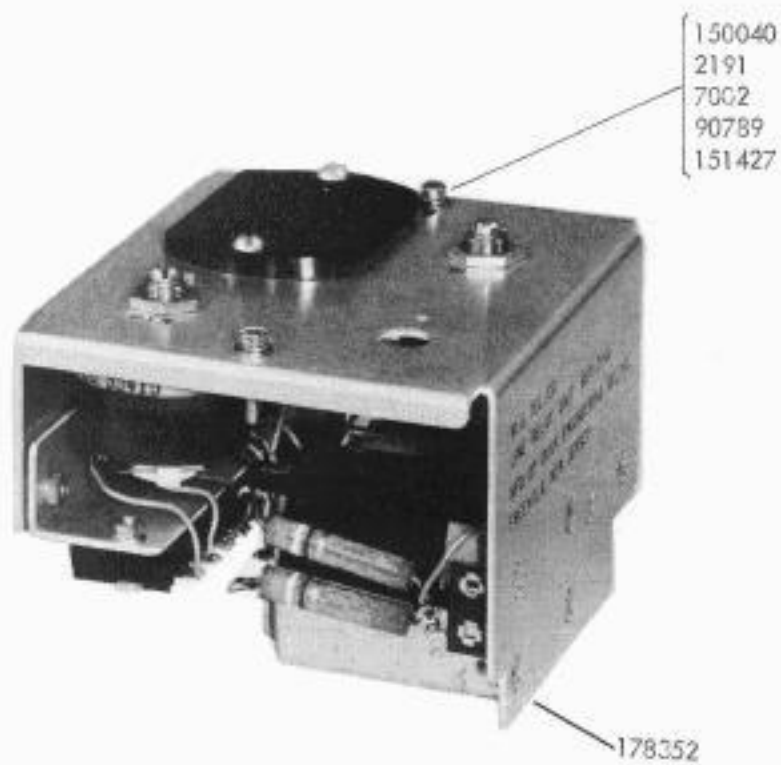
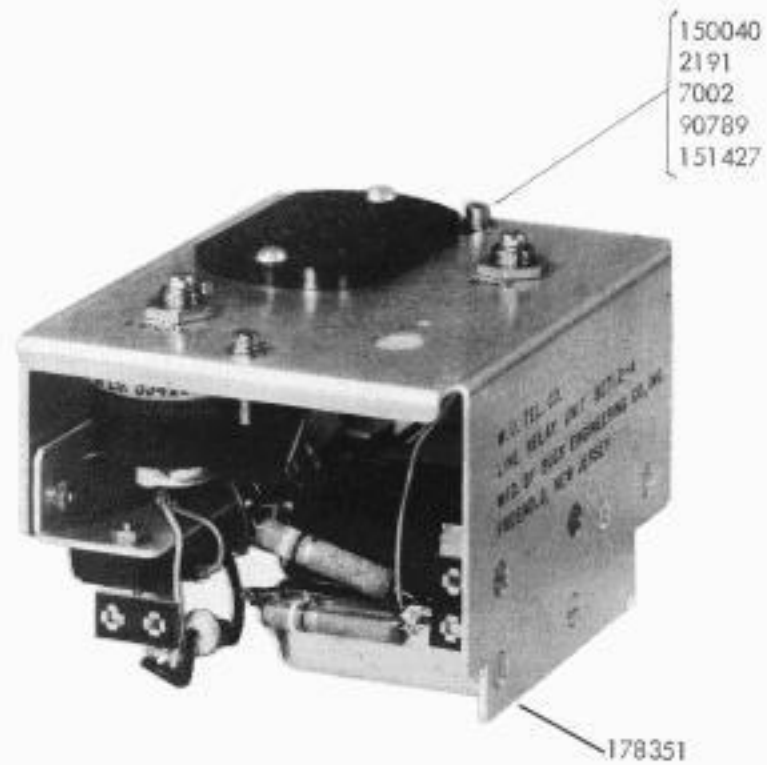


FIGURE 6-35. 164868 MODIFICATION KIT TO PROVIDE AN LAAC231** WITH AN AUXILIARY ELECTRICAL SERVICE UNIT (INCLUDES ALL PARTS ON THIS FIGURE AND FIGURES 6-34 AND 6-36)

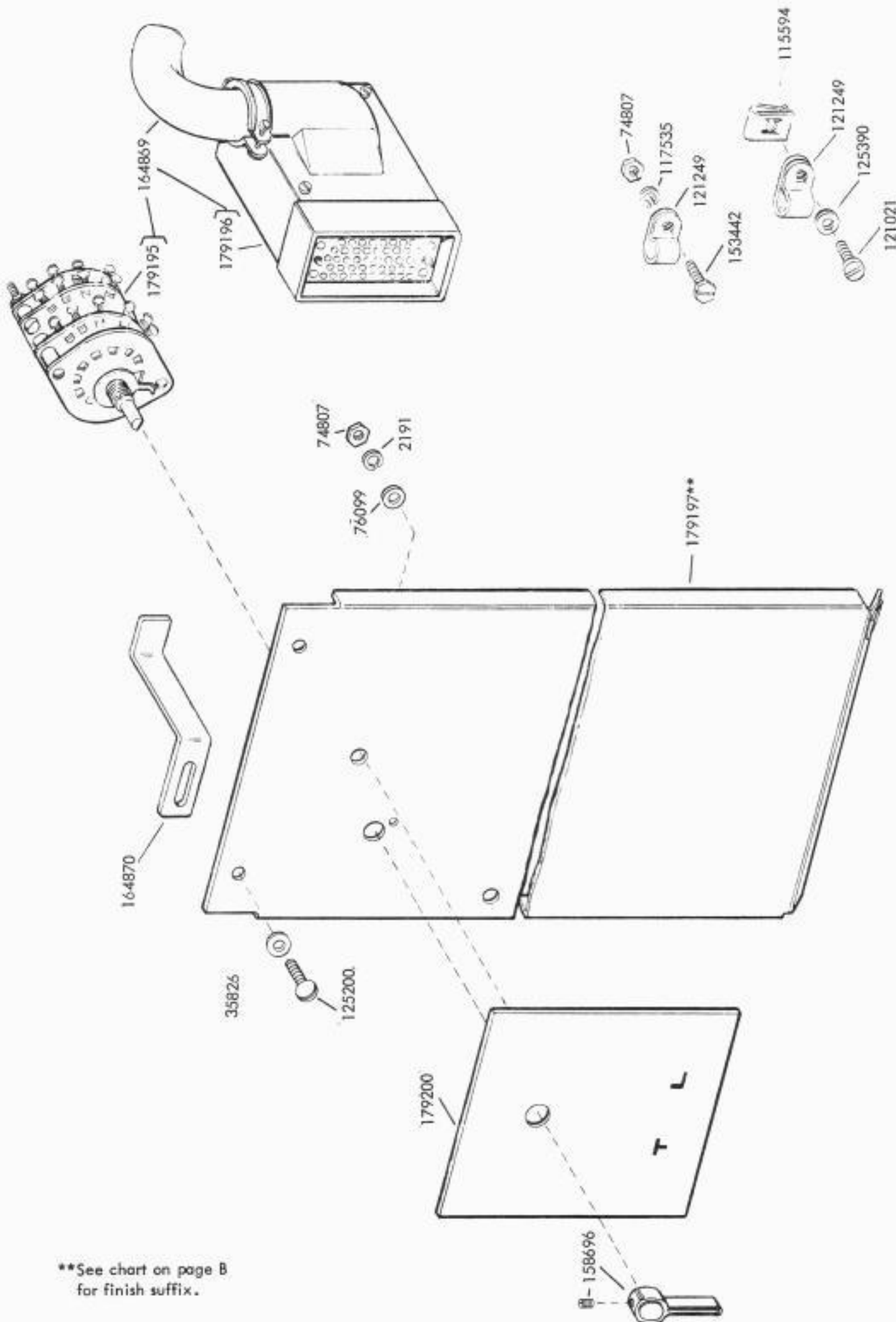


FIGURE 6-36. 164868 MODIFICATION KIT TO PROVIDE AN LAAC231** WITH AN AUXILIARY ELECTRICAL SERVICE UNIT (INCLUDES ALL PARTS ON THIS FIGURE AND FIGURES 6-34 AND 6-35)

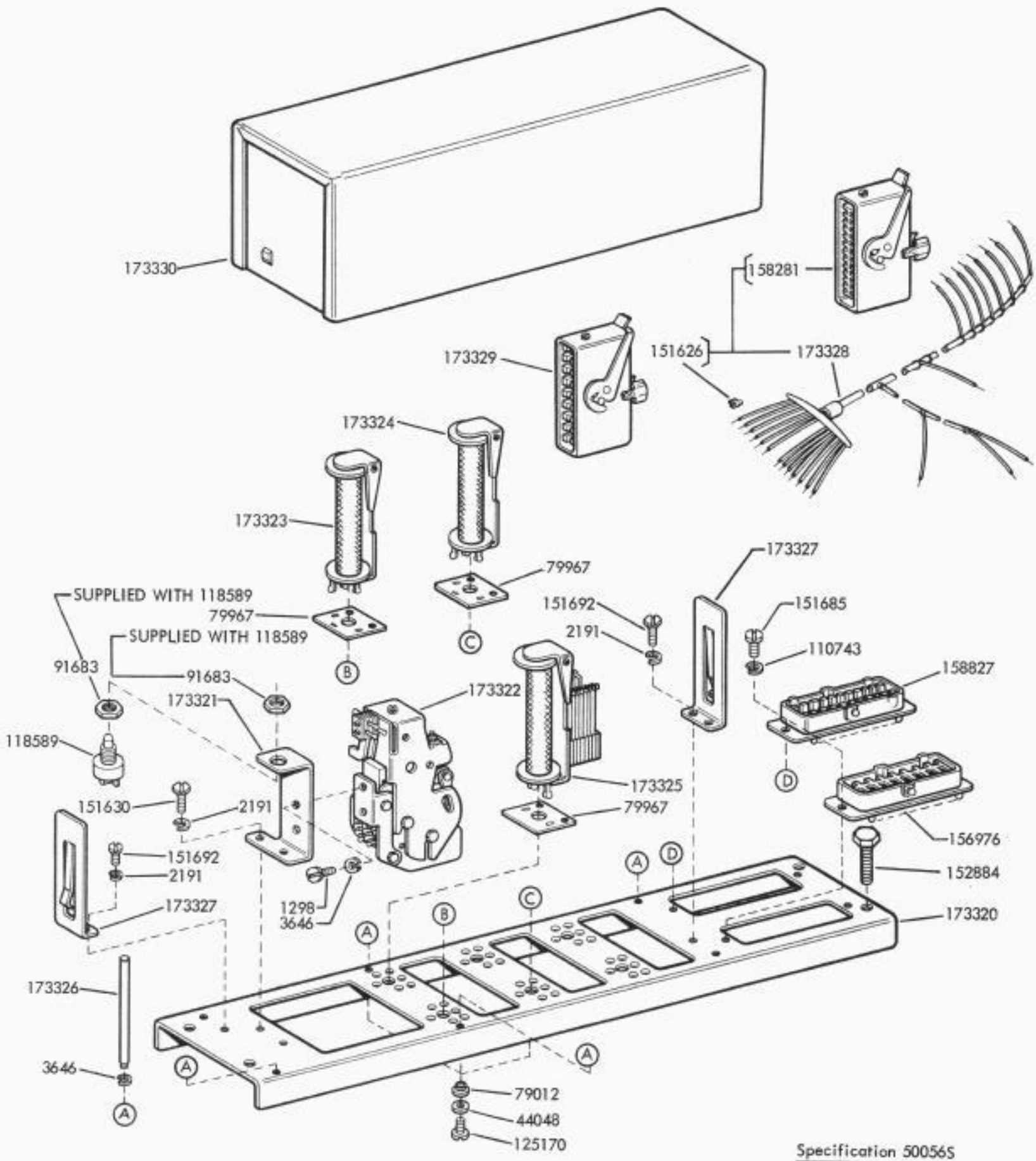
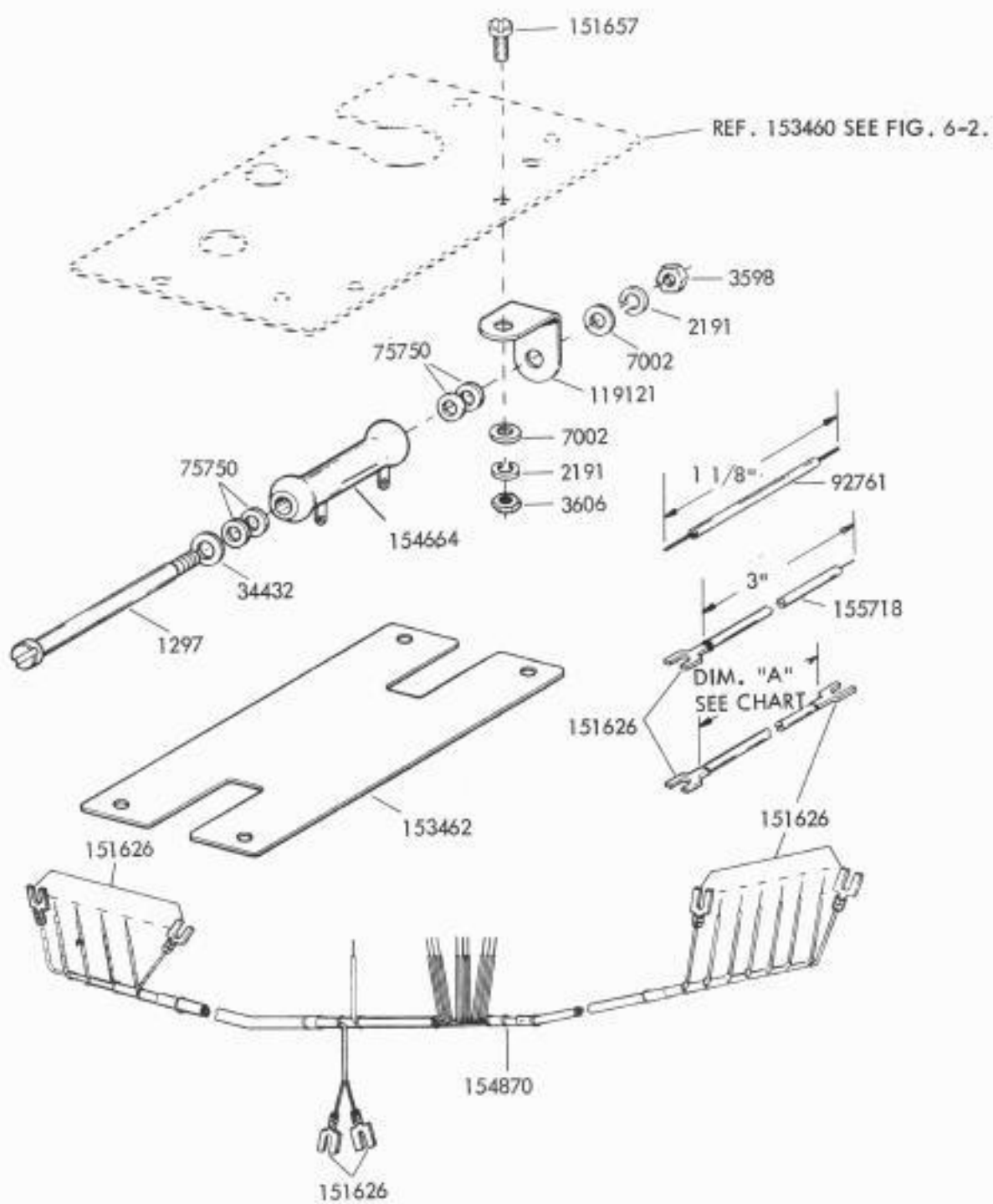


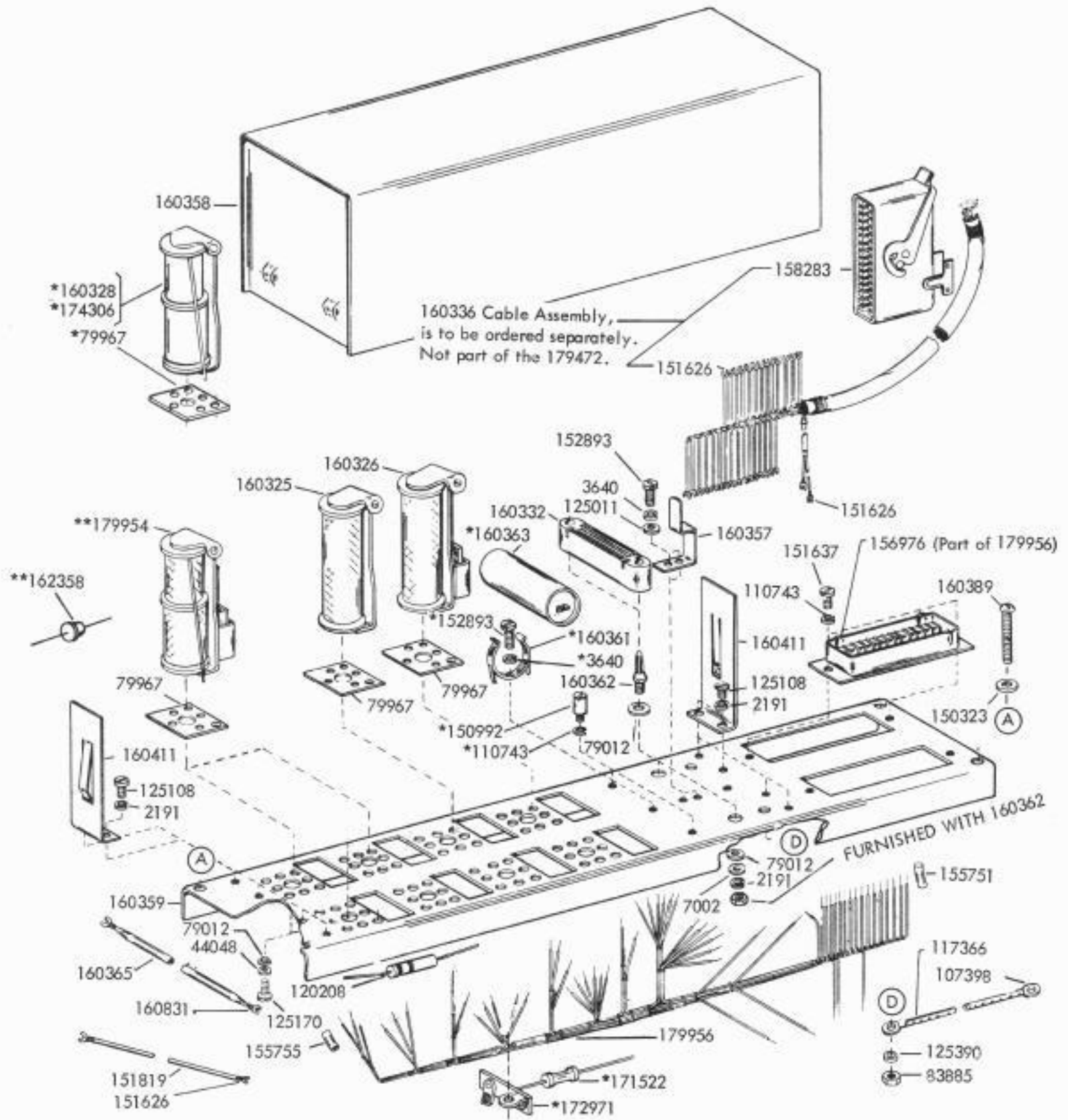
FIGURE 6-37. 162483 CALL DIRECTING RELAY UNIT

PART NUMBER	"A" DIMENSION	PARTS REQUIRED
151819	3"	151626 (2)
157231	8"	151626 (2)
157232	9 1/4"	151626 (2)



SPECIFICATION 57765

FIGURE 6-38. 154747 MODIFICATION KIT TO ADD CONTINUOUS SPACING

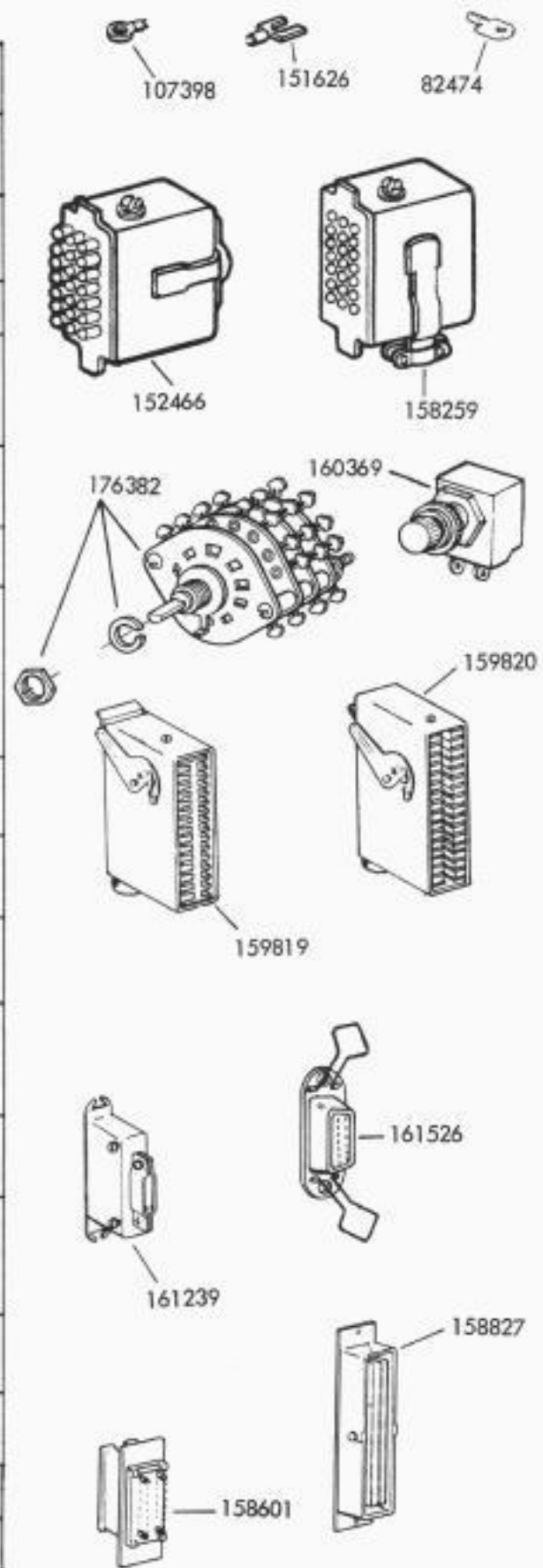


**Also part of 179953 Modification Kit to convert early design 160334 Central Device to a 179472 SPECIFICATION 501525

*Peculiar to Early Design 160334 Modification Kit. This feature no longer furnished. SPECIFICATION 58875

FIGURE 6-39. 179472 MODIFICATION KIT TO PROVIDE A TRANSMITTER CONTROL DEVICE

Units	Cable Assembly	Connectors		Terminals	Notes
		Receptacle	Plug		
LESU11	158282	159820	152466 (2) 159819	107398 (96)	
LESU13 LESU15	158264	158259	152466 (2)	107398 (1) 82474 (110)	
LESU21	160337	158601 (3)	152466 (2)	82474 (32)	Note #1
LESU22	160373 160378 160379	158827 159820	152466 (2) 159819	82474 (29) 82474 (21) 82474 (53)	
LESU25 LESU28	158264	158259	152466 (2)	107398 (1) 82474 (100)	
LESU29	162468	158259	152466 (2)	107398 (112)	
LESU32 LESU33 LESU35 LESU36 LESU37	162856 162856 158264 158264 162896	158259	152466 (2)	107398 (1) 82474 (110)	
LESU40	164085	159820	152466 (2) 159819	151626 (11) 107398 (113)	
LESU44	164237	158259 161526	152466 (2)	107398 (2) 82474 (108)	
LESU47	170286	158259	152466 (2)	107398 (1) 82474 (96)	
LESU49	164951	158259	152466 (2)	107398 (2) 151626 (11) 82474 (57)	
LESU53	170286	158259	152466 (2)	107398 (1) 82474 (96)	
LESU56 LESU57 LESU60	145215				Note #2 Note #3 Note #4
LESU61	178781	161239	152466 (2)	107398 (3) 82474 (97)	
LESU66	176680	152465	152466	107398 (2) 82474 (106)	
LESU68	176381	159820	159819 152466 (2)	107398 (2) 151626 (194)	
LESU69	176388		159819 152466 (2)	107398 (2) 151626 (137)	
LESU70	176348 158264	158259	152466 (2)	107398 (1) 82474 (110)	
LESU79	179627 179429				
LESU82 LESU83	165689	158259	152466 (2)	107398 (1) 82474 (110)	
LESU94 LESU98	170286 162896	158259	152466 (2)	107398 (1) 82474 (96)	



Numbers in () parenthesis indicate quantity

Note #1: This cable assembly also includes:
2 - 160384 Brackets, 4 - 98726 Screws
4 - 61085 Lock Washers

Note #2: Cables shown on Figure 6-30.
Note #3: Cables shown on Figure 6-31.
Note #4: Cables shown on Figure 6-32.

FIGURE 6-40. ELECTRICAL SERVICE UNIT CABLING

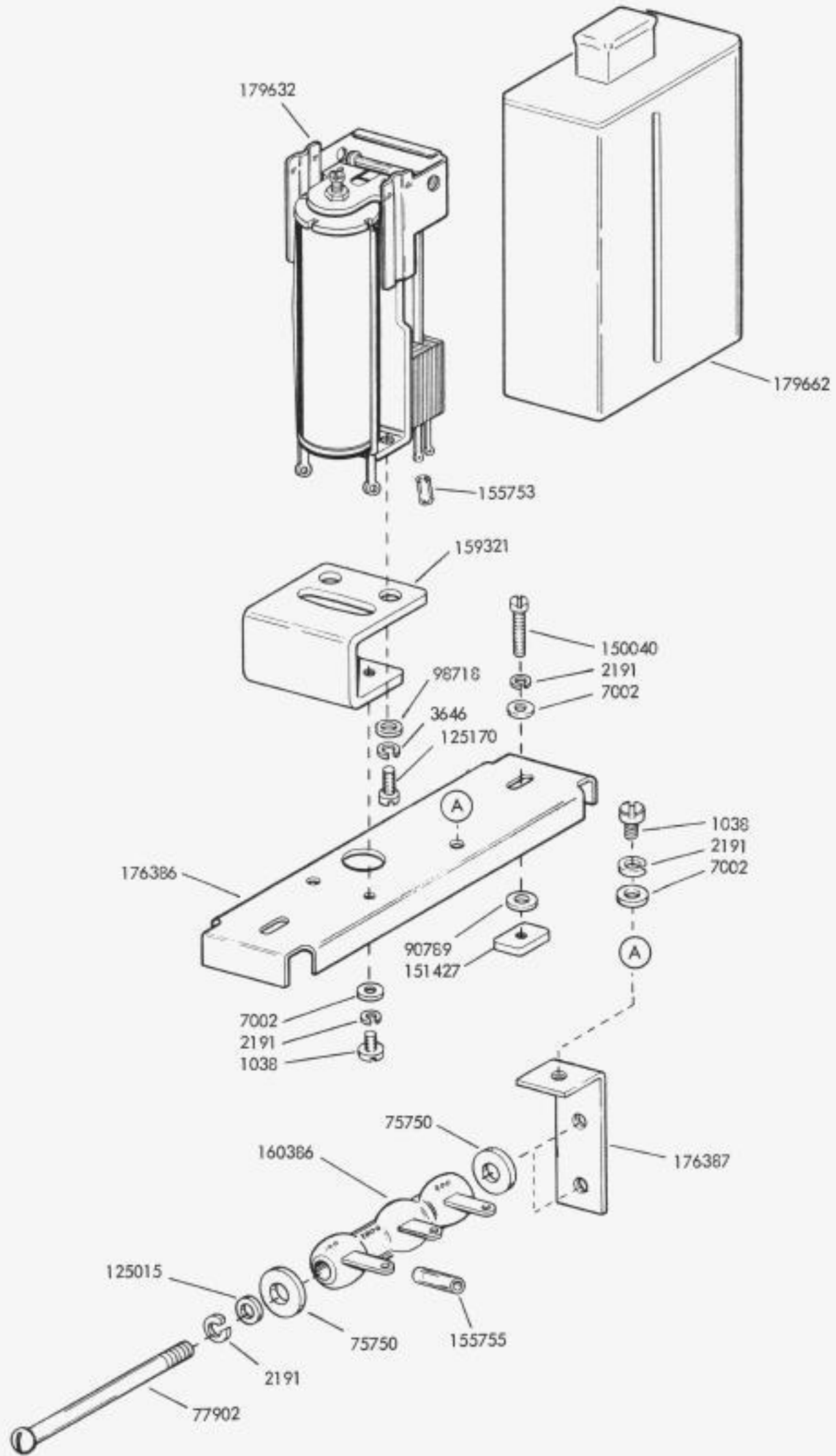


FIGURE 6-41. QUICK ACTING RELAY (10 MS) MECHANISM

NUMERICAL INDEX - SECTION 6

Part Number	Description and Page Number	Part Number	Description and Page Number	Part Number	Description and Page Number
169M	Coil, Magnet 6-16	76983	Screw (4-40 x 1-1/4 Fil) 6-16	118575	Nut, Insulating (3/8-32 Hex) 6-32
247M	Coil, Magnet 6-6	77902	Screw (6-40 x 2-3/8 Rd) 6-5,6-11, 6-13,6-16,6-18,6-20,6-23,6-29, 6-31,6-39	118578	Clamp, Cable 6-28
252M	Coil, Magnet 6-6			118589	Switch, Push 6-35
1020	Screw (6-40 x 1/4 Hex) 6-21			118659	Switch, Toggle 6-4,6-31
1028	Screw (4-40 x 7/32 Fil) 6-5,6-13, 6-16	79012	Washer, Insulating 6-10,6-12, 6-35,6-37	118720	Resistor (1 Meg, Ohm) 6-19
1038	Screw (6-40 x 9/32 Fil) 6-5,6-11, 6-32,6-39	79967	Insulator 6-10,6-12,6-35,6-37	118726	Resistor (820 Ohm) 6-10
1093	Screw (8-32 x 7/16 Fil) 6-6	80342	Screw (6-40 x 3/8 Hex) 6-29	119045	Grommet, Rubber 6-4,6-18,6-20, 6-32
1157	Screw (8-32 x 1/2 Fil) 6-2,6-31, 6-32	80612	Nut (8-32 Hex) 6-15	119121	Bracket 6-36
1172	Screw (2-56 x 5/16 Fil) 6-25	80854	Screw (6-40 x 1-7/16 Fil) 6-4, 6-6	119218	Resistor (350 Ohm) 6-15
1248	Screw (6-40 x 7/16 Flat) 6-5	81836	Washer, Fiber 6-15	119670	Screw (6-32 x 1/2 Fil) 6-29
1263	Screw (6-32 x 1/4 Fil) 6-21	82474	Terminal 6-15,6-22,6-38	120121	Resistor (62,000 Ohm) 6-19
1297	Screw (6-40 x 2-7/16 Rd) 6-36	82516	Spring 6-5	120175	Plate, Off-On 6-27
1298	Screw (8-32 x 1/4 Fil) 6-35	82870	Resistor (6300 Ohm) 6-13	120195	Rectifier 6-9
1301	Screw (6-32 x 3/8 Rd) 6-29	83885	Nut (6-32 Hex) 6-37	120205	Shield, Tube 6-19
2034	Washer, Flat 6-6	86742	Nut (4-40 Hex) 6-29	120208	Resistor (22 Ohm) 6-37
2191	Washer, Lock 6-2 to 6-13,6-15 to 6-27,6-29,6-31,6-32 to 6-37,6-39	89548	Spring, Contact 6-5	120421	Resistor (100 Ohm) 6-29
2201	Nut (5/16-32 Hex) 6-6	90789	Washer, Flat 6-5,6-7 to 6-9,6-11, 6-12,6-16 to 6-18,6-20,6-22 to 6-27,6-29,6-31,6-32,6-33,6-39	121021	Screw (8-32 x 1/2 F.I.) 6-34
2422	Washer, Lock 6-25	90951	Washer, Lock 6-6	121125	Washer, Spring 6-6
2449	Washer, Lock 6-16	91683	Nut (15/32-32 Hex) 6-4,6-27,6-35	121243	Clamp, Cable (3/16 I.D.) 6-17, 6-31
2658	Nut (6-32 Hex) 6-9	91721	Screw (10-32 x 3-3/4 Fil) 6-15	121245	Clamp, Cable (5/16 I.D.) 6-2,6-6, 6-29
2669	Washer, Lock 6-15	92260	Washer, Lock 6-9	121246	Clamp, Cable (3/8 I.D.) 6-20
3438	Washer, Flat 6-13	92260	Washer, Lock 6-9	121247	Clamp, Cable (7/16 I.D.) 6-2,6-29, 6-32
3595	Nut (1/4-32 Hex) 6-16	92527	Washer, Star 6-2,6-31,6-32	121249	Clamp, Cable (5/8 I.D.) 6-2,6-3, 6-34
3598	Nut (6-40 Hex) 6-3 to 6-6,6-13, 6-15 to 6-20,6-22 to 6-24,6-27, 6-29,6-36	92761	Lead (1-1/2") Black 6-36	121250	Clamp, Cable 6-2
3599	Nut (4-40 Hex) 6-20,6-26	92856	Resistor (1500 Ohm) 6-3,6-15	121533	Terminal 6-28
3606	Nut (6-40 Hex) 6-2,6-3,6-15, 6-26,6-31,6-32,6-36	93073	Modification Kit 6-15	123146	Socket (6 Slot) 6-18
3640	Washer, Lock 6-6,6-10,6-29,6-37	93711	Resistor (200 Ohm) 6-31	125010	Washer, Insulating 6-31
3646	Washer, Lock 6-6,6-11,6-27,6-31, 6-32,6-35,6-39	93959	Key W/Screw (6-32) 6-29	125011	Washer, Flat 6-13,6-16,6-23,6-37
3870	Spring 6-6	95009	Switch, Push Button 6-11	125015	Washer, Flat 6-4,6-5,6-9,6-11,6-16, 6-29,6-39
3899	Spacer 6-16	95063	Connector, Plug (3 Pt) 6-28,6-29	125108	Screw (6-32 x 3/8 Fil) 6-37
5816	Washer, Fiber 6-6	97143	Jack 6-32	125112	Screw (2-56 x 1/8 Fil) 6-16
6827	Block, Connecting 6-5	98142	Washer, Flat 6-29	125170	Screw (8-32 x 5/16 Fil) 6-10 to 6-12,6-32,6-35,6-37,6-39
7002	Washer, Flat 6-2 to 6-13,6-15 to 6-20,6-22 to 6-27,6-29,6-31,6-32, 6-33,6-36,6-37,6-39	98718	Washer, Flat 6-11,6-32,6-39	125183	Screw (6-32 x 5/16 Fil) 6-3
7603	Spring 6-6	98726	Screw (3-48 x 1/4 Fil) 6-38	125186	Screw (8-32 x 3/4 Fil) 6-2
7959	Bracket, Magnet 6-16	100657	Connector, Receptacle (2 Pt) 6-26, 6-31	125200	Screw (10-32 x 1/2 Rd) 6-34
8262	Knob 6-13	100832	Screw, Drive 6-2,6-14	125306	Stop, Magnet Plunger 6-16
34432	Washer, Flat 6-36	100832	Screw, Drive 6-2,6-14	125390	Washer, Flat 6-6,6-34,6-37
35826	Washer, Flat 6-34	101944	Resistor (4000 Ohm) 6-5	129098	Screw (6-40 x 11/32 Flat) 6-21
44048	Washer, Flat 6-6,6-10,6-12,6-27, 6-31,6-32,6-35,6-37	102690	Connector, Receptacle (Duplex 3 Pt) 6-27	129916	Capacitor (0.1 Mfd) 6-19
49514	Nut (8-32 Hex) 6-31,6-32	104213	Resistor (300 Ohm) 6-22	137602	Resistor (470 Ohm) 6-10
55219	Screw (8-32 x 3/8 Fil) 6-15,6-27	104807	Washer, Flat 6-14	138191	Screw (3-48 x 1 Rd) 6-5
61085	Washer, Lock 6-38	107116	Washer, Star 6-29	139158	Connector, Receptacle (3 Pt) 6-27
71047	Washer, Flat 6-16	107398	Terminal 6-3,6-20,6-23,6-28, 6-30,6-32,6-37,6-38	139335	Connector, Plug (6 Pt) 6-27
71155	Screw (6-32 x 1-1/4 Flat) 6-9	110434	Screw (4-40 x 3/16 Fil) 6-10	139564	Nut (3/8-32 Hex) 6-11
71646	Nut (6-32 Hex) 6-9	110435	Nut (4-40 Hex) 6-6,6-29	139565	Washer, Flat 6-11
74614	Resistor (2600 Ohm) 6-5	110743	Washer, Lock 6-13,6-14,6-16,6-19, 6-20,6-26,6-29,6-35,6-37	139692	Resistor (2000 Ohm) 6-5
74615	Resistor (2000 Ohm) 6-5,6-23	111017	Screw (6-40 x 1/4 Fil) 6-3,6-4, 6-19,6-24,6-27,6-29	139777	Screw (3-56 x 1/4 Flat) 6-13
74807	Nut (10-32 Hex) 6-34	111647	Resistor (1000 Ohm) 6-31	144606	Cable Assembly 6-28
74821	Resistor (2810 Ohm) 6-5,6-18,6-20	112435	Socket 6-28	144607	Cable Assembly 6-28
74882	Spring 6-6	112626	Nut (10-32 Hex) 6-15,6-23	144608	Cable Assembly 6-28
74980	Screw (6-40 x 1-13/16 Rd) 6-15	112627	Nut (2-56 Hex) 6-25	144610	Card, Circuit (Detector) 6-29
75750	Washer, Insulating 6-4,6-5,6-11, 6-13,6-16,6-18,6-20,6-23,6-29, 6-36,6-39	114119	Washer, Insulating 6-32	144616	Plate, Relay 6-5
76099	Washer, Flat 6-34	114626	Screw (6-40 x 2-1/16 Fil) 6-23	144617	Plate, Relay 6-5
76461	Washer, Flat 6-18,6-20	114654	Strip, Terminal 6-10,6-22	144618	Cable Assembly 6-5
		115537	Screw (8-32 x 2-1/4 Rd) 6-15	144619	Cable Assembly 6-5,6-29
		115594	Nut, Speed (8-32) 6-15,6-34	144620	Mounting Assembly 6-5
		116783	Holder, Fuse 6-4,6-7,6-8,6-27, 6-31	144621	Mounting Assembly 6-5
		117366	Jumper (8-1/2" Green) 6-37	144623	Cable Assembly 6-29
		117535	Washer, Lock 6-34	144624	Cable Assembly, L 6-29
		118196	Resistor (39,000 Ohm) 6-19	144625	Guard 6-29
				144626	Container 6-27

NUMERICAL INDEX - SECTION 6 (Continued)

Part Number	Description and Page Number	Part Number	Description and Page Number	Part Number	Description and Page Number
144630	Block, Mounting 6-29	151432	Armature 6-6	153456	Bracket 6-3
144631	Post (6-40) 6-29	151437	Stud (1/4-20) 6-3,6-4,6-26,6-27,6-29,6-31	153457	Strap, Terminal 6-3
144633	Jumper (18" Black) 6-29	151440	Stud (4-40) 6-6	153460	Plate, Cover 6-3
144634	Relay (276H) 6-29	151441	Plate, Blank 6-25,6-26	153462	Plate 6-4,6-24,6-27,6-36
144960	Plate, Mounting 6-29	151541	Shaft W/Fork 6-22	153464	Block, Terminal 6-5
144962	Bracket, Mounting 6-29	151616	Screw, Self-Tapping (#2) 6-2	153475	Cable Assembly 6-5
144963	Cover W/Clips 6-29	151618	Screw (6-40 x 7/16 Fil) 6-3,6-4,6-26,6-31,6-32	153476	Cable Assembly 6-13
145021	Relay (276A) 6-29	151626	Terminal 6-2,6-3,6-5 to 6-13,6-15 to 6-20,6-24,6-27 to 6-30,6-32,6-35 to 6-38	153477	Cable Assembly 6-7,6-8,6-9
145040	Plate, Mounting 6-27	151630	Screw (6-40 x 1/4 Hex) 6-6,6-18,6-20,6-26,6-29,6-31,6-35	153478	Cable Assembly 6-6
145047	Connector, Receptacle (3 Pt) 6-28	151631	Screw (6-40 x 5/16 Hex) 6-16,6-17,6-20,6-22	153480	Resistor (6750 Ohm) 6-5
145065	Cable Assembly 6-28	151632	Screw (6-40 x 3/8 Hex) 6-6	153481	Resistor (5800 Ohm) 6-5,6-13
145068	Plate, Mounting 6-27	151637	Screw (4-40 x 1/4 Fil) 6-13,6-29,6-37	153482	Plate, Relay 6-5
145071	Plate, Mounting 6-29	151657	Screw (6-40 x 1/4 Fil) 6-3,6-5,6-13,6-15,6-16,6-20,6-36	153484	Screw (6-32 x 1/4 Rd) 6-17,6-18,6-20
145072	Plate, Mounting 6-29	151658	Screw (6-40 x 5/16 Fil) 6-27,6-29	153537	Screw (6-40 x 9/32 Hex) 6-10
145215	Cable Assembly, CC 6-38	151659	Screw (6-40 x 1/2 Fil) 6-5,6-26	153631	Network, Spark Suppression 6-29
145224	Cable Assembly 6-28	151685	Screw (4-40 x 5/16 Fil) 6-19,6-26,6-35	153799	Screw (4-40 x 21/64 Hex) 6-14
145227	Cable Assembly 6-28	151692	Screw (6-40 x 3/16 Fil) 6-5,6-18,6-35	153841	Screw (6-40 x 9/16 Hex) 6-29
145256	Connector, Plug (3 Pt) 6-28	151722	Screw (6-40 x 3/16 Hex) 6-15,6-18,6-20	154337	Cover 6-6
145264	Cable Assembly 6-28	151733	Screw (4-40 x 9/16 Fil) 6-29	154395	Plunger 6-16
145270	Capacitor (1 Mfd) 6-29	151808	Relay 6-3,6-15	154413	Plate, Switch 6-27
145280	Cable Assembly 6-29	151814	Bracket 6-3,6-15	154444	Bracket 6-14
145298	Cable Assembly 6-29	151818	Jumper (4-1/4" Black) 6-2,6-29	154449	Shaft 6-14
145712	Cable Assembly 6-29	151819	Jumper (3" Black) 6-2,6-5,6-6,6-13,6-16,6-24,6-29,6-36,6-37	154459	Fork 6-14
145894	Switch Assembly 6-27	151827	Strap, Terminal 6-3,6-4,6-24,6-27,6-29	154632	Block, Terminal 6-16
146551	Resistor (47.5K Ohm) 6-21	151880	Nut (4-40 Hex) 6-19	154636	Plate 6-16
146572	Plate, Mounting 6-21	151913	Plate, Mounting 6-9	154664	Bracket 6-36
146573	Plate, Mounting 6-21	151916	Transformer (115 Volt) 6-9	154665	Cable Assembly 6-16
146574	Connector, Plug (8 Pt) 6-21	152109	Filter 6-5	154747	Modification Kit 6-36
146650	Inductor (307E) 6-21	152110	Bracket 6-5	154870	Cable Assembly 6-36
146652	Modification Kit 6-21	152124	Spacer 6-5	155023	Switch, Toggle 6-4,6-27,6-28
147059	Jack Assembly, Line 6-24	152332	Control Assembly 6-16	155043	Solenoid Assembly 6-16
147060	Plate 6-24	152465	Connector, Receptacle (20 Pt) 6-3,6-28,6-38	155045	Switch, Toggle 6-27
147061	Mounting, Jack (213A) 6-24	152466	Connector, Receptacle (20 Pt) 6-3,6-38	155558	Relay Assembly, D-C Control 6-12
147062	Jack, Line 6-24	152623	Mounting Assembly, Line Relay 6-5	155559	Plate 6-12
150040	Screw (6-40 x 5/8 Fil) 6-3,6-4,6-6 to 6-12,6-16 to 6-20,6-22 to 6-27,6-29,6-31,6-32,6-33,6-39	152750	Cable Assembly 6-3	155560	Relay, General Purpose 6-12
150323	Washer, Flat 6-37	152755	Strap, Terminal 6-3	155561	Cable 6-12
150849	Washer, Insulating 6-15	152757	Plate Assembly, Blank 6-25,6-26	155564	Cover 6-12
150948	Plate (Teletype) 6-2	152759	Plate Assembly, Blank 6-25	155591	Capacitor (220 Mfd) 6-9
150949	Plate (Serial) 6-2	152760	Stud (6-40) 6-4,6-24,6-27	155718	Jumper (3" Black) 6-36
150950	Plate (Code) 6-2	152761	Stud (6-40) 6-3,6-4	155750	Sleeve, Insulating (3/32 x 1/2) 6-13,6-16
150992	Stud (4-40) 6-37	152884	Screw (12-24 x 1 Hex) 6-35	155751	Sleeve, Insulating (1/8 x 1) 6-37
150995	Bushing 6-17,6-18,6-20	152893	Screw (4-40 x 1/4 Hex) 6-37	155753	Sleeve, Insulating (1/8 x 1/2) 6-18,6-20,6-39
151152	Screw (4-40 x 3/16 Hex) 6-14	152950	Rectifier Assembly 6-9	155755	Sleeve, Insulating (11/64 x 5/8) 6-11,6-37,6-39
151346	Screw (6-40 x 3/8 Fil) 6-2,6-3,6-4,6-27,6-29,6-31,6-32	152988	Plate, Cover 6-25	155858	Resistor (700 Ohm) 6-4
151401	Base 6-6	153002	Plate, Identification (Bell) 6-2	156976	Connector, Plug (32 Pt) 6-35,6-37
151402	Core 6-6	153102	Screw, Set (8-32) 6-14	157230	Jumper (6" Black) 6-2
151403	Frame 6-6	153108	Insulator 6-9	157231	Jumper (8" Black) 6-2,6-36
151406	Plate 6-6	153157	Resistor (400 Ohm) 6-6	157232	Jumper (9-1/4" Black) 6-2,6-36
151407	Collar 6-6	153251	Control Assembly 6-6	157307	Spacer 6-16
151408	Lever 6-6	153442	Screw (10-32 x 1/2 Hex) 6-34	157308	Bracket 6-16
151409	Armature 6-6	153451	Block, Terminal 6-13	157309	Plate, Nut 6-16
151410	Clip, Retaining 6-6			157310	Switch, Sensitive 6-16
151411	Block, Terminal 6-3,6-4,6-19,6-24,6-27,6-29			157998	Retainer, Roller 6-2
151412	Insulator 6-3,6-4,6-19,6-24,6-27,6-29			158216	Plate, Nut (6-40) 6-3
151414	Switch, Sensitive 6-6			158259	Connector, Receptacle (20 Pt) 6-38
151416	Nut (6-40 Hex) 6-3,6-4,6-19,6-24,6-27,6-29			158264	Cable Assembly, Main 6-38
151418	Fuse (10 Amp) 6-27			158265	Cable Assembly, Slow Release Relay 6-11
151422	Connector, Receptacle (2 Pt) 6-4,6-27,6-31			158266	Cable Assembly 6-13
151426	Plate, Blank 6-25			158267	Cable Assembly, Line Relay Mounting 6-5
151427	Plate, Clamp 6-5 to 6-12,6-16 to 6-18,6-20,6-22 to 6-27,6-29,6-31,6-32,6-33,6-39			158272	Plate (Right) 6-4,6-31
				158273	Plate, Mounting 6-26,6-31
				158278	Container 6-2,6-26,6-29,6-31

NUMERICAL INDEX - SECTION 6 (Continued)

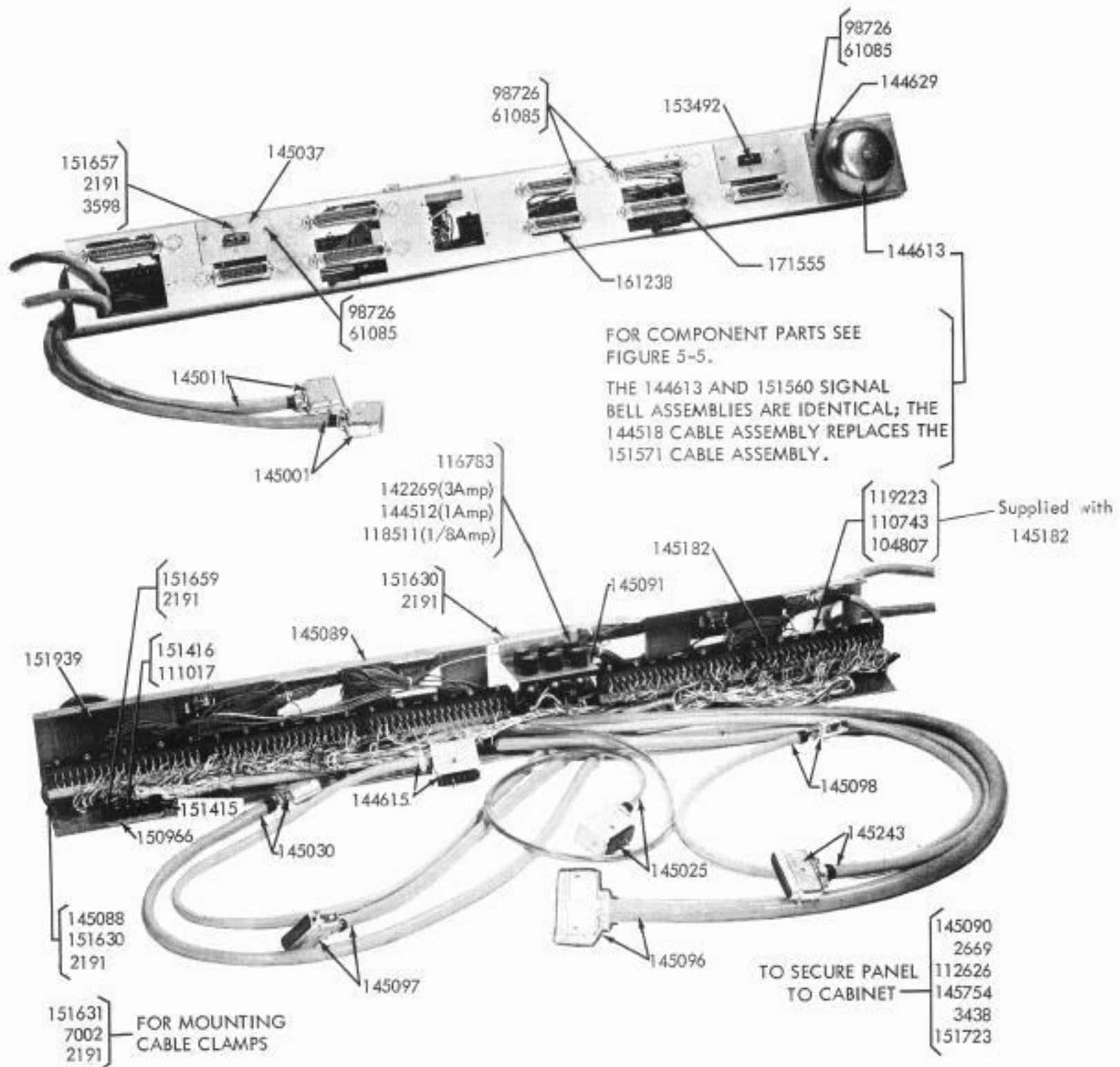
Part Number	Description and Page Number	Part Number	Description and Page Number	Part Number	Description and Page Number
158279	Plate, Blank 6-25,6-26,6-31	160420	Relay Assembly, Auxiliary Line Shunt 6-15	170290	Cable Assembly, Resistor 6-23
158280	Plate 6-3	160421	Bracket 6-15	170573	Rectifier, Power - 48 Volt D.C. 6-27
158281	Connector, Plug (32 Pt) 6-35	160432	Jumper (13" Black) 6-2	171462	Resistor (450 Ohm) 6-27
158282	Cable Assembly, Main 6-38	160433	Jumper (16" Black) 6-2	171463	Resistor (1 Ohm) 6-27
158283	Connector, Receptacle (32 Pt) 6-37	160678	Jumper (24" Black) 6-2	171490	Connector, Card (15 Pt) 6-29
158284	Connector, Receptacle (20 Pt) 6-26	160831	Terminal 6-37	171516	Relay (293C) 6-29
158291	Cover, Line Relay 6-3,6-15	160833	Plate, Relay 6-5	171522	Resistor (400 Ohm) 6-37
158292	Bracket, Terminal 6-4,6-29	160847	Stud (6-40) 6-16	171541	Diode (IN1693) 6-10
158293	Key Assembly, Line Test 6-3,6-13	161136	Fuse (6-1/4 Amp) 6-4,6-31	171602	Diode (GTD 976) 6-29
158294	Key, Line Test 6-13	161239	Connector, Plug (36 Pt) 6-29,6-38	171609	Diode (320 B) 6-27
158295	Bracket, Resistor 6-13	161526	Connector, Receptacle (14 Pt) 6-38	171610	Transformer (115 Volt) 6-27
158296	Bracket, Test Key 6-13	161875	Resistor (2000 Ohm) 6-29	171641	Fuse (6 Amp) 6-27
158554	Post, Pilot (6-40) 6-21	162356	Rectifier Assembly 6-8	171644	Fuse (1-1/2 Amp) 6-27
158601	Connector, Plug (14 Pt) 6-38	162357	Capacitor (500 Mfd) 6-8,6-31	171651	Connector, Receptacle (6 Pt) 6-28
158694	Plate, Designation 6-14	162358	Diode (IN1489) 6-8,6-9,6-31, 6-37	172971	Board, Terminal 6-37
158696	Knob W/Screw 6-14,6-34	162359	Transformer (115 Volt) 6-8,6-31	173138	Plate, Designation 6-14
158827	Connector, Receptacle (32 Pt) 6-35, 6-38	162360	Fuse (.8 Amp) 6-8,6-31	173239	Relay Assembly, Auxiliary Reader Control 6-15
159230	Base 6-22	162361	Rectifier Assembly 6-8	173240	Cable Assembly 6-15
159269	Fuse (3/8 Amp) 6-7	162365	Jumper (18" Black) 6-2	173250	Jumper (16" Black) 6-2
159318	Relay Assembly, Slow Release 6-11	162428	Jumper (6" Black) 6-2	173251	Mounting Assembly, Line Relay 6-5
159319	Relay, Slow Release 6-11	162441	Resistor (3,750 Ohm) 6-15	173252	Key Assembly, Line Test 6-13
159320	Cover, Relay 6-10,6-11,6-32	162468	Cable Assembly, Main 6-38	173255	Plate, Relay 6-5
159321	Bracket, Relay 6-10,6-11,6-32, 6-39	162483	Relay Assembly, Call Directing 6-35	173281	Resistor Assembly 6-23
159322	Plate, Relay 6-10,6-11,6-32	162630	Modification Kit 6-14	173320	Plate, Relay Mounting 6-35
159323	Resistor (1500 Ohm) 6-11,6-16	162856	Cable Assembly, Main 6-38	173321	Bracket, Mounting 6-35
159324	Bracket, Resistor 6-11	162864	Clamp, Cable (7/8 ID) 6-18,6-20	173322	Switch, Stepping 6-35
159326	Mounting Assembly, Line Relay 6-5	162896	Cable Assembly, Main 6-38	173323	Relay (2 Coil) 6-35
159819	Connector, Plug (32 Pt) 6-38	163169	Shaft, Control 6-14	173324	Relay, Delay 6-35
159820	Connector, Receptacle (32 Pt) 6-38	163172	Bracket, Arm 6-14	173325	Relay 6-35
159821	Plate, Connector 6-26	163965	Plate Assembly, Blank 6-25	173326	Post, Guide 6-35
160226	Mounting Assembly, Line Relay 6-5	163966	Plate, Blank 6-25	173327	Bracket 6-35
160227	Cable Assembly 6-5	164085	Cable Assembly, Main 6-38	173328	Cable Assembly 6-35
160229	Plate 6-7,6-8,6-31	164232	Line Test Key Assembly 6-13	173329	Connector, Receptacle (32 Pt) 6-35
160284	Resistor (5500 Ohm) 6-5	164233	Cable Assembly 6-13	173330	Cover 6-35
160307	Diode (IN539) 6-7	164237	Cable Assembly, Main 6-38	173452	Keyer Assembly, Electronic 6-19
160308	Capacitor (300 Mfd) 6-7	164642	Jumper (22" Black) 6-2	173727	Modification Kit 6-3
160309	Transformer (115 Volt) 6-7	164643	Jumper (33" Black) 6-2	173779	Keyer Assembly, Electronic 6-19
160325	Relay (RS1) 6-37	164840	Plate, Mounting 6-31	173797	Plate 6-19
160326	Relay (ST) 6-37	164853	Cable Assembly 6-30	173800	Turret, Socket 6-19
160328	Relay (OL) 6-37	164854	Cable Assembly 6-30	173801	Tube, Vacuum 6-19
160332	Flasher, Thermal 6-37	164855	Cable Assembly 6-30	173817	Base, Tube Shield 6-19
160334	Modification Kit to Provide Transmitter Control 6-37	164862	Plate, Mounting 6-32	173842	Stud (6-40) 6-19
160336	Cable Assembly 6-37	164863	Relay 6-32	173844	Resistor (200,000 Ohm) 6-19
160337	Cable Assembly 6-38	164867	Cable Assembly, Auxiliary 6-32	174012	Container 6-32
160357	Clip, Spring 6-37	164868	Modification Kit 6-32,6-33,6-34	174306	Relay 6-37
160358	Cover W/Washer 6-37	164869	Cable Assembly 6-34	176348	Cable Assembly 6-38
160359	Plate, Relay 6-37	164870	Bracket 6-34	176381	Cable Assembly 6-38
160361	Clip, Mounting 6-37	164951	Cable Assembly, Main 6-38	176382	Switch, Rotary 6-38
160362	Plug, Banana 6-37	165008	Turret, Terminal 6-31,6-32	176386	Plate 6-39
160363	Capacitor (6 Mfd) 6-37	165060	Socket, Tube 6-21,6-29	176387	Bracket, Mounting 6-39
160365	Jumper (28" Braided) 6-37	165062	Capacitor (2 Mfd) 6-22	176388	Cable Assembly 6-38
160367	Plate, Mounting - Left 6-26	165073	Diode (KS-15724) 6-23	176448	Control Assembly, Relay Motor 6-16
160369	Switch, Push Button 6-38	165116	Terminal 6-20	176495	Transformer, Power 6-9
160373	Cable Assembly, Container 6-38	165168	Key 6-29	176673	Suppressor W/Terminals, Spark 6-10
160378	Cable Assembly, Auxiliary Switch 6-38	165522	Diode (420B) 6-18,6-20	176680	Cable Assembly 6-38
160379	Cable Assembly, Cabinet 6-38	165650	Relay Assembly, Motor Control and Answer Back Control 6-20	176692	Relay 6-10
160384	Bracket, Connector 6-38	165651	Bracket, Mounting 6-20	176693	Cable Assembly 6-10
160385	Plate, Relay 6-5	165652	Cable Assembly 6-20	176694	Relay Assembly 6-10
160386	Resistor (1,000 Ohm) 6-39	170285	Resistor Assembly 6-23	176696	Relay, Slow Release 6-10,6-22
160389	Screw (12-24 x 1-1/4 Rd) 6-37	170286	Cable Assembly, Main 6-38	176697	Cable Assembly 6-10
160411	Bracket 6-37	170287	Plate 6-23	176698	Relay Assembly 6-10
160419	Cable Assembly 6-15	170288	Resistor (3,500 Ohm) 6-23	176788	Capacitor (60 Mfd) 6-10
		170289	Capacitor (1.3-1.6 Mfd) 6-23	176810	Relay Assembly 6-10
				176811	Plate, Mounting 6-10
				176812	Cable Assembly 6-10
				178137	Cable Assembly 6-22

NUMERICAL INDEX - SECTION 6 (Continued)

Part Number	Description and Page Number	Part Number	Description and Page Number	Part Number	Description and Page Number
178138	Relay Assembly, Slow Release 6-22	178781	Cable Assembly 6-38	179472	Modification Kit 6-37
178140	Plate, Mounting 6-22	178831	Connector, Receptacle (2 Pt) 6-4	179484	Screw (12-24 x 5/16 Pan Head) 6-15
178306	Relay, Power 6-17, 6-18, 6-20	178832	Plate, Adapter 6-4	179486	Cover, Insulator 6-5
178307	Relay Assembly, Motor Control 6-17	178853	Cover 6-3	179487	Stud (6-40) 6-5
178308	Cable Assembly 6-17, 6-18	178854	Bracket 6-3	179488	Mounting Assembly, Line Relay 6-5
178326	Capacitor (20 Mfd) 6-18, 6-20	178856	Relay, Line Shunt 6-3	179627	Cable Assembly 6-38
178327	Cable Assembly 6-18	178913	Diode (1N603) 6-31	179632	Relay, Quick Acting 6-39
178328	Bracket, Mounting 6-18	179195	Switch, Rotary 6-34	179662	Cover, Relay 6-39
178330	Plate 6-18, 6-20	179196	Connector, Plug (75 Pt) 6-34	179671	Plate, Relay 6-5
178345	Modification Kit 6-18	179197**	Panel 6-34	179782	Screw (6-40 x 7/8 Hex) 6-17, 6-18, 6-20
178351	Relay Assembly, Line 6-33	179200	Plate, Designation 6-34	179953	Modification Kit To Convert Early Design Control Device to a 179472 6-37
178352	Relay Assembly, Line 6-33	179234	Cable Assembly 6-34	179954	Relay 6-37
178382	Cable Assembly, Sub 6-31	179429	Cable Assembly 6-38	179956	Cable Assembly, Relay 6-37
178394	Plate 6-17	179444	Relay Assembly, Auxiliary Reader Control 6-15	194492	Key Assembly, Line Test 6-13
178535	Suppressor W/Terminals, Spark 6-17, 6-18, 6-22	179445	Cable Assembly, Line Relay Mounting (REPERF) 6-5		
178608	Relay Assembly 6-18	179446	Cable Assembly 6-15		
178609	Cable Assembly 6-18				

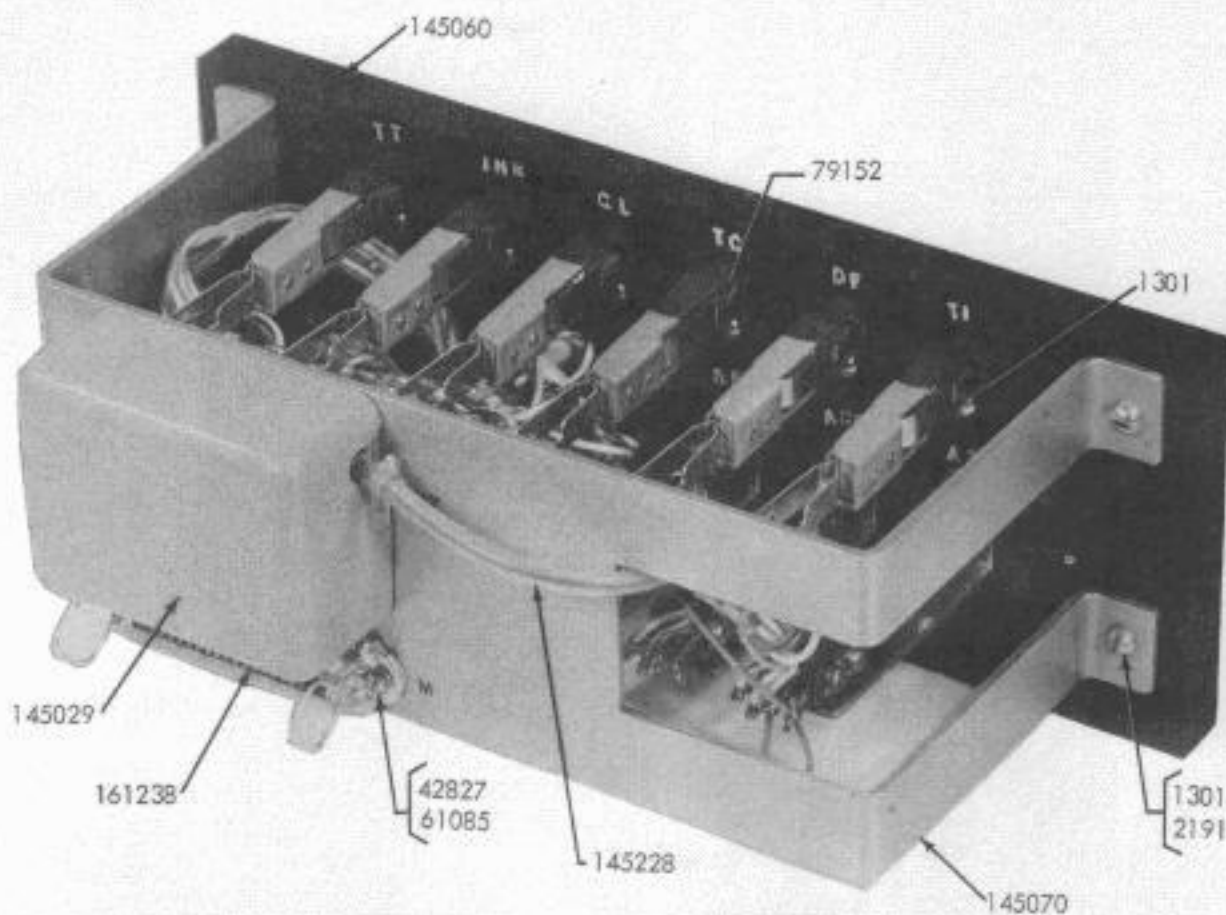
SECTION 7

AUXILIARY ELECTRICAL COMPONENTS

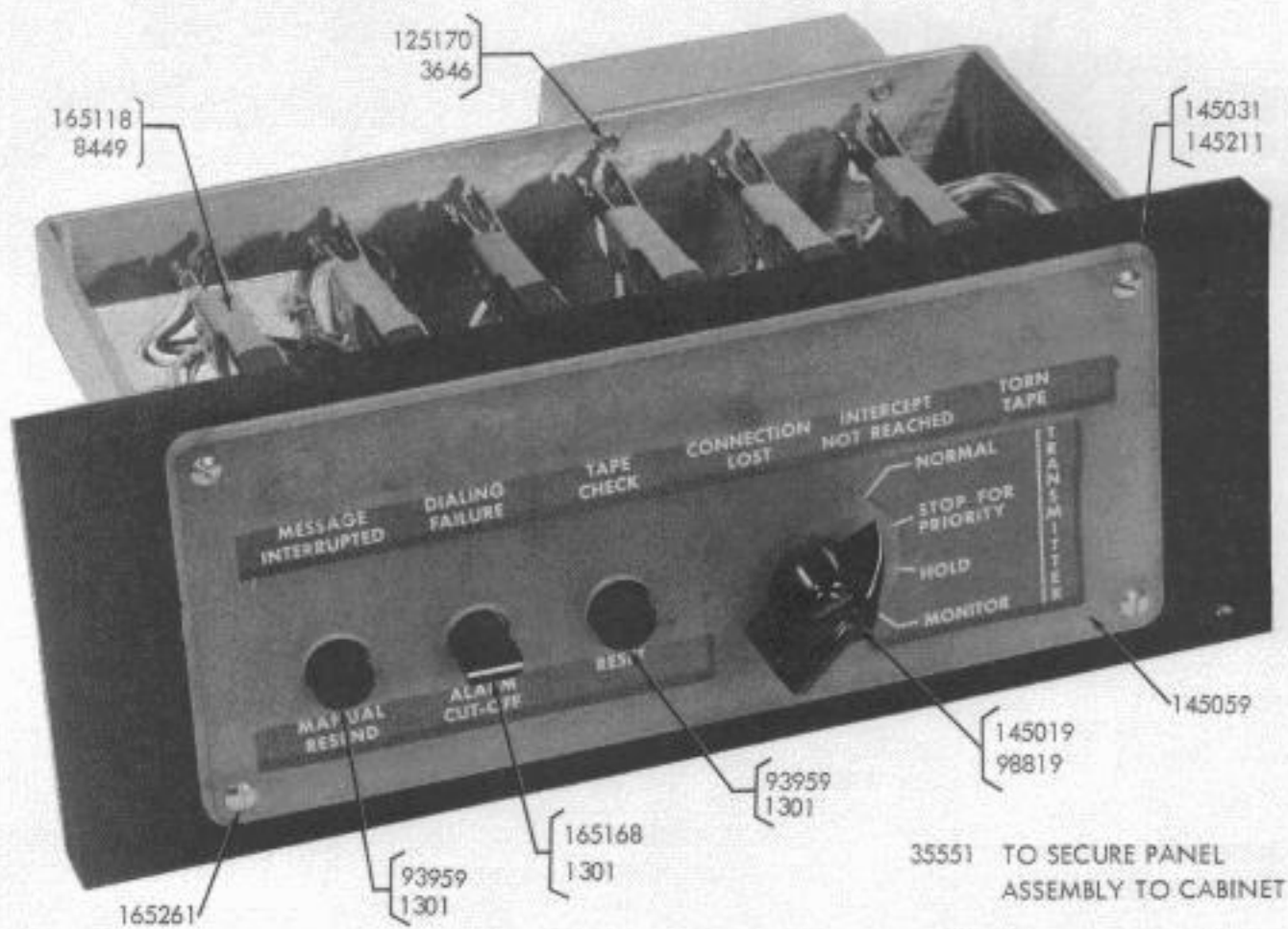


CABLE CLAMP	CABLE	CLAMP SIZE (ID)
121243	145025 - R	3/16
121246	144615 - S	3/8
121247	145218 - A-A	7/16
121248	145097 - X	1/2
121248	145030 - U	1/2
121248	145098 - Y	1/2
121248	145243 - M	1/2
121249	145001 - V	5/8
121249	145011 - N	5/8
	145096 - W	

FIGURE 7-1. 145000 DISTRIBUTOR PANEL ASSEMBLY



REAR VIEW



FRONT VIEW

FIGURE 7-2. 145200 KEY AND LAMP ASSEMBLY

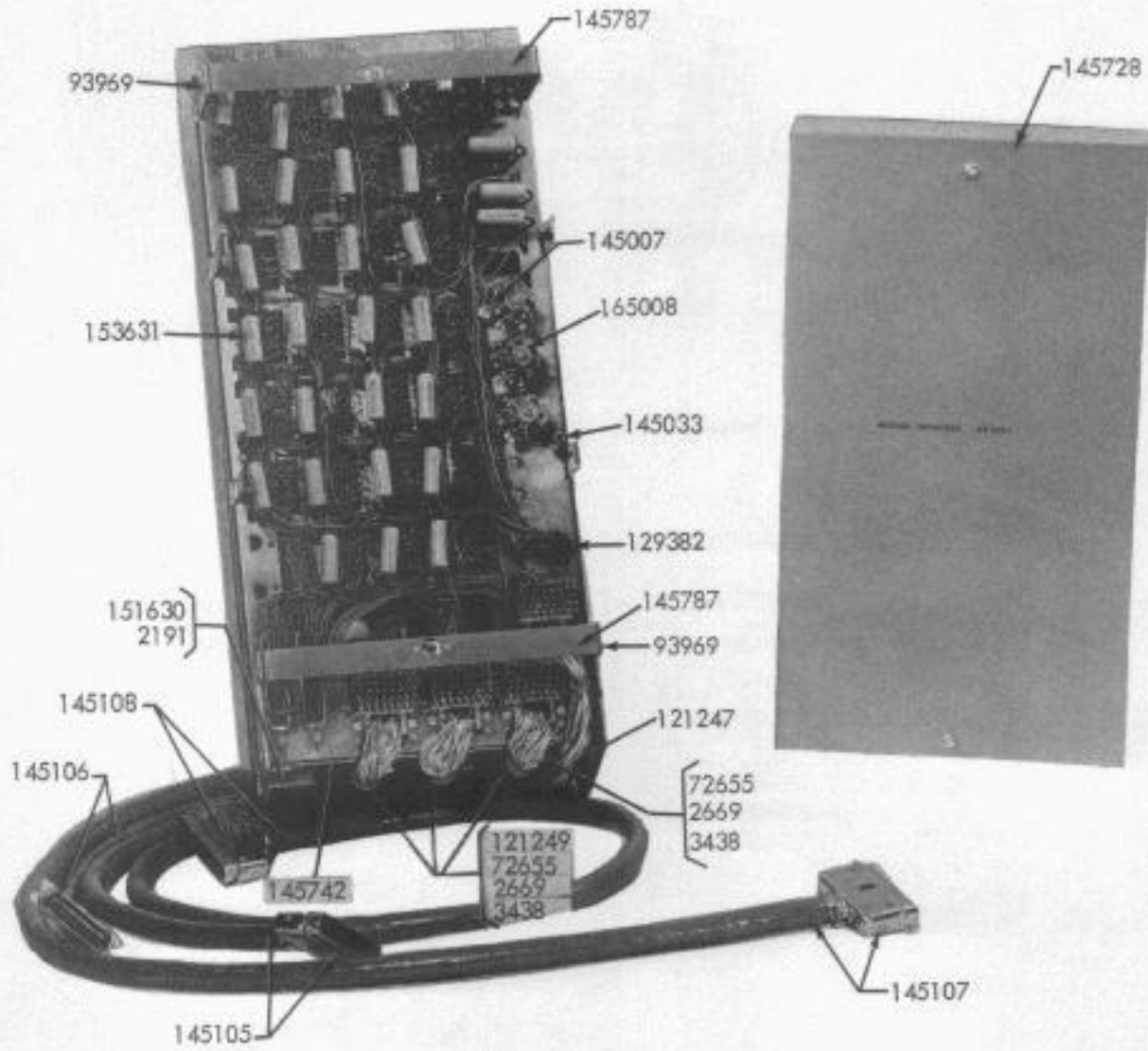
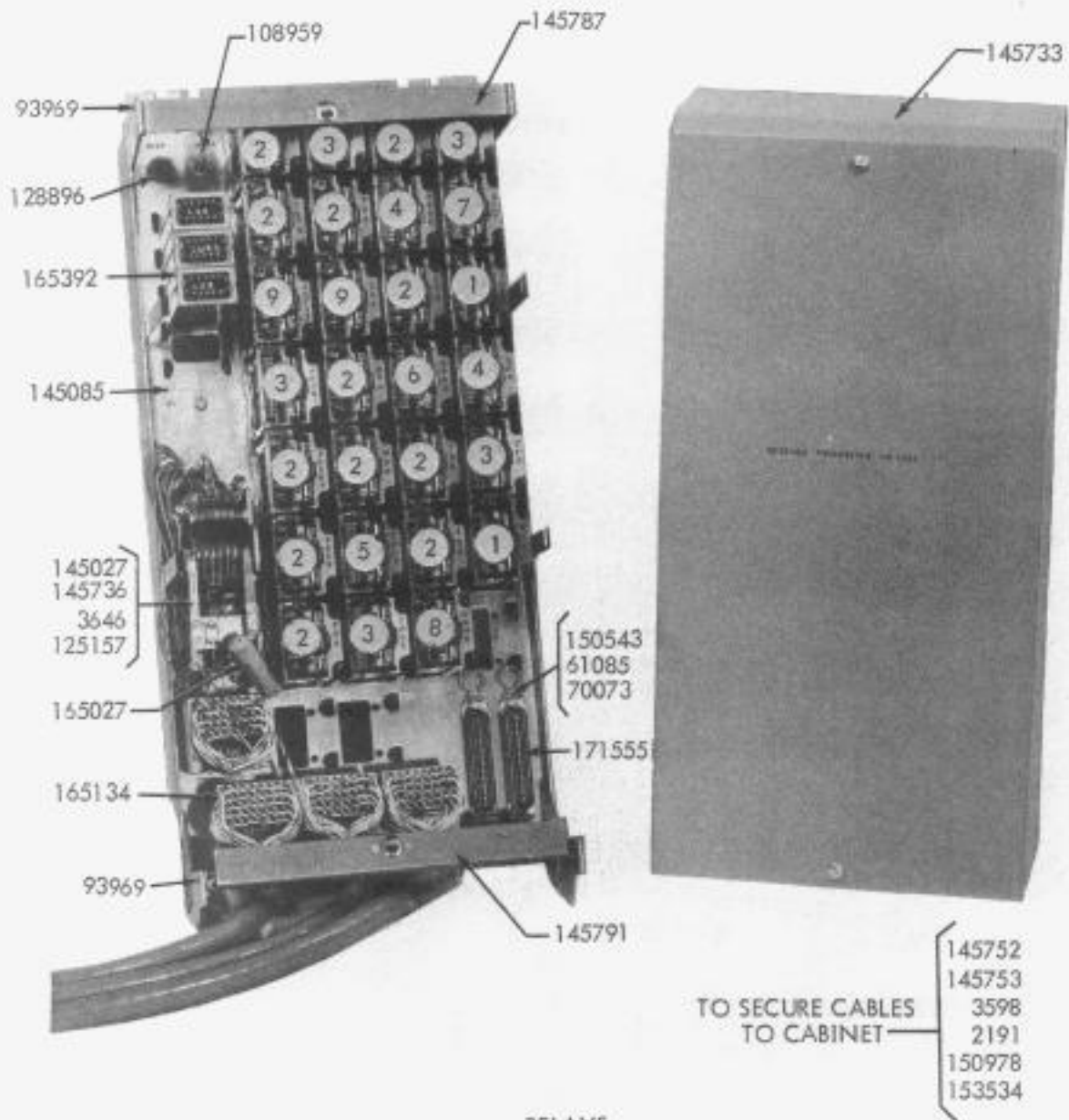


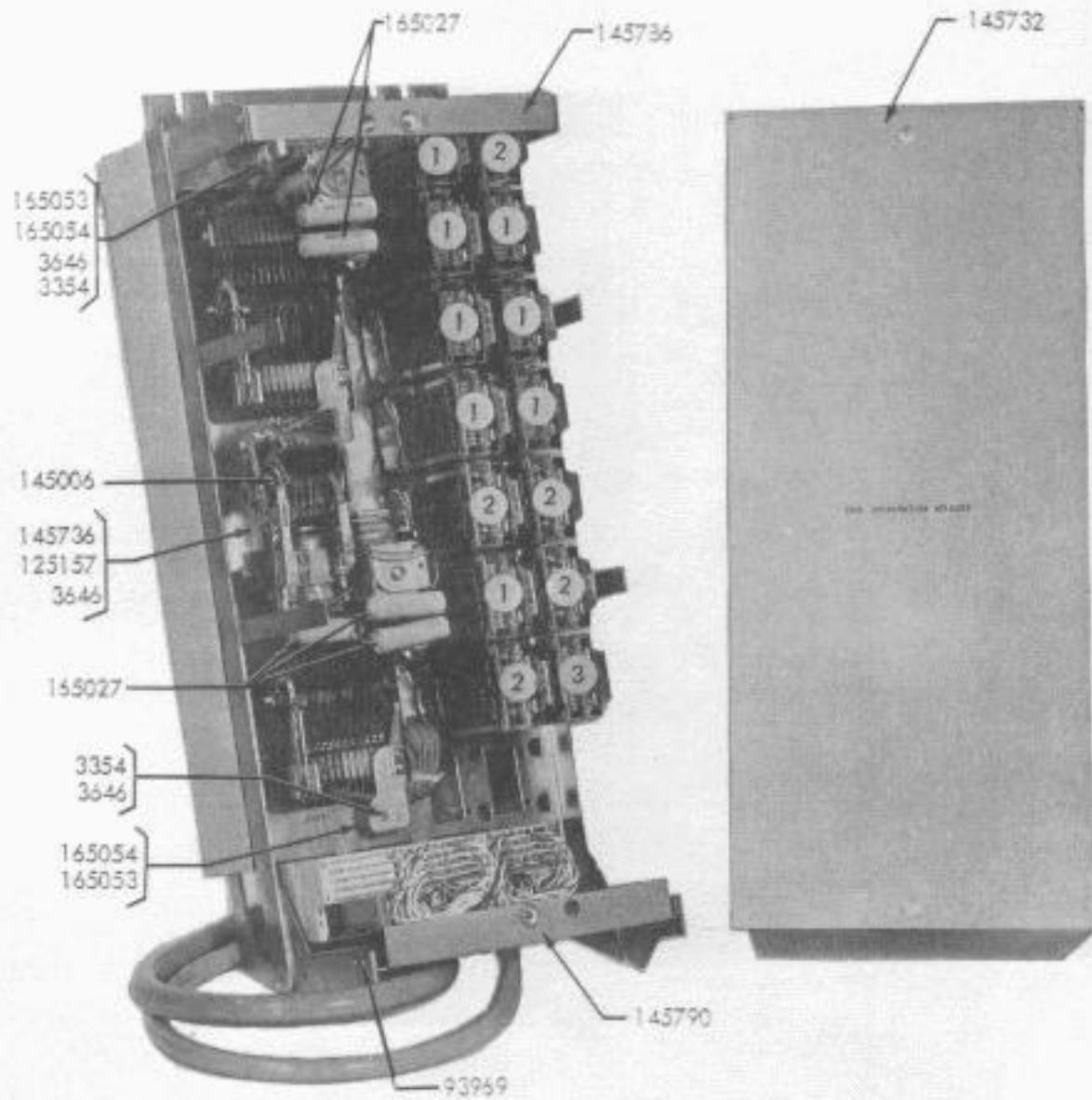
FIGURE 7-3. 145050 MESSAGE PROCESSING PANEL ASSEMBLY - FRONT VIEW



RELAYS

- | | |
|-----------|-----------|
| 1. 145002 | 5. 145092 |
| 2. 145003 | 6. 145093 |
| 3. 145008 | 7. 145095 |
| 4. 145009 | 8. 165051 |
| | 9. 145349 |

FIGURE 7-4. 145050 MESSAGE PROCESSING PANEL ASSEMBLY - REAR VIEW



RELAYS

1. 144979
2. 145003
3. 145004

FIGURE 7-6. 145100 TAPE PREPARATION PANEL ASSEMBLY - REAR VIEW

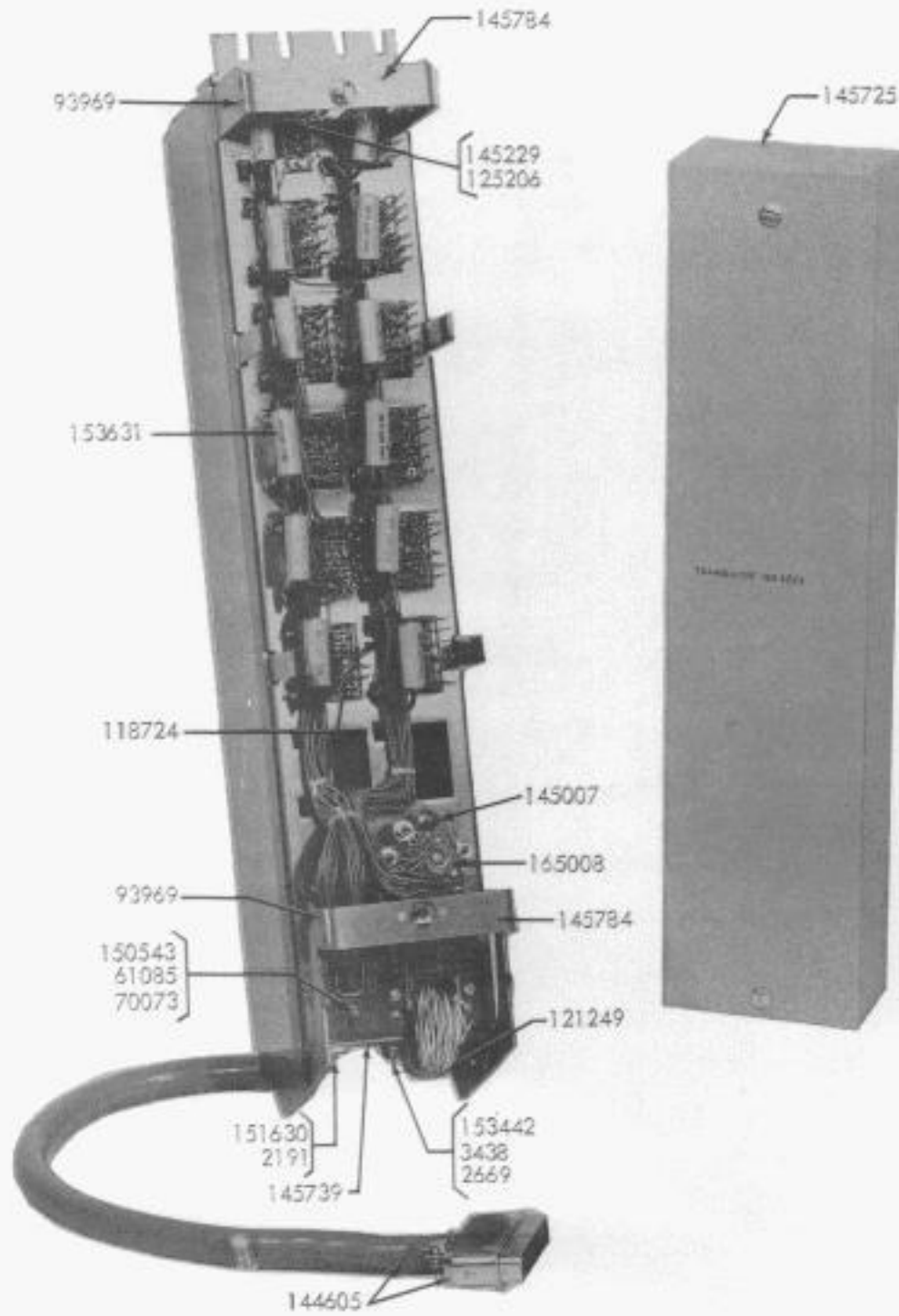
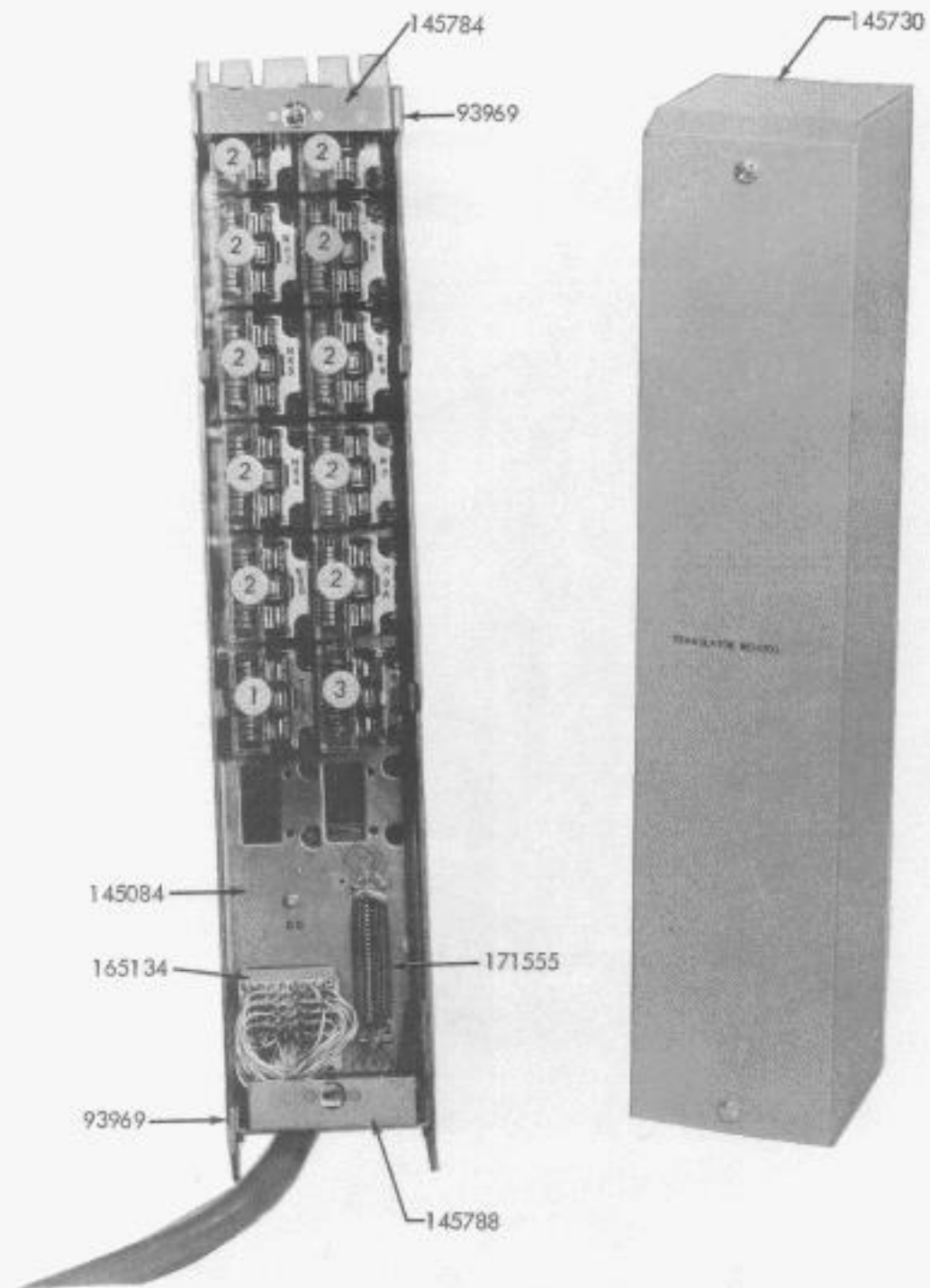


FIGURE 7-7. 145225 TRANSLATOR PANEL ASSEMBLY - FRONT VIEW



RELAYS

1. 145002
2. 145008
3. 145022

FIGURE 7-8. 145225 TRANSLATOR PANEL ASSEMBLY - REAR VIEW

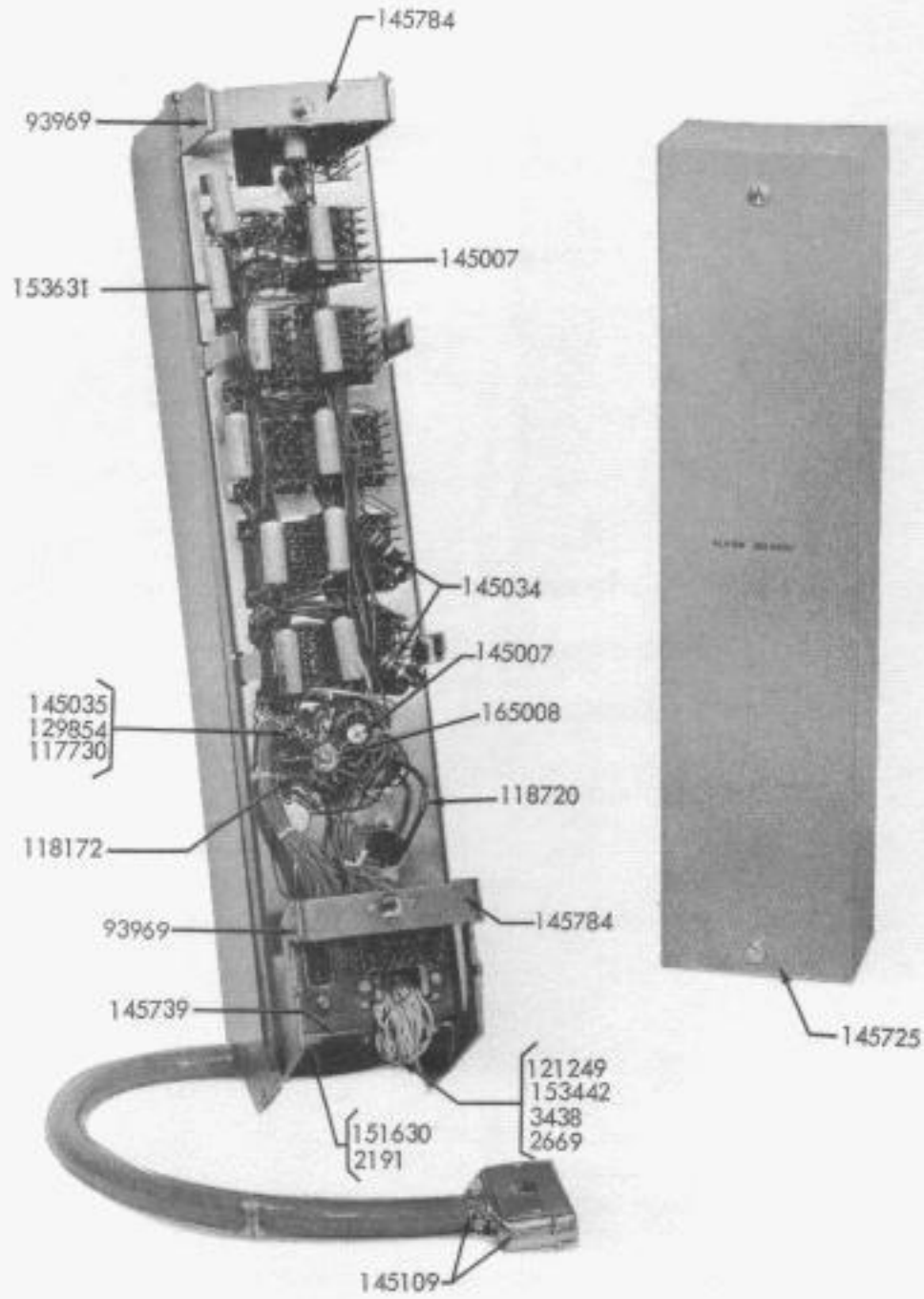


FIGURE 7-9. 145250 ALARM PANEL ASSEMBLY - FRONT VIEW

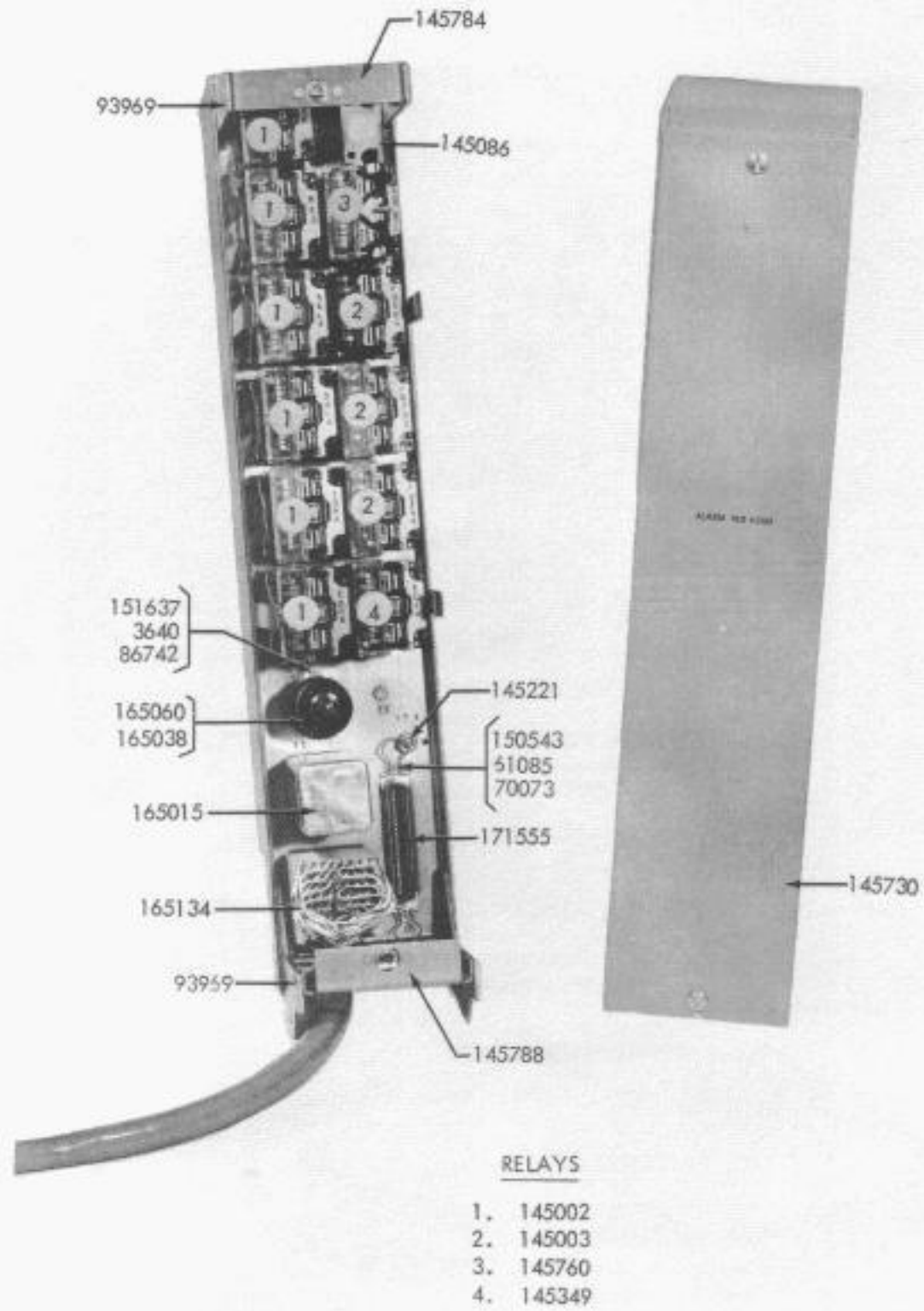


FIGURE 7-10. 145250 ALARM PANEL ASSEMBLY - REAR VIEW

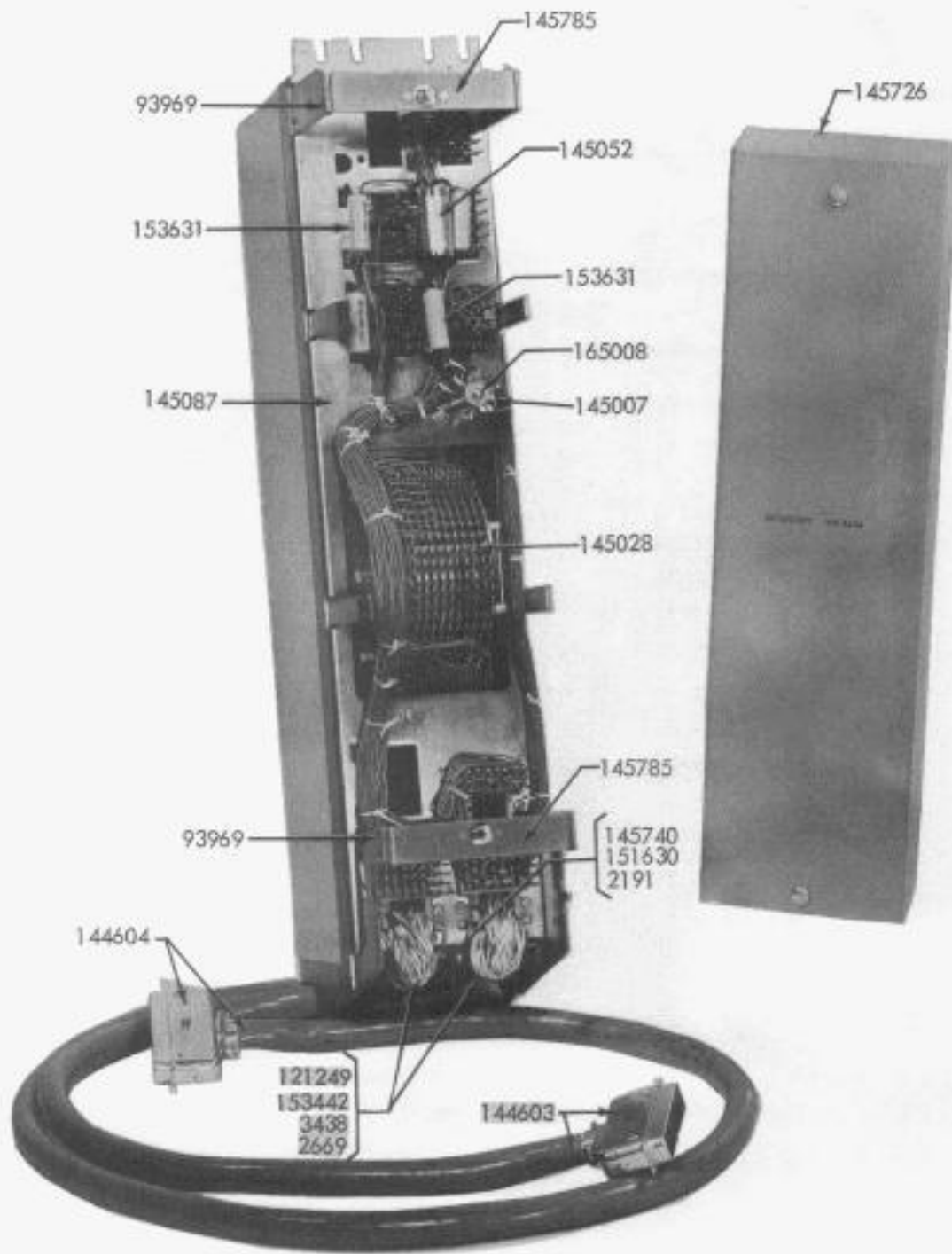
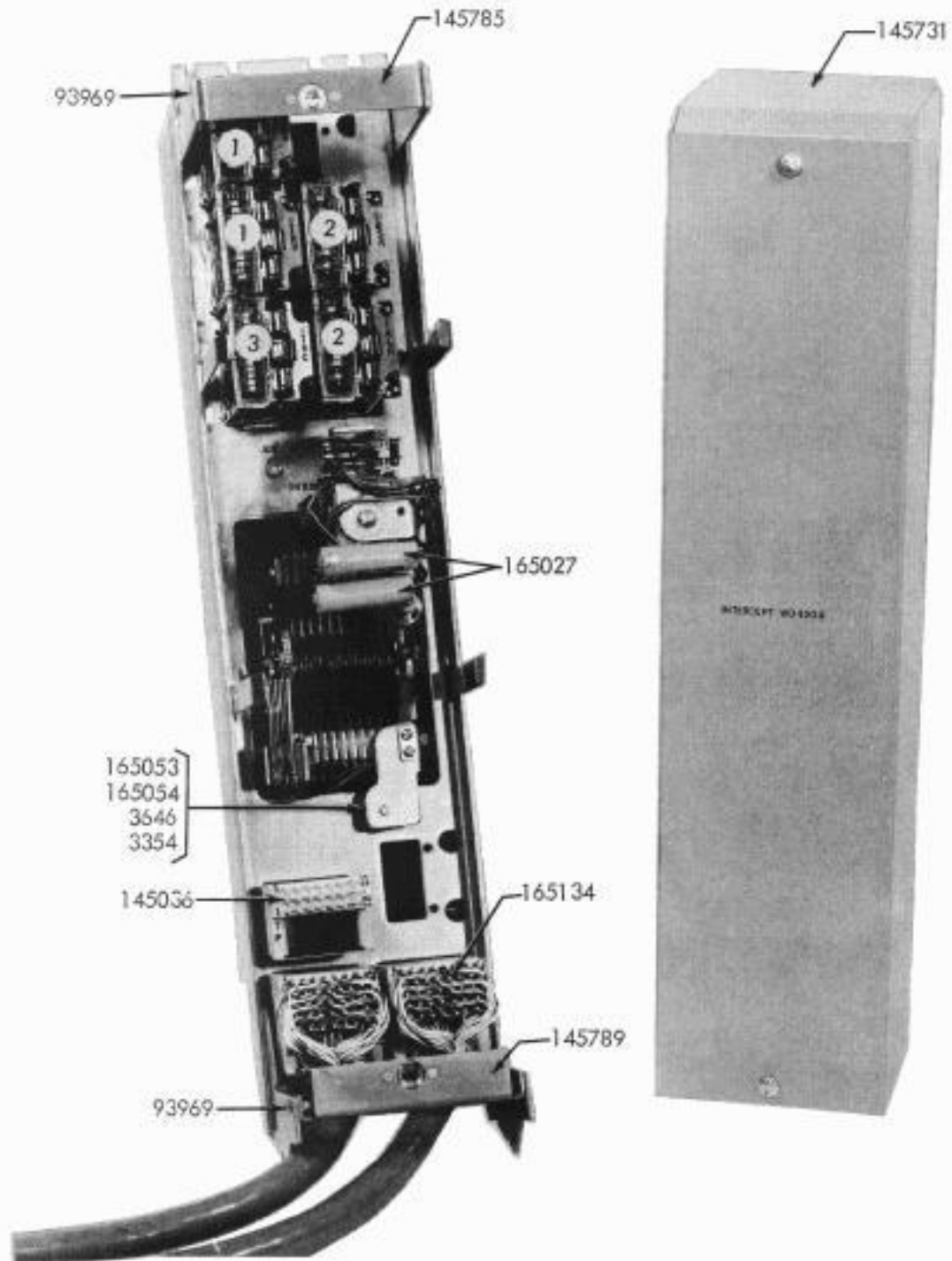


FIGURE 7-11. 145350 INTERCEPT PANEL ASSEMBLY - FRONT VIEW



RELAYS

- 1. 145002
- 2. 145003
- 3. 145008

FIGURE 7-12. 145350 INTERCEPT PANEL ASSEMBLY - REAR VIEW

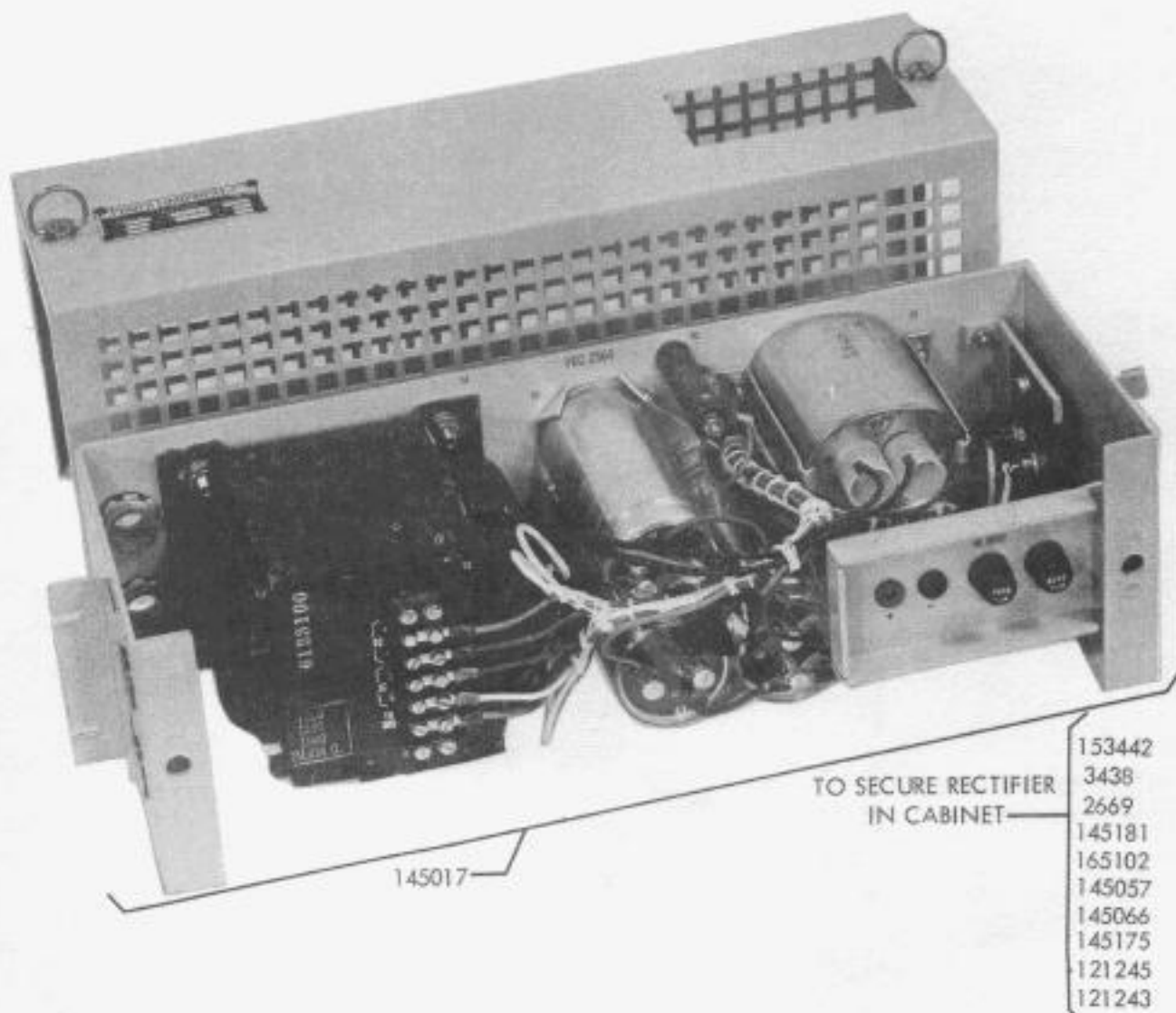


FIGURE 7-13. 145204 POWER SUPPLY D.C.

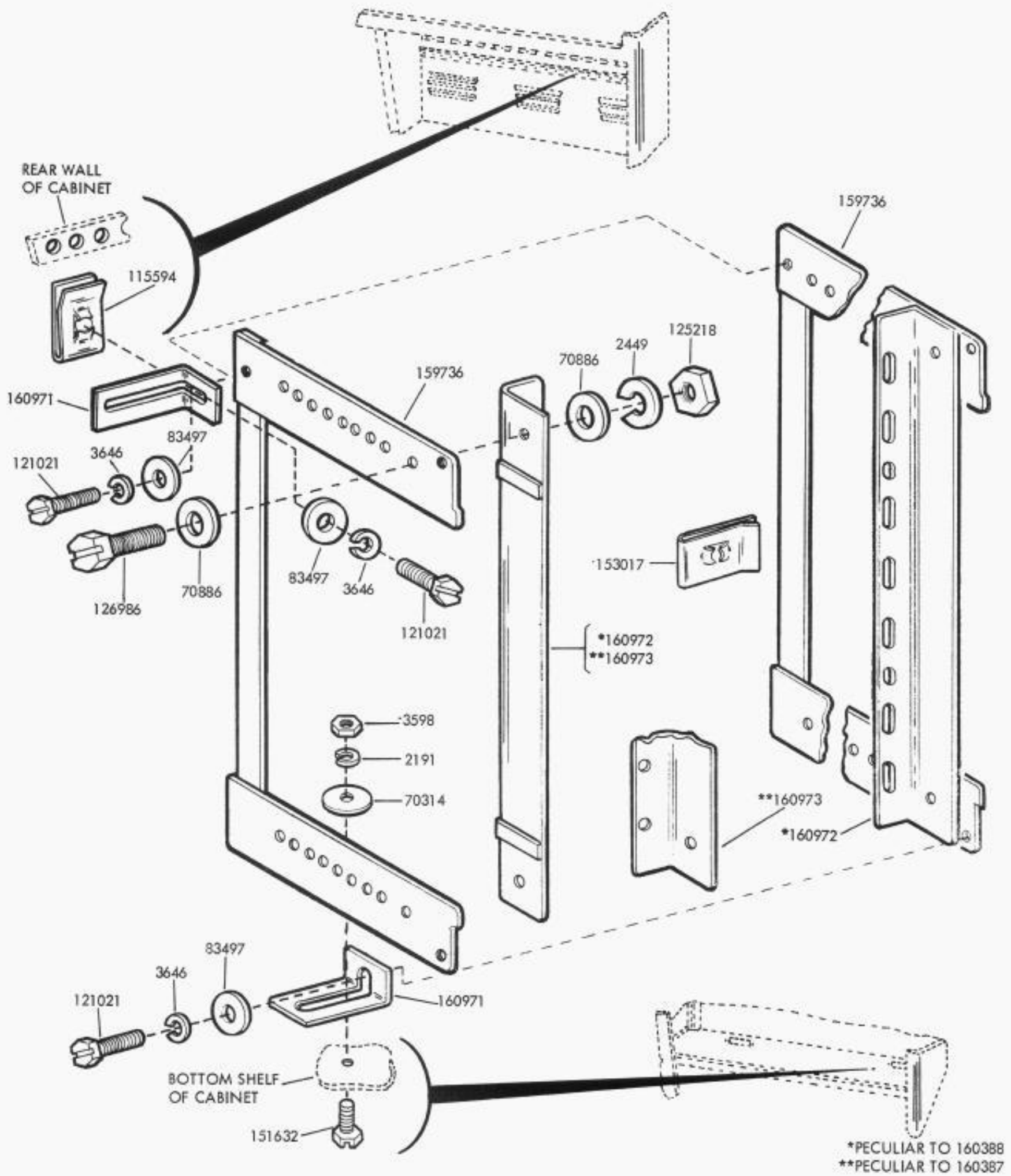


FIGURE 7-15. 160387 AND 160388 MODIFICATION KITS TO PROVIDE RELAY RACK BRACKETS

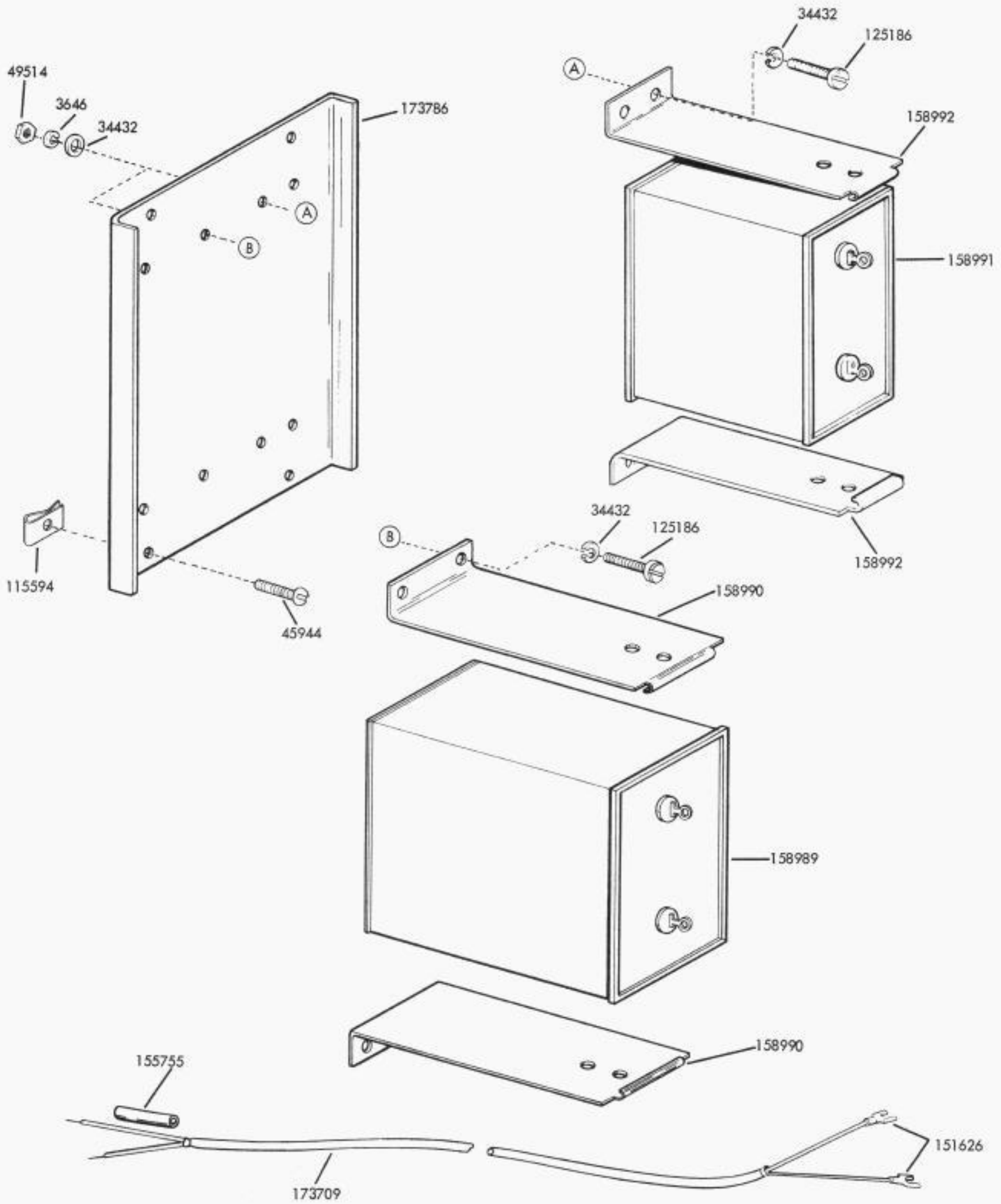


FIGURE 7-17. 173706 MODIFICATION KIT FOR POWER FACTOR CORRECTION IN CABINET (LAAC)

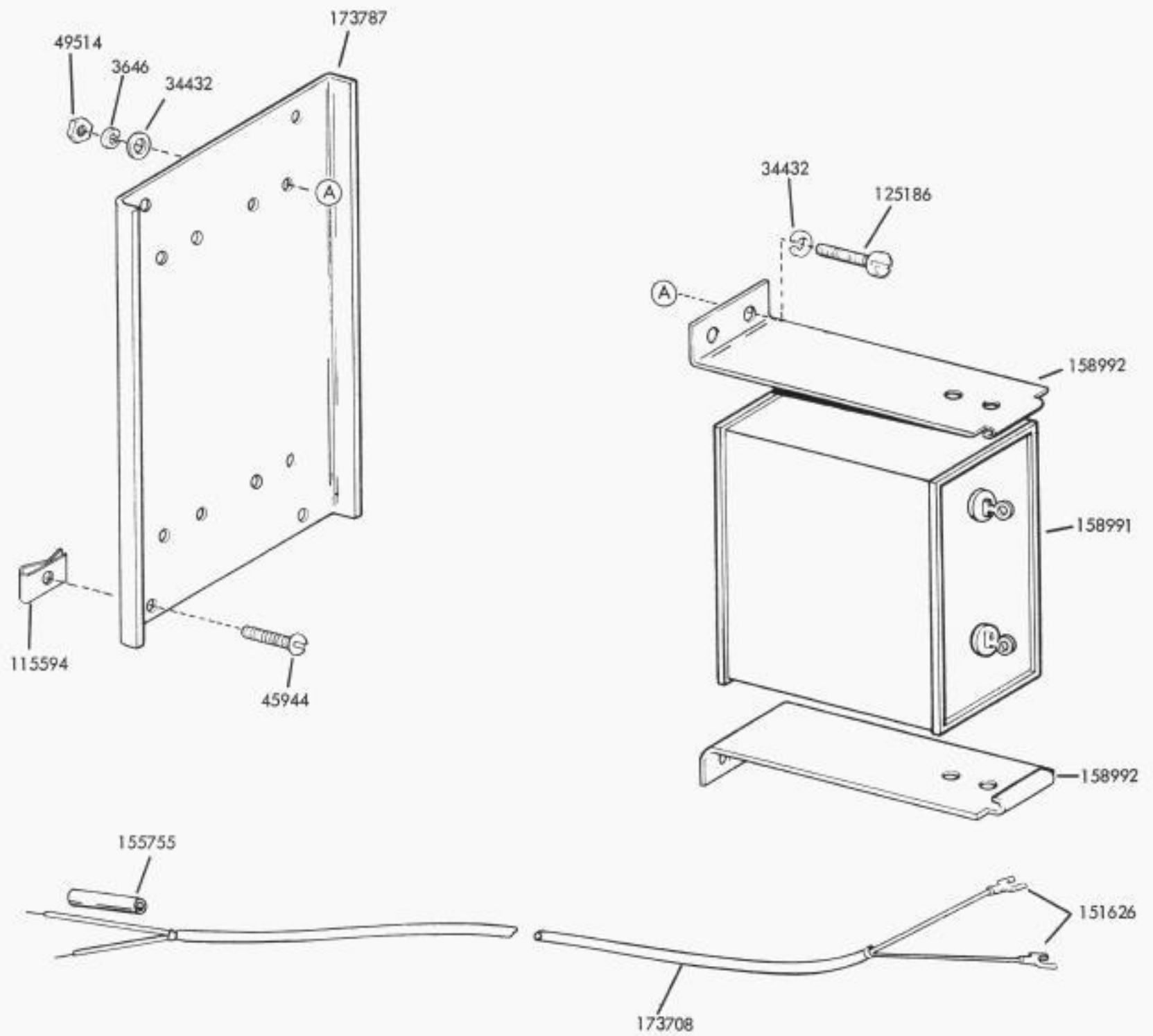
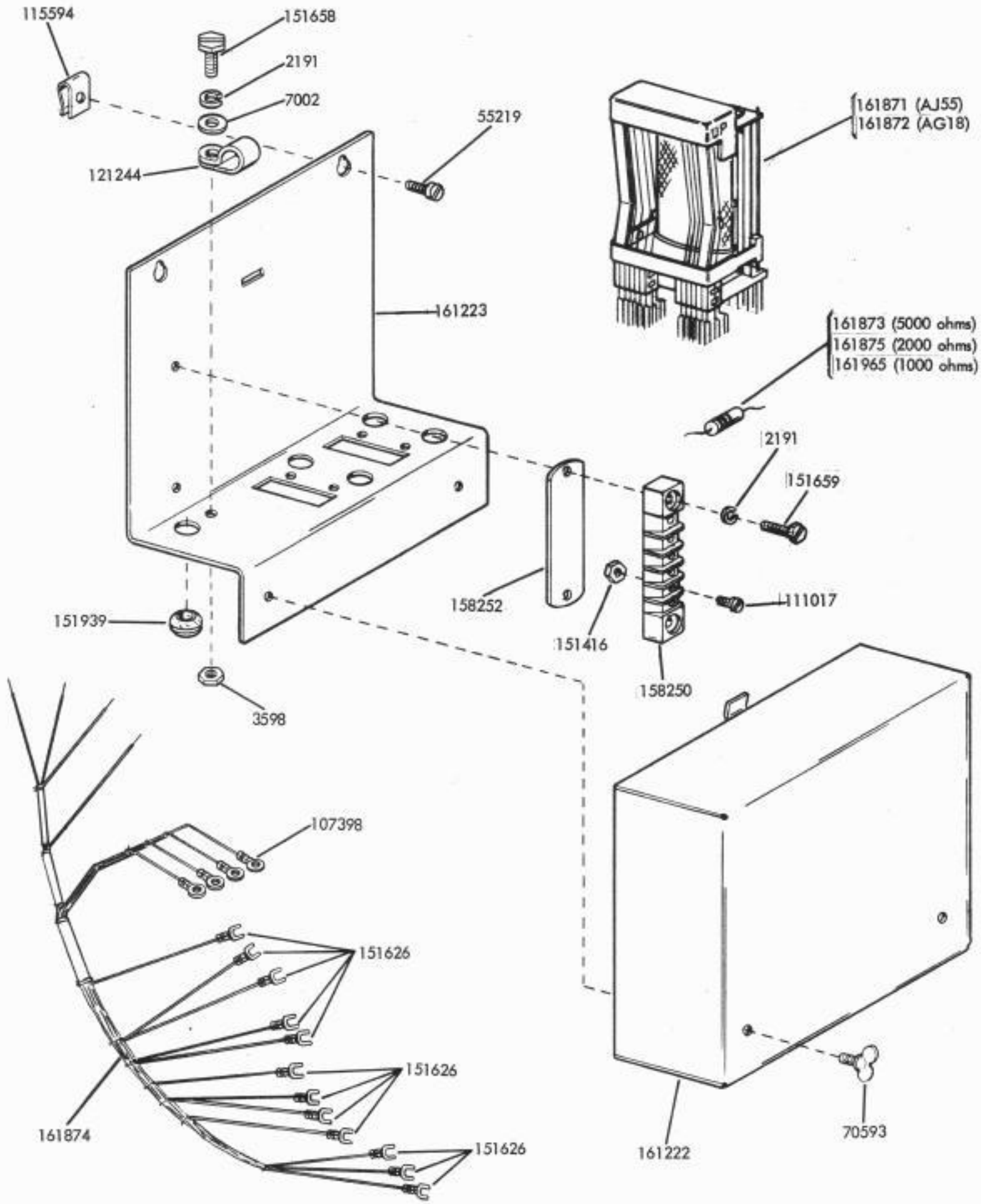


FIGURE 7-18. 173707 MODIFICATION KIT TO ADD POWER FACTOR CORRECTION TO AUXILIARY REPERFORATOR IN CABINET (LAAC)



SPECIFICATION 59005

FIGURE 7-19. 161302 MODIFICATION KIT TO ADD AUTOMATIC CHARACTER
FEED-OUT CIRCUIT TO AN ASR SET

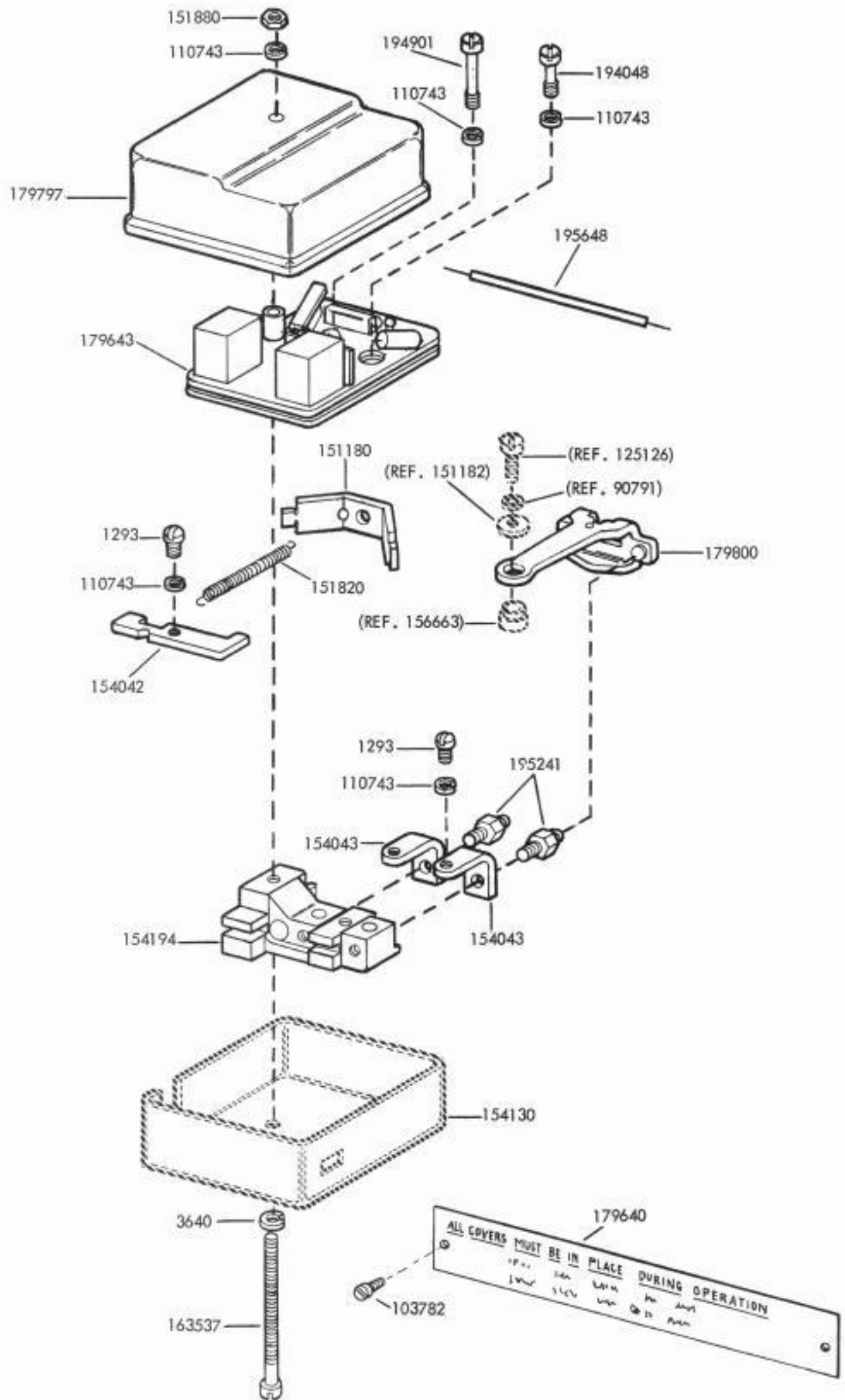
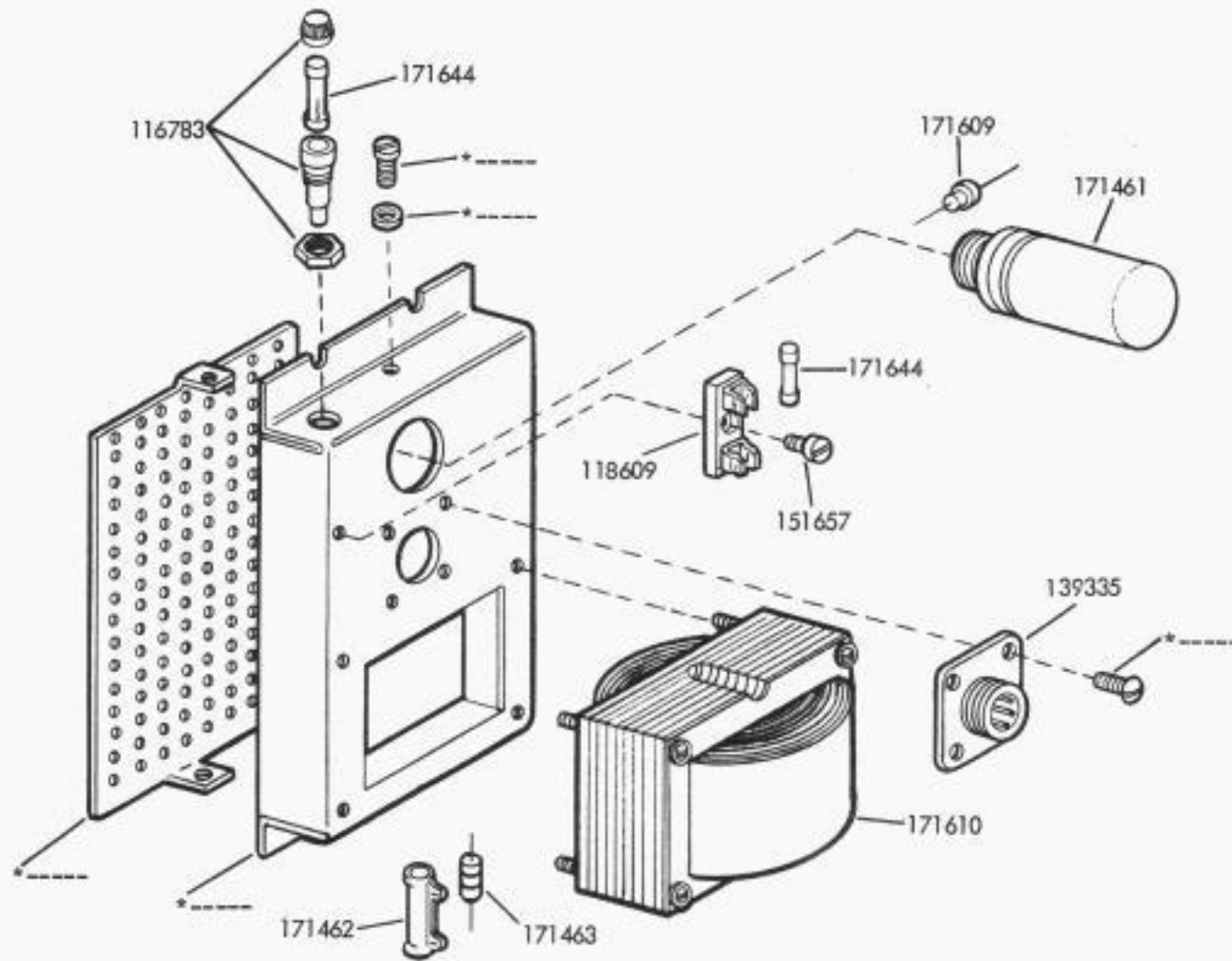
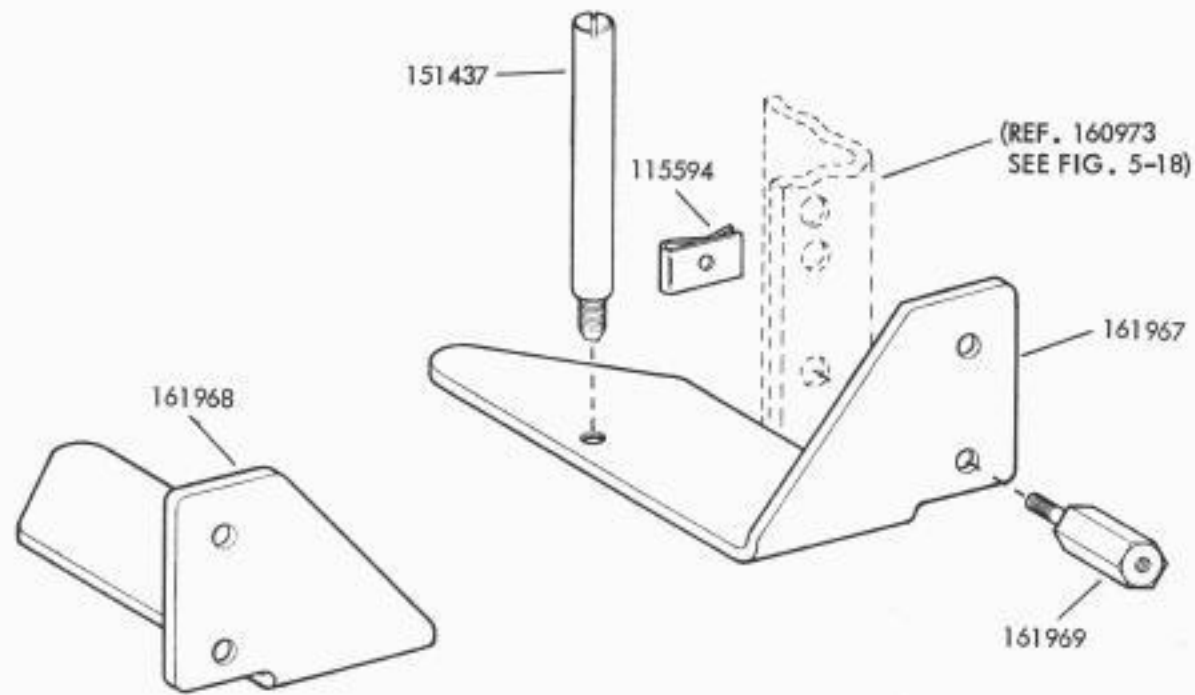


FIGURE 7-22. 179610 AND 179611 MODIFICATION KITS TO REDUCE RADIO FREQUENCY NOISE ON ASR SET (Continued)



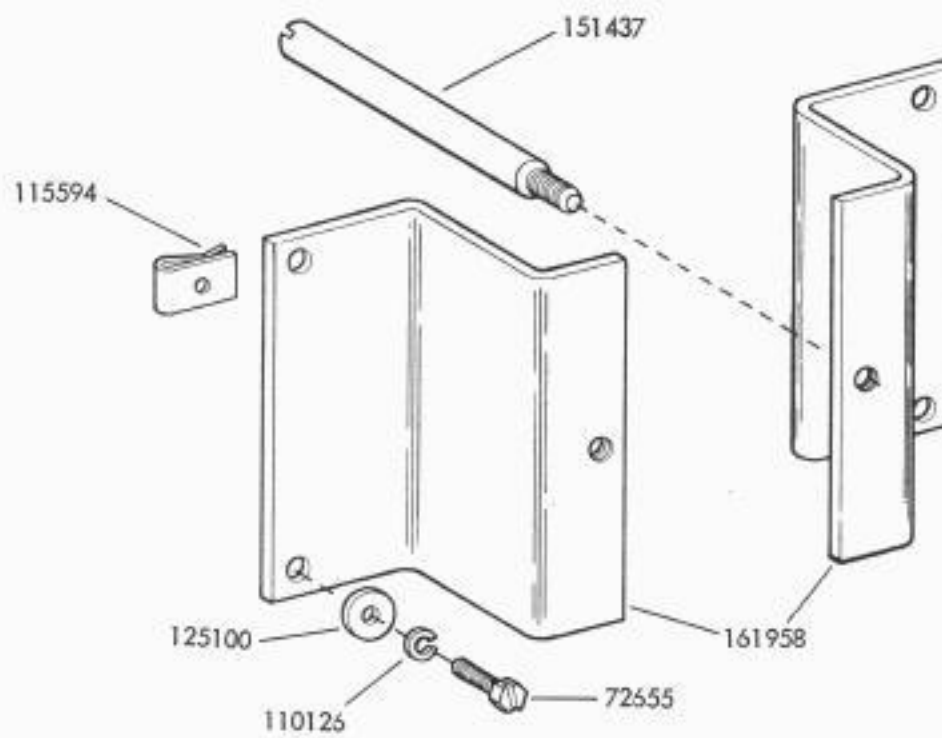
*—Replacement Part Numbers Not Assigned

FIGURE 7-23. 170573 MODIFICATION KIT - 48 VOLT RECTIFIER ASSEMBLY



NEW STYLE

SPECIFICATION 59285



OLD STYLE

FIGURE 7-24. 161829 MODIFICATION KIT FOR MOUNTING AN ELECTRICAL SERVICE UNIT ON RELAY RACK BRACKETS

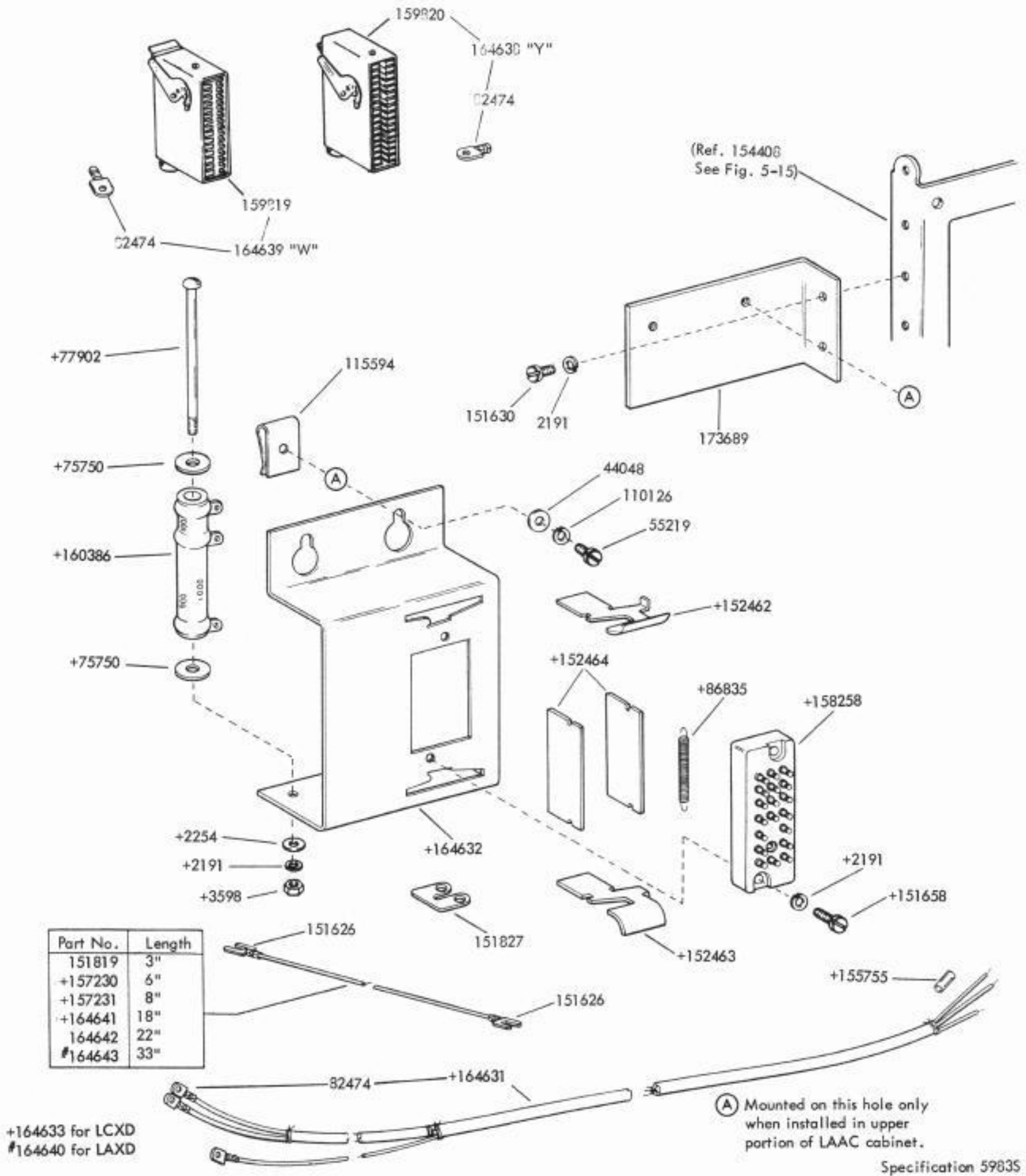


FIGURE 7-25. 164633 AND 164640 MODIFICATION KITS TO PERMIT LAXD3 AND LCXD1 TRANSMITTER DISTRIBUTORS TO OPERATE WITH LESU13 AND LESU15

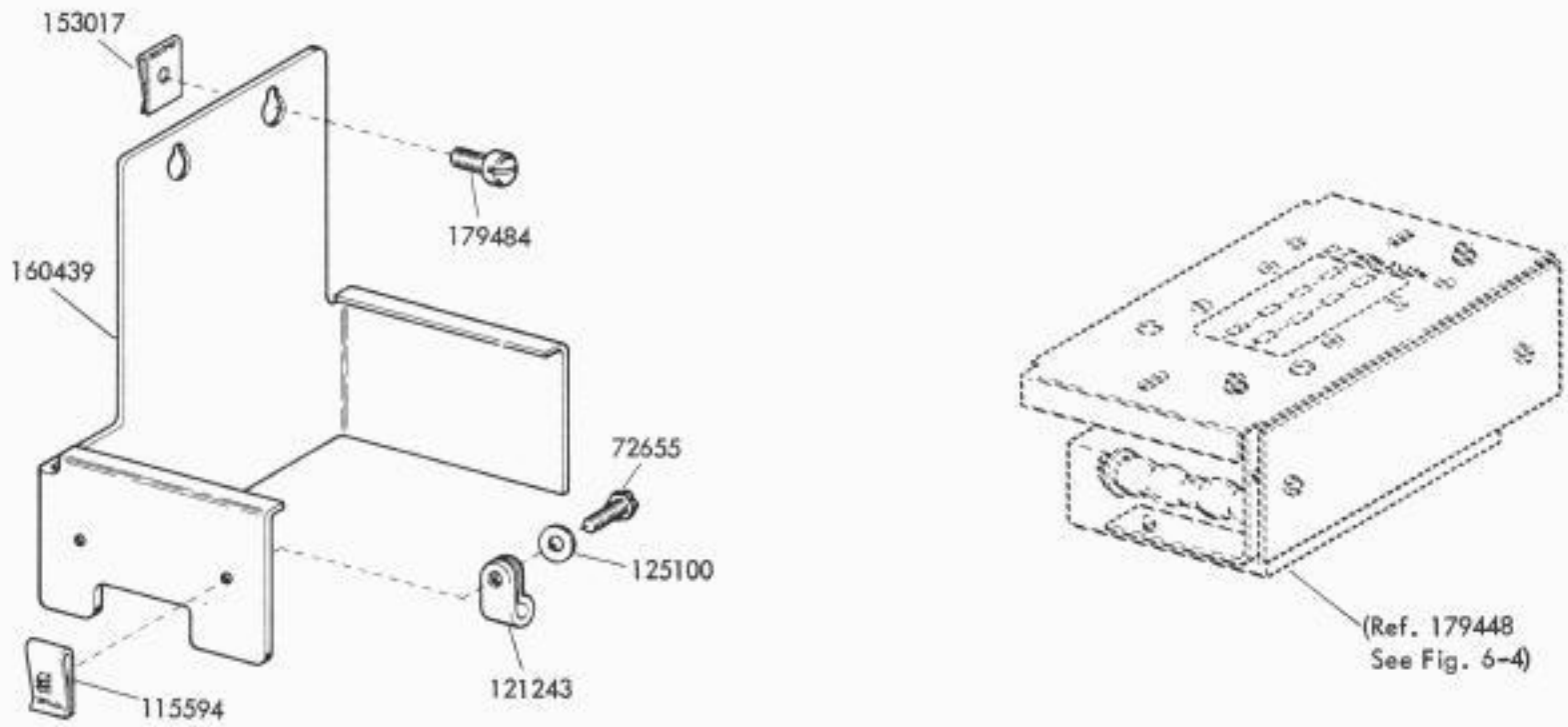


FIGURE 7-26. 179139 AUXILIARY REPERFORATOR LINE RELAY ASSEMBLY

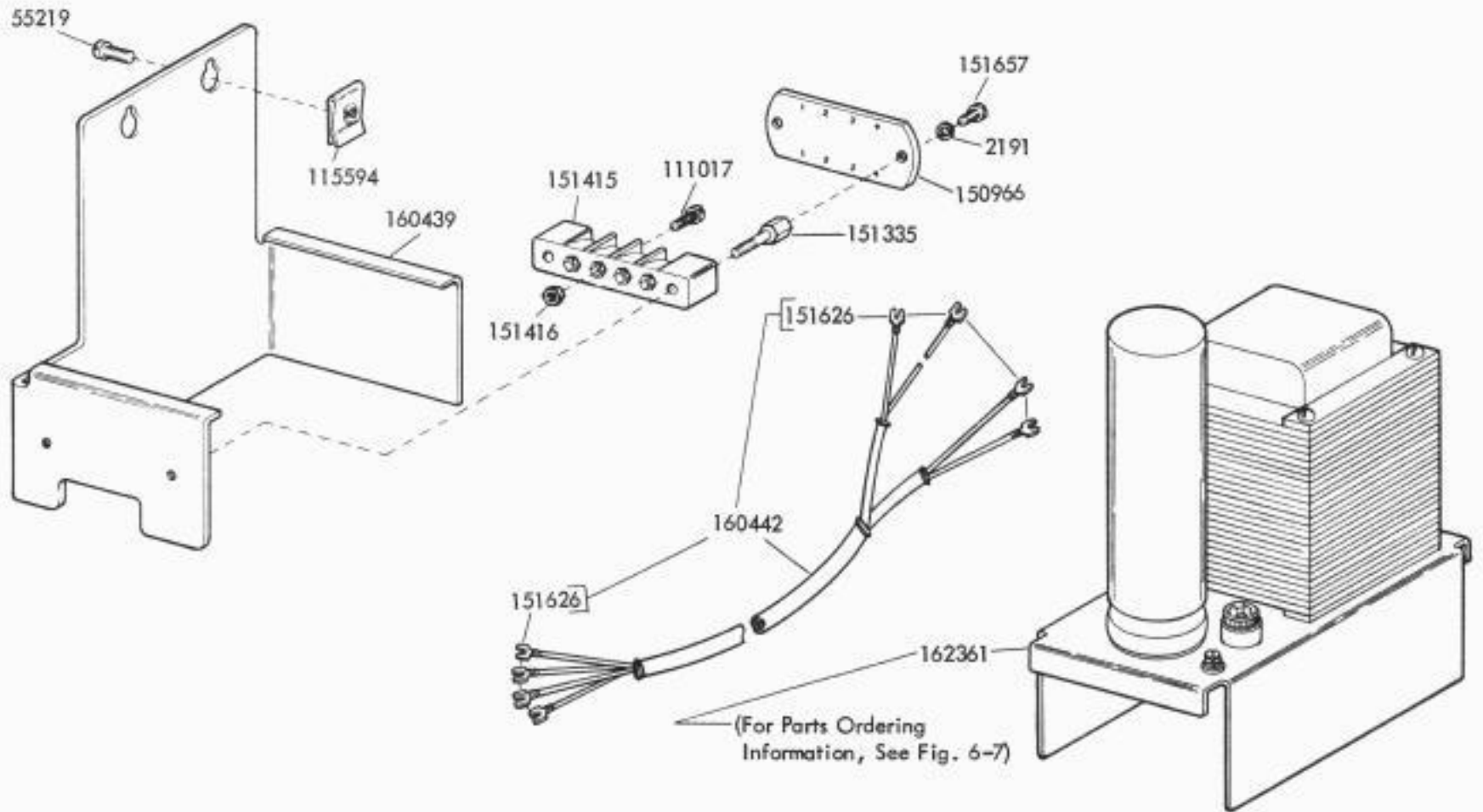


FIGURE 7-27. 160422 MODIFICATION KIT TO EQUIP LAAC CABINET WITH RECTIFIER

NUMERICAL INDEX - SECTION 7

Part Number	Description and Page Number	Part Number	Description and Page Number	Part Number	Description and Page Number
1157	Screw (8-32 x 1/2 Fil) 7-15	108959	Switch, Toggle 7-4	143304	Washer, Lock 7-15
1245	Screw (10-32 x 1 Fil) 7-22	110126	Washer, Lock 7-25,7-26	143306	Fuse (1 Amp) 7-15
1264	Screw (10-32 x 1/2 Flat) 7-15	110743	Washer, Lock 7-2,7-23	143307	Fuse (0.6 Amp) 7-15
1293	Screw (4-40 x 1/8 Fil) 7-23	111017	Screw (6-40 x 5/16 Fil) 7-2,7-20, 7-27	143308	Screw (10-24 x 5/8 Flat) 7-15
1301	Screw (6-32 x 3/8 Rd) 7-3	112626	Nut (10-32 Hex) 7-2	143309	Capacitor (2.75 Mfd) 7-15
2191	Washer, Lock 7-2 to 7-6,7-8,7-10, 7-12,7-16,7-17,7-20 to 7-22,7-26, 7-27	115594	Nut, Speed (8-32) 7-16,7-18 to 7-20,7-22,7-25,7-26,7-27	143310	Capacitor (1250 Mfd) 7-15
2254	Washer, Flat 7-26	116783	Holder, Fuse 7-2,7-24	143311	Connector (Black) 7-15
2449	Washer, Lock 7-16	117730	Resistor (10 Meg. Ohm) 7-10	143312	Connector (Red) 7-15
2669	Washer, Lock 7-2,7-4,7-6,7-8, 7-10,7-12,7-14,7-15	118154	Resistor (47,000 Ohm) 7-17	143313	Resistor (6000 Ohm) 7-15
3354	Nut (8-32 Hex) 7-7,7-13	118172	Resistor (2.2 Meg. Ohm) 7-10	143314	Bracket, Mounting 7-15
3438	Washer, Flat 7-2,7-4,7-6,7-8, 7-10,7-12,7-14,7-15	118193	Resistor (10,000 Ohm) 7-17	143315	Terminal, Insulated 7-15
3598	Nut (6-40 Hex) 7-2,7-5,7-16, 7-17,7-20,7-22,7-26	118206	Resistor (12,000 Ohm) 7-17	143317	Bracket, Mounting 7-15
3599	Nut (4-40 Hex) 7-17,7-22	118511	Fuse (1/8 Amp) 7-2	143319	Chassis 7-15
3639	Washer, Lock 7-15	118609	Holder, Fuse 7-24	143320	Cover 7-15
3640	Washer, Lock 7-11,7-17,7-18, 7-22,7-23	118720	Resistor (0.1 Meg. Ohm) 7-10	143321	Diode (320D) 7-15
3646	Washer, Lock 7-3,7-5,7-7,7-13, 7-16,7-19	118723	Resistor (1,000 Ohm) 7-17	143325	Regulator 7-15
5599	Nut (8-32 Hex) 7-22	118724	Resistor (220 Ohm) 7-8	143326	Bracket 7-15
5816	Washer, Insulating 7-6	119223	Screw (4-40 x 1-15/32 Fil) 7-2	144512	Fuse (1 Amp) 7-2
6033	Washer, Lock 7-22	120214	Resistor (6,800 Ohm) 7-17	144518	Cable Assembly 7-2
6345	Nut (6-32 Hex) 7-21	121021	Screw (8-32 x 1/2 Hex) 7-16, 7-22	144603	Cable Assembly (H) 7-12
7002	Washer, Flat 7-2,7-6,7-17,7-20 to 7-22	121243	Clamp, Cable (3/16" ID) 7-2, 7-14,7-21,7-27	144604	Cable Assembly (Z) 7-12
34432	Washer, Flat 7-18,7-19	121244	Clamp, Cable (1/4" ID) 7-20	144605	Cable Assembly (E) 7-8
35551	Screw (10-32 x 3/8 Flat) 7-3	121245	Clamp, Cable (5/16" ID) 7-14	144613	Bell Assembly, Signal 7-2
42827	Screw (3-48 x 1/4 Fil) 7-3	121246	Clamp, Cable (3/8" ID) 7-2,7-15	144615	Cable Assembly (S) 7-2
44048	Washer, Flat 7-26	121247	Clamp, Cable (7/16" ID) 7-2,7-4, 7-6	144629	Plate, Adapter 7-2
45944	Screw (8-32 x 5/8 Rd) 7-18,7-19	121248	Clamp, Cable (1/2" ID) 7-2	144979	Relay (AJ15) 7-7
49514	Nut (8-32 Hex) 7-18,7-19	121249	Clamp, Cable (5/8" ID) 7-2,7-4, 7-6,7-8,7-10,7-12	145000	Panel Assembly 7-2
55219	Screw (8-32 x 3/8 Fil) 7-20,7-26, 7-27	121536	Terminal 7-21	145001	Cable Assembly (V) 7-2
61085	Washer, Lock 7-2,7-3,7-5,7-8, 7-11	124566	Clamp 7-15	145002	Relay (AF129) 7-5,7-9,7-11,7-13
70073	Nut (3-48 Hex) 7-5,7-8,7-11	125100	Washer, Flat 7-25,7-27	145003	Relay (AF54) 7-5,7-7,7-11,7-13
70314	Washer, Flat 7-16	125157	Screw (8-32 x 7/8 Fil) 7-5,7-7	145004	Relay (AF83) 7-7
70593	Screw, Thumb (6-40) 7-20	125170	Screw (8-32 x 5/16 Fil) 7-3	145005	Switch, Stepping (25 Pt) 7-6
70886	Washer, Flat 7-16	125186	Screw (8-32 x 3/4 Fil) 7-18,7-19	145006	Switch, Stepping (10 Pt) 7-7
70887	Nut (10-24 Hex) 7-15	125206	Screw (6-32 x 5/8 Fil) 7-8	145007	Diode (1N1692) 7-4,7-6,7-8,7-10, 7-12
72655	Screw (8-32 x 1/2 Hex) 7-4,7-25, 7-27	125218	Nut (1/4-32 Hex) 7-16	145008	Relay (AF507) 7-5,7-9,7-13
75750	Washer, Insulating 7-17,7-26	125231	Nut (10-32 Hex) 7-15	145009	Relay (AF64) 7-5
77902	Screw (6-40 x 2-3/8 Rd) 7-17, 7-26	125237	Spring 7-22	145011	Cable Assembly (N) 7-2
79152	Lamp (48 Volt) 7-3	126986	Screw (1/4-32 x 19/32 Hex) 7-16	145017	Rectifier (48 Volt D.C.) 7-14
81836	Washer, Flat 7-22	128896	Switch, Toggle 7-5	145019	Switch, Wafer 7-3
82474	Terminal 7-26	129382	Grommet, Rubber 7-4	145020	Resistor (700 Ohm) 7-6
83497	Washer, Flat 7-16	129854	Resistor (10,000 Ohm) 7-10	145022	Relay (AG22) 7-9
84990	Screw (6-40 x 1/4 Flat) 7-22	131099	Terminal 7-22	145025	Cable Assembly (R) 7-2
86742	Nut (4-40 Hex) 7-11	131228	Washer, Insulating 7-21	145027	Switch, Stepping (10 Pt) 7-5
86835	Spring 7-26	138535	Holder, Fuse 7-15	145028	Switch, Stepping (25 Pt) 7-12
90789	Washer, Flat 7-21	138545	Cap, Insulator 7-15	145029	Buzzer 7-3
92309	Resistor (400 Ohm) 7-6	138548	Connector, Card 7-15	145030	Cable Assembly (U) 7-2
92748	Screw (6-40 x 1-7/16 Fil) 7-6	139075	Screw (8-32 x 1/4 Fil) 7-15	145031	Plate, Designation 7-3
93959	Key 7-3	142269	Fuse (3 Amp) 7-2	145033	Resistor (500 Ohm) 7-4
93969	Screw (4-40 x 3/16 Flat) 7-4 to 7-13	142679	Washer, Flat 7-15	145034	Resistor (3.3K Ohm) 7-10
98726	Screw (3-48 x 1/4 Fil) 7-2	142683	Washer, Flat 7-15	145035	Capacitor (.001 Mfd) 7-10
98819	Knob 7-3	142686	Nut (8-32 Hex) 7-15	145036	Board, Terminal 7-13
103782	Screw, Drive (2 x 1/8") 7-23	143291	Screw (1/4-20 x 5/8 Hex) 7-15	145037	Plate, Adapter 7-2
104701	Screw (4-40 x 9/32 Fil) 7-17	143292	Clamp, Tube 7-15	145047	Connector, Receptacle (3 Pt) 7-15
104807	Washer, Flat 7-2	143293	Screw (6-32 x 1/2 Fil) 7-15	145048	Resistor (510 Ohm) 7-6
107398	Terminal 7-20	143294	Screw (8-32 x 3/8 Flat) 7-15	145049	Resistor (200 Ohm) 7-6
		143295	Screw (4-40 x 1/4 Rd) 7-15	145050	Panel Assembly 7-4,7-5
		143297	Nut (6-32 Hex) 7-15	145051	Resistor (300 Ohm) 7-6
		143299	Nut (1/4-20 Hex) 7-15	145052	Capacitor (1 Mfd) 7-12
		143300	Washer, Lock 7-15	145057	Cable Assembly (K) 7-14
		143301	Washer, Lock 7-15	145059	Panel, Plastic 7-3
		143302	Washer, Lock 7-15	145060	Panel, Rubber 7-3
		143303	Washer, Lock 7-15	145066	Cable Assembly (A.C.) 7-14
				145070	Shield 7-3
				145083	Plate Assembly 7-6
				145084	Plate Assembly 7-9
				145085	Plate Assembly 7-5
				145086	Plate Assembly 7-11

NUMERICAL INDEX - SECTION 7 (Continued)

Part Number	Description and Page Number	Part Number	Description and Page Number	Part Number	Description and Page Number
145087	Plate Assembly 7-12	150323	Washer, Flat 7-17	158991	Capacitor (15 Mfd) 7-18,7-19
145088	Bracket, Mounting 7-2	150543	Screw (3-48 x 13/32 Fil) 7-5,7-8,7-11	158992	Bracket, Mounting 7-18,7-19
145089	Bracket, Mounting 7-2	150652	Screw (4-40 x 37/64 Fil) 7-17	159736	Bracket 7-16
145090	Strap 7-2	150966	Insulator 7-2,7-27	159819	Connector, Plug (32 Pt) 7-26
145091	Plate, Fuse 7-2	150978	Screw (6-40 x 1-1/8 Fil) 7-5,7-22	159820	Connector, Receptacle (32 Pt) 7-26
145092	Relay (AJ) 7-5	151180	Link, Toggle 7-23	160386	Resistor (1,000 Ohm) 7-26
145093	Relay (AJ54) 7-5	121229	Washer, Spacing 7-22	160387	Modification Kit 7-16
145095	Relay (AJ5) 7-5	151335	Post (6-40) 7-27	160388	Modification Kit 7-16
145096	Cable Assembly (W) 7-2	151413	Washer, Spacing 7-15	160428	Modification Kit 7-27
145097	Cable Assembly (X) 7-2	151415	Block, Terminal 7-2,7-27	160439	Bracket 7-21,7-22,7-27
145098	Cable Assembly (Y) 7-2	151416	Nut (6-40 Hex) 7-2,7-20,7-27	160442	Cable Assembly 7-27
145100	Panel Assembly 7-6,7-7	151427	Plate, Clamp 7-21	160971	Bracket, Mounting 7-16
145102	Cable Assembly (C) 7-6	151437	Stud (1/4-20) 7-25	160972	Bracket W/Pads 7-16
145103	Cable Assembly (D) 7-6	151560	Signal Bell Assembly 7-2	160973	Bracket W/Pads 7-16
145105	Cable Assembly (FB) 7-4	151571	Cable Assembly 7-2	161222	Cover 7-20
145106	Cable Assembly (FA) 7-4	151626	Terminal 7-15,7-17 to 7-22,7-26,7-27	161223	Bracket, Relay 7-20
145107	Cable Assembly (P) 7-4	151629	Nut (6-40 Lug) 7-21	161238	Connector, Receptacle (36 Pt) 7-2,7-3
145108	Cable Assembly (Q) 7-4	151630	Screw (6-40 x 1/4 Hex) 7-2,7-4,7-6,7-8,7-10,7-12,7-21,7-22,7-26	161302	Modification Kit 7-20
145109	Cable Assembly (G) 7-10	151631	Screw (6-40 x 5/16 Hex) 7-2,7-22	161525	Connector, Plug (14 Pt) 7-21
145175	Plate, Adapter 7-14	151632	Screw (6-40 x 3/8 Hex) 7-16,7-22	161829	Modification Kit 7-25
145181	Plate, Nut (10-32) 7-14	151637	Screw (4-40 x 1/4 Fil) 7-11	161871	Relay (AJ55) 7-20
145182	Strip Assembly, Terminal 7-2	151657	Screw (6-40 x 1/4 Fil) 7-2,7-24,7-27	161872	Relay (A618) 7-17,7-20
145191	Connector, Receptacle (2 Pt) 7-15	151658	Screw (6-40 x 5/16 Fil) 7-20,7-26	161873	Resistor (5,000 Ohm) 7-20
145200	Key and Lamp Assembly 7-3	151659	Screw (6-40 x 1/2 Fil) 7-2,7-20	161874	Cable Assembly 7-20
145204	Power Supply D.C. 7-14	151687	Screw (4-40 x 7/16 Fil) 7-22	161875	Resistor (2,000 Ohm) 7-17
145211	Panel, Red Plastic 7-3	151689	Screw (4-40 x 3/4 Fil) 7-22	161958	Bracket, Mounting 7-25
145218	Cable Assembly (AA) 7-2	151692	Screw (6-40 x 3/16 Fil) 7-22	161965	Resistor (1,000 Ohm) 7-20
145221	Resistor (2.5 Meg. Ohm) 7-11	151723	Screw (10-32 x 3/8 Hex) 7-2,7-6	161967	Bracket (Right) 7-25
145225	Panel Assembly 7-8,7-9	151819	Jumper (3" Black) 7-22,7-26	161968	Bracket (Left) 7-25
145228	Cable Assembly 7-3	151820	Spring 7-23	161969	Stud (8-32 Hex) 7-25
145229	Terminal 7-8	151827	Strap, Terminal 7-26	162361	Rectifier 7-27
145243	Cable Assembly (M) 7-2	151880	Nut (4-40 Hex) 7-23	163537	Screw (4-40 x 1-1/2 Fil) 7-23
145250	Panel Assembly 7-10,7-11	151922	Clamp 7-17	164631	Cable Assembly 7-26
145256	Connector, Plug (3 Pt) 7-15	151939	Grammet, Rubber 7-2,7-20	164632	Bracket, Resistor 7-26
145349	Relay (AJ516) 7-5,7-11	152426	Nut, Self-Locking (6-40) 7-21	164633	Modification Kit 7-26
145350	Panel Assembly 7-12,7-13	152462	Latch - Right 7-26	164638	Cable Assembly, "Y" Conn. 7-26
145725	Cover, Front 7-8,7-10	152463	Latch - Left 7-26	164639	Cable Assembly, "W" Conn. 7-26
145726	Cover, Front 7-12	152464	Insulator 7-26	164640	Modification Kit 7-26
145727	Cover, Front 7-6	152893	Screw (4-40 x 1/4 Hex) 7-22	164641	Jumper (18" Black) 7-26
145728	Cover, Front 7-4	153017	Nut, Speed (12-24) 7-16,7-27	164642	Jumper (22" Black) 7-26
145730	Cover, Rear 7-9,7-11	153442	Screw (10-32 x 1/2 Hex) 7-6,7-8,7-10,7-12,7-14,7-15	164643	Jumper (33" Black) 7-26
145731	Cover, Rear 7-13	153492	Connector, Receptacle (3 Pt) 7-2	165008	Turret, Terminal 7-4,7-6,7-8,7-10,7-12,7-17
145732	Cover, Rear 7-7	153534	Washer, Flat 7-5	165015	Capacitor (4.28 Mfd) 7-11
145733	Cover, Rear 7-5	153631	Network, Spark Suppression 7-4,7-6,7-8,7-10,7-12	165027	Network, Spark Suppression 7-5,7-6,7-7,7-13
145736	Cushion, Rubber 7-5,7-7	153841	Screw (6-40 x 9/16 Hex) 7-21	165038	Tube (376C) 7-11
145739	Bracket, Tie 7-8,7-10	154042	Terminal 7-23	165051	Relay (AG24) 7-5
145740	Bracket, Tie 7-12	154043	Terminal 7-23	165053	Cushion, Rubber 7-7,7-13
145741	Bracket, Tie 7-6	154194	Base 7-23	165054	Cushion, Rubber 7-7,7-13
145742	Bracket, Tie 7-4	155560	Relay (General Purpose) 7-17	165060	Socket, Electron Tube 7-11
145752	Clamp, Cable 7-5	155750	Sleeve, Insulating (3/32 x 1/2" ID) 7-21	165062	Capacitor (2.00-2.50 Mfd) 7-17
145753	Bushing 7-5	155755	Sleeve, Insulating (11/64 x 5/8" ID) 7-18,7-19,7-26	165072	Resistor (9,100 Ohm) 7-17
145754	Plug, Dummy (PS) 7-2	156632	Screw (6-40 x 13/32 Hex) 7-22	165073	Diode (KS-15724) 7-17
145760	Relay (AK4) 7-11	157230	Jumper (6" Black) 7-26	165077	Connector, Plug (50 Pt) 7-17
145784	Strap Assembly, Tie 7-8 to 7-11	157231	Jumper (8" Black) 7-26	165079	Connector, Receptacle (50 Pt) 7-17
145785	Strap Assembly, Tie 7-12,7-13	157232	Jumper (9-1/4" Black) 7-22	165102	Screw, Special (12-24) 7-14
145786	Strap Assembly, Tie 7-6,7-7	158250	Block, Terminal 7-20	165103	Screw (12-24 x 5/8 Rd) 7-17
145787	Strap Assembly, Tie 7-4,7-5	158252	Insulator 7-20	165118	Socket, Lamp 7-3
145788	Bracket Assembly, Tie 7-9,7-11	158258	Connector, Plug (20 Pt) 7-26	165134	Board, Terminal 7-6,7-9,7-11,7-13
145789	Strap Assembly, Tie 7-13	158989	Capacitor (20 Mfd) 7-18	165168	Key 7-3
145790	Bracket Assembly, Tie 7-7	158990	Bracket, Mounting 7-18	165261	Screw (4-40 x 3/8 Oval) 7-3
145791	Bracket Assembly, Tie 7-5			165392	Relay (295A) 7-5
147081	Rectifier 7-15			165420	Relay (AF84) 7-17
147082	Cable Assembly (PC) 7-15			165449	Resistor (47 Ohm) 7-17,7-21
147083	Cable Assembly (J) 7-15			170271	Modification Kit 7-17
147084	Cable Assembly (H) 7-15			170288	Resistor (3,500 Ohm) 7-17
147085	Plate, Upper 7-15				
147086	Plate, Nut (10-32) 7-15				
147087	Bracket, Lower 7-15				

NUMERICAL INDEX - SECTION 7 (Continued)

Part Number	Description and Page Number	Part Number	Description and Page Number	Part Number	Description and Page Number
170313	Plate, Mounting 7-17	178860	Capacitor (.022 Mfd) 7-22	192720	Diode (39Z5) 7-22
170314	Resistor (3,900 Ohm) 7-17	178868	Resistor (700 Ohm) 7-21	192721	Diode (45Z5) 7-22
170316	Relay (AG20) 7-17	178886	Cable Assembly 7-21	192723	Resistor (100 Ohm) 7-22
170317	Coil, Choke 7-17	178887	Cable Assembly 7-21	192725	Resistor (800 Ohm) 7-22
170319	Connector, Plug (24 Pt) 7-17	178888	Clip 7-21	192726	Block 7-22
170573	Modification Kit 7-24	179139	Relay Assembly, Auxiliary Reperforator Line 7-27	192727	Clamp 7-22
171461	Capacitor (900 Mfd) 7-24	179260	Cover 7-21	192730	Driver Assembly, Selector Magnet 7-22
171462	Resistor (450 Ohm) 7-24	179484	Screw (12-24 x 25/64 Pan Head) 7-27	192731	Card, Circuit (S.M.D.) 7-22
171463	Resistor (1 Ohm) 7-24	179560	Driver Assembly, Selector Magnet 7-21	192736	Cable Assembly 7-22
171501	Relay (AK4) 7-17	179561	Cable Assembly 7-21	192737	Bracket, Resistor 7-22
171531	Resistor (3,000 Ohm) 7-17	179562	Card, Circuit 7-21	192740	Keyer Assembly, Low Level 7-22
171541	Diode (IN1693) 7-21	179610	Modification Kit 7-22,7-23	192741	Board Assembly, Terminal 7-22
171555	Connector, Receptacle (50 Pt) 7-2, 7-5,7-9,7-11	179611	Modification Kit 7-22,7-23	192744	Cable Assembly 7-22
171609	Diode (320-8) 7-24	179634	Bracket, Connector Mounting 7-22	192745	Terminal Board Assembly 7-22
171610	Transformer (115 Volt) 7-24	179635	Cable Assembly 7-22	192747	Spacer 7-22
171644	Fuse (1-1/2 Amp) 7-24	179636	Bracket, Connector Mounting 7-22	192751	Card, Circuit (Rectifier) 7-22
171650	Connector, Plug (6 Pt) 7-24	179637	Cable Assembly (37") 7-22	192756	Cable Assembly 7-22
173689	Bracket W/Bushings 7-26	179638	Cable Assembly (26") 7-22	192767	Transistor (2N1484) 7-22
173706	Modification Kit 7-18	179640	Plate, Name 7-23	192970	Post (6-40) 7-22
173707	Modification Kit 7-19	179643	Network Assembly, Filter 7-23	192974	Washer, Fiber 7-22
173708	Cover 7-19	179748	Connector, Male (5 Pt) 7-22	192975	Cover 7-22
173709	Cable Assembly 7-18	179749	Connector, Female (5 Pt) 7-22	192976	Cover 7-22
173786	Plate, Mounting 7-18	179793	Cable Assembly 7-22	192979	Stud (10-32) 7-22
173787	Plate, Mounting 7-19	179794	Cable Assembly 7-22	192980	Terminal 7-22
176393	Cable Assembly 7-21	179796	Chassis 7-22	192984	Socket, Transistor 7-22
177010	Driver Assembly, Selector Magnet 7-21	179797	Cover, Contact Box 7-23	194048	Screw (4-40 x 11/32 Fil) 7-23
177015	Modification Kit 7-21	179800	Toggle 7-23	194490	Modification Kit 7-17
178363	Post (6-40) 7-21	179812	Bracket, Mounting 7-22	195241	Screw, Contact (4-40) 7-23
178601	Driver Assembly, Selector Magnet 7-21	179813	Disipator, Heat 7-22	195262	Cover 7-22
178602	Cable Assembly, Selector Magnet Driver 7-21	192710	Cover Assembly 7-22	195272	Screw, Special (6-40) 7-22
178840	Capacitor (400 Mfd) 7-21	192713	Capacitor (1 Mfd) 7-22	195273	Bushing 7-22
178841	Transformer 7-21	192714	Choke 7-22	195526	Board W/Terminal 7-21
178843	Plate, Mounting 7-21	192715	Transformer (117 Volt) 7-22	195527	Jumper (12" Slate) 7-21
178859	Card, Circuit 7-21	192719	Bushing, Shoulder 7-22	195528	Modification Kit 7-21
				195648	Strap (1-3/4") 7-22

SECTION 8

KEYBOARD WITH PERFORATOR COVER (LBPC)

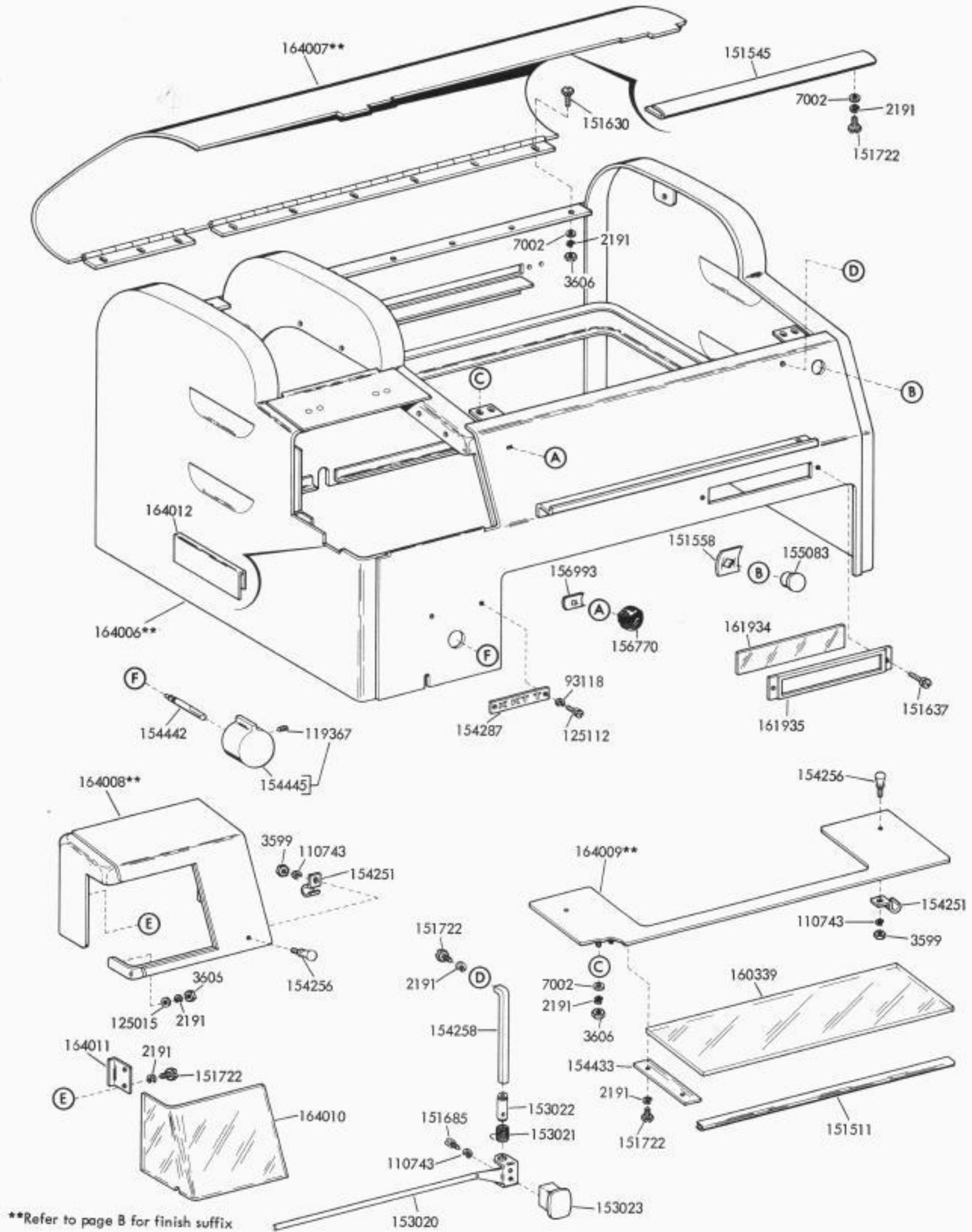
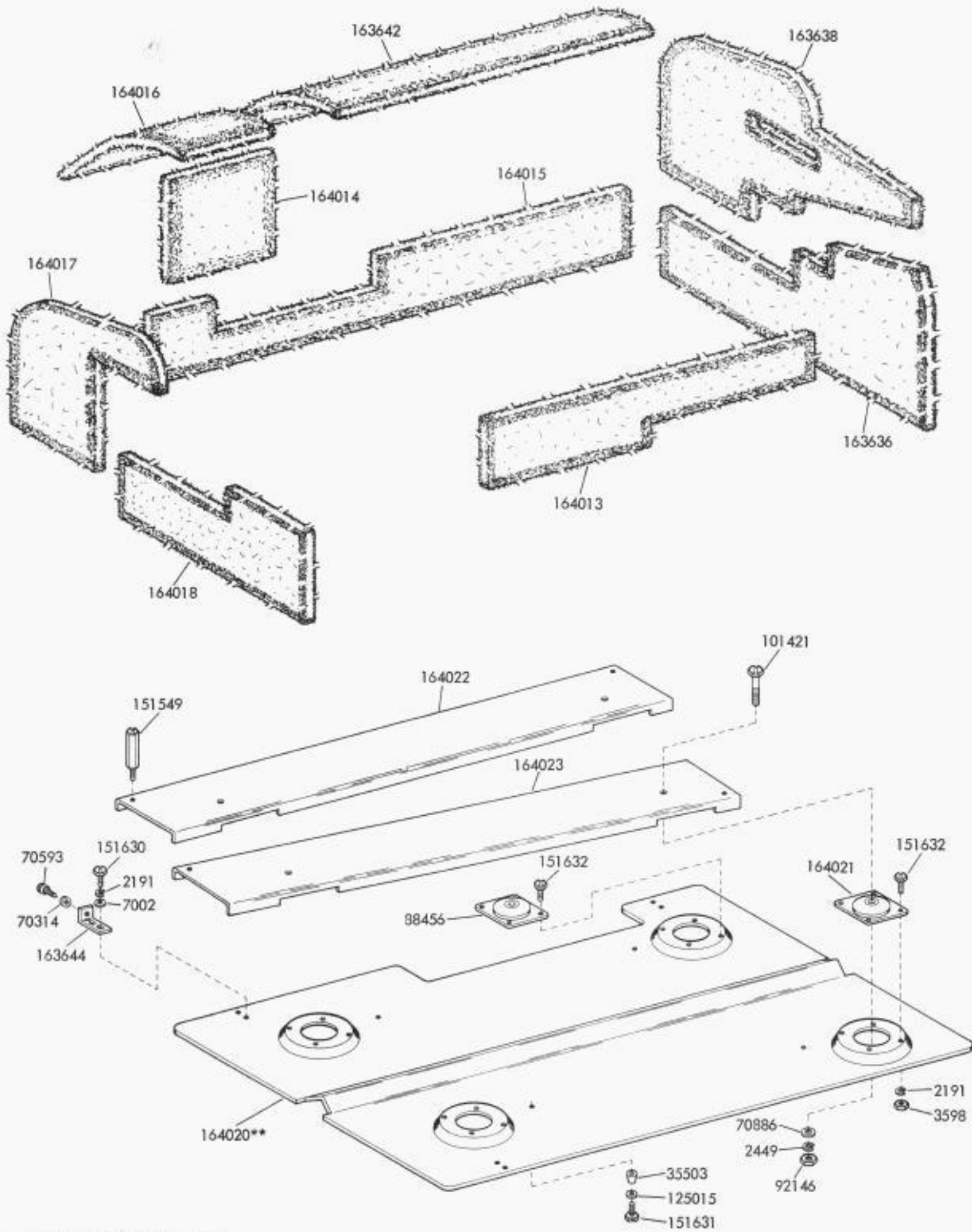


FIGURE 8-1. SKINTIGHT COVER FOR KEYBOARD WITH PERFORATOR (LBPC200**)



**Refer to page B for finish suffix

FIGURE 8-3. FELT PADS AND BASE PLATE (LBPC200**)

NUMERICAL INDEX - SECTION 8

Part Number	Description and Page Number	Part Number	Description and Page Number	Part Number	Description and Page Number
2191	Washer, Lock 8-2 to 8-4	151540	Lampholder 8-3	156770	Plate, Identification 8-2
2449	Washer, Lock 8-4	151545	Guide, Paper 8-2	156993	Nut, Speed 8-2
2669	Washer, Lock 8-3	151549	Screw, Special (1/4-32) 8-4	157287	Cable Assembly, Copyright 8-3
3598	Nut (6-40 Hex) 8-3,8-4	151558	Nut, Speed 8-2	158286	Transformer (117 Volt) 8-3
3599	Nut (4-40 Hex) 8-2	151630	Screw (6-40 x 1/4 Hex) 8-2 to 8-4	160339	Window (3-1/4 x 11-5/16) 8-2
3606	Nut (6-40 Hex) 8-2,8-3	151631	Screw (6-40 x 5/16 Hex) 8-3,8-4	161934	Window (15/16 x 4-13/16) 8-2
6345	Nut (6-32 Hex) 8-3	151632	Screw (6-40 x 3/8 Hex) 8-4	161935	Frame, Window 8-2
7002	Washer, Flat 8-2 to 8-4	151637	Screw (4-40 x 1/4 Fil) 8-2	163636	Pad, Lower Right and Left Side 8-4
35503	Foot, Rubber 8-4	151685	Screw (4-40 x 5/16 Fil) 8-2	163638	Pad, Upper Right Side 8-4
70314	Washer, Flat 8-4	151722	Screw (6-40 x 3/16 Hex) 8-2,8-3	163642	Pad, Lid 8-4
70593	Screw, Thumb (6-40) 8-4	151827	Strap 8-3	163644	Bracket 8-4
70886	Washer, Flat 8-4	151982	Lamp (6 Volt) 8-3	164006**	Cover 8-2
74807	Nut (10-32 Hex) 8-3	151983	Shield, Light 8-3	164007**	Door, Rear 8-2
82474	Terminal 8-3	152797**	Plate, Retaining 8-3	164008**	Door, Left Front 8-2
88456	Mount, Vibration 8-4	153020	Guide, Line 8-2	164009**	Door, Right Front 8-2
92146	Nut (1/4-20 Hex) 8-4	153021	Spring 8-2	164010	Window, L Shape 8-2
93118	Washer, Lock 8-2	153022	Bushing 8-2	164011	Plate 8-2
101421	Screw (1/4-20 x 1-1/4 Hex) 8-4	153023	Handle 8-2	164012	Clip 8-2
102751	Nut (10-32 Hex) 8-3	153487	Cable Assembly, Margin Indicator 8-3	164013	Pad, Front 8-4
110743	Washer, Lock 8-2	154156	Grommet, Rubber 8-3	164014	Pad, Upper Left Rear 8-4
111017	Screw (6-40 x 5/16 Fil) 8-3	154251	Latch 8-2	164015	Pad, Lower Rear 8-4
119367	Screw, Set (8-32 Hex) 8-2	154256	Screw, Thumb (4-40) 8-2	164016	Pad, Left Door 8-4
121244	Clamp, Cable (1/4" ID) 8-3	154258	Shaft 8-2	164017	Pad, Upper Left Side 8-4
125015	Washer, Flat 8-2 to 8-4	154287	Plate, Designation 8-2	164018	Pad, Lower Left Side 8-4
125112	Screw (2-56 x 1/8 Fil) 8-2	154329	Arm Assembly, Stop 8-3	164019	Cable Assembly 8-3
151335	Stud (6-40) 8-3	154415	Spring, Torsion 8-3	164020**	Base, Plate 8-4
151411	Block, Terminal 8-3	154433	Clamp 8-2	164021	Mount, Vibration 8-4
151412	Insulator 8-3	154442	Shaft 8-2	164022	Rail, Base - Rear 8-4
151416	Nut (6-40 Hex) 8-3	154445	Knob 8-2	164023	Rail, Base - Front 8-4
151442	Screw (6-40 x 1/2 Hex) 8-3	155083	Lens (Red) 8-2	164384	Cable Assembly W/Transformer 8-3
151511	Gasket (11-5/16") 8-2	156632	Screw (6-40 x 13/32 Hex) 8-3	174082	Guide W/Roller, Tape 8-3
151532**	Cover, Form Slot 8-3			179993	Screw, Shoulder (10-32) 8-3
151534	Screw, Shoulder (10-32) 8-3				

SECTION 9
MASTER NUMERICAL INDEX

MASTER NUMERICAL INDEX

Part Number	Page	Part Number	Page	Part Number	Page	Part Number	Page
169M	6-16	3649	4-8, 5-32	49084	2-24	76834	3-7, 3-8, 5-22
194M	1-36	3650	1-42, 2-22	49420	1-7, 1-12, 1-13, 1-33	76964	1-34
224M	1-42, 2-22	3870	1-2, 1-16, 2-20, 4-13,	49514	5-32, 6-31, 6-32,	76983	6-16
247M	5-10, 6-6		6-6		7-18, 7-19	77039	1-7
252M	1-32, 6-6	3899	6-16	49644	5-6	77902	See Section Index.
257M	4-13	4326	5-6, 5-7	55063	1-12, 2-9, 2-21, 4-13	77920	1-38
263M	1-32	4702	1-16	55219	5-10, 6-15, 6-27,	77999	1-3
266M	1-39	4703	5-10		7-20, 7-26, 7-27	78469	5-25
1020	1-18, 6-21	4705	1-33	55669	1-23	78533	1-19, 4-11
1028	5-10, 6-5, 6-13, 6-16	5363	2-10	61085	3-6, 4-5, 4-7, 4-11,	79012	6-10, 6-12, 6-35, 6-37
1036	2-10	5599	7-22		6-38, 7-2, 7-3, 7-5,	79152	7-3
1038	6-5, 6-11, 6-32, 6-39	5740	3-6		7-8, 7-11	79523	5-28
1093	6-6	5816	6-6, 7-6	70073	4-2, 4-8, 4-10, 4-17	79890	5-8
1095	1-22	6033	7-22		to 4-19, 7-5, 7-8, 7-11	79967	6-10, 6-12, 6-35,
1118	1-30	6320	3-5	70314	1-6, 1-31, 7-16, 8-4		6-37
1157	6-2, 6-31, 6-32, 7-15	6344	5-4, 5-37	70388	1-18	80342	6-29
1163	1-41, 4-3, 4-4, 4-5,	6345	3-4, 3-5, 5-25, 7-21,	70593	7-20, 8-4	80402	1-6
	4-7, 4-17		8-3	70720	5-6, 5-7, 5-31	80531	2-19
1164	1-25, 4-11	6810	5-31	70878	2-21, 2-22	80581	1-18, 1-22
1172	6-25	6827	6-5	70886	7-16, 8-4	80612	6-15
1176	5-6	6970	1-4, 1-42, 1-43, 2-6	70887	7-15	80706	4-11
1178	1-25, 1-29, 1-31,	7002	See Section Index.	71047	6-16	80755	1-27, 2-24
	1-35, 1-37, 5-31	7603	1-19, 1-22, 6-6	71073	1-31, 1-34, 1-37	80833	2-26
1181	3-6	7634	4-13	71155	6-9	80845	1-38
1210	1-23, 1-29	7835	2-18, 2-19	71437	2-11	80854	6-4, 6-6
1222	4-11	7959	6-16	71646	6-9	80945	1-42
1245	7-22	8262	6-13	71681	2-18, 2-19	81596	1-42, 1-43
1248	1-10, 6-5	8330	See Section Index.	71699	5-4, 5-6	81726	1-32, 2-26
1253	5-4, 5-9, 5-14, 5-37,	8333	5-3 to 5-5, 5-8, 5-10,	71858	1-23, 4-3, 4-4, 5-5,	81731	1-8, 2-19
	5-38		5-38		5-8	81774	1-11
1263	6-21	8449	1-19, 1-29	71999	3-2 to 3-4	81836	1-38, 6-15, 7-22
1264	5-5, 7-15	8543	5-4, 5-15	72473	1-39	82020	5-4
1274	1-9	22746	1-30, 2-13	72596	5-10, 5-18	82392	2-3
1293	1-20, 1-21, 7-23	31636	1-35	72597	5-10	82474	1-45, 5-9, 5-10, 5-16,
1297	6-36	33765	1-41, 2-21	72655	7-4, 7-25, 7-27		5-35, 6-15, 6-22, 6-38,
1298	6-35	33828	4-11	73008	1-22		7-26, 8-3
1301	6-29, 7-3	34432	1-43, 5-4, 5-6, 5-21,	73035	1-8	82516	6-5
2034	2-22, 4-3, 4-4, 4-13,		6-36, 7-18, 7-19	73175	4-8, 4-12	82547	1-7, 1-26, 1-31,
	6-6	35503	8-4	73374	1-31		1-32, 2-26
2191	See Section Index.	35551	7-3	73427	4-11	82548	1-7, 1-26, 1-27,
2199	2-13	35826	1-4, 6-34	73611	2-24		1-31, 1-32, 2-24, 2-26
2201	6-6	36318	1-19	73776	1-4	82730	5-14, 5-15, 5-36,
2254	4-7, 4-17, 7-26	36358	1-13	74014	1-2, 1-43		5-37, 5-41
2263	3-2, 3-3	41382	2-10	74479	5-10	82860	1-8
2407	2-13	41385	1-23	74553	2-13	82870	6-13
2415	1-12, 1-13, 1-29	41543	2-2, 2-4	74594	5-3	82988	1-39
2422	1-23, 6-25	41663	5-5	74614	6-5	83408	1-31
2449	See Section Index.	41668	4-2, 4-8, 4-10, 4-19	74615	6-5, 6-23	83497	7-16
2481	1-30, 1-32, 2-24,	41675	1-23	74702	4-11	83814	1-24
	5-25	41720	1-32	74727	1-26, 1-31, 2-24	83885	6-37
2539	4-8, 4-12, 5-18	41732	1-7, 1-23, 1-27, 1-32,	74728	1-7, 1-27	83913	1-32
2658	6-9		2-24, 2-26	74755	1-16	84226	2-19
2669	See Section Index.	42661	1-36, 4-11	74805	1-16, 1-42	84575	2-22, 4-11
2846	5-5, 5-8, 5-22 to	42823	1-17, 1-22, 2-7, 2-8,	74807	1-22, 4-2, 4-8, 4-10,	84579	5-4, 5-6, 5-38
	5-24, 5-26, 5-28		4-12		5-6, 5-7, 6-34, 8-3	84990	7-22
3226	5-27	42827	1-41, 7-3	74821	6-5, 6-18, 6-20	85198	5-5
3292	5-3, 5-6	43954	5-10	74882	6-6	85422	2-6
3354	7-7, 7-13	44048	1-38, 6-6, 6-10, 6-12,	74952	1-39	85823	2-19
3438	See Section Index.		6-27, 6-31, 6-32, 6-35,	74966	1-26	86079	2-14, 4-13
3595	6-16		6-37, 7-26	74980	6-15	86283	2-18
3598	See Section Index.	45024	1-41, 2-25	75435	1-39	86304	1-20, 1-21, 2-21
3599	See Section Index.	45026	4-17, 4-18	75750	See Section Index.	86506	2-2
3603	2-2, 2-4	45104	1-35	76081	1-12, 1-13, 1-30, 2-5	86714	2-19
3606	See Section Index.	45815	1-22, 1-36, 5-4, 5-5,	76099	1-16, 3-6, 5-6, 6-34	86742	1-5, 1-19, 4-3 to
3624	1-34, 3-6		5-8, 5-23	76279	4-3, 4-4, 5-8, 5-27		4-7, 4-17, 6-29, 7-11
3639	See Section Index.	45944	7-18, 7-19	76379	1-3	86772	1-13
3640	See Section Index.	47024	2-14	76422	1-34, 1-37	86774	1-2, 1-3, 2-14,
3646	See Section Index.	49056	4-5, 4-6, 4-7	76461	6-18, 6-20		2-25

MASTER NUMERICAL INDEX (Continued)

Part Number	Page	Part Number	Page	Part Number	Page	Part Number	Page
86835	1-2, 4-2, 4-7, 4-8, 4-10, 4-17, 4-20, 7-26	96264R	3-2, 3-3	110879	2-12, 2-15, 2-20	118720	6-19, 7-10
86850	4-3, 4-4	96646	1-33	111017	See Section Index.	118723	7-17
86959	1-32	97143	5-16, 6-32	111062	3-4	118724	7-8
87334	3-2, 3-3	97266	2-26	111343	1-15	118726	6-10
87398	1-36	97393	1-30, 1-43	111345	5-6	119045	6-4, 6-18, 6-20, 6-32
87401	2-2, 2-5	97516	2-19	111346	5-6	119121	6-36
88456	8-4	98142	6-29	111409	5-25	119218	6-15
88891	1-32	98237	5-14, 5-38	111647	6-31	119223	3-3, 7-2
89548	6-5	98642	3-4, 5-5, 5-23, 5-28	111767	1-19	119367	5-3, 5-4, 8-2
89969	1-39	98712	3-5	111777	1-31, 1-39	119467	5-31
90052	2-17	98718	6-11, 6-32, 6-39	112080	5-15	119639**	5-3
90361	2-11	98726	1-3, 4-5, 4-7, 4-11, 6-38, 7-2	112091	4-13	119641**	5-3
90535	2-15, 2-16	98730	1-31	112127	1-26, 1-31	119647	2-10
90560	2-21, 5-29	98819	7-3	112128	1-26, 1-31	119648	1-3, 1-14, 1-18, 1-34, 1-39, 2-9, 2-10, 2-21, 2-22, 4-11
90573	1-22, 1-36, 2-3, 2-4	98832	4-14	112435	6-28	119649	See Section Index.
90599	2-14, 5-23	99978	1-39, 4-11	112498	1-10	119650	1-12, 2-11, 2-18, 2-19, 2-20
90606	2-2, 2-18	100011	5-6, 5-10, 5-17	112622	4-11	119651	See Section Index.
90615	2-20	100184	5-6	112626	See Section Index.	119652	1-16, 1-30, 1-43, 2-2, 2-3, 2-5, 2-10, 2-11
90679	1-19	100657	6-26, 6-31	112627	1-29, 1-31, 1-34, 1-37, 3-6, 5-28, 6-25	119653	1-7, 1-8, 1-30, 1-42, 2-13, 2-18, 2-19, 4-13
90789	See Section Index.	100658	1-29, 5-18, 5-19	112629	1-41	119654	1-12, 1-13
90790	1-43, 2-22, 4-13	100832	5-3, 5-38, 5-39, 6-2, 6-14	112630	1-2	119655	1-5, 1-6, 1-43, 4-2 to 4-7, 4-17
90791	1-20	101123	2-14	112631	1-13	119662	1-30
90814	1-38	101386	1-35	112633	1-41	119670	6-29
90906	1-29	101421	8-4	112634	2-16	119907	5-16
90951	1-35, 2-16, 2-26, 4-14, 6-6	101633	4-15, 5-6, 5-7	112967	2-2, 2-4	119979	5-4
91120	2-10	101944	6-5	113844	5-28	120121	6-19
91228	3-6 to 3-8	102057	1-23	114119	6-32	120175	5-18, 5-19, 6-27
91229	3-6 to 3-8	102092	5-10, 5-40	114478	1-10, 5-16, 5-18, 5-19	120195	6-9
91230	3-6	102690	6-27	114589	5-5	120205	6-19
91231	3-6	102751	5-6, 8-3	114626	6-23	120208	6-37
91683	1-10, 5-9, 5-16, 5-18, 5-19, 6-4, 6-27, 6-35	102751	5-6, 8-3	114654	6-10, 6-22	120214	7-17
91684	1-10, 5-16, 5-18, 5-19	103092	5-4	114744	1-31	120421	6-29
91721	6-15	103305	4-2, 4-8, 4-10	114766	5-3	120489	1-18
91837	3-4	103387	5-4, 5-38	114858	1-31	120557	5-4, 5-38
92146	5-6, 8-4	103539	5-16	114876	1-30, 2-16, 2-26	120824	1-17
92260	2-20, 3-4, 4-11, 6-9	103782	7-23	115122	1-16, 1-19, 2-13	120870	1-18
92309	1-38, 7-6	104124	5-8	115134	2-14	121005	5-3, 5-7, 5-38
92527	5-33, 6-2, 6-31, 6-32	104213	6-22	115141	1-30	121018	5-32
92626	1-8	104564	1-6	115537	6-15	121021	6-34, 7-16, 7-22
92748	7-6	104701	1-39, 5-35, 7-17	115593	5-3, 5-4, 5-31, 5-38	121100	2-16
92761	6-36	104710	1-15	115594	See Section Index.	121125	1-32, 4-13, 6-6
92856	6-3, 6-15	104807	1-30, 1-34, 5-3, 5-29, 5-39, 6-14, 7-2	116698	1-10, 5-16	121242	1-23, 1-32, 1-34, 5-35
93073	6-15	104827	1-4	116783	5-9, 5-38, 6-4, 6-7, 6-8, 6-27, 6-31, 7-2, 7-24	121243	1-31, 1-38, 5-4, 5-9, 5-35, 5-38, 6-17, 6-31, 7-2, 7-14, 7-21, 7-27
93108	2-2, 2-4, 5-23	104991	1-34	117366	4-2, 4-8, 4-10, 4-17, 6-37	121244	1-2, 1-14, 4-2, 4-15, 5-30, 5-35, 7-20, 8-3
93117	1-23, 1-25, 1-29, 1-31, 1-34, 1-37, 1-41	105028	4-13	117416	1-16	121245	2-23, 4-2, 5-21, 5-22, 5-35, 6-2, 6-6, 6-29, 7-14
93118	4-11, 5-31, 8-2	105029	5-8	117535	1-4, 1-5, 4-2, 5-4, 5-8 to 5-10, 5-14, 5-21, 5-38, 6-34	121246	1-2, 1-31, 5-4, 5-9, 5-35, 6-20, 7-2, 7-15
93135	1-38	106047	5-27	117541	1-22	121247	1-31, 1-38, 1-39, 5-9, 5-16, 5-35, 6-2, 6-29, 6-32, 7-2, 7-4, 7-6
93136	5-16	107116	5-3, 5-6, 5-9, 5-10, 6-29	117608	1-9		
93160	1-5, 5-5	107398	3-7, 3-8, 4-10, 4-17, 6-3, 6-20, 6-23, 6-28, 6-30, 6-32, 6-37, 6-38, 7-20	117730	7-10		
93191	1-10	108355	5-22 to 5-24, 5-26, 5-28	118154	7-17		
93356	2-2, 2-5, 2-10, 4-13	108370	1-18	118172	7-10		
93507	1-31	108809	5-8	118193	7-17		
93711	6-31	108943	2-26	118196	6-19		
93758	1-8	108959	7-4	118206	7-17		
93959	6-29, 7-3	109356	1-6	118211	1-10		
93969	7-4 to 7-13	110126	5-22, 7-25, 7-26	118511	7-2		
94540	1-5, 1-44, 4-2 to 4-8, 4-10	110434	2-2, 2-5, 5-10, 6-10	118575	6-32		
94660	5-33	110435	1-29, 3-7, 3-8, 4-14, 5-10, 5-22, 6-6, 6-29	118578	6-28		
95009	6-11	110437	1-12, 2-16	118589	6-35		
95063	5-22, 6-28, 6-29	110743	See Section Index.	118609	7-24		
95378	2-20			118659	1-10, 5-35, 6-4, 6-31		
96212BK	1-24						
96257BK	3-6						

MASTER NUMERICAL INDEX (Continued)

Part Number	Page	Part Number	Page	Part Number	Page	Part Number	Page
121248	5-5, 5-35, 7-2	125215	1-42	143303	7-15	144733	1-25
121249	5-35, 6-2, 6-3, 6-34, 7-2, 7-4, 7-6, 7-8, 7-10, 7-12	125218	5-5, 5-8, 7-16	143304	7-15	144734	1-25
121250	5-35, 6-2	125224	5-27	143306	7-15	144735	1-25
121251	5-35	125231	2-3, 5-5, 5-6, 5-8, 5-32, 7-15	143307	7-15	144736	1-25
121416	5-15	125237	7-22	143308	7-15	144737	1-25
121418	5-15	125241	1-22	143309	7-15	144738	1-25
121473	1-31, 1-37	125247	1-34	143310	7-15	144739	1-25
121533	6-28	125250	1-18	143311	7-15	144740	1-25
121536	7-21	125253	1-13	143312	7-15	144741	1-10, 1-45
121539	3-7, 3-8	125306	6-16	143313	7-15	144743	1-9
121551	2-25	125390	6-6, 6-34, 6-37	143314	7-15	144744	1-26
121575	5-3	125802	2-19, 4-11, 5-22	143315	7-15	144745	1-12
122149	2-21	126986	7-16	143317	7-15	144749	1-6
122200	3-4	128271	1-30	143319	7-15	144750	1-3
122201	3-2 to 3-4	128357	2-11, 2-16, 5-3	143320	7-15	144753	1-6
122202	3-4	128874	3-2	143321	7-15	144754	1-3
122204	3-4	128896	7-5	143325	7-15	144755	1-6
122205	3-4	129098	6-21	143326	7-15	144756	1-6
122206	3-4	129382	7-4	144512	7-2	144759	1-4
122207	2-6, 3-4	129661	4-15	144518	7-2	144760	1-4
122208	3-4	129854	7-10	144590	1-10	144761	1-4
122211	3-2 to 3-4	129916	6-19	144603	7-12	144763	1-3
122220	3-2 to 3-4	129919	5-9	144604	7-12	144764	1-3
122229	3-2, 3-3	130092	4-11	144605	7-8	144767	1-4
122233	3-4	130330	2-14	144606	6-28	144769	1-4
122245	3-2	130683	1-23, 5-19	144607	6-28	144770	1-4
122249	3-2	130696	2-15	144608	6-28	144771	1-26
122251	3-2	131016	2-14	144610	6-29	144772	1-26
122252	3-2, 3-3	131099	1-45, 7-22	144613	7-2	144774	1-12
122253	3-4	131228	7-21	144614	5-5	144777	5-5
122476	5-4, 5-16, 5-21	135716	2-2, 2-5	144615	7-2	144779	5-22
123146	6-18	135901	2-13	144616	6-5	144799	5-22
123769	3-2, 3-3	137602	6-10	144617	6-5	144871	1-3
123823	1-31	138034	4-11	144618	6-5	144937**	5-7
123969	5-4, 5-38	138191	6-5	144619	6-5, 6-29	144938	5-5
124177	1-30, 2-3, 2-4, 2-9, 2-20	138535	7-15	144620	6-5	144939**	5-5
124220	1-31, 1-39	138545	7-15	144621	6-5	144950**	5-7
124244	1-3	138548	7-15	144622	6-29	144953**	5-7
124566	7-15	139075	7-15	144624	6-29	144958**	5-7
124681	1-42	139153	1-2	144625	6-29	144960	6-29
124741	5-21, 5-22	139158	5-9, 5-38, 6-27	144626	6-27	144962	6-29
124761	1-31	139159	5-21	144629	7-2	144963	6-29
124999	5-28, 5-31	139175	5-4	144630	6-29	144979	7-7
125004	5-21	139335	6-27	144631	6-29	144990	1-12
125010	6-31	139552	1-31	144633	6-29	144991	1-3
125011	See Section Index.	139564	6-11	144634	6-29	144992	1-6
125014	5-4, 5-27, 5-38	139565	6-11	144701	1-10	144995	1-45
125015	See Section Index.	139692	6-5	144702	1-10, 1-45	144996	1-10
125100	7-25, 7-27	139697	2-7, 3-7, 3-8	144703	1-10	144997	1-27
125108	6-37	139752	1-30, 2-2	144708	1-17, 1-26	145000	7-2
125112	1-26, 1-31, 1-41, 6-16, 8-2	139777	6-13	144709	1-17	145001	7-2
125126	1-20, 1-21	142269	7-2	144710	1-26	145002	7-5, 7-9, 7-11, 7-13
125137	5-8	142379	1-42, 1-43	144711	1-26	145003	7-5, 7-7, 7-11, 7-13
125139	5-35	142623	1-28	144712	1-26	145004	7-7
125143	3-4	142679	7-15	144715	1-3	145005	7-6
125157	7-5, 7-7	142683	7-15	144718	1-25	145006	7-7
125170	5-33, 6-10 to 6-12, 6-32, 6-35, 6-37, 6-39, 7-3	142686	7-15	144719	1-25	145007	7-4, 7-6, 7-8, 7-10, 7-12
125181	1-33	143291	7-15	144720	1-25	145008	7-5, 7-9, 7-13
125183	6-3	143292	7-15	144721	1-25	145009	7-5
125186	6-2, 7-18, 7-19	143293	7-15	144722	1-25	145011	7-2
125200	6-34	143294	7-15	144723	1-25	145017	7-14
125206	7-8	143295	7-15	144724	1-25	145019	7-3
		143297	7-15	144725	1-25	145020	7-6
		143299	7-15	144726	1-25	145021	6-29
		143300	7-15	144729	1-25	145022	7-9
		143301	7-15	144730	1-25	145025	7-2
		143302	7-15	144731	1-25	145027	7-5
				144732	1-25		

MASTER NUMERICAL INDEX (Continued)

Part Number	Page	Part Number	Page	Part Number	Page	Part Number	Page
145028	7-12	145227	6-28	146311**	5-22	150868	3-5
145029	7-3	145228	7-3	146312	5-22	150869	3-5
145030	7-2	145229	7-8	146315	5-22	150872	3-5
145031	7-3	145243	7-2	146318**	5-22	150873	3-4
145033	7-4	145250	7-10, 7-11	146438	1-26	150877	3-5
145034	7-10	145256	6-28, 7-15	146551	6-21	150879	3-5
145035	7-10	145264	6-28	146556	5-22	150880	3-4
145036	7-13	145270	6-29	146557	5-22	150881	3-4
145037	7-2	145280	6-29	146558	5-22	150882	3-4
145038	5-5	145298	6-29	146560	5-22	150884	3-4
145039	5-5	145307	1-3	146561	5-22	150885	3-4
145040	6-27	145313	1-43	146562	5-22	150886	3-4
145047	6-28, 7-15	145349	7-5, 7-11	146563	5-22	150923	1-3, 1-18, 1-19, 2-11
145048	7-6	145350	7-12, 7-13	146570	5-22	150932	1-8
145049	7-6	145365	1-43	146572	6-21	150948	6-2
145050	7-4, 7-5	145366	1-43	146573	6-21	150949	6-2
145051	7-6	145367	1-43	146574	6-21	150950	6-2
145052	7-12	145368	1-42, 1-43, 4-10,	146650	6-21	150952	4-3, 4-4
145053	5-5		4-12	146652	6-21	150966	1-2, 1-39, 2-6, 7-2,
145057	7-14	145370	1-43	146662	5-22		7-27
145059	7-3	145373	1-43	147033	1-10	150976	3-2, 3-3
145060	7-3	145375	1-43	147059	6-24	150978	7-5, 7-22
145065	6-28	145381	1-43	147060	6-24	150990	1-19, 2-12
145066	7-14	145383	1-43	147061	6-24	150991	1-12, 1-13, 1-16
145068	6-27	145384	1-43	147062	6-24	150992	1-29, 6-37
145070	7-3	145385	1-43	147069	1-25	150995	6-17, 6-18, 6-20
145071	6-29	145386	1-43	147070	1-25	150997	3-5
145072	6-29	145389	1-43	147071	1-25	151036	1-19
145083	7-6	145390	1-43	147081	7-15	151045	1-9
145084	7-9	145393	1-43	147082	7-15	151059	1-33
145085	7-5	145711	5-7	147083	7-15	151073	1-32, 1-41, 2-2, 2-5,
145086	7-11	145712	6-29	147084	7-15		2-11, 2-21, 2-24,
145087	7-12	145725	7-8, 7-10	147085	7-15		5-22
145088	7-2	145726	7-12	147086	7-15	151080	1-5, 1-15, 4-2 to
145089	7-2	145727	7-6	147087	7-15		4-8, 4-17
145090	7-2	145728	7-4	147127	1-10	151103	1-18, 1-22
145091	7-2	145730	7-9, 7-11	150013	1-17, 2-7, 4-12	151113	1-2
145092	7-5	145731	7-13	150014	2-8	151118	1-2
145093	7-5	145732	7-7	150026	1-17, 4-12	151126	1-4
145095	7-5	145733	7-5	150027	2-8	151146	1-2
145096	7-2	145736	7-5, 7-7	150029	1-17, 2-7, 2-8, 4-12	151152	See Section Index.
145097	7-2	145739	7-8, 7-10	150034	2-8	151171	1-20, 1-21
145098	7-2	145740	7-12	150040	See Section Index.	151180	1-20, 1-21, 7-23
145100	7-6, 7-7	145741	7-6	150043	1-17, 2-7, 2-8, 4-12	151182	1-20, 1-21
145102	7-6	145742	7-4	150044	1-17, 2-7, 2-8, 4-12	151222	2-11
145103	7-6	145748	5-5	150048	2-2, 2-5	151223	1-9
145105	7-4	145752	7-5	150089	1-37	151224	1-9, 1-26, 1-31
145106	7-4	145753	7-5	150241	1-17, 2-7, 2-8, 4-12	151228	1-4
145107	7-4	145754	7-2	150323	6-37, 7-17	151229	5-28, 7-22
145108	7-4	145760	7-11	150327	2-18, 2-19	151233	1-23
145109	7-10	145784	7-8 to 7-11	150354	1-42	151234	1-35
145175	7-14	145785	7-12, 7-13	150356	1-42, 2-2, 2-5	151235	1-35
145177	5-5	145786	7-6, 7-7	150411	1-30, 1-36	151236	1-35
145178	5-5	145787	7-4, 7-5	150432	1-39	151237	1-35
145179	5-5	145788	7-9, 7-11	150507	1-30, 2-18	151240	1-35
145181	7-14	145789	7-13	150543	7-5, 7-8, 7-11	151241	1-35
145182	7-2	145790	7-7	150652	7-17	151244	1-35
145185**	5-7	145791	7-5	150830	2-8	151245	1-35, 1-43
145190	1-32	145894	6-27	150841	2-8	151246	1-35, 2-3, 2-4, 4-8
145191	1-32, 7-15	145898**	5-22, 5-36	150845	3-5	151290	1-33
145200	7-3	146133**	5-7	150849	3-5, 6-15	151329	1-33, 1-35, 1-45
145204	7-14	146141**	5-5	150850	3-5	151335	1-2, 1-3, 1-39, 2-6,
145211	7-3	146142**	5-5	150856	3-5		5-12, 7-27, 8-3
145215	6-38	146143	5-22	150857	3-5	151346	See Section Index.
145218	7-2	146149	1-36	150858	3-5	151352	1-2
145221	7-11	146308**	5-22	150859	3-5	151354	1-23
145224	6-28	146309**	5-22	150865	3-5	151362	2-3, 2-4
145225	7-8, 7-9	146310**	5-22	150866	3-5	151376	1-11

MASTER NUMERICAL INDEX (Continued)

Part Number	Page	Part Number	Page	Part Number	Page	Part Number	Page
151389	1-11	151622	2-6, 3-2 to 3-4	151916	6-9	153002	6-2
151390	1-11	151624	1-39	151920	3-2	153017	5-5, 7-16, 7-27
151391	1-11	151626	See Section Index.	151922	3-2, 7-17	153020	5-10, 8-2
151397	1-36	151629	1-42, 2-2, 2-5, 2-11, 2-13, 2-25, 7-21	151923	3-2	153021	5-10, 5-23, 5-24, 8-2
151398	2-16	151630	See Section Index.	151924	3-2	153022	5-10, 5-23, 5-24, 8-2
151401	6-6	151631	See Section Index.	151925	3-2	153023	5-3, 5-10, 5-23, 5-24, 8-2
151402	6-6	151632	See Section Index.	151926	3-2	153027	5-10
151403	6-6	151633	1-4, 1-6, 1-43, 2-3, 2-4, 4-8	151927	3-2, 3-3	153030	3-2 to 3-4
151406	6-6	151637	See Section Index.	151939	7-2, 7-20	153031	3-4
151407	6-6	151640	2-7	151982	5-9, 8-3	153037	5-3
151408	6-6	151642	3-4	151983	8-3	153048	5-3
151409	6-6	151657	See Section Index.	151988	5-33, 5-36	153049	3-2, 3-3
151410	6-6	151658	See Section Index.	151989	5-33	153099	5-23, 5-24
151411	5-7, 6-3, 6-4, 6-19, 6-24, 6-27, 6-29, 8-3	151659	1-9, 1-11, 1-30, 3-5, 4-15, 5-15, 6-5, 6-26, 7-2, 7-20	152034	3-6	153101	3-4
151412	1-3, 6-3, 6-4, 6-19, 6-24, 6-27, 6-29, 8-3	151661	1-10, 3-4, 3-5	152035	3-6, 3-8	153102	3-4, 6-14
151413	7-15	151678	1-2	152037	3-6	153103	3-4
151414	6-6	151685	1-30, 5-3, 5-10, 5-23, 5-24, 6-19, 6-26, 6-35, 8-2	152039	3-6	153104**	5-23
151415	1-2, 1-39, 2-6, 7-2, 7-27	151686	1-34, 3-2, 3-3	152040	3-6	153106**	5-23
151416	See Section Index.	151687	1-7, 1-23, 4-3, 7-22	152044	3-6, 3-8	153107	5-23, 5-24
151418	6-27	151688	1-27, 2-24, 4-4	152045	1-2	153108	6-9
151422	6-4, 6-27, 6-31	151689	1-31, 7-22	152046	3-6 to 3-8	153113	5-23, 5-24
151426	6-25	151691	1-6	152051	1-11	153114	3-4
151427	6-5 to 6-12, 6-16 to 6-18, 6-20, 6-22 to 6-27, 6-29, 6-31, 6-32, 6-33, 6-39, 7-21	151692	See Section Index.	152058	3-6	153126	5-23, 5-24
151432	6-6	151693	4-14, 5-14, 5-15, 5-36 to 5-38, 5-41	152059	3-6 to 3-8	153130**	5-23
151437	6-3, 6-4, 6-26, 6-27, 6-29, 6-31, 7-25	151694	1-2, 1-6	152067	3-6 to 3-8	153157	6-6
151440	6-6	151700	2-15	152078	3-6	153247	1-8
151441	6-25, 6-26	151712	1-4, 2-6	152109	6-5	153248	1-8
151442	See Section Index.	151714	1-13	152110	6-5	153249	1-8
151453	3-4	151715	1-36	152124	6-5	153250	1-8
151455	3-4	151721	2-22, 4-14	152297	3-2, 3-3	153251	6-6
151511	5-6, 8-2	151722	See Section Index.	152318	1-33	153252	1-2
151512	5-3	151723	See Section Index.	152332	6-16	153266	1-8
151526	5-3	151724	1-4, 1-5, 2-6, 4-17, 4-18	152415	2-2, 2-4	153267	2-9
151532**	8-3	151725	1-4, 1-5, 1-43	152426	7-21	153273	1-8
151534	5-6, 8-3	151728	1-17, 2-7, 4-12	152462	1-2, 4-2, 4-7, 4-8, 4-10, 4-17, 4-20, 7-26	153400	1-39, 5-9, 5-10, 5-40
151540	1-39, 5-9, 5-35, 8-3	151731	1-34	152463	1-2, 4-2, 4-7, 4-8, 4-10, 4-17, 4-20, 7-26	153405	3-4
151541	6-22	151733	1-29, 1-32, 1-41, 4-14, 6-29	152464	1-2, 4-2, 4-7, 4-8, 4-10, 4-17, 4-20, 7-26	153441	4-18
151545	5-6, 5-7, 8-2	151736	2-2, 2-8	152465	6-3, 6-28, 6-38	153442	4-8, 4-15, 5-5, 5-30, 5-32, 6-34, 7-6, 7-8, 7-10, 7-12, 7-14, 7-15
151549	5-5, 5-8, 8-4	151737	1-17, 1-36, 1-42, 2-5, 2-7, 2-8, 2-19, 2-22, 2-24, 4-11, 4-12, 4-13	152466	2-23, 5-35, 6-3, 6-38	153451	6-13
151555	5-3, 5-5	151752	5-8	152467	1-45	153455	5-10
151556	5-20	151795	3-2	152495	3-5, 3-6	153456	6-3
151558	5-7, 8-2	151808	6-3, 6-15	152623	6-5	153457	6-3
151560	5-10, 7-2	151814	6-3, 6-15	152634	2-11	153459	5-11 to 5-13
151564	5-10	151818	6-2, 6-29	152750	6-3	153460	6-3
151565	5-10	151819	5-11, 6-2, 6-5, 6-6, 6-13, 6-16, 6-24, 6-29, 6-36, 6-37, 7-22, 7-26	152754	1-3	153462	6-4, 6-24, 6-27, 6-36
151567	5-10	151820	1-20, 1-21, 7-23	152755	5-11, 6-3	153464	6-5
151569	5-5, 5-8	151827	5-11, 5-37, 5-39, 6-3, 6-4, 6-24, 6-27, 6-29, 7-26, 8-3	152757	6-25, 6-26	153466	5-11
151571	5-10, 7-2	151843	1-15	152759	6-25	153475	6-5
151572	4-15, 5-5, 5-38	151879	1-35	152760	6-4, 6-24, 6-27	153476	6-13
151574	5-10	151880	See Section Index.	152761	6-3, 6-4	153477	6-7, 6-8, 6-9
151576	5-6	151885	1-35	152763	5-16	153478	6-6
151577	5-10	151886	1-35	152764	1-44	153480	6-5
151579	5-10	151888	1-35	152768	5-7	153481	6-5, 6-13
151588	5-6	151913	6-9	152797**	8-3	153482	6-5
151610	1-42, 1-43			152839	1-30	153484	5-11 to 5-13, 6-17, 6-18, 6-20
151616	6-2			152848	5-22 to 5-25, 5-28	153487	5-10, 5-34, 5-40, 8-3
151618	1-10, 5-4, 6-3, 6-4, 6-26, 6-31, 6-32			152884	6-35	153492	5-22, 7-2
151620	2-6, 3-2 to 3-4			152887	1-5, 2-17, 4-2 to 4-8, 4-17	153493	5-22
151621	2-6, 3-2 to 3-4			152893	See Section Index.	153534	1-39, 7-5
				152899**	5-28	153537	1-36, 1-39, 5-23, 5-24, 6-10
				152910**	5-28, 5-36		
				152950	6-9		
				152988	6-25		

MASTER NUMERICAL INDEX (Continued)

Part Number	Page	Part Number	Page	Part Number	Page	Part Number	Page
153538	1-2, 1-29, 1-31, 2-24	154091	1-19	154210	1-9	154415	5-6, 8-3
153539	1-29	154092	1-7	154211	1-9	154416	5-14
153631	1-38, 6-29, 7-4, 7-6, 7-8, 7-10, 7-12	154094	1-16	154212	1-9	154418	5-8
153799	1-30, 1-36, 2-24, 5-3, 5-39, 6-14	154095	1-20, 1-21	154215	1-19	154423	5-6
153817	1-20, 1-21, 1-39, 2-21	154096	1-16	154217	1-18	154424	5-6
153819	1-3, 1-41, 4-2, 4-8, 4-10, 4-19	154097	1-8	154224	1-4	154426**	5-6
153839	1-42, 2-2, 2-5, 2-11, 2-13, 2-25	154099	1-7	154225	1-20	154427	5-6
153841	1-16, 1-33, 4-11, 6-29, 7-21	154101	1-16	154226	1-20	154431**	5-6
153901**	5-25	154102	1-19	154227	1-8	154433	5-6, 5-7, 8-2
154008	1-12, 1-13	154105	1-18	154235	2-16, 2-26	154436**	5-6
154009	1-18	154106	1-2	154236	1-16	154437	5-11
154010	1-18	154107	1-8	154237	1-19	154438	5-11
154013	1-12, 1-13	154109	1-2	154238	1-15	154439	5-11
154014	1-18	154110	1-11	154239	1-15	154440	5-9, 5-34
154015	1-19	154111	1-9	154240	1-19	154442	5-4, 8-2
154016	1-12	154115	1-2	154241	1-19	154443	5-3
154018	1-18	154117	1-9	154242	2-3, 2-4	154444	5-3, 6-14
154019	1-17	154118	1-33	154245	2-26	154445	5-4, 8-2
154020	1-11	154119	1-9	154246	2-26	154446	5-11, 5-12
154021	1-9	154120	1-12, 1-13	154247	2-26	154449	5-3, 5-39, 6-14
154023	1-12	154121	1-12	154248	5-6, 5-7	154451	5-6
154025	1-19	154122	1-12	154249	5-6, 5-7	154452	5-12
154027	1-19	154123	1-12	154251	5-7, 8-2	154456**	5-3
154029	1-17	154124	1-12	154252**	5-5	154457	2-10, 5-39
154030	1-17	154125	1-12, 1-13, 1-31, 1-36	154256	5-7, 8-2	154459	5-3, 5-39, 6-14
154032	1-17	154126	1-33	154258	8-2	154462	5-3
154033	1-16	154127	1-19	154259	5-5, 5-7	154463	5-8
154034	1-16	154129	1-12	154263	5-7	154479	5-11
154036	1-18	154130	1-20	154273**	5-5	154481	5-6
154037	1-33	154131	1-20	154276	5-6	154482	5-6
154039	1-33	154132	1-8	154287	8-2	154483	5-3
154040	1-18	154133	1-8	154293**	5-5	154484	5-3
154041	1-18	154134	1-35	154294**	5-5	154485**	5-14, 5-36
154042	1-20, 1-21, 7-23	154135	1-35	154298**	5-7	154486	5-14, 5-36, 5-37, 5-39, 5-41
154043	1-20, 1-21, 7-23	154136	1-35	154301**	5-7	154487**	5-14, 5-15, 5-36
154045	1-20, 1-21	154137	1-35	154318	1-28	154490**	5-14, 5-15, 5-36
154046	1-16	154138	1-17	154319	1-28	154492	5-14, 5-15, 5-36, 5-37, 5-39, 5-41
154047	1-18	154140	1-18	154325	2-18	154496**	5-3
154051	1-19	154141	1-33	154329	8-3	154497	5-3
154053	1-16	154147	1-33	154335	2-7, 2-8	154498	5-14
154056	1-20, 1-21	154149	1-33	154337	6-6	154632	6-16
154057	1-11	154151	1-15	154351	1-12, 1-19	154636	6-16
154058	1-11	154152	1-15	154352	2-26	154651	5-33, 5-36
154059	1-7	154153	1-33	154363	5-5	154655	5-33
154065	1-8	154154	1-17	154371	5-5	154662	1-4
154066	1-7	154156	1-45, 8-3	154375	3-5	154663	1-4
154067	1-7	154163	1-17	154378	5-7	154664	6-36
154068	1-12	154164	1-16	154379	5-5	154665	6-16
154069	1-12	154165	1-20	154382	5-5	154694	1-17, 2-7, 4-12
154070	1-12	154166	1-20	154383	5-5	154695**	5-25
154071	1-12, 1-13	154173	1-45	154384	5-5	154697	5-25
154072	1-12, 1-13	154176	1-2	154385	5-5	154698	2-10
154076	1-2	154178	1-18	154386	1-19	154747	6-36
154079	1-19	154179	1-15	154395	6-16	154756	5-31, 5-36
154080	1-15	154183	1-15	154397	2-3, 2-7, 2-8	154868	5-25
154081	1-15	154184	1-15	154398	2-7, 2-8	154869**	5-23
154083	1-17	154189	1-20	154399	5-14	154870	6-36
154084	1-19	154190	1-20	154401	5-6	154873	1-45
154085	1-2	154191	1-19	154402	5-6	154874	1-45
154086	1-15	154193	1-33	154404	5-10	155023	5-18, 5-19, 6-4, 6-27, 6-28
154087	1-2	154194	1-20, 1-21, 7-23	154406	5-11, 5-12	155043	6-16
154088	1-2	154197	1-9	154407	5-6, 5-7	155045	5-9, 6-27
154089	1-19	154198	1-11	154408	5-10	155083	5-6, 5-7, 8-2
		154199	1-2	154409**	5-3	155085**	5-23
		154201	1-2	154410**	5-6	155086	5-23
		154202	1-11	154411	5-17		
		154203	1-11	154412	5-11		
		154204	1-11	154413	5-9, 6-27		

MASTER NUMERICAL INDEX (Continued)

Part Number	Page	Part Number	Page	Part Number	Page	Part Number	Page
155087	5-23	156054	2-10	156321	2-14	156869	2-13, 2-14
155558	6-12	156055	2-10	156322	2-14	156870	2-14
155559	6-12	156057	2-16	156332	2-13	156871	2-3
155560	6-12, 7-17	156058	2-11	156366	2-3, 2-4	156872	2-3
155561	6-12	156060	2-11	156369	2-14	156874	2-12, 2-15
155564	6-12	156061	2-10	156378	2-15	156875	2-15
155591	6-9	156062	2-10	156382	2-14	156876	2-3
155597	5-6	156067	2-11	156389	2-13	156877	2-3
155614	5-35	156069	2-9	156390	2-13	156884	2-11
155718	1-37, 6-36	156070	2-11	156396	2-20	156900	2-3
155723	5-35	156073	2-11	156397	2-15	156901	2-18
155750	See Section Index.	156077	2-11	156399	2-3	156905	2-13
155751	1-10, 1-33, 1-35, 1-45, 5-35, 6-37	156078	1-26	156403	2-3, 2-4	156908	2-14
155752	1-45, 4-8, 4-10, 4-11, 4-19, 5-35	156089	2-9, 2-23	156408	2-13	156909	2-14
155753	See Section Index.	156090	2-9, 2-10	156412	2-3, 2-4	156922	2-16
155754	1-39, 1-45, 4-11, 5-35	156093	2-11	156413	2-20	156924	2-15
155755	See Section Index.	156094	2-11	156414	2-18	156925	2-15
155766	5-35	156095	2-11	156419	2-18	156931	2-13
155858	6-4	156099	2-11	156421	2-18	156937	2-20
155861	5-22	156103	2-11	156426	2-18	156938	2-20
155951	1-34	156104	2-9	156427	2-18	156948	2-14
155952	1-34	156136	2-25	156428	2-18	156976	4-5, 6-35, 6-37
155953	1-34	156152	2-25	156433	2-18	156987	2-3, 2-4
155954	1-25, 1-34, 1-45	156159	2-23	156436	2-18	156988	2-3
155956	1-34	156162	2-11	156437	2-18	156989	2-3, 2-4
155957	1-34	156163	2-9	156440	2-18	156990	2-3, 2-4
155958	1-34	156165	2-2, 2-5, 2-11	156442	2-18	156993	5-14, 8-2
155959	1-34	156168	2-9	156448	1-29	156994	2-3, 2-4
155960	1-30	156169	2-11	156449	1-29	156995	2-3, 2-4
155964	1-30	156172	2-9	156451	1-29	156998	2-3, 2-4
155965	1-30	156173	2-9	156462	2-14	157101	1-37
155966	1-30	156177	2-23	156465	2-3, 2-4	157155	5-13
155967	1-30	156184	2-10	156466	2-13	157165	4-15
155968	1-30	156221	2-17	156467	2-3, 2-4, 4-8	157184	4-15
155969	1-30	156226	1-5, 1-6, 4-2 to 4-8, 4-17	156472	2-5	157215	5-4, 5-38
155990	1-30	156230	2-20	156473	2-7, 2-8	157230	6-2, 7-26
155991	1-34	156235	2-2, 2-5	156476	2-13	157231	6-2, 6-36, 7-26
155992	1-25, 1-34	156236	2-7, 2-8	156478	2-13	157232	6-2, 6-36, 7-22
155994	1-23, 1-34	156241	2-13	156484	2-20, 2-25	157252	2-19
155995	2-2, 2-4	156242	2-13	156488	2-20	157287	8-3
155996	4-9	156243	2-20	156489	2-13	157307	6-16
155997	4-9	156248	2-2, 2-5	156490	2-2, 2-5	157308	6-16
155998	4-9	156252	2-20	156492	2-12	157309	6-16
155999	4-9	156264	2-12, 2-15	156493	2-14	157310	6-16
156008	2-10	156265	2-15	156501	2-12, 2-13	157393	5-35
156009	2-11	156266	2-12, 2-15	156503	1-17	157399	5-35
156012	2-9	156267	2-2, 2-5	156509	1-18	157980	5-31
156013	2-11	156268	2-16	156515	2-19	157981	5-31
156015	2-9	156276	2-12	156516	1-18	157982	5-31
156016	2-10, 2-11	156277	2-12	156532	4-13	157984	5-31
156017	2-11	156278	2-15	156536	2-16	157985	5-31
156019	2-10	156286	2-12	156558	1-19	157992	5-35
156020	2-9	156287	2-12	156572	2-24	157993	5-35
156024	2-9, 2-10, 2-11	156288	2-15	156574	1-15	157998	6-2
156028	2-9, 2-10, 2-22, 2-23	156289	2-12	156576	2-3, 2-4	158000	1-2
156036	2-10	156290	2-12	156577	2-10	158001	1-44, 4-9
156040	2-10	156291	2-12	156588	2-13	158002	1-44, 4-9
156042	2-10	156292	2-15	156630	1-18	158003	1-44, 4-9
156043	2-11	156293	2-15	156632	1-6, 1-30, 2-22, 4-11, 7-22, 8-3	158004	1-44, 4-9
156044	2-10	156294	2-14	156644	1-20	158005	1-44, 4-9
156046	2-9	156296	2-16	156663	1-20, 1-21	158006	1-44, 4-9
156047	2-10	156300	2-16	156664	1-21	158007	1-28
156050	2-10	156306	2-13	156740	1-3, 1-31, 1-37, 1-41, 4-15, 5-21	158010	1-14
156051	2-11	156311	2-13	156768	5-21, 5-22	158011	1-22
156052	2-10	156313	2-15	156770	5-14, 8-2	158012	4-2 to 4-8, 4-17
		156316	2-16, 2-26	156835	2-13	158013	4-2, 4-8
		156318	2-2			158015	4-2
						158017	4-2

MASTER NUMERICAL INDEX (Continued)

Part Number	Page	Part Number	Page	Part Number	Page	Part Number	Page
158018	4-2, 4-8, 4-10, 4-20	158151	1-23	158279	6-25, 6-26, 6-31	158688	5-6
158019	1-30	158156	1-23	158280	6-3	158689	5-6
158021	1-30	158158	1-23	158281	1-45, 6-35	158691	5-6
158027	1-44, 4-9	158160	1-23	158282	6-38	158692	5-6
158028	1-44, 4-9	158161	1-23	158283	6-37	158693**	5-14, 5-37
158029	1-44, 4-9	158162	1-23	158284	6-26	158694	5-3, 5-39, 6-14
158031	1-30	158163	1-29, 1-45	158285	2-23	158695	5-4
158032	1-30	158164	1-23	158286	5-10, 8-3	158696	5-3, 5-39, 6-14, 6-34
158033	1-30	158169	2-4, 2-5, 2-8	158287	5-10	158697	5-4, 5-37
158036	1-30	158171	2-2, 2-4	158289	1-28	158745	1-4, 1-5, 1-6, 1-43, 2-3, 2-4, 4-2 to 4-8, 4-12, 4-17
158038	1-30	158172	2-2, 2-5	158291	6-3, 6-15	158751	4-13
158040	1-30	158177	2-8	158292	6-4, 6-29	158753	1-32
158042	1-30	158180	2-8	158293	6-3, 6-13	158754	1-32
158045	1-30	158182	2-8	158294	6-13	158757	4-13
158046	1-30	158184	2-7, 2-8	158295	6-13	158758	4-13
158047	1-30	158185	2-8	158296	6-13	158760	4-13
158050	1-30	158186	1-25, 2-8, 5-20	158299	1-14	158761	4-13
158051	1-30	158189	1-23	158554	6-21	158766	4-14
158052	1-30	158195	5-8	158588	4-14	158767	4-14
158053	1-30	158196	5-8	158601	4-5, 4-7, 6-38	158768	4-14
158054	1-30	158197	5-8	158630**	5-21	158770	4-14
158056	1-30	158198	5-8	158631**	5-21	158772	2-17
158060	1-22	158201	5-8	158634	5-21	158777	4-14
158061	1-22	158202	1-24	158635**	5-21	158778	4-11
158062	1-23	158205	1-24	158636	5-21	158779	4-11
158063	1-12	158206	1-24	158637	5-21, 5-38	158781	4-14
158064	1-2	158207	1-24	158638**	5-21	158785	4-14
158066	1-23	158208	1-24	158639	5-21	158788	4-12
158067	1-23	158210	1-24	158640	5-21	158797	4-12
158068	1-2	158212	1-2	158641**	5-21	158816	1-7
158071	1-5	158213	1-2	158642	5-21	158827	4-5, 4-7, 4-17, 4-18, 6-35, 6-38
158073	1-5	158215	1-2, 1-3, 1-30, 5-29	158643	5-21	158828	1-4
158075	1-5	158216	1-2, 6-3	158644	5-21	158850	4-12
158077	1-5	158217	1-2	158645**	5-14, 5-37	158859	1-32, 1-42
158079	1-5	158219	1-24	158646**	5-14, 5-37	158881	2-2, 2-4
158087	1-12	158222	1-45	158647	5-3	158883	4-14
158088	1-12	158224	1-45	158648	5-3, 5-37	158895	4-12
158089	1-12	158226	1-14	158649	5-6	158896	4-13
158090	1-12	158228	1-14	158651**	5-6	158925	2-9
158091	1-12	158230	1-14	158652	5-3, 5-7, 5-38	158926	4-12
158093	1-12	158231	1-14	158653	5-15	158941	2-4
158094	1-12	158233	1-28	158656	5-6	158950	2-23
158099	1-32	158239	1-29	158657	5-6	158989	7-18
158103	1-12	158241	1-28	158658	5-6	158990	7-18
158105	1-12	158244	1-45	158659	5-6	158991	7-18, 7-19
158107	1-12	158246	1-45	158660**	5-38	158992	7-18, 7-19
158113	1-22	158248	1-45	158661**	5-4	159011	2-2, 2-5
158114	1-22	158249	1-45	158662	5-4	159230	6-22
158115	1-22	158250	1-2, 1-3, 7-20	158663	5-4, 5-21, 5-38	159231	2-12
158116	1-22	158251	1-2, 1-3,	158664	5-4, 5-38	159233	4-3, 4-4
158117	1-22	158252	1-2, 1-3, 7-20	158665**	5-4, 5-38	159238	5-18, 5-19
158118	1-22	158257	2-23	158666**	5-9, 5-38	159266	6-7
158119	1-22	158258	4-2, 4-7, 4-8, 4-10, 4-17 to 4-20, 7-26	158667	5-4, 5-38	159269	6-7
158120	1-22			158669	5-4, 5-38	159270	6-7
158121	1-22	158259	4-8, 4-20, 5-35, 6-38	158670**	5-3	159278	1-44
158122	1-22	158260	5-8	158671	5-9, 5-38	159279	1-44
158123	1-22	158264	6-38	158672	5-3	159281	1-44
158135	1-22	158265	6-11	158673	5-8	159282	1-44
158136	1-22	158266	6-13	158676	5-13	159284	1-44
158137	1-22	158267	6-5	158677	5-12	159285	1-44
158139	1-22	158271	1-5, 1-6, 4-2 to 4-8, 4-17	158678	5-8	159287	1-43, 1-44
158141	1-22			158679	5-8	159318	6-11
158144	1-22	158272	6-4, 6-31	158682	5-3	159319	6-11
158145	1-22	158273	6-26, 6-31	158683**	5-14, 5-37	159320	6-10, 6-11, 6-32
158147	1-23, 1-30	158275	1-14	158684**	5-14, 5-37	159321	6-10, 6-11, 6-32, 6-39
158148	1-23	158276	1-14	158685**	5-14, 5-37		
158149	1-23	158277	1-14	158686**	5-14, 5-37		
158150	1-23	158278	6-2, 6-26, 6-29, 6-31	158687	5-8		

MASTER NUMERICAL INDEX (Continued)

Part Number	Page	Part Number	Page	Part Number	Page	Part Number	Page
159322	6-10, 6-11, 6-32	159516	2-16	159897	1-22	160336	6-37
159323	6-11, 6-16	159519	2-14	159899	1-22	160337	6-38
159324	6-11	159522	2-14	159900	2-21	160338	5-34
159326	6-5	159523	2-14, 2-15	159901	2-21	160339	5-6, 8-2
159327	1-19	159525	2-13, 2-14, 2-15	159902	2-21	160341**	5-6
159329	5-9, 5-34, 5-38	159526	2-15, 2-20	159903	2-21	160344	5-6
159330	5-34	159528	2-12	159909	2-21	160345	5-15
159334	1-19	159529	2-12	159910	2-21	160346	5-15
159336	2-23	159530	2-12	159911	2-21	160347	5-4
159338	2-24	159532	2-12	159912	2-21	160349**	5-6
159340	1-30	159533	2-15	159913	2-21	160352	5-16, 5-34
159341	4-12	159535	2-12, 2-13, 2-15, 2-16, 2-18, 2-19	159916	2-21	160354	2-7
159343	1-34			159954	2-22	160355	5-16
159363	2-21	159536	2-13	159955	2-22	160357	6-37
159365	2-9	159539	2-20	159956	2-22	160358	6-37
159379	2-23	159541	5-35	159957	2-22, 2-23	160359	6-37
159381	2-24	159543	1-28	159958	2-22	160361	6-37
159382	2-24	159544	2-2, 2-5	159959	2-22	160362	6-37
159384	5-12, 5-36	159560	2-9	159960	2-22	160363	6-37
159393	5-13, 5-36	159565	2-24	159961	2-22	160365	6-37
159394	5-13, 5-36, 5-37, 5-39	159568	1-27, 2-24	159962	2-22	160366	4-7, 4-17
159396	5-12, 5-36	159570	1-26, 1-27, 2-24	159963	2-22	160367	6-26
159404	2-15	159571	1-26, 1-27, 2-24	159965	2-22	160368	4-7
159411	2-3, 2-4	159575	2-24	159973	2-22	160369	1-10, 5-16, 5-18, 5-19, 6-38
159413	2-18	159578	2-24	159974	2-22		
159427	2-2, 2-5	159579	2-24	159975	2-22	160370	1-10, 5-16, 5-18
159430	2-2, 2-5	159580	2-24	159976	1-42, 2-22	160371	5-16
159434	2-20	159597	2-14	159977	2-22	160372	5-37, 5-39
159437	2-16	159601	2-24	159978	2-22	160373	6-38
159438	2-16	159621	2-9	159979	2-22	160374	4-4, 4-5
159441	2-2	159622	2-9	159980	2-22	160375	1-45
159447	2-16	159625	2-3, 2-4	159987	2-21	160377	1-24
159448	2-16	159626	2-20	159988	2-10	160378	6-38
159450	2-16	159641	2-26	159989	2-10	160379	6-38
159459	2-17	159642	2-12	159990	2-10	160381	5-16, 5-17
159460	2-16	159643	2-15	159994	2-20	160382	5-16
159468	2-16	159653	2-26	159995	2-20	160383	5-16
159470	2-16	159654	2-20	159997	2-20	160384	4-5, 4-7, 6-38
159471	2-16	159656	2-9	160090	1-18	160385	6-5
159472	2-2, 2-5, 2-13, 2-16, 2-17, 2-23	159658	2-13	160185	1-27, 2-24	160386	4-7, 4-17, 4-18, 5-16, 6-39, 7-26
159476	2-16	159659	2-13	160226	6-5		
159477	2-16	159734	5-6, 5-7	160227	6-5	160387	7-16
159481	2-16	159735**	5-3	160229	6-7, 6-8, 6-31	160388	7-16
159482	2-16	159736	7-16	160284	6-5	160389	6-37
159483	2-16	159739	3-3	160286**	5-14, 5-37, 5-39	160390	5-16
159487	2-16, 2-26	159743	5-6	160290**	5-14, 5-37, 5-39, 5-41	160393	1-24, 1-45
159488	2-17	159744	5-6, 5-7			160404	2-26
159489	2-17	159800	4-14	160291	5-14, 5-15, 5-36, 5-37, 5-41	160411	6-37
159490	2-13, 2-17	159804	1-41			160419	6-15
159491	2-17	159819	5-35, 6-38, 7-26	160293**	5-14, 5-37, 5-41	160420	6-15
159492	2-17	159820	6-38, 7-26	160297	5-12	160421	6-15
159493	2-17	159821	6-26	160298	3-3	160425	4-3, 4-4
159494	2-17	159836	4-3 to 4-7	160299	3-3	160428	7-27
159495	2-17	159837	4-5 to 4-7, 4-17	160300	3-3	160432	6-2,
159496	2-17	159838	4-3 to 4-7, 4-17	160301	3-3	160433	6-2
159497	2-17	159839	4-4	160302	3-3	160439	7-21, 7-22, 7-27
159498	2-17	159840	4-3, 4-5	160303	3-3	160442	7-27
159499	2-17	159843	4-5 to 4-7, 4-17	160304	3-3	160461	5-13
159500	2-17	159844	4-3	160305	3-3	160462	5-13
159501	2-17	159845	4-4	160307	6-7	160463**	5-4, 5-31
159502	2-17	159846	4-3, 4-4	160308	6-7	160466	5-31
159503	2-16	159861	2-2, 2-3, 2-12, 2-15, 2-20, 2-25	160309	6-7	160467	5-6
159504	2-17			160324	1-45	160468	5-31
159508	2-17	159873	4-5, 4-6, 4-7	160325	6-37	160469	5-4
159512	2-20	159881	2-9	160326	6-37	160470	5-31
159515	2-16	159882	4-9	160328	6-37	160483	1-45
		159883	4-9	160332	6-37	160581	2-5
		159896	2-7	160334	6-37	160583	1-7

MASTER NUMERICAL INDEX (Continued)

Part Number	Page	Part Number	Page	Part Number	Page	Part Number	Page
160626	4-11	161334	2-25	162019	5-14	162884	1-31
160627	4-11	161335	2-25	162020	5-14	162885	1-17
160628	4-11	161336	2-25	162021	5-14	162886	1-17
160630	4-11	161337	2-25	162075	1-28	162891	1-20
160631	4-11	161338	2-25	162092	2-10	162892	1-20
160663	5-4	161339	2-25	162093	2-10	162896	6-38
160664	5-6, 5-7	161340	2-25	162234**	5-38, 5-39	162898	5-17
160665**	5-6	161346	1-18	162235**	5-38, 5-39	162899	5-19
160666	2-23	161347	1-35, 2-16	162236**	5-14	163003	4-2
160667	5-6	161353	4-9	162237	5-14, 5-39	163009	2-4
160670	5-6	161354	4-9	162239**	5-21	163015	2-2
160672	2-23	161356	1-44, 4-9	162240**	5-21	163016	2-7
160673	2-23	161357	4-9	162241**	5-21	163106	1-36
160674	2-21, 2-23	161359	4-9	162243**	5-21, 5-38	163165	5-39
160678	6-2	161431	2-13	162244**	5-39	163167	1-45
160831	6-37	161440	1-12, 1-22	162308	1-19	163169	5-3, 5-39, 6-14
160833	6-5	161443	2-15	162309	1-12, 1-19	163170	5-3, 5-39
160839	2-3	161444	2-12	162333	1-7	163172	5-3, 5-39, 6-14
160843	2-19	161493	2-23	162335	1-14	163173	5-3, 5-39
160846	2-14	161525	1-10, 1-26, 4-11, 7-21	162340	2-7, 2-8	163262	2-26
160847	6-16			162341	2-7	163290	2-23
160887**	5-36	161526	4-11, 6-38	162344	1-14	163291	2-10
160888**	5-36	161576	3-4	162345	1-24	163299	1-44
160889**	5-37	161577	3-4	162346	2-18	163300	1-44
160890**	5-37	161578	3-6, 3-8	162347	2-18	163302	1-44
160943	2-13	161579	3-6, 3-8	162350	2-3, 2-20	163327	2-25
160944	2-24	161580	3-6	162351	1-45	163368	1-17
160971	7-16	161595	4-2, 4-8, 4-10, 4-17	162352	1-45	163429	2-20
160972	7-16	161750	5-13	162356	6-8	163440	1-4
160973	7-16	161755	5-6	162357	6-8, 6-31	163442	1-14
160974	5-6	161756	5-14	162358	6-8, 6-9, 6-31, 6-37	163445	1-20, 1-21
160975	4-3, 4-4	161764	5-14	162359	6-8, 6-31	163452	4-9
160976	5-14, 5-37, 5-39, 5-41	161765	5-14	162360	6-8, 6-31	163453	4-9
160985	5-2	161777	5-32	162361	6-8, 7-27	163454	4-9
160986	5-2	161778	5-32	162363	2-26	163460	1-4
160989	5-6	161814	5-32, 5-38	162364	2-8	163461	1-44
160990	5-6	161825	5-17	162365	6-2	163462	1-44
160991	5-6	161826	1-29	162428	6-2	163463	1-44
160993	5-2	161829	7-25	162441	6-15	163464	1-44
160994	5-6	161830	5-17	162468	6-38	163497	4-9
160995	5-6	161833	4-19	162483	6-35	163498	4-9
160997	2-24	161837	4-13	162571	1-45	163499	4-9
160998	2-24	161859	1-44	162572	1-45	163504	1-44
161089	1-39	161860	1-44	162573	2-8	163505	1-44
161100	1-27, 1-31, 2-24	161861	1-44	162591	5-10	163511	1-11
161102	1-26, 1-27, 2-24	161871	7-20	162629	5-39	163512	1-11
161107	2-10	161872	7-17, 7-20	162630	5-39, 6-14	163515	4-8
161108	2-9	161873	7-20	162659	1-43	163517	4-2, 4-8, 4-10
161109	2-10, 2-11	161874	7-20	162684	3-6	163519	1-17
161136	6-4, 6-31	161875	6-29, 7-17	162685	3-6	163531	1-29
161139	2-10	161882	1-6	162731	1-35	163532	1-29
161206	5-16	161884	4-2, 4-8, 4-10, 4-19	162763	2-11	163536	1-20
161210	5-16	161885	4-2, 4-8, 4-10, 4-19	162815	1-35	163537	7-23
161222	7-20	161918	4-18	162850	2-18, 2-19	163585	1-9
161223	7-20	161919	4-17	162856	6-38	163586	1-9
161238	1-45, 4-18, 7-2, 7-3	161920	4-17	162862	2-2, 2-24	163636	8-4
161239	5-35, 6-29, 6-38	161924	4-17, 4-18	162863	2-26	163638	8-4
161293	1-44	161934	8-2	162864	6-18, 6-20	163642	8-4
161294	1-44	161935	8-2	162873	1-31, 1-37	163644	8-4
161295	1-44	161954	1-10	162874	1-31, 1-37	163647	1-15
161301	1-43, 1-44	161958	7-25	162875	1-31, 1-37	163675	2-27
161302	7-20	161965	7-20	162876	1-31, 1-37	163676	2-27
161323	2-13	161967	7-25	162878	1-31	163677	2-27
161324	2-13	161968	7-25	162879	1-31	163679	2-27
161330	1-44, 4-9	161969	7-25	162880	1-26, 1-31	163681	2-27
161331	1-44, 4-9	162016	5-14	162881	1-26, 1-31	163682	2-27
161332	4-9	162017	5-14	162882	1-31	163683	2-27
161333	4-9	162018	5-14	162883	1-26, 1-31	163685	2-27

MASTER NUMERICAL INDEX (Continued)

Part Number	Page	Part Number	Page	Part Number	Page	Part Number	Page
163687	2-27	164165	1-36	164583	1-44	165072	7-17
163688	2-27	164168	1-36	164584	1-44	165073	6-23, 7-17
163690	2-27	164169	1-36	164585	1-44	165077	7-17
163775	1-34	164195	5-20	164593	5-29	165079	7-17
163796**	5-27, 5-40	164196	5-40	164631	7-26	165102	5-5, 7-14
163813	1-34	164197**	5-20, 5-40	164632	7-26	165103	7-17
163814	1-34	164198**	5-20	164633	7-26	165116	6-20
163816	1-10	164199	5-20	164638	7-26	165118	7-3
163817	1-10	164201	1-10	164639	7-26	165134	7-6, 7-9, 7-11, 7-13
163852	1-31	164224	1-2, 1-3	164640	7-26	165168	6-29, 7-3
163963	1-11	164232	6-13	164641	7-26	165261	7-3
163964	1-10	164233	6-13	164642	6-2, 7-26	165392	7-5
163965	6-25	164234	1-4	164643	6-2, 7-26	165420	7-17
163966	6-25	164235**	5-26, 5-27	164644	1-32	165449	7-17, 7-21
163979	1-31, 1-36	164237	6-38	164645	1-32	165522	6-18, 6-20
164005	1-37	164272	5-29, 5-40	164646	1-32	165650	6-20
164006**	8-2	164273	5-29	164647	1-32	165651	6-20
164007**	8-2	164275	5-29	164649	1-32	165652	6-20
164008**	8-2	164276**	5-29	164650	1-32	165691	4-11
164009**	8-2	164277	5-29	164651	1-32	165693	1-31
164010	8-2	164278	5-29	164653	1-32	165694	1-45
164011	8-2	164279	5-29	164659	1-32	170086	1-18
164012	8-2	164281	5-34	164757	3-4	170088	1-44
164013	8-4	164282	5-34	164837	5-18	170098	1-17
164014	8-4	164283	5-34	164838	5-18	170099	1-17
164015	8-4	164284	5-34	164839	5-18	170100	1-44
164016	8-4	164288	1-45	164840	6-31	170101	1-13
164017	8-4	164349	1-17	164853	6-30	170102	1-13
164018	8-4	164379	1-32	164854	6-30	170103	1-13
164019	8-3	164383**	5-27	164855	6-30	170104	1-13
164020**	8-4	164384	8-3	164856	5-18	170105	1-13
164021	8-4	164405**	5-29, 5-40	164858**	5-15	170106	1-13
164022	8-4	164407	5-34	164862	6-32	170172	1-33
164023	8-4	164408	5-34	164863	6-32	170173	1-33
164024**	5-23, 5-40	164409	1-45	164865	5-18	170185	1-44
164025**	5-23	164426	1-39	164866	5-18	170186	1-44
164028**	5-23	164457	1-31	164867	6-32	170189	1-44, 4-9
164082	1-45	164479	3-6	164868	6-32, 6-33, 6-34	170190	1-44, 4-9
164084	5-20	164484	1-16	164869	6-34	170271	7-17
164085	6-38	164485	1-16, 1-32	164870	6-34	170272**	5-15, 5-40
164101	4-2, 4-10	164489	1-32	164936	5-32	170285	6-23
164107	1-24	164490	1-32	164938	5-32	170286	6-38
164120**	5-20, 5-40	164495	1-45	164939	5-32	170287	6-23
164121	5-34, 5-40	164496	1-36	164941	5-32	170288	6-23, 7-17
164122	5-6, 5-40	164497	1-36	164942	5-32	170289	6-23
164123**	5-20	164499	1-36	164943	5-32	170290	6-23
164124	5-20	164500	1-38	164944	5-32	170291	4-8
164125	5-20	164501	1-38	164951	6-38	170293	1-44, 4-9
164127	1-9	164502	1-36, 1-37, 1-38	164964	2-19	170294	4-8
164131	1-10	164504	1-38	164965	2-19	170295	4-8
164138	1-37	164511	2-10	164966	4-15	170297	1-44, 4-9
164142	1-3, 1-36, 1-39	164513	2-11	164974	4-12	170298	4-8
164143	1-36	164514	2-9	164975	4-12	170300	4-8
164144	1-36	164515	2-10	164976	4-11	170301	4-8
164145	1-36	164521	2-19	164977	4-11	170302**	5-15
164146	1-36	164525	2-19	164981	4-13	170303	5-15
164148	1-36	164526	2-19	164982	4-13	170304	5-15
164151	1-36	164528	2-19	165008	6-31, 6-32, 7-4, 7-6, 7-8, 7-10, 7-12, 7-17	170305	5-15
164154	1-36	164529	2-19			170306	5-29, 5-40
164155	1-36	164530	2-19	165015	7-11	170307	5-4
164156	1-36	164531	2-19	165027	1-3, 4-13, 7-5, 7-6, 7-7, 7-13	170308**	5-3
164157	1-36	164532	2-19			170310	4-8
164158	1-36	164535	2-19	165038	7-11	170313	7-17
164160	1-37	164538	2-19	165051	7-5	170314	7-17
164161	1-36, 4-11	164539	2-19	165053	7-7, 7-13	170316	7-17
164162	1-36, 4-11	164540	2-19	165054	7-7, 7-13	170317	7-17
164163	1-36	164541	2-19	165060	6-21, 6-29, 7-11	170319	7-17
164164	1-36, 4-11	164543	2-19	165062	6-22, 7-17	170320	1-45

MASTER NUMERICAL INDEX (Continued)

Part Number	Page	Part Number	Page	Part Number	Page	Part Number	Page
170321	1-45	170496	1-8	173327	6-35	174184	1-31
170322	1-10	170499	1-10	173328	6-35	174217	1-39
170323	1-10	170573	6-27, 7-24	173329	6-35	174219	1-39
170324	1-12, 1-13	170778	2-9	173330	6-35	174220	1-39
170325	1-13	171461	7-24	173338	2-8	174221	1-39
170329	1-10	171462	6-27, 7-24	173340	2-7, 2-8	174222	1-39
170330	1-10	171463	6-27, 7-24	173343	4-20	174223	1-39
170331	1-15	171490	6-29	173344	4-20	174225	1-39
170332	1-15	171501	7-17	173345	4-20	174226	1-39
170334	1-17	171516	6-29	173398	1-37	174227	1-39
170337	1-23	171522	6-37	173400**	5-23, 5-40	174238	1-39
170342	1-45	171531	7-17	173452	6-19	174250	1-42, 1-43, 4-10, 4-12
170349	1-28	171541	4-15, 6-10, 7-21	173454	1-45	174260	4-8
170350	1-13	171555	7-2, 7-5, 7-9, 7-11	173455	5-34	174261	4-8
170351	1-13	171559	1-10	173456	5-34	174306	6-37
170352	1-13	171602	6-29	173457	5-34	174314	1-45
170353	1-13	171609	6-27, 7-24	173458	5-34	174350	1-12
170354	1-13	171610	6-27, 7-24	173508	1-6	174410	1-21
170355	1-13	171641	6-27	173645	1-5, 1-6	174411	1-21
170356	1-13	171644	6-27, 7-24	173689	7-26	174412	1-21
170357	1-13	171650	7-24	173706	7-18	174413	1-21
170358	1-2	171651	6-28	173707	7-19	174414	1-21
170360	1-13	172638	2-9	173708	7-19	174415	1-21
170361	1-13	172640	2-21	173709	7-18	174416	1-21
170362	1-13	172655	5-10	173711	1-23	174421	1-21
170363	1-13	172749	5-31	173727	6-3	174422	1-21
170364	1-13	172760	4-13	173754	2-13	174458**	5-25, 5-40
170365	1-13	172938	3-6	173755	2-13	174491	1-20
170368	1-13	172945	1-36, 1-37, 1-38	173756	2-13	175519	2-27
170369	1-13	172947	1-38	173759	2-27	175521	2-27
170370	1-13	172948	1-38	173769	2-27	175523	2-27
170371	1-13	172971	6-37	173775	2-13	175546	2-27
170372	1-15	172976	1-20	173776	4-9	175547	2-27
170374	1-15	172978	1-14	173779	6-19	175554	2-27
170375	1-13	172983	2-11	173781	5-34	175556	2-27
170376	1-15	172985	4-15	173786	7-18	175559	2-27
170379	1-15	173004	3-7	173787	7-19	175565	2-27
170380	1-15	173028	1-37	173793	1-44	175568	2-27
170381	1-18	173029	1-37	173794	1-44	175580	2-27
170382	1-18	173095	1-37	173795	1-44	175582	2-27
170383	1-18	173096	1-19, 1-37	173797	6-19	175583	2-27
170385	1-16	173097**	5-27	173800	6-19	175584	2-27
170386	1-18	173122	1-37	173801	6-19	175604	2-27
170388	1-18	173138	5-3, 6-14	173817	6-19	175608	2-27
170390	1-18	173200	2-7	173818	4-9	175612	2-27
170391	1-18	173203	2-8	173819	4-9	175632	2-27
170392	1-19	173206**	5-27	173842	6-19	175701	2-27
170395	1-7	173207**	5-27	173844	6-19	175707	2-27
170396	1-8	173220	1-10	173920	5-6	175710	2-27
170397	1-7	173221	1-10	173965	2-27	175711	2-27
170398	1-7	173222	1-45	173966	2-27	175713	2-27
170399	1-8	173237	1-45	173967	2-27	176138	2-13
170400	1-9	173238	5-40	173968	2-27	176163	4-11
170401	1-9	173239	6-15	173969	2-27	176167	5-9
170403	1-10	173240	6-15	173970	2-27	176252	2-3
170404	1-10	173250	6-2	173971	2-27	176300	5-18, 5-41
170405	1-10	173251	6-5	173977	2-13	176301	5-18
170406	1-9	173252	6-13	173978	2-13	176302	5-18, 5-19
170407	1-9	173255	6-5	173979	2-13	176303	5-18, 5-19
170409	1-9	173256	5-10, 5-40	173980	2-13	176304	1-36, 1-41
170410	1-2	173281	6-23	173981	2-13	176305	1-41
170412	1-7	173320	6-35	174012	6-32	176306	1-41
170413	1-7	173321	6-35	174034	1-26	176307	1-41
170414	1-13	173322	6-35	174082	8-3	176308	1-41
170418	1-23	173323	6-35	174179	1-31	176309	1-41
170419	1-9	173324	6-35	174181	1-31	176310	1-41
170456	1-28	173325	6-35	174182	1-31	176311	1-41
170494	1-8	173326	6-35	174183	1-31		

MASTER NUMERICAL INDEX (Continued)

Part Number	Page	Part Number	Page	Part Number	Page	Part Number	Page
176312	1-41	176719	4-11	176815	4-11	178778	4-17
176313	1-41	176720	4-11	176816	4-11	178779	4-17
176314	1-41	176721	4-11	176817	4-11	178780	4-17
176316	1-41	176722	4-11	176823	2-6	178781	6-38
176318	1-41	176723	4-11	177005	1-14	178785	1-17
176320	1-41	176724	4-11	177010	7-21	178786	1-45
176321	1-41	176725	4-11	177015	7-21	178787	1-17
176323	1-41	176726	4-12	177018	1-39	178790	1-14
176326	4-15	176732	4-11	178137	6-22	178795	1-17
176339	1-19	176733	4-11	178138	6-22	178831	6-4
176348	6-38	176734	4-11	178140	6-22	178832	6-4
176354	1-18	176735	4-12	178142	1-17	178837	5-19
176381	6-38	176736	4-11	178178	2-19	178838	5-19
176382	6-38	176737	4-11	178306	6-17, 6-18, 6-20	178840	7-21
176386	6-39	176738	4-11	178307	6-17	178841	7-21
176387	6-39	176739	4-11	178308	6-17, 6-18	178843	7-21
176388	6-38	176741	4-10	178316	4-10 to 4-15	178849	1-30
176393	7-21	176743	4-10	178320	4-15	178851	1-30
176395	1-41	176745	4-10	178321	4-15	178853	6-3
176405	1-34	176749	2-6	178322	4-15	178854	6-3
176406	1-34	176751	4-10	178323	4-11	178856	6-3
176407	1-34	176752	1-42, 4-10	178325	4-14	178859	7-21
176436	1-22	176754	4-11	178326	6-18, 6-20	178860	7-22
176448	6-16	176755	4-11	178327	6-18	178868	7-21
176489	2-2, 2-3	176756	4-11	178328	6-18	178871	1-38, 4-13
176490	2-2, 2-5, 2-24	176757	4-11	178329	1-31	178872	4-13
176495	6-9	176758	4-11	178330	6-18, 6-20	178886	7-21
176632	1-39	176759	4-11	178331	1-31	178887	7-21
176633	1-39	176760	4-11	178332	4-11	178888	7-21
176634	1-39	176761	4-11	178339	1-31	178892**	5-24
176655	4-10	176762	4-11	178340	1-31	178893**	5-24
176656	4-10	176768	4-11	178345	6-18	178894**	5-24
176657	4-10	176769	4-11	178346	1-17, 1-31	178895	5-24
176658	2-6	176770	1-42	178349	1-31	178897**	5-24, 5-41
176659	1-3	176771	1-42	178351	6-33	178913	6-31
176661	1-3	176772	1-42	178352	6-33	178914**	5-24
176663	1-2	176774	1-42	178363	7-21	179049	5-32
176667	5-28	176776	1-42	178382	6-31	179103	3-8
176668	5-28	176779	1-42	178387	5-30, 5-41	179139	7-27
176669	5-28	176780	1-42	178389	5-30	179170	1-10
176670	5-28	176781	1-42	178390	5-30	179190	3-4
176671	5-28	176782	1-42	178391	5-30	179193	5-32
176672	1-3	176784	1-42	178392	5-30	179195	6-34
176673	1-3, 6-10	176785	5-28	178394	6-17	179196	6-34
176674	1-28	176787	1-42	178490	1-12	179197**	5-3, 6-34
176675	1-3	176788	6-10	178491	1-19	179200	6-34
176679	2-6	176789	1-42	178492	1-19	179234	6-34
176680	6-38	176790	1-42	178493	1-19	179256	5-29
176682	1-45	176792	1-42	178494	1-19	179258	1-30
176686	2-6	176793	1-42	178535	6-17, 6-18, 6-22	179260	7-21
176687	2-6	176794	1-42	178601	7-21	179278	1-30
176688	2-6	176795	1-42	178602	7-21	179279	1-30
176689	2-6	176796	1-42	178608	6-18	179362	1-32
176691	1-3	176797	1-42	178609	6-18	179363	1-32
176692	6-10	176799	1-42	178725	1-30	179373	1-15
176693	6-10	176801	1-42	178726	1-30	179402	5-21
176694	6-10	176802	1-42	178728	1-30 1	179417**	5-41
176696	6-10, 6-22	176803	1-42	178729	5-25	179420	3-7, 3-8
176697	6-10	176804	1-42	178768	4-17	179421	3-7
176698	6-10	176805	1-42	178769	4-9	179422	3-7
176700	1-3	176807	1-42	178770	4-9	179423	3-7, 3-8
176702	1-3	176808	1-42	178771	4-9	179424	3-7, 3-8
176703	1-3	176809	1-42	178772	4-9	179429	6-38
176707	5-28	176810	6-10	178773	4-9	179444	6-15
176709	1-28	176811	6-10	178774	4-9	179445	6-5
176711	5-28	176812	6-10	178775	4-9	179446	6-15
176712	5-28	176813	4-11	178776	4-9	179449	5-13
176713	5-28, 5-41	176814	4-11	178777	4-9	179469	5-13
176717	4-11						

MASTER NUMERICAL INDEX (Continued)

Part Number	Page	Part Number	Page	Part Number	Page	Part Number	Page
179470	5-13	179797	7-23	192747	7-22	195144	1-44, 4-9
179472	6-37	179800	7-23	192751	7-22	195145	1-44, 4-9
179484	6-15, 7-27	179812	7-22	192756	7-22	195146	1-44
179486	6-5	179813	7-22	192767	7-22	195147	1-44
179487	6-5	179860	5-19	192793	2-24	195154	1-5, 1-43
179488	6-5	179953	6-37	192849	2-15	195155	1-43
179493	5-14, 5-39	179954	6-37	192970	7-22	195156	1-43
179560	7-21	179956	6-37	192974	7-22	195157	1-43
179561	7-21	179990	1-10	192975	7-22	195158	1-43
179562	7-21	179991	1-10	192976	7-22	195160	1-43
179573	2-11	179992	1-10	192979	7-22	195161	1-43
179579	2-19	179993	8-3	192980	7-22	195162	1-43
179599	1-2	192533	1-19	192984	7-22	195163	1-43
179600**	5-28	192534	1-18	193565	1-6, 1-44, 4-2 to 4-8, 4-10, 4-17	195164	1-5
179601**	5-28, 5-41	192629	1-6	193654	1-32	195165	1-5
179610	7-22, 7-23	192661	2-3, 2-4	193674	5-32	195166	1-5
179611	7-22, 7-23	192681	1-15	193675	5-32, 5-41	195167	1-43
179621	1-45	192709	2-3, 2-4	193802	1-19	195168	1-43
179623	1-2	192710	7-22	194048	7-23	195169	1-43
179627	6-38	192713	7-22	194272	2-24	195176	4-11
179632	6-39	192714	7-22	194356	4-2	195186	1-20
179634	7-22	192715	7-22	194425	1-32	195187	1-20, 1-21
179635	7-22	192719	7-22	194452	1-12	195241	7-23
179636	7-22	192720	7-22	194490	7-17	195262	7-22
179637	7-22	192721	7-22	194492	6-13	195263	1-43
179638	7-22	192723	7-22	194575	5-26	195264	1-43
179640	7-23	192725	7-22	194855	5-19	195267	5-14
179643	7-23	192726	7-22	194857**	5-26, 5-41	195272	7-22
179662	6-39	192727	7-22	194858**	5-26	195273	7-22
179671	6-5	192730	7-22	194859**	5-26, 5-41	195417	1-43
179740	1-39	192731	7-22	194860**	5-26	195418	1-43
179748	7-22	192736	7-22	194861	5-19, 5-41	195526	7-21
179749	7-22	192737	7-22	194925	1-44	195527	7-21
179782	6-17, 6-18, 6-20	192740	7-22	194926	1-44	195528	7-21
179793	7-22	192741	7-22	194927	1-44	195648	7-22
179794	7-22	192744	7-22	194928	1-44	195841**	5-4
179796	7-22	192745	7-22				