

28 TYPING UNIT (LP)

PARTS

FIGURE	CONTENTS	PAGE
1	Left and Right Side Frame	2
2	Left and Right Side Frame (Continued)	3
3	Pressure Roller Mechanism	4
4	Space Suppression Mechanism	5
5	Paper Spindle and Reset Bail Mechanism	6
6	Line Feed and Platen Mechanism	7
7	Left Side Linkage and Rocker Shaft	8
8	Right Side Linkage and Type Box Carriage Mechanism	9
9	Main Shaft	10
10	Main Shaft (Continued)	11
11	Trip Shaft Mechanism	12
12	Carriage Return and Spacing Drum Mechanism	13
13	Front Plate Mechanism	14
14	Front Plate Mechanism (Continued)	15
15	Front Plate Mechanism (Continued)	16
16	Code Bar Positioning Mechanism	17
17	Selector Mechanism	18
18	Selector Magnet Mechanism	19
19	Right Ribbon Feed Mechanism	20
20	Left Ribbon Feed Mechanism	21
21	Code Bar Mechanism	22
22	Printing Carriage Mechanism	23
23	151799 Modification Kit to Provide Latches for Paper Spindle	24
24	157514 Modification Kit to Provide Automatic Carriage Return and Line Feed	24
25	154971 "AY" Stunt Box Assembly	25
26	197844 "AJF" and 197845 "AJG" Stunt Box Assemblies	26
27	Type Box and Pallets	27
	Numerical Index	28

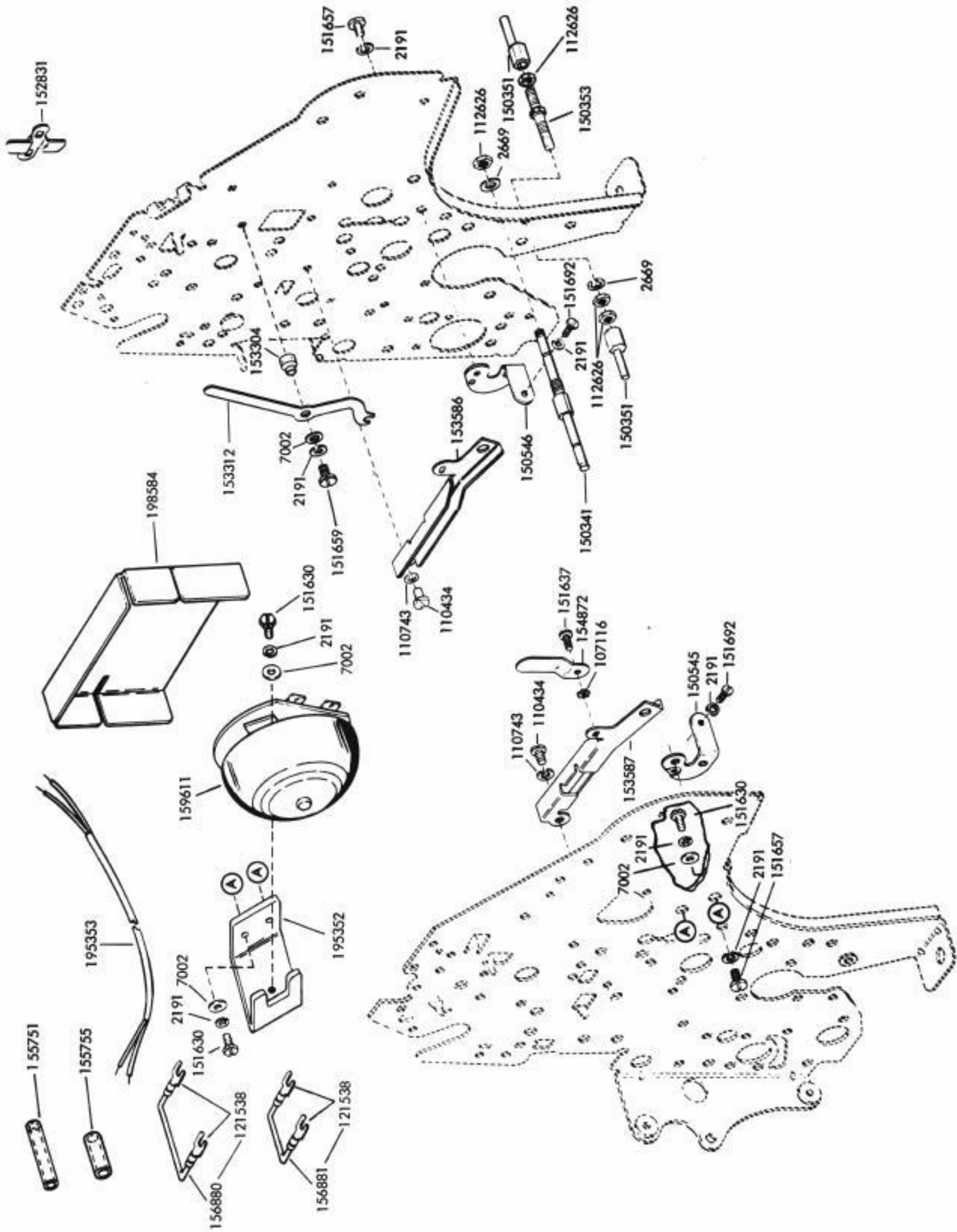
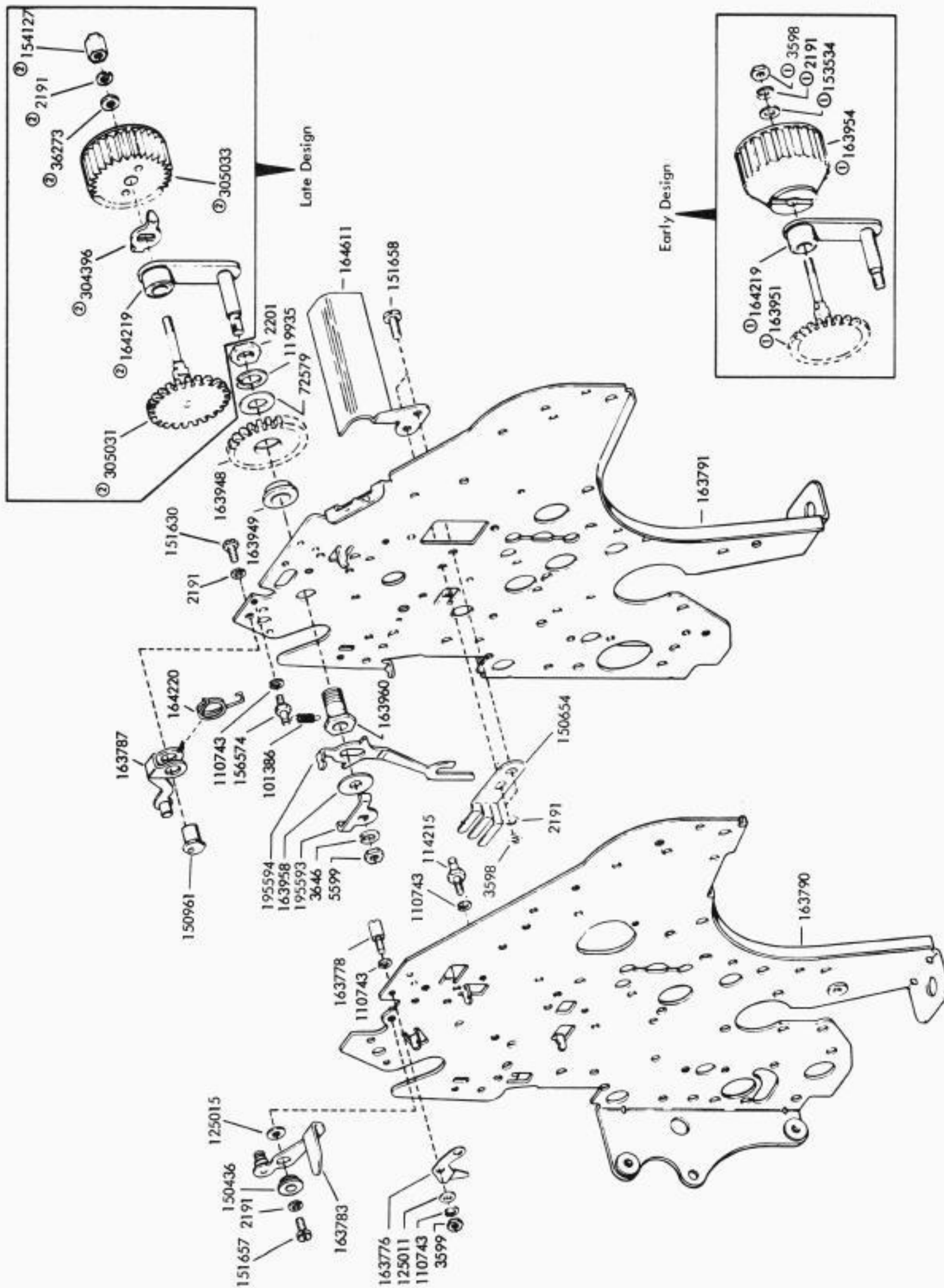
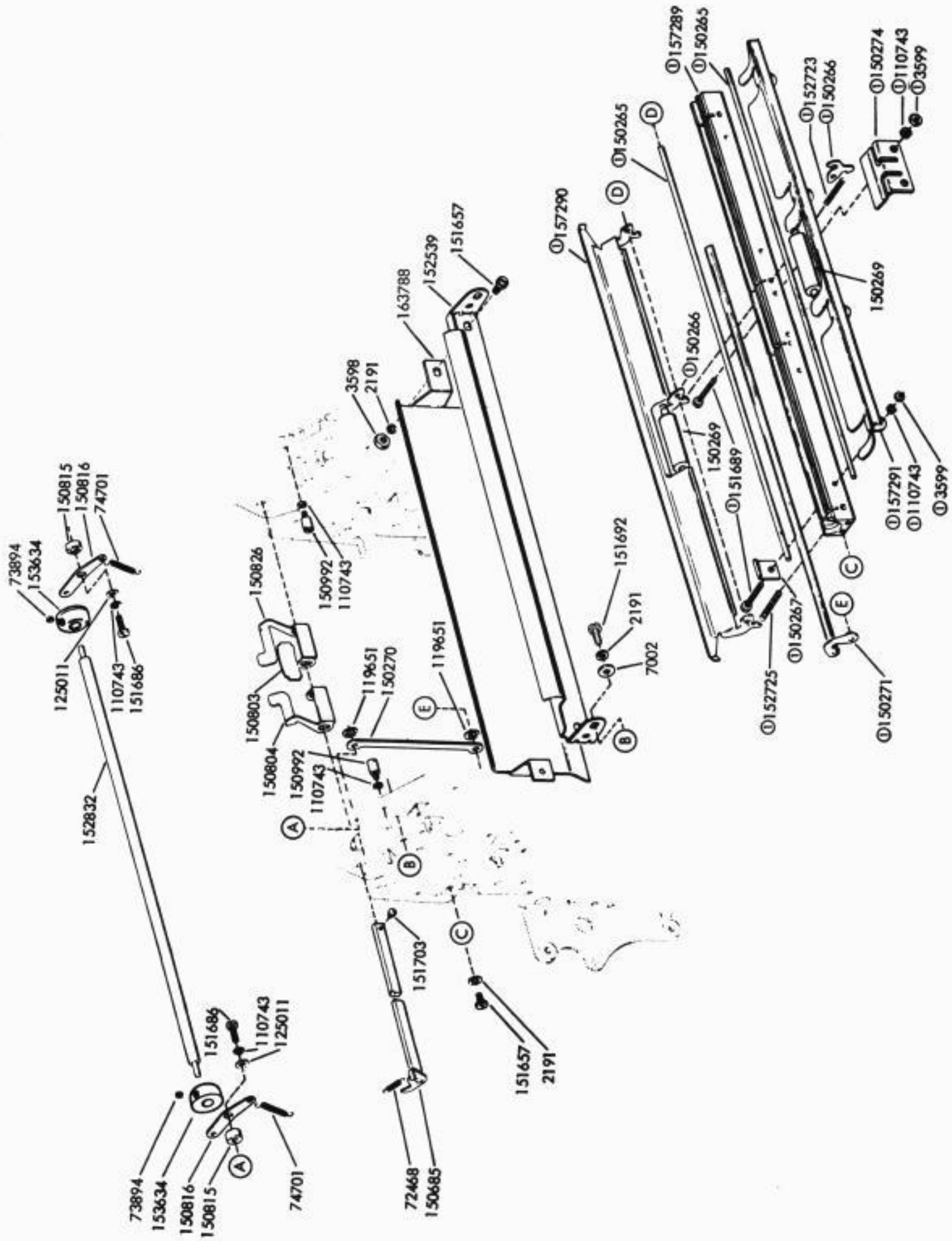


FIGURE 1. LEFT AND RIGHT SIDE FRAME



- ① 164221 Handwheel Assembly
- ② 305050 Handwheel Assembly

FIGURE 2. LEFT AND RIGHT SIDE FRAME (Continued)



150096 Pressure Roller Assembly

FIGURE 3. PRESSURE ROLLER MECHANISM

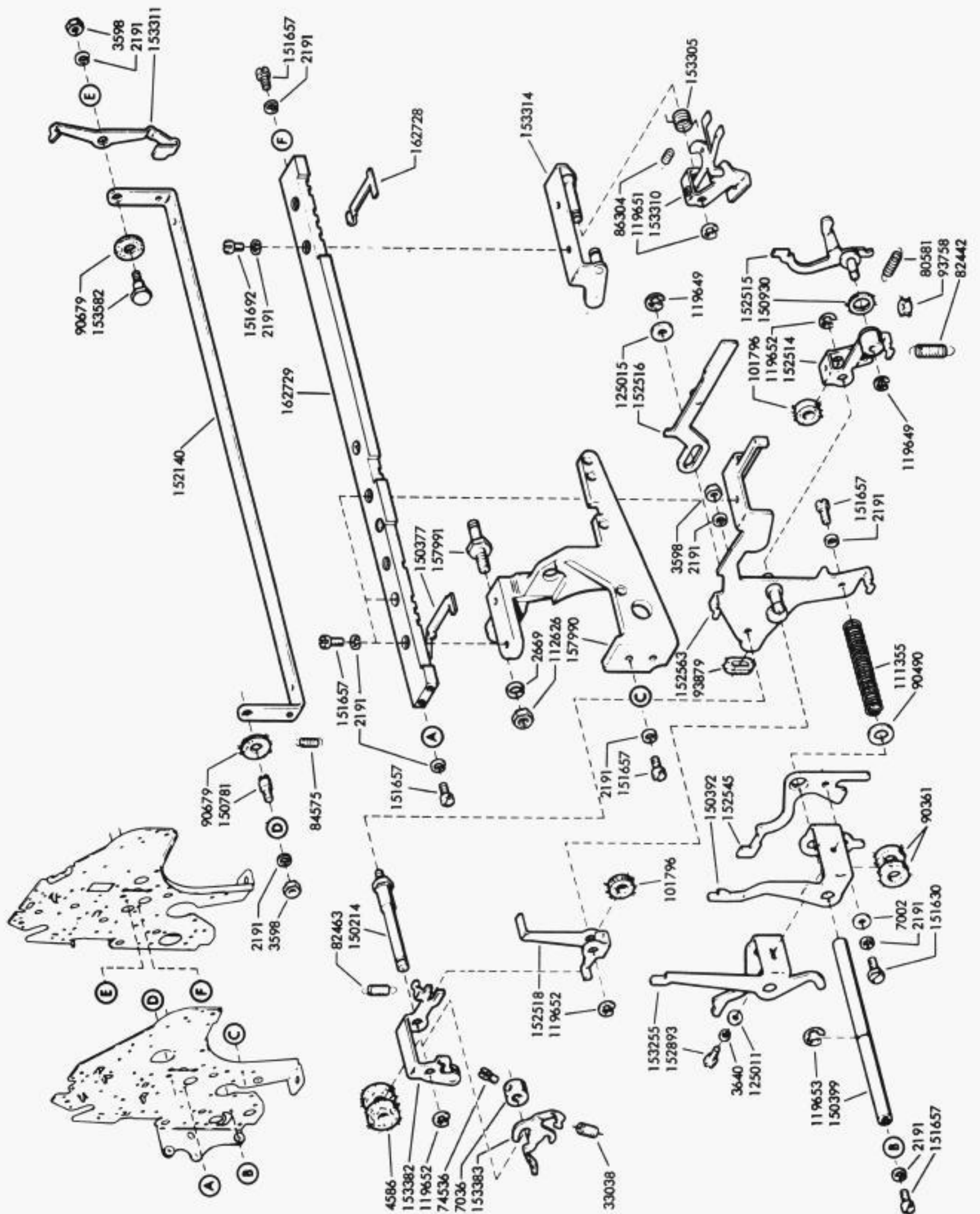


FIGURE 4. SPACE SUPPRESSION MECHANISM

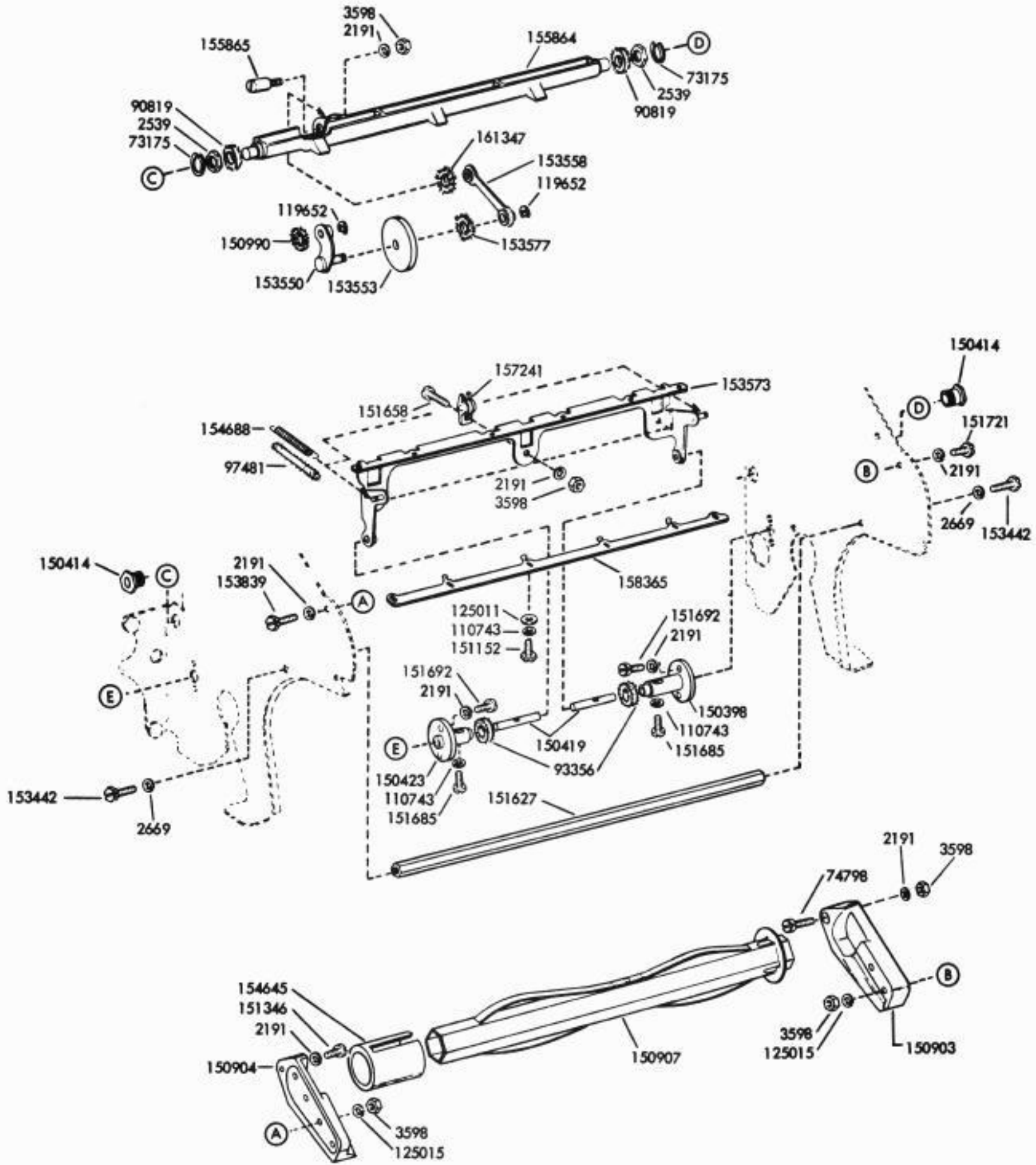
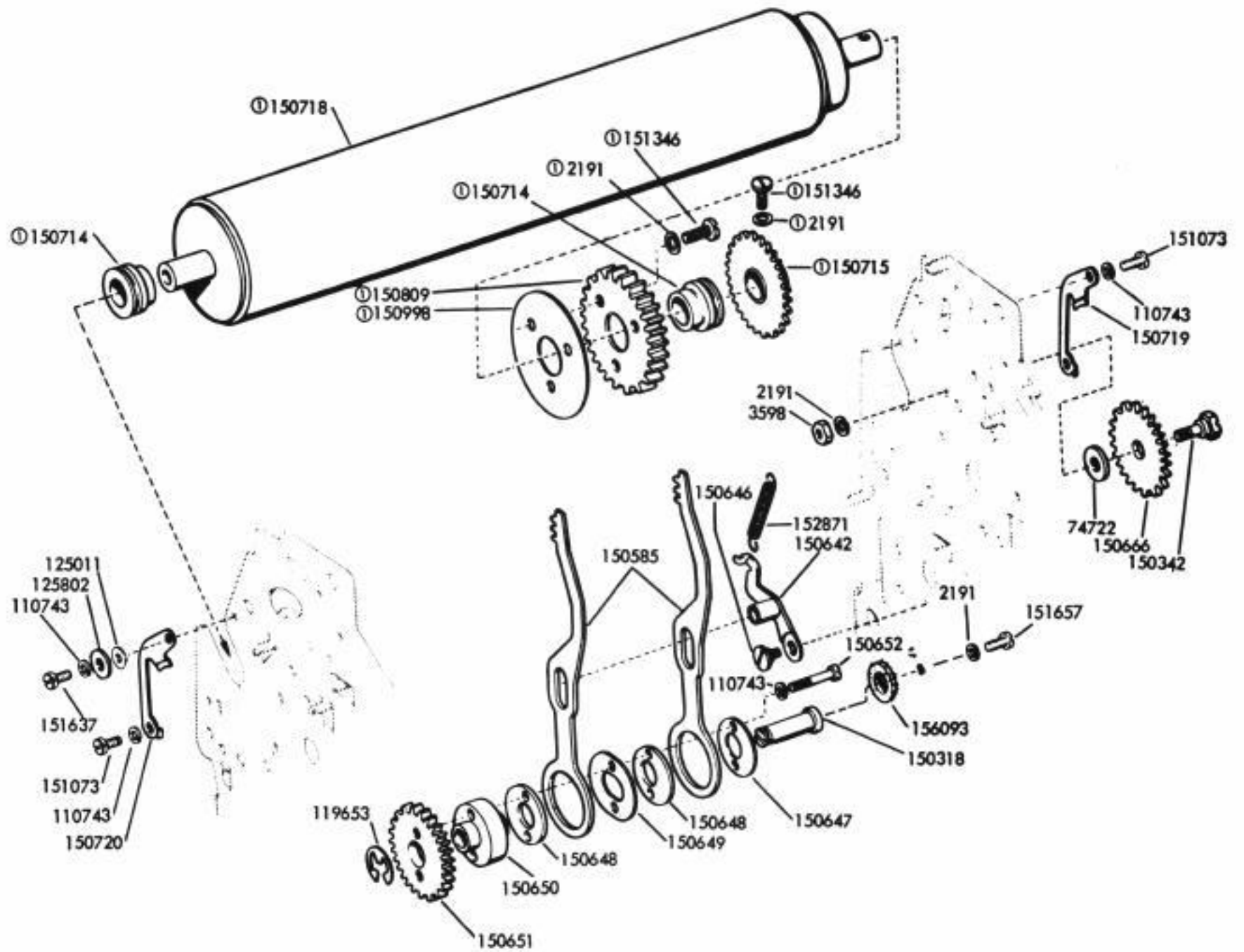


FIGURE 5. PAPER SPINDLE AND RESET BAIL MECHANISM



Ⓢ150833 Platen Assembly

FIGURE 6. LINE FEED AND PLATEN MECHANISM

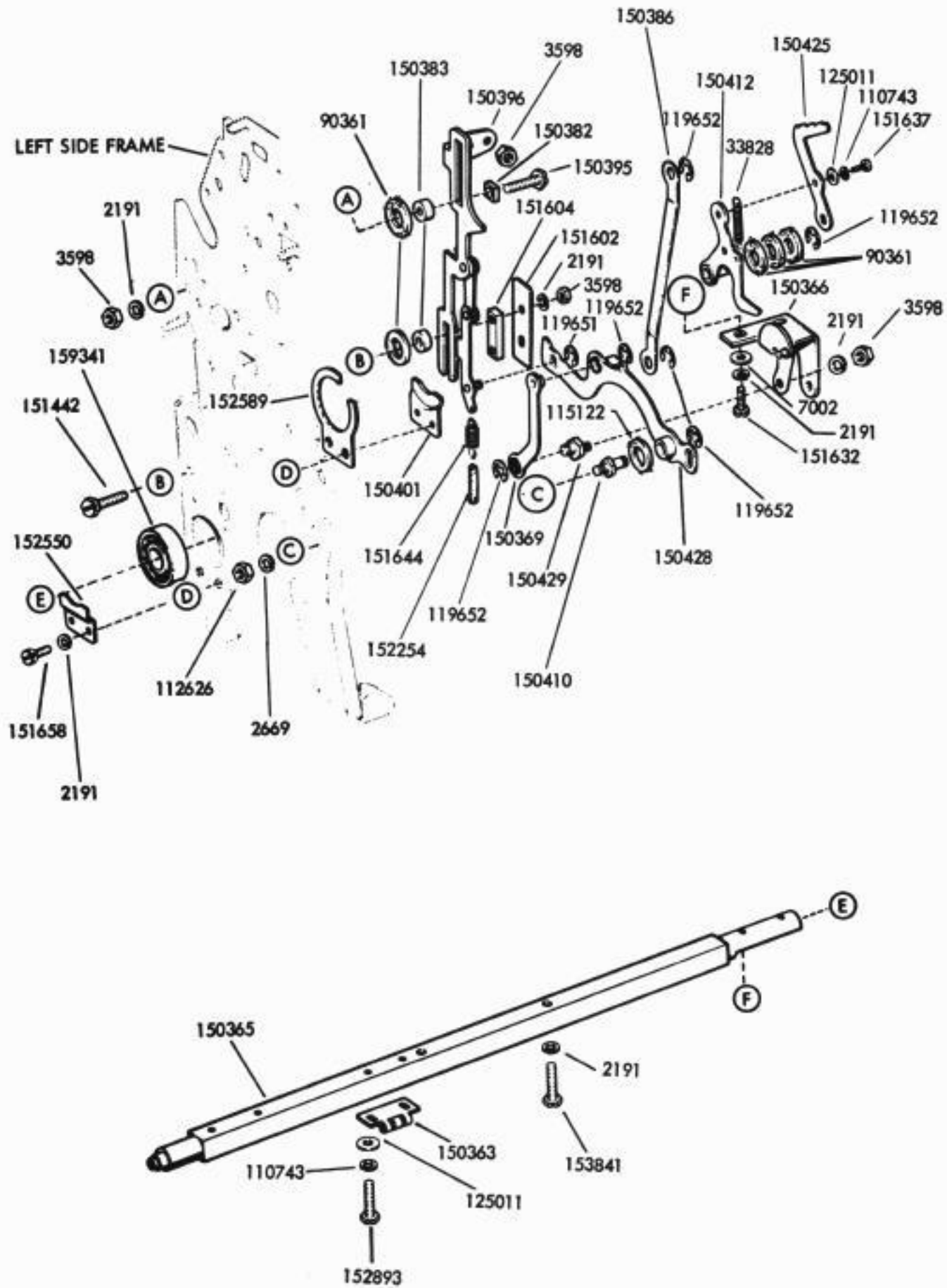


FIGURE 7. LEFT SIDE LINKAGE AND ROCKER SHAFT

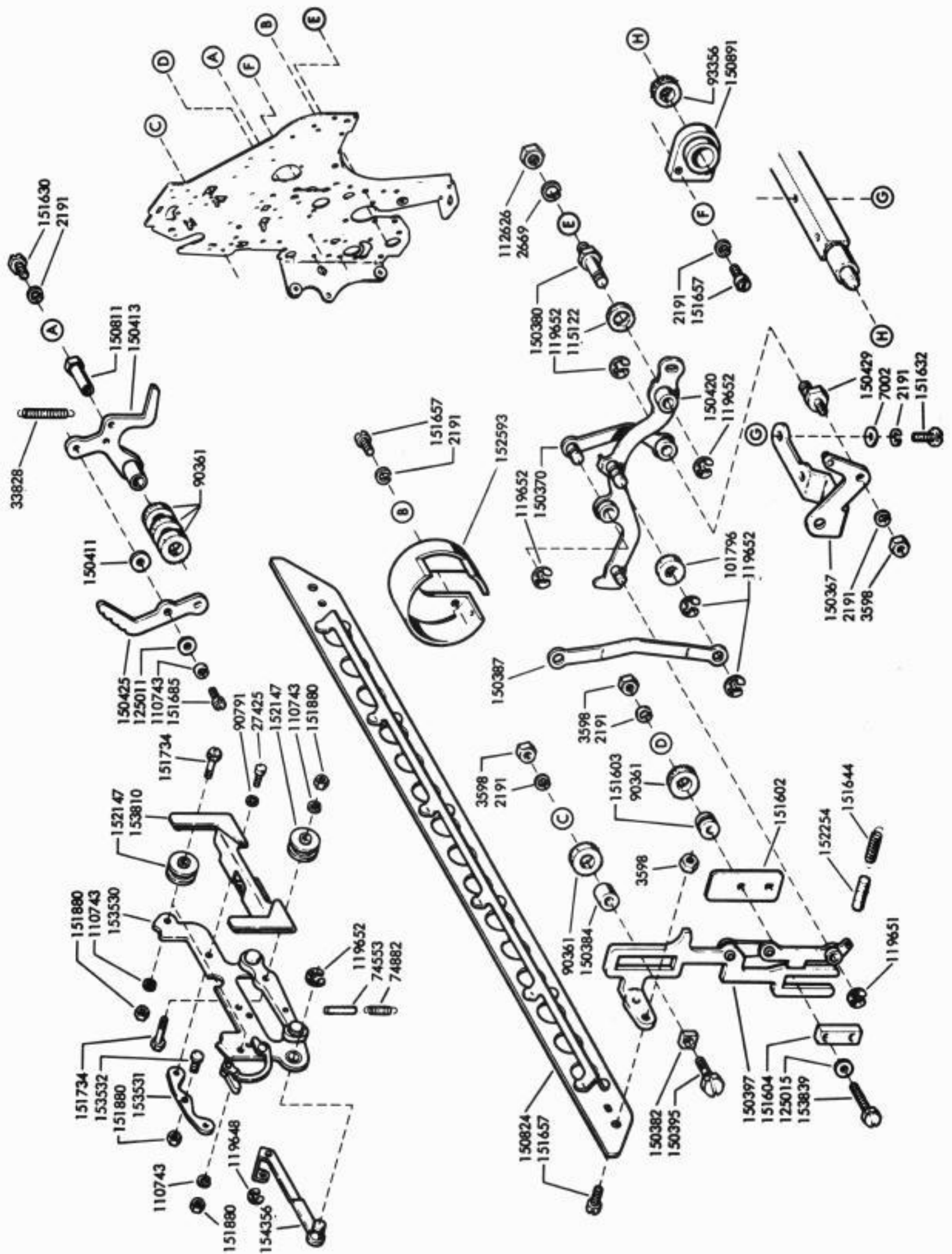


FIGURE 8. RIGHT SIDE LINKAGE AND TYPE BOX CARRIAGE MECHANISM

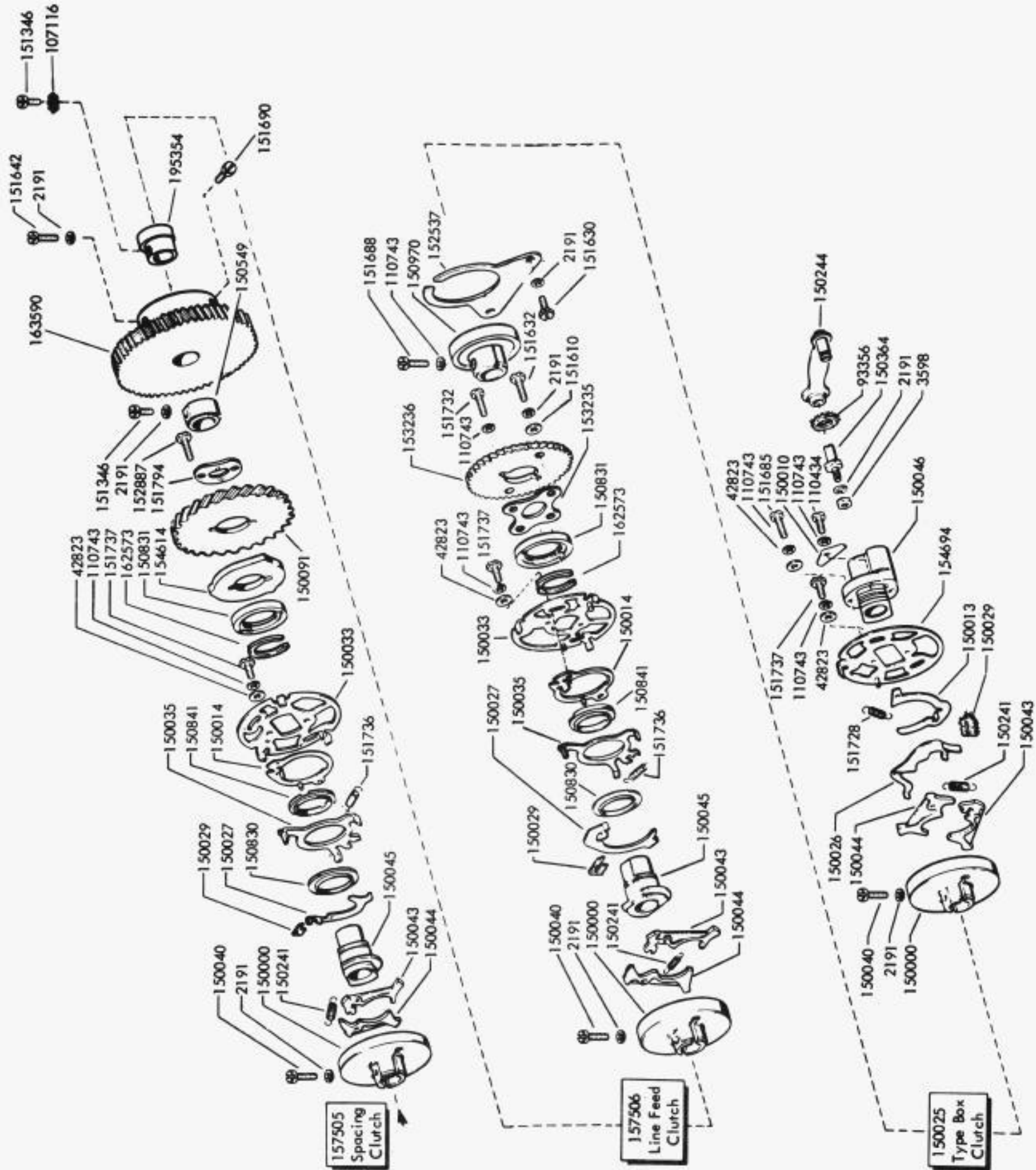


FIGURE 9. MAIN SHAFT

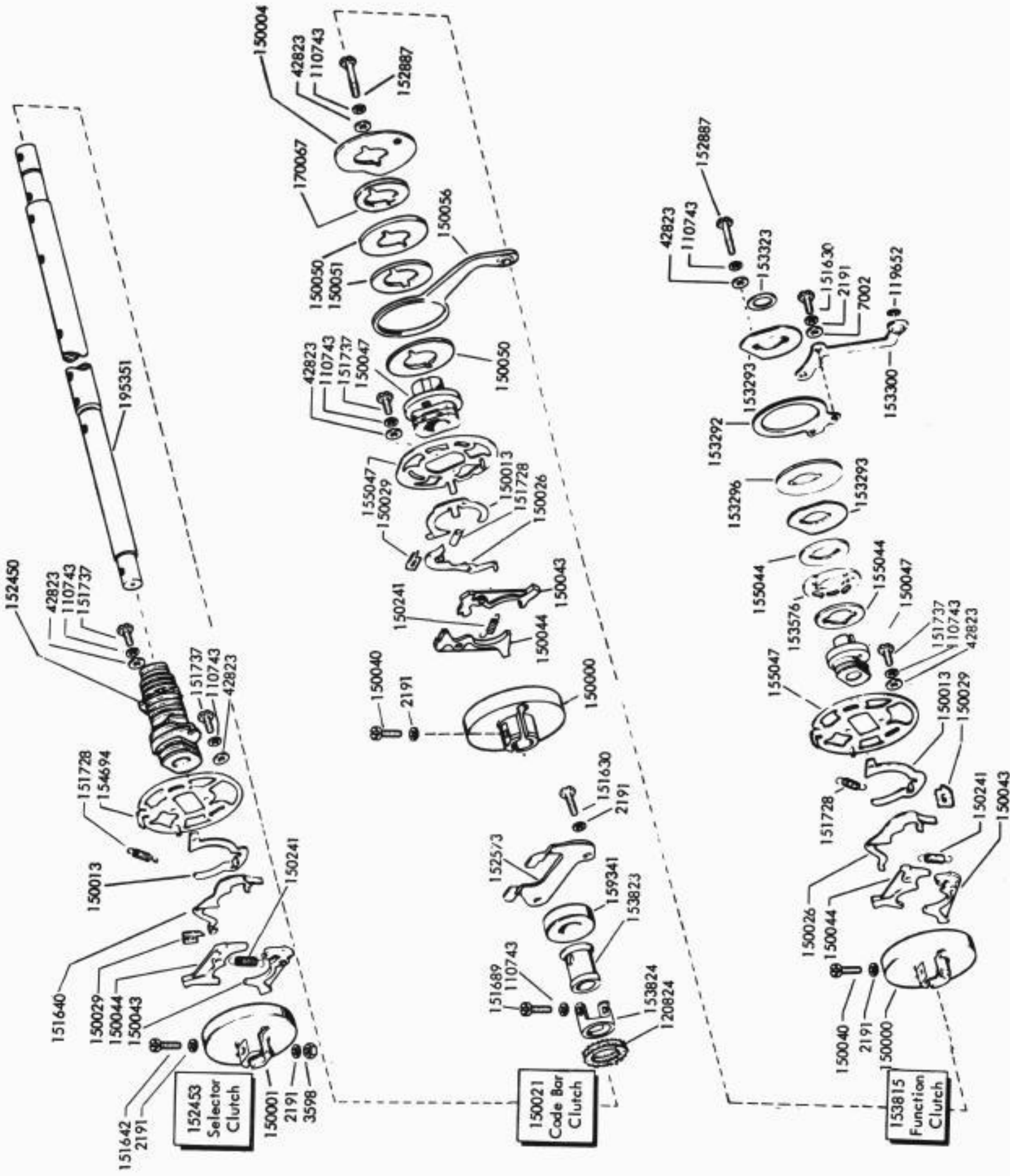


FIGURE 10. MAIN SHAFT (Continued)

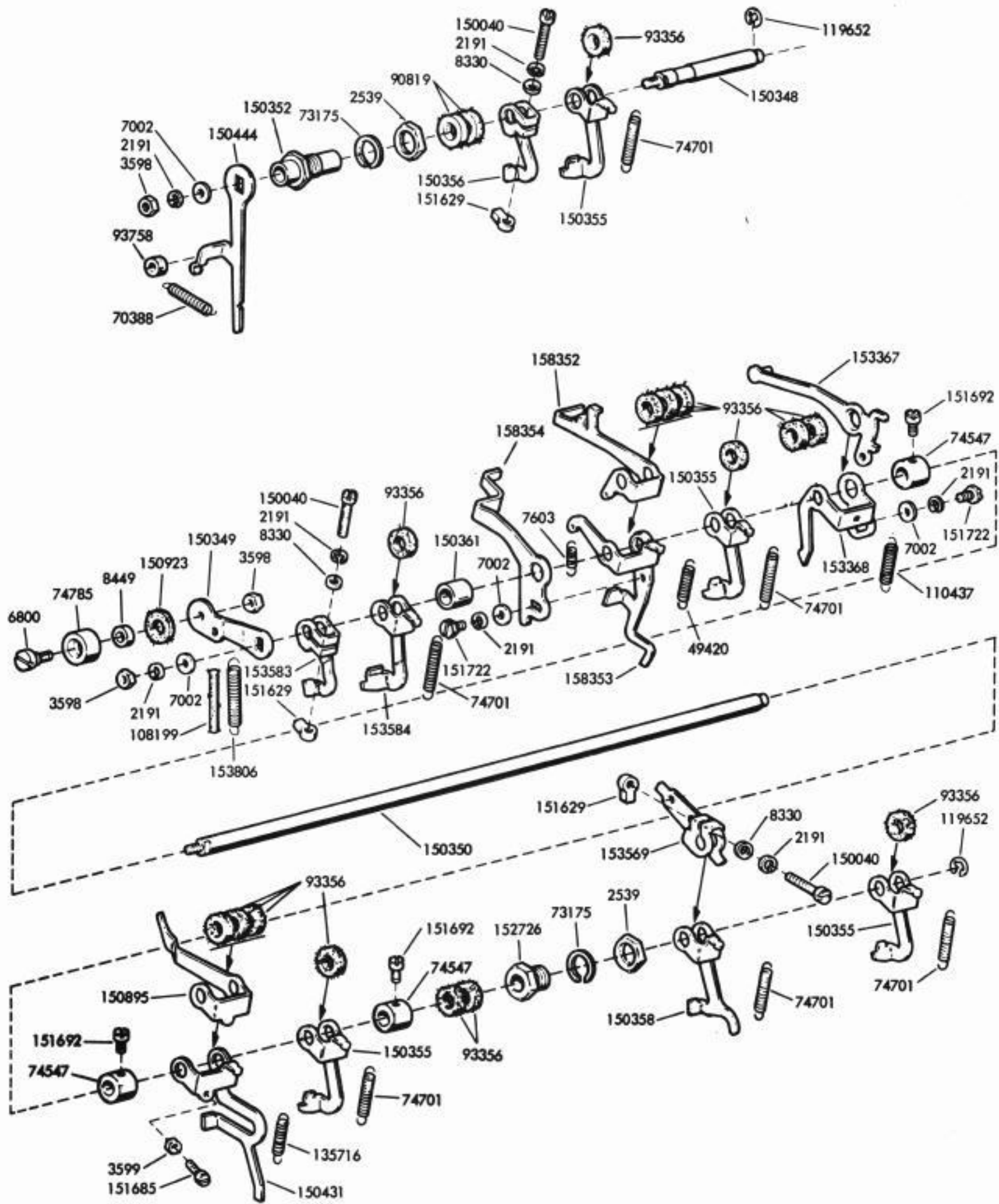


FIGURE 11. TRIP SHAFT MECHANISM

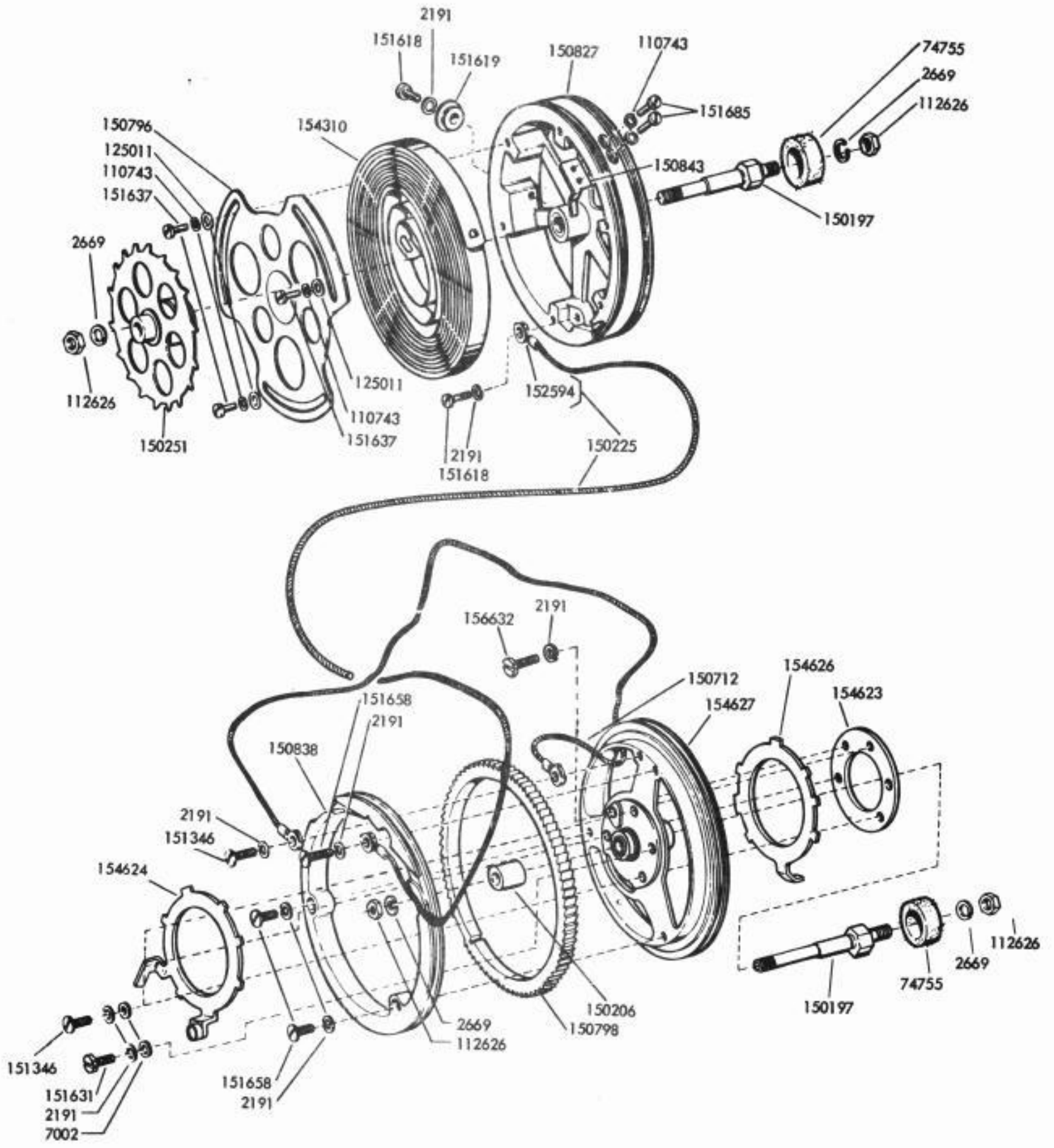


FIGURE 12. CARRIAGE RETURN AND SPACING DRUM MECHANISM

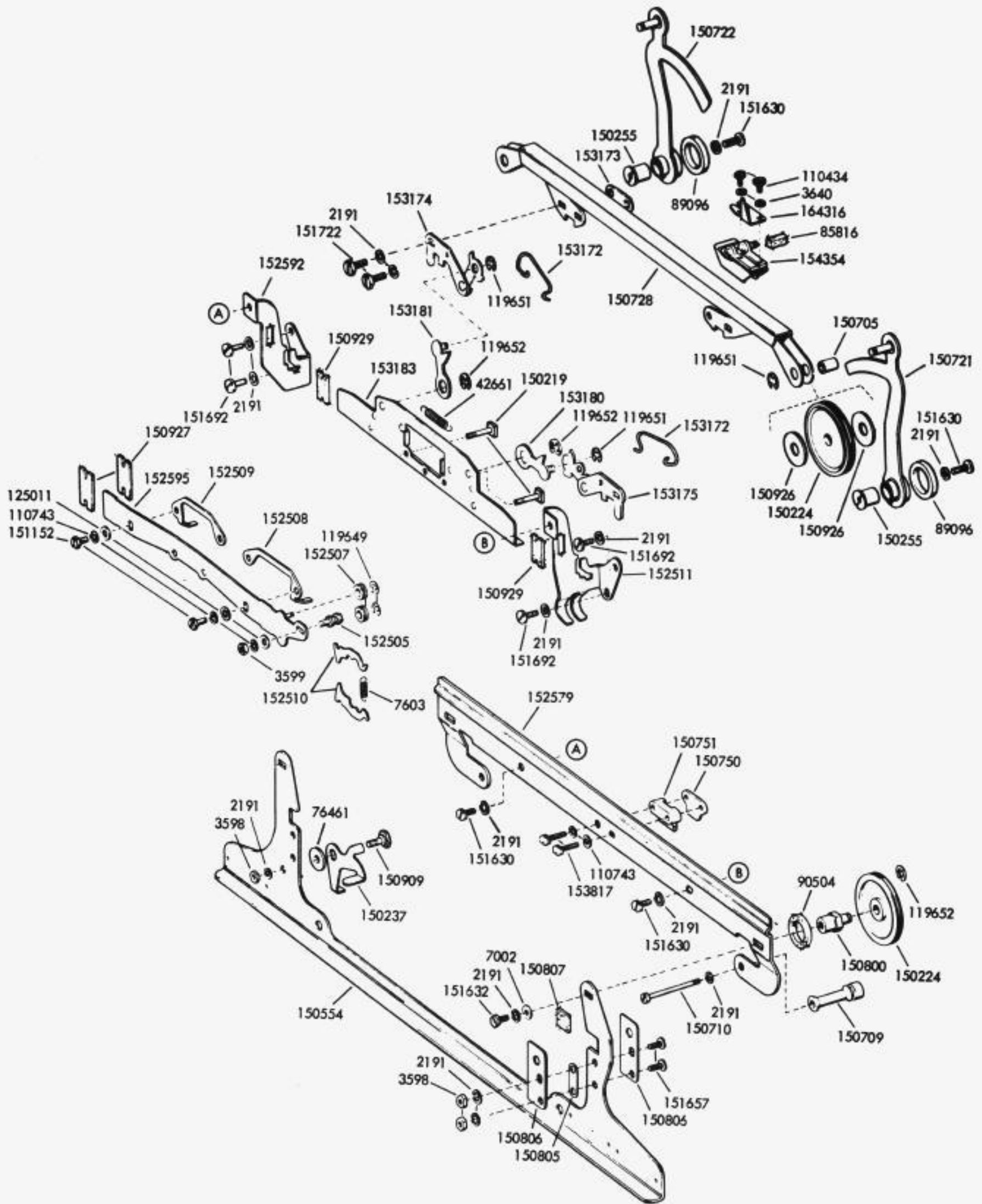


FIGURE 13. FRONT PLATE MECHANISM

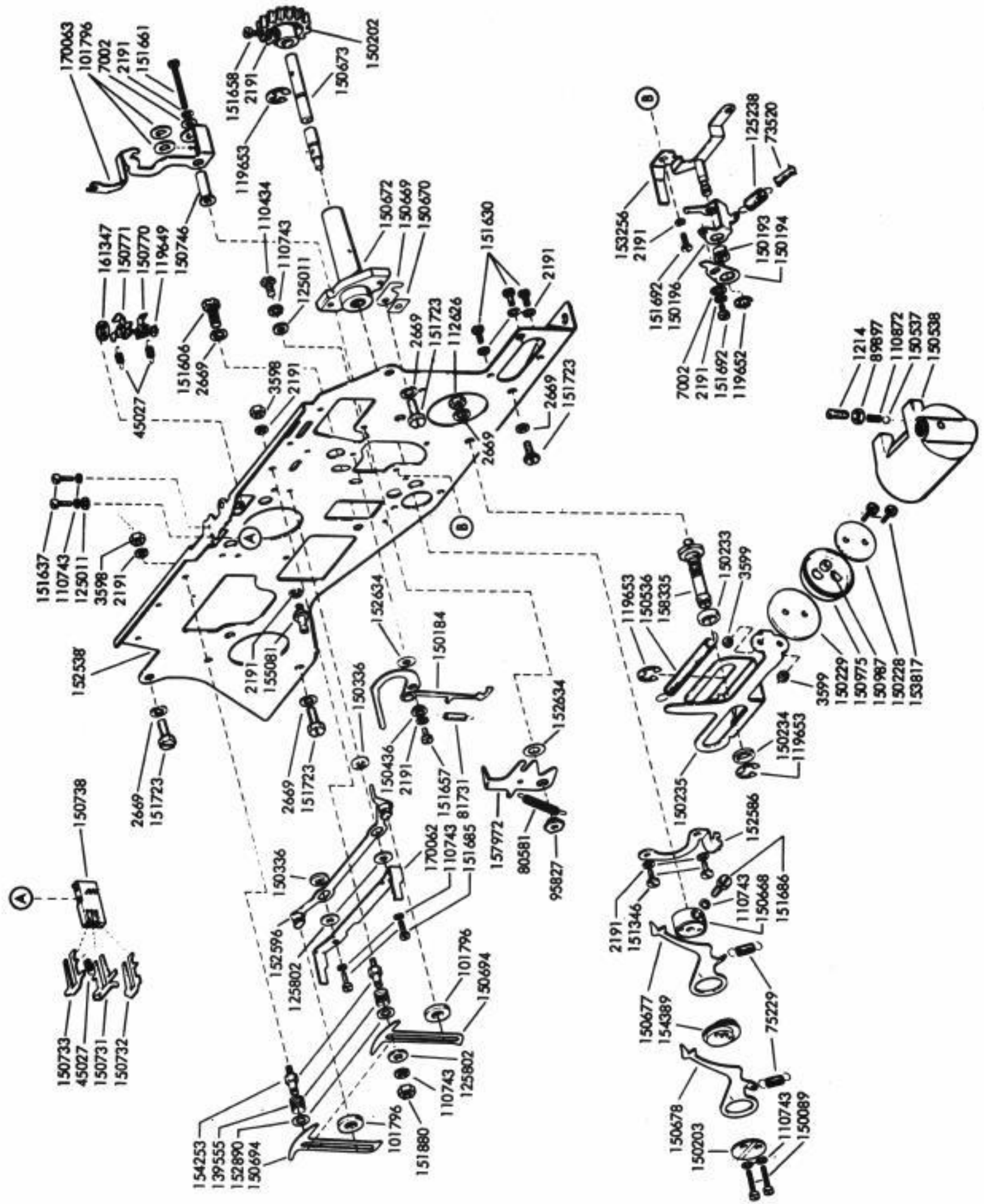


FIGURE 14. FRONT PLATE MECHANISM (Continued)

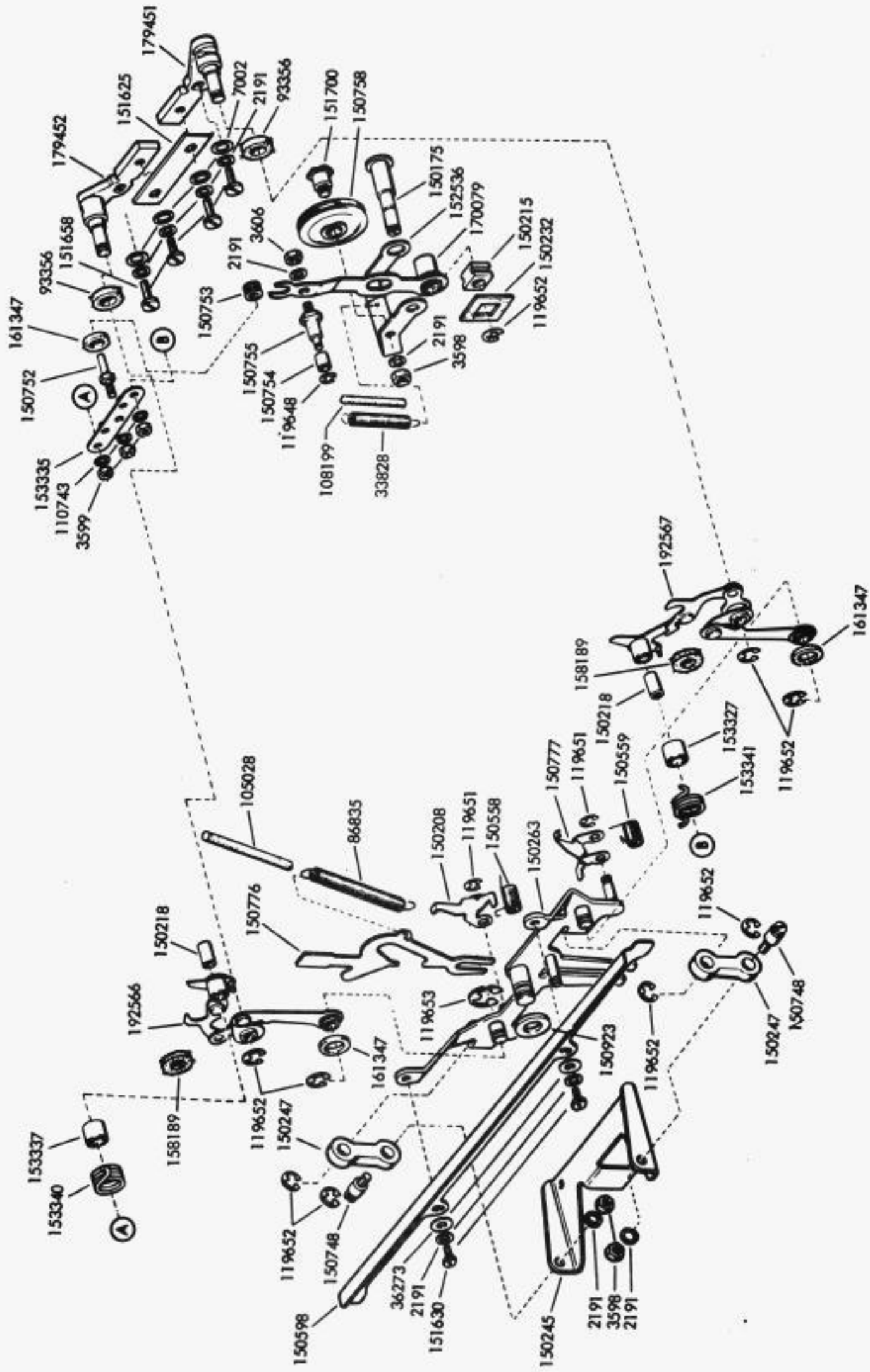


FIGURE 15. FRONT PLATE MECHANISM (Continued)

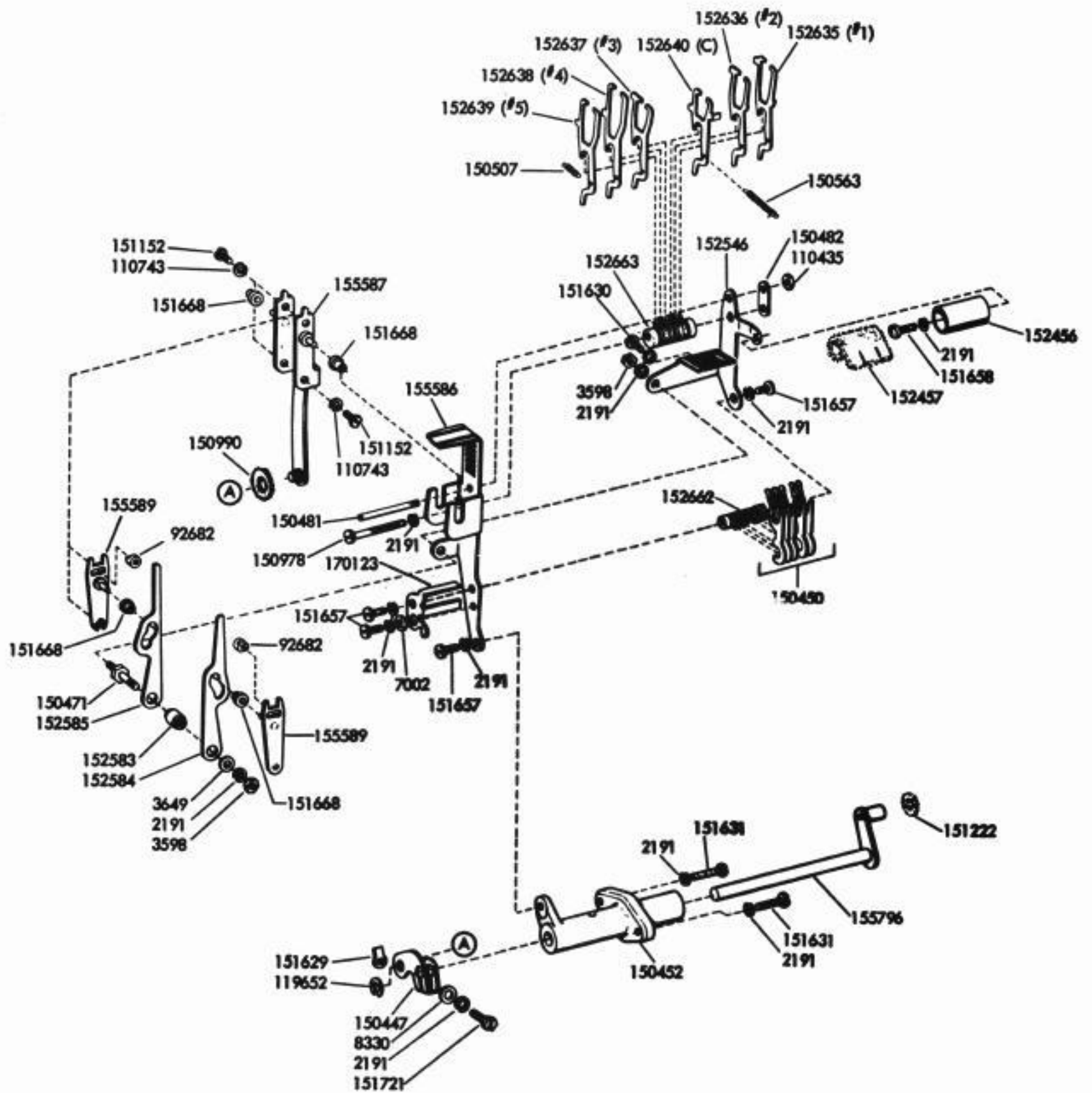


FIGURE 16. CODE BAR POSITIONING MECHANISM

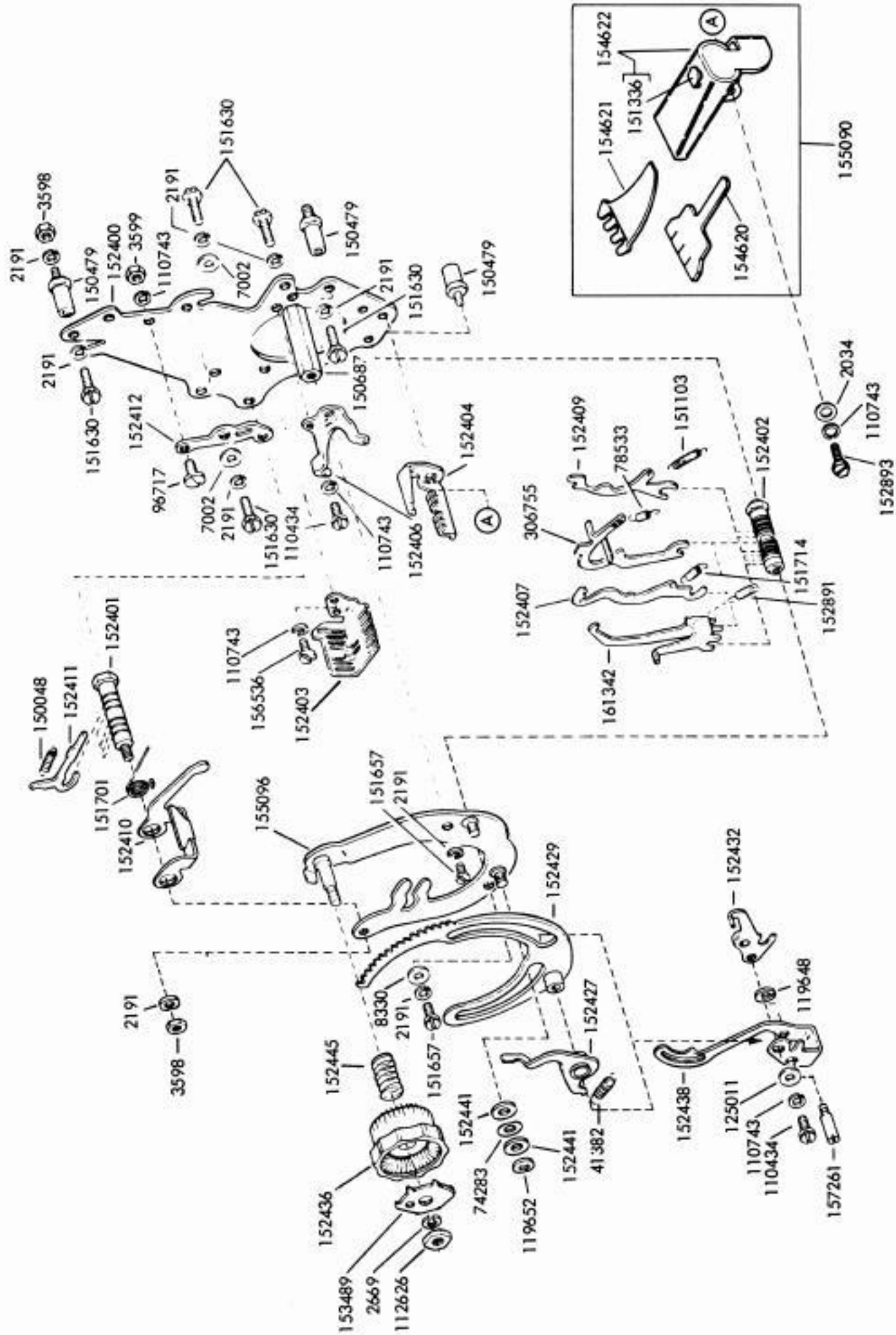


FIGURE 17. SELECTOR MECHANISM

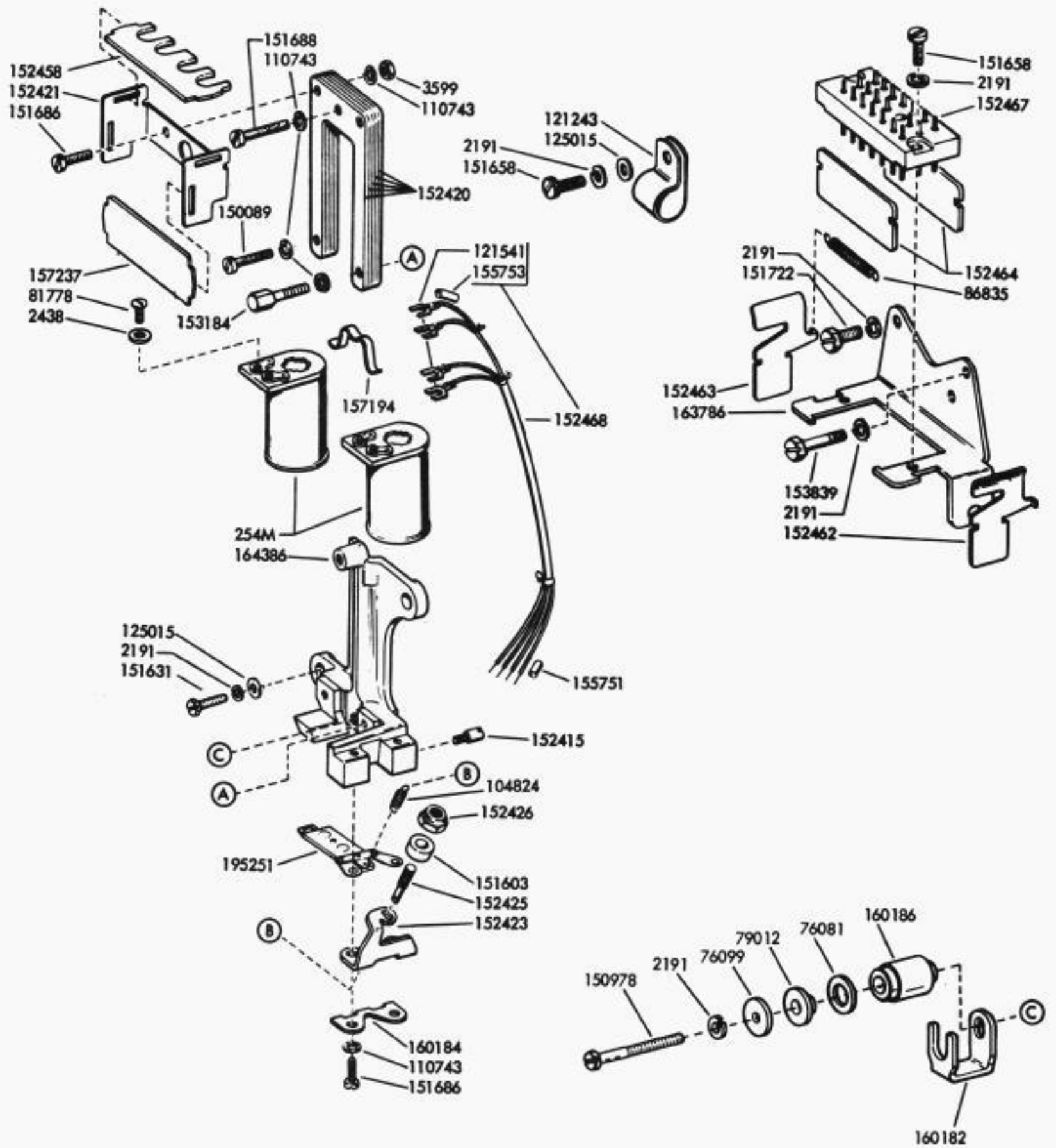


FIGURE 18. SELECTOR MAGNET MECHANISM

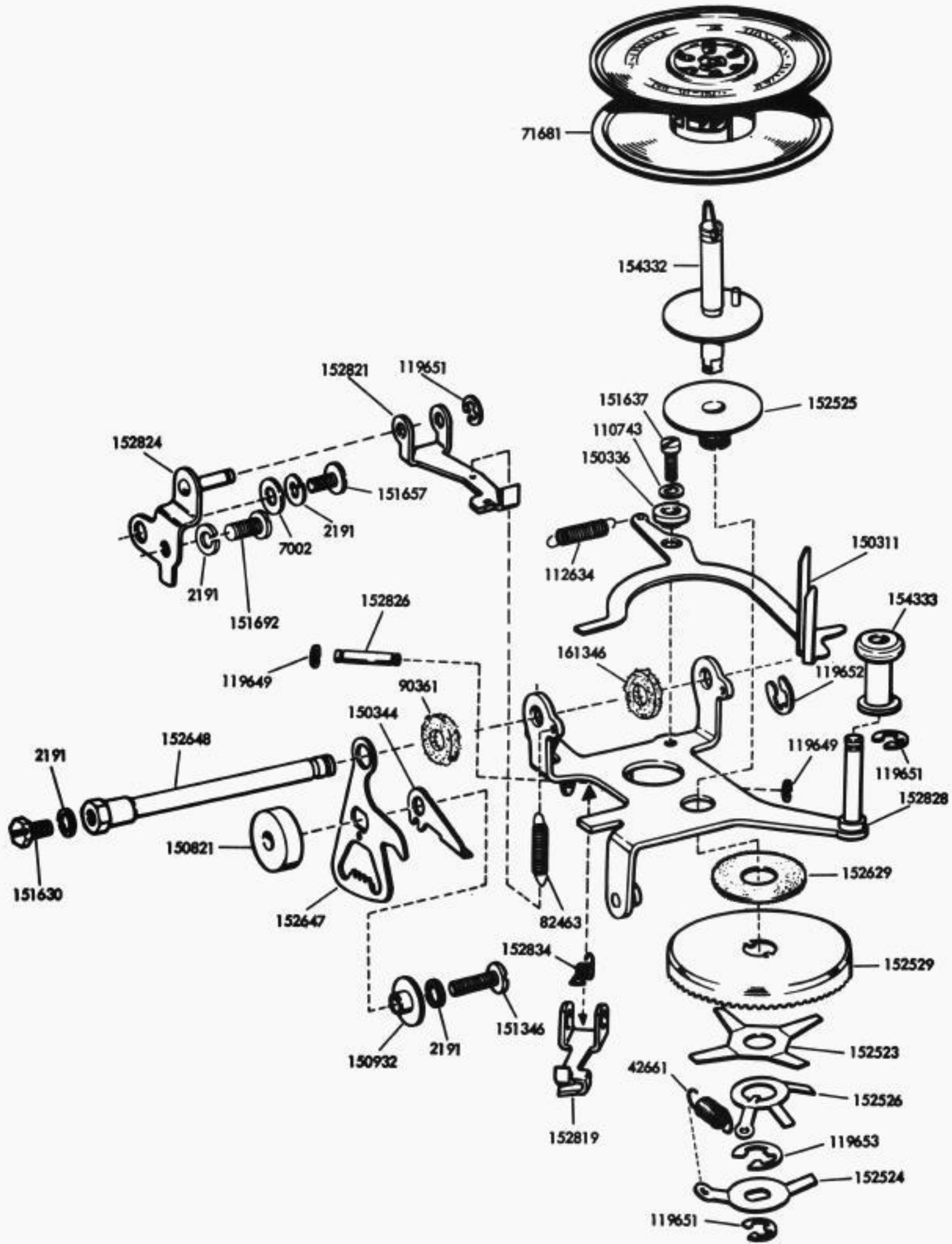


FIGURE 19. RIGHT RIBBON FEED MECHANISM

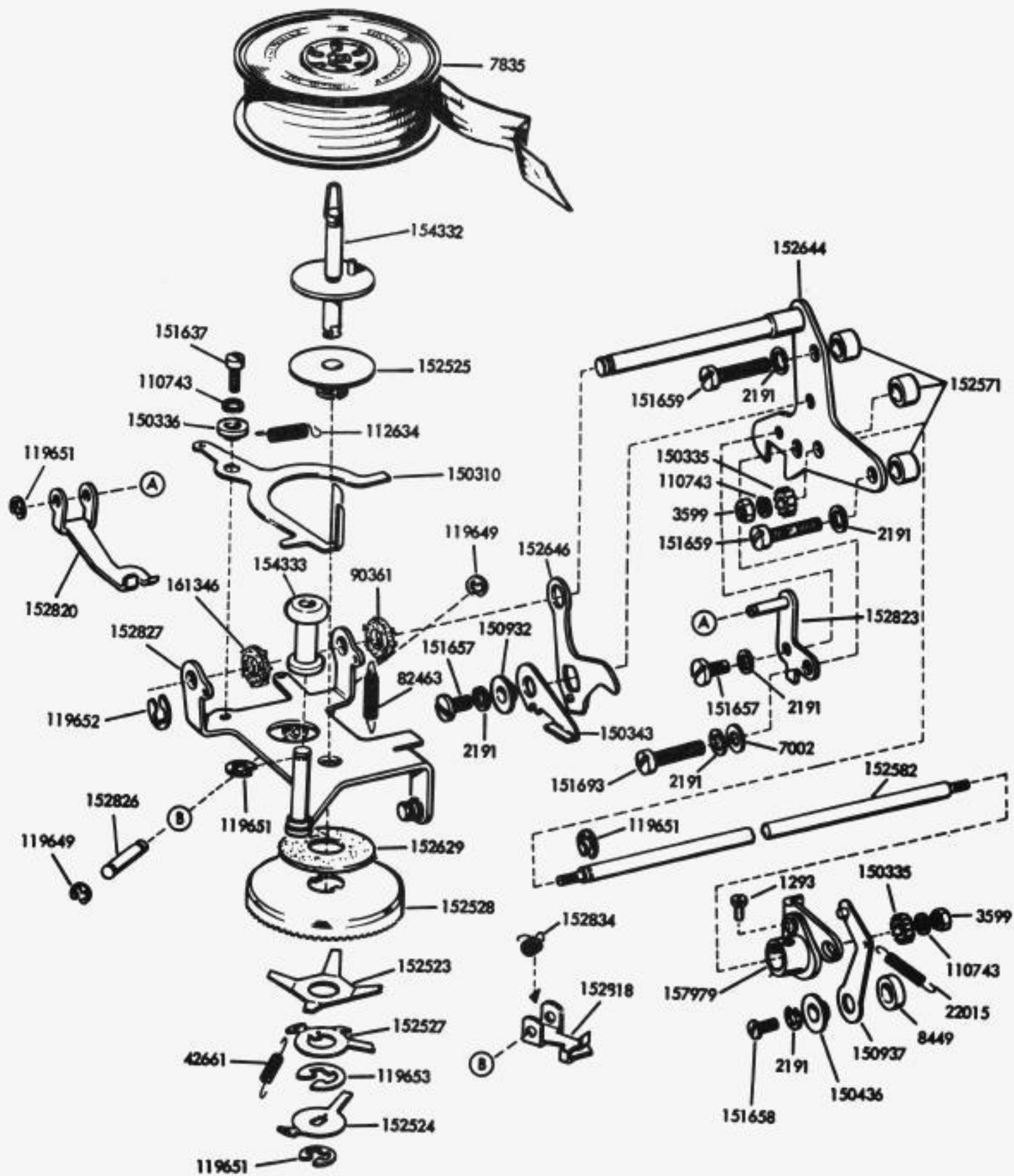


FIGURE 20. LEFT RIBBON FEED MECHANISM

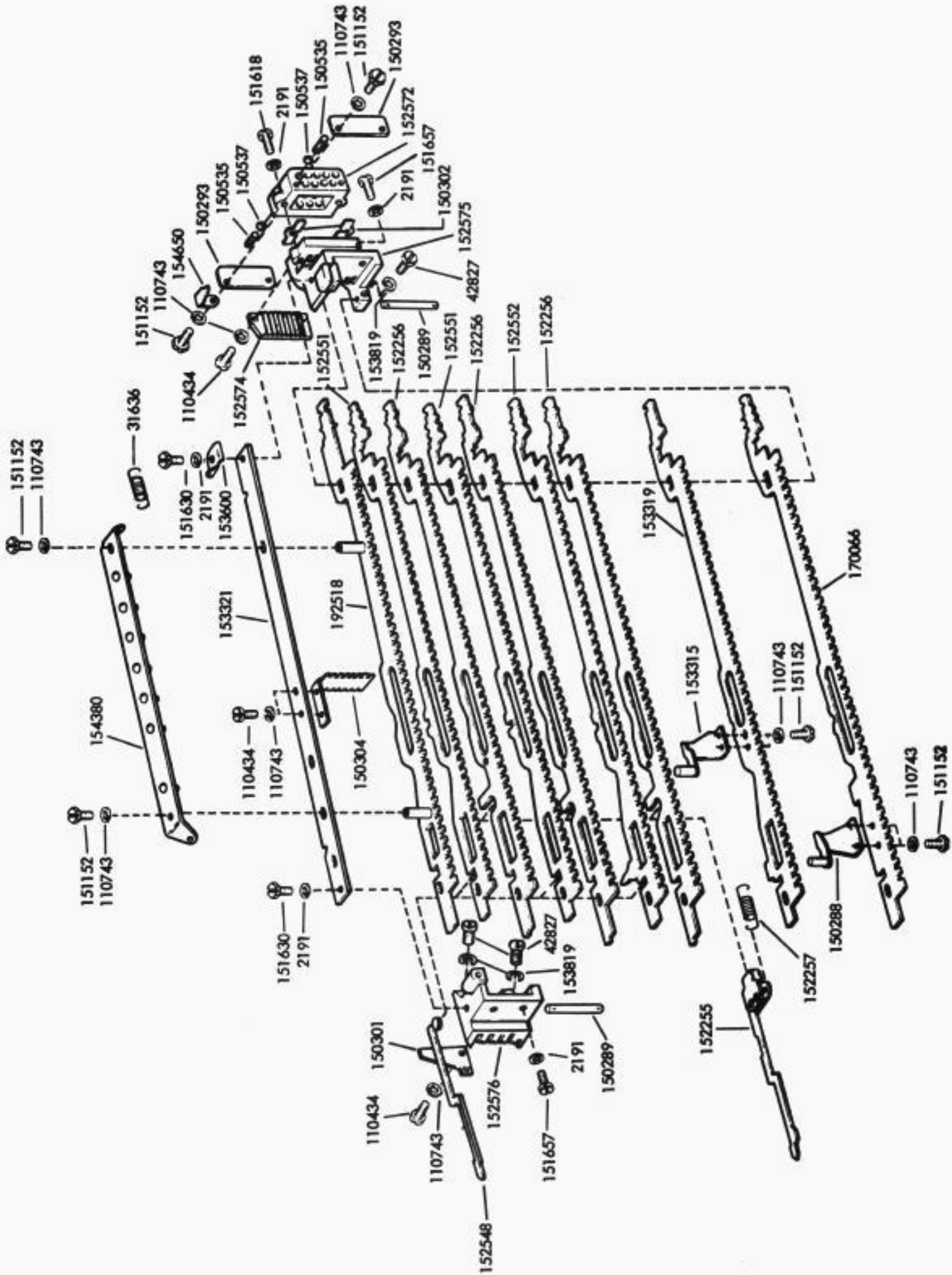


FIGURE 21. CODE BAR MECHANISM

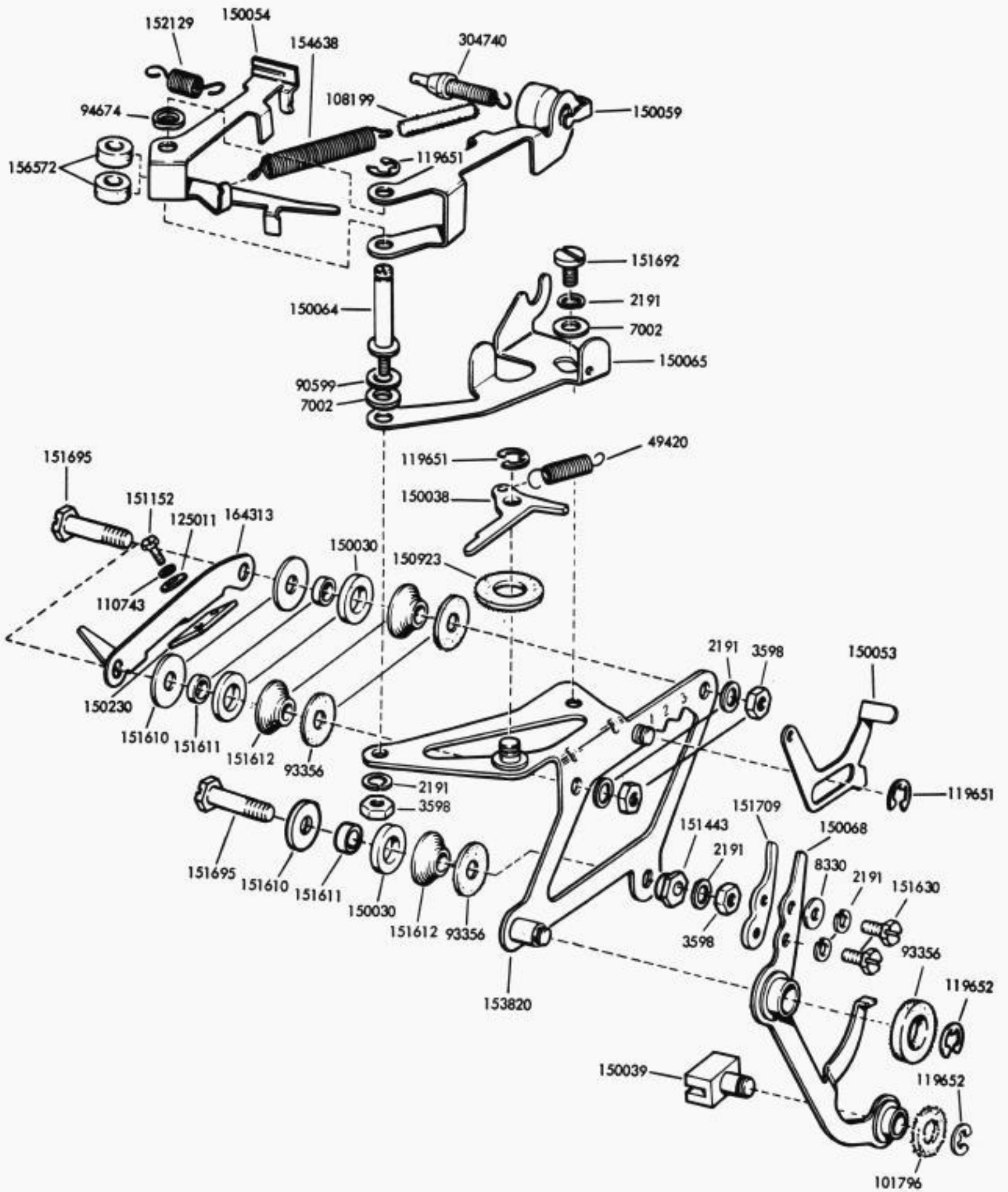
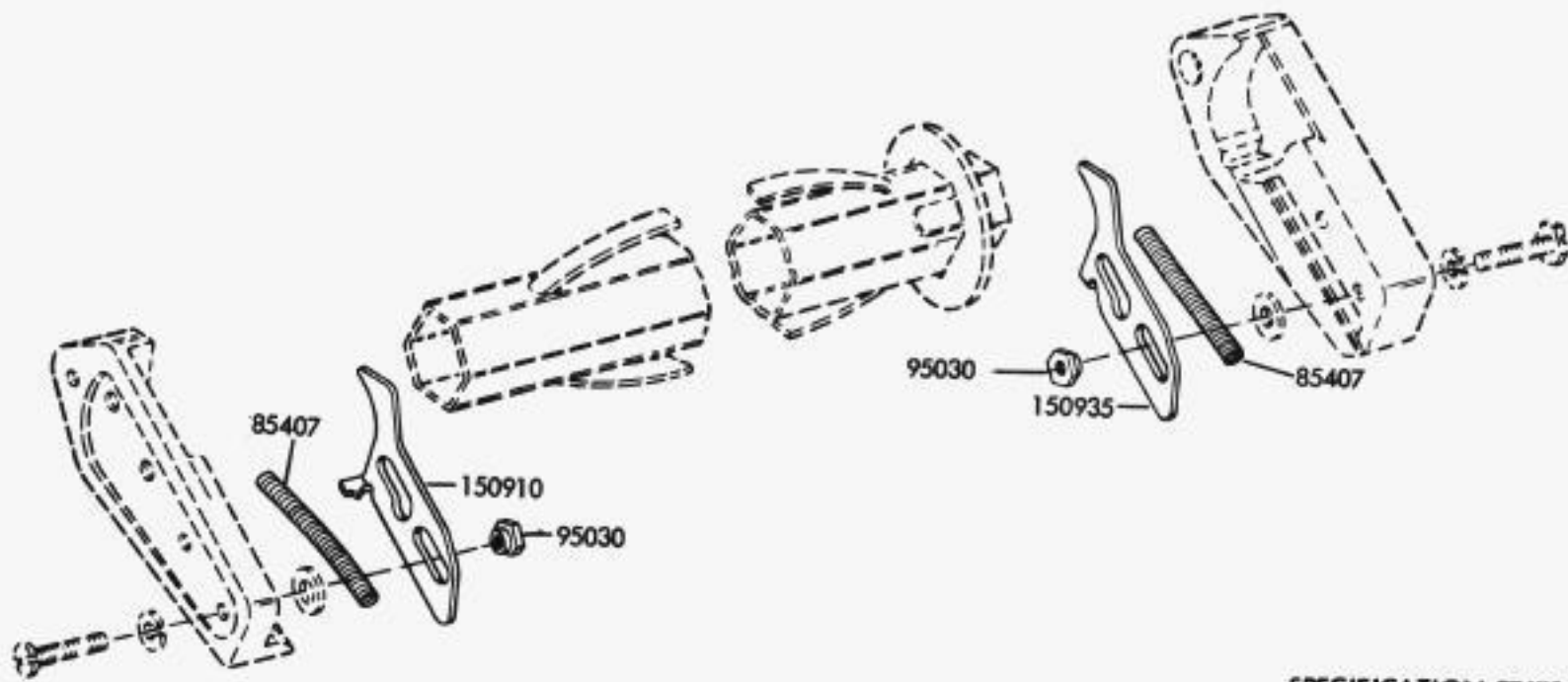
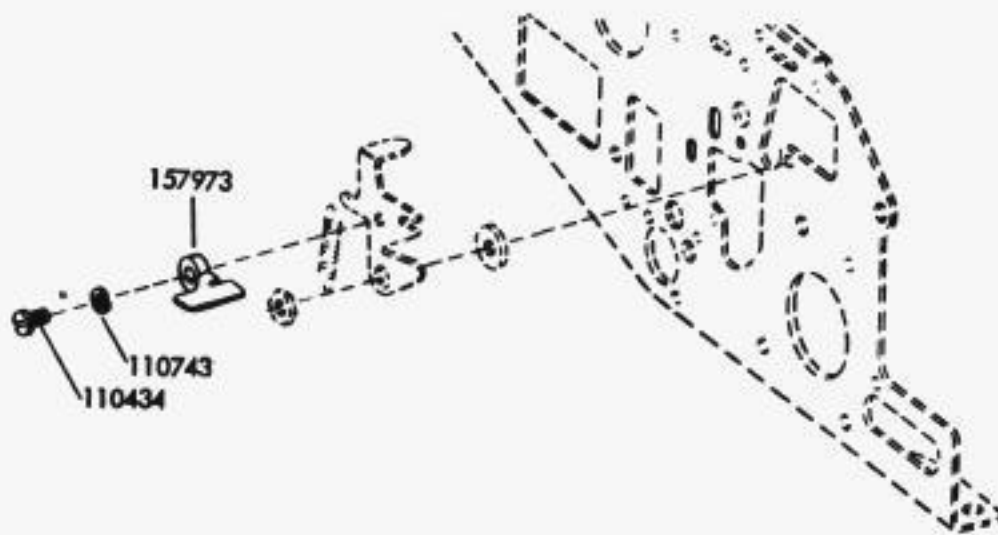


FIGURE 22. PRINTING CARRIAGE MECHANISM



SPECIFICATION 57675

FIGURE 23. 151799 MODIFICATION KIT TO PROVIDE LATCHES FOR PAPER SPINDLE



SPECIFICATION 57835

FIGURE 24. 157514 MODIFICATION KIT TO PROVIDE AUTOMATIC CARRIAGE RETURN AND LINE FEED

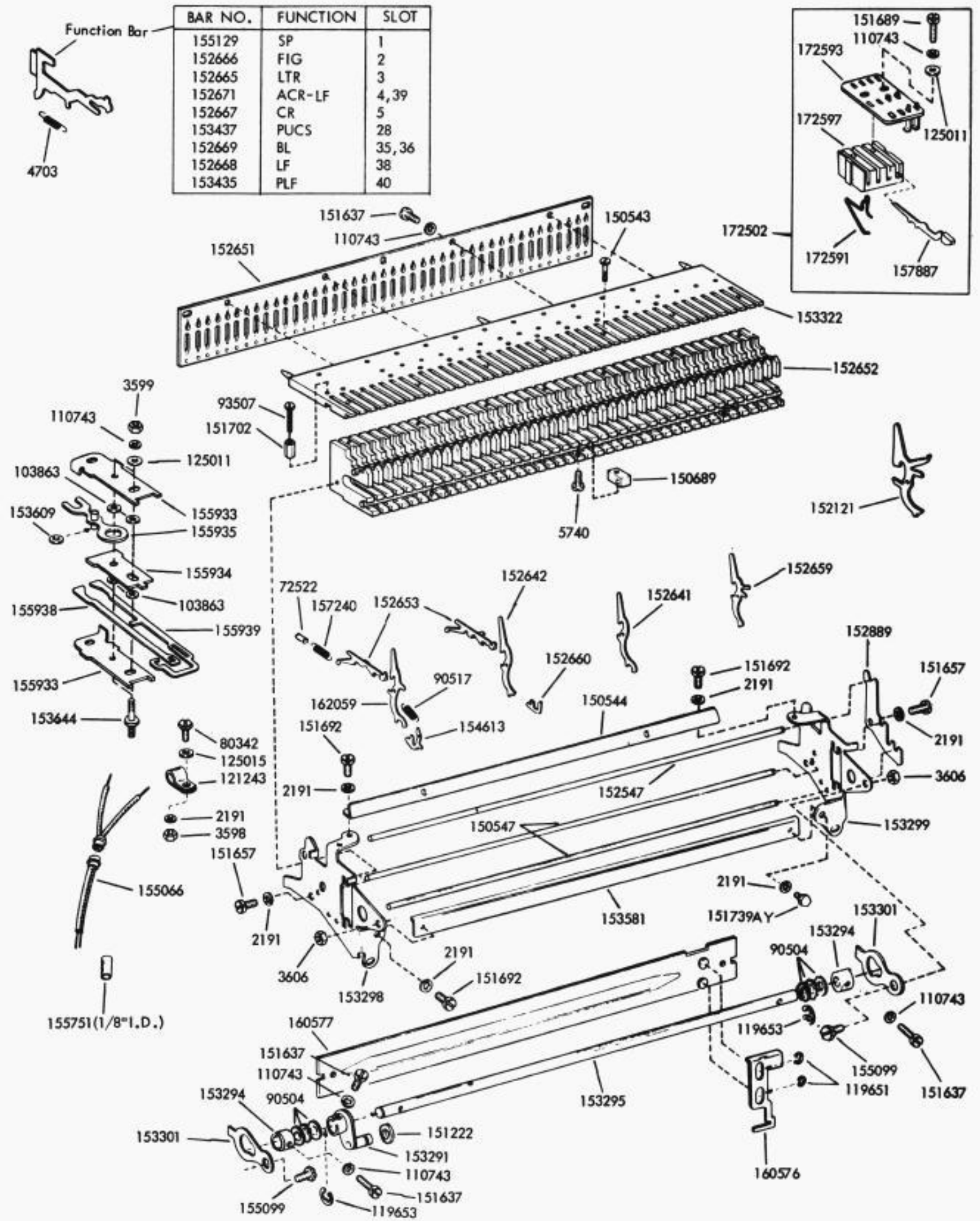


FIGURE 25. 154971 "AY" STUNT BOX ASSEMBLY

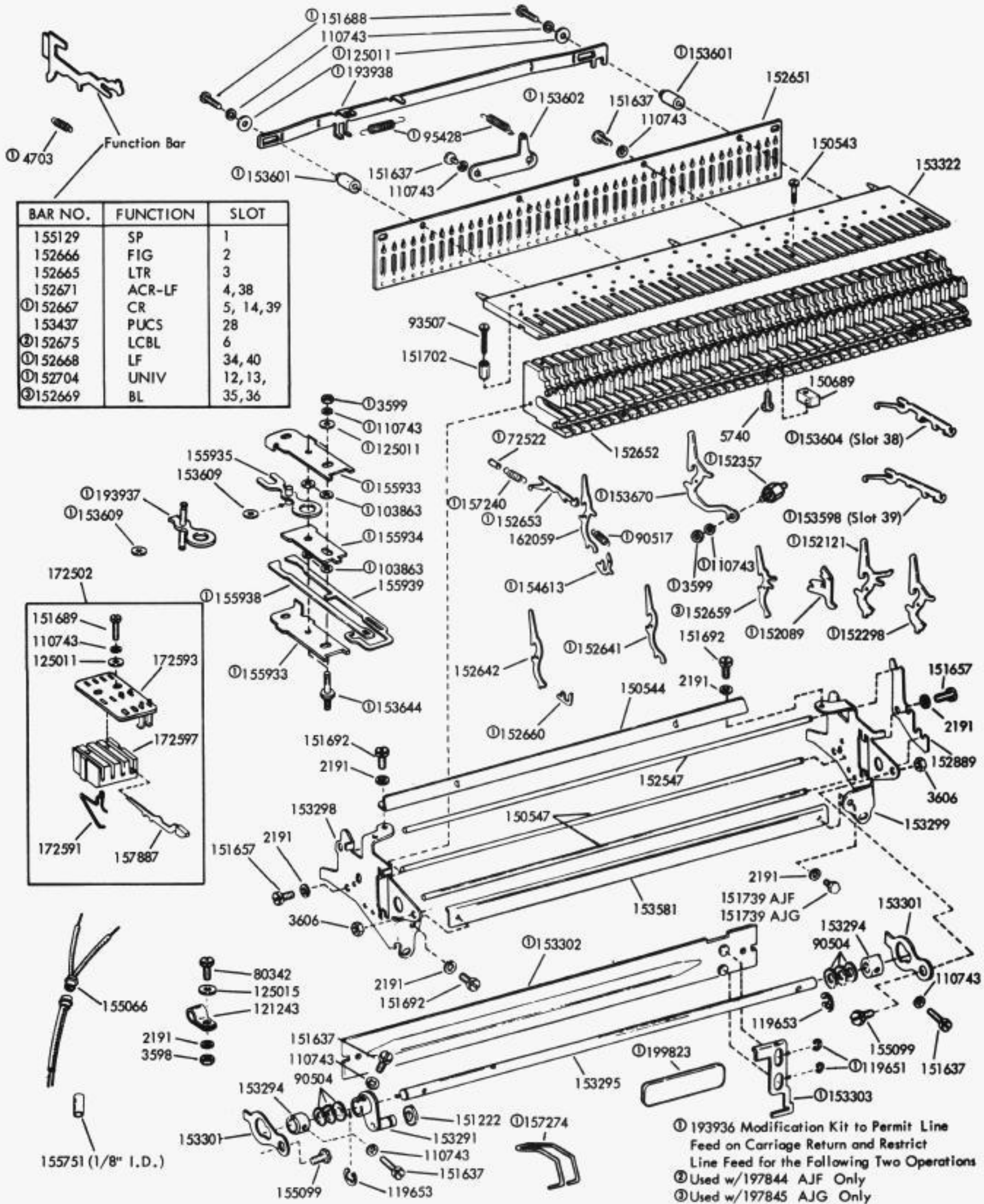
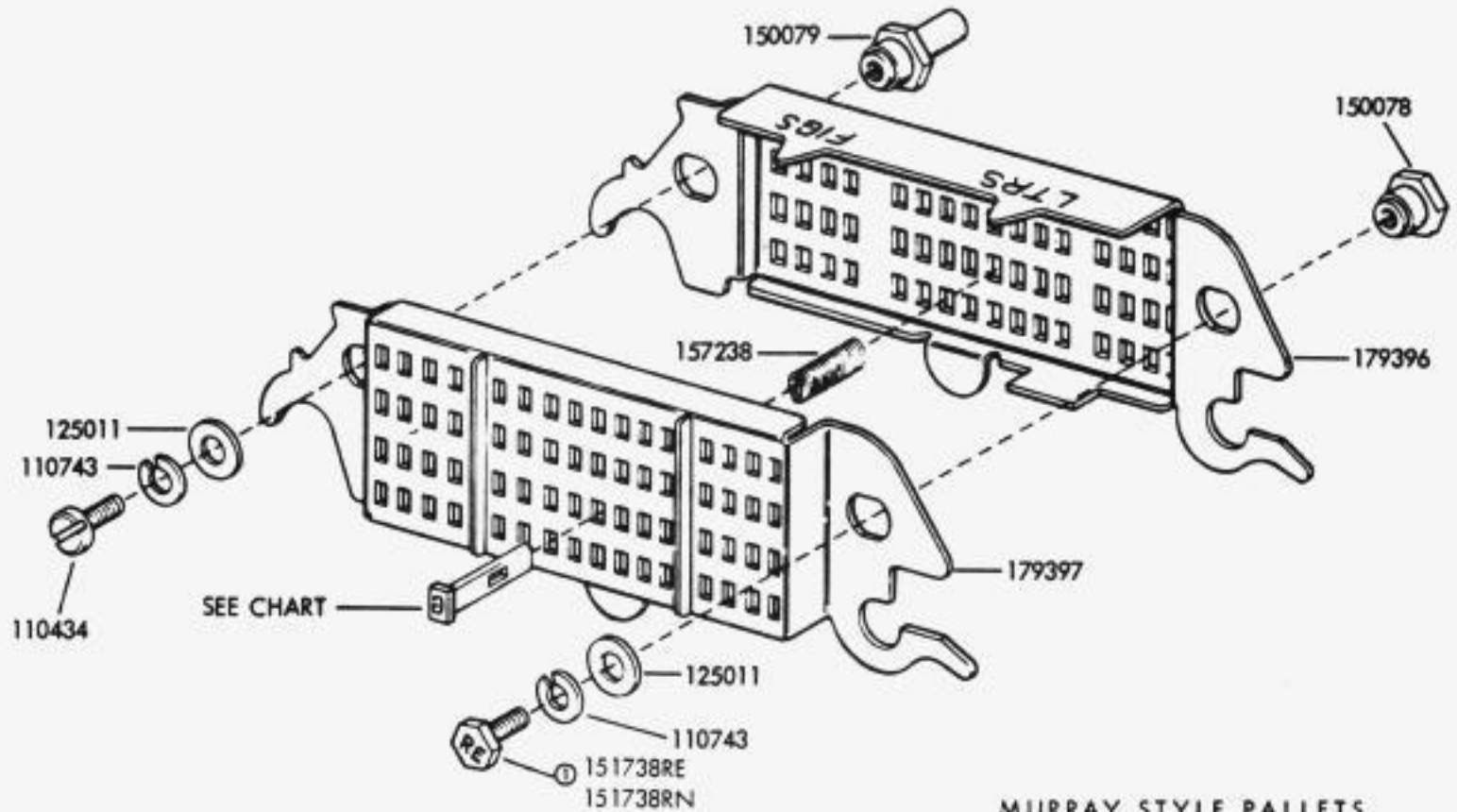
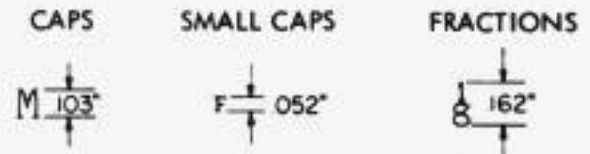


FIGURE 26. 197844 "AJF" AND 197845 "AJG" STUNT BOX ASSEMBLIES



① The two letter suffix indicates a specific type pallet arrangement.

MURRAY STYLE PALLETS
(10 Characters Per Inch Spacing)



MURRAY STYLE PALLETS

PALLET	NUMBER	PALLET	NUMBER
A	157600	S	157618
B	157601	T	157619
C	157602	U	157620
D	157603	V	157621
E	157604	W	157622
F	157605	X	157623
G	157606	Y	157624
H	157607	Z	157625
I	157608	1	157626
J	157609	2	157627
K	157610	3	157628
L	157611	4	157629
M	157612	5	157630
N	157613	6	157631
O	157614	7	157632
P	157615	8	157633
Q	157616	9	157634
R	157617	-	157642

The Above Pallets are Common to all Murray Style Arrangements

TYPE BOX ARRANGEMENTS
(Murray Style Pallets)

PALLET	NUMBER	151683 "RE" / 151938 "RN"		PALLET	NUMBER	151683 "RE" / 151938 "RN"	
∅	157635	X	X	&	157649		X
.	157636	X	X	←	157663	X	
,	157637		X	→	157664	X	
"	157638		X	↓	157665	X	
'	157639		X	↑	157666	X	
;	157640		X	↘	157667	X	
:	157641		X	↙	157668	X	
/	157643	X	X	↖	157669	X	
?	157644		X	↗	157670	X	
)	157645		X	+	157671	X	
(157646		X	○	157672	X	
!	157647		X	⊙	157673	X	
\$	157648		X	⊕	157674	X	
				⊗	157675	X	

FIGURE 27. TYPE BOX AND PALLETS

NUMERICAL INDEX

Part Number	Description and Page Number	Part Number	Description and Page Number	Part Number	Description and Page Number
254M	Coil, Magnet 19	80342	Screw (6-40 x 23/64 Hex) 25, 26	121541	Terminal 19
1214	Screw (10-32 Set) 15	80581	Spring 5, 15	125011	Washer, Flat 3 to 9, 13, 14, 15, 18, 23, 25, 26, 27
1293	Screw (4-40 x 1/8 Fil) 21	81731	Spring 15	125015	Washer, Flat 3, 5, 6, 9, 19, 25, 26
2034	Washer, Flat 18	81778	Screw (4-40 x 3/16 Fil) 19	125238	Spring 15
2191	Washer, Lock 2 to 23, 25, 26	82442	Spring 5	125802	Washer, Flat 7, 15
2201	Nut (5/16-32 Hex) 3	82463	Spring 5, 20, 21	135716	Spring 12
2438	Washer, Flat 19	84575	Spring 5	139555	Spring 15
2539	Nut (3/8-32 Hex) 6, 12	85407	Spring, Compression 24	150000	Drum, Clutch 10, 11
2669	Washer, Lock 2, 5, 6, 8, 9, 13, 15, 18	85816	Wick, Felt 14	150001	Drum, Clutch 11
3598	Nut (6-40 Hex) 3 to 12, 14 to 18, 23, 25, 26	86304	Spring 5	150004	Cam, Code Bar Clutch 11
3599	Nut (4-40 Hex) 3, 4, 12, 14, 15, 16, 18, 19, 21, 25, 26	86835	Spring 16, 19	150010	Plate, Retaining 10
3606	Nut (6-40 Hex) 16, 25, 26	89096	Washer, Felt 14	150013	Disk, Adjusting 10, 11
3640	Washer, Lock 5, 14	89897	Nut (10-32 Hex) 15	150014	Disk, Adjusting 10
3646	Washer, Lock 3	90361	Washer, Felt 5, 8, 9, 20, 21	150021	Clutch Assembly, Code Bar 11
3649	Washer, Flat 17	90490	Shim (.005" Thk) 5	150025	Clutch Assembly, Type Box 10
4586	Washer, Felt 5	90504	Washer, Felt 14, 25, 26	150026	Lever, Shoe Release 10, 11
4703	Spring 25, 26	90517	Spring 25, 26	150027	Lever, Shoe Release 10
5599	Nut (8-32 Hex) 3	90599	Shim (.008" Thk) 23	150029	Wick, Felt 10, 11
5740	Screw (2-56 x 1/4 Fil) 25, 26	90679	Washer, Felt 5	150030	Roller, Bearing 23
6800	Screw, Shoulder (6-40) 12	90791	Washer, Lock 9	150033	Disk, 3 Stop 10
7002	Washer, Flat 2, 4, 5, 8, 9, 11 to 18, 20, 21, 23	90819	Washer, Felt 6, 12	150035	Disk, 3 Stop 10
7036	Collar, Locking 5	92682	Nut (4-40 Spl) 17	150038	Latch 23
7603	Spring 12, 14	93356	Washer, Felt 6, 9, 10, 12, 16, 23	150039	Slide, Printing Arm 23
7835	Ribbon w/Spool, Black 21	93507	Screw (4-40 x 3/4 Hex) 25, 26	150040	Screw (6-40 x 5/8 Fil) 10, 11, 12
8330	Washer, Flat 12, 17, 18, 23	93758	Washer, Felt 5, 12	150043	Shoe, Secondary Clutch 10, 11
8449	Spacer (.094" Thk) 12, 21	93879	Oiler, Felt 5	150044	Shoe, Primary Clutch 10, 11
22015	Spring 21	94674	Washer, Cup 23	150045	Bearing, Clutch Sleeve 10
27425	Screw (2-56 x 5/32 Fil) 9	95030	Nut, Shoulder (6-40) 24	150046	Bearing, Type Box Clutch 10
31636	Spring 22	95428	Spring 26	150047	Bearing, Code Bar Clutch 11
33038	Spring 5	95827	Bushing 15	150048	Spring 18
33828	Spring 8, 9, 16	96717	Screw, Shoulder (4-40) 18	150050	Spacer, Clutch 11
36273	Washer, Flat 3, 16	97481	Wick, Felt 6	150051	Cam, Eccentric 11
41382	Spring 18	101386	Spring 3	150053	Bracket 23
42661	Spring 14, 20, 21	101796	Washer, Felt 5, 9, 15, 23	150054	Bail w/Roller 23
42823	Washer, Flat 10, 11	103863	Spacer (.055" Thk) 25, 26	150056	Arm 11
42827	Screw (3-48 x 1/4 Fil) 22	104824	Spring 19	150059	Bail 23
45027	Spring 15	105028	Wick, Felt 16	150064	Stud 23
49420	Spring 12, 23	107116	Washer, Lock 2, 10	150065	Bracket, Stop 23
70388	Spring 12	108199	Wick, Felt 12, 16, 23	150068	Arm 23
71681	Spool, Ribbon 20	110434	Screw (4-40 x 3/16 Fil) 2, 10, 14, 15, 18, 22, 24, 27	150078	Nut, Shoulder (4-40 Hex) 27
72468	Spring 4	110435	Nut (4-40 Hex) 17	150079	Stud 27
72522	Wick, Felt 25, 26	110437	Spring 12	150089	Screw (4-40 x 1/2 Fil) 15, 19
72579	Washer, Flat 3	110743	Washer, Lock 2, 3, 4, 6 to 11, 13 to 27	150091	Gear (27 T) 10
73175	Washer, Lock 6, 12	110872	Spring, Compression 15	150096	Roller Assembly, Pressure 4
73520	Wick, Felt 15	111355	Spring, Compression 5	150175	Stud 16
73894	Screw (6-40 Set) 4	112626	Nut (10-32 Hex) 2, 5, 8, 9, 13, 15, 18	150184	Link 15
74283	Washer, Spring 18	112634	Spring 20, 21	150193	Hub 15
74536	Screw (6-40 Set) 5	114215	Post, Spring 3	150194	Plate 15
74547	Collar 12	115122	Washer, Felt 8, 9	150196	Bail 15
74553	Wick, Felt 9	119648	Ring, Retaining 9, 16, 18	150197	Stud 13
74701	Spring 4, 12	119649	Ring, Retaining 5, 14, 15, 20, 21	150202	Gear (18 T) 15
74722	Washer, Flat 7	119651	Ring, Retaining 4, 5, 8, 9, 14, 16, 20, 21, 23, 25, 26	150203	Retainer 15
74755	Washer, Felt 13	119652	Ring, Retaining 5, 6, 8, 9, 11, 12, 14 to 18, 20, 21, 23	150206	Spacer (.412") 13
74785	Roller 12	119653	Ring, Retaining 5, 7, 15, 16, 20, 21, 25, 26	150208	Bail, Left 16
74798	Screw (6-40 x 31/64 Fil) 6	119935	Washer, Lock 3	150214	Stud, Bearing 5
74882	Spring 9	120824	Washer, Felt 11	150215	Block, Guide 16
75229	Spring 15	121243	Clamp, Cable (3/16" ID) 19, 25, 26	150218	Bushing 16
76081	Washer, Flat 19	121538	Terminal 2	150219	Screw (4-40 x 1/2 Sq) 14
76099	Washer, Flat 19			150224	Pulley 14
76461	Washer, Flat 14			150225	Rope, Draw Wire 13
78533	Spring 18			150228	Spacer (.035" Thk) 15
79012	Insulator 19			150229	Retainer 15
				150230	Plate 23
				150232	Retainer, Oil 16
				150233	Roller 15

NUMERICAL INDEX (Continued)

Part Number	Description and Page Number	Part Number	Description and Page Number	Part Number	Description and Page Number
150234	Roller 15	150414	Bushing 6	150731	Slide 15
150235	Slide, Transfer 15	150419	Shaft 6	150732	Slide, Bottom 15
150237	Lever, Escapement 14	150420	Lever, Right 9	150733	Slide, Top 15
150241	Spring 10, 11	150423	Stud, Pivot 6	150738	Guide 15
150244	Link 10	150425	Lever, Lock 8, 9	150746	Bushing 15
150245	Bracket 16	150428	Lever, Left 8	150748	Stud 16
150247	Link 16	150429	Stud, Eccentric 8, 9	150750	Plate 14
150251	Wheel, Ratchet 13	150431	Lever, Trip 12	150751	Block, Guide 14
150255	Bushing 14	150436	Bushing 3, 15, 21	150752	Stud 16
150263	Bail 16	150444	Lever, Trip Shaft 12	150753	Roller 16
150265	Shaft 4	150447	Arm 17	150754	Roller 16
150266	Lever, Guide 4	150450	Arm 17	150755	Stud 16
150267	Clamp 4	150452	Bearing 17	150758	Pulley 16
150269	Roller, Pressure 4	150471	Stud 17	150770	Bellcrank 15
150270	Link 4	150479	Stud 18	150771	Bellcrank 15
150271	Arm, Release 4	150481	Shaft 17	150776	Lever, Lock 16
150274	Bracket, Clamp 4	150482	Plate 17	150777	Bail, Right 16
150288	Bracket 22	150507	Spring 17	150781	Stud 5
150289	Stud 22	150535	Spring, Compression 22	150796	Disk 13
150293	Plate, Retaining 22	150536	Spring 15	150798	Ratchet 13
150301	Plate, Retaining 22	150537	Ball, Bearing 15, 22	150800	Stud 14
150302	Shim (.006" Thk) 22	150538	Cylinder, Dashpot 15	150803	Spring, Flat 4
150304	Bracket, Guide 22	150543	Screw (3-48 x 13/32 Fil) 25, 26	150804	Guide, Right Paper 4
150310	Lever, Ribbon 21	150544	Handle 25, 26	150805	Shim (.012" Thk) 14
150311	Lever, Ribbon 20	150545	Bracket, Right 2	150806	Plate 14
150318	Stud 7	150546	Bracket, Left 2	150807	Oiler, Felt 14
150335	Gear (12T) 21	150547	Shaft 25, 26	150809	Gear (32T) 7
150336	Bushing 15, 20, 21	150549	Collar 10	150811	Stud 9
150341	Post, Spring 2	150554	Plate 14	150815	Bushing 4
150342	Screw, Shoulder (6-40) 7	150558	Spring, Torsion 16	150816	Lever 4
150343	Lever 21	150559	Spring, Torsion 16	150821	Spacer (.156" Thk) 20
150344	Lever 20	150563	Spring 17	150824	Track 9
150348	Shaft 12	150585	Bar, Line Feed 7	150826	Guide, Left Paper 4
150349	Arm, Follower 12	150598	Track, Printing 16	150827	Drum, Spring 13
150350	Shaft 12	150642	Bellcrank 7	150830	Bushing, Shoulder 10
150351	Stud, Eccentric 2	150646	Screw, Shoulder (6-40) 7	150831	Ring, Retaining 10
150352	Bushing 12	150647	Eccentric 7	150833	Platen Assembly 7
150353	Stud 2	150648	Eccentric 7	150838	Ring, Retaining 13
150355	Lever, Latch 12	150649	Washer, Spacing 7	150841	Bearing 10
150356	Lever, Trip 12	150650	Bushing 7	150843	Plate, Hook 13
150358	Lever, Trip 12	150651	Gear (28T) 7	150891	Block 9
150361	Spacer (.277" Thk) 12	150652	Screw (4-40 x 37/64 Fil) 7	150895	Arm, Trip 12
150363	Plate 8	150654	Guide 3	150903	Block, Left Paper Spindle 6
150364	Stud, Eccentric 10	150666	Gear (28T) 7	150904	Block, Right Paper Spindle 6
150365	Shaft, Rocker 8	150668	Collar, Spacing 15	150907	Spindle, Paper 6
150366	Bracket 8	150669	Shim (.002" Thk) 15	150909	Screw, Shoulder (6-40) 14
150367	Bracket 9	150670	Shim (.004" Thk) 15	150910	Latch, Right 24
150369	Link, Left 8	150672	Bearing 15	150923	Washer, Felt 12, 16, 23
150370	Link, Right 9	150673	Shaft 15	150926	Washer, Felt 14
150377	Arm 5	150677	Pawl, Feed 15	150927	Oiler, Felt 14
150380	Stud 9	150678	Pawl, Feed 15	150929	Oiler, Felt 14
150382	Block, Guide 8, 9	150685	Plate 4	150930	Washer, Felt 5
150383	Spacer (.149" Thk) 8	150687	Stud 18	150932	Bushing, Shoulder 20, 21
150384	Spacer (.245" Thk) 9	150689	Block, Guide 25, 26	150935	Latch 24
150386	Link, Left Ribbon Drive 8	150694	Slide 15	150937	Lever 21
150387	Link, Right Ribbon Drive 9	150705	Bushing 14	150961	Bushing, Eccentric 3
150392	Bail 5	150709	Spacer 14	150970	Bearing, Ball 10
150395	Screw, Shoulder (6-40) 8, 9	150710	Screw (6-40 x 1-1/4 Fil) 14	150975	Cup, Dashpot 15
150396	Lever, Left 8	150712	Rope, Draw Wire 13	150978	Screw (6-40 x 1-1/8 Fil) 17, 19
150397	Lever, Right 9	150714	Bearing, Sleeve 7	150987	Spacer (.090" Thk) 15
150398	Stud, Pivot 6	150715	Gear (32T) 7	150990	Washer, Felt 6, 17
150399	Shaft 5	150718	Platen 7	150992	Stud 4
150401	Clamp 8	150719	Retainer 7	150998	Spacer (.020" Thk) 7
150410	Stud 8	150720	Retainer 7	151073	Screw (4-40 x 5/32 Fil) 7
150411	Washer, Flat 9	150721	Arm 14	151103	Spring 18
150412	Arm, Left Follower 8	150722	Arm 14	151152	Screw (4-40 x 3/16 Hex) 6, 14, 17, 22, 23
150413	Arm, Right Follower 9	150728	Rail 14	151222	Washer, Felt 17, 25, 26

NUMERICAL INDEX (Continued)

Part Number	Description and Page Number	Part Number	Description and Page Number	Part Number	Description and Page Number
151336	Oiler 18	151880	Nut (4-40 Hex) 9, 15	152537	Clamp 10
151346	Screw (6-40 x 3/8 Fil) 6, 7, 10, 13, 15, 20	151938	Box Assembly, Type (RN) 27	152538	Plate, Front 15
151442	Screw (6-40 x 1/2 Hex) 8	152089	Latch 26	152539	Guide 4
151443	Eccentric 23	152121	Lever, Function 25, 26	152545	Lever 5
151602	Plate 8, 9	152129	Spring 23	152546	Bracket 17
151603	Spacer 9, 19	152140	Bail 5	152547	Shaft 25, 26
151604	Block, Guide 8, 9	152147	Bearing, Ball 9	152548	Bar, Shift 22
151606	Screw (10-32 x 1/4 Hex) 15	152254	Wick, Felt 8, 9	152550	Clamp 8
151610	Washer, Flat 10, 23	152255	Bar w/Retainer 22	152551	Bar, Code (#4 & #5) 22
151611	Bushing 23	152256	Bar, Code 22	152552	Bar, Code (#3) 22
151612	Spacer 23	152257	Spring 22	152563	Bracket 5
151618	Screw (6-40 x 7/16 Fil) 13, 22	152298	Lever, Function 26	152571	Spacer 21
151619	Bushing 13	152357	Stud 26	152572	Bracket 22
151625	Strip 16	152400	Plate, Selector Mounting 18	152573	Retainer 11
151627	Rod 6	152401	Guide 18	152574	Plate 22
151629	Nut (6-40 Lug) 12, 17	152402	Guide, Selector Lever 18	152575	Bracket 22
151630	Screw (6-40 x 1/4 Hex) 2, 3, 5, 9, 10, 11, 14 to 18, 20, 22, 23	152403	Bracket, Guide 18	152576	Bracket 22
151631	Screw (6-40 x 5/16 Hex) 13, 17, 19	152404	Bracket, Guide 18	152579	Track 14
151632	Screw (6-40 x 3/8 Hex) 8, 9, 10, 14	152406	Bracket, Spring 18	152582	Shaft 21
151637	Screw (4-40 x 1/4 Fil) 2, 7, 8, 13, 15, 20, 21, 25, 26	152407	Lever, Spacing Lock 18	152583	Bearing, Sleeve 17
151640	Lever, Shoe Release 11	152409	Lever, Selecting 18	152584	Lever 17
151642	Screw (6-40 x 3/4 Fil) 10, 11	152410	Bail, Reset 18	152585	Lever 17
151644	Spring 8, 9	152411	Lever, Push 18	152586	Bracket 15
151657	Screw (6-40 x 1/4 Fil) 2 to 5, 7, 9, 14, 15, 17, 18, 20, 21, 22, 25, 26	152412	Link 18	152589	Clamp 8
151658	Screw (6-40 x 5/16 Fil) 3, 6, 8, 13, 15, 16, 17, 19, 21	152415	Stud, Adjusting 19	152592	Guide 14
151659	Screw (6-40 x 1/2 Fil) 2, 21	152420	Lamination, Magnet 19	152593	Housing, Bearing 9
151661	Screw (6-40 x 1 Fil) 15	152421	Bracket, Shield Mounting 19	152594	Terminal 13
151668	Roller 17	152423	Bracket, Armature Stop Mounting 19	152595	Slide 14
151683	Box Assembly, Type (RE) 27	152425	Post, Spring 19	152596	Slide, Shift 15
151685	Screw (4-40 x 5/16 Fil) 6, 9, 10, 12, 13, 15	152426	Nut, Self Locking (6-40) 19	152629	Washer, Friction 20, 21
151686	Screw (4-40 x 3/8 Fil) 4, 15, 19	152427	Latch w/Hub 18	152634	Washer, Flat 15
151688	Screw (4-40 x 5/8 Fil) 10, 19, 26	152429	Rack, Sector 18	152635	Lever, Transfer (#1) 17
151689	Screw (4-40 x 3/4 Fil) 4, 11, 25, 26	152432	Arm, Stop 18	152636	Lever, Transfer (#2) 17
151690	Screw (10-32 x 5/16 Fil) 10	152436	Knob, Range Scale 18	152637	Lever, Transfer (#3) 17
151692	Screw (6-40 x 3/16 Fil) 2, 4, 5, 6, 12, 14, 15, 20, 23, 25, 26	152438	Bail, Stop Arm 18	152638	Lever, Transfer (#4) 17
151693	Screw (6-40 x 9/16 Fil) 21	152441	Washer, Flat 18	152639	Lever, Transfer (#5) 17
151695	Screw (6-40 x 5/8 Fil) 23	152445	Spring, Compression 18	152640	Lever, Transfer (#6) 17
151700	Screw, Shoulder (6-40) 16	152450	Cam, Selector 11	152641	Lever, Function 25, 26
151701	Spring, Torsion 18	152453	Clutch Assembly, Selector Cam 11	152642	Lever, Function 25, 26
151702	Nut (4-40 Hex) 25, 26	152456	Holder, Wick 17	152644	Bracket 21
151703	Pin 4	152457	Wick, Felt 17	152646	Lever, Left Reversing 21
151709	Arm 23	152458	Shield, Terminal 19	152647	Lever, Right Reversing 20
151714	Spring 18	152462	Latch, Right 19	152648	Stud 20
151721	Screw (6-40 x 3/4 Hex) 6, 17	152463	Latch, Left 19	152651	Plate, Guide 25, 26
151722	Screw (6-40 x 3/16 Hex) 12, 14, 19	152464	Insulator (.062" Thk) 19	152652	Bar, Guide 25, 26
151723	Screw (10-32 x 3/8 Hex) 15	152467	Connector, Plug Type (20 Pt) 19	152653	Pawl, Function 25, 26
151728	Spring 10, 11	152468	Cable w/Terminals 19	152659	Lever, Function 25, 26
151732	Screw (4-40 x 11/32 Fil) 10	152505	Stud 14	152660	Plate, Spring 25, 26
151734	Screw (4-40 x 3/8 Hex) 9	152507	Roller, Detent 14	152662	Shaft 17
151736	Spring 10	152508	Bracket, Right 14	152663	Guide 17
151737	Screw (4-40 x 11/64 Hex) 10, 11	152509	Bracket, Left 14	152665	Bar, Function 25, 26
151738**	Screw, Identification 27	152510	Lever, Detent 14	152666	Bar, Function 25, 26
151739**	Screw, Identification 25, 26	152511	Guide 14	152667	Bar, Function 25, 26
151794	Washer, Spring 10	152514	Bail 5	152668	Bar, Function 25, 26
151799	Modification Kit 1, 24	152515	Lever, Space Trip 5	152669	Bar, Function 25, 26
		152516	Slide 5	152671	Bar, Function 25, 26
		152518	Bail 5	152675	Bar, Function 26
		152523	Spring, Washer 20, 21	152704	Bar, Function 26
		152524	Bracket 20, 21	152723	Spring 4
		152525	Hub 20, 21	152725	Spring 4
		152526	Plate, Right 20	152726	Bushing 12
		152527	Plate, Left 21	152818	Lever, Left Detent 21
		152528	Ratchet, Left Ribbon 21	152819	Lever, Right Detent 20
		152529	Ratchet, Right Ribbon 20	152820	Lever, Left Feed 21
		152536	Bail 16	152821	Lever, Right Feed 20
				152823	Bracket, Left 21
				152824	Bracket, Right 20

**See pages 25, 26 or 27 for specific letter suffix

NUMERICAL INDEX (Continued)

Part Number	Description and Page Number	Part Number	Description and Page Number	Part Number	Description and Page Number
152826	Pin, Detent 20, 21	153569	Arm, Trip 12	155753	Sleeve, Insulating (1/8 ID x 1/2" Lg) 19
152827	Bracket, Left Spool 21	153573	Bail 6	155755	Sleeve, Insulating (11/64 ID x 5/8" Lg) 2
152828	Bracket, Right Spool 20	153576	Cam, Function 11	155796	Shaft 17
152831	Clip 2	153577	Washer, Felt 6	155864	Shaft, Cam 6
152832	Shaft 4	153581	Handle 25, 26	155865	Stud 6
152834	Spring, Tension 20, 21	153582	Screw, Shoulder (6-40) 5	155933	Plate, Guide 25, 26
152871	Spring 7	153583	Lever, Trip 12	155934	Plate 25, 26
152887	Screw (4-40 x 1/2 Hex) 10, 11	153584	Lever, Latch 12	155935	Fork w/Post 25, 26
152889	Plate, Retaining 25, 26	153586	Guide 2	155938	Slide 25, 26
152890	Washer, Flat 15	153587	Guide 2	155939	Slide 25, 26
152891	Spring 18	153598	Pawl, Function 26	156093	Washer, Felt 7
152893	Screw (4-40 x 1/4 Hex) 5, 8, 18	153600	Bracket, Spring 22	156536	Screw (4-40 x 1/8 Fil) 18
153172	Spring 14	153601	Bushing, Shoulder 26	156572	Washer, Felt 23
153173	Plate, Clamp 14	153602	Plate 26	156574	Post, Spring 3
153174	Link, Left 14	153604	Pawl, Function 26	156632	Screw (6-40 x 13/32 Hex) 13
153175	Link, Right 14	153609	Roller 25, 26	156880	Jumper (2-3/8" Black) 2
153180	Link, Right 14	153634	Collar 4	156881	Jumper (1-1/2" Black) 2
153181	Link, Left 14	153644	Stud 25, 26	157194	Retainer, Spring 19
153183	Slide 14	153670	Lever, Function 26	157237	Shield, Terminal 19
153184	Post 19	153806	Spring 12	157238	Spring 27
153235	Plate 10	153810	Guide, Ribbon 9	157240	Spring 25, 26
153236	Gear (42T) 10	153815	Clutch Assembly, Function 11	157241	Bracket, Roller 6
153255	Bail 5	153817	Screw (4-40 x 3/8 Hex) 14, 15	157261	Shaft, Stop Arm 18
153256	Bracket 15	153819	Washer, Lock 22	157274	Clip 26
153291	Arm 25, 26	153820	Frame, Printing Carriage 23	157289	Bar, Cross 4
153292	Plate 11	153823	Collar 11	157290	Bail, Pressure 4
153293	Spacer, Clutch 11	153824	Clamp 11	157291	Guide, Rear Paper 4
153294	Cam 25, 26	153839	Screw (6-40 x 3/8 Hex) 6, 9, 19	157505	Clutch Asm, Spacing 10
153295	Shaft 25, 26	153841	Screw (6-40 x 9/16 Hex) 8	157506	Clutch Asm, Line Feed 10
153296	Eccentric 11	154127	Nut (6-40 Hex) 3	157514	Modification Kit 1, 24
153298	Bracket, Right 25, 26	154253	Stud 15	157600	
153299	Bracket, Left 25, 26	154310	Spring 13	thru	
153300	Arm 11	154332	Shaft 20, 21	157649	Pallet, Type 27
153301	Arm 25, 26	154333	Roller 20, 21	157663	
153302	Blade, Stripper 26	154354	Slide 14	thru	
153303	Slide, Stripper 26	154356	Bail 9	157675	Pallet, Type 27
153304	Bushing, Shoulder 2	154380	Bracket w/Post 22	157887	Arm, Contact (NO) 25, 26
153305	Spring, Torsion 5	154389	Cam, Eccentric 15	157972	Bellcrank 15
153310	Bail 5	154613	Latch 25, 26	157973	Extension, Transfer 24
153311	Arm 5	154614	Cam, Spacing 10	157979	Link, Toggle 21
153312	Lever 2	154620	Wick, Leather 18	157990	Bracket w/Bearing 5
153314	Bracket 5	154621	Retainer, Wick 18	157991	Stud 5
153315	Bracket 22	154622	Lubricator 18	158189	Washer, Felt 16
153319	Bar, Code 22	154623	Ring, Retaining 13	158335	Stud 15
153321	Bracket, Tie 22	154624	Ring w/Roller 13	158352	Bail, Trip 12
153322	Guide 25, 26	154626	Ring 13	158353	Bail, Stop 12
153323	Ring, Spacer 11	154627	Drum, Spacing 13	158354	Arm, Extension 12
153327	Post, Spring 16	154638	Spring 23	158365	Blade, Reset 6
153335	Plate 16	154645	Spacer 6	159341	Bearing, Ball 8, 11
153337	Bushing 16	154650	Clip 22	159611	Bell 2
153340	Spring, Left Torsion 16	154688	Spring 6	160182	Bracket w/Button 19
153341	Spring, Right Torsion 16	154694	Disk, Clutch Cam 10, 11	160184	Plate, Stop 19
153367	Arm 12	154872	Bracket 2	160186	Bushing, Shoulder 19
153368	Bail, Follower 12	154971	Box Assembly, Stunt (AY) 1, 25	160576	Slide, Stripper 25
153382	Bail, Transfer 5	155044	Spacer 11	160577	Blade, Stripper 25
153383	Arm, Bail Extension 5	155047	Disk 11	161342	Lever, Start 18
153435	Bar, Function 25	155066	Cable 25, 26	161346	Washer, Felt 20, 21
153437	Bar, Function 25, 26	155081	Post, Spring 15	161347	Washer, Felt 6, 15, 16
153442	Screw (10-32 x 7/16 Hex) 6	155090	Lubricator Asm 18	162059	Lever, Function 25, 26
153489	Detent 18	155096	Plate, Range Finder Mounting 18	162573	Retainer 10
153530	Plate 9	155099	Screw, Shoulder (6-40) 25, 26	162728	Arm 5
153531	Plate, Adjusting 9	155129	Bar, Function 25, 26	162729	Bar, Guide 5
153532	Screw, Adjusting (4-40) 9	155586	Bracket 17	163590	Gear (60T) 10
153534	Washer, Flat 3	155587	Link w/Stud 17	163776	Stop 3
153550	Link 6	155589	Plate w/Stud 17	163778	Stud 3
153553	Roller 6	155751	Sleeve, Insulating (1/8 ID x 1" Lg) 2, 19, 25, 26		
153558	Link 6				

NUMERICAL INDEX (Continued)

Part Number	Description and Page Number	Part Number	Description and Page Number	Part Number	Description and Page Number
163783	Lever w/Stud 3	170062	Bail 15	193938	Slide, Blocking 26
163786	Bracket 19	170063	Lever 15	195251	Armature, Selector 19
163787	Bail, Detent 3	170066	Bar, Code 22	195351	Shaft, Main 11
163788	Bracket, Guide 4	170067	Washer, Spacing 11	195352	Bracket, Signal Bell 2
163790	Frame, Right 3	170079	Arm w/Hub 16	195353	Cable 2
163791	Frame, Left 3	170123	Bracket, Retaining 17	195354	Cam, Eccentric 10
163948	Gear (28T) 3	172502	Switch Asm 25, 26	195593	Lever 3
163949	Bushing 3	172591	Spring, Contact Arm 25, 26	195594	Lever 3
163951	Gear w/Shaft (28T) 3	172593	Plate, Contact 25, 26	197844	Box Assembly, Stunt (AJF) 1, 26
163954	Handwheel 3	172597	Block, Contact 25, 26	197845	Box Assembly, Stunt (AJG) 1, 26
163958	Washer, Flat 3	179396	Plate, Front Type Box 27	198584	Insulator, Bell 2
163960	Bushing 3	179397	Plate, Rear Type Box 27	199823	Plate, Identification 26
164219	Arm w/Hub 3	179451	Plate, Right 16	304396	Plate, Stop 3
164220	Spring, Torsion 3	179452	Plate, Left 16	304740	Head, Print Hammer 23
164221	Handwheel Asm 3	192518	Bar, Suppression Code 22	305031	Gear w/Shaft (28T) 3
164313	Bracket 23	192566	Link, Left Drive 16	305033	Handwheel 3
164316	Plate, Clamp 14	192567	Link, Right Drive 16	305050	Handwheel Assembly 3
164386	Bracket, Magnet Mounting 19	193936	Modification Kit 26	306755	Lever, Marking Lock 18
164611	Guard 3	193937	Plate, Shift 26		