

FIGURE	DESCRIPTION	FIGURE
	28 and 29 NONTYPING REPERFORATOR (LRPE)	
1	Two Cycle Detector Control Mechanism	1
2	Double Shift Mechanism	2
3	Single Cycle Detector Mechanism	3
4	Two Cycle Detector Mechanism	4
5	Detector Magnet Mechanism	5
6	Main Rotor Mechanism	6
7	Front Punch Plate Mechanism	7
8	Rear Punch Plate Mechanism	8
9	Punch Block Assembly	9
10	Punch Roll Mechanism	10
11	Roller Roll Mechanism	11
12	Manual Backspace Mechanism	12
13	Power Drive Backspace Motor Drive	13
14	159379 (make only 1 level), 159379 (transfer 2 level) and 159379 (transfer 8 level) Modification Kits to provide Code Reading Contact	14
15	159381, 159377 and 159377 Modification Kits to provide Auxiliary Timing Contact	15
16	15946 Repeater Indicator (make only 1 level) and 159379 and 159379 Modification Kits to provide Non-Interlocking Letter Tape Feed Out	16
17	159380 (lines), 15942 (letters) and 159379 (letters) Modification Kits to provide Control Inter-Interlocking Letter Feed Out	17
18	159379, 159379 (transfer 2 level) and 159379 (transfer 8 level) Modification Kits to provide Non-Interlocking Letter Feed Out	18
19	159379, 159379 (transfer 2 level) and 159379 (transfer 8 level) Modification Kits to provide Non-Interlocking Letter Feed Out	19
20	159379, 159379 (transfer 2 level) and 159379 (transfer 8 level) Modification Kits to provide Non-Interlocking Letter Feed Out	20
21	159379, 159379 (transfer 2 level) and 159379 (transfer 8 level) Modification Kits to provide Non-Interlocking Letter Feed Out	21
22	159379, 159379 (transfer 2 level) and 159379 (transfer 8 level) Modification Kits to provide Non-Interlocking Letter Feed Out	22
23	159379, 159379 (transfer 2 level) and 159379 (transfer 8 level) Modification Kits to provide Non-Interlocking Letter Feed Out	23
24	159379, 159379 (transfer 2 level) and 159379 (transfer 8 level) Modification Kits to provide Non-Interlocking Letter Feed Out	24
25	159379, 159379 (transfer 2 level) and 159379 (transfer 8 level) Modification Kits to provide Non-Interlocking Letter Feed Out	25
26	159379, 159379 (transfer 2 level) and 159379 (transfer 8 level) Modification Kits to provide Non-Interlocking Letter Feed Out	26
27	159379, 159379 (transfer 2 level) and 159379 (transfer 8 level) Modification Kits to provide Non-Interlocking Letter Feed Out	27
28	159379, 159379 (transfer 2 level) and 159379 (transfer 8 level) Modification Kits to provide Non-Interlocking Letter Feed Out	28
29	159379, 159379 (transfer 2 level) and 159379 (transfer 8 level) Modification Kits to provide Non-Interlocking Letter Feed Out	29
30	159379, 159379 (transfer 2 level) and 159379 (transfer 8 level) Modification Kits to provide Non-Interlocking Letter Feed Out	30
31	159379, 159379 (transfer 2 level) and 159379 (transfer 8 level) Modification Kits to provide Non-Interlocking Letter Feed Out	31
32	159379, 159379 (transfer 2 level) and 159379 (transfer 8 level) Modification Kits to provide Non-Interlocking Letter Feed Out	32
33	159379, 159379 (transfer 2 level) and 159379 (transfer 8 level) Modification Kits to provide Non-Interlocking Letter Feed Out	33
34	159379, 159379 (transfer 2 level) and 159379 (transfer 8 level) Modification Kits to provide Non-Interlocking Letter Feed Out	34
35	159379, 159379 (transfer 2 level) and 159379 (transfer 8 level) Modification Kits to provide Non-Interlocking Letter Feed Out	35
36	159379, 159379 (transfer 2 level) and 159379 (transfer 8 level) Modification Kits to provide Non-Interlocking Letter Feed Out	36
37	159379, 159379 (transfer 2 level) and 159379 (transfer 8 level) Modification Kits to provide Non-Interlocking Letter Feed Out	37
38	159379, 159379 (transfer 2 level) and 159379 (transfer 8 level) Modification Kits to provide Non-Interlocking Letter Feed Out	38
39	159379, 159379 (transfer 2 level) and 159379 (transfer 8 level) Modification Kits to provide Non-Interlocking Letter Feed Out	39
40	159379, 159379 (transfer 2 level) and 159379 (transfer 8 level) Modification Kits to provide Non-Interlocking Letter Feed Out	40

FIGURE	CONTENTS	PAGE
1	Single Cycle Selector Clutch Mechanism	3
2	Two Cycle Selector Clutch Mechanism	4
3	Double Shaft Mechanism	5
4	Single Cycle Selector Mechanism	6
5	Two Cycle Selector Mechanism	7
6	Selector Magnet Mechanism	8
7	Main Plate Mechanism	9
8	Front Punch Plate Mechanism	10
9	Rear Punch Plate Mechanism	11
10	Punch Block Assemblies	12
11	Punch Bail Mechanism	13
12	Rocker Bail Mechanism	14
13	Manual Backspace Mechanism	15
14	Power Drive Backspace Mechanism	16
15	159379 (make only 5 level), 162273 (transfer 5 level) and 194066 (transfer 8 level) Modification Kits to Provide Code Reading Contacts	17
16	159381, 162271 and 194167 Modification Kits to Provide Auxiliary Timing Contacts	17
17	158946 Reperforator Transmitter Unit Cable Assembly	17
18	162379 and 163347 Modification Kits to Add Automatic Non-Interfering Letters Tape Feed Cut	18
19	162380 (blank), 173443 (letters) and 176628 (letters) Modification Kits to Add Remote Control Non-Interfering Tape Feed Out	19
20	162379, 163347 (automatic letters) and 162380, 173443 and 176628 (remote control letters) Modification Kits to Add Non-Interfering Tape Feed Out	20
21	162379, 163347 (automatic), 162380 (blank), 173443 and 176628 (remote control letters) Modification Kits to Add Non-Interfering Tape Feed Out	21
22	Verifier Contact Mechanism to Verify Six Characters After Perforation	22
23	Verifier Contact Mechanism to Verify Six Characters After Perforation (continued)	23
24	Verifier Contact Block Mechanism	24
25	Early Design Shaft Mechanism for 5 Level Units	25
26	Early Design Tape Guide	26
27	Keyboard Reperforator Unit Cable Assembly	26
28	174439 (less cam), 176420 and 176421 (with cams) Modification Kits to Add Timing Contact Mechanism to 5 Level Single Cycle Units	27
29	Chad Chutes	28
	Numerical Index	29

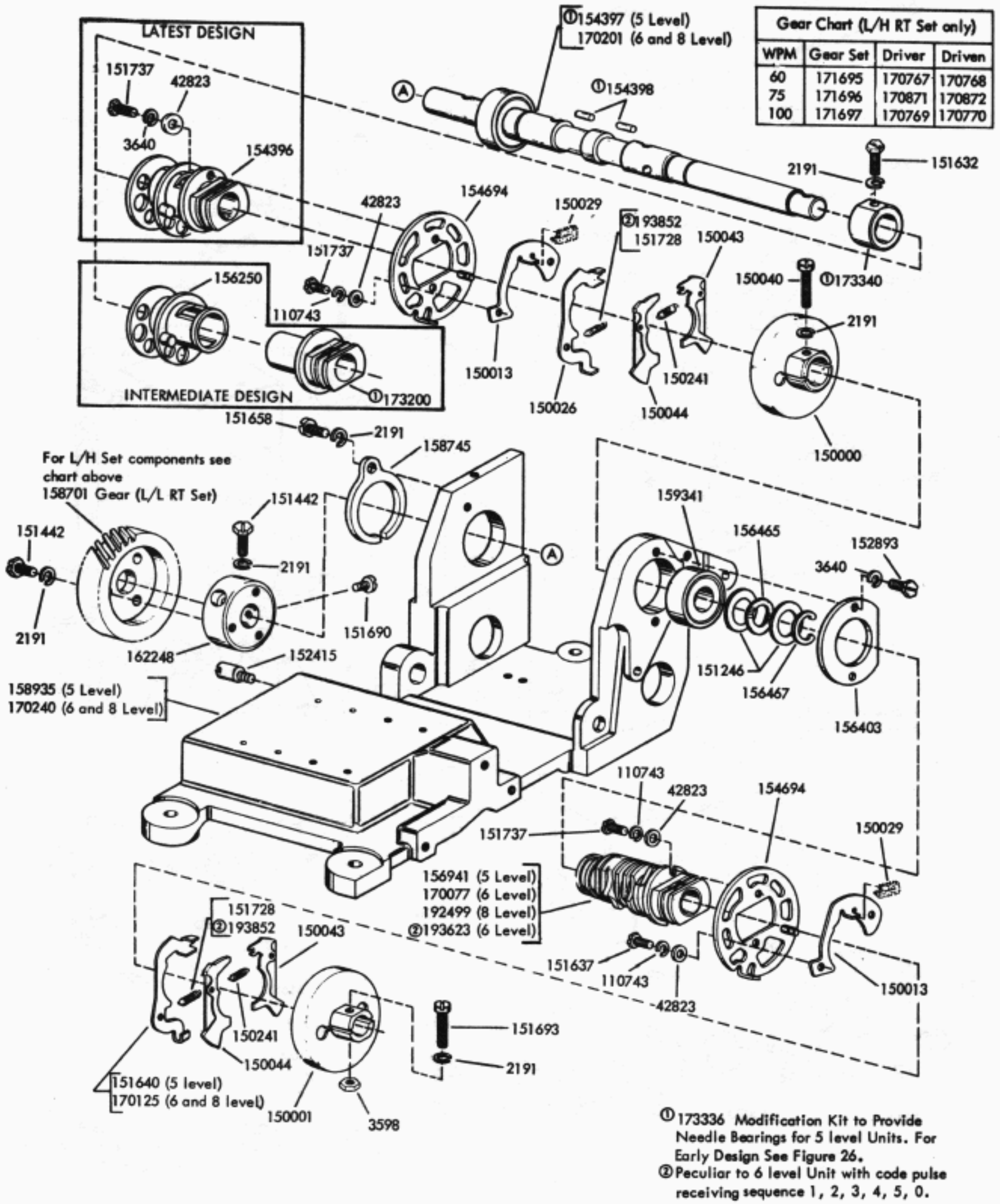


FIGURE 1. SINGLE CYCLE SELECTOR CLUTCH MECHANISM

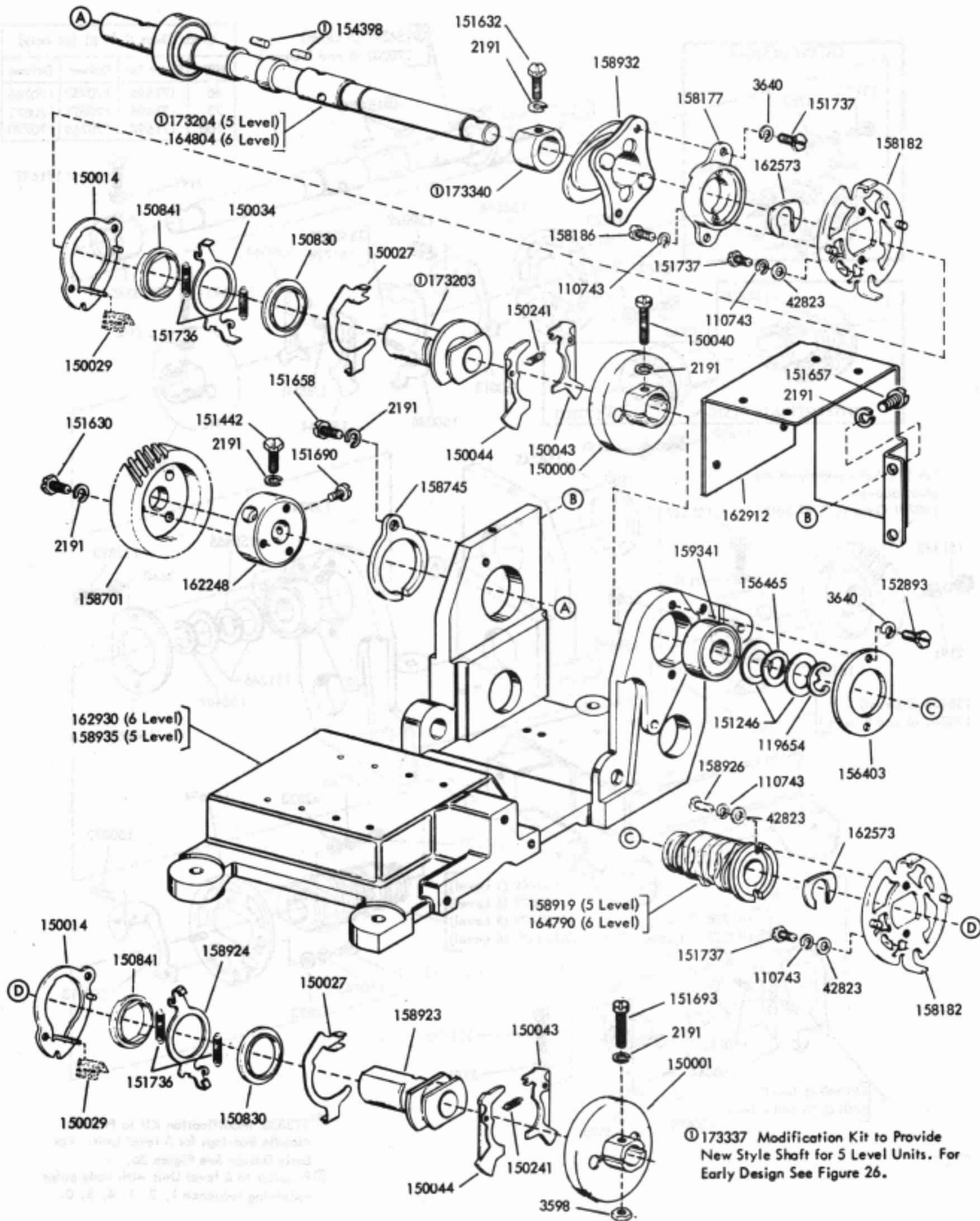


FIGURE 2. TWO CYCLE SELECTOR CLUTCH MECHANISM

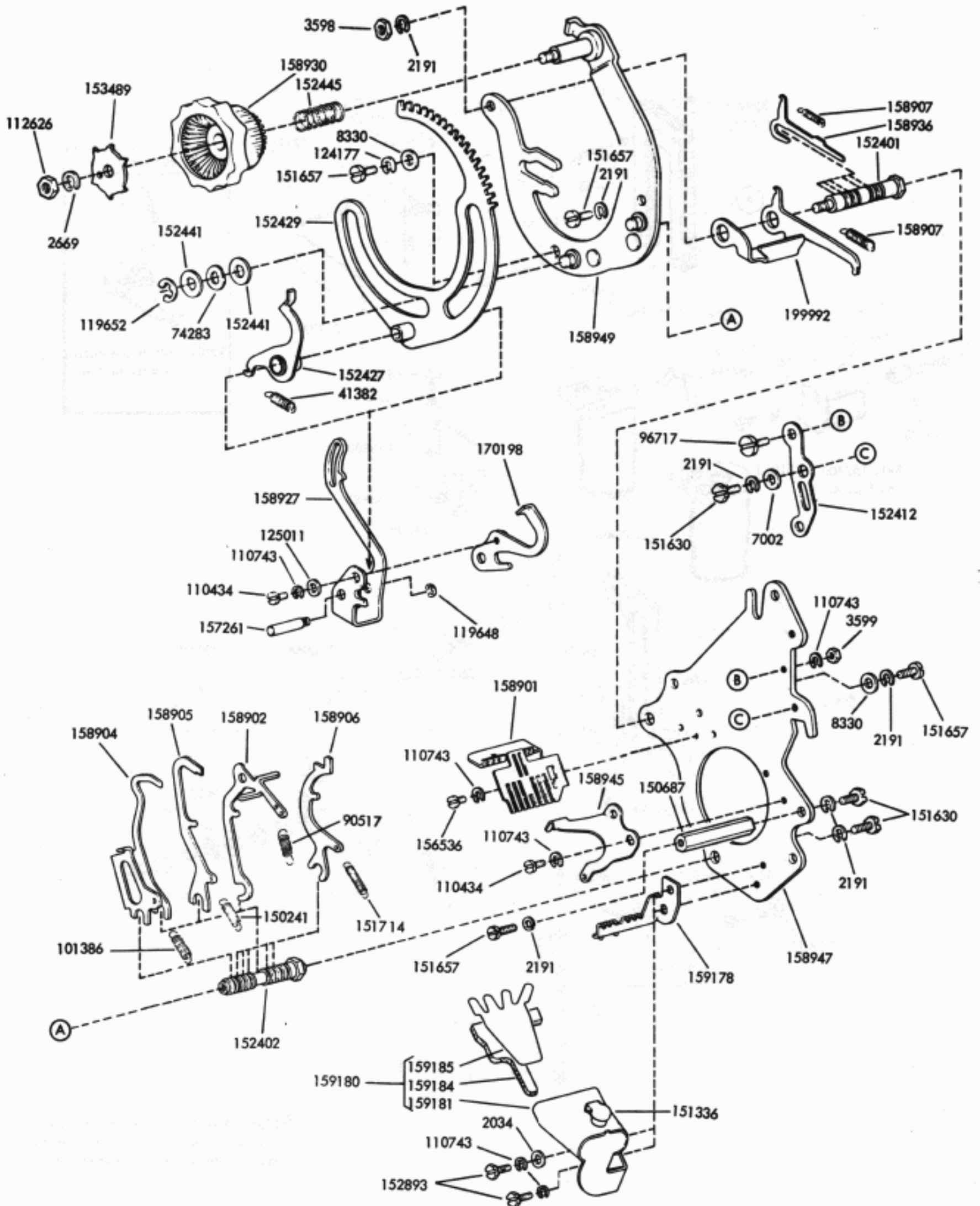
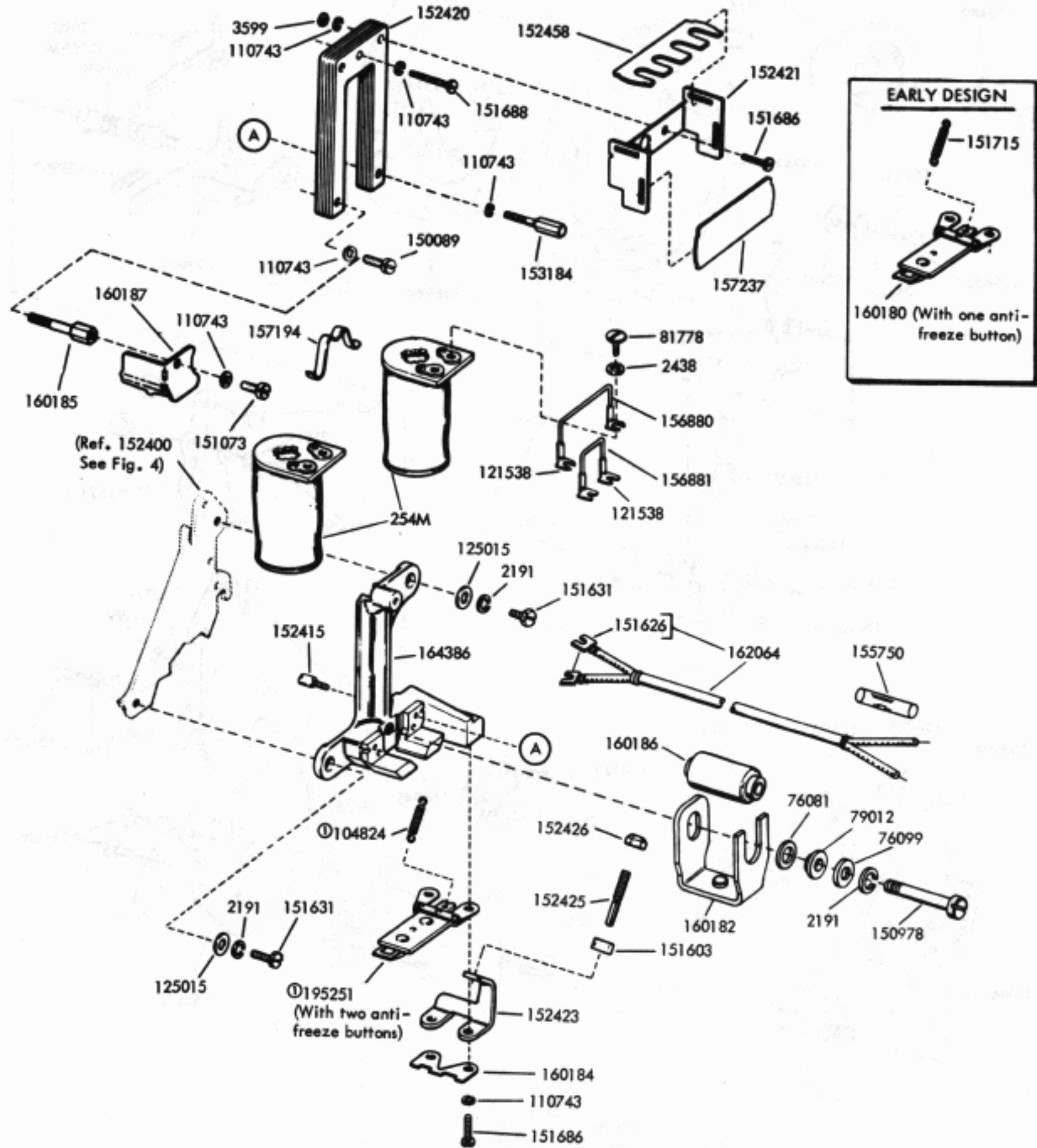


FIGURE 5. TWO CYCLE SELECTOR MECHANISM



ⓐ 195634 Modification Kit to provide quick release of the armature. (New and Early design parts are interchangeable in pairs only).

FIGURE 6. SELECTOR MAGNET MECHANISM

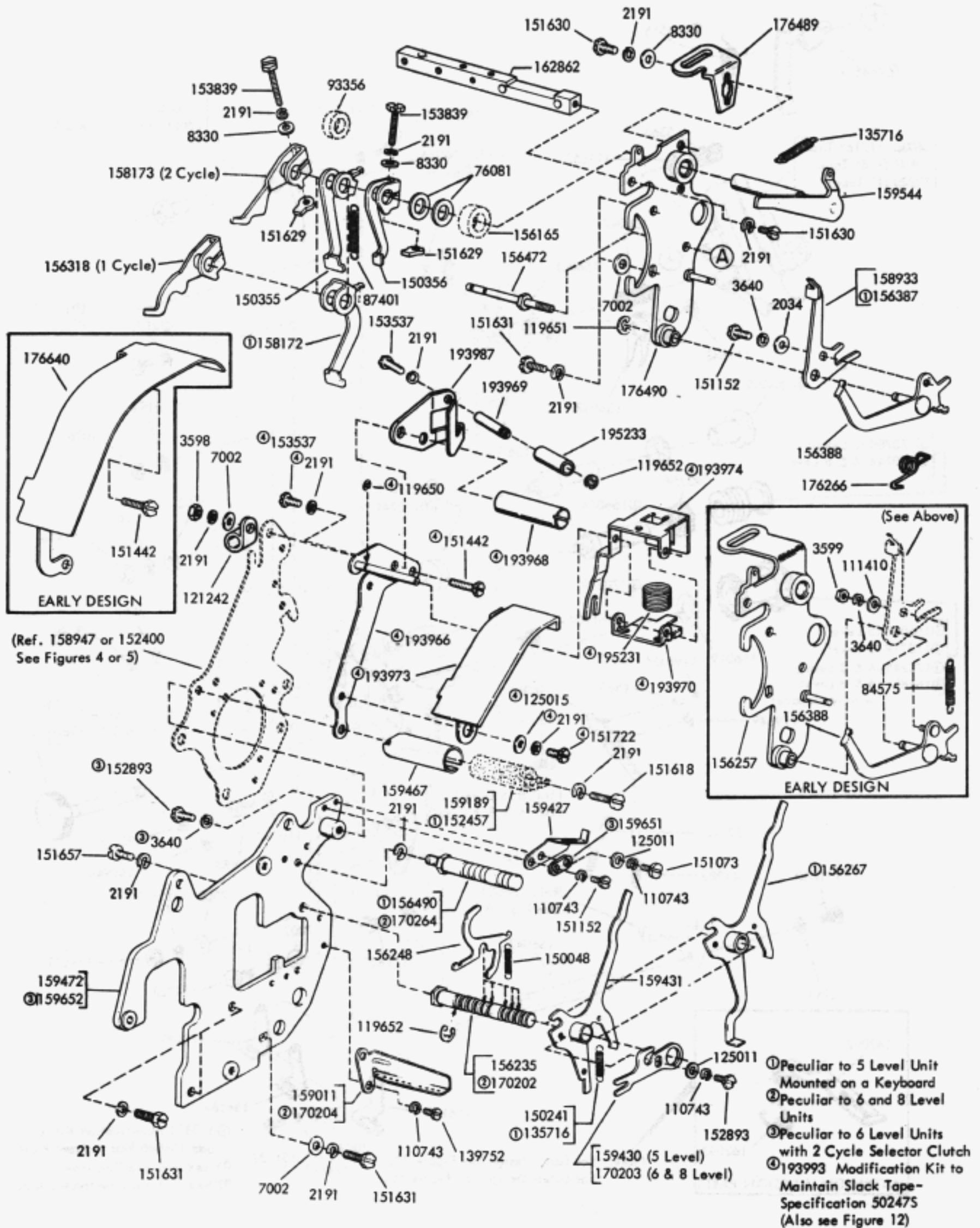


FIGURE 7. MAIN PLATE MECHANISM

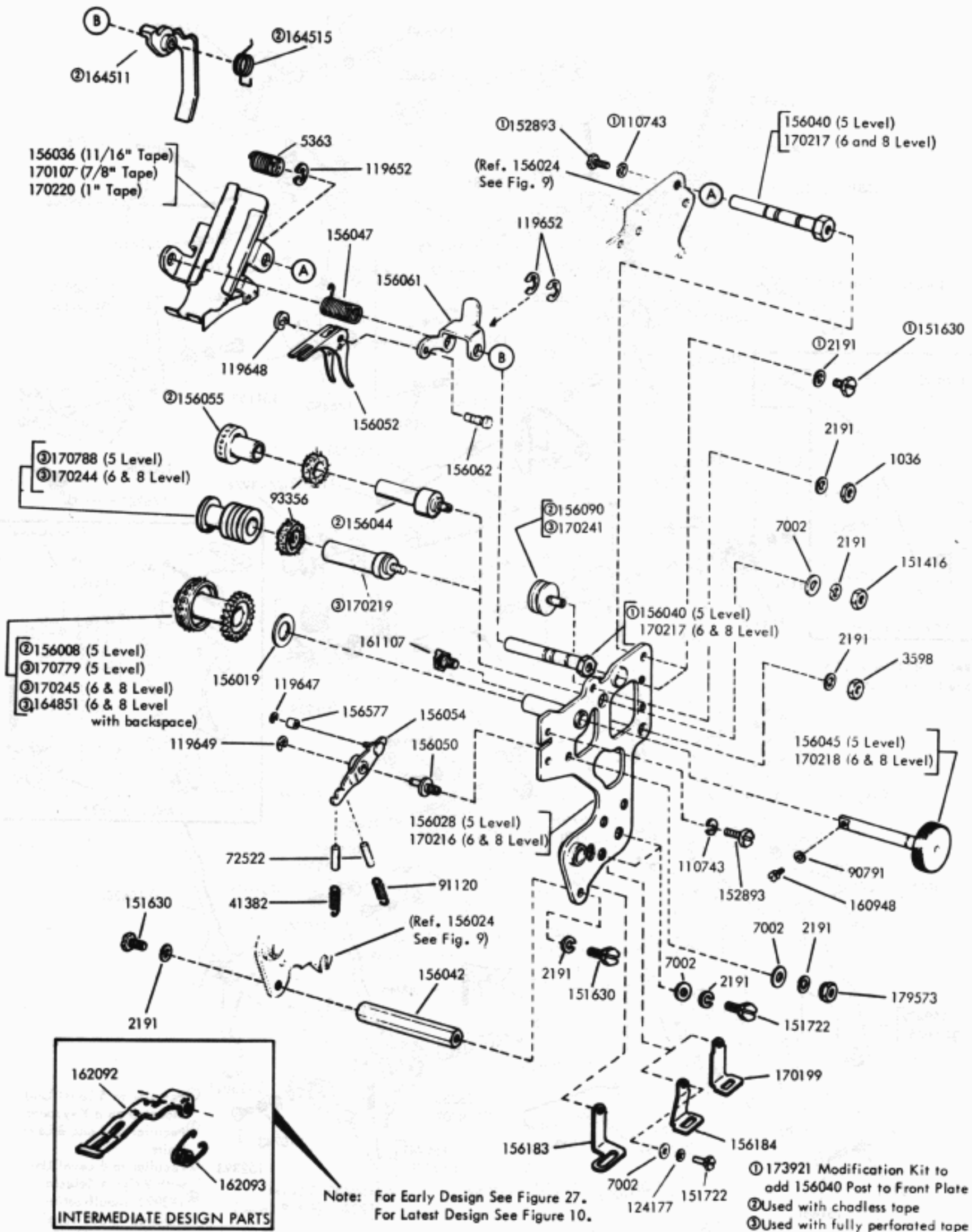
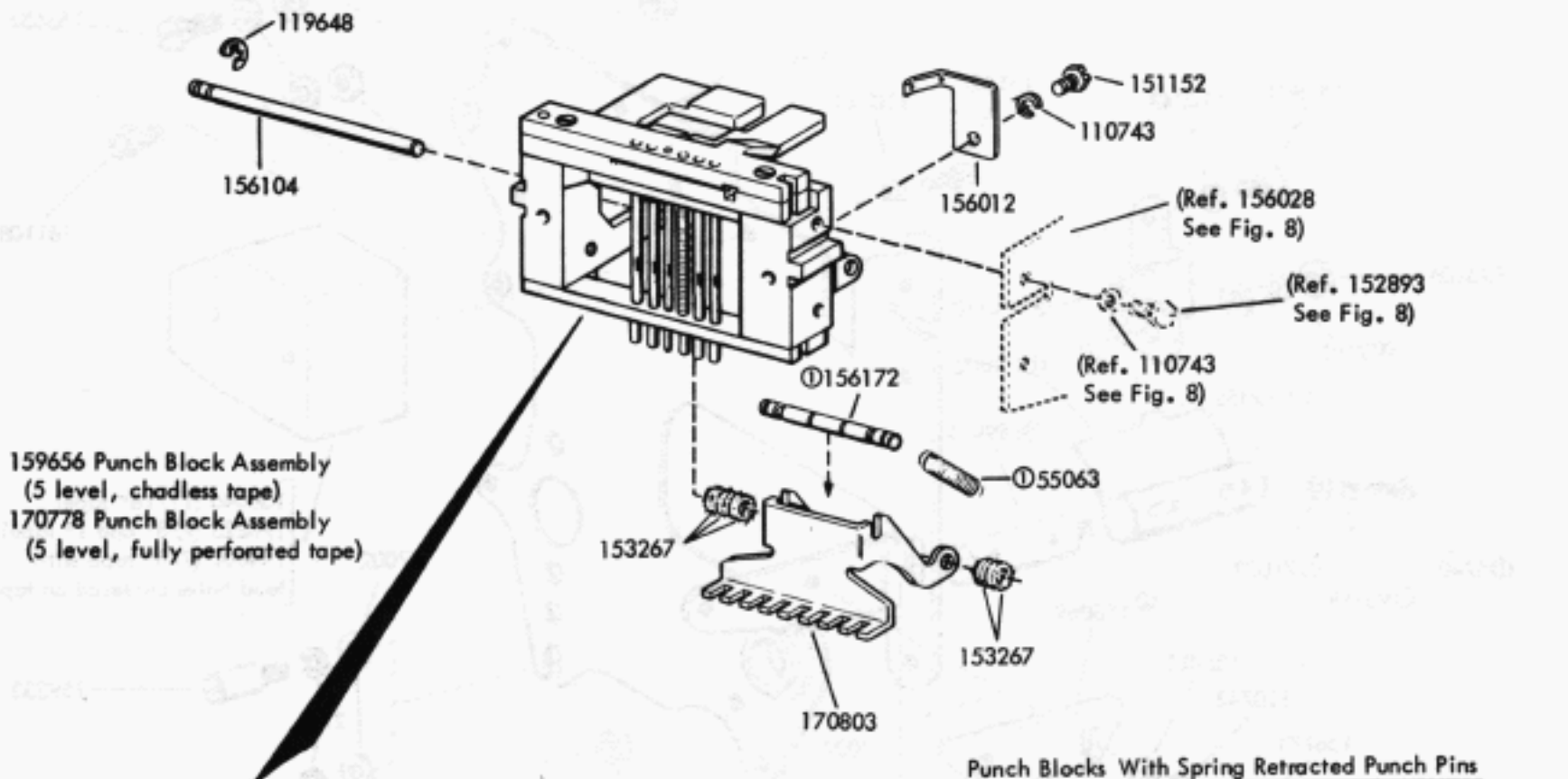


FIGURE 8. FRONT PUNCH PLATE MECHANISM

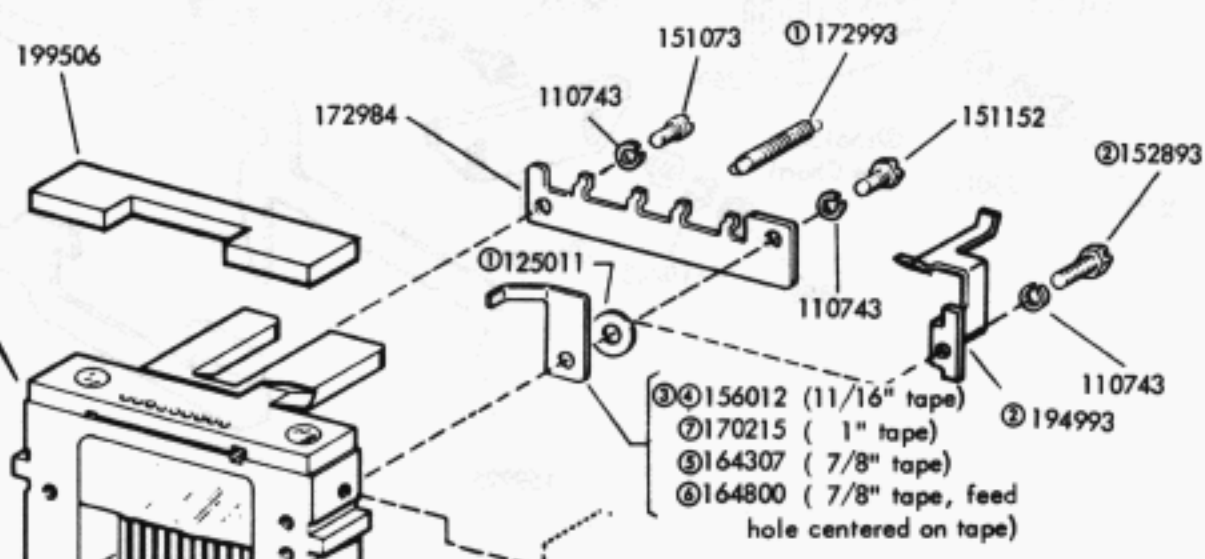


159656 Punch Block Assembly
(5 level, chadless tape)
170778 Punch Block Assembly
(5 level, fully perforated tape)

Punch Blocks With Spring Retracted Punch Pins

Note:
Due to special assembly process, it is recommended that Teletype Corporation be contacted to determine if part replacement or repair is possible on this portion of the Punch Block Assembly.

Punch Blocks With Power Retracted Punch Pins



Fully Perforated Tape

- ① Peculiar to 162994 Punch Block Assembly (5 level, in line feed hole)
- ② Peculiar to 195673 Punch Block Assembly (5 level, advanced feed hole)
- ③ Peculiar to 162993 Punch Block Assembly (6 level, in line feed hole)
- ④ Peculiar to 194100 Punch Block Assembly (6 level, advanced feed hole centered on tape)
- ⑤ Peculiar to 170210 Punch Block Assembly (8 level, in line feed hole)

① Not Part of Punch Block Assemblies
② 194992 Modification Kit to provide Tape Guide Specification 50,1885

FIGURE 10. PUNCH BLOCK ASSEMBLIES

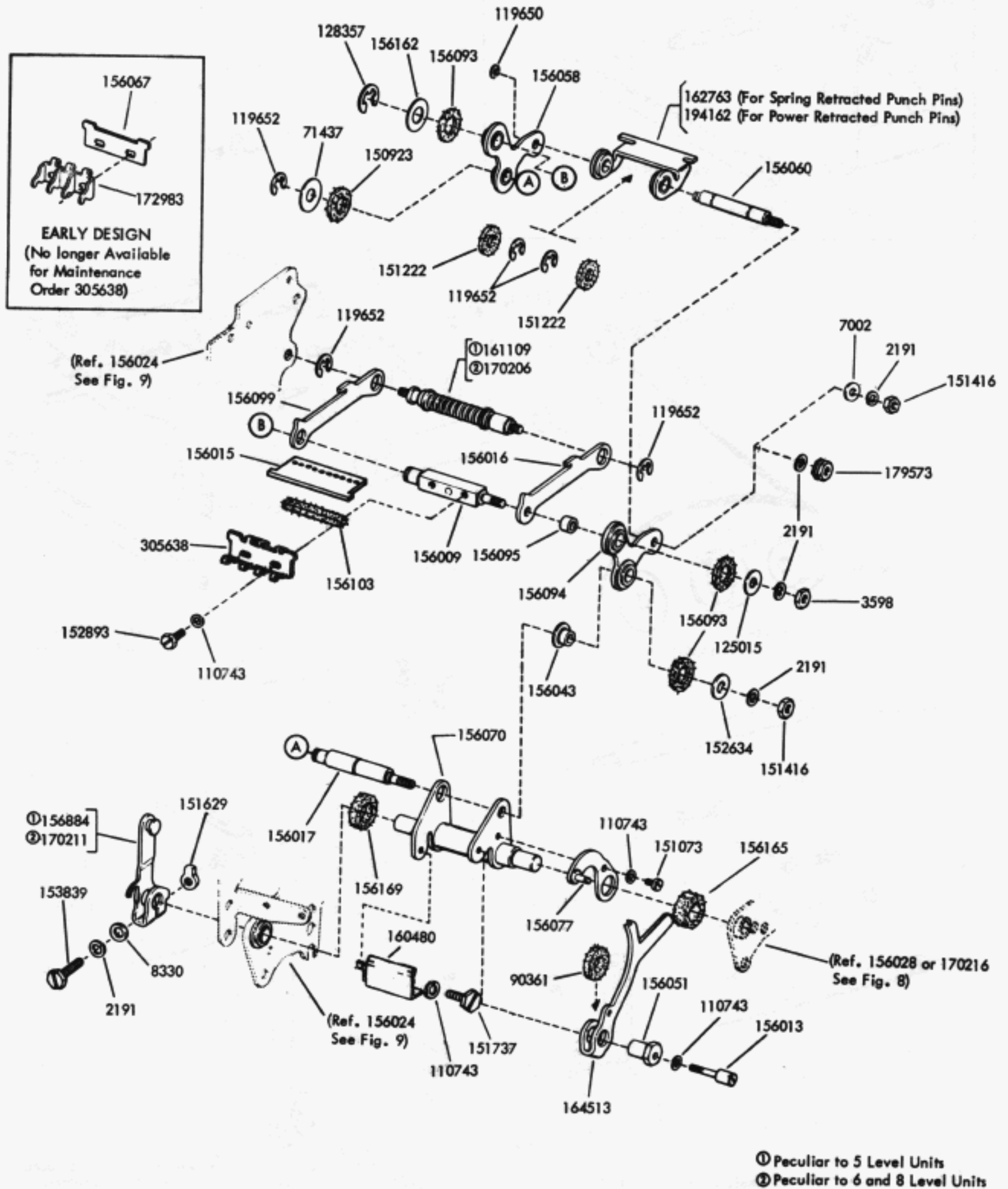


FIGURE 11. PUNCH BAIL MECHANISM

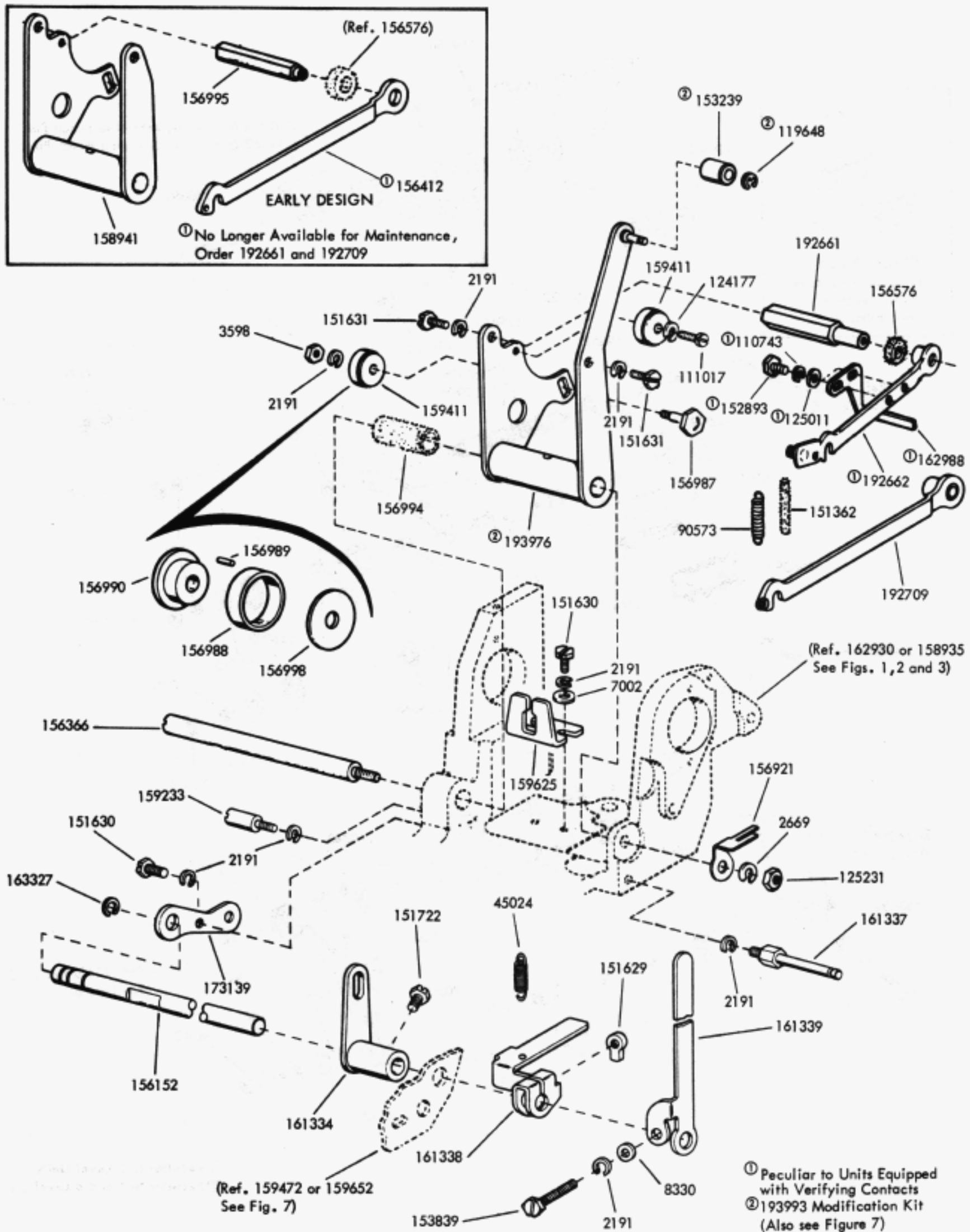
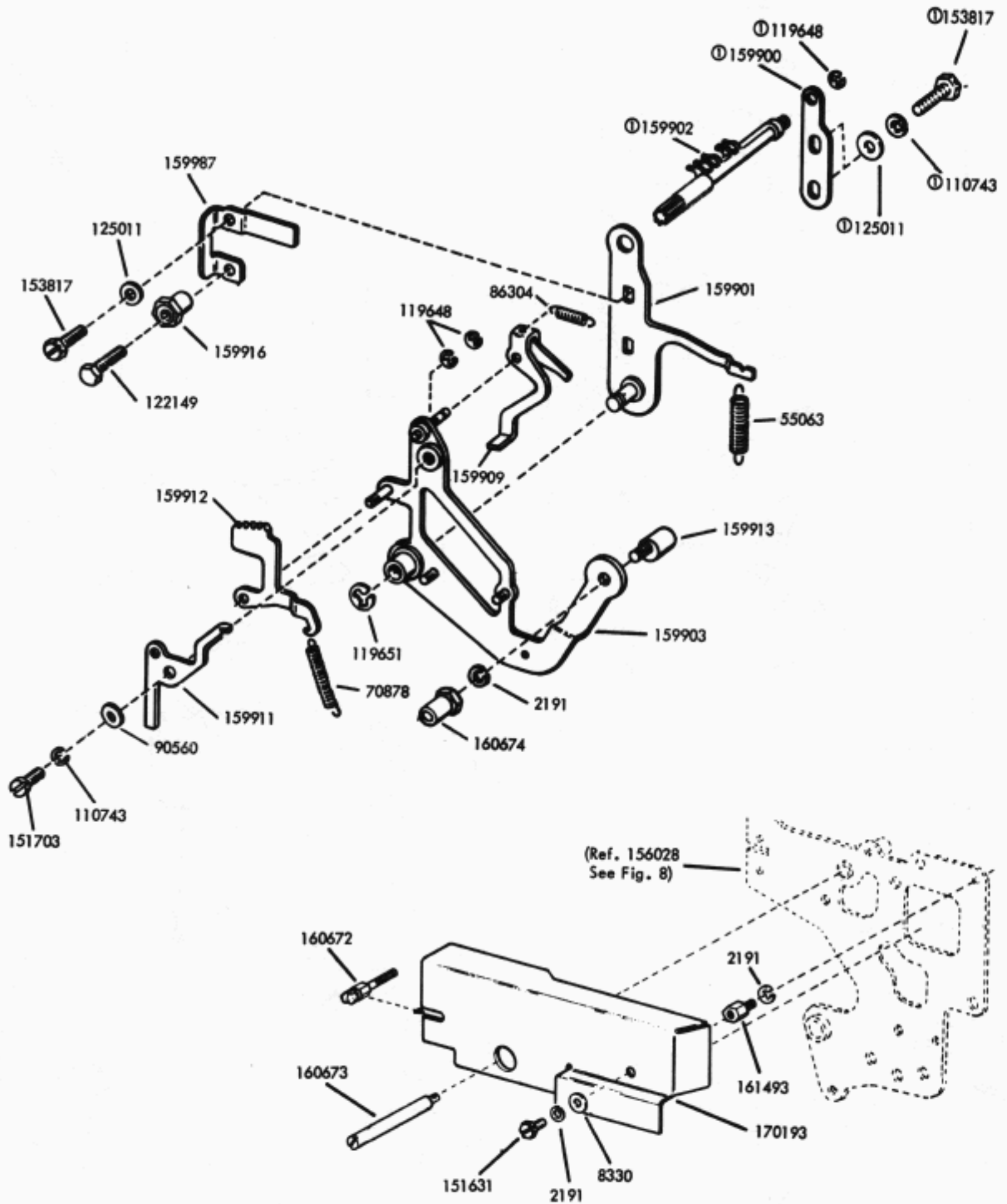


FIGURE 12. ROCKER BAIL MECHANISM



Ⓞ Peculiar to Units Producing Chadless Tape

FIGURE 13. MANUAL BACKSPACE MECHANISM

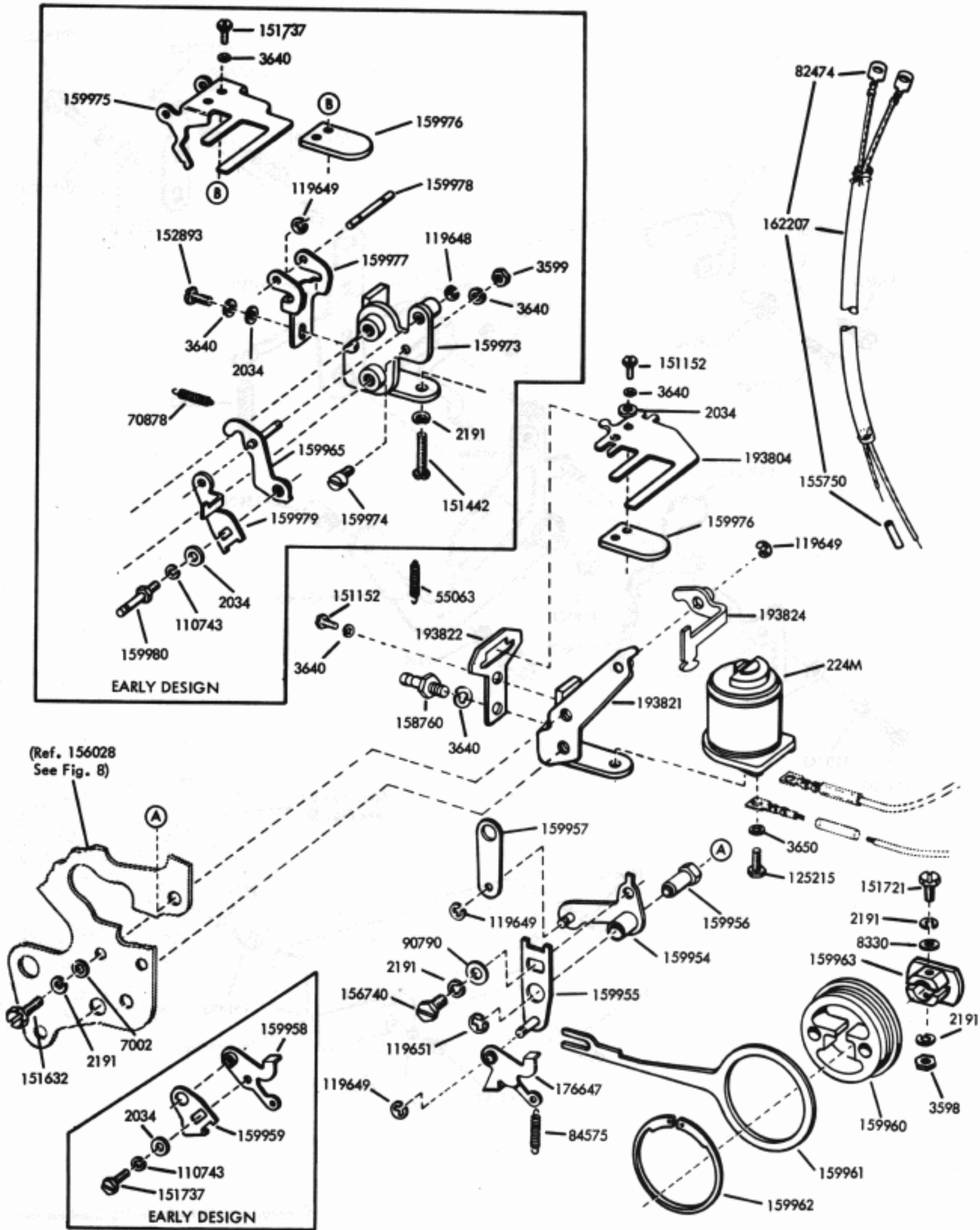
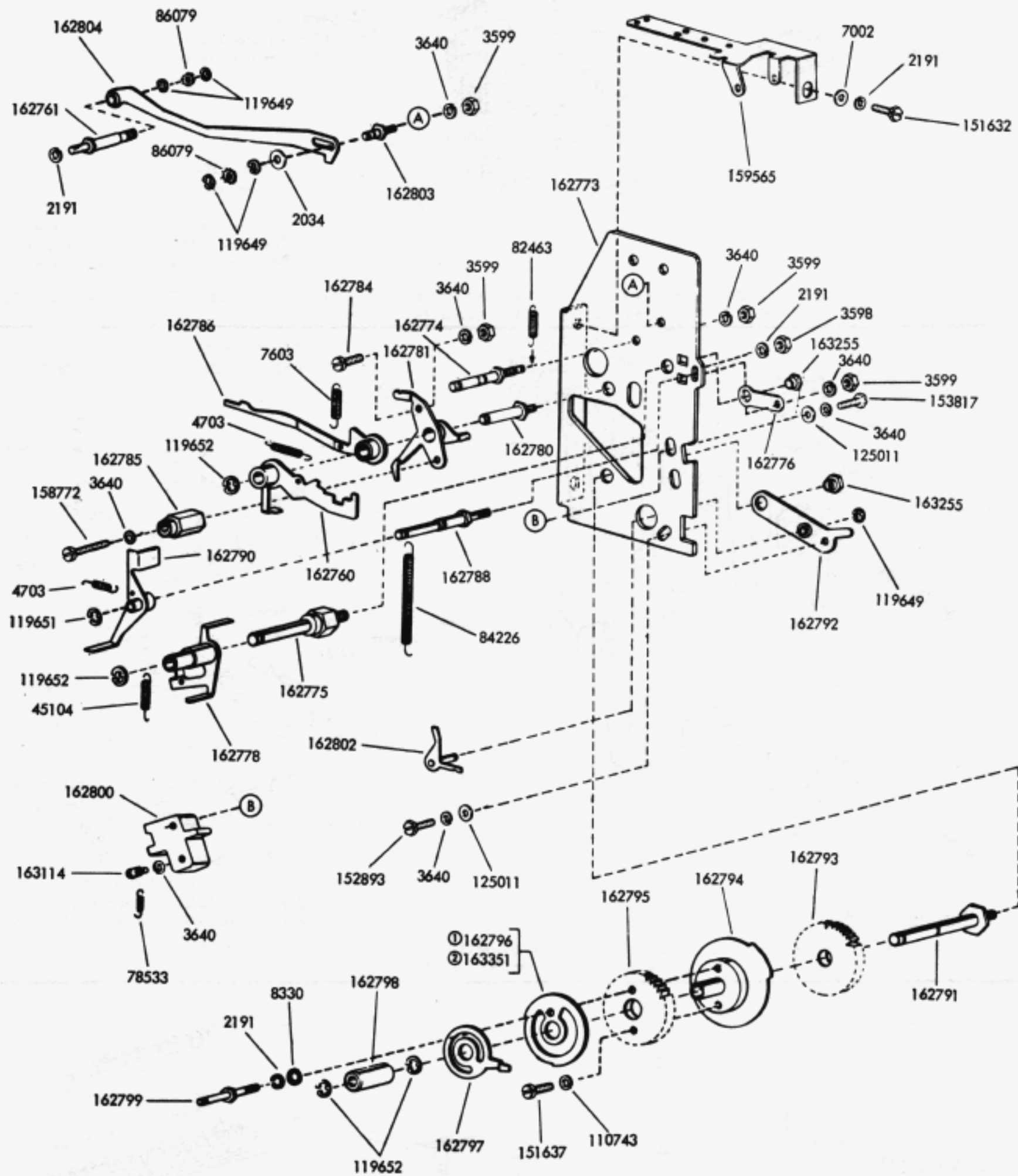


FIGURE 14. POWER-DRIVE BACKSPACE MECHANISM



Specification 50,0595 and 50,0435

ⓐ Peculiar to 162379 (4 Second Time Delay at 100 WPM)
 ⓑ Peculiar to 163347 (16 Second Time Delay at 100 WPM)

FIGURE 18. 162379 AND 163347 MODIFICATION KITS TO ADD AUTOMATIC NON-INTERFERING LETTERS TAPE FEED OUT

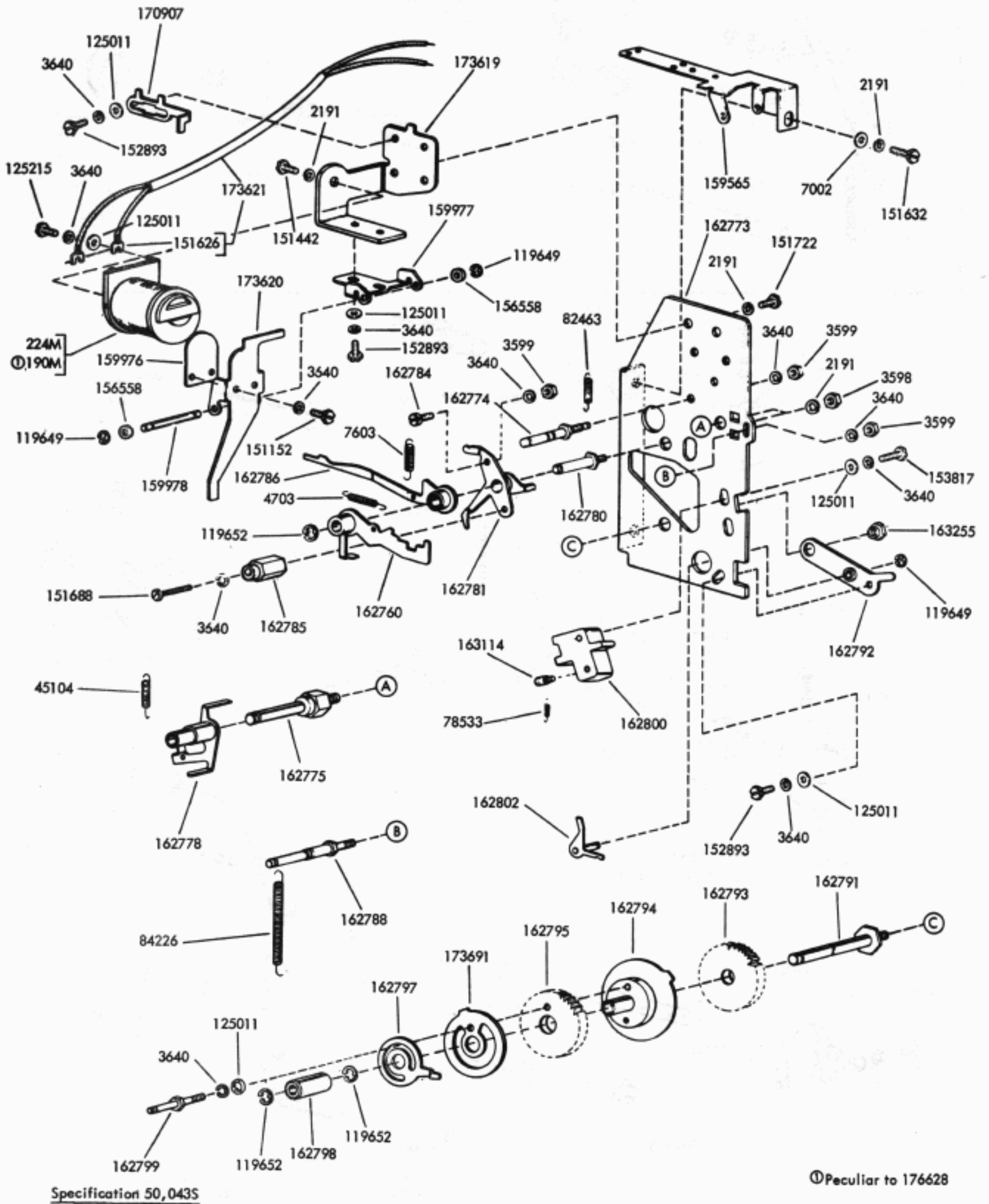


FIGURE 19. 162380 (BLANK), 173443 (LETTERS) AND 176628 (LETTERS) MODIFICATION KITS TO ADD REMOTE CONTROL NON-INTERFERING TAPE FEED OUT

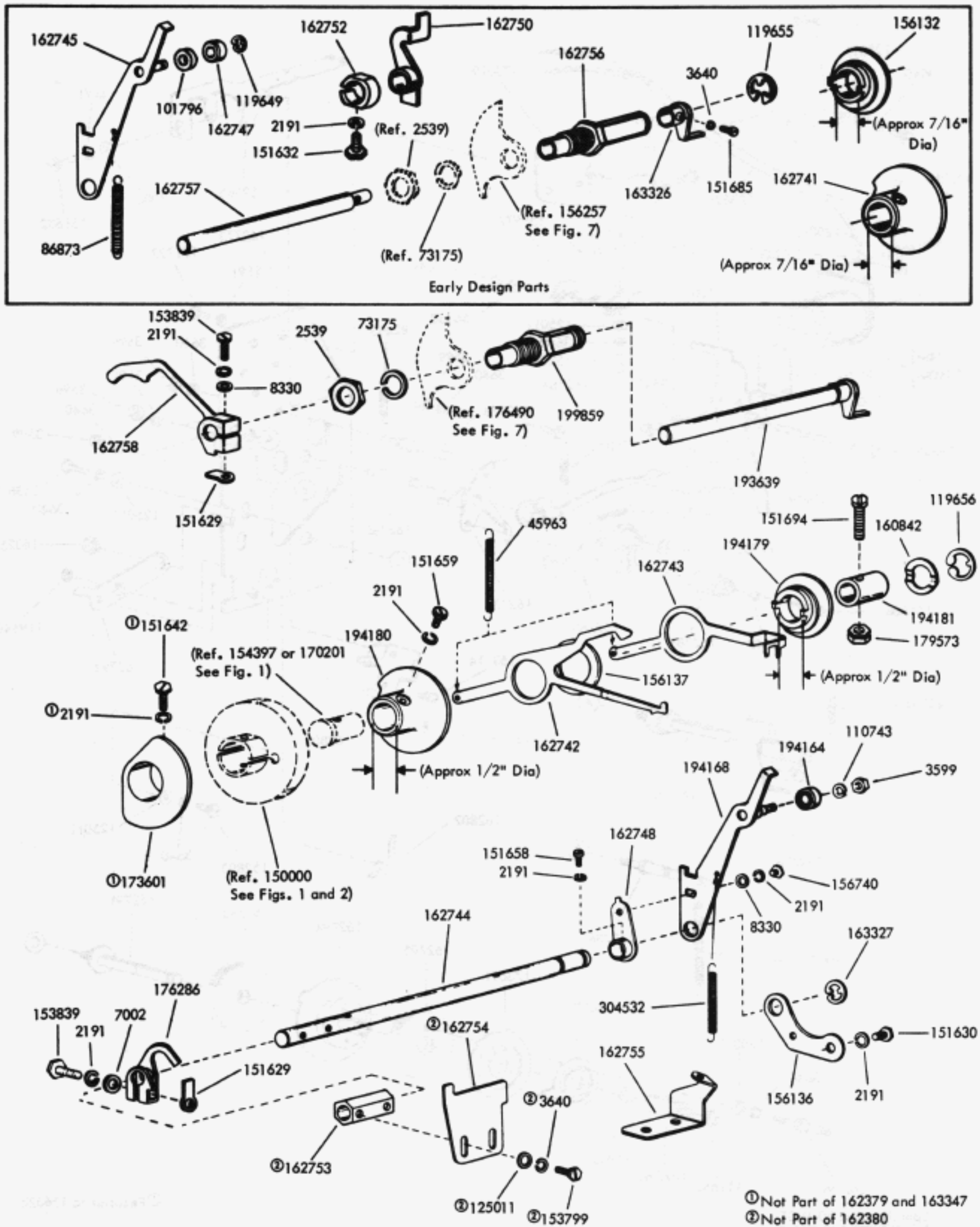


FIGURE 20. 162379, 163347 (AUTOMATIC LETTERS) AND 162380, 173443 AND 176628 (REMOTE CONTROL LETTERS) MODIFICATION KITS TO ADD NON-INTERFERING TAPE FEED OUT

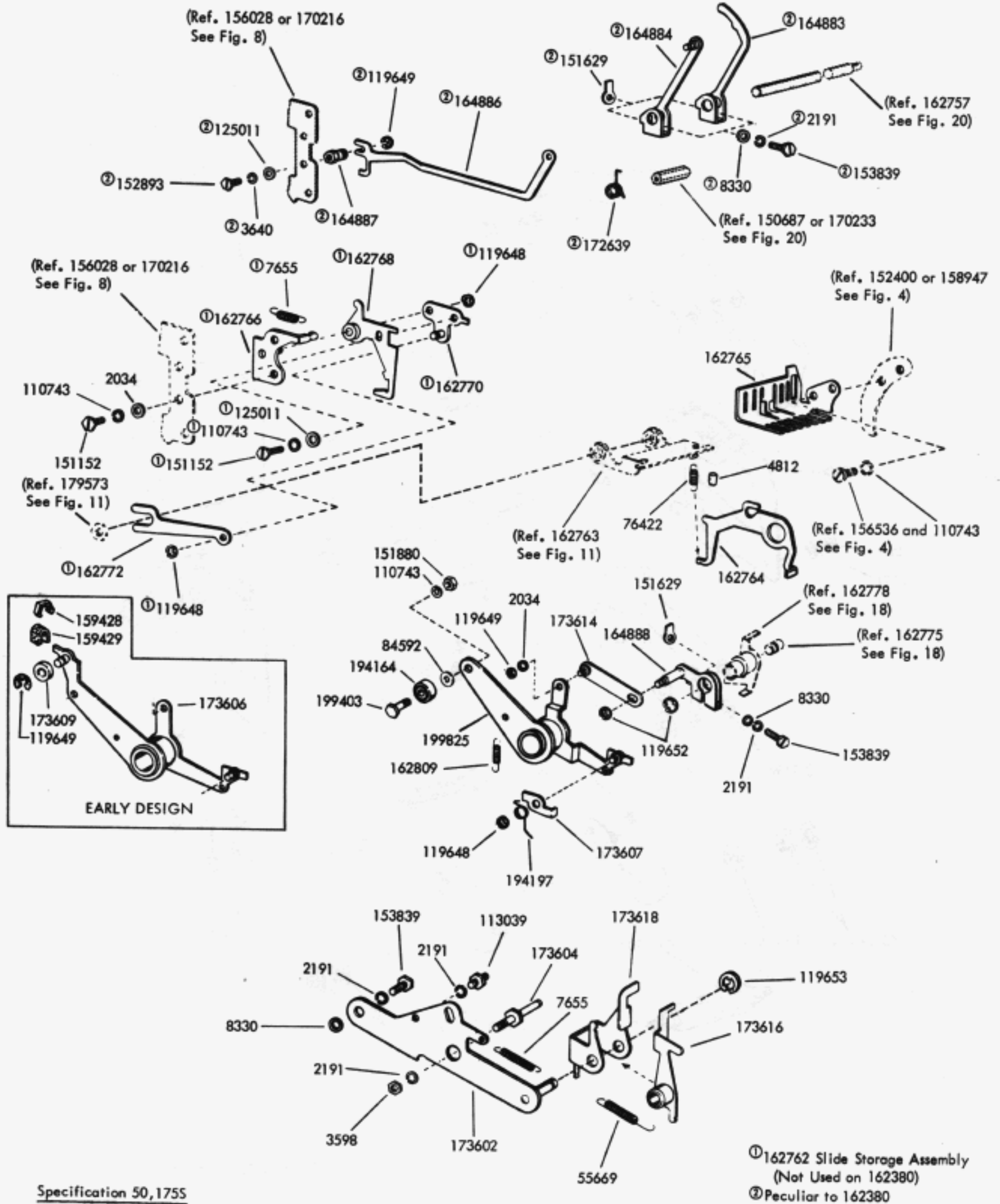


FIGURE 21. 162379,163347 (AUTOMATIC),162380 (BLANK),173443 AND 176628 (REMOTE CONTROL LETTERS) MODIFICATION KITS TO ADD NON-INTERFERING TAPE FEED OUT

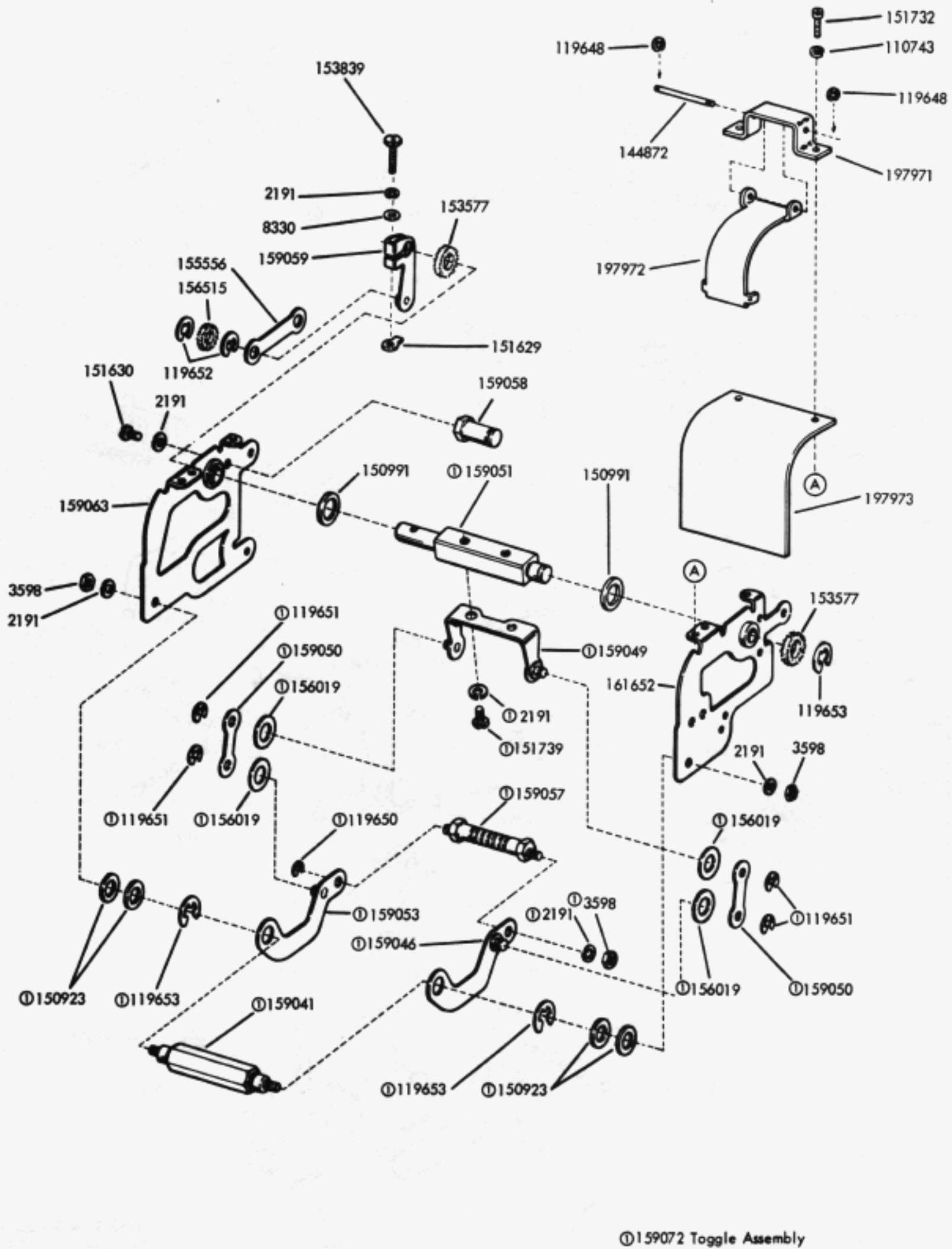


FIGURE 22. VERIFIER CONTACT MECHANISM TO VERIFY SIX CHARACTERS AFTER PERFORATION

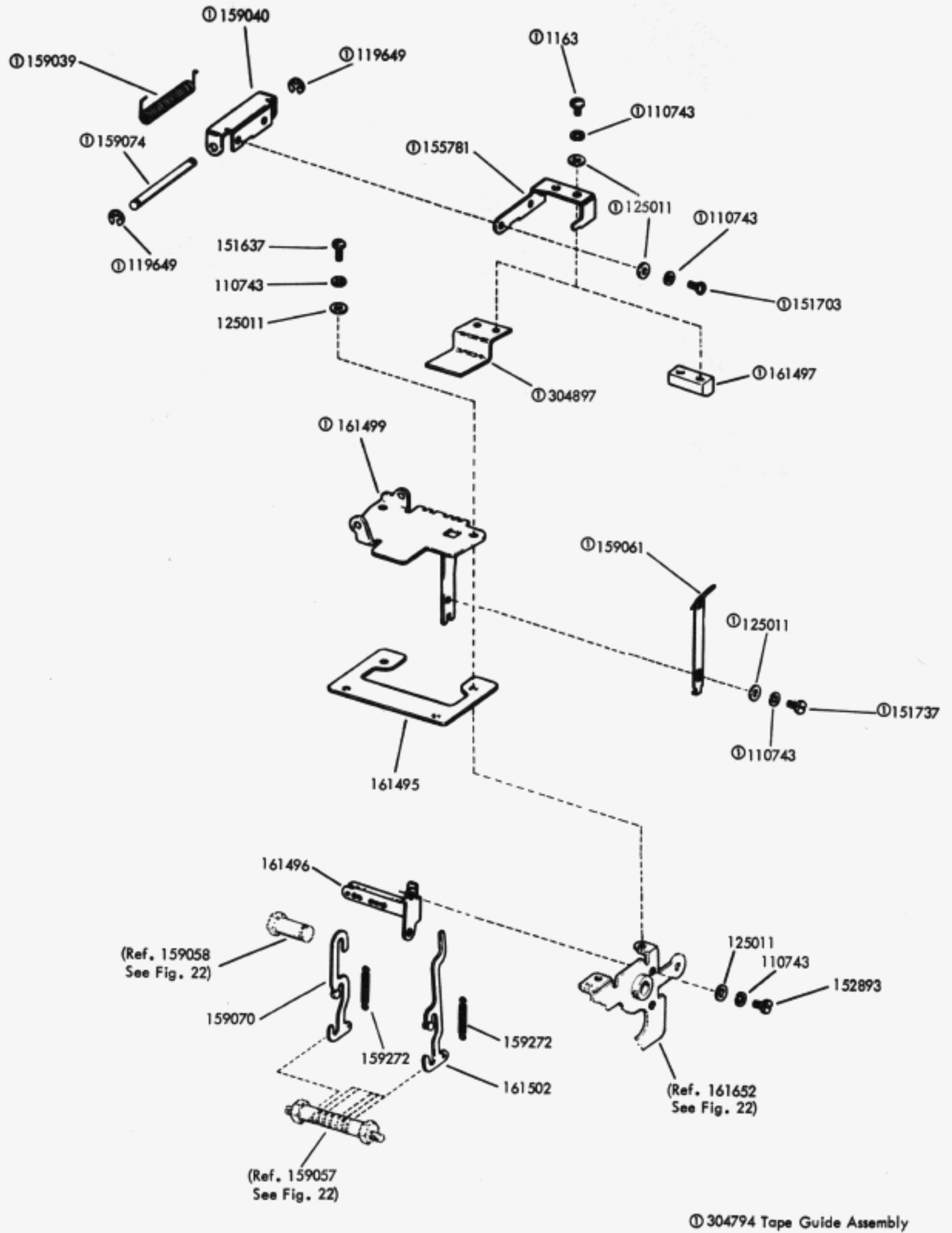


FIGURE 23. VERIFIER CONTACT MECHANISM TO VERIFY SIX CHARACTERS AFTER PERFORATION (continued)

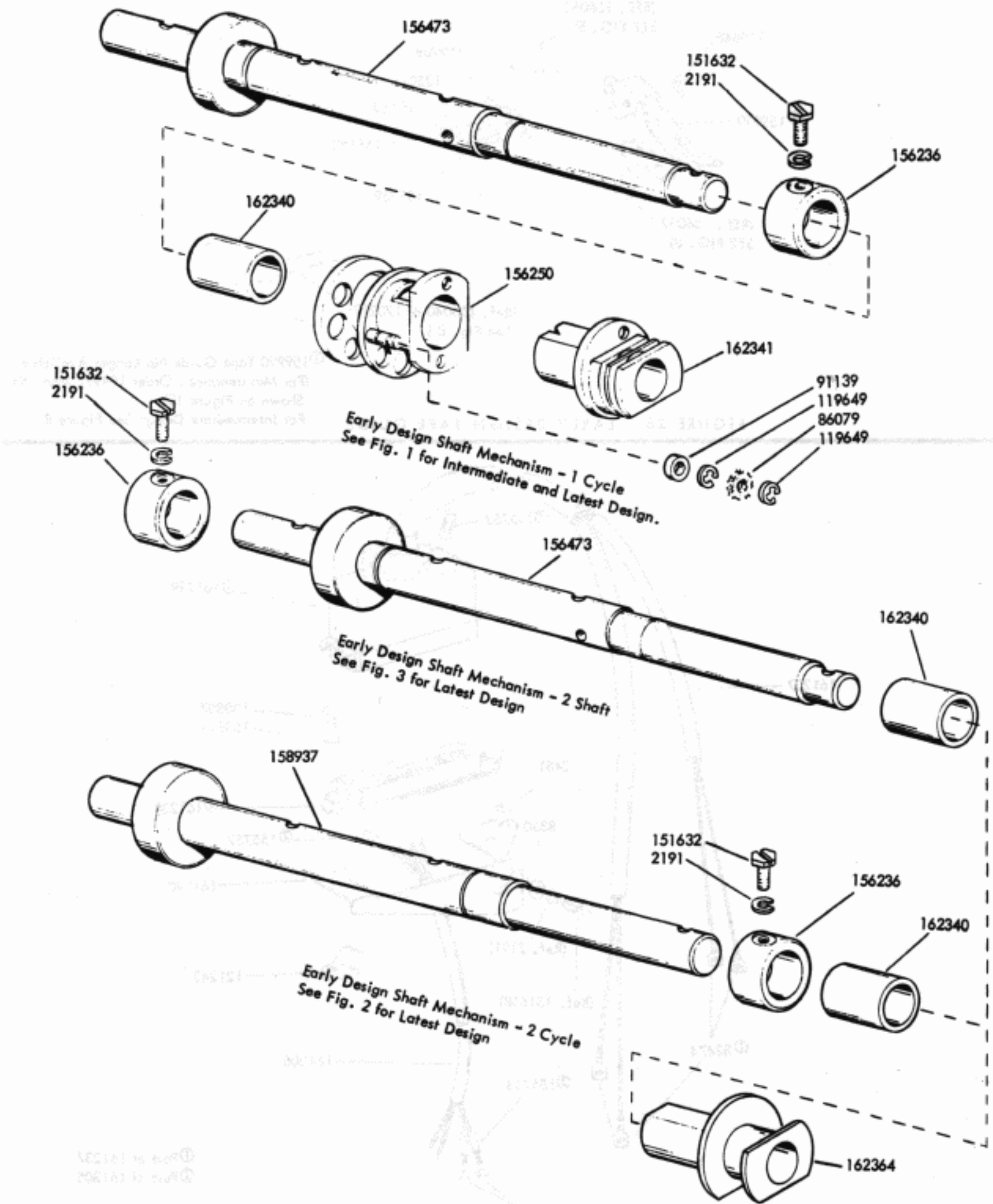


FIGURE 25. EARLY DESIGN SHAFT MECHANISM FOR 5 LEVEL UNITS

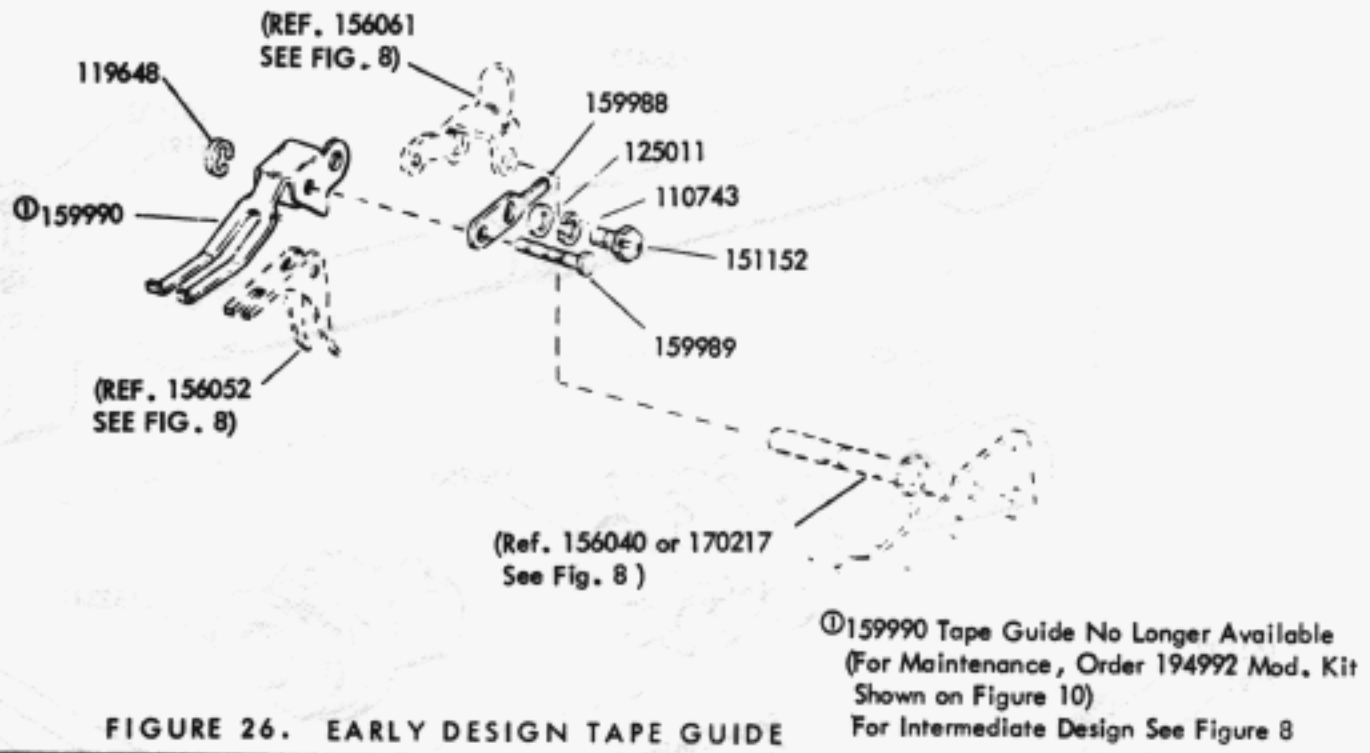


FIGURE 26. EARLY DESIGN TAPE GUIDE

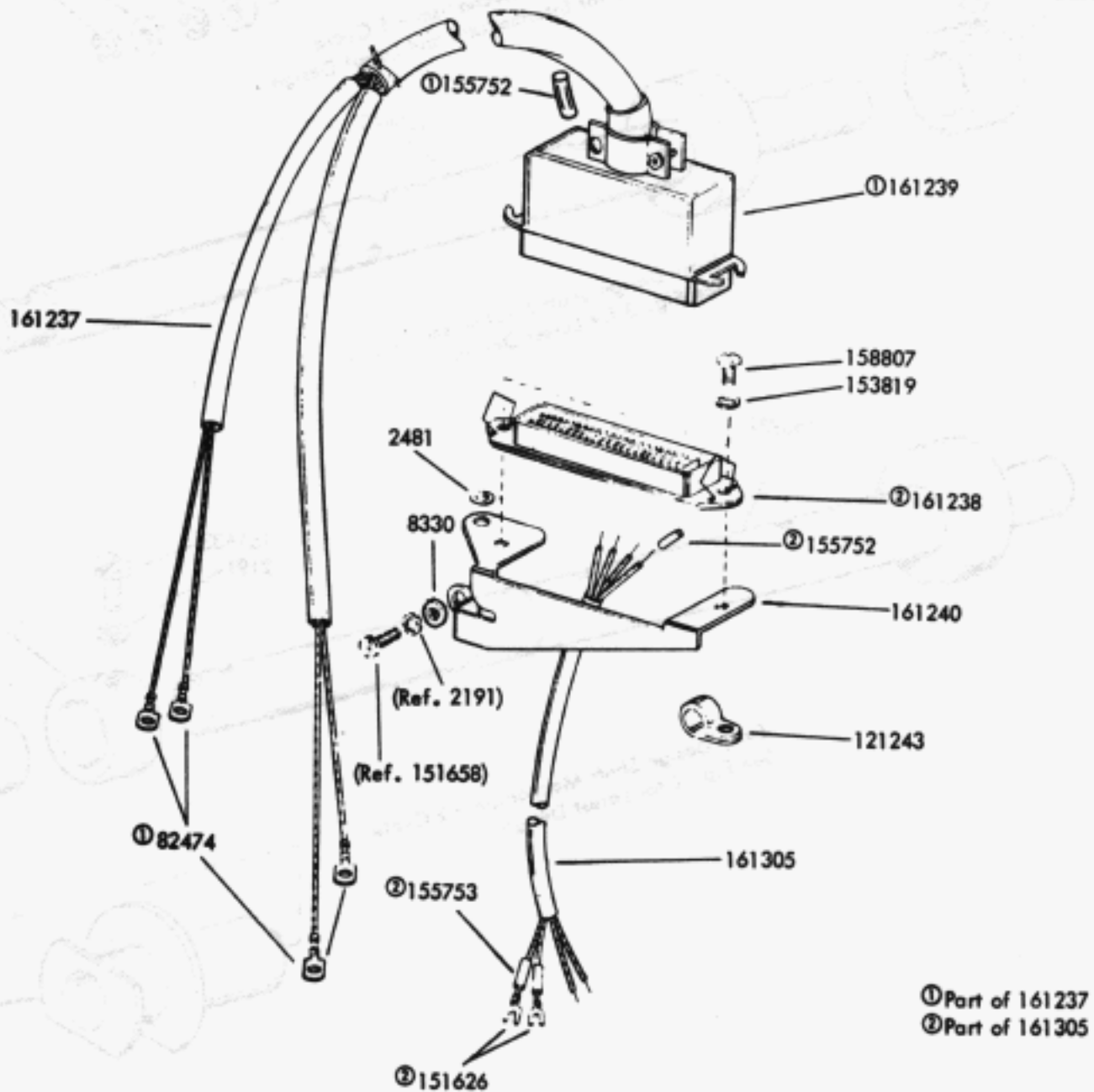


FIGURE 27. KEYBOARD REPERFORATOR UNIT CABLE ASSEMBLY

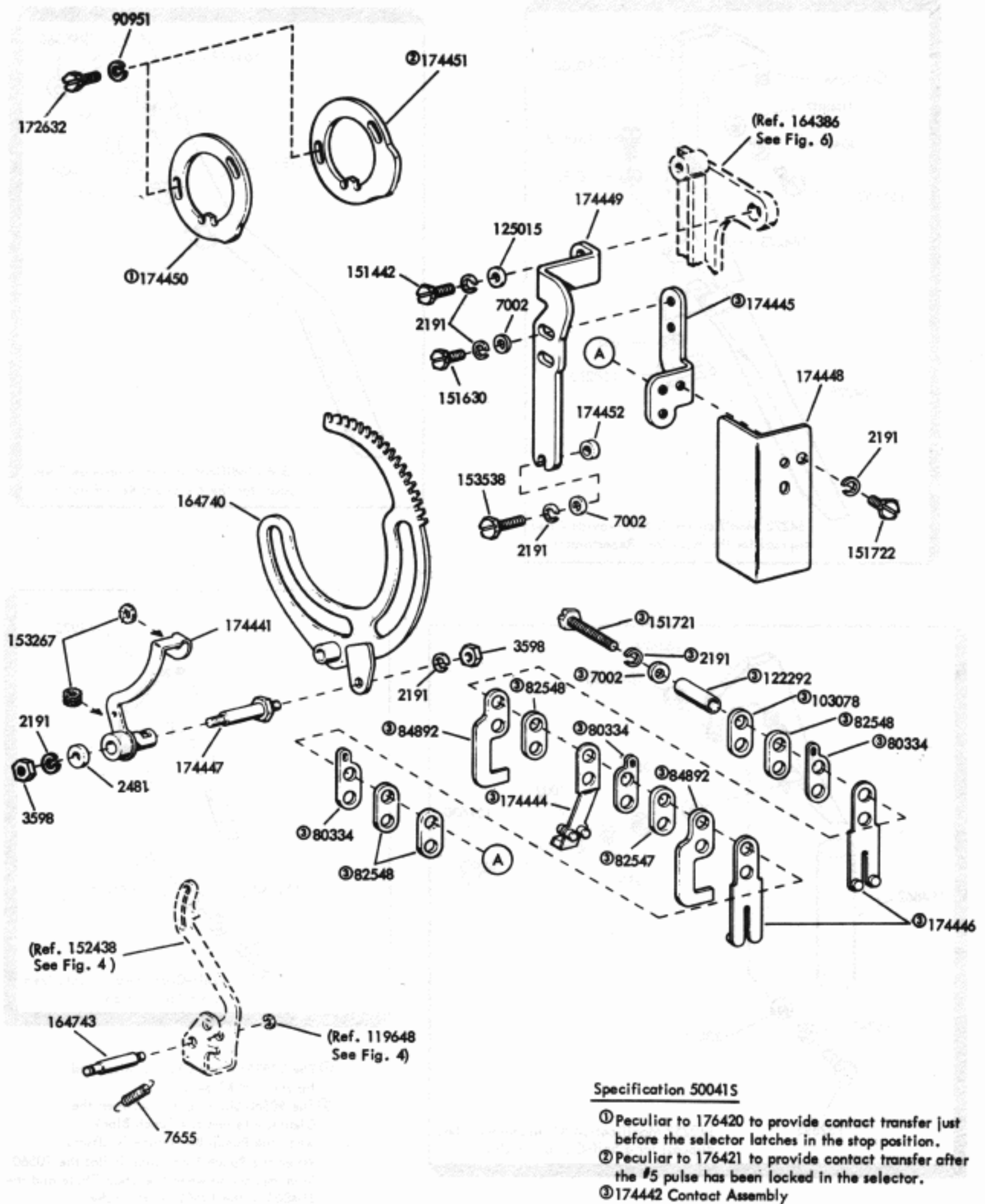
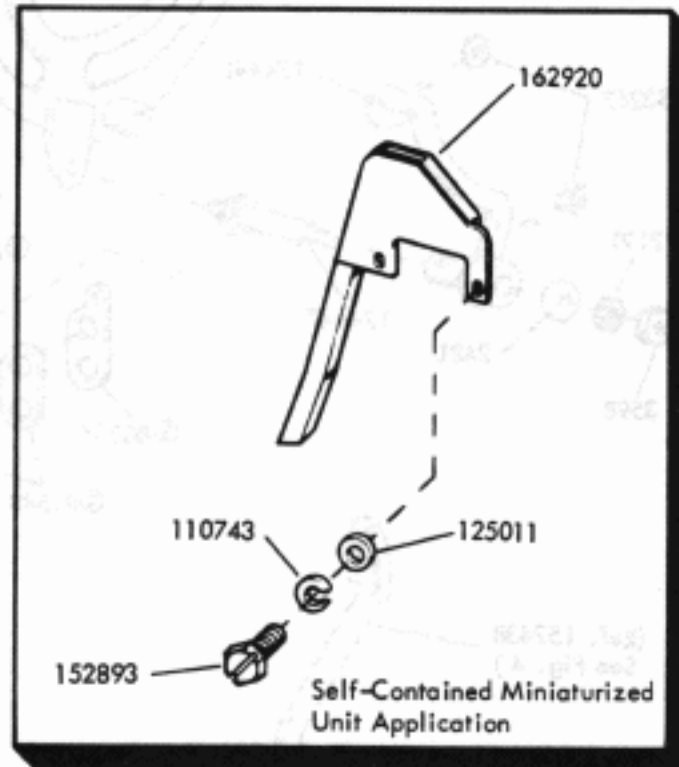
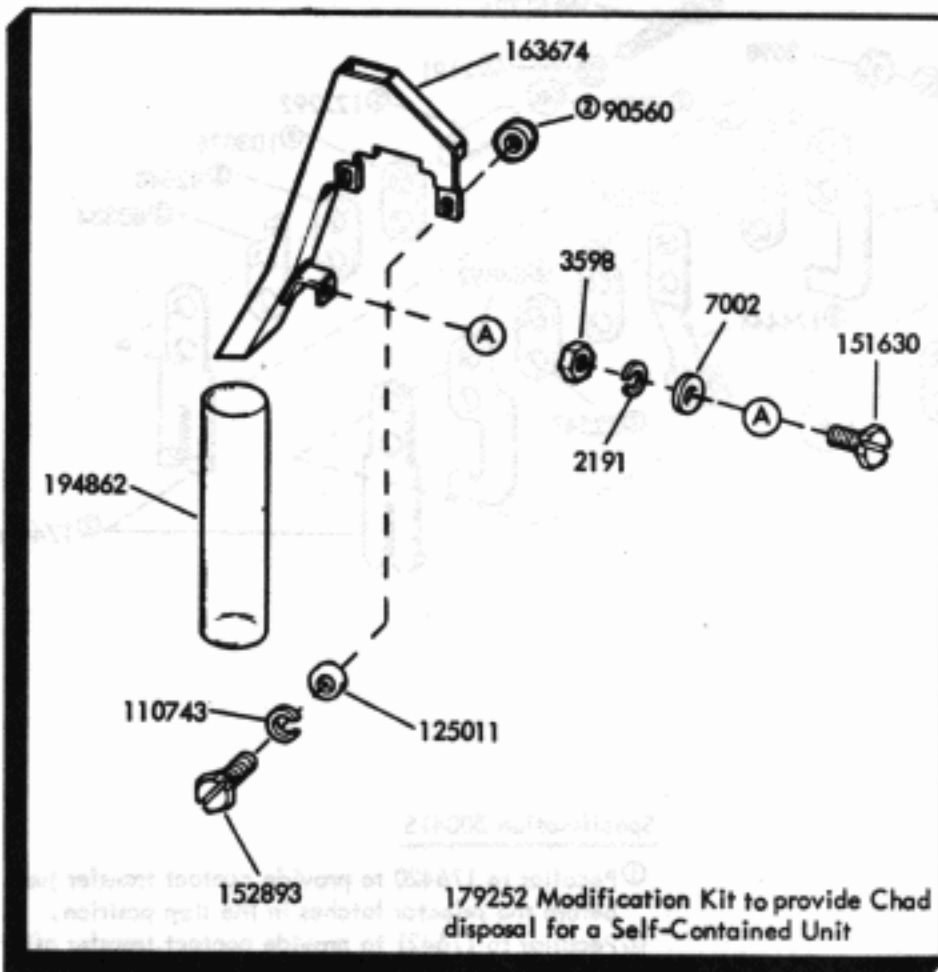
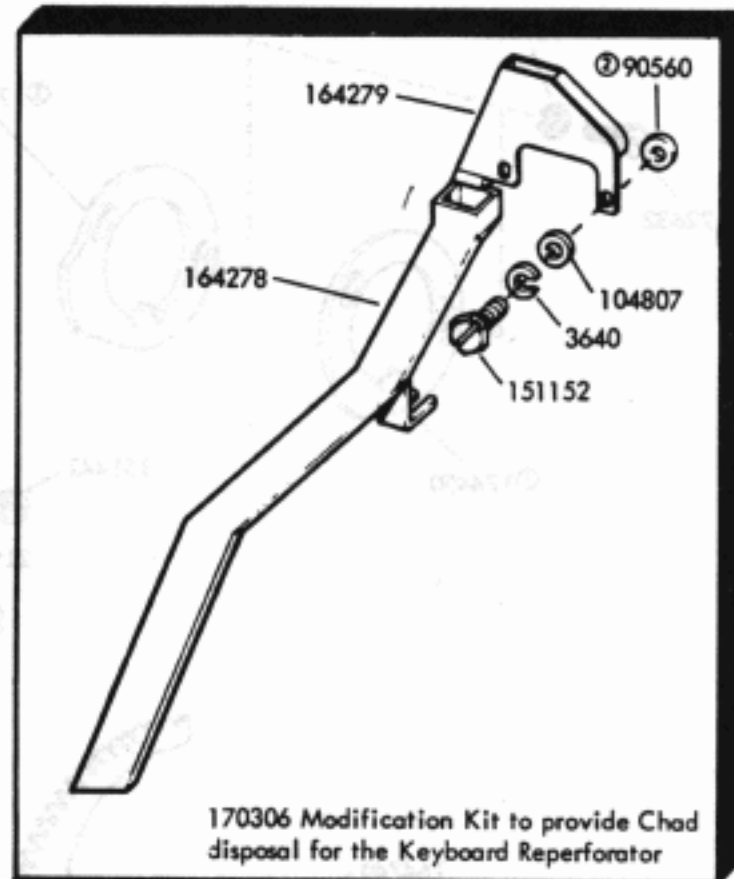
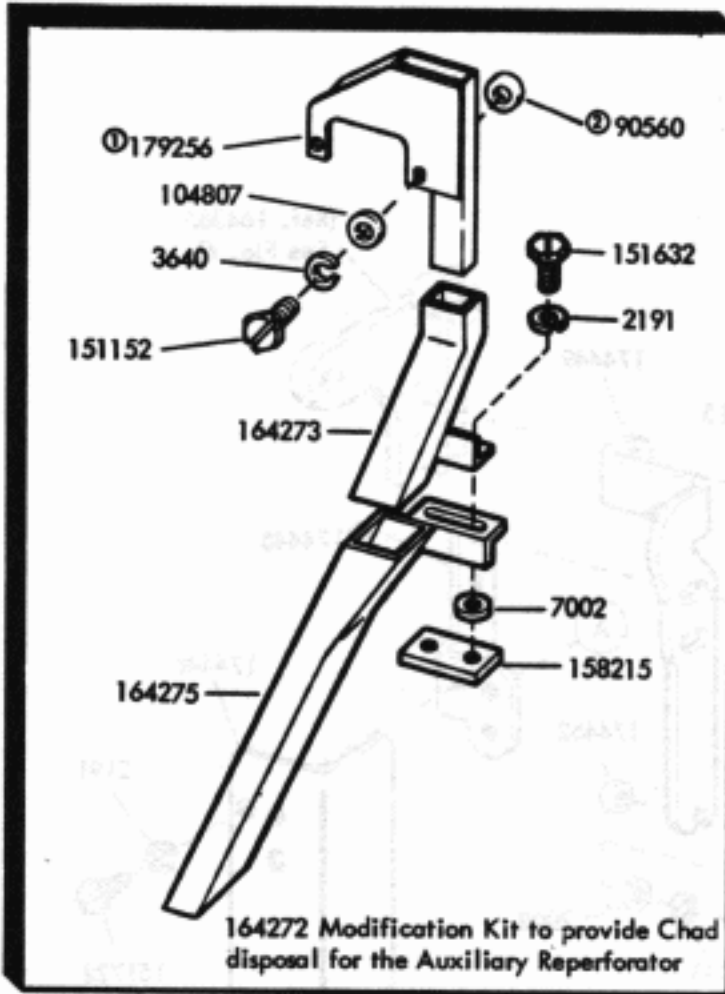


FIGURE 28. 174439 (LESS CAM), 176420 AND 176421 (WITH CAMS) MODIFICATION KITS TO ADD TIMING CONTACT MECHANISM TO 5 LEVEL SINGLE CYCLE UNITS



- ① The 179256 Chad Chute is also used for the L/H RT Set.
- ② The 90560 Shim mounts between the Chad Chute and the Punch Block when the Punch Block face is offset. When the Punch Block face is flat the 90560 Shim mounts between the Chad Chute and the 104807 or the 125011 Flat Washer.

FIGURE 29. CHAD CHUTES

NUMERICAL INDEX

Part Number	Description and Page Number	Part Number	Description and Page Number	Part Number	Description and Page Number
190M	Coil, Magnet 19	87401	Spring 9	150040	Screw (6-40 x 5/8 Fil) 3, 4
224M	Coil, Magnet 16, 19	90361	Washer, Felt 13	150043	Shoe, Secondary Clutch 3, 4, 5
254M	Coil, Magnet 8	90517	Spring 7	150044	Shoe, Primary Clutch 3, 4, 5
1036	Nut (6-40 Hex) 10	90560	Washer, Flat 15, 28	150048	Spring 6, 9
1163	Screw (4-40 x 3/16 Fil) 23	90573	Spring 14	150089	Screw (4-40 x 1/2 Fil) 8
2034	Washer, Flat 6, 7, 9, 16, 18, 21	90790	Washer, Flat 16	150241	Spring 3, 4, 5, 7, 9
2191	Washer, Lock 3 to 11, 13 to 22, 24 to 28	90791	Washer, Lock 10	150355	Lever, Latch 9
2438	Washer, Flat 8	90951	Washer, Lock 27	150356	Lever, Trip 9
2481	Washer, Flat 17, 26, 27	91120	Spring 10	150687	Stud 6, 7, 21
2539	Nut (3/8-32 Hex) 20	91139	Roller 25	150830	Bushing, Shoulder 4, 5
2669	Washer, Lock 6, 7, 14	93108	Washer, Lock 5	150841	Bearing 4, 5
3598	Nut (6-40 Hex) 3 to 7, 9, 10, 11, 13, 14, 16, 18, 19, 21, 22, 27, 28	93118	Washer, Lock 11	150923	Washer, Felt 13, 22
3599	Nut (4-40 Hex) 6 to 9, 11, 16, 18, 19, 20	93356	Washer, Felt 9, 10	150978	Screw (6-40 x 1-1/8 Fil) 8
3606	Nut (6-40 Hex) 5, 11	96717	Screw, Shoulder (4-40) 6, 7	150991	Washer, Felt 22
3640	Washer, Lock 3 to 5, 9, 16 to 21, 28	101386	Spring 7	151073	Screw (4-40 x 5/32 Fil) 8, 9, 12, 13, 17, 23
3650	Washer, Flat 16	101796	Washer, Felt 20	151103	Spring 6
4703	Spring 18, 19	103078	Plate 27	151152	Screw (4-40 x 3/16 Hex) 9, 12, 16, 17, 19, 21, 26, 28
4812	Wick, Felt 21	104807	Washer, Flat 28	151222	Washer, Felt 13
5363	Spring, Compression 10	104824	Spring 8	151246	Washer, Flat 3, 4, 5
5740	Screw (2-56 x 1/4 Fil) 11	110434	Screw (4-40 x 3/16 Fil) 6, 7	151336	Oiler 6, 7
7002	Washer, Flat 5, 6, 7, 9, 10, 11, 13, 14, 16 to 20, 24, 27, 28	110743	Washer, Lock 3 to 18, 20 to 24, 26, 28	151346	Screw (6-40 x 3/8 Fil) 5
7603	Spring 18, 19	111017	Screw (6-40 x 5/16 Fil) 14	151362	Wick, Felt 14
7655	Spring 21, 27	111410	Washer, Flat 9	151416	Nut (6-40 Hex) 10, 13
8330	Washer, Flat 6, 7, 9, 13 to 16, 18, 20, 21, 22, 26	111777	Connector, Receptacle (4 Pt) 17	151442	Screw (6-40 x 1/2 Hex) 3 to 6, 9, 16, 19, 27
41382	Spring 6, 7, 10	112352	Washer, Flat 11	151603	Spacer 8
41543	Bearing, Ball 5	112626	Nut (10-32 Hex) 6, 7	151618	Screw (6-40 x 7/16 Fil) 9
41732	Plate, Clamp 17	112967	Washer, Flat 5	151626	Terminal 8, 19, 24, 26
42823	Washer, Flat 3, 4, 5	113039	Post, Spring 21	151629	Nut (6-40 Lug) 9, 13, 14, 20, 21, 22
45024	Spring 14	119647	Ring, Retaining 10	151630	Screw (6-40 x 1/4 Hex) 4 to 7, 9, 10, 14, 17, 20, 22, 27, 28
45104	Spring 18, 19	119648	Ring, Retaining 6, 7, 10, 12, 14, 15, 16, 21, 22, 26, 27	151631	Screw (6-40 x 5/16 Hex) 5, 8, 9, 14, 15, 24
45963	Spring 20	119649	Ring, Retaining 10, 16 to 21, 23, 25	151632	Screw (6-40 x 3/8 Hex) 3, 4, 5, 16 to 20, 25, 28
49084	Spring 17	119650	Ring, Retaining 9, 13, 22	151637	Screw (4-40 x 1/4 Fil) 3, 11, 18, 23, 24
55063	Spring 12, 15, 16	119651	Ring, Retaining 9, 15, 16, 18, 22	151640	Lever, Shoe Release 3, 5
55669	Spring 21	119652	Ring, Retaining 6, 7, 9, 10, 13, 18, 19, 21, 22	151642	Screw (6-40 x 3/4 Fil) 20
70878	Spring 15, 16	119653	Ring, Retaining 21, 22	151657	Screw (6-40 x 1/4 Fil) 4, 6, 7, 9
71073	Washer, Flat 11	119654	Ring, Retaining 4, 5	151658	Screw (6-40 x 5/16 Fil) 3, 4, 5, 20, 23
71437	Washer, Flat 13	119655	Ring, Retaining 20	151659	Screw (6-40 x 1/2 Fil) 20
72522	Wick, Felt 10	119656	Ring, Retaining 20	151685	Screw (4-40 x 5/16 Fil) 20
73175	Washer, Lock 20	121242	Clamp, Cable (1/8 ID) 9	151686	Screw (4-40 x 3/8 Fil) 8
73611	Wick, Felt 17	121243	Clamp, Cable (3/16 ID) 26	151688	Screw (4-40 x 5/8 Fil) 8, 17, 19
74283	Washer, Spring 6, 7	121538	Terminal 8	151690	Screw (10-32 x 5/16 Fil) 3, 4, 5
74727	Terminal, Contact 17	122149	Screw (4-40 Spl) 15	151693	Screw (6-40 x 9/16 Fil) 3, 4, 5
76081	Washer, Flat 8, 9	122292	Bushing, Insulating 27	151694	Screw (6-40 x 11/32 Fil) 17, 20
76099	Washer, Flat 8	124177	Washer, Lock 6, 7, 10, 14	151701	Spring, Torsion 6
76246	Bushing, Insulating 17	124334	Screw (6-40 x 1-27/32 Hex) 24	151703	Pin 15, 23
76422	Spring 21	125011	Washer, Flat 6, 7, 9, 11, 12, 14, 15, 17 to 21, 23, 24, 26, 28	151714	Spring 6, 7
78533	Spring 6, 18, 19	125015	Washer, Flat 8, 9, 13, 27	151715	Spring 8
79012	Insulator 8	125215	Screw (4-40 x 3/16 Hex) 16, 19	151721	Screw (6-40 x 3/4 Hex) 16, 27
80334	Terminal, Contact 27	125231	Nut (10-32 Hex) 14	151722	Screw (6-40 x 3/16 Hex) 9, 10, 14, 19, 27
80755	Bushing, Insulating 17	128357	Ring, Retaining 13	151728	Spring 3, 5
81778	Screw (4-40 x 3/16 Fil) 8	131099	Terminal (5/8" Lg) 24	151732	Screw (4-40 x 11/32 Fil) 22, 24
82463	Spring 18, 19	135716	Spring 9	151736	Spring 4, 5
82474	Terminal 16, 17, 26	139752	Screw (4-40 x 11/64 Fil) 9	151737	Screw (4-40 x 11/64 Hex) 3, 4, 5, 13, 16, 17, 23
82547	Insulator (.094 Thk) 27	144872	Pin 22	151739	Screw (6-40 x 3/16 Hex) 22
82548	Insulator (.062 Thk) 17, 27	150000	Drum, Clutch 3, 4, 20	151880	Nut (40-40 Hex) 21
84226	Spring 18, 19	150001	Drum, Clutch 3, 4, 5	152400	Plate, Selector Mtg 6, 8, 9, 21
84575	Spring 9, 16	150013	Disk, Adjusting 3, 5		
84592	Shim (.004 Thk) 21	150014	Disk, Adjusting 4, 5		
84892	Stiffener 27	150026	Lever, Shoe Release 3		
86079	Washer, Felt 18, 25	150027	Lever, Shoe Release 4, 5		
86304	Spring 15	150029	Wick, Felt 3, 4, 5		
86873	Spring 20	150034	Disk, Clutch (2 Stop) 4, 5		

NUMERICAL INDEX (Continued)

Part Number	Description and Page Number	Part Number	Description and Page Number	Part Number	Description and Page Number
152401	Guide 6,7	156009	Post, Slide 13	156412	Link, Drive 14
152402	Guide, Selector Lever 6, 7	156012	Spring, Punch Block 12	156465	Washer, Spring 3, 4, 5
152403	Bracket, Guide 6	156013	Screw (4-40 Spl) 13	156467	Ring, Retaining 3, 5
152404	Bracket, Spring 6	156015	Plate, Spring 13	156472	Post, Spring 9
152406	Bracket, Spring 6	156016	Link, Front Drag 13	156473	Shaft, Main 25
152407	Lever, Spacing Lock 6	156017	Shaft, Eccentric 13	156490	Post, Guide 9
152409	Lever, Selecting 6	156019	Washer, Felt 10, 22	156515	Washer, Felt 22
152410	Bail, Reset 6	156020	Slide 11	156536	Screw (4-40 x 1/8 Fil) 6, 7, 21
152412	Link 6, 7	156024	Plate, Rear 10, 11, 13	156558	Washer, Felt 19
152415	Stud, Adjusting 3, 5, 8	156028	Plate, Front 10, 12, 13, 15, 16, 21	156572	Washer, Felt 17
152420	Lamination, Magnet 8	156036	Guide, Tape 10	156576	Washer, Felt 14
152421	Bracket, Shield Mounting 8	156040	Post 10, 26	156577	Roller, Detent Lever 10
152423	Bracket, Armature Stop Mounting 8	156042	Post, Spacing 10	156632	Screw (6-40 x 13/32 Hex) 11
152425	Post, Spring 8	156043	Bushing 13	156740	Screw (6-40 x 7/32 Hex) 16, 20
152426	Nut, Self-Locking (6-40) 8	156044	Stud, Die Wheel 10	156880	Jumper (2-3/8" Black) 8
152427	Latch w/Hub 6, 7	156045	Shaft, Feed Wheel 10	156881	Jumper (1-1/2" Black) 8
152429	Rack, Sector 6, 7	156046	Block, Tape Guide 11	156884	Arm, Rocker 13
152432	Arm, Stop 6	156047	Spring, Torsion 10	156921	Guide, Adjusting Lever 14
152436	Knob, Range Scale 6	156050	Stud, Eccentric 10	156941	Cam, Selector 3, 5
152438	Bail, Stop Arm 6, 27	156051	Bushing, Eccentric 13	156976	Connector, Plug (32 Pt) 17
152441	Washer, Flat 6, 7	156052	Shoe, Tape 10, 26	156987	Screw (6-40 Spl) 14
152445	Spring, Compression 6, 7	156054	Lever, Detent 10	156988	Race, Outer 14
152457	Wick, Felt 9	156055	Wheel, Die 10	156989	Bearing 14
152458	Shield, Terminal 8	156058	Link, Rear 13	156990	Race, Inner 14
152634	Washer, Flat 13	156060	Shaft, Eccentric 13	156994	Strip, Felt 14
152891	Spring 6	156061	Arm, Tape Shoe 10, 26	156995	Post 14
152893	Screw (4-40 x 1/4 Hex) 3 to 7, 9 to 14, 16 to 19, 21, 23, 28	156062	Post, Pivot 10	156998	Retainer, Roller 14
153184	Post 8	156067	Guide, Slide Post 13	157194	Retainer, Spring 8
153239	Roller 14	156069	Plate 11	157237	Shield, Terminal 8
153267	Washer, Felt 12, 27	156070	Bail, Toggle 13	157261	Shaft, Stop Arm 6, 7
153489	Detent 6, 7	156077	Plate w/Post 13	158169	Frame 5
153537	Screw (6-40 x 9/32 Hex) 9	156078	Contact Asm 17	158170	Gear (21T) 5
153538	Screw (6-40 x 7/16 Hex) 5, 11, 27	156089	Slide w/Insulator 11	158171	Shaft w/Bearing 5
153577	Washer, Felt 22	156090	Screw, Adjusting (6-40) 10	158172	Lever, Latch 9
153799	Screw (4-40 x 21/64 Hex) 20	156093	Washer, Felt 13	158173	Cam, Reset 9
153817	Screw (4-40 x 3/8 Hex) 15, 18, 19	156094	Link, Front 13	158177	Collar 4, 5
153819	Washer, Lock 26	156095	Bushing 13	158180	Cam w/Pins 5
153839	Screw (6-40 x 5/8 Hex) 9, 13, 14, 20, 21, 22	156099	Link, Rear Drag 13	158182	Disk, Clutch Cam 4, 5
154335	Screw (6-40 x 9/32 Fil) 5	156103	Strip, Felt 13	158185	Gear (49T) 5
154349	Spring 6	156104	Shaft 12	158186	Screw (4-40 x 7/32 Fil) 4, 5
154396	Cam w/Pin 3	156132	Bearing, Eccentric 20	158215	Plate, Nut 28
154397	Shaft w/Bearing 3, 5, 20	156136	Bracket, Shaft Mounting 20	158701	Gear (35T) 3, 4
154398	Bearing, Needle 3, 4, 5	156137	Washer, Flat 20	158745	Clamp, Bearing 3, 4, 5
154620	Wick, Leather 6	156152	Shaft, Feed-Out Drive 14	158760	Post, Spring 16
154621	Retainer, Wick 6	156159	Bracket 17	158772	Screw (4-40 x 5/8 Hex) 18
154622	Lubricator 6	156162	Washer, Flat 13	158807	Screw (3-48 x 11/64 Fil) 26
154694	Disk, Clutch Cam 3, 5	156163	Guide 11	158855	Extension 11
155090	Lubricator Asm 6	156165	Washer, Felt 9, 13	158881	Nut, Shoulder (6-40) 5
155096	Plate, Range Finder Mounting 6	156168	Spring 11	158901	Bracket, Guide 7
155556	Link 22	156169	Washer, Felt 13	158902	Lever, Marking Lock 7
155724	Strip, Insulating 24	156172	Rod 12	158904	Lever, Start 7
155725	Plate 24	156173	Stud 11	158905	Lever, Spacing Lock 7
155750	Sleeve, Insulating (3/32 ID x 1/2 Lg) 8, 16, 17	156177	Bracket, Contact 17	158906	Lever, Selecting 7
155752	Sleeve, Insulating (5/64 ID x 1/2 Lg) 26	156183	Bracket, Anchor 10	158907	Spring 7
155753	Sleeve, Insulating (1/8 ID x 1/2 Lg) 17, 26	156184	Bracket, Anchor 10	158919	Camsleeve 4
155781	Bracket 23	156235	Post, Guide 9	158923	Bearing, Sleeve 4
155782	Bracket 24	156236	Collar 25	158924	Disk 4
155783	Plate 24	156248	Latch 9	158925	Slide, Tape Depressor 11
155995	Screw, Shoulder (6-40) 5	156250	Cam 3, 25	158926	Screw (4-40 x 7/32 Hex) 4
156008	Wheel, Feed 10	156257	Bracket Asm 9, 20	158927	Bail, Start 7
		156267	Lever, Trip 9	158930	Knob 7
		156318	Lever, Reset 9	158932	Cam 4
		156366	Shaft, Rocker Bail 14	158933	Lever, Trip 9
		156387	Lever, Trip 9	158935	Frame 3, 4, 14
		156388	Lever, Adjusting 9	158936	Lever, Push 7
		156403	Disk, Bearing 3, 4, 5	158937	Shaft w/Bearing 25
				158940	Wick, Felt 5

NUMERICAL INDEX

Part Number	Description and Page Number	Part Number	Description and Page Number	Part Number	Description and Page Number
190M	Coil, Magnet 19	87401	Spring 9	150040	Screw (6-40 x 5/8 Fil) 3, 4
224M	Coil, Magnet 16, 19	90361	Washer, Felt 13	150043	Shoe, Secondary Clutch 3, 4, 5
254M	Coil, Magnet 8	90517	Spring 7	150044	Shoe, Primary Clutch 3, 4, 5
1036	Nut (6-40 Hex) 10	90560	Washer, Flat 15, 28	150048	Spring 6, 9
1163	Screw (4-40 x 3/16 Fil) 23	90573	Spring 14	150089	Screw (4-40 x 1/2 Fil) 8
2034	Washer, Flat 6, 7, 9, 16, 18, 21	90790	Washer, Flat 16	150241	Spring 3, 4, 5, 7, 9
2191	Washer, Lock 3 to 11, 13 to 22, 24 to 28	90791	Washer, Lock 10	150355	Lever, Latch 9
2438	Washer, Flat 8	90951	Washer, Lock 27	150356	Lever, Trip 9
2481	Washer, Flat 17, 26, 27	91120	Spring 10	150687	Stud 6, 7, 21
2539	Nut (3/8-32 Hex) 20	91139	Roller 25	150830	Bushing, Shoulder 4, 5
2669	Washer, Lock 6, 7, 14	93108	Washer, Lock 5	150841	Bearing 4, 5
3598	Nut (6-40 Hex) 3 to 7, 9, 10, 11, 13, 14, 16, 18, 19, 21, 22, 27, 28	93118	Washer, Lock 11	150923	Washer, Felt 13, 22
3599	Nut (4-40 Hex) 6 to 9, 11, 16, 18, 19, 20	93356	Washer, Felt 9, 10	150978	Screw (6-40 x 1-1/8 Fil) 8
3606	Nut (6-40 Hex) 5, 11	96717	Screw, Shoulder (4-40) 6, 7	150991	Washer, Felt 22
3640	Washer, Lock 3 to 5, 9, 16 to 21, 28	101386	Spring 7	151073	Screw (4-40 x 5/32 Fil) 8, 9, 12, 13, 17, 23
3650	Washer, Flat 16	101796	Washer, Felt 20	151103	Spring 6
4703	Spring 18, 19	103078	Plate 27	151152	Screw (4-40 x 3/16 Hex) 9, 12, 16, 17, 19, 21, 26, 28
4812	Wick, Felt 21	104807	Washer, Flat 28	151222	Washer, Felt 13
5363	Spring, Compression 10	104824	Spring 8	151246	Washer, Flat 3, 4, 5
5740	Screw (2-56 x 1/4 Fil) 11	110434	Screw (4-40 x 3/16 Fil) 6, 7	151336	Oiler 6, 7
7002	Washer, Flat 5, 6, 7, 9, 10, 11, 13, 14, 16 to 20, 24, 27, 28	110743	Washer, Lock 3 to 18, 20 to 24, 26, 28	151346	Screw (6-40 x 3/8 Fil) 5
7603	Spring 18, 19	111017	Screw (6-40 x 5/16 Fil) 14	151362	Wick, Felt 14
7655	Spring 21, 27	111410	Washer, Flat 9	151416	Nut (6-40 Hex) 10, 13
8330	Washer, Flat 6, 7, 9, 13 to 16, 18, 20, 21, 22, 26	111777	Connector, Receptacle (4 Pt) 17	151442	Screw (6-40 x 1/2 Hex) 3 to 6, 9, 16, 19, 27
41382	Spring 6, 7, 10	112352	Washer, Flat 11	151603	Spacer 8
41543	Bearing, Ball 5	112626	Nut (10-32 Hex) 6, 7	151618	Screw (6-40 x 7/16 Fil) 9
41732	Plate, Clamp 17	112967	Washer, Flat 5	151626	Terminal 8, 19, 24, 26
42823	Washer, Flat 3, 4, 5	113039	Post, Spring 21	151629	Nut (6-40 Lug) 9, 13, 14, 20, 21, 22
45024	Spring 14	119647	Ring, Retaining 10	151630	Screw (6-40 x 1/4 Hex) 4 to 7, 9, 10, 14, 17, 20, 22, 27, 28
45104	Spring 18, 19	119648	Ring, Retaining 6, 7, 10, 12, 14, 15, 16, 21, 22, 26, 27	151631	Screw (6-40 x 5/16 Hex) 5, 8, 9, 14, 15, 24
45963	Spring 20	119649	Ring, Retaining 10, 16 to 21, 23, 25	151632	Screw (6-40 x 3/8 Hex) 3, 4, 5, 16 to 20, 25, 28
49084	Spring 17	119650	Ring, Retaining 9, 13, 22	151637	Screw (4-40 x 1/4 Fil) 3, 11, 18, 23, 24
55063	Spring 12, 15, 16	119651	Ring, Retaining 9, 15, 16, 18, 22	151640	Lever, Shoe Release 3, 5
55669	Spring 21	119652	Ring, Retaining 6, 7, 9, 10, 13, 18, 19, 21, 22	151642	Screw (6-40 x 3/4 Fil) 20
70878	Spring 15, 16	119653	Ring, Retaining 21, 22	151657	Screw (6-40 x 1/4 Fil) 4, 6, 7, 9
71073	Washer, Flat 11	119654	Ring, Retaining 4, 5	151658	Screw (6-40 x 5/16 Fil) 3, 4, 5, 20, 23
71437	Washer, Flat 13	119655	Ring, Retaining 20	151659	Screw (6-40 x 1/2 Fil) 20
72522	Wick, Felt 10	119656	Ring, Retaining 20	151685	Screw (4-40 x 5/16 Fil) 20
73175	Washer, Lock 20	121242	Clamp, Cable (1/8 ID) 9	151686	Screw (4-40 x 3/8 Fil) 8
73611	Wick, Felt 17	121243	Clamp, Cable (3/16 ID) 26	151688	Screw (4-40 x 5/8 Fil) 8, 17, 19
74283	Washer, Spring 6, 7	121538	Terminal 8	151690	Screw (10-32 x 5/16 Fil) 3, 4, 5
74727	Terminal, Contact 17	122149	Screw (4-40 Spl) 15	151693	Screw (6-40 x 9/16 Fil) 3, 4, 5
76081	Washer, Flat 8, 9	122292	Bushing, Insulating 27	151694	Screw (6-40 x 11/32 Fil) 17, 20
76099	Washer, Flat 8	124177	Washer, Lock 6, 7, 10, 14	151701	Spring, Torsion 6
76246	Bushing, Insulating 17	124334	Screw (6-40 x 1-27/32 Hex) 24	151703	Pin 15, 23
76422	Spring 21	125011	Washer, Flat 6, 7, 9, 11, 12, 14, 15, 17 to 21, 23, 24, 26, 28	151714	Spring 6, 7
78533	Spring 6, 18, 19	125015	Washer, Flat 8, 9, 13, 27	151715	Spring 8
79012	Insulator 8	125215	Screw (4-40 x 3/16 Hex) 16, 19	151721	Screw (6-40 x 3/4 Hex) 16, 27
80334	Terminal, Contact 27	125231	Nut (10-32 Hex) 14	151722	Screw (6-40 x 3/16 Hex) 9, 10, 14, 19, 27
80755	Bushing, Insulating 17	128357	Ring, Retaining 13	151728	Spring 3, 5
81778	Screw (4-40 x 3/16 Fil) 8	131099	Terminal (5/8" Lg) 24	151732	Screw (4-40 x 11/32 Fil) 22, 24
82463	Spring 18, 19	135716	Spring 9	151736	Spring 4, 5
82474	Terminal 16, 17, 26	139752	Screw (4-40 x 11/64 Fil) 9	151737	Screw (4-40 x 11/64 Hex) 3, 4, 5, 13, 16, 17, 23
82547	Insulator (.094 Thk) 27	144872	Pin 22	151739	Screw (6-40 x 3/16 Hex) 22
82548	Insulator (.062 Thk) 17, 27	150000	Drum, Clutch 3, 4, 20	151880	Nut (40-40 Hex) 21
84226	Spring 18, 19	150001	Drum, Clutch 3, 4, 5	152400	Plate, Selector Mtg 6, 8, 9, 21
84575	Spring 9, 16	150013	Disk, Adjusting 3, 5		
84592	Shim (.004 Thk) 21	150014	Disk, Adjusting 4, 5		
84892	Stiffener 27	150026	Lever, Shoe Release 3		
86079	Washer, Felt 18, 25	150027	Lever, Shoe Release 4, 5		
86304	Spring 15	150029	Wick, Felt 3, 4, 5		
86873	Spring 20	150034	Disk, Clutch (2 Stop) 4, 5		

NUMERICAL INDEX (Continued)

Part Number	Description and Page Number	Part Number	Description and Page Number	Part Number	Description and Page Number
152401	Guide 6,7	156009	Post, Slide 13	156412	Link, Drive 14
152402	Guide, Selector Lever 6, 7	156012	Spring, Punch Block 12	156465	Washer, Spring 3, 4, 5
152403	Bracket, Guide 6	156013	Screw (4-40 Spl) 13	156467	Ring, Retaining 3, 5
152404	Bracket, Spring 6	156015	Plate, Spring 13	156472	Post, Spring 9
152406	Bracket, Spring 6	156016	Link, Front Drag 13	156473	Shaft, Main 25
152407	Lever, Spacing Lock 6	156017	Shaft, Eccentric 13	156490	Post, Guide 9
152409	Lever, Selecting 6	156019	Washer, Felt 10, 22	156515	Washer, Felt 22
152410	Bail, Reset 6	156020	Slide 11	156536	Screw (4-40 x 1/8 Fil) 6, 7, 21
152412	Link 6, 7	156024	Plate, Rear 10,11,13	156558	Washer, Felt 19
152415	Stud, Adjusting 3, 5, 8	156028	Plate, Front 10,12,13,15,16,21	156572	Washer, Felt 17
152420	Lamination, Magnet 8	156036	Guide, Tape 10	156576	Washer, Felt 14
152421	Bracket, Shield Mounting 8	156040	Post 10, 26	156577	Roller, Detent Lever 10
152423	Bracket, Armature Stop Mounting 8	156042	Post, Spacing 10	156632	Screw (6-40 x 13/32 Hex) 11
152425	Post, Spring 8	156043	Bushing 13	156740	Screw (6-40 x 7/32 Hex) 16, 20
152426	Nut, Self-Locking (6-40) 8	156044	Stud, Die Wheel 10	156880	Jumper (2-3/8" Black) 8
152427	Latch w/Hub 6, 7	156045	Shaft, Feed Wheel 10	156881	Jumper (1-1/2" Black) 8
152429	Rack, Sector 6, 7	156046	Block, Tape Guide 11	156884	Arm, Rocker 13
152432	Arm, Stop 6	156047	Spring, Torsion 10	156921	Guide, Adjusting Lever 14
152436	Knob, Range Scale 6	156050	Stud, Eccentric 10	156941	Cam, Selector 3, 5
152438	Bail, Stop Arm 6, 27	156051	Bushing, Eccentric 13	156976	Connector, Plug (32 Pt) 17
152441	Washer, Flat 6, 7	156052	Shoe, Tape 10, 26	156987	Screw (6-40 Spl) 14
152445	Spring, Compression 6, 7	156054	Lever, Detent 10	156988	Race, Outer 14
152457	Wick, Felt 9	156055	Wheel, Die 10	156989	Bearing 14
152458	Shield, Terminal 8	156058	Link, Rear 13	156990	Race, Inner 14
152634	Washer, Flat 13	156060	Shaft, Eccentric 13	156994	Strip, Felt 14
152891	Spring 6	156061	Arm, Tape Shoe 10, 26	156995	Post 14
152893	Screw (4-40 x 1/4 Hex) 3 to 7, 9 to 14, 16 to 19, 21, 23, 28	156062	Post, Pivot 10	156998	Retainer, Roller 14
153184	Post 8	156067	Guide, Slide Post 13	157194	Retainer, Spring 8
153239	Roller 14	156069	Plate 11	157237	Shield, Terminal 8
153267	Washer, Felt 12, 27	156070	Bail, Toggle 13	157261	Shaft, Stop Arm 6, 7
153489	Detent 6, 7	156077	Plate w/Post 13	158169	Frame 5
153537	Screw (6-40 x 9/32 Hex) 9	156078	Contact Asm 17	158170	Gear (21T) 5
153538	Screw (6-40 x 7/16 Hex) 5, 11, 27	156089	Slide w/Insulator 11	158171	Shaft w/Bearing 5
153577	Washer, Felt 22	156090	Screw, Adjusting (6-40) 10	158172	Lever, Latch 9
153799	Screw (4-40 x 21/64 Hex) 20	156093	Washer, Felt 13	158173	Cam, Reset 9
153817	Screw (4-40 x 3/8 Hex) 15, 18, 19	156094	Link, Front 13	158177	Collar 4, 5
153819	Washer, Lock 26	156095	Bushing 13	158180	Cam w/Pins 5
153839	Screw (6-40 x 5/8 Hex) 9, 13, 14, 20, 21, 22	156099	Link, Rear Drag 13	158182	Disk, Clutch Cam 4, 5
154335	Screw (6-40 x 9/32 Fil) 5	156103	Strip, Felt 13	158185	Gear (49T) 5
154349	Spring 6	156104	Shaft 12	158186	Screw (4-40 x 7/32 Fil) 4, 5
154396	Cam w/Pin 3	156132	Bearing, Eccentric 20	158215	Plate, Nut 28
154397	Shaft w/Bearing 3, 5, 20	156136	Bracket, Shaft Mounting 20	158701	Gear (35T) 3, 4
154398	Bearing, Needle 3, 4, 5	156137	Washer, Flat 20	158745	Clamp, Bearing 3, 4, 5
154620	Wick, Leather 6	156152	Shaft, Feed-Out Drive 14	158760	Post, Spring 16
154621	Retainer, Wick 6	156159	Bracket 17	158772	Screw (4-40 x 5/8 Hex) 18
154622	Lubricator 6	156162	Washer, Flat 13	158807	Screw (3-48 x 11/64 Fil) 26
154694	Disk, Clutch Cam 3, 5	156163	Guide 11	158855	Extension 11
155090	Lubricator Asm 6	156165	Washer, Felt 9, 13	158881	Nut, Shoulder (6-40) 5
155096	Plate, Range Finder Mounting 6	156168	Spring 11	158901	Bracket, Guide 7
155556	Link 22	156169	Washer, Felt 13	158902	Lever, Marking Lock 7
155724	Strip, Insulating 24	156172	Rod 12	158904	Lever, Start 7
155725	Plate 24	156173	Stud 11	158905	Lever, Spacing Lock 7
155750	Sleeve, Insulating (3/32 ID x 1/2 Lg) 8, 16, 17	156177	Bracket, Contact 17	158906	Lever, Selecting 7
155752	Sleeve, Insulating (5/64 ID x 1/2 Lg) 26	156183	Bracket, Anchor 10	158907	Spring 7
155753	Sleeve, Insulating (1/8 ID x 1/2 Lg) 17, 26	156184	Bracket, Anchor 10	158919	Camsleeve 4
155781	Bracket 23	156235	Post, Guide 9	158923	Bearing, Sleeve 4
155782	Bracket 24	156236	Collar 25	158924	Disk 4
155783	Plate 24	156248	Latch 9	158925	Slide, Tape Depressor 11
155995	Screw, Shoulder (6-40) 5	156250	Cam 3, 25	158926	Screw (4-40 x 7/32 Hex) 4
156008	Wheel, Feed 10	156257	Bracket Asm 9, 20	158927	Bail, Start 7
		156267	Lever, Trip 9	158930	Knob 7
		156318	Lever, Reset 9	158932	Cam 4
		156366	Shaft, Rocker Bail 14	158933	Lever, Trip 9
		156387	Lever, Trip 9	158935	Frame 3, 4, 14
		156388	Lever, Adjusting 9	158936	Lever, Push 7
		156403	Disk, Bearing 3, 4, 5	158937	Shaft w/Bearing 25
				158940	Wick, Felt 5

NUMERICAL INDEX (Continued)

Part Number	Description and Page Number	Part Number	Description and Page Number	Part Number	Description and Page Number
158941	Bail, Rocker 14	159887	Gear Set 1, 5	161337	Post, Stop 14
158945	Bracket 7	159888	Pinion (28T) 5	161338	Lever, Trip 14
158946	Cable Asm 2, 17	159889	Gear (49T) 5	161339	Lever, Hand 14
158947	Plate 7, 9, 21	159890	Gear Set 1, 5	161342	Lever, Start 6
158949	Plate w/Studs 7	159891	Pinion (21T) 5	161493	Post, Supporting 15
158950	Contact Asm, Code Reading 17	159892	Gear (48T) 5	161495	Plate 23
159011	Bracket, Spring 9	159893	Gear Set 1, 5	161496	Bracket, Spring 23
159039	Spring, Torsion 23	159894	Pinion (14T) 5	161497	Block, Lid 23
159040	Bracket 23	159895	Gear (40T) 5	161499	Plate 23
159041	Post 22	159900	Plate 15	161502	Slide, Sensing 23
159046	Plate, Front 22,	159901	Plate w/Post 15	161652	Plate, Front 21, 23, 24
159049	Bracket w/Studs 22	159902	Shaft, Rake 15	162064	Cable w/Terminals 8
159050	Link 22	159903	Bellcrank 15	162092	Bail, Guide 10
159051	Shaft, Toggle 27	159909	Pawl, Feed 15	162093	Spring, Torsion 10
159053	Plate, Rear 22	159911	Plate 15	162207	Cable w/Terminals 16
159057	Post, Guide 22, 23	159912	Gear, Segment 15	162248	Hub 3, 4, 5
159058	Post 22, 23	159913	Screw, Eccentric (6-40) 15	162271	Modification Kit 2, 17
159059	Arm 22	159916	Eccentric 15	162273	Modification Kit 2, 17
159061	Latch 23	159954	Link, Adjusting 16	162306	Cable 17
159063	Plate, Rear 22	159955	Link, Drive 16	162340	Sleeve 25
159070	Slide 23	159956	Post 16	162341	Bearing 25
159072	Toggle Assembly 22	159957	Link 16	162364	Bearing 25
159074	Shaft 23	159958	Latch 16	162379	Modification Kit 2, 18, 20, 21
159075	Contact Assembly 24	159959	Extension, Latch 16	162380	Modification Kit 2, 19, 20, 21
159077	Plate, Nut 24	159960	Eccentric 16	162573	Retainer 4, 5
159078	Block, Contact 24	159961	Arm, Eccentric 16	162741	Cam 20
159094	Plate 24	159962	Ring, Retaining 16	162742	Pawl, Detent 20
159095	Spring 24	159963	Hub 16	162743	Pawl, Feed 20
159178	Bracket 7	159965	Arm, Adjusting 16	162744	Shaft 20
159180	Lubricator Asm 6, 7	159973	Bracket w/Bushing 16	162745	Lever, Cam Follower 20
159181	Lubricator 6, 7	159974	Eccentric 16	162747	Roller 20
159184	Wick, Lubricating 6, 7	159975	Bail, Armature 16	162748	Lever 20
159185	Retainer, Wick 6, 7	159976	Armature 16, 19	162750	Lever 20
159189	Wick, Oil 9	159977	Hinge 16, 19	162752	Collar 20
159233	Stud 11, 14	159978	Shaft 16, 19	162753	Spacer (.813 Thk) 20
159272	Spring 23	159979	Arm, Non-Repeat 16	162754	Plate 20
159341	Bearing, Ball 3, 4, 5	159980	Post, Spring 16	162755	Bracket, Spring 20
159345	Block, Spacing 24	159987	Bracket, Guide 15	162756	Bushing 20
159379	Modification Kit 2, 17	159988	Plate, Adjusting 26	162757	Shaft 20, 21
159381	Modification Kit 2, 17	159989	Post, Shoe Pivot 26	162758	Lever, Cam Follower 20
159411	Bearing Asm 14	159990	Bail, Guide 26	162760	Latch 18, 19
159427	Bracket, Stop 9	160180	Armature w/Extension 8	162761	Post 18
159428	Retainer, Wick 21	160182	Bracket w/Button 8	162762	Storage Asm, Slide 21
159429	Wick, Felt 21	160184	Plate, Stop 8	162763	Bail, Reset 13, 21
159430	Lever, Slide Trip 9	160185	Post 8, 17	162764	Lever, Slide Trip 21
159431	Lever, Main Trip 9	160186	Bushing, Shoulder 8	162765	Bracket 21
159467	Holder, Wick 9	160187	Shield, Oil 8	162766	Plate w/Post 21
159472	Plate, Main 9, 14, 17	160480	Pusher, Tape 13	162768	Latch 21
159544	Release, Clutch 9	160672	Stud 15	162770	Plate w/Stud 21
159560	Spring 11	160673	Shaft, Feedwheel 15	162772	Link 21
159565	Bracket w/Post 17, 18, 19	160674	Nut, Shoulder (6-40) 15	162773	Plate, Main 18, 19
159568	Bracket, Contact 17	160842	Washer, Spring 20	162774	Post, Spring 18, 19
159570	Spring, Contact 17	160944	Washer, Felt 17	162775	Shaft 18, 19, 21
159571	Stiffener 17	160948	Screw (2-56 Spl) 10	162776	Plate 18
159575	Bracket, Stop 17	160997	Roller 17	162778	Lever 18, 19, 21
159578	Bail, Front Contact 17	160998	Arm 17	162780	Shaft 18, 19
159579	Bail, Rear Contact 17	161100	Spring, Contact 17	162781	Lever 18, 19
159580	Shaft, Actuating Bail 17	161102	Spring, Contact 17	162784	Screw, Eccentric (4-40) 18, 19
159601	Bracket, Spring 17	161107	Stud 10	194065	Contact Assembly 17
159625	Bracket, Bail Guide 14	161108	Stud 11	194066	Modification Kit 2, 17
159651	Plate, Nut 9	161109	Post, Guide 13	194067	Bracket, Mounting 17
159652	Plate w/Bushing 9, 14	161237	Cable Asm 26	194068	Bracket, Contact 17
159656	Block Asm, Punch 12	161238	Connector, Receptacle (36 Pt) 26	194100	Block Asm, Punch 12
159816	Stud 11	161239	Connector, Plug (36 Pt) 26	194162	Bail, Reset 13
159820	Connector, Receptacle (32 Pt) 17	161240	Bracket, Connector 26	194164	Bearing, Ball 20, 21
159865	Drum, Clutch 5	161305	Cable Asm 26	194167	Modification Kit 2, 17
159880	Slide 6	161334	Lever, Stop 14	194168	Lever, Cam Follower 20

NUMERICAL INDEX (Continued)

Part Number	Description and Page Number	Part Number	Description and Page Number	Part Number	Description and Page Number
162785	Bushing, Eccentric 18, 19	170081	Knob 6	173338	Modification Kit 5
162786	Arm, Blocking 18, 19	170107	Guide, Tape 10	173340	Collar 3, 4, 5
162788	Post 18, 19	170124	Lubricator Asm 6	173443	Modification Kit 2, 19, 20, 21
162790	Lever w/Hub 18	170125	Lever, Shoe Release 3, 5	173601	Cam 20
162791	Shaft 18, 19	170193	Guard, Back Space 15	173602	Plate w/Stud 21
162792	Arm, Detent 18, 19	170198	Arm, Stop 6, 7	173604	Post, Spring 21
162793	Ratchet (42T) 18, 19	170199	Bracket, Anchor 10	173606	Bail w/Hub 21
162794	Hub, Back Stop 18, 19	170201	Shaft w/Bearing 3, 5, 20	173607	Lever 21
162795	Ratchet (42T) 18, 19	170202	Post, Guide 9	173609	Roller 21
162796	Cam 18	170203	Lever, Slide Trip 9	173614	Link w/Stud 21
162797	Plate, Adjusting 18, 19	170204	Bracket, Spring 9	173616	Lever w/Hub 21
162798	Roller 18, 19	170206	Post, Guide 13	173618	Bail 21
162799	Post, Spring 18, 19	170210	Block Asm, Punch 12	173619	Bracket, Magnet 19
162800	Block, Stop 18, 19	170211	Arm, Rocker 13	173620	Bail, Armature 19
162802	Pawl, Detent 18, 19	170215	Spring, Punch Block 12	173621	Cable w/Terminals 19
162803	Post, Drive Link 18	170216	Plate, Front 10, 12, 13, 21	173691	Cam 19
162804	Link, Drive 18	170217	Post 10, 26	173921	Modification Kit 10
162809	Spring 21	170218	Shaft, Feed Wheel 10	174439	Modification Kit 2, 27
162862	Bar, Mounting 9, 17	170219	Stud, Die Wheel 10	174441	Lever w/Bushing 27
162912	Guard, Rear 4	170220	Guide, Tape 10	174442	Contact Asm 27
162920	Chute, Chad 28	170225	Block, Tape Guide 11	174444	Spring, Contact 27
162930	Frame 4, 14	170230	Knob 6	174445	Bracket, Contact Mounting 27
162988	Bail, Retraction 14	170231	Guide, Upper 6	174446	Spring, Contact 27
162993	Block Asm, Punch 12	170232	Guide, Lower 6	174447	Post 27
162994	Block Asm, Punch 12	170233	Stud 6, 21	174448	Guard 27
163009	Pinion (21T) 5	170234	Bracket, Guide 6	174449	Bracket 27
163010	Gear (49T) 5	170235	Bracket, Spring 6	174450	Cam 27
163015	Pinion (28T) 5	170236	Lever 6	174451	Cam 27
163018	Gear (49T) 5	170237	Lever, Start 6	174452	Spacer (.085 Thk) 27
163019	Pinion (21T) 5	170238	Bail, Reset 6	176266	Spring, Torsion 9
163020	Gear (48T) 5	170240	Frame 3, 5	176286	Lever, Adjusting 20
163021	Pinion (28T) 5	170241	Screw, Adjusting (6-40) 10	176420	Modification Kit 2, 27
163022	Gear (80T) 5	170242	Slide, Feed Hole Punch 11	176421	Modification Kit 2, 27
163023	Gear Set (60 WPM) 1, 5	170244	Wheel, Die 10	176489	Guide 9
163024	Gear Set (75 WPM) 5	170245	Wheel, Feed 10	176490	Bracket w/Hubs 9, 20
163025	Gear Set (100 WPM) 1, 5	170246	Slide w/Insulator 11	176628	Modification Kit 2, 19, 20, 21
163114	Post, Spring 18, 19	170247	Guide 11	176640	Guard, Tape 9
163255	Nut, Shoulder (6-40) 18, 19	170264	Post, Guide 9	176647	Latch w/Hub 16
163326	Lever w/Hub 20	170306	Modification Kit 28	179252	Modification Kit 28
163327	Ring, Retaining 14, 20	170767	Gear (28T) 3	179256	Chute, Chad 28
163347	Modification Kit 2, 18, 20, 21	170768	Gear (80T) 3	179573	Nut (6-40 Hex) 10, 13, 20, 21
163351	Cam 18	170769	Gear (32T) 3	182909	Spring 6
163674	Chute, Chad 28	170770	Gear (56T) 3	192493	Spring 6
164272	Modification Kit 28	170778	Block Asm, Punch 12	192499	Cam, Selector 3, 5
164273	Chute, Chad 28	170779	Wheel, Feed 10	192661	Post 14
164275	Chute, Chad 28	170788	Wheel, Die 10	192662	Link w/Stud 14
164278	Chute, Chad 28	170803	Bail, Retractor 12	192709	Link w/Hub 14
164279	Chute, Chad 28	170871	Gear (35T) 3	192793	Guard 17
164300	Spacer (.100 Thk) 11	170872	Gear (80T) 3	193623	Cam, Selector 3
164307	Spring, Punch Block 12	170879	Slide, Feed Hole Punch 11	193639	Lever w/Shaft 20
164386	Bracket, Magnet Mounting 8, 27	170907	Plate, Adjusting 19	193784	Screw, Contact 24
164511	Lever w/Hub 10	171695	Gear Set 3	193790	Lever w/Contact 24
164513	Pawl, Feed 13	171696	Gear Set 3	193791	Lever w/Contact 24
164515	Spring, Torsion 10	171697	Gear Set 3	193804	Armature 16
164740	Rack, Range Finder 27	172112	Depress Asm, Tape 11	193821	Bracket w/Post 16
164743	Shaft 27	172118	Bracket 11	193822	Clamp 16
164790	Sleeve, Cam 4	172632	Screw (4-40 x 3/16 Hex) 27	193824	Latch w/Hub 16
164800	Spring, Punch Block 12	172639	Spring, Torsion 21	193852	Spring 3
164801	Block, Tape Guide 11	172983	Bracket, Spring 13	193966	Bracket w/Stud 9
164804	Shaft w/Bearing 4	172984	Bracket, Spring 12	193968	Post 9
164851	Wheel, Feed 10	172993	Spring 12	193969	Post 9
164883	Lever, Cam Follower 21	173139	Bracket 14	193970	Plate, Clamp 9
164884	Lever w/Stud 21	173200	Sleeve, Bearing 3	193973	Platform, Tape 9
164886	Link 21	173203	Sleeve, Bearing 4, 5	193974	Depressor, Tape 9
164887	Post 21	173204	Shaft w/Bearings 4	193976	Bail, Rocker 14
164888	Lever w/Post 21	173336	Modification Kit 3	193987	Bracket, Roller 9
170077	Cam, Selector 3, 5	173337	Modification Kit 4	193993	Modification Kit 9, 14

NUMERICAL INDEX (Continued)

Part Number	Description and Page Number	Part Number	Description and Page Number	Part Number	Description and Page Number
194179	Bearing, Eccentric 20	195231	Spring, Compression 9	199506	Gasket 12
194180	Cam 20	195233	Roller 9	199825	Bail w/Hub 21
194181	Camsleeve, Feed-Out 20	195251	Armature, Selector 8	199859	Bushing 20
194197	Spring, Torsion 21	195634	Modification Kit 8	199992	Bail, Stripper 7
194862	Extension 28	195673	Block Asm, Punch 12	304532	Spring 20
194992	Modification Kit 12, 26	197971	Bracket, Tape Guide 22	304794	Guide Asm, Tape 23
194993	Guide, Tape 12	197972	Guide, Tape 22	304897	Depressor, Tape 23
195182	Pinion (20T) 5	197973	Plate, Cover 22	305638	Bracket, Guide 13
195183	Gear (52T) 5	197982	Cable 24	306755	Lever, Marking Lock 6
195184	Gear Set (67 WPM) 5	199403	Screw, Shoulder (4-40) 21		