

28 RECEIVING-ONLY REPERFORATOR OR TAPE PRINTER BASE (LRB)

and

28 RECEIVING-ONLY MULTIPLE REPERFORATOR BASE (LMRB)

| PAINT FINISH COLOR CODE CHART (For parts and assemblies requiring a paint finish) | | | | | | | | | |
|--|-----------------|---------------|----------------|--------------|---------------------|-----------------|---------------|----------------|--------------|
| Color | Finish Suffixes | | | | Color | Finish Suffixes | | | |
| | Wrinkle Finish | Smooth Finish | Textured Vinyl | Smooth Vinyl | | Wrinkle Finish | Smooth Finish | Textured Vinyl | Smooth Vinyl |
| Black | AA (37) | BB | | | Brussels Light Blue | | EC | | |
| Dark Brown | AD (38) | | | | Medium Blue | | ES | | |
| Gray Green | AB (40) | BK | GA (45) | | Cherry Red | | EF | | |
| Charcoal Gray | AL | BZ | | HA | Pastel Yellow | | EG | | |
| Dark Gray | | | GB | | White | | EH | | |
| Light Gray | | EJ | | HB (68) | Ivory | | EM | | |
| Beige Gray | | | GC | | Beige | | ET | | |
| Light Beige | | EL | | HC | Rose Beige | | ER | | |
| Moss Green | | EN | | HD | Rose Pink | | EU | | |
| Eye Rest Green | | EA | | | Dark Covert Gray | | | | HE |
| Turquoise | | EV | | | Light Olive Gray | | EW | GE | HF (46) |
| Aqua Blue | | EK | | | Fawn | | | | HG |

The double asterisk (**) denotes a painted part. Suffix to be applied following the part number. Number in parenthesis indicates Bell System code.

| FIGURE | CONTENTS | PAGE |
|--------|---|------|
| 1 | Reperforator Base (Single Plate) | 3 |
| 2 | Reperforator Base (Single Plate) | 4 |
| 3 | 159377 Modification Kit to Provide Single Speed Drive | 5 |
| 4 | Reperforator Base (Double Plate) | 6 |
| 5 | Reperforator Base (Double Plate) | 7 |
| 6 | Tape Container Assemblies | 8 |
| 7 | Modification Kits to Provide Variable Speed Drive | 9 |
| 8 | Modification Kits to Provide Variable Speed Drive | 10 |
| 9 | Multiple Reperforator Base (With Cross-Shaft) | 11 |
| 10 | Cross-Shaft Mechanism for Multiple Reperforator Base | 12 |
| 11 | Multiple Reperforator Base (With Cross-Shaft and Intermediate-Shaft) | 13 |
| 12 | Cross-Shaft and Intermediate Shaft Mechanism for Multiple Reperforator Base | 14 |
| 13 | 161527 Tape Container Assembly | 15 |
| 14 | 161678 Modification Kit to Install a Multiple Reperforator Base (LMRB) in a Model 28 Cabinet (LBAC) | 16 |
| 15 | Auxiliary Reperforator Base | 17 |
| 16 | Gear Bracket Assembly | 18 |
| 17 | Auxiliary Reperforator Base Gearing Mechanism | 19 |
| 18 | 161815 and 176287 Modification Kits to Mount an Auxiliary Typing Reperforator Base | 20 |
| 19 | Miniaturized Receiving Only Reperforator Base | 21 |
| 20 | 174492 Tape Container Assembly | 22 |
| 21 | 174459 Modification Kit to Provide a Sliding Base | 23 |
| 22 | 176100 Variable Speed Mechanism Assembly | 24 |
| 23 | 176100 Variable Speed Mechanism Assembly | 25 |
| 24 | Miniaturized Base | 26 |
| 25 | Miniaturized Base | 27 |
| 26 | 164873** (7/8") and 193794** (1") Tape Container Assemblies with Tape-Out Switch | 28 |
| 27 | 162957** Tape Winder Assembly | 29 |
| 28 | Typing Reperforator Base with Extension | 30 |
| 29 | Electrical Components | 31 |
| 30 | 195388 Modification Kit to Relocate Power Switch from the Rear to the Front | 32 |
| 31 | 173484 Modification Kit to Provide Power Factor Correction for Multiple Base | 32 |
| 32 | 164341 and 176542 Modification Kits to Provide Chad Disposal on Multiple Reperforator Bases | 33 |
| 33 | Modification Kits to Provide Chad Disposal | 34 |
| 34 | 193667** Modification Kit to Provide a Sprocket Guard for Multiple Reperforator Bases | 35 |
| 35 | Gear Chart for Self-Contained Non-typing Reperforator | 35 |
| 36 | Tape Printer Base (Miniaturized) | 36 |
| 37 | Tape Printer Base - continued (Miniaturized) | 37 |
| 38 | Cable Chart | 38 |
| 39 | Cable Chart | 39 |
| | Numerical Index | 40 |

**Refer to page 1 for finish suffix.

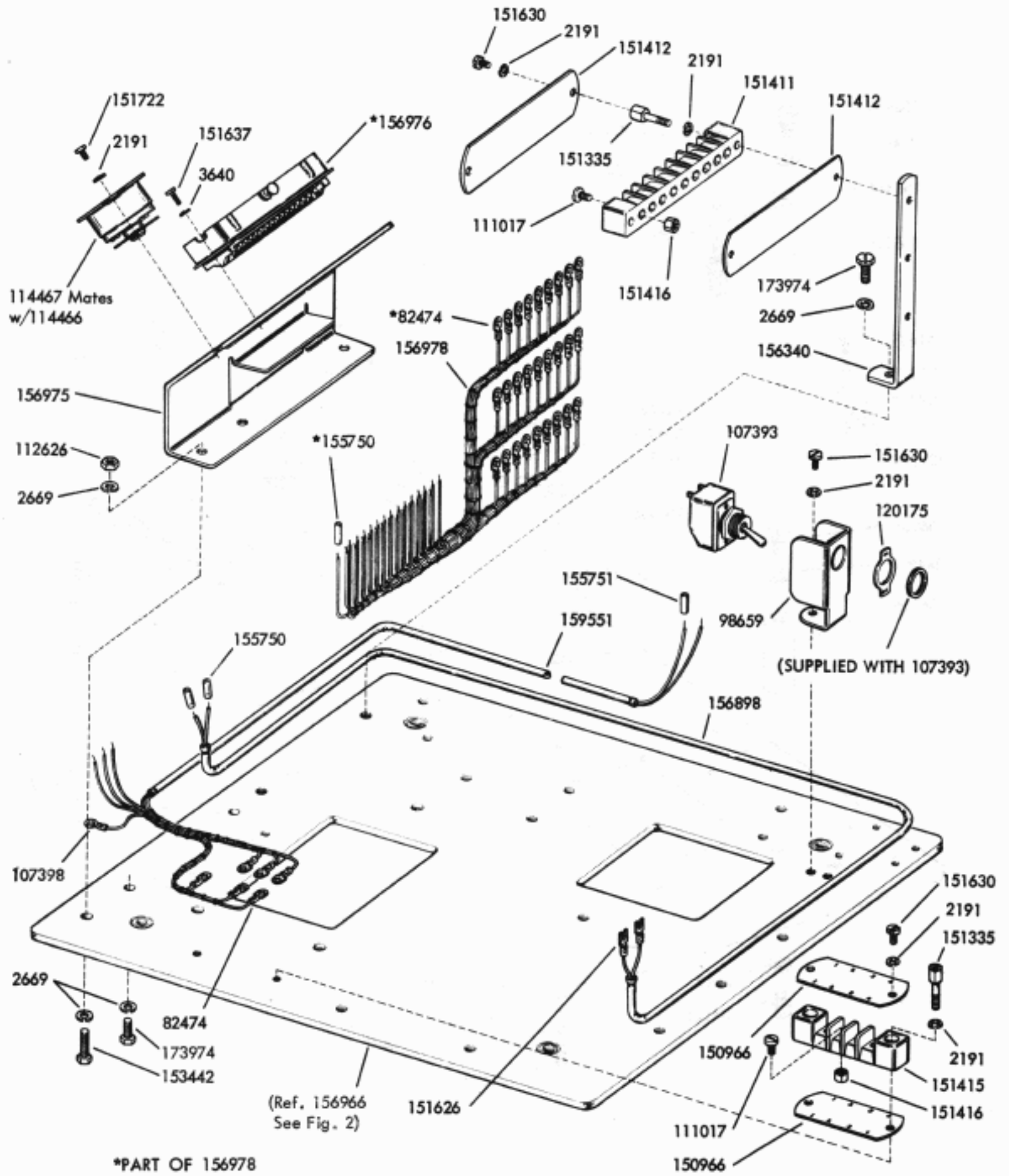


FIGURE 1. REPERFORATOR BASE (SINGLE PLATE)

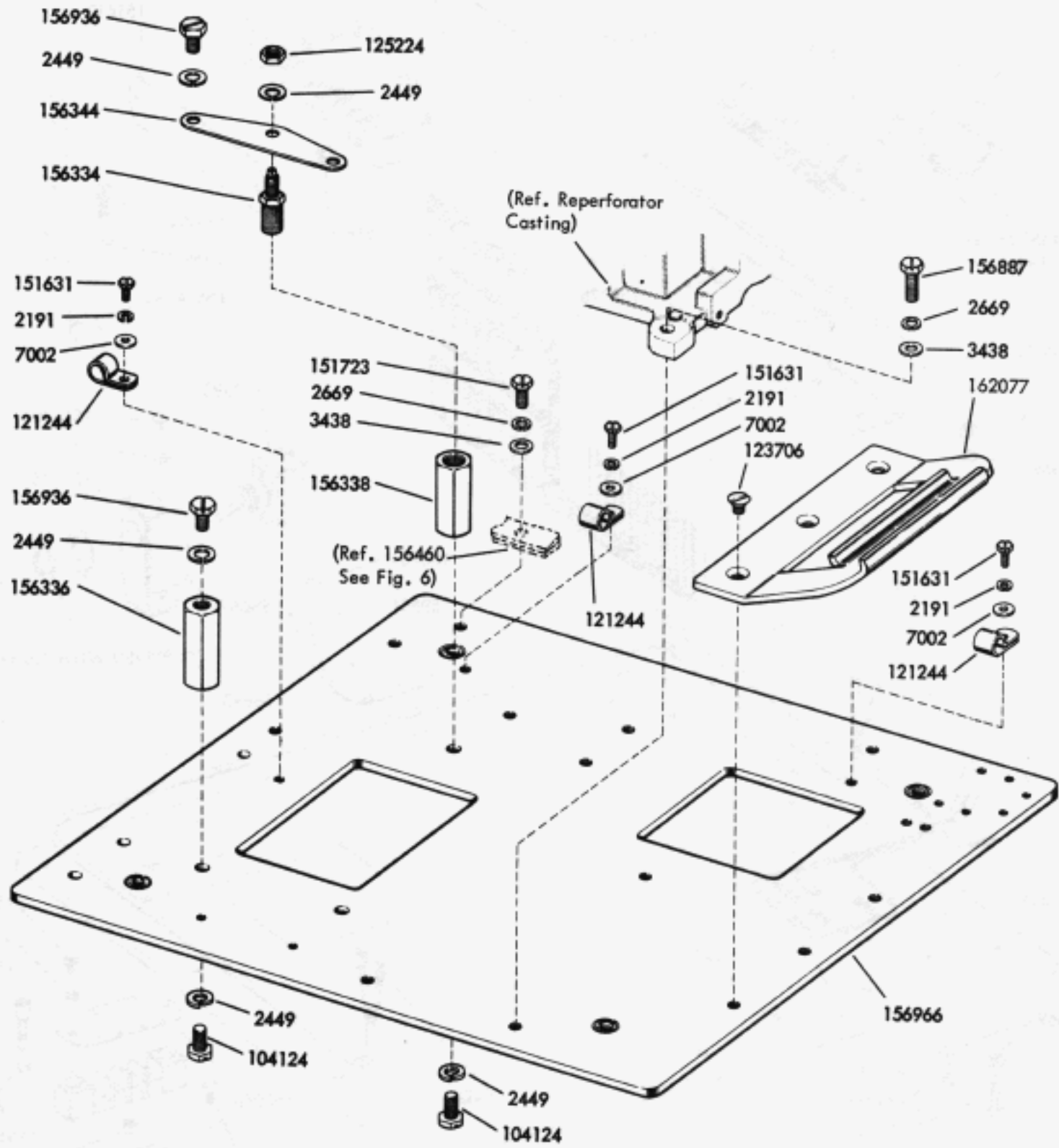


FIGURE 2. REPERFORATOR BASE (SINGLE PLATE)

| Speed Change Gears for Self-Contained Units (LRB & LPR) (Order Separately) | | | | | | |
|---|--------------|--------------|----------------------------|----------------|-----------|-------|
| Set Number | Pinion | Driven Gear | Approx. O.P.M. (Receiving) | Approx. W.P.M. | Unit Code | Baud |
| 161519 | 161104 (11T) | 161103 (49T) | 461.7 | 67 | 7.42 | 50.00 |
| 161654 | 156982 (9T) | 156981(44T) | 420 | 60 | 7.42 | 45.45 |
| 161655 | 156984(12T) | 156983(47T) | 525.7 | 75 | 7.42 | 56.88 |
| 161656 | 156986(14T) | 156985(42T) | 685 | 100 | 7.42 | 74.2 |
| *176295 | 176296(15T) | 176297(43T) | 692 | 107 | 7.00 | 75 |

*Must use 162218 (29T) Sprocket. The 162218 Sprocket is not part of the 159377 Modification Kit

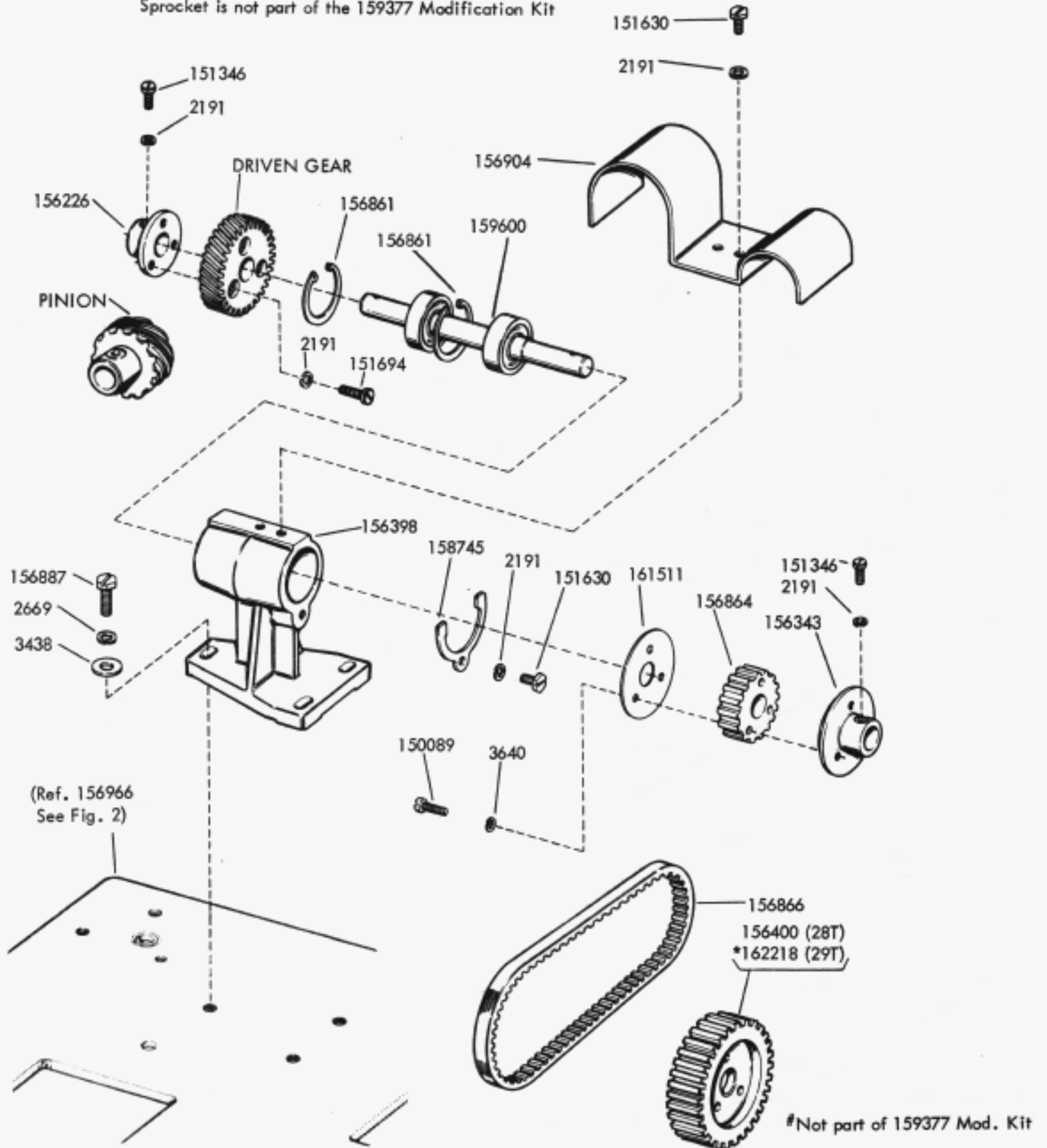
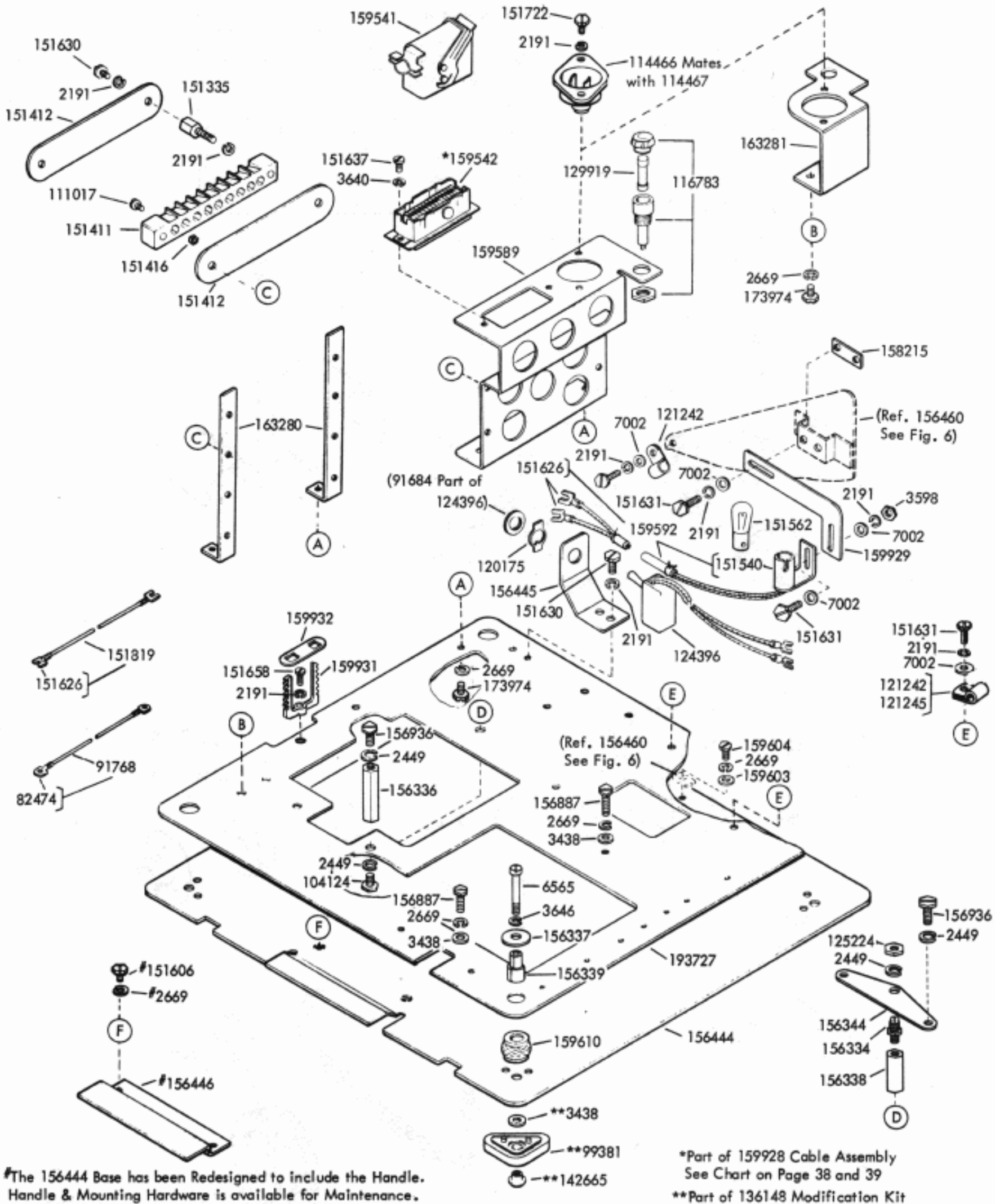


FIGURE 3. 159377 MODIFICATION KIT TO PROVIDE SINGLE SPEED DRIVE



#The 156444 Base has been Redesigned to include the Handle. Handle & Mounting Hardware is available for Maintenance.

*Part of 159928 Cable Assembly See Chart on Page 38 and 39
 **Part of 136148 Modification Kit

FIGURE 4. REPERFORATOR BASE (DOUBLE PLATE)

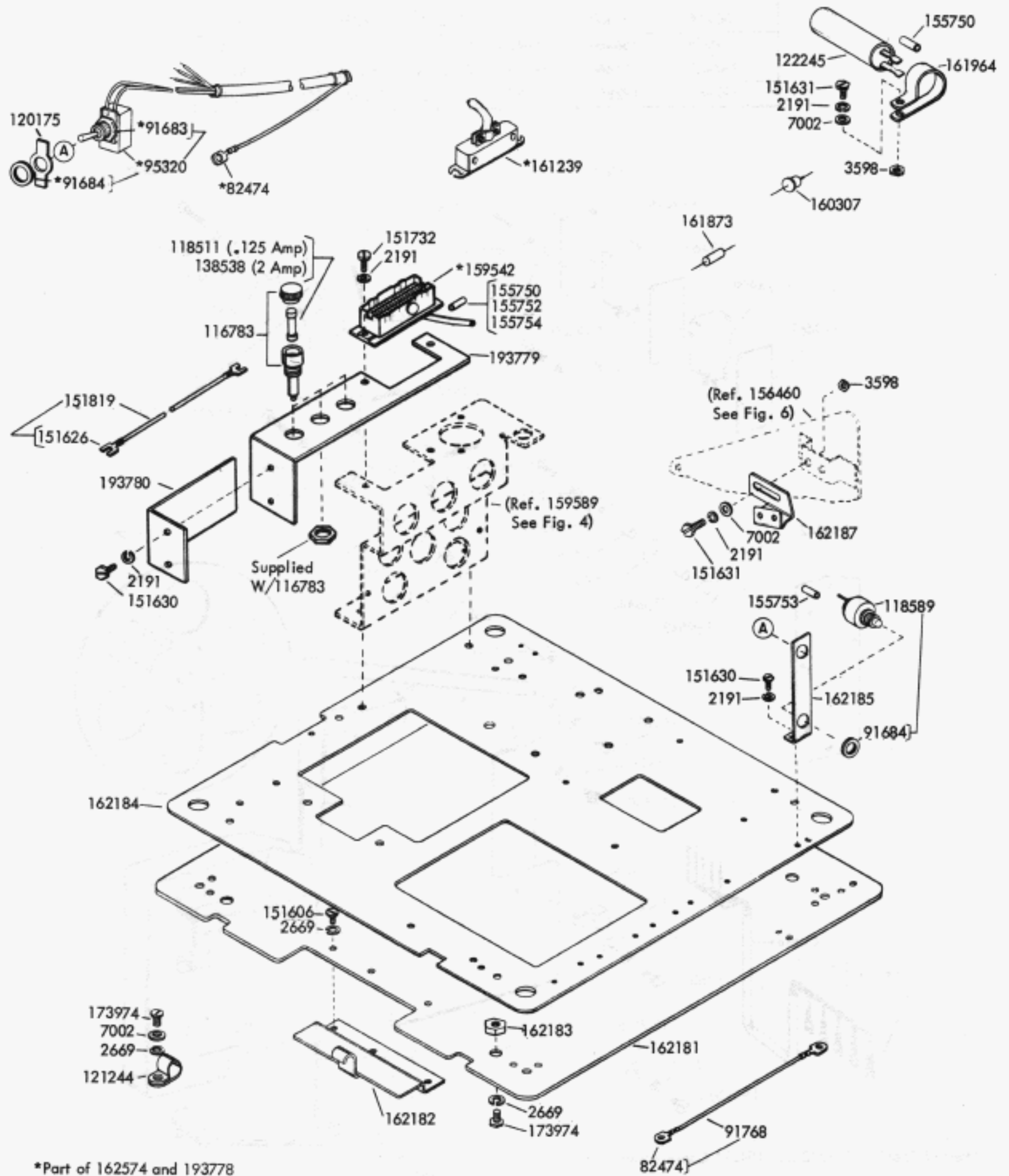


FIGURE 5. REPERFORATOR BASE (DOUBLE PLATE)

| Tape Container Assembly | Panel | Guide w/ Roller | Post | Tape Reel | Cable Assembly |
|-------------------------|--------|-----------------|----------|-------------|----------------|
| 156974 | 156460 | 156470 | 207223WU | 158289 (2") | 156972 |
| 162079 | 156460 | 156470 | 207223WU | 162075 (1") | 162374 |
| 164423 | 156460 | 163868 | 207223WU | 158289 (2") | 156972 |
| 192867 | 192865 | 193837 | 192868 | 192864 (2") | 194221 |

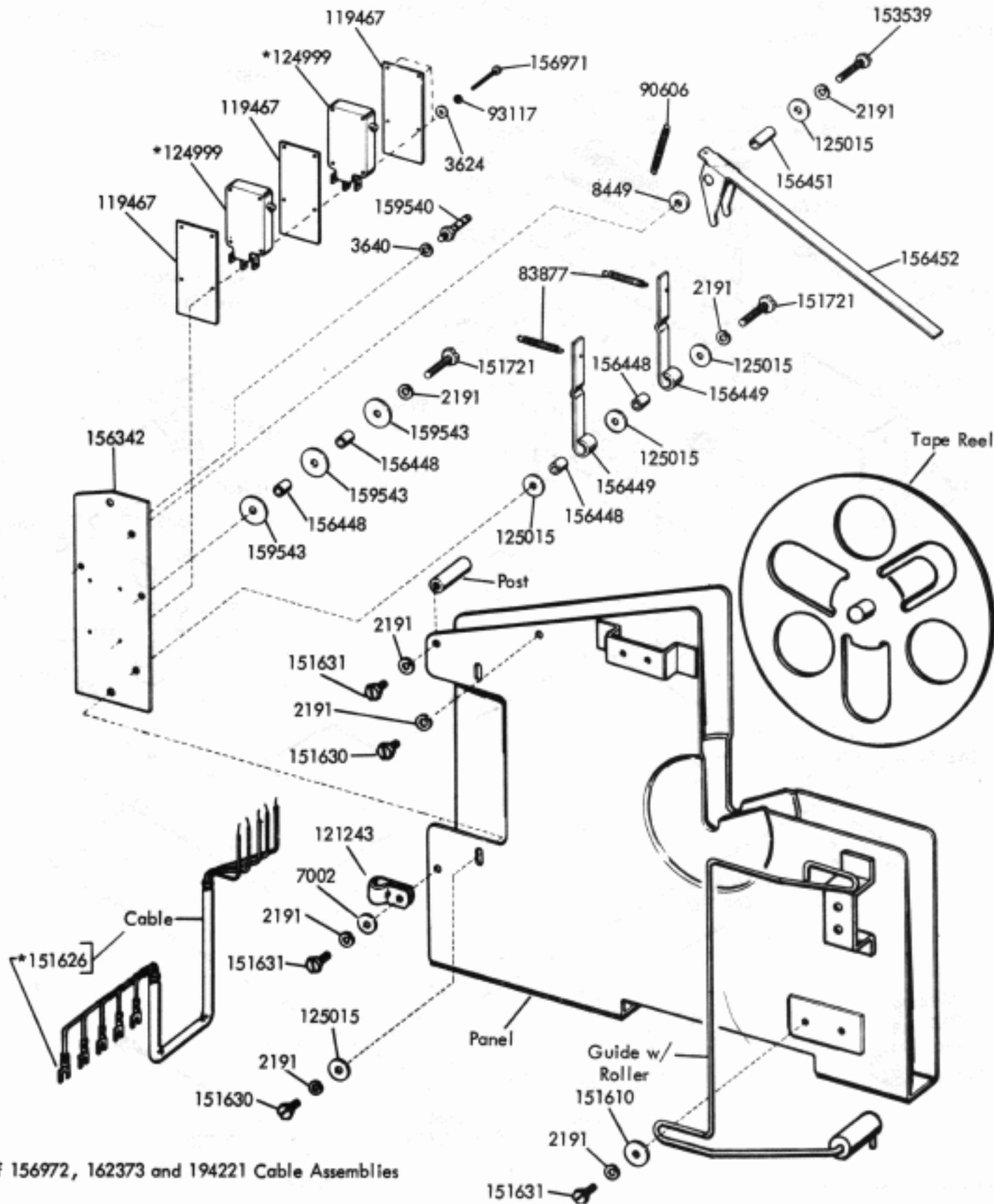
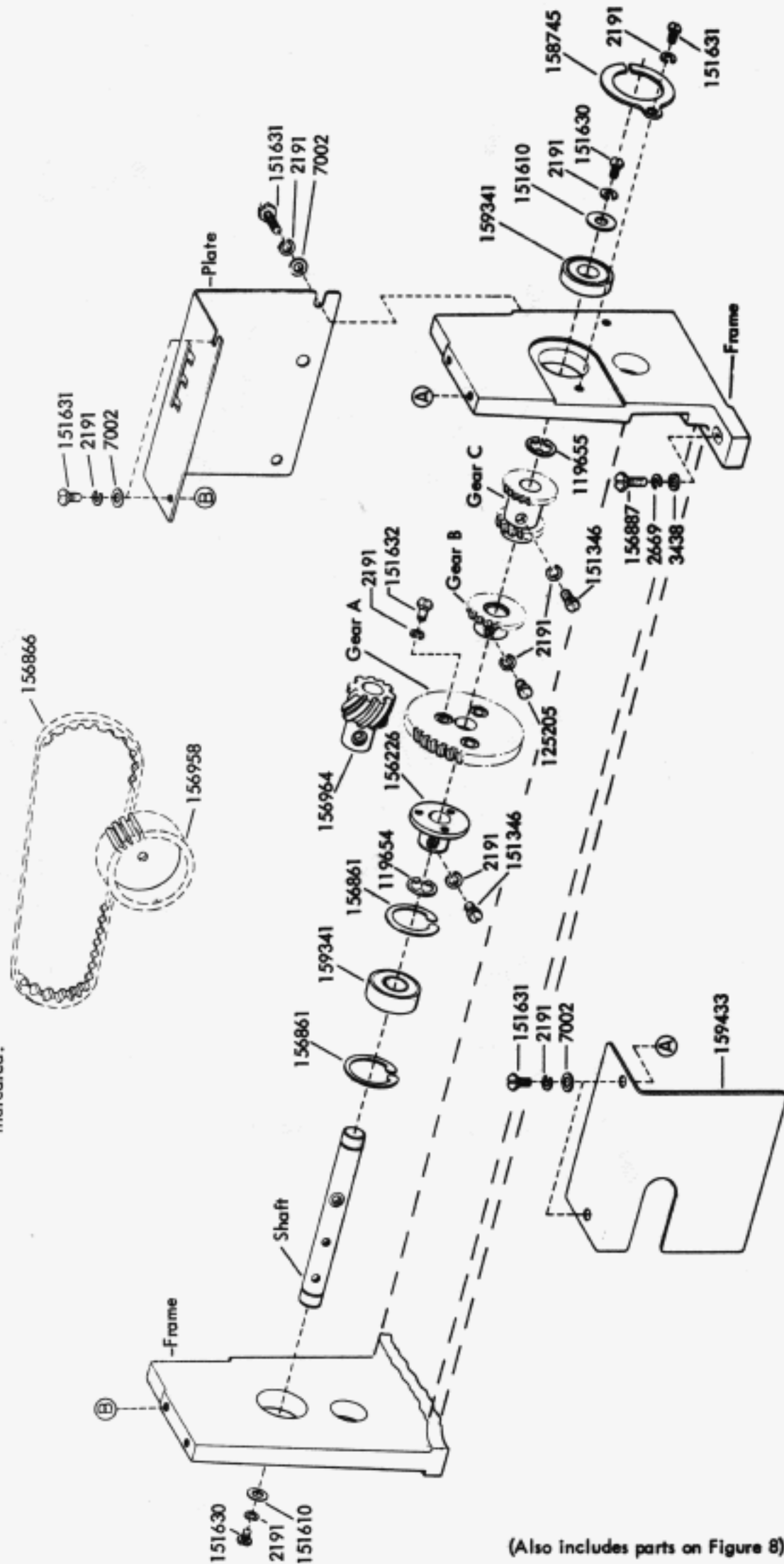


FIGURE 6. TAPE CONTAINER ASSEMBLIES

| Modification Kit | Frame | Shaft | Gear A | Gear B | Gear C | Plate |
|----------------------------|--------|--------|--------|--------|--------|--------|
| 159417 (60, 75, 100 WPM) | 156965 | 156967 | 156949 | 158712 | 158732 | 156968 |
| 163256 (60, 67, 75 WPM) | 156965 | 163264 | 163260 | 163261 | 158732 | 163328 |
| 179965 (45.5, 50, 75 Baud) | 192685 | 156967 | 163260 | 179963 | 178870 | 179969 |

Note:
 Parts are common to all three Modification Kits unless otherwise indicated.



(Also includes parts on Figure 8)

FIGURE 7. MODIFICATION KITS TO PROVIDE VARIABLE SPEED DRIVE

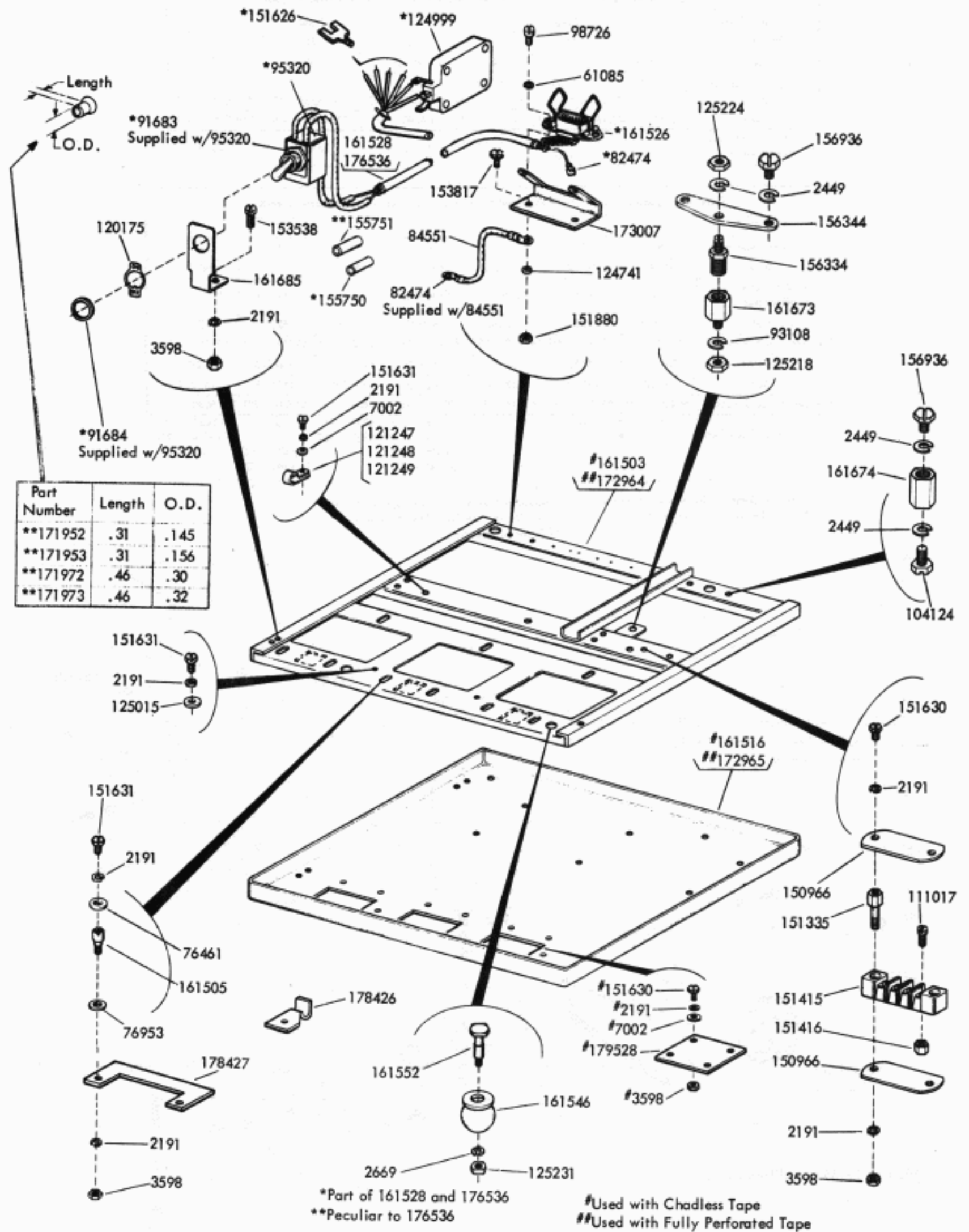


FIGURE 9. MULTIPLE REPERFORATOR BASE (WITH CROSS-SHAFT)

| Gear Arrangements for Multiple Mounted Reperforators Driven at Common Speed | | | | | | |
|---|--------------|--------------|--------------|---------------|---------------|---------------|
| Unit Code | 7.42 | | | 7.00 | | |
| WPM (Nominal) | 60 | 75 | 100 | 65 | 71 | 107 |
| Baud | 45.45 | 56.88 | 74.2 | 45.45 | 50 | 75 |
| Motor Gear Set | 161530 | 161533 | 161536 | | | |
| Pinion | 161532 - 9T | 161535 - 12T | 161538 - 14T | *164339 - 10T | *164337 - 9T | *164339 - 10T |
| Gear | 161531 - 44T | 161534 - 47T | 161537 - 42T | *164340 - 37T | *164338 - 40T | *164340 - 37T |
| Mod. Kit at Each Reperforator | 161680 | | | #173584 | 161680 | 162213 |

| Gear Arrangements for Multiple Mounted Reperforators Driven at Independent Speeds | | | | | | | |
|---|--------------|--------------|--------------|--------------------------------|-------------------------------|--------------------------------|-------------------------------|
| Unit Code | 7.42 | | | 7.00 | | | |
| WPM (Nominal) | 60 | 75 | 100 | 65 | 71 | 107 | 121 |
| Baud | 45.45 | 56.88 | 74.2 | 45.45 | 50 | 75 | 84.7 |
| Mod Kit at Each Reperforator | 161680: | 162213: | 162217: | #173584: | 161680: | 162213: | **173023: |
| Hub | 161509 | 162215 | 162220 | 161509 | 161509 | 162215 | 162220 |
| Cross-Shaft Sprocket | 161510 - 16T | 162214 - 20T | 162219 - 27T | 161510 - 16T | 161510 - 16T | 162214 - 20T | 162219 - 27T |
| Retainer | 161511 | 162216 | 162221 | 161511 | 161511 | 162216 | 162221 |
| Belt | 161520 | 161520 | 162222 | 162222 | 161520 | 161520 | 162222 |
| Reperforator Sprocket | 156400 - 28T | 156400 - 28T | 162218 - 29T | 173583 - 33T | 156400 - 28T | 156400 - 28T | #156400 - 28T |
| Motor Gear Sets | 161530 | | | *164339 - 10T *164340 - 37T | *164337 - 9T *164338 - 40T | *164339 - 10T *164340 - 37T | *164337 - 9T *164338 - 40T |

*Motor Gear Set Numbers not Assigned.
**Non-Typing Reperforators Only.

#Modification Kit Contains Sprocket and Belt Drive Parts for 3 Reperforators.
##Order Separately

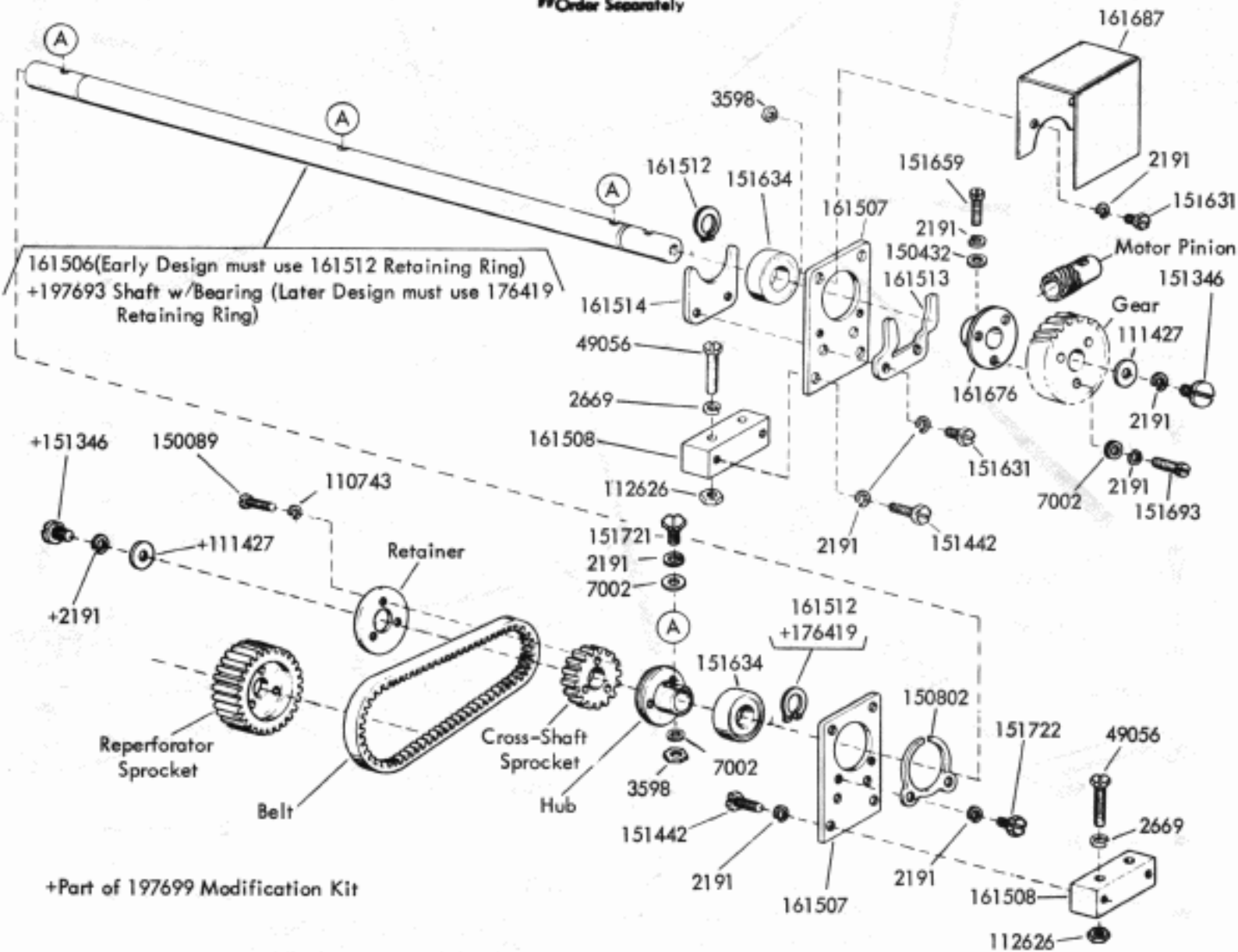


FIGURE 10. CROSS-SHAFT MECHANISM FOR MULTIPLE REPERFORATOR BASE

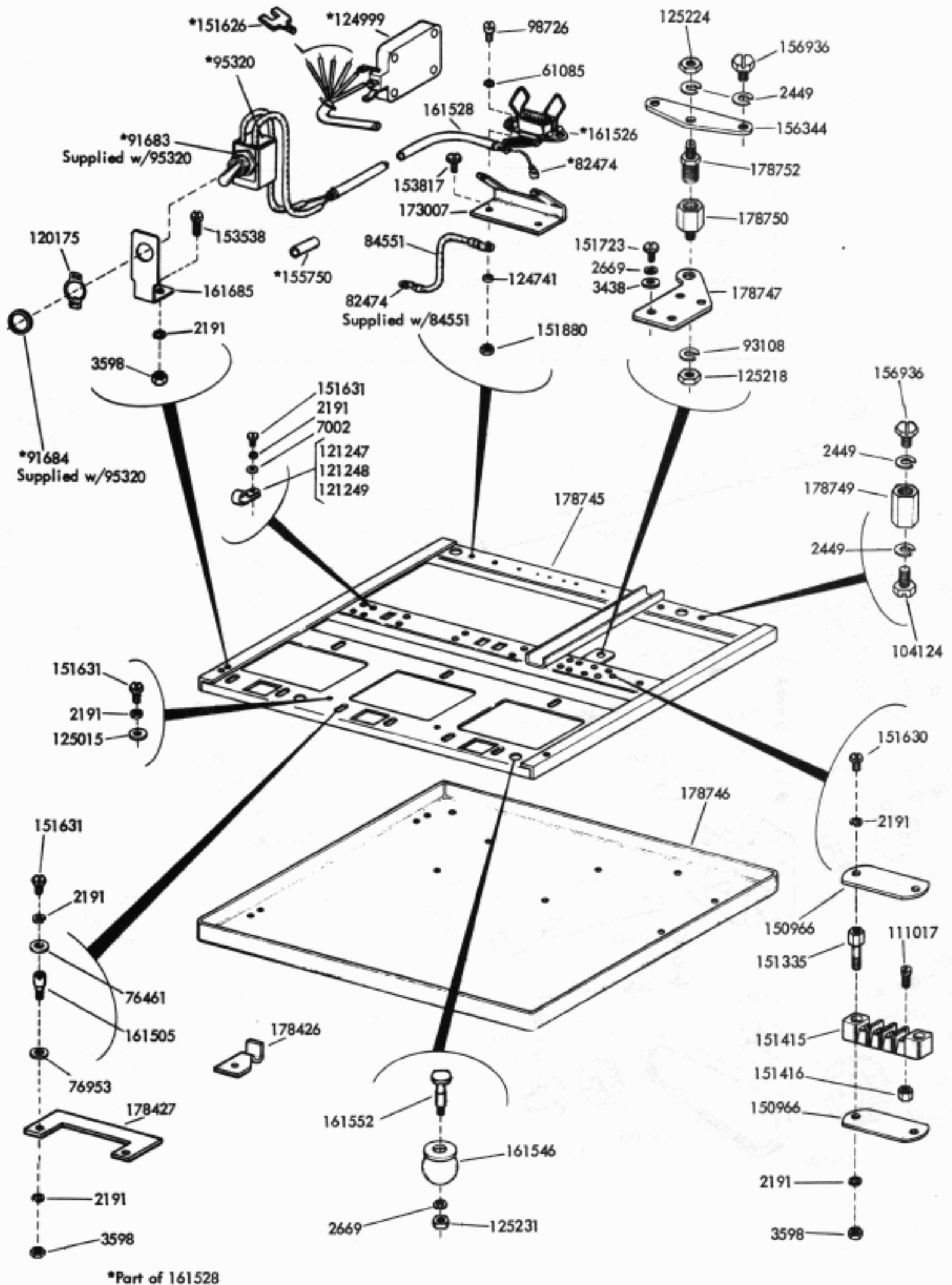


FIGURE 11. MULTIPLE REPERFORATOR BASE (WITH CROSS-SHAFT AND INTERMEDIATE-SHAFT)

| Gear Chart | | | | | |
|--------------|--------------------|--------------|-----------|---------------|-------|
| Gear Set No. | Cross Shaft Pinion | Gear | Unit Code | WPM (Nominal) | Baud |
| 178798 | 178799 - 54T | 178800 - 53T | 7.00 | 107 | 75 |
| 178801 | 178802 - 33T | 178803 - 49T | 7.00 | 71 | 50 |
| | | | 7.50 | 66 | 50 |
| 178804 | 178810 - 30T | 178811 - 49T | 7.00 | 65 | 45.45 |
| 178813 | 178814 - 37T | 178815 - 37T | 7.00 | 106 | 74.2 |

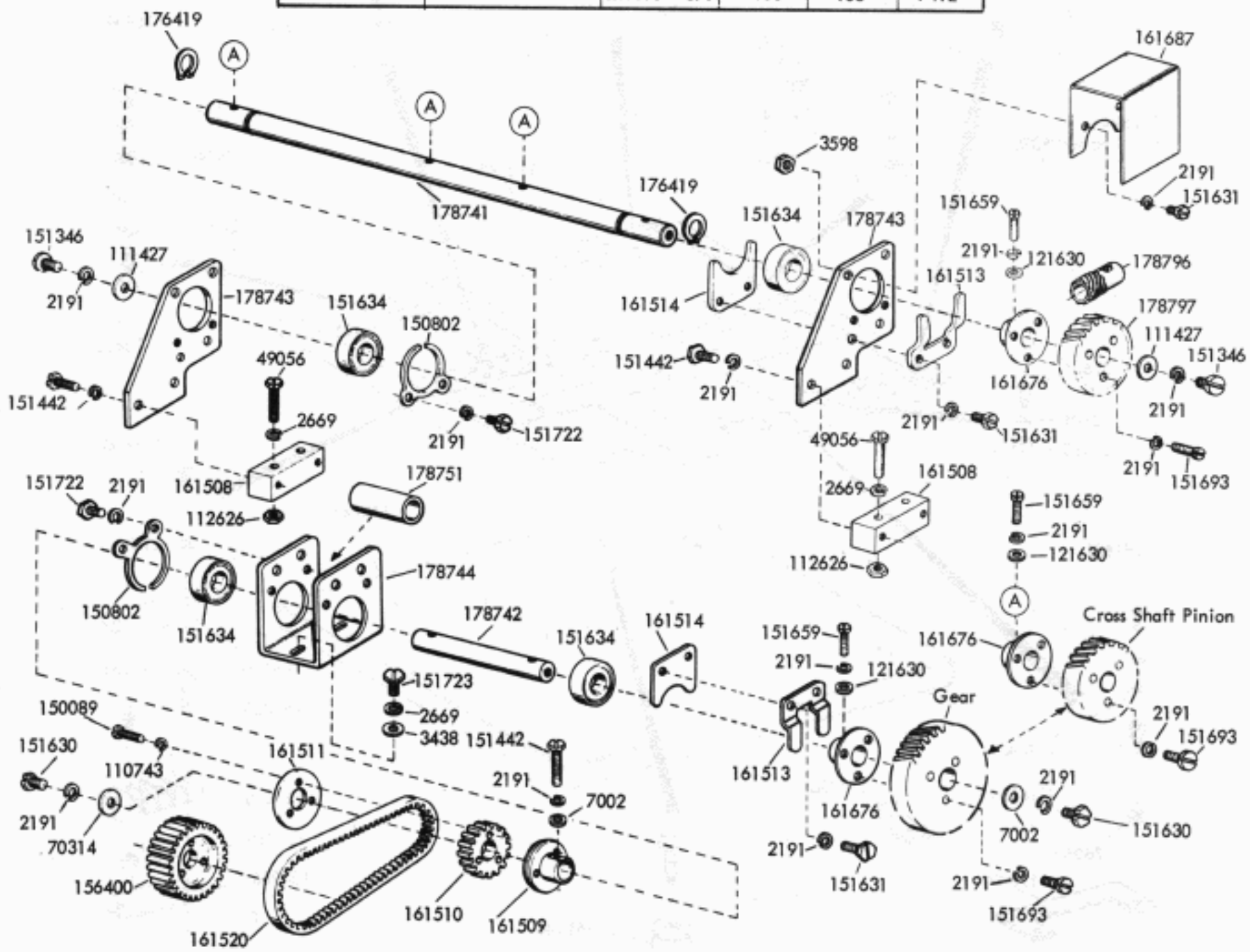


FIGURE 12. CROSS-SHAFT AND INTERMEDIATE SHAFT MECHANISM FOR MULTIPLE REPERFORATOR BASE

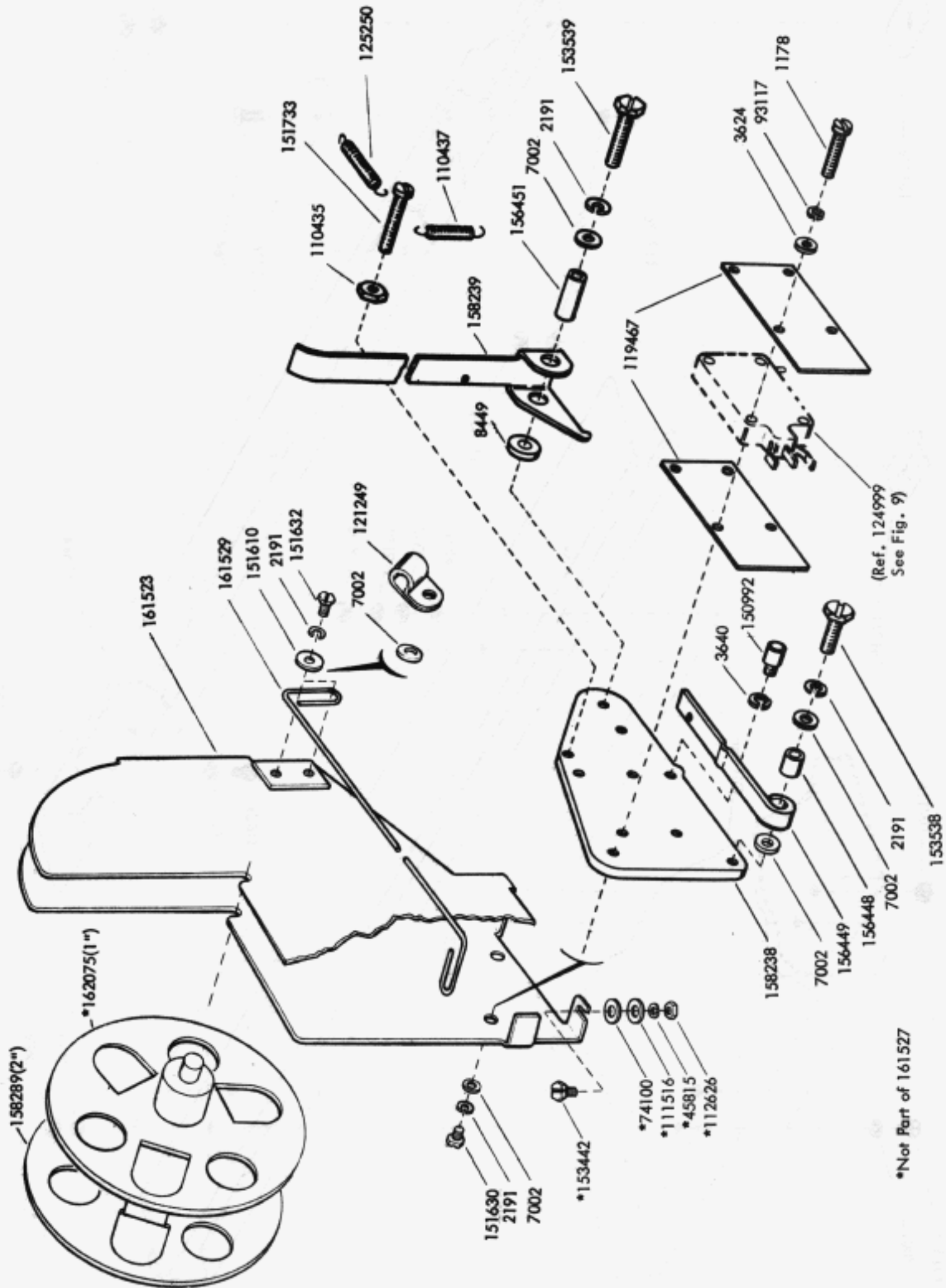


FIGURE 13. 161527 TAPE CONTAINER ASSEMBLY

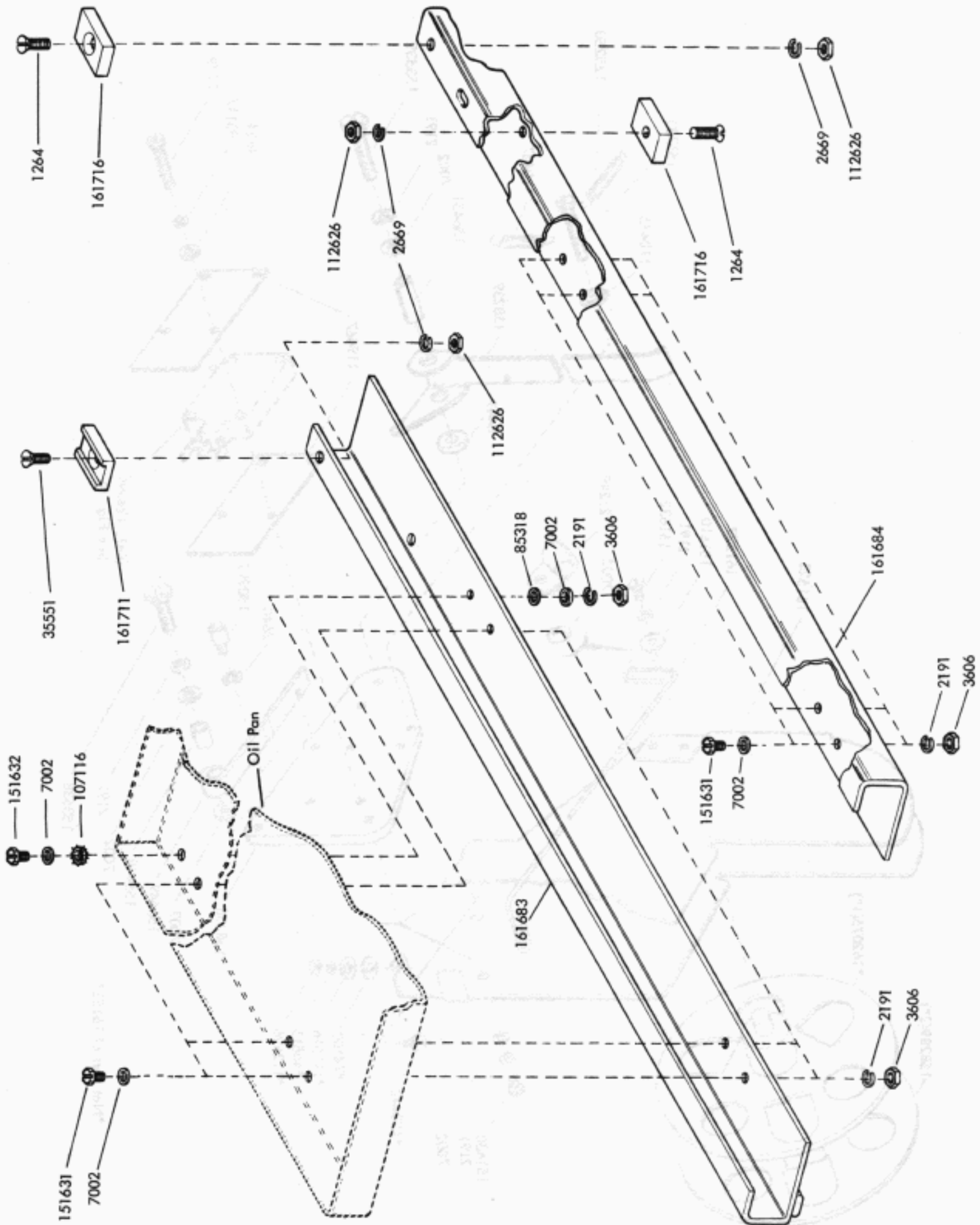


FIGURE 14. 161678 MODIFICATION KIT TO INSTALL A MULTIPLE REPERFORATOR BASE (LMRB) IN A MODEL 28 CABINET (LBAC)

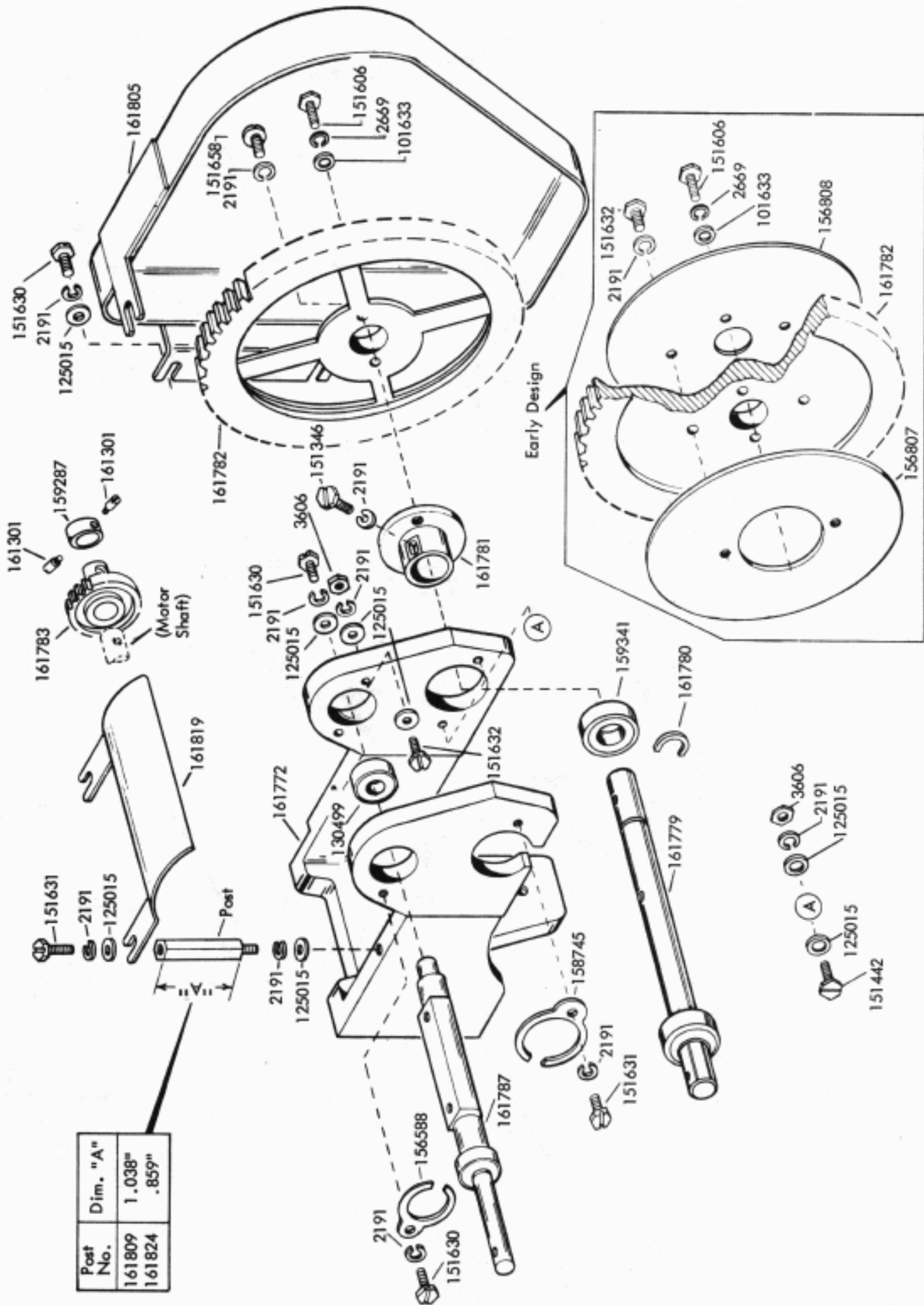


FIGURE 16. GEAR BRACKET ASSEMBLY

SINGLE SPEED DRIVE

| GEAR SETS FOR AUXILIARY MOUNTED LPR SETS | | | | | |
|--|-------------|------------|-----------|------------------|-------|
| Gear Set No. | Driven Gear | Pinion | Unit Code | W.P.M. (Nominal) | Baud |
| 161811 | 161790-44T | 161784-18T | 7.42 | 60 | 45.45 |
| 161812 | 161791-47T | 161785-24T | 7.42 | 75 | 56.88 |
| 161813 | 161792-39T | 161786-26T | 7.42 | 100 | 74.2 |
| 173820 | 173822-49T | 173821-20T | 7.00 | 65 | 45.45 |
| 163448 | 163447-49T | 163446-22T | 7.00 | 71 | 50 |
| 163451 | 163450-40T | 163449-27T | 7.00 | 107 | 75 |

VARIABLE SPEED DRIVE

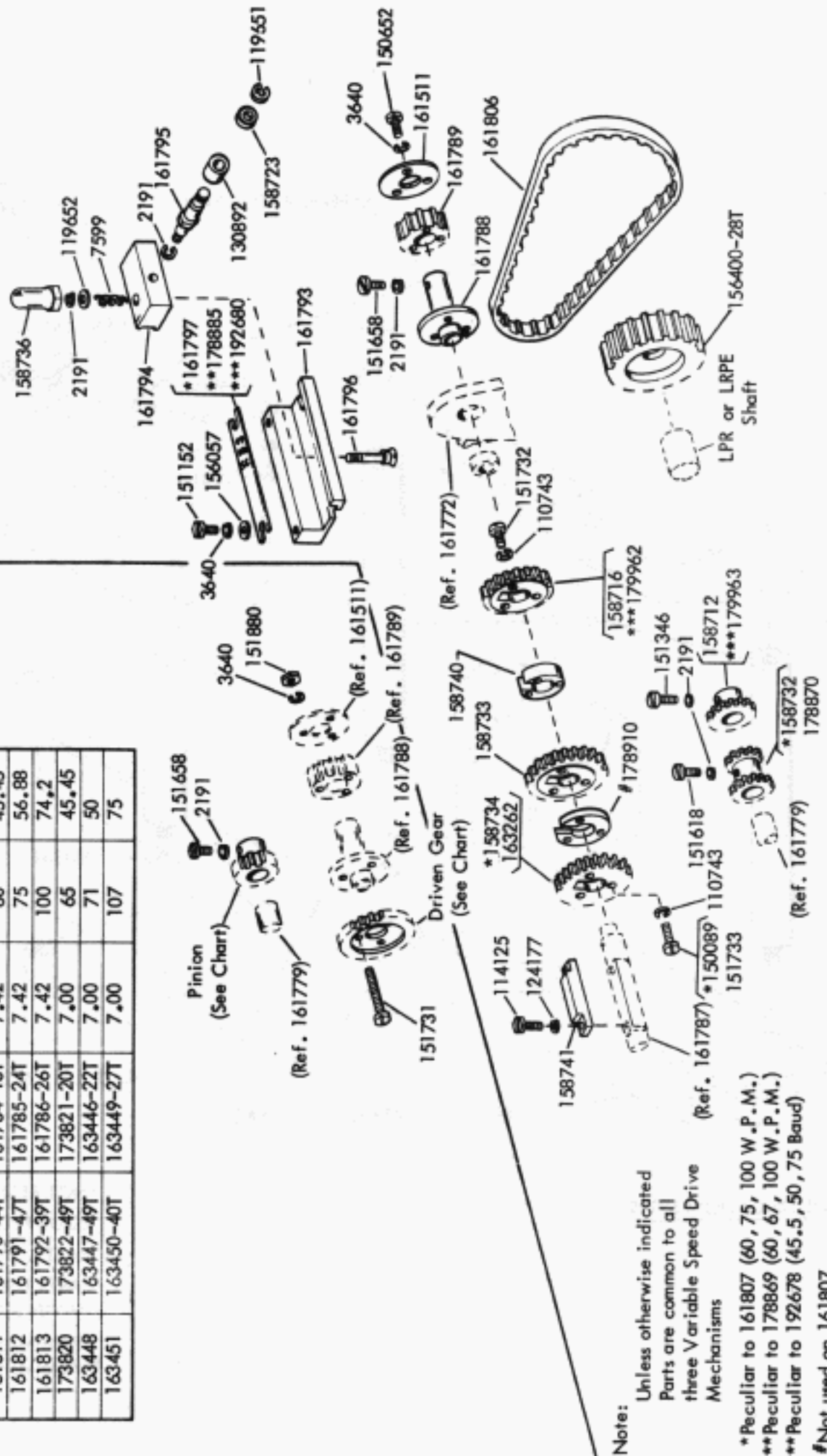
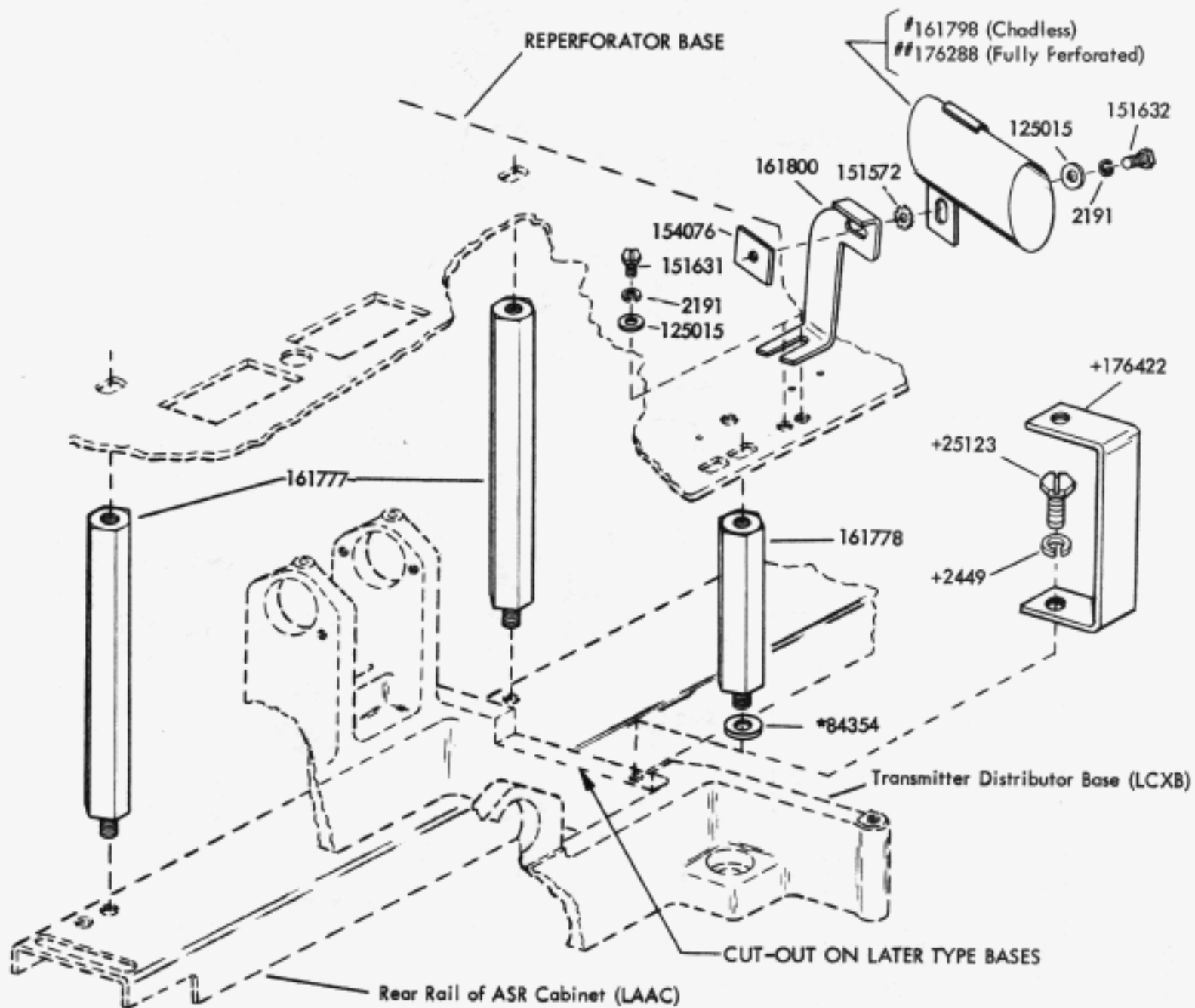


FIGURE 17. AUXILIARY REPERFORATOR BASE GEARING MECHANISM



SPECIFICATION 5929S

*NOT REQUIRED WHEN UNIT IS
EQUIPPED WITH BASE ISOLATION
PARTS.

+PARTS USED ON BASES
HAVING CUT-OUT

#Peculiar to 161815

##Peculiar to 176287

FIGURE 18. 161815 AND 176287 MODIFICATION KITS TO MOUNT AN
AUXILIARY TYPING REPERFORATOR BASE

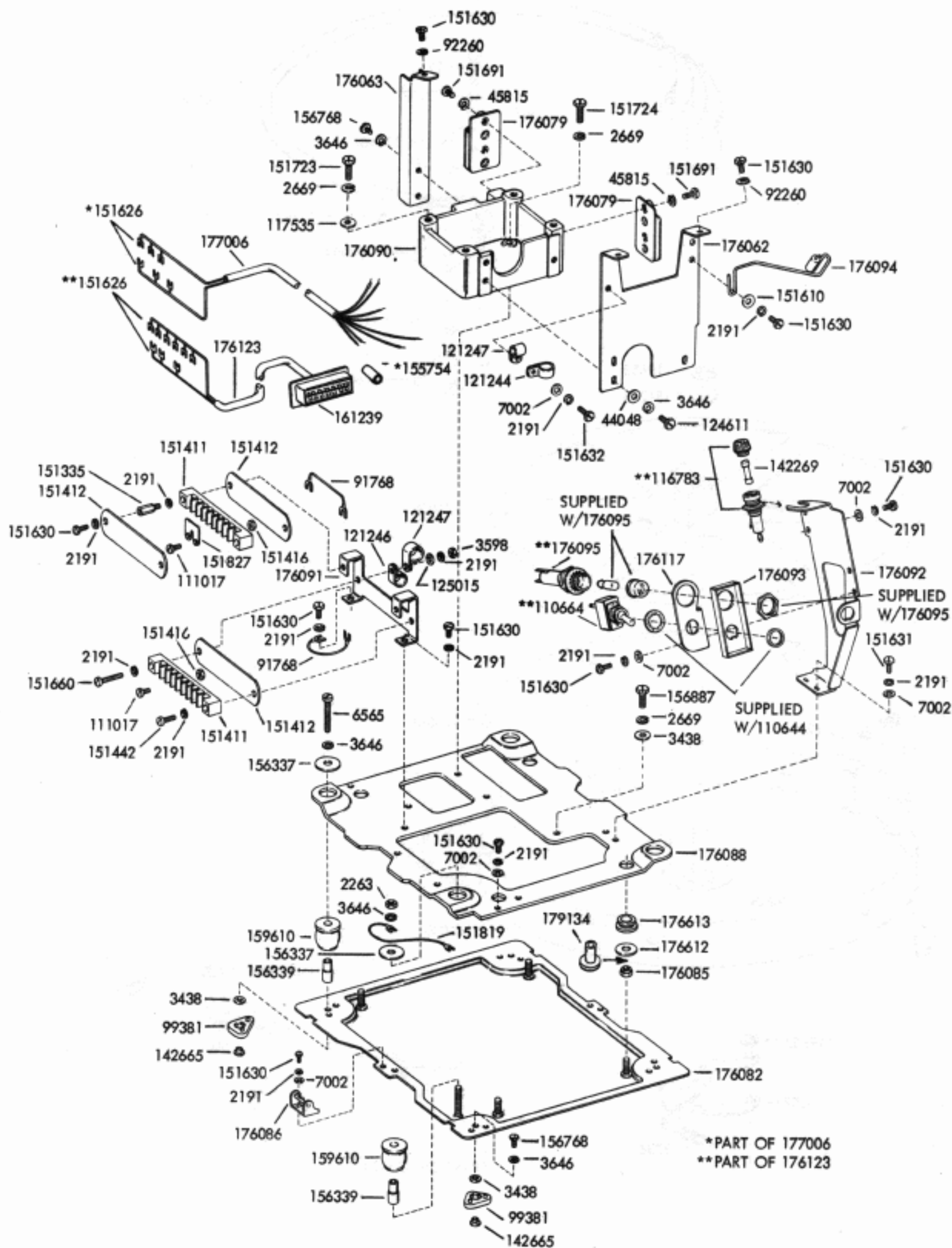


FIGURE 19. MINIATURIZED RECEIVING ONLY REPERFORATOR BASE

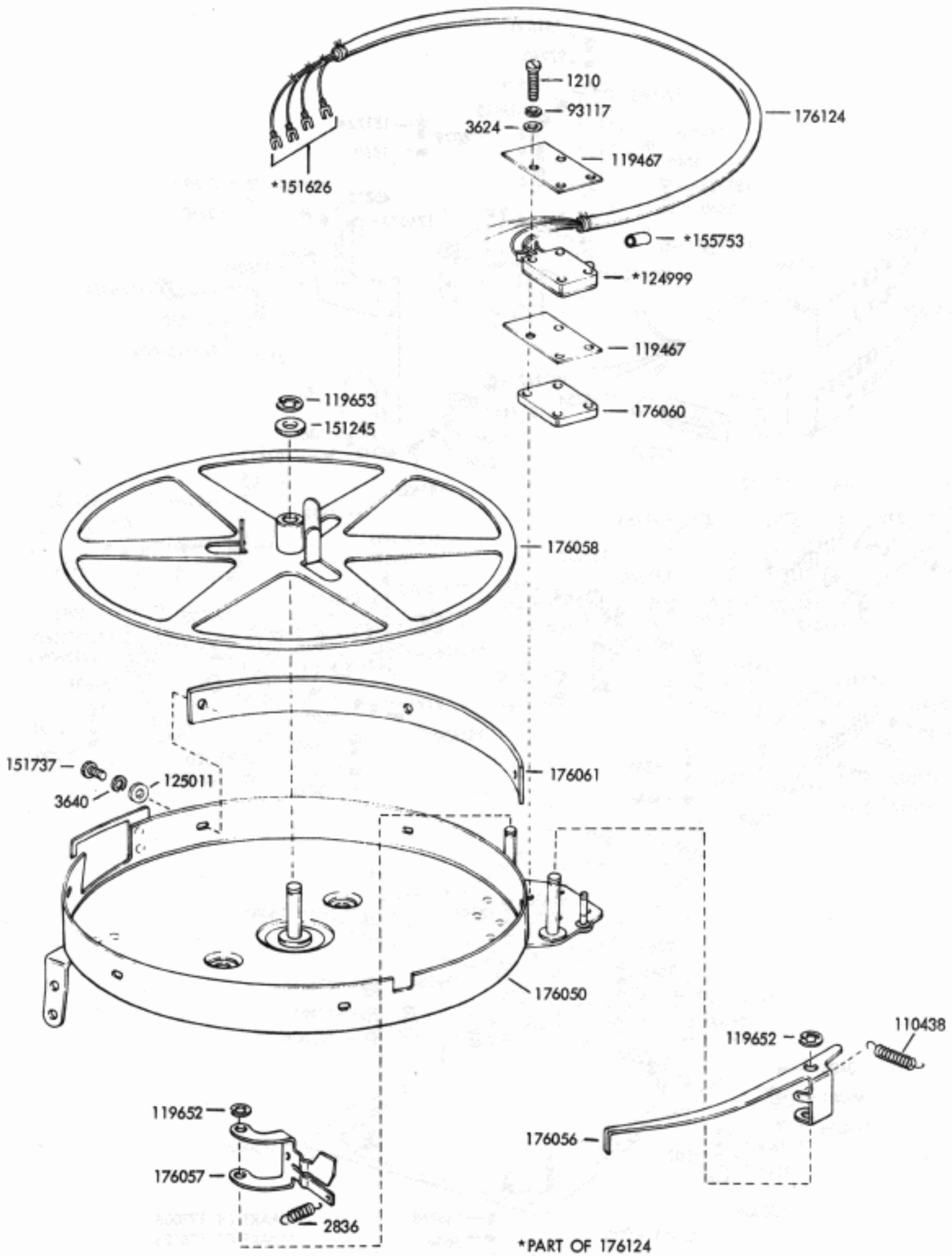


FIGURE 20. 174492 TAPE CONTAINER ASSEMBLY

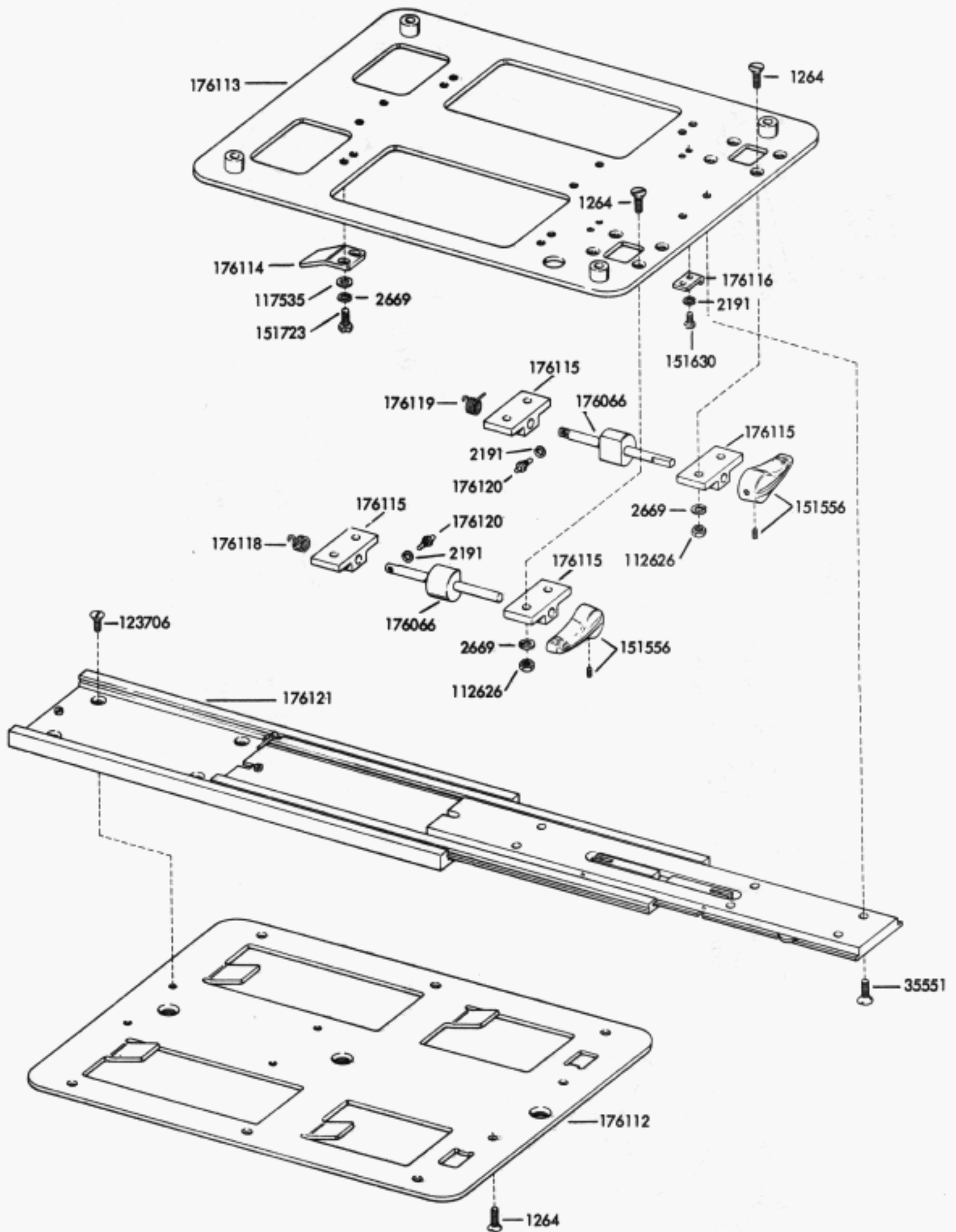


FIGURE 21. 174459 MODIFICATION KIT TO PROVIDE A SLIDING BASE

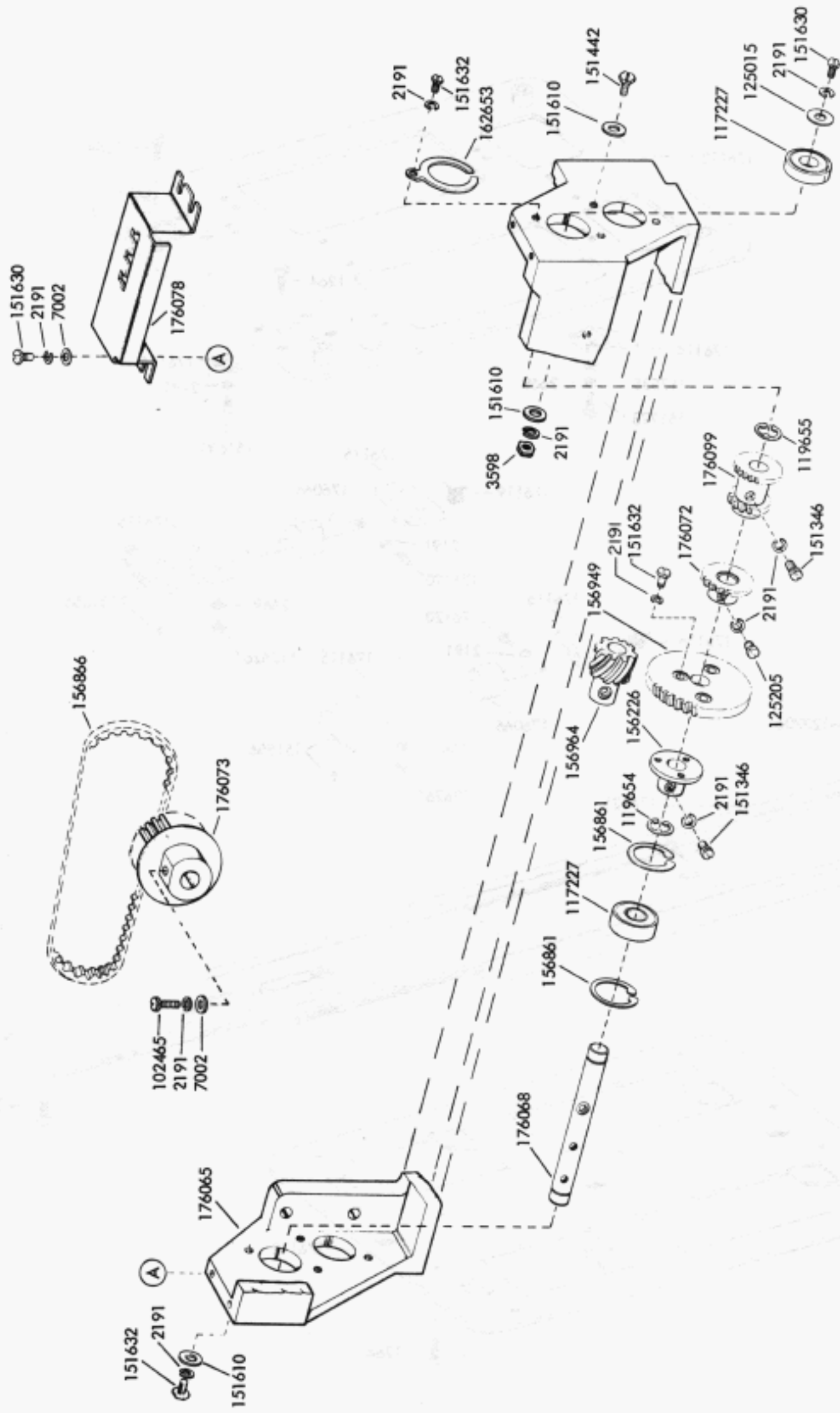


FIGURE 22. 176100 VARIABLE SPEED MECHANISM ASSEMBLY

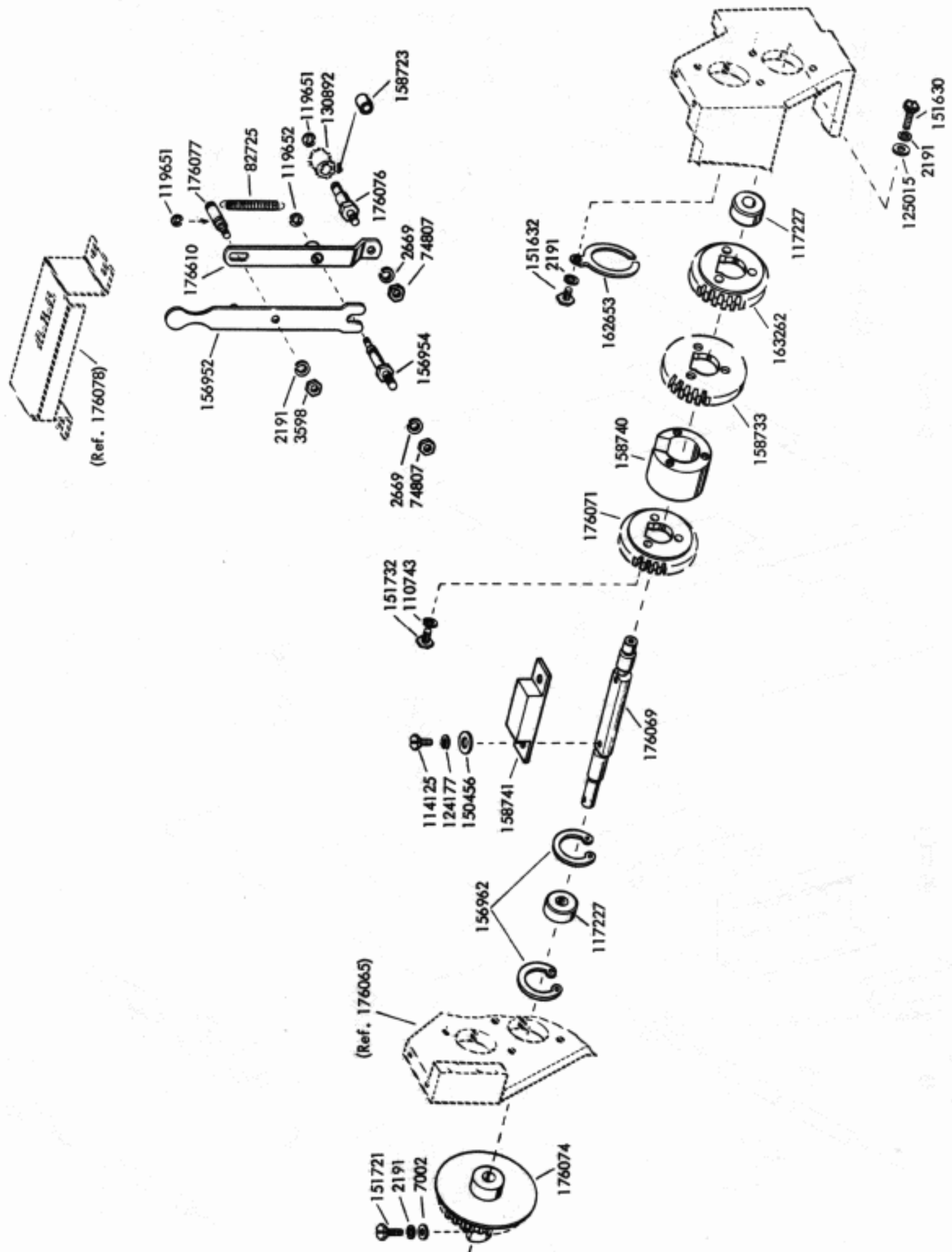


FIGURE 23. 176100 VARIABLE SPEED MECHANISM ASSEMBLY

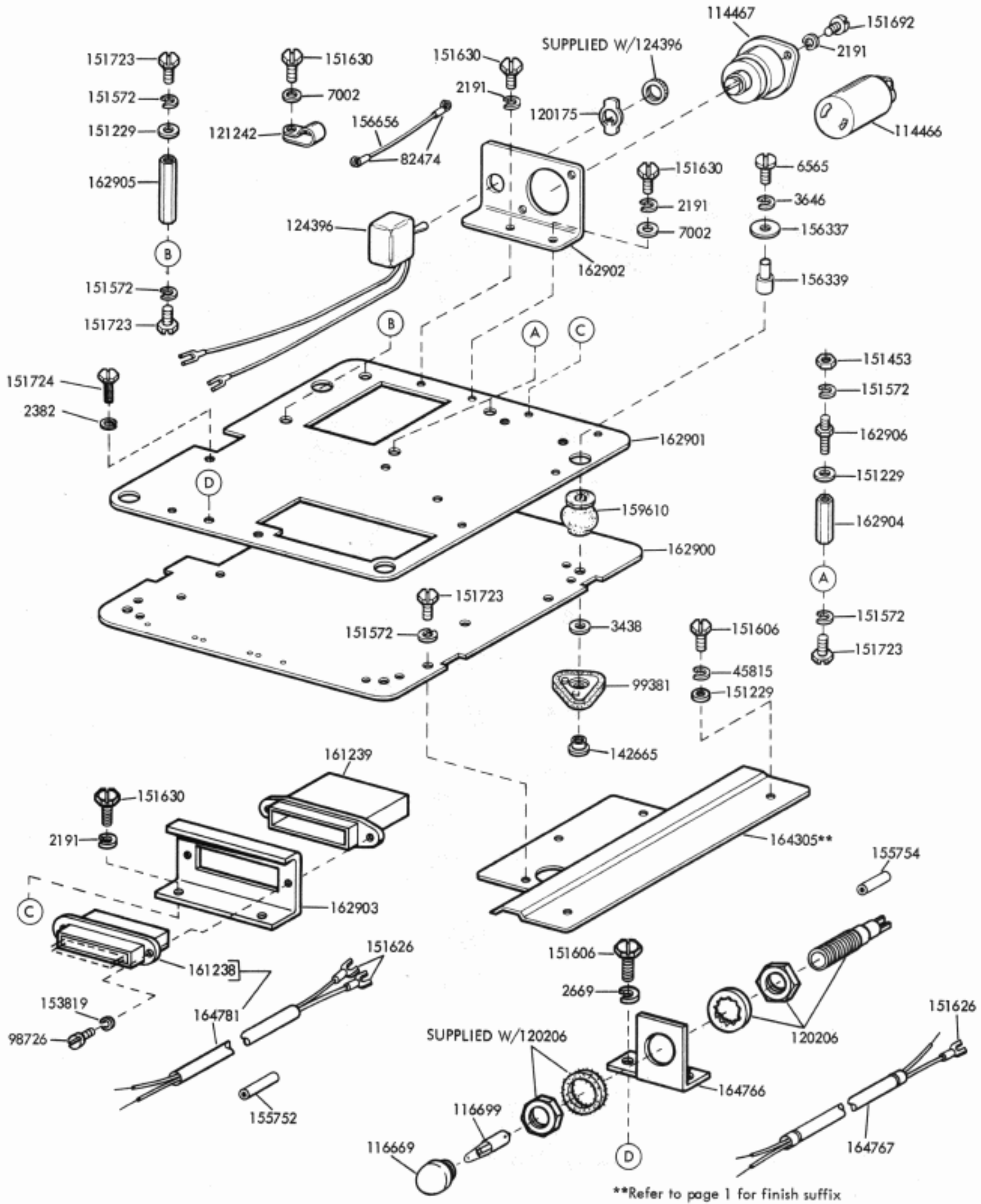
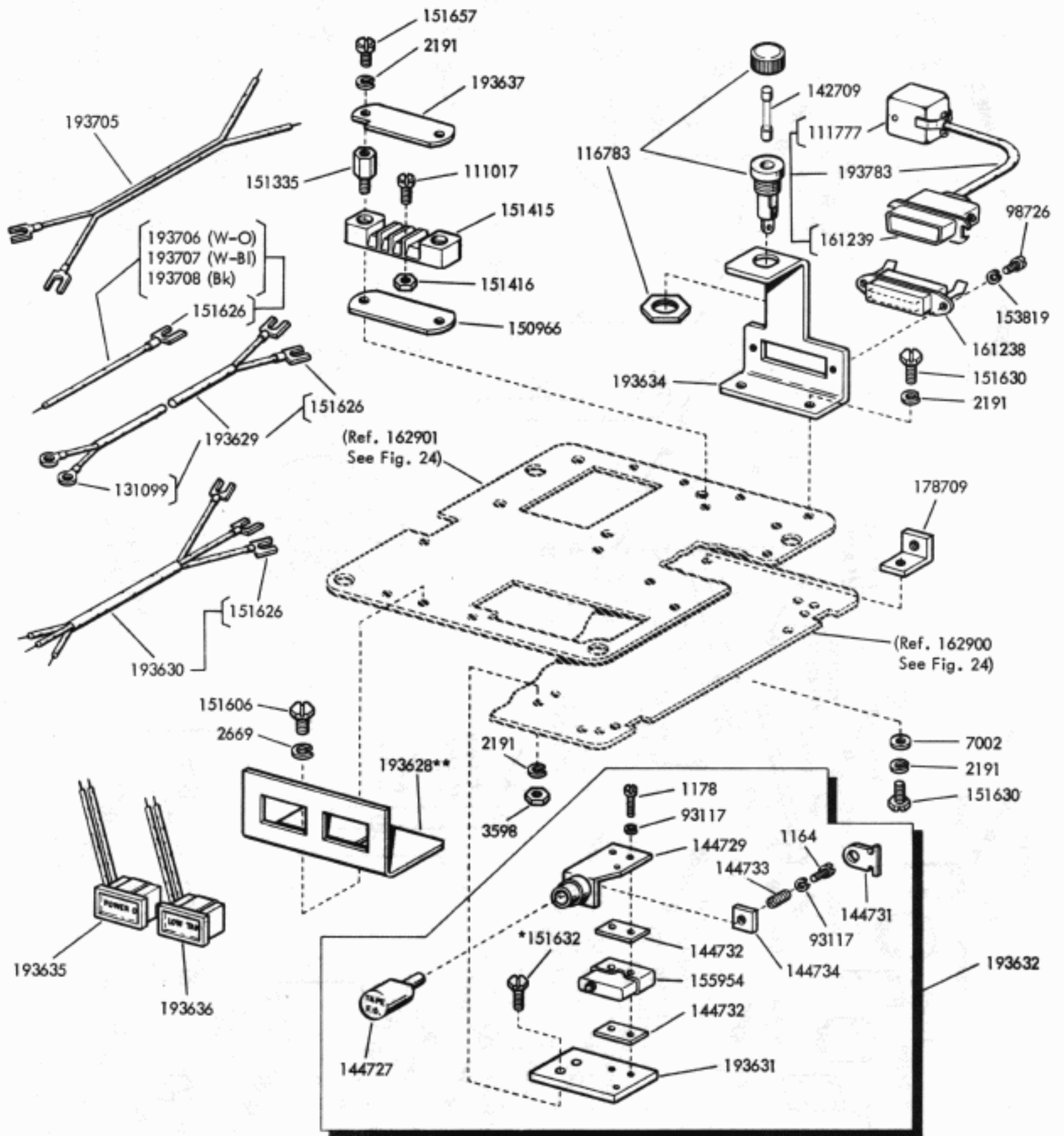


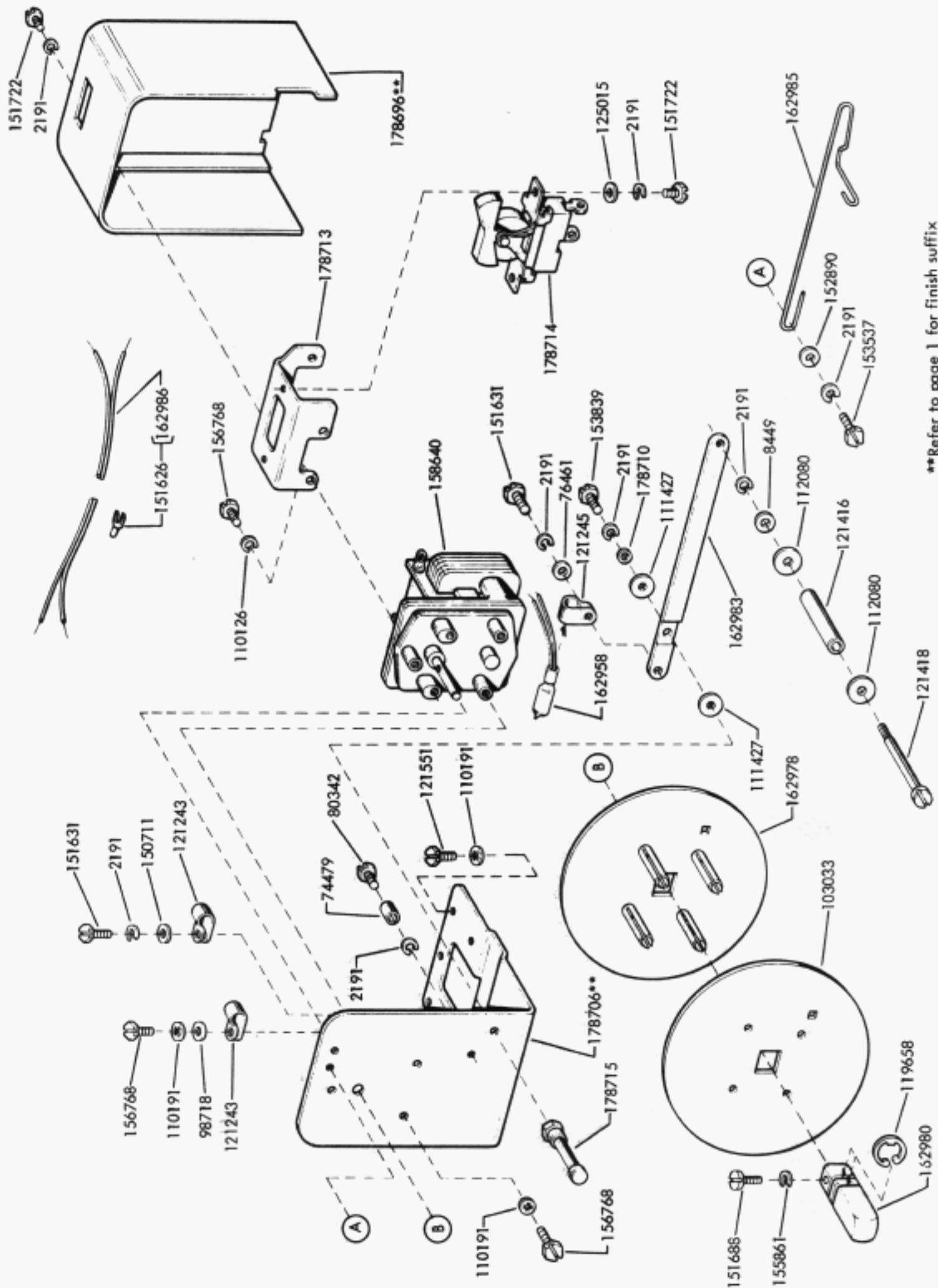
FIGURE 24. MINIATURIZED BASE



*Not Part of 193632

**Refer to page 1 for finish suffix

FIGURE 25. MINIATURIZED BASE



**Refer to page 1 for finish suffix

FIGURE 27. 162957** TAPE WINDER ASSEMBLY

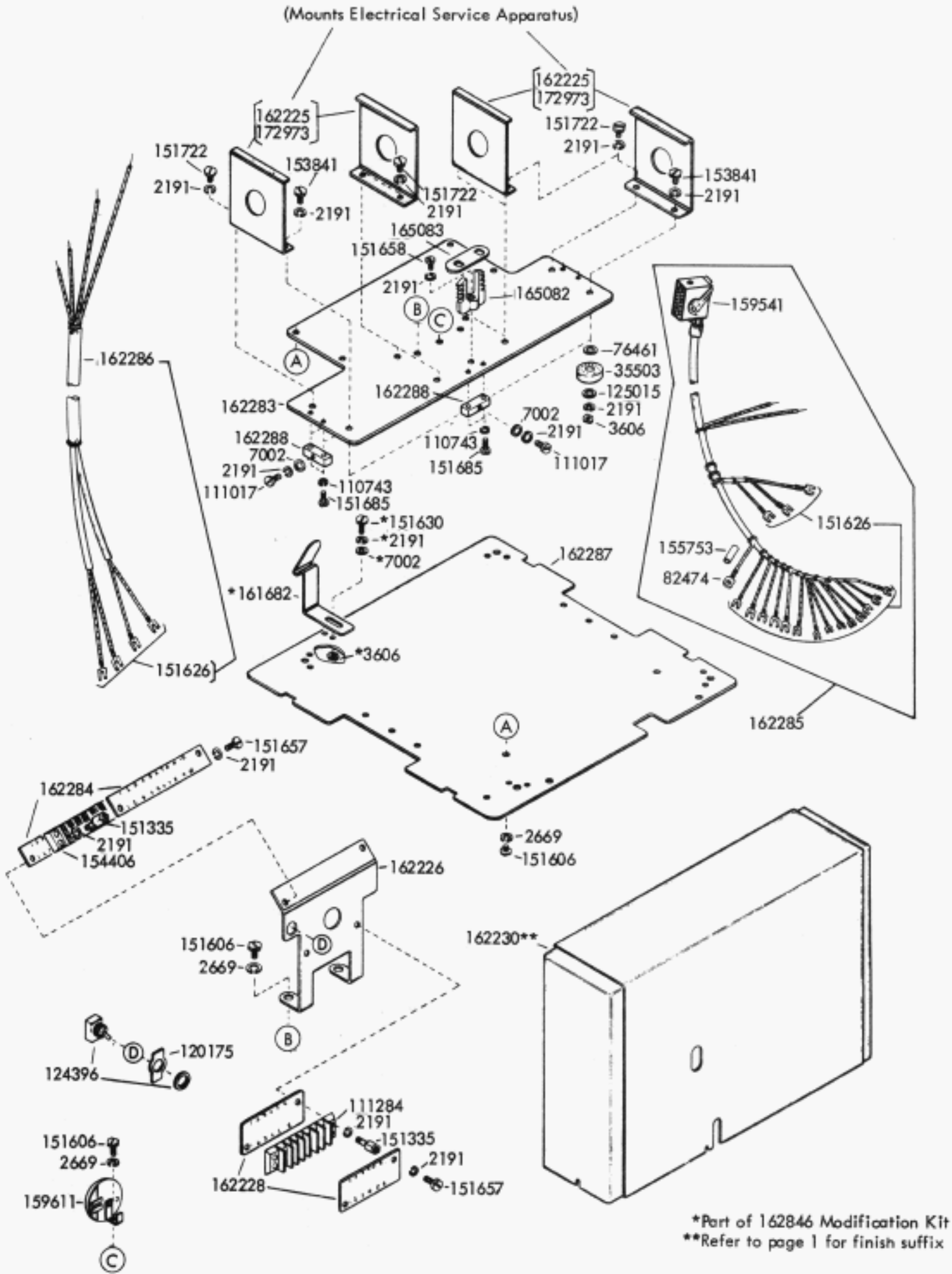
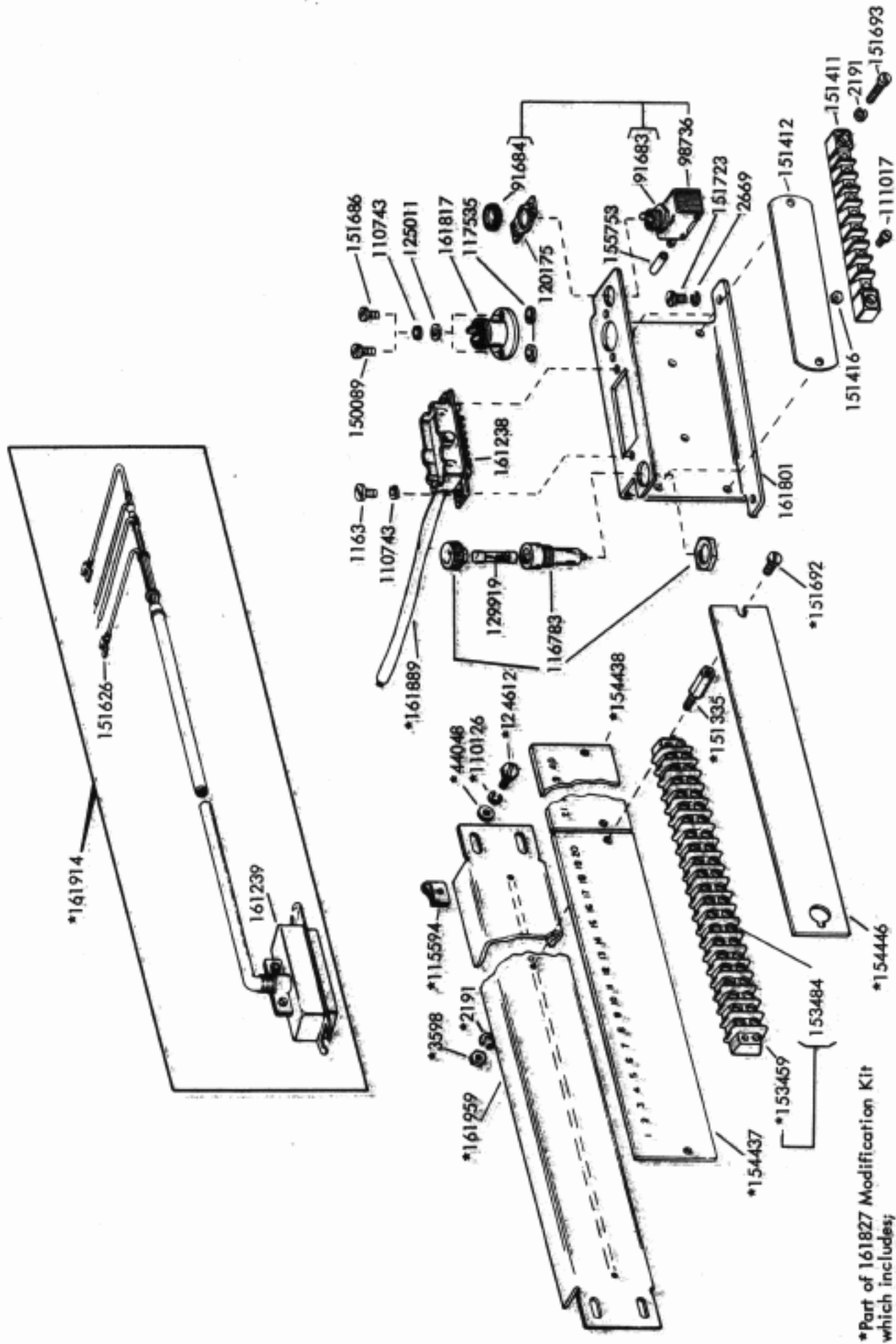


FIGURE 28. TYPING REPERFORATOR BASE WITH EXTENSION



*Part of 161827 Modification Kit which includes;
 163587 Bracket
 151632 Screws
 2191 Lockwashers
 158807 Screws
 153819 Lockwashers, these parts are shown on Figure 15

FIGURE 29. ELECTRICAL COMPONENTS

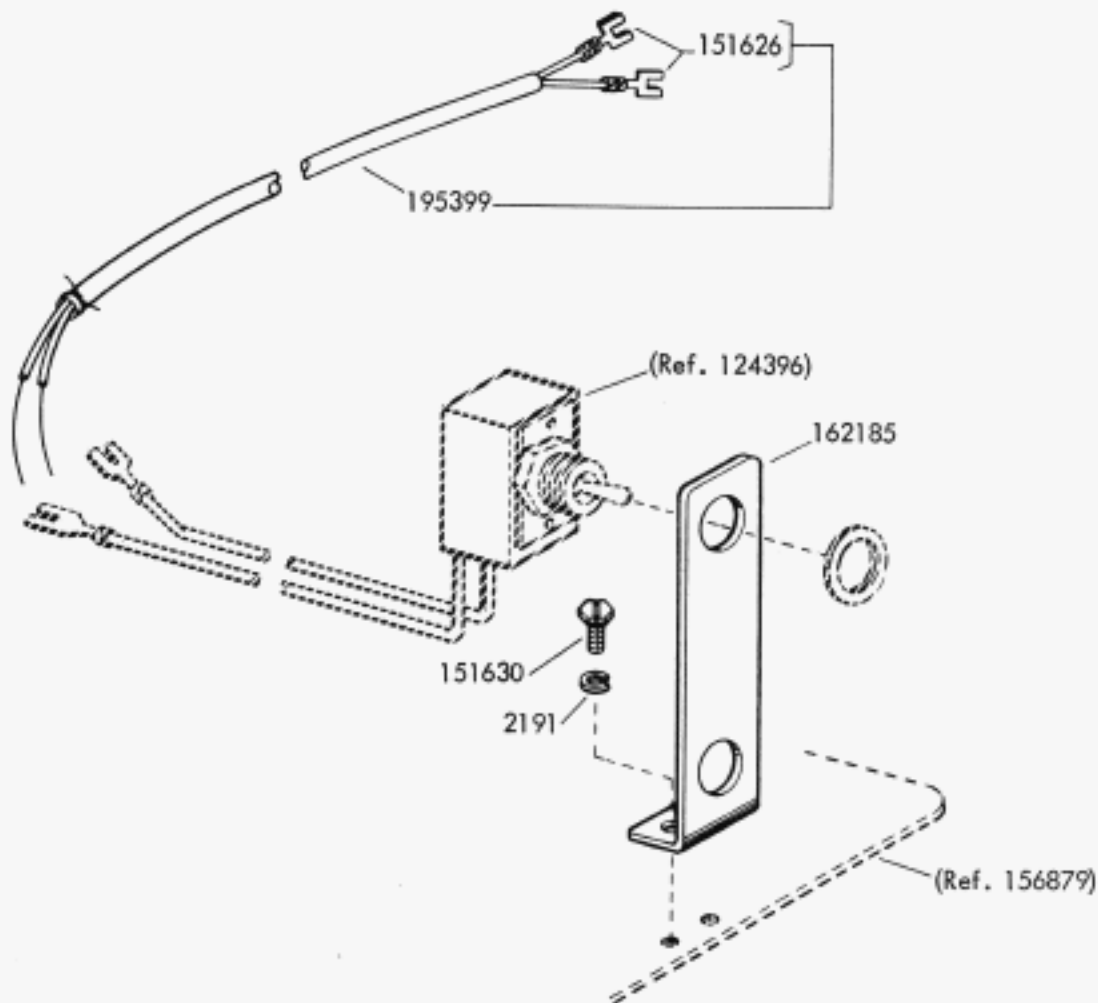


FIGURE 30. 195388 MODIFICATION KIT TO RELOCATE POWER SWITCH FROM THE REAR TO THE FRONT

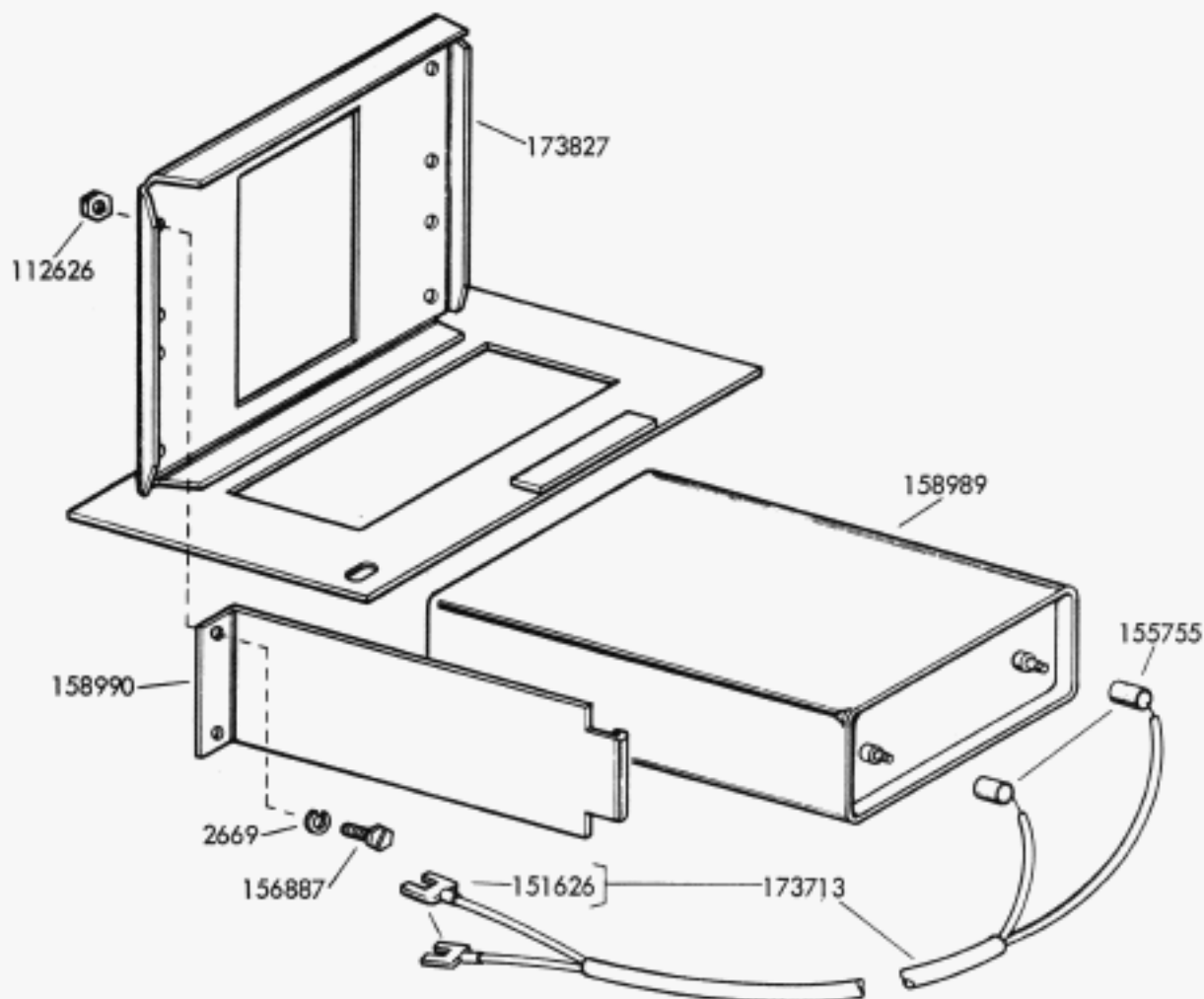
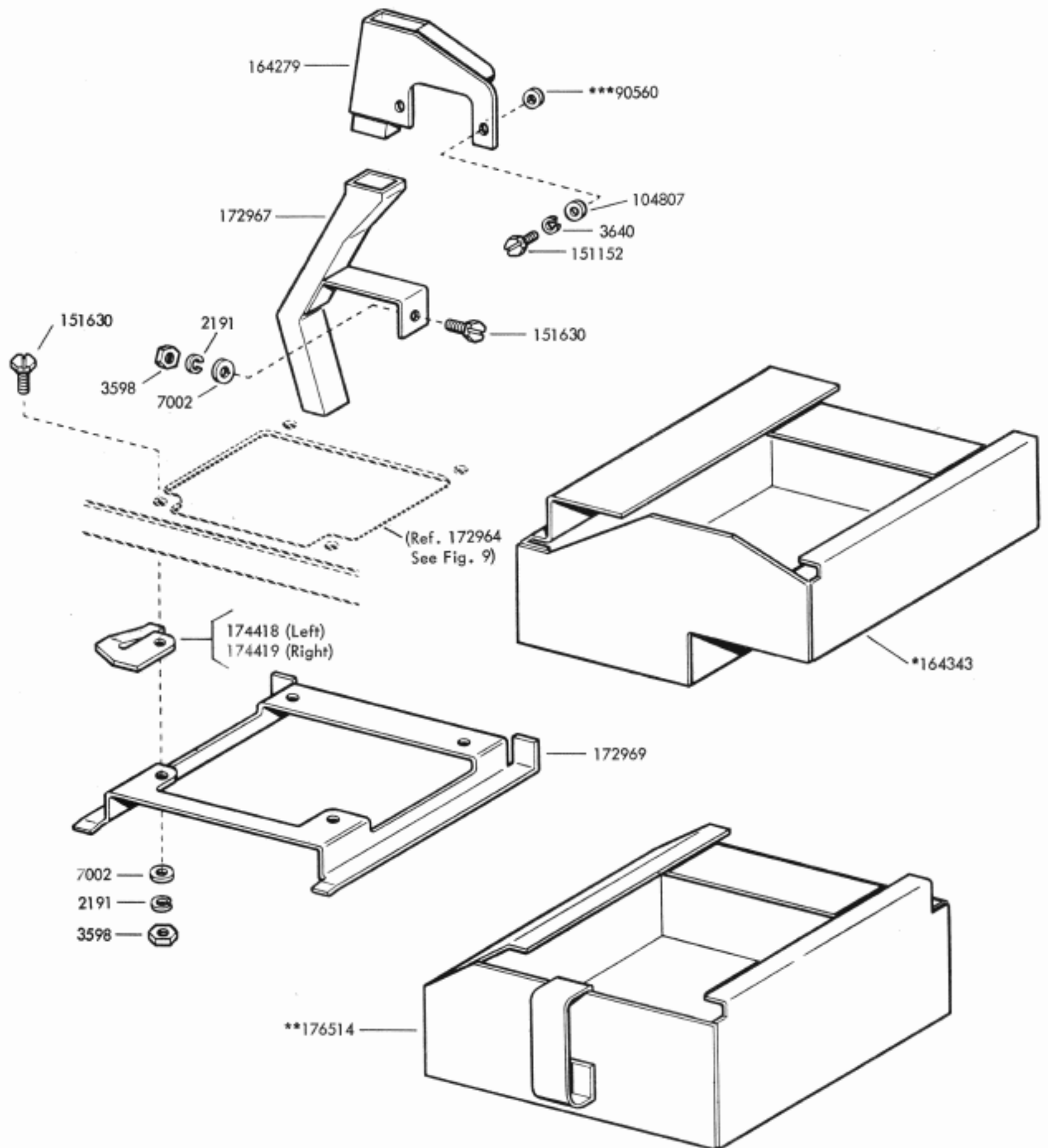


FIGURE 31. 173484 MODIFICATION KIT TO PROVIDE POWER FACTOR CORRECTION FOR (LMRB) BASE



*Peculiar to 164341
 **Peculiar to 176542
 ***Discard if Punch Block face is flat.

FIGURE 32. 164341 AND 176542 MODIFICATION KITS TO PROVIDE CHAD DISPOSAL ON MULTIPLE REPERFORATOR BASES

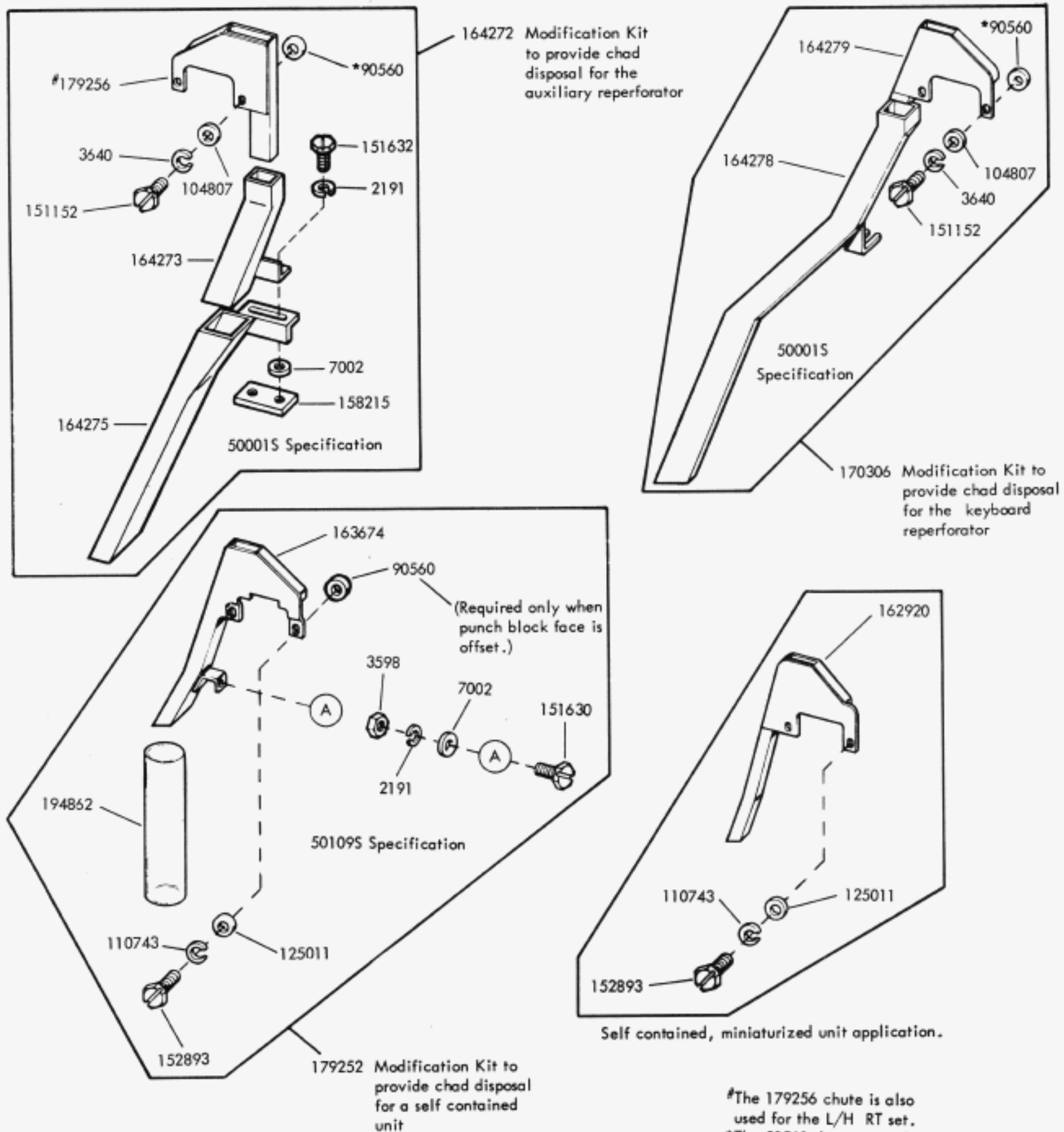
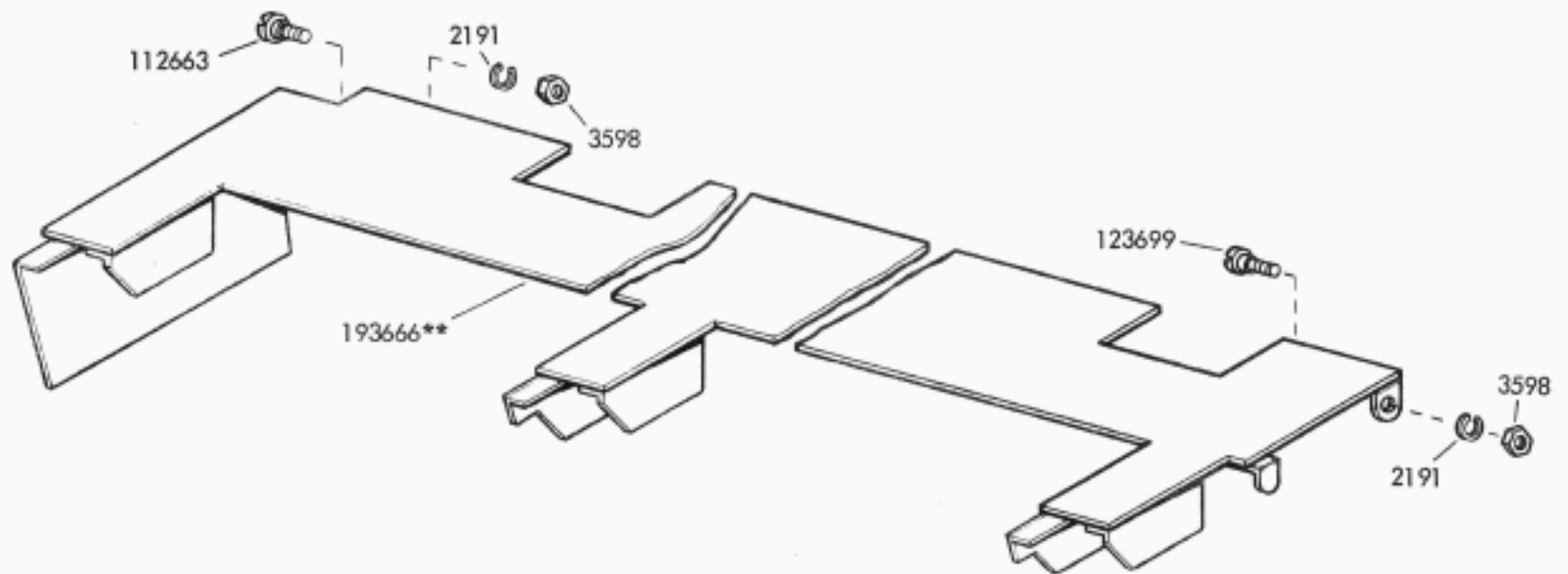
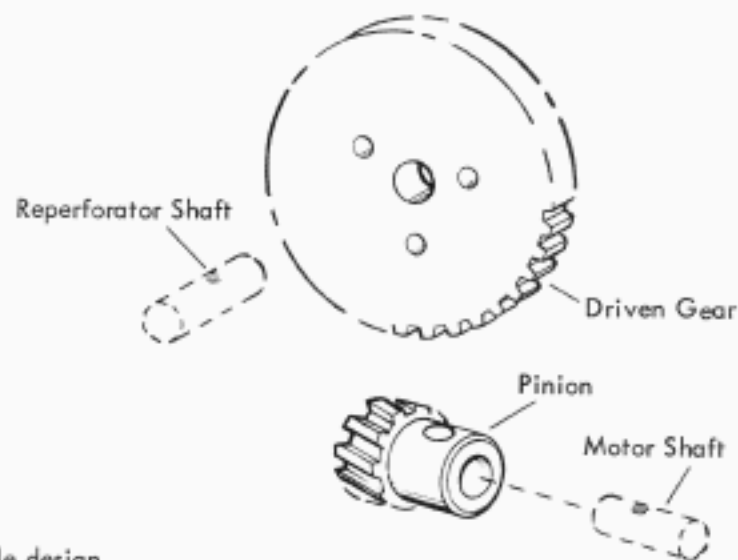


FIGURE 33. MODIFICATION KITS TO PROVIDE CHAD DISPOSAL



**Refer to page 1 for finish suffix

FIGURE 34. 193667** MODIFICATION KIT TO PROVIDE A SPROCKET GUARD FOR MULTIPLE REPERFORATOR BASES



*Reperforator clutch must be 2 cycle design.
 #Reperforator clutch must be 1 cycle design.

| Speed Change Gear Sets for Non-typing Reperforator | | | | | |
|--|-------------|--------------|---------------|-----------|-------|
| Set Number | Pinion | Driven Gear | (Nominal) WPM | Unit Code | Baud |
| *164784 | 164782 (6T) | 164783 (52T) | 120 | 8.5 | 102.9 |
| #193620 | 192791 (5T) | 192790 (49T) | 53 | 8.61 | 46.15 |
| #193621 | 192789 (6T) | 192788 (47T) | 66 | 8.61 | 57.69 |
| #193643 | 193641 (6T) | 193642 (40T) | 78.7 | 8.00 | 67.8 |
| #193678 | 193677 (8T) | 193676 (42T) | 100 | 11.0 | 110 |
| #193681 | 193680 (5T) | 193679 (39T) | 67 | 11.0 | 73.7 |

FIGURE 35. GEAR CHART FOR SELF-CONTAINED NON-TYPING REPERFORATOR

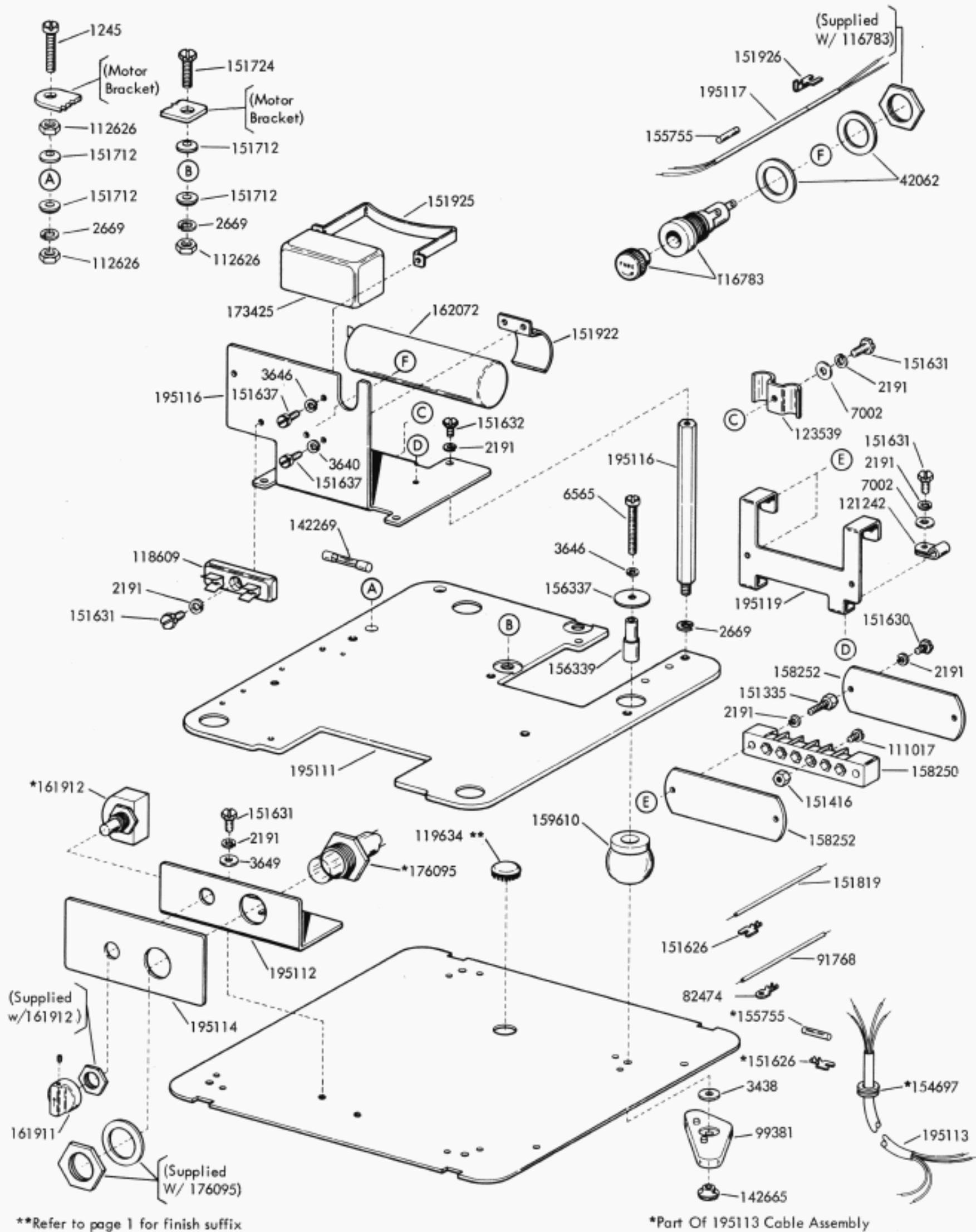
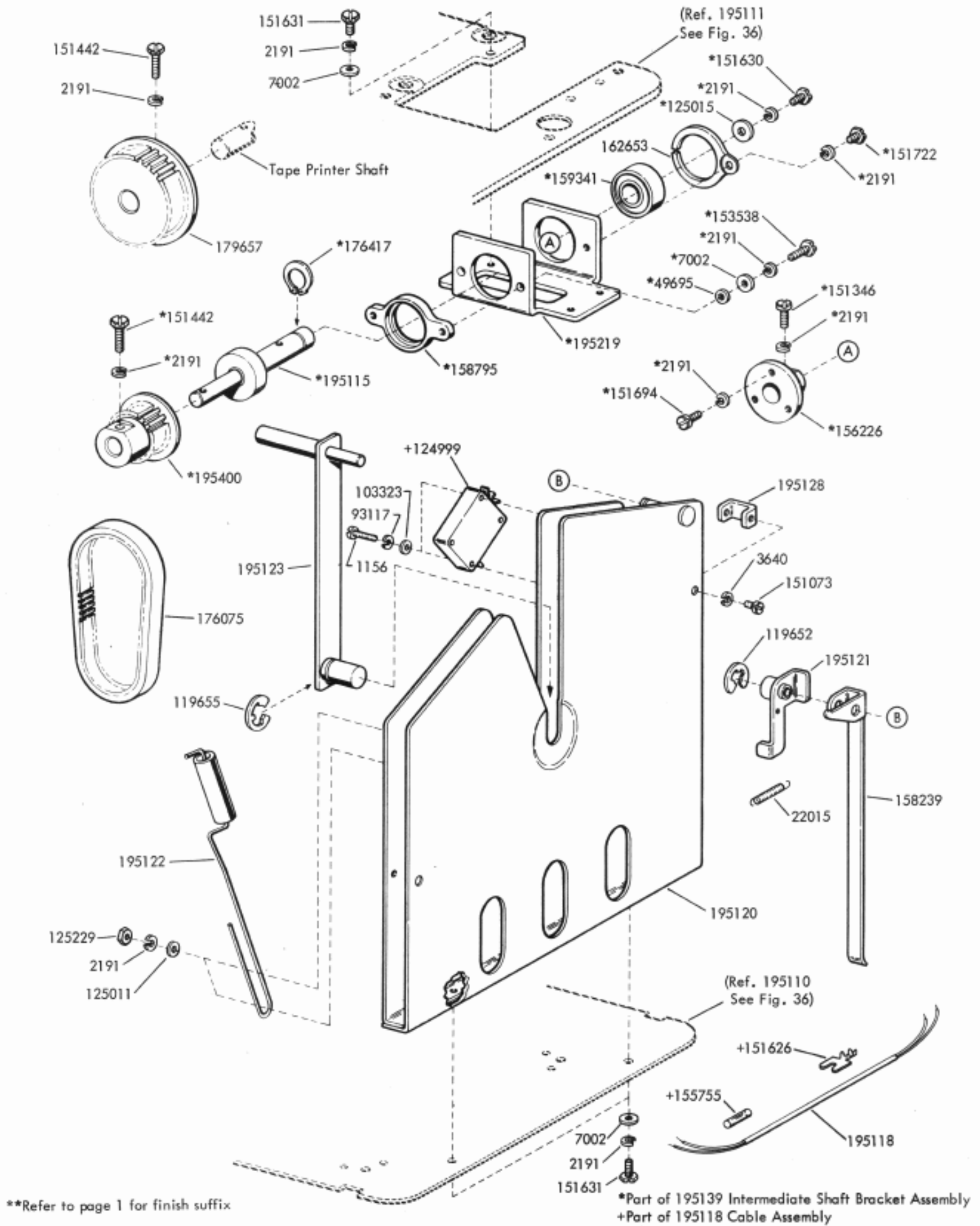


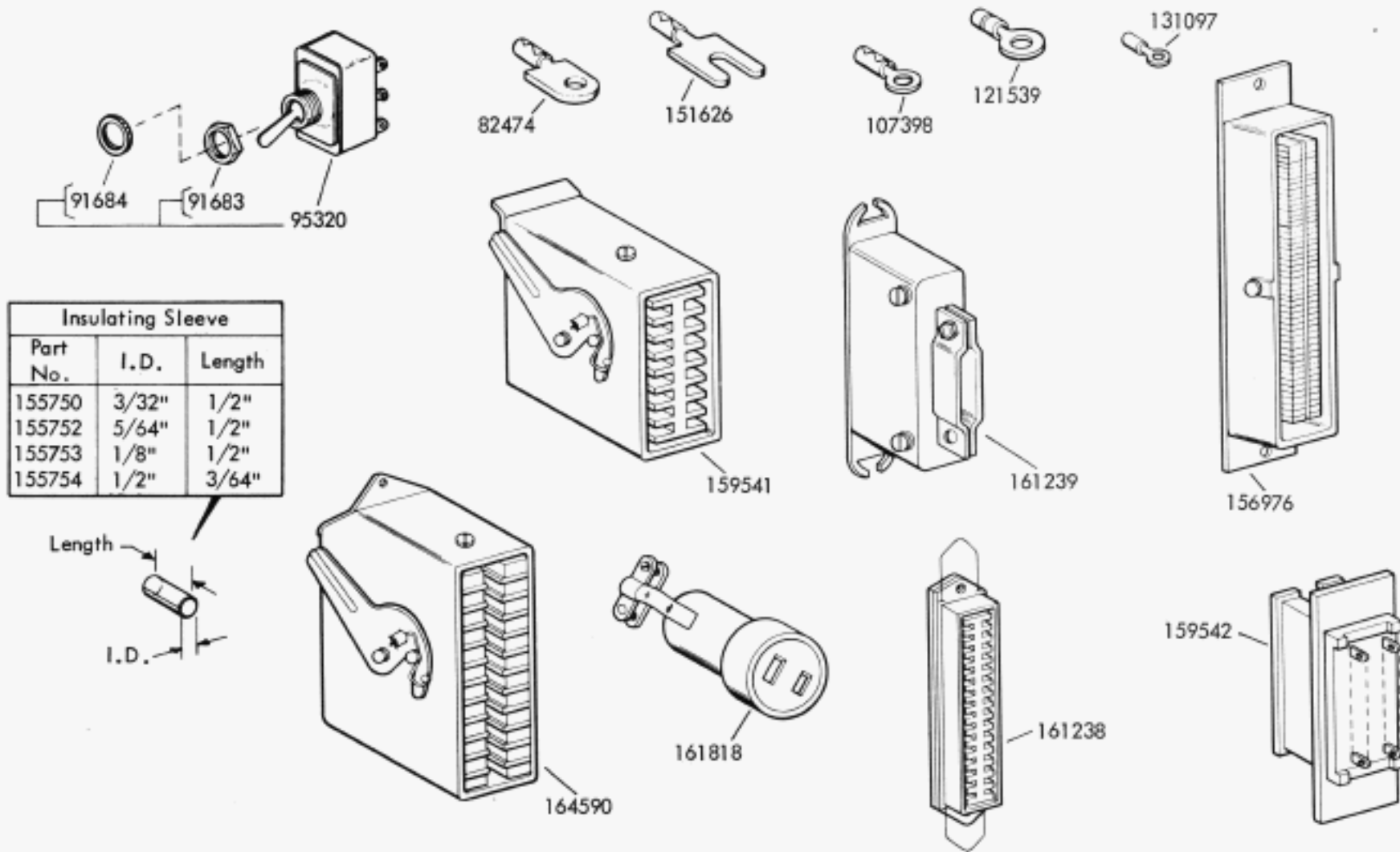
FIGURE 36. TAPE PRINTER BASE (MINIATURIZED)



**Refer to page 1 for finish suffix

*Part of 195139 Intermediate Shaft Bracket Assembly
 +Part of 195118 Cable Assembly

FIGURE 37. TAPE PRINTER BASE - CONTINUED (MINIATURIZED)



| Unit No. | Cable Assembly | Component No. | | | | | | | | | | | | | | | | |
|--------------|----------------|---------------|-------|--------|--------|--------|--------|--------|--------|--------|--------|--------|--------|--------|--------|--------|--------|--------|
| | | 95320 | 82474 | 151626 | 107398 | 121539 | 131097 | 155750 | 155752 | 155753 | 155754 | 159541 | 161239 | 156976 | 164590 | 161818 | 161238 | 159542 |
| LRB2 | 156898 | | | X | | | | X | | | | | | | | | X | |
| | 156978 | | X | | | | | | | | | | | | | | | |
| | 159551 | | X | X | | | | | | | | | | | | | | |
| LRB3,11 | 159928 | | X | X | | | | | | | | | | | | | | X |
| LRB5,6,36,42 | 161886 | | | X | | | X | X | | | | | | | | | X | |
| | 161887 | | | X | | | | | | | | | | | | | | |
| | 161888 | | | X | | | | | | | | | | | | | | |
| LRB7 | 162061 | | X | | | | | | | | | | | | | | | X |
| LRB8,41 | 162574 | X | X | | | | | X | X | | | X | | | | | | X |
| LRB9 | 161886 | | | X | | | X | X | | | | | | | | | X | |
| | 161887 | | | X | | X | | | | | | | | | | | | X |
| | 161889 | | | X | | | | | X | | | X | | | | | X | |
| | 161914 | SEE FIGURE 29 | | | | | | | | | | | | | | | | |
| LRB10 | 159928 | | X | X | | | | X | | | X | X | | | | | | X |
| | 162285 | | X | X | | | | | | | X | X | | | | | | |
| | 162286 | | | X | | | | | | | | | | | | | | |
| LRB18 | 162285 | | X | X | | | | | | | X | X | | | | | | |
| | 172975 | | X | | | | | X | X | | | | X | | | | | X |
| LRB19,26 | 163282 | | X | | | | | | | | | | | | | | | |
| | 163283 | | | X | | | | X | | | | | | | | | | |
| LRB20 | 161821 | SEE FIGURE 15 | | | | | | | | | | | | | | | | |
| | 161886 | | | X | | | X | X | | | | | | | | | X | |
| | 161887 | | | X | | X | | | | | | | | | | | | X |
| | 161888 | | | X | | | | | X | | | | X | | | | | X |

(Continued on Figure 39)

FIGURE 38. CABLE CHART

| Unit No. | Cable Assembly | Component No. | | | | | | | | | | | | | | | | |
|---------------|--------------------------------------|---------------|-------|--------|--------|--------|--------|--------|--------|--------|--------|--------|--------|--------|--------|--------|--------|--------|
| | | 95320 | 82474 | 151626 | 107398 | 121539 | 131097 | 155750 | 155752 | 155753 | 155754 | 159541 | 161239 | 156979 | 164590 | 161818 | 161238 | 159542 |
| LRB21, 30, 46 | 163333 | | X | | | | | X | X | | | | X | | | | | X |
| LRB22 | 163296 | | | X | | | | | | | | | X | | | | | X |
| LRB23 | 162574 | X | X | | | | | X | X | | | | X | | | | | X |
| | 164589 | | | | | | | X | | | | | | | X | | | |
| | 164588 | | | | | | | | | | | | | | | | | |
| LRB24, 33 | 162061 | | X | | | | | | | | | | | | | | | X |
| LRB27 | 164099 | | X | | | X | | X | | | | | | | | | | X |
| LRB28 | 161886 | | | X | | X | | X | | | | | | | | | | X |
| | 161887 | | | X | | X | | | | | | | | | | | | X |
| | 161889 | | | X | | | | | X | | | | X | | | | | X |
| LRB31 | 176123 177006 | SEE FIGURE 19 | | | | | | | | | | | | | | | | |
| LRB32 | 161886 | | | X | | | X | X | | | | | | | | | | X |
| | 173441 | | | X | | X | | | | | | | | | | | | |
| | 173442 | | | X | | | | X | | | | | | | | | | X |
| | 173849 | | | X | | | | | X | | | | X | | | | | |
| LRB34 | 161886 | | | X | | | X | X | | | | | | | | | | X |
| | 178791 | | | X | | | X | | | | | X | | | | | | |
| | 179344 | | | X | | | | | X | | | | | | | | | X |
| | 179345 | | | X | | | | | | | | X | X | | | | | X |
| LRB43 | 193778 | X | X | | | | | | | | | X | X | | | | | X |
| LRB200** | 164767 164781 | SEE FIGURE 24 | | | | | | | | | | | | | | | | |
| LRB201** | 193629 193630 193633 193783 | SEE FIGURE 25 | | | | | | | | | | | | | | | | |

FIGURE 39. CABLE CHART

NUMERICAL INDEX

| Part Number | Description and Page Number | Part Number | Description and Page Number | Part Number | Description and Page Number |
|-------------|--|-------------|--|-------------|--|
| 1156 | Screw (2-56 x 9/16 Fil) 37 | 85318 | Washer, Leather 16 | 118589 | Switch, Push (Black) 7 |
| 1163 | Screw (4-40 x 3/16 Fil) 31 | 90560 | Washer, Flat 33, 34 | 118609 | Holder, Fuse 36 |
| 1164 | Screw (2-56 x 3/16 Fil) 27 | 90606 | Spring 8, 17, 28 | 119467 | Insulator (.032") 8, 15, 22, 28 |
| 1178 | Screw (2-56 x 7/16 Fil) 15, 27 | 91683 | Nut (15/32-32 Hex) 7, 11, 13, 31, 38 | 119634** | Button, Plug 36 |
| 1210 | Screw (2-56 x 5/8 Fil) 17, 22 | 91684 | Nut (15/32-32 Ring) 6, 7, 11, 13, 31, 38 | 119649 | Ring, Retaining 28 |
| 1245 | Screw (10-32 x 1" Fil) 36 | 91768 | Jumper (3-1/2" Black) 6, 7, 21, 36 | 119651 | Ring, Retaining 10, 19, 25 |
| 1264 | Screw (10-32 x 1/2 Fil) 16, 23 | 92146 | Nut (1/4-20 Hex) 17 | 119652 | Ring, Retaining 19, 22, 25, 37 |
| 2191 | Washer, Lock 3 to 21, 23 to 37 | 92260 | Washer, Lock 10, 21 | 119653 | Ring, Retaining 10, 22 |
| 2263 | Nut (8-32 Hex) 21 | 92265 | Screw (2-56 x 1/8 Rd) 17 | 119654 | Ring, Retaining 9, 24 |
| 2382 | Washer, Lock 26 | 93108 | Washer, Lock 11, 13 | 119655 | Ring, Retaining 3, 9, 24, 37 |
| 2449 | Washer, Lock 4, 6, 11, 13, 17, 20 | 93117 | Washer, Lock 8, 15, 17, 22, 27, 28, 37 | 119658 | Ring, Retaining 29 |
| 2669 | Washer, Lock 3, 4, 5, 6, 7, 9, 10, 11, 12, 13, 14, 16, 17, 18, 21, 23, 25, 26, 27, 30, 31, 32, 36 | 95320 | Switch, Toggle (SP-ST) 7, 11, 13, 38, 39 | 120175 | Plate (ON-OFF) 3, 6, 7, 11, 13, 26, 30, 31 |
| 2836 | Spring 22 | 97981 | Spacer 28 | 120206 | Socket, Lamp 26 |
| 3438 | Washer, Flat 4, 5, 6, 9, 13, 14, 17, 21, 26, 36 | 98659 | Bracket, Switch 3 | 121242 | Clamp, Cable (1/8" ID) 6, 26, 36 |
| 3598 | Nut (6-40 Hex) 6, 7, 10, 11, 12, 13, 14, 17, 21, 24, 25, 27, 31, 33, 34, 35 | 98718 | Washer, Flat 29 | 121243 | Clamp, Cable (3/16" ID) 8, 29 |
| 3606 | Nut (6-40 Hex) 16, 17, 18, 28, 30 | 98726 | Screw (3-48 x 1/4 Fil) 11, 13, 26, 27 | 121244 | Clamp, Cable (1/4" ID) 4, 7, 21 |
| 3624 | Washer, Flat 8, 15, 22, 28 | 98736 | Switch, Toggle (SP-ST) 31 | 121245 | Clamp, Cable (5/16" ID) 6, 29 |
| 3640 | Washer, Lock 3, 5, 6, 8, 15, 17, 19, 22, 28, 33, 34, 36, 37 | 99381 | Foot, Rubber 6, 21, 26, 36 | 121246 | Clamp, Cable (3/8" ID) 21 |
| 3646 | Washer, Lock 6, 21, 26, 36 | 101633 | Washer, Flat 18 | 121247 | Clamp, Cable (7/16" ID) 11, 13, 21 |
| 3649 | Washer, Flat 36 | 102465 | Screw (6-40 x 37/64 Fil) 24 | 121248 | Clamp, Cable (1/2" ID) 11, 13 |
| 3870 | Spring 17 | 103033 | Lid, Tape Reel 29 | 121249 | Clamp, Cable (5/8" ID) 11, 13, 15 |
| 3899 | Spacer (.188") 28 | 103323 | Washer, Flat 37 | 121416 | Roller 29 |
| 6565 | Screw (8-32 x 1-1/4 Fil) 6, 21, 26, 36 | 104124 | Screw (1/4-32 x 11/32 Hex) 4, 6, 11, 13 | 121418 | Screw, Shoulder (6-40) 29 |
| 7002 | Washer, Flat 4, 6, 7, 8, 9, 10, 11, 12, 13, 14, 15, 16, 17, 21, 24, 25, 26, 27, 28, 30, 33, 34, 36, 37 | 104807 | Washer, Flat 33, 34 | 121539 | Terminal 38, 39 |
| 7599 | Spring 19 | 107116 | Washer, Lock 16 | 121551 | Screw (8-32 x 1/4 Hex) 29 |
| 8449 | Spacer (.094") 8, 15, 17, 28, 29 | 107393 | Switch, Toggle (SP-ST) 3 | 121630 | Washer, Flat 14 |
| 22015 | Spring 37 | 107398 | Terminal 3, 38, 39 | 122245 | Capacitor (43-48 MFD) 7 |
| 25123 | Screw (1/4-32 x 7/16 Hex) 20 | 110126 | Washer, Lock 29, 31 | 123539 | Clamp, Cable 36 |
| 35503 | Foot, Rubber 30 | 110191 | Washer, Lock 29 | 123699 | Screw, Shoulder (6-40) 35 |
| 35551 | Screw (10-32 x 3/4 Flat) 16, 23 | 110435 | Nut (4-40 Hex) 15, 17 | 123706 | Screw (10-32 x 1/4 Flat) 4, 23 |
| 42062 | Washer, Flat 36 | 110437 | Spring 15 | 124177 | Washer, Lock 10, 19, 25 |
| 44048 | Washer, Flat 21, 31 | 110438 | Spring 22 | 124396 | Switch Assembly 6, 26, 30, 32 |
| 45815 | Washer, Lock 15, 21, 26 | 110664 | Switch, Toggle (SP-ST) 21 | 124611 | Screw (8-32 x 3/8 Hex) 21 |
| 49056 | Screw (10-32 x 7/8 Hex) 12, 14 | 110743 | Washer, Lock 10, 12, 14, 19, 25, 30, 31, 34 | 124612 | Screw (8-32 x 1/2 Hex) 31 |
| 49695 | Washer, Flat 37 | 111017 | Screw (6-40 x 5/16 Fil) 3, 6, 11, 13, 21, 27, 30, 31, 36 | 124741 | Washer, Lock 11, 13 |
| 61085 | Washer, Lock 11, 13 | 111284 | Block, Terminal 30 | 124999 | Switch, Sensitive 8, 11, 13, 15, 22, 28, 37 |
| 70314 | Washer, Flat 14 | 111427 | Washer, Flat 12, 14, 29 | 125011 | Washer, Flat 22, 28, 31, 37 |
| 71073 | Washer, Flat 17 | 111516 | Washer, Flat 15 | 125015 | Washer, Flat 8, 11, 13, 17, 18, 20, 21, 24, 25, 28, 29, 30, 37 |
| 71858 | Washer, Flat 17 | 111776 | Connector, Plug (4 Pt) 28 | 125175 | Screw (10-32 x 5/16 Hex) 7 |
| 74100 | Washer, Leather 15 | 111777 | Connector, Receptacle (4 Pt) 27, 28 | 125205 | Screw (6-40 x 7/16 Fil) 9, 24 |
| 74479 | Bushing 29 | 112080 | Washer, Flat 29 | 125218 | Nut (1/4-32 Hex) 11, 13 |
| 74807 | Nut (10-32 Hex) 10, 25 | 112626 | Nut (10-32 Hex) 3, 12, 14, 15, 16, 23, 32, 36 | 125224 | Nut (1/4-32 Hex) 4, 6, 11, 13 |
| 76081 | Washer, Flat 10 | 112663 | Screw, Shoulder (6-40) 35 | 125229 | Nut (6-32 Hex) 37 |
| 76461 | Washer, Flat 11, 13, 17, 29, 30 | 113850 | Washer, Flat 10 | 125231 | Nut (10-32 Hex) 11, 13 |
| 76953 | Washer, Flat 11, 13 | 114125 | Screw (6-40 x 3/8 Hex) 10, 19, 25 | 125250 | Spring 15 |
| 78596 | Washer, Friction 10 | 114466 | Connector, Receptacle (2 Pt) 3, 6, 26 | 129919 | Fuse (4 Amp) 6, 31 |
| 80342 | Screw (6-40 x 23/64 Hex) 29 | 114467 | Connector, Plug (2 Pt) 3, 6, 26 | 130499 | Bearing, Ball 10, 18 |
| 82474 | Terminal 3, 6, 7, 11, 13, 26, 30, 36, 38, 39 | 115594 | Nut, Speed 31 | 130892 | Washer, Felt 10, 19, 25 |
| 82725 | Spring 10, 25 | 116669 | Lens (Red) 26 | 131097 | Terminal 38, 39 |
| 82832 | Washer, Lock 17 | 116699 | Lamp, Neon (1/25 Watt) 26 | 131099 | Terminal 27 |
| 83877 | Spring 8, 28 | 116783 | Holder, Fuse 6, 7, 21, 27, 31, 36 | 136148 | Modification Kit to Add Rubber Foot 6 |
| 84354 | Washer, Flat 20 | 117227 | Bearing, Ball 24, 25 | 138538 | Fuse (2 Amp SL-BL) 7 |
| 84551 | Jumper (5-1/4" Black) 11, 13 | 117535 | Washer, Flat 17, 21, 23, 31 | 142269 | Fuse (3 Amp SL-BL) 21, 36 |
| | | 118511 | Fuse (1/8 Amp) 7 | 142612** | Guide 28 |
| | | | | 142615 | Guide W/Roller 28 |
| | | | | 142622 | Reel, Tape 28 |
| | | | | 142623 | Reel, Tape 28 |
| | | | | 142624 | Roller 28 |
| | | | | 142625 | Shaft 28 |
| | | | | 142626 | Bracket 28 |

**Refer to page 1 for finish suffix.

NUMERICAL INDEX (Continued)

| Part Number | Description and Page Number | Part Number | Description and Page Number | Part Number | Description and Page Number |
|-------------|---|-------------|---|-------------|---|
| 142636 | Spacer 28 | 151659 | Screw (6-40 x 1/2 Fil) 12, 14 | 155861 | Washer, Lock 29 |
| 142637 | Spacer 28 | 151660 | Screw (6-40 x 7/8 Fil) 21 | 155954 | Switch 27 |
| 142648** | Retainer 28 | 151685 | Screw (4-40 x 5/16 Fil) 28, 30 | 156057 | Washer, Flat 19 |
| 142665 | Nut (8-32 Spl) 6, 21, 26, 36 | 151686 | Screw (4-40 x 3/8 Fil) 31 | 156226 | Hub 5, 9, 24, 37 |
| 142709 | Fuse (2 Amp) 27 | 151688 | Screw (4-40 x 5/8 Fil) 29 | 156334 | Stud 4, 6, 11 |
| 144727 | Keytop W/Shaft 27 | 151690 | Screw (10-32 x 5/16 Fil) 10 | 156336 | Post 4, 6 |
| 144729 | Bracket 27 | 151691 | Screw (10-32 x 3/8 Fil) 21 | 156337 | Washer, Flat 6, 21, 26, 36 |
| 144731 | Plate, Switch Actuator 27 | 151692 | Screw (6-40 x 3/16 Fil) 10, 26, 31 | 156338 | Post 4, 6 |
| 144732 | Insulator 27 | 151693 | Screw (6-40 x 9/16 Fil) 12, 14, 31 | 156339 | Bushing 21, 26, 36 |
| 144733 | Spring, Compression 27 | 151694 | Screw (6-40 x 11/32 Fil) 5, 37 | 156340 | Bracket 3 |
| 144734 | Plate, Retaining 27 | 151712 | Button, Pivot 36 | 156342 | Plate 8 |
| 150089 | Screw (4-40 x 1/2 Fil) 5, 10, 12, 14, 19, 31 | 151721 | Screw (6-40 x 3/4 Hex) 8, 12, 25, 28 | 156343 | Hub 5 |
| 150336 | Bushing 28 | 151722 | Screw (6-40 x 3/16 Hex) 3, 6, 12, 14, 29, 30, 37 | 156344 | Bracket, Adjusting 4, 6, 11, 13 |
| 150432 | Washer, Flat 12 | 151723 | Screw (10-32 x 3/8 Hex) 4, 13, 14, 17, 21, 23, 26, 31 | 156398 | Holder, Bearing 5 |
| 150456 | Spacer 10, 25 | 151724 | Screw (10-32 x 5/8 Hex) 21, 26, 36 | 156400 | Pulley, Toothed (28 T) 5, 12, 14, 19 |
| 150652 | Screw (4-40 x 37/64 Fil) 19 | 151731 | Screw (4-40 x 7/8 Fil) 19 | 156444 | Plate, Lower Base 6 |
| 150711 | Washer, Flat 29 | 151732 | Screw (6-40 x 11/32 Fil) 7, 10, 19, 25 | 156445 | Bracket, Switch 6 |
| 150802 | Clamp 12, 14 | 151733 | Screw (4-40 x 9/16 Fil) 15, 17, 19 | 156446 | Handle 6 |
| 150949 | Plate, Serial 17 | 151737 | Screw (4-40 x 11/64 Hex) 22 | 156448 | Bushing 8, 15, 17, 28 |
| 150950 | Plate, Code 17 | 151819 | Jumper (3" Black) 6, 7, 21, 36 | 156449 | Lever, Switch 8, 15, 17, 28 |
| 150966 | Insulator (1-9) 3, 11, 13, 27 | 151827 | Strap, Terminal 21 | 156451 | Bushing 8, 15, 17, 28 |
| 150992 | Stud 15, 17 | 151880 | Nut (4-40 Hex) 10, 11, 13, 19, 28 | 156452 | Lever, Tape 8, 28 |
| 151073 | Screw (4-40 x 5/32 Fil) 37 | 151922 | Clamp 36 | 156460 | Panel 4, 6, 7, 8 |
| 151152 | Screw (4-40 x 3/16 Hex) 19, 33, 34 | 151925 | Clamp 36 | 156470 | Guide, Tape 8 |
| 151229 | Washer, Flat 17, 26 | 151926 | Nut (4-40 Spl) 36 | 156501 | Screw (6-40 x 7/32 Fil) 28 |
| 151245 | Washer, Felt 22 | 152400 | Plate, Selector Mounting 17 | 156588 | Ring, Retaining 18 |
| 151335 | Stud 3, 6, 11, 13, 21, 27, 30, 31, 36 | 152890 | Washer, Flat 29 | 156656 | Jumper (2-3/4" Black) 26 |
| 151346 | Screw (6-40 x 3/8 Fil) 5, 9, 12, 14, 18, 19, 24, 37 | 152893 | Screw (4-40 x 1/4 Hex) 34 | 156758 | Bracket 29 |
| 151411 | Block, Terminal 3, 6, 21, 31 | 153442 | Screw (10-32 x 1/2 Hex) 3, 15, 17 | 156768 | Screw (8-32 x 9/32 Hex) 21, 29 |
| 151412 | Insulator (1-9) 3, 6, 21, 31 | 153459 | Block, Terminal 31 | 156769 | Plate, Identification (Teletype) 17 |
| 151415 | Block, Terminal 3, 11, 13, 27 | 153484 | Screw (6-32 Spl) 31 | 156807 | Disk 18 |
| 151416 | Nut (6-40 Hex) 3, 6, 11, 13, 21, 27, 31, 36 | 153537 | Screw (6-40 x 9/32 Hex) 29 | 156808 | Disk 18 |
| 151442 | Screw (6-40 x 1/2 Hex) 10, 12, 14, 17, 18, 21, 24, 37 | 153538 | Screw (6-40 x 7/16 Hex) 11, 13, 15, 17, 37 | 156861 | Ring, Retaining 5, 9, 24 |
| 151453 | Nut (10-32 Hex) 26 | 153539 | Screw (6-40 x 11/16 Hex) 8, 15, 17, 28 | 156864 | Pulley, Toothed (16 T) 5 |
| 151540 | Lampholder 6 | 153817 | Screw (4-40 x 3/8 Hex) 11, 13 | 156866 | Belt, Toothed (55 T) 5, 9, 24 |
| 151556 | Knob W/Set Screw 23 | 153819 | Washer, Lock 17, 26, 27, 31 | 156867 | Frame, Main 4 |
| 151562 | Lamp, Incandescent (115 V) 6 | 153839 | Screw (6-40 x 5/8 Hex) 29 | 156879 | Plate, Upper Base 32 |
| 151572 | Washer, Star 20, 26 | 153841 | Screw (6-40 x 9/16 Hex) 30 | 156887 | Screw (10-32 x 9/16 Hex) 4, 5, 6, 9, 21, 32 |
| 151606 | Screw (10-32 x 1/4 Hex) 6, 7, 18, 26, 27, 30 | 154076 | Plate, Nut 20 | 156898 | Cable W/Terminals 3, 38 |
| 151610 | Washer, Flat 8, 9, 15, 21, 24 | 154406 | Block, Terminal 30 | 156904 | Guard 5 |
| 151618 | Screw (6-40 x 7/16 Fil) 19 | 154437 | Insulator (1-20) 31 | 156936 | Screw (1/4-32 x 5/16 Hex) 4, 6, 11, 13 |
| 151626 | Terminal 3, 6, 7, 8, 11, 13, 21, 22, 26, 27, 29, 30, 31, 32, 36, 37, 38, 39 | 154438 | Insulator (21-40) 31 | 156949 | Gear (36 T) 9, 24 |
| 151630 | Screw (6-40 x 1/4 Hex) 3, 5, 6, 7, 8, 9, 10, 11, 13, 14, 15, 17, 18, 21, 23, 24, 25, 26, 27, 28, 30, 32, 33, 34, 36, 37 | 154446 | Cover 31 | 156950 | Shaft W/Bearing 10 |
| 151631 | Screw (6-40 x 5/16 Hex) 4, 6, 7, 8, 9, 11, 12, 13, 14, 16, 17, 18, 20, 21, 29, 36, 37 | 154697 | Grommet, Rubber 36 | 156951 | Link 10 |
| 151632 | Screw (6-40 x 3/8 Hex) 9, 15, 16, 17, 18, 20, 21, 24, 25, 27, 31, 34, 36 | 155750 | Sleeve, Insulating (3/32 ID x 1/2" LG) 3, 7, 11, 13, 38, 39 | 156952 | Lever, Guide 10, 25 |
| 151634 | Bearing, Ball 12, 14 | 155751 | Sleeve, Insulating (1/8 ID x 1" LG) 3, 11, 28 | 156953 | Hub, Sprocket 10 |
| 151637 | Screw (4-40 x 1/4 Fil) 3, 6, 36 | 155752 | Sleeve, Insulating (5/64 ID x 1/2" LG) 7, 26, 38, 39 | 156954 | Stud 10, 25 |
| 151657 | Screw (6-40 x 1/4 Fil) 27, 28, 30 | 155753 | Sleeve, Insulating (1/8 ID x 1/2" LG) 7, 22, 30, 31, 38, 39 | 156955 | Pulley, Toothed (24 T) 10 |
| 151658 | Screw (6-40 x 5/16 Fil) 6, 18, 19, 30 | 155754 | Sleeve, Insulating (1/16 ID x 1/2" LG) 7, 21, 26, 38, 39 | 156956 | Retainer, Belt 10 |
| | | 155755 | Sleeve, Insulating (11/64 ID x 5/8" LG) 32, 36, 37 | 156958 | Pulley, Toothed (21 T) 9 |
| | | | | 156959 | Bushing 10 |
| | | | | 156960 | Screw, Shoulder (6-40) 10 |
| | | | | 156961 | Screw, Shoulder (6-40) 10 |
| | | | | 156962 | Ring, Retaining 10, 25 |
| | | | | 156964 | Gear (9 T) 9, 24 |
| | | | | 156965 | Frame, Gear Shift 9 |
| | | | | 156966 | Plate, Base 4, 5 |
| | | | | 156967 | Shaft, Drive 9 |
| | | | | 156968 | Plate, Guide 9 |
| | | | | 156971 | Screw (2-56 x 3/4 Fil) 8, 28 |
| | | | | 156972 | Cable Assembly 8 |
| | | | | 156974 | Container Assembly, Tape 8 |
| | | | | 156975 | Bracket, Connector Mounting 3 |

**Refer to page 1 for finish suffix.

NUMERICAL INDEX (Continued)

| Part Number | Description and Page Number | Part Number | Description and Page Number | Part Number | Description and Page Number |
|-------------|---|-------------|--------------------------------------|-------------|---|
| 156976 | Connector, Plug (32 Pt) 3, 38, 39 | 161507 | Plate, Bearing Mounting 12 | 161798 | Guide W/Bracket 20 |
| 156978 | Cable Assembly 3, 38 | 161508 | Bar, Mounting Plate 12, 14 | 161800 | Bracket 20 |
| 156981 | Gear (44 T) 5 | 161509 | Hub, Sprocket 12, 14 | 161801 | Bracket, Mounting 31 |
| 156982 | Pinion (9 T) 5 | 161510 | Pulley, Toothed (16 T) 12, 14 | 161803 | Guide, Tape 17 |
| 156983 | Gear (47 T) 5 | 161511 | Retainer, Belt 5, 12, 14, 19 | 161804 | Guide, Tape 17 |
| 156984 | Pinion (12 T) 5 | 161512 | Retainer 12 | 161805 | Guard, Gear 18 |
| 156985 | Gear (42 T) 5 | 161513 | Clamp 12, 14 | 161806 | Belt, Timing 19 |
| 156986 | Pinion (14 T) 5 | 161514 | Plate 12, 14 | 161807 | Shift Assembly, Gear 19 |
| 158163 | Switch, Sensitive 17 | 161516 | Pan, Oil 11 | 161809 | Stud 18 |
| 158215 | Plate, Nut 6, 34 | 161519 | Gear Set 5 | 161811 | Gear Set 19 |
| 158238 | Plate 15 | 161520 | Belt, Toothed (64 T) 12, 14 | 161812 | Gear Set 19 |
| 158239 | Lever, Tape 15, 17, 37 | 161523 | Panel 15 | 161813 | Gear Set 19 |
| 158250 | Block, Terminal 36 | 161526 | Connector, Receptacle (14 Pt) 11, 13 | 161815 | Modification Kit 20 |
| 158252 | Insulator (1-6) 36 | 161527 | Container Assembly, Tape 15 | 161817 | Connector, Plug (2 Pt) 31 |
| 158289 | Reel, Tape 8, 15, 17 | 161528 | Cable Assembly 11, 13 | 161818 | Connector, Receptacle (2 Pt) 38, 39 |
| 158640 | Motor (115 V AC) 29 | 161529 | Guide, Tape 15 | 161819 | Guard, Gear 18 |
| 158712 | Gear (26 T) 9, 19 | 161530 | Gear Set 12 | 161821 | Cable Assembly 17, 38 |
| 158716 | Gear (39 T) 10, 19 | 161531 | Gear (44 T) 12 | 161824 | Stud 18 |
| 158723 | Roller 10, 19, 25 | 161532 | Pinion (9 T) 12 | 161826 | Plate 17 |
| 158732 | Gear (24 T & 18 T) 9, 19 | 161533 | Gear Set 12 | 161827 | Modification Kit to Provide Code Reading Contact Cabling 31 |
| 158733 | Gear (44 T) 10, 19, 25 | 161534 | Gear (47 T) 12 | 161873 | Resistor (5000 Ohm) 7 |
| 158734 | Gear (47 T) 10, 19 | 161535 | Pinion (12 T) 12 | 161886 | Cable Assembly 38, 39 |
| 158736 | Nut, Cap (6-40) 19 | 161536 | Gear Set 12 | 161887 | Cable Assembly 38, 39 |
| 158740 | Block 10, 19, 25 | 161537 | Gear (42 T) 12 | 161888 | Cable Assembly 38 |
| 158741 | Bar 10, 19, 25 | 161538 | Pinion (14 T) 12 | 161889 | Cable Assembly 31, 38, 39 |
| 158745 | Clamp, Bearing 5, 9, 18 | 161546 | Mount, Vibration 11, 13 | 161911 | Knob (Black) 36 |
| 158795 | Plate 37 | 161552 | Screw (10-32 Spl) 11, 13 | 161912 | Switch (SP-ST) 36 |
| 158807 | Screw (3-48 x 11/64 Fil) 17, 31 | 161654 | Gear Set 5 | 161914 | Cable Assembly 31, 38 |
| 158989 | Capacitor (20 MFD) 32 | 161655 | Gear Set 5 | 161959 | Plate, Mounting 31 |
| 158990 | Bracket, Mounting 32 | 161656 | Gear Set 5 | 161964 | Clamp, Tube 7 |
| 159287 | Retainer, Pinion 18 | 161673 | Post 11 | 162061 | Cable Control 38, 39 |
| 159341 | Bearing, Ball 9, 18, 37 | 161674 | Post 11 | 162072 | Capacitor (88 to 108 MFD) 36 |
| 159377 | Modification Kit 5 | 161676 | Hub, Gear 12, 14 | 162075 | Reel, Tape (11/16" Tape, 1" Core) 8, 15, 17 |
| 159417 | Modification Kit 9, 10 | 161678 | Modification Kit 16 | 162077 | Handle, Base 4 |
| 159433 | Plate, Grease Retainer 9 | 161680 | Modification Kit 12 | 162079 | Container Assembly, Tape 8 |
| 159540 | Post, Spring 8, 28 | 161682 | Clip, Cover 30 | 162181 | Plate, Lower Base 7 |
| 159541 | Connector, Plug (16 Pt) 6, 30, 38, 39 | 161683 | Channel W/Rail 16 | 162182 | Handle W/Strike 7 |
| 159542 | Connector, Receptacle (16 Pt) 6, 7, 38, 39 | 161684 | Channel, Right 16 | 162183 | Bushing 7 |
| 159543 | Washer, Flat 8, 28 | 161685 | Bracket, Switch 11, 13 | 162184 | Plate, Upper Base 7 |
| 159551 | Cable Assembly 3, 38 | 161687 | Guard, Gear 12, 14 | 162185 | Bracket, Switch 7, 32 |
| 159589 | Bracket, Mounting 6, 7 | 161711 | Block, Guide 16 | 162187 | Bracket, Lamp Holder 7 |
| 159592 | Cable Assembly 6 | 161716 | Block, Support 16 | 162213 | Modification Kit 12 |
| 159600 | Shaft W/Bearings 5 | 161770 | Bracket, Mounting 17 | 162214 | Pulley, Toothed (20 T) 12 |
| 159603 | Washer, Captive 6 | 161772 | Bracket 18, 19 | 162215 | Hub 12 |
| 159604 | Screw (10-32 x 1/2 Hex) 6 | 161773 | Container, Tape 17 | 162216 | Retainer, Belt 12 |
| 159610 | Mount, Vibration 6, 21, 26, 36 | 161777 | Stud, Mounting 20 | 162217 | Modification Kit 12 |
| 159611 | Bell 30 | 161778 | Stud, Mounting 20 | 162218 | Pulley, Toothed (29 T) 5, 12 |
| 159928 | Cable Assembly 6, 38 | 161779 | Shaft W/Bearing 18, 19 | 162219 | Pulley, Toothed (27 T) 12 |
| 159929 | Bracket, Light Mounting 6 | 161780 | Retainer 18 | 162220 | Hub 12 |
| 159931 | Clamp, Cable 6 | 161781 | Hub 18 | 162221 | Retainer, Belt 12 |
| 159932 | Keeper 6 | 161782 | Gear (90 T) 18 | 162222 | Belt, Timing 12 |
| 159991 | Plate, Clamp 10 | 161783 | Gear (45 T) 18 | 162225 | Bracket, Mounting 30 |
| 160307 | Diode 7 | 161784 | Gear (18 T) 19 | 162226 | Bracket, Terminal Strip 30 |
| 161103 | Gear (49 T) 5 | 161785 | Gear (24 T) 19 | 162228 | Insulator (1-6) 30 |
| 161104 | Pinion (11 T) 5 | 161786 | Gear (26 T) 19 | 162230 | Cover, Service Assembly 30 |
| 161238 | Connector, Receptacle (36 T) 17, 26, 27, 31, 38, 39 | 161787 | Shaft W/Bearing 18, 19 | 162283 | Plate, Lower Base 30 |
| 161239 | Connector, Plug (36 T) 7, 21, 26, 27, 31, 38, 39 | 161788 | Hub 19 | 162284 | Insulator (1-10) 30 |
| 161301 | Post 18 | 161789 | Pulley, Toothed (16 T) 19 | 162285 | Cable Assembly 30, 38 |
| 161503 | Base 11 | 161790 | Gear (44 T) 19 | 162286 | Cable, Rectifier 30, 38 |
| 161505 | Stud 11, 13, 17 | 161791 | Gear (47 T) 19 | 162287 | Plate, Lower Base 30 |
| 161506 | Shaft 12 | 161792 | Gear (39 T) 19 | 162288 | Bar, Cover 30 |
| | | 161793 | Block 19 | 162373 | Cable Assembly 8 |
| | | 161794 | Block, Slide 19 | 162374 | Switch Assembly, Tape Out 8 |
| | | 161795 | Stud 19 | 162574 | Cable Assembly, Control 7, 38, 39 |
| | | 161796 | Stud 19 | | |
| | | 161797 | Plate, Index 19 | | |

NUMERICAL INDEX (Continued)

| Part Number | Description and Page Number | Part Number | Description and Page Number | Part Number | Description and Page Number |
|-------------|--|-------------|--------------------------------------|-------------|--|
| 162653 | Retainer 24, 25, 37 | 164781 | Cable Assembly 26, 39 | 176091 | Bracket 21 |
| 162730 | Screw (1/4-20 x 7/16 Hex) 17 | 164782 | Pinion (6 T) 35 | 176092 | Bracket 21 |
| 162846 | Modification Kit to Provide a Cover Clip for Base 30 | 164783 | Gear (52 T) 35 | 176093 | Plate 21 |
| 162900 | Plate, Lower Base 26, 27 | 164784 | Gear Set 35 | 176094 | Guide W/Roller, Tape 21 |
| 162901 | Plate, Upper Base 26, 27 | 164873** | Modification Kit 28 | 176095 | Lamp, Tape Out (Red) 21, 36 |
| 162902 | Bracket, Switch 26 | 165082 | Clamp, Cable 30 | 176099 | Gear (22 T & 18 T) 24 |
| 162903 | Bracket, Connector 26 | 165083 | Keeper, Clamp 30 | 176100 | Modification Kit 24, 25 |
| 162904 | Post 26 | 170306 | Modification Kit 34 | 176112 | Plate, Bottom 23 |
| 162905 | Post 26 | 171952 | Connector, Shielding 11 | 176113 | Plate, Top 23 |
| 162906 | Stud 26 | 171953 | Connector, Shielding 11 | 176114 | Plate, Stop 23 |
| 162920 | Chute, Chad 34 | 171972 | Connector, Shielding 11 | 176115 | Block 23 |
| 162957** | Winder Assembly, Tape 29 | 171973 | Connector, Shielding 11 | 176116 | Bracket, Stop 23 |
| 162958 | Switch, Mercury 29 | 172964 | Base 11 | 176117 | Bracket 21 |
| 162978 | Disk, Tape Reel 29 | 172965 | Pan, Oil 11 | 176118 | Spring (Left) 23 |
| 162980 | Hub 29 | 172967 | Chute, Chad 33 | 176119 | Spring (Right) 23 |
| 162983 | Arm, Tape Tension 29 | 172969 | Bracket, Rail 33 | 176120 | Post 23 |
| 162985 | Arm, Tape Guide 29 | 172973 | Bracket, Mounting 30 | 176121 | Slide 23 |
| 162986 | Cable 29 | 172975 | Cable Assembly, Control 38 | 176123 | Cable Assembly 21, 39 |
| 163256 | Modification Kit 9, 10 | 173007 | Bracket, Connector Mounting 11, 13 | 176124 | Cable Assembly 22 |
| 163260 | Gear (36 T) 9 | 173023 | Modification Kit 12 | 176287 | Modification Kit 20 |
| 163261 | Gear (22 T) 9 | 173425 | Relay, Motor Starting 36 | 176288 | Guide, Tape 20 |
| 163262 | Gear (49 T) 10, 19, 25 | 173441 | Cable W/Terminals 39 | 176295 | Gear Set 5 |
| 163263 | Roller 10 | 173442 | Cable Assembly 39 | 176296 | Gear (15 T) 5 |
| 163264 | Shaft, Gear Shift 9 | 173484 | Modification Kit 32 | 176297 | Gear (43 T) 5 |
| 163265 | Block 10 | 173583 | Pulley, Toothed (37 T) 12 | 176417 | Ring, Retaining 37 |
| 163280 | Bracket, Mounting 6 | 173584 | Modification Kit 12 | 176419 | Ring, Retaining 12, 14 |
| 163281 | Bracket 6 | 173713 | Cable W/Terminals 32 | 176422 | Bracket, Mounting 20 |
| 163282 | Cable, Control 38 | 173820 | Gear Set 19 | 176514 | Container, Chad 33 |
| 163283 | Cable Assembly 38 | 173821 | Pinion (20 T) 19 | 176536 | Cable Assembly 11 |
| 163296 | Cable Assembly, Control 39 | 173822 | Gear (49 T) 19 | 176542 | Modification Kit to Provide Chad Disposal for Reperforator Base 33 |
| 163328 | Plate, Guide 9 | 173827 | Plate, Mounting 32 | 176610 | Lever 25 |
| 163333 | Cable Assembly, Control 39 | 173849 | Cable Assembly 39 | 176612 | Washer, Flat 21 |
| 163446 | Pinion (22 T) 19 | 173974 | Screw (10-32 x 5/16 Hex) 3, 6, 7 | 176613 | Grommet, Rubber 21 |
| 163447 | Gear (49 T) 19 | 174418 | Detent, Left 33 | 177006 | Cable Assembly 21, 39 |
| 163448 | Gear Set 19 | 174419 | Detent, Right 33 | 178426 | Plate, Nut 11, 13, 17 |
| 163449 | Pinion (27 T) 19 | 174459 | Modification Kit 23 | 178427 | Plate, Nut 11, 13, 17 |
| 163450 | Gear (40 T) 19 | 174492 | Container Assembly, Tape 22 | 178696 | Cover, Tape Winder 29 |
| 163451 | Gear Set 19 | 176050 | Container, Tape 22 | 178706** | Bracket, Mounting 29 |
| 163587 | Bracket, Mounting 17, 31 | 176056 | Bail, Tape Sensing 22 | 178709 | Bracket, Locking Cover 27 |
| 163674 | Chute, Chad 34 | 176057 | Bail, Switch Actuating 22 | 178710 | Spacer, Tape Arm 29 |
| 163868 | Guide, Tape 8 | 176058 | Reel, Tape (11/16" Tape, 2" Core) 22 | 178713 | Bracket, Switch 29 |
| 164099 | Cable Assembly 39 | 176060 | Spacer 22 | 178714 | Switch, Rocker Type 29 |
| 164272 | Modification Kit 34 | 176061 | Retainer 22 | 178715 | Stud, Tape 29 |
| 164273 | Chute, Chad 34 | 176062 | Bracket, Front 21 | 178741 | Shaft 14 |
| 164275 | Chute, Chad 34 | 176063 | Bracket, Rear 21 | 178742 | Shaft 14 |
| 164278 | Chute, Chad 34 | 176065 | Bracket 24, 25 | 178743 | Plate, Bearing Mounting 14 |
| 164279 | Chute, Chad 33, 34 | 176066 | Cylinder, Locking 23 | 178744 | Bracket 14 |
| 164305** | Plate 26 | 176068 | Shaft 24 | 178745 | Base 13 |
| 164337 | Pinion (9 T) 12 | 176069 | Shaft 25 | 178746 | Pan, Oil 13 |
| 164338 | Gear (40 T) 12 | 176071 | Gear (52 T) 25 | 178747 | Plate, Front 13 |
| 164339 | Pinion (10 T) 12 | 176072 | Gear (35 T) 24 | 178749 | Post 13 |
| 164340 | Gear (37 T) 12 | 176073 | Sprocket (21 T) 24 | 178750 | Post 13 |
| 164341 | Modification Kit 33 | 176074 | Sprocket (24 T) 25 | 178751 | Bushing 14 |
| 164343 | Container, Chad 33 | 176075 | Belt, Toothed (40 T) 37 | 178752 | Stud 13 |
| 164423 | Container Assembly, Tape 8 | 176076 | Stud 25 | 178791 | Cable Assembly 39 |
| 164588 | Cable Assembly, Control 39 | 176077 | Stud 25 | 178796 | Gear (14 T) 14 |
| 164589 | Cable Assembly 39 | 176078 | Bracket, Guide 24, 25 | 178797 | Gear (42 T) 14 |
| 164590 | Connector, Plug (24 Pt) 38, 39 | 176079 | Isolator, Vibration 21 | 178798 | Gear Set 14 |
| 164766 | Bracket, Lamp Socket 26 | 176082 | Plate, Lower Base 21 | 178799 | Gear (45 T) 14 |
| 164767 | Cable W/Terminal 26, 39 | 176085 | Nut, Self-Locking (10-32 Hex) 21 | 178800 | Gear (53 T) 14 |
| 164768** | Panel, Left 28 | 176086 | Bracket W/Pin 21 | 178801 | Gear Set 14 |
| 164769** | Panel, Right 28 | 176088 | Plate, Upper Base 21 | 178802 | Gear (33 T) 14 |
| 164770** | Plate, Left 28 | 176090 | Bracket 21 | 178803 | Gear (49 T) 14 |
| 164771** | Plate, Right 28 | | | 178804 | Gear Set 14 |
| 164772 | Cable Assembly 28 | | | 178810 | Gear (30 T) 14 |
| 164773** | Plate, Mounting 28 | | | 178811 | Gear (49 T) 14 |

NUMERICAL INDEX (Continued)

| Part Number | Description and Page Number | Part Number | Description and Page Number | Part Number | Description and Page Number |
|-------------|-----------------------------|-------------|--|-------------|--|
| 178813 | Gear Set 14 | 193621 | Gear Set 35 | 193779 | Bracket, Fuse Mounting 7 |
| 178814 | Gear (37 T) 14 | 193628 | Bracket, Lamp Holder 27 | 193780 | Bracket 7 |
| 178815 | Gear (37 T) 14 | 193629 | Cable Assembly, Selector Magnet 27, 39 | 193783 | Cable Assembly 27, 39 |
| 178869 | Shift Assembly, Gear 19 | 193630 | Cable Assembly, Indicator Lamp 27, 39 | 193794** | Modification Kit 28 |
| 178870 | Gear (22 T & 18 T) 9, 19 | 193631 | Bracket 27 | 193837 | Guide, Tape 8 |
| 178885 | Plate, Index 19 | 193632 | Switch Assembly 27 | 194221 | Cable Assembly, Tape Out Switch 8 |
| 178910 | Spacer 10, 19 | 193633 | Cable Assembly, Tape FO 39 | 194862 | Extension 34 |
| 179134 | Bushing 21 | 193634 | Bracket, Connector Fuse 27 | 195110 | Plate, Lower Base 37 |
| 179252 | Modification Kit 34 | 193635 | Indicator, Neon 27 | 195111 | Plate, Upper Base 36 |
| 179256 | Chute, Chad 34 | 193636 | Indicator, Neon 27 | 195112 | Bracket 36 |
| 179344 | Cable Assembly 39 | 193637 | Insulator 27 | 195113 | Cable Assembly 36 |
| 179345 | Cable Assembly 39 | 193641 | Gear (6 T) 35 | 195114 | Plate Identification 36 |
| 179528** | Plate, Oil Pan 11 | 193642 | Gear (40 T) 35 | 195115 | Shaft W/Bearing 37 |
| 179657 | Pulley, Toothed (28 T) 37 | 193643 | Gear Set 35 | 195116 | Bracket 36 |
| 179962 | Gear (40 T) 10, 19 | 193666** | Guard, Sprocket 35 | 195117 | Cable Assembly 36 |
| 179963 | Gear (27 T) 9, 19 | 193667 | Modification Kit 35 | 195118 | Cable Assembly 37 |
| 179965 | Modification Kit 9, 10 | 193676 | Gear (42 T) 35 | 195119 | Bracket 36 |
| 179969 | Plate, Guide 9 | 193677 | Gear (8 T) 35 | 195120 | Container, Tape 37 |
| 192678 | Shift Assembly, Gear 19 | 193678 | Gear Set 35 | 195121 | Lever W/Hub 37 |
| 192680 | Plate, Index 19 | 193679 | Gear (39 T) 35 | 195122 | Guide, Tape 37 |
| 192684 | Plate, Clamp 10 | 193680 | Gear (5 T) 35 | 195123 | Handle W/Post 37 |
| 192685 | Frame, Gear Shift 9 | 193681 | Gear Set 35 | 195128 | Brace 37 |
| 192788 | Gear (47 T) 35 | 193705 | Cord Assembly, Fuse 27 | 195139 | Bracket Assembly 37 |
| 192789 | Gear (6 T) 35 | 193706 | Wire Assembly (3" White-Orange) 27 | 195219 | Bracket 37 |
| 192790 | Gear (49 T) 35 | 193707 | Wire Assembly (3" White-Blue) 27 | 195388 | Modification Kit 32 |
| 192791 | Gear (5 T) 35 | 193708 | Wire Assembly (3" Black) 27 | 195399 | Cable W/Terminals 32 |
| 192864 | Disk, Tape Reel 8 | 193727 | Plate 6 | 195400 | Pulley, Toothed (16 T) 37 |
| 192865 | Container, Tape Reel 8 | 193778 | Cable Assembly 39 | 197693 | Shaft W/Bearing 12 |
| 192867 | Container Assembly, Tape 8 | | | 197699 | Modification Kit to Provide a New Style Shaft W/Bearing 12 |
| 192868 | Spacer, Tape Container 8 | | | 207223WU | Spacer 8 |
| 193620 | Gear Set 35 | | | | |