

28 SEND-RECEIVE REPERFORATOR KEYBOARD BASE (LTRK)

and

28 SEND-RECEIVE TAPE PRINTER KEYBOARD BASE (LTPK)

FIGURE	CONTENTS	PAGE	FIGURE	CONTENTS	PAGE
1	Keyboard Base	2		Backspace Mechanism	16
2	Electrical Components	3	18	163775 Modification Kit to provide Repeat on Space Mechanism	16
3	Casting	4	19	Gear Sets	17
4	Tape Container	5	20	Gear Shift Mechanism for Tape Printer Keyboard Base	18
5	Function Bail Mechanism	6	21	Gear Shift Mechanism for Tape Printer Keyboard Base	19
6	Intermediate Gear Mechanism	6	22	Connectors and Cable	20
7	Keyboard	7	23	Electrical Components for Tape Printer Keyboard Base	21
8	Code Bar Mechanism	8	24	193800 Modification Kit to provide Synchronous Pulsed Transmission	22
9	Universal Bail Mechanism	9	25	192999 Modification Kit to provide Vacuum Clad Removal for Send-Receive Typing Reperforator Set	23
10	Bail Lock Mechanism	9	26	Cables	24
11	Signal Generator Frame Mechanism	10		Numerical Index	25
12	Signal Generator Shaft Mechanism	11			
13	Signal Generator Front Plate Mechanism	12			
14	Signal Generator Rear Plate Mechanism	13			
15	154165 and 154225 Signal Generator Contact Box Assemblies	14			
16	155990 Character Counter Mechanism	15			
17	176405 Modification Kit to add Tape				



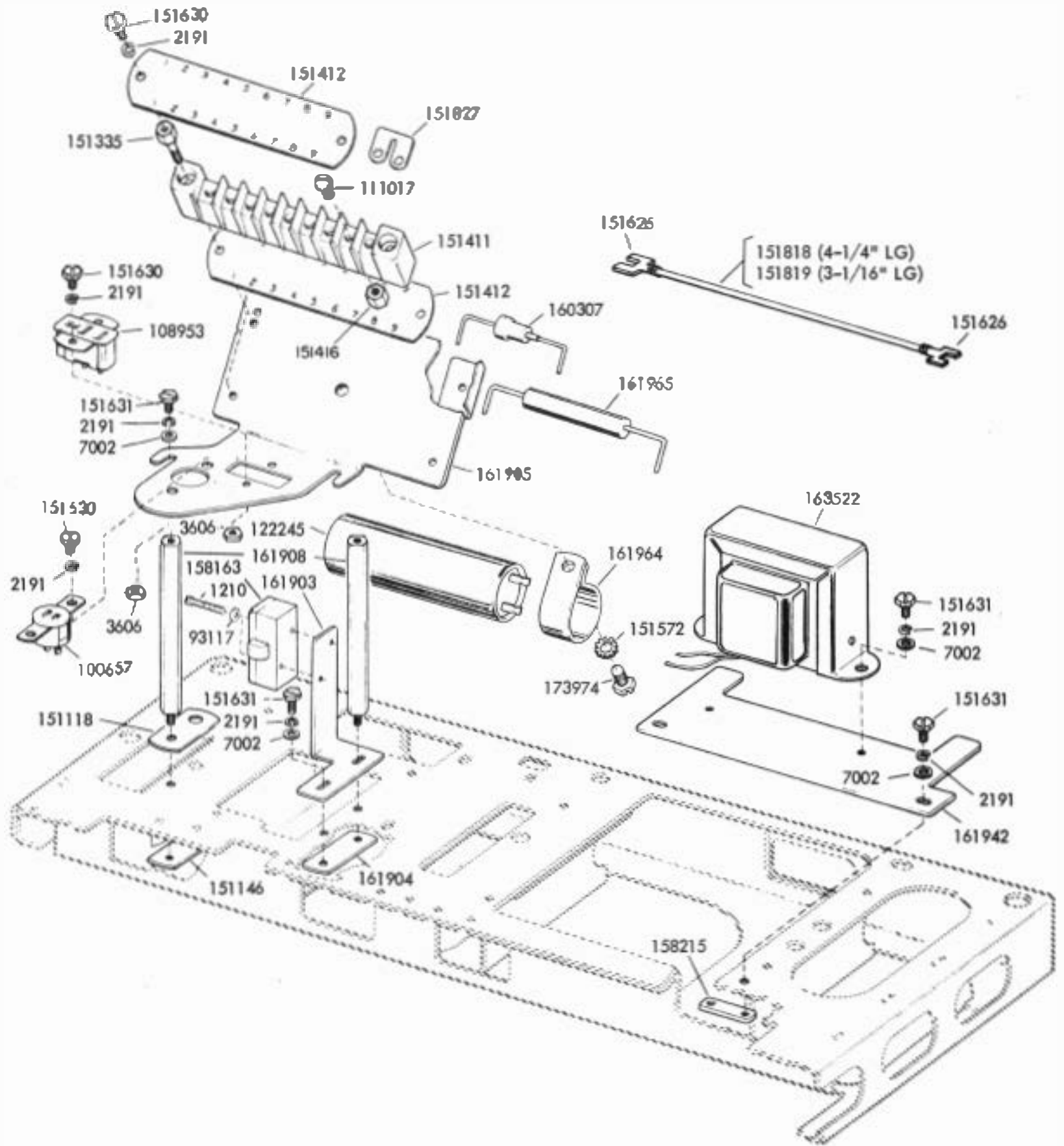
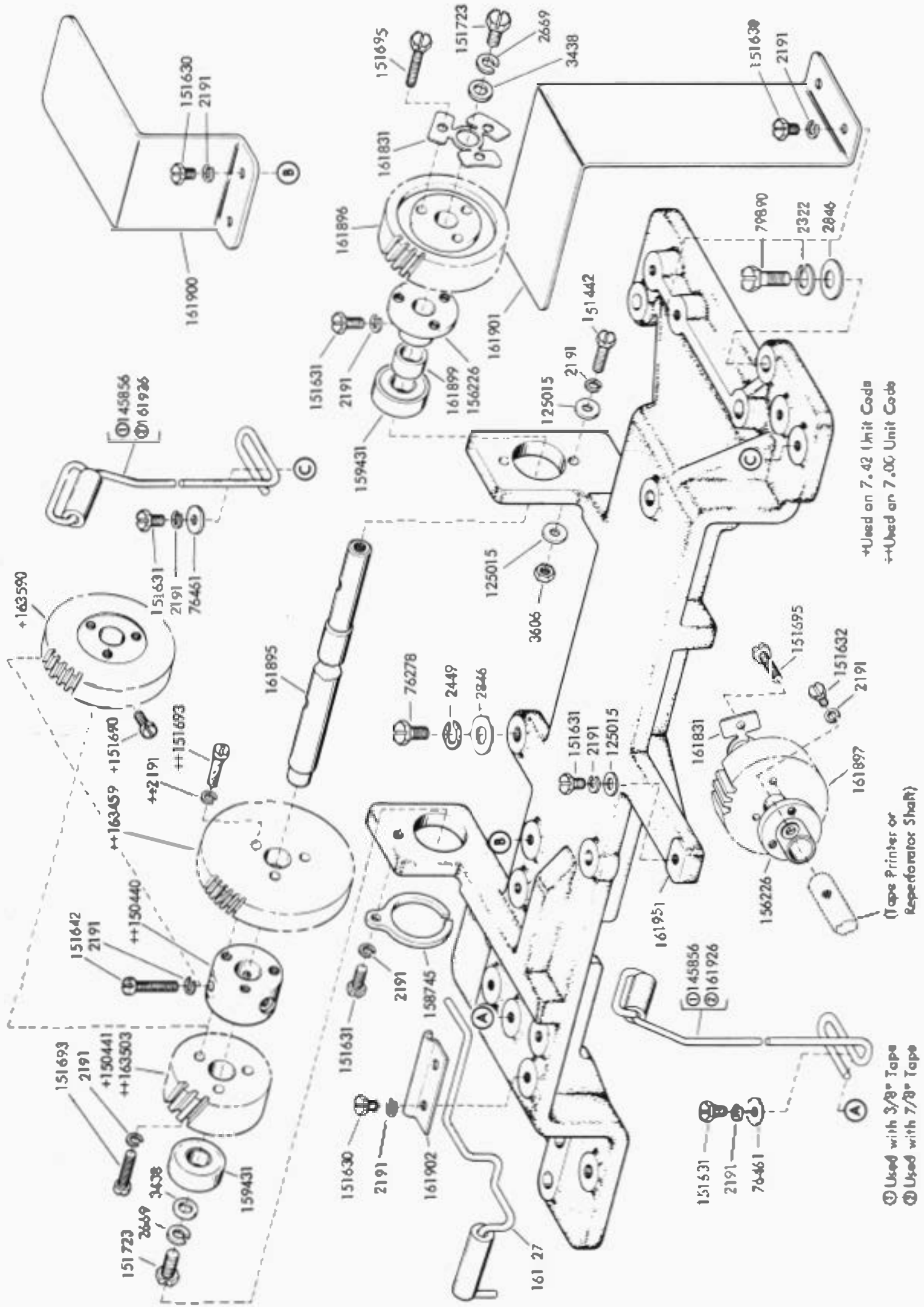


FIGURE 2. ELECTRICAL COMPONENTS



⊕ Used on 7.42 Unit Code  
 ⊕ Used on 7.00 Unit Code

⊕ Used with 3/8" Tape  
 ⊕ Used with 7/8" Tape

⊕ Used with 3/8" Tape  
 ⊕ Used with 7/8" Tape

FIGURE 3. CASTING

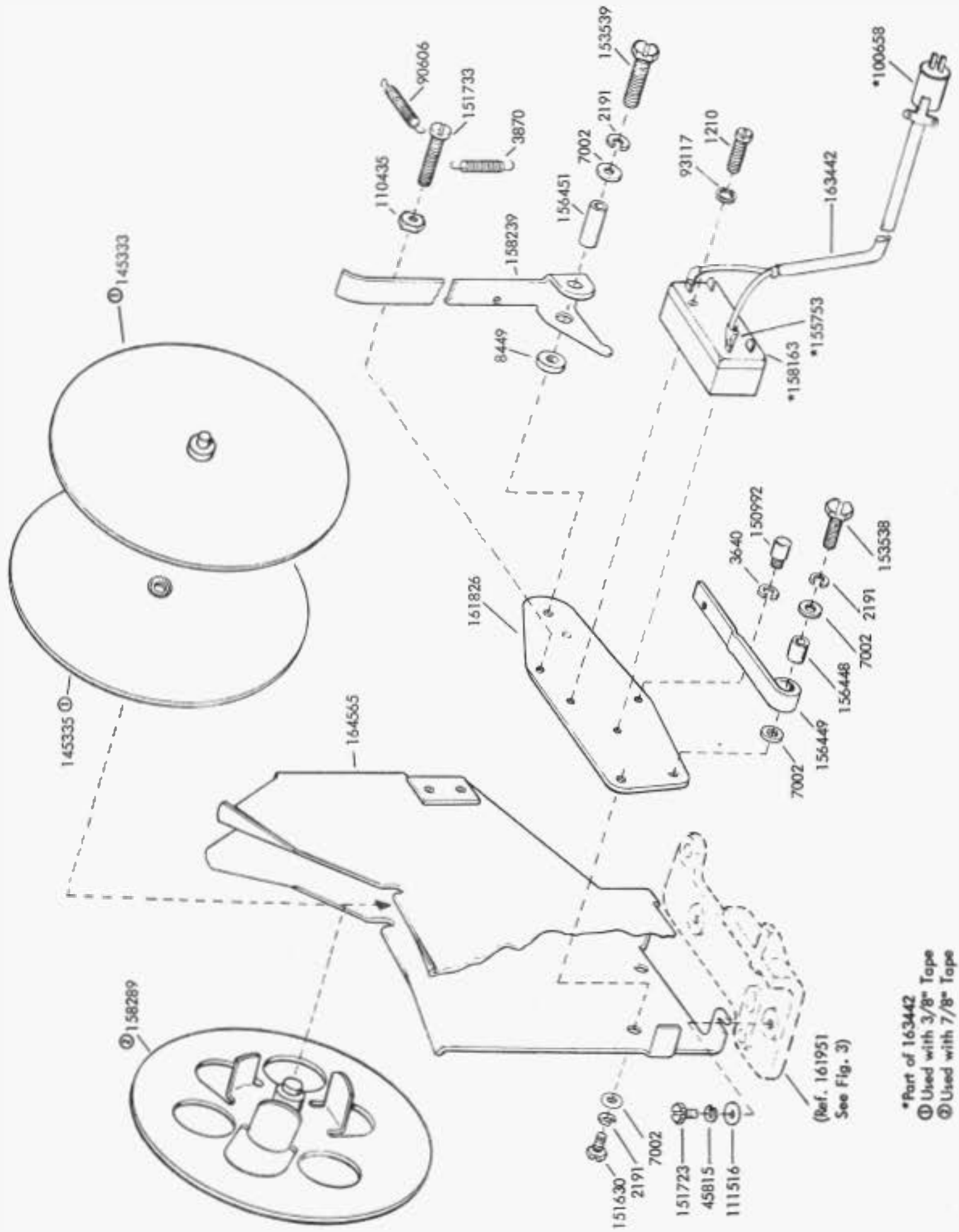


FIGURE 4. TAPE CONTAINER

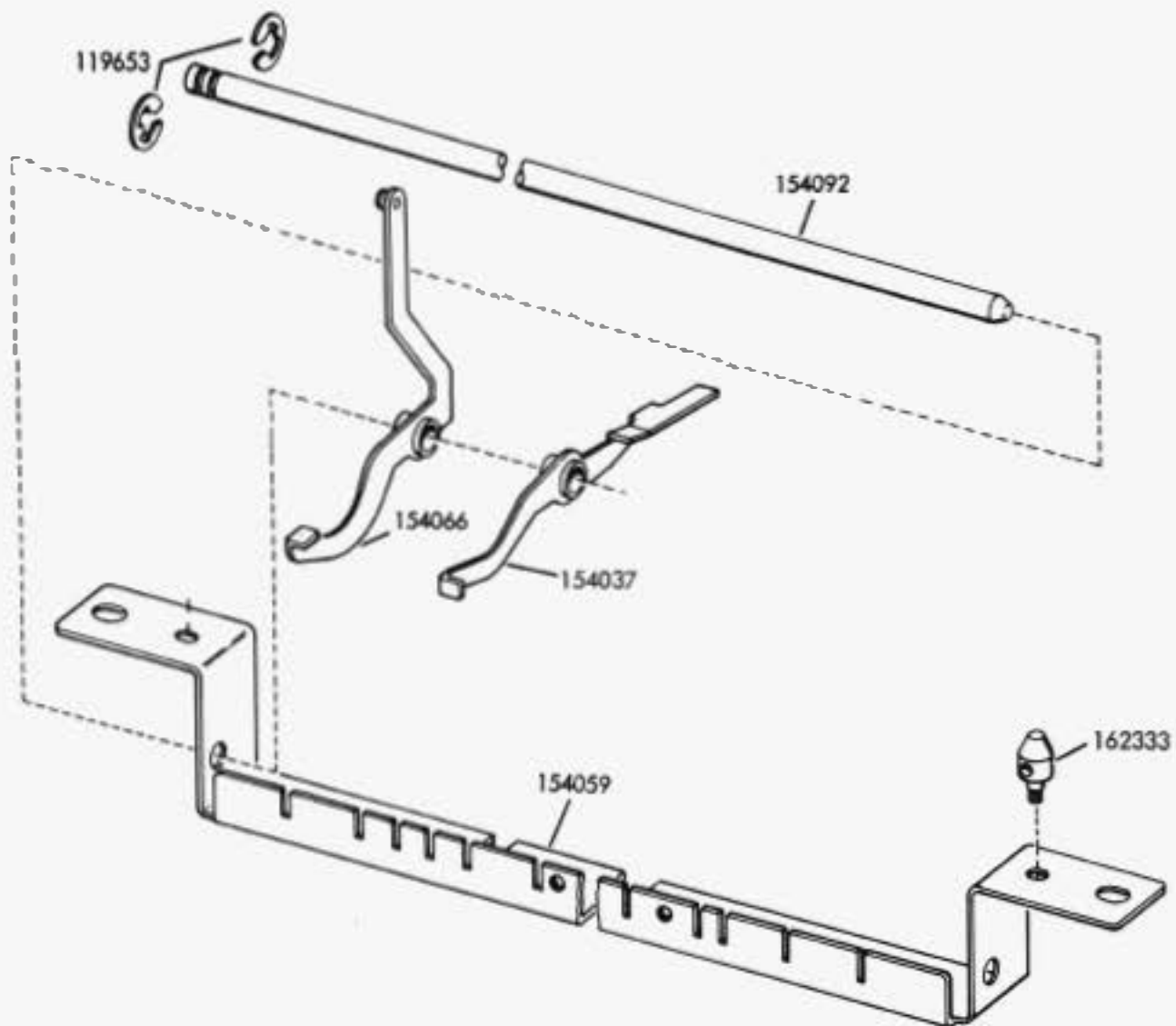
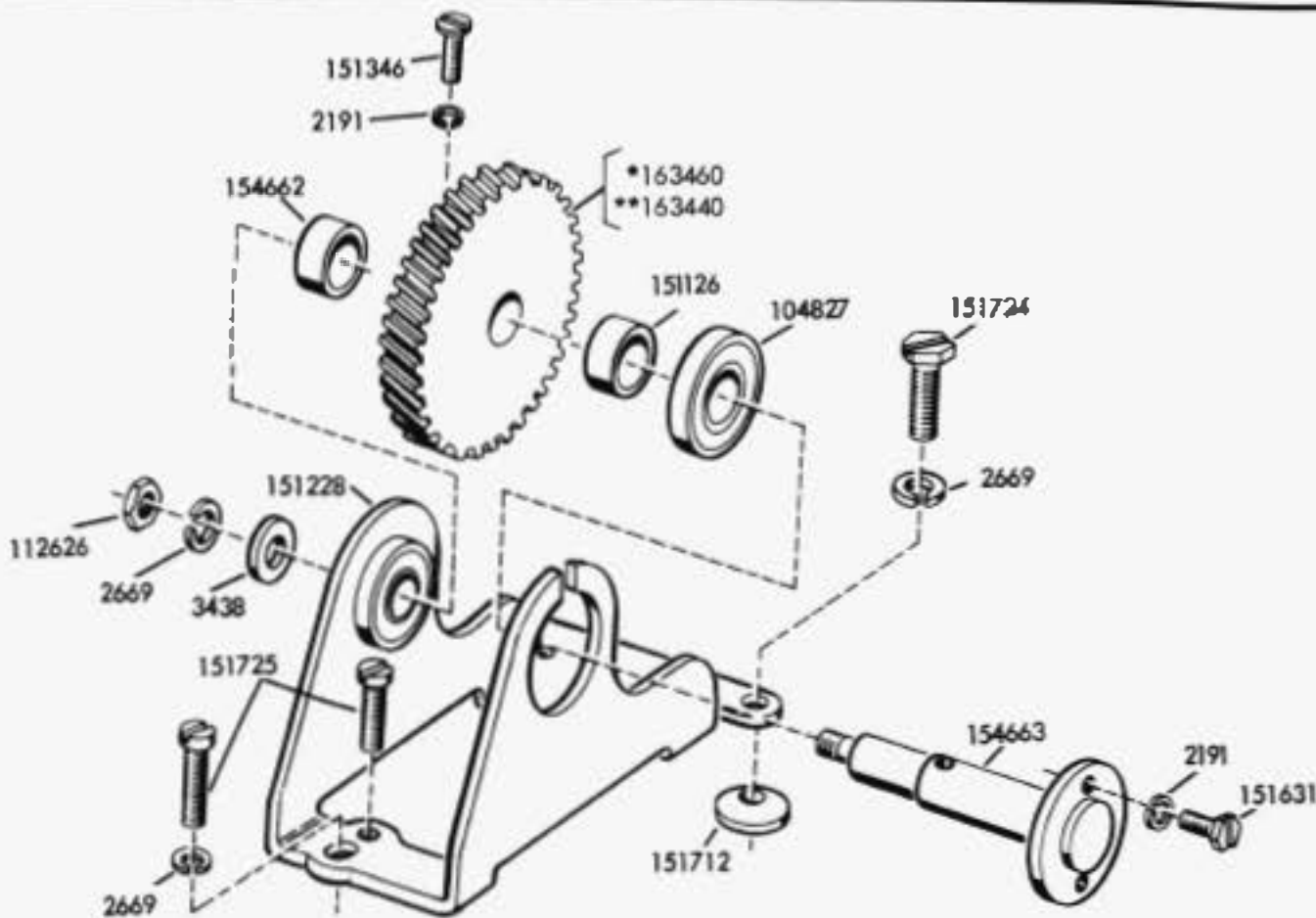


FIGURE 5. FUNCTION BAIL MECHANISM



\*Peculiar to 7.00 Unit Code  
 \*\*Peculiar to 7.42 Unit Code

FIGURE 6. INTERMEDIATE GEAR MECHANISM

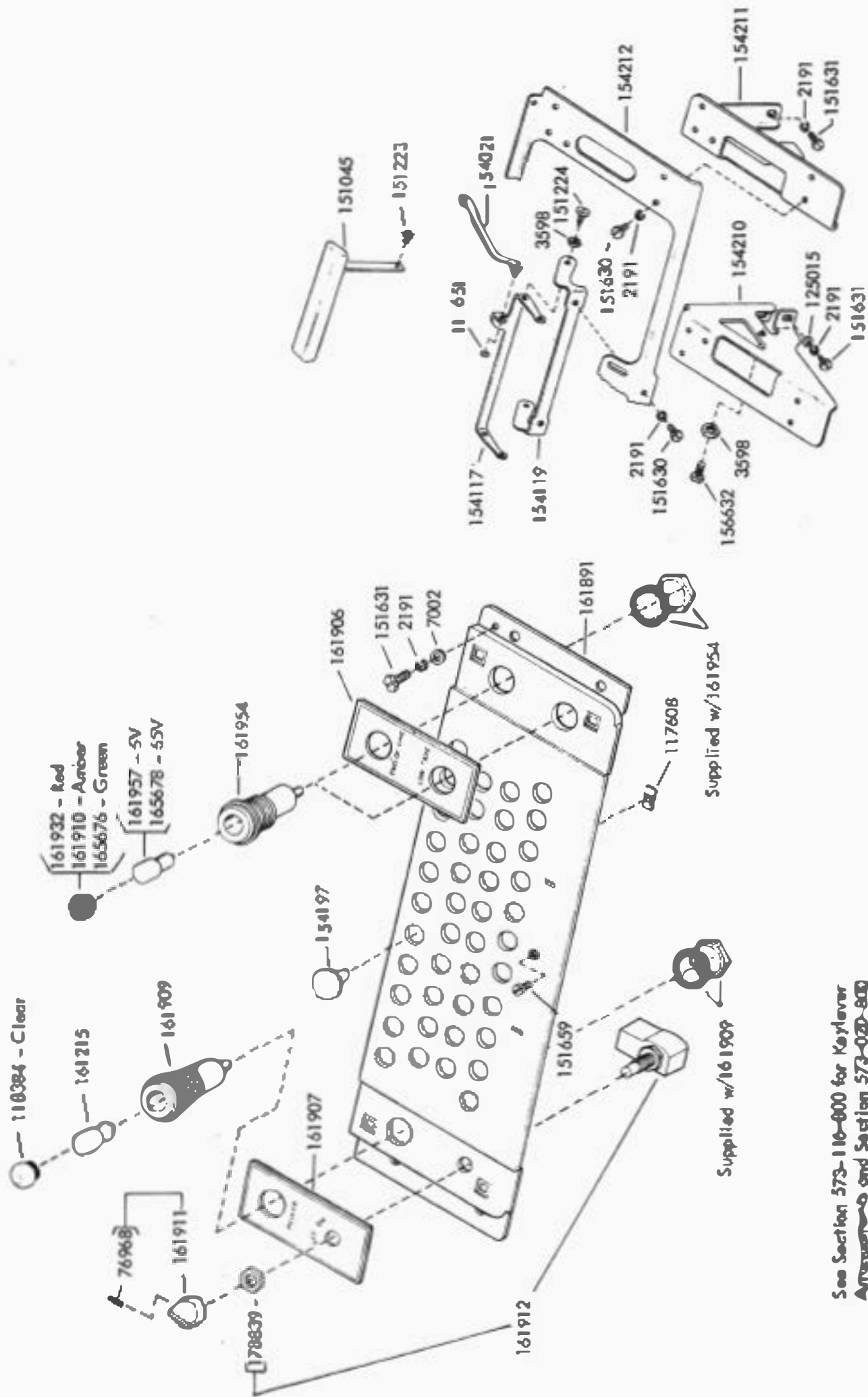


FIGURE 7. KEYBOARD

See Section 573-116-800 for Keyboard Assembly and Section 573-020-800 for Keyboard Assemblies

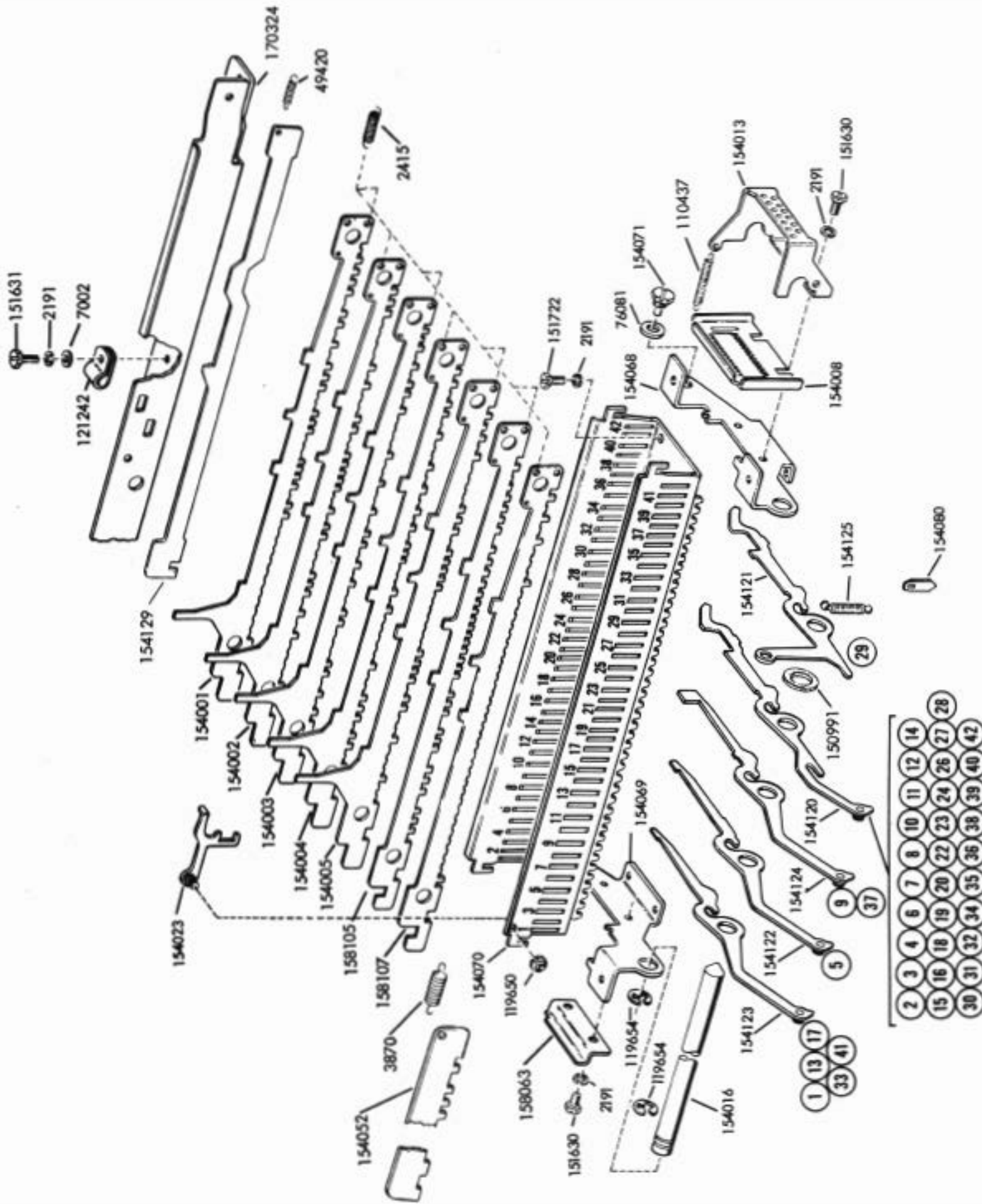


FIGURE B. CODE BAR MECHANISM



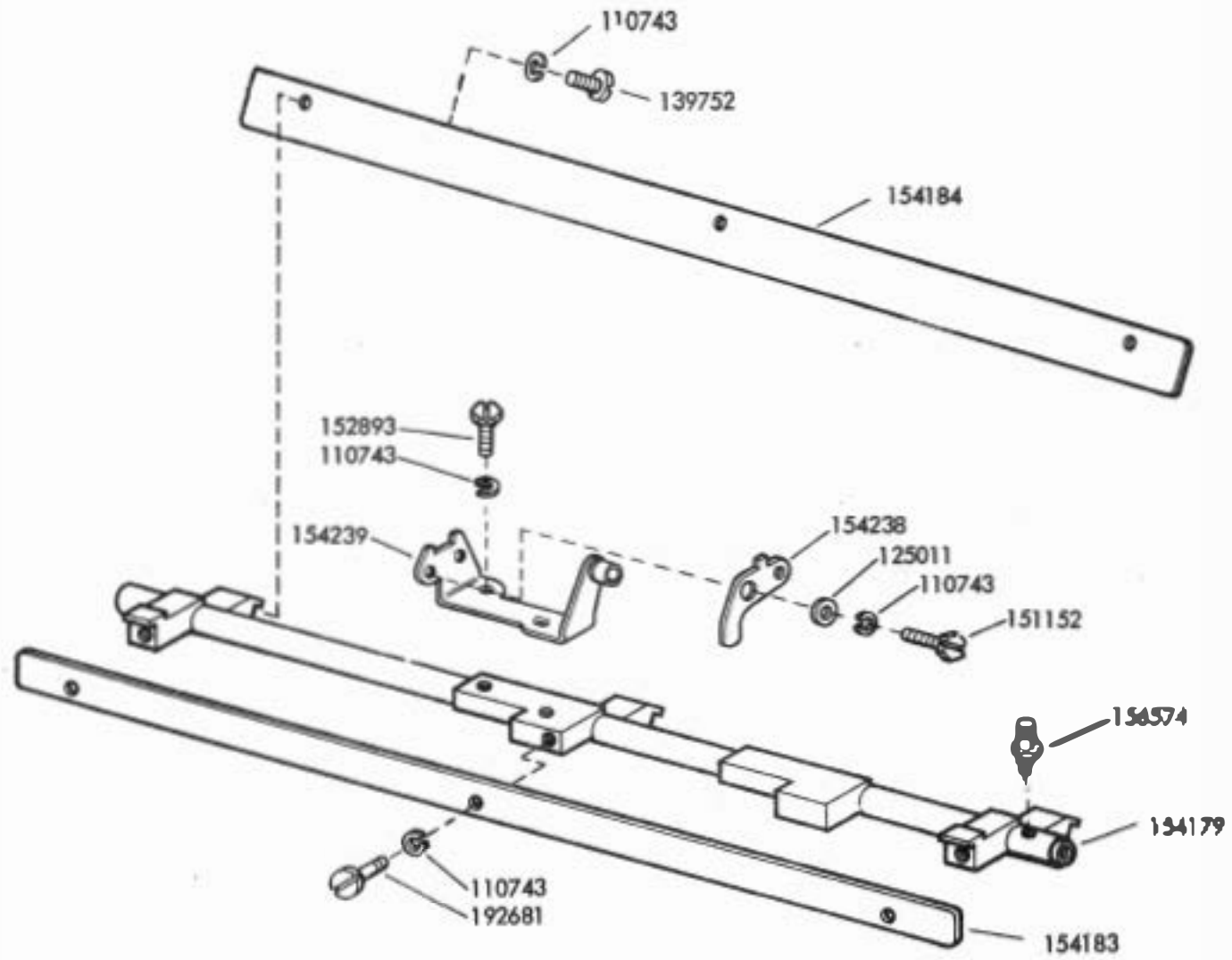
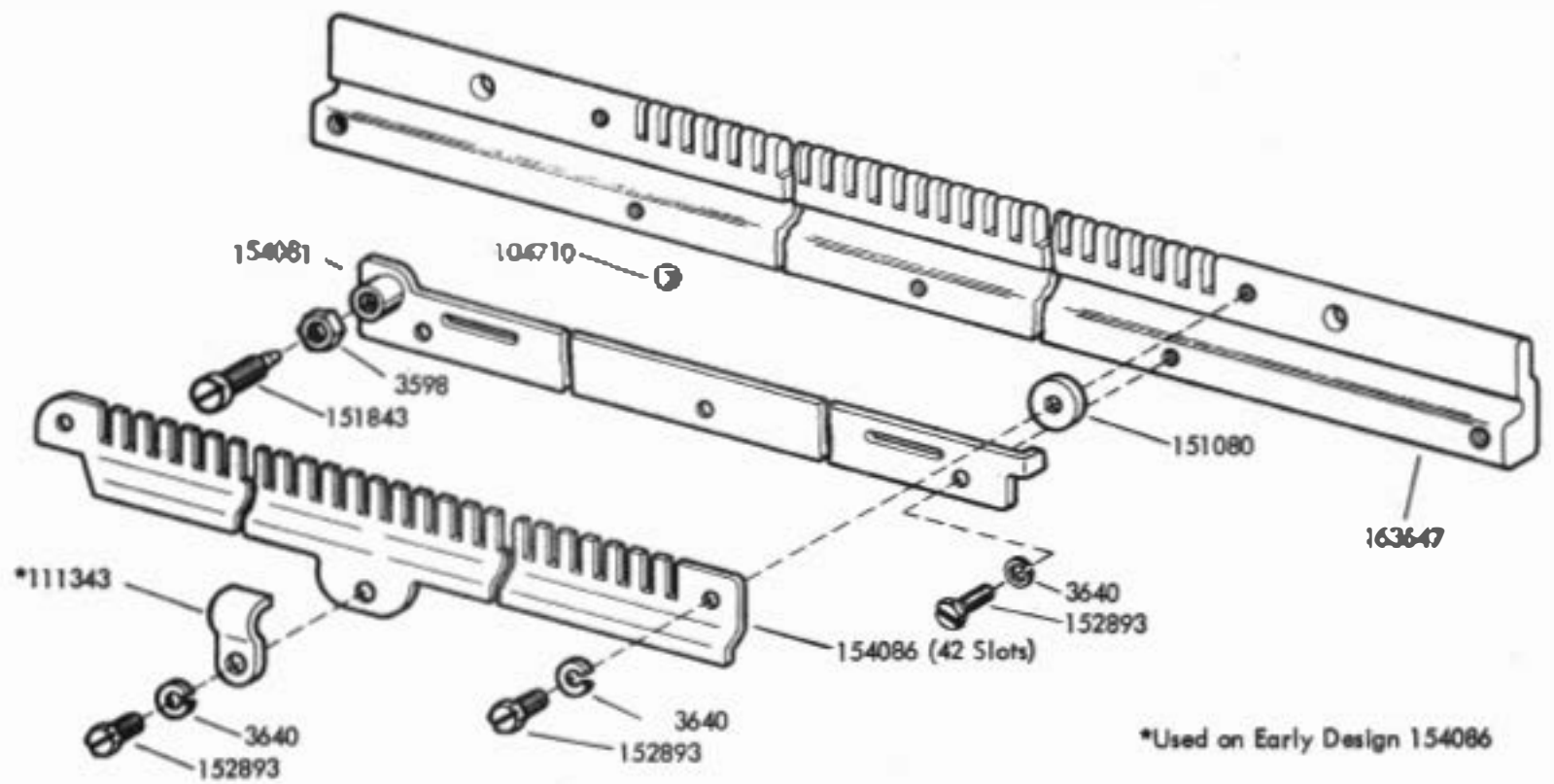
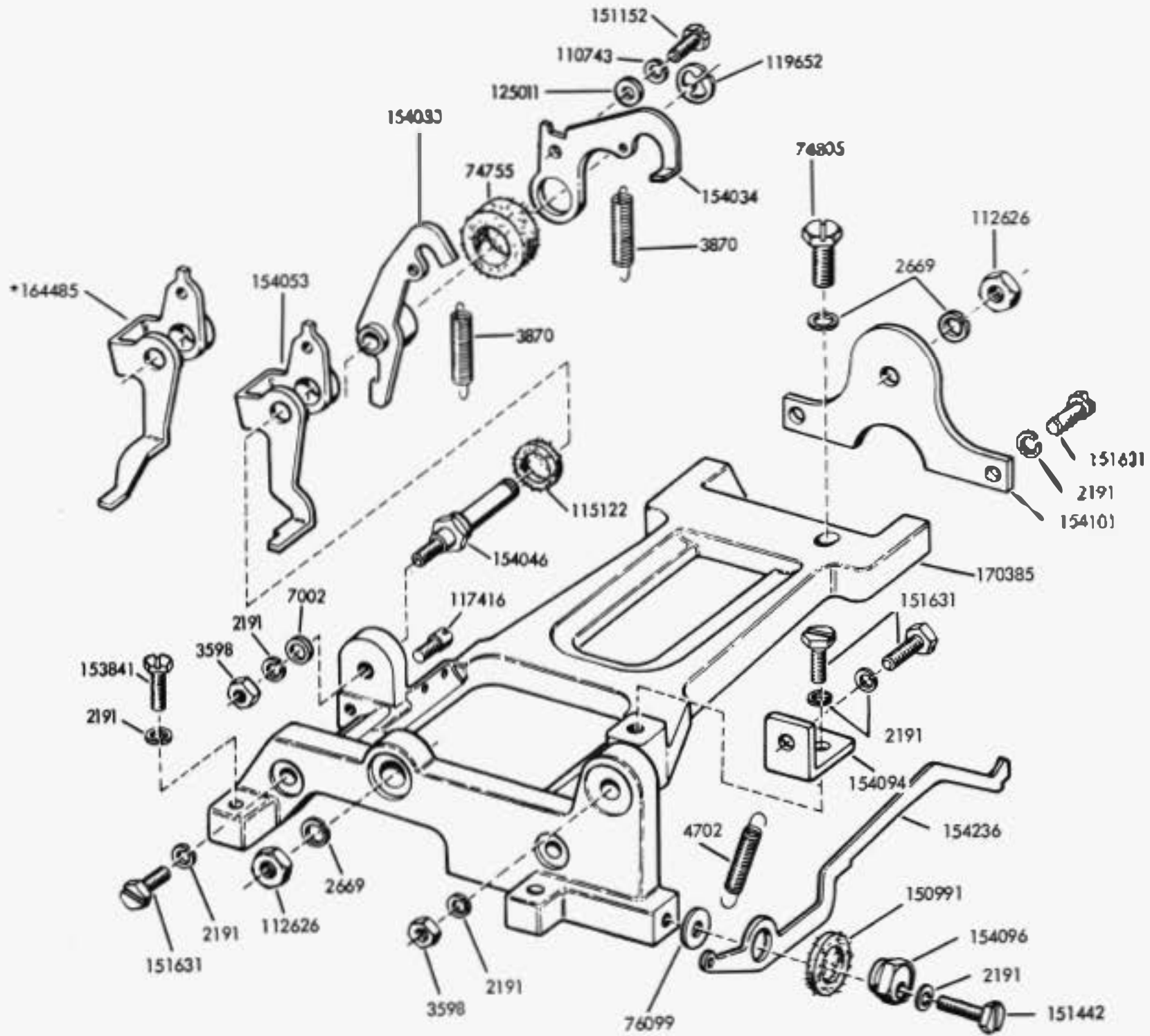


FIGURE 9. UNIVERSAL BAIL MECHANISM



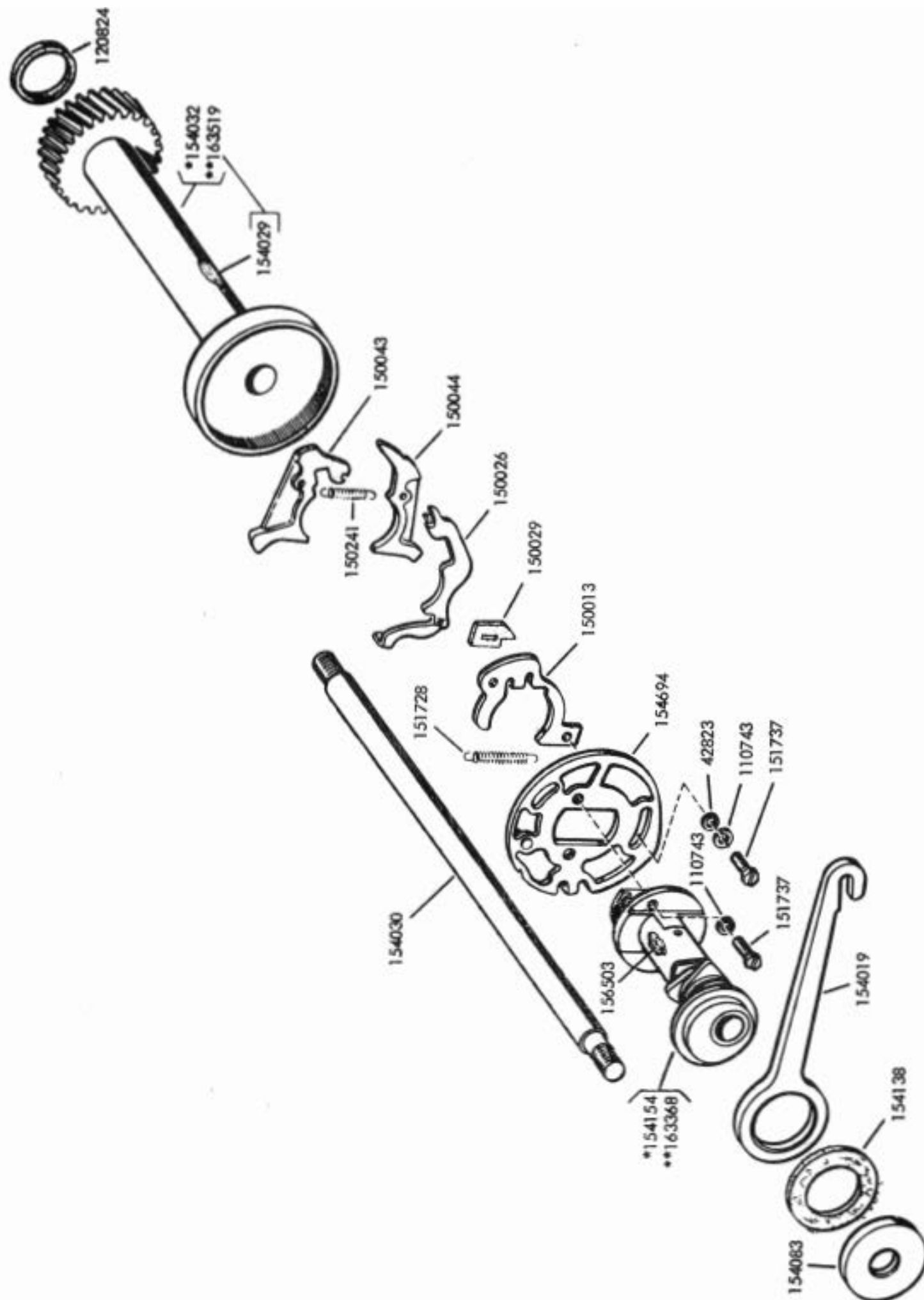
\*Used on Early Design 154086

FIGURE 10. BAIL LOCK MECHANISM



\*Peculiar to Units Equipped with Synchronous Puled Transmission

FIGURE 11. SIGNAL GENERATOR FRAME MECHANISM



\*Peculiar to 7.42 Unit Code  
 \*\*Peculiar to 7.00 Unit Code

FIGURE 12. SIGNAL GENERATOR SHAFT MECHANISM

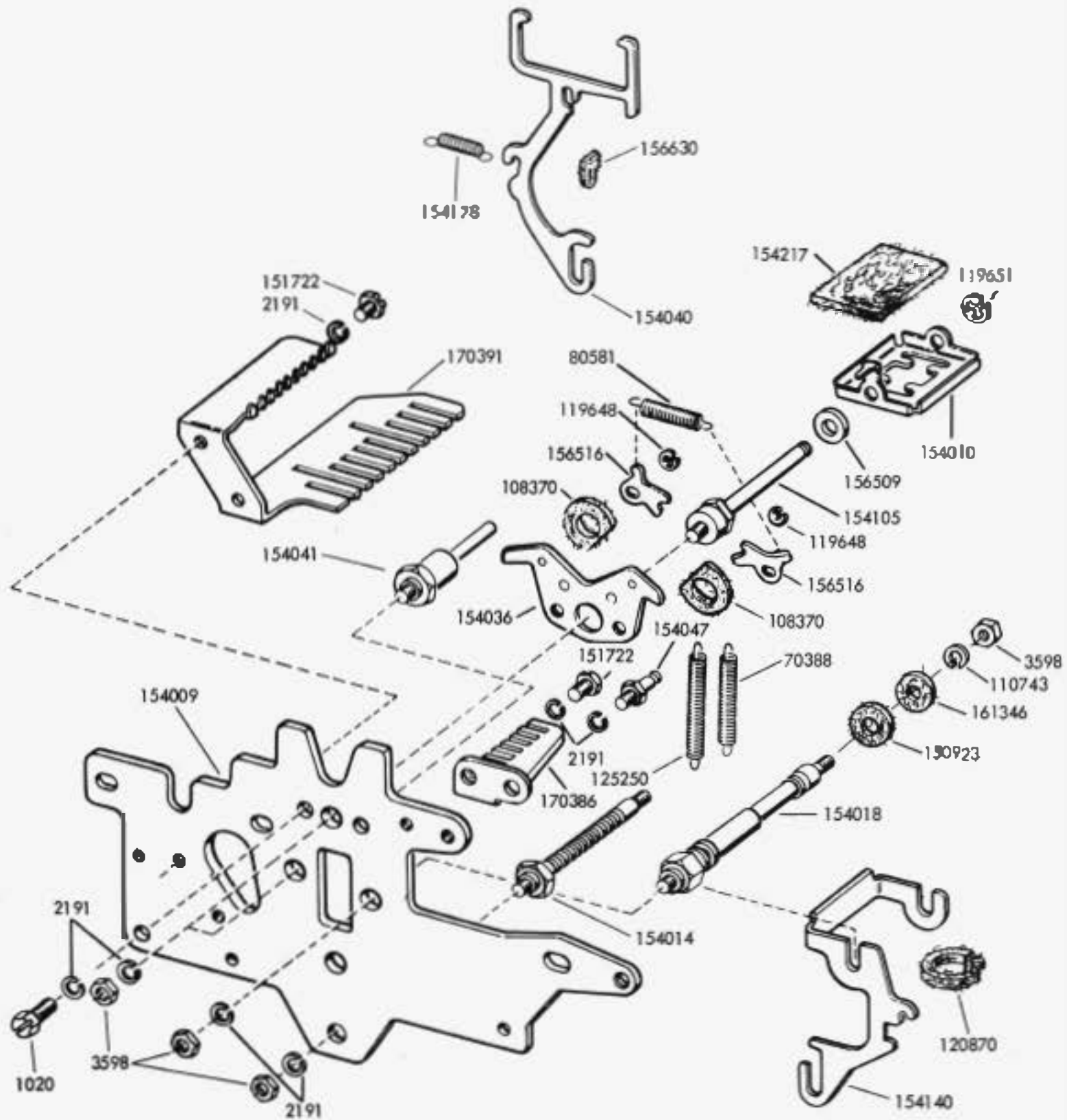
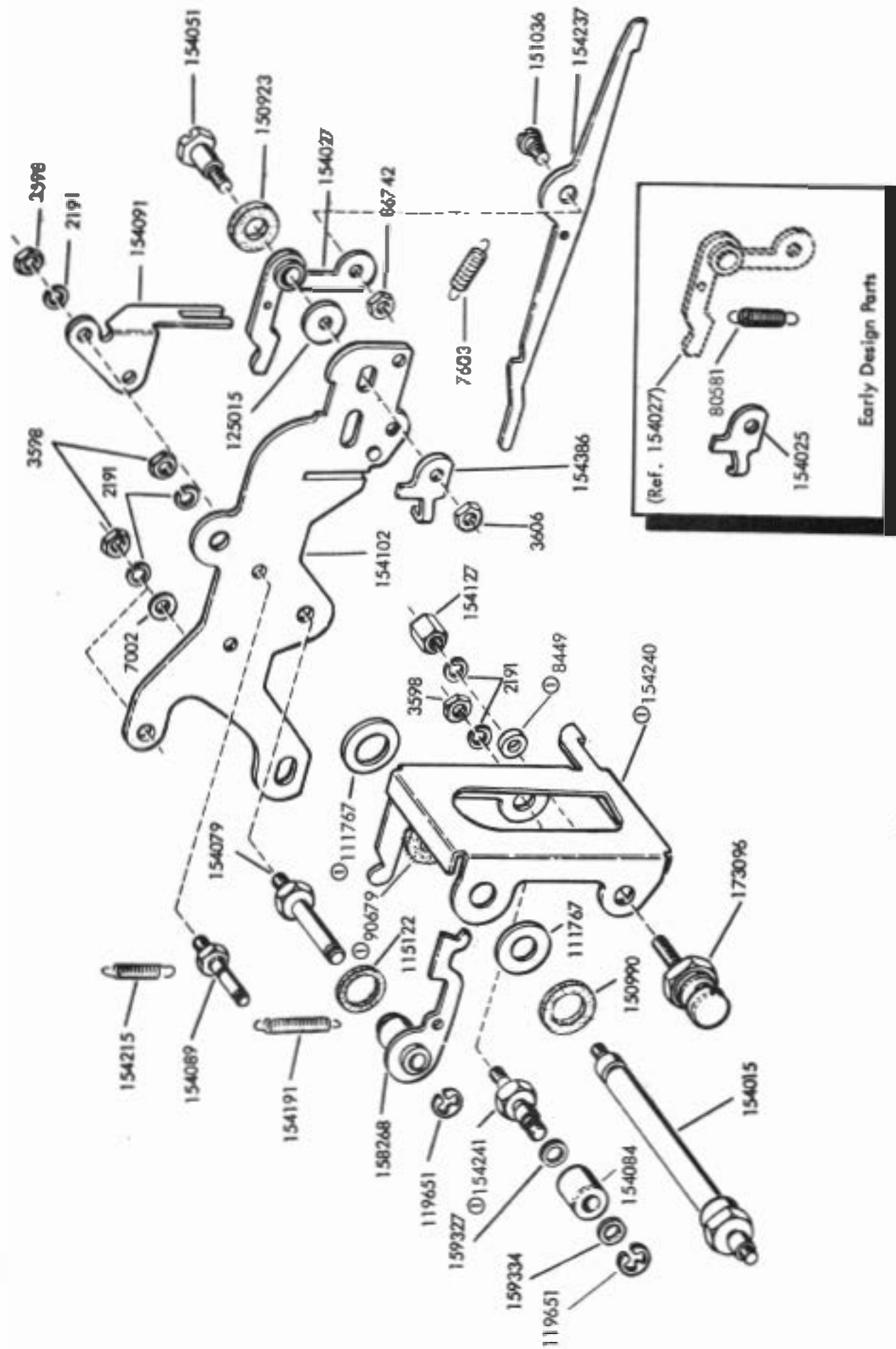
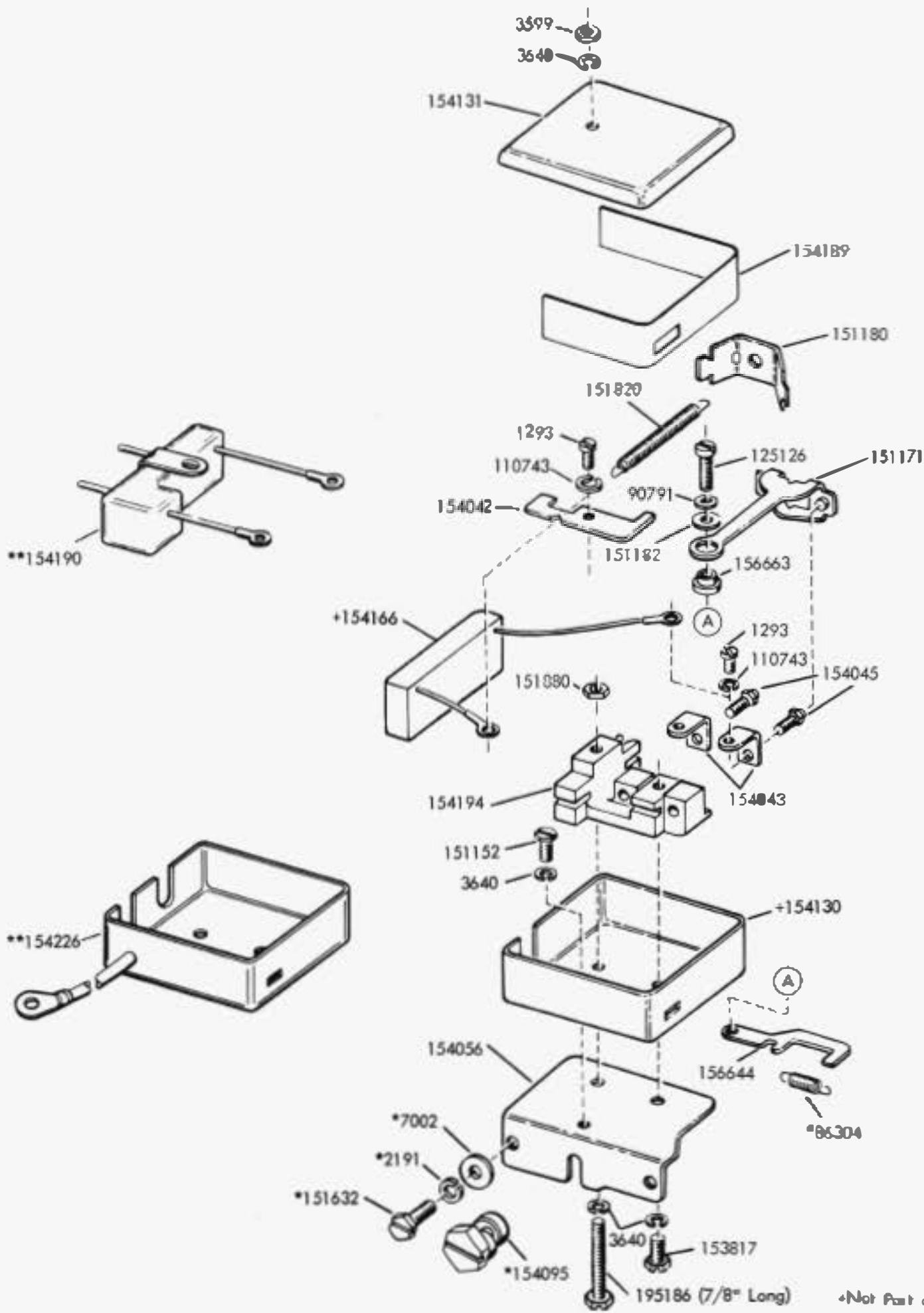


FIGURE 13. SIGNAL GENERATOR FRONT PLATE MECHANISM



① 154350 Modification Kit

FIGURE 14. SIGNAL GENERATOR REAR PLATE MECHANISM



\*Not Part of Contact Box Assemblies  
 \*\*174491 Modification Kit. Also,  
 Peculiar to 154225 (RF Suppression).  
 -Peculiar to 154165 (Arc Suppression).

FIGURE 15. 154165 AND 154225 SIGNAL GENERATOR CONTACT BOX ASSEMBLIES

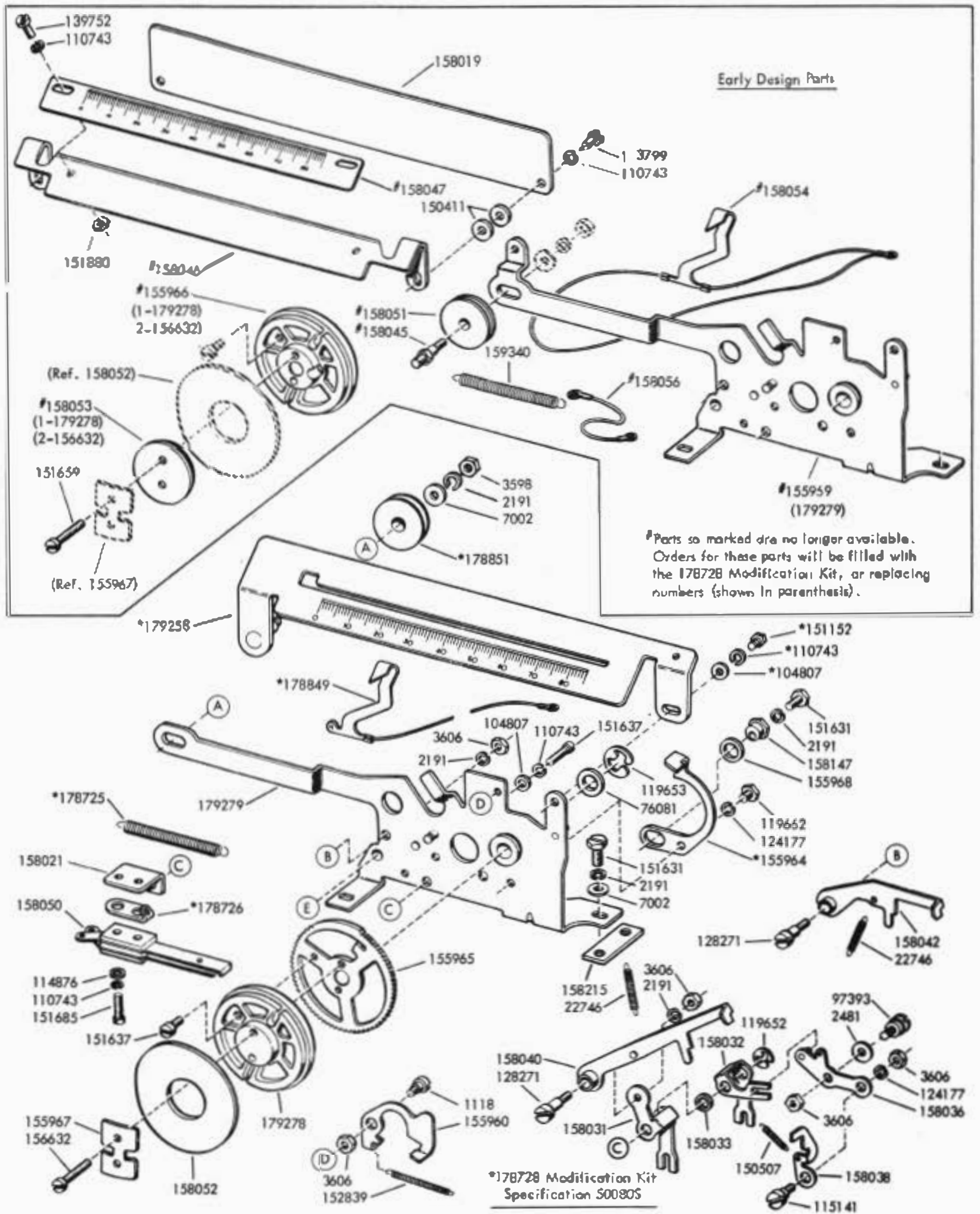
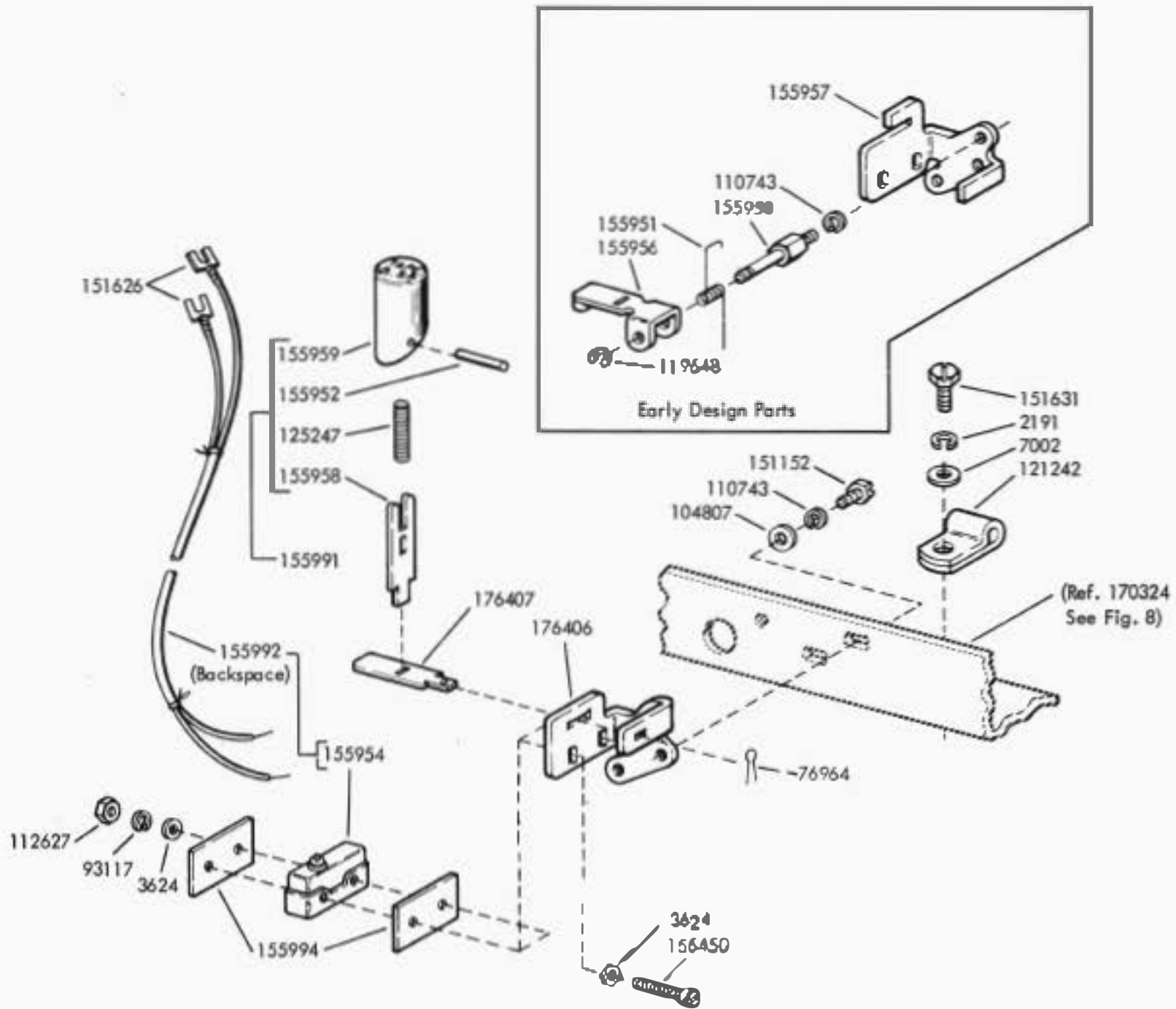
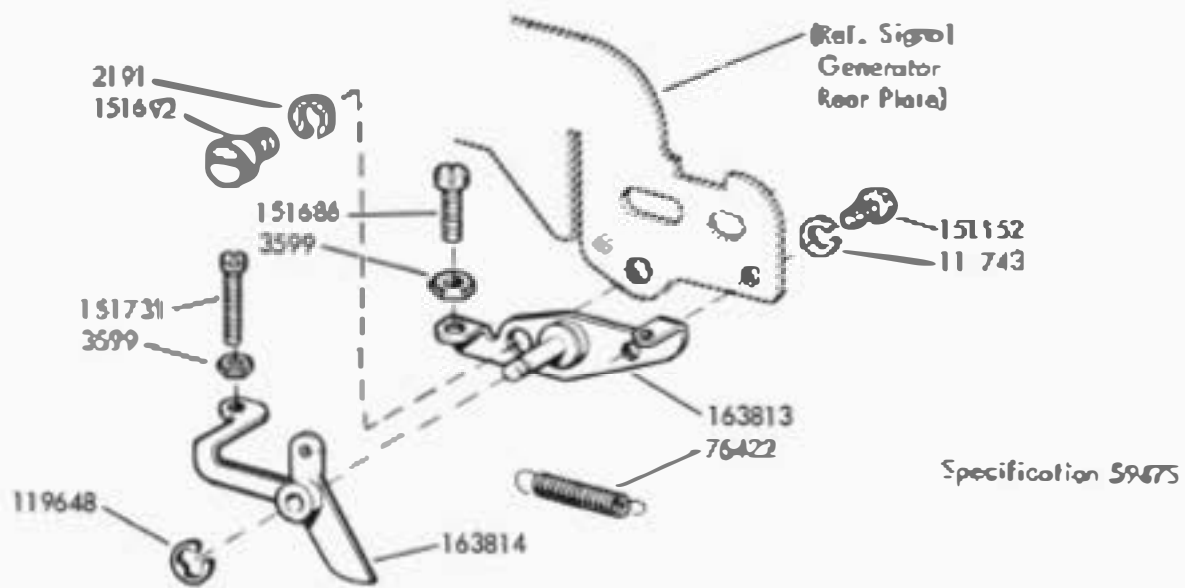


FIGURE 16. 155990 CHARACTER COUNTER MECHANISM



Specification 500885

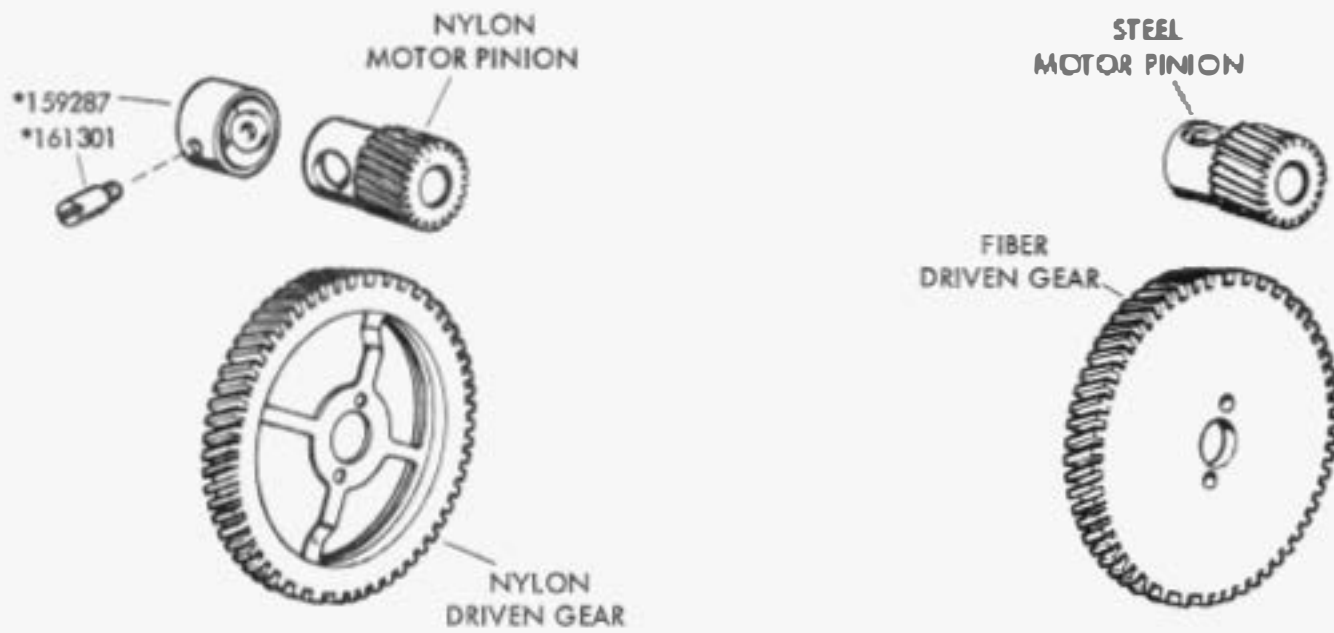
FIGURE 17. 176405 MODIFICATION KIT TO ADD TAPE BACKSPACE BUTTON



Specification 59875

FIGURE 18. 163775 MODIFICATION KIT TO PROVIDE REPEAT ON SPACE MECHANISM





\*Supplied with nylon gear sets (Except 173795)

GEAR SETS FOR SEND-RECEIVE KEYBOARD BASE								
Set Number	Pinion	Teeth	Driven Gear	Teeth	SPEED			
					7.00 Unit Code		7.42 Unit Code	
					WPM	Baud	WPM	Baud
151060 161293	151130 (S) 159278 (N)	14	151131 (F) 159279 (N)	96	—	—	60	45.5
152766	152765 (S)	13	152764 (F)	81	—	—	67	50
151075 161294	151132 (S) 159281 (N)	17	151133 (F) 159282 (N)	93	—	—	75	50
151100 161295	151134 (S) 159284 (N)	20	151135 (F) 159285 (N)	84	—	—	100	74.2
163504	163461 (N)	18	163462 (N)	117	71	50	—	—
163505	163463 (N)	24	163464 (N)	104	107	75	—	—
173795	173794 (N)	14	173793 (N)	100	65	45.5	—	—

FIGURE 19. GEAR SETS

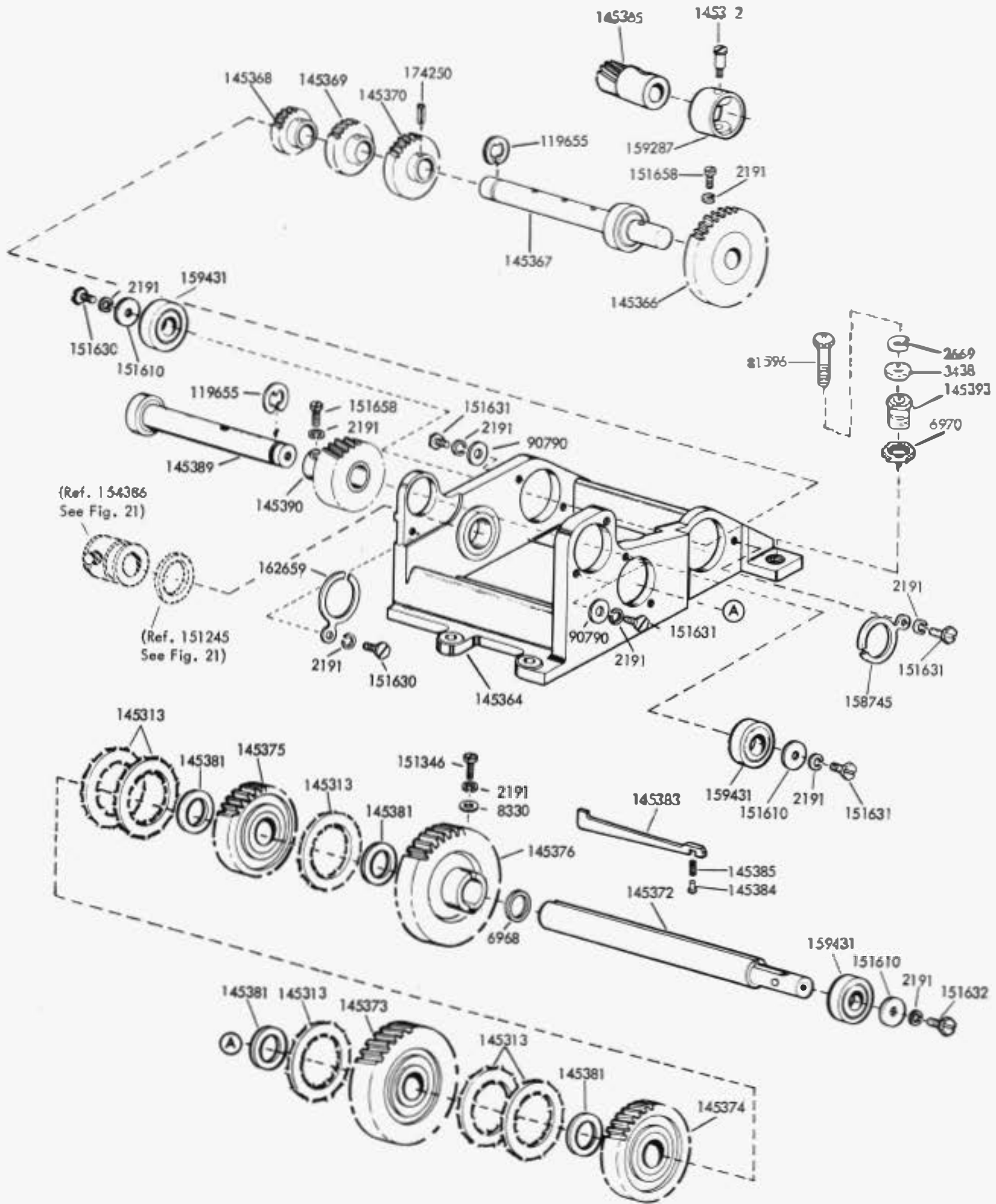


FIGURE 20. GEAR SHIFT MECHANISM FOR TAPE PRINTER KEYBOARD BASE

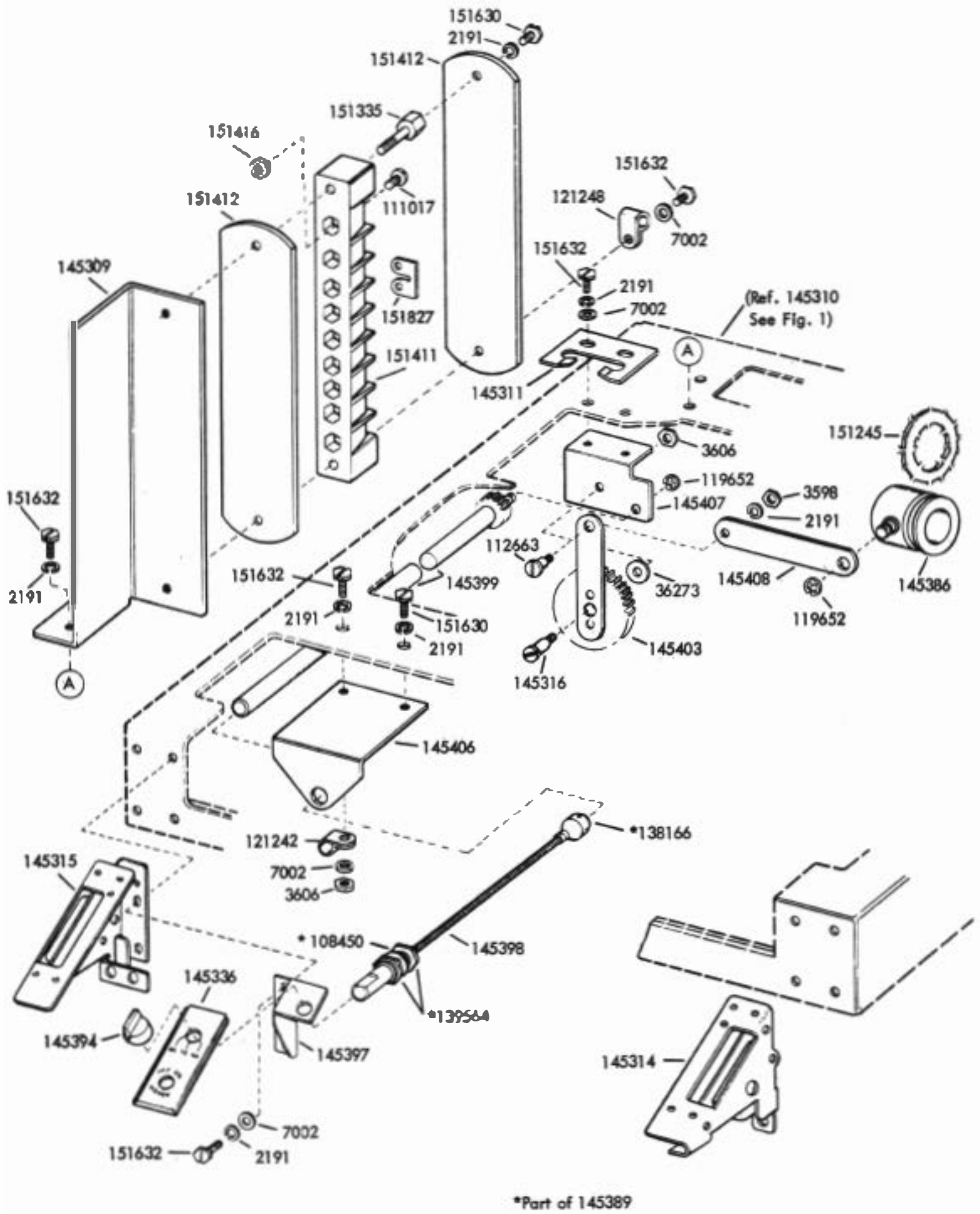


FIGURE 21. GEAR SHIFT MECHANISM FOR TAPE PRINTER KEYBOARD BASE

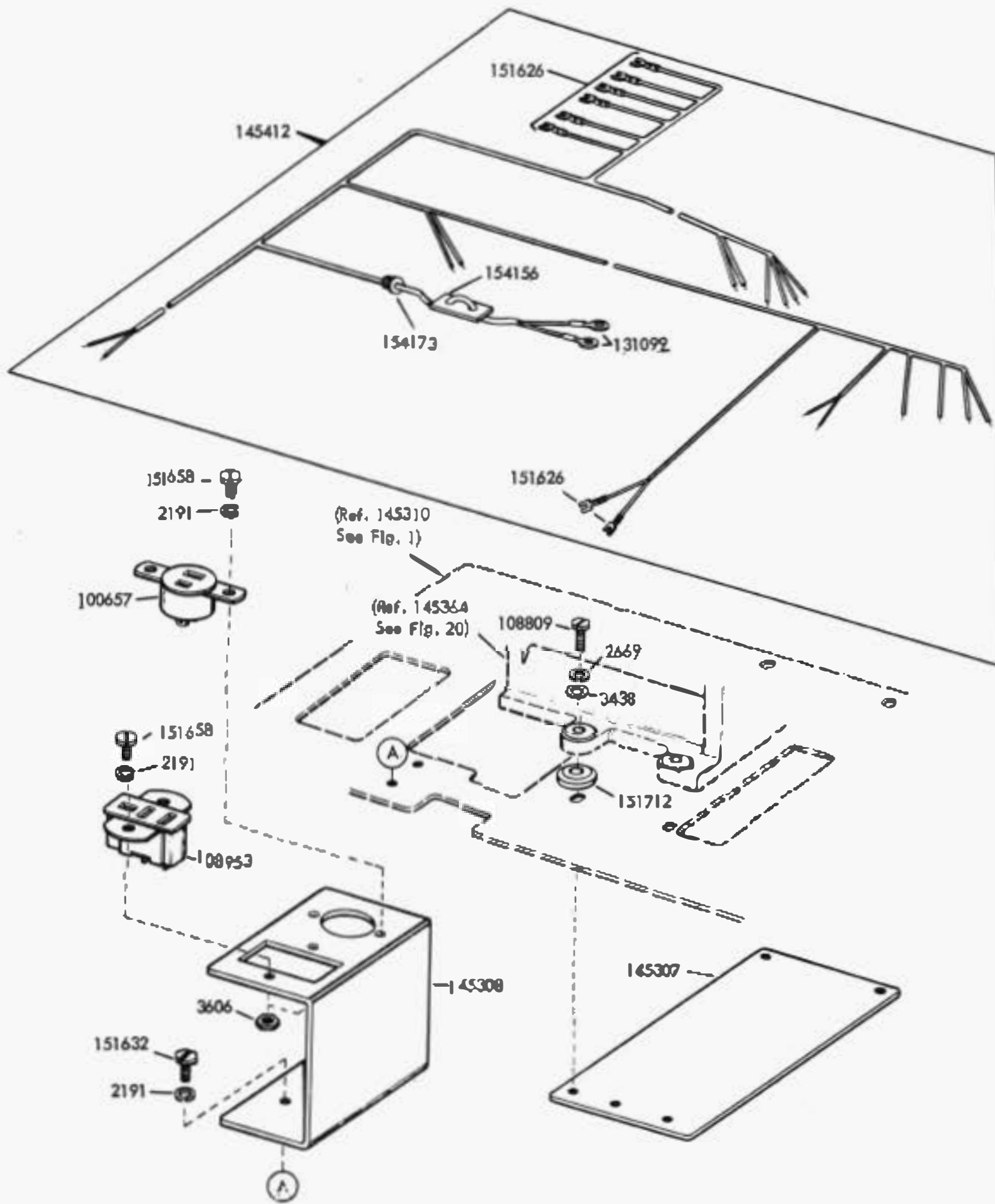


FIGURE 22. CONNECTORS AND CABLE

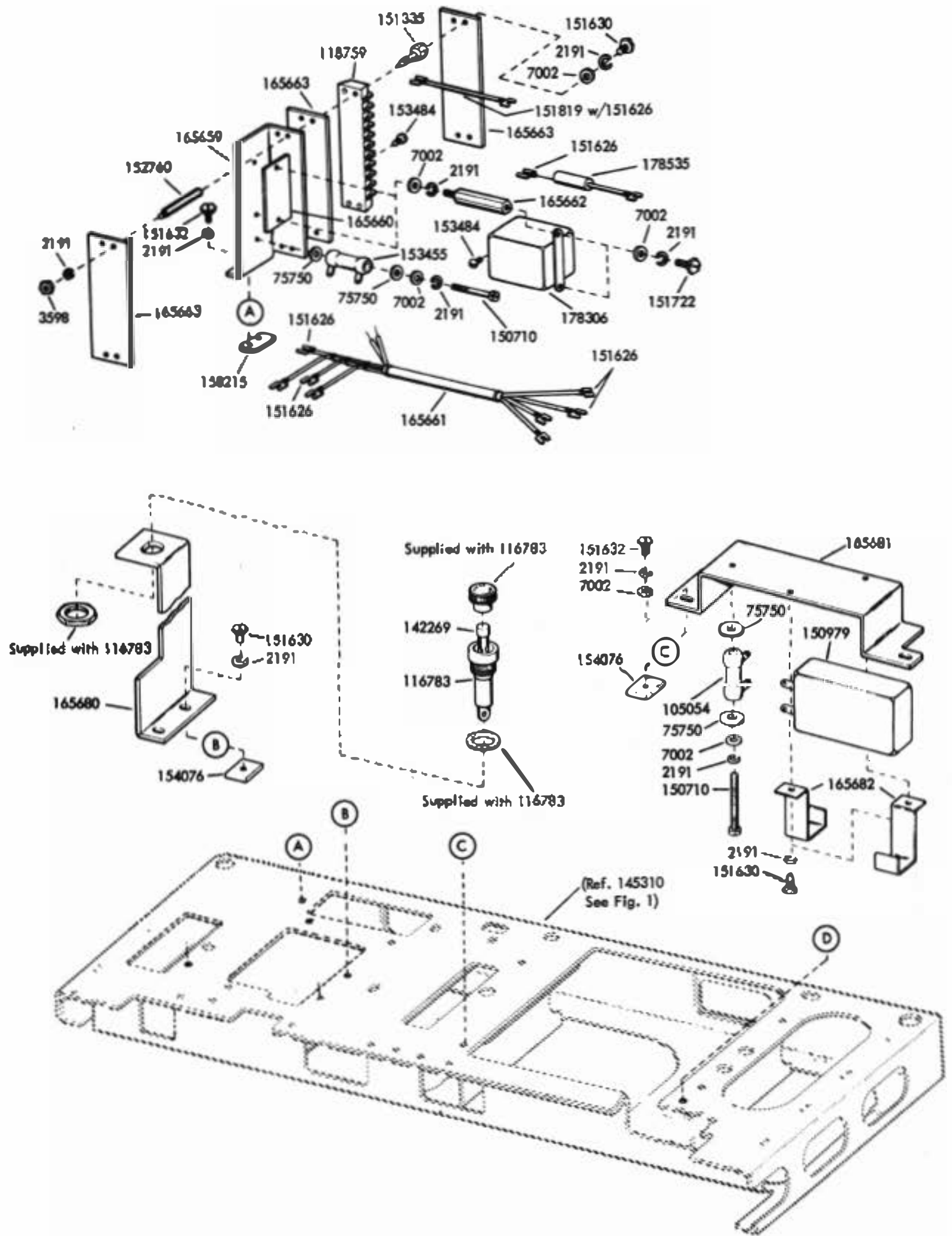


FIGURE 29. ELECTRICAL COMPONENTS FOR THE TAPE PRINTER KEYBOARD BASE

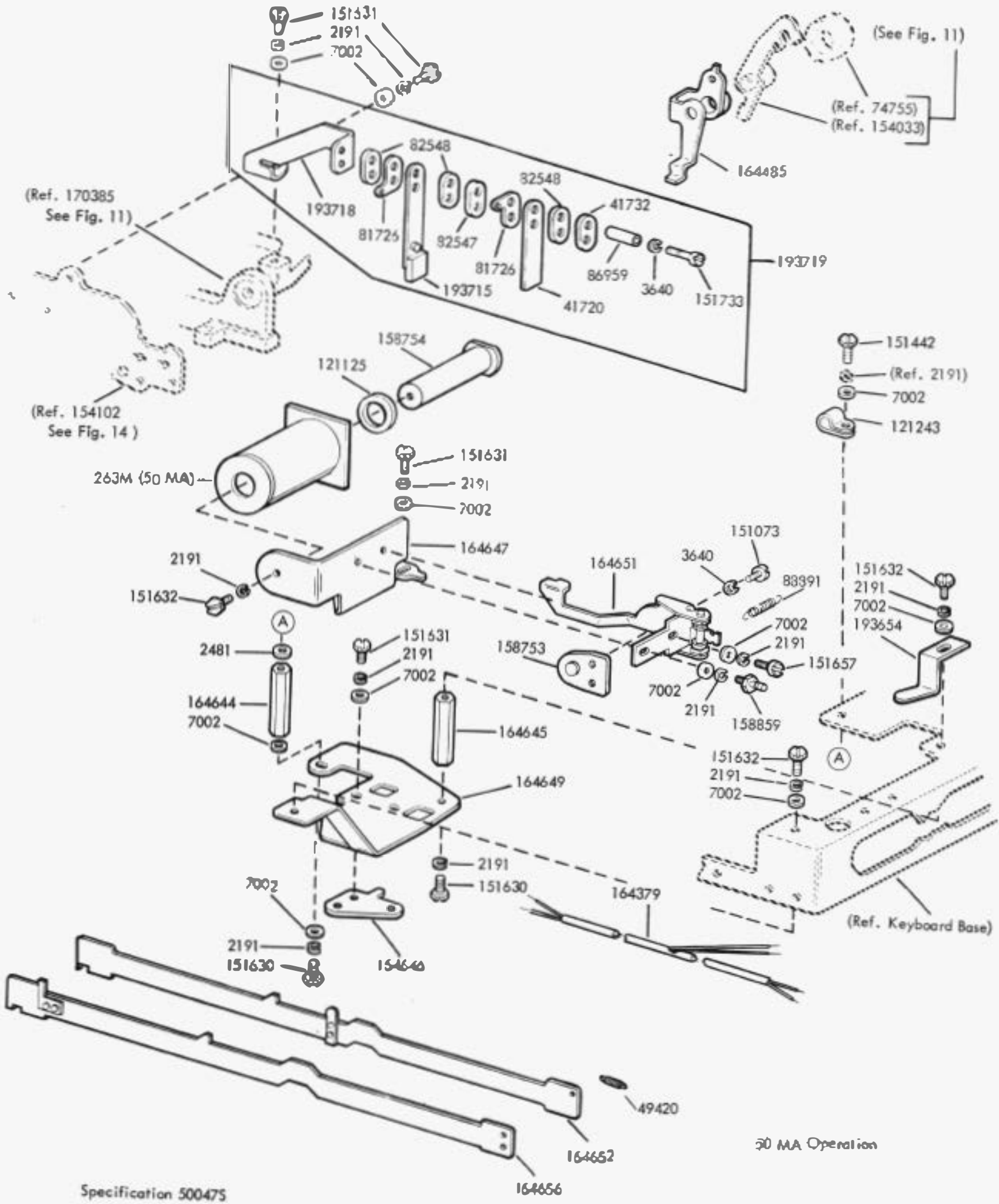


FIGURE 24. 193800 MODIFICATION KIT TO PROVIDE SYNCHRONOUS PULSED TRANSMISSION

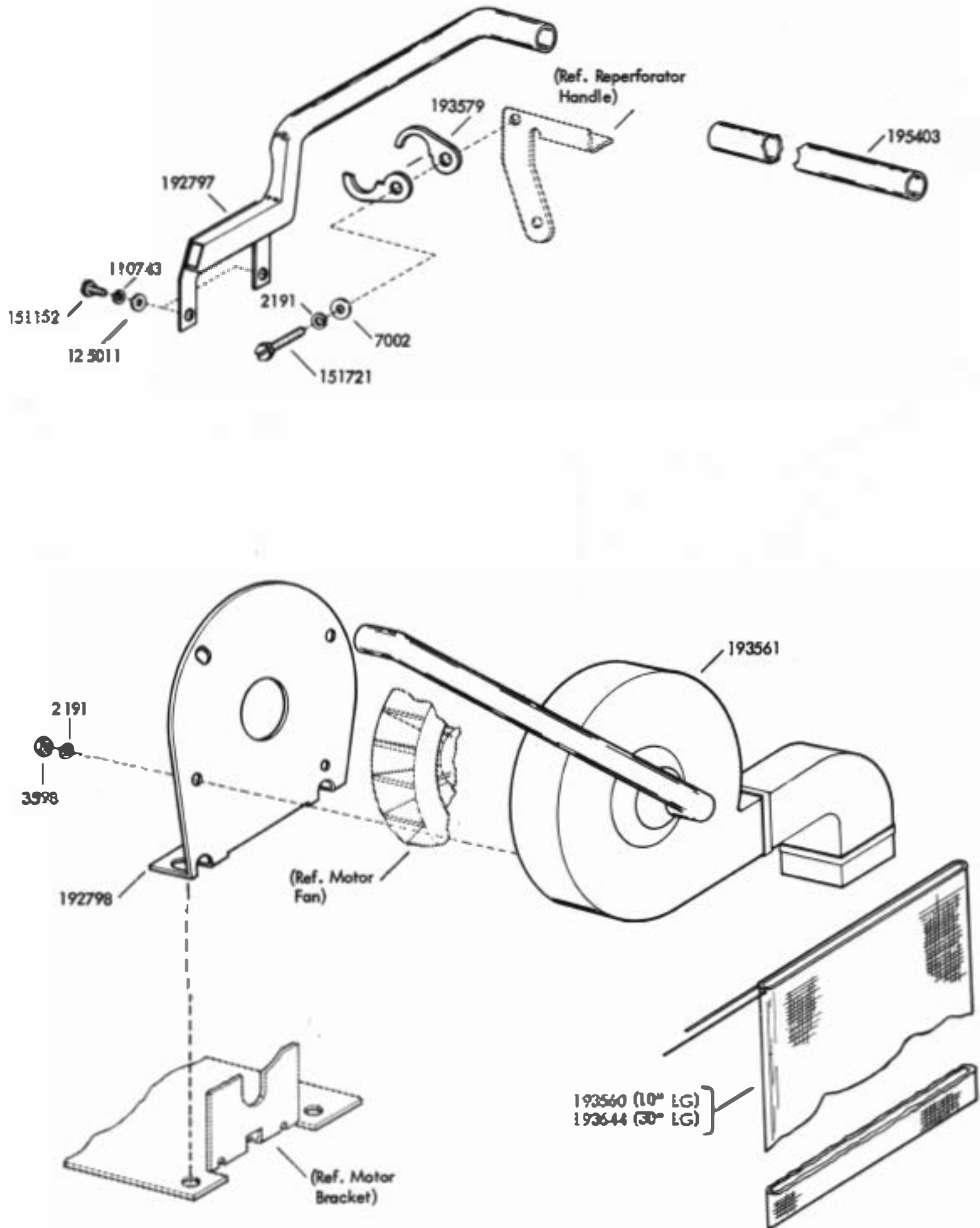
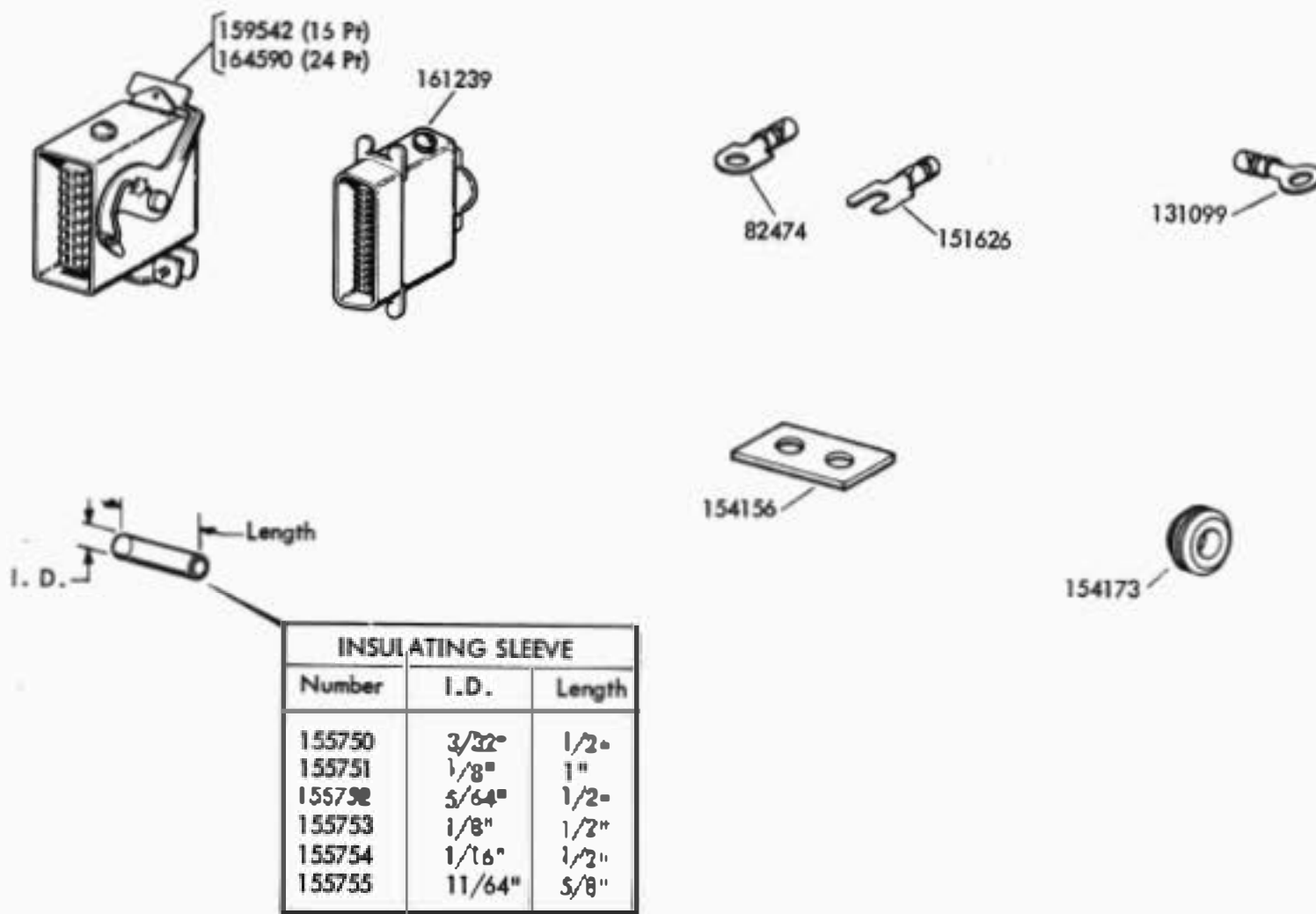


FIGURE 25. 192999 MODIFICATION KIT TO PROVIDE VACUUM CHAD REMOVAL FOR SEND-RECEIVE TYPING REPERFORATOR SET



Unit	Cable Assembly
LTPK1	- 145412, 165656
LTPK2	- 145412, 165679
LTPK3	- 165656
LTRK1	- 161878, 161892
LTRK2	- 161892, 173396
LTRK3	- 172721, 173922

FIGURE 26. CABLES



NUMERICAL INDEX

Part Number	Description and Page Number	Part Number	Description and Page Number	Part Number	Description and Page Number
263M	Coil, Magnet 22	100658	Connector, Plug (2 Pt) 5	145313	Washer, Felt 18
1020	Screw (6-40 x 1/4 Hex) 12	104710	Ball, Bearing 9	145314	Bracket, Right 19
1118	Screw, Shoulder (6-40) 15	104807	Washer, Flat 15, 16	145315	Bracket, Left 19
1210	Screw (2-56 x 5/8 Fil) 3, 5	104827	Bearing, Ball 6	145316	Screw, Shoulder (6-40) 19
1293	Screw (4-40 x 1/8 Fil) 14	104991	Screw (2-56 x 1/2 Fil) 16	145333	Disk W/Hub 5
2191	Washer, Lock 2, 3, 4, 5, 6, 7, 8, 10, 12, 13, 14, 15, 16, 18, 19, 20, 21, 22, 23	105054	Resistor (5 Ohm) 21	145335	Disk W/Knob 5
2322	Washer, Lock 4	108370	Washer, Felt 12	145336	Plate 19
2415	Spring 8	108430	Washer, Lock 19	145364	Bracket W/Bearing 18
2449	Washer, Lock 4	108809	Screw (10-32 x 27/32 Hex) 20	145365	Pinion (20 T) 18
2481	Washer, Flat 15, 22	108938	Connector, Receptacle (3 Pt) 3, 20	145366	Gear (56 T) 18
2669	Washer, Lock 2, 4, 6, 10, 18, 20	110435	Nut (4-40 Hex) 5	145367	Shaft, Drive 18
2846	Washer, Flat 4	110437	Spring 8	145368	Gear (27 T) 18
3438	Washer, Flat 2, 4, 6, 18, 20	110437	Washer, Lock 9, 10, 11, 12, 14, 15, 16, 23	145369	Gear (24 T) 18
3598	Nut (6-40 Hex) 2, 7, 9, 10, 12, 13, 15, 19, 21, 23	110743	Screw (6-40 x 5/16 Fil) 2, 3, 19	145370	Gear (24 T) 18
3999	Nut (4-40 Hex) 2, 14, 16	111017	Clamp 9	145372	Shaft 18
3606	Nut (6-40 Hex) 3, 4, 13, 15, 19, 20	111343	Washer, Flat 5	145373	Gear (66 T) 18
3624	Washer, Flat 16	111516	Washer, Flat 13	145374	Gear (47 T) 18
3640	Washer, Lock 2, 3, 9, 14, 22	111767	Nut (10-32 Hex) 6, 10	145375	Gear (63 T) 18
3870	Spring 5, 8, 10	112626	Nut (2-56 Hex) 16	145376	Gear (48 T) 18
4702	Spring 10	112627	Spring 2	145381	Washer, Thrust 18
6968	Washer, Flat 18	112630	Screw, Shoulder (6-40) 19	145383	Key 18
6970	Nut (3/8-32 Hex) 18	112663	Washer, Flat 15	145384	Pin, Guide 18
7002	Washer, Flat 2, 3, 5, 7, 8, 10, 13, 14, 15, 16, 19, 21, 22, 23	114876	Washer, Felt 10, 13	145385	Spring, Compression 18
7603	Spring 13	115122	Screw, Shoulder (6-40) 15	145386	Sleeve 19
8330	Washer, Flat 18	115141	Holder, Fuse 21	145389	Shaft, Idler 18, 19
8449	Spacer (.094") 5, 13	116783	Post 10	145390	Pinion (25 T) 18
22746	Spring 15	117416	Nut, Speed 7	145392	Post 18
36273	Washer, Flat 19	117608	Lens, Clear Indicator Light 7	145393	Bushing 18
41720	Spring Contact 22	118386	Block, Terminal 21	145394	Knob 19
41732	Plate, Clamp 22	118799	Ring, Retaining 12, 16	145397	Bracket 19
42823	Washer, Flat 11	119648	Ring, Retaining 8	145398	Shaft, Flexible 19
45815	Washer, Lock 5	119650	Ring, Retaining 2, 7, 12, 13	145399	Shaft W/Gear 19
49420	Spring 8, 22	119651	Ring, Retaining 10, 15, 19	145403	Gear W/Link (36 T) 19
70388	Spring 12	119 53	Ring, Retaining 6, 15	145406	Bracket, Front 19
74755	Washer, Felt 10	119 54	Ring, Retaining 8	145407	Bracket, Rear 19
74805	Screw (10-32 x 3/4 Hex) 10	119655	Ring, Retaining 18	145408	Link 19
75750	Washer, Insulating 21	119662	Screw (6-40 Spl) 15	145412	Cable Assembly 20, 24
76081	Washer, Flat 8, 15	120834	Washer, Felt 11	145855	Guide, Tape 4
76099	Washer, Flat 10	120870	Wick, Felt 12	145866	Guide, Tape 4
76278	Bushing 4	121125	Washer, Spring 22	150013	Disk, Adjusting 11
76422	Spring 16	121242	Clamp, Cable (1/8" ID) 2, 8, 16, 19	150026	Lever, Shoe Release 11
76461	Washer, Flat 4	121243	Clamp, Cable (3/16" ID) 22	150029	Wick, Felt 11
76964	Pin, Cotter 16	121244	Clamp, Cable (1/4" ID) 2	150043	Shoe, Secondary Clutch 11
76968	Screw, Set (8-32) 7	121248	Clamp, Cable (1/2" ID) 19	150044	Shoe, Primary Clutch 11
79890	Screw (1/4-32 x 7/8 Hex) 4	121575	Screw (10-32 x 5/16 Hex) 3	150241	Spring 11
80581	Spring 12, 13	122245	Capacitor (43-48 MFD) 3	150411	Washer, Flat 15
81596	Screw (10-32 x 1-3/8 Hex) 18	124177	Washer, Lock 15	150440	Hub 4
81726	Terminal 22	129011	Washer, Flat 9, 10, 23	150441	Gear (21 T) 4
82474	Terminal 24	129013	Washer, Flat 4, 7, 13	150507	Spring 15
82547	Insulator (.094") 22	126126	Screw (2-56 x 9/32 Fil) 24	150710	Screw (6-40 x 1-1/4 Fil) 21
82548	Insulator (.062") 22	125181	Screw (2-56 x 3/8 Fil) 2	150923	Washer, Felt 12, 13
86304	Spring 14	129847	Spring, Compression 16	150966	Insulator (1-4) 2
86742	Nut (4-40 Hex) 13	128271	Spring 12	150979	Capacitor (1/2 MFD) 21
86999	Bush, Insulating 22	131099	Screw, Shoul (6-40) 15	150990	Washer, Felt 13
88891	Spring 22	138166	Terminal 20, 24	150991	Washer, Felt 8, 10
90606	Spring 5	139568	Screw, Set (8-32) 19	150992	Stud 5
90679	Washer, Felt 13	139752	Nut (3/8-32 Hex) 19	151006	Screw, Shoulder (4-40) 13
90790	Washer, Flat 18	142269	Screw (6-40 x 11/64 Hex) 9, 15	151045	Bar, Space 7
90791	Washer, Lock 14	145307	Fuse (3 Amp SL-BL) 21	151060	Gear Set (60 WPM) 17
93117	Washer, Lock 3, 5, 16	145308	Plate, Nut 20	151073	Screw (4-40 x 5/32 Fil) 22
97393	Screw, Shoulder (6-40) 15	145309	Bracket 20	151075	Gear Set (75 WPM) 17
100657	Connector, Receptacle (2 Pt) 3, 20	145310	Bracket 19	151080	Washer, Flat 9
		145311	Base 2	151100	Gear Set (100 WPM) 17
			Plate, Stop 19	151113	Strip, Mounting 2
				151118	Plate, Spacing 2, 3
				151126	Spacer (25/64" ID) 6
				151130	Pinion (14 T) 17

## NUMERICAL INDEX (Continued)

Part Number	Description and Page Number	Part Number	Description and Page Number	Part Number	Description and Page Number
151131	Gear (96 T) 17	152766	Gear Set (67 WPM) 17	154092	Shaft 6
151132	Pinion (17 T) 17	152839	Spring, Latch 15	154094	Clamp 10
151133	Gear (93 T) 17	152893	Screw (4-40 x 1/4 Hex) 9	154095	Eccentric, Contact Box 14
151134	Pinion (20 T) 17	153252	Link 2	154096	Bushing, Eccentric 10
151135	Gear (84 T) 17	153455	Resistor (600 Ohm) 21	154101	Plate, Rear 10
151146	Strap, Mounting 2, 3	153484	Screw (6-32 Spl) 21	154102	Plate, Rear 13
151152	Screw (4-40 x 3/16 Hex) 9, 10, 14, 15, 16, 23	153538	Screw (6-40 x 7/16 Hex) 5	154105	Post, Transfer Bail 12
151171	Toggle, Contact 14	153539	Screw (6-40 x 11/16 Hex) 5	154106	Bracket 2
151180	Link, Toggle 14	153799	Screw (4-40 x 21/64 Hex) 15	154117	Ball, Space Bar 7
151182	Washer, Insulating 14	153817	Screw (4-40 x 3/8 Hex) 2, 14	154119	Bracket, Space Bar 7
151223	Screw, Shoulder (4-40) 7	153841	Screw (6-40 x 9/16 Hex) 2, 10	154120	Lever, Code Bar 8
151224	Screw, Pilot (6-40) 7	154000	Base 2	154121	Lever, Space 8
151228	Bracket W/Bearing 6	154001	Bar, Code (#1) 8	154122	Lever, Keyboard Lock 8
151245	Washer, Felt 19	154002	Bar, Code (#2) 8	154123	Lever, Function 8
151329	Switch, Sensitive 2	154003	Bar, Code (#3) 8	154124	Lever, Repeat and Keyboard Unlock 8
151335	Stud 2, 3, 19, 21	154004	Bar, Code (#4) 8	154125	Spring 8
151346	Screw (6-40 x 3/8 Fil) 6, 18	154005	Bar, Code (#5) 8	154127	Nut (6-40 Hex) 13
151411	Block, Terminal 3, 19	154008	Guide, Code Bar 8	154129	Bar, Clutch Trip 8
151412	Insulator (1-9) 3, 19	154009	Plate, Front 12	154130	Box, Contact 14
151415	Block, Terminal 2	154010	Bail, Transfer 12	154131	Cover, Contact Box 14
151416	Nut (6-40 Hex) 2, 3, 19	154013	Bracket, Spring 8	154138	Washer, Felt 11
151442	Screw (6-40 x 1/2 Hex) 4, 10, 22	154014	Post, Guide 12	154140	Bail, Locking 12
151572	Washer, Lock 3	154015	Post 13	154154	Cam, Signal Generator 11
151610	Washer, Flat 18	154016	Shaft 8	154156	Grommet, Rubber 20, 24
151626	Terminal 3, 16, 20, 21, 24	154018	Post, Locking Bail 12	154165	Box Assembly, Contact 14
151630	Screw (6-40 x 1/4 Hex) 2, 3, 4, 5, 7, 8, 18, 19, 21, 22	154019	Followers, Eccentric 11	154166	Suppressor, Arc 14
151631	Screw (6-40 x 5/16 Hex) 2, 3, 4, 6, 7, 8, 10, 15, 16, 18, 22	154021	Link 7	154173	Plate 20, 24
151632	Screw (6-40 x 3/8 Hex) 2, 4, 14, 18, 19, 20, 21, 22	154023	Latch, Lock Bar 8	154178	Spring 12
151637	Screw (4-40 x 1/4 Fil) 2, 15	154025	Plate, Adjusting 13	154179	Bail, Universal 9
151642	Screw (6-40 x 3/4 Fil) 4	154027	Bolt, Shank 13	154183	Blade, Front 9
151657	Screw (6-40 x 1/4 Fil) 22	154029	Wick, Felt 11	154184	Blade, Rear 9
151658	Screw (6-40 x 5/16 Fil) 18, 20	154030	Shaft 11	154189	Insulator 14
151659	Screw (6-40 x 1/2 Fil) 7, 15	154032	Sleeve, Gear 11	154190	Filter, R.F. 14
151678	Screw, Pilot (1/4-32) 2	154033	Lever, Clutch Latch 10	154191	Spring 13
151685	Screw (4-40 x 5/16 Fil) 15	154034	Lever, Clutch Stop 10	154194	Base 14
151686	Screw (4-40 x 3/8 Fil) 16	154036	Plate, Deront 12	154197	Plug, Button 7
151690	Screw (10-32 x 5/16 Fil) 4	154037	Lever 6	154199	Shim (.005") 2
151692	Screw (6-40 x 3/16 Fil) 16	154039	Bracket 2	154201	Shim (.014") 2
151693	Screw (6-40 x 9/16 Fil) 4	154040	Lever, Transfer 12	154210	Bracket, Left 7
151695	Screw (6-40 x 5/8 Hex) 4	154041	Post, Stop 12	154211	Bracket, Right 7
151712	Button, Pivot 6, 20	154042	Terminal 14	154212	Frame, Front 7
151721	Screw (6-40 x 3/4 Hex) 23	154043	Terminal 14	154215	Spring 13
151722	Screw (6-40 x 3/16 Hex) 8, 12, 21	154045	Screw (6-40 Spl) 14	154217	Wick, Leather 12
151723	Screw (10-32 x 3/8 Hex) 2, 4, 5	154046	Stud 10	154225	Box Assembly, Contact 14
151724	Screw (10-32 x 5/8 Hex) 6	154047	Post, Spring 12	154226	Box W/Strap 14
151725	Screw (10-32 x 3/4 Fil) 6	154051	Screw, Shoulder (6-40) 13	154236	Lever, Latch 10
151728	Spring 11	154052	Bar, Locking 8	154237	Lever, Non-Repeat 13
151731	Screw (4-40 x 7/8 Fil) 16	154053	Bail, Clutch Trip 10	154238	Extension 9
151733	Screw (4-40 x 9/16 Fil) 5, 22	154056	Bracket, Contact Box 14	154239	Extension W/Post 9
151737	Screw (4-40 x 11/16 Hex) 11	154059	Bracket, Function Bail 6	154240	Ball, Code Bar 13
151818	Jumpers (4-1/4" Black) 3	154068	Lever 6	154241	Stud 13
151819	Jumpers (3" Black) 3, 21	154068	Bracket, Right Guide 8	154350	Modification Kit 13
151820	Spring, Contact 14	154069	Bracket, Left Guide 8	154386	Plate, Adjusting 13
151827	Strap, Terminal 3, 19	154070	Guide, Code Lever 8	154662	Spacer 6
151843	Screw, Adjusting (6-40) 9	154071	Screw, Pilot (1/4-32) 8	154663	Shaft 6
151880	Nut (4-40 Hex) 14, 15	154076	Plate, Nut 2, 21	154694	Disk, Clutch Cam 11
152045	Guard, Gear 2	154079	Stud 13	155730	Sleeve, Insulating (3/32 ID x 1/2" Lg) 24
152760	Stud 21	154080	Lock, Wedge 8	155751	Sleeve, Insulating (1/8 ID x 1/4" Lg) 24
152764	Gear (81 T) 17	154081	Plate, Retainer 9	155752	Sleeve, Insulating (5/64 ID x 1/2" Lg) 24
152765	Pinion (13 T) 17	154083	Spacer, Cam 11	155753	Sleeve, Insulating (1/8 ID x 1/2" Lg) 5, 24
		154084	Bearing 13	155754	Sleeve, Insulating (1/16 ID x 1/2" Lg) 24
		154085	Plate 2		
		154086	Retainer, Wedge 9		
		154087	Plate, Nut 2		
		154088	Plate, Nut 2		
		154089	Post, Spring 13		
		154091	Guide 13		

NUMERICAL INDEX (Continued)

Part Number	Description and Page Number	Part Number	Description and Page Number	Part Number	Description and Page Number
155755	Sleeve, Insulating (1 1/64 D x 5/8" Lg) 24	159285	Gear (84 T) 17	164379	Cable 22
155951	Spring, Tension 16	159287	Retainer, Pinion 17, 18	164485	Ball 10, 22
155952	Pin 16	159327	Washer, Flat 13	164565	Container, Tape 5
155953	Stud 16	159334	Washer, Insulating 13	164590	Connector, Plug (24 Pt) 24
155954	Switch, Micro 16	159340	Spring, Return 15	164644	Post 22
155956	Ball W/Bar 16	159431	Lever, Main Trip 4, 18	164645	Post 22
155957	Bracket 16	159542	Connector, Receptacle (16 Pt) 2, 24	164646	Plate, Nut 22
155958	Keylever 16	160307	Diode 3	164647	Bracket 22
155959	Keypad 16	161215	Lamp, Neon (110 V) 7	164649	Plate, Mounting 22
155960	Latch 15	161239	Connector, Plug (36 Pt) 24	164651	Ball, Armature 22
155964	Lever, Stop 15	161292	Gear Set (60 WPM) 17	164652	Bar, Universal 22
155965	Ratchet (88 T) 15	161294	Gear Set (75 WPM) 17	164656	Bar, Clutch Trip 22
155966	Drive, Ratchet 15	161295	Gear Set (100 WPM) 17	165656	Cable Assembly 24
155967	Washer, Spring 15	161301	Post 17	165659	Bracket 21
155968	Washer, Flat 15	161346	Washer, Felt 12	165660	Insulator (.062") 21
155969	Bracket 15	161826	Plate 5	165661	Cable W/Terminals 21
155991	Keypad Assembly 16	161831	Washer, Spring 4	165662	Stud 21
155992	Cable Assembly 16	161878	Cable Assembly 24	165663	Insulator (1-10) 21
155994	Insulator (.015") 16	161891	Plate, Keypad Guide 7	165676	Cap (Green) 7
156226	Hub 4	161892	Cable Assembly 24	165678	Lamp (55 V) 7
156448	Bushing 5	161895	Shalt 4	165679	Cable Assembly 24
156449	Lever, Switch 5	161896	Gear (33 T) 4	165680	Bracket, Fuse Holder 21
156450	Screw (2-56 x 1/2 Fill) 16	161897	Gear (33 T) 4	165681	Bracket, Mounting 21
156451	Bushing 5	161899	Spacer 4	165682	Bracket 21
156503	Wick, Felt 11	161900	Bracket, Gear Guard 4	170324	Bracket 8
156509	Washer, Flat 12	161901	Bracket, Gear Guard 4	170385	Frame 10
156156	Latch 12	161902	Plate 4	170386	Guide 12
156574	Post, Spring 9	161903	Bracket 3	170391	Guide 12
156630	Washer, Felt 12	161904	Plate, Nut 3	172721	Cable Assembly 24
156632	Screw (6-40 x 13/32 Hex) 7, 15	161905	Bracket 3	173096	Stud, Eccentric 13
156644	Link, Drive 14	161906	Plate 7	173396	Cable Assembly 24
156663	Insulator 14	161907	Plate 7	173793	Gear (100 T) 17
158019	Baffle, Character Counter 15	161908	Post, Supporting 3	173794	Pinion (14 T) 17
158021	Bracket, Switch 15	161909	Socket, Lamp 7	173795	Gear Set (65 WPM) 17
158031	Ball, Feed 15	161910	Cap (Amber) 7	173922	Cable Assembly 24
158032	Ball, Reset 15	161911	Knob (Black) 7	173974	Screw (10-32 x 5/16 Hex) 3
158033	Spacer 15	161912	Switch (SP-ST) 7	174250	Pin, Roll 18
158036	Lever, Reset 15	161925	Guide, Tape 4	174491	Modification Kit: To Provide R.F. Suppression Filter 14
158038	Lever 15	161926	Guide, Tape 4	176406	Bracket 16
158040	Lever, Ratchet Drive 15	161927	Guide, Tape 4	176407	Lever 16
158042	Lever, Latch 15	161932	Cap (Red) 7	178306	Relay, Power 21
158045	Stud 15	161942	Plate 3	178535	Suppressor, Spark 21
158046	Bracket, Counter Scale 15	161950	Bracket 2	178725	Spring 15
158047	Socket, Counter 15	161951	Bracket 4	178726	Bracket, Spring 15
158050	Switch, Contact 15	161954	Socket, Lamp 7	178728	Modification Kit: To Improve Character Counter Mechanism 15
158051	Pulley, Indicator Cord 15	161957	Lamp (6 V) 7	178839	Nut (11/32-32 Hex) 7
158052	Cam, Switch 15	161964	Clamp, Tube 3	178849	Cord Assembly 15
158053	Clamp, Ratchet Drum 15	161965	Resistor (1000 Ohm) 3	178851	Pulley 15
158054	Cord Assembly 15	162333	Stud, Locating 6	179258	Bracket, Scale 15
158056	Cord, Reset 15	162659	Retainer 18	179278	Drive, Ratchet 15
158063	Bracket, Stop 8	163368	Camsleeve 11	179279	Bracket 15
158105	Bar, Carriage Return Code 8	163440	Gear (48 T) 6	192681	Screw (6-40 Spl) 9
158107	Bar, Character Counter Code 8	163442	Cable Assembly 5	192797	Chute, Chad 23
158147	Bushing, Eccentric 15	163459	Gear (66 T) 4	192798	Plate, Mounting 23
158163	Switch, Sensitive 3, 5	163460	Gear (55 T) 6	192999	Modification Kit 23
158215	Plate, Nut 2, 3, 15, 21	163461	Pinion (18 T) 17	193660	Bag, Chad (10" Lg) 23
158239	Lever, Tape 5	163462	Gear (117 T) 17	193561	Casing, Fan Wheel 23
158268	Latch W/Hub 13	163463	Pinion (24 T) 17	193579	Clamp, Tube 23
158289	Reel, Tape 5	163464	Gear (104 T) 17	193644	Bag, Chad (30" Lg) 23
158745	Clamp, Bearing 4, 18	163503	Gear (26 T) 4	193684	Clamp, Armature 22
158753	Armature 22	163504	Gear Set (71 WPM) 17	193715	Spring, Contact 22
158754	Core, Magnet 22	163506	Gear Set (107 WPM) 17	193718	Bracket, Contact 22
158839	Post, Spring 22	163519	Sleeve, Gear 11	193719	Contact Assembly 22
159278	Pinion (14 T) 17	163522	Transformer 3	193800	Modification Kit 22
159279	Gear (96 T) 17	163990	Gear (60 T) 4	195186	Screw (4-40 x 7/8 Hex) 14
159281	Pinion (17 T) 17	163647	Channel, Ball 9	195403	Tubing 7-1/2" Lg) 23
159282	Gear (93 T) 17	163813	Plate 16		
159284	Pinion (20 T) 17	163814	Lever W/Hub 16		