

28 ELECTRICAL SERVICE UNIT (LESU)  
(REPERFORATORS)  
PARTS

FIGURE	CONTENTS	PAGE
1	Electrical Service Unit (LESU)	2
2	152623 Line Relay Mounting Assembly	3
3	152950 and 162361 Rectifier Assemblies	4
4	153251 Electrical Motor Control Assembly	5
5	176448 Relay Motor Control Assembly	6
6	177010 Selector Magnet Driver Assembly	7
7	Early Design LESU Parts	8
8	179426 Plate Assembly	8
9	176694 Motor Control Assembly	9
10	Cables	9
	Numerical Index	10

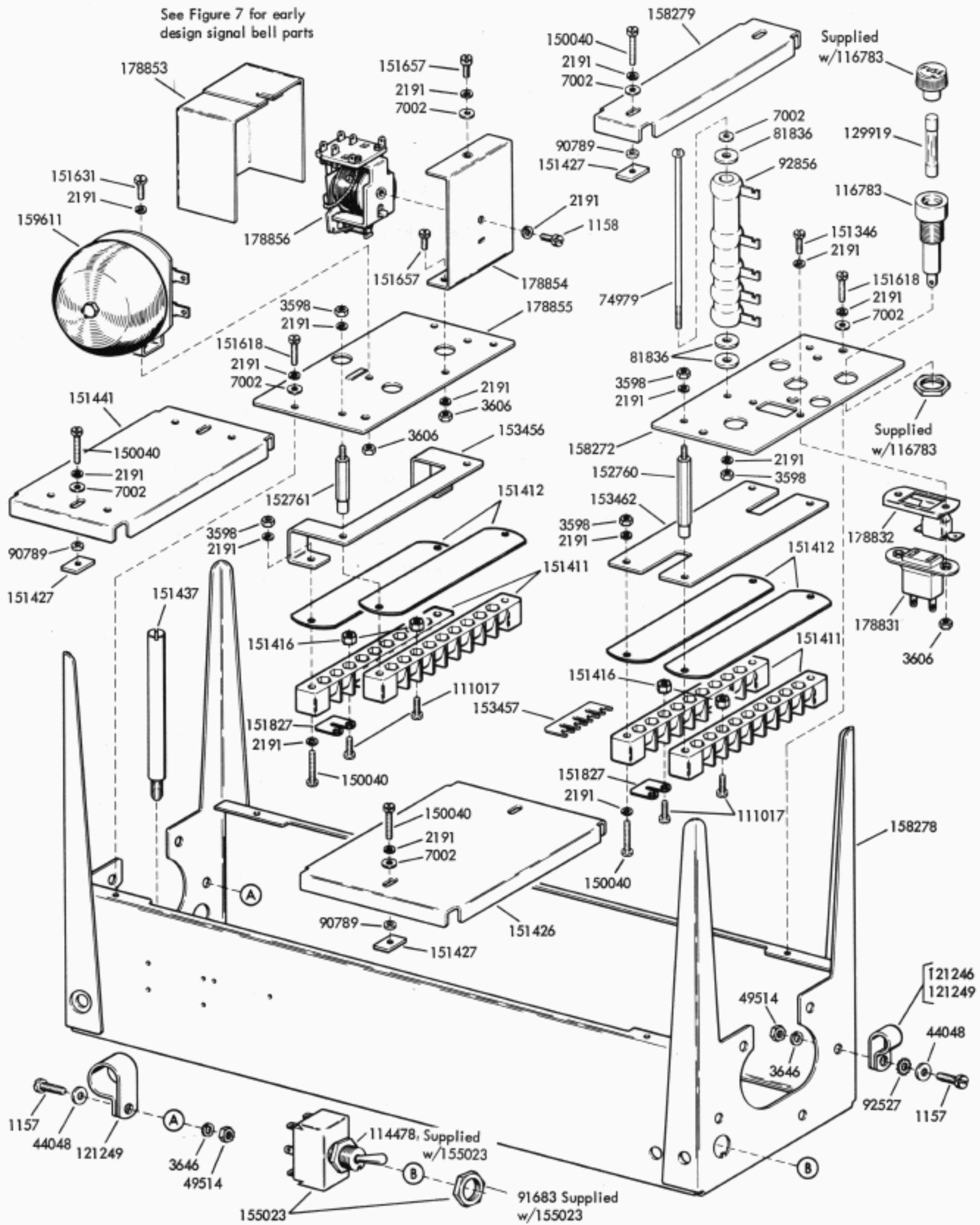


FIGURE 1. ELECTRICAL SERVICE UNIT (LESU)

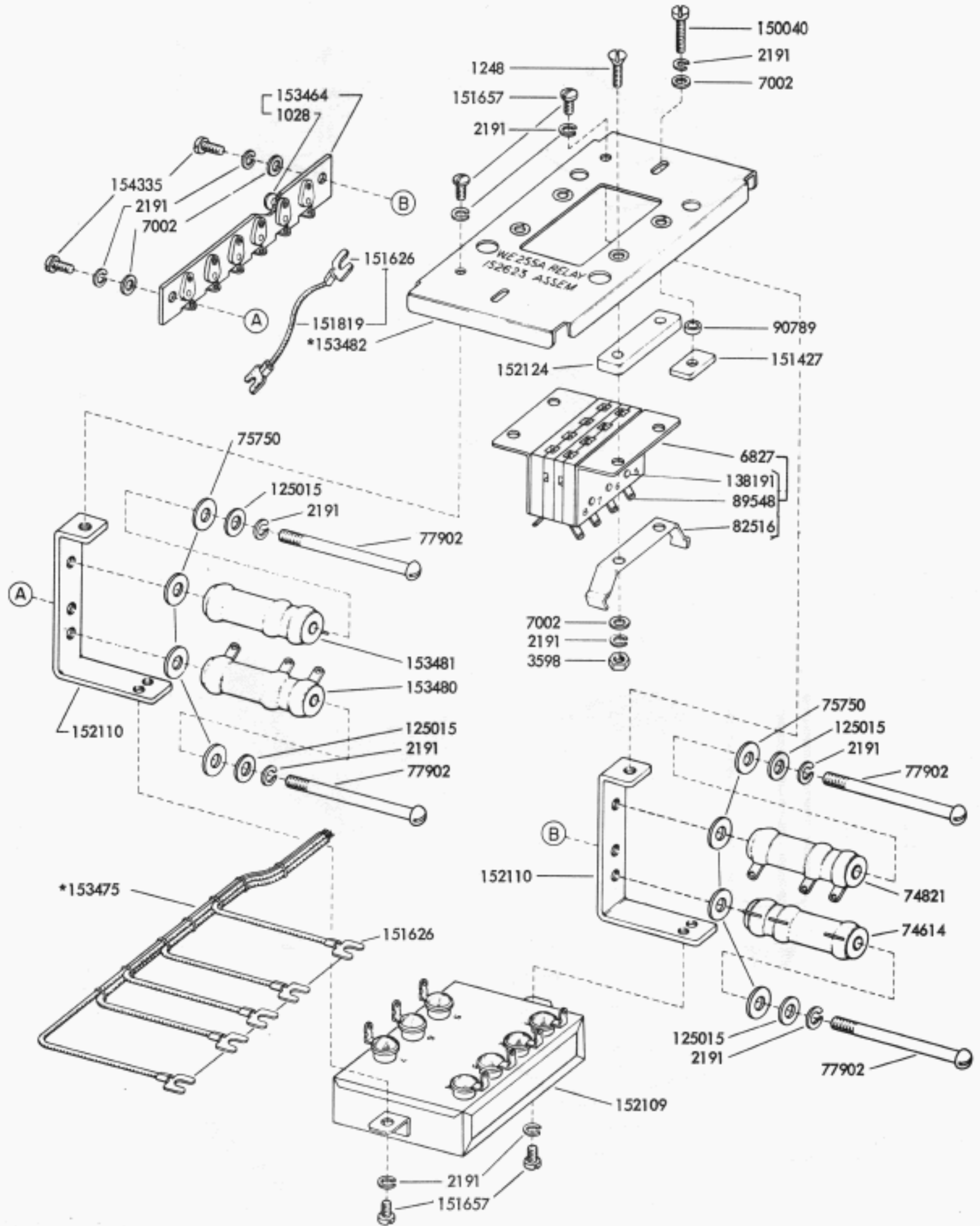


FIGURE 2. 152623 LINE RELAY MOUNTING ASSEMBLY

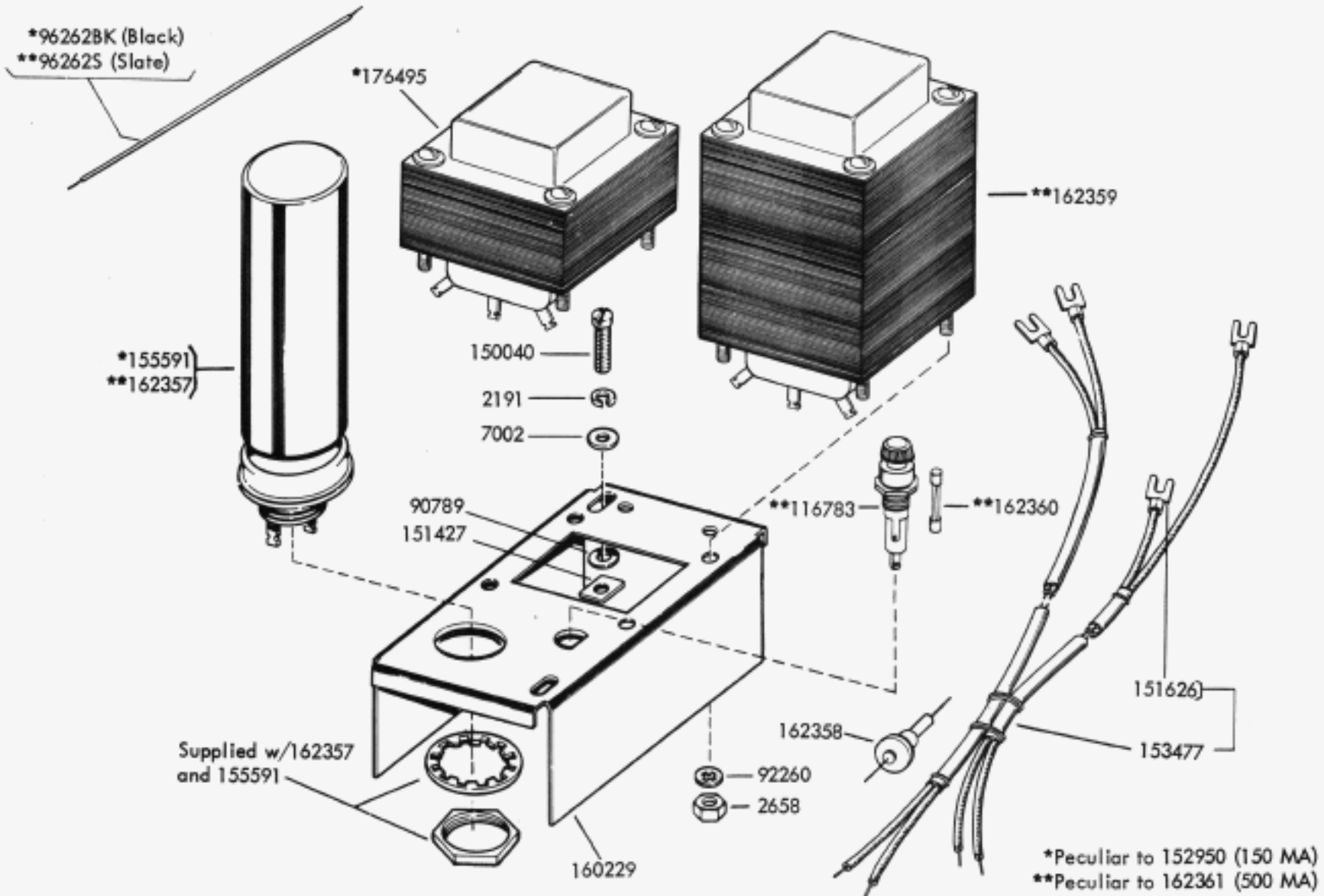
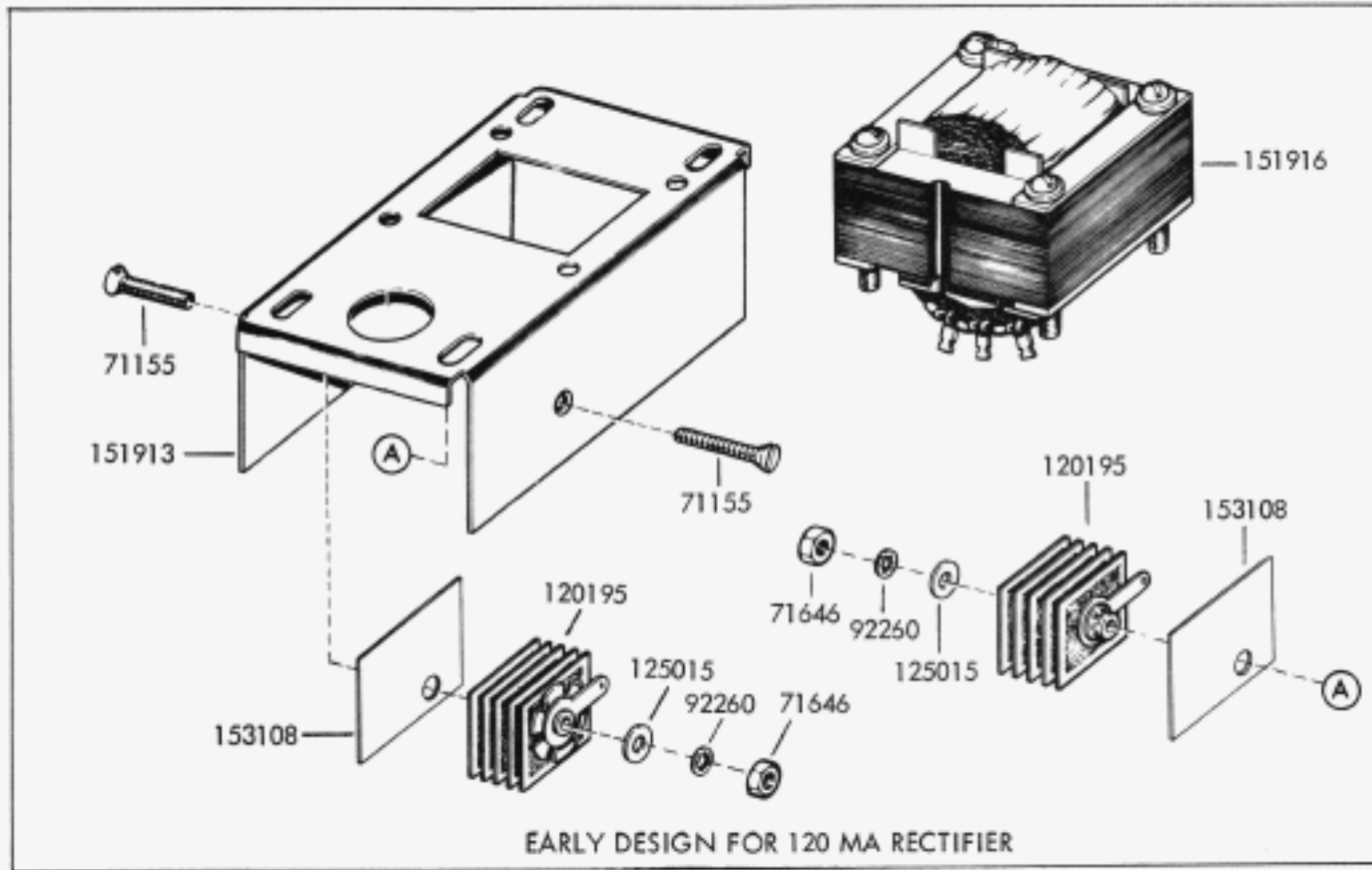


FIGURE 3. 152950 AND 162361 RECTIFIER ASSEMBLIES

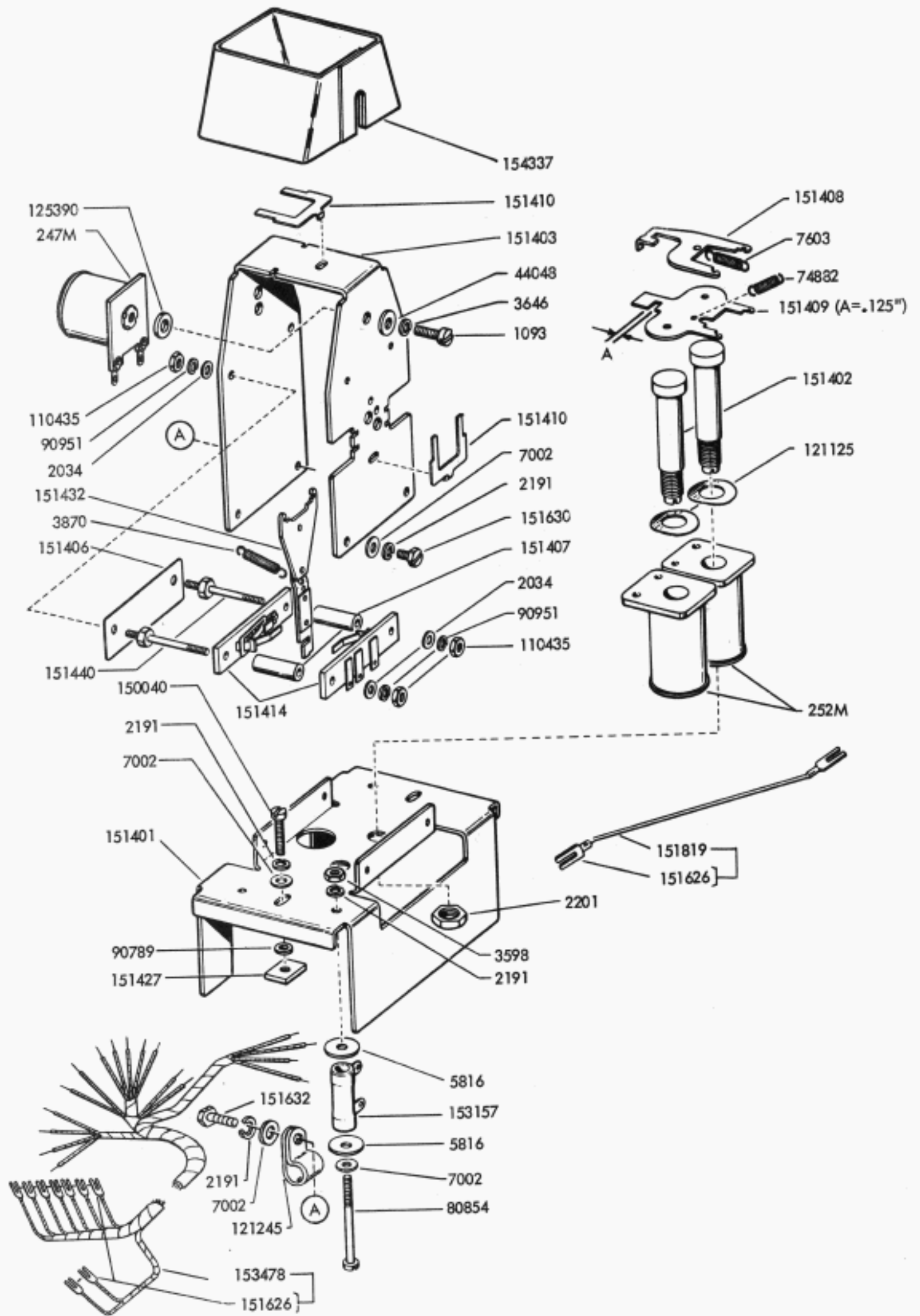


FIGURE 4. 153251 ELECTRICAL MOTOR CONTROL ASSEMBLY

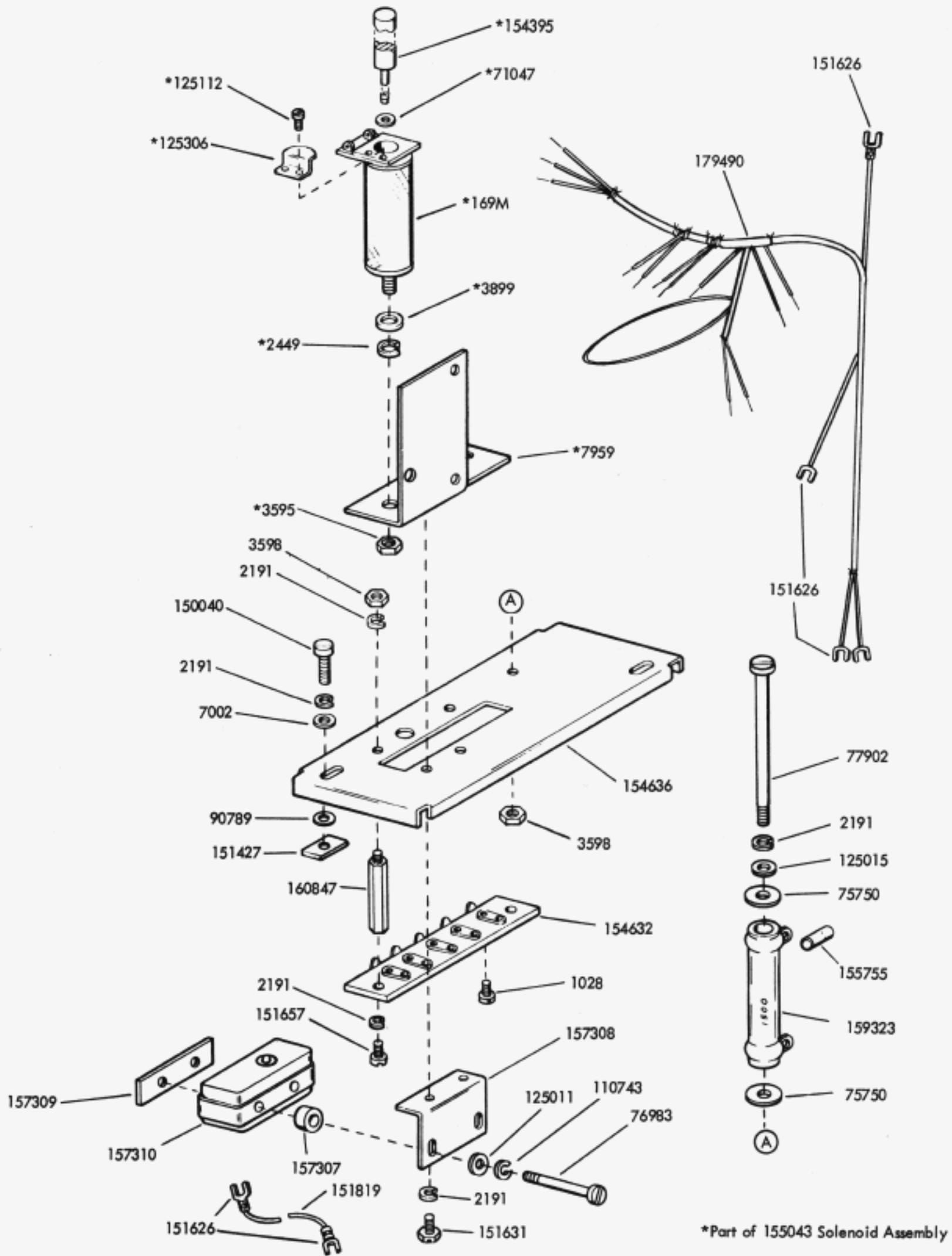


FIGURE 5. 176448 RELAY MOTOR CONTROL ASSEMBLY

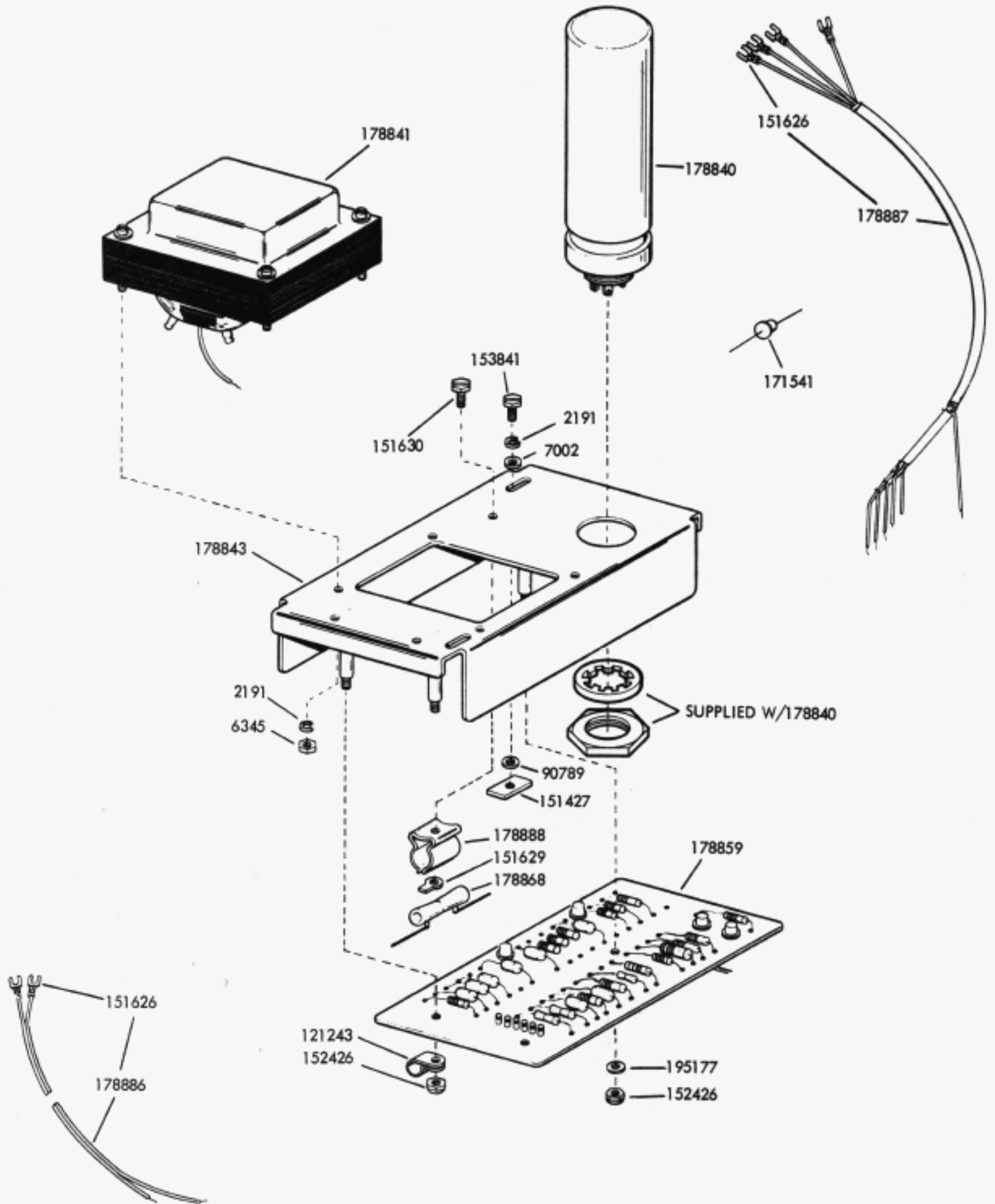
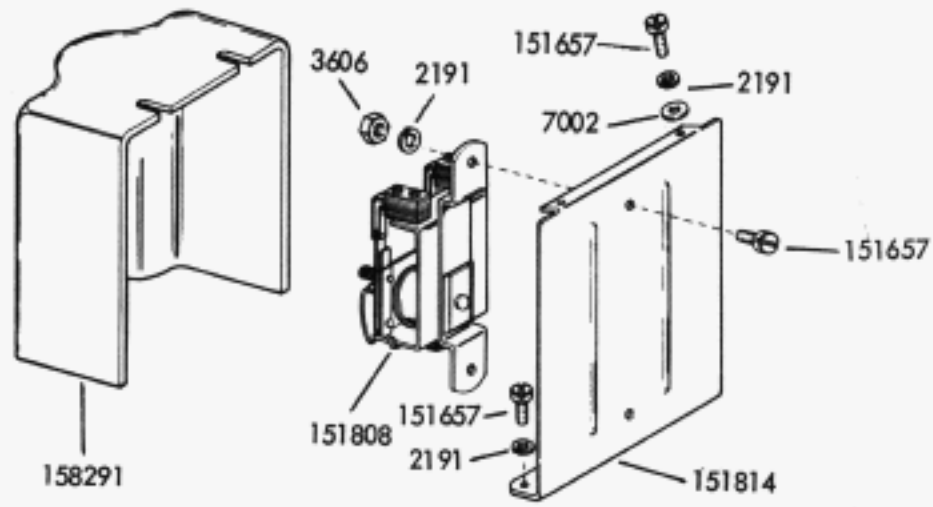


FIGURE 6. 177010 SELECTOR MAGNET DRIVER ASSEMBLY



Early design signal bell parts

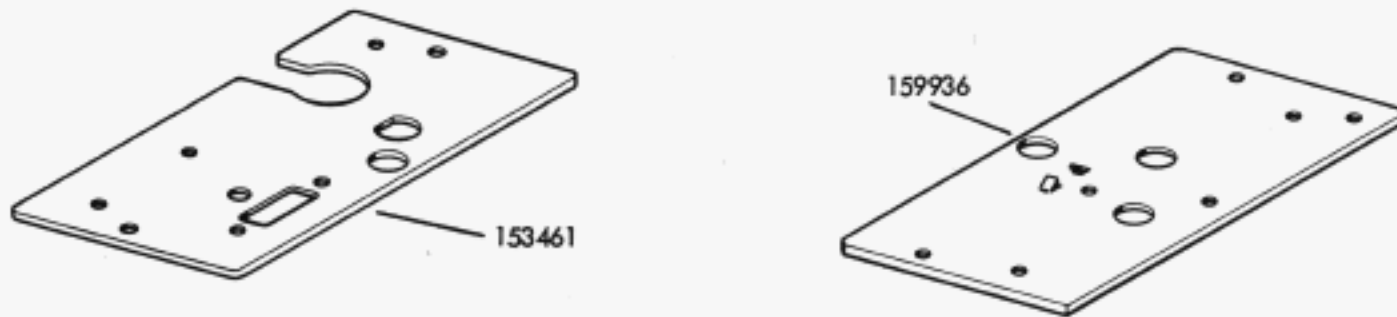


FIGURE 7. EARLY DESIGN LESU PARTS

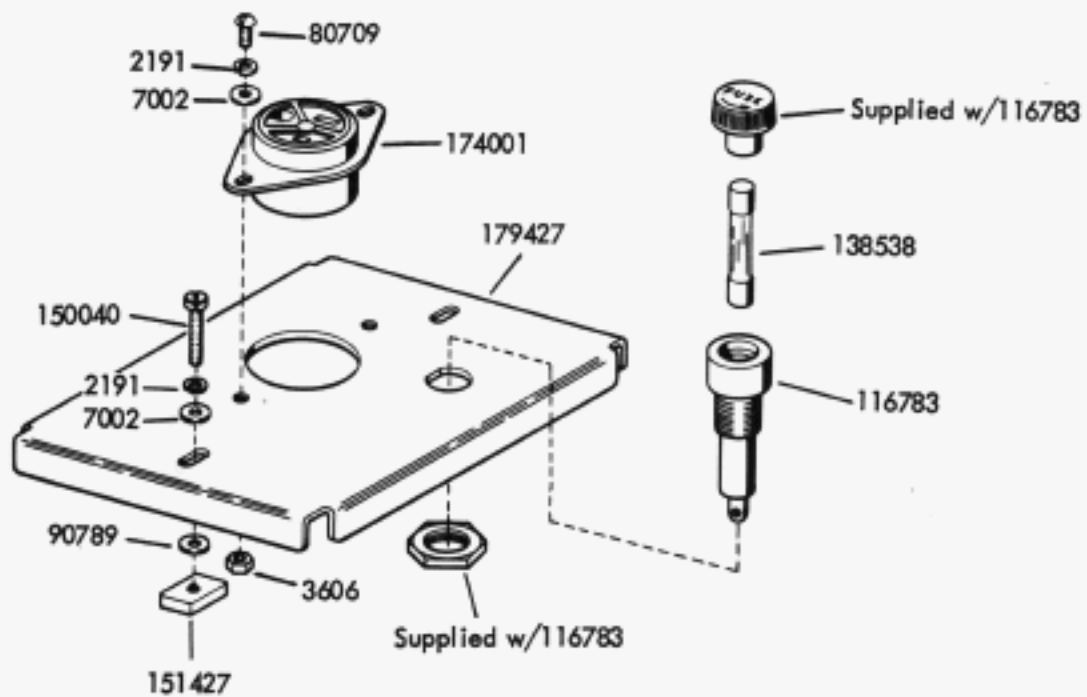


FIGURE 8. 179426 PLATE ASSEMBLY



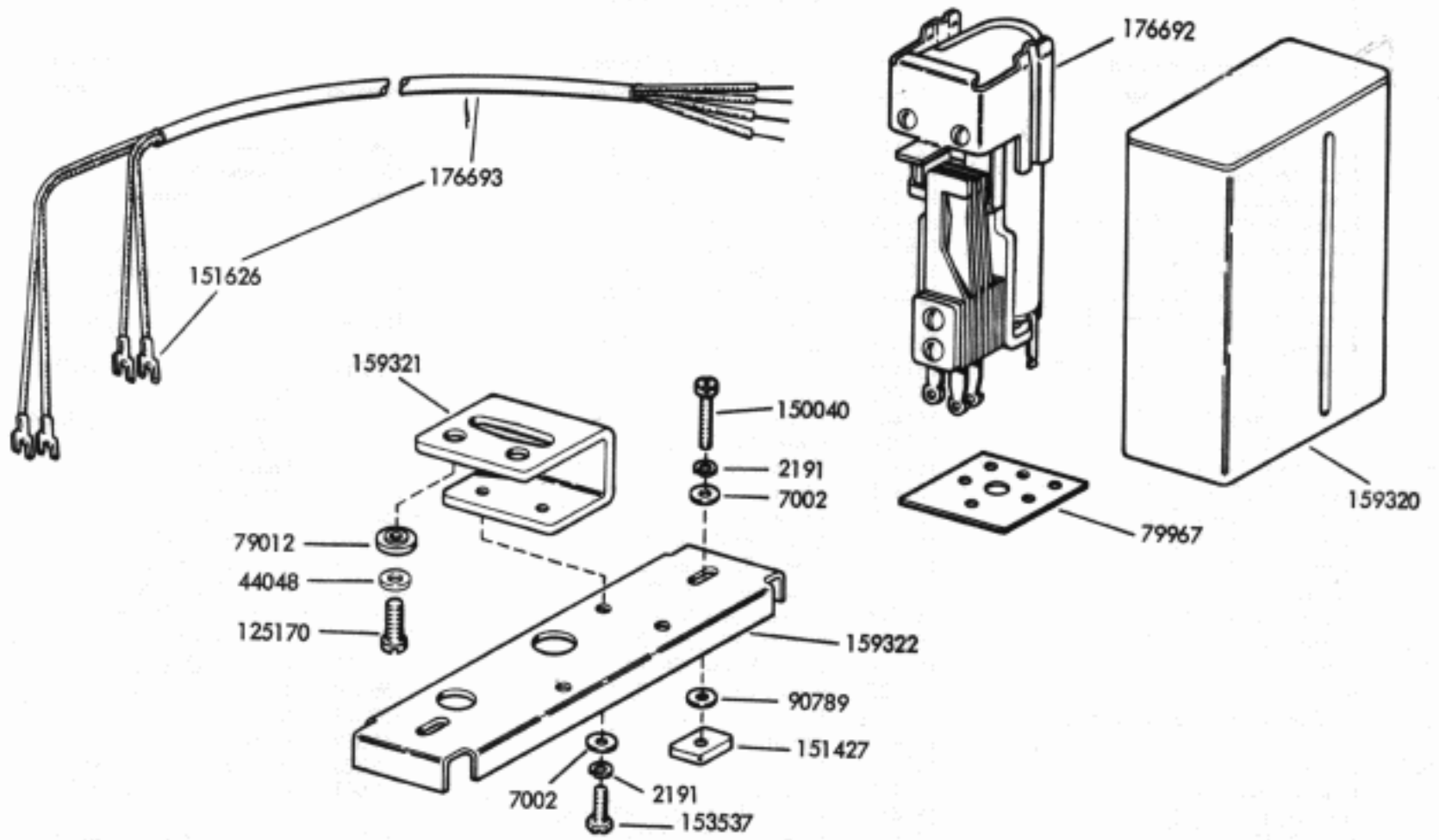


FIGURE 9. 176694 MOTOR CONTROL ASSEMBLY

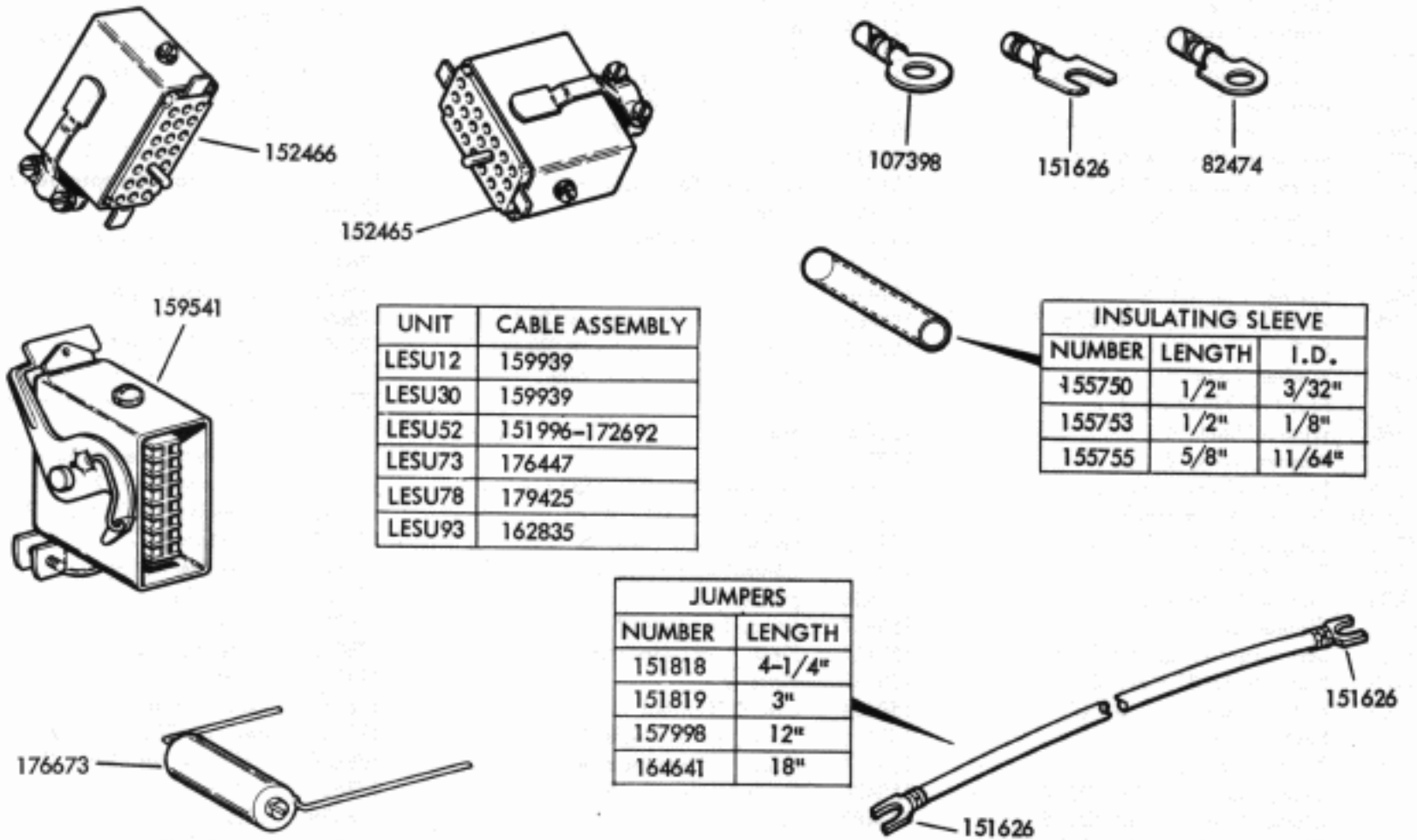


FIGURE 10. CABLES

## NUMERICAL INDEX

Part Number	Description and Page Number	Part Number	Description and Page Number	Part Number	Description and Page Number
169M	Coil, Magnet 6	125170	Screw (8-32 x 5/16 Fil) 9	154337	Cover 5
247M	Coil, Magnet 5	125306	Stop, Magnet Plunger 6	154395	Plunger, Solenoid 6
252M	Coil, Magnet 5	125390	Washer, Flat 5	154632	Block, Terminal 6
1028	Screw (4-40 x 1/4 Fil) 3, 6	129919	Fuse (4 Amp) 2	154636	Plate 6
1093	Screw (8-32 x 7/16 Fil) 5	138191	Screw (3-48 x 1 Rd) 3	155023	Switch, Toggle (DP-DT) 2
1157	Screw (8-32 x 1/2 Fil) 2	138538	Fuse, SL-BL (2 Amp) 8	155043	Solenoid Assembly 6
1158	Screw (6-32 x 5/16 Fil) 2	150040	Screw (6-40 x 5/8 Fil) 2, 3, 4, 5, 6, 8, 9	155591	Capacitor (220 MFD) 4
1248	Screw (6-40 x 1/2 Flat) 3			155750	Sleeve, Insulating (3/32 ID x 1/2" Lg) 9
2034	Washer, Flat 5	151346	Screw (6-40 x 3/8 Fil) 2	155753	Sleeve, Insulating (1/8 ID x 1/2" Lg) 9
2191	Washer, Lock 2, 3, 4, 5, 6, 7, 8, 9	151401	Base 5	155755	Sleeve, Insulating (11/64 ID x 5/8" Lg) 6, 9
2201	Nut (5/16-32 Hex) 5	151402	Core 5	157307	Spacer 6
2449	Washer, Lock 6	151403	Frame 5	157308	Bracket 6
2658	Nut (6-32 Hex) 4	151406	Plate, Insulating 5	157309	Plate, Nut 6
3595	Nut (1/4-32 Hex) 6	151407	Collar, Spacing 5	157310	Switch, Sensitive 6
3598	Nut (6-40 Hex) 2, 3, 5, 6	151408	Lever 5	157998	Jumper (12" Black) 9
3606	Nut (6-40 Hex) 2, 8	151409	Armature 5	158272	Plate, Right Mounting 2
3646	Washer, Lock 2, 5	151410	Clip, Retaining 5	158278	Container, Electrical 2
3870	Spring 5	151411	Block, Terminal 2	158279	Plate, Blank (1-5/16" Wide) 2
3899	Spacer (.188") 6	151412	Insulator (1-9) 2	158291	Cover, Relay 8
5816	Washer, Insulating 5	151414	Switch, Sensitive 5	159320	Cover, Relay 9
6345	Nut (6-32 Hex) 7	151416	Nut (6-40 Hex) 2	159321	Bracket, Relay 9
6827	Block 3	151426	Plate, Blank (3-3/4" Wide) 2	159322	Plate, Relay 9
7002	Washer, Flat 2, 3, 4, 5, 6, 7, 8, 9	151427	Plate, Clamp 2, 3, 4, 5, 6, 7, 8, 9	159323	Resistor (1500 Ohm) 6
7603	Spring 5	151432	Armature 5	159541	Connector, Plug (16 Pt) 9
7959	Bracket, Magnet 6	151437	Stud 2	159611	Bell 2
44048	Washer, Flat 2, 5, 9	151440	Stud 5	159936	Plate, Left Mounting 8
49514	Nut (8-32 Hex) 2	151441	Plate, Blank (2-3/4" Wide) 2	159939	Cable Assembly 9
71047	Washer, Flat 6	151618	Screw (6-40 x 7/16 Fil) 2	160229	Plate, Mounting 4
71155	Screw (6-32 x 1-1/4 Flat) 4	151626	Terminal 3, 4, 5, 6, 7, 9	160847	Stud 6
71646	Nut (6-32 Hex) 4	151629	Nut (6-40 Lug) 7	162357	Capacitor (500 MFD) 4
74614	Resistor (2600 Ohm) 3	151630	Screw (6-40 x 1/4 Hex) 5, 7	162358	Diode 4
74821	Resistor (2810 Ohm) 3	151631	Screw (6-40 x 5/16 Hex) 2, 6	162359	Transformer, Power 4
74882	Spring 5	151632	Screw (6-40 x 3/8 Hex) 5	162360	Fuse (.8 Amp) 4
74979	Screw (6-32 x 3-3/4 Rd) 2	151657	Screw (6-40 x 1/4 Fil) 2, 3, 6, 8	162361	Rectifier Assembly (500 MA) 4
75750	Washer, Insulating 3, 6	151808	Relay 8	162835	Cable Assembly 9
76983	Screw (4-40 x 1-1/4 Fil) 6	151814	Bracket, Relay Mounting 8	164641	Jumper (18" Black) 9
77902	Screw (6-40 x 2-3/8 Rd) 3, 6	151818	Jumper (4-1/4" Black) 9	171541	Diode 7
79012	Insulator 9	151819	Jumper (3" Black) 3, 5, 6, 9	172692	Cable Assembly 9
79967	Insulator 9	151827	Strap, Terminal 2	174001	Connector, Receptacle (3 Pt) 8
80709	Screw (6-40 x 1/4 Rd) 8	151913	Plate, Mounting 4	176447	Cable 9
80854	Screw (6-40 x 1-7/16 Fil) 5	151916	Transformer 4	176448	Control Assembly, Motor 6
81836	Washer, Insulating 2	151996	Cable W/Terminals 9	176495	Transformer, Power 4
82474	Terminal 9	152109	Filter 3	176673	Suppressor, Spark 9
82516	Spring, Retaining 3	152110	Bracket, Resistor Mounting 3	176692	Relay 9
89548	Spring, Contact 3	152124	Spacer 3	176693	Cable W/Terminal 9
90789	Washer, Flat 2, 3, 4, 5, 6, 7, 8, 9	152426	Nut, Self-Locking (6-40 Hex) 7	176694	Control Assembly, Motor 9
90951	Washer, Lock 5	152465	Connector, Receptacle (20 Pt) 9	177010	Driver Assembly, Selector Magnet 7
91683	Nut (15/32-32 Hex) 2	152466	Connector, Receptacle (20 Pt) 9	178831	Connector, Receptacle (2 Pt) 2
92260	Washer, Lock 4	152623	Mounting Assembly, Line Relay 3	178832	Plate, Adapter 2
92527	Washer, Lock 2	152760	Stud 2	178840	Capacitor (400 MFD) 7
92856	Resistor (1500 Ohm) 2	152761	Stud 2	178841	Transformer 7
96262BK	Jumper (4" Lg Black) 4	152950	Rectifier Assembly (150 MA) 4	178843	Plate, Mounting 7
96262S	Jumper (4" Lg Slate) 4	153108	Insulator (.031") 4	178853	Cover, Relay 2
107398	Terminal 9	153157	Resistor (400 Ohm) 5	178854	Bracket, Relay 2
110435	Nut (4-40 Hex) 5	153251	Control Assembly, Motor 5	178855	Plate, Left 2
110743	Washer, Lock 6	153456	Bracket 2	178856	Relay 2
111017	Screw (6-40 x 5/16 Fil) 2	153457	Strap, Terminal 2	178859	Card, Circuit 7
114478	Nut (15/32-32 Hex) 2	153461	Plate, Right Mounting 8	178868	Resistor (700 Ohm) 7
116783	Holder, Fuse 2, 4, 8	153462	Plate 2	178886	Cable W/Terminals 7
120195	Rectifier 4	153464	Block, Terminal 3	178887	Cable 7
121125	Washer, Spring 5	153475	Cable W/Terminals 3	178888	Clip 7
121243	Clamp, Cable (3/16" ID) 7	153477	Cable W/Terminals 4	179425	Cable Assembly 9
121245	Clamp, Cable (5/16" ID) 5	153478	Cable W/Terminals 5	179426	Plate 8
121246	Clamp, Cable (3/8" ID) 2	153480	Resistor (6750 Ohm) 3	179427	Plate, Cover 8
121249	Clamp, Cable (5/8" ID) 2	153481	Resistor (5800 Ohm) 3	179490	Cable W/Terminals 6
125011	Washer, Flat 6	153482	Plate, Relay 3	195177	Washer, Insulating 7
125015	Washer, Flat 3, 4, 6	153537	Screw (6-40 x 9/32 Hex) 9		
125112	Screw (2-56 x 1/8 Fil) 6	153841	Screw (6-40 x 9/16 Hex) 7		
		154335	Screw (6-40 x 9/32 Fil) 3		