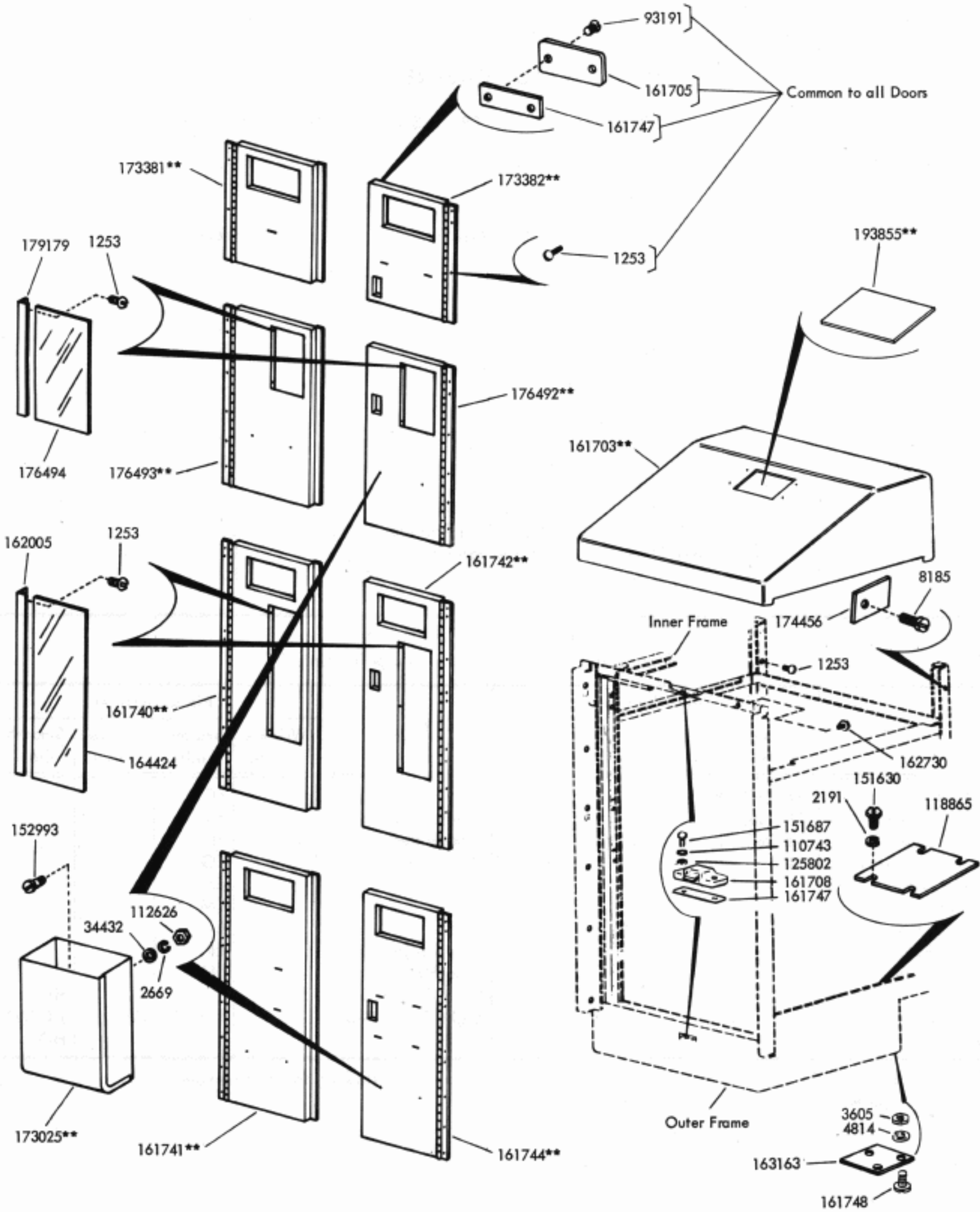


28 APPARATUS CABINET (LBAC)
(RECEIVING, MONITORING & TRANSMITTING-MONITORING)
PARTS

FIGURE	CONTENTS	PAGE
1	Front Doors and Dome	2
2	Control Panels	3
3	Control Panels	4
4	Control Panels	5
5	Control Plates	6
6	Control Plate	7
7	Control Plate Mounting Parts	8
8	Tape Winder Mounting Racks	9
9	Channel Assemblies	10
10	Channel Assemblies with Shelf	11
11	Terminal Blocks and Cable Assembly	12
12	161999** Modification Kit to Provide End Enclosures	13
13	Rear Doors and Latch Mechanism	14
	Numerical Index	15

PAINT FINISH COLOR CODE CHART (For parts and assemblies requiring a paint finish)									
Color	Finish Suffixes				Color	Finish Suffixes			
	Wrinkle Finish	Smooth Finish	Textured Vinyl	Smooth Vinyl		Wrinkle Finish	Smooth Finish	Textured Vinyl	Smooth Vinyl
Black	AA (37)	BB			Brussels Light Blue		EC		
Dark Brown	AD (38)				Medium Blue		ES		
Gray Green	AB (40)	BK	GA (45)		Cherry Red		EF		
Charcoal Gray	AL	BZ		HA	Pastel Yellow		EG		
Dark Gray			GB		White		EH		
Light Gray		EJ		HB (68)	Ivory		EM		
Beige Gray			GC		Beige		ET		
Light Beige		EL		HC	Rose Beige		ER		
Moss Green		EN		HD	Rose Pink		EU		
Eye Rest Green		EA			Dark Covert Gray				HE
Turquoise		EV			Light Olive Gray		EW	GE	HF (46)
Aqua Blue		EK			Fawn				HG

The double asterisk (**) denotes a painted part. Suffix to be applied following the part number.
Number in parenthesis indicates Bell System code



**Refer to page 1 for finish suffix

FIGURE 1. FRONT DOORS AND DOME

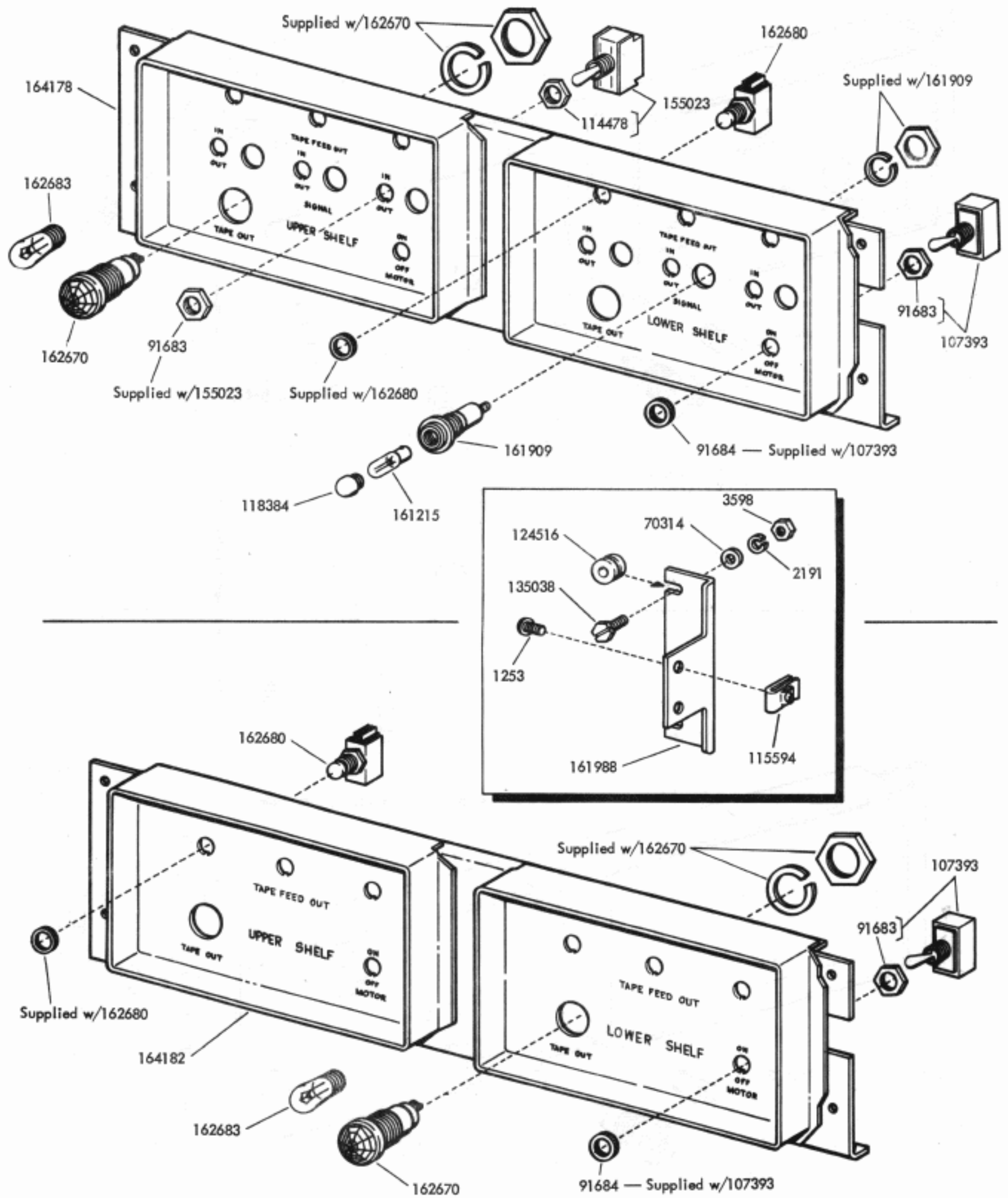


FIGURE 2. CONTROL PANELS

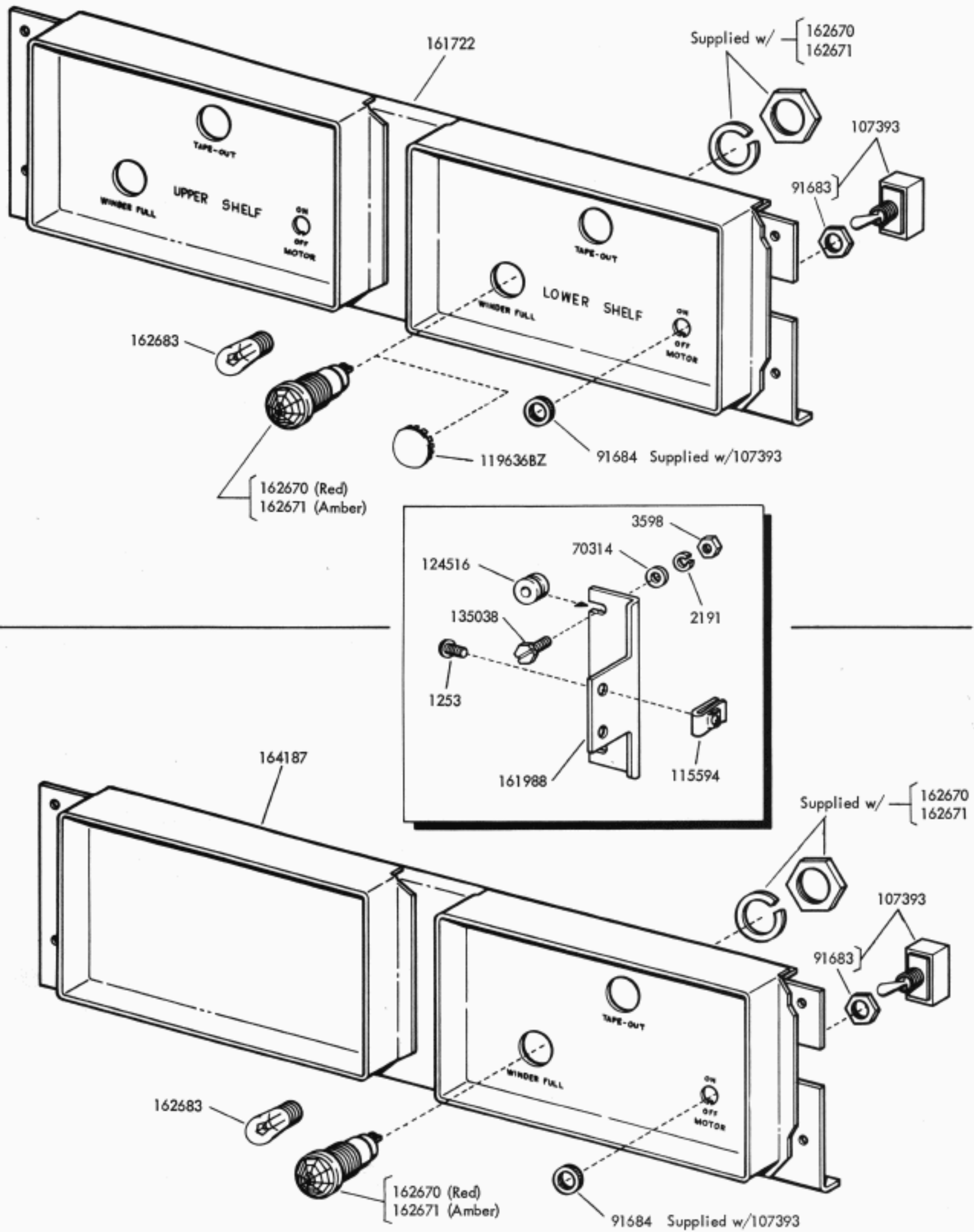


FIGURE 3. CONTROL PANELS

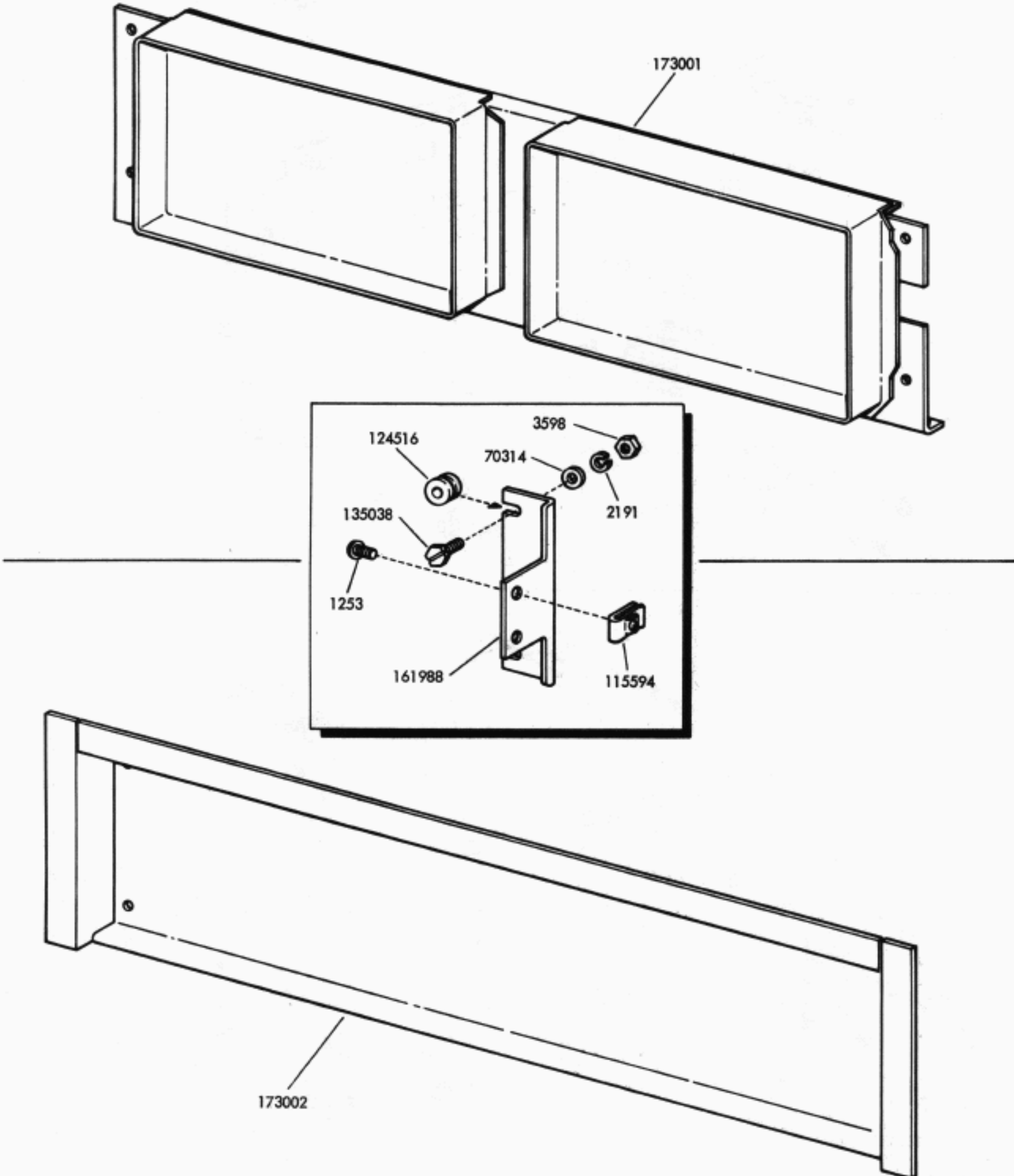


FIGURE 4. CONTROL PANELS

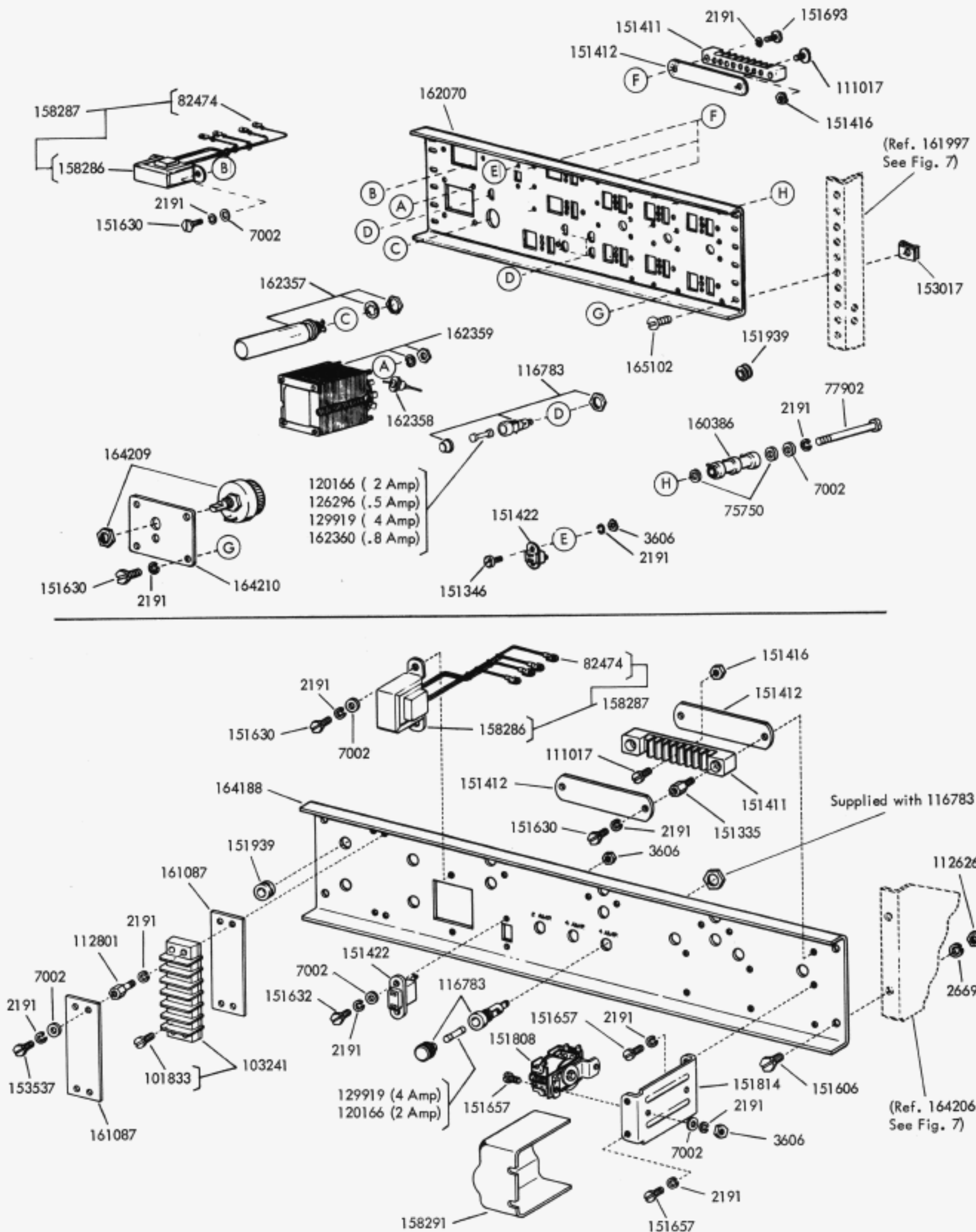


FIGURE 5. CONTROL PLATES

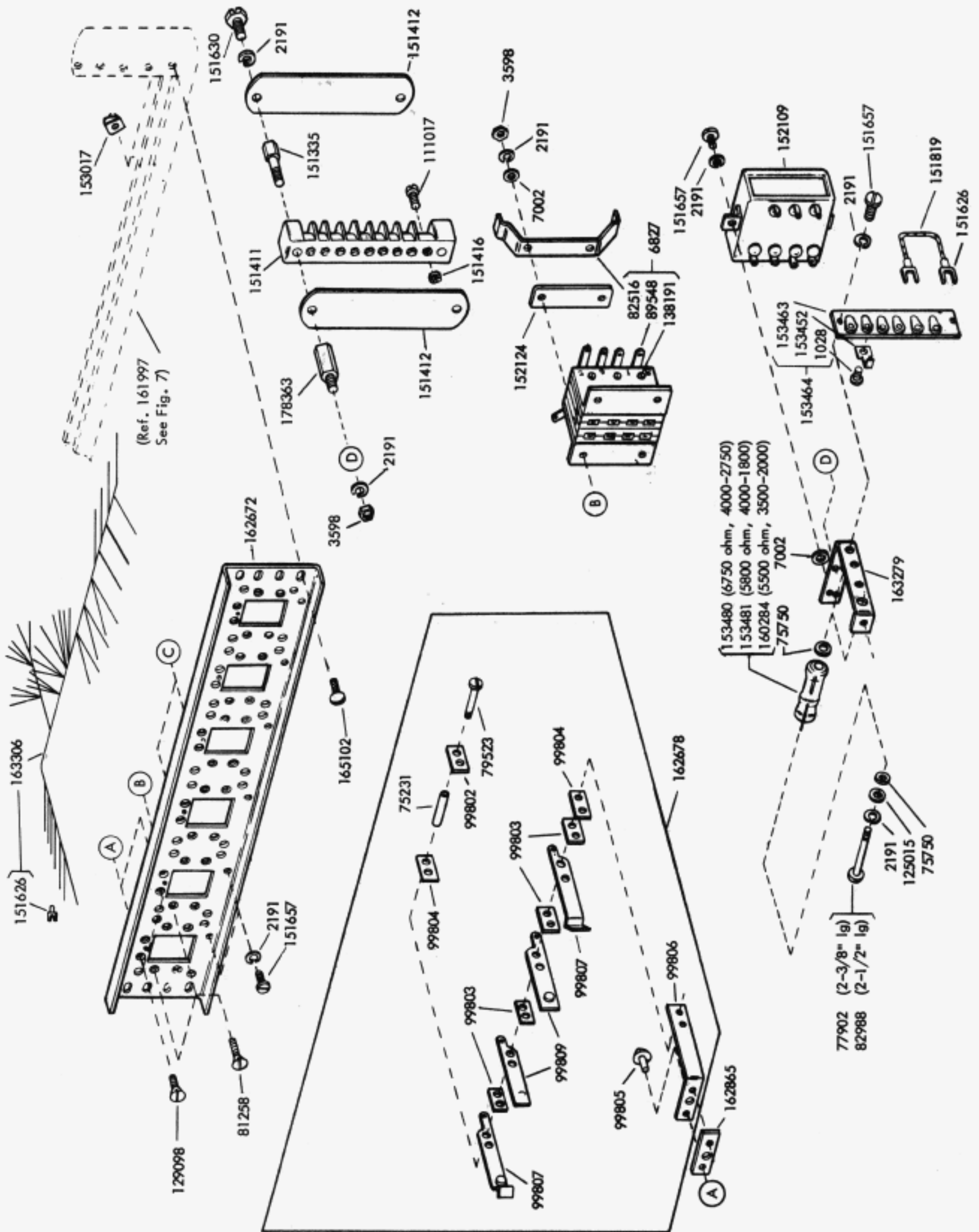


FIGURE 6. CONTROL PLATE

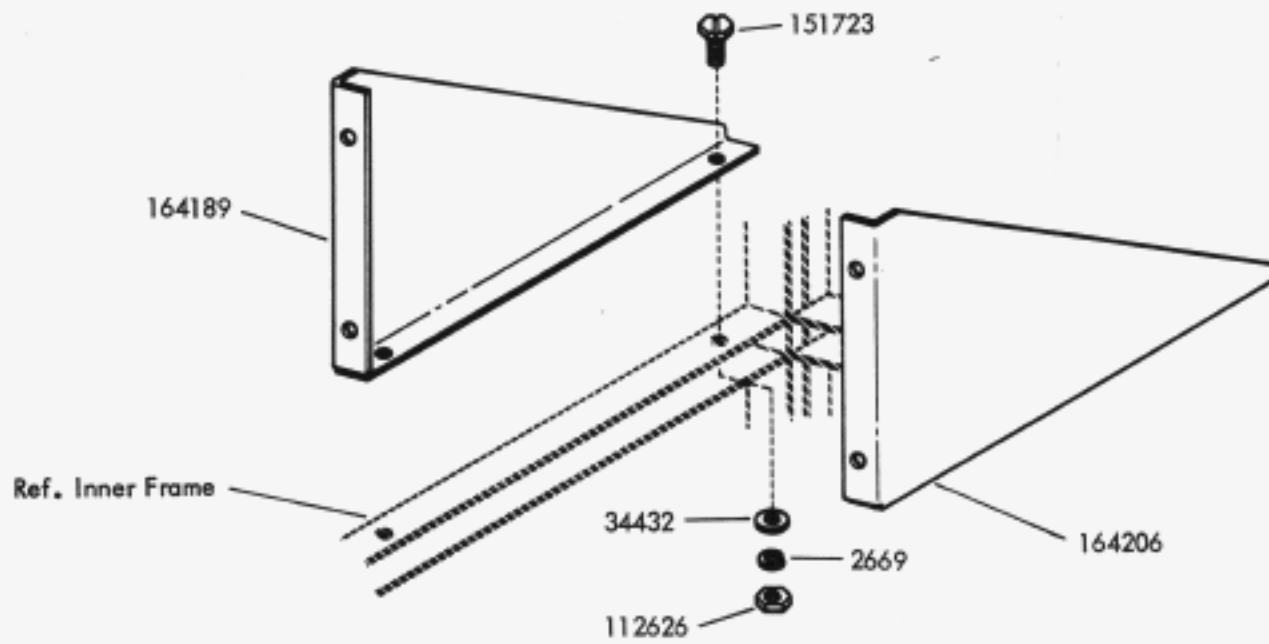
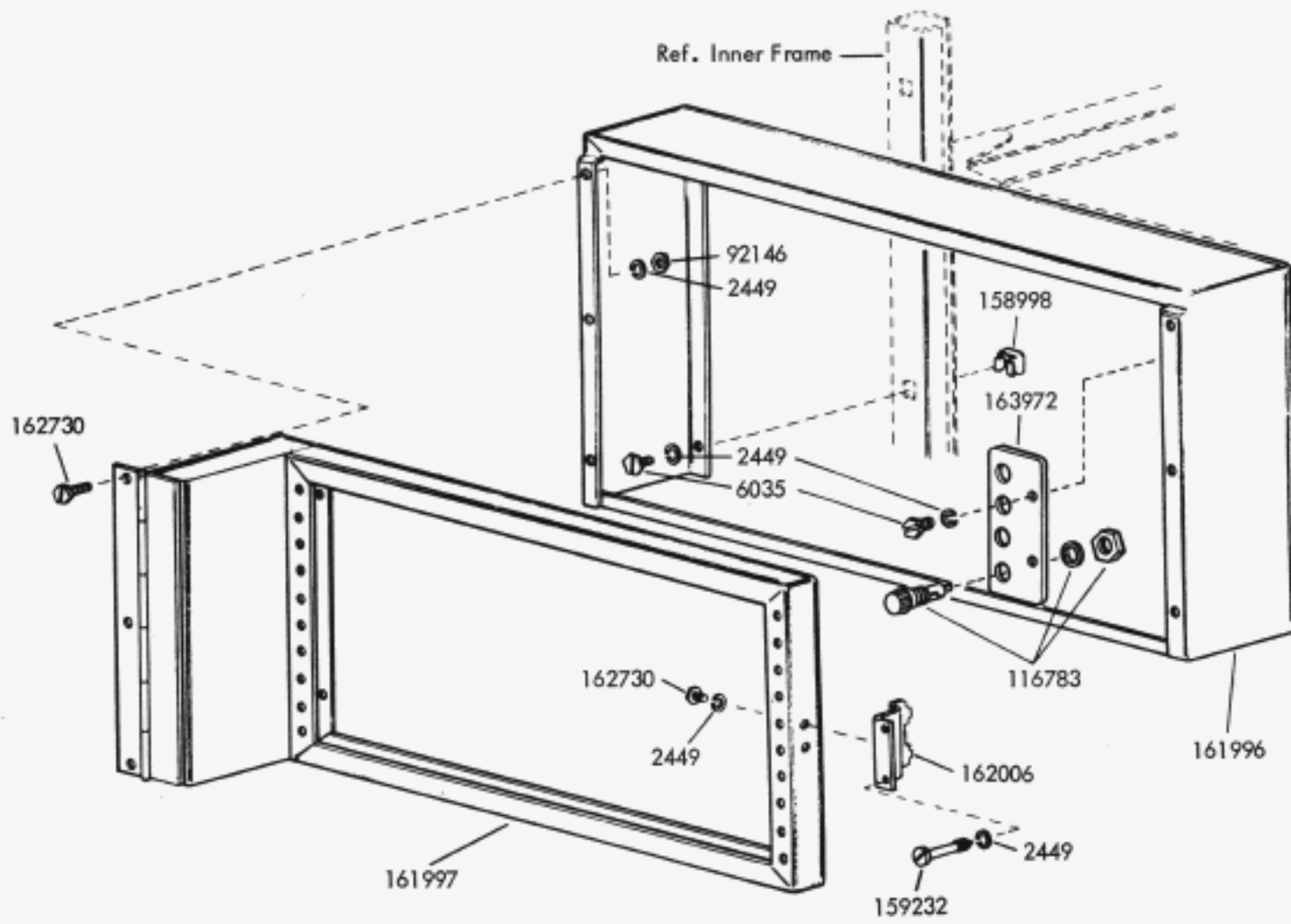


FIGURE 7. CONTROL PLATE MOUNTING PARTS

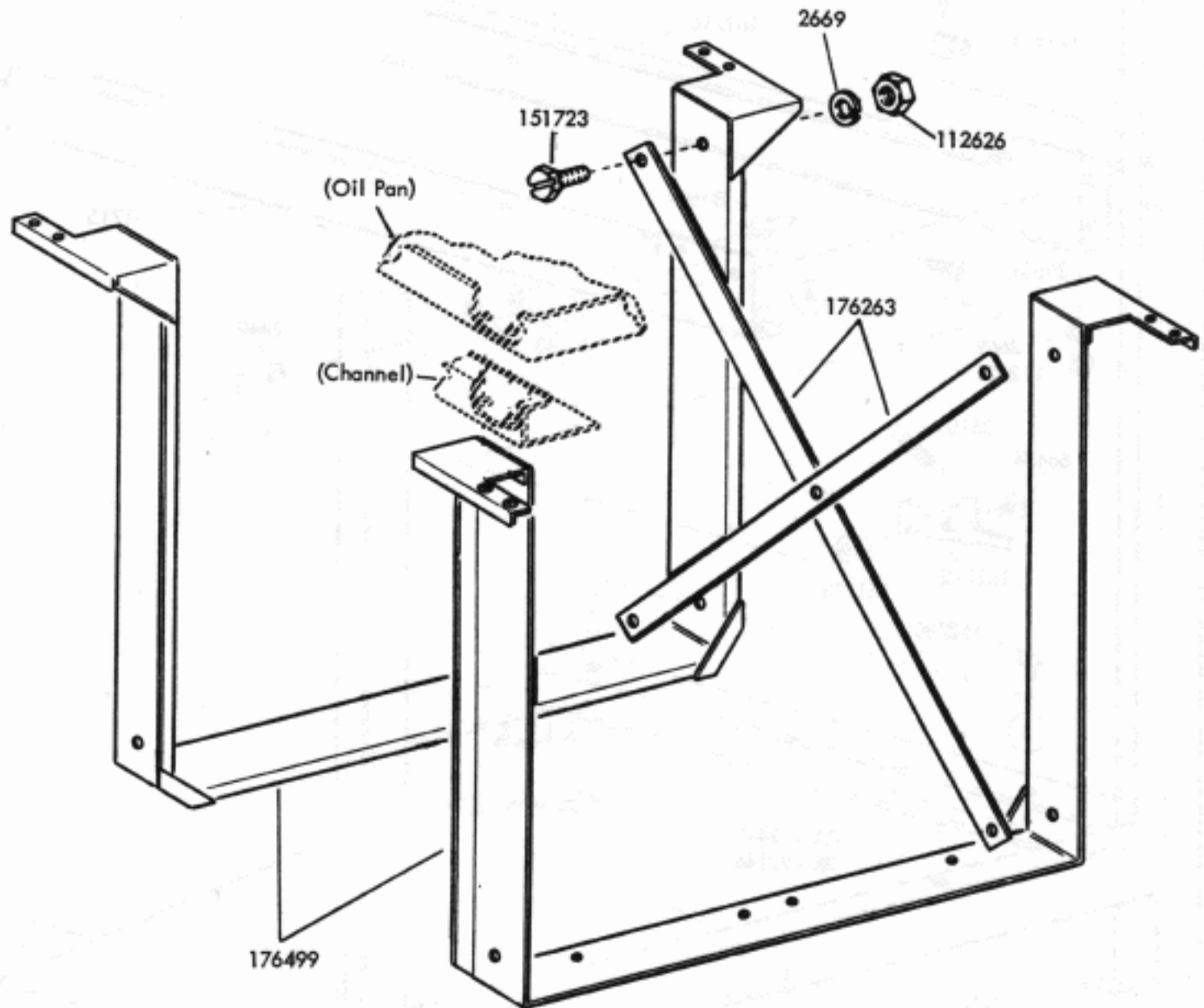


FIGURE 8. TAPE WINDER MOUNTING RACKS

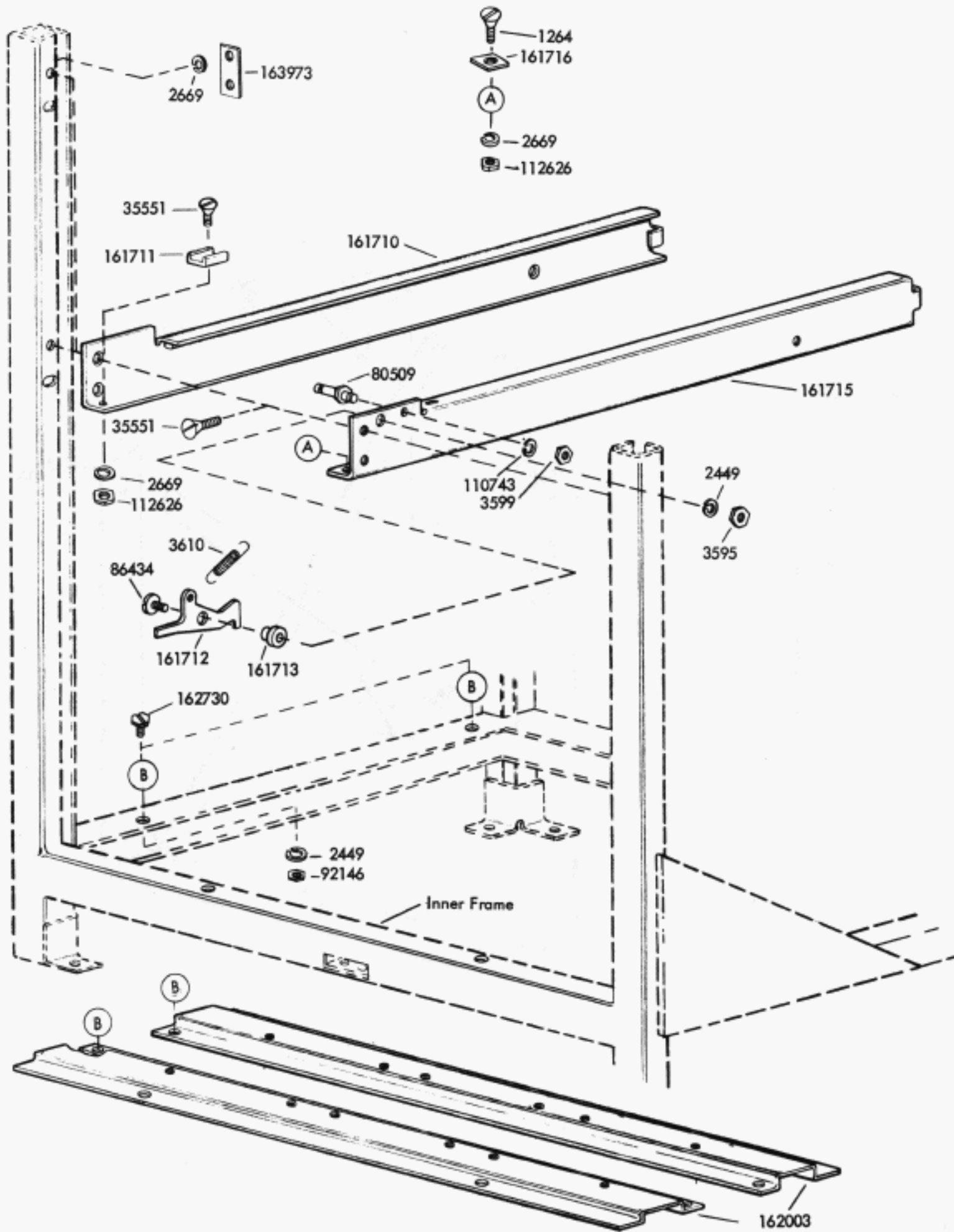
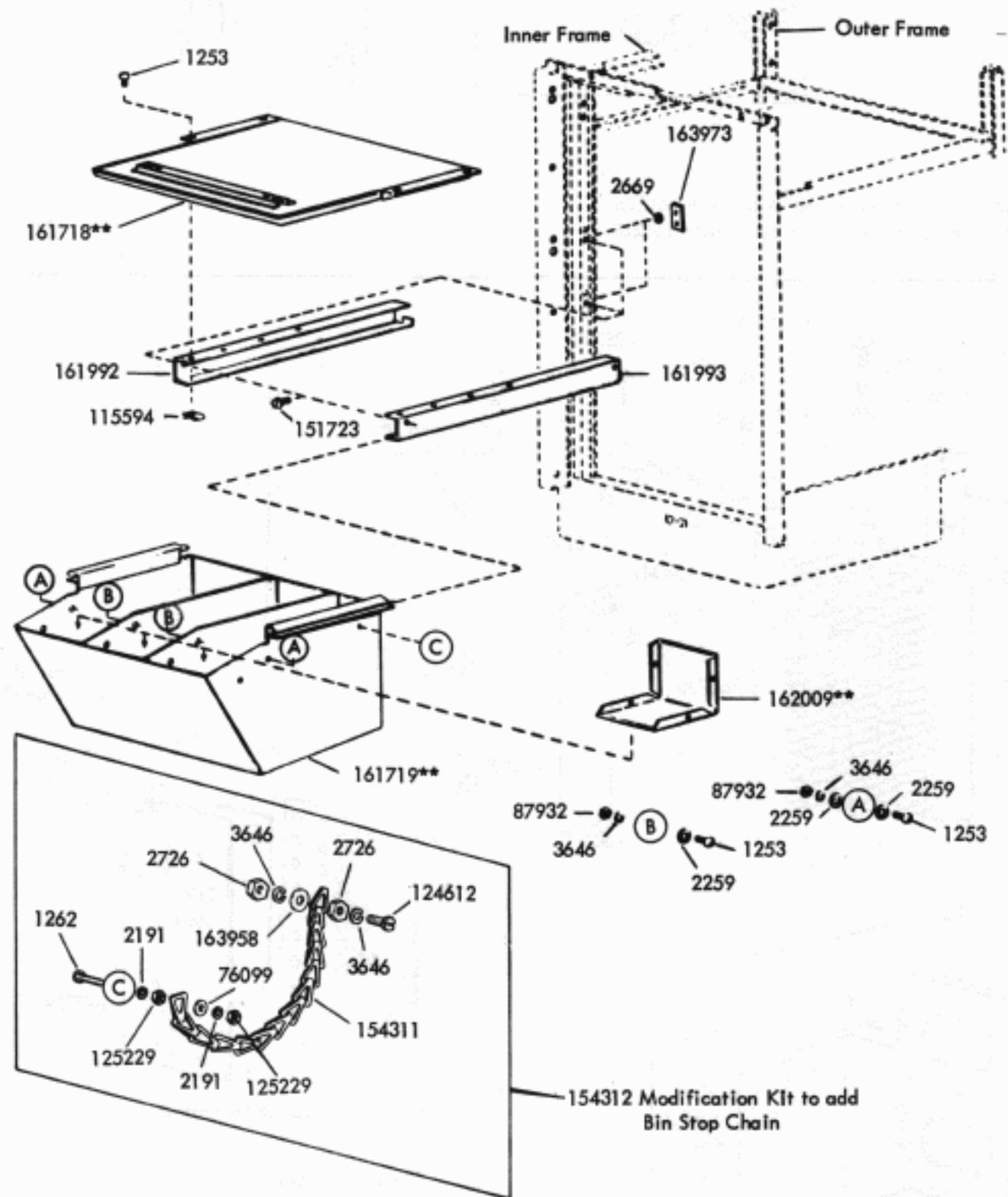
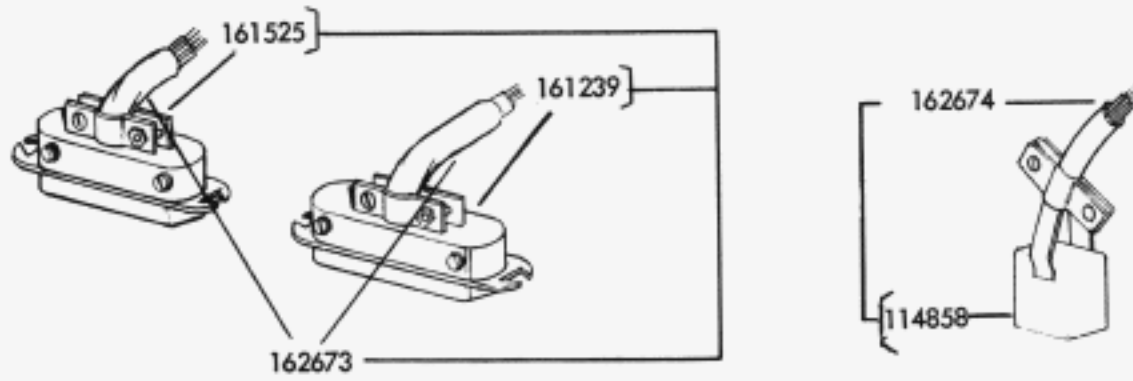


FIGURE 9. CHANNEL ASSEMBLIES



**Refer to page 1 for finish suffix

FIGURE 10. CHANNEL ASSEMBLIES WITH SHELF



Note: 161525 (14 point connector) mates with 161526
 161239 (36 point connector) mates with 161238

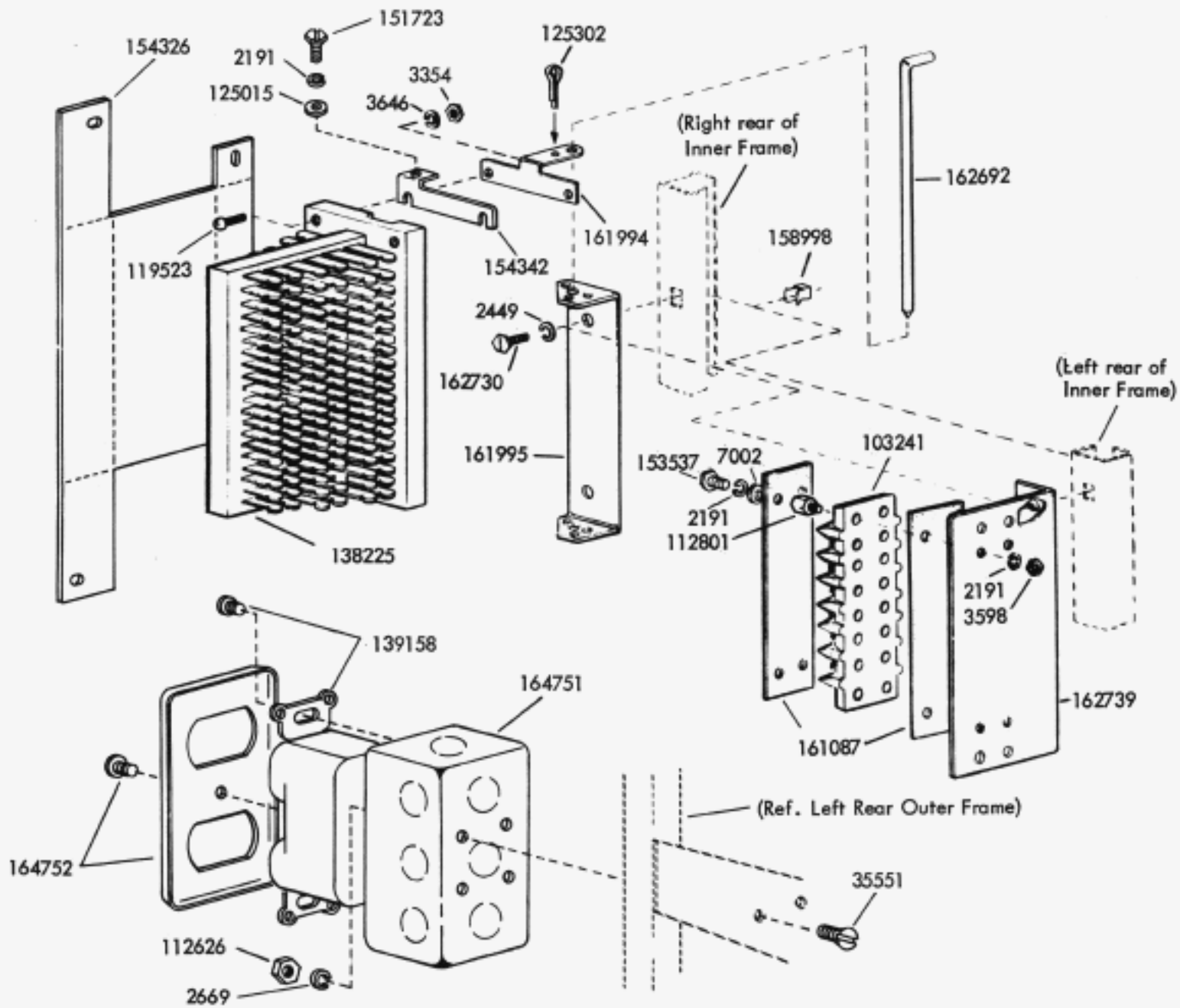
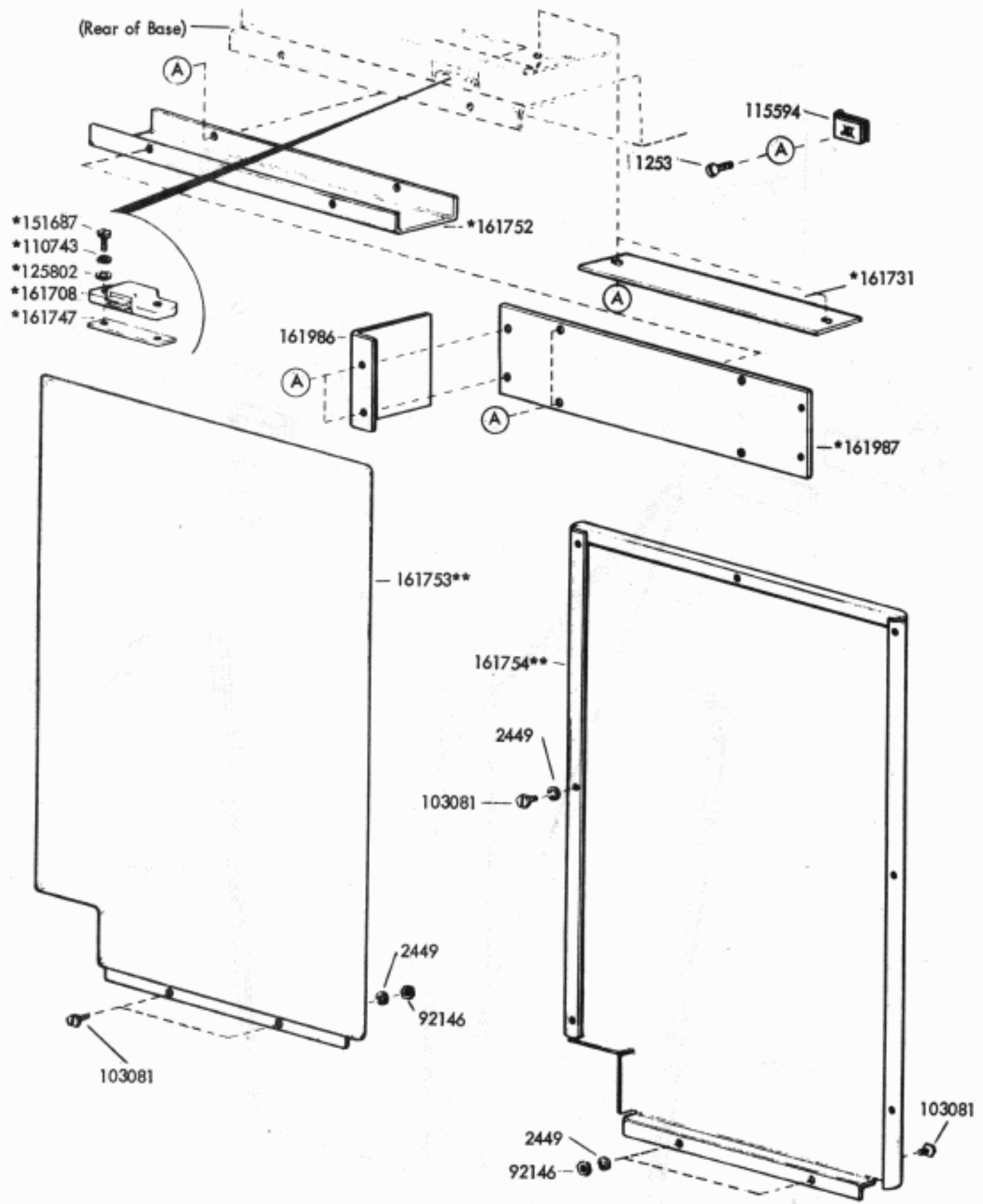
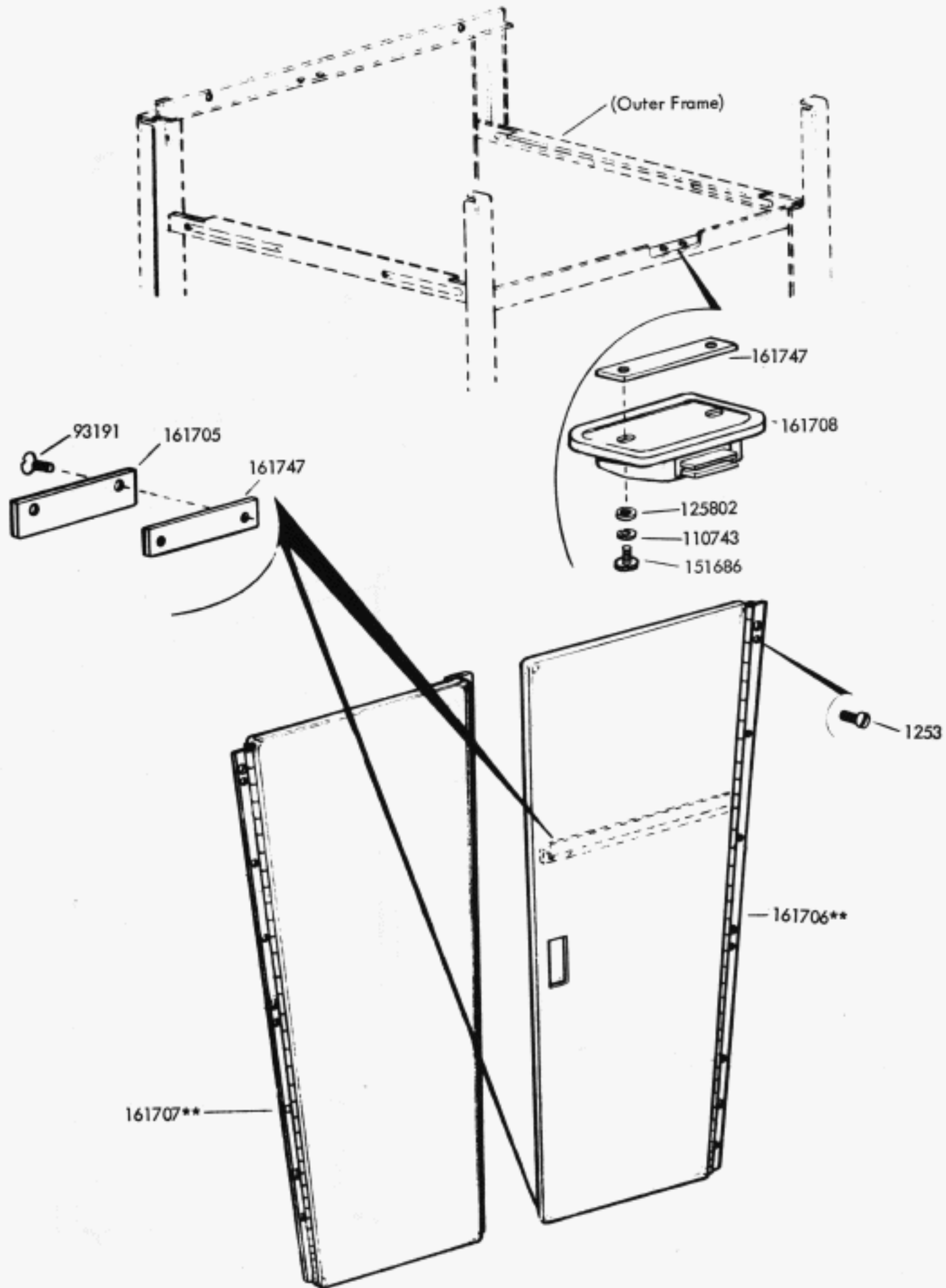


FIGURE 11. TERMINAL BLOCKS AND CABLE ASSEMBLY



*Not part of 161999** Modification Kit
**Refer to page 1 for finish suffix

FIGURE 12. 161999** MODIFICATION KIT TO PROVIDE END ENCLOSURES



**Refer to page 1 for finish suffix

FIGURE 13. REAR DOORS AND LATCH MECHANISM

NUMERICAL INDEX

Part Number	Description and Page Number	Part Number	Description and Page Number	Part Number	Description and Page Number
1028	Screw (4-40 x 1/4 Fil) 7	118865	Cover 2	161703**	Cover, Top 2
1253	Screw (8-32 x 3/8 Rd) 2, 3, 4, 5, 11, 13, 14	119523	Screw (8-32 x 3/4 Rd) 12	161705	Strike, Fastener 2, 14
1262	Screw (6-32 x 5/16 Rd) 11	119636**	Plug, Button 4	161706**	Door, Right Rear 14
1264	Screw (10-32 x 1/2 Flat) 10	120166	Fuse (2 Amp) 6	161707**	Door, Left Rear 14
2191	Washer, Lock 2, 3, 4, 5, 6, 7, 11, 12	121021	Screw (8-32 x 1/2 Hex) 11	161708	Latch, Magnetic 2, 13, 14
2259	Washer, Flat 11	124516	Grommet, Rubber 3, 4, 5	161710	Channel, Left 10
2449	Washer, Lock 8, 10, 11, 12, 13	124612	Screw (8-32 x 1/2 Hex) 11	161711	Block, Guide 10
2669	Washer, Lock 2, 6, 8, 9, 10, 11, 12	125015	Washer, Flat 7, 12	161712	Latch, Lever 10
2726	Nut (8-32 Hex) 11	125229	Nut (6-32 Hex) 11	161713	Bushing, Shoulder 10
3354	Nut (8-32 Hex) 12	125302	Pin, Cotter 12	161715	Channel, Right 10
3595	Nut (1/4-32 Hex) 10	125802	Washer, Flat 2, 13, 14	161716	Block, Support 10
3598	Nut (6-40 Hex) 3, 4, 5, 7, 12	126296	Fuse (.5 Amp) 6	161718**	Shelf 11
3599	Nut (4-40 Hex) 10	129098	Screw (6-40 x 11/32 Flat) 7	161719**	Bin, Tape 11
3605	Nut (5/16-18 Hex) 2	129919	Fuse (4 Amp) 6	161722	Panel, Control 4
3606	Nut (6-40 Hex) 6	135038	Screw (6-40 x 9/16 Hex) 3, 4, 5	161731	Plate, Cover 13
3610	Spring 10	138191	Screw (3-48 x 1" Rd) 7	161740**	Door, Left 2
3646	Washer, Lock 11, 12	138225	Block, Terminal 12	161741**	Door, Left 2
4814	Washer, Lock 2	139158	Connector, Receptacle (Duplex) 12	161742**	Door, Right 2
6035	Screw (1/4-20 x 5/8 Hex) 8	151335	Stud 6, 7	161744**	Door, Right 2
6827	Block 7	151346	Screw (6-40 x 3/8 Fil) 6	161747	Plate, Nut 2, 13, 14
7002	Washer, Flat 6, 7, 12	151411	Block, Terminal 6, 7	161748	Screw (5/16-18 x 5/8 Flat) 2
8185	Screw (1/4-20 x 3/4 Fil) 2	151412	Insulator (1-9) 6, 7	161752	Channel, Duct 13
34432	Washer, Flat 2, 8	151416	Nut (6-40 Hex) 6, 7	161753**	Panel, Left Side 13
35551	Screw (10-32 x 3/8 Flat) 10, 12	151422	Connector, Receptacle (2 Pt) 6	161754**	Panel, Right Side 13
70314	Washer, Flat 3, 4, 5	151606	Screw (10-32 x 1/4 Hex) 6	161909	Socket, Lamp 3
75231	Bushing, Insulating 7	151626	Terminal 7	161986	Cover, Duct 13
75750	Washer, Insulating 6, 7	151630	Screw (6-40 x 1/4 Hex) 2, 6, 7	161987	Plate, Duct 13
76099	Washer, Flat 11	151632	Screw (6-40 x 3/8 Hex) 6	161988	Bracket, Mounting 3, 4, 5
77902	Screw (6-40 x 2-3/8 Rd) 6, 7	151657	Screw (6-40 x 1/4 Fil) 6, 7	161992	Channel, Left Mounting 11
79523	Screw (2-56 x 25/32 Fil) 7	151686	Screw (4-40 x 3/8 Fil) 14	161993	Channel, Right Mounting 11
80509	Post, Spring 10	151687	Screw (4-40 x 7/16 Fil) 2, 13	161994	Bracket, Terminal Block 12
81258	Screw (6-40 x 5/8 Flat) 7	151693	Screw (6-40 x 9/16 Fil) 6	161995	Bracket, Terminal Block 12
82474	Terminal 6	151723	Screw (10-32 x 3/8 Hex) 8, 9, 11, 12	161996	Frame, Mounting 8
82516	Spring, Retaining 7	151808	Relay 6	161997	Frame, Mounting Rack 7, 8
82988	Screw (6-40 x 2-1/2 Rd) 7	151814	Bracket, Relay Mounting 6	161999**	Modification Kit 13
86434	Screw (1/4-32 x 3/4 Fil) 10	151819	Jumper (3" Black) 7	162003	Channel, Front 10
87932	Nut (8-32 Hex) 11	151939	Grommet, Rubber 6	162005	Bracket, Clip 2
89548	Spring, Contact 7	152109	Filter 7	162006	Bracket 8
91683	Nut (15/32-32 Hex) 3, 4	152124	Spacer 7	162009**	Divider, Tape Bin 11
91684	Nut (15/32-32 Ring) 3, 4	152993	Screw, Shoulder (10-32) 2	162070	Plate, Mounting 6
92146	Nut (1/4-20 Hex) 8, 10, 13	153017	Nut, Speed 6, 7	162357	Capacitor (500 MFD) 6
93191	Screw (4-40 x 5/16 Flat) 2, 14	153452	Terminal 7	162358	Diode 6
99802	Plate 7	153463	Block, Terminal 7	162359	Transformer, Power 6
99803	Insulator (.094") 7	153464	Block Assembly, Terminal 7	162360	Fuse (.8 Amp) 6
99804	Insulator (.062") 7	153480	Resistor (6750 Ohm) 7	162670	Light, Red Pilot 3, 4
99805	Plunger 7	153481	Resistor (5800 Ohm) 7	162671	Light, Amber Pilot 4
99806	Bracket 7	153537	Screw (6-40 x 9/32 Hex) 6, 12	162672	Plate, Relay 7
99807	Spring, Contact 7	154311	Chain, Bin Stop (40 Links) 11	162673	Cable Assembly 12
99809	Spring, Contact 7	154312	Modification Kit 11	162674	Cable Assembly 12
101833	Screw (8-32 x 5/16 Fil) 6	154326	Cover, Insulating 12	162678	Contact Assembly, Line Shunt 7
103081	Screw (1/4-20 x 1/2 Fil) 13	154342	Bracket, Insulating Cover 12	162680	Switch, Push 3
103241	Block, Terminal 6, 12	155023	Switch, Toggle (DP-DT) 3	162683	Lamp, Clean Incandescent 3, 4
107393	Switch, Toggle (SP-ST) 3, 4	158286	Transformer 6	162692	Pin, Hinge 12
110743	Washer, Lock 2, 10, 13, 14	158287	Transformer Assembly 6	162730	Screw (1/4-20 x 7/16 Hex) 2, 8, 10, 12
111017	Screw (6-40 x 5/16 Fil) 6, 7	158291	Cover, Relay 6	162739	Bracket, Terminal Block 12
112626	Nut (10-32 Hex) 2, 6, 8, 9, 10, 12	158998	Retainer, Speed Nut 8, 12	162865	Spacer 7
112801	Stud 6, 12	159232	Screw, Captive (1/4-20) 8	163163	Pad 2
114478	Nut (15/32-32 Hex) 3	160284	Resistor (5,500 Ohm) 7	163279	Bracket, Mounting 7
114858	Connector, Receptacle (6 Pt) 12	160386	Resistor (1,000 Ohm) 6	163306	Cable 7
115594	Nut, Speed 3, 4, 5, 11, 13	161087	Insulator (1-6) 6, 12	163958	Washer, Flat 11
116783	Holder, Fuse 6, 8	161215	Lamp, Glow 3	163972	Strip, Fuse Mounting 8
118384	Lens, Clear Indicator Light 3	161238	Connector, Receptacle (36 Pt) 12	163973	Plate, Nut 10, 11
		161239	Connector, Plug (36 Pt) 12	164178	Panel, Control 3
		161525	Connector, Plug (14 Pt) 12	164182	Panel, Control 3
		161526	Connector, Receptacle (14 Pt) 12	164187	Panel, Control 4
				164188	Plate, Control 6

**Refer to page 1 for finish suffix

NUMERICAL INDEX (Continued)

Part Number	Description and Page Number	Part Number	Description and Page Number	Part Number	Description and Page Number
164189	Bracket, Left 8	165102	Screw (12-24 x 3/8 Rd) 6, 7	176492**	Door, Right 2
164206	Bracket, Right 6, 8	173001	Panel, Blank Control 5	176493**	Door, Left 2
164209	Rheostat (350 Ohm) 6	173002	Panel 5	176494	Window 2
164210	Plate, Mounting 6	173025**	Bin, Tape 2	176499	Bracket, Mounting 9
164424	Window 2	173381**	Door, Left 2	178363	Post 7
164751	Box, Junction 12	173382**	Door, Right 2	179179	Bracket 2
164752	Plate, Cover 12	174456	Plate, Nut 2	193855**	Cover W/Clips 2
		176263	Strip 9		