

35 AUTOMATIC SEND-RECEIVE KEYBOARD (LAK)

PARTS

FIGURE	CONTENTS	PAGE	FIGURE	CONTENTS	PAGE
1	Keyboard Base	2	20	144749 and 305634 Bearing	
2	Keyboard Base (Continued)	3		Bracket Assemblies	19
3	198240 Code Reading Contact Assembly	4	21	155990 Character Counter	
4	Function Bail Mechanism	5		Assembly	20
5	Gearsets	6	22	Tape Container	21
6	144770 Intermediate Gear Assembly	6	23	199330 Modification Kit to Provide	
7	326729 Intermediate Gear Assembly	7		Alarm and Don't Answer on	
8	Keyboard Mechanism	8		Low Tape	21
9	Codebar Mechanism (Non-Parity)	9	24	Cable Components	22
10	Codebar Mechanism (Even-Parity)	10	25	Keytops and Keylevers	23
11	Codebars (Even-Parity)	11	26	Keytops (Continued)	24
12	170332 Universal Bail Assembly	12	27	Keytops (Continued)	25
13	Ball Lock Mechanism	12	28	Keytops (Continued)	26
14	Signal Generator Frame Mechanism	13	29	Keytops (Continued)	27
15	Signal Generator Shaft Mechanism	14	30	Keytops (Continued)	28
16	Signal Generator Front Plate		31	154145 Modification Kit to Provide	
	Mechanism	15		Local Reverse Line Feed Mechanism	29
17	Signal Generator Rear Plate		32	199999 Modification Kit to Provide	
	Mechanism	16		Local Back Space Mechanism	29
18	Signal Generator Rear Plate		33	324584 Modification Kit for Signal	
	Contact Mechanism	17		Regenerator	30
19	176352, 197019 and 199070			Numerical Index	31
	Contact Box Assemblies	18			

NOTE: For a Complete List of 35 Keytops
Refer to SECTION 570-020-800TC

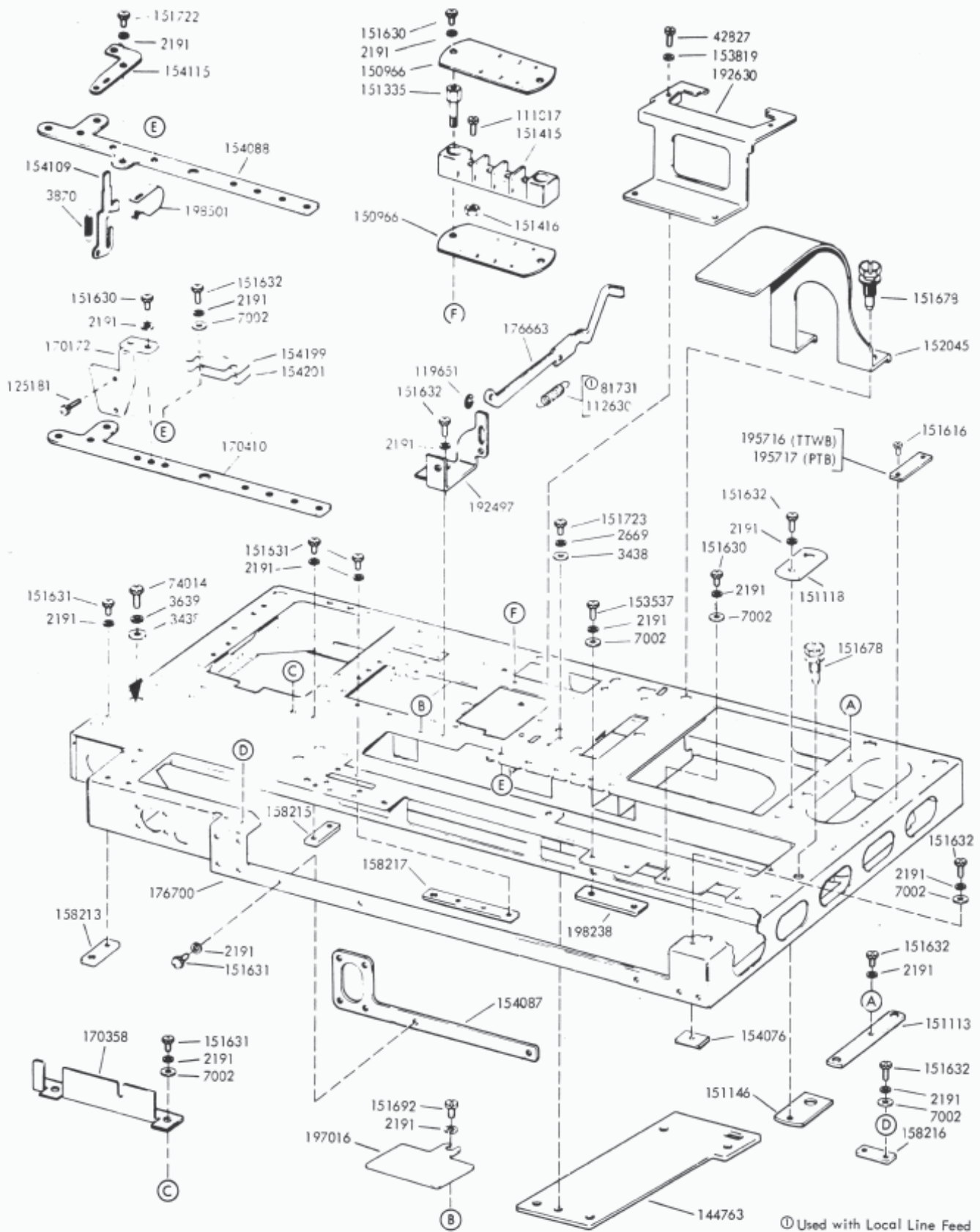


FIGURE 1. KEYBOARD BASE

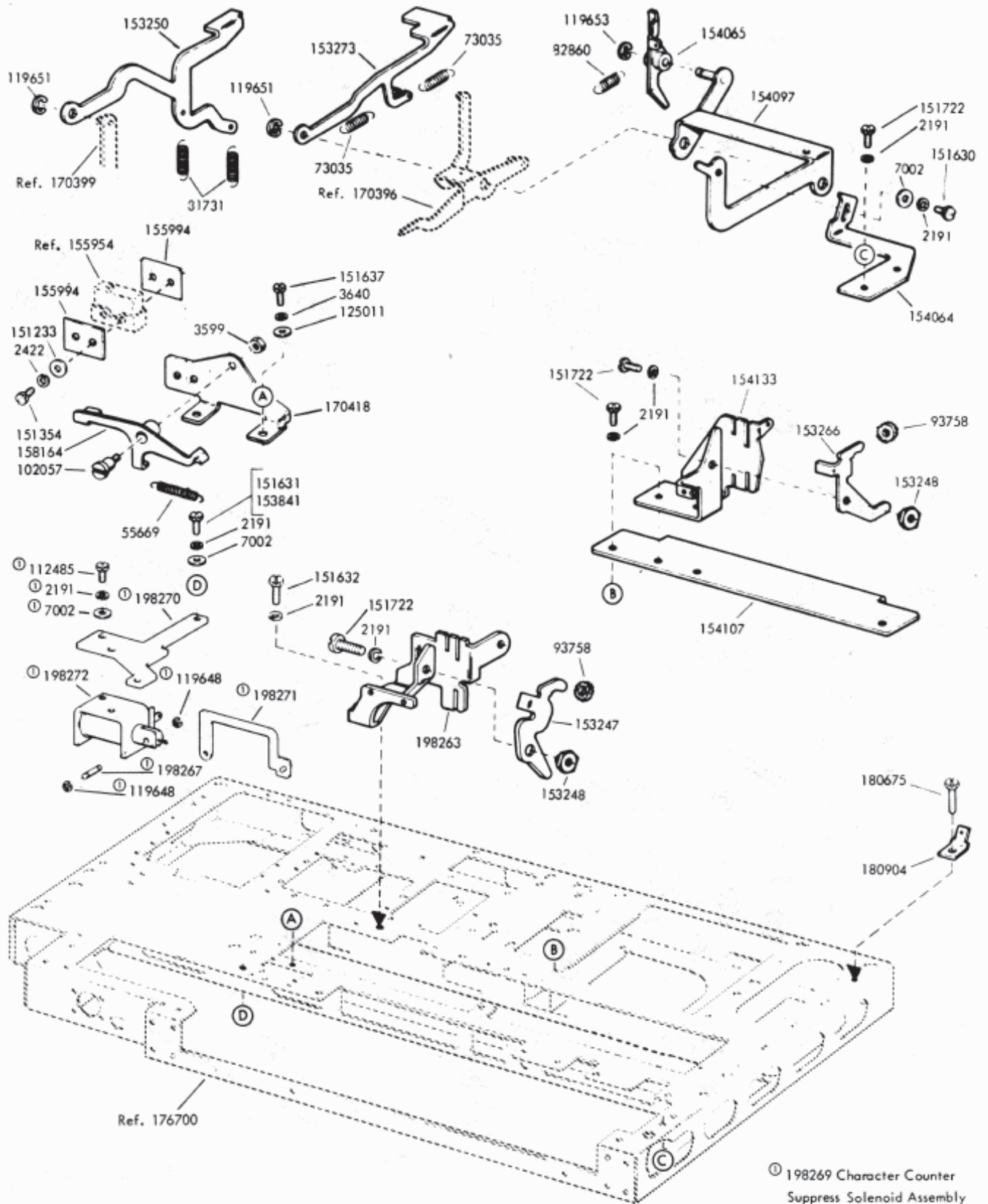


FIGURE 2. KEYBOARD BASE (Continued)

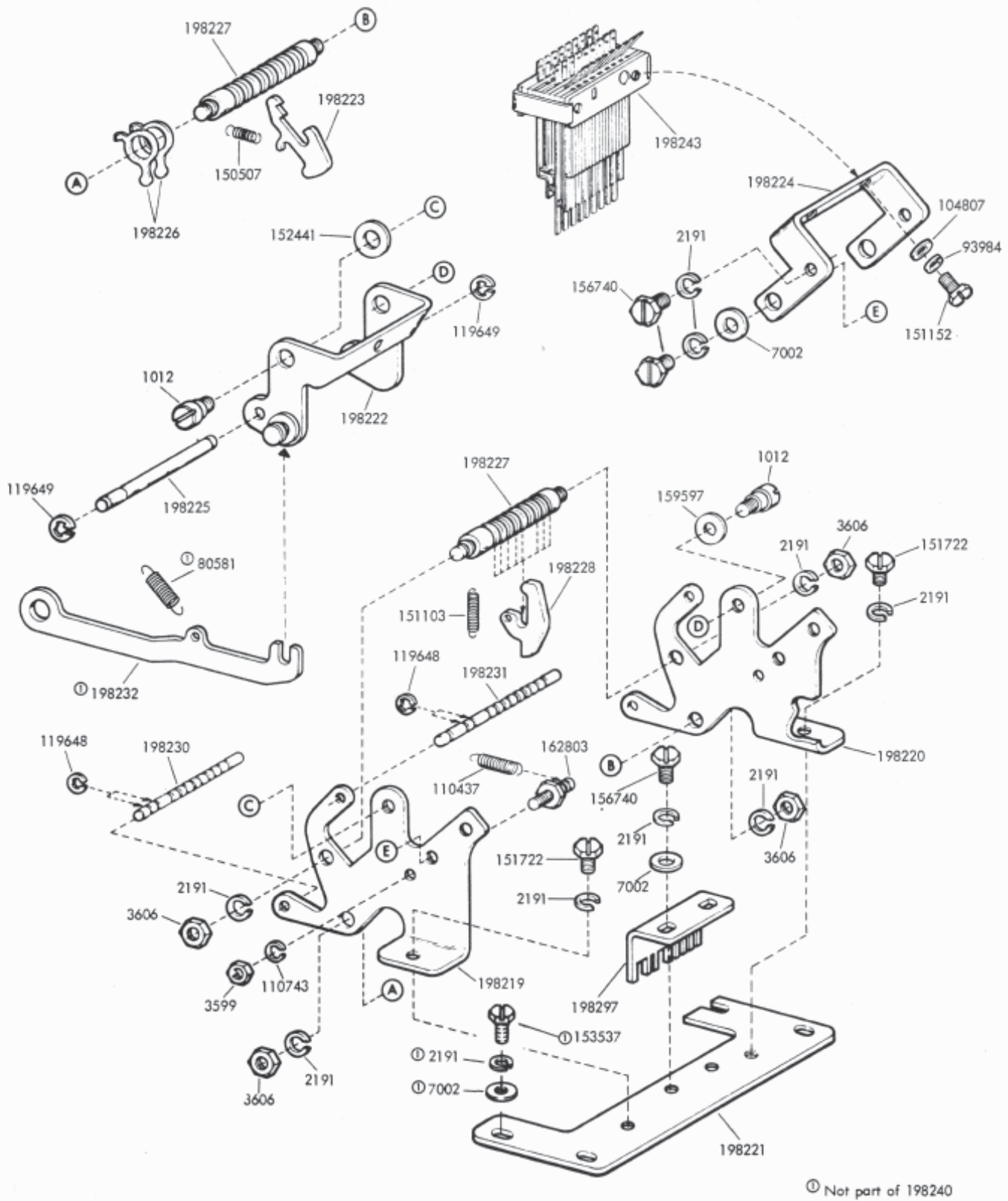


FIGURE 3. 198240 CODE READING CONTACT ASSEMBLY

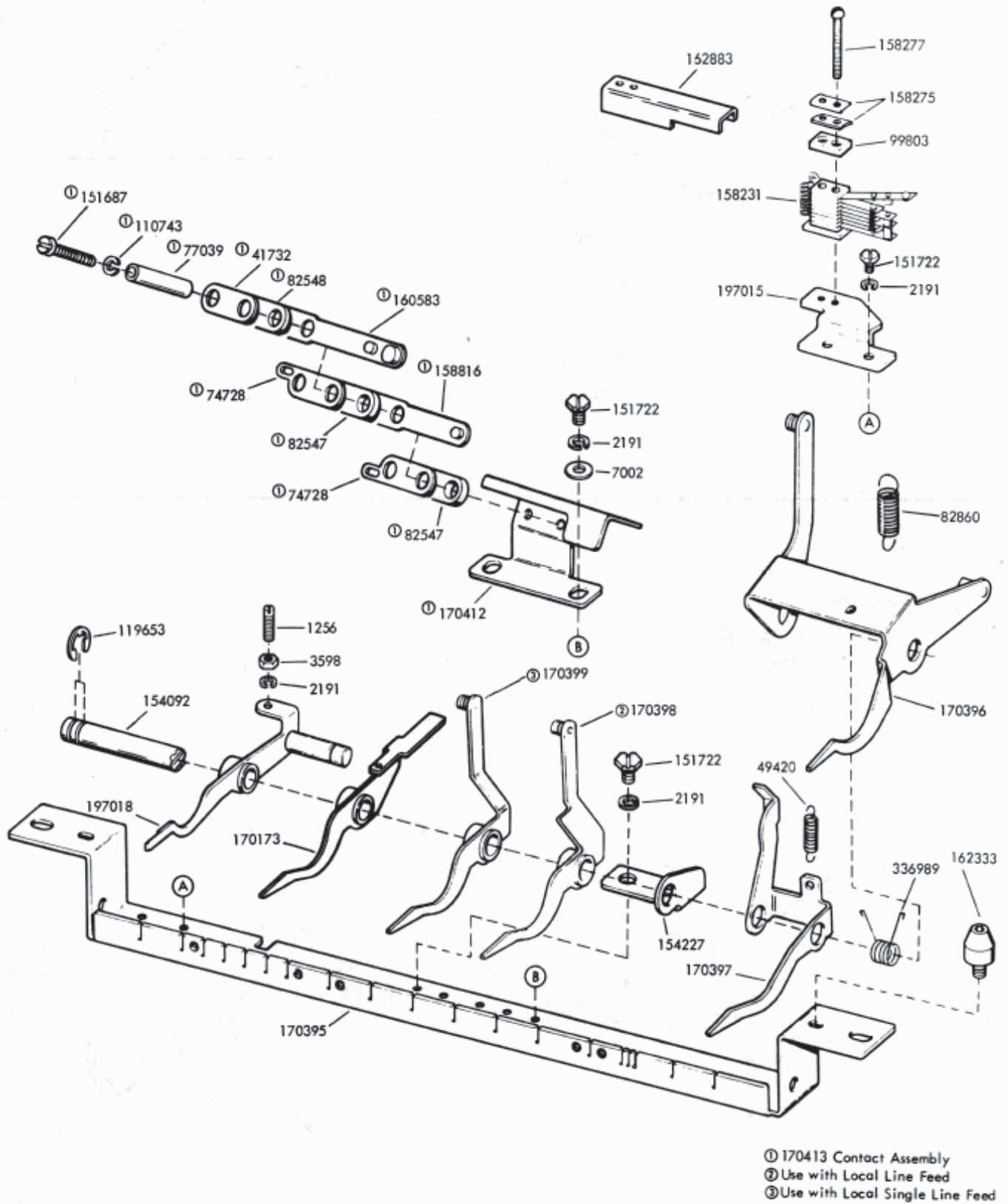
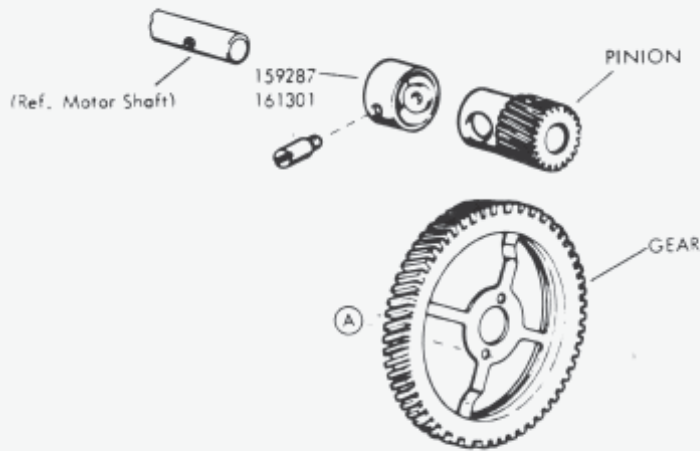
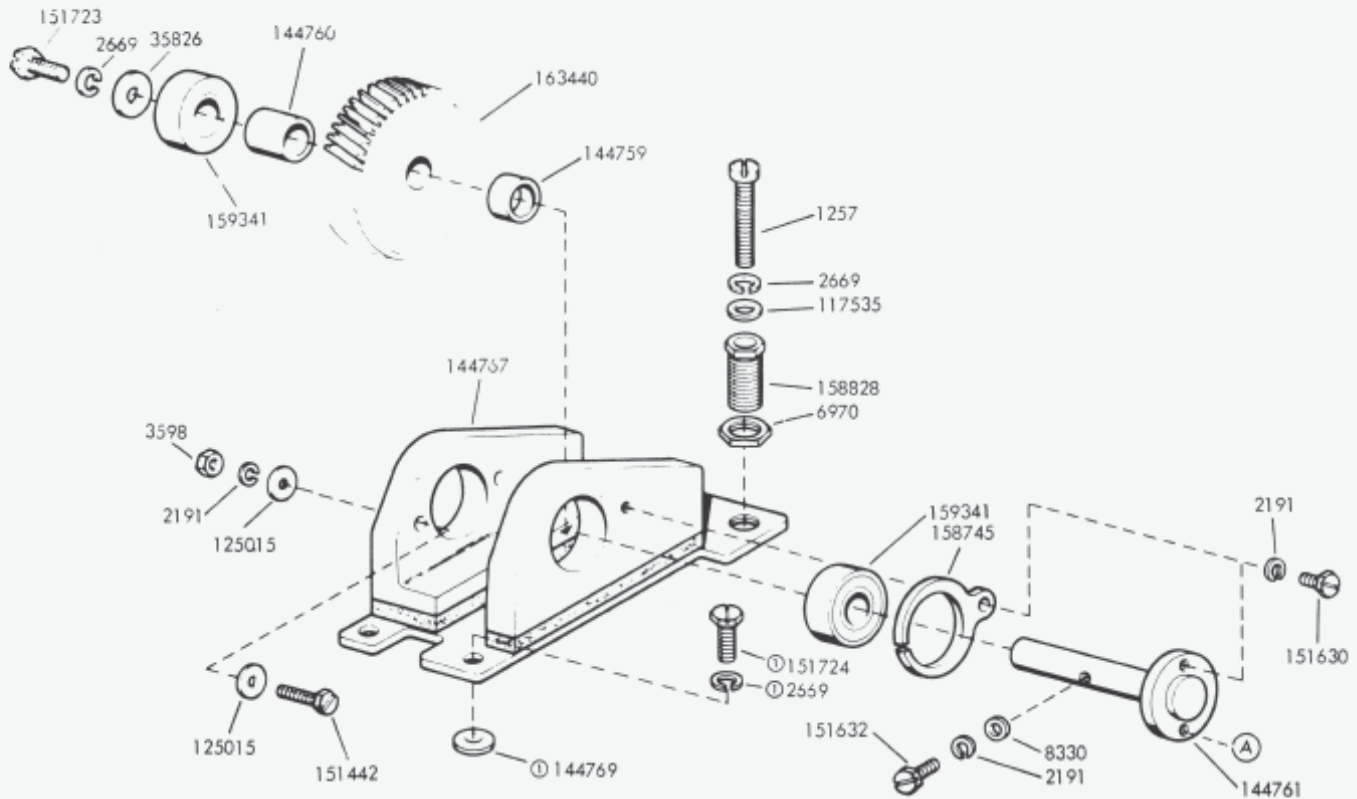


FIGURE 4. FUNCTION BAIL MECHANISM



GEAR CHART				
Gearset	161295	311488	315865	307852
Pinion	159284	311490	315861	307846
Gear	159285	311491	315860	307847
Baud	11.0	73.3	75	11.0
Code	11.00	11.0	11.0	11.0
WPM	100	66.6	68.18	10.0
Hertz	60	60	60	50

FIGURE 5. GEARSETS



ⓐ Not part of 144770

FIGURE 6. 144770 INTERMEDIATE GEAR ASSEMBLY

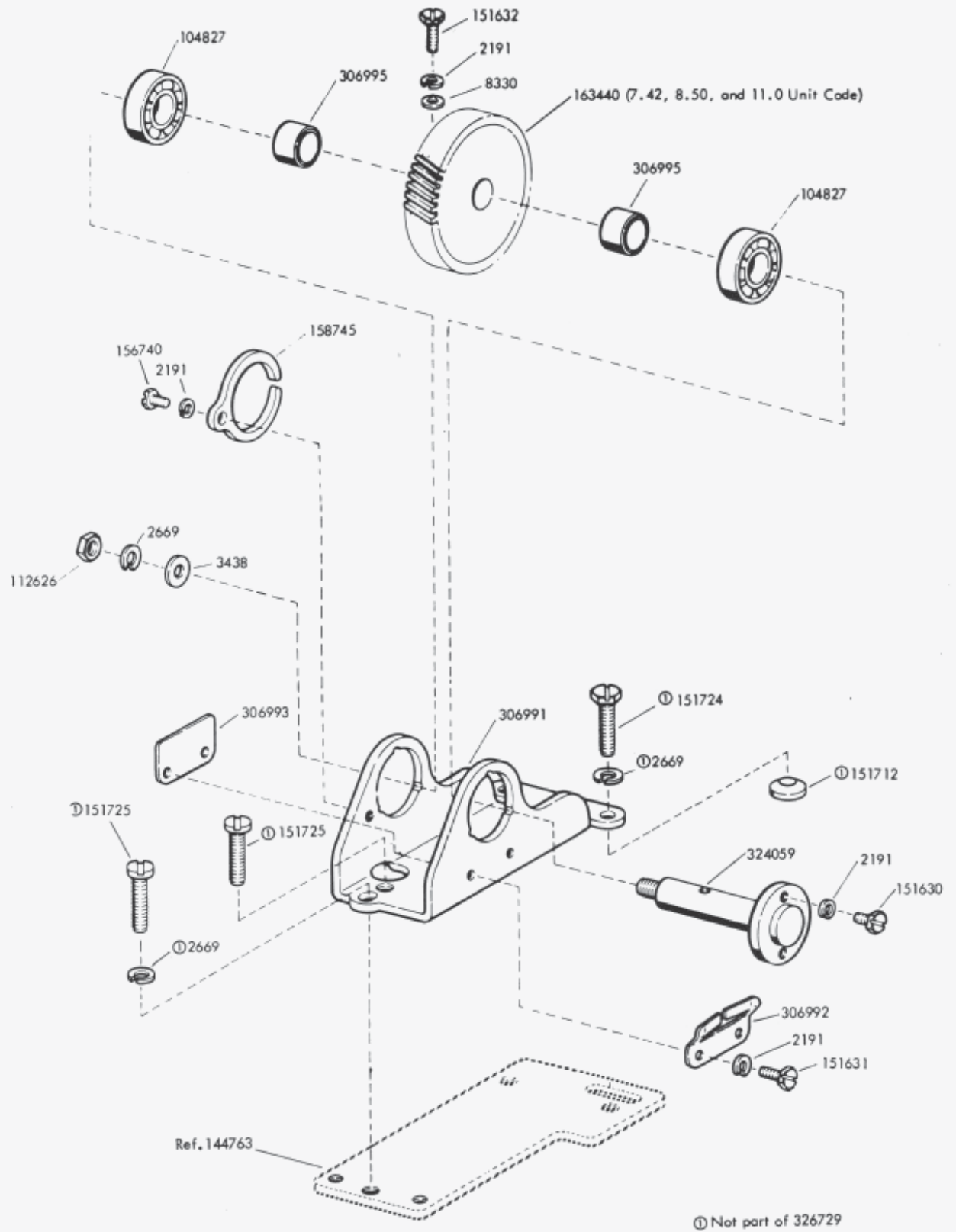


FIGURE 7. 326729 INTERMEDIATE GEAR ASSEMBLY

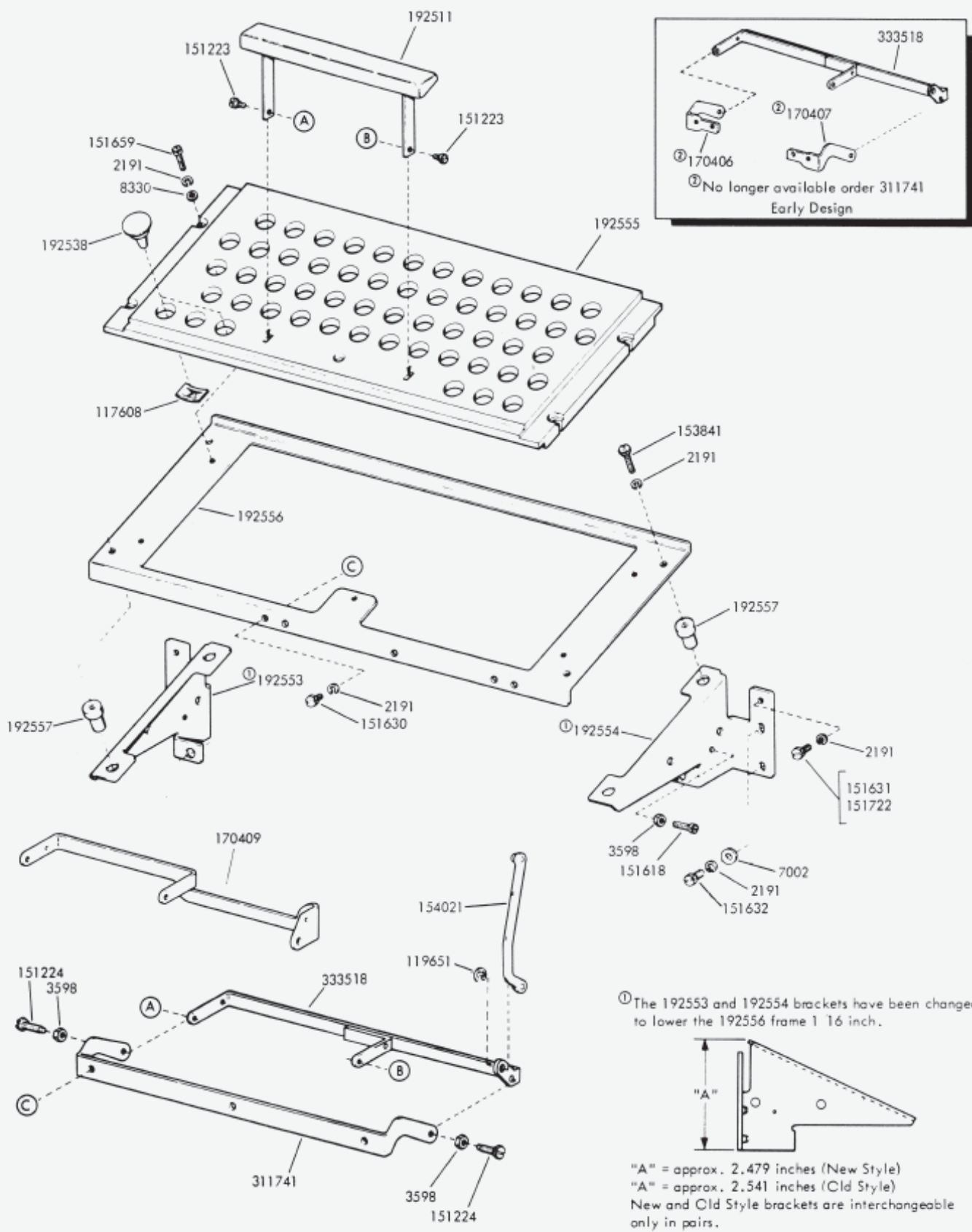


FIGURE 8. KEYBOARD MECHANISM

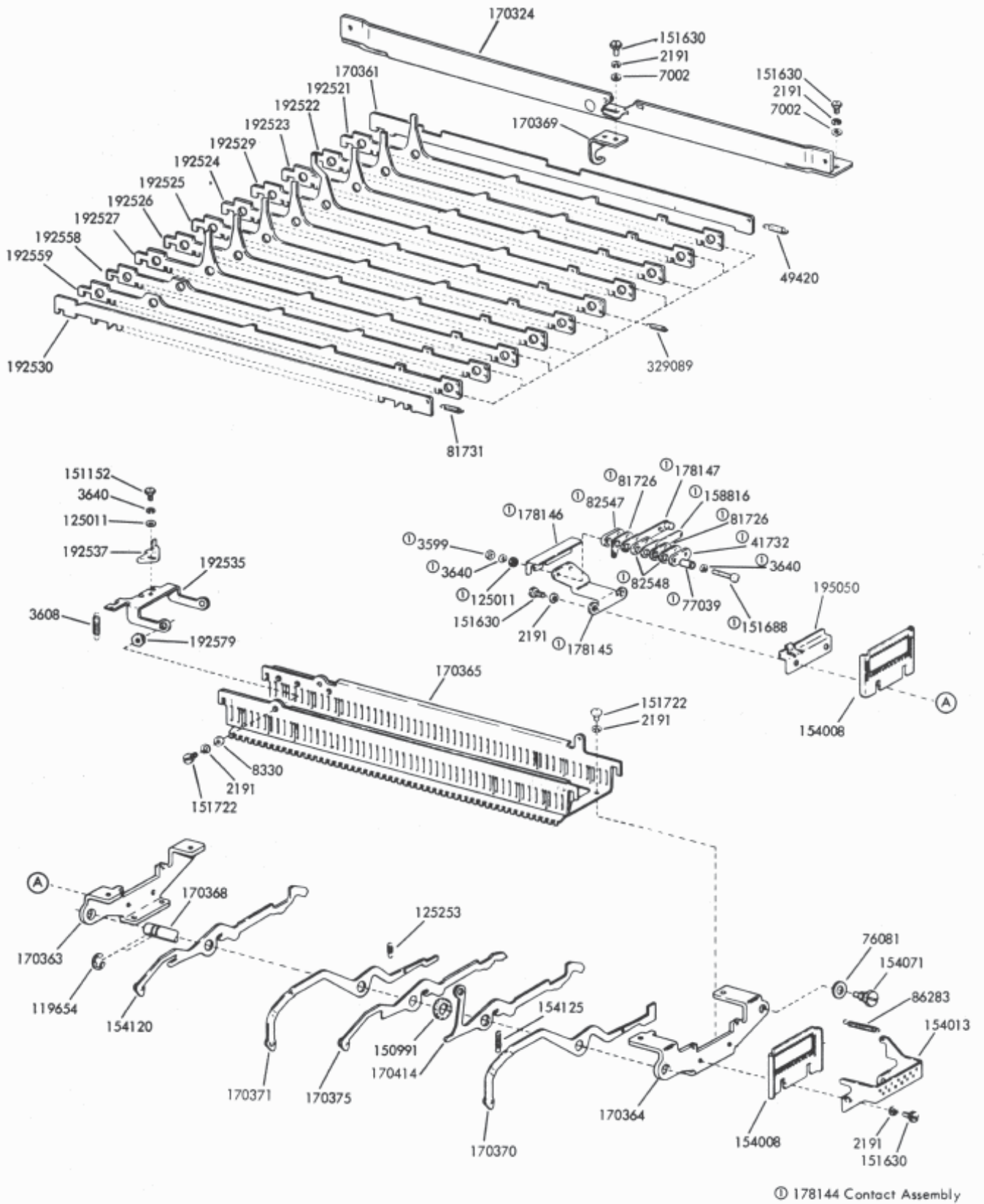


FIGURE 9. CODEBAR MECHANISM (NON-PARITY)

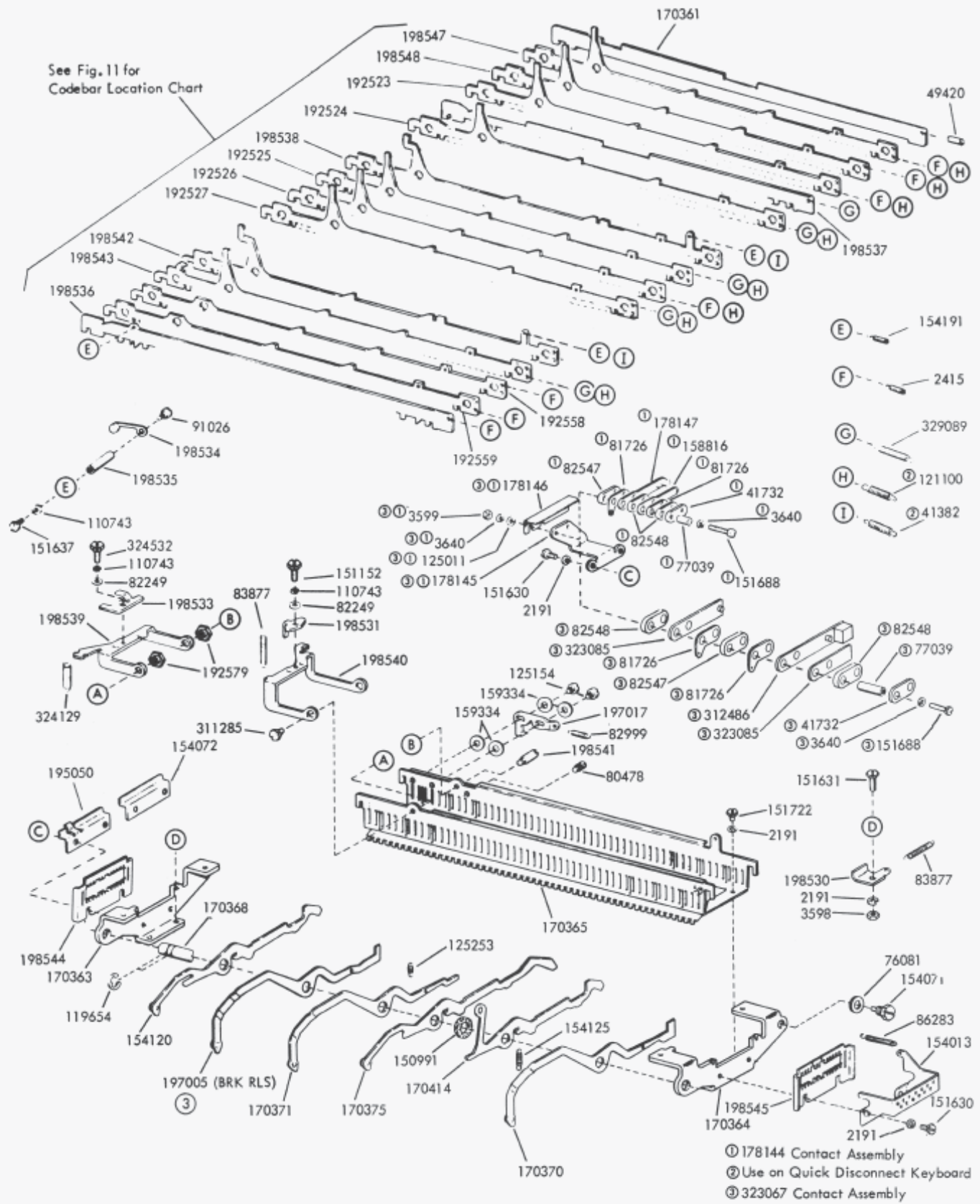
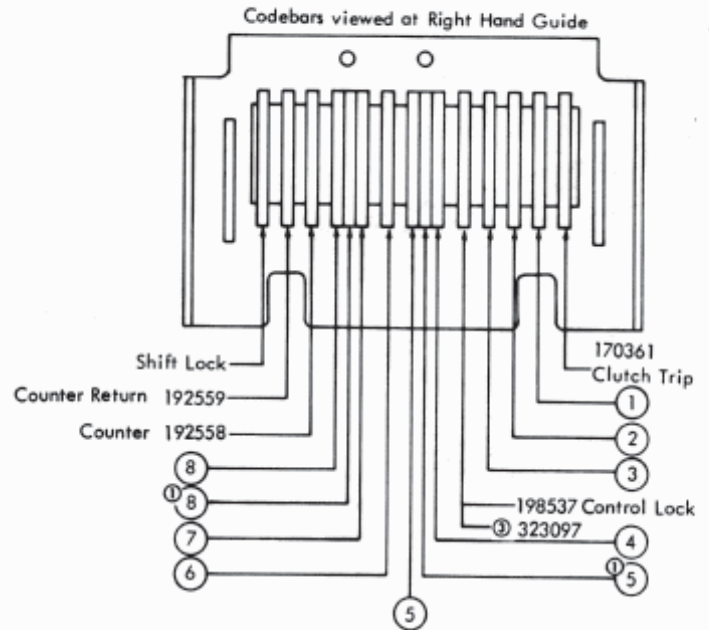
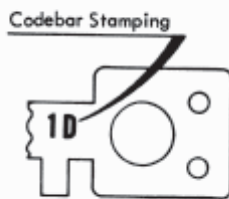
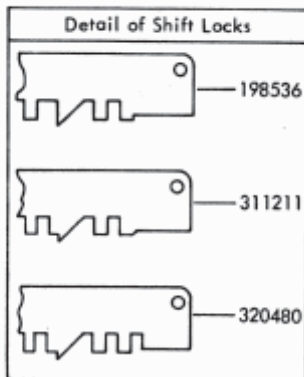


FIGURE 10. CODEBAR MECHANISM (Even-Parity)

Location Chart for Even Parity - Codebars											
Codebar Location	Shift Lock	⑧	①⑧	⑦	⑥	⑤	①⑤	④	③	②	①
Common Code See Figure 10	198536 See Detail Below	198543 (8)	198542 (8I)	192527 (7)	192526 (6)	192525 (5)	198538 (5I)	192524 (4)	192523 (3)	198548 (2A)	198547 (1A)
Escape II	198536 See Detail Below	198543 (8)	198542 (8I)	308431 (7A)	308430 (6A)	192525 (5)	198538 (5I)	192524 (4)	308429 (3A)	198548 (2A)	192521 (1)
S.D.S. Auto. I.D.P. ②	311211 See Detail Below	311208 (8S)	311533 (8U)	311531 (7R)	311201 (1S)	311205 (5S)	311209 (5T)	311202 (2S)	311204 (4S)	311203 (3S)	311206 (6S)
355 Bell System Code											
S.D.S. SIGMA Series	320480 See Detail Below	320478 (8D)	324580 (8L)	320476 (6D)	320477 (7D)	320475 (5D)	320479 (5E)	320474 (4D)	320473 (3D)	320472 (2D)	320471 (1D)



① Inversion

② Used with Character Counter

③ Used with 323067 Contact Assembly (Figure 10)

FIGURE 11. CODEBARS (Even-Parity)

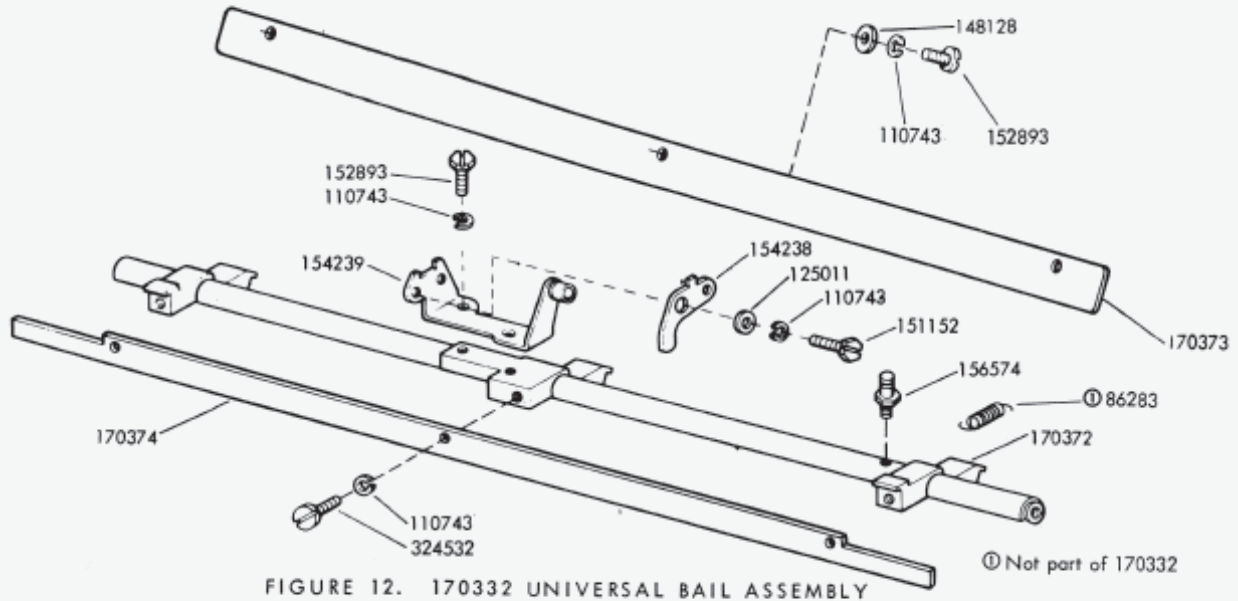


FIGURE 12. 170332 UNIVERSAL BAIL ASSEMBLY

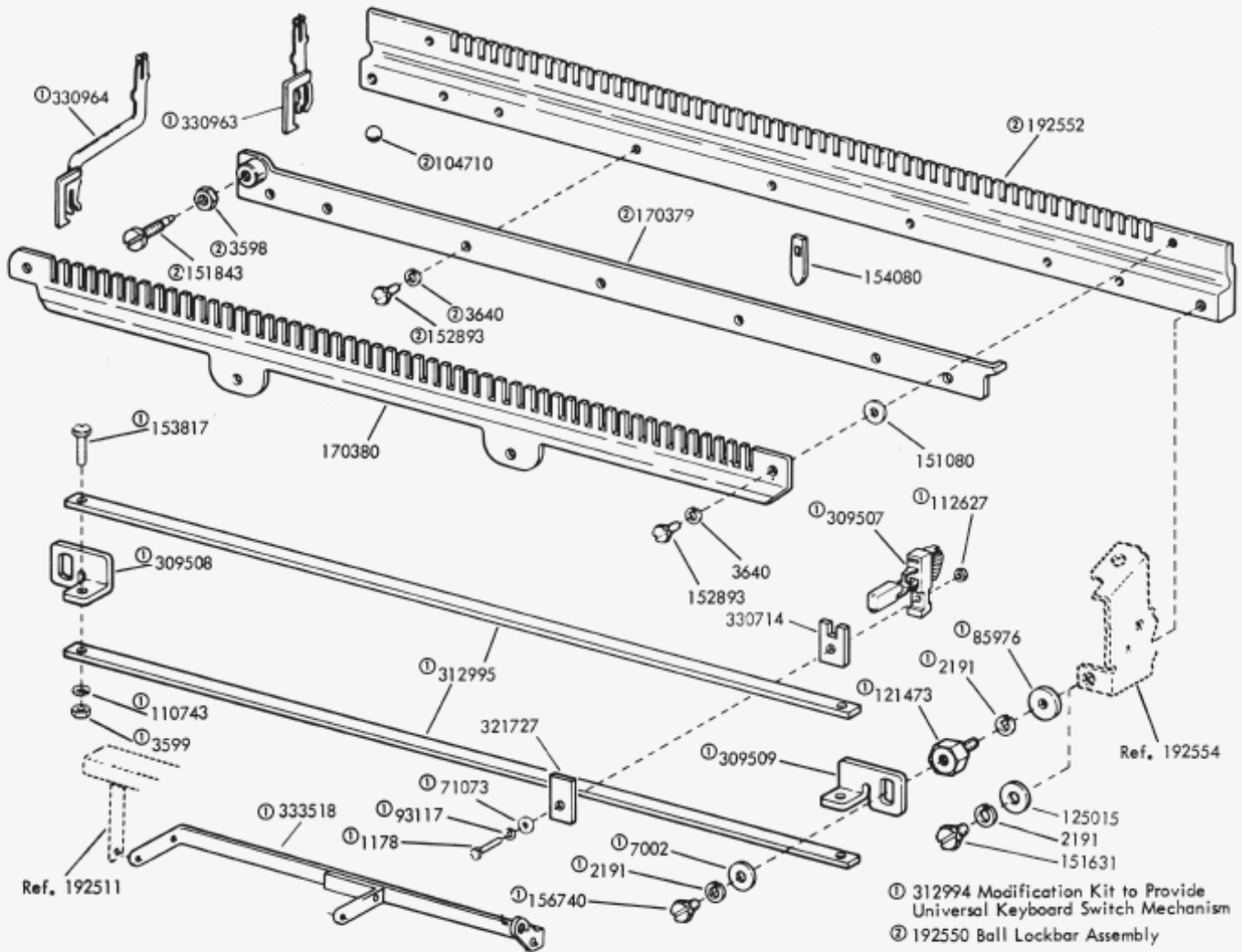


FIGURE 13. BALL LOCK MECHANISM

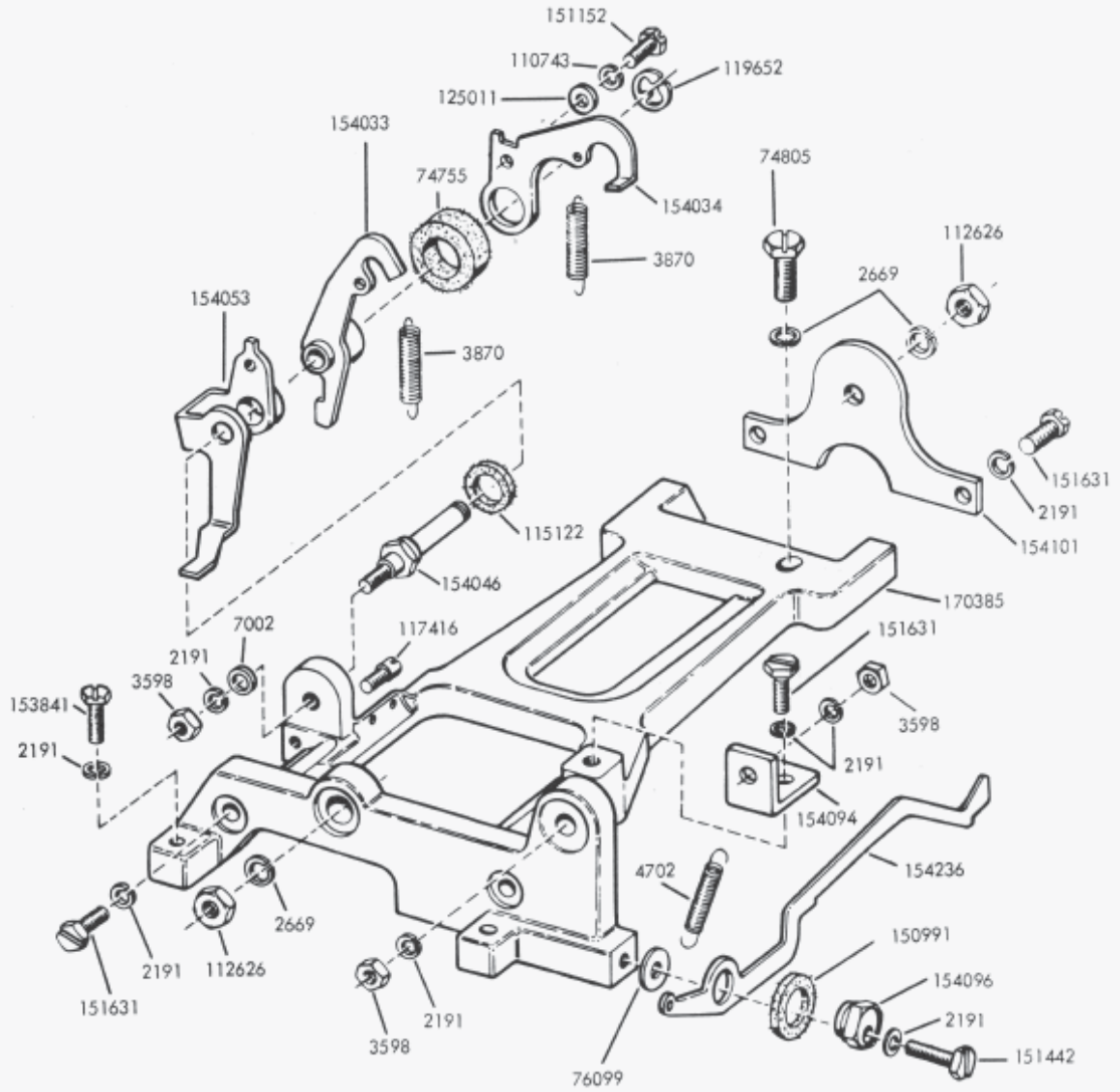


FIGURE 14. SIGNAL GENERATOR FRAME MECHANISM

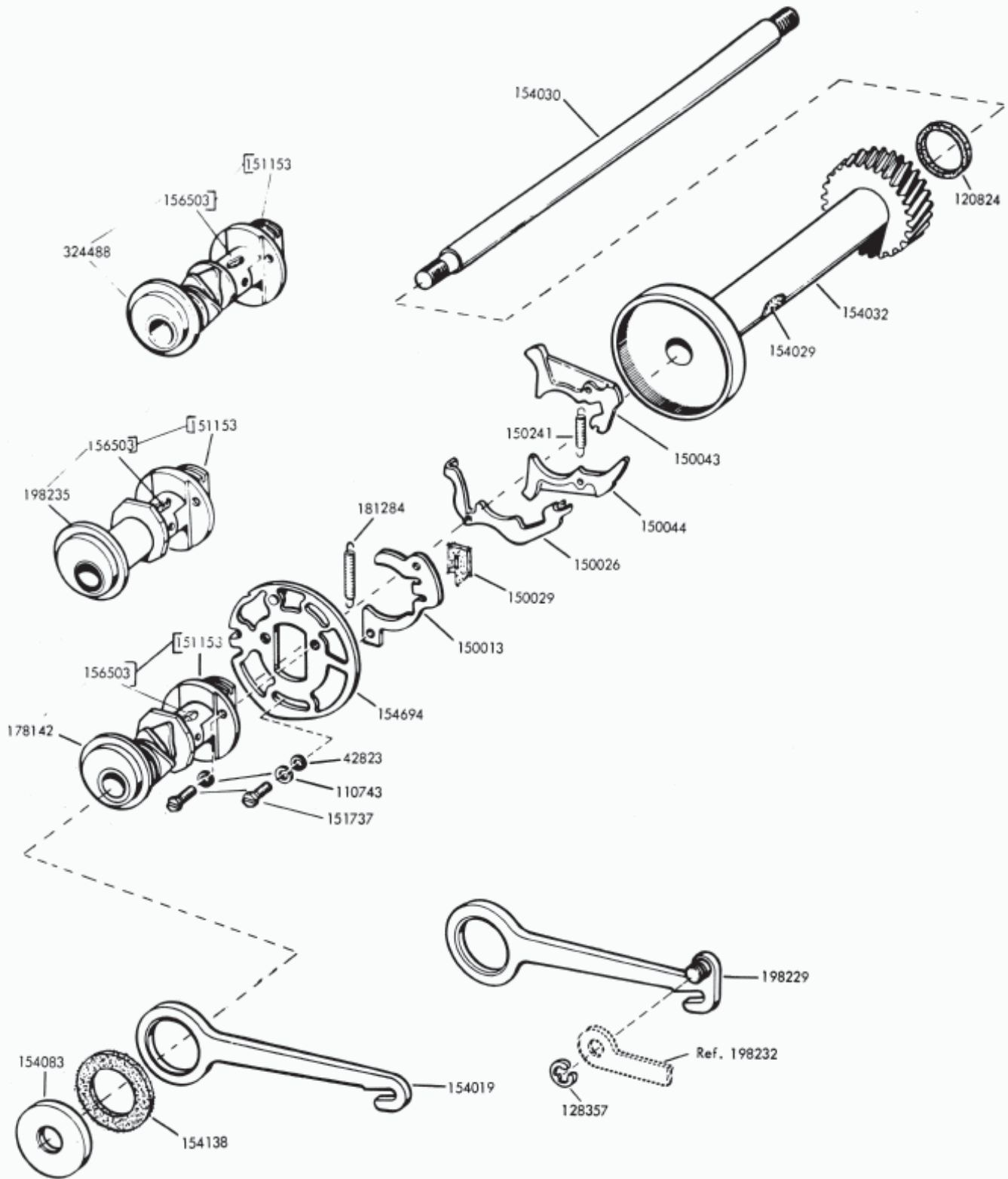


FIGURE 15. SIGNAL GENERATOR SHAFT MECHANISM

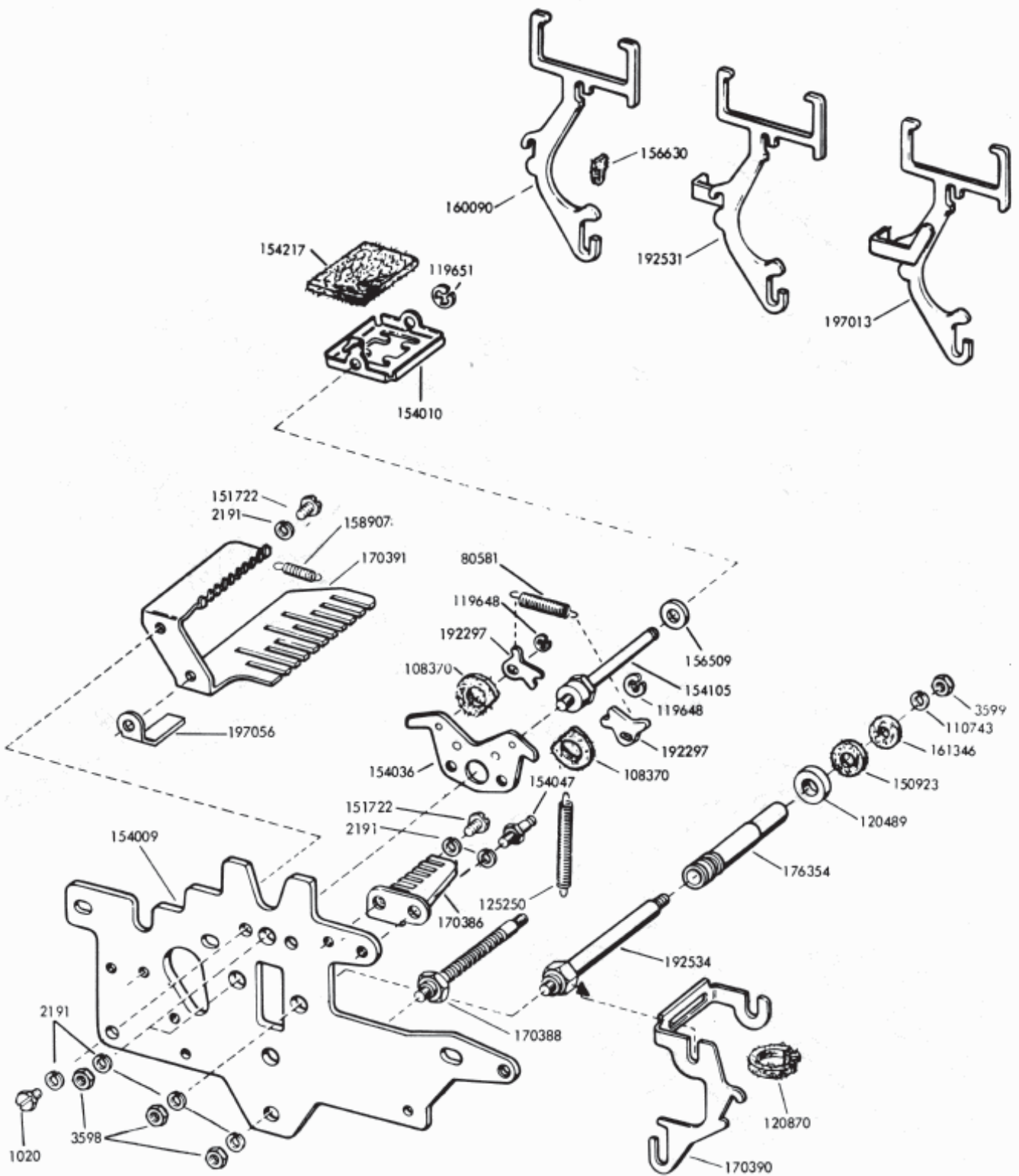
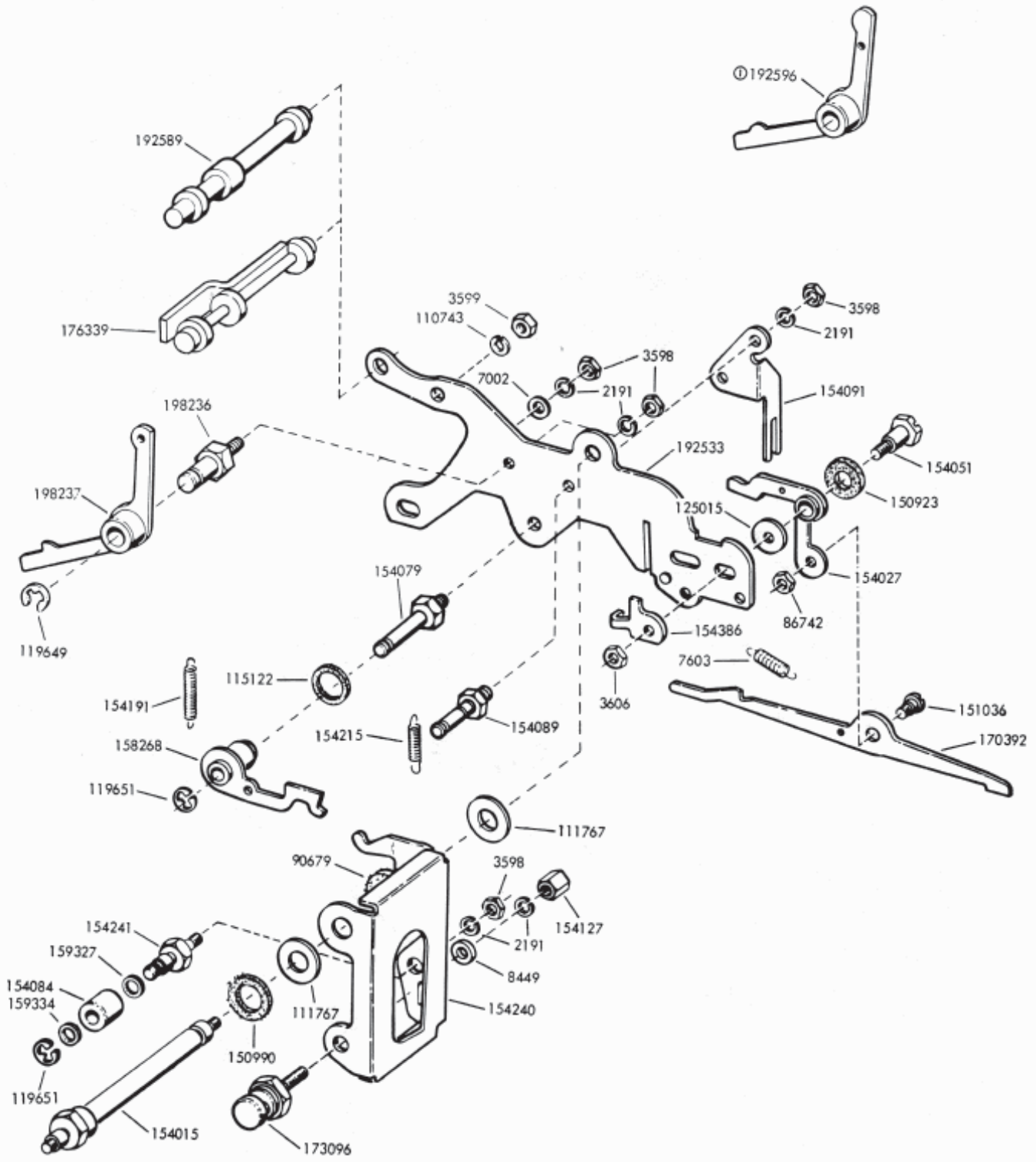


FIGURE 16. SIGNAL GENERATOR FRONT PLATE MECHANISM



ⓔ Early Design Part

FIGURE 17. SIGNAL GENERATOR REAR PLATE MECHANISM

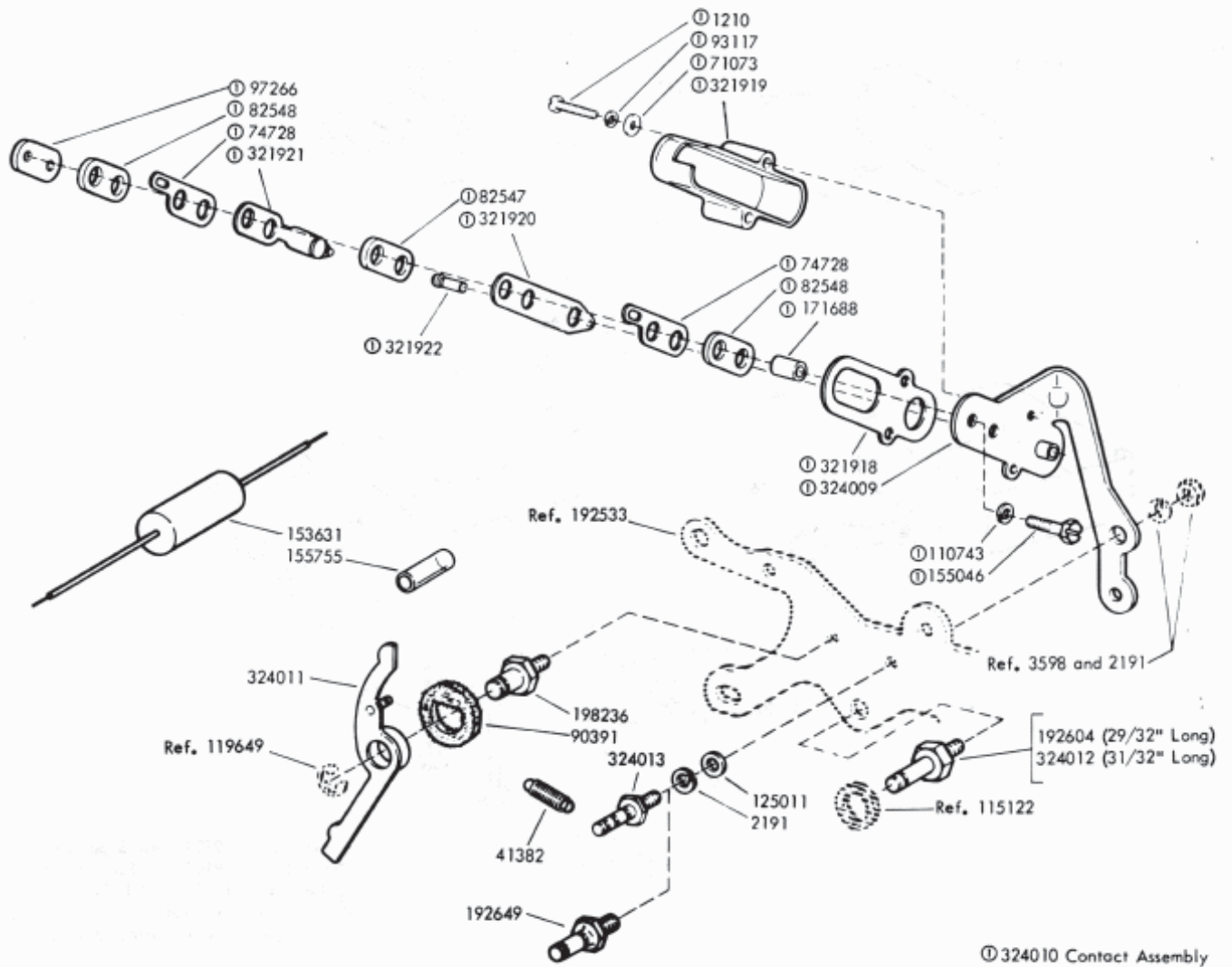
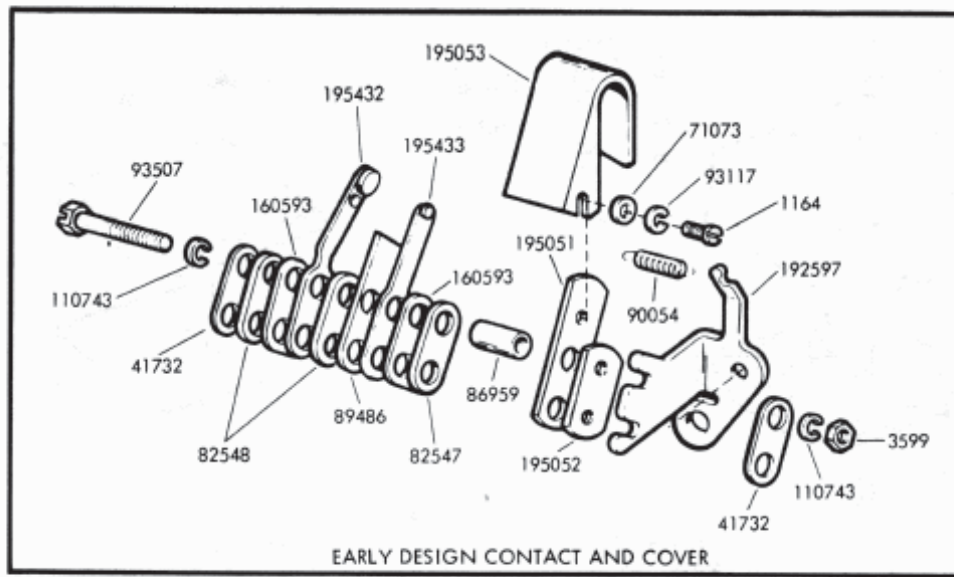


FIGURE 18. SIGNAL GENERATOR REAR PLATE CONTACT MECHANISMS

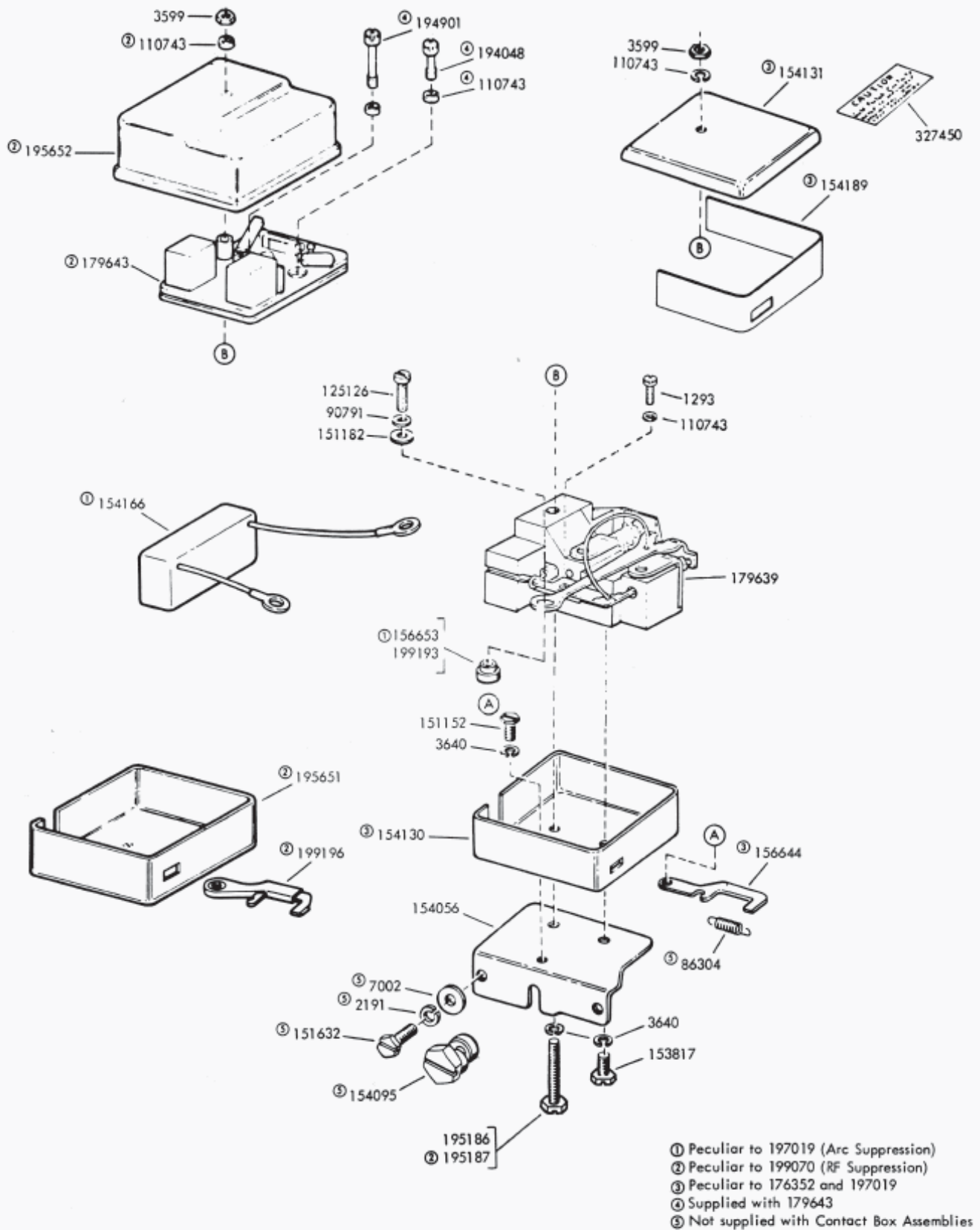


FIGURE 19. 176352, 197019 AND 199070 CONTACT BOX ASSEMBLIES

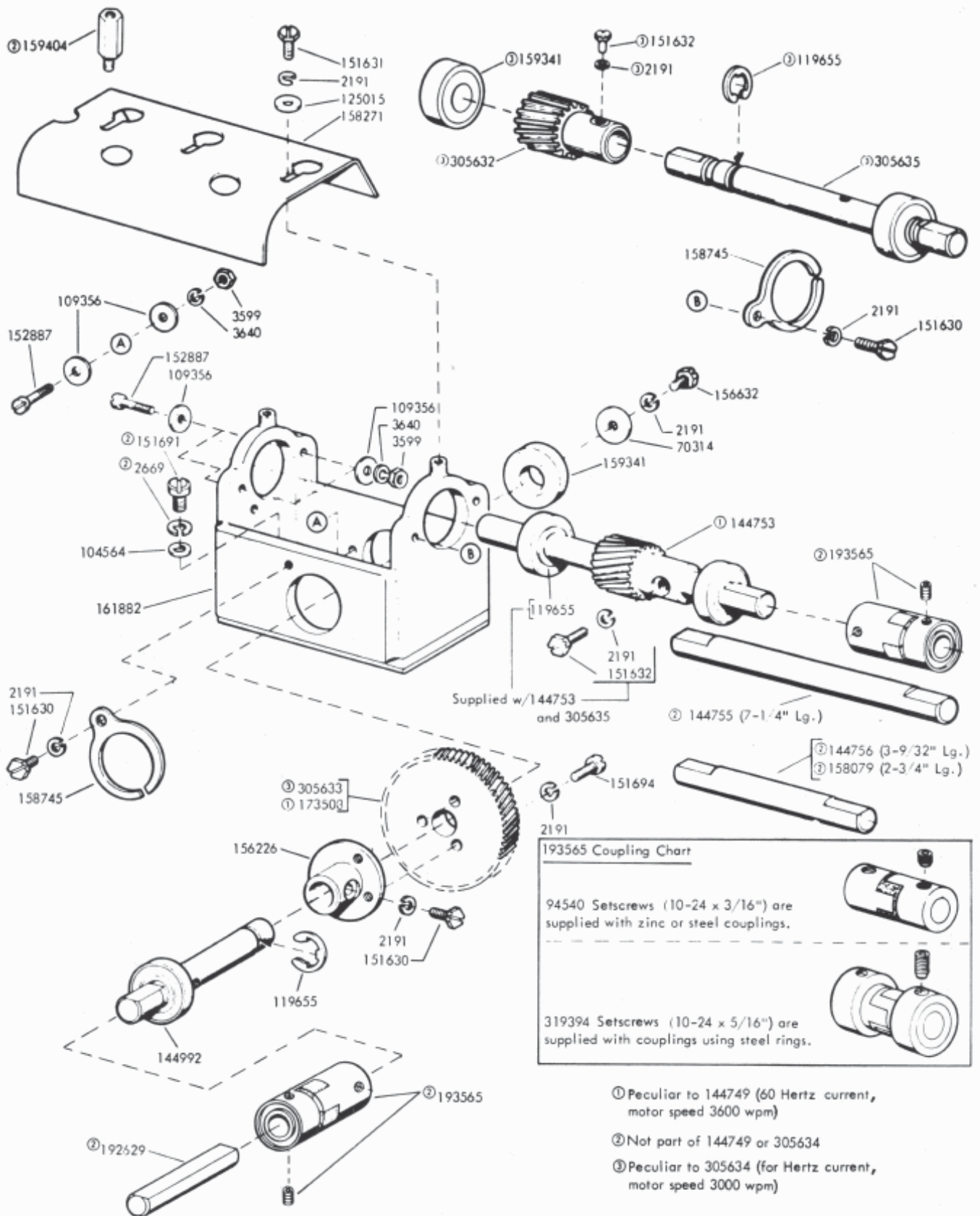


FIGURE 20. 144749 AND 305634 BEARING BRACKET ASSEMBLIES

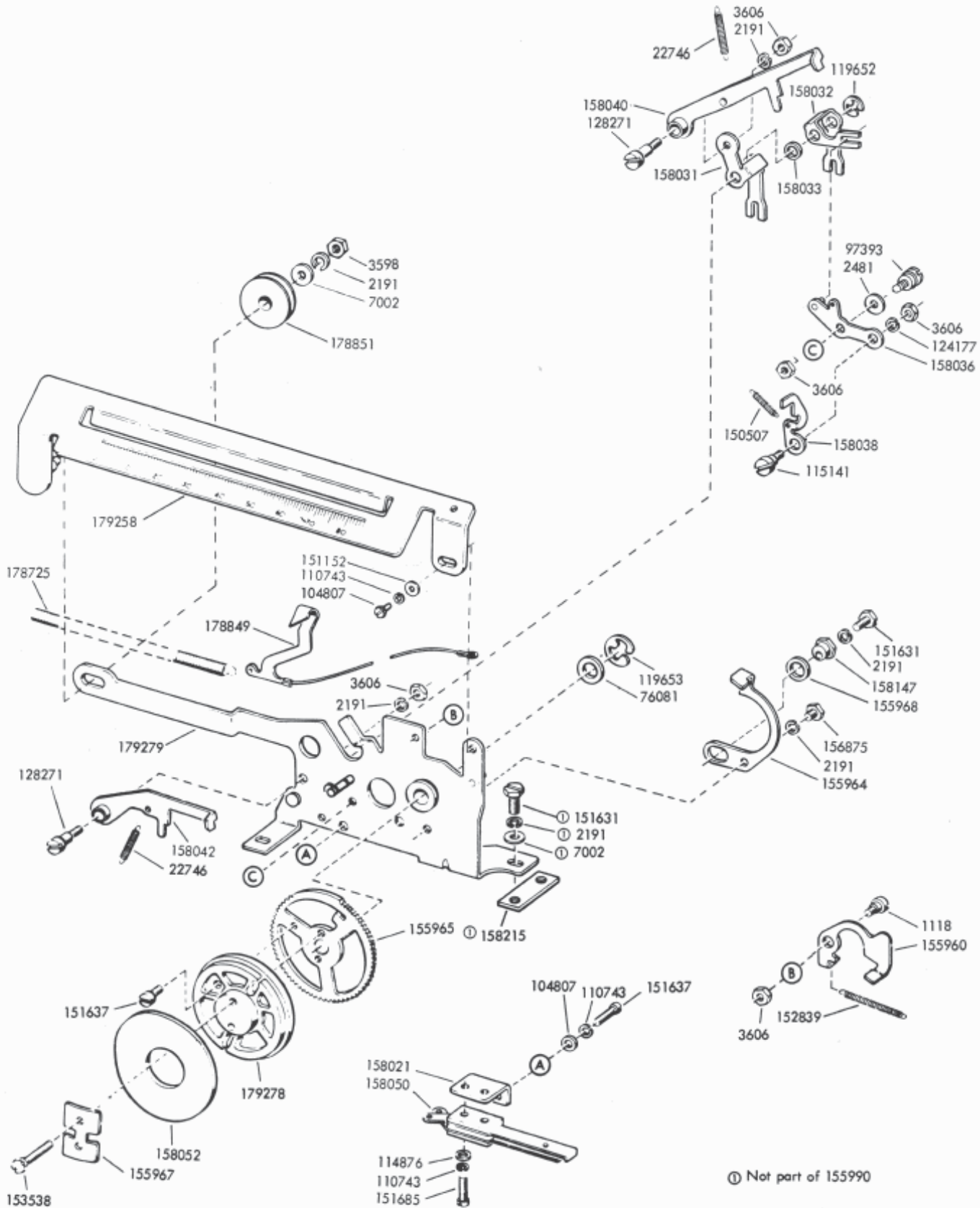


FIGURE 21. 155990 CHARACTER COUNTER ASSEMBLY

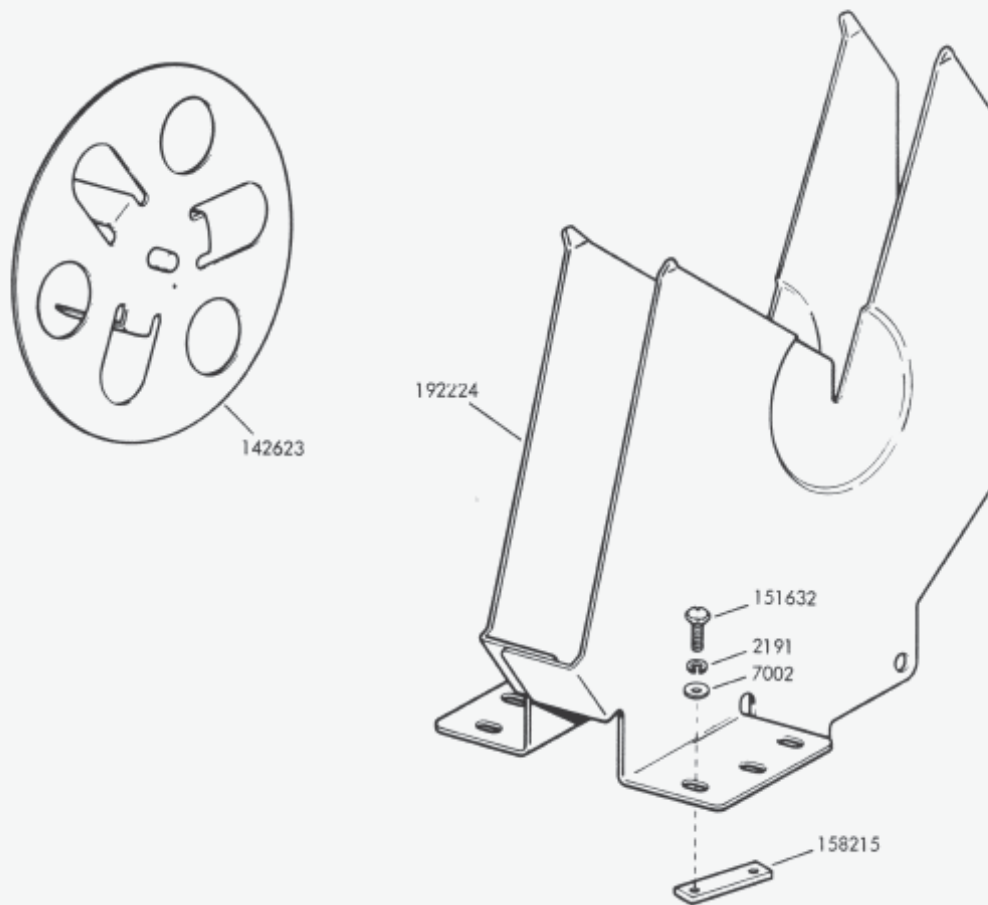


FIGURE 22. TAPE CONTAINER

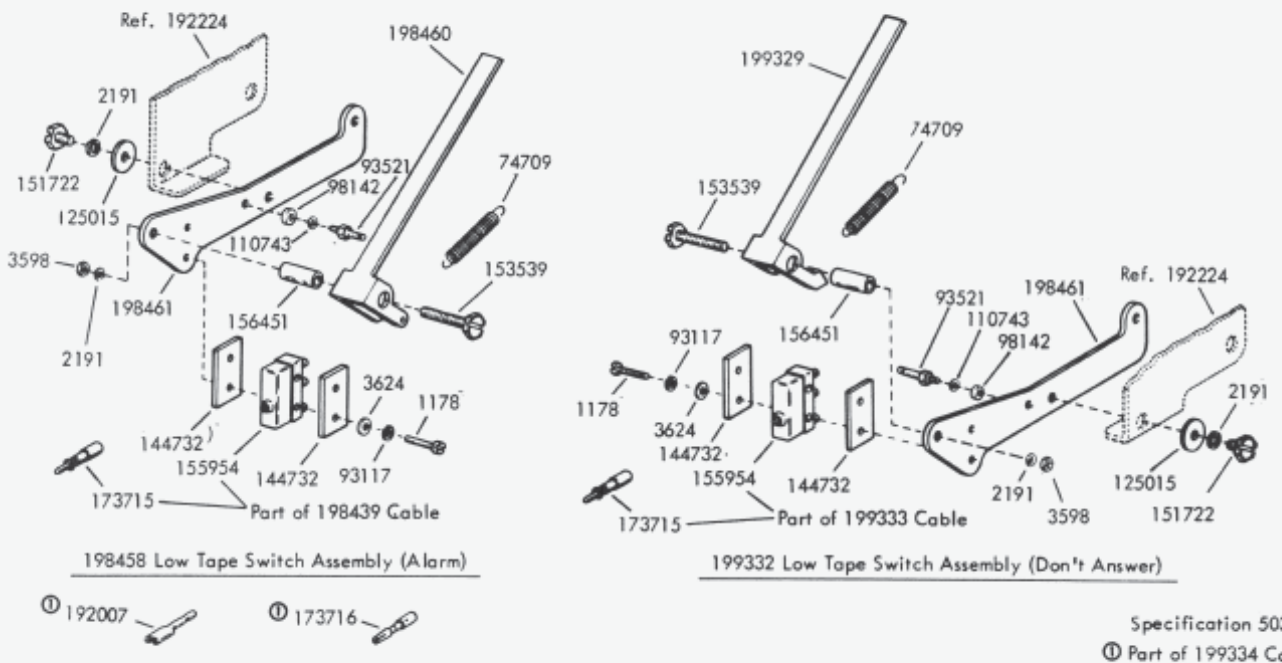


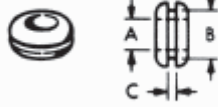
FIGURE 23. 199330 MODIFICATION KIT TO PROVIDE ALARM AND DON'T ANSWER ON LOW TAPE

CABLE CLAMPS



Part No.	I.D.
121242	1/8
121243	3/16
121244	1/4
121245	5/16
121246	3/8
121247	7/16
121248	1/2
121249	5/8
121250	3/4
121251	1

GROMMETS

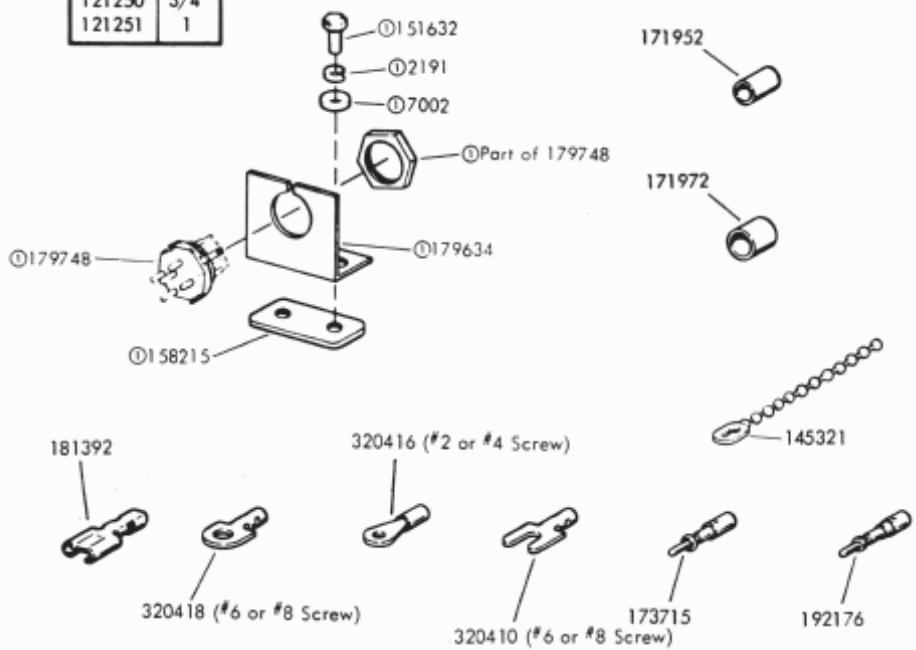


Part No.	A	B	C
154156	3/16	5/16	1/32
154697	1/4	.381	3/32

JUMPERS



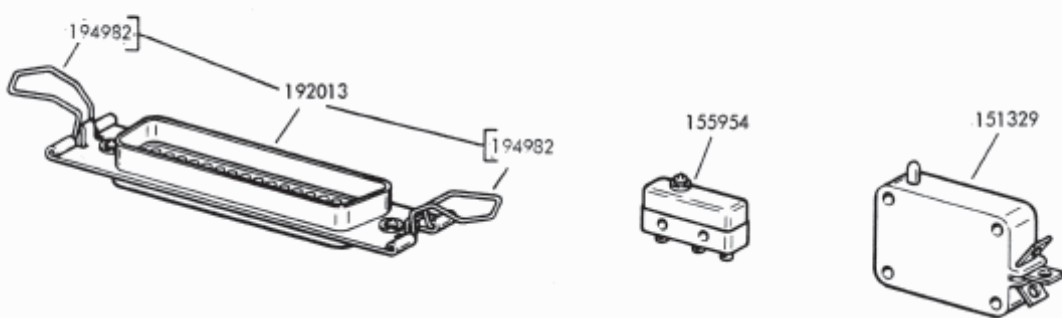
Part No.	Length	Color	Terminals (Amt)
192318	2-3/4"	Black	173715 (2)
197027	9"	Black	181392 (2)
156777	2"	Black	320410 (2)



INSULATING SLEEVES



Part No.	I.D.	Length
155750	3/32	1/2"
155751	1/8	1"
155752	5/64	1/2"
155753	1/8	1/2"
155754	1/16	1/2"
155755	11/64	5/8"



① Used with 199070 Contact Box Assembly (See Fig. 19)

FIGURE 24. CABLE COMPONENTS



KEYTOP DESCRIPTION	PART NO.	KEYTOP DESCRIPTION	PART NO.	KEYTOP DESCRIPTION	PART NO.	KEYTOP DESCRIPTION	PART NO.
① LOC LF	151249	BELL	180341	KBD UNLK	184715	TAB TX	185091
① LOC CR	151250	TAB	180373	ERROR	184719	③ CTRL	185159
① REPT	151254	CAR RET	180380	CLR KYBD	184734	C R EOB ③	185190
① LOC BSP	153280	ESC	180382	BLK	184748	⑤ TAB	185194
RUB OUT	180201	BACK SPACE	180402	FORM OUT	184819	⑤ MTAB	185195
RE TURN	180202	EOT	180440	DE LETE	184842	RUN OUT	185211
LINE FEED	180203	DIV	180441	THIN ADD	184846	BLANK FIGS	185222
HERE IS	180206	STORE	180442	SPACE EM	184847	SPACE	185223
BREAK	180207	TYPE ORD	180443	THIN SPACE	184848	NEW LINE	185227
REPT	180208	SECT	180444	SPACE EN	184849	EOM	185228
FIGS	180210	① CTRL	181253	ELEV	184858	TAPE FEED	185268
LTRS	180211	③ CTRL	181971	TAPE	184859		
ALT MODE	180257	C/R EOB	183920	INT	184862		
No Characters	180299	④ No Characters	184347	SKIP	184871		

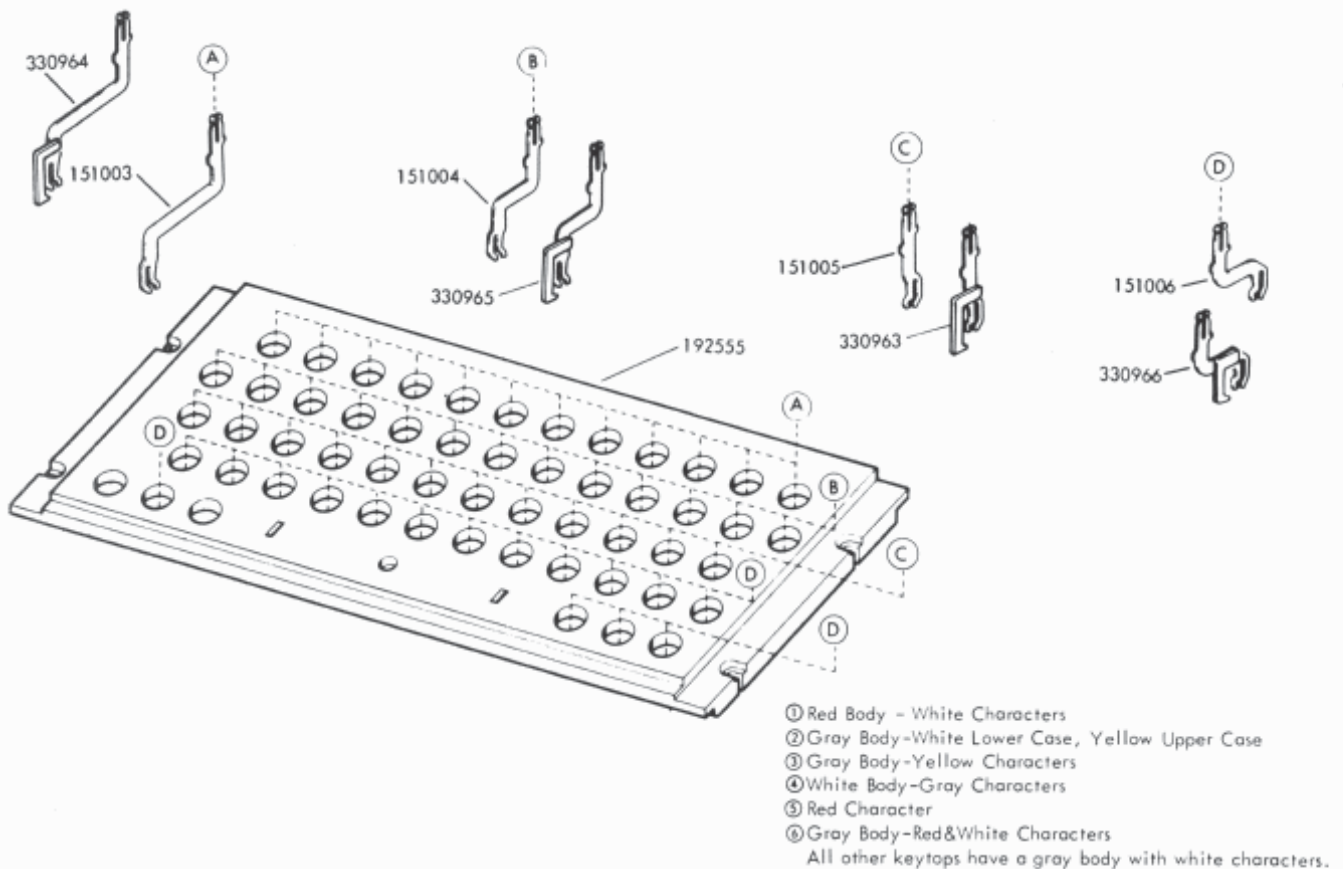


FIGURE 25. KEYTOPS AND KEYLEVERS

KEYTOP DESCRIPTION	PART NO.	KEYTOP DESCRIPTION	PART NO.	KEYTOP DESCRIPTION	PART NO.	KEYTOP DESCRIPTION	PART NO.
A	180181	C O	185238	F %	180386	I TRAN	185205
A -	180223	C ENX	185243	F <	180410	I TAB	185271
A I	180391	C EOM	185286	F PRINT	180429		
A SOM	180427	C 4B	185293	F \$	180447		
A SOA	180435			f RU	184679	J	180187
A SOM	183891			F +	184730	J BELL	180229
A	184343	D EOT	180183	F ENT	184801	J ' ,	180243
a	184675	D +	180255	F →	185232	J ♥	180390
a B	185059	D \$	180240	F DR	185295	J	184660
(A) 10	185143	D WRU	180277			J =	185213
A SOH	185148	D	180278			J /	185235
A SOH	185169	D EOT	180370	G BELL	180185		
A ↑	185230	D)	180409	G &L	180227		
A PA	185291	D	184346	G &	180242	K VT	180188
		d EOT	184678	G	180274	K (180230
		D ←	184729	G BELL	180372	K 1/2	180244
B	180194	D <	184823	G	180387	K	180280
B ?	180236	D EOT	185170	G ♥	180394	K VT \$	180361
B 5 8	180249	D /	185231	G	180411	K VT	180430
B EOA	180381			G BELL	183890	K BP	180449
B ♥♥	180392			g BELL	184681	K [184664
B SOT	180434	E WRU	180173	G [184727	K I	184731
B BELL	180455	E 3	180215	G I	184824	K (VT	184803
B	184344	E	180259	G BEL	185173	K VT	184870
b	184683	E c	180333	G ↘	185233	K ↗	184888
B c	184827	E WRU	180369	G BELL	185273	k	185080
B STX	184868	E [180404			k I	185090
b -	185078	E PRINT	180424			K ' ,	185106
(B) YES	185144	E WRU	183889	H	180186	K]	185126
B STX	185166	e WRU	184663	H *L	180228	K <	185142
B ⊕	185240	E (184725	H STOP	180378	K (VT	185171
B SOM	185242	E &	184745	H £	180388	K -	185214
B RESET	185292	E ENG	185146	H (180396	K ←	185236
		E WRU	185175	H FE	180437		
		E COND	185200	H #	180448		
C	180192	E ENG	185283	h	184682	L FORM	180189
C :	180234	E 4A	185294	H BS	185163	L)	180231
C WRU	180247			H ↓	185234	L 3/4	180245
C I 8	180377					L	180281
C EOM	180432	F RU	180184			L FFC =	180362
C	184345	F SL	180226	I TAB	180178	L ↘	180385
c	184677	F I 4	180241	I 8	180220	L FF \	180431
C ETX	184867	F 4T	180258	I	180262	L EA	180450
(C) NO	185145	F	180273	i TAB	184672	I -	184668
C ETX	185165	F I	180343	i	185065	L FM	184710
C *	185212	F RU	180371	I ↻	185188	L DEL	184713

- ① Red Body - White Characters
 ② Gray Body-White Lower Case, Yellow Upper Case
 ③ Gray Body-Yellow Characters
 ④ White Body-Gray Characters
 ⑤ Red Character
 ⑥ Gray Body-Red&White Characters
 All other keytops have a gray body with white characters

FIGURE 26. KEYTOPS (Continued)

KEYTOP DESCRIPTION	PART NO.	KEYTOP DESCRIPTION	PART NO.	KEYTOP DESCRIPTION	PART NO.	KEYTOP DESCRIPTION	PART NO.
L S	184732	N \geq	184708	P \curvearrowright	184821	S X-OFF	180182
L ' /	184744	N)	184711	P \rightarrow	184834	S ∇	180224
L) FO	184802	N \int	184738	P \in L	184865	S BELL	180239
L	184804	N	184866	P \	184872	S	185282
L V	184806	N :	184891	P \blacktriangleright	184887	S R-C	180360
I \sim	184835	N BLK	185092	P)	185125	S STOP	180428
L $\&$	184873	N \wedge	185132	P \leftarrow	185140	S RM	180446
L &	184889	N CALL	185296	P $\&$	185265	S DC-3	180458
I	185064			P DLE	180282	② S X-OFF	183892
L #	185127			P PL-2	185298	S X-OFF	184676
L \ FF	185149	O	180169			S e	185086
L FORM ③	185164	O \leftarrow	180179			S X-OFF ③	185174
L \sim FF ③	185172	O 9	180221	Q	180171	S DC-3	185276
L FF S4 ③	185176	O ∇	180313	Q 1	180213	S RPR	185301
L Mj ③	185191	O \rightarrow	180326	Q BR	180355	④ S	185394
L \sim	185219	O <	180358	Q START	180422		
L \	185237	O ;	180406	Q DC-1	180456		
L \ FF ③	185270	O \leftarrow	184673	② Q X-ON	183888	T TAPE	180175
L ξ FFO	185272	O 7	184706	9	184659	T 5	180217
L \	194227	O \wedge	184735	Q (184741	T	180261
		O %	184746	Q X-ON	184869	T P-O	180357
		O @	184814	Q RLF ⑤	185160	T PUNCH	180426
M	180196	β \leftarrow	184860	Q X-ON ⑤	185197	t TAPE	184667
M .	180238	O -	184864	Q ADM ⑤	185198	T ?	184743
M <	180316	O +	184886	Q >	185215	t f	185087
M \diamond	180330	O \square	185089	Q DC-1	185274	T PR ⑤	185162
M ?	180365	O S7 ⑤	185177	Q 1A	185299	T TAPE ⑤	185168
M]	180384	O Δ ⑤	185189			T BR ⑤	185202
M *	180417	O TRAN ⑤	185206			T NAL	185210
m]	184665	O PL-1	185297	R TAPE	180174	T \rightarrow	185217
M \neq	184836			R 4	180216	T DC-4	185277
m	185079	P @	180180	R	180260	T T-FWD	185302
M ^I	185093	P O	180222	R P-OFF	180356	④ T	185395
M S	185099	P	180263	R PUNCH	180425		
M .	185105	P	180314	R SEP	180454		
		P ..	180327	R DC-2	180457	U	180177
		P >	180359	r TAPE	184666	U 7	180219
N \uparrow	180195	P β	180389	R)	184742	U ERROR	180312
N .	180237	P Δ	180407	R FS ⑤	185161	U C	180405
N >	180250	P -	180439	R TAPE ⑤	185167	u .	184670
N ?	180315	P DCO	180459	R EXPR ⑤	185201	U %	184726
N X	180340	P 10	184658	R \geq	185216	U NA	185147
N ∇	180364	P Σ	184707	R DC-2 ⑤	185275	U RPT	185204
N 7/8	180379	P \vee	184714	R 8A	185300	U T-REV	185303
N]	180416	P]	184728				
n \uparrow	184661	P \wedge	184805				

- ① Red Body - White Characters
 ② Gray Body-White Lower Case, Yellow Upper Case
 ③ Gray Body-Yellow Characters
 ④ White Body-Gray Characters
 ⑤ Red Character
 ⑥ Gray Body-Red&White Characters
 All other keytops have a gray body with white characters.

FIGURE 27. KEYTOPS (Continued)

KEYTOP DESCRIPTION	PART NO.	KEYTOP DESCRIPTION	PART NO.	KEYTOP DESCRIPTION	PART NO.	KEYTOP DESCRIPTION	PART NO.
V	180193	Y	180176	1 !	180160	④ 3	184336
V ;L=	180235	Y 6	180218	1	180264	3 *	184653
V 3/8	180248	Y	184669	1 1/8	180284	3	184702
V =	180276	Y DIAG	185203	1 ↖	180301	3 .	184737
V ;	180342	Y EM ②	185285	1 O	180320	3 ≤	184829
V ~	180415	Y T.STP	185307	1 ≠	180337	3 1/2	184874
V PRINT	180433			④ 1	184334	3 2	184877
V NT	180452			1 I	184651	3 3.	185053
v	184680	Z	180190	1 E	184700	3	185081
V "	184712	Z ∇L+	180232	1 •	184875	3 ^	185095
V -	184826	Z "	180246	1 DD2	184828	3 3	185112
V ⊕	185239	Z .	180275	1 1.	185051	3	185180
V SYN③	185281	Z PR	180451	1	185069		
V 88	185304	z	184671	1 ⑤	185100		
		Z S	184800	1 1	185110	4 5	180163
		Z SUB ③	185279	1 .	185120	4	180267
W	180172	Z EOR ③	185288	1 ≥	185141	4 1/2	180287
W 2	180214	Z IB	185308	1 ⑤	185178	4 ■	180322
W \	180403					4 —	180348
W LEM	180423					4 EOT	180393
w	184667	FS	184815			4 *	180398
W	184740	GS	184816	2 "	180161	④ 4	184337
W >	184861	RS	184817	2	180265	4 *	184654
W DSCH	185199	US	184818	2 1 4	180285	4 /	184703
W ETB	185278	PF	184844	2 *	180302	4 @	184721
W SOR	185287	LD EM	184850	2 b	180321	4 E	184807
W ETB	185289	LR	184851	2	180344	4 v	184830
W DC7	185290	VR	184852	2 †	180346	4 S	184838
W 2A	185305	OR	184853	④ 2	184335	4 3	184878
		UR	184854	2 ÷	184652	4 4.	185054
		QL	184855	2 ⊃	184701	4	185071
X	180191	QC	184856	2 :	184720	4 4	185113
X /	180233	LD EN	184857	2 1	184876		
X +++	180414	ENDE	185134	2 2.	185052		
X SEP	180453	FEHLER	185135	2	185082	5 %	180164
x	184674	ANRUF	185136	2 ≤	185094	5	180268
X ↑	184733	④ YES	185392	2 2	185111	5 5/8	180288
X ↓	184747	④ NO	185393			5 =	180304
X ?	184825					5 c/o	180323
X ∩	185218			3 7	180162	5 ≤	180338
X X	185224			3	180266	5 ⊃	180349
X CAN ③	185280			3 3/8	180286	5 :	180399
X 2B	185306			3 —	180303	④ 5	184338
④ X	185396			3 ■	180334	5 ↖	184655
				3 ←	180347	5 '.	184722
				3 =	180397	5 u	184808

- ① Red Body - White Characters
 ② Gray Body-White Lower Case, Yellow Upper Case
 ③ Gray Body-Yellow Characters
 ④ White Body-Gray Characters
 ⑤ Red Character
 ⑥ Gray Body-Red&White Characters
 All other keytops have a gray body with white characters.

FIGURE 28. KEYTOPS (Continued)

KEYTOP DESCRIPTION	PART NO.	KEYTOP DESCRIPTION	PART NO.	KEYTOP DESCRIPTION	PART NO.	KEYTOP DESCRIPTION	PART NO.
5 ~	184831	7 7	185116	<u>10</u>	185075	,	180418
5 —	184879	7 &	185122	④ 10	185391	.	180419
5 5	185055	7 ∇	185138	<u>11</u>	185076	/	180420
<u>5</u>	185088			<u>12</u>	185077	— @	180421
5 V	185096			<u>13</u>	185084	*	180436
5 5	185114	8 (180167	<u>14</u> q	185083	+	180438
		8	180271	<u>15</u> r	185067	X :	184656
		8 -	180291	<u>16</u> 0	185068	= =	184657
6 &	180165	8]	180307	<u>17</u>	185061	/ 10	184709
6	180269	8 ~	180352	<u>18</u>	185063	&	184716
6 3/4	180289	④ 8	184341	<u>19</u>	185070	>	184717
6 ←	180305	8 ⊕	184811			<	184718
6 FORM	180345	8 (184882			, E	184736
6 ^	180350	8 5, 8	184897	— =	180170	, ~	184739
6 <	180400	8 ←	185057	, <	180197	=	184749
④ 6	184339	<u>8</u>	185074	, >	180198	† +	184813
6 ÷	184705	8 8	185117	; +	180199	^	184822
6 =	184723	8 x	185123	, ?	180200	/ †	184837
6 !	184809	8	185185	, *	180205	~	184841
6 ≥	184832			\$!	180283	- +	184843
6 (184880			; :	180294	: :	184845
6 6.	185056	9)	180168) (180295	, ,	184884
<u>6</u>	185072	9	180272	, ,	180296	÷ /	184885
6 ≥	185097	9 &	180292	, .	180297	≠ →	184890
6 6	185115	9 (180308	, .	180298	∪ <	184892
6 ?	185121	9 ∇	180375	, ∇	180300	∩ >	184893
6 Δ	185139	④ 9	184342	^ v	180310	[=	184894
		9 →	184812	— *	180311	/ ■	184895
		9)	184883	, †	180317	- 7/8	184899
7 /	180166	9 3/4	184898	, †	180318	g (oversize)	184900
7	180270	9 A	185058	* :	180324	- d	185060
7 7/8	180290	<u>9</u>	185066	— ☆	180325	g	185062
7 [180306	9 9	185118	, ^	180328	○ c	185085
7 ≥	180339	90	185186	// ,	180331	≡ ?	185098
7 v	180351			/ .	180332	g	185101
7 BELL	180395			*	180335	%	185102
7 ✓	180401	0 ?	180293	—	180336	- -	185103
④ 7	184340	0 >	180309	([180353	/ :	185104
7 \	184724	∅	180374)]	180354	S =	185108
7 P	184810	∅ <	180376	+ -	180363	g *	185109
7 "	184820	∅ 0	185119	, ;	180366	/ x	185124
7 ≡	184833	0	185187	, :	180367	, >	185128
7 /	184863	○ ←	184839	* /	180368	, <	185129
7 }	184881	□	184840	∅	180408	≥ ≤	185130
7 1/2	184896	10 /	180319	+	180412	[185131
<u>7</u>	185073			\$	180413	185133

- ① Red Body - White Characters
 ② Gray Body-White Lower Case, Yellow Upper Case
 ③ Gray Body-Yellow Characters
 ④ White Body-Gray Characters
 ⑤ Red Character
 ⑥ Gray Body-Red&White Characters
 All other keytops have a gray body with white characters.

FIGURE 29. KEYTOPS (Continued)

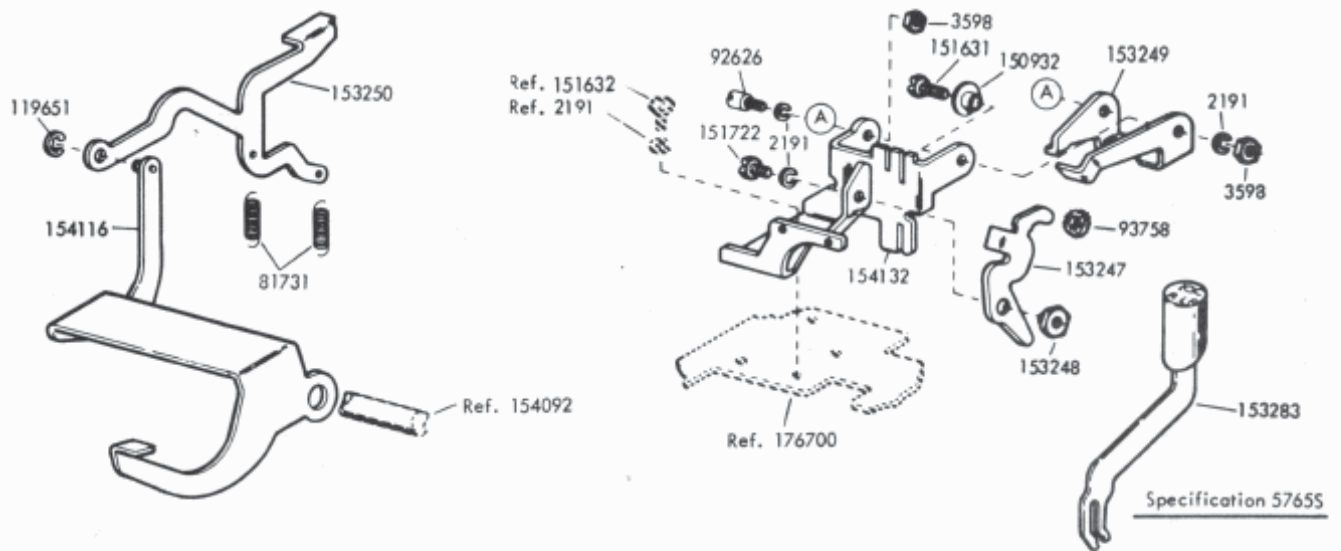


FIGURE 31. 154145 MODIFICATION KIT TO PROVIDE LOCAL REVERSE LINE FEED MECHANISM

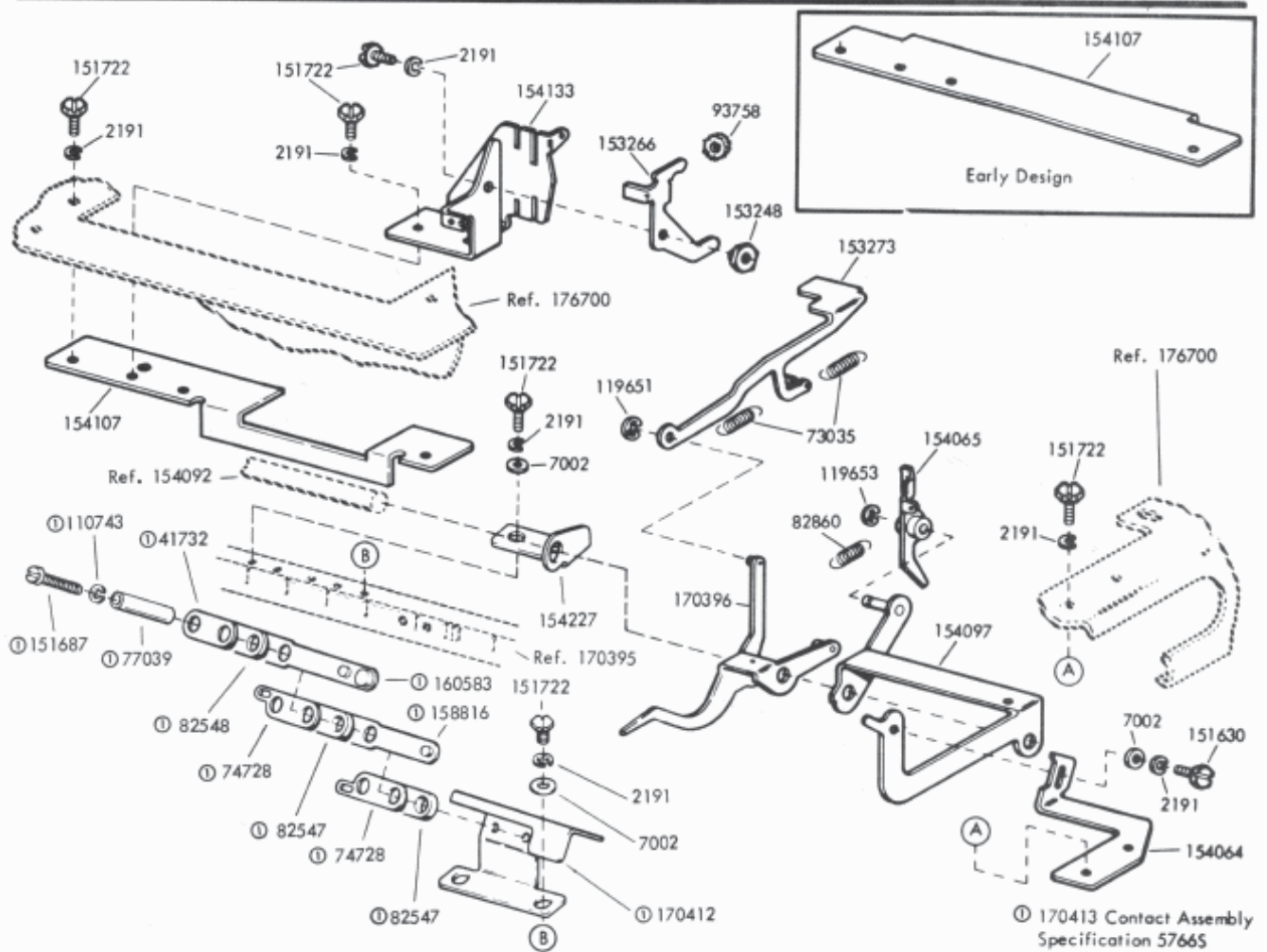
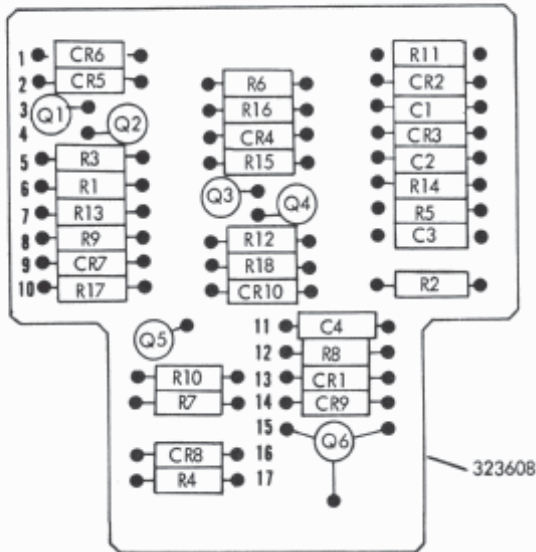


FIGURE 32. 199999 MODIFICATION KIT TO PROVIDE LOCAL BACK SPACE MECHANISM



Reference Designation	Part No.	Total Qty.	Description
C1-C2	148833	2	Capacitor, 0.1 MFD
C3-C4	300384	2	Capacitor, 0.0047 MFD
CR1-3	177108	3	Diode, D2
CR4-5	197464	2	Diode, IN914
CR6	300102	1	Diode, D4
CR7	323607	1	Diode, Zener, IN970B, 24 V
CR8	300385	1	Diode, Zener, 1N759, 12V-
CR9	323606	1	Diode, Zener, IN4747A, 20V
CR10	178844	1	Varistor, 100A
R1-R6	129854	6	Resistor 10K Ohms
R7	118144	1	Resistor, 2.7K Ohms
R8	143667	1	Resistor, 3.9K Ohms
R9	137443	1	Resistor, 1.8K Ohms
R10-12	129853	3	Resistor, 2.2K Ohms
R13-14	118186	2	Resistor, 5.6K Ohms
R15-R17	118177	3	Resistor, 22K Ohms
R18	118154	1	Resistor, 47K Ohms
Q1-Q4	315930	4	Transistor, 2N3568
Q5	315932	1	Transistor, MM2259
Q6	193134	1	Transistor, N35

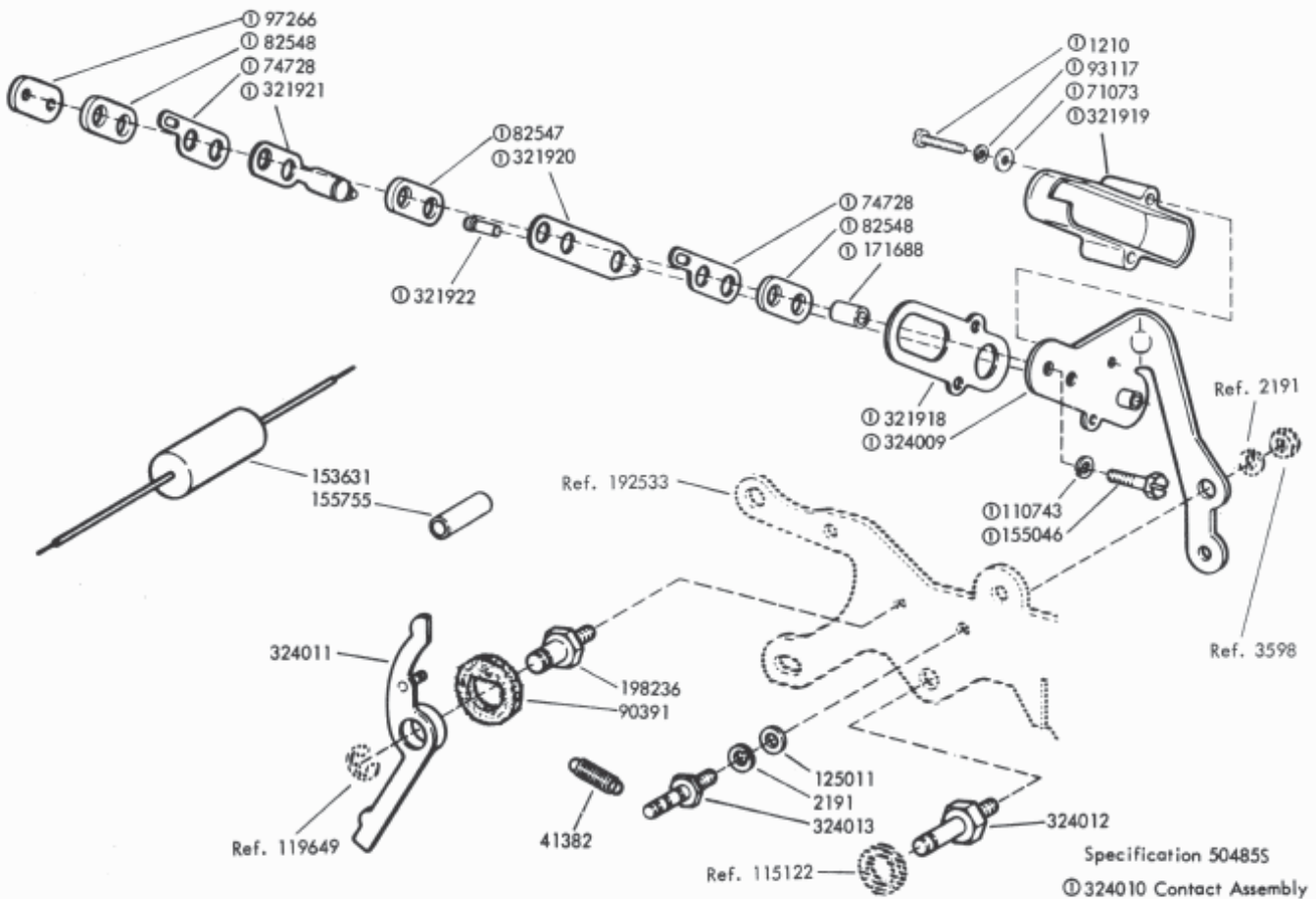


FIGURE 33. 324584 MODIFICATION KIT FOR SIGNAL REGENERATOR

NUMERICAL INDEX

Part Number	Description and Page Number	Part Number	Description and Page Number	Part Number	Description and Page Number
1012	Screw, 6-40 Shoulder 4	74728	Terminal, Contact 5,17,29 30	110743	Lockwasher 4,5,10,12,13, 14,15,16,17,18,20,21, 29,30
1020	Screw, 6-40 x 1/4 Hex 15	74755	Washer, Felt 13	111017	Screw, 6-40 x 5/16 Hex 2
1118	Screw, 6-40 Shoulder 20	74805	Screw, 10-32 x 3/4 Hex 13	111767	Washer, Flat 16
1164	Screw, 2-56 x 3/16 Fil 17	76081	Washer, Flat 9,10,20	112485	Screw, 6-32 x 1/4 Fil 3
1178	Screw, 2-56 x 7/16 Fil 12,21	76099	Washer, Flat 13	112626	Nut, 10-32 Hex 7,13
1210	Screw, 2-56 x 5/8 Fil 17, 30	77039	Bushing, Insulating 5,9, 10,29	112627	Nut, 2-56 Hex 12
1256	Setscrew, 6-40 5	80478	Post, Spring 10	112630	Spring 2
1257	Screw, 10-32 x 1-1/8 Fil 6	80581	Spring 4,15	114876	Washer, Flat 20
1293	Screw, 4-40 x 1/8 Fil 18	81726	Terminal 9,10	115122	Washer, Felt 13,16,17,30
2191	Lockwasher 2 to 10,12,13, 15 to 22,29,30	81731	Spring 2,3,9,29	115141	Screw, 6-40 Shoulder 20
2415	Spring 10	82249	Washer, Flat 10	117416	Post 13
2422	Lockwasher 3	82547	Insulator, .094" Thk 5, 9,10,17,29,30	117535	Resistor, Cancelled 6
2481	Washer, Flat 20	82548	Insulator, .062" Thk 5, 9,10,17,29,30	117608	Nut, Speed 8
2669	Lockwasher 2,6,7,13,19	82860	Spring 3,5,29	118144	Resistor, 2700 Ohm 30
3438	Washer, Flat 2,7	82999	Spring 10	188154	Resistor, 4700 Ohm 30
3598	Nut, 6-40 Hex 5,6,8,10, 12,13,15,16,17,20,29,30	83877	Spring 10	118177	Resistor, 22000 Ohm 30
3599	Nut, 4-40 Hex 3,4,9,10, 12,15,16,17,18,19	85976	Washer, Flat 12	118186	Resistor, 5600 Ohm 30
3606	Nut, 6-40 Hex 4,16,20	86283	Spring 9,10,12	119648	Ring, Retaining 3,4,15
3608	Spring 9	86304	Spring 18	119649	Ring, Retaining 4,16,17, 30
3624	Washer, Flat 21	86742	Nut, 4-40 Hex 16	119651	Ring, Retaining 2,3,8,15, 16,29
3639	Lockwasher 2	86959	Bushing, Insulating 17	119652	Ring, Retaining 13,20
3640	Lockwasher 3,9,10,12,18, 19	89486	Stiffener 17	119653	Ring, Retaining 3,5,20, 29
3870	Spring 2,13	90054	Spring 17	119654	Ring, Retaining 9,10
4702	Spring 13	90391	Washer, Felt 17,30	119655	Ring, Retaining 19
6970	Nut, 3/8-32 Hex 6	90679	Washer, Felt 16	120489	Spacer, .052" Thk 15
7002	Washer, Flat 2,3,4,5,8,9, 12,13,16,18,20,21,22,29	90791	Lockwasher 18	120824	Washer, Felt 14
7603	Spring 16	91026	Screw, 4-40 Shoulder 10	120870	Wick, Felt 15
8330	Washer, Flat 6,7,8,9	92626	Stud 29	121100	Spring 10
8449	Spacer, .094" Thk 16	93117	Lockwasher 12,17,21,30	121242	Clamp, 1/8 ID Cable 22
22746	Spring 20	93507	Screw, 4-40 x 3/4 Hex 17	121243	Clamp, 3/16 ID Cable 22
35826	Washer, Flat 6	93521	Post, Spring 21	121244	Clamp, 1/4 Cable 22
41382	Spring 10,17,30	93758	Washer, Felt 3,29	121245	Clamp, 5/16 ID Cable 22
41732	Plate, Clamp 5,9,10,17,29	93984	Lockwasher 4	121246	Clamp, 3/8 ID Cable 22
42823	Washer, Flat 14	94540	Setscrew, 10-24 19	121247	Clamp, 7/16 ID Cable 22
42827	Screw, 3-48 x 1/4 Fil 2	97266	Plate, Clamp 17,30	121248	Clamp, 1/2 ID Cable 22
49420	Spring, Torsion 5,9,10	97393	Screw, 6x40 Shoulder 20	121249	Clamp, 5/8 ID Cable 22
55669	Spring 3	98142	Washer, Flat 21	121250	Clamp, 3/4 ID Cable 22
70314	Washer, Flat 19	99803	Insulator, .094" Thk 5	121251	Clamp, 1 ID Cable 22
71073	Washer, Flat 12,17,30	102057	Screw, 4-40 Shoulder 3	121473	Post 12
73035	Spring 3,29	104564	Washer, Flat 19	124177	Lockwasher 20
74014	Screw, 10-32 x 3/4 Hex 2	104710	Ball, Bearing 12	125011	Washer, Flat 3,9,10,12 13,17,30
74709	Spring 21	104807	Washer, Flat 4,20	125015	Washer, Flat 6,12,16,19, 21
		104827	Bearing, Ball 7	125126	Screw, 2-56 x 9/32 Fil 18
		108370	Washer, Felt 15		
		109356	Washer, Flat 19		
		110437	Spring 4		

NUMERICAL INDEX (Continued)

Part Number	Description and Page Number	Part Number	Description and Page Number	Part Number	Description and Page Number
125154	Screw, 3-48 Shoulder 10	151103	Spring 4	151737	Screw, 4-40 x 11/64 Hex 14
125181	Screw, 2-56 x 3/8 Fil 2	151113	Strip, Mounting 2	151843	Screw, 6-40 Adjusting 12
125250	Spring 15	151118	Plate, Spacing 2	152045	Gaurd, Gear 2
125253	Spring 9,10	151146	Strap, Mounting 2	152441	Washer, Flat 4
128271	Screw, 6-40 Shoulder 20	151152	Screw, 4-40 x 3/16 Hex 4, 9,10,12,13,18,20	152839	Spring, Latch 20
128357	Ring, Retaining 14	151153	Bearing, Sleeve 14	152887	Screw, 4-40 x 1/2 Hex 19
129853	Resistor, 2200 Ohm 30	151182	Washer, Insulating 18	152893	Screw, 4-40 x 1/4 Hex 12
129854	Resistor, 10000 Ohm 30	151223	Screw, 4-40 Shoulder 8	153247	Lever, Trip 3,29
137443	Resistor, 1800 Ohm 30	151224	Screw, 6-40-Pilot 8	153248	Bushing,6-40 Shoulder 3, 29
142623	Reel, Tape 21	151233	Spacer, .065" Thk 3	153249	Bail, Transfer 29
143667	Resistor, 3900 Ohm 30	151249	Keytop 23	153250	Link 3,29
144495	Pad, Transistor Mounting 30	151250	Keytop 23	153266	Lever, Trip 3,29
144732	Insulator 21	151254	Keytop 23	153273	Link 3,29
144749	Bracket Assembly, Bearing 1,19	151329	Switch, Sensitive 22	153280	Keytop 23
144753	Shaft w/Bearing 19	151335	Stud 2	153283	Keylever Assembly 29
144755	Shaft, 7-1/4" Lg 19	151354	Screw, 2-56 x 15/32 Fil 3	153537	Screw, 6-40 x 9/32 Hex 2, 4
144756	Shaft, 3-9/32" Lg 19	151415	Block, Terminal 2	153538	Screw, 6-40 x 7/16 Hex 20
144759	Spacer, .187" Thk 6	151416	Nut, 6-40 Hex 2	153539	Screw, 6-40 x 11/16 Hex 21
144760	Spacer, .400" Thk 6	151442	Screw, 6-40 x 1/2 Hex 6, 13	153631	Network, Spark Suppression 17,30
144761	Shaft 6	151616	Screw, No. 2 Self-Tapping 2	153817	Screw, 4-40 x 3/8 Hex 12, 18
144763	Plate, Nut 2,7	151618	Screw, 6-40 x 7/16 Fil 8	153819	Lockwasher 2
144767	Plate w/Bracket, Bearing 6	151630	Screw, 6-40 x 1/4 Hex 2, 3,6,7,8,9,10,19,29	153841	Screw, 6-40 x 9/16 Hex 3, 8,13
144769	Button, Pivot 6	151631	Screw, 6-40 x 5/16 Hex 2, 3,7,8,10,12,13,19,20,29	154008	Guide, Codebar 9
144770	Gear Assembly, Intermediate 1,6	151632	Screw, 6-40 x 3/8 Hex 2, 3,6,7,8,18,19,21,22,29	154009	Plate, Front 15
144992	Shaft w/Bearing 19	151637	Screw, 4-40 x 1/4 Fil 3, 10,20	154010	Bail, Transfer 15
145321	Tie, Cable 22	151659	Screw, 6-40 x 1/2 Fil 8	154013	Bracket, Spring 9,10
148128	Washer, Flat 12	151678	Screw, 1/4-32 Pilot 2	154015	Post 16
148833	Capacitor, 1 MFD 30	151685	Screw, 4-40 x 5/16 Fil 20	154019	Follower, Eccentric 14
150013	Disc, Adjusting 14	151687	Screw, 4-40 x 7/16 Fil 5, 29	154021	Link 8
150026	Lever, Shoe Release 14	151688	Screw, 4-40 x 5/8 Fil 9, 10	154027	Bellcrank 16
150029	Wick, Felt 14	151691	Screw, 10-32 x 3/8 Fil 19	154029	Wick, Felt 14
150043	Shoe, Secondary Clutch 14	151692	Screw, 6-40 x 3/16 Fil 2	154030	Shaft, Signal Generator 14
150044	Shoe, Primary Clutch 14	151694	Screw, 6-40 x 11/32 Fil 19	154032	Sleeve, Gear 14
150241	Spring 14	151712	Button, Pivot 7	154033	Latchlever, Clutch 13
150507	Spring 4,20	151722	Screw, 6-40 x 3/16 Hex 2, 3,4,5,8,9,10,15,21,29	154034	Lever, Clutch Stop 13
150923	Washer, Felt 15,16	151723	Screw, 10-32 x 3/8 Hex 2, 6	154036	Plate, Detent 15
150932	Bushing, Shoulder 29	151724	Screw, 10-32 x 5/8 Hex 6, 7	154046	Stud 13
150966	Insulator, Terminal Block 2	151725	Screw, 10-32 x 3/4 Fil 7	154047	Post, Spring 15
150990	Washer, Felt 16			154051	Screw, 6-40 Shoulder 16
150991	Washer, Felt 9,10,13			154053	Bail, Clutch Trip 13
151003	Keylever 23			154056	Bracket, Contact Box 18
151004	Keylever 23			154064	Bracket, Adjusting 3,29
151005	Keylever 23			154065	Lever w/Hub 3,29
151006	Keylever 23				
151036	Screw, 4-40 Shoulder 16				
151080	Washer, Flat 12				

NUMERICAL INDEX (Continued)

Part Number	Description and Page Number	Part Number	Description and Page Number	Part Number	Description and Page Number
154071	Screw, 1/4-32 Pilot 9,10	155046	Screw, 4-40 x 15/32 Hex 17,30	158164	Lever w/Hub 3
154072	Bracket, Stop 10	155750	Sleeve, 3/32 ID x 1/2" Lg Insulating 22	158213	Plate, Nut 2
154076	Plate, Nut 2	155751	Sleeve, 1/8 ID Cable x 1" Lg Insulating 22	158215	Plate, Nut 2,20,21,22
154079	Stud 16	155752	Sleeve, 5/64 ID x 1/2" Lg Insulating 22	158216	Plate, Nut 2
154080	Lock, Wedge 12	155753	Sleeve, 1/8 ID x 1/2" Lg Insulating 22	158217	Plate, nut 2
154083	Spacer, Cam 14	155754	Sleeve, 1/16 ID x 1/2" Lg Insulating 22	158231	Contact Assembly 5
154084	Bearing, Needle 16	155755	Sleeve, 11/64 ID x 5/8" Lg Insulating 17,22,30	158268	Latch w/Hub 16
154087	Plate, Nut 2	155954	Switch, Sensitive 3,21, 22	158271	Guard, Gear 19
154088	Plate, Nut 2	155960	Latch 20	158275	Plate, Clamp 5
154089	Post, Spring 16	155964	Lever, Stop 20	158277	Screw, 3-48 x 1 RD 5
154091	Guide, Non-Repeat Lever 16	155965	Ratchet, 88T 20	158745	Clamp, Bearing 6,7,19
154092	Shaft 5,29	155967	Washer, Spring 20	158816	Spring, Contact 5,9,10
154094	Clamp 13	155968	Washer, Flat 20	158828	Bushing, Mounting 6
154095	Eccentric, Contact Box 18	155990	Counter Assembly, Character 1,20	158907	Spring 15
154096	Bushing, Eccentric 13	155994	Insulator, .015" Thk 3	159284	Pinion, 20T 6
154097	Bail 3,29	156226	Hub 19	159285	Gear, 84T 6
154101	Plate, Rear 13	156451	Bushing 21	159287	Retainer, Pinion 6
154105	Post, Transfer Bail 15	156503	Wick, Felt 14	159327	Washer, Flat 16
154107	Bracket 3,29	156509	Washer, Flat 15	159334	Washer, Insulation 10,16
154109	Plunger 2	156574	Post, Spring 12	159341	Bearing, Ball 6,19
154115	Guide Plate 2	156630	Washer, Felt 15	159404	Post 19
154116	Bail 29	156632	Screw, 6-40 x 13/32 Hex 19	159597	Washer, Flat 4
154120	Lever, Codebar 9,10	156644	Link, Drive 18	160090	Lever, Transfer 15
154125	Spring 9,10	156653	Lockwasher 18	160583	Spring, Contact 5,29
154127	Nut, 6-40 Hex 16	156740	Screw, 6-40 x 7/32 Hex 4, 7,12	160593	Terminal 17
154130	Box, Contact 18	156777	Jumper, 2" Black 22	161295	Gearset, 100 WPM 6
154131	Cover, Contact 18	156875	Screw, 6-40 x 5/32 Fil 20	161301	Post 6
154132	Bracket 29	158021	Bracket, Switch 20	161346	Washer, Felt 15
154133	Bracket 3,29	158031	Bail, Feed 20	161882	Plate w/Bracket 19
154138	Washer, Felt 14	158032	Bail, Reset 20	162333	Stud, Locating 5
154145	Modification Kit 1,29	158033	Spacer, .055" Thk 20	162803	Post, Drive Link 4
154156	Grommet, Rubber 22	158036	Lever, Reset 20	162883	Cover, Insulating 5
154166	Suppressor, ARC 18	158038	Lever 20	163440	Gear, 48T 6,7
154173	Plate 22	158040	Lever, Ratchet Drive 20	170172	Bracket 2
154189	Insulator 18	158042	Lever, Latch 20	170173	Lever w/Hub 5
154191	Spring 10,16	158050	Switch, Contact 20	170324	Bracket, Front 9
154199	Shim, .005" Thk 2	158052	Cam, Switch 20	170332	Bail Assembly, Universal 1,12
154201	Shim, .014" Thk 2	158079	Motor, Motor Coupler 19	170358	Bracket 2
154215	Spring 16	158147	Bushing, Eccentric 20	170361	Bar, Clutch Trip 9,10,11
154217	Wick, Leather 15			170363	Bracket, Left 9,10
154227	Bracket, Support 5,29			170364	Bracket, Right 9,10
154236	Latchlever 13			170365	Guide, Codelever 9,10
154238	Extension 12			170368	Shaft 9,10
154239	Extension w/Post 12			170369	Bracket, Support 9
154240	Bail, Codebar 16			170370	Lever, Function 9,10
154241	Stud 16			170371	Lever, Function 9,10
154386	Plate, Adjusting 16			170372	Bail, Universal 12
154694	Disc, Clutch Cam 14			170373	Blade, Rear 12
154697	Grommet, Rubber 22			170374	Blade, Front 12

NUMERICAL INDEX (Continued)

Part Number	Description and Page Number	Part Number	Description and Page Number	Part Number	Description and Page Number
170375	Lever, Assembly 9,10	178849	Cord Assembly, Indicator 20	180199	Keytop 27
170379	Retainer, Ball 12			180200	Keytop 27
170380	Retainer, Wedge 12	178851	Pulley 20	180201	Keytop 23
170385	Frame w/Bushing 13	179258	Bracket, Scale 20	180202	Keytop 23
170386	Guide, Transfer Level 15	179278	Drum, Ratchet 20	180203	Keytop 23
170388	Guidepost 15	179279	Bracket w/Posts 20	180205	Keytop 27
170390	Bail, Locking 15	179634	Bracket, Connector Mounting 22	180206	Keytop 23
170391	Guide, Transfer Lever 15			180207	Keytop 23
170392	Lever, Non-Repeat 16	179639	Contact Assembly 18	180208	Keytop 23
170395	Bracket, Function Bail 5, 29	179643	Network, Filter 18	180210	Keytop 23
		179748	Connector, 5 Pt Plug 22	180211	Keytop 23
170396	Bail, L.B.S. 3,5,29	180160	Keytop 26	180213	Keytop 25
170397	Bail, L.C.R. 5	180161	Keytop 26	180214	Keytop 26
170398	Lever, L.L.F. 5	180162	Keytop 26	180215	Keytop 24
170399	Lever 3,5	180163	Keytop 26	180216	Keytop 25
170406	Bracket, Left Spacebar 311741 8	180164	Keytop 26	180217	Keytop 25
		180165	Keytop 27	180218	Keytop 26
170407	Bracket, Right Spacebar 311741 8	180166	Keytop 27	180219	Keytop 25
		180167	Keytop 27	180220	Keytop 24
170409	Bail, Spacebar 8	180168	Keytop 27	180221	Keytop 25
170410	Plate, Nut 2	180169	Keytop 25	180222	Keytop 25
170412	Bracket, Switch Mounting 5,29	180170	Keytop 27	180223	Keytop 24
		180171	Keytop 25	180224	Keytop 25
170413	Contact Assembly 5,29	180172	Keytop 26	180226	Keytop 24
170414	Lever, Function 9,10	180173	Keytop 24	180227	Keytop 24
170418	Bracket 3	180174	Keytop 25	180228	Keytop 24
171688	Bushing, .265" Thk 17,30	180175	Keytop 25	180229	Keytop 24
171952	Connector, Green Shielding 22	180176	Keytop 26	180230	Keytop 24
		180177	Keytop 25	180231	Keytop 24
171972	Connector, Green Insulated 22	180178	Keytop 24	180232	Keytop 26
		180179	Keytop 25	180233	Keytop 26
173096	Stud, Eccentric 16	180180	Keytop 25	180234	Keytop 24
173508	Gear, 66T 19	180181	Keytop 24	180235	Keytop 26
173715	Terminal, Plug Type 21,22	180182	Keytop 25	180236	Keytop 24
173716	Terminal, Receptacle Type 21	180183	Keytop 24	180237	Keytop 25
		180184	Keytop 24	180238	Keytop 25
176339	Post, Stop 16	180185	Keytop 24	180239	Keytop 25
176352	Box Assembly, Contact 1, 18	180186	Keytop 24	180240	Keytop 24
		180187	Keytop 24	180241	Keytop 24
176354	Sleeve 15	180188	Keytop 24	180242	Keytop 24
176663	Suppressor, Spark 2	180189	Keytop 24	180243	Keytop 24
176700	Base 2,3,29	180190	Keytop 26	180244	Keytop 24
177108	Diode 30	180191	Keytop 26	180245	Keytop 24
178142	Camsleeve 14	180192	Keytop 24	180246	Keytop 26
178144	Contact Assembly 9,10	180193	Keytop 26	180247	Keytop 24
178145	Bracket, Switch 9,10	180194	Keytop 24	180248	Keytop 26
178146	Guard 9,10	180195	Keytop 25	180249	Keytop 24
178147	Spring, Contact 9,10	180196	Keytop 25	180250	Keytop 25
178725	Spring 20	180197	Keytop 27	180255	Keytop 24
178844	Varistor 30	180198	Keytop 27	180257	Keytop 23

NUMERICAL INDEX (Continued)

Part Number	Description and Page Number	Part Number	Description and Page Number	Part Number	Description and Page Number
180258	Keytop 24	180310	Keytop 27	180362	Keytop 24
180259	Keytop 24	180311	Keytop 27	180363	Keytop 27
180260	Keytop 25	180312	Keytop 25	180364	Keytop 25
180261	Keytop 25	180313	Keytop 25	180365	Keytop 25
180262	Keytop 24	180314	Keytop 25	180366	Keytop 27
180263	Keytop 25	180315	Keytop 25	180367	Keytop 27
180264	Keytop 26	180316	Keytop 25	180368	Keytop 27
180265	Keytop 26	180317	Keytop 27	180369	Keytop 24
180266	Keytop 26	180318	Keytop 27	180370	Keytop 24
180267	Keytop 26	180319	Keytop 27	180371	Keytop 24
180268	Keytop 26	180320	Keytop 26	180372	Keytop 24
180269	Keytop 27	180321	Keytop 26	180373	Keytop 23
180270	Keytop 27	180322	Keytop 26	180374	Keytop 27
180271	Keytop 27	180323	Keytop 26	180375	Keytop 27
180272	Keytop 27	180324	Keytop 27	180376	Keytop 27
180273	Keytop 24	180325	Keytop 27	180377	Keytop 24
180274	Keytop 24	180326	Keytop 25	180378	Keytop 24
180275	Keytop 26	180327	Keytop 25	180379	Keytop 25
180276	Keytop 26	180328	Keytop 27	180380	Keytop 23
180277	Keytop 24	180330	Keytop 25	180381	Keytop 24
180278	Keytop 24	180331	Keytop 27	180382	Keytop 23
180280	Keytop 24	180332	Keytop 27	180384	Keytop 25
180281	Keytop 24	180333	Keytop 24	180385	Keytop 24
180282	Keytop 25	180334	Keytop 26	180386	Keytop 24
180283	Keytop 27	180335	Keytop 27	180387	Keytop 24
180284	Keytop 26	180336	Keytop 27	180388	Keytop 24
180285	Keytop 26	180337	Keytop 26	180389	Keytop 25
180286	Keytop 26	180338	Keytop 26	180390	Keytop 24
180287	Keytop 26	180339	Keytop 27	180391	Keytop 24
180288	Keytop 26	180340	Keytop 25	180392	Keytop 24
180289	Keytop 27	180341	Keytop 23	180393	Keytop 26
180290	Keytop 27	180342	Keytop 26	180394	Keytop 24
180291	Keytop 27	180343	Keytop 24	180395	Keytop 27
180292	Keytop 27	180344	Keytop 26	180396	Keytop 24
180293	Keytop 27	180345	Keytop 27	180397	Keytop 26
180294	Keytop 27	180346	Keytop 26	180398	Keytop 26
180295	Keytop 27	180347	Keytop 26	180399	Keytop 26
180296	Keytop 27	180348	Keytop 26	180400	Keytop 27
180297	Keytop 27	180349	Keytop 26	180401	Keytop 27
180298	Keytop 27	180350	Keytop 27	180402	Keytop 23
180299	Keytop 23	180351	Keytop 27	180403	Keytop 26
180300	Keytop 27	180352	Keytop 27	180404	Keytop 24
180301	Keytop 26	180353	Keytop 27	180405	Keytop 25
180302	Keytop 26	180354	Keytop 27	180406	Keytop 25
180303	Keytop 26	180355	Keytop 25	180407	Keytop 25
180304	Keytop 26	180356	Keytop 25	180408	Keytop 27
180305	Keytop 27	180357	Keytop 25	180409	Keytop 24
180306	Keytop 27	180358	Keytop 25	180410	Keytop 24
180307	Keytop 27	180359	Keytop 25	180411	Keytop 24
180308	Keytop 27	180360	Keytop 25	180412	Keytop 27
180309	Keytop 27	180361	Keytop 24	180413	Keytop 27

NUMERICAL INDEX (Continued)

Part Number	Description and Page Number	Part Number	Description and Page Number	Part Number	Description and Page Number
180414	Keytop 26	181971	Keytop 23	184681	Keytop 24
180415	Keytop 26	183888	Keytop 25	184682	Keytop 24
180416	Keytop 25	183889	Keytop 24	184683	Keytop 24
180417	Keytop 25	183890	Keytop 24	184700	Keytop 26
180418	Keytop 27	183891	Keytop 24	184701	Keytop 26
180419	Keytop 27	183892	Keytop 25	184702	Keytop 26
180420	Keytop 27	183920	Keytop 23	184703	Keytop 26
180421	Keytop 27	184334	Keytop 26	184705	Keytop 27
180422	Keytop 25	184335	Keytop 26	184706	Keytop 25
180423	Keytop 26	184336	Keytop 26	184707	Keytop 25
180424	Keytop 24	184337	Keytop 26	184708	Keytop 25
180425	Keytop 25	184338	Keytop 26	184709	Keytop 27
180426	Keytop 25	184339	Keytop 27	184710	Keytop 24
180427	Keytop 24	184340	Keytop 27	184711	Keytop 25
180428	Keytop 25	184341	Keytop 27	184712	Keytop 26
180429	Keytop 24	184342	Keytop 27	184713	Keytop 24
180430	Keytop 24	184343	Keytop 24	184714	Keytop 25
180431	Keytop 24	184344	Keytop 24	184715	Keytop 23
180432	Keytop 24	184345	Keytop 24	184716	Keytop 27
180433	Keytop 26	184346	Keytop 24	184717	Keytop 27
180434	Keytop 24	184347	Keytop 23	184718	Keytop 27
180435	Keytop 24	184651	Keytop 26	184719	Keytop 23
180436	Keytop 27	184652	Keytop 26	184720	Keytop 26
180437	Keytop 24	184653	Keytop 26	184721	Keytop 26
180438	Keytop 27	184654	Keytop 26	184722	Keytop 26
180439	Keytop 25	184655	Keytop 26	184723	Keytop 27
180440	Keytop 23	184656	Keytop 27	184724	Keytop 27
180441	Keytop 23	184657	Keytop 27	184725	Keytop 24
180442	Keytop 23	184658	Keytop 25	184726	Keytop 25
180443	Keytop 23	184659	Keytop 25	184727	Keytop 24
180444	Keytop 23	184660	Keytop 24	184728	Keytop 25
180446	Keytop 25	184661	Keytop 25	184729	Keytop 24
180447	Keytop 24	184662	Keytop 26	184730	Keytop 24
180448	Keytop 24	184663	Keytop 24	184731	Keytop 24
180449	Keytop 24	184664	Keytop 24	184732	Keytop 25
180450	Keytop 24	184665	Keytop 25	184733	Keytop 26
180451	Keytop 26	184666	Keytop 25	184734	Keytop 23
180452	Keytop 26	184667	Keytop 25	184735	Keytop 25
180453	Keytop 26	184668	Keytop 24	184736	Keytop 27
180454	Keytop 25	184669	Keytop 26	184737	Keytop 26
180455	Keytop 24	184670	Keytop 25	184738	Keytop 25
180456	Keytop 25	184671	Keytop 26	184739	Keytop 27
180457	Keytop 25	184672	Keytop 24	184740	Keytop 26
180458	Keytop 25	184673	Keytop 25	184741	Keytop 25
180459	Keytop 25	184674	Keytop 26	184742	Keytop 25
180675	Screw, No. 6 Self-Tapping 3	184675	Keytop 24	184743	Keytop 25
180904	Tab, Terminal 3	184676	Keytop 25	184744	Keytop 24
181253	Keytop 23	184677	Keytop 24	184745	Keytop 25
181284	Spring 14	184678	Keytop 24	184746	Keytop 25
181392	Terminal, Tab Type 22	184679	Keytop 24	184747	Keytop 26
		184680	Keytop 26	184748	Keytop 23

NUMERICAL INDEX (Continued)

Part Number	Description and Page Number	Part Number	Description and Page Number	Part Number	Description and Page Number
184749	Keytop 27	184849	Keytop 23	184899	Keytop 27
184800	Keytop 26	184850	Keytop 26	184900	Keytop 27
184801	Keytop 24	184851	Keytop 26	185051	Keytop 26
184802	Keytop 25	184852	Keytop 26	185052	Keytop 26
184803	Keytop 24	184853	Keytop 26	185053	Keytop 26
184804	Keytop 25	184854	Keytop 26	185054	Keytop 26
184805	Keytop 25	184855	Keytop 26	185055	Keytop 27
184806	Keytop 25	184856	Keytop 26	185056	Keytop 27
184807	Keytop 26	184857	Keytop 26	185057	Keytop 27
184808	Keytop 26	184858	Keytop 23	185058	Keytop 27
184809	Keytop 27	184859	Keytop 23	185059	Keytop 24
184810	Keytop 27	184860	Keytop 25	185060	Keytop 27
184811	Keytop 27	184861	Keytop 26	185061	Keytop 27
184812	Keytop 27	184862	Keytop 23	185062	Keytop 27
184813	Keytop 27	184863	Keytop 27	185063	Keytop 27
184814	Keytop 25	184864	Keytop 25	185064	Keytop 25
184815	Keytop 26	184865	Keytop 25	185065	Keytop 24
184816	Keytop 26	184866	Keytop 25	185066	Keytop 27
184817	Keytop 26	184867	Keytop 24	185067	Keytop 27
184818	Keytop 26	184868	Keytop 24	185068	Keytop 27
184819	Keytop 23	184869	Keytop 25	185069	Keytop 26
184820	Keytop 27	184870	Keytop 24	185070	Keytop 27
184821	Keytop 25	184871	Keytop 23	185071	Keytop 26
184822	Keytop 27	184872	Keytop 25	185072	Keytop 27
184823	Keytop 24	184873	Keytop 25	185073	Keytop 27
184824	Keytop 24	184874	Keytop 26	185074	Keytop 27
184825	Keytop 26	184875	Keytop 26	185075	Keytop 27
184826	Keytop 26	184876	Keytop 26	185076	Keytop 27
184827	Keytop 24	184877	Keytop 26	185077	Keytop 27
184828	Keytop 26	184878	Keytop 26	185078	Keytop 24
184829	Keytop 26	184879	Keytop 27	185079	Keytop 25
184830	Keytop 26	184880	Keytop 27	185080	Keytop 24
184831	Keytop 27	184881	Keytop 27	185081	Keytop 26
184832	Keytop 27	184882	Keytop 27	185082	Keytop 26
184833	Keytop 27	184883	Keytop 27	185083	Keytop 27
184834	Keytop 25	184884	Keytop 27	185084	Keytop 27
184835	Keytop 25	184885	Keytop 27	185085	Keytop 27
184836	Keytop 25	184886	Keytop 25	185086	Keytop 25
184837	Keytop 27	184887	Keytop 25	185087	Keytop 25
184838	Keytop 26	184888	Keytop 24	185088	Keytop 27
184839	Keytop 27	184889	Keytop 25	185089	Keytop 25
184840	Keytop 27	184890	Keytop 27	185090	Keytop 24
184841	Keytop 27	184891	Keytop 25	185091	Keytop 23
184842	Keytop 23	184892	Keytop 27	185092	Keytop 25
184843	Keytop 27	184893	Keytop 27	185093	Keytop 25
184844	Keytop 26	184894	Keytop 27	185094	Keytop 26
184845	Keytop 27	184895	Keytop 27	185095	Keytop 26
184846	Keytop 23	184896	Keytop 27	185096	Keytop 27
184847	Keytop 23	184897	Keytop 27	185097	Keytop 27
184848	Keytop 23	184898	Keytop 27	185098	Keytop 27

NUMERICAL INDEX (Continued)

Part Number	Description and Page Number	Part Number	Description and Page Number	Part Number	Description and Page Number
185099	Keytop 25	185159	Keytop 23	185212	Keytop 24
185100	Keytop 26	185160	Keytop 25	185213	Keytop 24
185101	Keytop 27	185161	Keytop 25	185214	Keytop 24
185102	Keytop 27	185162	Keytop 25	185215	Keytop 25
185103	Keytop 27	185163	Keytop 24	185216	Keytop 25
185104	Keytop 27	185164	Keytop 25	185217	Keytop 25
185105	Keytop 25	185165	Keytop 24	185218	Keytop 26
185106	Keytop 24	185166	Keytop 24	185219	Keytop 25
185108	Keytop 27	185167	Keytop 25	185220	Keytop 28
185109	Keytop 27	185168	Keytop 25	185221	Keytop 28
185110	Keytop 26	185169	Keytop 24	185222	Keytop 23
185111	Keytop 26	185170	Keytop 24	185223	Keytop 23
185112	Keytop 26	185171	Keytop 24	185224	Keytop 26
185113	Keytop 26	185172	Keytop 25	185225	Keytop 28
185114	Keytop 27	185173	Keytop 24	185226	Keytop 28
185115	Keytop 27	185174	Keytop 25	185227	Keytop 23
185116	Keytop 27	185175	Keytop 24	185228	Keytop 23
185117	Keytop 27	185176	Keytop 25	185229	Keytop 28
185118	Keytop 27	185177	Keytop 25	185230	Keytop 24
185119	Keytop 27	185178	Keytop 26	185231	Keytop 24
185120	Keytop 26	185179	Keytop 28	185232	Keytop 24
185121	Keytop 27	185180	Keytop 26	185233	Keytop 24
185122	Keytop 27	185181	Keytop 28	185234	Keytop 24
185123	Keytop 27	185182	Keytop 28	185235	Keytop 24
185124	Keytop 27	185183	Keytop 28	185236	Keytop 24
185125	Keytop 25	185184	Keytop 28	185237	Keytop 25
185126	Keytop 24	185185	Keytop 27	185238	Keytop 24
185127	Keytop 25	185186	Keytop 27	185239	Keytop 26
185128	Keytop 27	185187	Keytop 27	185240	Keytop 24
185129	Keytop 27	185188	Keytop 24	185242	Keytop 24
185130	Keytop 27	185189	Keytop 25	185243	Keytop 24
185131	Keytop 27	185190	Keytop 23	185244	Keytop 28
185132	Keytop 25	185191	Keytop 25	185245	Keytop 28
185133	Keytop 27	185192	Keytop 28	185246	Keytop 28
185134	Keytop 26	185193	Keytop 28	185247	Keytop 28
185135	Keytop 26	185194	Keytop 23	185248	Keytop 28
185136	Keytop 26	185195	Keytop 23	185249	Keytop 28
185137	Keytop 28	185196	Keytop 28	185260	Keytop 28
185138	Keytop 27	185197	Keytop 25	185261	Keytop 28
185139	Keytop 27	185198	Keytop 25	185262	Keytop 28
185140	Keytop 25	185199	Keytop 26	185263	Keytop 28
185141	Keytop 26	185200	Keytop 24	185264	Keytop 28
185142	Keytop 24	185201	Keytop 25	185265	Keytop 25
185143	Keytop 24	185202	Keytop 25	185266	Keytop 28
185144	Keytop 24	185203	Keytop 26	185267	Keytop 28
185145	Keytop 24	185204	Keytop 25	185268	Keytop 23
185146	Keytop 24	185205	Keytop 24	185269	Keytop 28
185147	Keytop 25	185206	Keytop 25	185270	Keytop 25
185148	Keytop 24	185210	Keytop 25	185271	Keytop 24
185149	Keytop 25	185211	Keytop 23	185272	Keytop 25

NUMERICAL INDEX (Continued)

Part Number	Description and Page Number	Part Number	Description and Page Number	Part Number	Description and Page Number
185273	Keytop 24	192510	Keytop 28	195432	Spring, Contact 17
185274	Keytop 25	192511	Bar, Space 8,12	195433	Spring, Contact 17
185275	Keytop 25	192521	Codebar, No. 1 9,11	195651	Box, Contact 18
185276	Keytop 25	192522	Codebar, No. 2 9	195652	Cover, Contact Box 18
185277	Keytop 25	192523	Codebar No. 3 9,10,11	195716	Plate, Identification 2
185278	Keytop 26	192524	Codebar, No. 4 9,10,11	195717	Plate, Identification 2
185279	Keytop 26	193525	Codebar, No. 5 9,10,11	197005	Lever, Function 10
185280	Keytop 26	192526	Codebar, No. 6 9,10,11	197013	Lever, Transfer 15
185281	Keytop 26	192527	Codebar, No. 7 9,10,11	197015	Bracket, Mounting 5
185282	Keytop 25	192529	Codebar, Shift 9	197016	Insulator, .020" Thk 2
185283	Keytop 24	192530	Bar, Shift Lock 9	197017	Latch, Lock 10
185285	Keytop 26	192531	Lever, Transfer 15	197018	Lever, Keyboard Lock 5
185286	Keytop 24	192533	Plate, Rear 16,17,30	197019	Box Assembly, Contact 1, 18
185287	Keytop 26	192534	Post, Locking Bail 15		
185288	Keytop 26	192535	Bail w/Post 9	197027	Jumper, 9" Black 22
185289	Keytop 26	192537	Plate, Adjustment 9	197040	Keytop 28
185290	Keytop 26	192538	Plug, Button 8	197056	Clip 15
185291	Keytop 24	192550	Bar Assembly, Call Lock 12	197464	Diode 30
185292	Keytop 24			198219	Plate, Front 4
185293	Keytop 24	192552	Channel, Ball 12	198220	Plate, Rear 4
185294	Keytop 24	192553	Bracket, Left Mounting 8	198221	Plate, Mounting 4
185295	Keytop 24	192554	Bracket, Right Mounting 8,12	198222	Bail, Reset 4
185296	Keytop 25			198223	Latch 4
185297	Keytop 25	192555	Guide Plate, Keytop 8,23	198224	Bracket 4
185298	Keytop 25	192556	Frame 8	198225	Shaft, Drive 4
185299	Keytop 25	192557	Grommet, Rubber 8	198226	Lever 4
185300	Keytop 25	192558	Codebar, CR 9,10,11	198227	Guidepost 4
185301	Keytop 25	192559	Codebar, Counter 9,10,11	198228	Lever, Intermediate 4
185302	Keytop 25	192579	Bushing, Shoulder 9,10	198229	Follower, Eccentric 14
185303	Keytop 25	192589	Post, Stop 16	198230	Post, Lower Spring 4
185304	Keytop 26	192596	Follower, Cam 16	198231	Post Upper Spring 4
185305	Keytop 26	192597	Bracket 17	198232	Link 4,14
185306	Keytop 26	192604	Stud 17	198235	Camsleeve 14
185307	Keytop 26	192629	Shaft 19	198236	Post 16,17,30
185308	Keytop 26	192630	Bracket 2	198237	Follower, Cam 16
185391	Keytop 27	192649	Post, Spring 17	198238	Plate, Nut 2
185392	Keytop 26	193134	Transistor 30	198240	Contact Assembly, Code Reading 1,4
185393	Keytop 26	193565	Coupling, Flexible 19		
185394	Keytop 25	194048	Screw, 4-40 Spl 18	198241	Keytop 28
185395	Keytop 25	194226	Keytop 28	198243	Contact Assembly 4
185396	Keytop 26	194227	Keytop 25	198263	Bracket 3
192007	Terminal, Tab Type 21	194901	Screw, 4-40 Spl 18	198267	Pin 3
192013	Connector, 50 Pt Plug Type 22	194982	Clip, Connector 22	198269	Solenoid Assembly 3
192176	Terminal, Plug Type 22	195050	Bracket 9,10	198270	Bracket 3
192224	Panel, Tape Container 21	195051	Plate 17	198271	Lever 3
192297	Latch 15	195052	Plate, Nut 17	198272	Solenoid 3
192299	Keytop 28	195053	Cover, Insulating 17	198297	Guide, Codebar 4
192318	Jumper, 2-3/4" Black 22	195186	Screw, 4-40 x 7/8 Hex 18	198439	Cable Assembly 21
192497	Bracket 2	195187	Screw, 4-40 x 1-1/2 Hex 18	198458	Switch Assembly, Low Tape 21

NUMERICAL INDEX (Continued)

Part Number	Description and Page Number	Part Number	Description and Page Number	Part Number	Description and Page Number
198460	Arm, Tape 21	306995	Spacer 7	320476	Codebar 11
198461	Plate, Mounting 21	307846	Pinion, 20T 6	320477	Codebar 11
198501	Spring, Lock 2	307847	Gear, 70T 6	320478	Codebar 11
198530	Plate, Spring 10	307852	Gearset, 100 WPM 6	320479	Codebar 11
198531	Plate, Blocking 10	308429	Codebar, No. 3A 11	320480	Lockbar, Shift 11
198533	Plate, Blocking 10	308430	Codebar, No. 6A 11	321727	Guide 12
198534	Arm w/Roller 10	308431	Codebar, No. 7A 11	321918	Gasket 17,30
198535	Post 10	309507	Contact 12	321919	Cover 17,30
198536	Lockbar, Shift 10,11	309508	Bracket, Left 12	321920	Spring, Contact 17,30
198537	Lockbar, Control 10,11	309509	Bracket, Right 12	321921	Spring, Contact 17,30
198538	Codebar, No. 51 10,11	311201	Codebar 11	321922	Plunger 17,30
198539	Bail, Locking 10	311202	Codebar 11	323067	Contact Assembly 10,11
198540	Bail, Locking 10	311203	Codebar 11	323085	Stiffner 10
198541	Screw, 6-40 Shoulder 10	311204	Codebar 11	323097	Bar, Control Lock 11
198542	Codebar, No. 81 10,11	311205	Codebar 11	323606	Diode 30
198543	Codebar, No. 8 10,11	311206	Codebar 11	323607	Diode 30
198544	Guide, Left Codebar 10	311208	Codebar 11	323608	Card, Circuit 30
198545	Guide, Right Codebar 10	311209	Codebar 11	323798	Keytop 28
198547	Codebar, No. 1A 10,11	311211	Lockbar, Shift 11	324009	Bracket 17,30
198548	Codebar, No. 2A 10,11	311285	Screw, 6-40 Shoulder 10	324010	Contact Assembly 17,30
199070	Box Assembly, Contact 1, 18,22	311488	Gearset, 67 WPM 6	324011	Follower, Cam 17,30
199193	Bushing, Insulating 18	311490	Pinion 20T 6	324012	Stud 17,30
199196	Link 18	311491	Gear, 126T 6	324013	Post 17,30
199329	Arm, Tape 21	311531	Codebar 11	324059	Shaft 7
199330	Modification Kit 1,21	311533	Codebar 11	324129	Spring 10
199332	Switch Assembly, Low Tape 21	311741	Bracket, Spacebar 8	324488	Camsleeve 14
199333	Cable Assembly 21	312486	Spring, Contact 10	324532	Screw, 4-40 x 3/16 Hex 10,12
199334	Cable w/Terminals 21	312994	Modification Kit 12	324580	Codebar 11
199999	Modification Kit 1,29	312995	Bar, Retainer 12	324584	Modification Kit 1,30
300102	Diode 30	315860	Gear, 117T 6	326729	Gear Assembly, Intermediate 1,7
300384	Capacitor, .0047 MFD 30	315861	Pinion, 19T 6	327450	Label 18
300385	Diode 30	315865	Gearset, 100 WPM 6	329089	Spring 9,10
305064	Keytop 28	315930	Transistor 30	329251	Keytop 28
305632	Pinion, 22T 19	315932	Transistor 30	330714	Insulator 12
305633	Gear, 55T 19	319394	Setscrew, 10-24 19	330963	Keylever 12,23
305634	Bracket Assembly, Bearing 1,19	320410	Terminal, Spade Type 22	330964	Keylever 12,23
305635	Shaft w/Bearings 19	320416	Terminal, Ring Type 22	330965	Keylever 23
306991	Bracket 7	320418	Terminal, Ring Type 22	330966	Keylever 23
306992	Clamp 7	320471	Codebar 11	333518	Bail, Space Bar 8,12
306993	Plate 7	320472	Codebar 11	336989	Spring, Torsion 5
		320473	Codebar 11		
		320474	Codebar 11		
		320475	Codebar 11		