

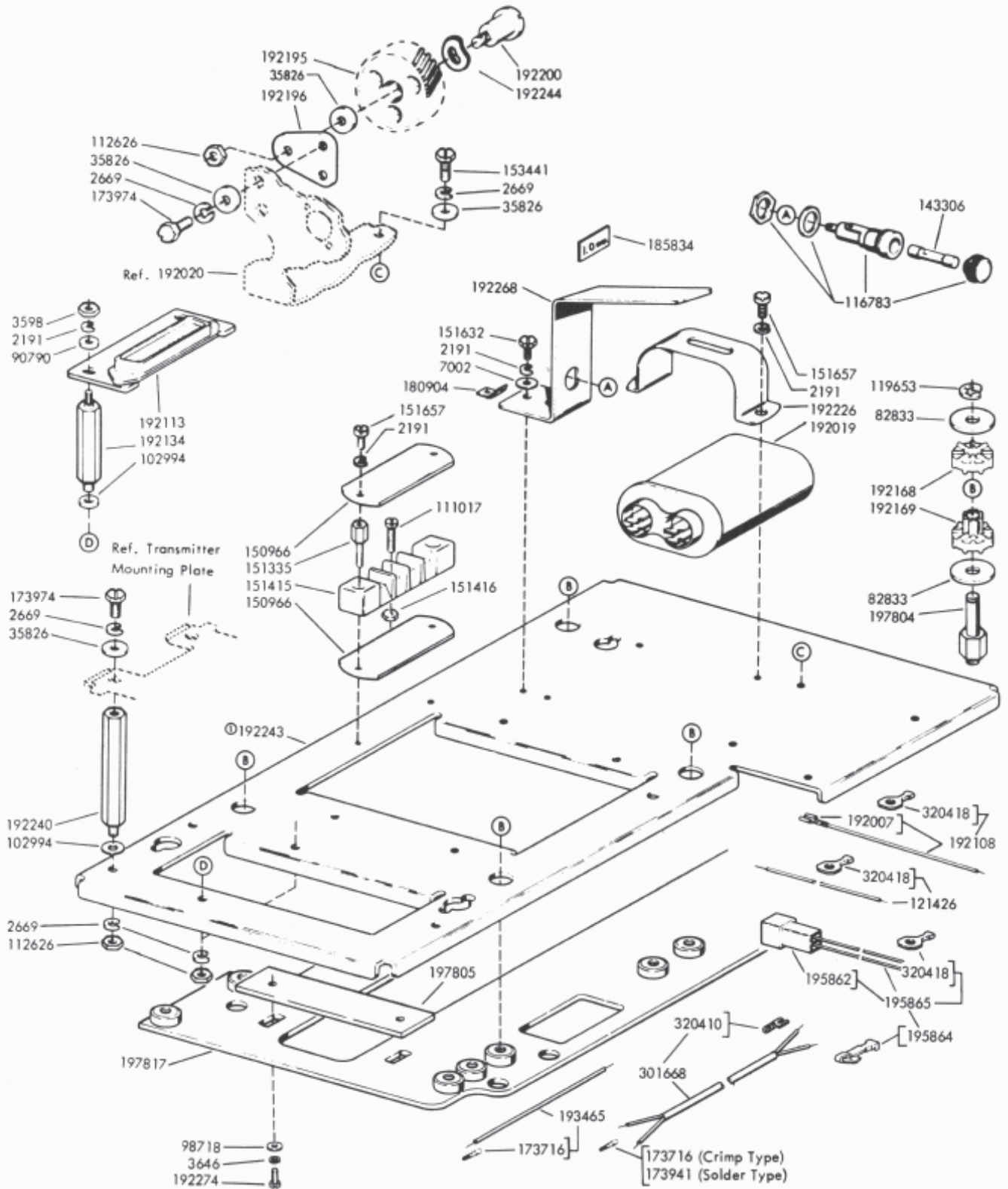
35 TRANSMITTER DISTRIBUTOR BASE (LCXB)

PARTS

FIGURE	CONTENTS	PAGE
1	Base Components for 1800 RPM Motor	2
2	Base Components for 3600 RPM Motor	3
3	Base Components With Extension Plate for 1800 RPM Motor	4
4	Motor and Mounting Parts (for the 192120, 334681 and 334000 Motors)	5
5	Motor and Mounting Parts (for the 195801, 334400 and 342118 Motors)	6
6	197828 Shaft Assembly	7
7	197816, 197820, 197831 and 199491 Shaft Assemblies	8
8	Motor and Mounting Parts (for the 321000 Motor)	9
9	183991 Series Motor	10
10	192002 and 324483 Answer-Back Assemblies	11
11	Coding Instructions for the Answer-Back Drum	12
12	Cabinet Mounted Components	13
	Numerical Index	14

PAINT FINISH COLOR CODE CHART			
COLOR	Finish Suffix		
	Smooth Finish	Textured Vinyl	Smooth Vinyl
Charcoal Gray	BZ		HA
Dark Covert Gray	FC		
Light Gray			HB
Light Olive Gray	EW		HF
Gray Green	BK	GA	

The double asterisk(**) denotes a painted part.
Suffix to be applied following the part number.



⊙ Not for use with Auxiliary Reperforator Base

FIGURE 1. BASE COMPONENTS FOR 1800 RPM MOTOR

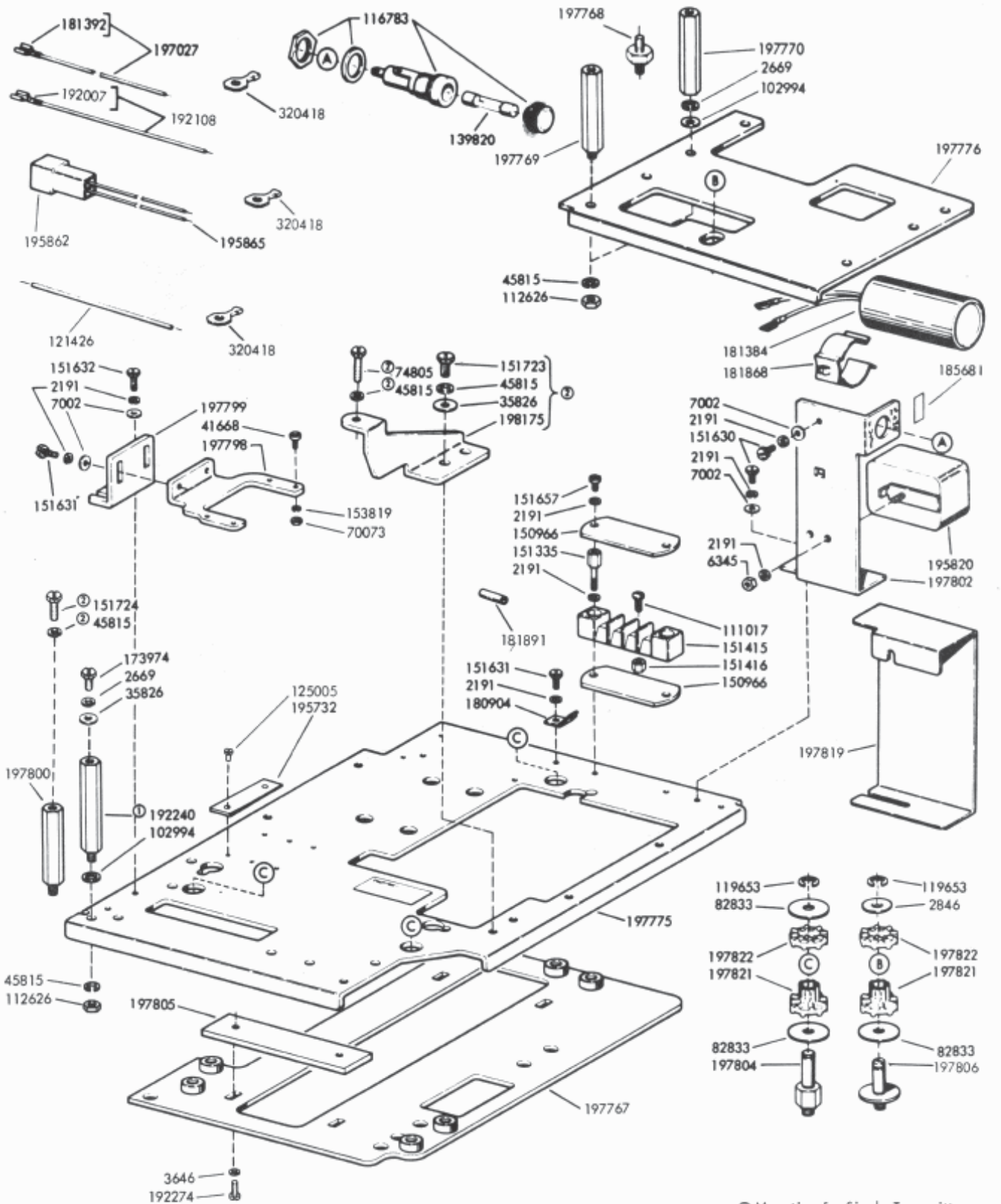
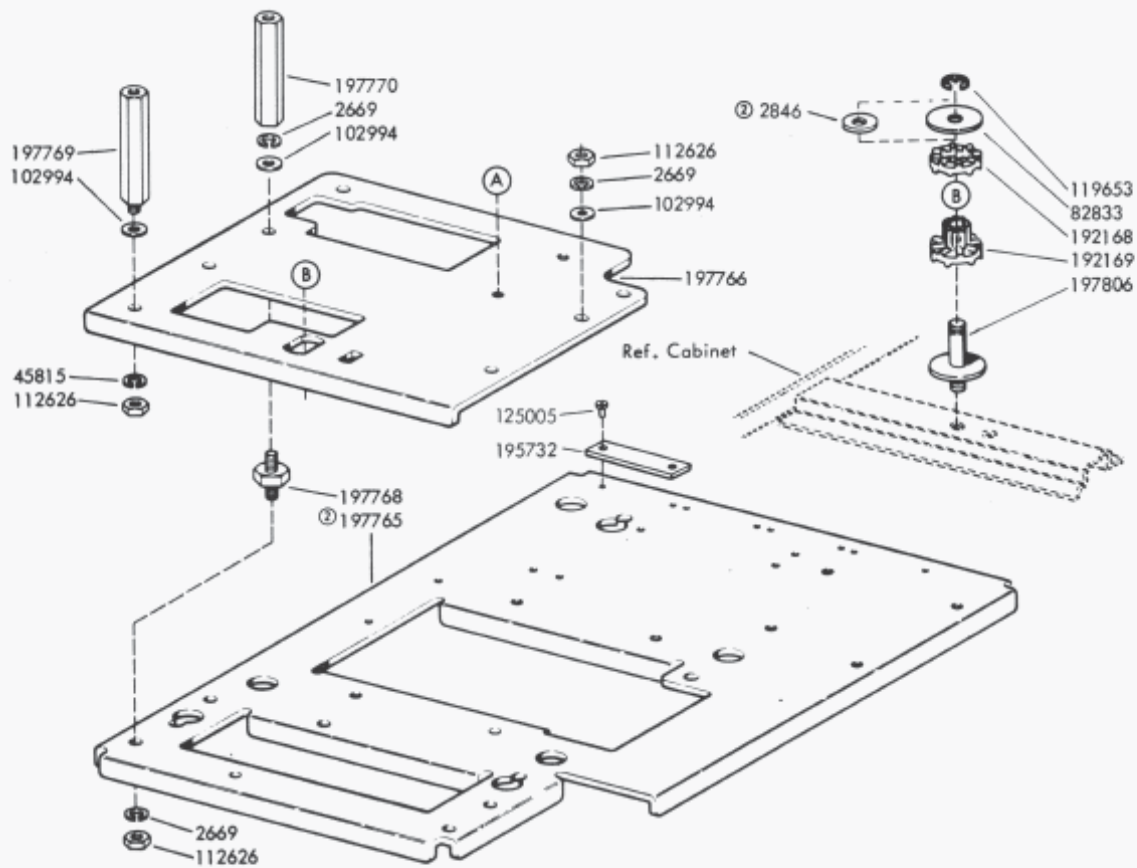
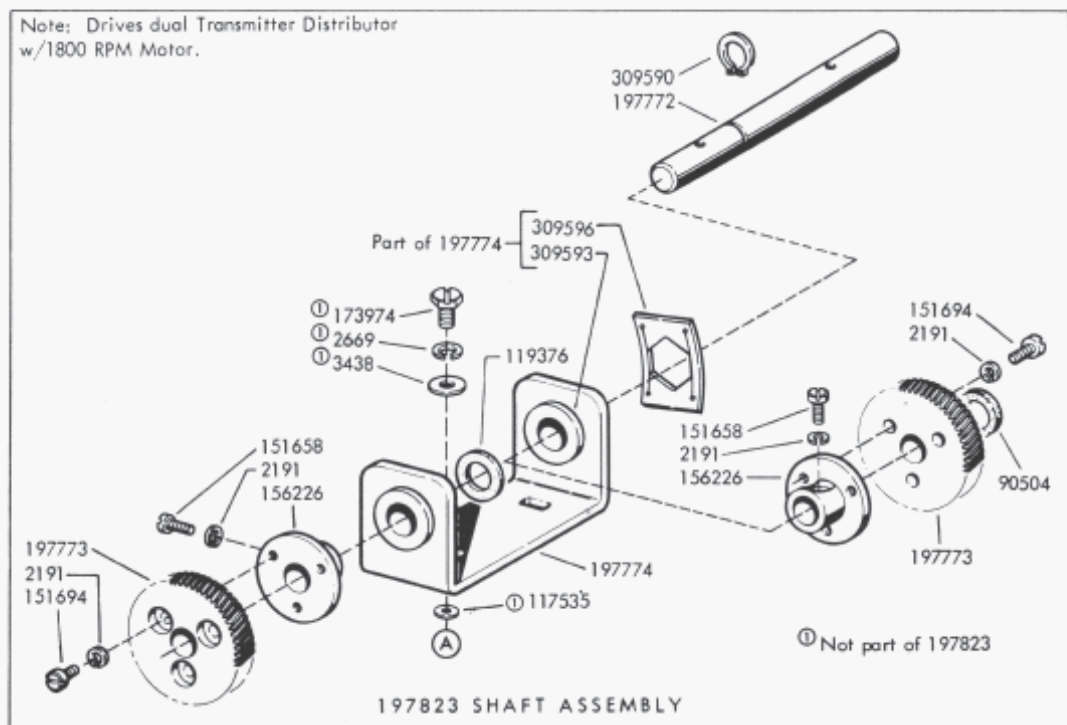


FIGURE 2. BASE COMPONENTS FOR 3600 RPM MOTOR



② Auxilliary Reperfector Base

FIGURE 3. BASE COMPONENTS WITH EXTENSION PLATE FOR 1800 RPM MOTOR

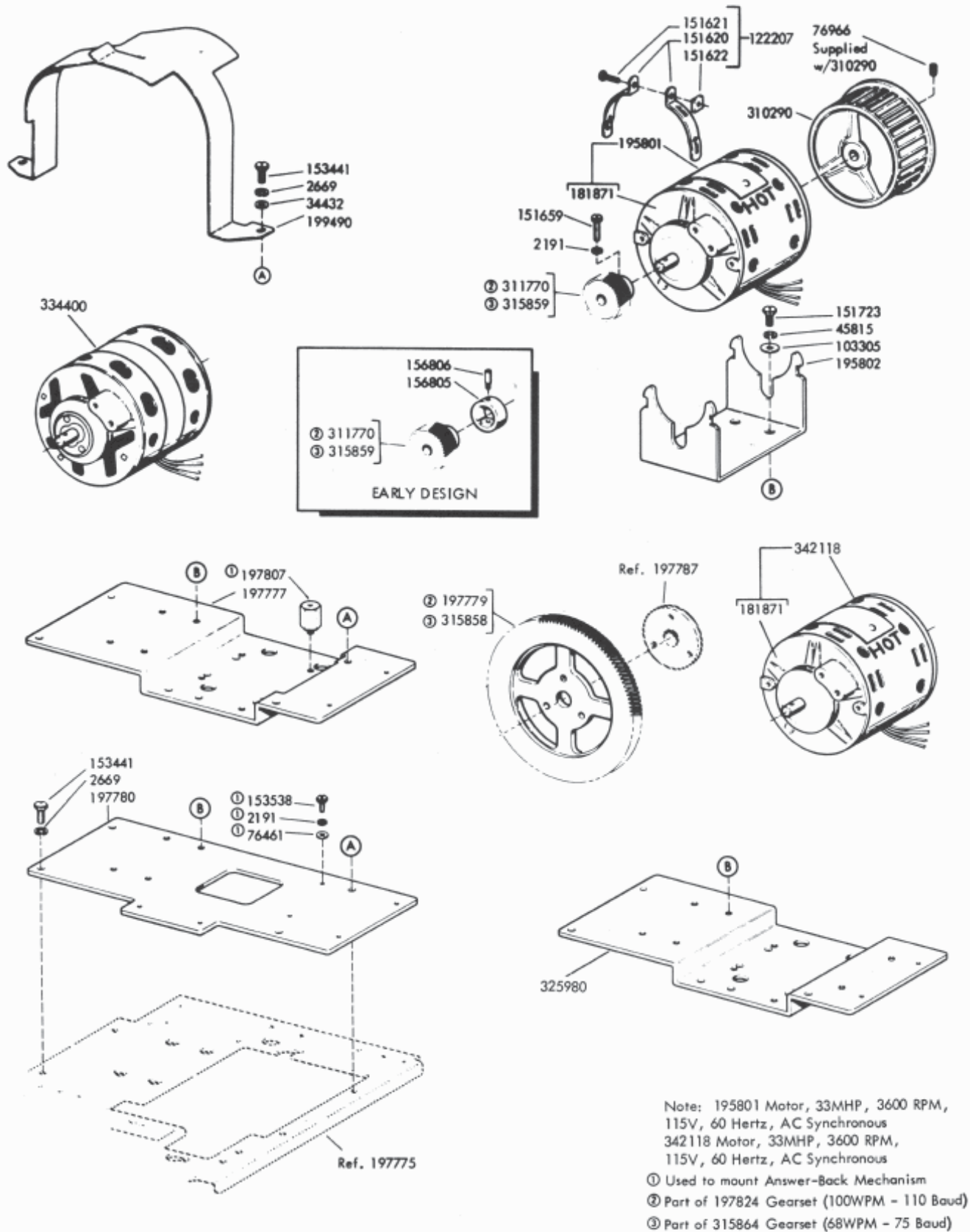


FIGURE 5. MOTOR AND MOUNTING PARTS (for the 195801, 334400 and 342118 MOTORS)

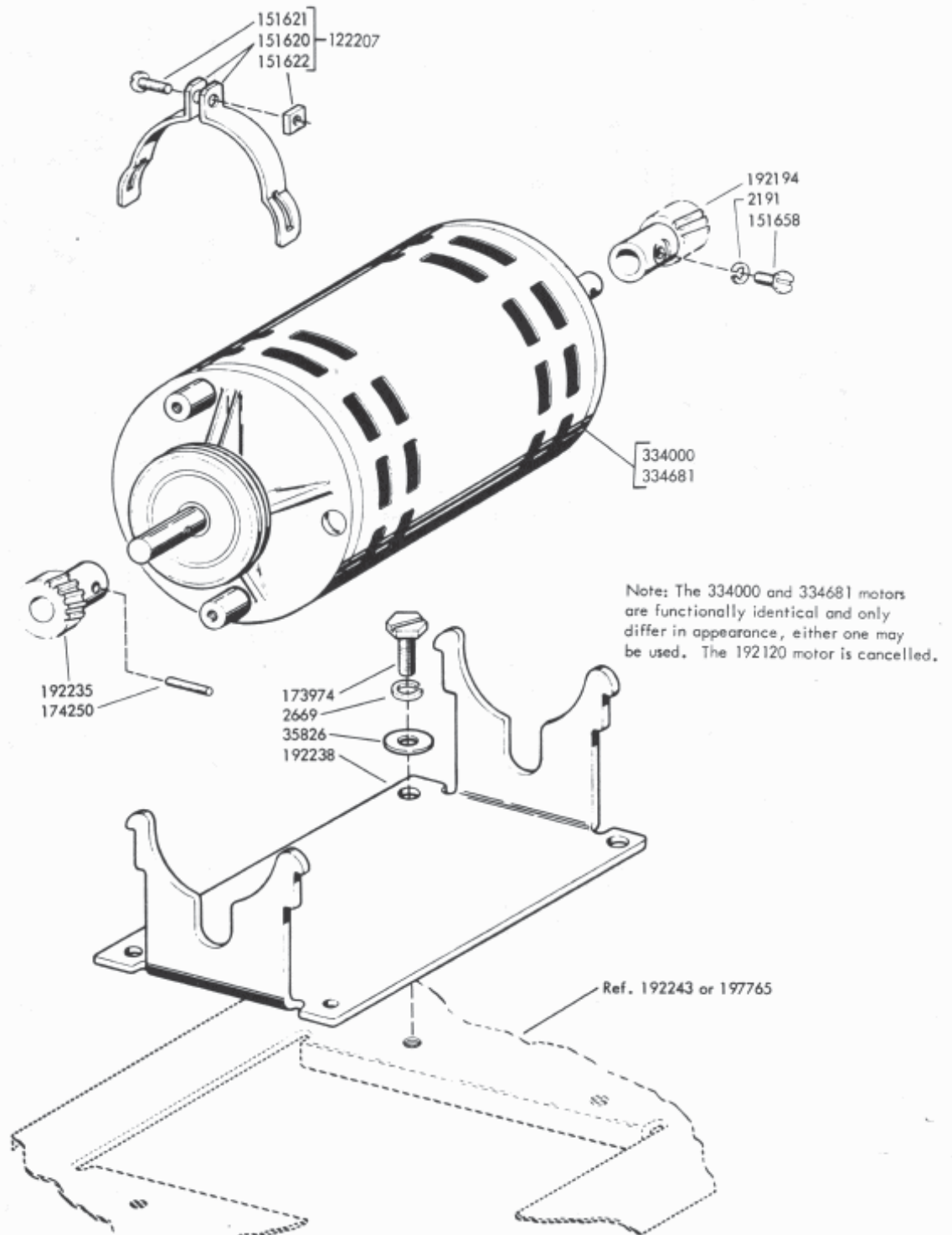
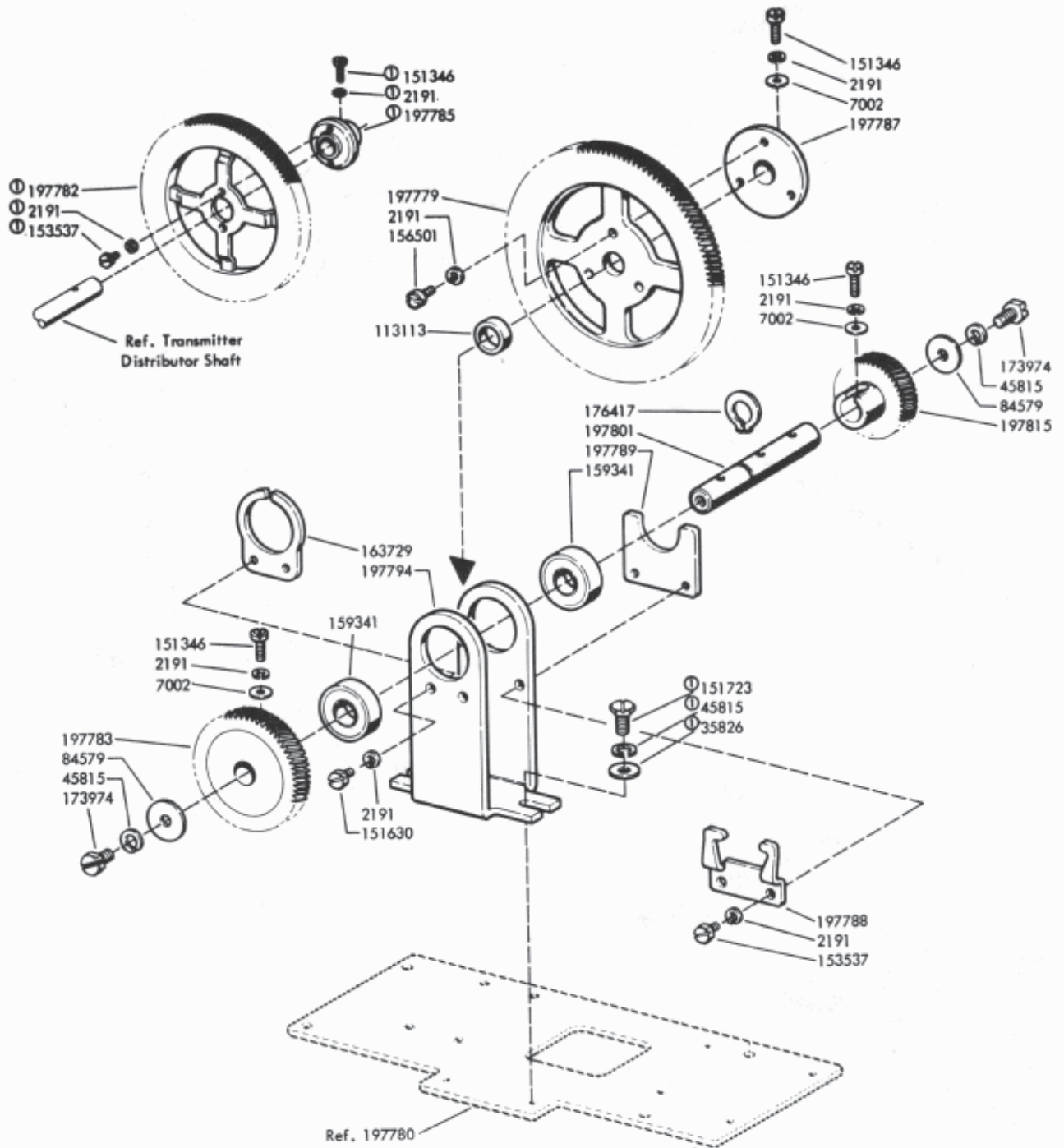


FIGURE 4. MOTOR AND MOUNTING PARTS (FOR THE 192120, 334681 AND 334000 MOTORS)



Note: Drives a Two-Shaft Transmitter Distributor at 3600 RPM
 ⓐ Not part of 197828

FIGURE 6. 197828 SHAFT ASSEMBLY

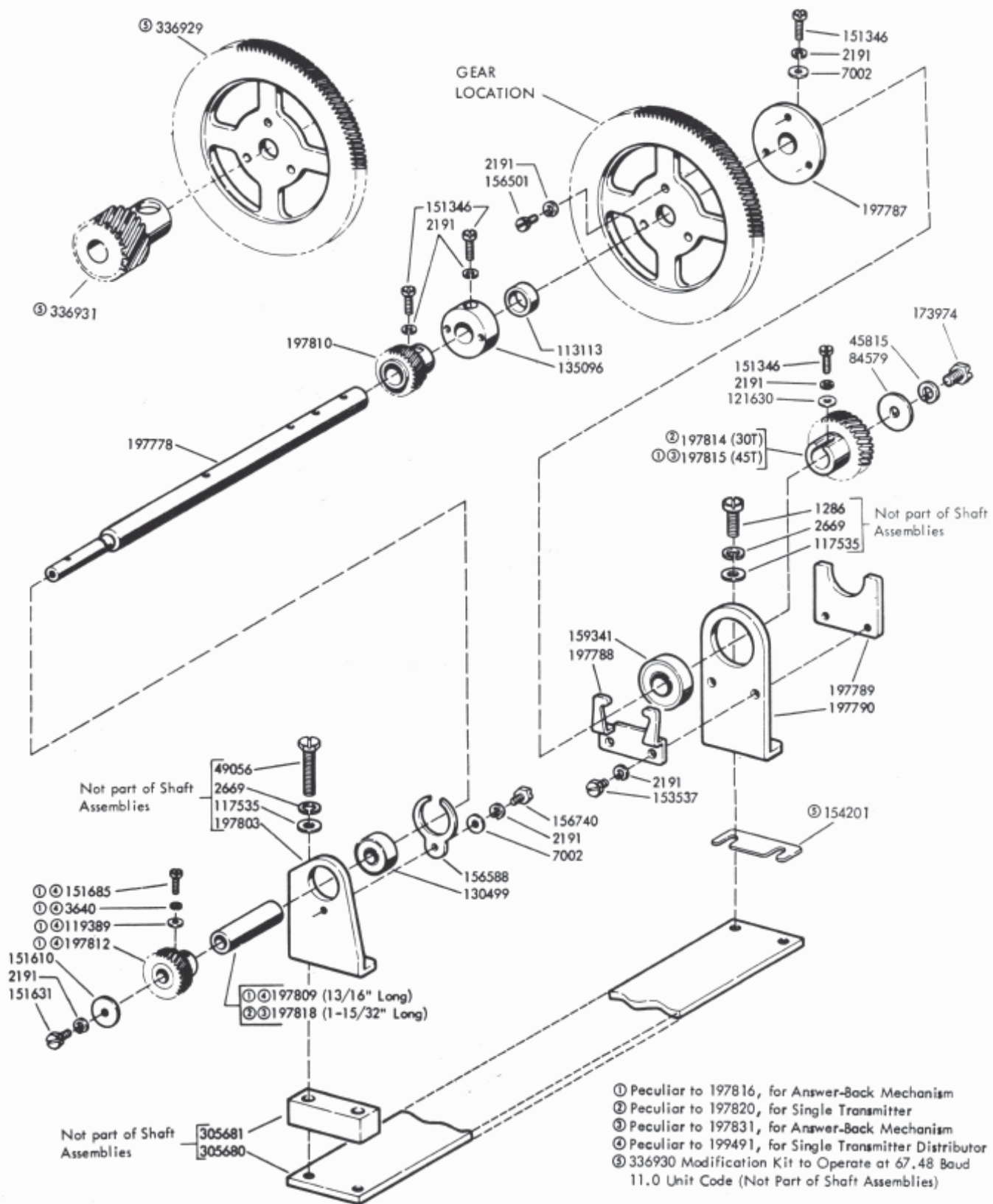
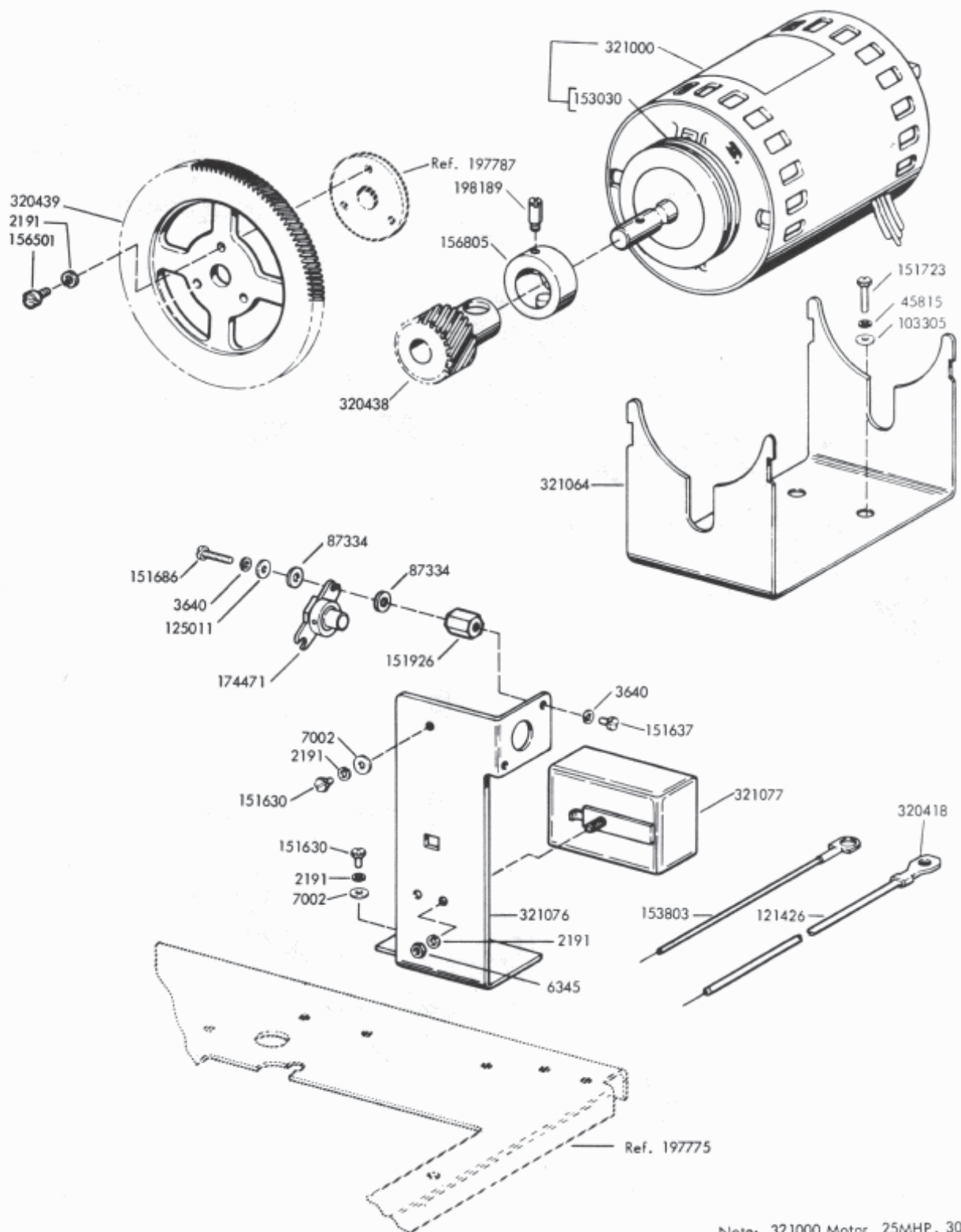
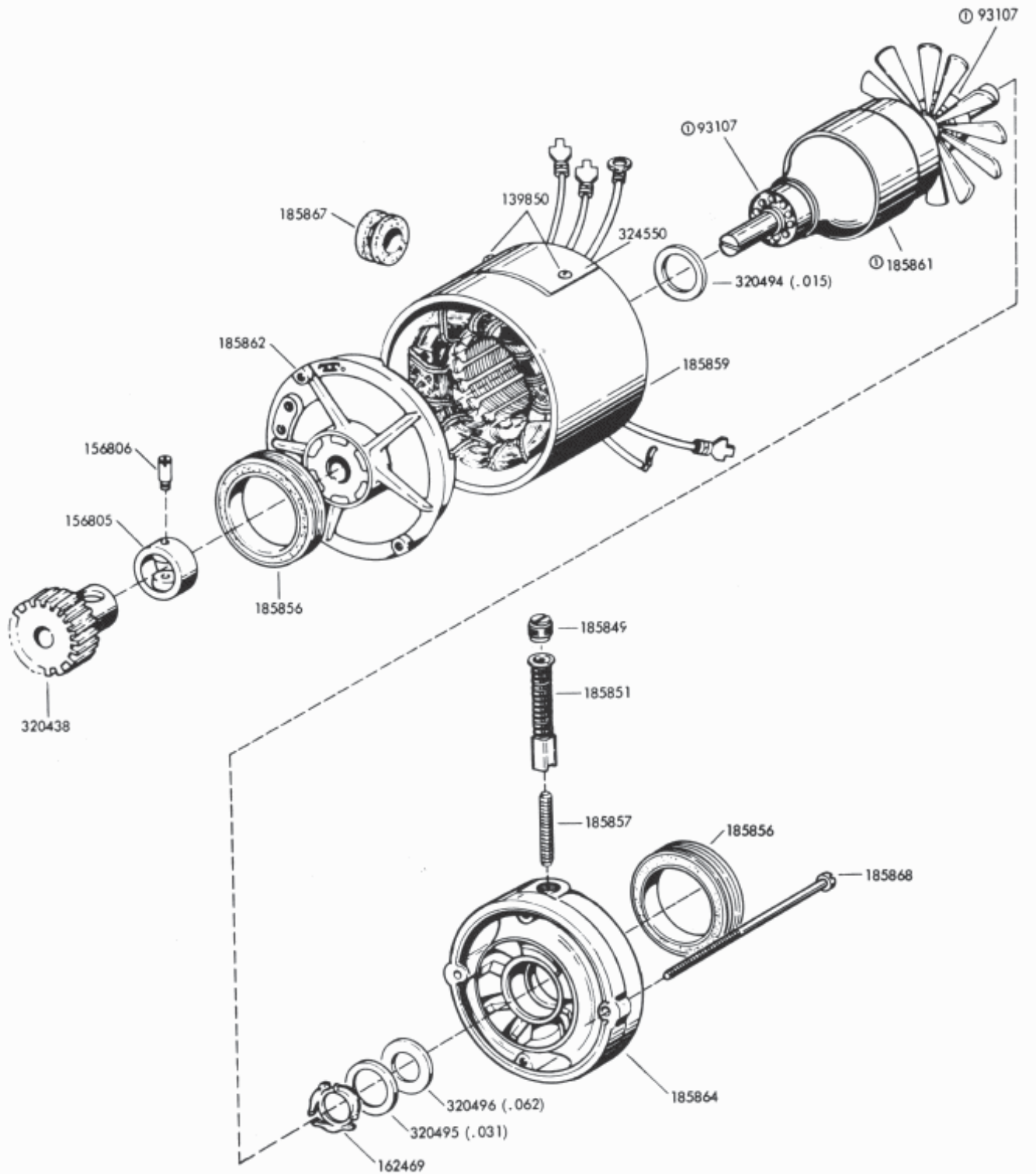


FIGURE 7. 197816, 197820, 197831 AND 199491 SHAFT ASSEMBLIES



Note: 321000 Motor, 25MHP, 3000 RPM,
115V, 50 Hertz, AC Synchronous

FIGURE 8. MOTOR AND MOUNTING PARTS (for the 321000 MOTOR)



Note: 183991 Motor, 1/12HP, 3600 RPM,
115V, 50 Hertz, DC Series

Ⓢ Part of 185860 Rotor Assembly

FIGURE 9. 183991 SERIES MOTOR

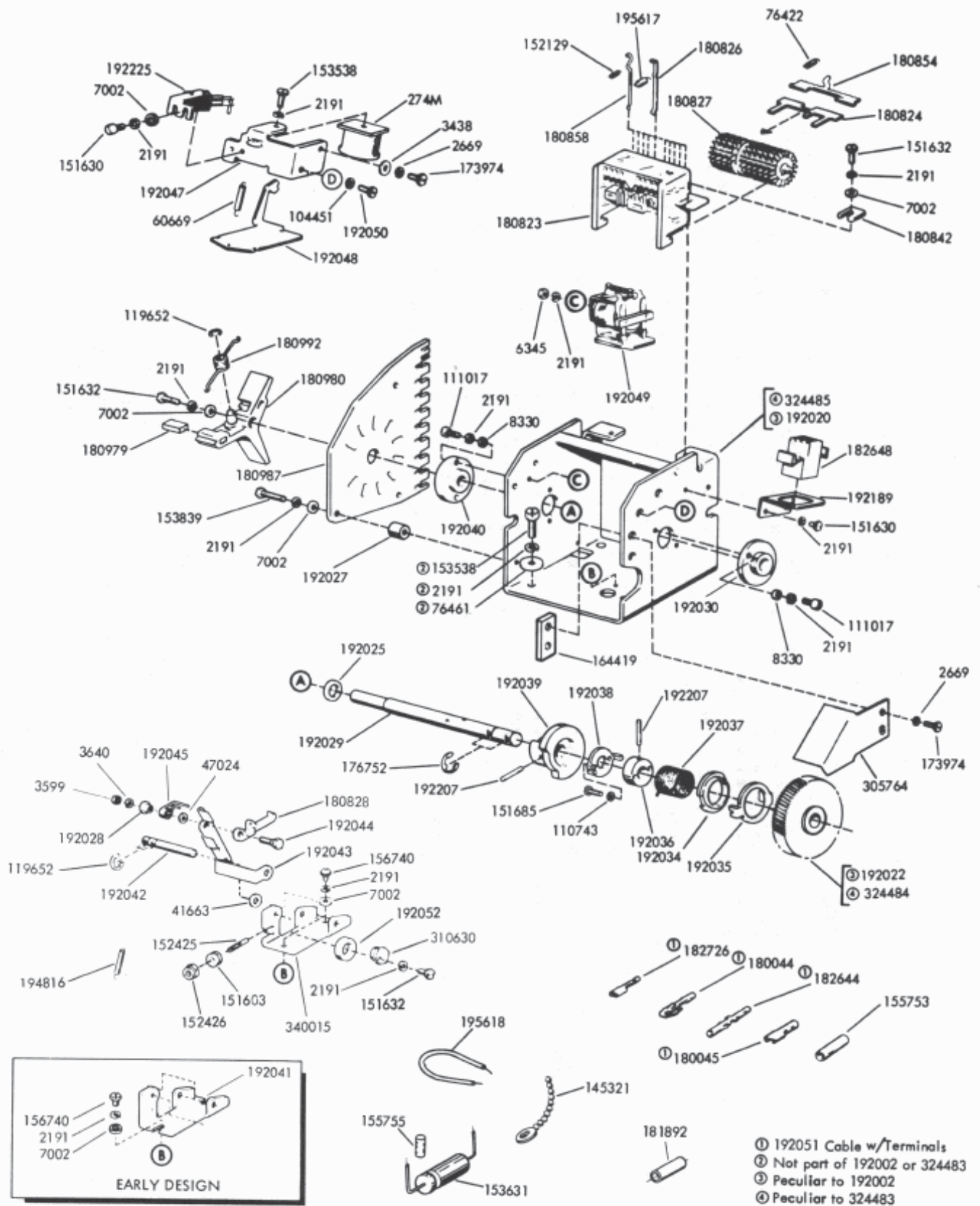
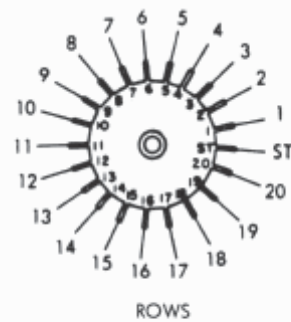
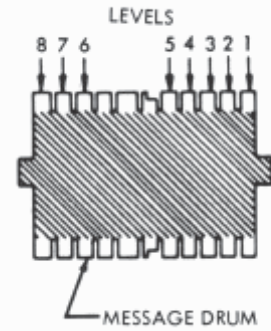


FIGURE 10. 192002 AND 324483 ANSWER-BACK ASSEMBLIES

	CODE LEVELS									CODE LEVELS							
	8	7	6	5	4	3	2	1		8	7	6	5	4	3	2	1
NULL	■	■	■	■	■	■	■	■	2	□	□	□	□	□	□	□	□
SOM	□	■	■	■	■	■	■	■	3	■	■	■	■	■	■	■	■
STX	□	■	■	■	■	■	■	■	4	□	□	□	□	□	□	□	□
EXT	■	■	■	■	■	■	■	■	5	■	■	■	■	■	■	■	■
EOT	□	■	■	■	■	■	■	■	6	□	□	□	□	□	□	□	□
WRU	■	■	■	■	■	■	■	■	7	■	■	■	■	■	■	■	■
ACK	■	■	■	■	■	■	■	■	8	□	□	□	□	□	□	□	□
BELL	□	■	■	■	■	■	■	■	9	■	■	■	■	■	■	■	■
FE ₀	□	■	■	■	■	■	■	■	:	□	□	□	□	□	□	□	□
TAB	■	■	■	■	■	■	■	■	:	□	□	□	□	□	□	□	□
LINE FEED	■	■	■	■	■	■	■	■	<	□	□	□	□	□	□	□	□
VT	□	■	■	■	■	■	■	■	=	□	□	□	□	□	□	□	□
FF	■	■	■	■	■	■	■	■	>	□	□	□	□	□	□	□	□
RETURN	□	■	■	■	■	■	■	■	?	■	■	■	■	■	■	■	■
SO	□	■	■	■	■	■	■	■	@	□	□	□	□	□	□	□	□
SI	■	■	■	■	■	■	■	■	A	□	□	□	□	□	□	□	□
DLE	□	■	■	■	■	■	■	■	B	□	□	□	□	□	□	□	□
X-ON	■	■	■	■	■	■	■	■	C	□	□	□	□	□	□	□	□
R-ON	■	■	■	■	■	■	■	■	D	□	□	□	□	□	□	□	□
X-OFF	□	■	■	■	■	■	■	■	E	□	□	□	□	□	□	□	□
R-OFF	■	■	■	■	■	■	■	■	F	□	□	□	□	□	□	□	□
ERROR	□	■	■	■	■	■	■	■	G	■	■	■	■	■	■	■	■
SYNCH	□	■	■	■	■	■	■	■	H	■	■	■	■	■	■	■	■
EOB	■	■	■	■	■	■	■	■	I	□	□	□	□	□	□	□	□
S ₀	■	■	■	■	■	■	■	■	J	□	□	□	□	□	□	□	□
S ₁	□	■	■	■	■	■	■	■	K	□	□	□	□	□	□	□	□
S ₂	□	■	■	■	■	■	■	■	L	□	□	□	□	□	□	□	□
ESC(new)	■	■	■	■	■	■	■	■	M	□	□	□	□	□	□	□	□
S ₃	□	■	■	■	■	■	■	■	N	□	□	□	□	□	□	□	□
S ₄	■	■	■	■	■	■	■	■	O	□	□	□	□	□	□	□	□
S ₅	□	■	■	■	■	■	■	■	P	□	□	□	□	□	□	□	□
S ₆	□	■	■	■	■	■	■	■	Q	□	□	□	□	□	□	□	□
SPACE	□	■	■	■	■	■	■	■	R	□	□	□	□	□	□	□	□
!	■	■	■	■	■	■	■	■	S	□	□	□	□	□	□	□	□
"	□	■	■	■	■	■	■	■	T	□	□	□	□	□	□	□	□
#	□	■	■	■	■	■	■	■	U	□	□	□	□	□	□	□	□
\$	■	■	■	■	■	■	■	■	V	□	□	□	□	□	□	□	□
%	□	■	■	■	■	■	■	■	W	□	□	□	□	□	□	□	□
&	□	■	■	■	■	■	■	■	X	□	□	□	□	□	□	□	□
'	■	■	■	■	■	■	■	■	Y	■	■	■	■	■	■	■	■
(■	■	■	■	■	■	■	■	Z	■	■	■	■	■	■	■	■
)	□	■	■	■	■	■	■	■	[□	□	□	□	□	□	□	□
*	□	■	■	■	■	■	■	■	\	□	□	□	□	□	□	□	□
+	■	■	■	■	■	■	■	■]	□	□	□	□	□	□	□	□
,	□	■	■	■	■	■	■	■	^	□	□	□	□	□	□	□	□
-	■	■	■	■	■	■	■	■	~	□	□	□	□	□	□	□	□
.	■	■	■	■	■	■	■	■	ACK	□	□	□	□	□	□	□	□
/	□	■	■	■	■	■	■	■		□	□	□	□	□	□	□	□
0	□	■	■	■	■	■	■	■	ESC (old)	□	□	□	□	□	□	□	□
1	□	■	■	■	■	■	■	■	RUB OUT	□	□	□	□	□	□	□	□
1 CYCLE OPER., ROW 6										■	■	■	■	■	■	■	■
1 CYCLE OPER., ROW 1										■	■	■	■	■	■	■	■
2 CYCLE OPER., ROWS 6 & 17										■	■	■	■	■	■	■	■
2 CYCLE OPER., ROWS 1 & 12										■	■	■	■	■	■	■	■
3 CYCLE OPER., ROWS 6,13,20										■	■	■	■	■	■	■	■
3 CYCLE OPER., ROWS 1,8,15										■	■	■	■	■	■	■	■

CHARACTER SUPPRESSION
STOP CAM
FEED RATCHET



■ LEAVE TINE
□ REMOVE TINE

Note: 8TH - Code level must be coded as shown for even parity operation, otherwise 8TH - Code level tine may be removed for all characters.

FIGURE 11. CODING INSTRUCTIONS FOR THE ANSWER BACK DRUM

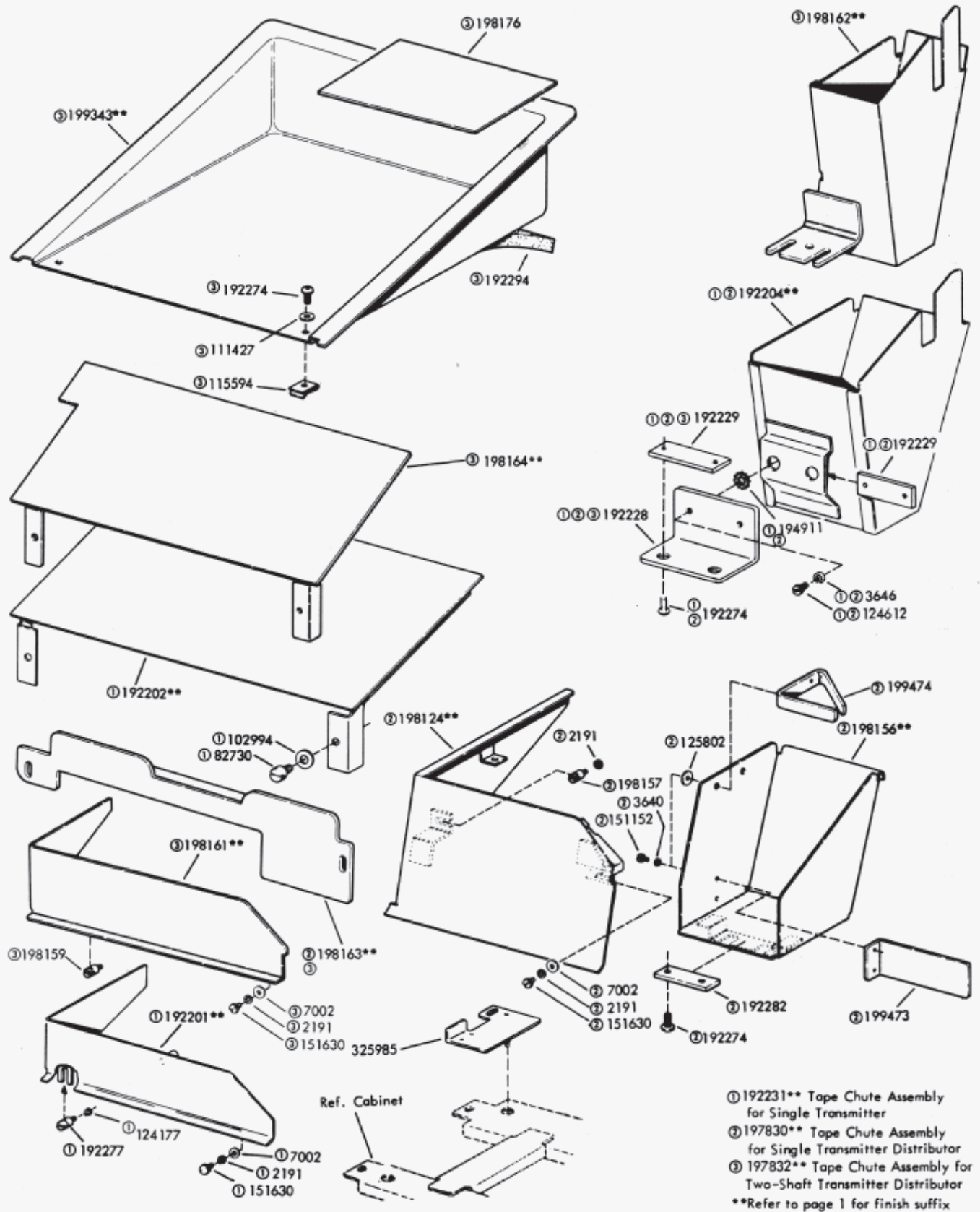


FIGURE 12. CABINET MOUNTED COMPONENTS

NUMERICAL INDEX

Part Number	Description and Page Number	Part Number	Description and Page Number	Part Number	Description and Page Number
274M	Coil, Magnet 11	119652	Ring, Retaining 11	151724	Screw, 10-32 x 5/8 Hex 3
1286	Screw, 10-32 x 7/16 Fil 8	119653	Ring, Retaining 2,3,4	151926	Nut, 4-40 Spl 9
2191	Lockwasher, 2 to 9,11,13	121426	Jumper, 7-3/4" Black 2, 3,9	152129	Spring 11
2669	Lockwasher, 2 to 6,8,11	121630	Washer, Flat 8	152425	Post, Spring 11
2846	Washer, Flat 3,4	122207	Strap Assembly 5,6	152426	Nut, 6-40 Self-Locking 11
3438	Washer, Flat 4,11	124177	Lockwasher 13	153030	Mount, Vibration 9
3598	Nut, 6-40 Hex 2	124612	Screw, 8-32 x 1/2 Hex 13	153441	Screw, 10-32 x 7/16 Hex 2,6
3599	Nut, 4-40 Hex 11	125005	Screw, 8-32 x 3/8 Flat 3,4	153537	Screw, 6-40 x 9/32 Hex 7, 8
3640	Lockwasher 8,9,11,13	125011	Washer, Flat 9	153538	Screw, 6-40 x 7/16 Hex 6, 11
3646	Lockwasher 2,3,13	125802	Washer, Flat 13	153631	Network, Spark Suppression 11
6345	Nut, 6-32 Hex 3,9,11	130499	Bearing, Ball 8	153803	Jumper, 5" Slate 9
7002	Washer, Flat 2,3,7,8,9, 11,13	135096	Hub 8	153819	Lockwasher 3
8330	Washer, Flat 11	139820	Fuse, SL-BL 2.5 Amp 3	153839	Screw, 6-40 x 5/8 Hex 11
34432	Washer, Flat 6	139850	Screw, Drive 10	154201	Shim, .014" Thk 8
35826	Washer, Flat 2,3,5,7	143306	Fuse, SL-BL 1 Amp 2	155753	Sleeve, 1/8 ID x 1/2" Lg Insulating 11
41663	Washer, Flat 11	145321	Tie, Cable 11	155755	Sleeve, 11/64 ID x 5/8" Lg Insulating 11
41668	Screw, 3-48 Shoulder 3	150966	Insulator, Terminal Block 2,3	156226	Hub 4
45815	Lockwasher 3,4,6,7,8,9	151152	Screw, 4-40 x 3/16 Hex 13	156501	Screw, 6-40 x 7/32 Fil 7, 8,9
47024	Washer, Flat 11	151335	Stud 2,3	156588	Ring, Retaining 8
49056	Screw, 10-32 x 7/8 Hex 8	151346	Screw, 6-40 x 3/8 Fil 7, 8	156740	Screw, 6-40 x 7/32 Hex 8,11
60669	Spring 11	151415	Block, Terminal 2,3	156805	Retainer 6,9,10
70073	Nut, 3-48 Hex 3	151416	Nut, 6-40 Hex 2,3	156806	Post 6,10
74805	Screw, 10-32 x 3/4 Hex 3	151603	Spacer 11	159341	Bearing, Ball 7,8
76422	Spring 11	151610	Washer, Flat 8	162469	Washer, Spring 10
76461	Washer, Flat 6,11	151620	Strap, Motor Mounting 5, 6	163729	Clamp, Bearing 7
76966	Screw, 10-32 Set 6	151621	Screw, 6-32 x 3/4 Rd 5,6	164419	Plate, Nut 11
82730	Screw, 10-32 Shoulder 13	151622	Nut, 6-32 Sq 5,6	173716	Terminal, Receptacle Type 2
82833	Washer, Flat 2,3,4	151630	Screw, 6-40 x 1/4 Hex 3, 7,9,11,13	173941	Terminal, Receptacle Type 2
84579	Washer, Flat 7,8	151631	Screw, 6-40 x 5/16 Hex 3, 8	173974	Screw, 10-32 x 5/16 Hex 2,3,4,5,7,8,11
87334	Washer, Insulating 9	151632	Screw, 6-40 x 3/8 Hex 2, 3,11	174250	Pin, Roll 5
90504	Washer, Felt 4	151637	Screw, 6-40 x 1/4 Fil 9	174471	Switch, Thermostatic 9
90790	Washer, Flat 2	151657	Screw, 6-40 x 1/4 Fil 2,3	176417	Ring, Retaining 7
93107	Bearing, Ball 10	151658	Screw, 6-40 x 5/16 Fil 4, 5	176752	Ring, Retaining 11
98718	Washer, Flat 2	151659	Screw, 6-40 x 1/2 Fil 6	180044	Terminal, Tab Type 11
102994	Washer, Flat 2,3,4,13	151685	Screw, 4-40 x 5/16 Fil 8, 11	180045	Terminal, Tab Type 11
103305	Washer, Flat 6,9	151686	Screw, 4-40 x 3/8 Fil 9	180823	Block, Contact 11
104451	Lockwasher 11	151694	Screw, 6-40 x 11/32 Fil 4	180824	Contact, Common 11
110743	Lockwasher 11	151723	Screw, 10-32 x 3/8 Hex 3, 6,7,9		
111017	Screw, 6-40 x 5/16 Fil 2, 3,11				
111427	Washer, Flat 13				
112626	Nut, 10-32 Hex 2,3,4				
113113	Spacer, .173" Thk 7,8				
115594	Nut, Speed 13				
116783	Holer, Fuse 2,3				
117535	Washer, Flat 4,8				
119376	Washer, Flat 4				
119389	Washer, Flat 8				

NUMERICAL INDEX (Continued)

Part Number	Description and Page Number	Part Number	Description and Page Number	Part Number	Description and Page Number
180826	Lever, Detent 11	192029	Shaft, Main 11	192244	Washer, Spring 2
180827	Drum, Answer-Back 11	192030	Bearing 11	192268	Guard, Gear 2
180828	Pawl, Feed 11	192034	Bearing, Clutch 11	192274	Screw, 8-32 Spl 2,3,13
180842	Spacer, .050" Thk 11	192035	Lever, Clutch Release 11	192277	Stud 13
180854	Brace 11	192036	Drum, Shaft 11	192282	Plate, Nut 13
180858	Contact, Wire 11	192037	Spring, Right Clutch 11	192294	Pad, Tray 13
180904	Tab, Terminal 2,3	192038	Lever, Stop 11	193465	Jumper, 3/4" Black 2
180979	Brush, Carbon 11	192039	Common, Feed 11	194816	Spring 11
180980	Holder, Brush 11	192040	Bearing 11	194911	Lockwasher 13
180987	Disc, 8 Level 11	192041	Bracket, Feed Lever 11	195617	Spring 11
180992	Spring, Torsion 11	192042	Shaft 11	195618	Jumper, 5-1/4" White-Purple 11
181384	Capacitor, 88-108 MFD 3	192043	Bail, Feed 11	195732	Plate, Identification 3,4
181392	Terminal, Tab Type 3	192044	Screw, 4-40 Shoulder 11	195801	Motor, 115 V AC Synchronous 1,6
181868	Clip, Speed 3	192045	Spring, Feed Pawl 11	195802	Bracket, Motor Mounting 6
181871	Shield, End 6	192047	Bracket, Yoke 11	195820	Relay, Motor 3
181891	Sleeve, 3/16 ID x 2-1/2" Lg Insulating 3	192048	Armature, Clutch Trip 11	195862	Connector, 2 Pt Plug 2,3
181892	Sleeve, 9/16 x ID x 1" Lg Insulating 11	192049	Relay 11	195864	Terminal 2
182644	Terminal, Receptacle Type 11	192050	Screw, 10-32 Shoulder 11	195865	Cable Assembly 2,3
182648	Connector, 12 Pt Receptacle Type 11	192051	Cable w/Terminals 11	197027	Jumper, 9" Black 3
182726	Terminal, Receptacle Type 11	192052	Ring 11	197765	Plate, Mounting 4,5
183991	Motor, 1/12 HP Series 1, 10	192108	Jumper, 4-1/2" Slate 2,3	197766	Plate, Extension 4
185681	Plate, Identification 3	192113	Plate w/50 Pt Receptacle Type Connector 2	197767	Plate 3
185834	Plate, Identification 2	192120	Motor, 115 V AC Synchronous 1,5	197768	Stud 3,4
185849	Cap, Brush 10	192134	Post 2	197769	Post 3,4
185851	Brush 10	192168	Ring 2,4	197770	Post 3,4
185856	Ring, Cushion 10	192169	Bushing 2,4	197772	Shaft 4
185857	Stud 10	192189	Bracket, Connector 11	197773	Gear, 60T 4
185859	Stator 10	192194	Gear, 30T 5	197774	Bracket 4
185860	Rotor Assembly 10	192195	Gear, 63T 2	197775	Base 3,6,9
185861	Rotor w/Fan 10	192196	Plate, Idler 2	197776	Plate, Top 3
185862	Shield Assembly, End 10	192200	Stud 2	197777	Plate 6
185864	Shield Assembly, End 10	192201**	Coverplate 13	197778	Shaft 8
185867	Grommet, Rubber 10	192202**	Plate w/Brackets 13	197779	Gear, 120T 6,7
185868	Bolt, 6-32 x 3 Rd 10	192204**	Chute, Tape 13	197780	Plate, Mounting 6,7
192002	Answer-Back Assembly 1, 11	192207	Pin, Roll 11	197782	Gear, 118T 7
192007	Terminal, Tab Type 2,3	192225	Contact Assembly 11	197783	Gear, 59T 7
192019	Capacitor, 3 MFD 2	192226	Bracket, Capacitor Mounting 2	197785	Hub 7
192020	Bracket, Mounting 2,11	192228	Bracket 13	197787	Hub, Gear 6,7,8,9
192022	Gear, 90T 11	192229	Plate, Nut 13	197788	Clamp 7,8
192025	Washer, Flat 11	192231**	Chute Assembly, Tape 13	197789	Plate 7,8
192027	Spacer, Disc 11	192235	Gear, 20T 5	197790	Plate, Bearing Mounting 8
192028	Bushing, Shoulder 11	192238	Bracket, Motor Mounting 5	197794	Bracket, Bearing Mounting 7
		192240	Post 2,3	197798	Bracket, Connector 3
		192243	Plate, Mounting 2,5	197799	Bracket 3

**Refer to page 1 for finish suffix

NUMERICAL INDEX (Continued)

Part Number	Description and Page Number	Part Number	Description and Page Number	Part Number	Description and Page Number
197800	Post, Gear 3	198156**	Compartment, Tape 13	320418	Terminal, Ring Type 2,3,9
197801	Shaft 7	198157	Post 13	320438	Pinion, 46T 9,10
197802	Bracket, Capacitor Mounting 3	198159	Post 13	320439	Gear, 115T 9
197803	Plate, Bearing Mounting 8	198161**	Coverplate 13	320494	Spacer, .015" Thk 10
197804	Stud 2,3	198162**	Funnel, Tape 13	320495	Spacer, .031" Thk 10
197805	Plate, Nut 2,3	198163**	Fence, Bracket 13	320496	Spacer, .062" Thk 10
197806	Stud 3,4	198164**	Plate 13	321000	Motor, Synchronous 1,9
197807	Stud 6	198175	Bracket 3	321064	Bracket, Motor 9
197809	Spacer, .798" Thk 8	198176	Plate w/Studs 13	321076	Bracket, Mounting 9
197810	Gear, 30T 8	198189	Post 9	321077	Capacitor 9
197812	Pinion, 30T 8	199343**	Tray, Paper 13	324483	Answer-Back Assembly 1, 11
197814	Gear, 30T 8	199473	Baffle, Tape 13	324484	Gear, 60T 11
197815	Gear, 45T 7,8	199474	Guide, Tape 13	324485	Bracket, Mounting 11
197816	Shaft Assembly 1,8	199490	Guard, Gear 6	324550	Plate, Name 10
197817	Plate 2	199491	Shaft Assembly 1,8	325980	Plate 6
197818	Spacer 8	301668	Cable w/Terminals 2	325985	Bracket 13
197819	Insulator 3	305680	Plate 8	334000	Motor, 115 V AC Synchronous 1,5
197820	Shaft Assembly 1,8	305681	Block 8	334400	Motor, 115 V AC Synchronous 1,6
197821	Bushing 3	305764	Guard, Gear 11	334681	Motor, 115 V AC Synchronous 1,5
197822	Ring 3	309590	Ring, Retaining 4	336929	Gear, 88T 8
197823	Shaft Assembly 4	309593	Bearing 4	336930	Modification Kit 8
197824	Gear Set, 100 WPM 6	309596	Nut, Speed 4	336931	Pinion, 18T 8
197828	Shaft Assembly 1,7	310290	Fan, Centrifugal 6	340015	Bracket, Feed Lever 11
197830**	Chute Assembly, Tape 13	310630	Bushing, Eccentric 11	342118	Motor, 115 V AC Synchronous 1,6
197831	Shaft Assembly 1,8	311770	Pinion, 40T 6		
197832**	Chute Assembly, Tape 13	315858	Gear, 132T 6		
198124**	Coverplate 13	315859	Pinion, 30T 6		
		315864	Gearset, 68 WPM 6		
		320410	Terminal, Spade Type 2		

**Refer to page 1 for finish suffix