

35 TRANSMITTER DISTRIBUTOR
DISASSEMBLY AND REASSEMBLY

1. GENERAL

1.01 Disassembly as outlined in this section covers a procedure for removing the principal sub-assemblies which make up the unit.

1.02 The technician should refer to the exploded views found in the appropriate parts literature for an illustration of the mechanism to be disassembled, for location and visual identification of parts and detailed disassembly and reassembly features.

1.03 Most maintenance, lubrication and adjustments can be accomplished simply by removing the subject component from the cabinet. If possible, disassembly should be confined to sub-assemblies, which can, in some cases, be removed without disturbing adjustments. When reassembling the sub-assemblies, be sure to check all associated adjustments, clearances and spring tensions.

1.04 If a part that is mounted on shims is removed, the number of shims used at each of its mounting screws should be noted so that the same shim pile-up can be replaced when the part is remounted.

1.05 Retaining rings are made of spring steel and have a tendency to release suddenly when being removed. Loss of these retainers can be minimized as follows: Hold the retainer with the left hand to prevent it from rotating. Place the blade of a suitable screwdriver in one of the slots of the retainer. Rotate the screwdriver in a direction to increase the diameter of the retainer for removal.

1.06 Avoid loss of springs in disassembly by holding one spring loop with the left hand while gently removing the opposite loop with a spring hook. Do not stretch or distort springs in removing them.

1.07 Raise the upper cover and unplug the copy light cord. Lower the upper cover to its first latched position. Remove the control panel bezel at the right end of the cover. Unlatch the lower cover and raise it 90 degrees.

Note: On sets equipped with a form supply container on the rear of the cabinet, rearward foot extensions should be in position on the cabinet. This prevents the cabinet from tilting when components are removed.

2. DISASSEMBLY AND REASSEMBLY

2.01 In removing a sub-assembly from the unit, the procedure followed and the location from which parts are removed must be carefully noted so that reassembly can be done correctly. Where no specific instructions are given for reassembly, reverse the procedure used in removing it.

2.02 Remove the tape chute at right end of the transmitter distributor by removing two screws underneath the cabinet shelf which secure the tape chute bracket to the cabinet shelf.

2.03 Remove the three screws which secure the transmitter to its base studs and lift the unit off.

2.04 Remove the TP192237 cover plate assembly by lifting it upward out of its detented position.

2.05 To remove the TP192599 top plate assembly, loosen the TP152893 clamp screw on each side of the unit and slide the top plate upward.

2.06 Remove the TP163999 tape guide plate assembly, loosen the clamp screw on each side of the unit and lift the guide plate upward.

2.07 Remove the 10-32 nuts and lock washers from the rear of the bottom posts. Remove the TP156588 bearing clamp from rear plate at the main shaft bearing.

2.08 Remove the 6-40 screw which secures the rear plate to the TP156622 post.

2.09 Pull the rear plate assembly apart from the front plate assembly. The wiring may be left intact unless it is necessary to remove it.

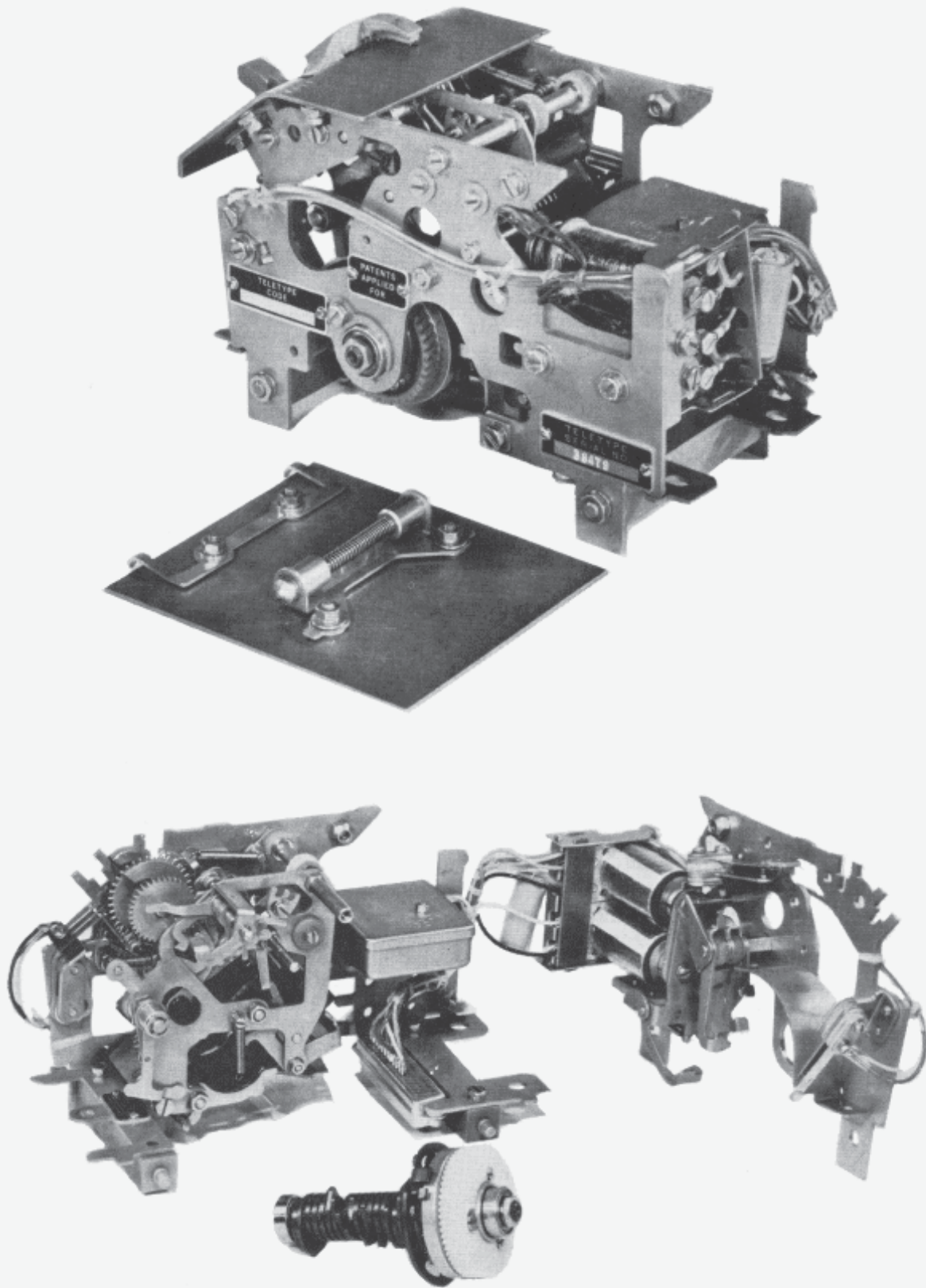


Figure 1 - 35 Transmitter Distributor-Cover Plate Removed (Upper)
Main Sub-Assemblies Removed (Lower)

2.10 To remove the main shaft, remove the TP156831 main shaft bearing clamp and the TP156832 plate from the front plate.

2.11 Remove the main shaft assembly.

2.12 Remove the two 6-40 nuts which secure the center plate to the two guide posts. Remove the TP7603 main bail latch spring.

2.13 Remove the center plate assembly.

2.14 To remove the clutch trip magnets, remove the two screws, lock washers, and flat washers that secure the bracket to the rear plate.

2.15 For further disassembly refer to the exploded views in parts literature. It may be necessary in some instances to remove some wiring. When this is done, make note of how wiring was originally placed.