

35 ELECTRICAL SERVICE UNIT (LESU)

FOR ASR SETS

PARTS

FIGURE	CONTENTS	PAGE	FIGURE	CONTENTS	PAGE
1	Containers and Associated Parts	2	18	305447 Selector Magnet Driver Assembly With Break Detector	17
2	Containers and Associated Parts (Continued)	3	19	301725 Relay Assembly	18
3	193467 and 199379 Non-Contention Relay Plate Assemblies	4	20	Mounting Plates for Selector Magnet Driver and Low Level Keyer	19
4	305440 Non-Contention Relay Plate Assembly	5	21	192730 Selector Magnet Driver and 192740 Low Level Keyer Assemblies	20
5	199360 and 301651 Power Distribution Assemblies	6	22	192730 Selector Magnet Driver and 192740 Low Level Keyer Assemblies (Continued)	21
6	319257 and 328098 Power Distribution Assemblies	7	23	192750 Rectifier Assembly	22
7	320255 Power Distribution Assembly	8	24	344268 Control Relay Plate Assembly	23
8	323056 Power Distribution Assembly	9	25	323055 Relay Plate Assembly	24
9	326609 Power Distribution Assembly	10	26	334100 48 Volt D.C. Regulated Power Supply Assembly	24
10	328811 Power Distribution Assembly	11	27	305061 and 323050 Rectifier Assemblies	25
11	305417 Main Terminal Board Assembly	12	28	198200 Relay Panel Assembly	26
12	165708 and 332693 Motor Control Relay Assemblies	13	29	326608 Logic Panel Assembly	27
13	199350 Copylight Transformer Assembly	13	30	327740 Logic Panel Assembly	28
14	Mounting Plates	14	31	312407 Tape Verifier Control Module Assembly	29
15	165736 Signal Regenerator Assembly and 198209 Auxiliary Power Supply for DC Signaling Sets	14	32	312389 Fixed Word Length Control Module Assembly	30
16	305446 Signal Regenerator Assembly	15	33	310738 Panel Assembly	31
17	193485, 197053, 332999 and 312351 Constant Current Selector Magnet Driver Assemblies	16	34	301782 Connector Plate Assembly	32
			35	Cable Components	33
				Numerical Index	34

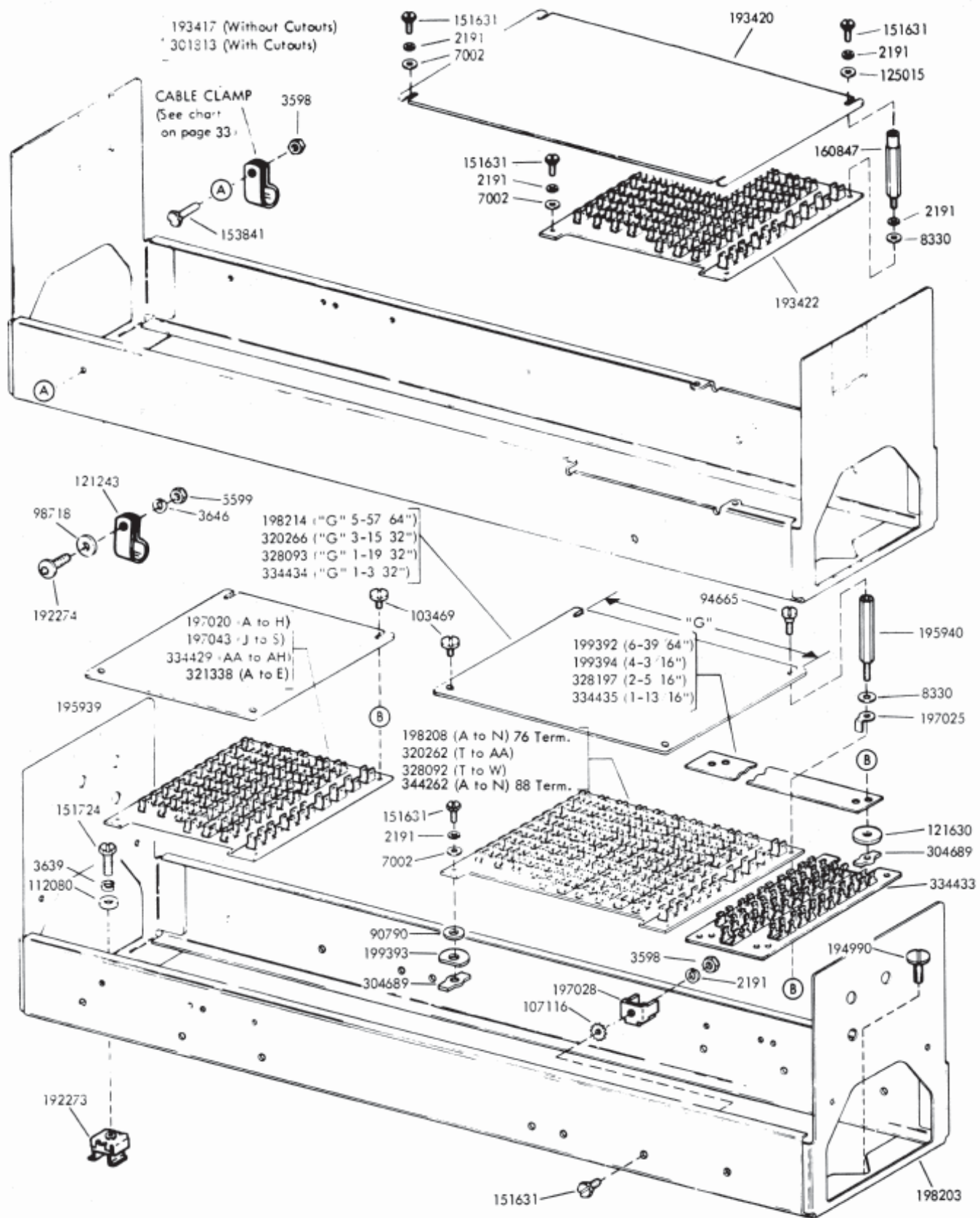


FIGURE 1. CONTAINERS AND ASSOCIATED PARTS

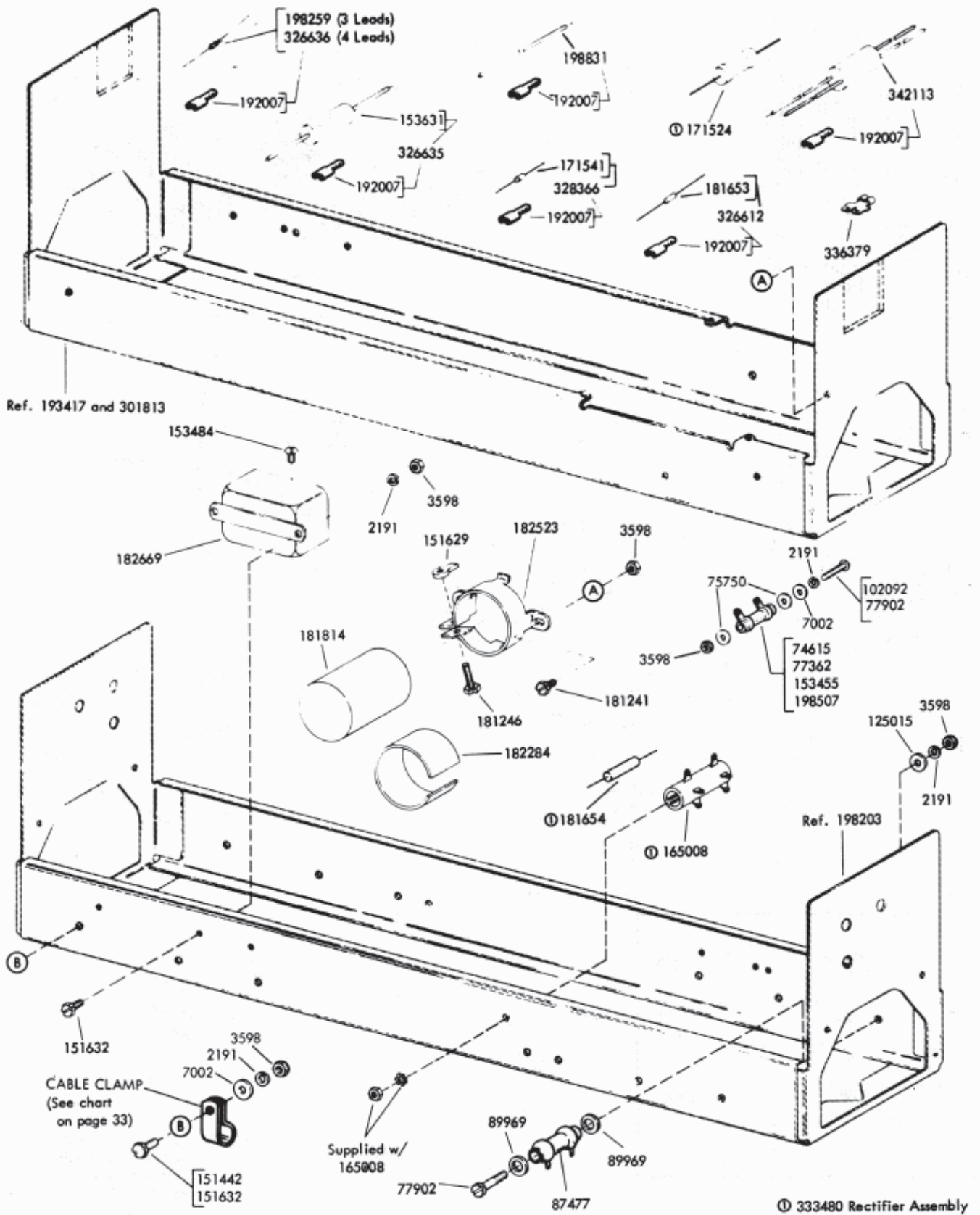


FIGURE 2. CONTAINERS AND ASSOCIATED PARTS (Continued)

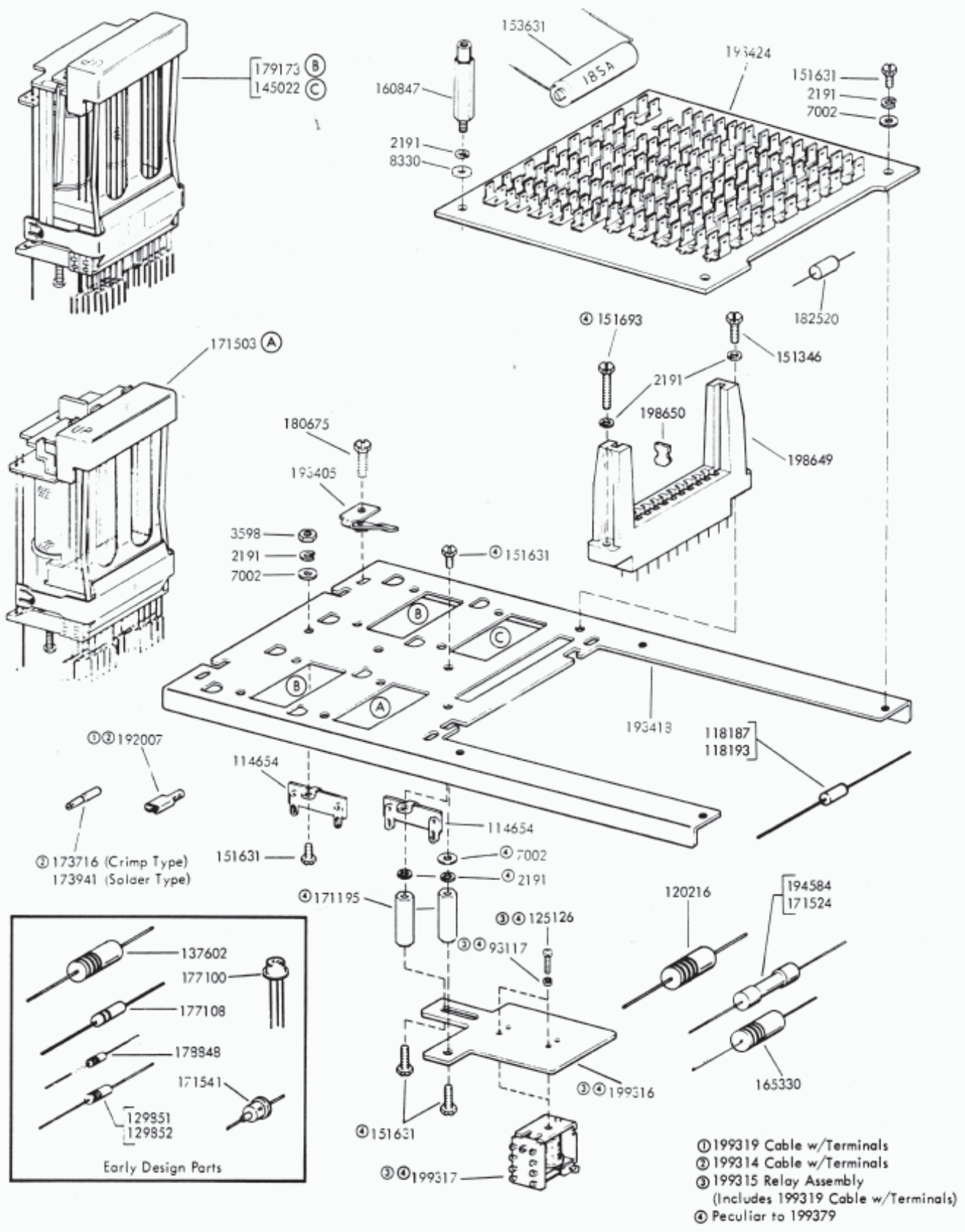
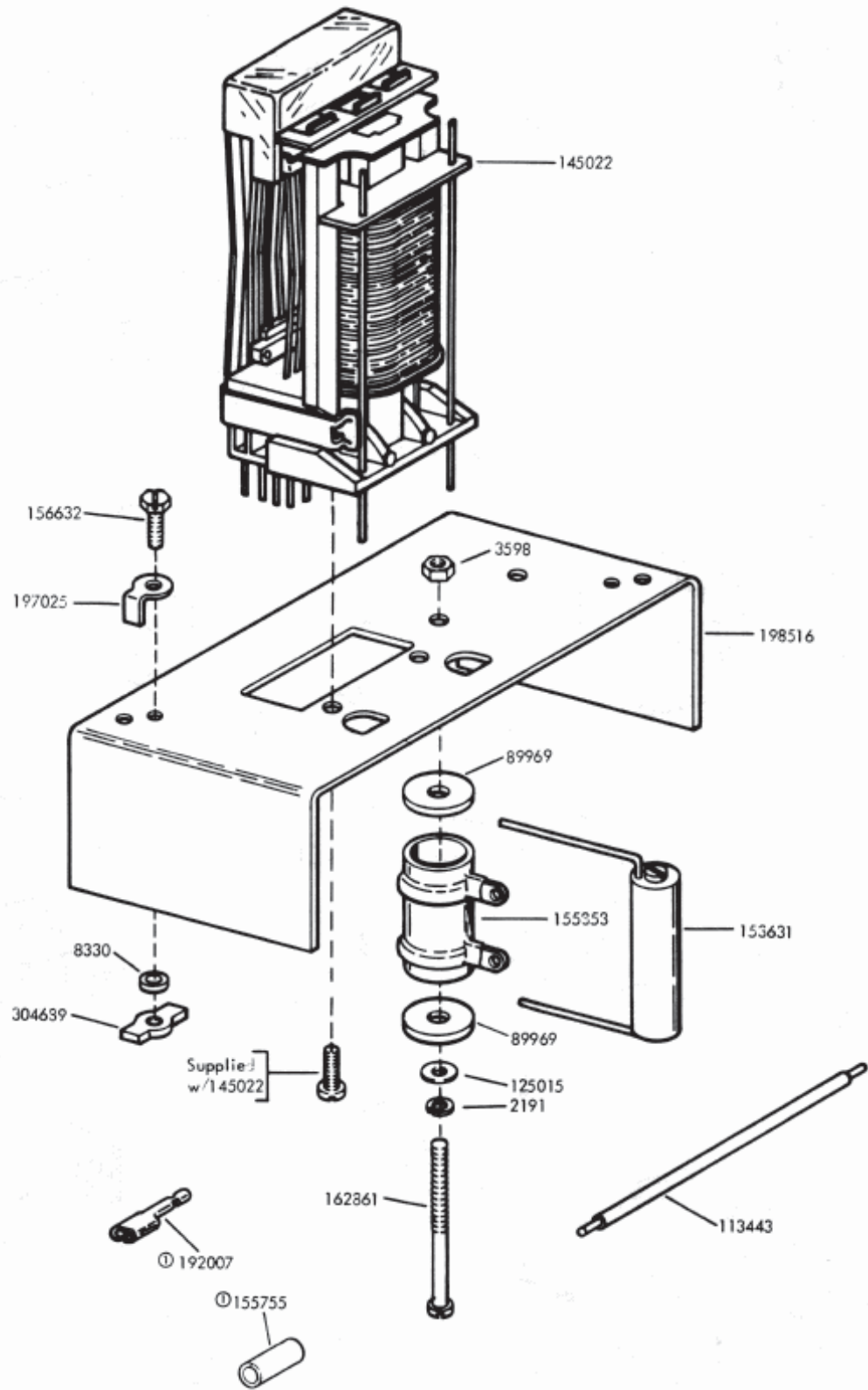


FIGURE 3. 193467 AND 199379 NON-CONTENTION RELAY PLATE ASSEMBLIES



Ⓞ 305441 Cable w/Terminals

FIGURE 4. 305440 NON-CONTENTION RELAY PLATE ASSEMBLY

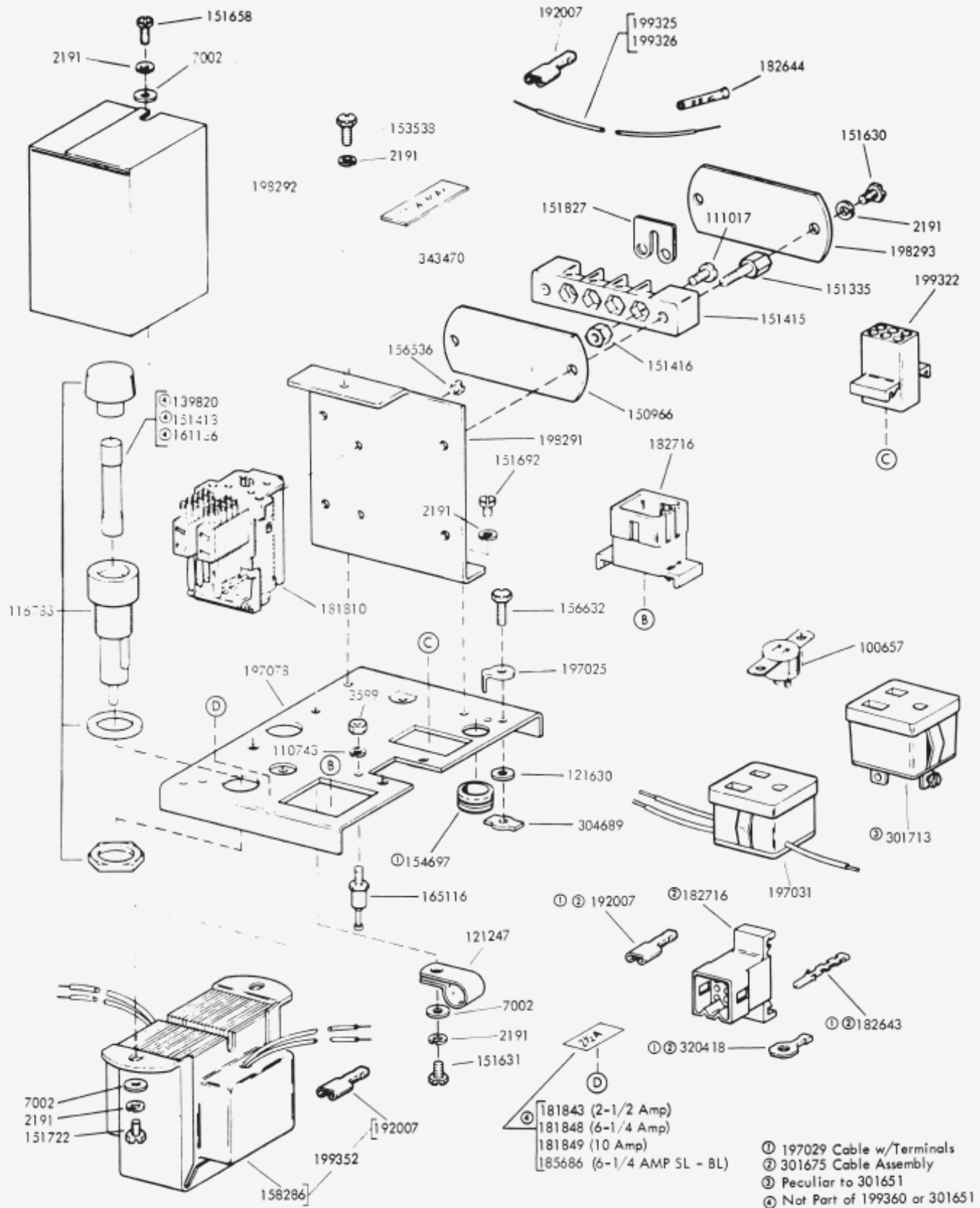


FIGURE 5. 199360 AND 301651 POWER DISTRIBUTION ASSEMBLIES

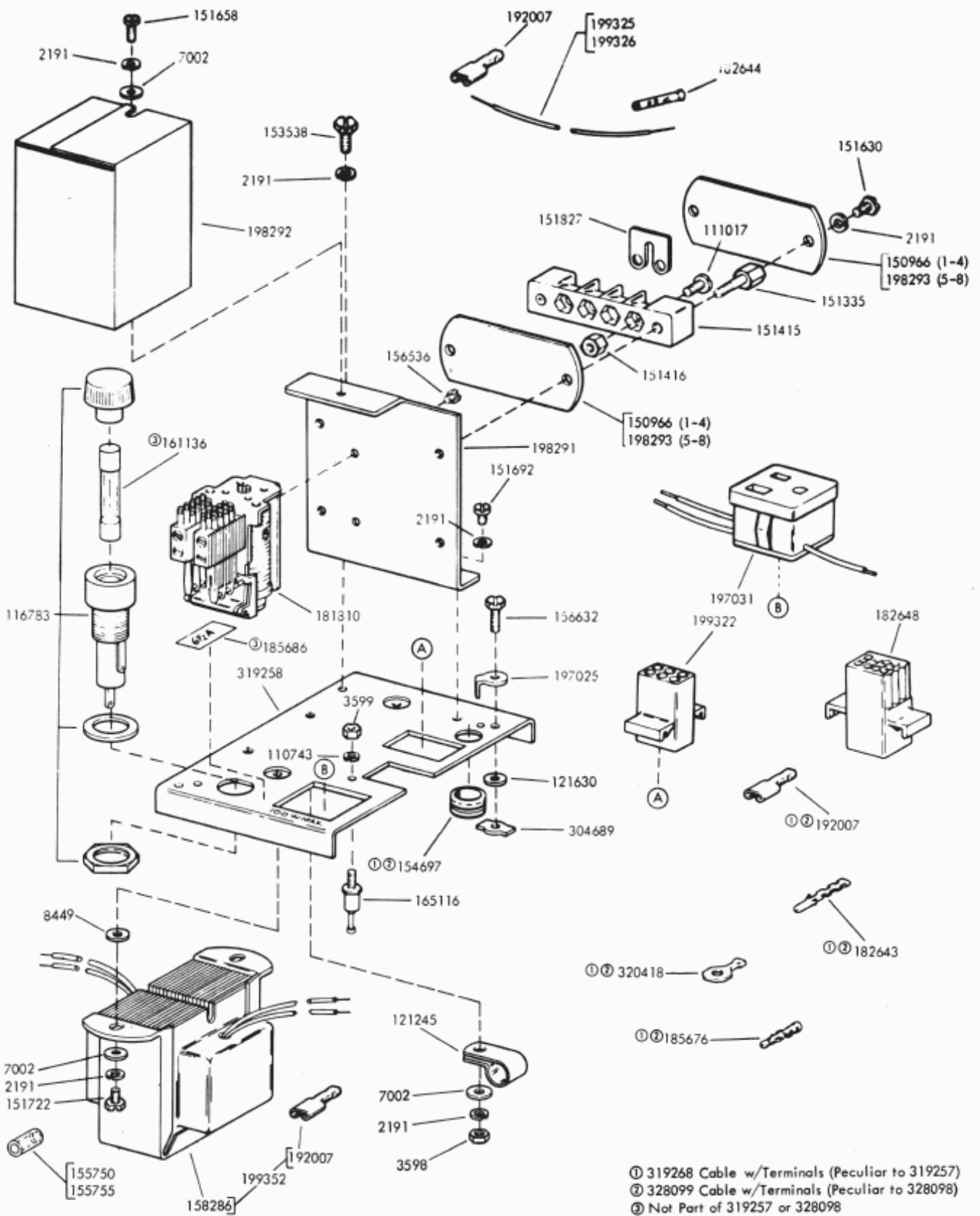


FIGURE 6. 319257 AND 328098 POWER DISTRIBUTION ASSEMBLIES

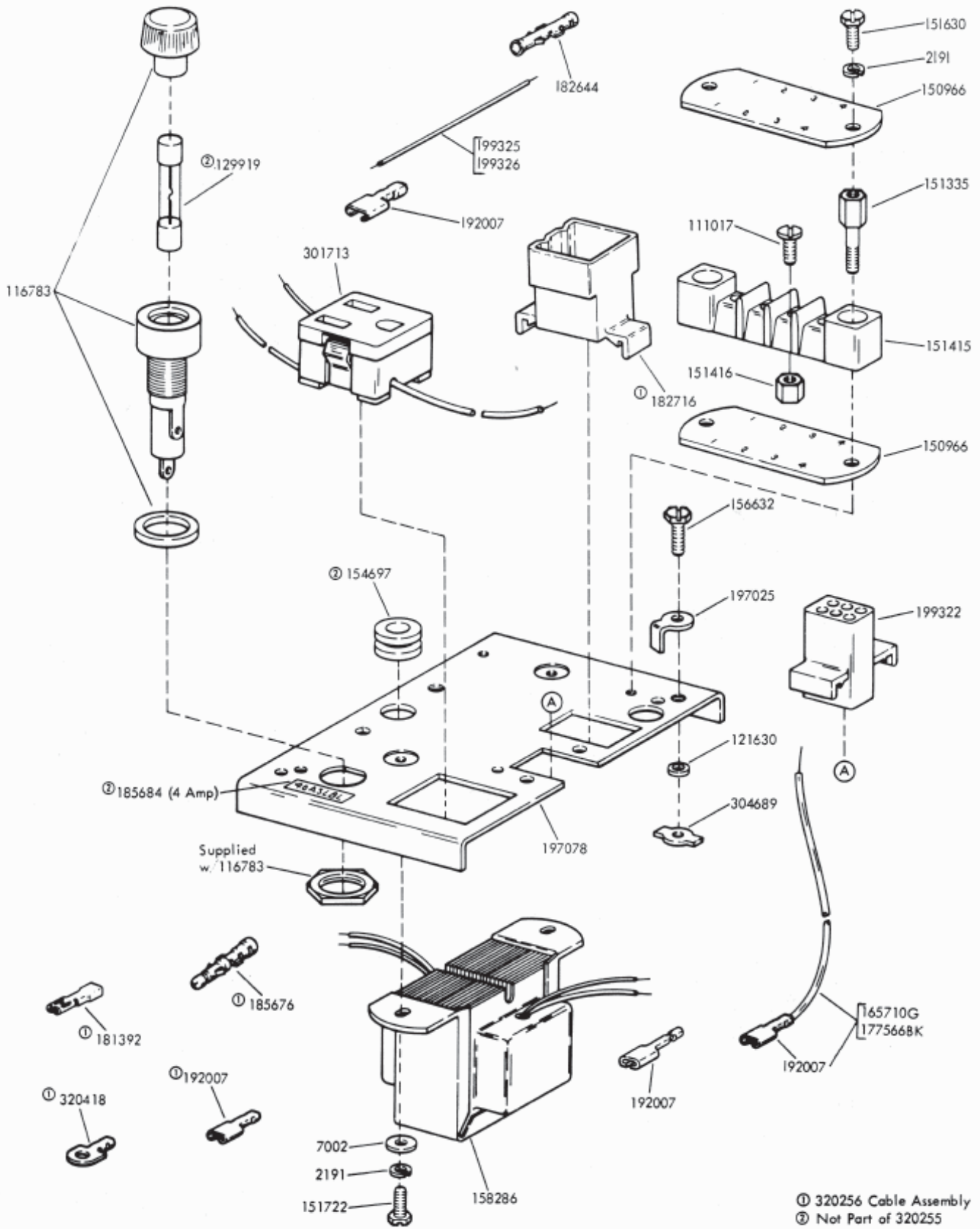


FIGURE 7. 320255 POWER DISTRIBUTION ASSEMBLY

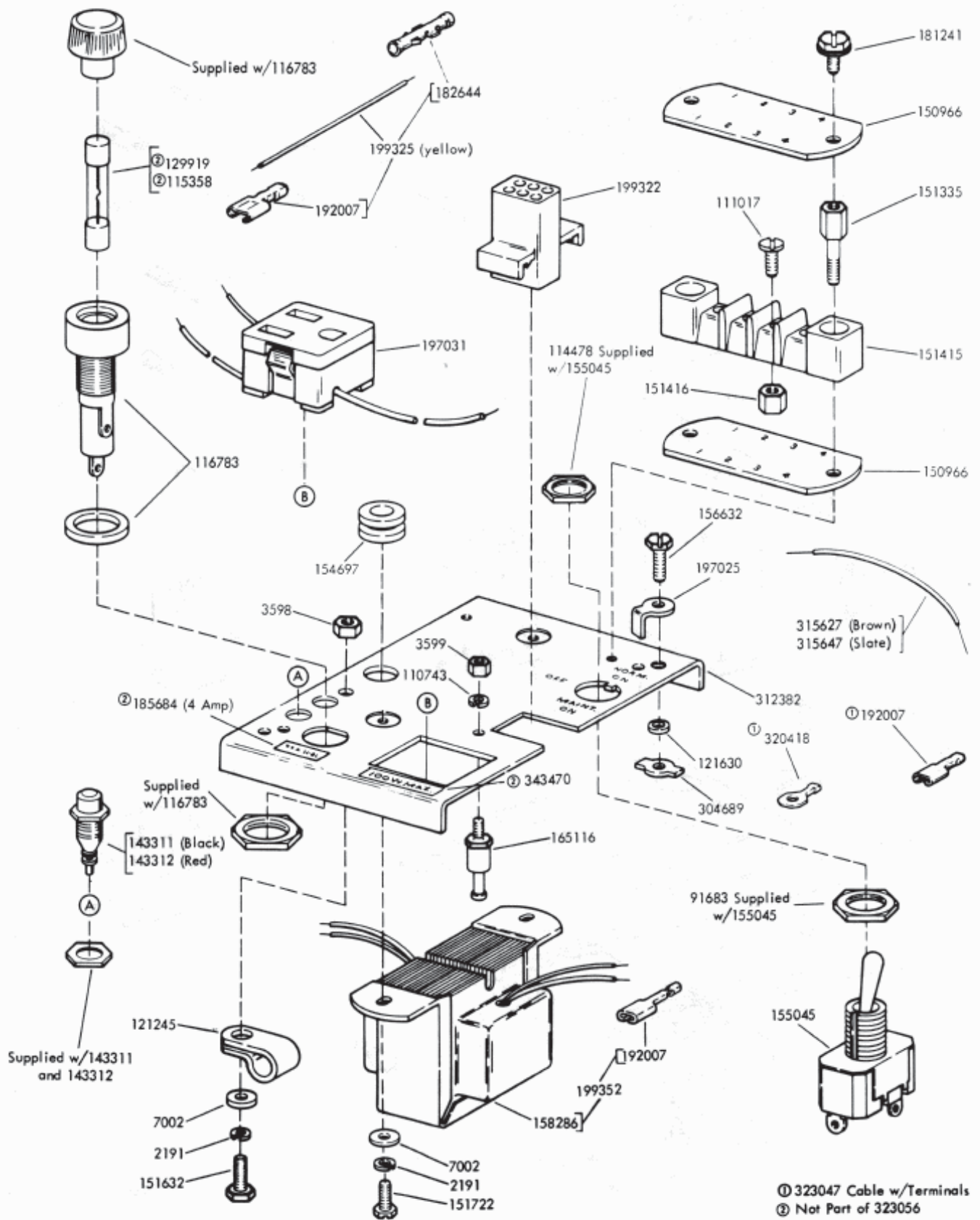


FIGURE 8. 323056 POWER DISTRIBUTION ASSEMBLY

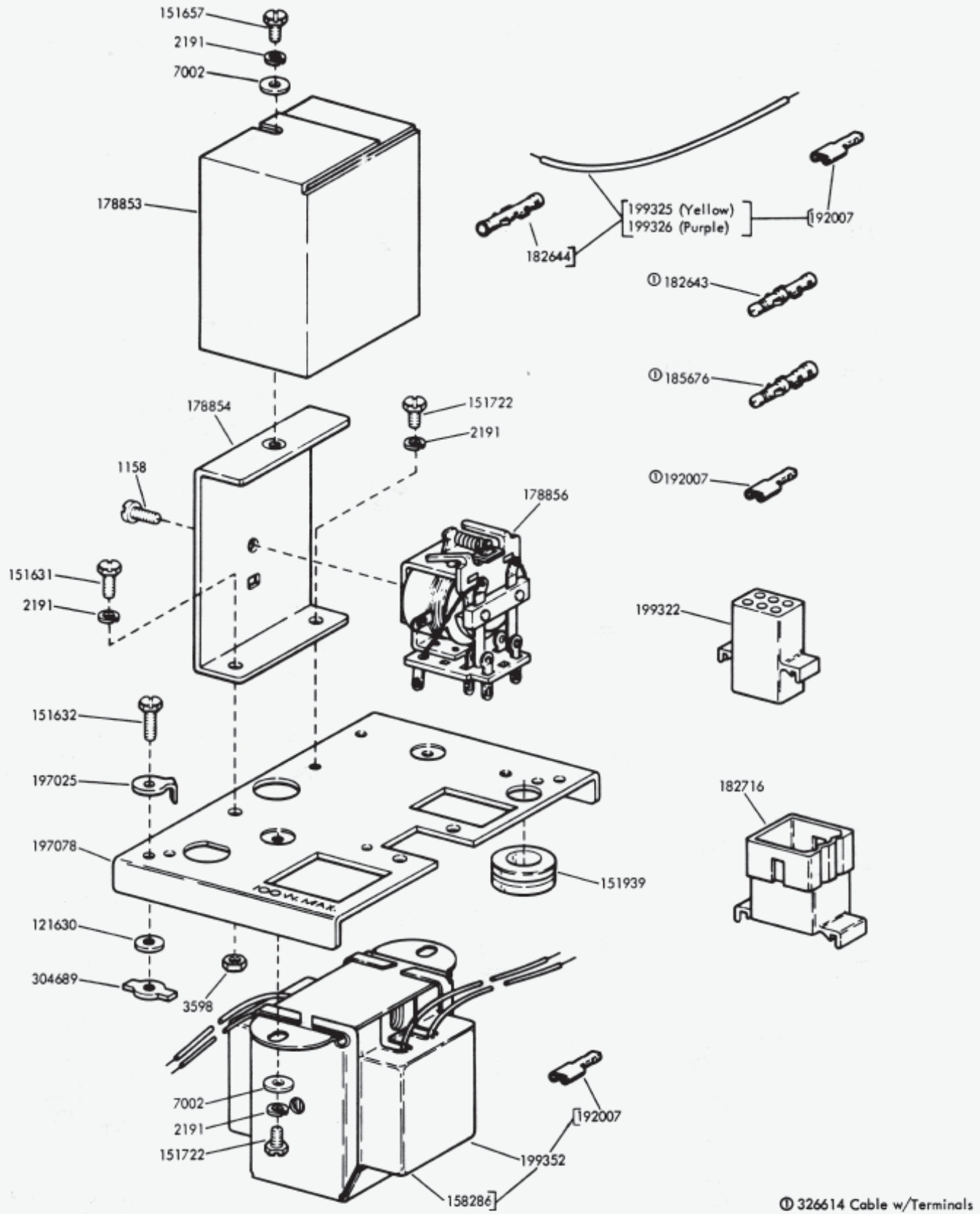


FIGURE 9. 326609 POWER DISTRIBUTION ASSEMBLY

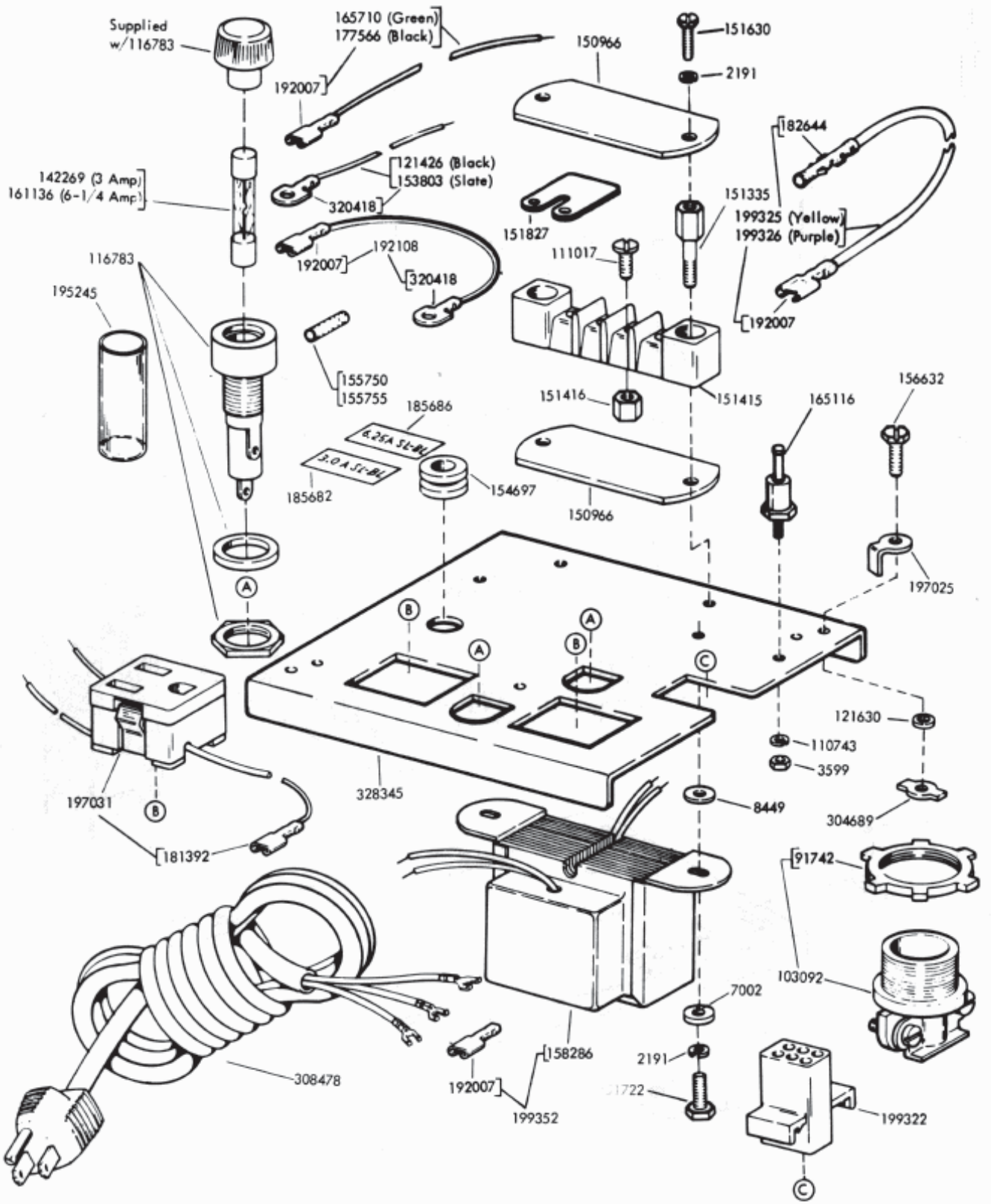


FIGURE 10. 328811 POWER DISTRIBUTION ASSEMBLY

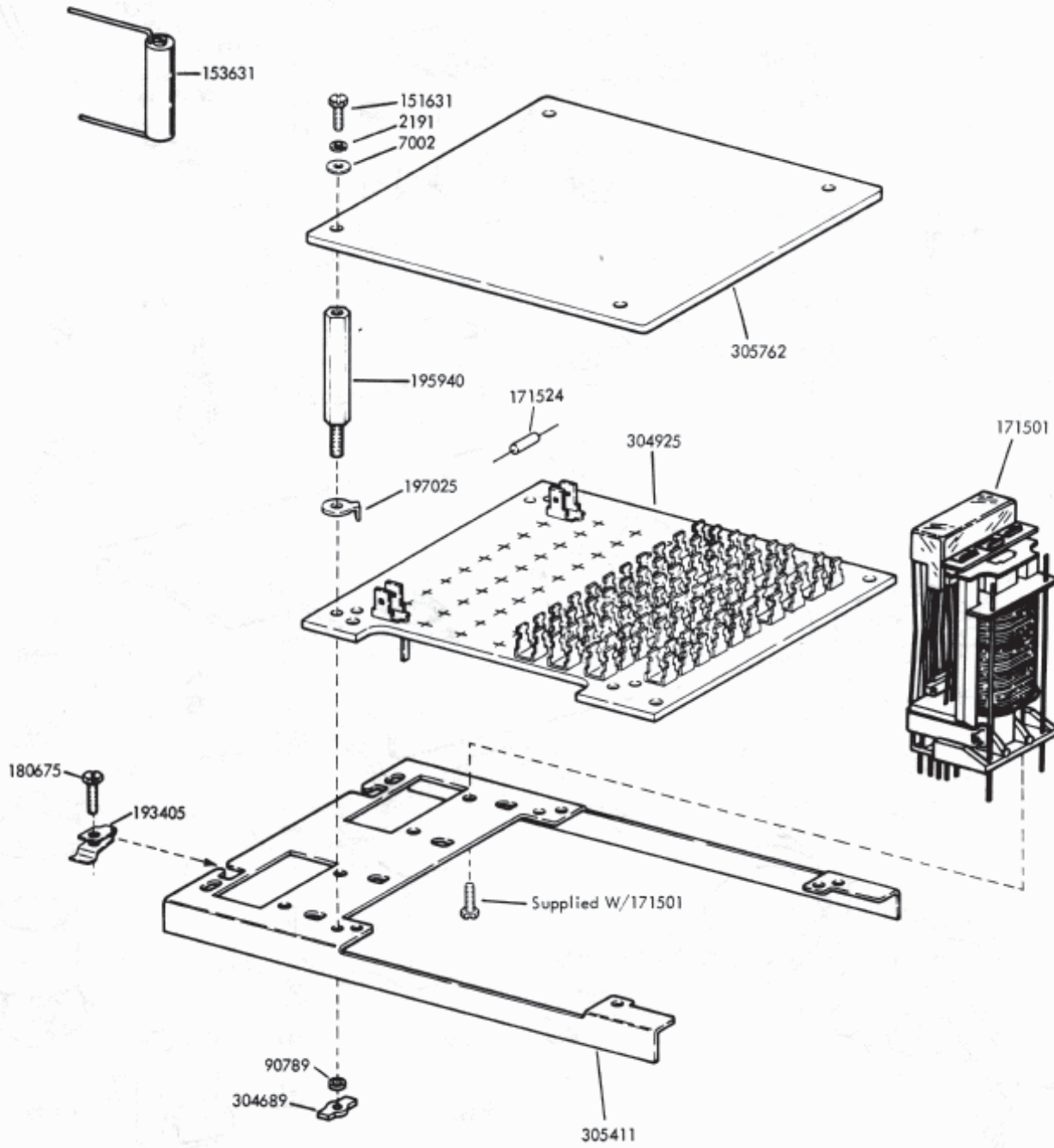


FIGURE 11. 305417 MAIN TERMINAL BOARD ASSEMBLY

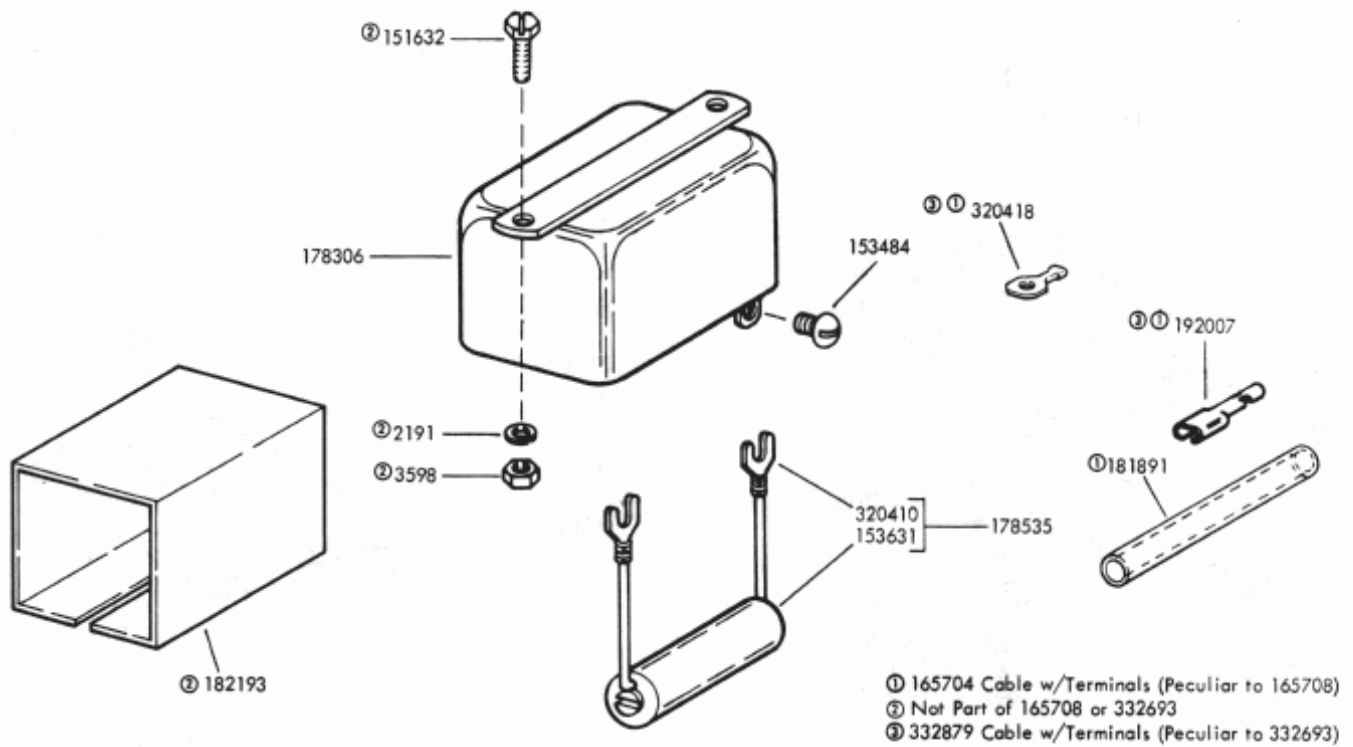


FIGURE 12. 165708 AND 332693 MOTOR CONTROL RELAY ASSEMBLIES

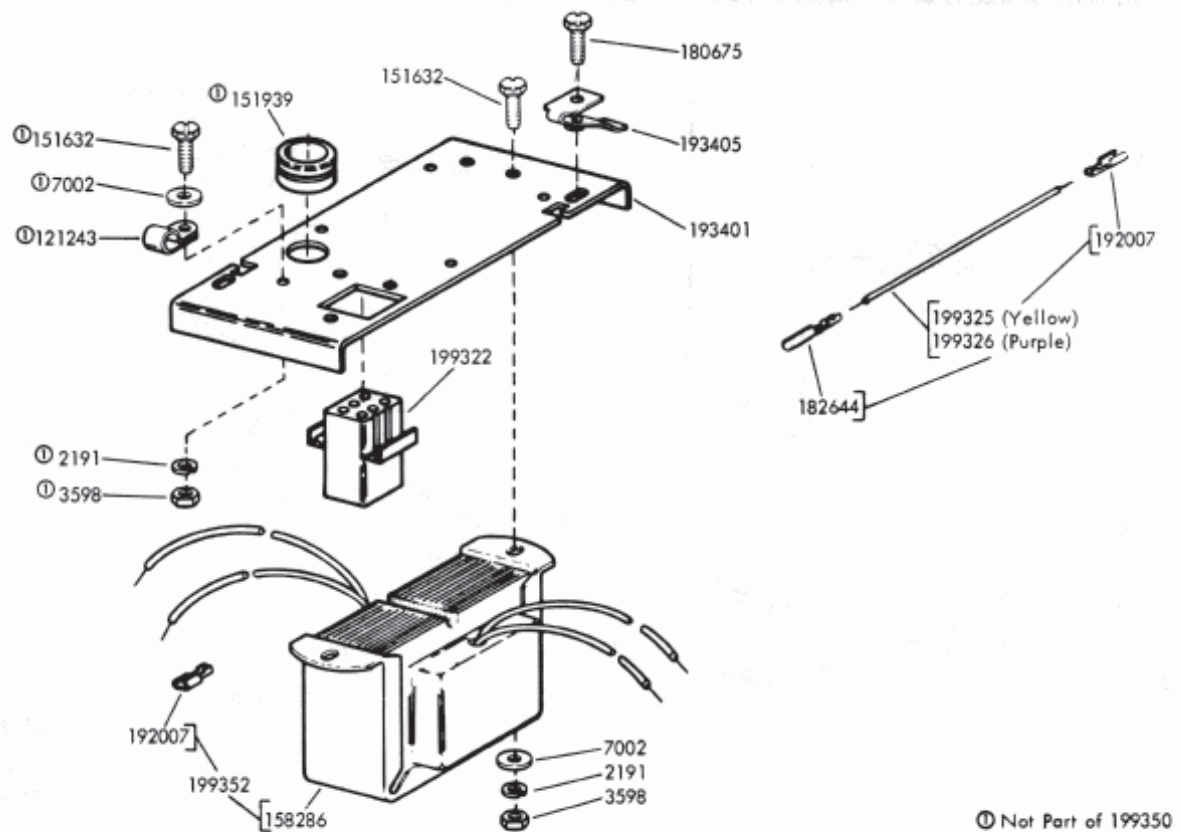


FIGURE 13. 199350 COPYLIGHT TRANSFORMER ASSEMBLY

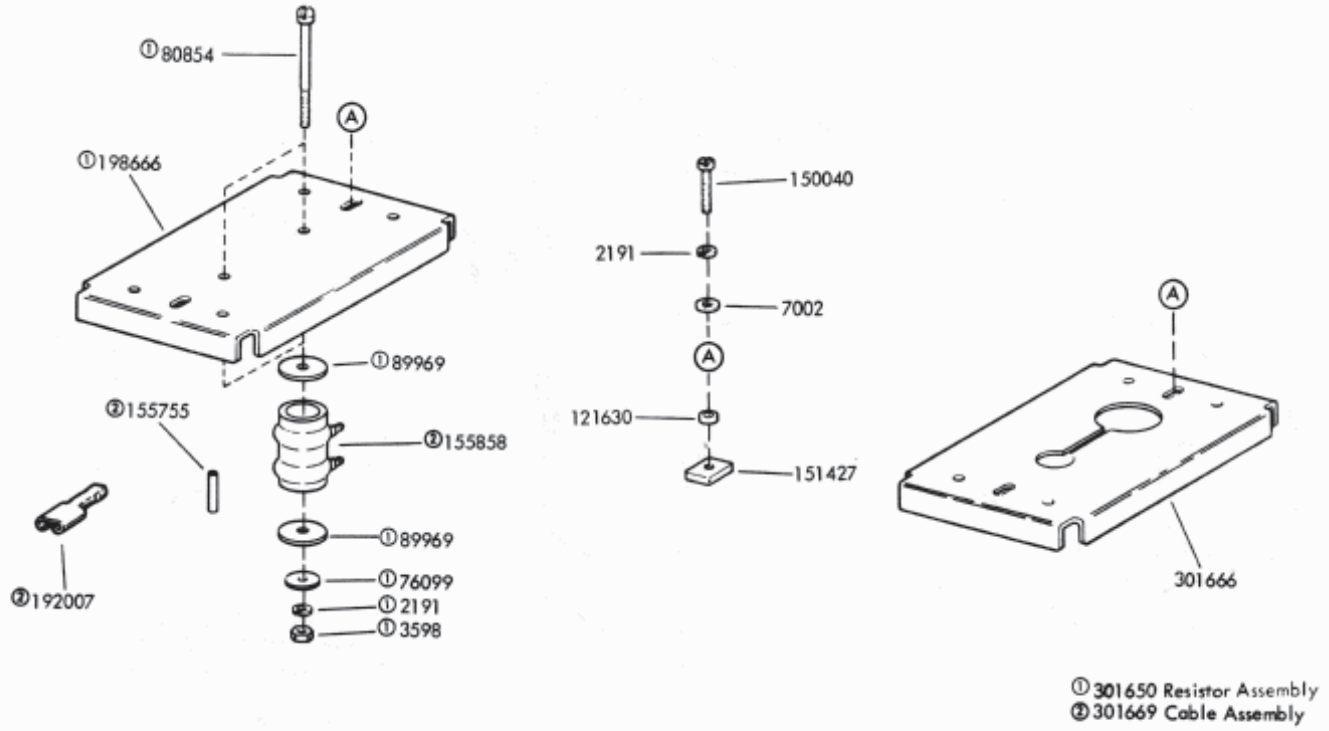


FIGURE 14. MOUNTING PLATES

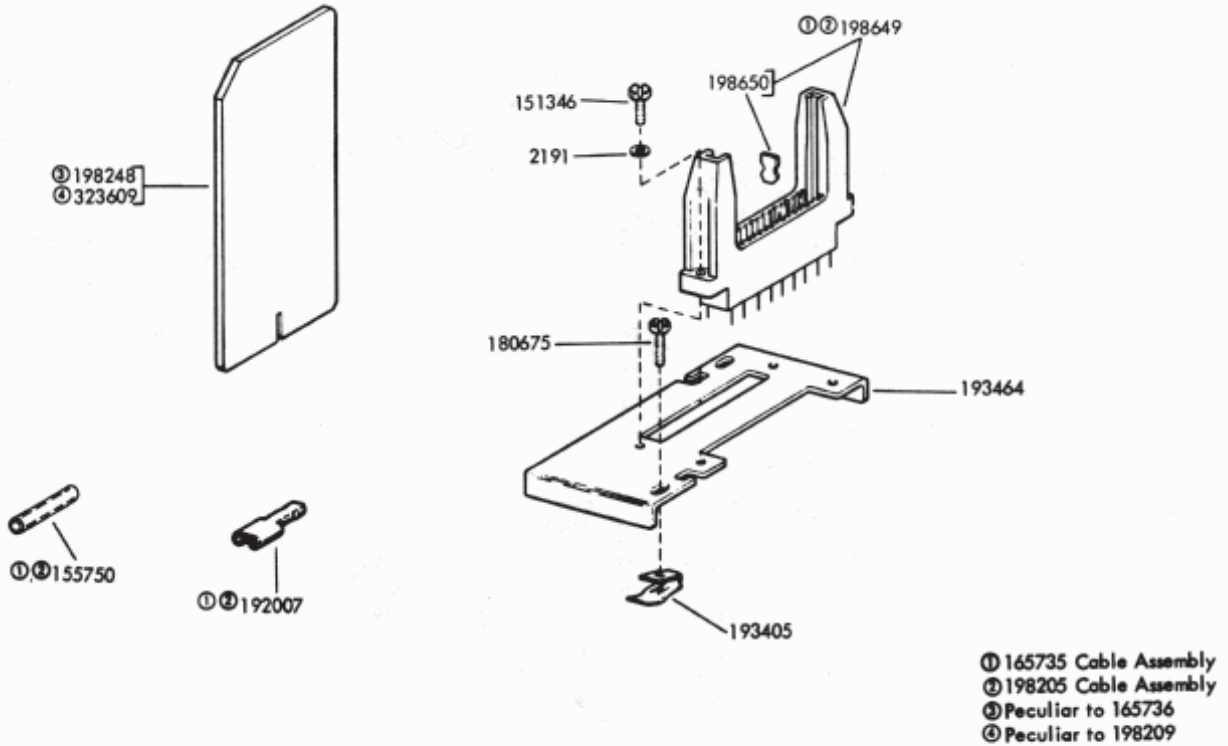


FIGURE 15. 165736 SIGNAL REGENERATOR ASSEMBLY AND 198209 AUXILIARY POWER SUPPLY FOR DC SIGNALING SETS

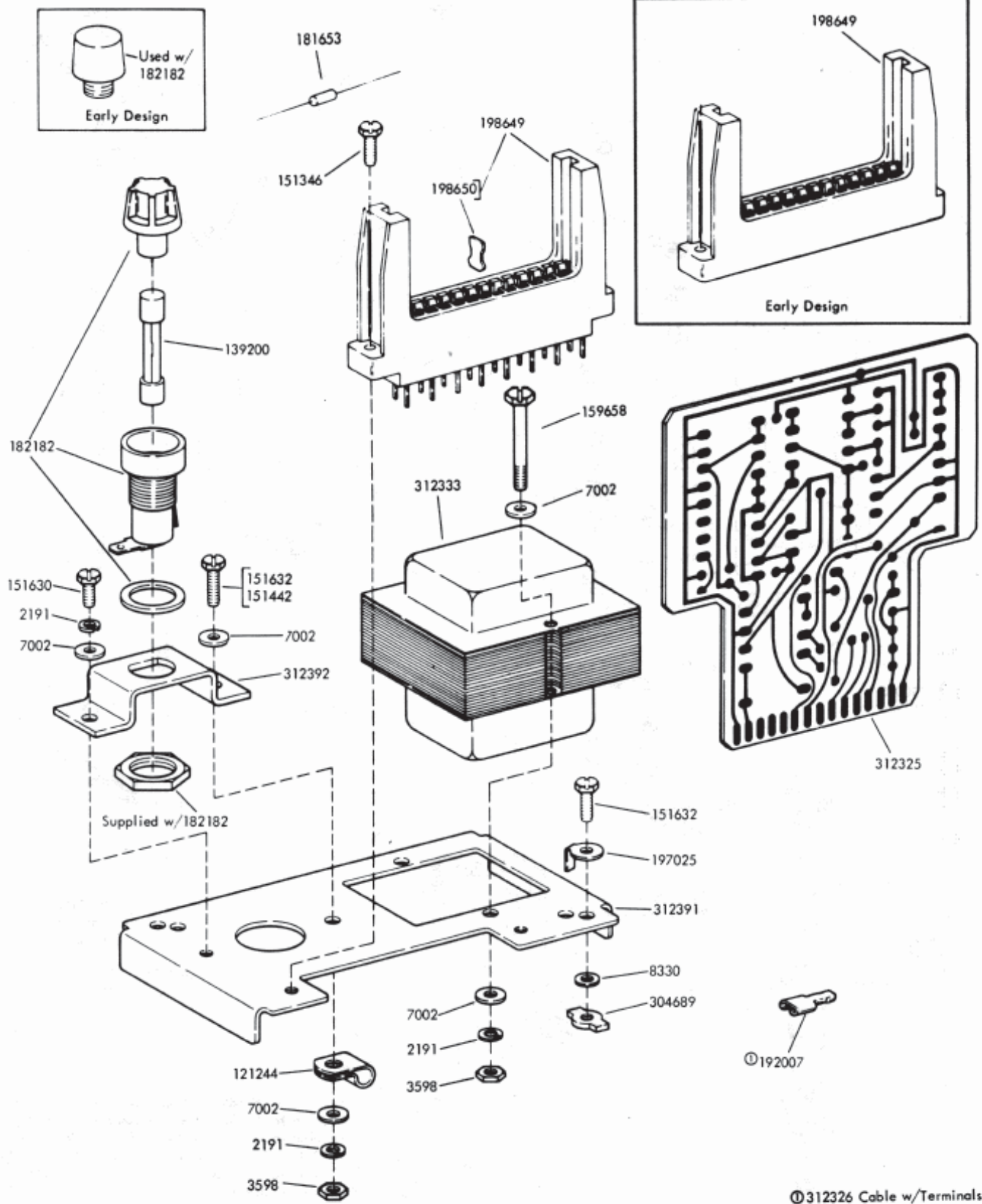


FIGURE 16. 305446 SIGNAL REGENERATOR ASSEMBLY

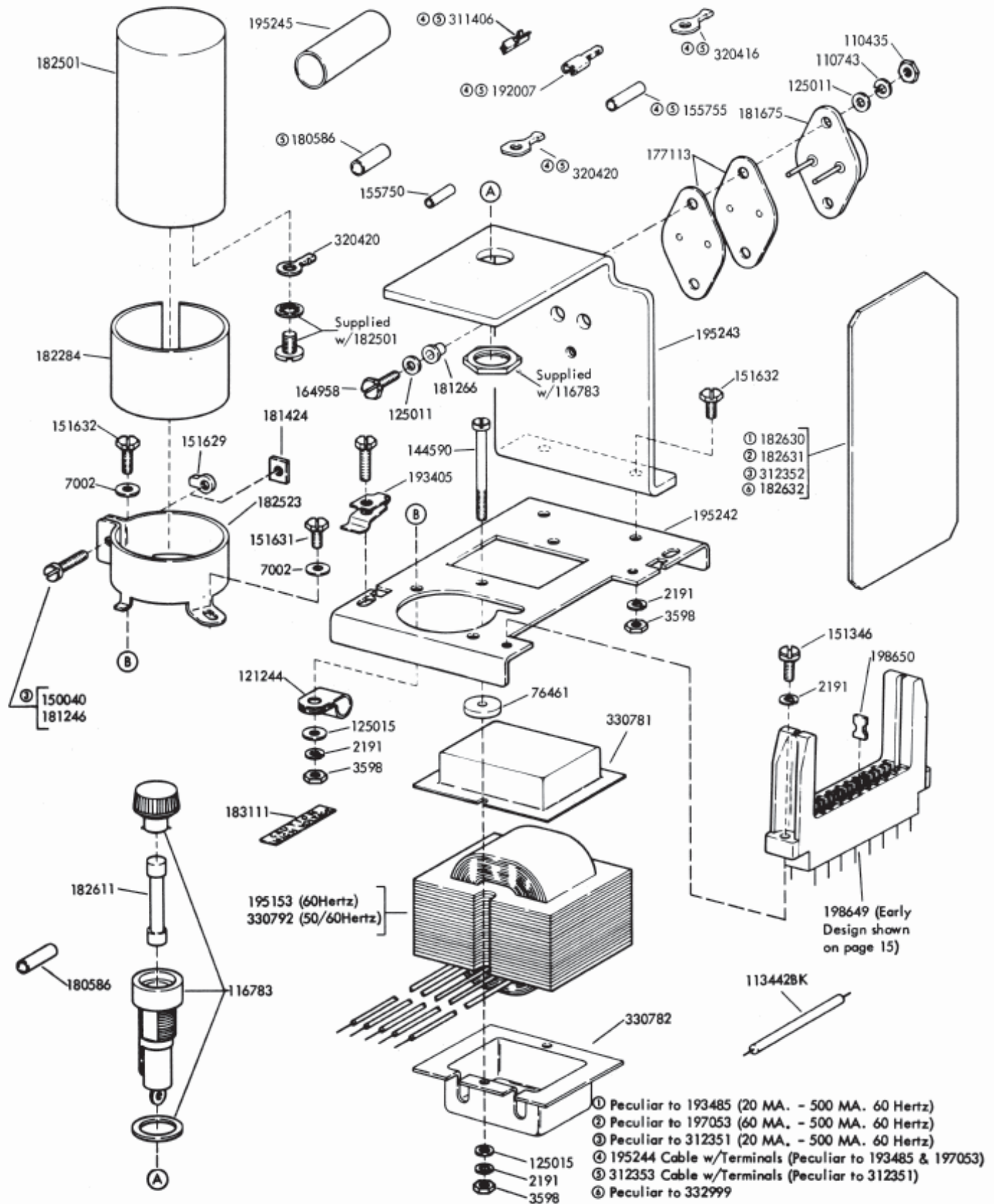


FIGURE 17. 193485, 197053, 332999 AND 312351 CONSTANT CURRENT SELECTOR MAGNET DRIVER ASSEMBLIES

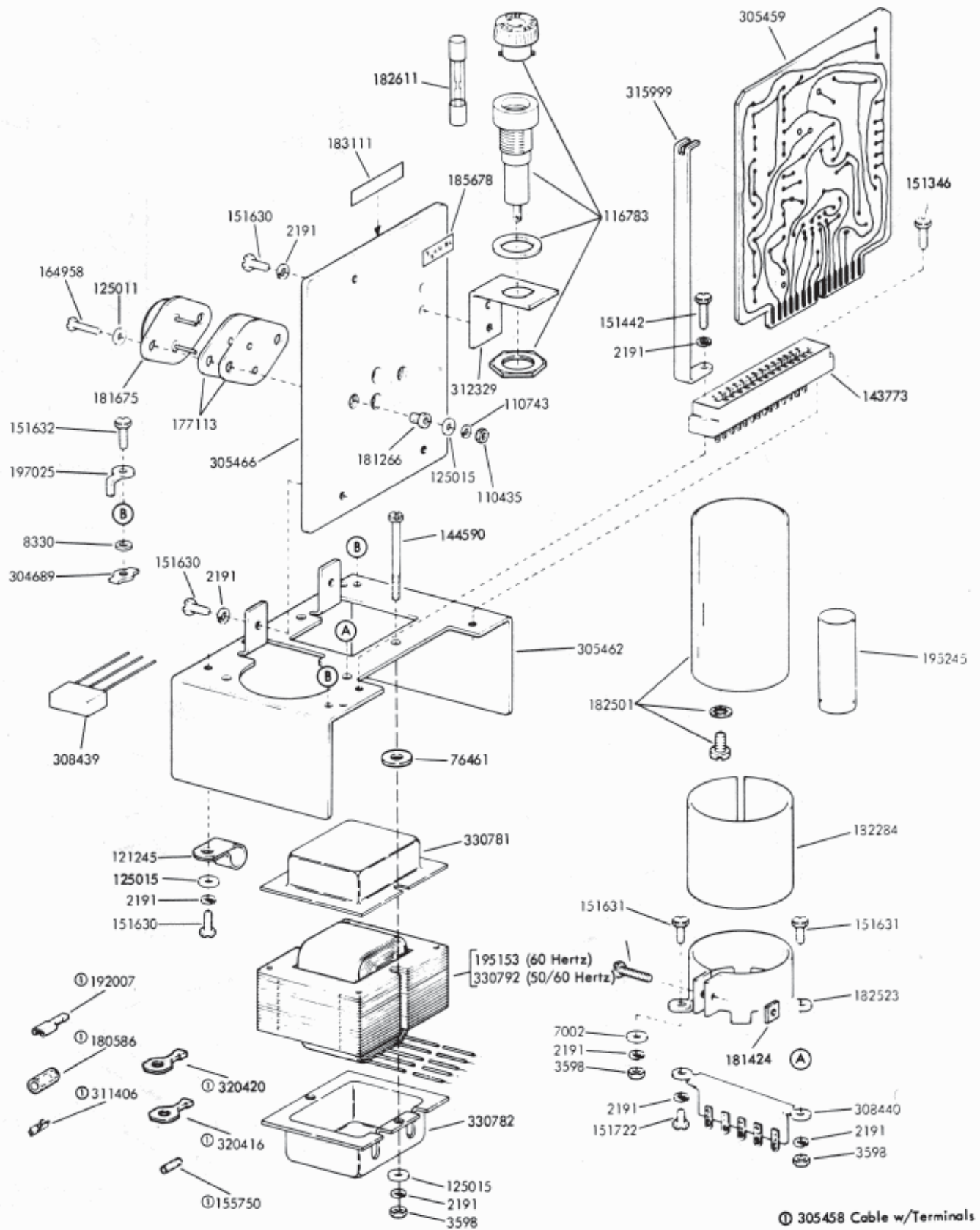


FIGURE 18. 305447 SELECTOR MAGNET DRIVER ASSEMBLY WITH BREAK DETECTOR

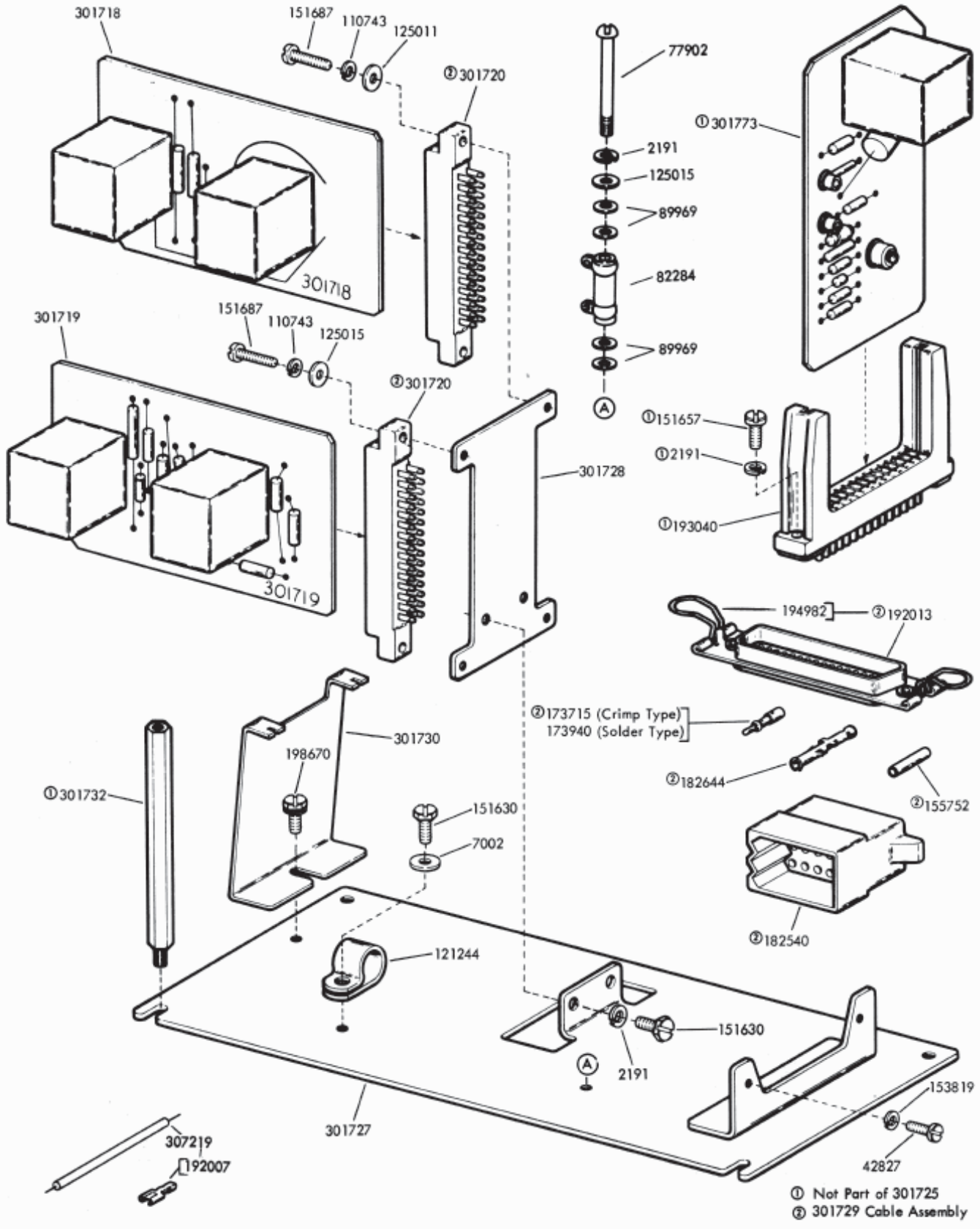


FIGURE 19. 301725 RELAY ASSEMBLY

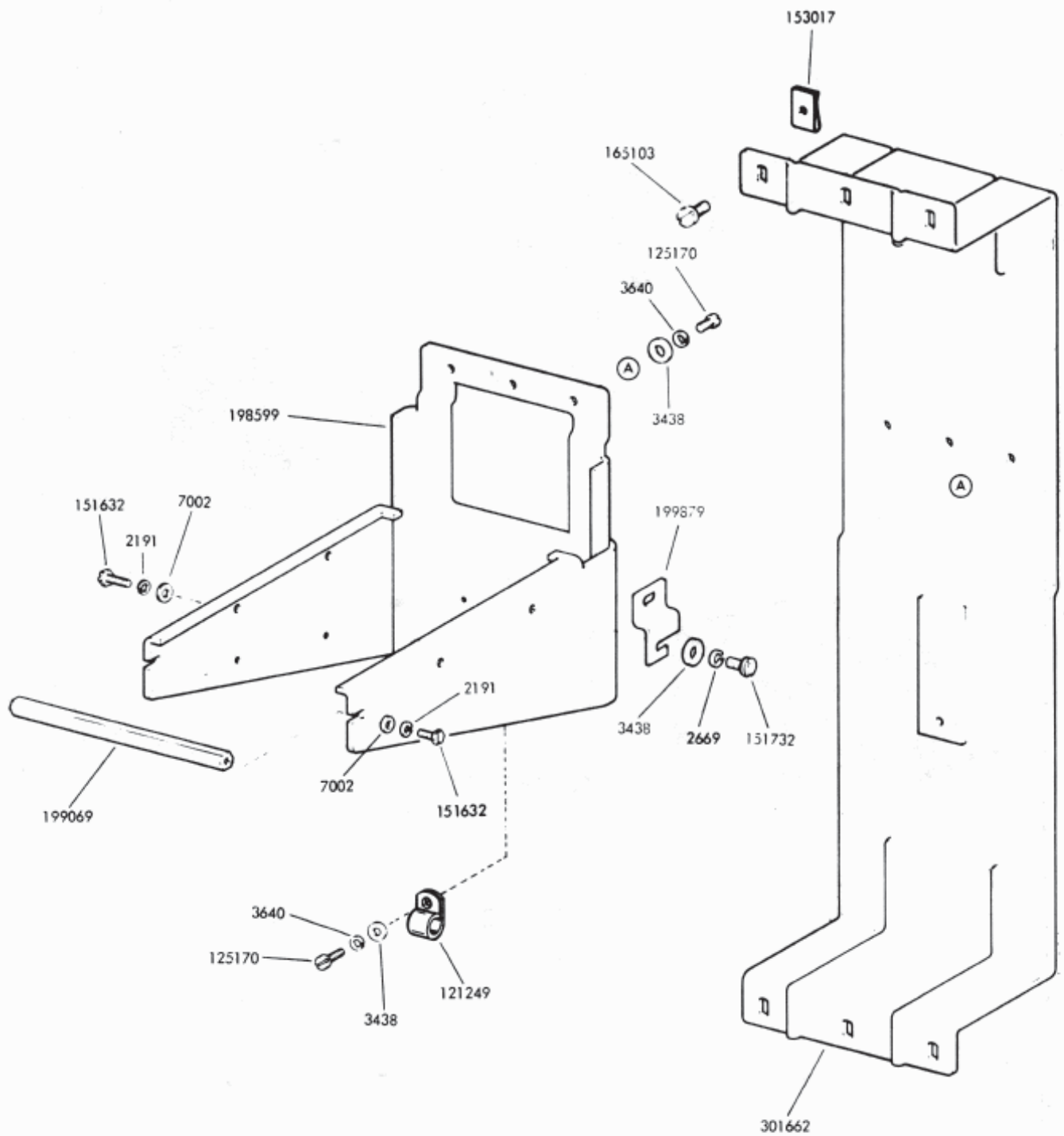


FIGURE 20. MOUNTING PLATES FOR SELECTOR MAGNET DRIVER AND LOW LEVEL KEYS

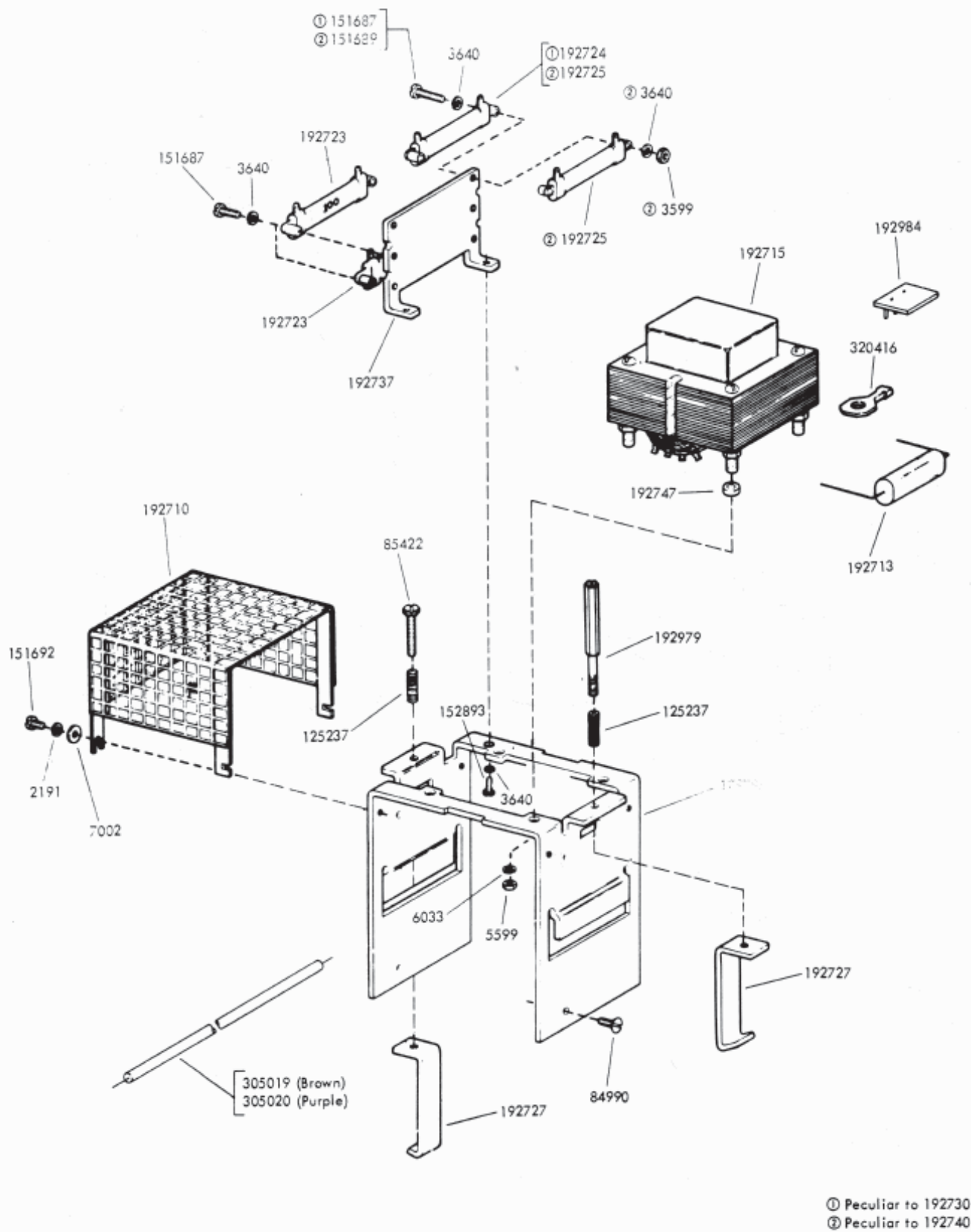


FIGURE 21. 192730 SELECTOR MAGNET DRIVER AND 192740 LOW LEVEL KEYER ASSEMBLIES

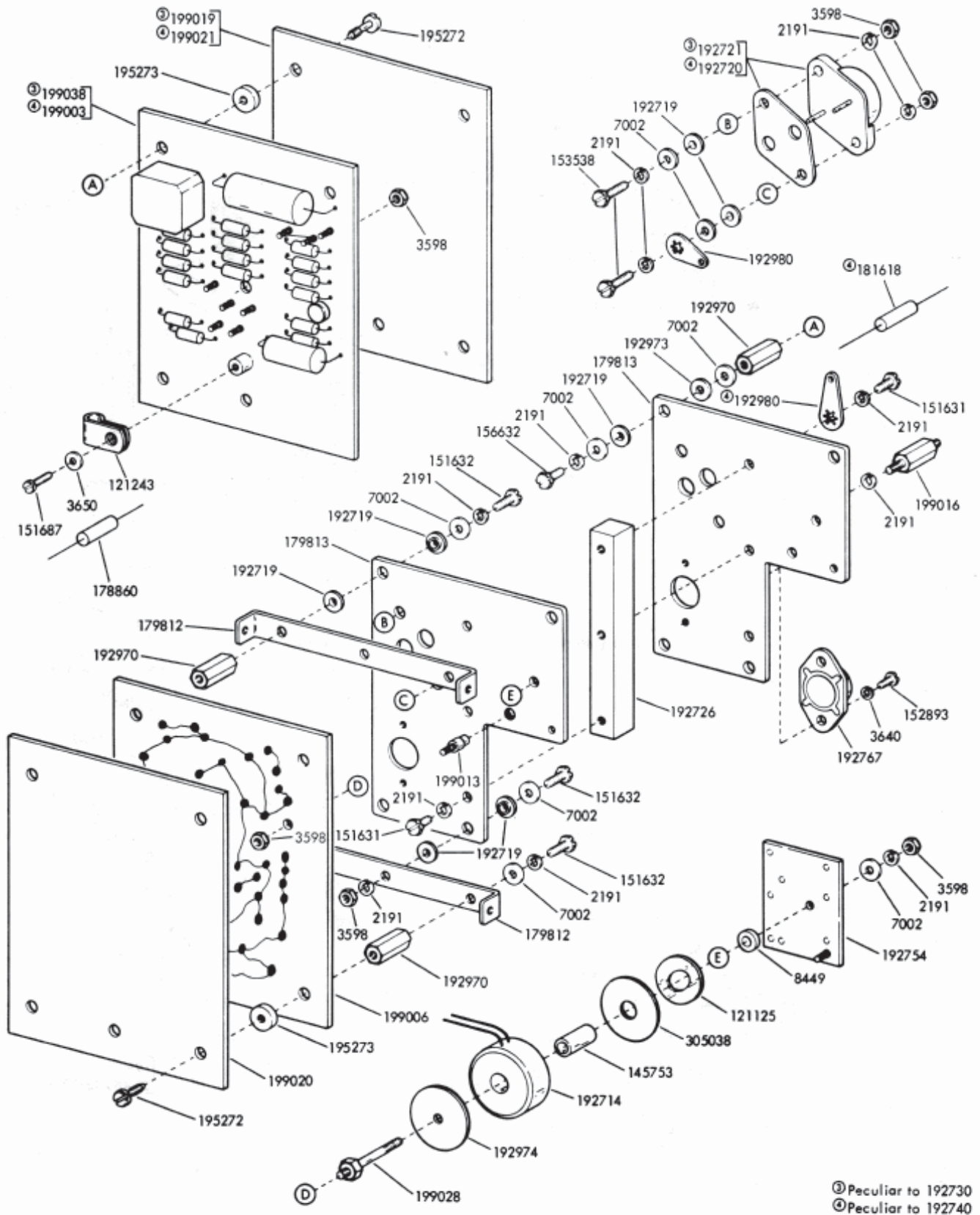


FIGURE 22. 192730 SELECTOR MAGNET DRIVER AND 192740 LOW LEVEL KEYSER ASSEMBLIES (Continued)

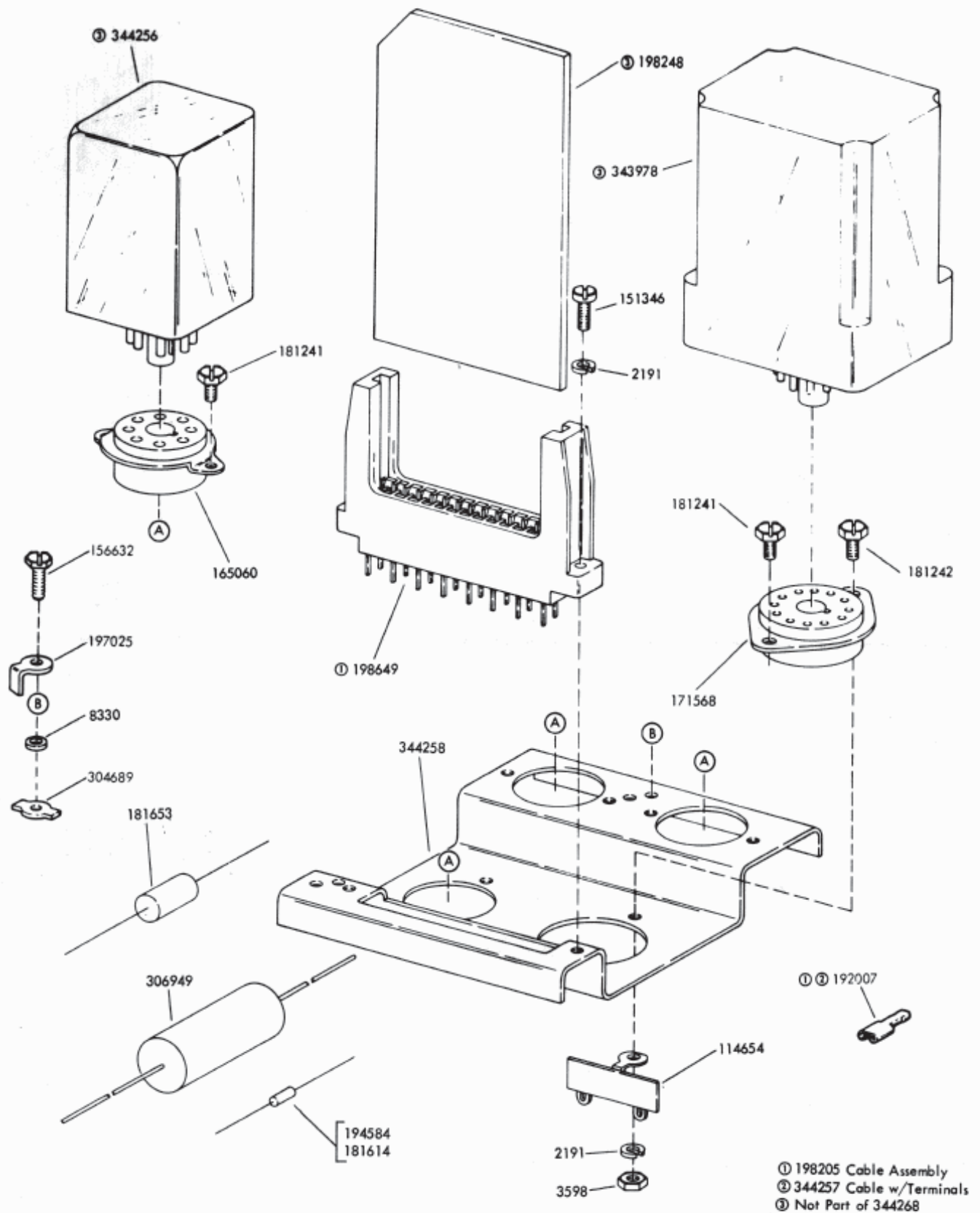


FIGURE 24. 344268 CONTROL RELAY PLATE ASSEMBLY

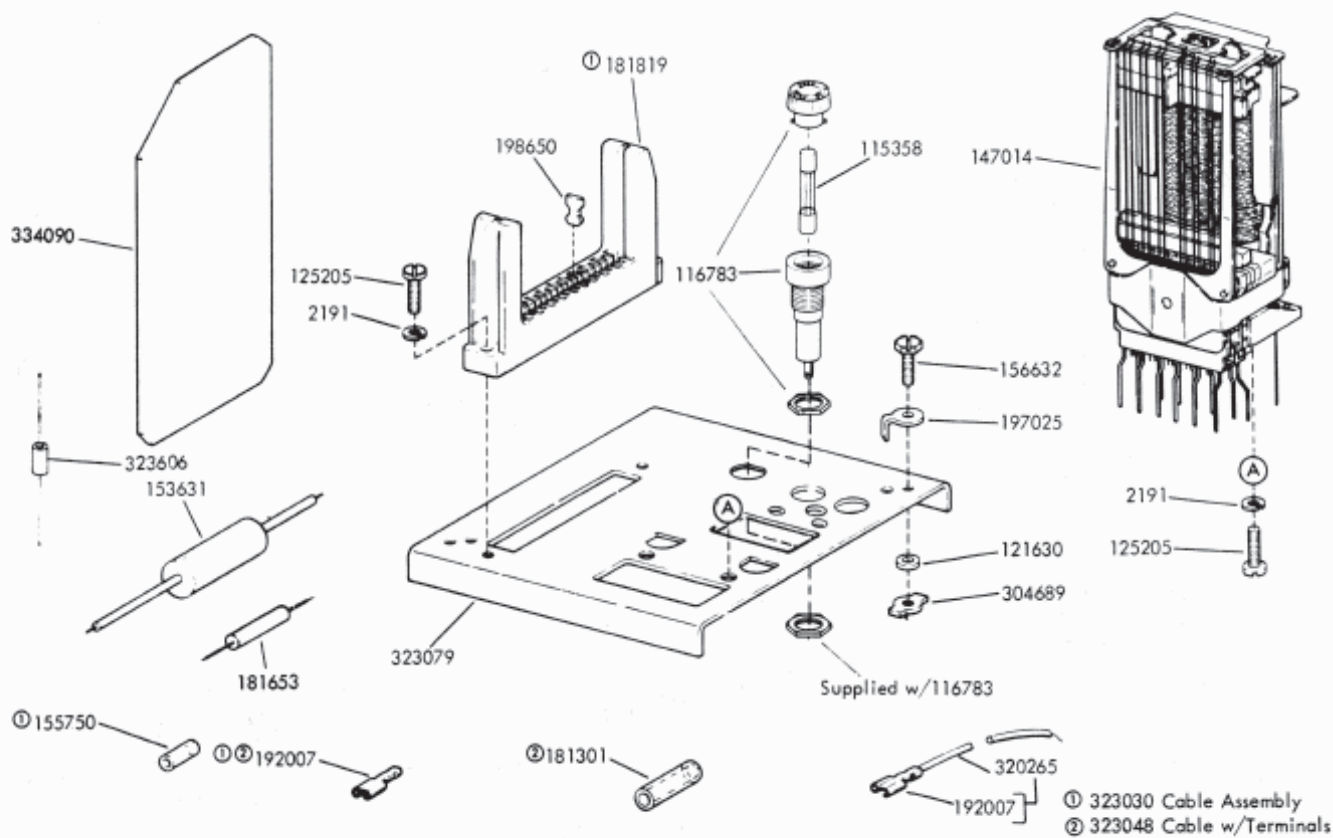


FIGURE 25. 323055 RELAY PLATE ASSEMBLY

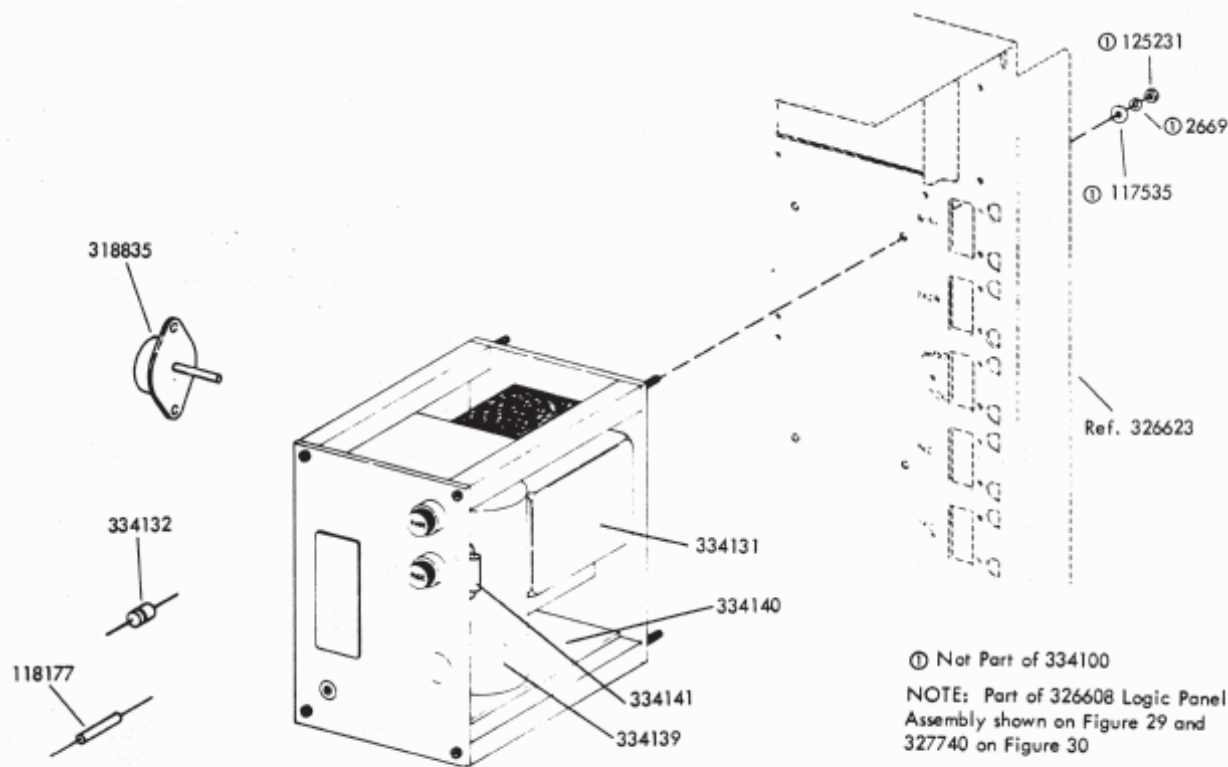
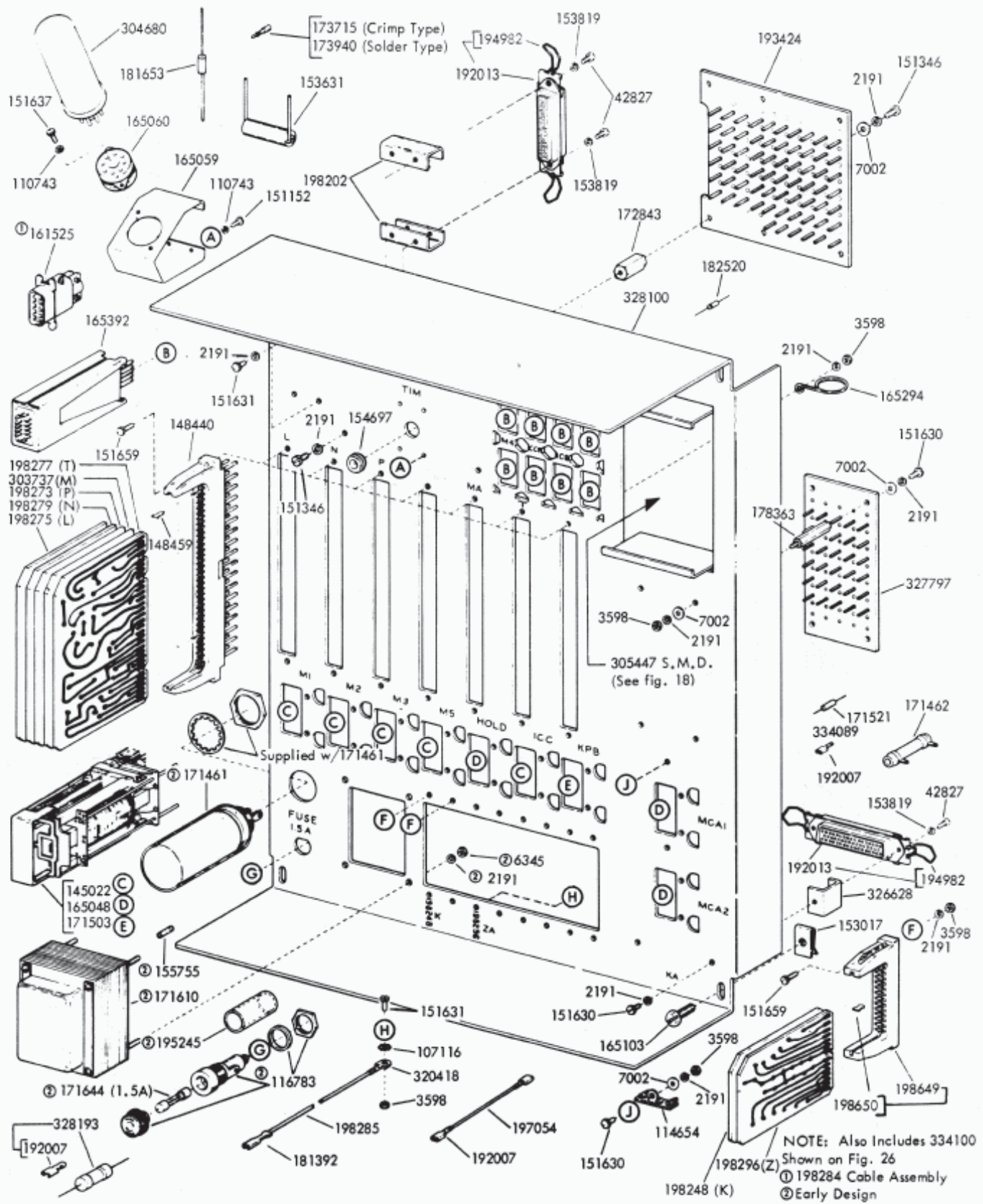


FIGURE 26. 334100 48 VOLT D.C. REGULATED POWER SUPPLY ASSEMBLY



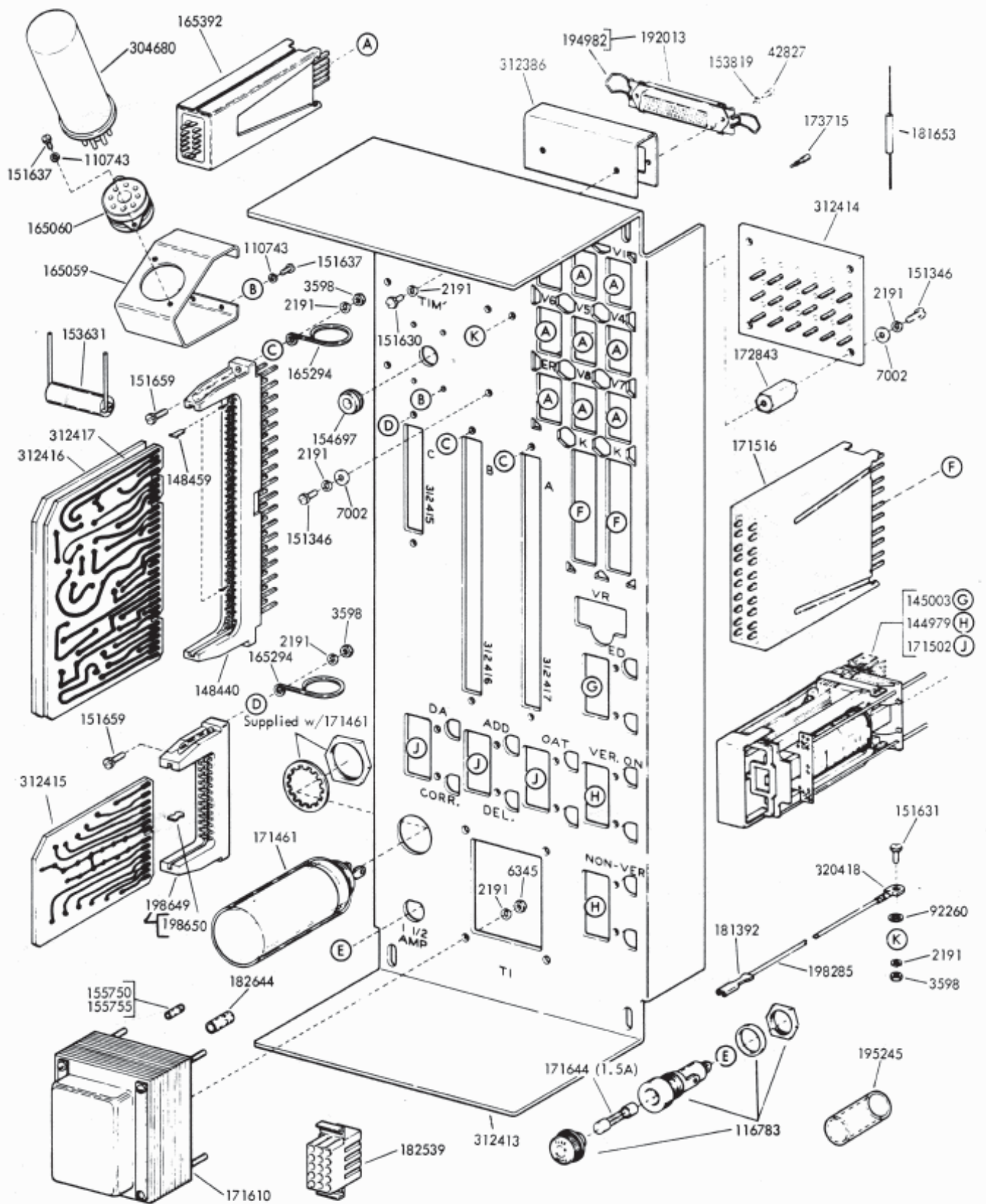


FIGURE 31. 312407 TAPE VERIFIER CONTROL MODULE ASSEMBLY

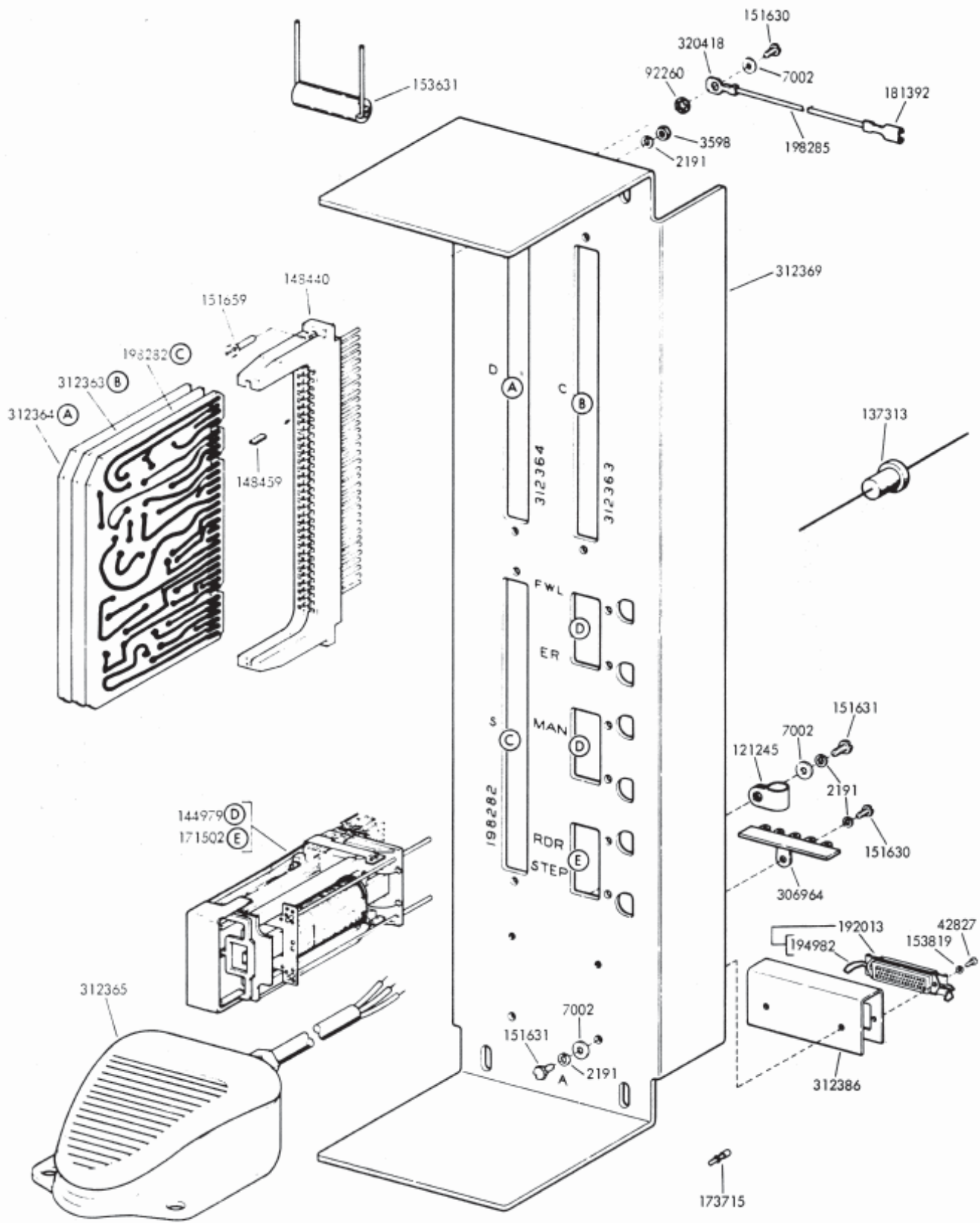


FIGURE 32. 312369 FIXED WORD LENGTH CONTROL MODULE ASSEMBLY

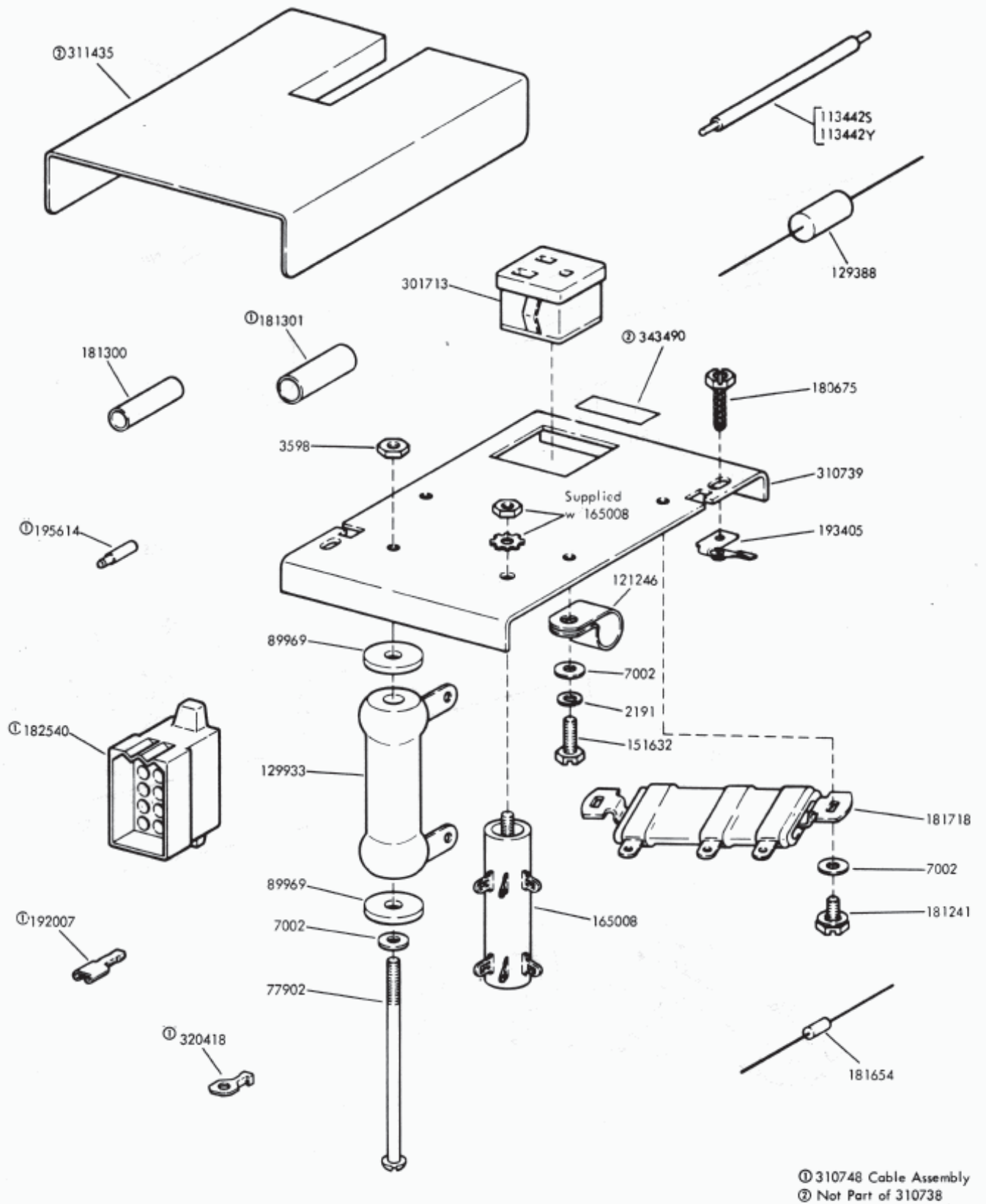


FIGURE 33. 310738 PANEL ASSEMBLY

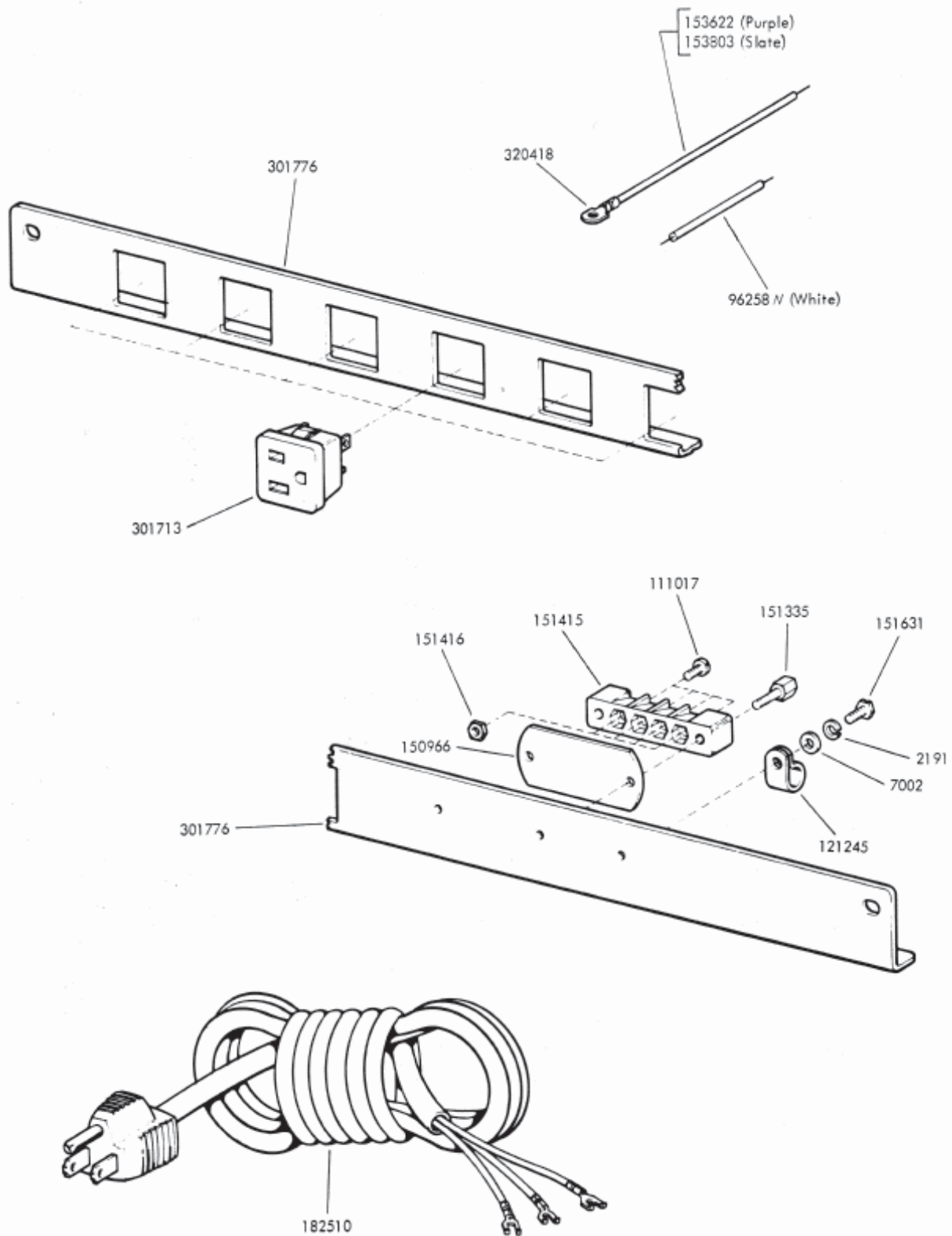
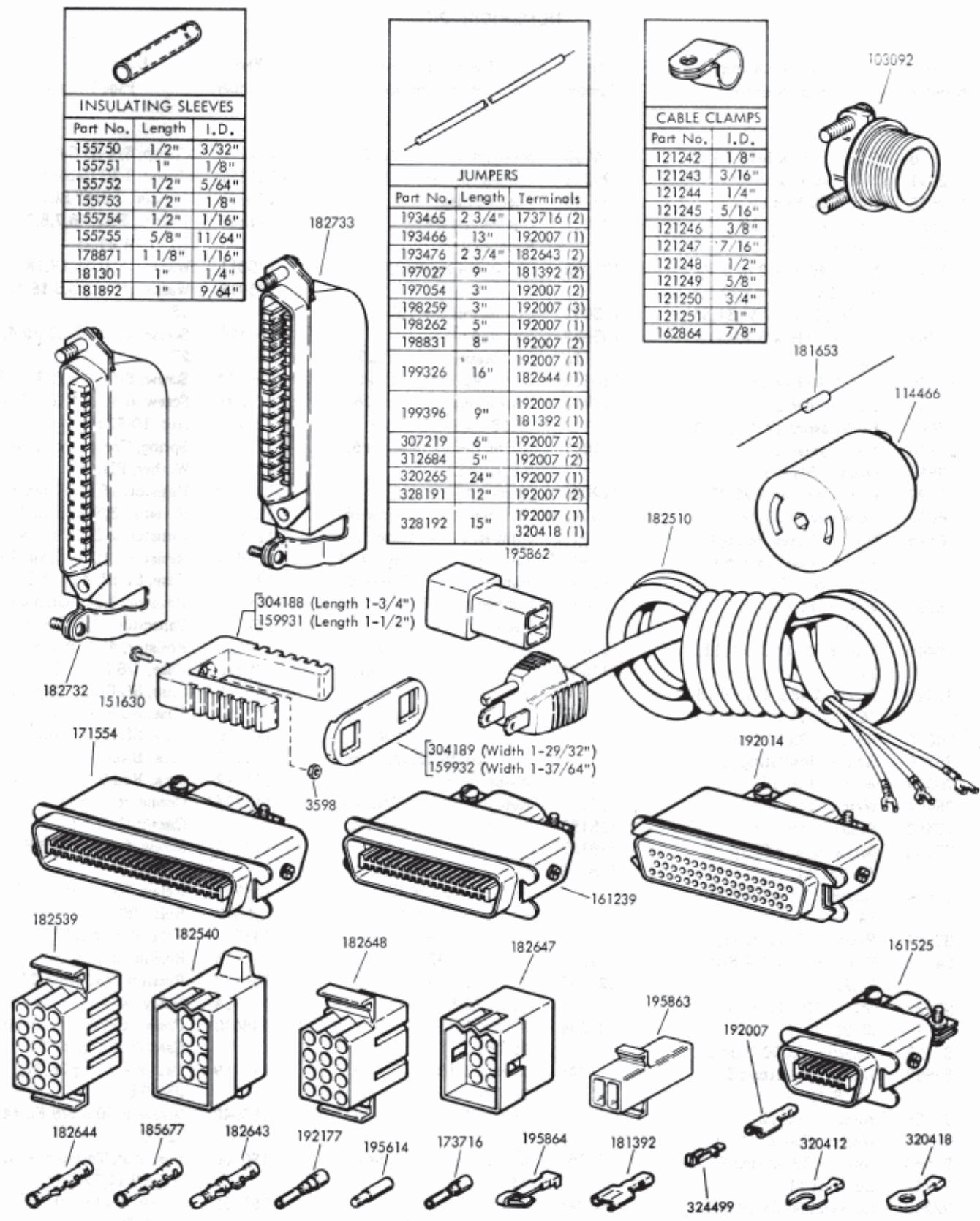


FIGURE 34. 301782 CONNECTOR PLATE ASSEMBLY



INSULATING SLEEVES		
Part No.	Length	I.D.
155750	1/2"	3/32"
155751	1"	1/8"
155752	1/2"	5/64"
155753	1/2"	1/8"
155754	1/2"	1/16"
155755	5/8"	11/64"
178871	1 1/8"	1/16"
181301	1"	1/4"
181892	1"	9/64"

JUMPERS		
Part No.	Length	Terminals
193465	2 3/4"	173716 (2)
193466	13"	192007 (1)
193476	2 3/4"	182643 (2)
197027	9"	181392 (2)
197054	3"	192007 (2)
198259	3"	192007 (3)
198262	5"	192007 (1)
198831	8"	192007 (2)
199326	16"	192007 (1) 182644 (1)
199396	9"	192007 (1) 181392 (1)
307219	6"	192007 (2)
312684	5"	192007 (2)
320265	24"	192007 (1)
328191	12"	192007 (2)
328192	15"	192007 (1) 320418 (1)

CABLE CLAMPS	
Part No.	I.D.
121242	1/8"
121243	3/16"
121244	1/4"
121245	5/16"
121246	3/8"
121247	7/16"
121248	1/2"
121249	5/8"
121250	3/4"
121251	1"
162864	7/8"

FIGURE 35. CABLE COMPONENTS

NUMERICAL INDEX

Part Number	Description and Page Number	Part Number	Description and Page Number	Part Number	Description and Page Number
1158	Screw, 6-32 x 5/16 Fil 10	94665	Screw, 6-40 Shoulder 2	121250	Clamp, 3/4 ID Cable 33
2191	Lockwasher 2 to 32	96258W	Jumper, 3" White 32	121251	Clamp, 1 ID Cable 33
2658	Nut, 6-32 Hex 25	98718	Washer, Flat 2	121426	Jumper, 7-3/4" Black 11
2669	Lockwasher 19,24	100657	Connector, 2 Pt Receptacle 6	121630	Washer, Flat 2,6,7,8,9, 10,11,14,24,25
3438	Washer, Flat 19	102092	Screw, 6-40 x 1-17/32 RD 3,11	125011	Washer, Flat 16,17,18
3598	Nut, 6-40 Hex 2 to 5, 7, 9,10, 13 to 17, 21,22, 23,26,27,28,29,30,31,33	103092	Connector, Cord 33	125015	Washer, Flat 2,3,5,16,17, 18
3599	Nut, 4-40 Hex 6,7,9,11, 20	103469	Screw, 4-40 Spl 2	125126	Screw, 2-56 x 9/32 Fil 4, 27
3606	Nut, 6-40 Hex 25	107116	Lockwasher 2,26,27,28	125170	Screw, 8-32 x 5/16 Fil 19
3639	Lockwasher 2	110435	Nut, 4-40 Hex 16,17,25	125205	Screw, 6-40 x 7/16 Fil 24
3640	Lockwasher 19,20,21,22	110743	Lockwasher 6,7,9,11,16, 17,18,25,26,27,28,29	125231	Nut, 10-32 Hex 24
3646	Lockwasher 2	111017	Screw, 6-40 x 5/16 Fil 6, 7,8,9,11,32	125237	Spring, Compression 20,22
3650	Washer, Flat 21	112080	Washer, Flat 2	125802	Washer, Flat 25
5599	Nut, 8-32 Hex 2,20,22	113442BK	Jumper, 2-1/2" Black 16	129388	Resistor, 15,000 Ohm 31
6033	Lockwasher 20,22	113442S	Jumper, 2-1/2" Slate 31	129851	Resistor, 3,300 Ohm 4
6345	Nut, 6-32 Hex 24,28,29	113442Y	Jumper, 2-1/2" Yellow 31	129852	Resistor, 2,200 Ohm 4
7002	Washer, Flat 2,3,4, 6 to 22,25 to 30,32	113443	Jumper, 2-1/3" Orange 5	129854	Resistor, 10,111 Ohm 22
8330	Washer, Flat 2,4,5,15, 17,23	114466	Connector, 3 Pt Receptacle 33	129919	Fuse, SL-BL 4 Amp 8,9
8449	Spacer, .094" Thk 7,11, 21	114478	Nut, 15/32-32 Hex 9	129933	Resistor, 1,200 Ohm 31
42827	Screw, 3-48 x 1/4 Fil 18, 26,27,28,29,30	114654	Strip, Terminal 4,23,27, 28	137313	Capacitor, 50 MFD 30
74615	Resistor, 2,000 Ohm 3	115358	Fuse, 1 Amp 9,24	137602	Resistor, 470 Ohm 4
75750	Washer, Insulating 3,25	116783	Holder, Fuse 6,7,8,9,11, 16,17,24,25,26,27,28,29	139200	Fuse, 1/8 Amp 15
76099	Washer, Flat 14	117535	Washer, Flat 24	139820	Fuse, SL-BL 2.5 Amp 6
76461	Washer, Flat 16,17	118177	Resistor, 22,000 Ohm 24	142269	Fuse, SL-BL 3 Amp 11
77362	Resistor, 350 Ohm 3	118180	Resistor, 10,000 Ohm 22	143306	Fuse, SL-BL 1 Amp 25
77902	Screw, 6-40 x 2-3/8 Rd 3,18,25,31	118187	Resistor, 27,000 Ohm 4	143311	Jack, Black 9
80854	Screw, 6-40 x 1-7/8 Fil 14	118193	Resistor, 10,000 Ohm 4	143312	Jack, Red 9
82284	Resistor, 70 Ohm 18	118210	Resistor, 22,000 Ohm 25	143773	Connector, 15 Pt
84990	Screw, 6-40 x 1/4 Flat 20,22	120216	Resistor, 1,800 Ohm 4,27	144590	Circuit Card 17
85422	Screw, 10-32 x 15/16 Hex 20,22	121125	Washer, Spring 21,22	144979	Screw, 6-40 x 1-3/8 Fil 16,17
87477	Resistor, 1,000 Ohm 3	121242	Clamp, 1/8 ID Cable 33	144979	Relay, 700 Ohm 29,30
89969	Washer, Insulating 3,5, 14,18,31	121243	Clamp, 3/16 ID Cable 2, 13,21,25,33	145003	Relay 29
90789	Washer, Flat 12	121244	Clamp, 1/4 ID Cable 15, 16,18,33	145022	Relay 4,5,26,27,28
90790	Washer, Flat 2	121245	Clamp, 5/16 ID Cable 7, 9,17,30,32,33	145753	Bushing 21,22
91683	Nut, 15/32-32 Hex 9	121246	Clamp, 3/8 ID Cable 31, 33	146967	Resistor, 750 Ohm 25
91742	Locknut 11	121247	Clamp, 7/16 ID Cable 6, 33	147014	Relay 24
92260	Lockwasher 25,29,30	121248	Clamp, 1/2 ID Cable 33	148440	Connector, 36 Pt Circuit Card 26,27,28,29,30
93117	Lockwasher 4,27	121249	Clamp, 5/8 ID Cable 19, 33	148459	Tab. Polarizing 26,27, 28,29,30

NUMERICAL INDEX (Continued)

Part Number	Description and Page Number	Part Number	Description and Page Number	Part Number	Description and Page Number
151335	Stud 6,7,8,9,11,31,32	153622	Jumper, 5" Purple 32	162864	Clamp, 7/8 ID Cable 33
151346	Screw, 6-40 x 3/8 Fil 4, 14 to 17, 23, 26 to 29	153631	Network, Spark Suppression 3,4,5,12,13, 24,26,27,28,29,30	164958	Screw, 4-40 x 1/2 Hex 16, 17
151415	Block, Terminal 6,7,8,9, 11,32	153803	Jumper, 5" Slate 11,32	165008	Turret, Terminal 3,31
151416	Nut, 6-40 Hex 6,7,8,9, 11,32	153817	Screw, 4-40 x 3/8 Hex 25	165009	Terminal 25
151418	Fuse, 10 Amp 6	153819	Lockwasher 18,26,27,28, 29,30	165048	Relay 26,27,28
151427	Plate, Clamp 14,25	153841	Screw, 6-40 x 9/16 Hex 2	165059	Bracket, Mounting 26,27, 28,29
151442	Screw, 6-40 x 1/2 Hex 3, 15,17	154697	Grommet, Rubber 6,7,8,9, 11,26,27,28,29	165060	Socket, Tube 23,26,27, 28,29
151629	Nut, 6-40 Lug 3,16	155045	Switch, SP-DT Toggle 9	165103	Screw, 12-24 x 5/8 Rd 19, 27,28
151630	Screw, 6-40 x 1/4 Hex 6, 7,8,11,15,17,18,27,28,29, 30,33	155750	Sleeve, 3/32 ID x 1/2" Lg Insulating 7,11,14,16, 17,24,29,33	165116	Terminal 6,7,9,11
151631	Screw, 6-40 x 5/16 Hex 2, 4,6,10,12,16,17,21,26 to 30, 32	155751	Sleeve, 1/8 ID x 1" Lg Insulating 33	165294	Guide, Wire 26,27,28,29
151632	Screw, 6-40 x 3/8 Hex 3, 9,10,13,15,16,17,19,21, 22,31	155752	Sleeve, 5/64 ID x 1/2" Lg Insulating 18,33	165330	Resistor, 1,000 Ohm 4,27
151637	Screw, 4-40 x 1/4 Fil 26, 27,28,29	155753	Sleeve, 1/8 ID x 1/2" Lg Insulating 33	165392	Relay, 525 Ohm 26,27,28, 29
151657	Screw, 6-40 x 1/4 Fil 10, 18	155754	Sleeve, 1/16 ID x 1/2" Lg Insulating 33	165704	Cable w/Terminals 13
151658	Screw, 6-40 x 5/16 Fil 6, 7	155755	Sleeve, 11/64 ID x 5/8" Lg Insulating 5,7,11,14, 16,26,27,28,29,33	165708	Relay Assembly 1,13
151659	Screw, 6-40 x 1/2 Fil 26, 27,28,29,30	155858	Resistor, 700 Ohm 5,14	165710	Jumper, 8-1/2" Green 8, 11
151687	Screw, 4-40 x 7/16 Fil 18,20,21,22	156536	Screw, 4-40 x 1/8 Fil 6,7	165735	Cable Assembly 14
151689	Screw, 4-40 x 3/4 Fil 20	156632	Screw, 6-40 x 13/32 Hex 5,6,7,8,9,11,21,23,24	165736	Regenerator Assembly, Signal 1,14
151692	Screw, 6-40 x 3/16 Fil 6, 7,20,22	158286	Transformer 6,7,8,9,10, 11,13	171195	Post 4
151693	Screw, 6-40 x 9/16 Fil 4	159658	Screw, 6-40 x 1-3/32 Hex 15	171461	Capacitor, 900 MFD 25, 26,27,28,29
151722	Screw, 6-40 x 3/16 Hex 6, 7,8,9,10,11,17	159931	Clamp 33	171462	Resistor, 450 Ohm 28
151724	Screw, 10-32 x 5/8 Hex 2	159932	Keeper 33	171463	Resistor, 1 Ohm 25
151732	Screw, 4-40 x 11/32 Fil 19	160229	Plate, Mounting 25	171501	Relay 12
151827	Strap, Terminal 6,7,11	160847	Stud 2,4,27	171502	Relay 29,30
151939	Grommet, Rubber 10,13	161136	Fuse, SL-BL 6-1/4 Amp 6,7,11	171503	Relay 4,27,38
152893	Screw, 4-40 x 1/4 Hex 20,21,22	161239	Connector, 36 Pt Plug 33	171516	Relay 29
153017	Nut, Speed 19,27,28	161525	Connector, 14 Pt Plug 26,27,28,33	171521	Resistor, 100 Ohm 27,28
153455	Resistor, 600 Ohm 3	162357	Capacitor, 500 MFD 25	171524	Resistor, 700 Ohm 3,4, 12,27
153484	Screw, 6-32 Spl 3,13	162358	Diode 25	171541	Diode 3,4,25
153538	Screw, 6-40 x 7/16 Hex 6,7,21,22	162359	Transformer, Power 25	171554	Connector, 50 Pt Plug 33
		162360	Fuse, SL-BL .8 Amp 25	171568	Socket, 11 Pt 23
		162861	Screw, 6-40 x 1-7/16 Fil 5	171610	Transformer 26,27,28,29
				171644	Fuse, 1.5 Amp 26,27,28, 29
				172843	Post 26,27,28,29
				173715	Terminal, Plug Type 18, 26,27,28,29,30
				173716	Terminal, Receptacle Type 4,33
				173940	Terminal, Plug Type 18, 26,27,28

NUMERICAL INDEX (Continued)

Part Number	Description and Page Number	Part Number	Description and Page Number	Part Number	Description and Page Number
173941	Terminal, Receptacle Type 4	181810	Relay 6,7	185678	Plate, Identification 17
177100	Rectifier 4	181814	Capacitor, 250 MFD 3	185682	Plate, Identification 11
177108	Diode 4	181819	Connector, 15 Pt Circuit Card 24	185684	Plate, Identification 8, 9
177113	Insulator 16,17	181843	Nameplate 6	185686	Plate, Identification 6, 7,11
177566	Jumper, 6" Black 8,11	181848	Nameplate 6	192007	Terminal, Tab Type 3,4, 5,6,7,8,9,10,11,13,14,15, 16,17,18,23,24,25,26,27, 28,31,33
178306	Relay, Power 13	181849	Nameplate 6	192013	Connector, 50 Pt Plug Type 18,26,27,28,29,30
178363	Stud 28	181891	Sleeve, 3/16 ID x 2-1/2" Lg Insulating 13	192014	Connector, 50 Pt Receptacle Type 33
178535	Suppressor, Spark 13	181892	Sleeve, 9/64 ID x 1" Lg Insulating 25,33	192108	Jumper, 4-1/2" Slate 11
178848	Diode 4	182182	Holder, Fuse 15	192176	Terminal, Plug Type 27
178853	Cover, Relay 10	182193	Insulator 13	192177	Terminal Receptacle Type 33
178854	Bracket, Relay 10	182284	Insulator, .015" Thk 3, 16,17	192273	Nut, Speed 2
178856	Relay, Line Shunt 10	182501	Capacitor, 1,500 MFD 16, 17	192274	Screw, 8-32 Spl 2
178860	Capacitor, .022 MFD 21, 22	182510	Cord, Power 32,33	192710	Cover 20,22
178871	Sleeve, 1/2 ID x 1-1/8" Lg Insulating 33	182520	Rectifier 4,27,28	192713	Capacitor, 1 MFD 20,22
178872	Sleeve, 1/16 ID x 1-1/4" Lg Insulating 25	182523	Clamp, 1-3/8" ID Mounting 3,16,17	192714	Choke, .70 Ohm 21,22
179173	Relay 4,27	182539	Connector, 15 Pt Receptacle Type 29,33	192715	Transformer 20,22
179796	Chassis 20,22	182540	Connector, 15 Pt Plug Type 18,27,31,33	192719	Bushing, Shoulder 21,22
179812	Bracket, Mounting 21,22	182611	Fuse, SL-BL 3/8 Amp 16,17	192720	Diode 21
179813	Dissipator, Heat 21,22	182630	Card, Circuit 16	192721	Diode 21
180586	Sleeve, 5/32 ID x 21/32" Lg Insulating 16,17	182631	Card, Circuit 16	192723	Resistor, 100 Ohm 20,22
180675	Screw, No.6 Self-Tapping 4,12,13,14,31	182632	Card, Circuit 16	192724	Resistor, 600 Ohm 20
181241	Screw w/Lockwasher, 6-40 x 1/4 Hex 3,9,23,31	182643	Terminal, Plug Type 6,7, 10,27,33	192725	Resistor, 800 Ohm 20,22
181242	Screw w/Lockwasher 6-40 x 5/16 Hex 23	182644	Terminal, Receptacle Type 6 to 10, 11,13,18, 27,29,33	192726	Block 21
181246	Screw w/Lockwasher, 6-40 x 5/8 Hex 3,16,17	182647	Connector, 12 Pt Plug Type 27,33	192727	Clamp 20,22
181266	Bushing, Insulating 16,17	182648	Connector, 12 Pt Receptacle Type 7,33	192730	Driver Assembly, Selector Magnet 1,20,21
181300	Sleeve, 3/16 ID x 1" Lg Insulating 31	182669	Relay, Power 3	192737	Bracket, Resistor 20,22
181301	Sleeve, 15/64 ID x 1" Lg Insulating 24,31,33	182716	Connector, 9 Pt Plug Type 6,8,10	192740	Keyer Assembly, Low Level 1,20,21
181392	Terminal, Tab Type 8,11, 26,27,28,29,30,33	182732	Connector, 50 Pt Plug 33	192747	Spacer, .125" Thk 20,22
181424	Nut, 6-40 Sq 16,17	182733	Connector, 50 Pt Receptacle 33	192750	Rectifier Assembly 1,22
181614	Resistor, 560 Ohm 23	183111	Label 16,17	192754	Varistor Assembly 21
181618	Capacitor, .01 MFD 21	185676	Terminal, Plug Type 7, 8,10	192767	Transistor 21
181653	Diode 3,15,23,24,26,27, 28,29,33	185677	Terminal, Receptacle Type 33	192970	Post 21,22
181654	Diode 3,31			192973	Washer, Insulating 21
181675	Transistor, Power 16,17			192974	Washer, Insulating 21,22
181718	Resistor, 2,000 - 10,000 Ohm 31			192979	Stud 20,22
				192980	Terminal 21,22
				192984	Socket, 3 Pt 20
				193040	Connector w/Guide Slot 18
				193401	Plate, Mounting 13

NUMERICAL INDEX (Continued)

Part Number	Description and Page Number	Part Number	Description and Page Number	Part Number	Description and Page Number
193405	Nut, Speed 4,12,13,14,16, 31	197078	Plate, Mounting 6,8,10	199018	Post 22
193417	Container, Electrical Service 2,3	198200	Panel Assembly, Relay 1, 26	199019	Cover 21
193418	Plate, Mounting 4	198201	Panel, Relay Mounting 26	199020	Cover 21
193420	Cover 2	198202	Plate 26,27,28	199021	Cover 21
193422	Board, Terminal 2,27	198203	Container 2,3	199022	Cover 22
193424	Board, Terminal 4,26,27, 28	198205	Cable Assembly 14,23	199023	Cover 22
193464	Plate, Mounting 14	198208	Board, Terminal 2	199028	Post 21,22
193465	Jumper, 3/4" Black 33	198209	Power Supply 1,14	199029	Cable w/Terminals 22
193466	Jumper, 13" Green 27,33	198214	Cover 2	199038	Card, Circuit 21
193467	Plate Assembly 1,4	198248	Card, Circuit 14,23,26, 27,28	199069	Bar, Spacing 19
193476	Jumper, 2-3/4" Black 33	198259	Jumper, 3" Black 3,27, 33	199314	Cable w/Terminals 4
193485	Driver Assembly, Selector Magnet 1,16,27	198260	Card, Circuit 26	199315	Relay Assembly 4
194584	Resistor, 350 Ohm 4,23,27	198262	Jumper, 5" Black 33	199316	Bracket, Mounting 4
194982	Clip, Connector 18,26,27, 28,29,30	198265	Resistor, 800 Ohm 27	199317	Relay 4,27
194990	Screw, 10-32 Shoulder 2	198273	Card, Circuit 26,27,28	199319	Cable w/Terminals 4,27
195153	Transformer 16,17	198275	Card, Circuit 26,27,28	199322	Connector, 6 Pt Receptacle Type 6,7,8, 9,10,11,13
195242	Plate, Mounting 16	198277	Card, Circuit 26,27,28	199325	Jumper, 16" Yellow 6,7, 8,9,10,11,13
195243	Plate, Heat Sink 16	198279	Card, Circuit 26,27,28	199326	Jumper, 16" Purple 6,7, 8,10,11,13,33
195244	Cable w/Terminals 16	198282	Card, Circuit 30	199350	Transformer Assembly, Copylight 1,13
195245	Sleeve, 1/2 ID x 1-1/2" Lg Insulating 11,16,17,25, 26,27,28,29	198284	Cable Assembly 26,27,28	199352	Transformer 6,7,9,10,11, 13
195272	Screw, 6-40 Spl 21,22	198285	Cable w/Terminals 26,27, 28,29,30	199360	Distribution Assembly, Power 1,6
195273	Bushing 21,22	198291	Bracket, Relay 6,7	199379	Plate Assembly, Relay 1, 4
195614	Pin, Key 31,33	198292	Cover, Relay 6,7	199392	Insulator 2
195862	Connector, 2 Pt Plug 33	198293	Insulator, Terminal Block 6,7	199393	Washer, Insulating 2
195863	Connector, 2 Pt Receptacle 33	198296	Card, Circuit 26,27,28	199394	Insulator 2
195864	Terminal 33	198507	Resistor, 100 Ohm 3	199396	Jumper, 9" Black 33
195939	Cover 2	198516	Plate, Mounting 5	199879	Bracket 19
195940	Stud 2,12	198599	Bracket, Mounting 19	301650	Resistor Assembly 14
197020	Board, Terminal 2	198649	Connector, 15 Pt Circuit Card 4,14,15,16, 23,26,27,28,29	301651	Distribution Assembly, Power 1,6
197025	Stop 2,5 to 12, 15,17, 23,24	198650	Key, Polarizing 4,14,15, 16,24,26,27,28,29	301662	Plate, Mounting 19
197027	Jumper, 9" Black 33	198666	Plate 14	301666	Plate 14
197028	Terminal 2	198670	Screw w/Lockwasher, 6-40 x 5/16 Hex 18	301669	Cable Assembly 14
197029	Cable w/Terminals 6	198831	Jumper, 8" Black 3,33	301675	Cable Assembly 6
197031	Connector, 3 Pt Receptacle 6,7,9,11	199003	Card, Circuit 21	301713	Connector, 2 Pt Receptacle 6,8,31,32
197043	Board, Terminal 2	199006	Card, Circuit 21,22	301718	Card, Circuit 18
197053	Driver Assembly, Selector Magnet 1,16	199010	Diode 22	301719	Card, Circuit 18
197054	Jumper, 3" Black 26,27, 28,33	199013	Post, White Insulated 21,22	301720	Connector, 30 Pt Card 18
		199016	Post 21	301725	Relay Assembly 1,18
		199017	Post 22		

NUMERICAL INDEX (Continued)

Part Number	Description and Page Number	Part Number	Description and Page Number	Part Number	Description and Page Number
301727	Plate w/Bracket 18	311406	Terminal, Receptacle Type 16,17	320420	Terminal, Ring Type 16, 17
301728	Plate 18	311435	Insulator 31	321338	Board, Terminal 2
301729	Cable Assembly 18	312325	Card, Circuit 15	323029	Cable w/Terminals 25
301730	Clamp 18	312326	Cable w/Terminals 15	323030	Cable Assembly 24
301732	Post 18	312329	Bracket, Fuse 17	323047	Cable w/Terminals 9
301773	Card, Circuit 18	312333	Transformer 15	323048	Cable w/Terminals 24
301776	Plate, Connector 32	312351	Driver Assembly, Selector Magnet 1,16	323050	Rectifier Assembly 1,25
301782	Plate Assembly, Connector 1,32	312352	Card, Circuit 16	323055	Plate Assembly, Relay 1, 24
301813	Container 2,3	312353	Cable w/Terminals 16	323056	Distribution Assembly, Power 1,9
303737	Card, Circuit 27,28	312363	Card, Circuit 30	323079	Plate 24
304188	Clamp 33	312364	Card, Circuit 30	323606	Diode 24
304189	Keeper 33	312365	Switch, Foot 30	324499	Terminal 33
304680	Relay 26,27,28,29	312369	Panel, Relay Mounting 30	326608	Panel Assembly 1,24,27
304681	Transformer 25	312382	Chassis 9	326609	Distribution Assembly, Power 1,10
304689	Plate, Clamp 2,5,6,7,8, 9,10,11,12,15,17,23,24	312386	Bracket, Connector 29,30	326612	Diode w/Terminals 3
304925	Board, Terminal 12	312389	Module Assembly 1,30	326614	Cable w/Terminals 10
305019	Jumper, 2" Brown 20	312391	Plate 15	326623	Panel, Relay Mounting 24, 27
305020	Jumper, 2" Purple 20	312392	Bracket 15	326628	Bracket 27,28
305038	Washer, Insulating 21,22	312407	Module Assembly 1,29	326635	Network, Spark Suppression 3
305060	Cable w/Terminals 25	312413	Panel, Relay Mounting 29	326636	Jumper 3
305061	Rectifier Assembly 1,25	312414	Board, Terminal 29	327740	Panel Assembly 1,24,28
305091	Capacitor, .22 MFD 22	312415	Card, Circuit 29	327797	Board, Terminal 28
305092	Post, White Insulated 22	312416	Card, Circuit 29	328092	Board, Terminal 2
305411	Mounting Plate, Relay 12	312417	Card, Circuit 29	328093	Cover 2
305417	Board Assembly, Terminal 1,12	312684	Jumper, 5" Black 33	328098	Distribution Assembly, Power 1,7
305440	Relay Assembly 1,5	315627	Cable w/Terminals 9	328099	Cable w/Terminals 7
305441	Cable w/Terminals 5	315647	Cable w/Terminals 9	328100	Panel 28
305446	Regenerator Assembly, Signal 1,15	315999	Bracket 17	328191	Jumper, 12" Black 33
305447	Driver Assembly, Selector Magnet 1,17,28	318835	Transistor 24	328192	Jumper, 15" Red 33
305458	Cable w/Terminals 17	319257	Distribution Assembly, Power 1,7	328193	Resistor w/Terminals, 4 Ohm 28
305459	Card Circuit 17	319258	Plate 7	328197	Insulator 2
305462	Plate, Mounting 17	319268	Cable w/Terminals 7	328345	Plate, Mounting 11
305466	Plate 17	320255	Distribution Assembly, Power 1,8	328366	Diode w/Terminals 3
305762	Cover 12	320256	Cable Assembly 8	328811	Distribution Assembly, Power 1,11
306949	Capacitor 23	320262	Board, Terminal 2	330781	Shield, Transformer 16,17
306964	Strip, Terminal 30	320265	Jumper, 24" Green 24,33	330782	Shield, Transformer 16,17
307219	Jumper, 6" Black 18,27, 33	320266	Cover 2	330792	Transformer 16,17
308439	Diode 17	320410	Terminal, Spade Type 13	332693	Relay Assembly 1,13
308440	Strip, Terminal 17	320412	Terminal, Spade Type 33	332879	Cable w/Terminals 13
308478	Cord, Power 11	320416	Terminal, Ring Type 16, 17,20,22	332999	Driver Assembly, Selector Magnet 1,16
310738	Panel Assembly 1,31	320418	Terminal, Ring Type 6,7, 8,9,11,13,26,27,28,29,30, 31,32,33		
310739	Plate, Mounting 31				
310748	Cable Assembly 31				

NUMERICAL INDEX (Continued)

Part Number	Description and Page Number	Part Number	Description and Page Number	Part Number	Description and Page Number
333480	Rectifier Assembly 3	334140	Card, Circuit 24	343490	Power Supply Assembly 31
334089	Resistor w/Terminals 27, 28	334141	Capacitor 24	343978	Relay 23
334090	Card, Circuit 24	334429	Board, Terminal 2	344256	Relay 23
334100	Power Supply Assembly 1, 24,27,28	334433	Board, Terminal 2	344257	Cable w/Terminals 23
334131	Transformer 24	334434	Cover 2	344258	Plate 23
334132	Diode 24	334435	Insulator 2	344262	Board, Terminal 2
334139	Capacitor 24	336379	Adapter 3	344268	Plate Assembly, Control Relay 1,23
		342113	Relay 3		
		343470	Label 6,9		