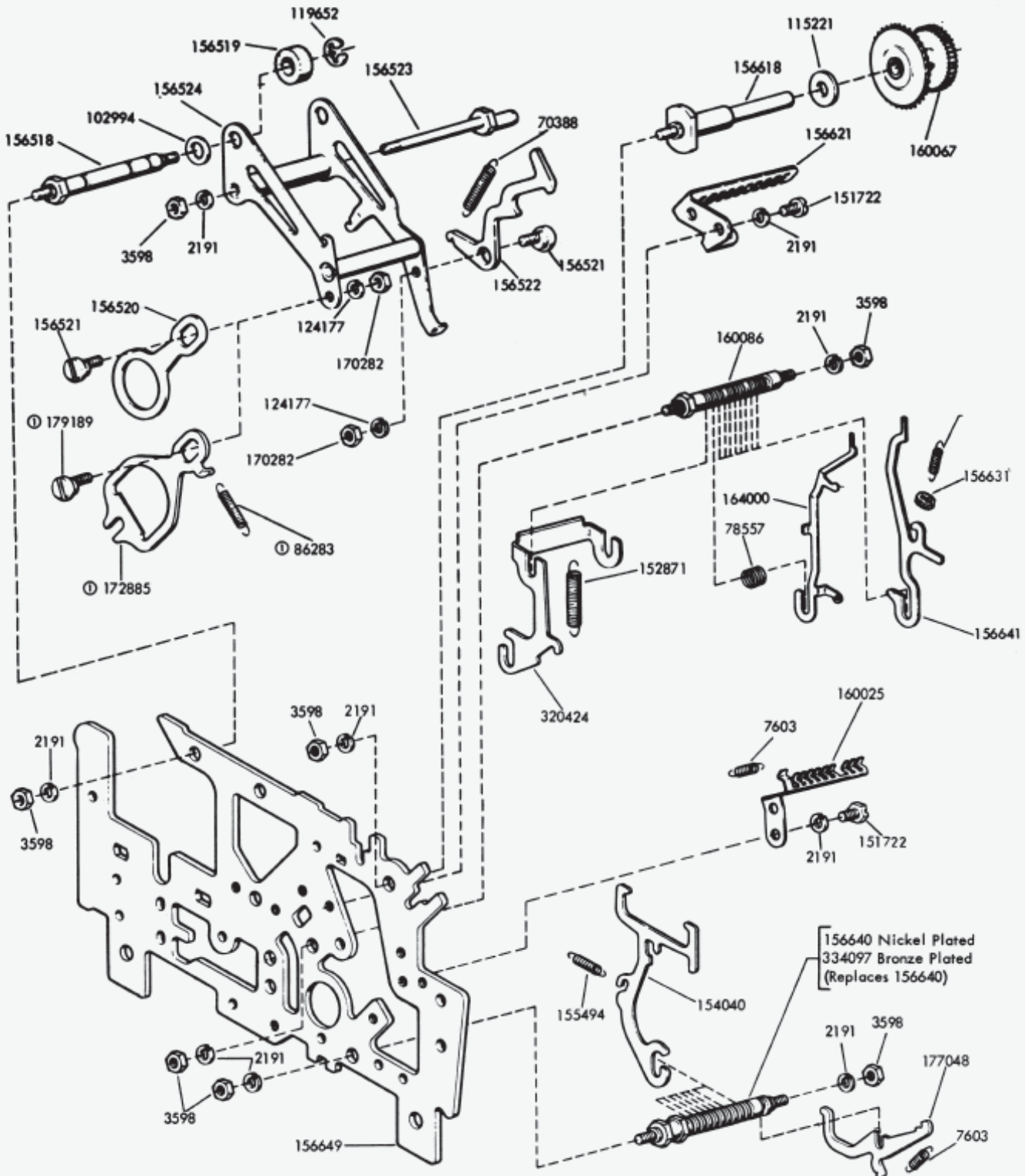


35 TRANSMITTER (LX)  
PARTS

FIGURE	CONTENTS	PAGE
1	Front Plate Mechanism	2
2	Front Plate Mechanism (Continued)	3
3	Front Plate Mechanism (Continued)	4
4	Center Plate Mechanism	5
5	Rear Plate Mechanism	6
6	Clutch Trip Magnet Mechanism	7
7	Main Shaft Mechanism - 1 Cycle	8
8	Main Shaft Mechanism - 2 Cycle	8
9	Tape Guide Plate Mechanism	9
10	Cover and Top Plates	10
11	Cable Components	10
	Numerical Index	11



① Peculiar to units equipped with a two cycle clutch.

FIGURE 1. FRONT PLATE MECHANISM

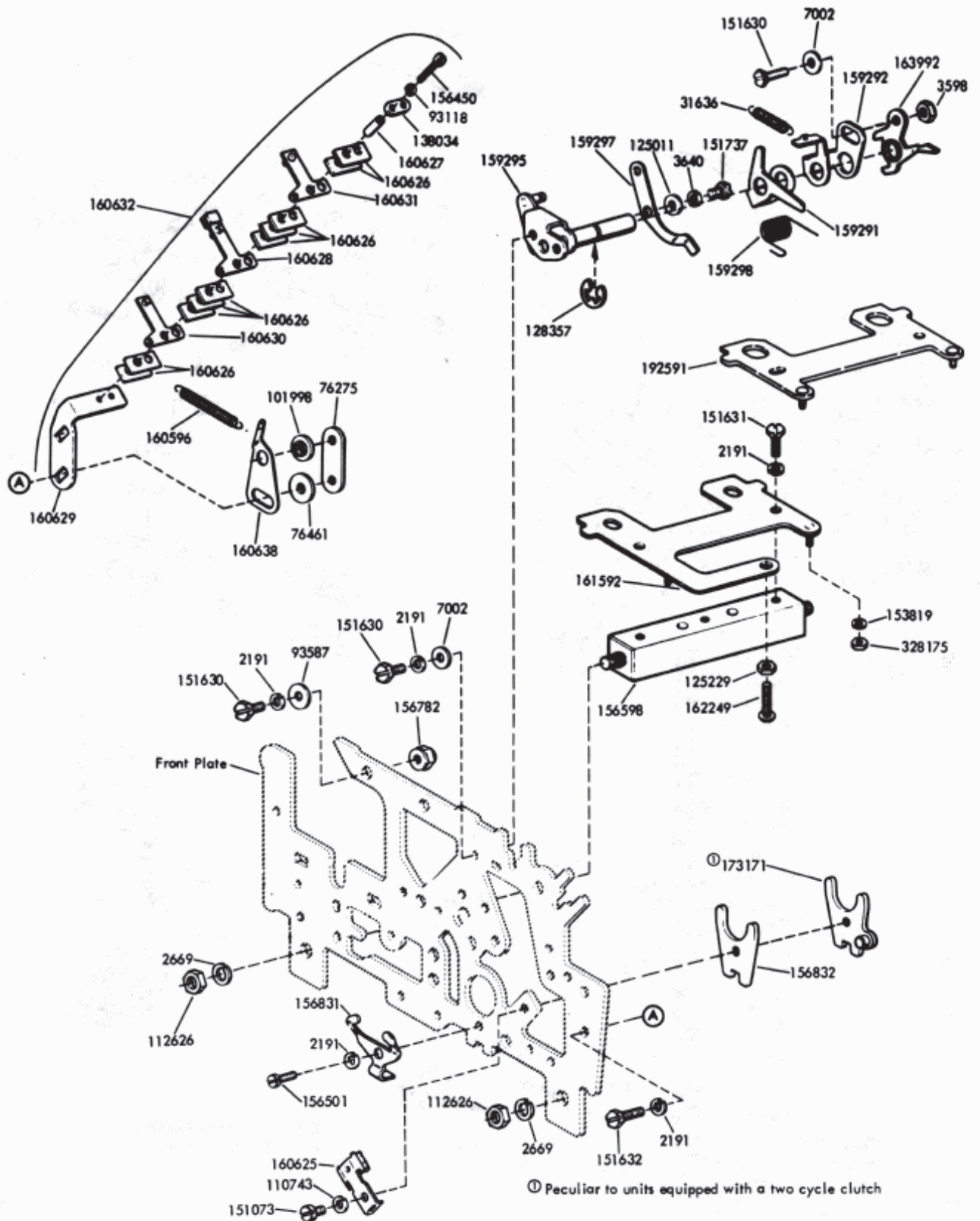


FIGURE 2. FRONT PLATE MECHANISM (Continued)

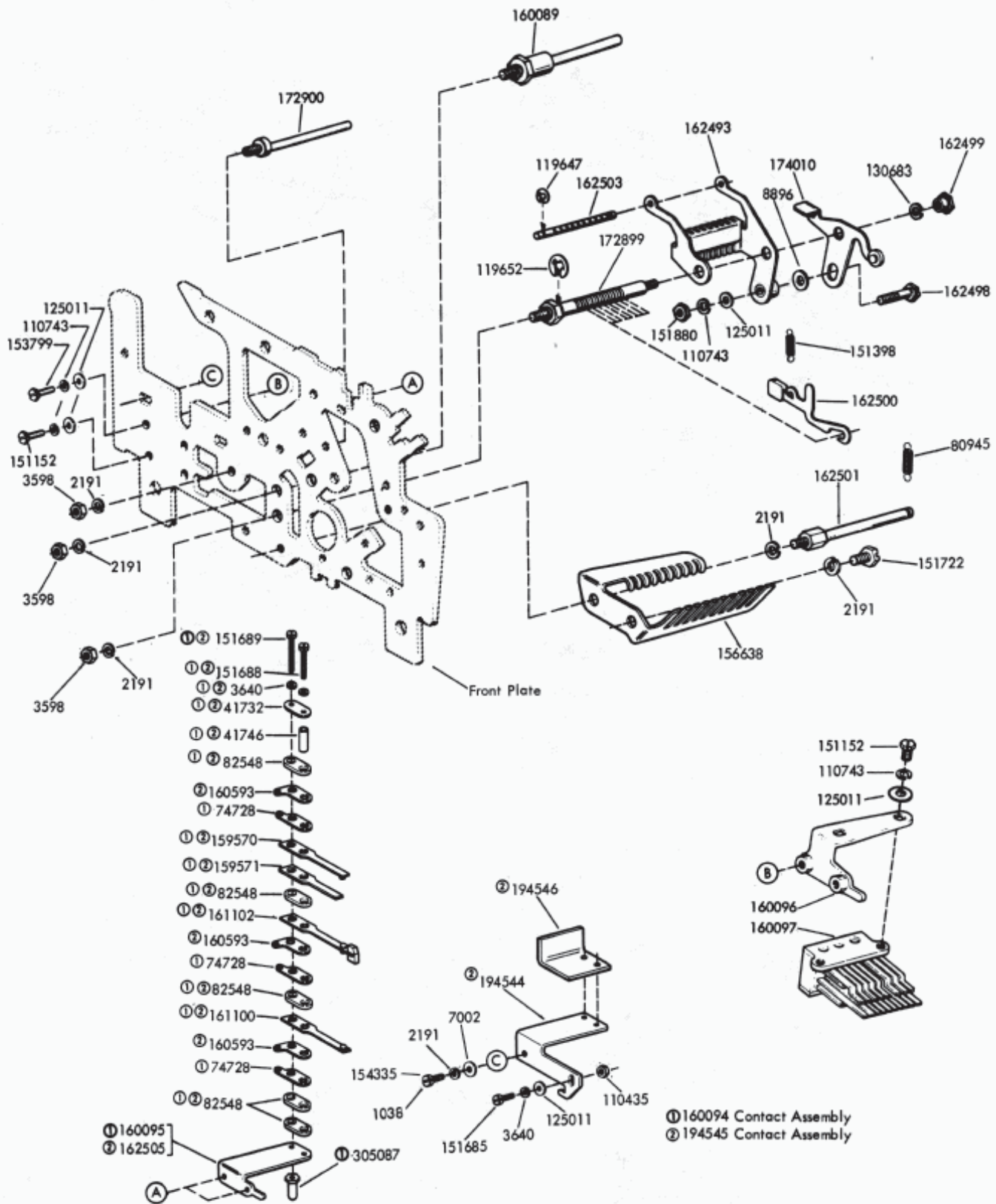
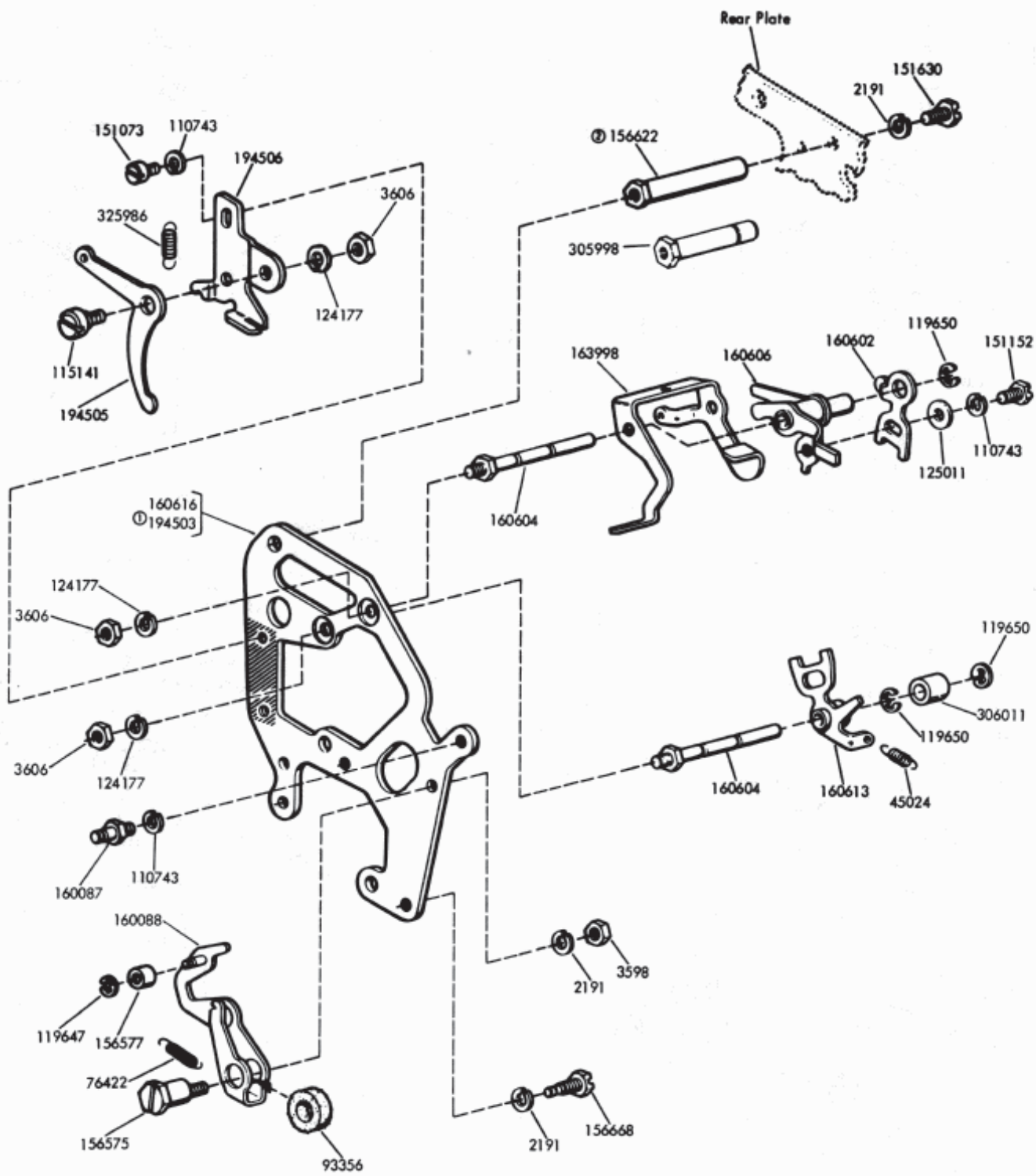


FIGURE 3. FRONT PLATE MECHANISM (Continued)



① Holes in Crosshatched Area are Peculiar to 194503  
 ② Replaced by 305998

FIGURE 4. CENTER PLATE MECHANISM

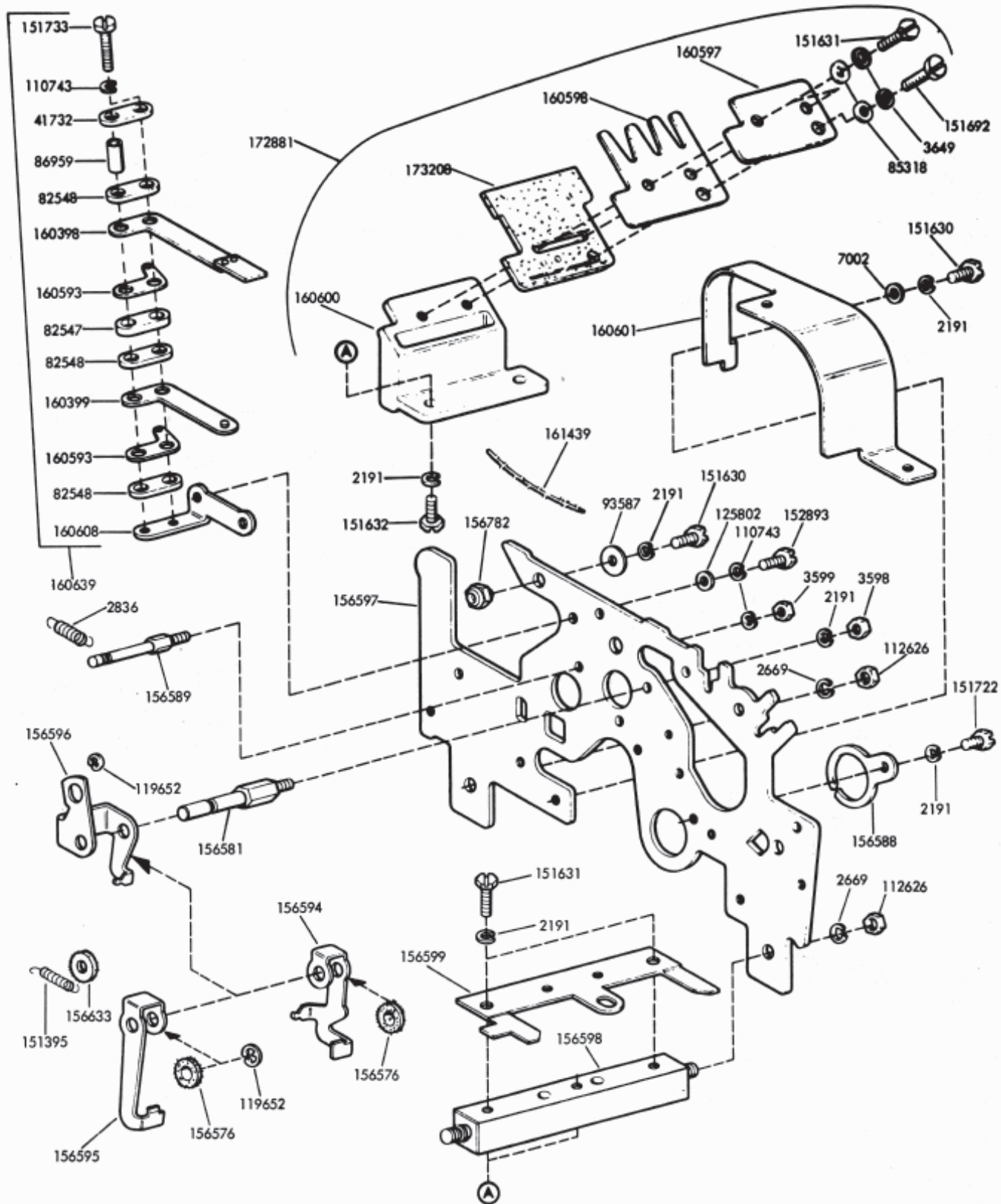


FIGURE 5. REAR PLATE MECHANISM

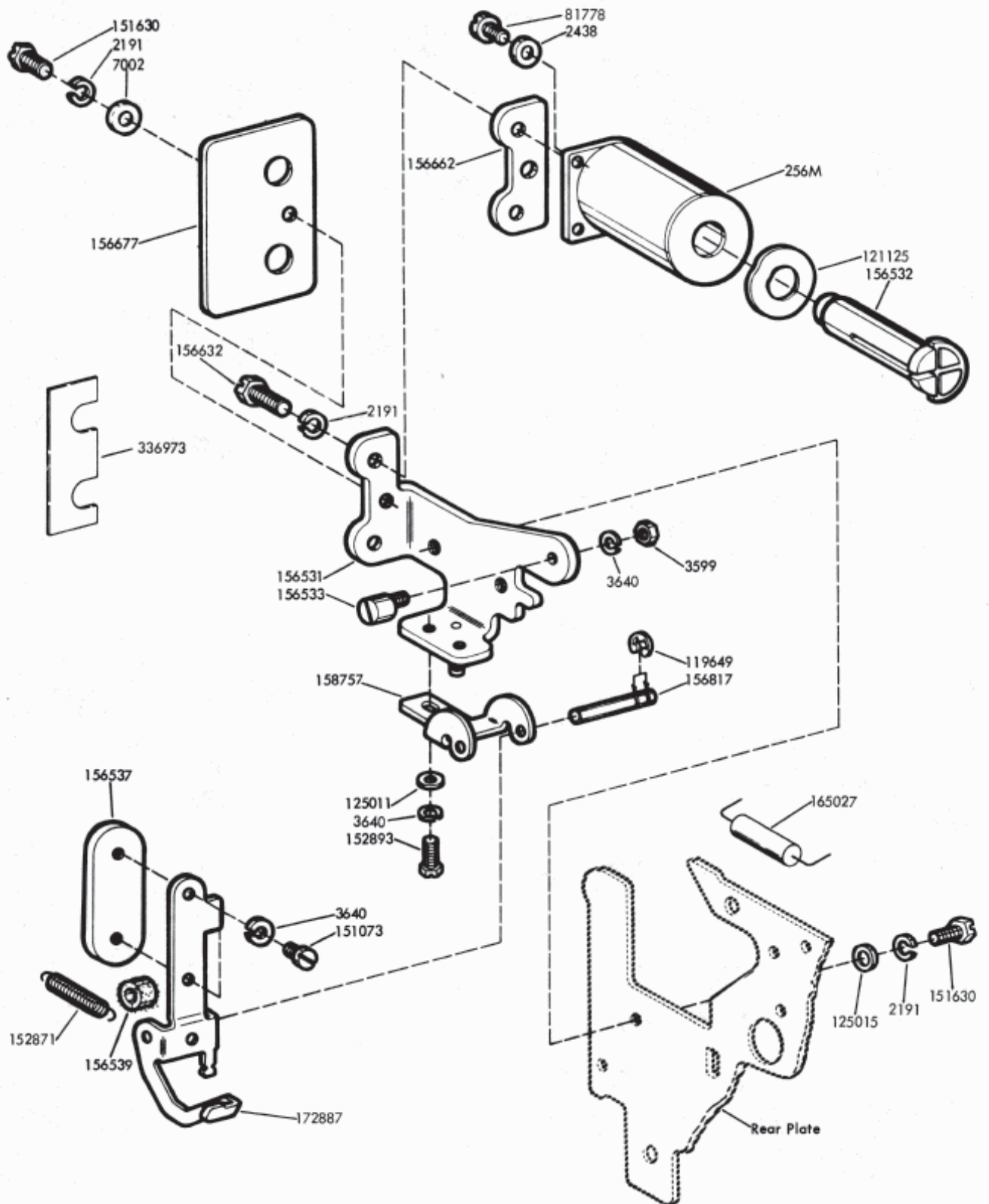


FIGURE 6. CLUTCH TRIP MAGNET MECHANISM

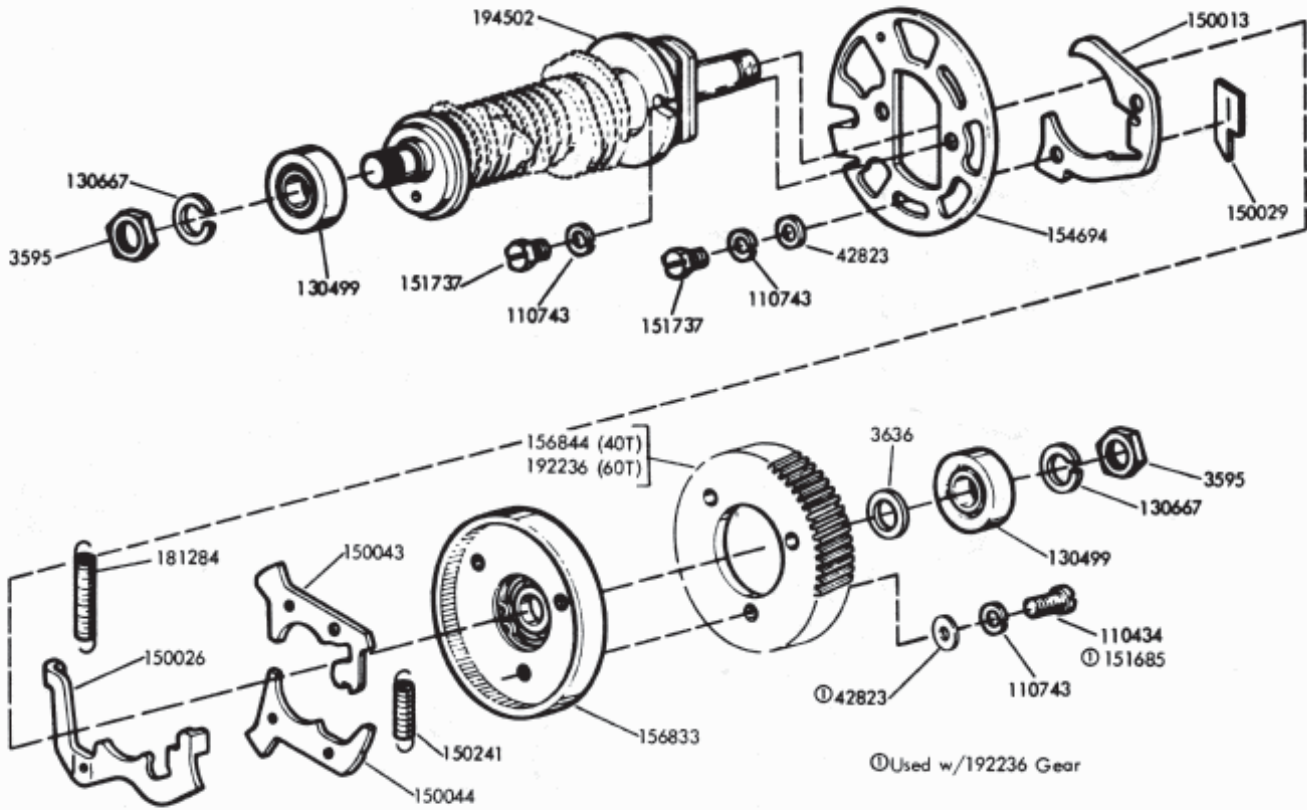


FIGURE 7. MAIN SHAFT MECHANISM - 1 CYCLE

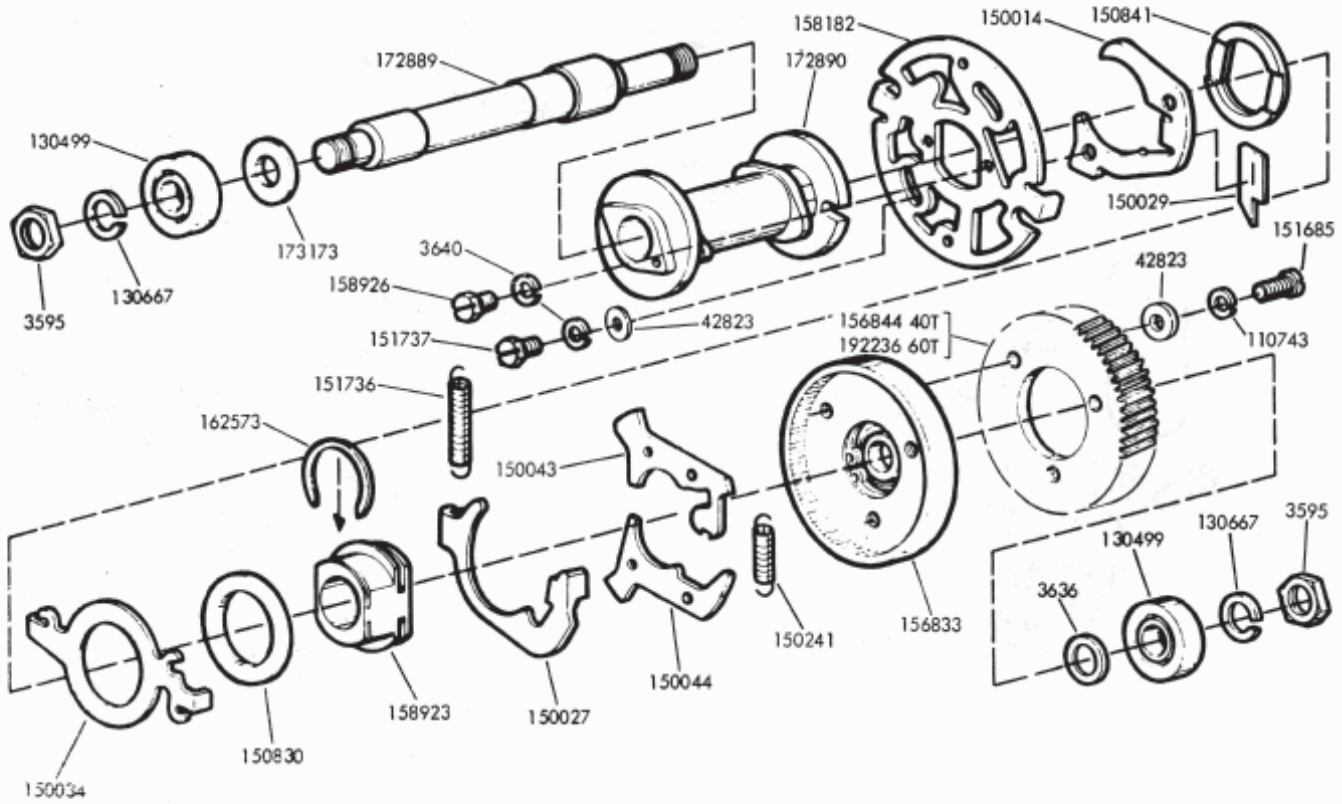


FIGURE 8. MAIN SHAFT MECHANISM - 2 CYCLE



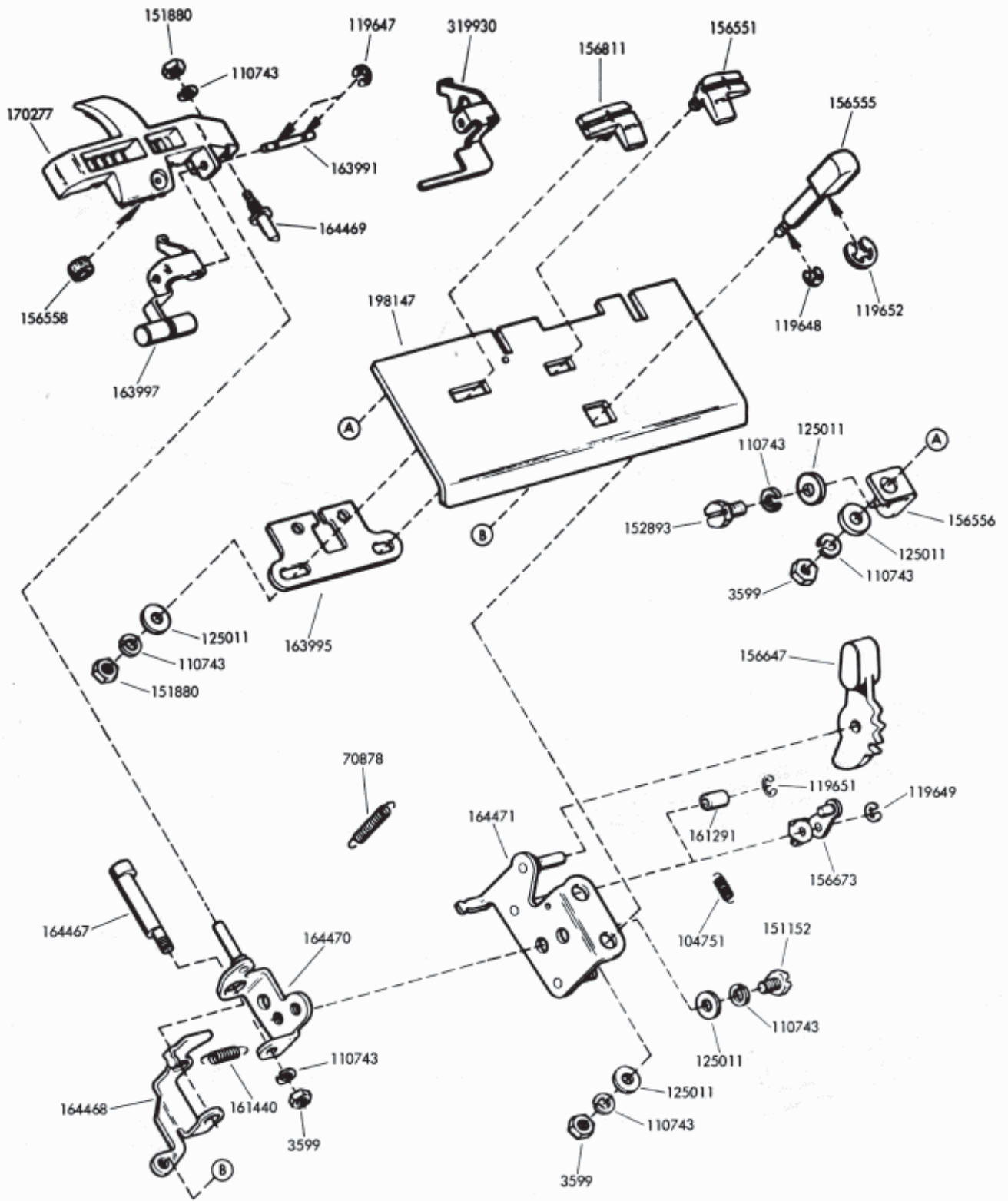


FIGURE 9. TAPE GUIDE PLATE MECHANISM

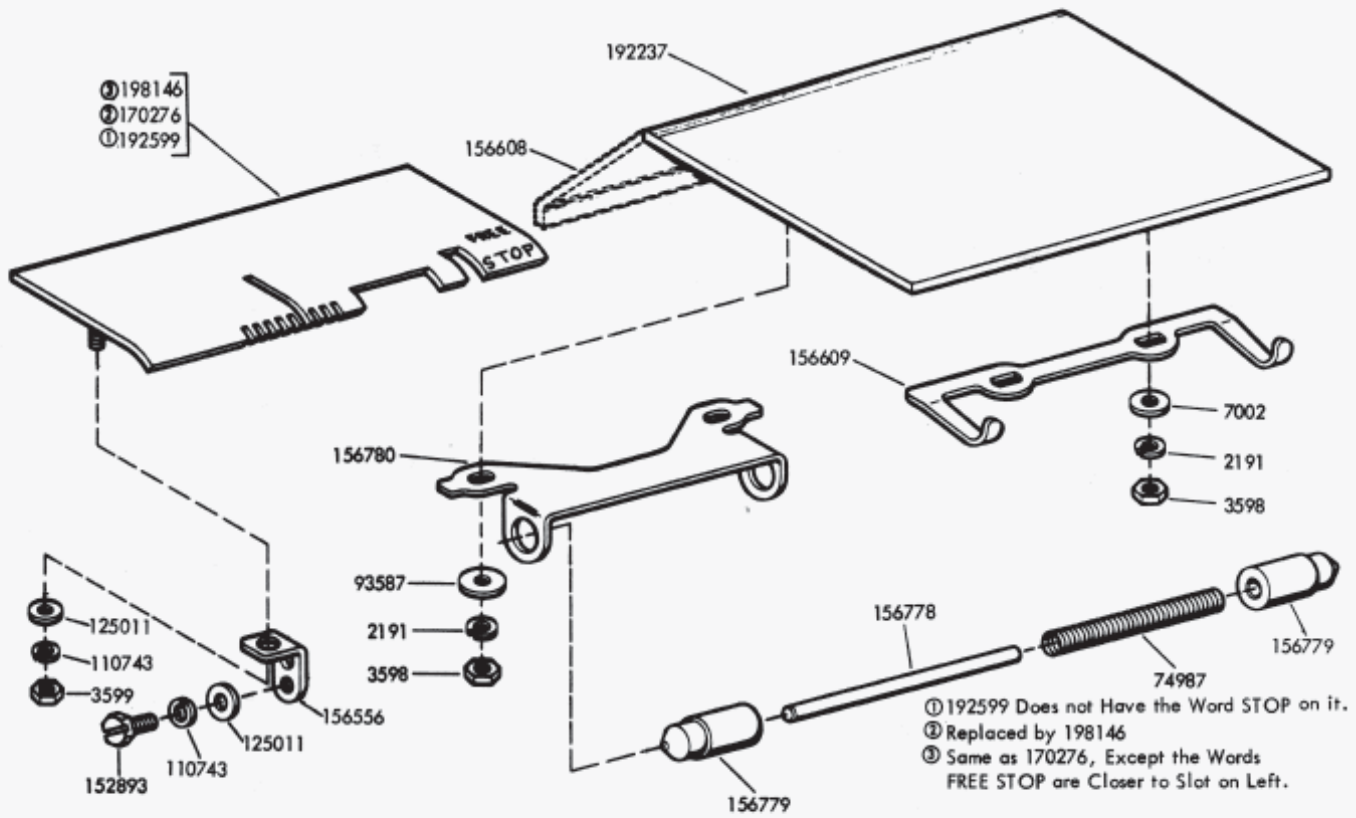


FIGURE 10. COVER AND TOP PLATES

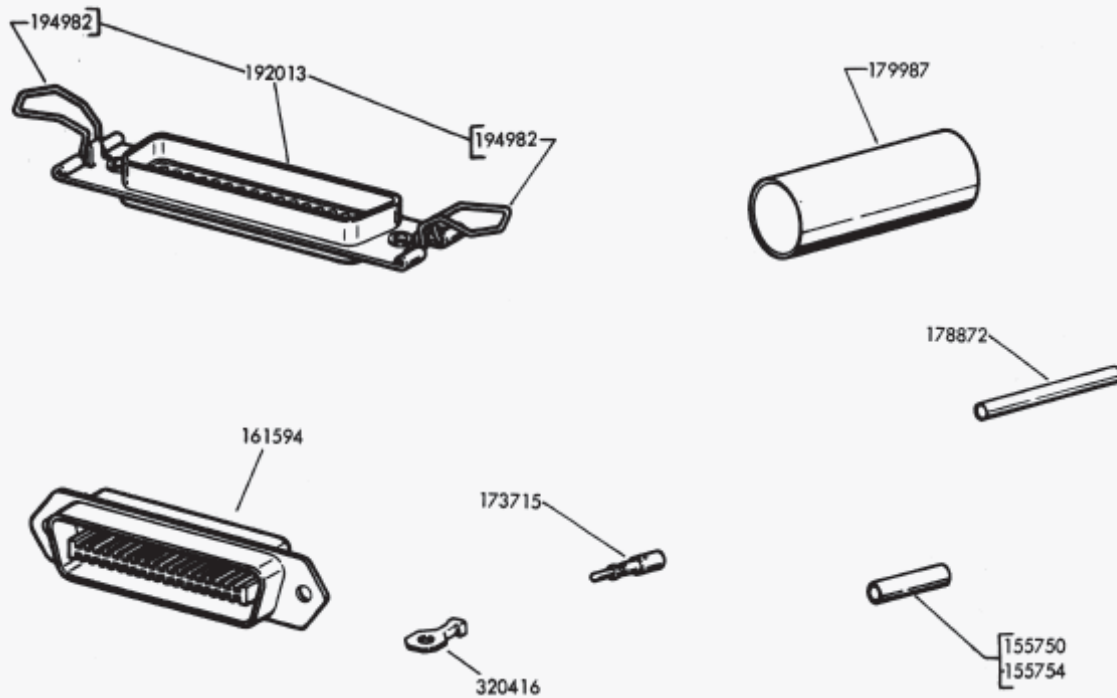


FIGURE 11. CABLE COMPONENTS

## NUMERICAL INDEX

Part Number	Description and Page Number	Part Number	Description and Page Number	Part Number	Description and Page Number
256M	Coil, Magnet 7	115141	Screw, 6-40 Shoulder 5	151722	Screw, 6-40 x 3/16 Hex 2,4,6
1038	Screw 6-40 x 9/32 Fil 154335 4	115221	Washer, Felt 2	151733	Screw, 4-40 x 9/16 Fil 6
2191	Lockwasher 2,3,4,5,6,7, 10	119647	Ring, Retaining 4,5,9	151736	Spring 8
2438	Washer, Flat 7	119648	Ring, Retaining 9	151737	Screw, 4-40 x 11/64 Hex 3,8
2669	Lockwasher 3,6	119649	Ring, Retaining 7,9	151880	Nut, 4-40 Hex 4,9
2836	Spring 6	119650	Ring, Retaining 5	152871	Spring 2,7
3595	Nut, 1/4-32 Hex 8	119651	Ring, Retaining 9	152893	Screw, 4-40 x 1/4 Hex 6,7,9,10
3598	Nut, 6-40 Hex 2,3,4,5, 6,10	119652	Ring, Retaining 2,4,6,9	153799	Screw, 4-40 x 21/64 Hex 4
3599	Nut, 4-40 Hex 6,7,9,10	121125	Washer, Spring 7	153819	Lockwasher 3
3606	Nut, 6-40 Hex 5	124177	Lockwasher 2,5	154040	Lever, Transfer 2
3636	Washer, Flat 8	125011	Washer, Flat 3,4,5,7,9, 10	154335	Screw, 6-40 x 9/32 Fil 4
3640	Lockwasher 3,4,7,8	125015	Washer, Flat 7	154694	Disc, Clutch Cam 8
3649	Washer, Flat 6	125229	Nut, 6-32 Hex 3	155494	Spring 2
7002	Washer, Flat 3,4,6,7,10	125802	Washer, Flat 6	155750	Sleeve, 3/32 ID x 1/2" Lg Insulating 10
7603	Spring 2	128357	Ring, Retaining 3	156450	Screw, 2-56 x 1/2 Fil 3
8896	Shim, .004" Thk 4	130499	Bearing, Ball 8	156501	Screw, 6-40 x 7/32 Fil 3
31636	Spring 3	130667	Lockwasher 8	156518	Post 2
41732	Plate Clamp 4,6	130667	Lockwasher 4	156519	Washer, Felt 2
41746	Bushing, Insulating 4	130683	Lockwasher 4	156520	Arm 2
42823	Washer, Flat 8	138034	Plate, Clamp 3	156521	Screw, 6-40 Eccentric Shoulder 2
45024	Spring 5	150013	Disc, Adjusting 8	156522	Pawl 2
70388	Spring 2	150014	Disc, Adjusting 8	156523	Stud, Eccentric 2
70878	Spring 9	150026	Lever, Shoe Release 8	156524	Bail 2
74728	Terminal, Contact 4	150027	Lever, Shoe Release 8	156531	Bracket w/Post 7
74987	Spring, Compression 10	150029	Wick, Felt 8	156532	Core 7
76275	Plate, Nut 3	150029	Wick, Felt 8	156533	Screw, 4-40 Eccentric 7
76422	Spring 5	150034	Disc, 2 Stop Clutch 8	156537	Armature 7
76461	Washer, Flat 3	150043	Shoe, Secondary Clutch 8	156539	Washer, Felt 7
78557	Spring 2	150044	Shoe, Primary Clutch 8	156551	Guide, Right 9
80945	Spring 4	150241	Spring 8	156555	Plunger, Tape Lid 9
81778	Screw, 4-40 x 3/16 Fil 7	150830	Bushing, Shoulder 8	156556	Bracket 9,10
82547	Insulator, .094" Thk 6	150841	Bearing 8	156558	Washer, Felt 9
82548	Insulator, .062" Thk 4, 6	151073	Screw, 4-40 x 5/32 Fil 3,5,7	156575	Screw, 6-40 Eccentric Shoulder 5
85318	Washer, Leather 6	151152	Screw, 4-40 x 3/16 Hex 4,5,9	156576	Washer, Felt 6
86283	Spring 2	151395	Spring 6	156577	Roller, Detent Lever 5
86959	Bushing, Insulating 6	151398	Spring 4	156581	Stud 6
93118	Lockwasher 3	151630	Screw, 6-40 x 1/4 Hex 3,5,6,7	156588	Ring, Retaining 6
93356	Washer, Felt 5	151631	Screw, 6-40 x 5/16 Hex 3,6	156589	Post, Spring 6
93587	Washer, Flat 3,6,10	151632	Screw, 6-40 x 3/8 Hex 3, 6	156594	Lever, Trip 6
101998	Bushing, Shoulder 3	151685	Screw, 4-40 x 5/16 Fil 4,8	156595	Latchlever 6
102994	Washer, Flat 2	151688	Screw, 4-40 x 5/8 Fil 4	156596	Bail 6
104751	Spring 9	151689	Screw, 4-40 x 3/4 Fil 4	156597	Plate, Rear 6
110434	Screw, 4-40 x 3/16 Hex 8	151692	Screw, 6-40 x 3/16 Fil 6		
110435	Nut, 4-40 Hex 4				
110743	Lockwasher 3,4,5,6,8,9, 10				
112626	Nut, 10-32 Hex 3,6				

## NUMERICAL INDEX (Continued)

Part Number	Description and Page Number	Part Number	Description and Page Number	Part Number	Description and Page Number
156598	Post 3,6	160094	Contact Assembly, Auxiliary 4	163997	Bail 9
156599	Plate 6			163998	Bail 5
156608	Coverplate 10	160095	Bracket 4	164000	Pin, Tape-Out 2
156609	Plate, Spring 10	160096	Bracket w/Bushing 4	164467	Post, Eccentric 9
156618	Post 2	160097	Contact Assembly 4	164468	Bail 9
156621	Guide, Transfer Lever 2	160398	Spring, Contact 6	164469	Post 9
156622	Post 5	160399	Spring, Contact 6	164470	Bracket w/Stud 9
156631	Washer, Felt 2	160593	Terminal 4,6	164471	Bracket w/Stud 9
156632	Screw, 6-40 x 13/32 Hex 7	160596	Spring 3	165027	Network, Spark Suppression 7
156633	Washer, Felt 6	160597	Plate 6	170276	Coverplate 10
156638	Guide, Transfer Lever 4	160598	Stiffener 6	170277	Lid, Tape 9
156640	Post 2	160600	Reservoir, Oil 6	170282	Nut, 6-40 Hex 2
156641	Pin, Sensing 2	160601	Guard 6	172881	Reservoir Assembly, Oil 6
156647	Lever, Start-Stop 9	160602	Arm 5		
156649	Plate, Front 2	160604	Post 5	172885	Arm, Cam Follower 2
156662	Plate 7	160606	Arm w/Spring Post 5	172887	Bail 7
156668	Screw, 6-40 Spl 5	160608	Bracket, Contac 6	172889	Shaft, Main 8
156673	Bail w/Stud 9	160613	Arm w/Hub 4	172890	Cam Sleeve 8
156677	Plate, Insulator 7	160616	Plate 5	172899	Guidepost 4
156778	Rod 10	160625	Clip w/Wick 3	172900	Post, Stop 4
156779	Plunger 10	160626	Insulator, .031" Thk 3	173171	Plate w/Stud 3
156780	Bracket, Detent 10	160627	Bushing, Insulating 3	173173	Disc 8
156782	Nut, 6-40 Spl 3,6	160628	Spring, Contact 3	173208	Wick, Leather 6
156811	Guide, Left 9	160629	Bracket, contact 3	173715	Terminal, Plug Type 10
156817	Shaft 7	160630	Spring, Contact 3	174010	Plate 4
156831	Clamp 3	160631	Spring, Contact 3	177048	Latch 2
156832	Plate 3	160632	Contact, Assembly 3	178872	Sleeve, 1/16 ID x 1-1/4" Lg Insulating 10
156833	Drum Assembly, Clutch 8	160638	Bracket, Spring 3	179189	Screw, 6-40 Eccentric Shoulder 2
156844	Gear, 40T 8	160639	Contact Assembly 6	179987	Sleeve, 9/16 ID x 1-5/8" Lg Insulating 10
158182	Disc, Clutch Cam 8	161100	Spring, Contact 4	181284	Spring 8
158757	Hinge, Mounting 7	161102	Spring, Contact 4	192013	Connector, 50 Pt Plug Type 10
158923	Bearing, Sleeve 8	161291	Bushing 9	192236	Gear, 60T 8
158926	Screw, 4-40 x 7/32 Hex 8	161439	Wick, Felt 6	192237	Coverplate 10
159291	Bail 3	161440	Spring 9	192591	Plate w/Studs 3
159292	Bail 3	161592	Plate w/Stud 3	192599	Plate w/Studs 10
159295	Bracket w/Posts 3	161594	Connector, 36 Pt Plug 10	194502	Camshaft 8
159297	Arm, Stop 3	162249	Screw, 6-32 Insulating 3	194503	Plate, Center 5
159298	Spring, Torsion 3	162493	Bail 4	194505	Follower, Cam 5
159570	Spring, Contact 4	162498	Screw, 4-40 Eccentric 4	194506	Bracket, Cam Follower Guide 5
159571	Stiffener 4	162499	Nut, 4-40 Shoulder 4	194544	Bracket, Contact Assembly 4
160025	Bracket 2	162500	Arm, Sensing 4	194545	Contact Assembly, Auxiliary 4
160067	Wheel, Feed 2	162501	Post, Spring 4		
160086	Guidepost 2	162503	Shaft, Spring 4		
160087	Post, Spring 5	162505	Bracket, Contact 4		
160088	Bail w/Stud 5	162505	Bracket, Contact 4		
160089	Post, Stop 4	162573	Retainer 8		
		163991	Shaft 9		
		163992	Arm, Extension 3		
		163995	Plate 9		

## NUMERICAL INDEX (Continued)

Part Number	Description and Page Number	Part Number	Description and Page Number	Part Number	Description and Page Number
194546	Insulator 4	305998	Post 5	320424	Bail 2
194982	Clip, Connector 10	306011	Sleeve, Stop 5	325986	Spring 5
198146	Plate w/Studs 10	319930	Bail 9	328175	Nut, 3-48 Hex 3
198147	Plate w/Studs 9	320416	Terminal, Ring Type 10	334097	Post 2
305087	Post 4			336973	Insulator 7