

35 "CARDATA"\* READER (LEXD)  
(Edge-Punched Card Reader)

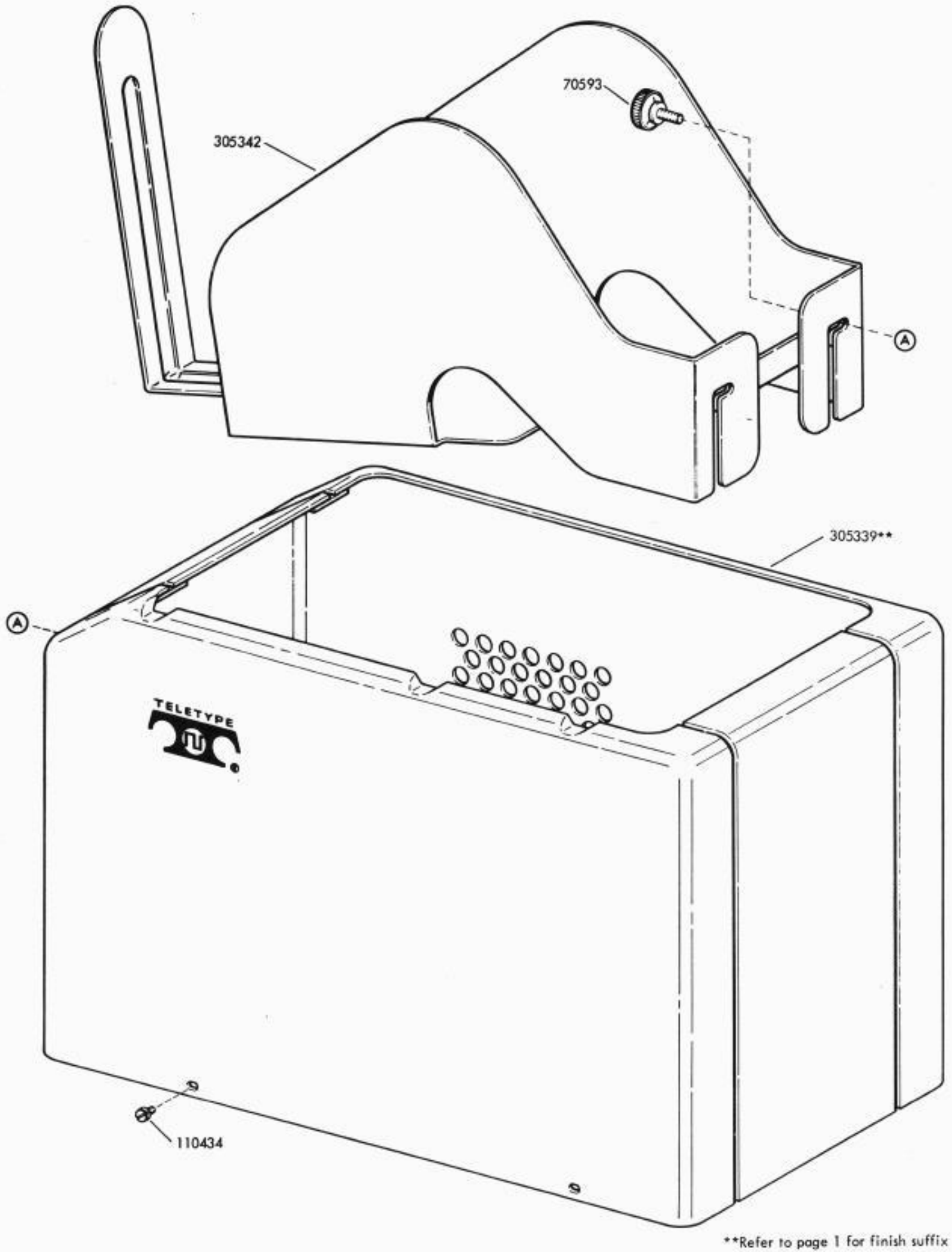
PARTS

FIGURE	CONTENTS	PAGE	FIGURE	CONTENTS	PAGE
1	Cover and Card Collector	2	10	Main Shaft Mechanism	11
2	Top Plate	3	11	Rear Plate	12
3	Front Frame	4	12	Motor Start and Electrical Components	13
4	Front Plate	5	13	Rear Frame	14
5	Front Plate (Continued)	6	14	Motor and Support Frames	15
6	Contact Assemblies	7	15	Pan, Support Frames and Connectors	16
7	Center Plate	8	16	310172** Modification Kit to Attach Edge-Punch Card Reader to an ASR Set	17
8	Clutch Trip Magnet Mechanism	9		Numerical Index	18
9	197077 Contact Box Assembly	10			

PAINT FINISH COLOR CODE CHART (For parts and assemblies requiring a paint finish)									
COLOR	Finish Suffix				COLOR	Finish Suffix			
	Wrinkle Finish	Smooth Finish	Textured Vinyl	Smooth Vinyl		Wrinkle Finish	Smooth Finish	Textured Vinyl	Smooth Vinyl
Aluminum		FA			Gray, Dark Metallic		BW		
Aqua, Light				HK	Gray, Federal		BV	GG	
Beige		ET			Gray, Light		EJ		HB
Beige, Light		EL		HC	Gray, Light Olive		EW	GE	HF
Beige, Rose		ER			Gray, Maritime Engine		BY		
Black	AA		GK		Gray, Maritime Deck	AJ	BJ		
Black, High Gloss		BA			Gray, Medium		BS		
Black, Semi Gloss		BB			Gray, Oxford		EP		
Blue, Aqua		EK			Green, Gray	AB	BK	GA	
Blue, Brussels Light		EC			Green, Moss		EN		HD
Blue, Medium		ES			Ivory		EM		HJ
Brown, Dark	AD				Pink, Rose		EU		
Brown, Light	AC			HG	Red, Cherry		EF		
Brown, Mahogany		EQ			Turquoise		EV		
Fawn			GC	HA	White		EH		
Gray, Beige			GF		Yellow, Pastel		EG		
Gray, Charcoal	AL	BZ	GB	HE					
Gray, Dark									
Gray, Dark Covert		FC							

The double asterisk (\*\*) denotes a painted part. Suffix to be applied following the part number.

\*Trademark of Teletype Corporation.



\*\*Refer to page 1 for finish suffix

FIGURE 1. COVER AND CARD COLLECTOR

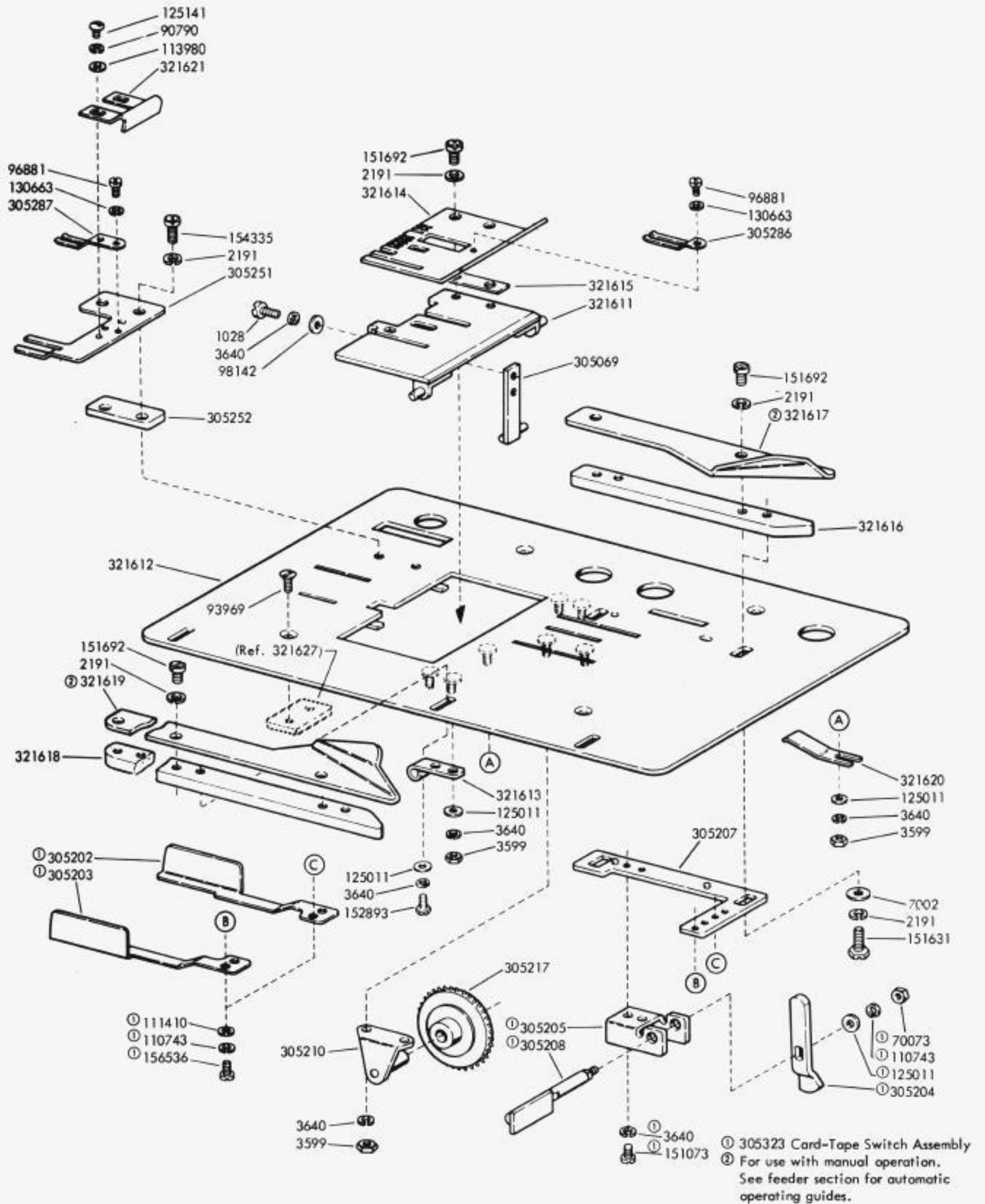


FIGURE 2. TOP PLATE

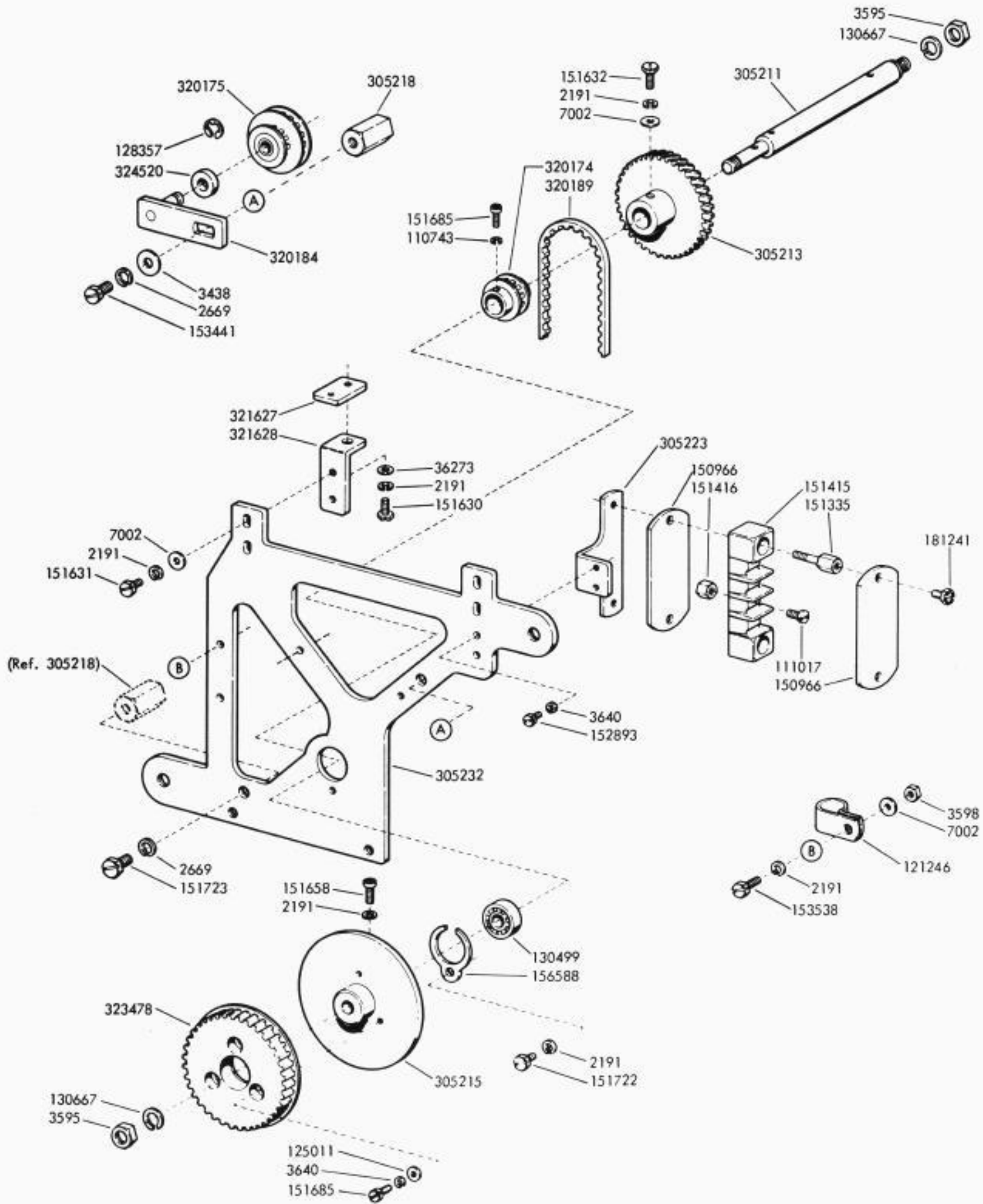


FIGURE 3. FRONT FRAME

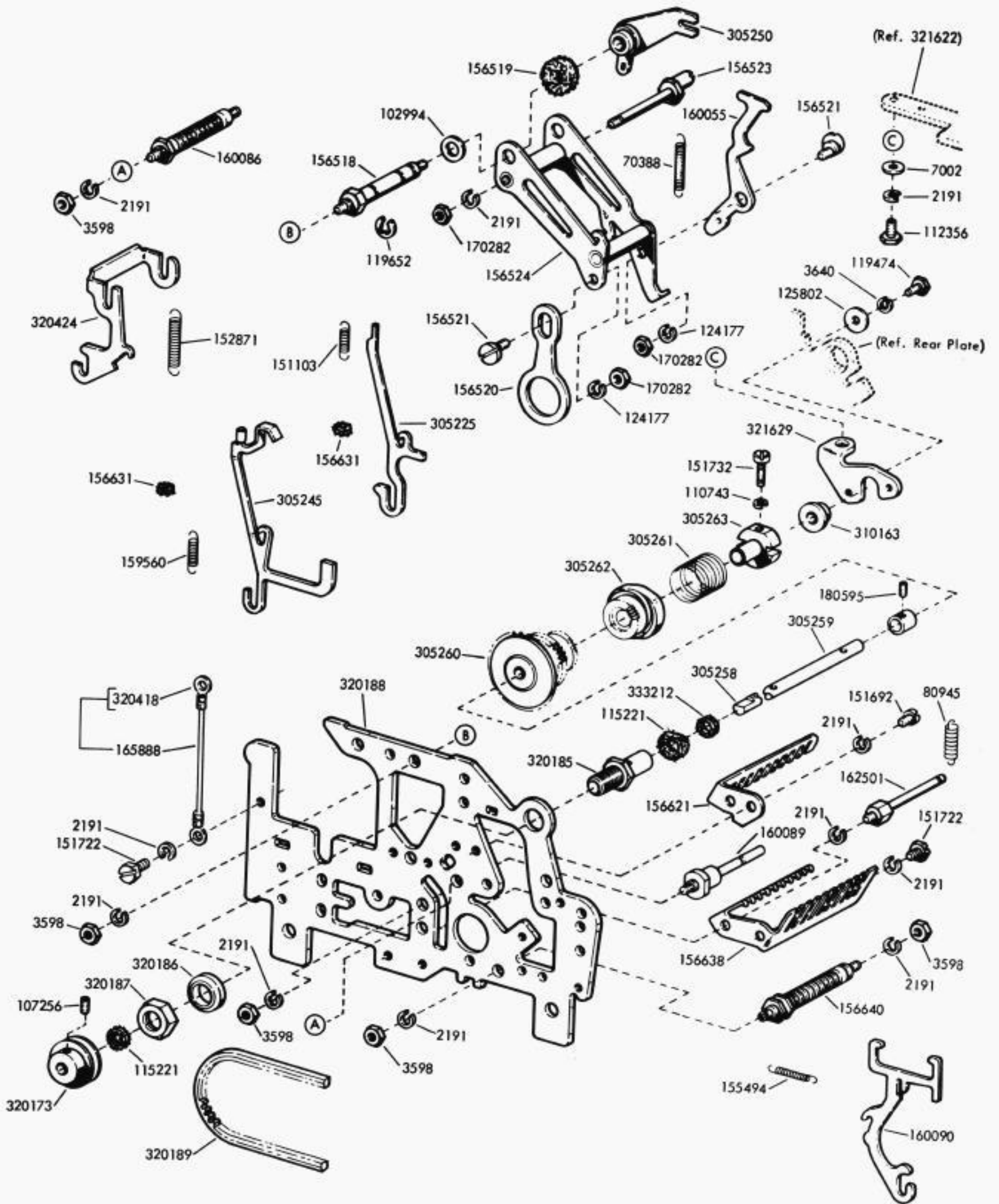


FIGURE 4. FRONT PLATE

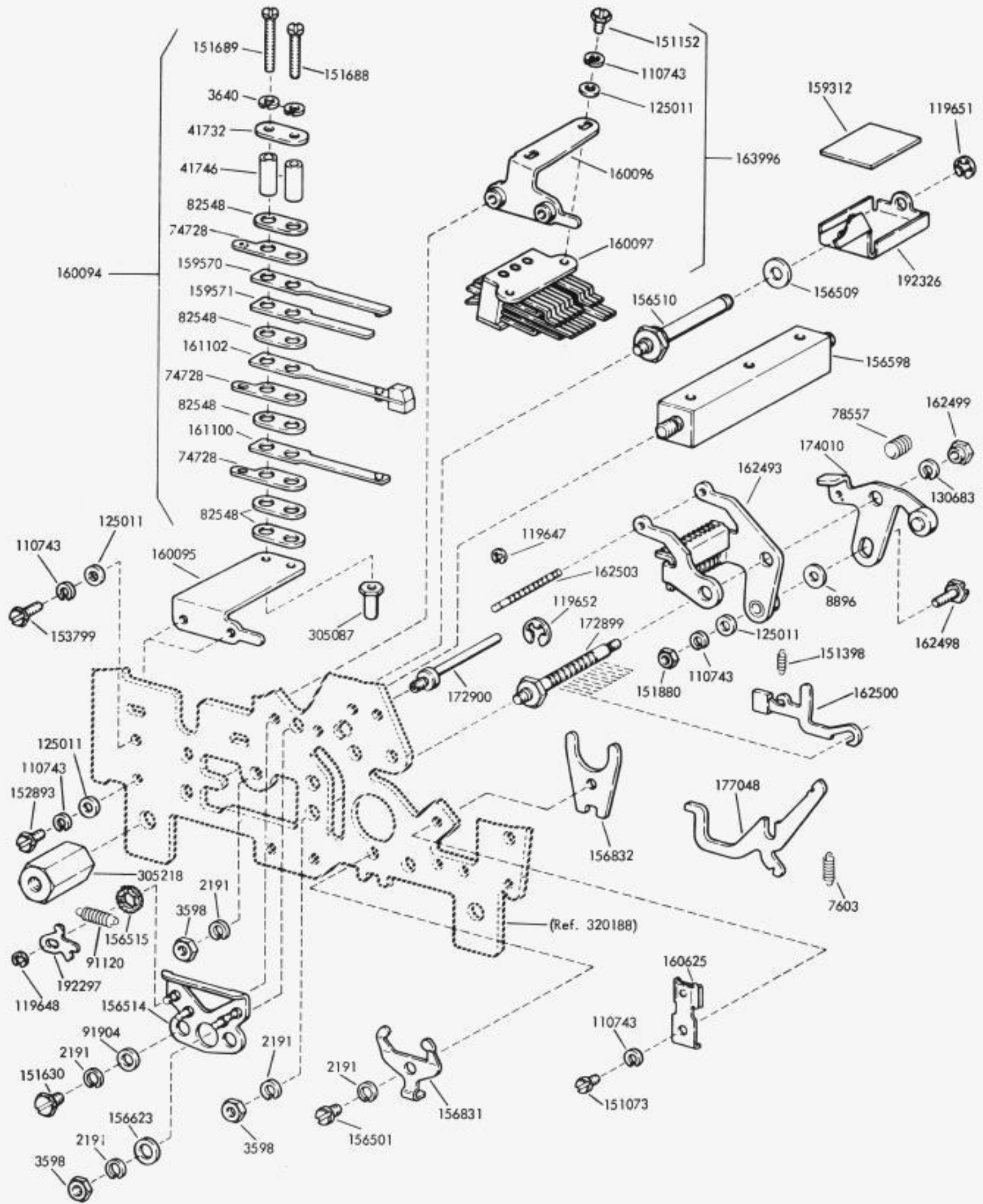


FIGURE 5. FRONT PLATE (Continued)

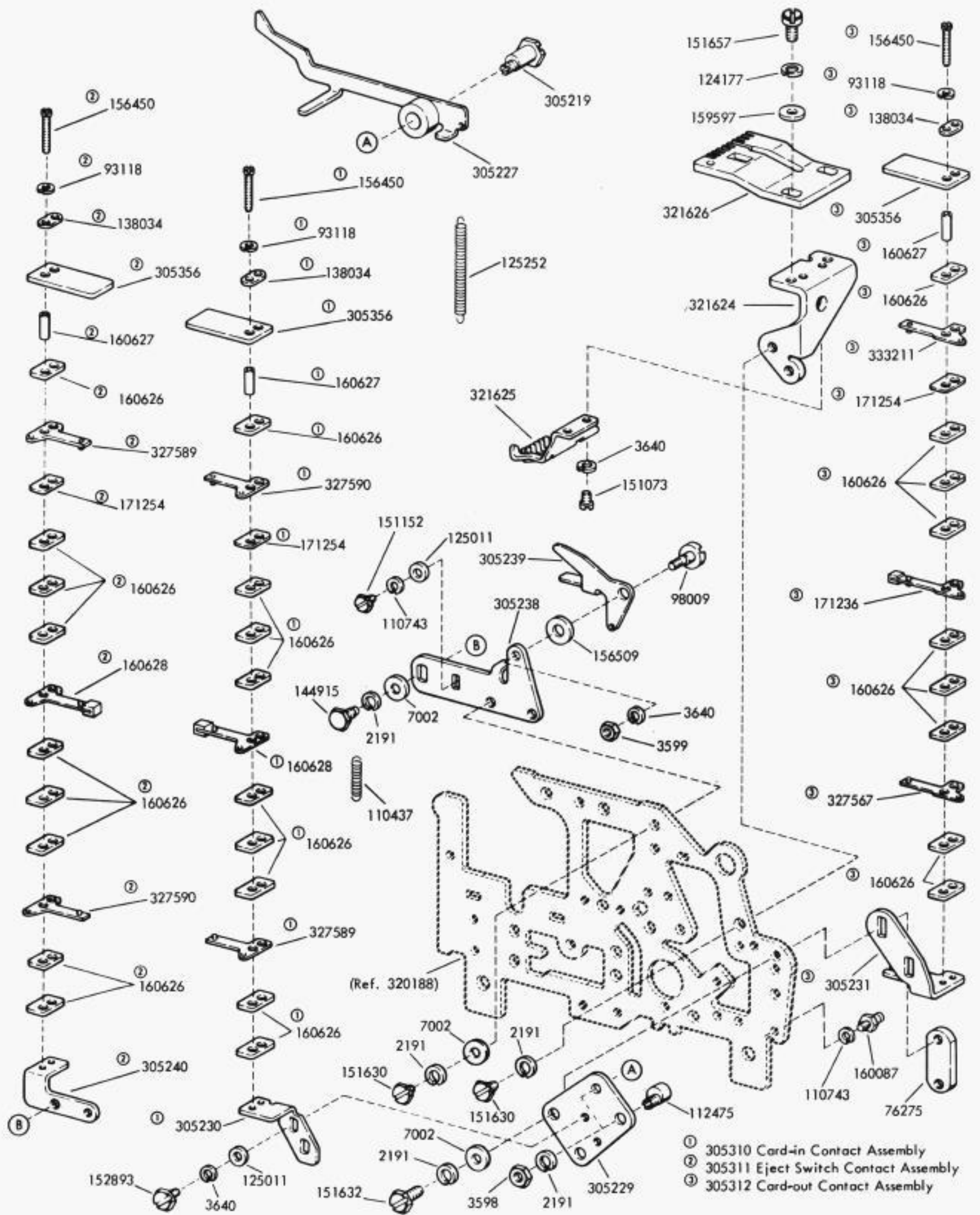


FIGURE 6. CONTACT ASSEMBLIES

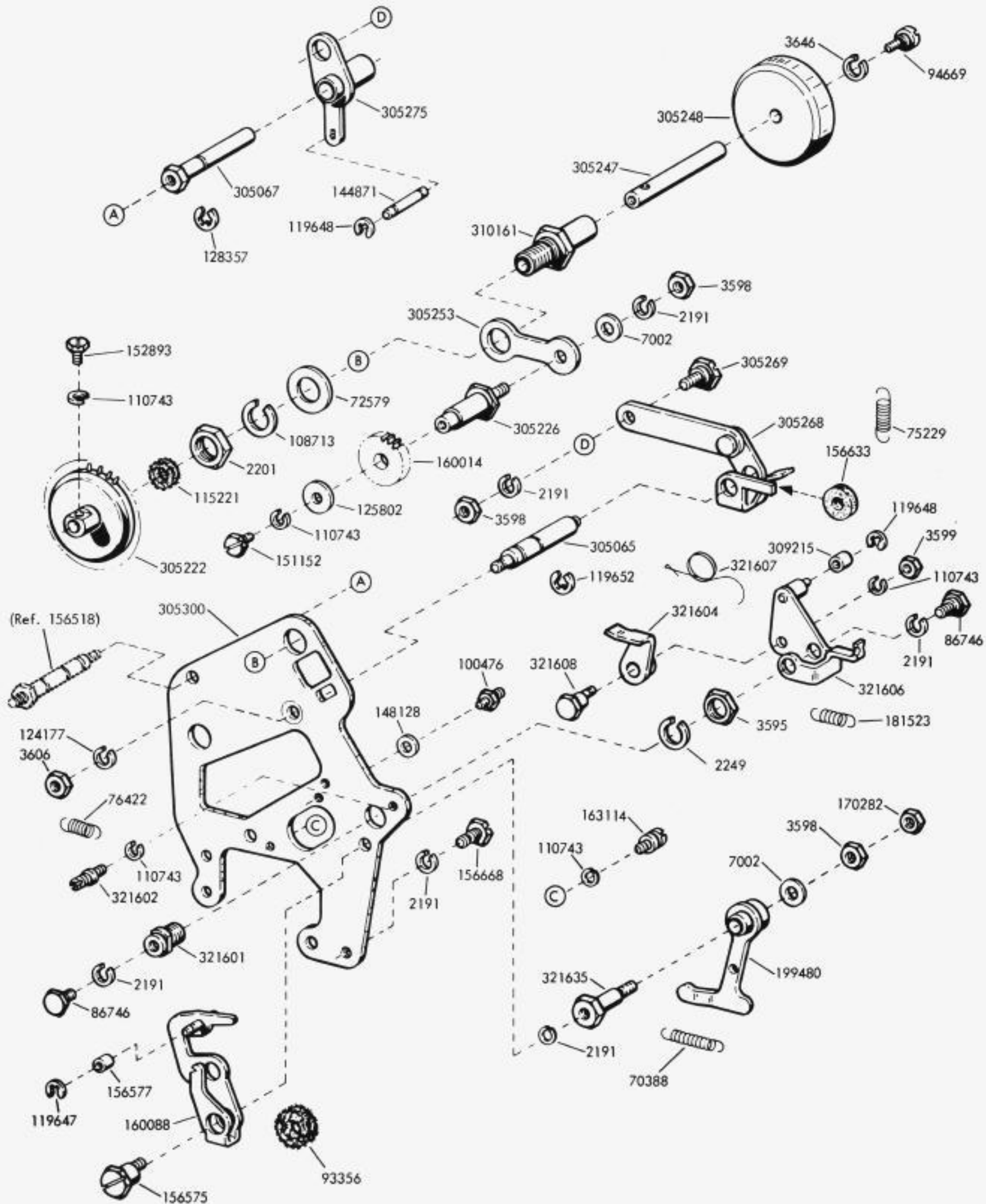


FIGURE 7. CENTER PLATE



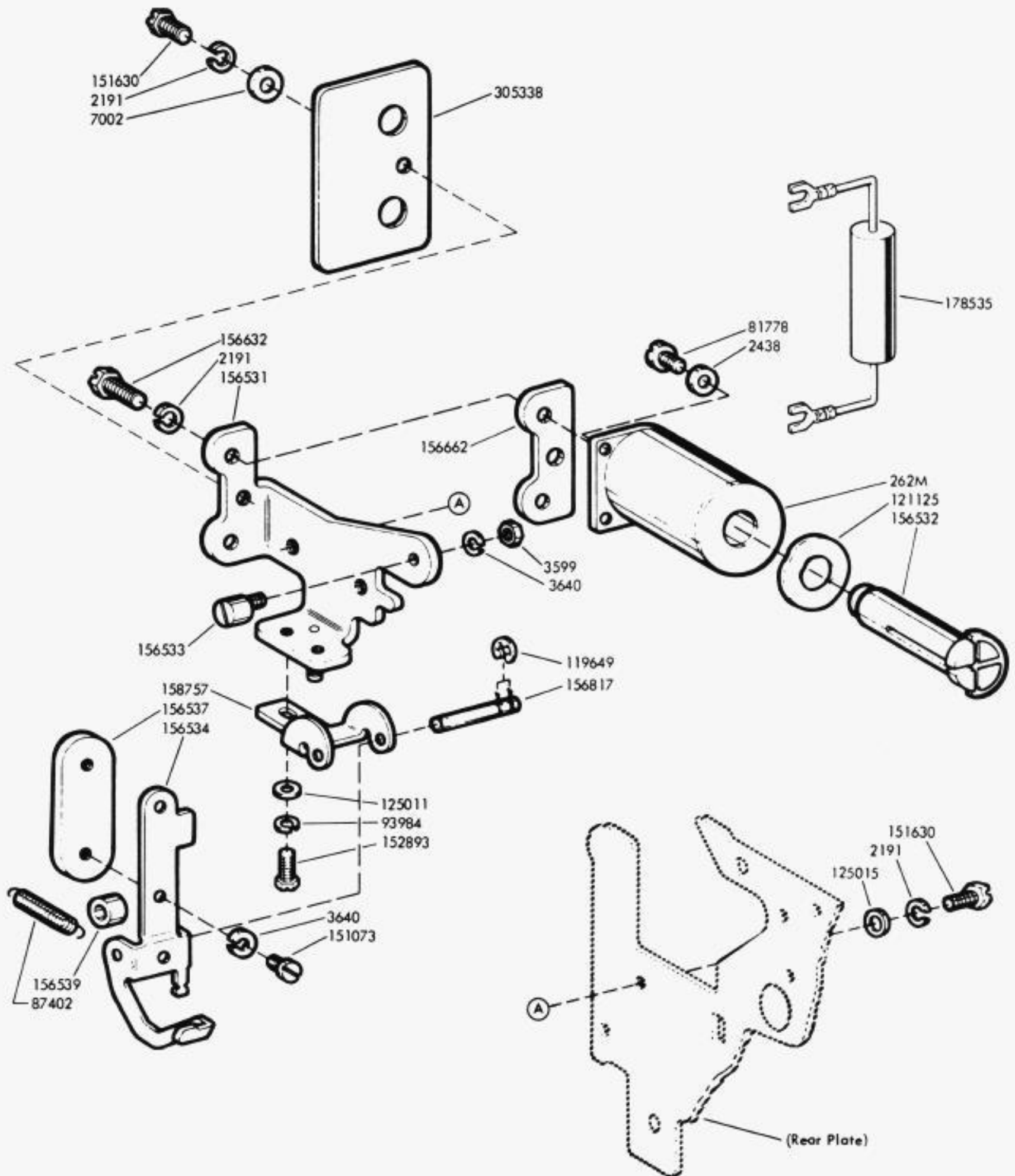


FIGURE 8. CLUTCH TRIP MAGNET MECHANISM

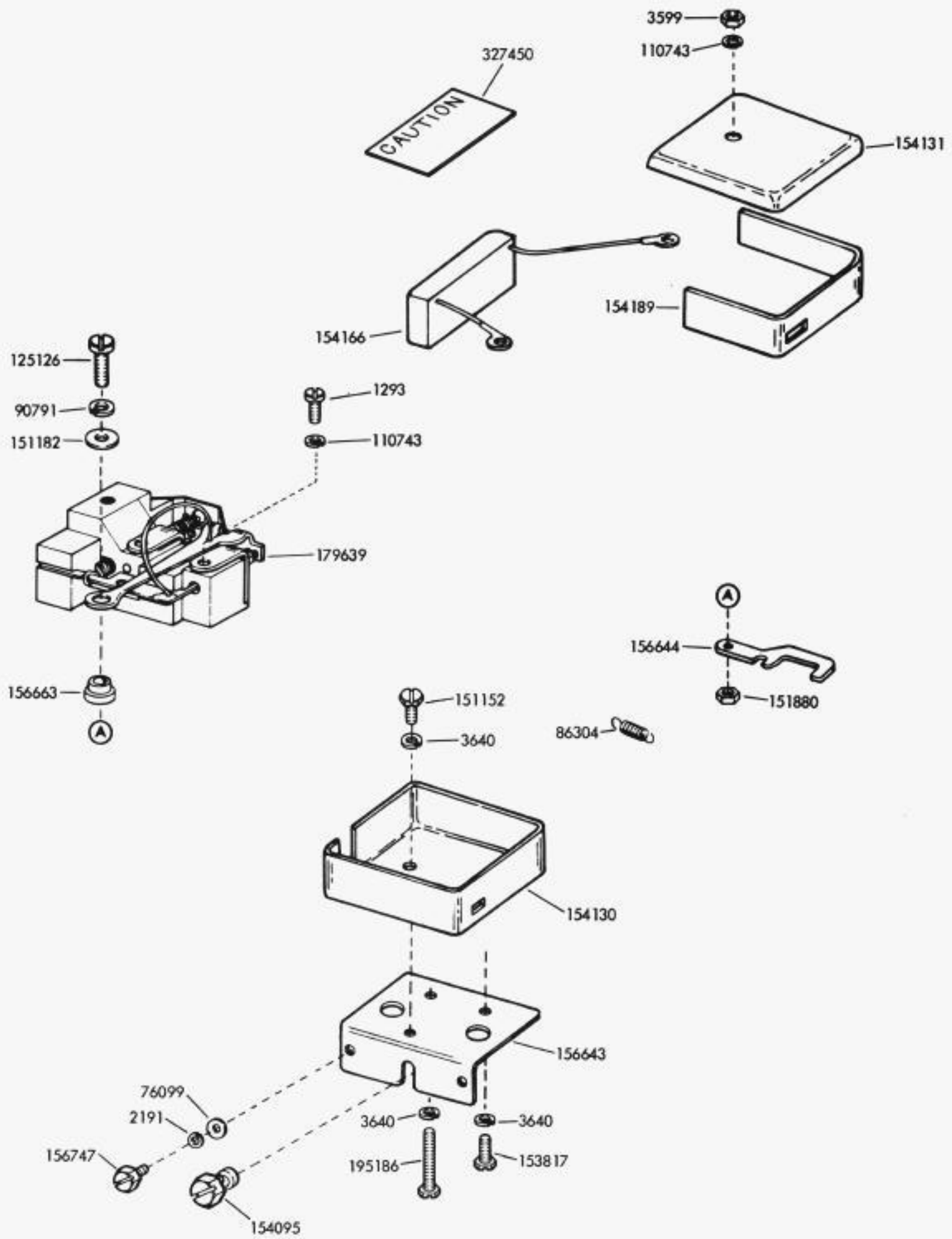


FIGURE 9. 197077 CONTACT BOX ASSEMBLY

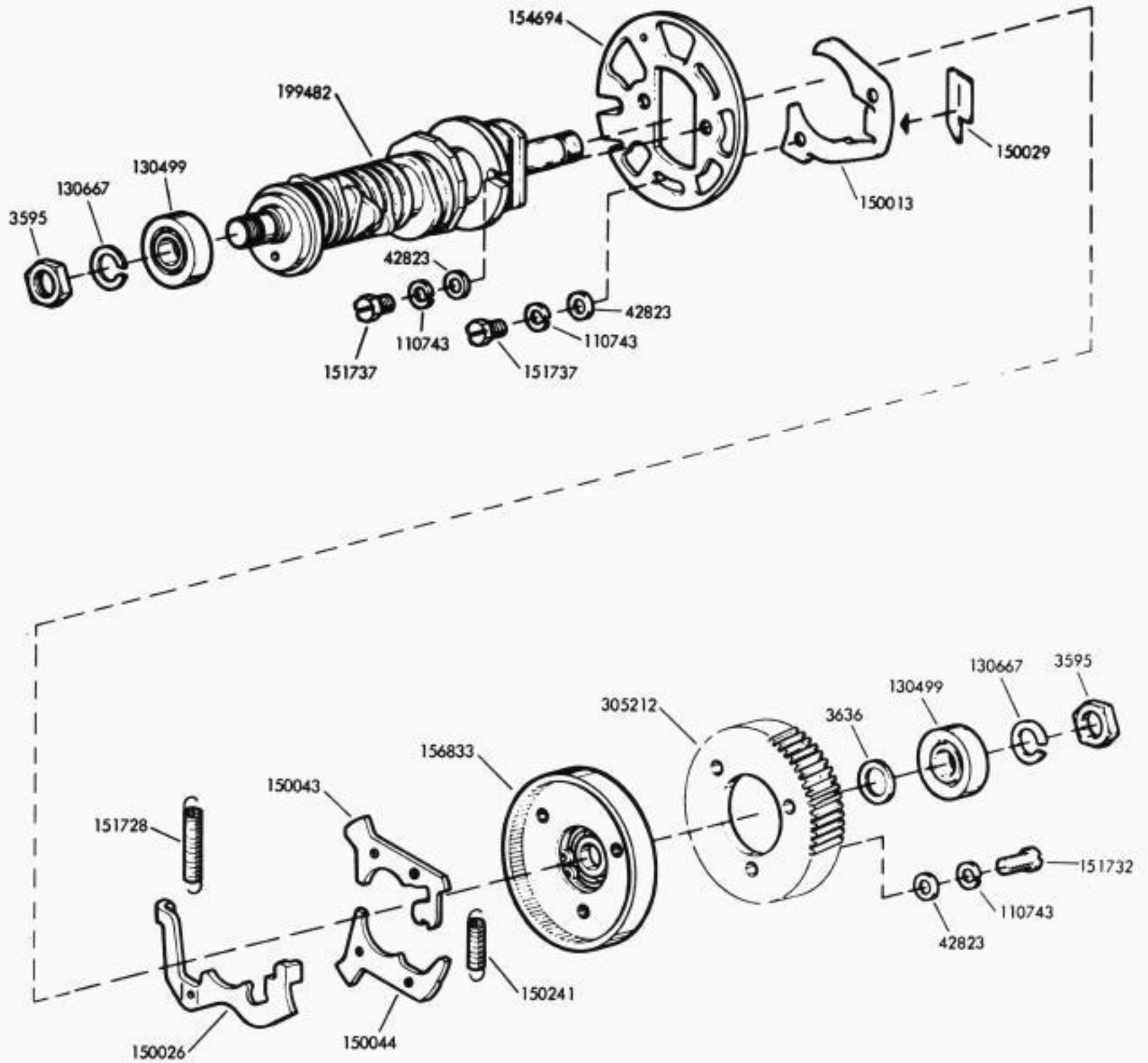


FIGURE 10. MAIN SHAFT MECHANISM

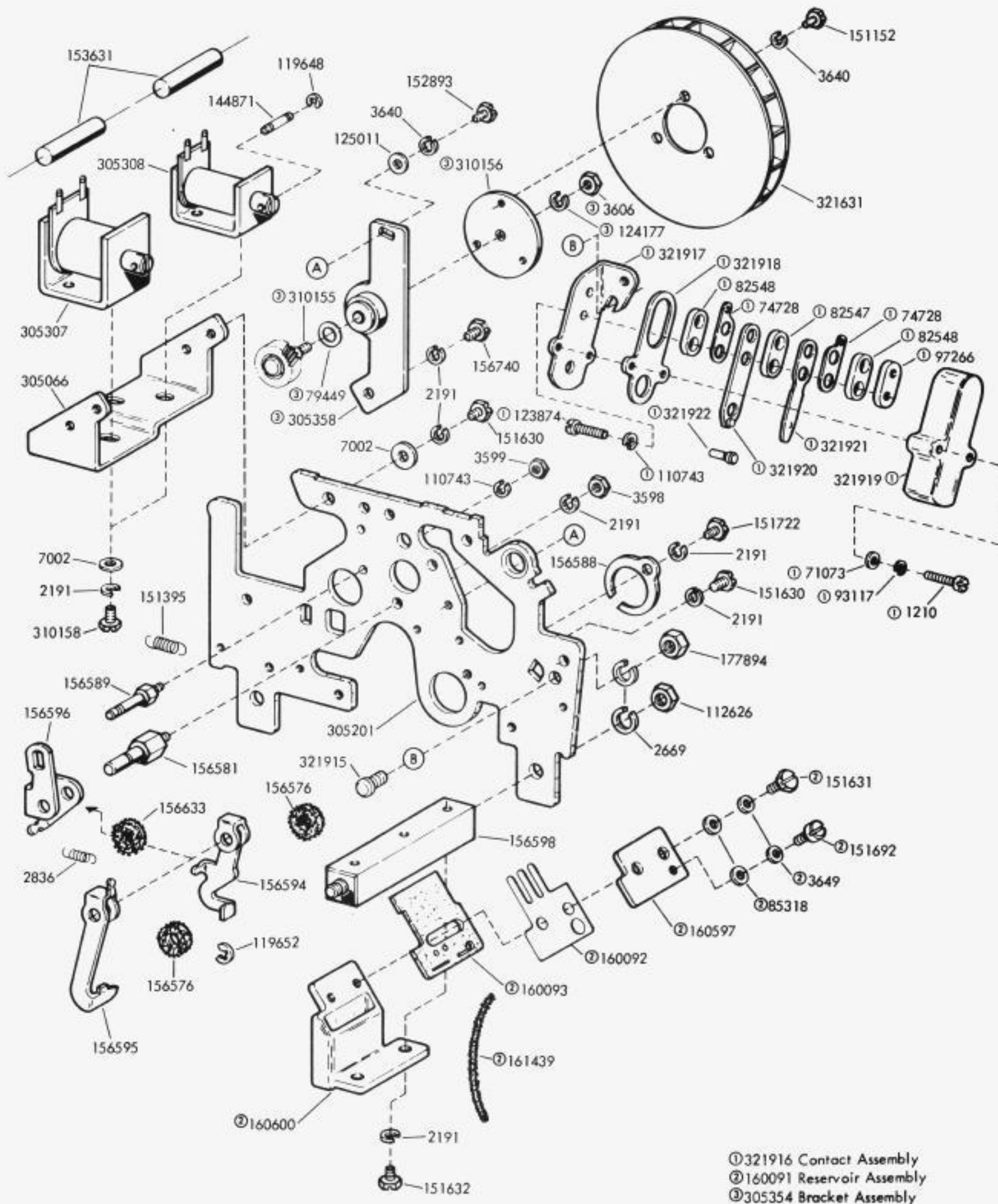


FIGURE 11. REAR PLATE

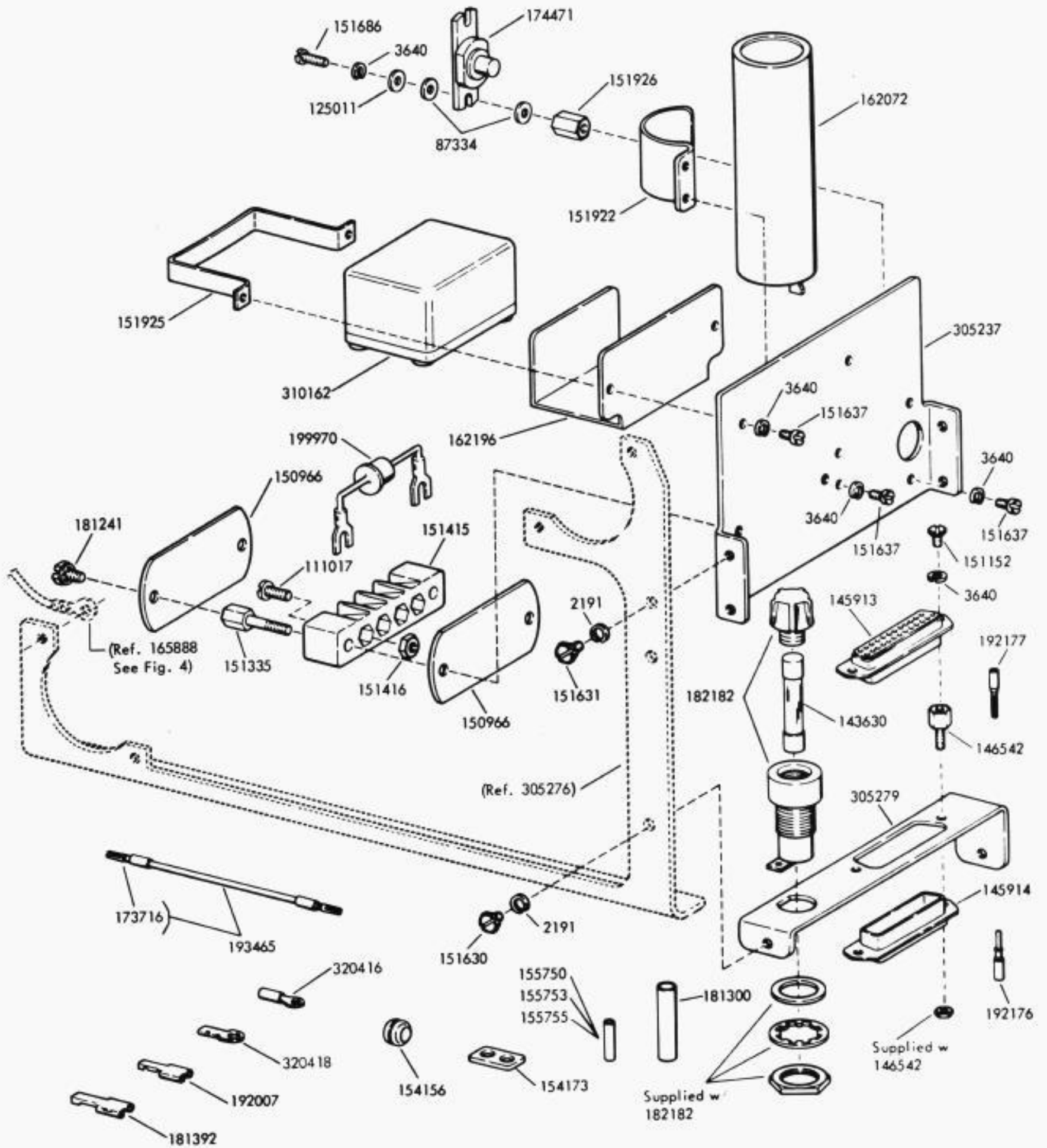


FIGURE 12. MOTOR START AND ELECTRICAL COMPONENTS

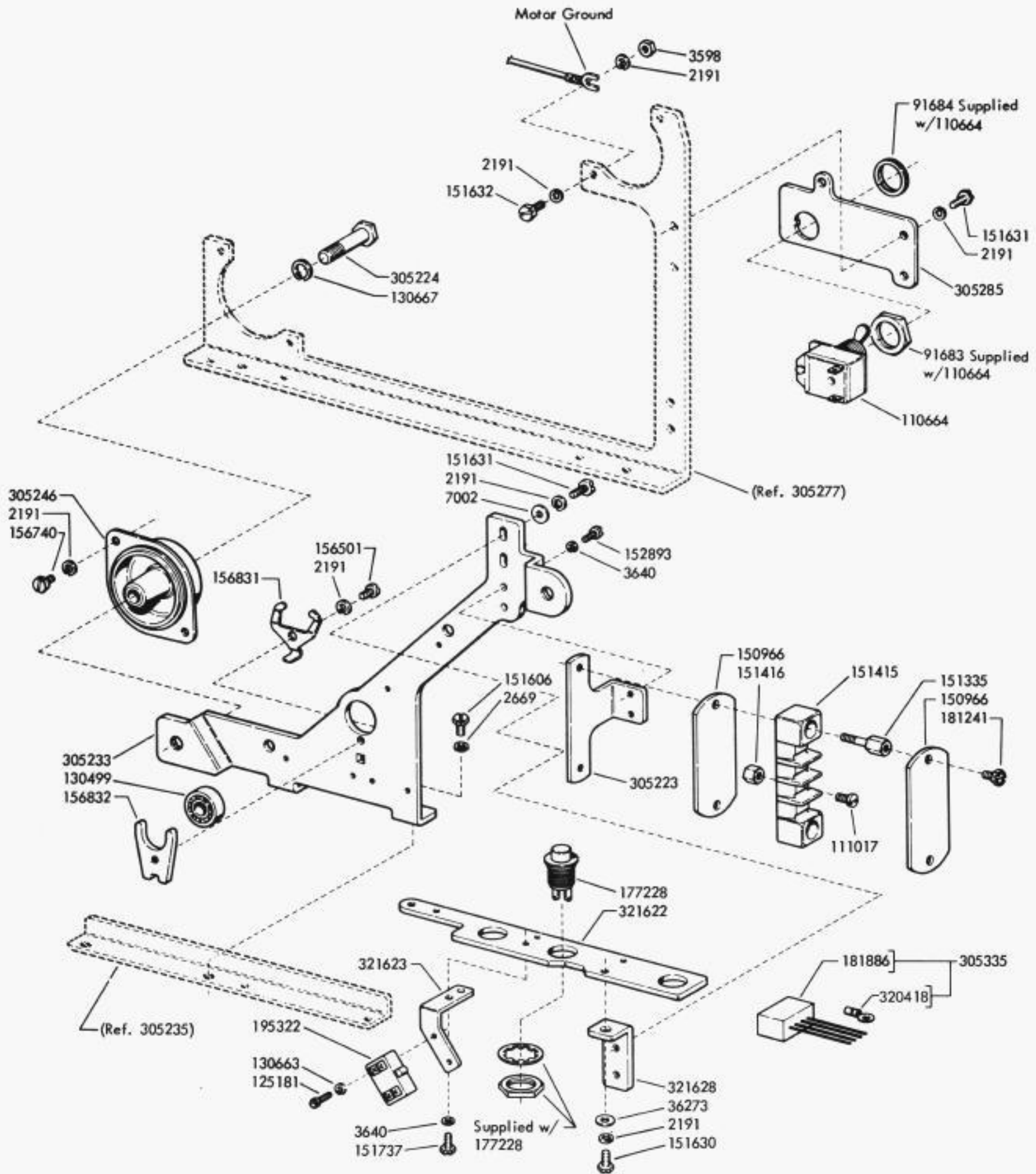


FIGURE 13. REAR FRAME

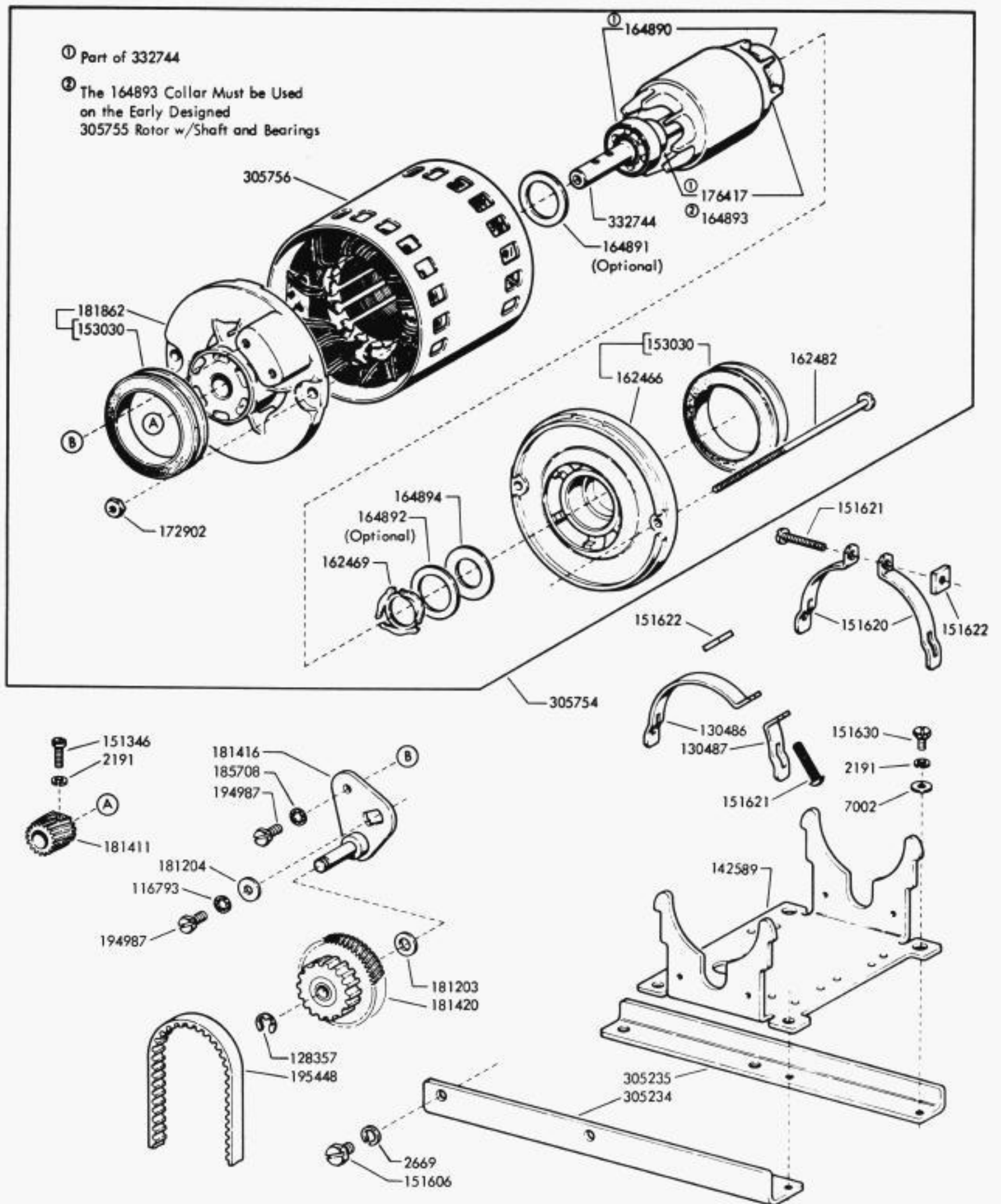


FIGURE 14. MOTOR AND SUPPORT FRAMES

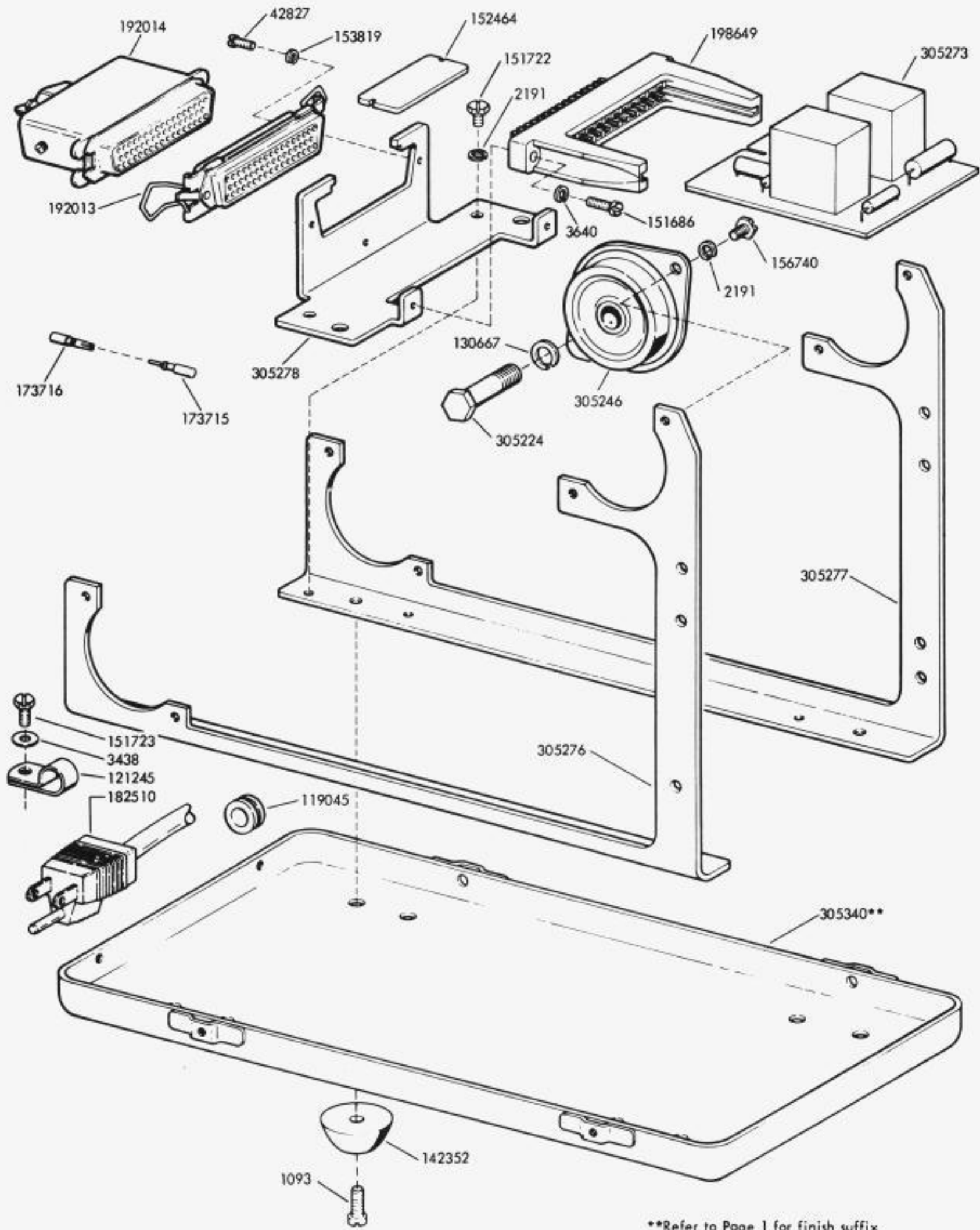


FIGURE 15. PAN, SUPPORT FRAMES AND CONNECTORS



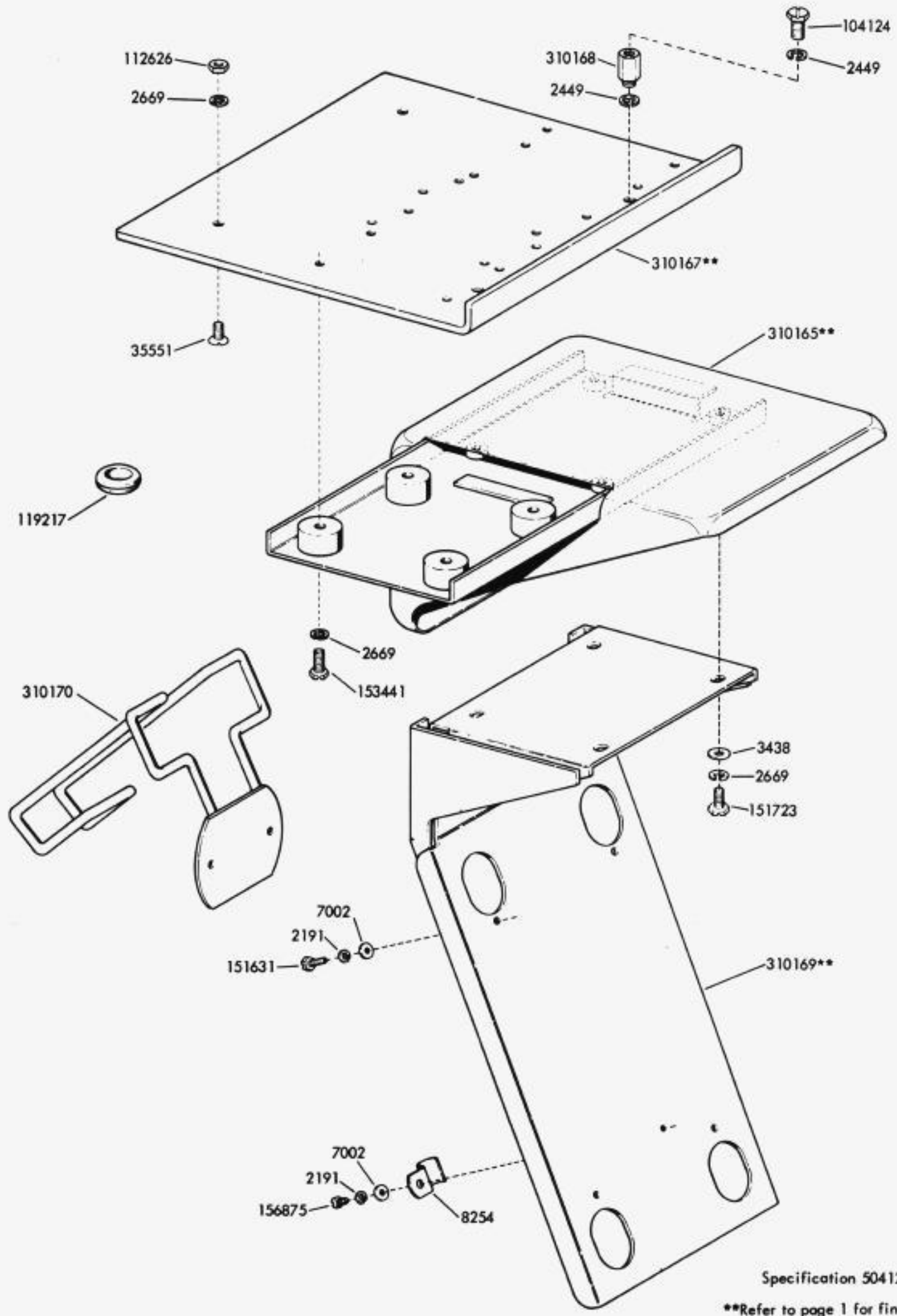


FIGURE 16. 310172\*\* MODIFICATION KIT TO ATTACH EDGE-PUNCH CARD READER TO AN ASR SET

## NUMERICAL INDEX

Part Number	Description and Page Number	Part Number	Description and Page Number	Part Number	Description and Page Number
262M	Coil, Magnet 9	97266	Plate, Clamp 12	151103	Spring 5
1028	Screw, 4-40 x 1/4 Fil 3	98009	Screw, 4-40 Eccentric Shoulder 7	151152	Screw, 4-40 x 3/16 Hex 6,7,8,10,12,13
1093	Screw, 8-32 x 7/16 Fil 16	98142	Washer, Flat 3	151182	Washer, Insulating 10
1210	Screw, 2-56 x 5/8 Fil 12	100476	Post, Spring 8	151335	Stud 4,13,14
1293	Screw, 4-40 x 1/8 Fil 10	102994	Washer, Flat 5	151346	Screw, 6-40 x 3/8 Fil 15
2191	Washer, Lock 3 to 10, 12 to 17	104124	Screw, 1/4-32 x 11/32 Hex 17	151395	Spring 12
2201	Nut, 5/16-32 Hex 8	107256	Screw, 4-40 Set 5	151398	Spring 6
2438	Washer, Flat 9	108713	Washer, Lock 8	151415	Block, Terminal 4,13,14
2449	Washer, Lock 8,17	110434	Screw, 4-40 x 3/16 Fil 2	151416	Nut, 6-40 Hex 4,13,14
2669	Washer, Lock 4,12,14,15,17	110437	Spring 7	151606	Screw, 10-32 x 1/4 Hex 14,15
2836	Spring 12	110664	Switch, SP-ST Toggle 14	151620	Strap, Motor Mounting 15
3438	Washer, Flat 4,16,17	110743	Washer, Lock 3,4,5,6,7,8,10,11,12	151621	Screw, 6-32 x 3/4 Rd 15
3595	Nut, 1/4-32 Hex 4,8,11	111017	Screw, 6-40 x 5/16 Fil 4,13,14	151622	Nut, 6-32 Sq 15
3598	Nut, 6-40 Hex 4,5,6,7,8,12,14	111410	Washer, Flat 3	151630	Screw, 6-40 x 1/4 Hex 4,6,7,9,12,13,14,15
3599	Nut, 4-40 Hex 3,7,8,9,10,12	112356	Screw, 6-40 x 7/32 Hex 5	151631	Screw, 6-40 x 5/16 Hex 3,4,12,13,14,17
3606	Nut, 6-40 Hex 8,12	112475	Screw, 6-40 Eccentric 7	151632	Screw, 6-40 x 3/8 Hex 4,7,12,14
3636	Washer, Flat 11	112626	Nut, 10-32 Hex 12,17	151637	Screw, 4-40 x 1/4 Fil 13
3640	Washer, Lock 3,4,5,6,7,9,10,12,13,14,16	113980	Washer, Flat 3	151657	Screw, 6-40 x 1/4 Fil 7
3646	Washer, Lock 8	115221	Washer, Felt 5,8	151658	Screw, 6-40 x 5/16 Fil 4
3649	Washer, Flat 12	116793	Washer, Lock 15	151685	Screw, 4-40 x 5/16 Fil 4
7002	Washer, Flat 3,4,5,7,8,9,12,14,15,17	119045	Grommet, Rubber 16	151686	Screw, 4-40 x 3/8 Fil 13,16
7603	Spring 6	119217	Grommet, Rubber 17	151688	Screw, 4-40 x 5/8 Fil 6
8254	Clamp, Cable 17	119474	Screw, 4-40 Spl 5	151689	Screw, 4-40 x 3/4 Fil 6
8896	Shim, .004" Thk 6	119647	Ring, Retaining 6,8	151692	Screw, 4-40 x 3/16 Fil 3,5,12
35551	Screw, 10-32 x 3/8 Flat 17	119648	Ring, Retaining 6,8,12	151722	Screw, 6-40 x 3/16 Hex 4,5,12,16
36273	Washer, Flat 4,14	119649	Ring, Retaining 9	151723	Screw, 10-32 x 3/8 Hex 4,16,17
41732	Plate, Clamp 6	119651	Ring, Retaining 6	151728	Spring 11
41746	Bushing, Insulating 6	119652	Ring, Retaining 5,6,8,12	151732	Screw, 4-40 x 11/32 Fil 5,11
42823	Washer, Flat 11	121125	Washer, Spring 9	151737	Screw, 4-40 x 11/64 Hex 11,14
42827	Screw, 3-48 x 1/4 Fil 16	121245	Clamp, 5/16 ID Cable 16	151880	Nut, 4-40 Hex 6,10
70073	Nut, 3-48 Hex 3	121246	Clamp, 3/8 ID Cable 4	151922	Clamp 13
70388	Spring 5,8	123874	Screw, 4-40 x 15/32 Fil 12	151925	Clamp 13
70593	Screw, 6-40 Thumb 2	124177	Washer, Lock 5,7,8,12	151926	Nut, 4-40 Spl 13
71073	Washer, Flat 12	125011	Washer, Flat 3,4,6,7,9,12,13	152464	Insulator, .062" Thk 16
72579	Washer, Flat 8	125015	Washer, Flat 9	152871	Spring 5
74728	Terminal, Contact 6,12	125126	Screw, 2-56 x 9/32 Fil 10	152893	Screw, 4-40 x 1/4 Hex 3,4,6,7,8,9,12,14
75229	Spring 8	125141	Screw, 2-56 x 7/64 Fil 3	153030	Mount, Vibration 15
76099	Washer, Flat 10	125181	Screw, 2-56 x 3/8 Fil 14	153441	Screw, 10-32 x 7/16 Hex 4,17
76275	Plate, Nut 7	125252	Spring 7	153538	Screw, 6-40 x 7/16 Hex 4
76422	Spring 8	125802	Washer, Flat 5,8	153631	Network, Spark Suppression 12
78557	Spring 6	128357	Ring, Retaining 4,8,15	153799	Screw, 4-40 x 21/64 Hex 6
79449	Shim, .008" Thk 12	130486	Strap, Motor Mounting 15	153817	Screw, 4-40 x 3/8 Hex 10
80945	Spring 5	130487	Strap, Motor Mounting 15	153819	Washer, Lock 16
81778	Screw, 4-40 x 3/16 Fil 9	130499	Bearing, Ball 4,11,14	154095	Eccentric, Contact Box 10
82547	Insulator, .094" Thk 12	130663	Washer, Lock 3,14	154130	Box, Contact 10
82548	Insulator, .062" Thk 6,12	130667	Washer, Lock 4,11,14,16	154131	Cover, Contact 10
85318	Washer, Leather 12	130683	Washer, Lock 6	154156	Grommet, Rubber 13
86304	Spring 10	138034	Plate, Clamp 7	154166	Suppressor, Arc 10
86746	Screw, 6-40 Shoulder 8	142352	Foot, Mounting 16	154173	Plate 13
87334	Washer, Insulating 13	142589	Bracket, w/Cradle, Motor 15	154189	Insulator 10
87402	Spring 9	143630	Fuse, .75 Amp 13	154335	Screw, 6-40 x 9/32 Fil 3
90790	Washer, Flat 3	144871	Shaft, Solenoid Plunger 8,12	154694	Disk, Clutch Cam 11
90791	Washer, Lock 10	144915	Post, Spring 7	155494	Spring 5
91120	Spring 6	145913	Connector, 25 Pt Receptacle Type 13	155750	Sleeve, 3/32 ID x 1/2 Lg Insulating 13
91683	Nut, 15/32-32 Hex 14	145914	Connector, 25 Pt Plug Type 13	155753	Sleeve, 1/8 ID x 1/2 Lg Insulating 13
91684	Nut, 15/32-32 Ring 14	146542	Post Assembly 13	155755	Sleeve, 11/64 ID x 5/8 Lg Insulating 13
91904	Washer, Flat 6	148128	Washer, Flat 8	156450	Screw, 2-56 x 1/2 Fil 7
93117	Washer, Lock 12	150013	Disk, Adjusting 11	156501	Screw, 6-40 x 7/32 Fil 6,14
93118	Washer, Lock 7	150026	Lever, Shoe Release 11		
93356	Washer, Felt 8	150029	Wick, Felt 11		
93969	Screw, 4-40 x 3/16 Flat 3	150043	Shoe, Secondary Clutch 11		
93984	Washer, Lock 9	150044	Shoe, Primary Clutch 11		
94669	Screw, 4-40 Shoulder 8	150241	Spring 11		
96881	Screw, 2-56 x 5/64 Fil 3	150966	Insulator, Terminal Block 4,13,14		
		151073	Screw, 4-40 x 5/32 Fil 3,6,7,9		

## NUMERICAL INDEX (Continued)

Part Number	Description and Page Number	Part Number	Description and Page Number	Part Number	Description and Page Number
156509	Washer, Flat 6,7	160097	Contact Assembly 6	192177	Terminal, Receptacle Type 13
156510	Post 6	160597	Plate 12	192297	Latch 6
156514	Plate w/Studs 6	160600	Reservoir, Oil 12	192326	Bail 6
156515	Washer, Felt 6	160625	Clip w/Wick 6	193465	Jumper, 3/4" Black 13
156518	Post 5,8	160626	Insulator, .031" Thk 7	194987	Screw, 8-32 x 3/8 Hex 15
156519	Washer, Felt 5	160627	Bushing, Insulating 7	195186	Screw, 4-40 x 7/8 Hex 10
156520	Arm 5	160628	Spring, Contact 7	195322	Switch 14
156521	Screw, 6-40 Eccentric Shoulder 5	161100	Spring, Contact 6	195448	Belt, 55T 15
156523	Stud, Eccentric 5	161102	Spring, Contact 6	197077	Box Assembly, Contact 1,10
156524	Bail 5	161439	Wick, Felt 12	198649	Connector, 15 Pt Circuit Card 16
156531	Bracket w/Post 9	162072	Capacitor, 88 to 108 MFD 13	199480	Follower, Cam 8
156532	Core 9	162196	Insulator 13	199482	Camshaft 11
156533	Screw, 4-40 Eccentric 9	162466	Shield, Rear End 15	199970	Diode w/Terminals 13
156534	Bail 9	162469	Washer, Spring 15	305065	Post 8
156536	Screw, 4-40 x 1/8 Fil 3	162482	Bolt, 6-32 x 3-1/2 Fil 15	305066	Bracket 12
156537	Aramture 9	162493	Bail 6	305067	Post 8
156539	Washer, Felt 9	162498	Screw, 4-40 Eccentric 6	305069	Extension w/Pin 3
156575	Screw, 6-40 Eccentric Shoulder 8	162499	Nut, 4-40 Shoulder 6	305087	Post 6
156576	Washer, Felt 12	162500	Arm, Sensing 6	305201	Plate, Rear 12
156577	Roller, Detent Lever 8	162501	Post, Spring 5	305202	Guide, Right 3
156581	Stud 12	162503	Shaft, Spring 6	305203	Guide, Left 3
156588	Ring, Retaining 4,12	163114	Post, Spring 8	305204	Lever 3
156589	Post, Spring 12	163996	Contact Assembly 6	305205	Bracket, Bearing 3
156594	Lever, Trip 12	164890	Bearing, Ball 15	305207	Bracket 3
156595	Lever, Latch 12	164891	Shim, .032" Thk 15	305208	Cam w/Shaft 3
156596	Bail 12	164892	Shim, .018" Thk 15	305210	Bracket w/Shaft 3
156598	Post 6,12	164893	Collar, Thrust 15	305211	Shaft 4
156621	Guide, Transfer Lever 5	164894	Shim, .018" Thk 15	305212	Gear, 60T 11
156623	Washer, Flat 6	165888	Jumper, 3-1/2" Black 5,13	305213	Gear, 60T 4
156631	Washer, Felt 5	170282	Nut, 6-40 Hex 5,8	305215	Plate w/Hub 4
156632	Screw, 6-40 x 13/32 Hex 9	171236	Spring, Contact 7	305217	Wheel, Feed 3
156633	Washer, Felt 8,12	171254	Insulator, .015" Thk 7	305218	Post 4,6
156638	Guide, Transfer Lever 5	172899	Post, Guide 6	305219	Screw, 6-40 Eccentric Shoulder 7
156640	Post 5	172900	Post, Stop 6	305222	Wheel, Feed 8
156643	Bracket 10	172902	Nut, 6-32 Hex 15	305223	Bracket 4,14
156644	Link, Drive 10	173715	Terminal, Plug Type 16	305224	Screw, 1/4-32 Spl 14,16
156662	Plate 9	173716	Terminal, Receptacle Type 13,16	305225	Pin, Sensing 5
156663	Bushing, Insulating 10	174010	Plate 6	305226	Stud 8
156668	Screw, 6-40 Spl 8	174471	Switch, Thermostatic 13	305227	Lever w/Hub 7
156740	Screw, 6-40 x 7/32 Hex 12,14,16	176417	Ring, Retaining 15	305229	Plate 7
156747	Screw, 6-40 x 19/64 Hex 10	177048	Latch 6	305230	Bracket 7
156817	Shaft 9	177228	Switch, Black Pushbutton 14	305231	Bracket, Contact 7
156831	Clamp 6,14	177894	Nut, 10-32 Spl 12	305232	Plate, Front 4
156832	Plate 6,14	178535	Suppressor, Spark 9	305233	Plate, Rear 14
156833	Drum Assembly, Clutch 11	179639	Contact Assembly 10	305234	Bar, Front 15
156875	Screw, 6-40 x 5/32 Fil 17	180595	Screw, 4-40 Set 5	305235	Bar, Rear 14,15
158757	Hinge, Mounting 9	181203	Washer, Flat 15	305237	Bracket 13
159312	Wick, Leather 6	181204	Washer, Flat 15	305238	Bracket, Switch Lever 7
159560	Spring 5	181241	Screw w/Lockwasher, 6-40 x 1/4 Hex 4,13,14	305239	Lever, Switch 7
159570	Spring, Contact 6	181300	Sleeve, 3/16 ID x 1 Lg	305240	Bracket, Contact 7
159571	Stiffener 6		Insulating 13	305245	Pin w/Sleeve 5
159597	Washer, Flat 7	181392	Terminal, Tab Type 13	305246	Mount, Vibration 14,16
160014	Gear, 17T 8	181411	Pinion, 18T 15	305247	Shaft 8
160055	Pawl 5	181416	Plate w/Stud 15	305248	Wheel, Hand 8
160086	Post, Guide 5	181420	Pulley w/54T Gear, 17T 15	305250	Lever w/Hub 5
160087	Post, Spring 7	181523	Spring 8	305251	Guide, Top 3
160088	Bail w/Stud 8	181862	Shield, Front End 15	305252	Guide, End 3
160089	Post, Stop 5	181886	Rectifier 14	305253	Lever, Adjusting 8
160090	Lever, Transfer 5	182182	Holder, Fuse 13	305258	Shaft 5
160091	Reservoir Assembly 12	182510	Cord, Power 16	305259	Hub 5
160092	Stiffener 12	185708	Screw, 8-32 x 3/8 Hex 15	305260	Wheel, Feed 5
160093	Wick, Leather 12	192007	Terminal, Tab Type 13	305261	Spring, Compression 5
160094	Contact Assembly, Auxiliary 6	192013	Connector, 50 Pt Plug Type 16	305262	Release, Clutch 5
160095	Bracket 6	192014	Connector, 50 Pt Receptacle Type 16	305263	Drum, Shaft 5
160096	Bracket w/Bushing 6	192176	Terminal, Plug Type 13	305268	Bail w/Link 8
				305269	Screw, 6-40 Eccentric Shoulder 8

## NUMERICAL INDEX (Continued)

Part Number	Description and Page Number	Part Number	Description and Page Number	Part Number	Description and Page Number
305273	Card, Circuit 16	310162	Relay 13	321617	Guide, Right Top 3
305275	Lever w/Hub 8	310163	Bushing 5	321618	Guide, Left 3
305276	Frame, Front Support 13,16	310165**	Bracket 17	321619	Guide, Left Top 3
305277	Frame, Rear Support 14,16	310167**	Plate, Mounting 17	321620	Spring, Lid 3
305278	Bracket, Connector 16	310168	Stud 17	321621	Stop, Card 3
305279	Bracket 13	310169**	Support, Reader 17	321622	Bracket, Switch 5,14
305285	Bracket, Switch 14	310170	Collector, Card 17	321623	Bracket, Switch 14
305286	Spring, Lid 3	310172**	Modification Kit 1,17	321624	Bracket, Guide 7
305287	Spring, Forward Guide 3	320173	Pulley 5	321625	Bracket, Spring 7
305300	Plate 8	320174	Pulley 4	321626	Plate, Guide 7
305307	Solenoid 12	320175	Pulley 4	321627	Plate, Nut 3,4
305308	Solenoid 12	320184	Bracket 4	321628	Bracket 4,14
305310	Contact Assembly 7	320185	Bushing 5	321629	Bracket 5
305311	Contact Assembly 7	320186	Washer, Nylon 5	321631	Fan 12
305312	Contact Assembly 7	320187	Nut, 5/16-32 Hex 5	321635	Stud 8
305323	Switch Assembly, Card-Tape 3	320188	Plate, Front 5,6,7	321915	Eccentric 12
305335	Rectifier Assembly 14	320189	Belt, 35T 4,5	321916	Contact Assembly 12
305338	Plate, Insulator 9	320416	Terminal, Ring Type 13	321917	Bracket 12
305339**	Cover 2	320418	Terminal, Ring Type 5,13,14	321918	Gasket 12
305340**	Pan, Base 16	320424	Bail 5	321919	Cover 12
305342	Collector, Card 2	321601	Post 8	321920	Spring, Contact 12
305354	Bracket Assembly 12	321602	Post, Spring 8	321921	Spring, Contact 12
305356	Insulator 7	321604	Detent w/Hub 8	321922	Plunger 12
305358	Bracket w/Bushing 12	321606	Follower, Cam 8	323478	Pulley, 34T 4
305754	Motor, 115V 50/60 Cycle 15	321607	Spring, Torsion 8	324520	Spacer, .120" Thk 4
305755	Rotor w/Shaft & Bearings 15	321608	Screw, 4-40 Eccentric 8	327450	Label 10
305756	Stator 15	321611	Lid 3	327567	Spring, Contact 7
309215	Roller, Detent 8	321612	Plate, Top 3	327589	Spring, Contact 7
310155	Gear, 20T 12	321613	Hinge 3	327590	Spring, Contact 7
310156	Plate, Mounting 12	321614	Lid, Top 3	332744	Rotor w/Shaft & Bearings 15
310158	Screw, 6-32 x 7/32 Hex 12	321615	Spacer, .020" Thk 3	333211	Spring, Contact 7
310161	Bushing 8	321616	Guide, Right 3	333212	Washer, Felt 5

\*\*Refer to page 1 for finish suffix