

35 "CARDATA"* REPERFORATOR BASE (LEPRB)
(Edge-Punched Card Reperforator Base)
PARTS

FIGURE	CONTENTS	PAGE
1	Base	2
2	Sub-Base	3
3	Sub-Base (Continued)	4
4	Distributor Frame	5
5	Distributor Clutch and Trip Shaft Mechanism	6
6	Motor Drive	7
7	181815 Selector Magnet Driver	8
8	321912 Modification Kit to Provide Line/Local Switch	9
	Numerical Index	10

*Trademark of Teletype Corporation

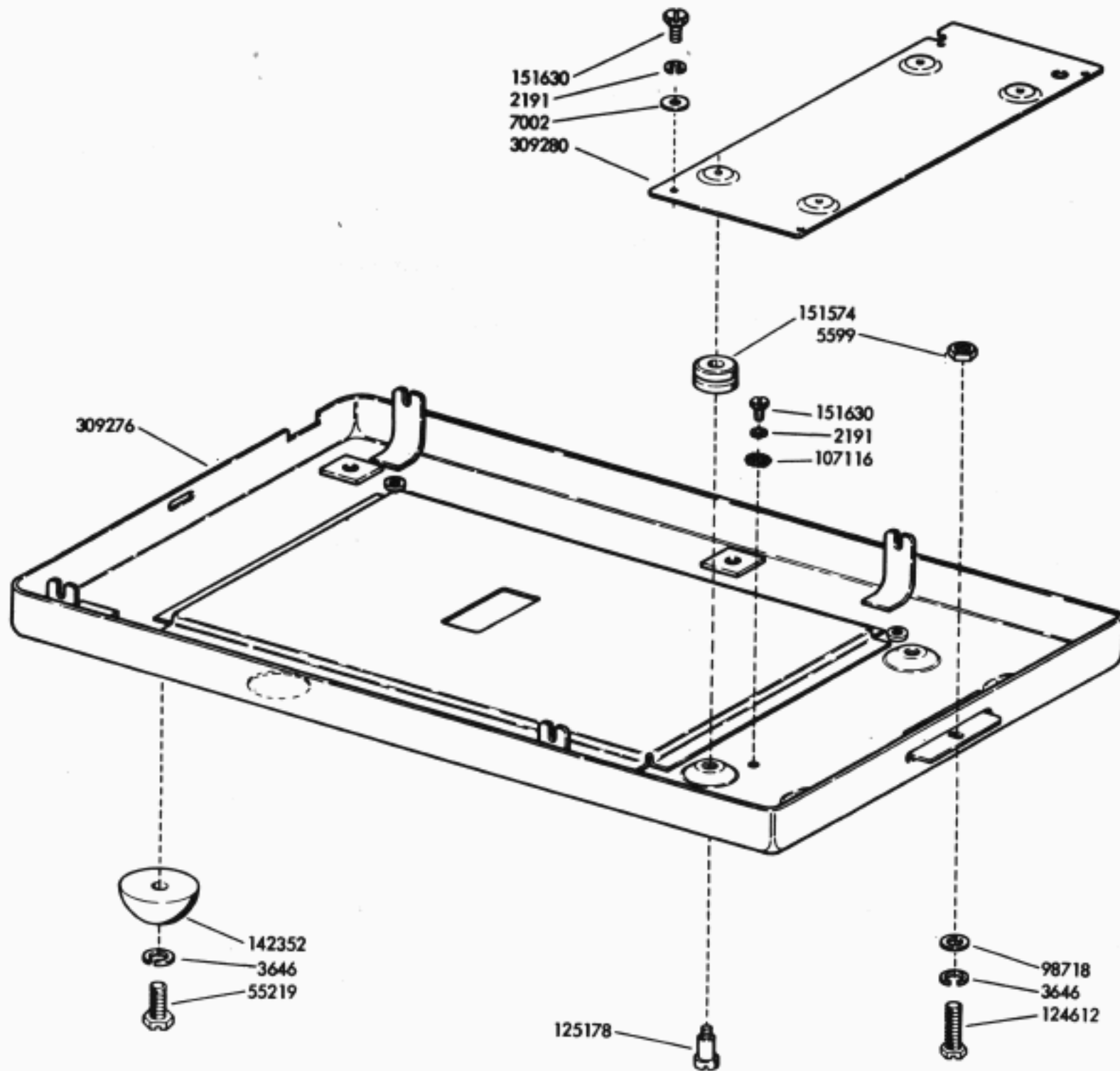


FIGURE 1. BASE

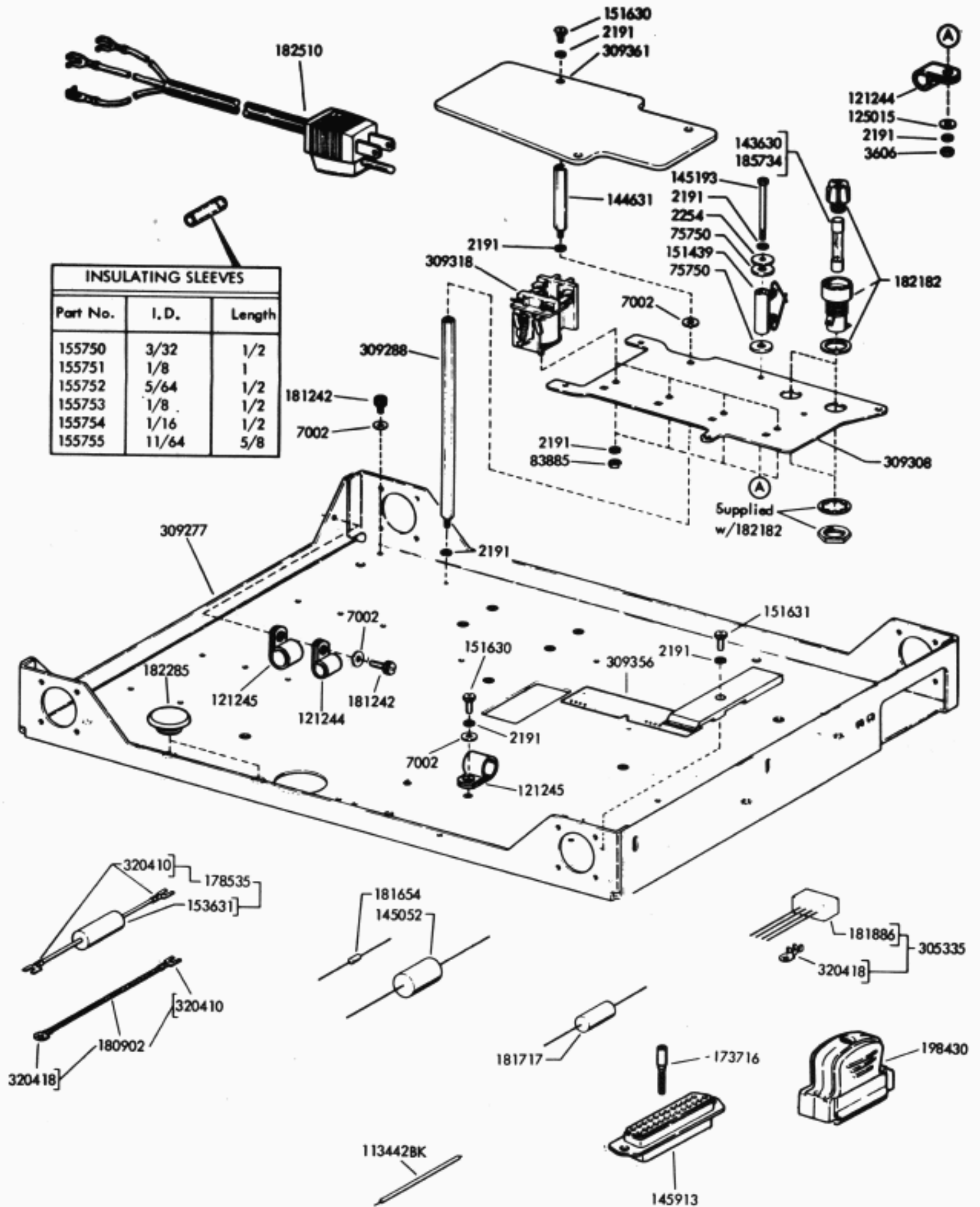


FIGURE 2. SUB-BASE

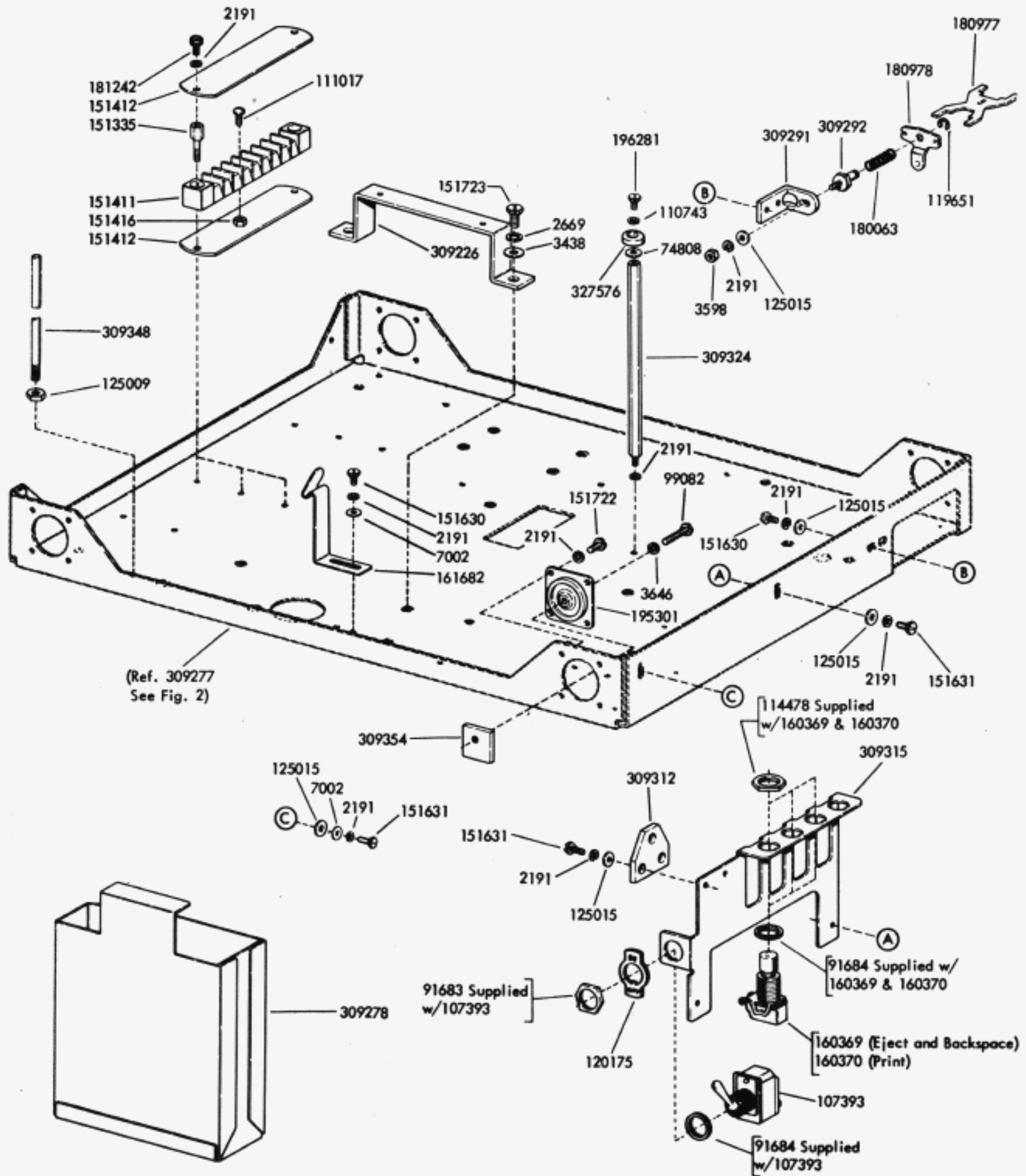


FIGURE 3. SUB-BASE (CONTINUED)

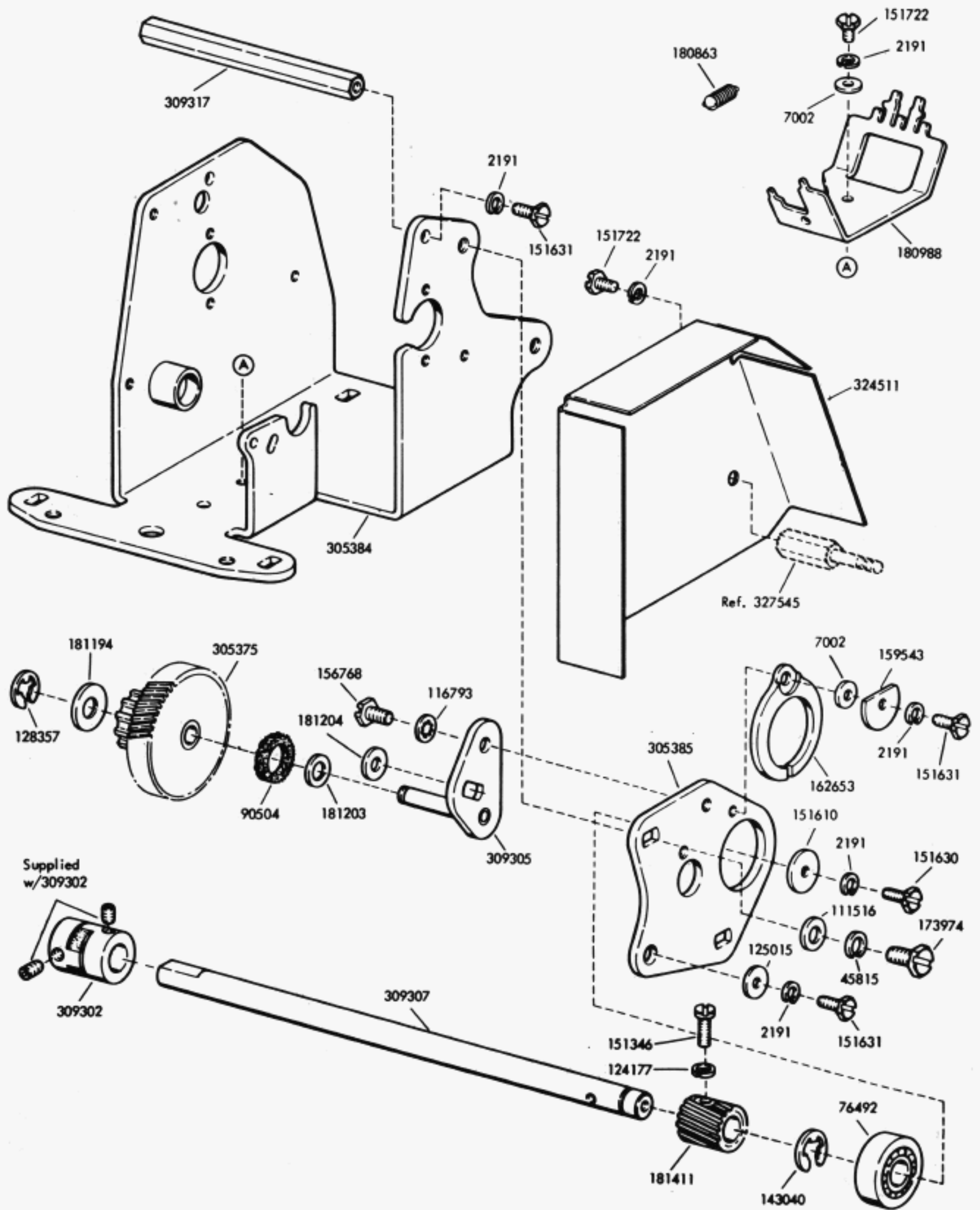


FIGURE 4. DISTRIBUTOR FRAME

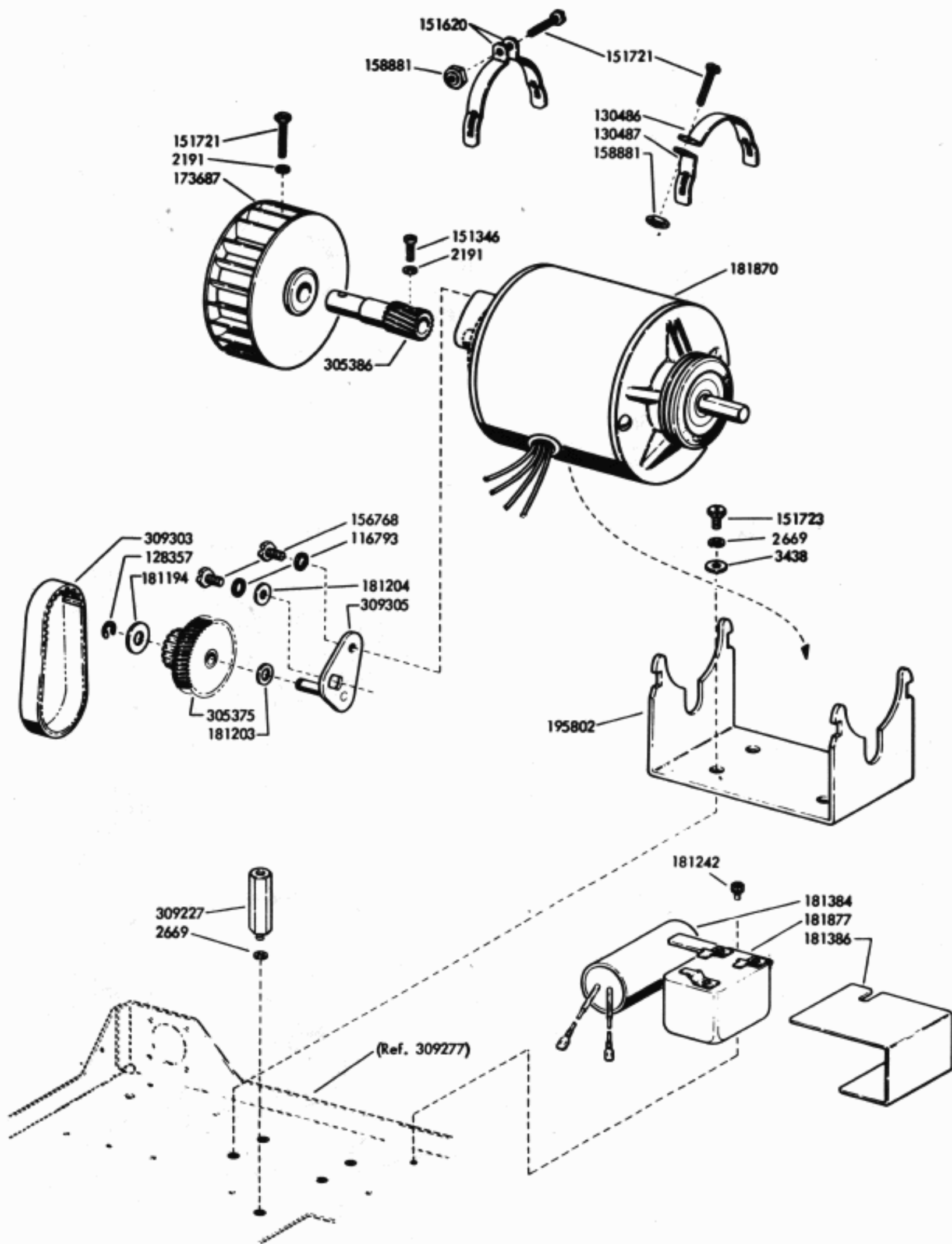


FIGURE 6. MOTOR DRIVE

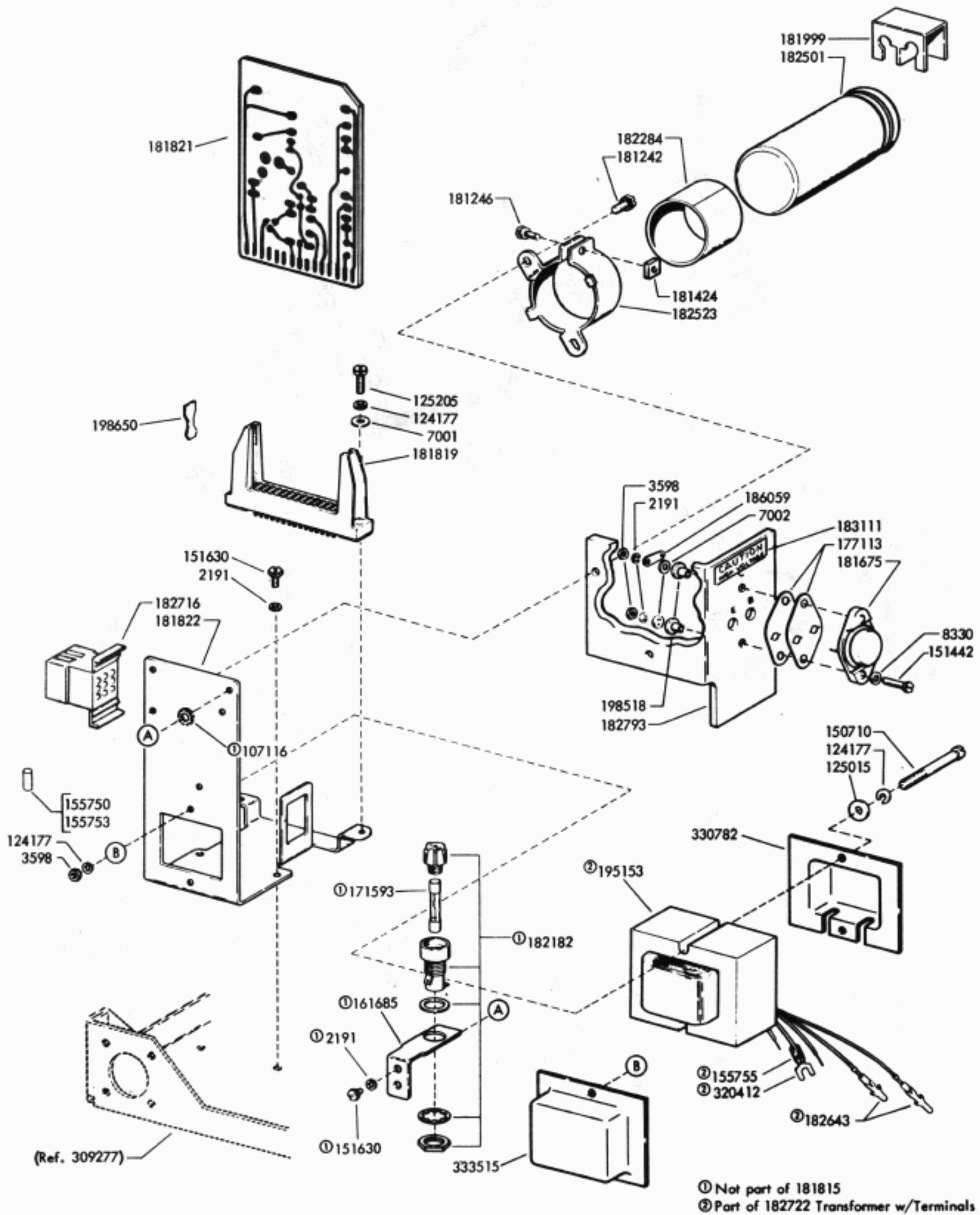


FIGURE 7. 181815 SELECTOR MAGNET DRIVER

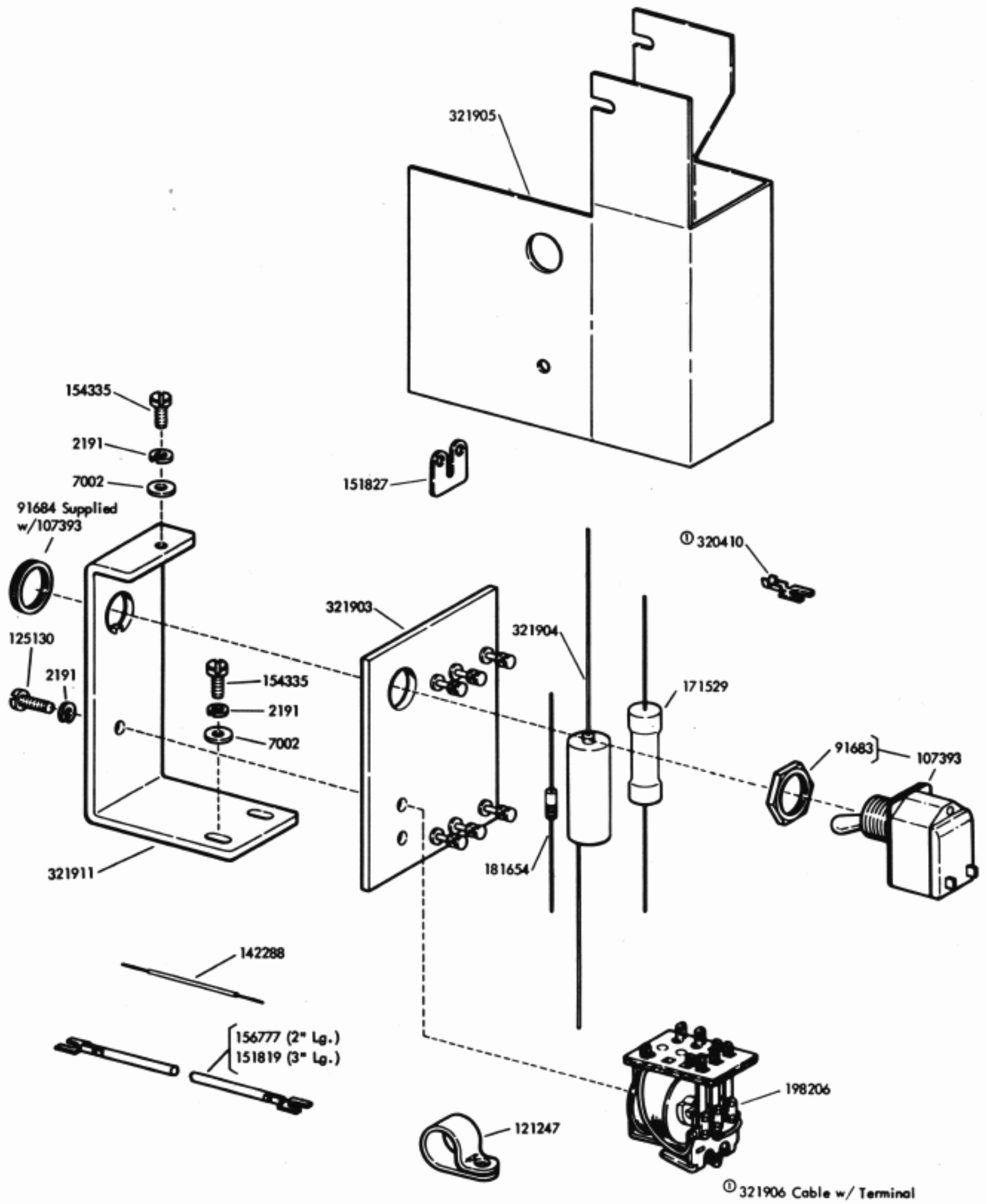


FIGURE 8. 321912 MODIFICATION KIT TO PROVIDE LINE/LOCAL SWITCH

NUMERICAL INDEX

Part Number	Description and Page Number	Part Number	Description and Page Number	Part Number	Description and Page Number
2191	Washer, Lock 2 to 9	150044	Shoe, Primary Clutch 6	180980	Holder, Brush 6
2254	Washer, Flat 3	150241	Spring 6	180981	Arm, Stop 6
2669	Washer, Lock 4,6,7	150710	Screw, 6-40 x 1-1/4 Fil 8	180982	Bail, Trip 6
3438	Washer, Flat 4,6,7	151036	Screw, 4-40 Shoulder 6	180983	Lever, Latch 6
3598	Nut, 6-40 Hex 4,6,8	151335	Stud 4	180985	Lever, Follower 6
3606	Nut, 6-40 Hex 3	151346	Screw, 6-40 x 3/8 Fil 5,7	180988	Bracket, Spring 5
3646	Washer, Lock 2,4	151411	Block, Terminal 4	180992	Spring, Torsion 6
5599	Nut, 8-32 Hex 2	151412	Insulator, Terminal Block 4	181194	Washer, Flat 5,7
7001	Washer, Flat 8	151416	Nut, 6-40 Hex 4	181203	Washer, Flat 5,7
7002	Washer, Flat 2 to 6,8,9	151442	Screw, 6-40 x 1/2 Hex 8	181204	Washer, Flat 5,7
8330	Washer, Flat 8	151439	Resistor, 250 Ohm 3	181242	Screw w/Lockwasher, 6-40 x 5/16 Hex 3,4,6,7,8
31636	Spring 6	151574	Grommet, Rubber 2	181246	Screw w/Lockwasher, 6-40 x 5/8 Hex 8
45815	Washer, Lock 5	151610	Washer, Flat 5	181384	Capacitor, 88-108 MFD 7
55219	Screw, 8-32 x 3/8 Fil 2	151620	Strap, Motor Mounting 7	181386	Insulator 7
73427	Washer, Flat 6	151630	Screw, 6-40 x 1/4 Hex 2 to 6,8	181411	Pinion, 18T 5
74808	Spacer 4	151631	Screw, 6-40 x 5/16 Hex 3,4,5	181413	Drum, Clutch 6
75750	Washer, Insulating 3	151640	Lever, Shoe Release 6	181424	Nut, 6-40 Sq 8
76422	Spring 6	151657	Screw, 6-40 x 1/4 Fil 6	181654	Diode 3,9
76492	Bearing, Ball 5	151721	Screw, 6-40 x 3/4 Hex 7	181675	Transistor, Power 8
82567	Screw, 6-40 Shoulder 6	151722	Screw, 6-40 x 3/16 Hex 4,5	181717	Resistor, 8 Ohm 3
83885	Nut, 6-32 Hex 3	151723	Screw, 10-32 x 3/8 Hex 4,6,7	181815	Driver Assembly, Selector Magnet 1,8
88752	Washer, Felt 6	151728	Spring 6	181819	Connector, 15 Pt Circuit Card 8
90504	Washer, Felt 5	151733	Screw, 4-40 x 9/16 Fil 6	181821	Card, Circuit 8
91683	Nut, 15/32-32 Hex 4,9	151819	Jumper, 3" Black 9	181822	Bracket 8
91684	Nut, 15/32-32 Ring 4,9	151827	Strap, Terminal 9	181870	Motor, 115V AC Synchronous 7
91904	Washer, Flat 6	152893	Screw, 4-40 x 1/4 Hex 6	181877	Relay w/Bracket 7
95472	Spacer 6	153631	Network, Spark Suppression 3	181886	Rectifier 3
98718	Washer, Flat 2	154335	Screw, 6-40 x 9/32 Fil 9	181999	Insulator 8
99082	Screw, 8-32 x 11/16 Hex 4	155750	Sleeve, 3/32 ID x 1/2" Lg Insulating 3,8	182182	Holder, Fuse 3,8
107116	Washer, Lock 2,8	155751	Sleeve, 1/8 ID x 1" Lg Insulating 3	182232	Roller 6
107393	Switch, SP-ST Toggle 4,9	155752	Sleeve, 5/64 ID x 1/2" Lg Insulating 3	182284	Insulator, .032" Thk 8
110743	Washer, Lock 4,6	155753	Sleeve, 1/8 ID x 1/2" Lg Insulating 3,8	182285	Bumper, Rubber 3
111017	Screw, 6-40 x 5/16 Fil 4	155754	Sleeve, 1/16 ID x 1/2" Lg Insulating 3	182501	Capacitor, 1,500 MFD 8
111516	Washer, Flat 5	155755	Sleeve, 11/64 ID x 5/8" Lg Insulating 3,8	182510	Card, Power 3
113442BK	Jumper, 2-1/2" Black 3	156768	Screw, 8-32 x 9/32 Hex 5,7	182523	Clamp, 1-3/8" ID Mounting 8
114478	Nut, 15/32-32 Hex 4	156777	Jumper, 2" Black 9	182539	Connector, 15 Pt Receptacle Type 6
116793	Washer, Lock 5,7	158881	Nut, 6-40 Shoulder 7	182643	Terminal, Plug Type 6,8
119648	Ring, Retaining 6	159543	Washer, Flat 5	182644	Terminal, Receptacle Type 6
119649	Ring, Retaining 6	160369	Switch, NO Pushbutton 4	182645	Connector, 9 Pt Receptacle Type 6
119651	Ring, Retaining 4	160370	Switch, NC Pushbutton 4	182649	Connector, 6 Pt Receptacle Type 6
119652	Ring, Retaining 6	161682	Clip, Cover 4	182650	Connector, 6 Pt Plug Type 6
119653	Ring, Retaining 6	161685	Bracket 8	182716	Connector, 9 Pt Plug Type 8
120175	Plate, On-Off 4	162653	Retainer 5	182722	Transformer w/Terminals 8
121244	Clamp, 1/4" ID Cable 3	170282	Nut, 6-40 Hex 6	182793	Plate, Heat Sink 8
121245	Clamp, 5/16" ID Cable 3	171529	Resistor, 5,000 Ohm 9	183111	Label 8
121247	Clamp, 7/16" ID Cable 9	171593	Fuse, SL-BL .5 Amp 8	185627	Disk 6
124177	Washer, Lock 5,8	173687	Fan 7	185734	Fuse, SL-BL 2-1/4 Amp 3
124612	Screw, 8-32 x 1/2 Hex 2	173716	Terminal, Receptacle Type 3	186059	Terminal 8
125009	Nut, 10-32 Hex 4	173974	Screw, 10-32 x 5/16 Hex 5	192027	Spacer, Disk 6
125011	Washer, Flat 6	177113	Insulator 8	192040	Bearing 6
125015	Washer, Flat 3,4,5,8	178535	Suppressor, Spark 3	195153	Transformer 8
125130	Screw, 6-32 x 1/2 Fil 9	180045	Terminal, Tab Type 6	195301	Mount, Vibration 4
125178	Screw, 6-40 Shoulder 2	180063	Spring, Compression 4	195802	Bracket, Motor Mounting 7
125205	Screw, 6-40 x 7/16 Fil 8	180863	Spring 5	196281	Spacer 4
128357	Ring, Retaining 5,7	180902	Jumper, 3-1/2" Braided 3	198206	Relay 9
130486	Strap, Mounting 7	180967	Shaft, Distributor 6	198430	Clamp, Cable 3
130487	Strap, Mounting 7	180968	Buffer 6	198518	Bushing, Insulating 8
142288	Jumper, 2" Black 9	180971	Shaft, Trip 6	198650	Key, Polarizing 8
142352	Foot, Mounting 2	180977	Plate w/Stud 4	300866	Belt, 35T 6
143040	Ring, Retaining 5	180978	Lever 4	305335	Rectifier w/Terminals 3
143630	Fuse, .75 Amp 3	180979	Brush, Carbon 6		
144631	Post, Mounting 3				
145052	Capacitor, 1 MFD 3				
145193	Screw, 6-40 x 1-1/2 Fil 3				
145913	Connector, 25 PT Receptacle Type 3				
150029	Wick, Felt 6				
150043	Shoe, Secondary Clutch 6				

NUMERICAL INDEX (Continued)

Part Number	Description and Page Number	Part Number	Description and Page Number	Part Number	Description and Page Number
305375	Gear w/Pulley 5,7	309295	Bellcrank w/Hub 6	309361	Insulator 3
305383	Clamp 6	309302	Coupling, Flexible 5	309399	Washer, Special 6
305384	Bracket 5,6	309303	Belt, 50T 7	320410	Terminal, Spade Type 3,9
305385	Plate, Mounting 5	309305	Plate w/Stud 5,7	320412	Terminal, Spade Type 8
305386	Gear, 18T 7	309307	Shaft, Drive 5	320418	Terminal, Ring Type 3
309226	Bracket 4	309308	Plate, Relay Mounting 3	321903	Board, Terminal 9
309227	Post 7	309312	Support, Shaft 4	321904	Capacitor, 4 MFD 9
309276	Base w/Brackets 2	309315	Bracket, Switch 4	321905	Cover, Insulating 9
309277	Base 3,4,7,8	309316	Pulley, 24T 6	321906	Cable w/Terminal 9
309278	Box, Chad 4	309317	Spacer 5	321911	Bracket 9
309280	Plate, Mounting 2	309318	Relay 3	321912	Modification Kit 1,9
309288	Post, 4-31/32" Lg 3	309324	Post, 4-49/64" Lg 4	324511	Guard 5
309291	Bracket, Mounting 4	309348	Post, Guide 4	327545	Post 5,6
309292	Stud 4	309354	Nut, Plate 4	327576	Bumper, Rubber 4
309293	Link, Drive 6	309356	Gauge, Feed Wheel 3	330782	Shield, Transformer 8
309294	Link, Reset 6			333515	Shield, Transformer 8