

35 "CARDATA"* FEEDER (EPCF)
DISASSEMBLY AND REASSEMBLY

CONTENTS	PAGE
1. GENERAL.	1
2. BASIC UNITS.	1
Base pan.	4
Brake spring.	6
Clutch stop solenoid	6
Cover.	4
Ejector roller spindle assembly	6
Feed roller assembly	5
Feed roller clutch assembly.	5
Feed roller rubber.	5
Separator stone assembly	5
Separator stones	4
Top plate	4

1. GENERAL

1.01 This section is issued to provide disassembly and reassembly instructions for the 35 "CARDATA" feeder (edge punched card feeder) (Figure 1) and to present these instructions as a separate section.

1.02 Disassembly as outlined in this section covers a procedure for removing the principal subassemblies which make up the unit.

1.03 The technician should refer to the exploded views found in the appropriate parts literature for an illustration of the mechanism to be disassembled, for location and visual identification of parts and detailed disassembly and reassembly features.

1.04 Most maintenance, lubrication, and adjustments can be accomplished simply by removing the top plate and the cover. If possible, disassembly should be confined to subassemblies, which can, in some cases, be removed without disturbing adjustments. When reassembling the subassemblies, be sure to check all associated adjustments, clearances and spring tensions.

*Trademark of Teletype Corporation

1.05 If a part that is mounted on shims is removed, the number of shims used at each of its mounting screws should be noted so that the same shim pile-up can be replaced when the part is remounted.

1.06 Retaining rings are made of spring steel and have a tendency to release suddenly when being removed. Loss of these retainers can be minimized as follows: Hold the retainer with the left hand to prevent it from rotating. Place the blade of a suitable screwdriver in one of the slots of the retainer. Rotate the screwdriver in a direction to increase the diameter of the retainer for removal.

1.07 Avoid loss of springs in disassembly by holding one spring loop with the left hand while gently removing the opposite loop with a spring hook. Do not stretch or distort springs in removing them.

1.08 References made to left, right, front, rear, etc apply to the feeder in its normal operating position as viewed from the operator's position in front of the feeder.

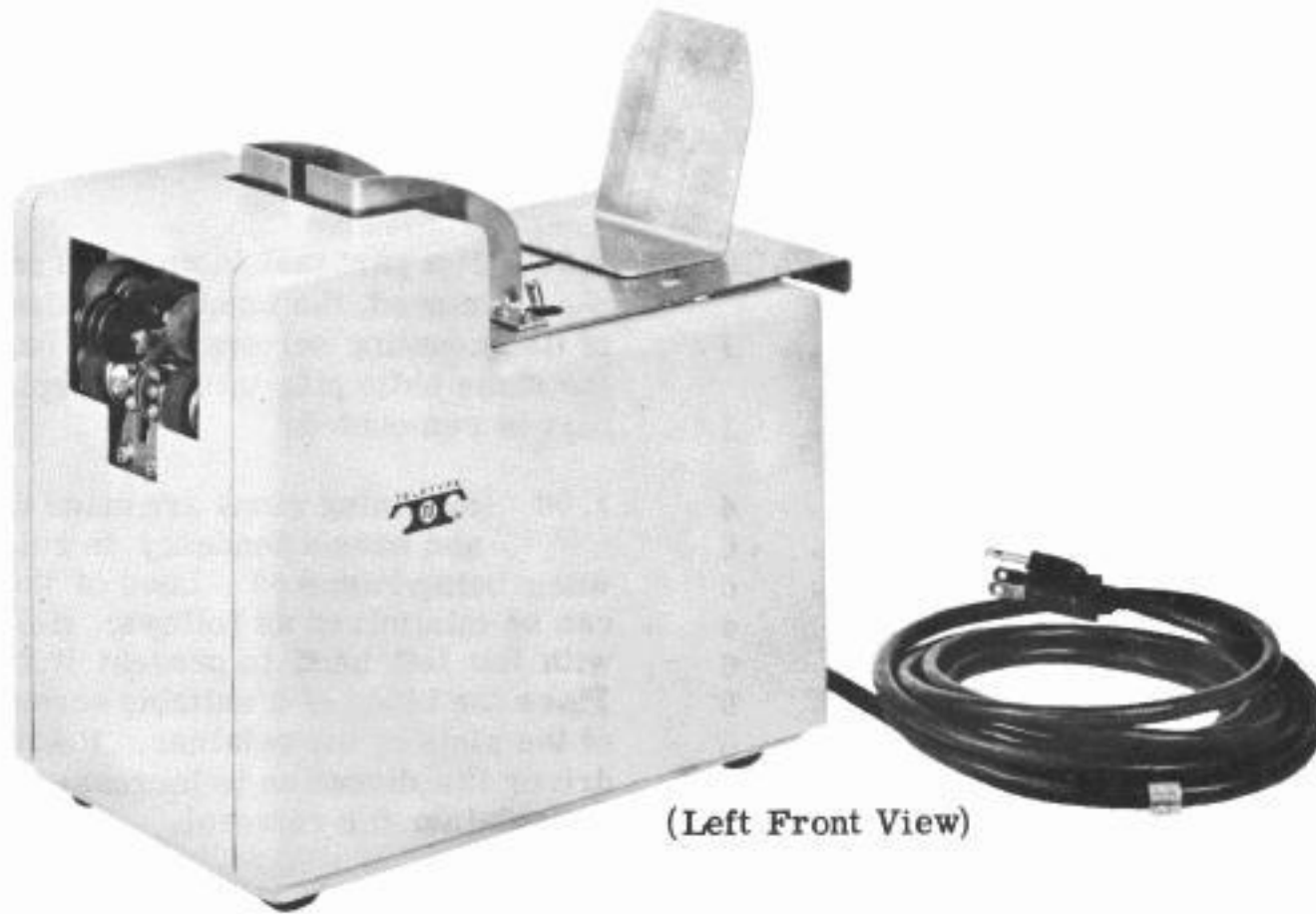
1.09 When mechanisms and parts, such as the cover, are removed, set them aside in some location where they will not get damaged and where they will not be a hazard to personnel around the area.

1.10 Refer to tools Section 570-005-800 for information covering standard tools.

2. BASIC UNITS

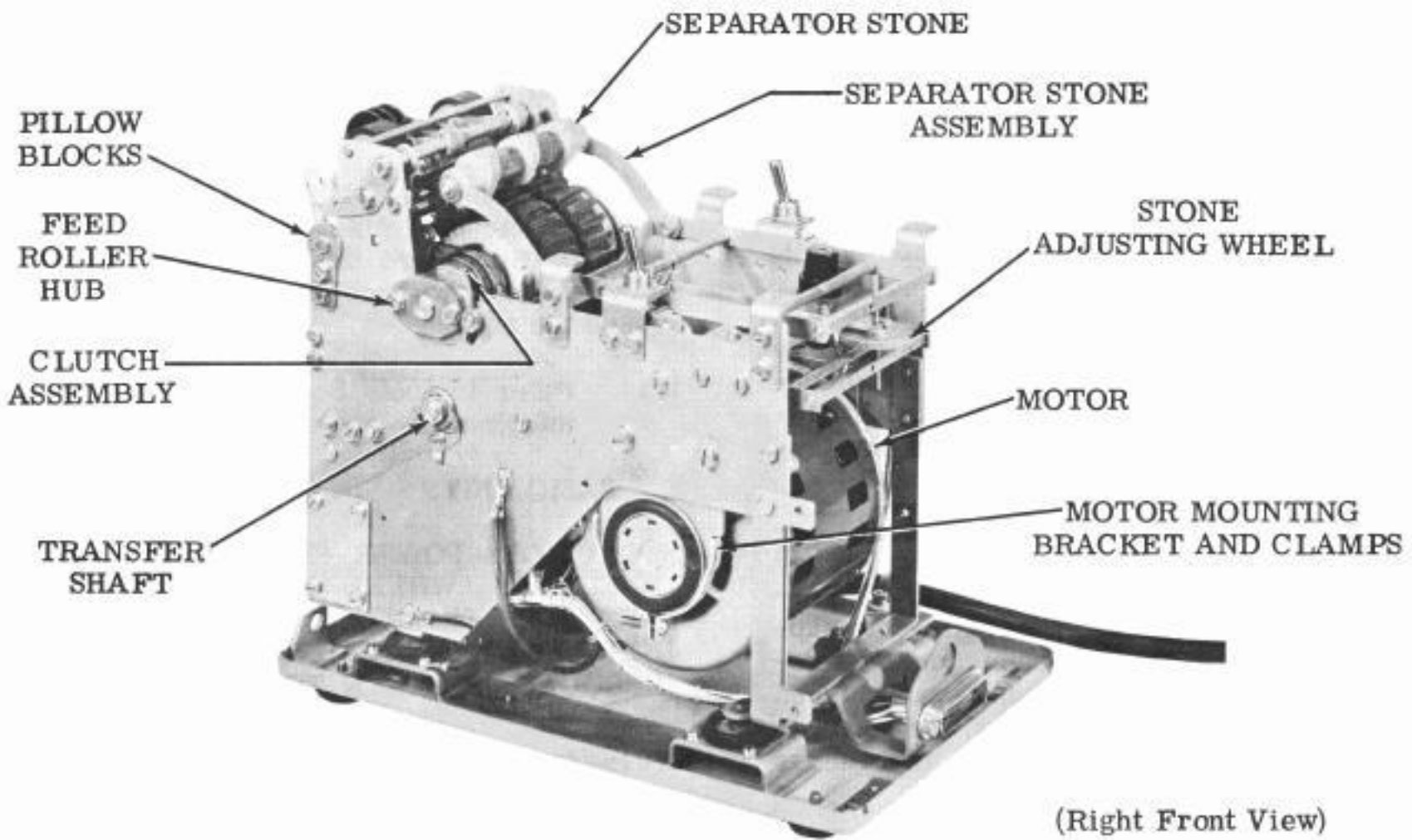
CAUTION: POWER SHOULD BE DISCONNECTED. WHERE PROCEDURES CALL FOR POWER TO BE CONNECTED, APPROPRIATE PRECAUTIONARY MEASURES SHOULD BE TAKEN TO AVOID ACCIDENT.

2.01 In removing a subassembly from the unit, the procedure followed and the location from which parts are removed must be carefully noted so that reassembly can be made correctly.



(Left Front View)

Figure 1 - 35 Edge Punched Card Feeder



(Right Front View)

Figure 2 - 35 Edge Punched Card Feeder - Without Top Plate and Cover

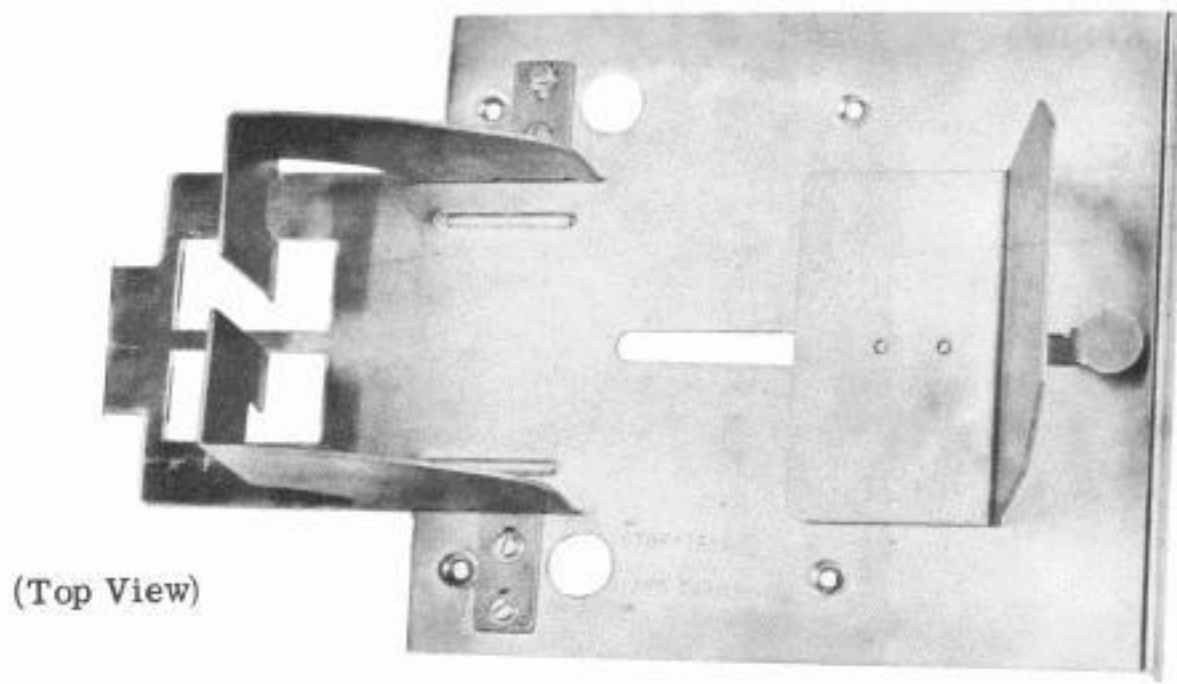


Figure 3 - Top Plate Assembly

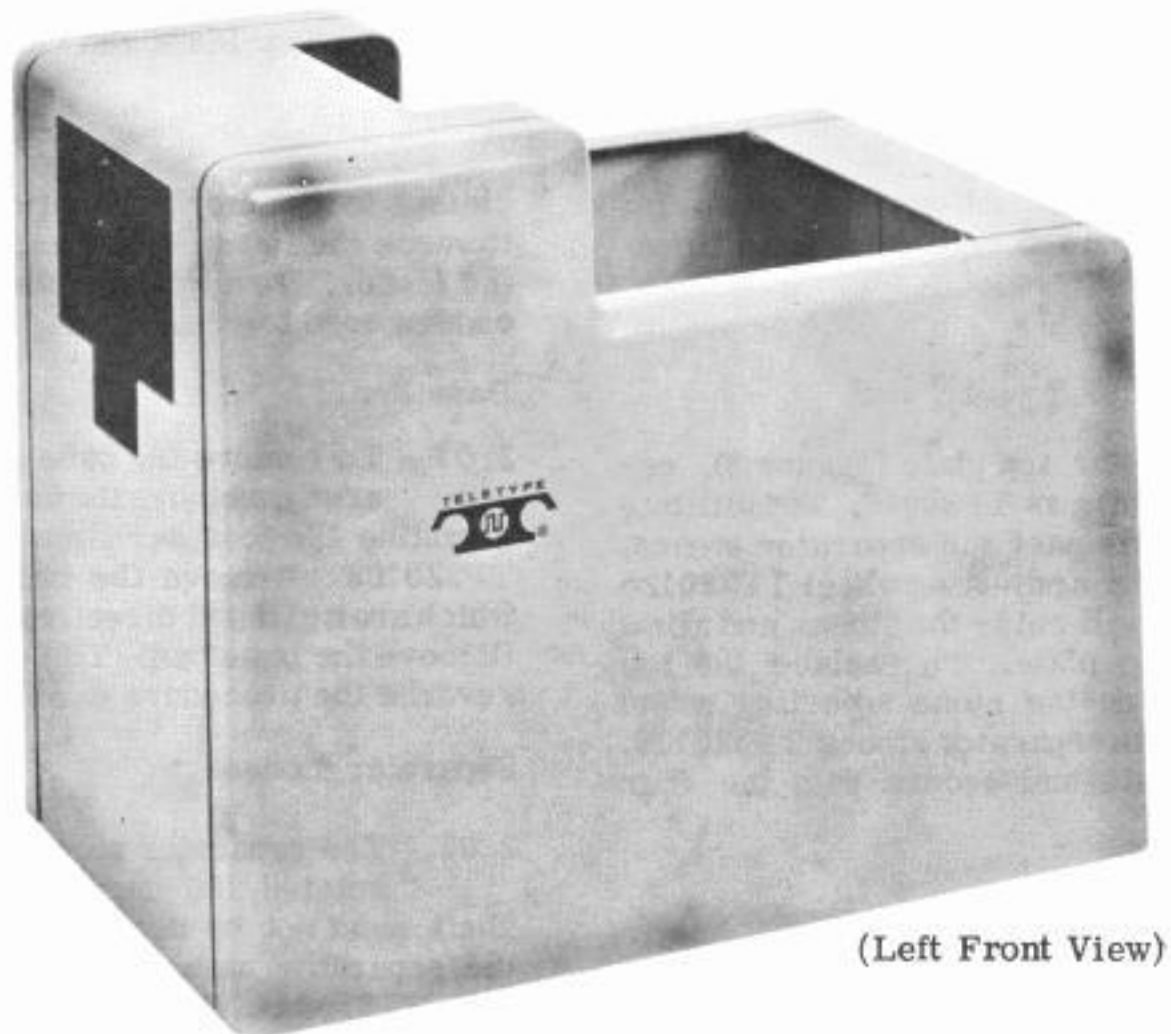


Figure 4 - Cover

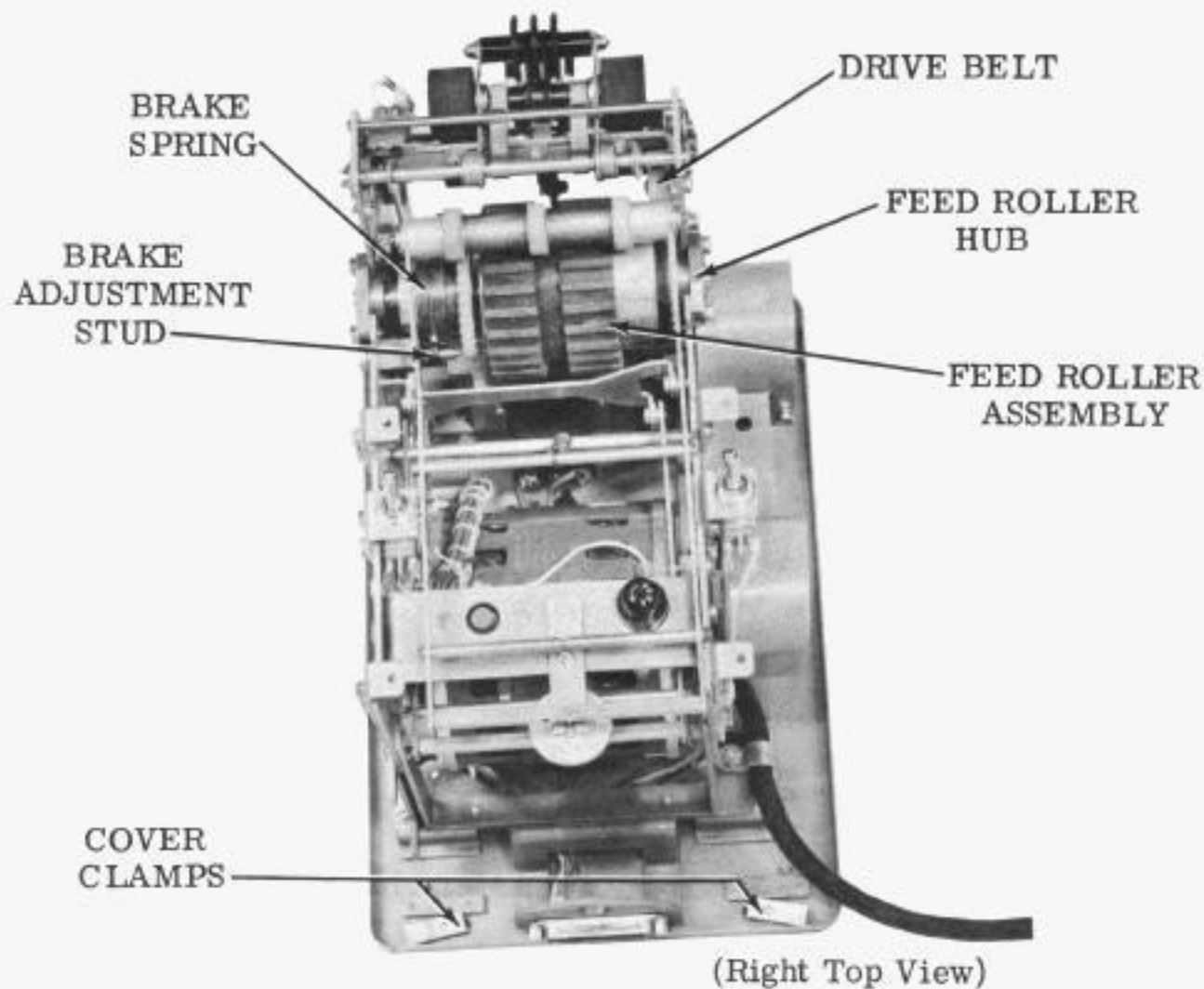


Figure 5 - Edge Punched Card Feeder - Without Top Plate and Cover

Where no specific instructions are given for reassembly, reverse the procedure used to remove it.

Top Plate

2.02 To remove the top plate (Figure 3), remove four screws TP84990. To facilitate moving the top plate past the separator stones, push down on the stone adjusting wheel TP320125 (Figure 2). This will raise the stones and allow removal of the top plate. To replace the top plate, push down on the stone adjusting wheel TP320125 to lift the separator stones TP320120. Install the top plate and secure with the four screws TP84990.

Cover

2.03 Complete top plate removal. Loosen the two screws TP151630 holding the two cover clamps TP320094. Move these cover

clamps to the unlocked position (Figure 5). Push towards the left on cover and lift the cover from the feeder. To replace cover, reverse the procedure used to remove it.

Base Pan

2.04 To remove the base pan TP320093 (Figure 6), remove the four screws TP151632 mounting the coupler brackets TP320102 and TP320103. Remove the two screws TP151632 which are tightened directly against the base pan. Remove the base pan. To replace the base pan, reverse the procedure used to remove it.

Separator Stones

2.05 The separator stones (Figure 2) may be rotated 180 degrees when worn but the shaft must not be turned end for end. To turn the separator stone TP320120, loosen the two nuts TP3598 on the end of the separator stone aligning shaft TP320118. Tighten the nuts. Avoid excess pressure to prevent cracking of stones.

Separator Stone Assembly

2.06 To remove the separator stone assembly TP320072 (Figure 7) remove the two screws TP152893 mounting the adjusting screw guide TP320077. Remove the spring TP109675 from the adjusting frame spacer TP320116. Remove TP151631 screws mounting the TP320109 stone adjusting screw guide. Remove the two screws TP151630 mounting the pivots TP320110. Lift the separator stone assembly from the unit. To replace the separator stone assembly, reverse the procedure used to remove it.

Feed Roller Assembly

2.07 To remove the feed roller assembly TP323467 (Figure 5), proceed as follows: Remove the four screws TP151632 clamping the two feed roller hubs. Remove the retainer ring TP119649 that attaches the brake spring TP320146 to the link TP320134. Remove the nut TP3354 securing the brake adjustment stud. Remove the retaining rings TP119655 from the feed roller shaft and remove the two feed roller

hubs TP320075. Disengage the drive belt TP320069 from the feed roller pulley. Lift the feed roller assembly from the unit. To replace the feed roller assembly, reverse the procedure used to remove it.

Feed Roller Rubber

2.08 With the feed roller assembly removed from the unit, the old rubber may be cut off and the new rubber installed.

Feed Roller Stop Clutch Assembly

2.09 To disassemble the stop clutch (Figure 8), remove the taper pin in the clutch arbor. Turn the arbor counterclockwise while carefully pulling it out of the spring. Remove the confiner and drive gear. Turn the spring clockwise to remove it from the feed roller drive gear arbor. To reassemble, turn clutch spring onto feed roller drive gear arbor. Loop of spring must be against the gear face. Install the confiner over the clutch spring. Set the tape

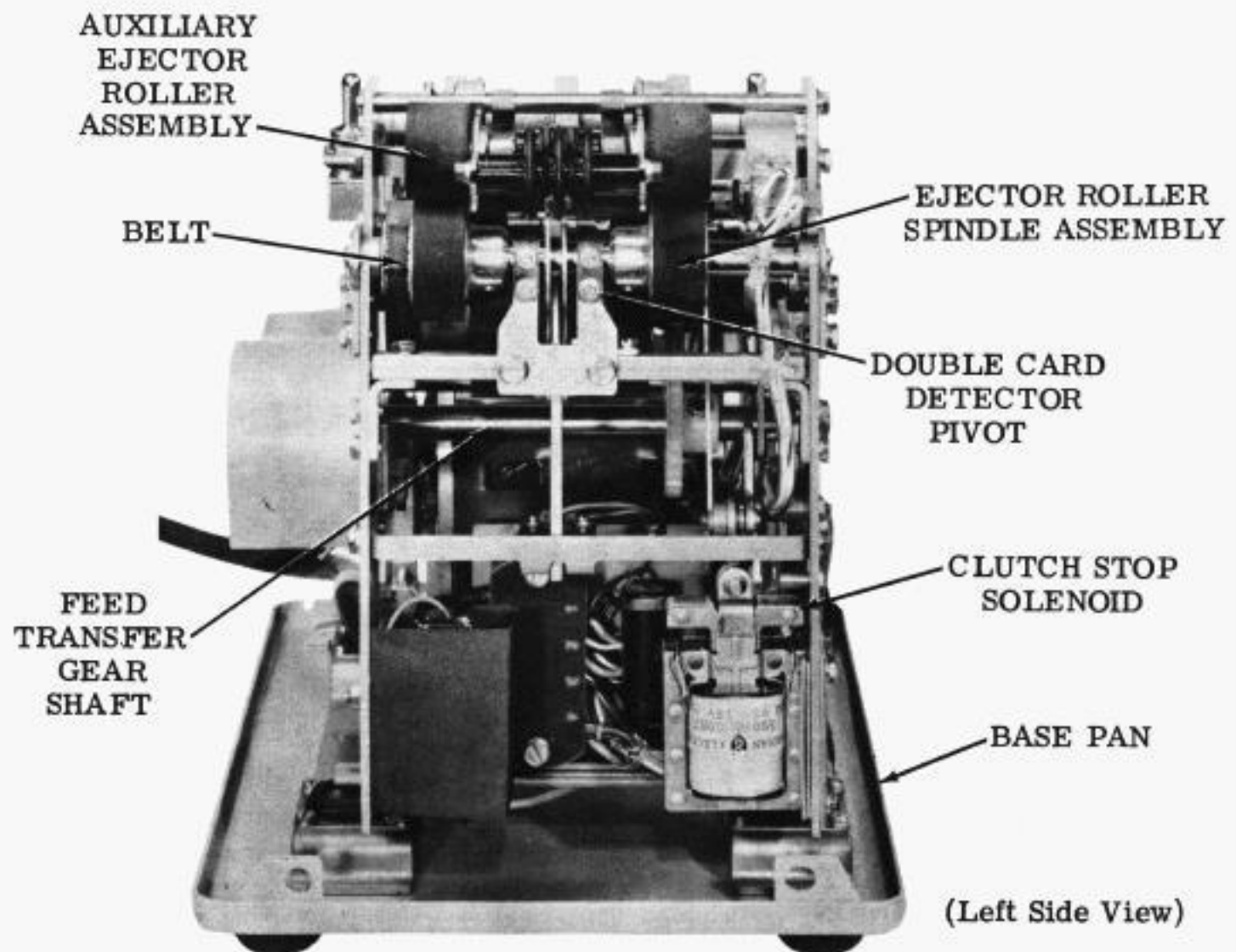


Figure 6 - 35 Edge Punched Card Feeder - Without Top Plate and Cover

pin hole (large end) in the spindle at 12 o'clock. Align the pin hole (large end) in the arbor at 2 o'clock. Carefully turn counterclockwise and push the arbor into the spring until the holes are aligned. This procedure may be used as a guide as it is difficult to align in holes by turning clockwise. Pin the clutch arbor to the spindle.

Brake Spring

2.10 To remove the brake spring TP320146 (Figure 5) after the feed roller is out of the unit, remove the retainer ring and the spacer TP320147 from the brake adjustment stud. Should the brake spring be worn, stretched, or only partially gripping, it must be replaced. To replace the brake spring, reverse the procedure used to remove it.

Ejector Roller Spindle Assembly

2.11 To remove the ejector roller spindle assembly TP320068 (Figure 7), remove the four screws TP151630 mounting the two

pillow blocks TP320076. Remove the two screws securing the double card detector pivot TP320136 (Figure 6). Remove the retainer ring TP119653 from the ejector roller spindle shaft and remove the pillow blocks. Disengage the timing belt TP320069 from the pulley and lift the spindle free of the feeder. If necessary, the rubber TP320107 is used to replace worn rubber on the ejector roller spindle assembly. To replace the ejector roller spindle assembly, reverse the procedure used to remove it.

Clutch Stop Solenoid

2.12 To replace the clutch stop solenoid TP139012 (Figure 6), remove the four screws TP151631 from nut plates TP320128 mounting the solenoid. Remove the retainer ring TP119649 on the pin TP153565. Remove the pin and lift out solenoid. To replace the clutch stop solenoid, reverse the procedure used to remove it.

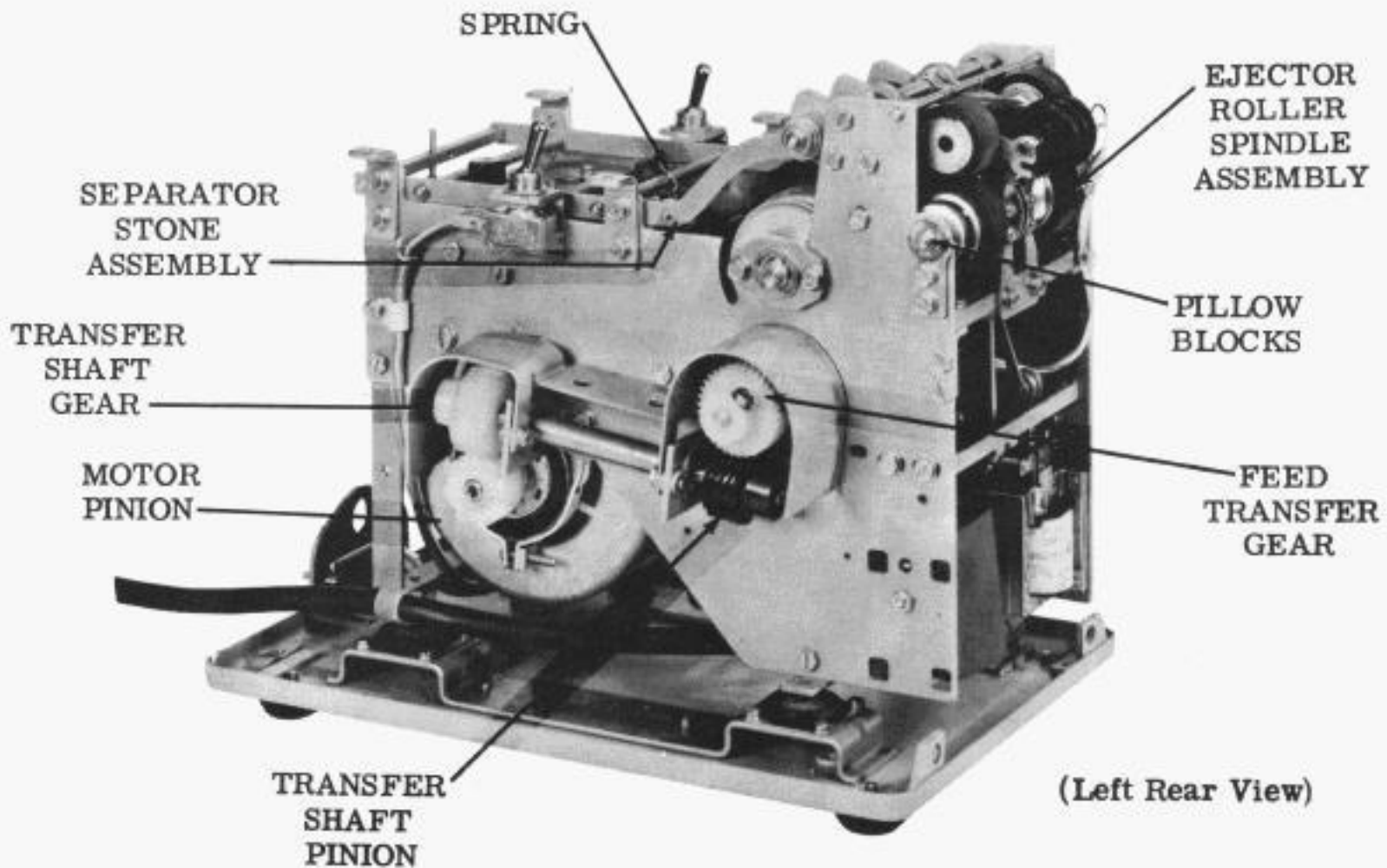
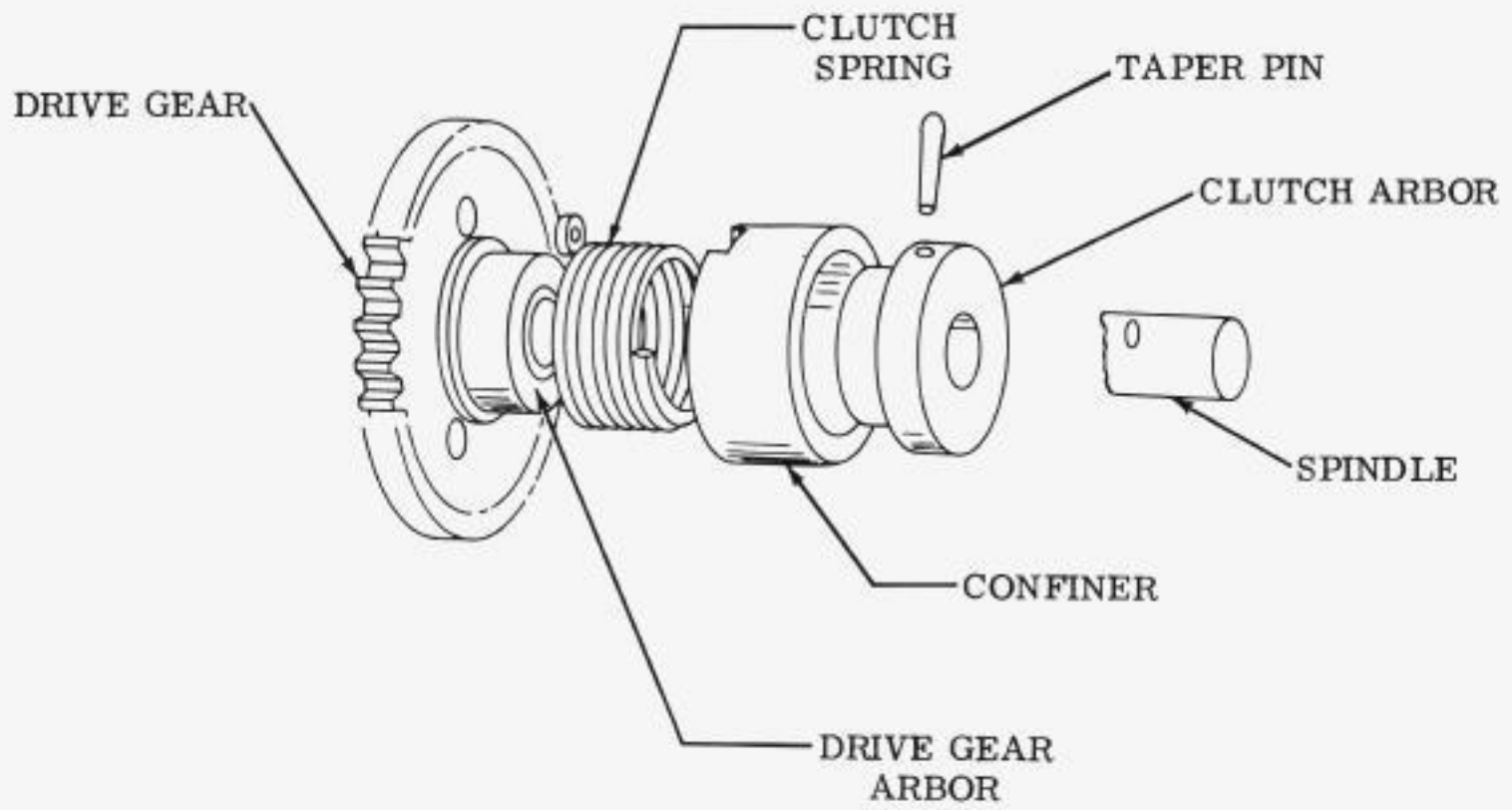


Figure 7 - 35 Edge Punch Card Feeder - Without Top Plate and Cover



(Left Side View)

Figure 8 - Feed Roller Clutch Assembly