

BULLETIN No. 1018

ISSUE I

DECEMBER, 1930

TELETYPE

PRINTING TELEGRAPH SYSTEMS

PARTS

TAPE TRANSMITTER

AND

AUTO CONTROL RELAY UNIT



REG. U. S. PAT. OFF.
CORPORATION

SUBSIDIARY OF

Western Electric Company

CHICAGO, U. S. A.

TELETYPE

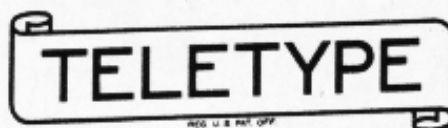
PRINTING TELEGRAPH SYSTEMS

PARTS

TAPE TRANSMITTER

AND

AUTO CONTROL RELAY UNIT

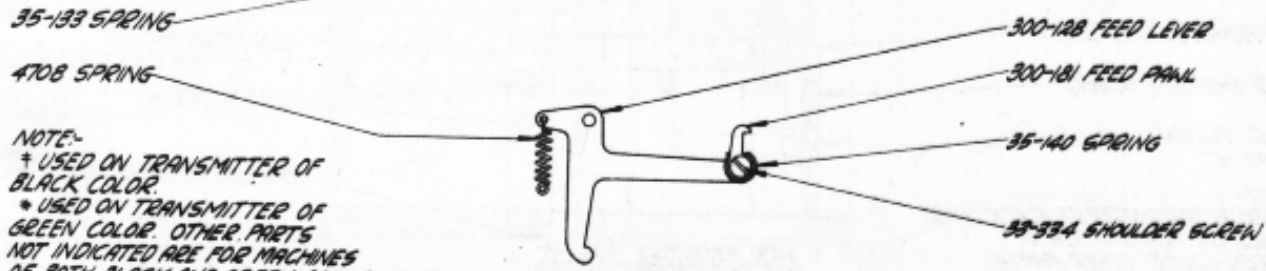
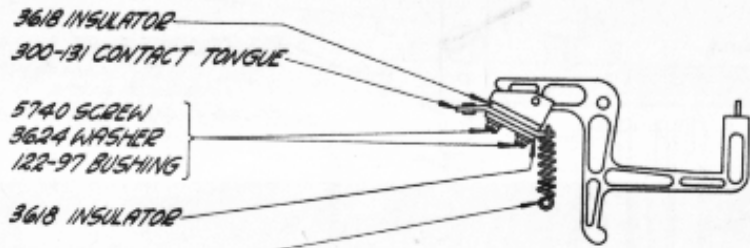
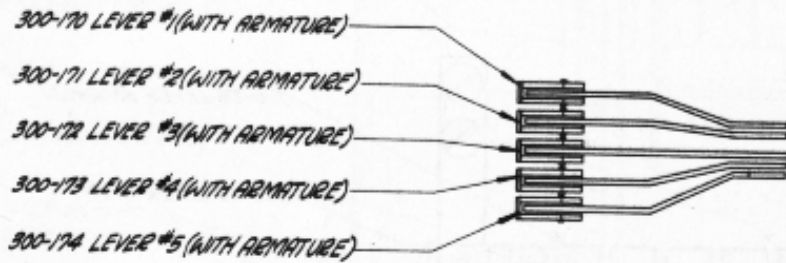
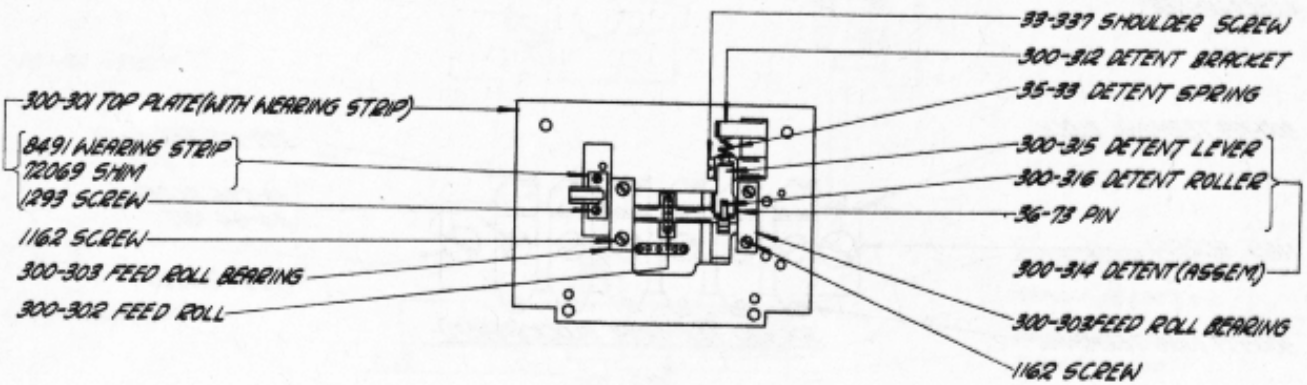
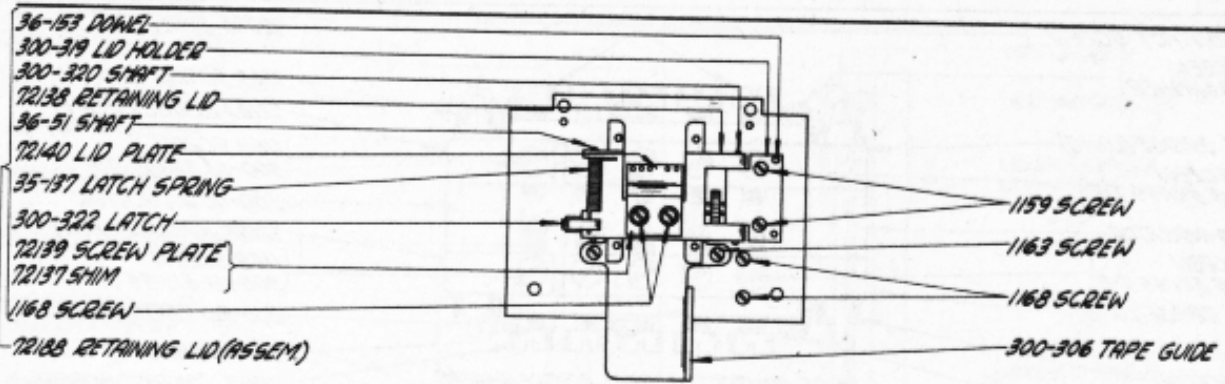


REG. U. S. PAT. OFF.
CORPORATION

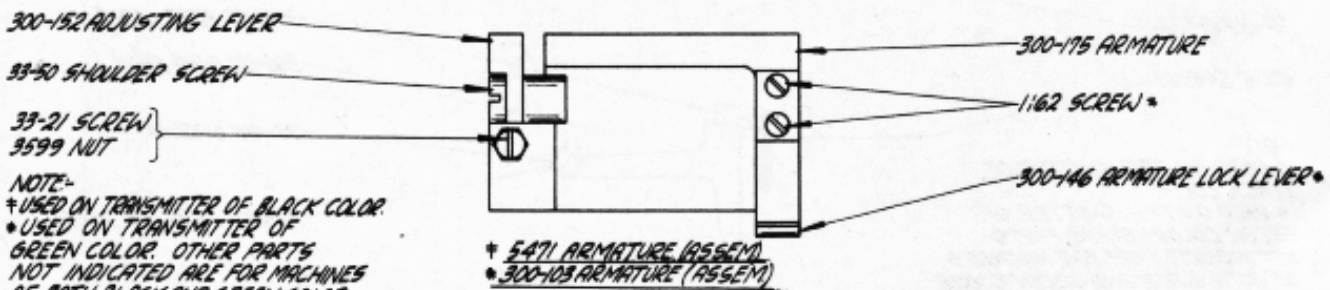
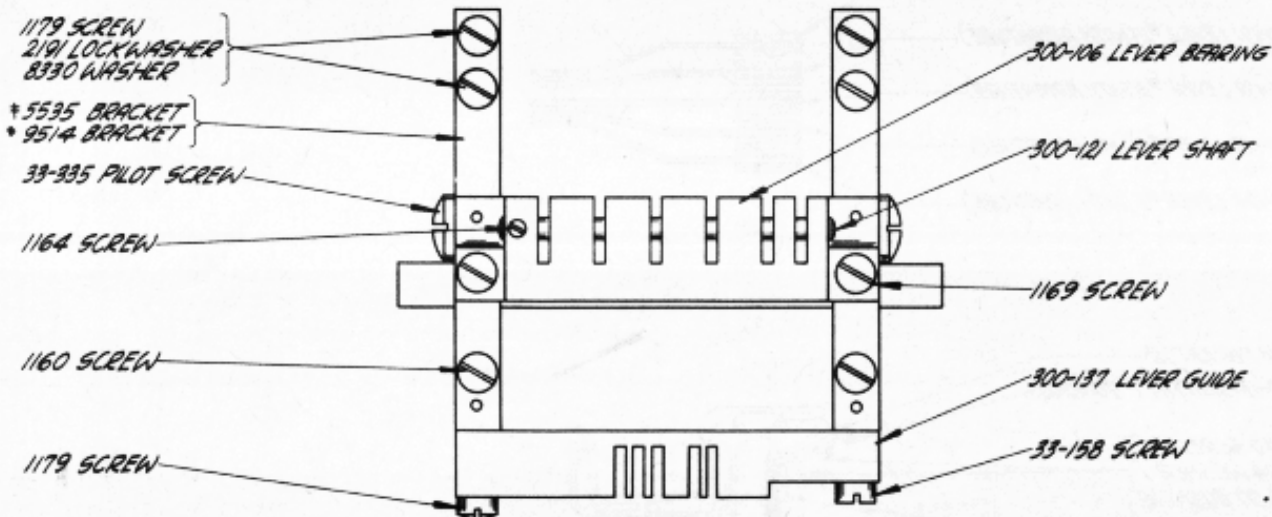
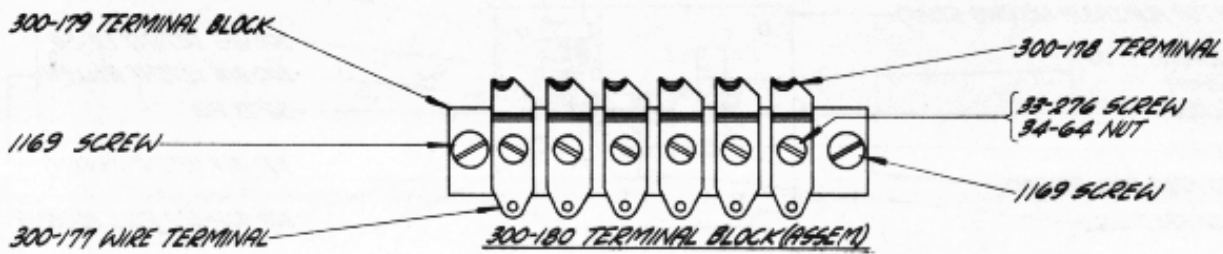
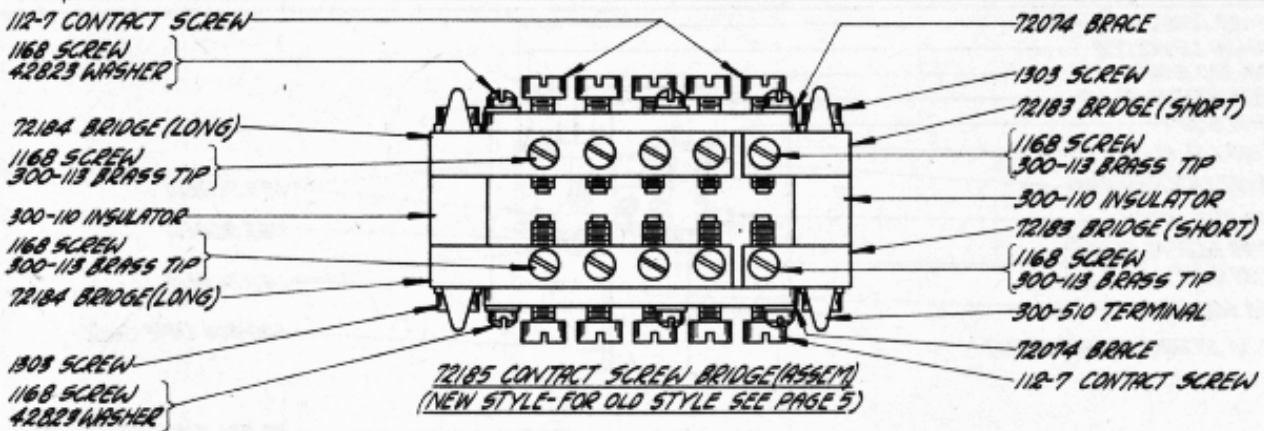
SUBSIDIARY OF

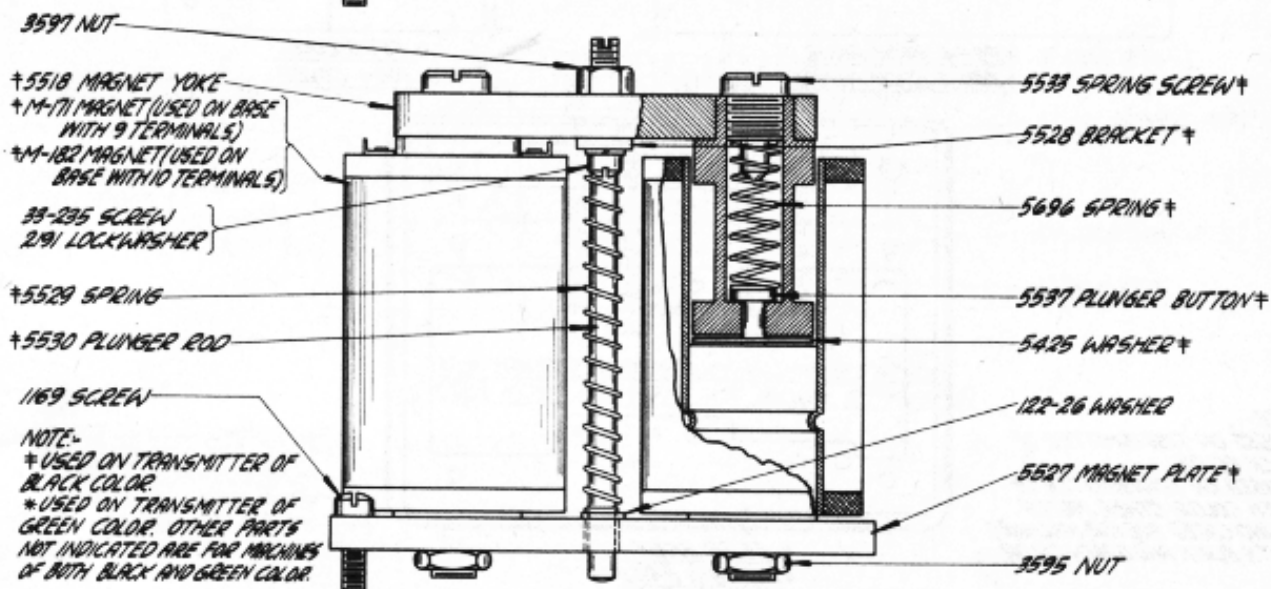
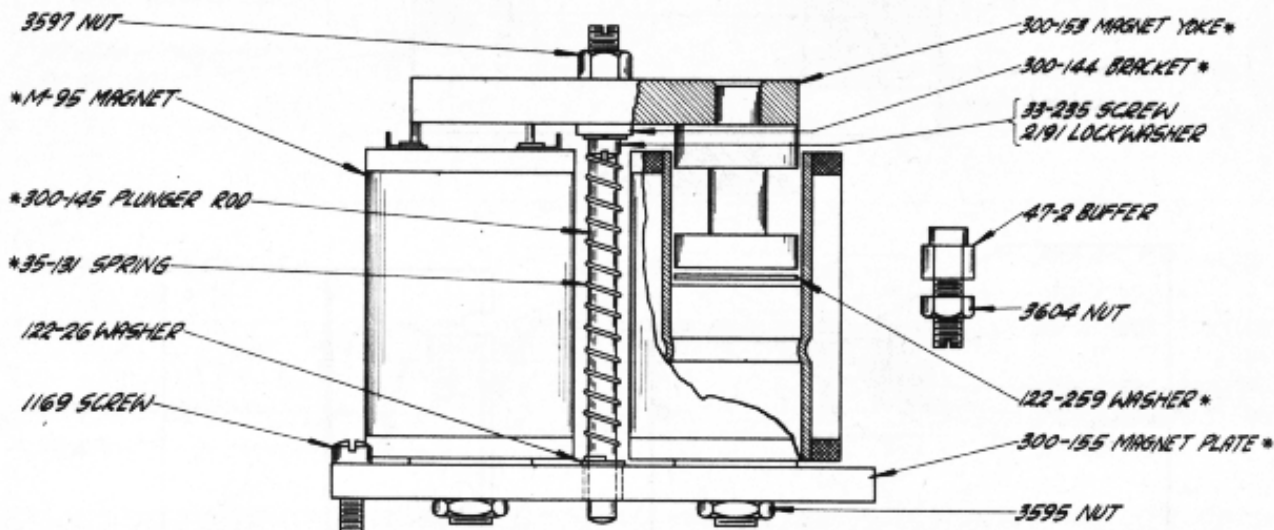
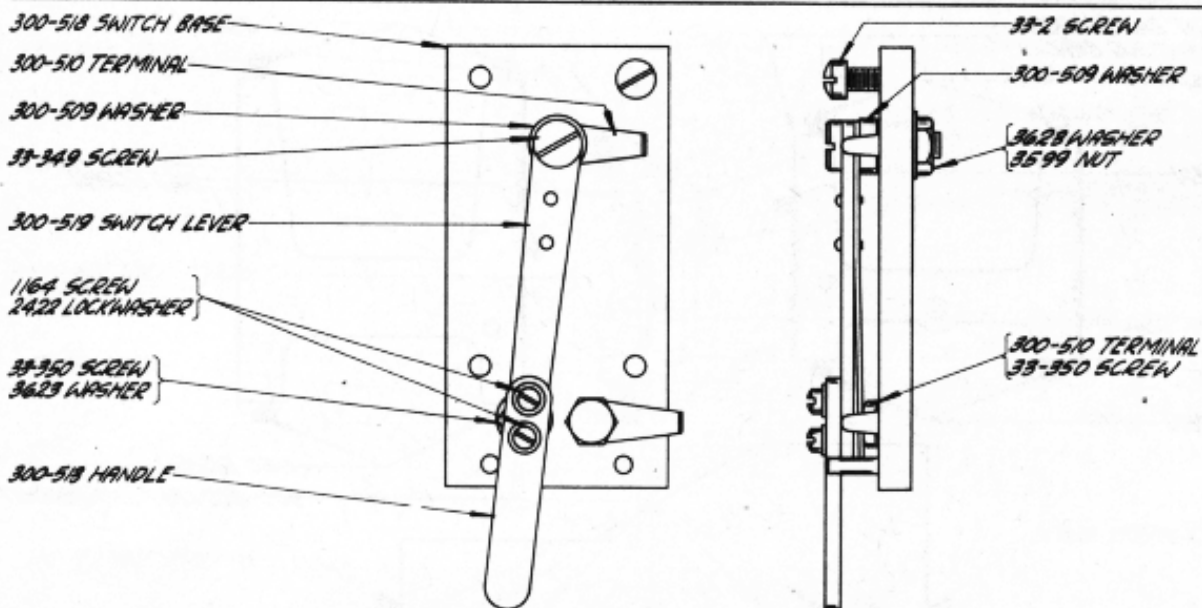
Western Electric Company

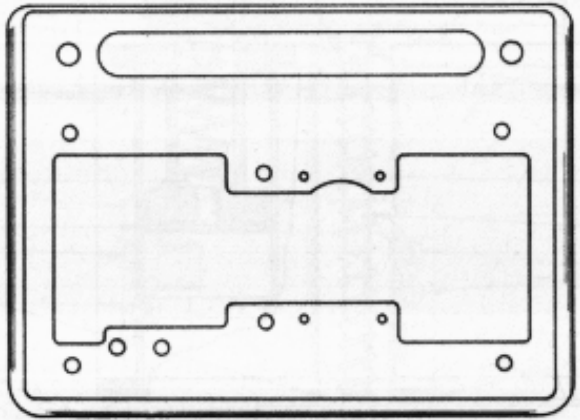
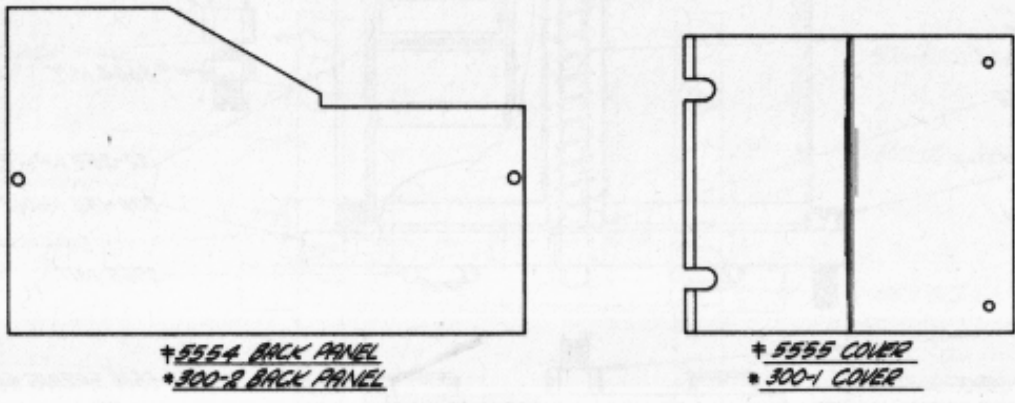
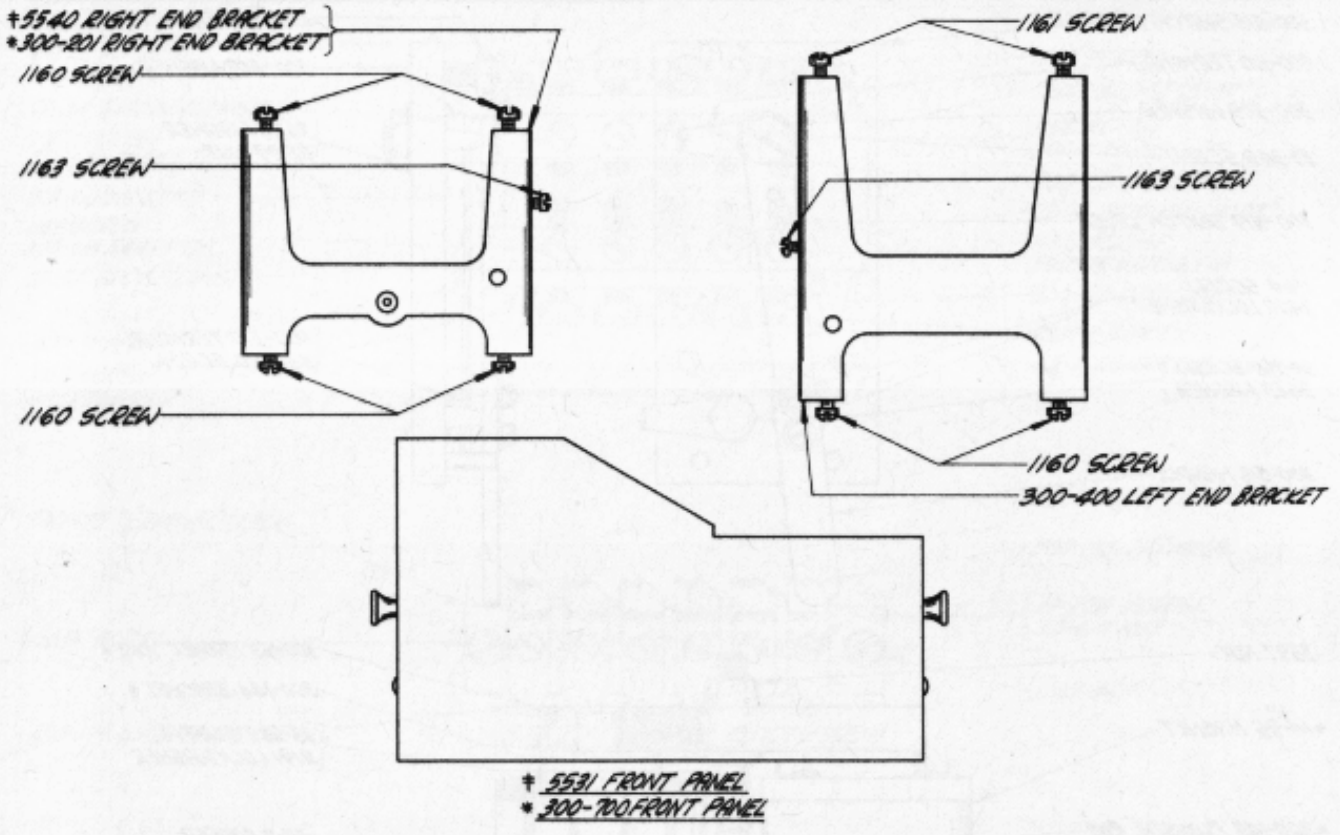
CHICAGO, U. S. A.



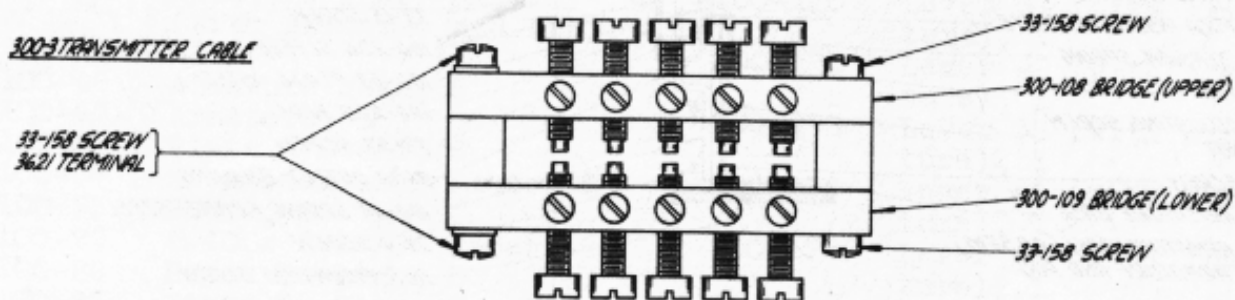
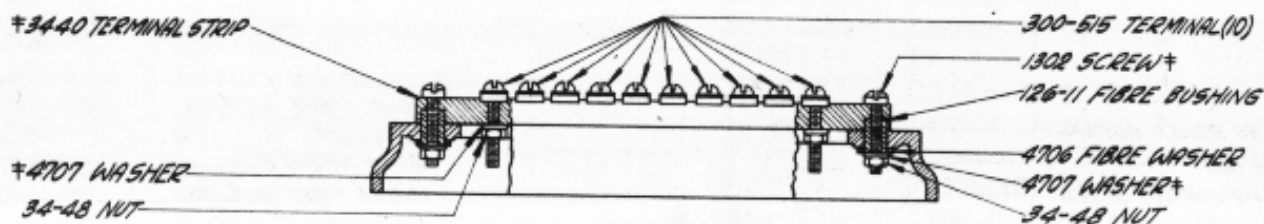
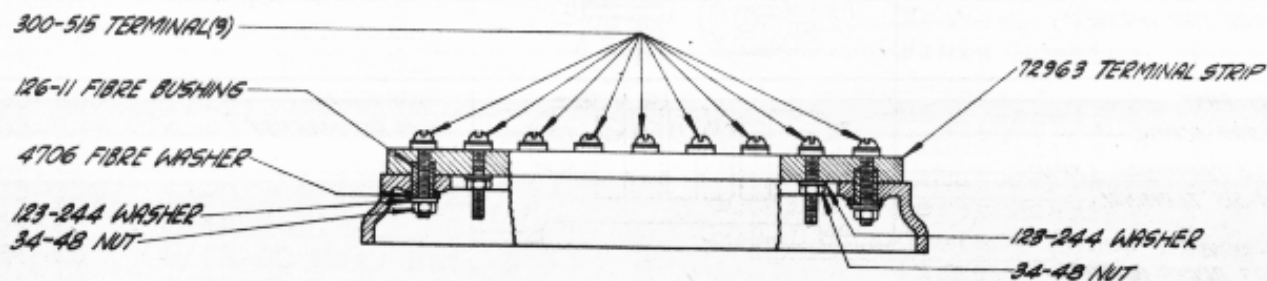
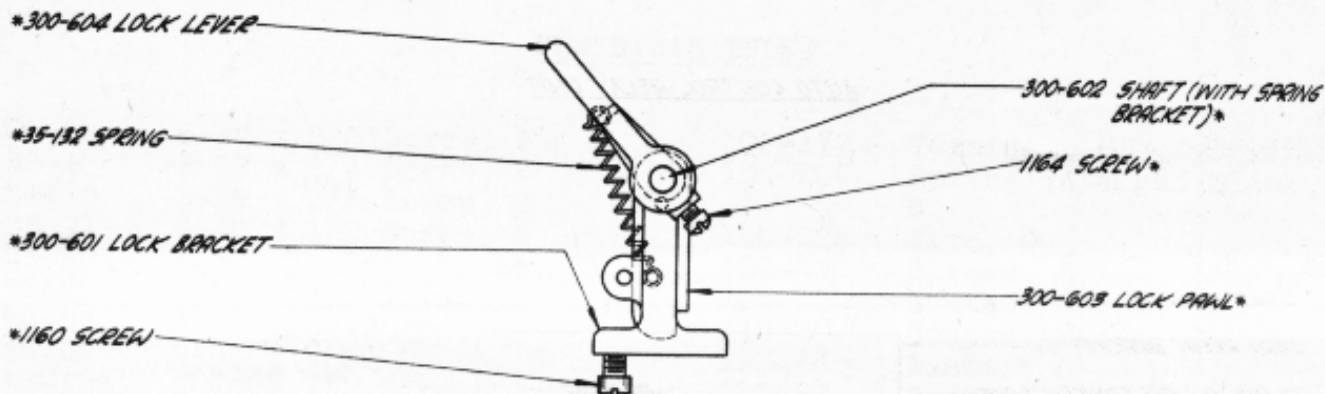
NOTE:-
* USED ON TRANSMITTER OF BLACK COLOR.
* USED ON TRANSMITTER OF GREEN COLOR. OTHER PARTS NOT INDICATED ARE FOR MACHINES OF BOTH BLACK AND GREEN COLOR.







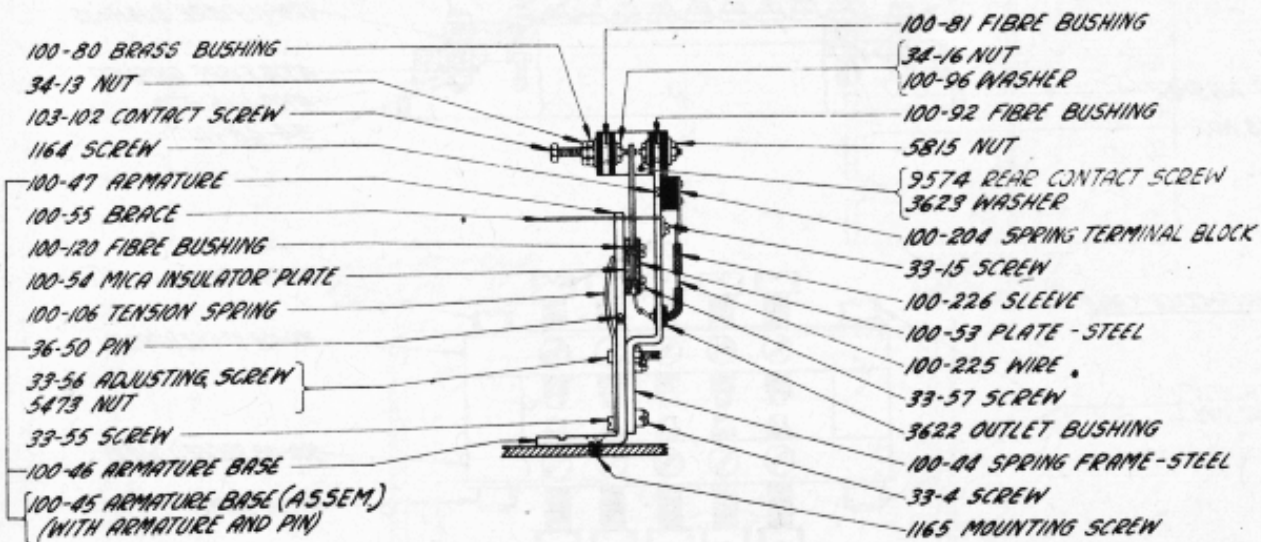
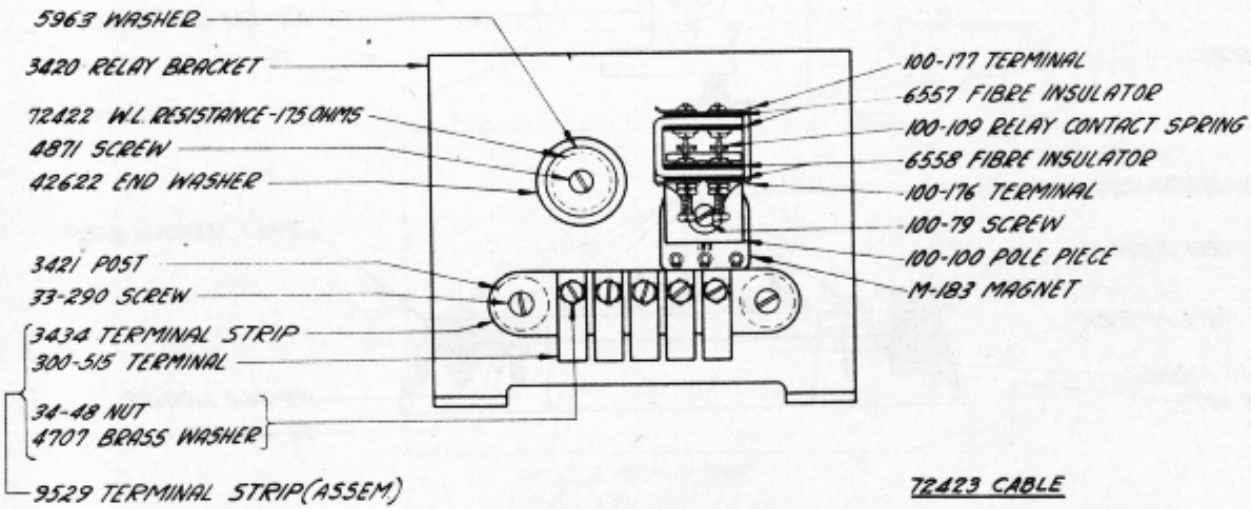
NOTE-
* USED ON TRANSMITTER OF BLACK COLOR.
* USED ON TRANSMITTER OF GREEN COLOR. OTHER PARTS NOT INDICATED ARE FOR MACHINES OF BOTH BLACK AND GREEN COLOR.



300-107 CONTACT SCREW BRIDGE (ASSEM) (OLD STYLE)
(FOR NEW STYLE AND PARTS NOT SHOWN SEE PAGE 2)

NOTE-
* USED ON TRANSMITTER OF BLACK COLOR.
* USED ON TRANSMITTER OF GREEN COLOR. OTHER PARTS NOT INDICATED ARE FOR MACHINES OF BOTH BLACK AND GREEN COLOR.

AUTO CONTROL RELAY UNIT



8334 RELAY ASSEMBLY

NUMERICAL INDEX

33-2	6-32 x 3/8 Screw, 3	100-177	Terminal, 6
33-4	6-32 x 1/4 Screw, 6	100-204	Spring Terminal Block, 6
33-15	2-56 x 1/8 Screw, 6		
33-21	4-40 x 1/2 Screw, 2	100-225	Wire, 6
33-50	4-40 Shoulder Screw, 2	100-226	Sleeve, 6
33-55	3-56 x 1/8 Screw, 6	103-102	Contact Screw, 6
33-56	Adjusting Screw, 6	112-7	Contact Screw, 2
33-57	2-56 x 9/32 Screw, 6	122-26	Washer, 3
33-158	6-40 x 1/2 Screw, 2,5	122-97	Bushing, 1
33-235	6-32 x 5/16 Screw, 3	122-259	Washer, 3
33-276	3-48 x 5/16 Screw, 2	123-244	Washer, 5
33-290	8-32 x 1 1/2 Screw, 6	126-11	Fibre Bushing, 5
33-334	4-40 Shoulder Screw, 1	300-1	Cover, 4
33-335	Pilot Screw, 2	300-2	Back Panel, 4
33-337	4-40 Shoulder Screw, 1	300-3	Transmitter Cable, 5
33-349	4-40 Shoulder Screw, 3	300-103	Armature (Assem.), 2
33-350	4-40 x 3/16 Screw, 3	300-106	Lever Bearing, 2
34-13	3-56 Hex. Nut, 6	300-107	Contact Screw Bridge (Assem.) (Old Style), 5
34-16	5/32-60 Hex. Nut, 6	300-108	Bridge (Upper), 5
34-48	6-32 Hex. Nut, 5,6	300-109	Bridge (Lower), 5
34-64	3-48 Sq. Nut, 2	300-110	Insulator, 2
35-33	Detent Spring, 1	300-113	Brass Tip, 2
35-131	Spring, 3	300-121	Lever Shaft, 2
35-132	Spring, 5	300-128	Feed Lever, 1
35-133	Spring, 1	300-131	Contact Tongue, 1
35-137	Latch Spring, 1	300-137	Lever Guide, 2
35-140	Spring, 1	300-144	Bracket, 3
36-50	Pin, 6	300-145	Plunger Rod, 3
36-51	Shaft, 1	300-146	Armature Lock Lever, 2
36-73	Pin, 1	300-152	Adjusting Lever, 2
36-153	Dowel, 1	300-153	Magnet Yoke, 3
47-2	Buffer, 3	300-155	Magnet Plate, 3
100-44	Spring Frame - Steel, 6	300-170	Lever #1 (With Armature), 1
100-45	Armature Base (Assem.) (With Armature and Pin), 6	300-171	Lever #2 (With Armature), 1
100-46	Armature Base, 6	300-172	Lever #3 (With Armature), 1
100-47	Armature, 6	300-173	Lever #4 (With Armature), 1
100-53	Plate - Steel, 6	300-174	Lever #5 (With Armature), 1
100-54	Mica Insulator Plate, 6	300-175	Armature, 2
100-55	Brace, 6	300-177	Wire Terminal, 2
100-79	8-40 x 2-19/32 Screw, 6	300-178	Terminal, 2
100-80	Brass Bushing, 6	300-179	Terminal Block, 2
100-81	Fibre Bushing, 6	300-180	Terminal Block (Assem.) 2
100-92	Fibre Bushing, 6	300-181	Feed Pawl, 1
100-96	Washer, 6	300-201	Right End Bracket, 4
100-100	Pole Piece, 6		
100-106	Tension Spring, 6		
100-109	Relay Contact Spring, 6		
100-120	Fibre Bushing, 6		
100-176	Terminal, 6		

NUMERICAL INDEX

300-301	Top Plate (With Wearing Strip), 1	3597	5/32-40 Hex. Nut, 3
300-302	Feed Roll, 1	3599	4-40 Hex. Nut, 2,3
300-303	Feed Roll Bearing, 1	3604	5/32-40 Hex. Nut, 3
300-306	Tape Guide, 1	3618	Insulator, 1
300-312	Detent Bracket, 1	3621	Terminal, 5
300-314	Detent (Assem.), 1	3622	Outlet Bushing, 6
300-315	Detent Lever, 1	3623	Washer, 3,6
300-316	Detent Roller, 1	3624	Washer, 1
300-319	Lid Holder, 1	4706	Fibre Washer, 5
300-320	Shaft, 1	4707	Washer, 5,6
300-322	Latch, 1	4708	Spring, 1
300-400	Left End Bracket, 4	4871	3/16-24 x 4 Screw, 6
300-509	Washer, 3	5425	Washer, 3
300-510	Terminal, 2,3	5471	Armature (Assem.), 2
300-513	Handle, 3	5473	3-56 Hex. Nut, 6
300-515	Terminal, 5,6	5518	Magnet Yoke, 3
300-516	Base, 4	5527	Magnet Plate, 3
300-518	Switch Base, 3	5528	Bracket, 3
300-519	Switch Lever, 3	5529	Spring, 3
300-601	Lock Bracket, 5	5530	Plunger Rod, 3
300-602	Shaft (With Spring Bracket), 5	5531	Front Panel, 4
300-603	Lock Pawl, 5	5533	Spring Screw, 3
300-604	Lock Lever, 5	5535	Bracket, 2
300-700	Front Panel, 4	5537	Plunger Button, 3
M-95	Magnet, 3	5540	Right End Bracket, 4
M-171	Magnet, 3	5554	Back Panel, 4
M-182	Magnet, 3	5555	Cover, 4
M-183	Magnet, 6	5558	Base, 4
1159	4-40 x 3/8 Screw, 1	5696	Spring, 3
1160	6-40 x 5/16 Screw, 2,4,5	5740	2-56 x 1/4 Screw, 1
1161	6-40 x 1/4 Screw, 4	5815	4-48 Hex. Nut, 6
1162	4-40 x 1/4 Screw, 1,2	5963	Washer, 6
1163	4-40 x 3/16 Screw, 1,4	6557	Fibre Insulator, 6
1164	2-56 x 3/16 Screw, 2,3,5,6	6558	Fibre Insulator, 6
1165	6-32 x 1/4 Screw, 6	8330	Washer, 2
1168	4-40 x 5/16 Screw, 1,2	8334	Relay (Assem.), 6
1169	6-40 x 7/16 Screw, 2,3	8491	Wearing Strip, 1
1179	6-40 x 5/8 Screw, 2	9514	Bracket, 2
1293	4-40 x .120 Screw, 1	9529	Terminal Strip (Assem.), 6
1302	6-32 x 1/4 Screw, 5	9574	Upper Contact Screw, 6
1303	6-40 x .406 Screw, 2	42622	End Washer, 6
2191	Lockwasher, 2,3	42823	Washer, 2
2422	Lockwasher, 3	72069	Shim, 1
3420	Relay Bracket, 6	72074	Brace, 2
3421	Post, 6	72137	Shim, 1
3434	Terminal Strip, 6	72138	Retaining Lid, 1
3440	Terminal Strip, 5	72139	Screw Plate, 1
3595	1/4-32 Hex. Nut, 3	72140	Lid Plate, 1
		72183	Bridge (Short), 2
		72184	Bridge (Long), 2
		72185	Contact Screw Bridge (Assem), 2

NUMERICAL INDEX

72188 Retaining Lid (Assem.), 1
72422 W.L. Resistance (175
Ohms), 6
72423 Cable, 6
72963 Terminal Strip, 5