

BULLETIN NO. 1118
ISSUE 1
JANUARY, 1944

TELETYPE

PRINTING TELEGRAPH SYSTEMS

EE 816-51028

JP

PARTS
MESSAGE TICKETER
(JP)



BULLETIN NO. 1118
ISSUE 1
JANUARY, 1944

TELETYPE

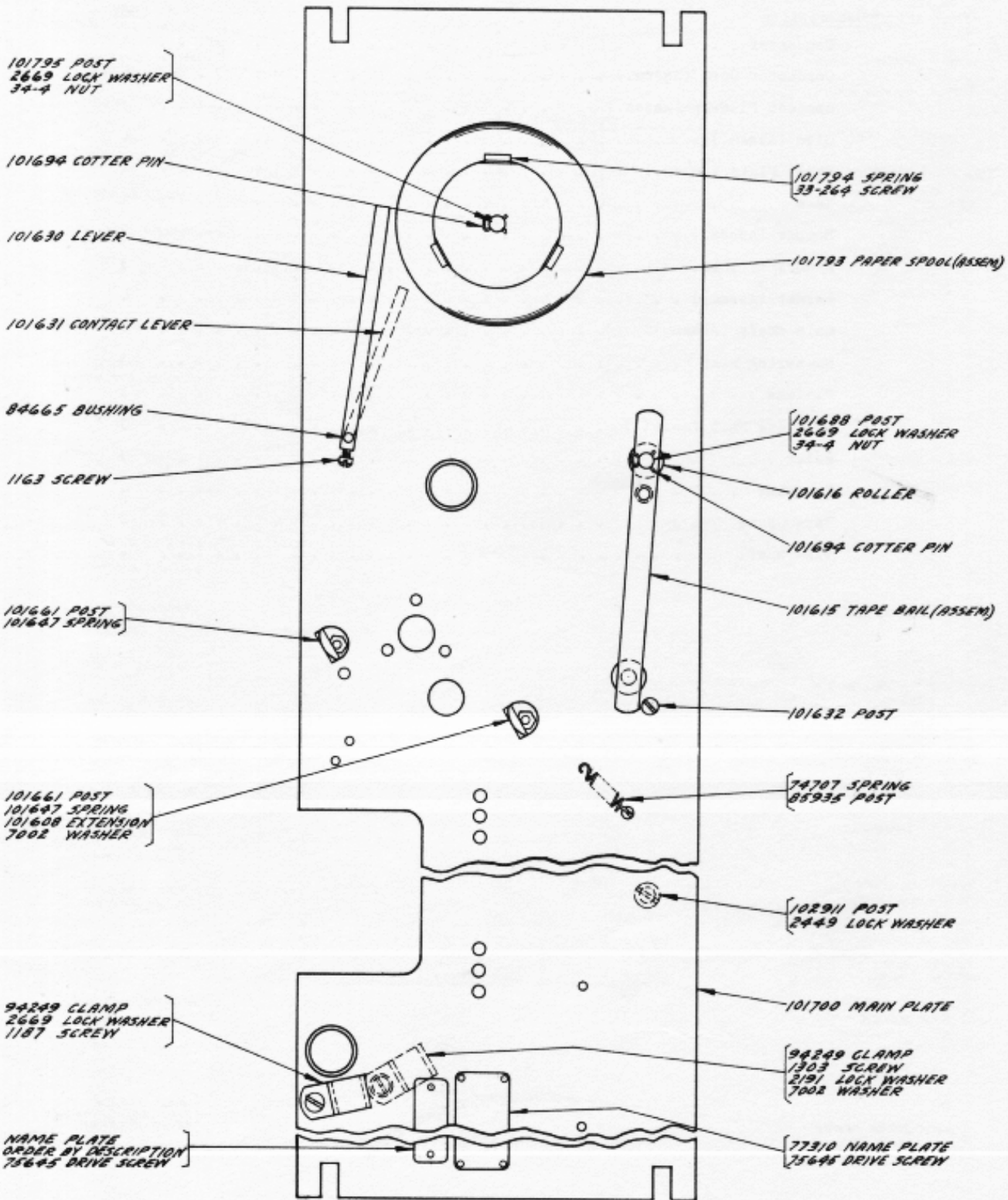
PRINTING TELEGRAPH SYSTEMS

PARTS
MESSAGE TICKETER

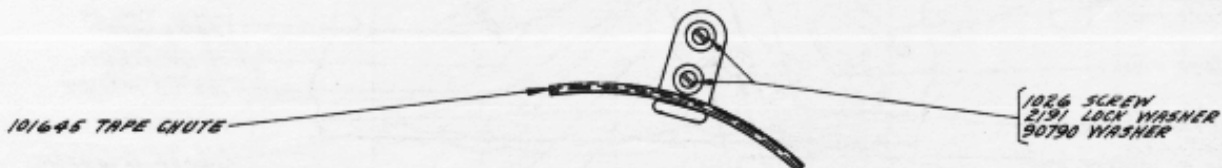
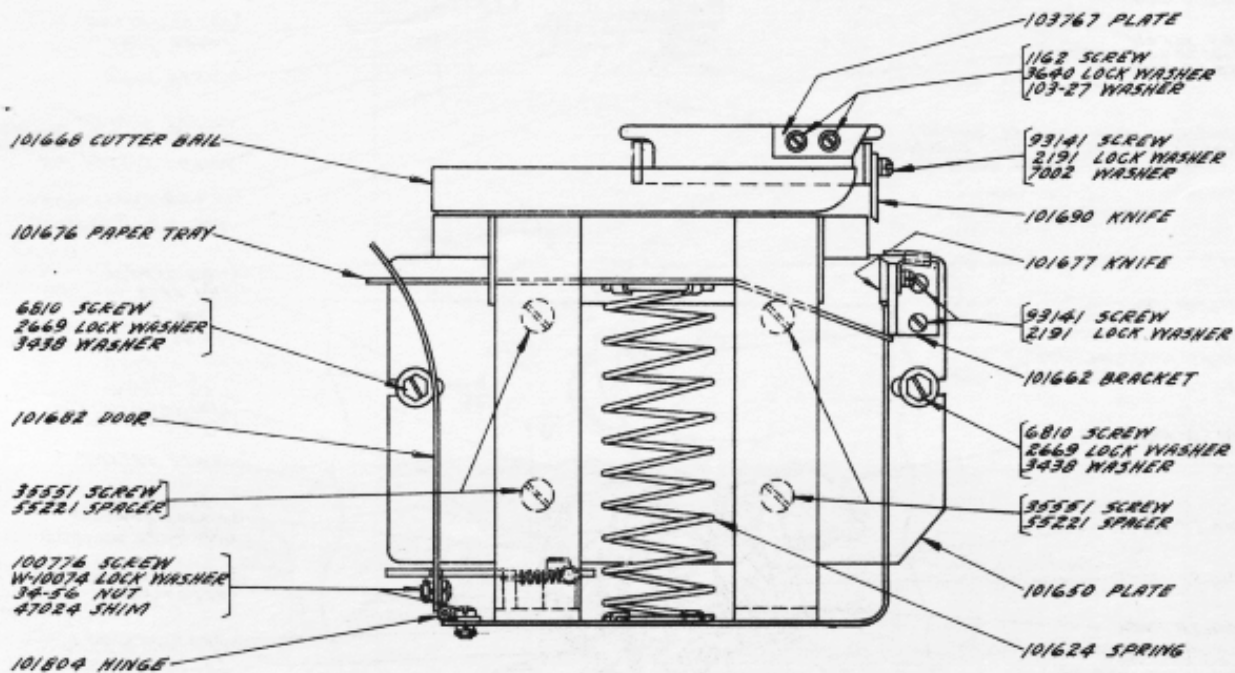
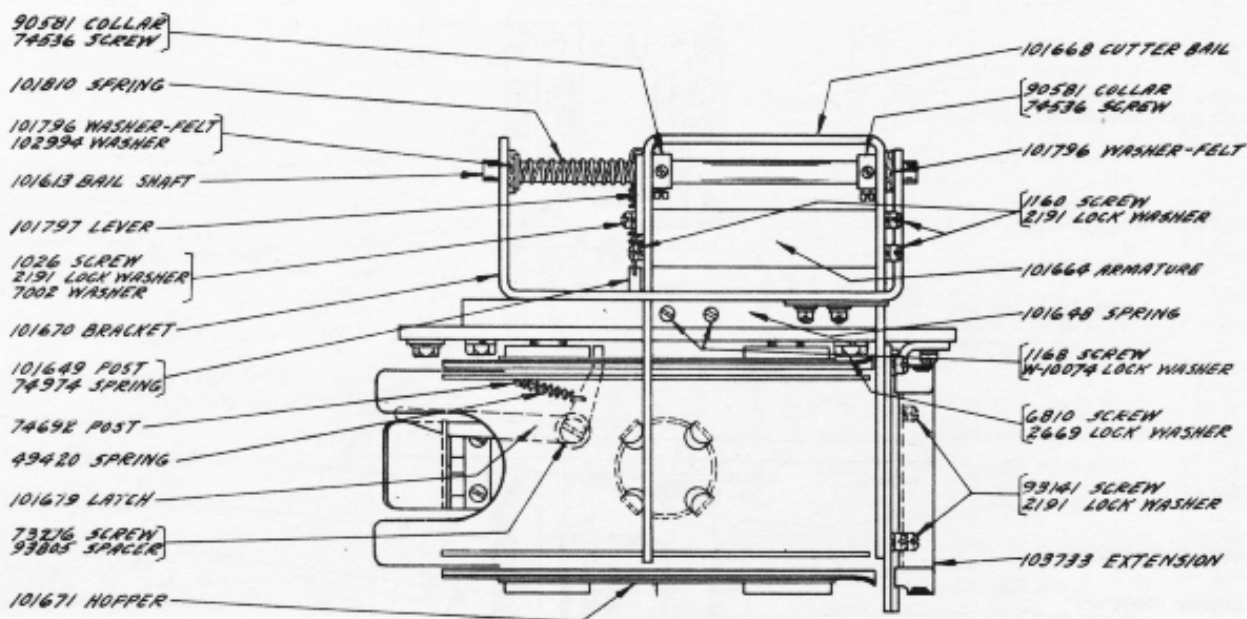


ALPHABETICAL INDEX

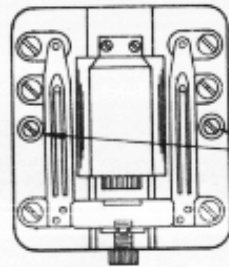
<u>Description</u>	<u>Page</u>
Condenser	4
Conductor Cord (Assem.)	4
Contact Pile-Up (Assem.)	5
Disc (Assem.)	4
Front Plate (Assem.)	1
Gear	4
Hopper (Assem.)	2
Motors	5
Magnet (Assem.)	4
Main Shaft (Assem.)	4
Numbering Band	3
Pinions	5
Printing Unit (Assem.)	3
Relay	3
Resistor	4
Tape Chute	2
Type Wheel	4



FRONT PLATE (ASSEM.)

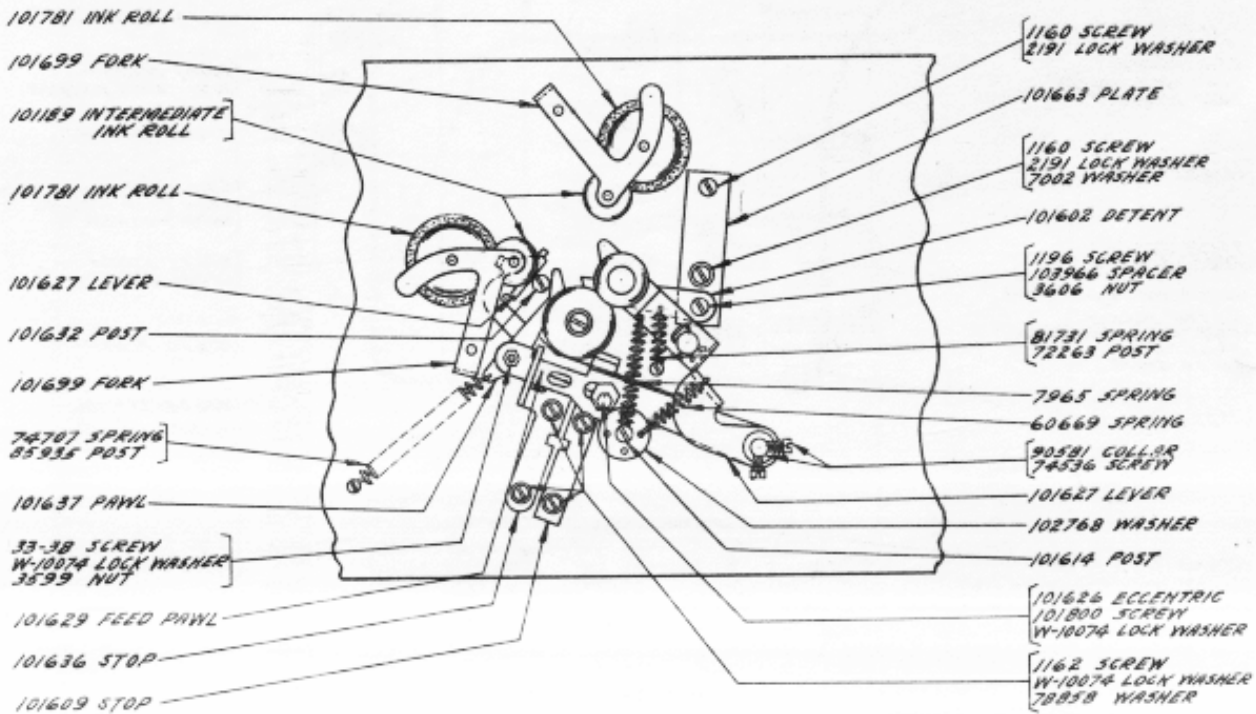
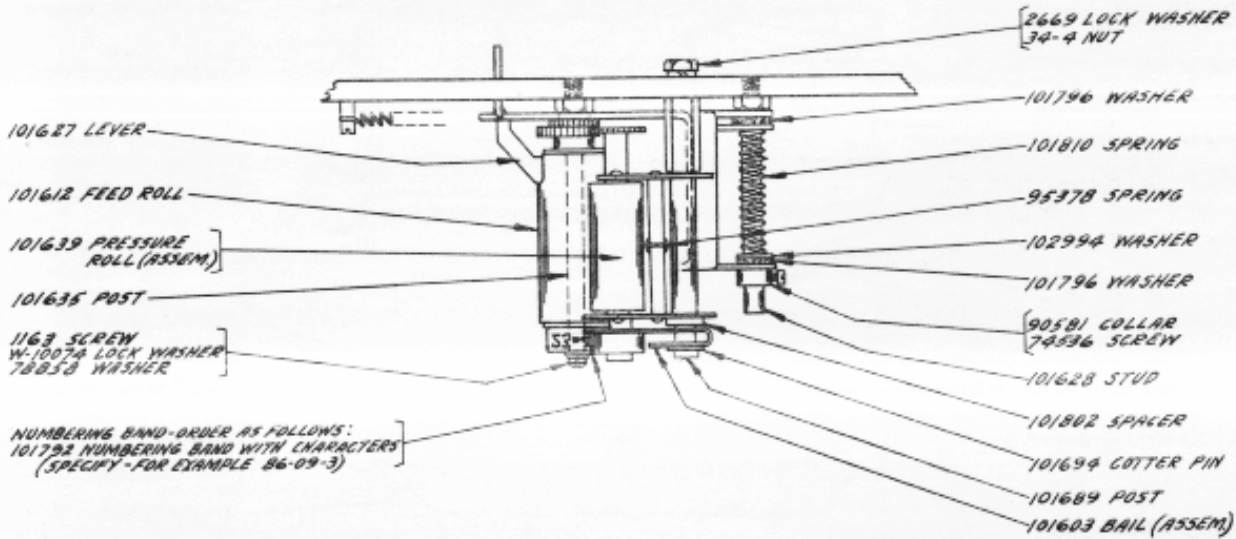


HOPPER (ASSEM.)

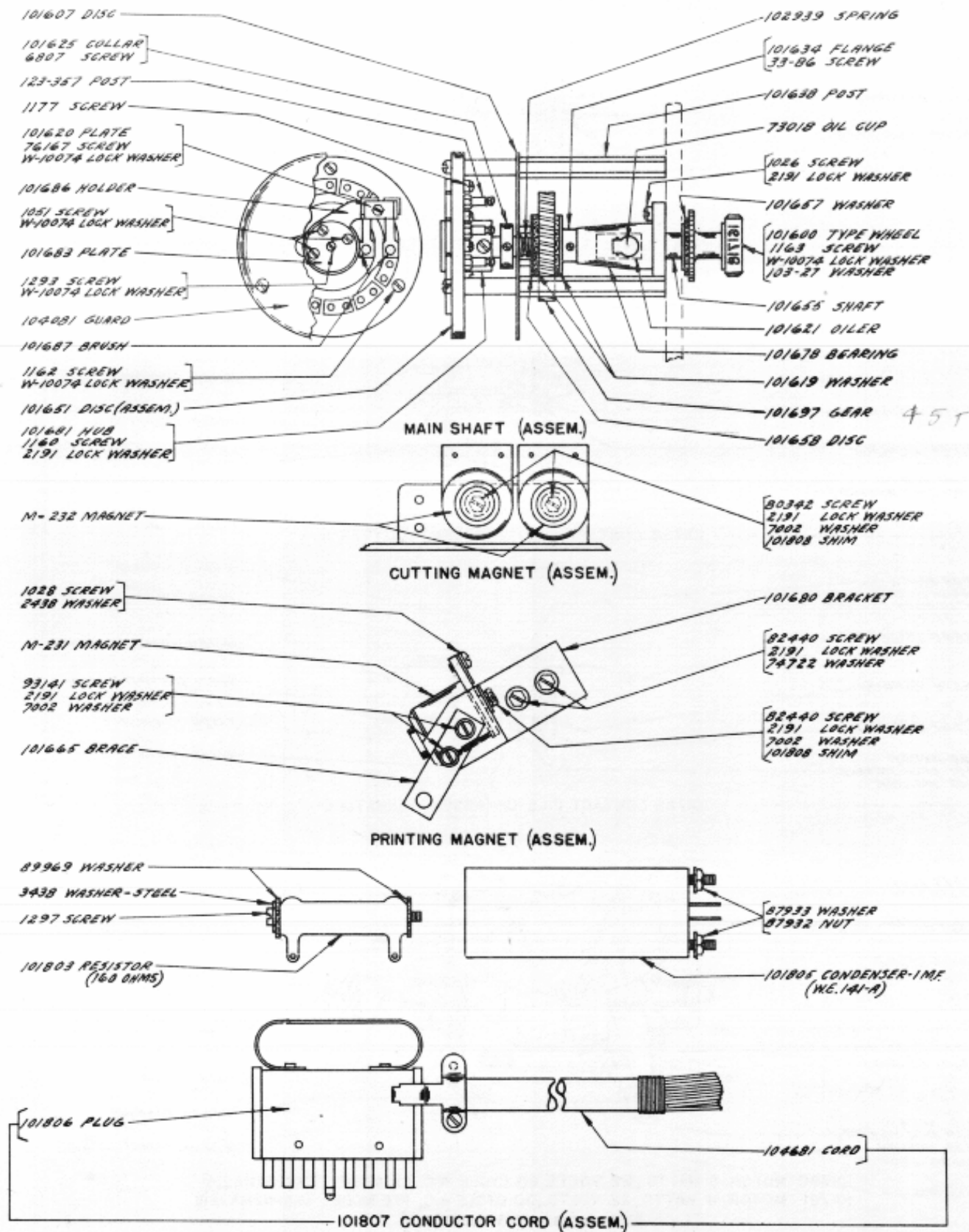


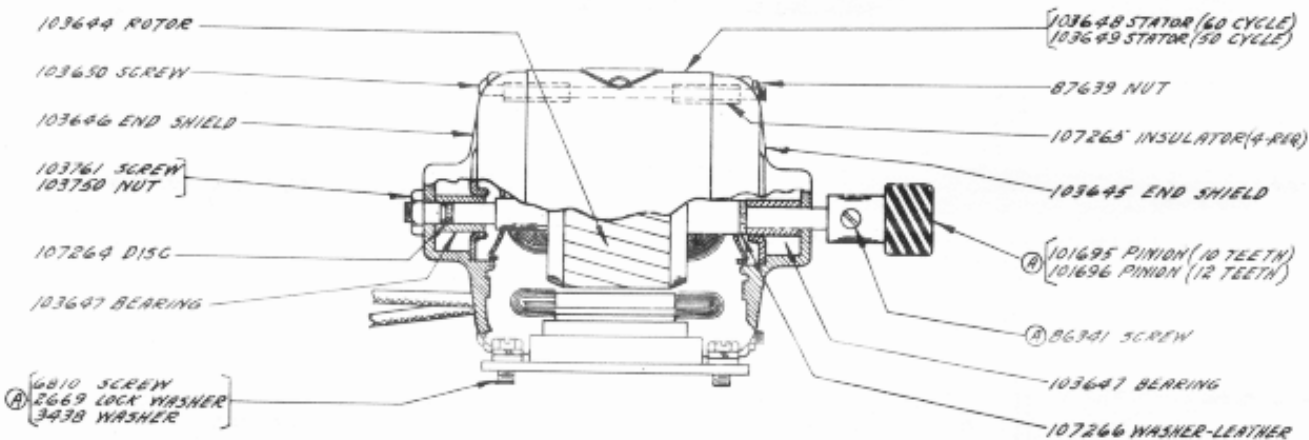
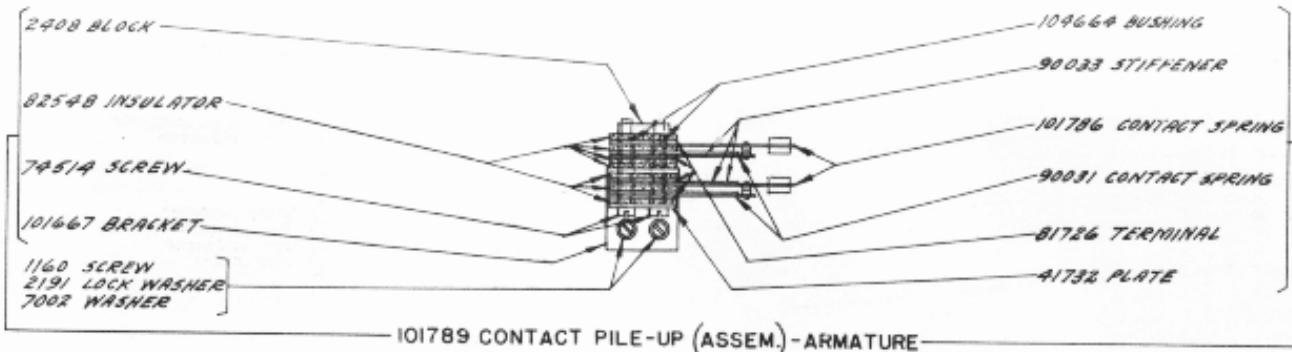
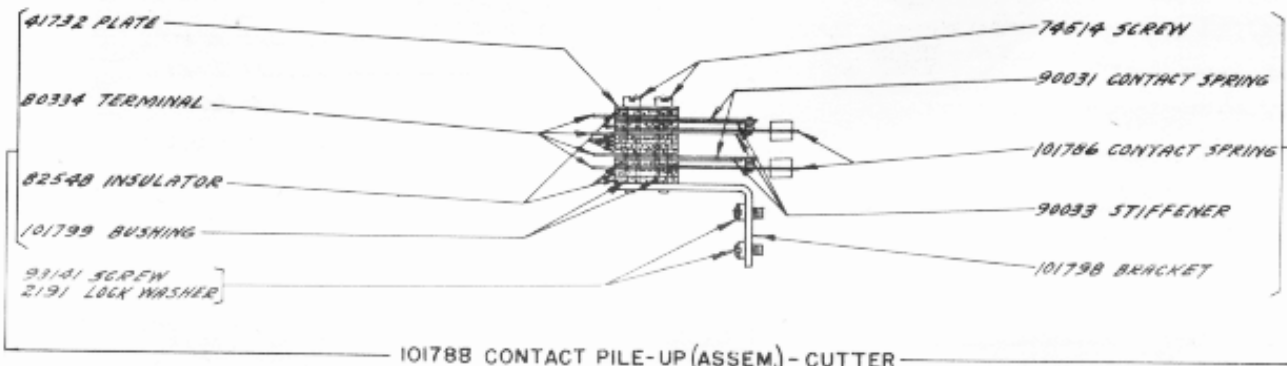
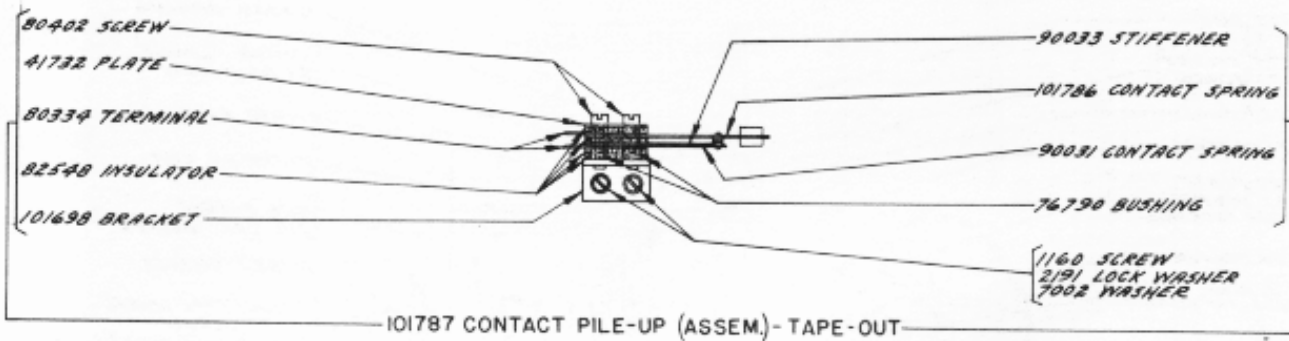
101660 RELAY

1160 SCREW
2191 LOCK WASHER



PRINTING UNIT (ASSEM.)





IO1790 MOTOR, 5 WATTS., 22 VOLTS., 60 CYCLE A.C. (G.E. MODEL 5KSP52HA214)
 IO1791 MOTOR, 4 WATTS., 22 VOLTS., 50 CYCLE A.C. (G.E. MODEL 5KSP52HA228)
 (EXCLUDES PARTS MARKED A)

NUMERICAL INDEX

M-231	Magnet,4	87932	Nut (8-32 Hex.),4	101682	Door,2
M-232	Magnet,4	87933	Washer,4	101683	Washer,4
33-38	Screw (4-40 Shoulder),3	89969	Washer,4	101686	Holder,4
33-86	Screw (4-40 x 1/2),4	90031	Contact Spring,5	101687	Brush,4
33-264	Screw (#5 Wood),1	90033	Stiffener,5	101688	Post,1
34-4	Nut (10-32 Hex.),1,3	90581	Collar,2,3	101689	Post,3
34-56	Nut (6-40 Hex.),2	90790	Washer,2	101690	Knife,2
103-27	Washer,2,4	93141	Screw (6-40 x 7/32),2,4,5	101694	Cotter Pin,1,3
123-357	Post,4	93805	Spacer,2	101695	Pinion (10 teeth),5
1026	Screw (6-40 x 3/8),2,4	94249	Clamp,1	101696	Pinion (12 teeth),5
1028	Screw (4-40 x 1/4),4	95378	Spring,3	101697	Gear,4
1051	Screw (4-40 x 1/2),4	100776	Screw (4-40 x 1/4),2	101698	Bracket,5
1160	Screw (6-40 x 5/16),2,3,4,5	101189	Intermediate Ink Roll,3	101699	Fork,3
1162	Screw (4-40 x 1/4),2,3,4	101600	Type Wheel,4	101700	Main Plate,1
1163	Screw (4-40 x 3/16),1,3,4	101602	Detent,3	101781	Ink Roll,3
1168	Screw (4-40 x 5/16),2	101603	Bail (Assem.),3	101786	Contact Spring,5
1177	Screw (10-32 x 1-11/16),4	101607	Disc,4	101787	Contact Pile-Up (Assem.)
1187	Screw (10-32 x 1/4),1	101608	Extension,1		Tape-Out,5
1196	Screw (6-40 Shoulder),3	101609	Stop,3	101788	Contact Pile-Up (Assem.)
1293	Screw (4-40 x 1/8),4	101612	Feed Roll,3		Cutter,5
1297	Screw (6-40 x 2-7/16),4	101613	Bail Shaft,2	101789	Contact Pile-Up (Assem.)
1303	Screw (6-40 x 13/32),1	101614	Post,3		Armature,5
2191	Lock Washer,1,2,3,4,5	101615	Tape Bail (Assem.),1	101790	Motor, 5 watts, 22 Volts,
2408	Block,5	101616	Roller,1		60 Cycle A.C. (G.E.
2438	Washer,4	101619	washer,4		Model 5KSP52HA214),5
2449	Lock Washer,1	101620	Plate,4	101791	Motor, 4 Watts, 22 Volts,
2669	Lock Washer,1,2,3,5	101621	Oiler,4		50 Cycle A.C. (G.E.
3438	Washer - Steel,2,4,5	101624	Spring,2		Model 5KSP52HA228),5
3599	Nut (4-40 Hex.),3	101625	Collar,4	101792	Numbering Band,3
3606	Nut (6-40 Hex.),3	101626	Eccentric,3	101793	Paper Spool (Assem.),1
3640	Lock Washer,2	101627	Lever,3	101794	Spring,1
6807	Screw (6-40 Set),4	101628	Stui,3	101795	Post,1
6810	Screw (10-32 x 3/8),2,5	101629	Feed Pawl,3	101796	Washer - Felt,2,3
7002	Washer,1,2,3,4,5	101630	Lever,1	101797	Lever,2
7965	Spring,3	101631	Contact Lever,1	101798	Bracket,5
W-10074	Lock Washer,2,3,4	101632	Post,1,3	101799	Bushing,5
35551	Screw (10-32 x 3/8),2	101634	Flange,4	101800	Screw (4-40 x .328),3
41732	Plate,5	101635	Post,3	101802	Spacer,3
47024	Shim,2	101636	Stop,3	101803	Resistor,4
49420	Spring,2	101637	Pawl,3	101804	Hinge,2
55221	Spacer,2	101638	Post,4	101805	Condenser - 1 M.P.
60669	Spring,3	101639	Pressure Roll (Assem.),3		(W.E. 141-A),4
72263	Post,3	101645	Tape Chute,2	101806	Plug,4
73018	Oil Cup,4	101647	Spring,1	101807	Conductor Cord (Assem.),4
73276	Screw (6-40 Shoulder),2	101648	Spring,2	101808	Shim,4
74514	Screw (4-40 x 55/64),5	101649	Post,2	101810	Spring,2,3
74536	Screw (6-40 x 5/32),2,3	101650	Plate,2	102768	Washer,3
74692	Post,2	101651	Disc (Assem.),4	102911	Post,1
74707	Spring,1,3	101655	Shaft,4	102939	Spring,4
74722	Washer,4	101657	Washer,4	102994	Washer,2,3
74974	Spring,2	101658	Disc,4	103644	Rotor,5
75645	Drive Screw,1	101660	Relay,3	103645	Eni Shield,5
76167	Screw (4-40 x 3/16),4	101661	Post,1	103646	Eni Shield,5
76790	Bushing,5	101662	Bracket,2	103647	Bearing,5
77310	Name Plate,1	101663	Plate,3	103648	Stator (60 cycle),5
78858	Washer,3	101664	Armature,2	103649	Stator (50 cycle),5
80334	Terminal,5	101665	Brace,4	103650	Screw (6-40 x 3-1/4),5
80342	Screw (6-40 x 23/64),4	101667	Bracket,5	103733	Extension,2
80402	Screw (4-40 x 15/32),5	101668	Cutter Bail,2	103750	Nut (Special),5
81726	Terminal,5	101670	Bracket,2	103761	Screw (12-28 Set),5
81731	Spring,3	101671	Hopper,2	103767	Plate,2
82440	Screw (6-40 x 7/16),4	101676	Paper Tray,2	103966	Spacer,3
82548	Insulator,5	101677	Knife,2	104081	Guard,4
84665	Bushing,1	101678	Bearing,4	104664	Bushing,5
85935	Post,1,3	101679	Latch,2	104681	Cord,4
86341	Screw (Special),5	101680	Bracket,4	107264	Disc,5
87639	Nut (6-40 Hex.),5	101681	Hub,4	107265	Insulator,5
				107266	Washer - leather,5

10