

BULLETIN No. 1120
ISSUE I
MARCH, 1944

TELETYPE

PRINTING TELEGRAPH SYSTEMS

PARTS

PORTABLE SIGNAL DISTORTION TEST SET
(CODE DISC OPERATED)

SIGNAL CORPS TEST SET TS-2/TG

TELETYPE

ED57GG SIGNAL DISTORTION TEST UNIT
WITH 107009 CHEST



REG. U. S. PAT. OFF.
CORPORATION

SUBSIDIARY OF

Western Electric Company

CHICAGO, U. S. A.

PRINTED IN U. S. A.

ALPHABETICAL INDEX

| DESCRIPTION | PAGE NO. | DESCRIPTION | PAGE NO. |
|--|----------|--|----------|
| Base - - - - - | 1 | Guard and Pointer - - - - - | 6 |
| Base Plate - - - - - | 1 | Intermediate Shaft (Assem.) - - - - - | 2 |
| Belt - - - - - | 5 | Jacks - - - - - | 5 |
| Brush Holder (Assem.) - - - - - | 3 | Knobs - - - - - | 5 |
| Brush Spring - with brushes - - - - - | 3,11 | Lord Mountings - - - - - | 11 |
| Cables - - - - - | 1,8 | Main Shaft (Assem.) - - - - - | 3 |
| Cable Clamps - - - - - | 1,5 | Main Shaft Bracket (Assem.) - - - - - | 3 |
| Cable Cover - - - - - | 1 | Motor - - - - - | 8 |
| Center Contact Governor (Assem.) - - - - - | 9 | Motor - Governor Filter (Assem.) - - - - - | 7 |
| Chest (Assem.) - - - - - | 10,11 | Name Plates - - - - - | 1,5 |
| Code Discs - - - - - | 2 | Numerical Index - - - - - | 12 |
| Code Disc Bearing (Assem.) - - - - - | 2 | Pinions - - - - - | 2,3,8 |
| Condenser - - - - - | 6,7 | Plugs - Cords - - - - - | 6 |
| Contact Levers - - - - - | 2 | Power Leads Filter (Assem.) - - - - - | 7 |
| Contact Lever Bracket (Assem.) - - - - - | 2 | Resistors - - - - - | 5,6,7 |
| Contact Screw Bridge (Assem.) - - - - - | 2 | Resistor Unit (Assem.) - - - - - | 7 |
| Cords (Assem.) - - - - - | 6 | Sandpaper - - - - - | 11 |
| Disc (Assem.) - - - - - | 3 | Switches - Toggle - - - - - | 1,5 |
| Distortion Switch (Assem.) - - - - - | 4 | Receptacle - - - - - | 1 |
| Filter (Assem.) - - - - - | 7 | Target - - - - - | 9 |
| Fusetron - - - - - | 1,11 | Target Lamp - - - - - | 5,11 |
| Gears - - - - - | 2,3,8 | Terminal Blocks (Assem.) - - - - - | 2,6,7 |
| Governor Brush Bracket (Assem.) - - - - - | 9 | Top Plate - - - - - | 5 |
| Governor Parts - - - - - | 9 | Toggle Switches - - - - - | 1,5 |
| Guards - - - - - | 1,6 | Transmitting Brushes Filter (Assem.) - - - - - | 7 |

107267 BASE - BLACK GLOSS

107312 BASE PLATE
(WITH INSULATOR)
SEE PAGE 11 FOR
LORD MOUNTINGS

72655 SCREW
3646 LOCKWASHER

107286 FUJETRON - 1.6 AMP

92556 RECEPTACLE

6035 SCREW
2846 WASHER -
84354 SPACER

78301 SCREW
2382 LOCK WASHER
3438 WASHER

74803 CABLE CLAMP

6811 SCREW
2131 LOCKWASHER
7002 WASHER

84753 GUARD-PINION

8543 SCREW
2131 LOCKWASHER

107057 CABLE COVER

8559 SCREW
2131 LOCKWASHER
7002 WASHER
44041 SPACER

91683 NUT (HEX)
31684 NUT (RING)

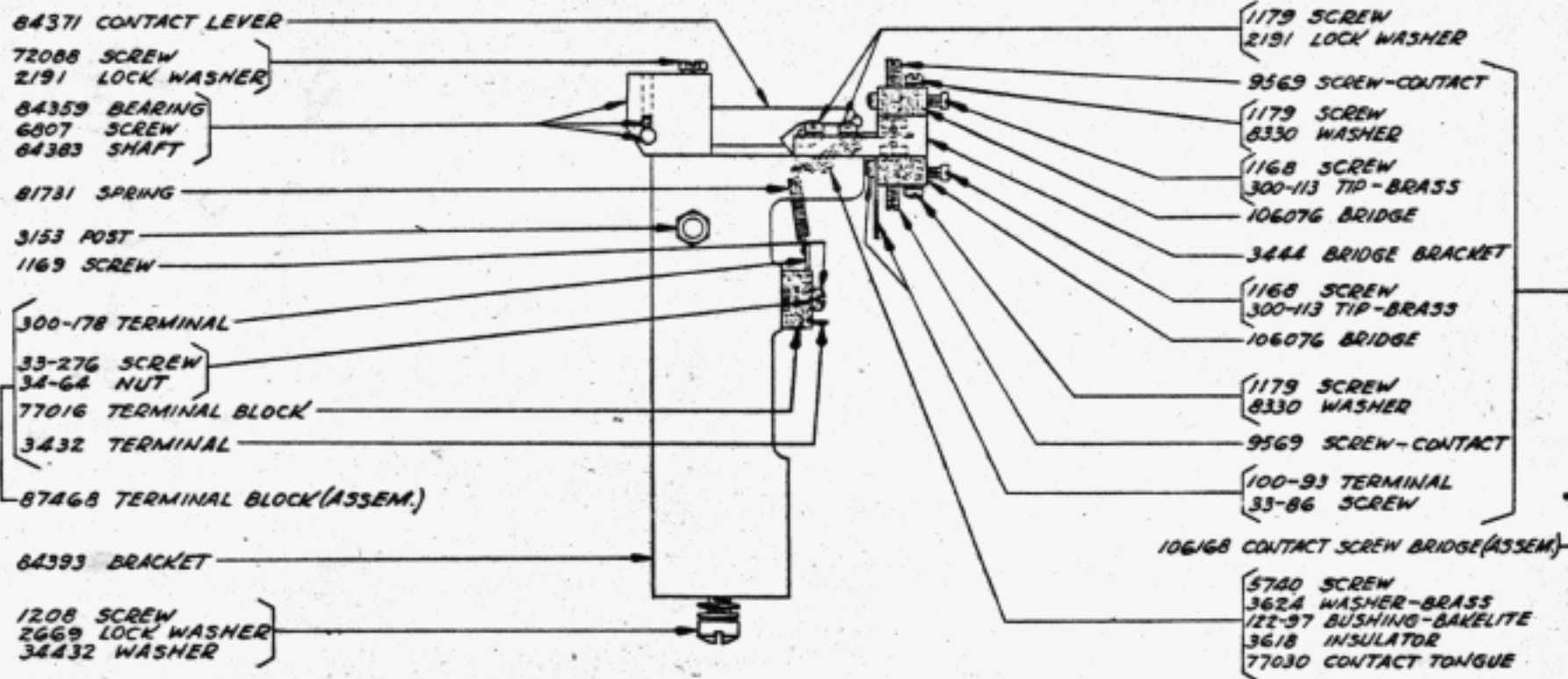
31755 TOGGLE SWITCH

98816 NAME PLATE

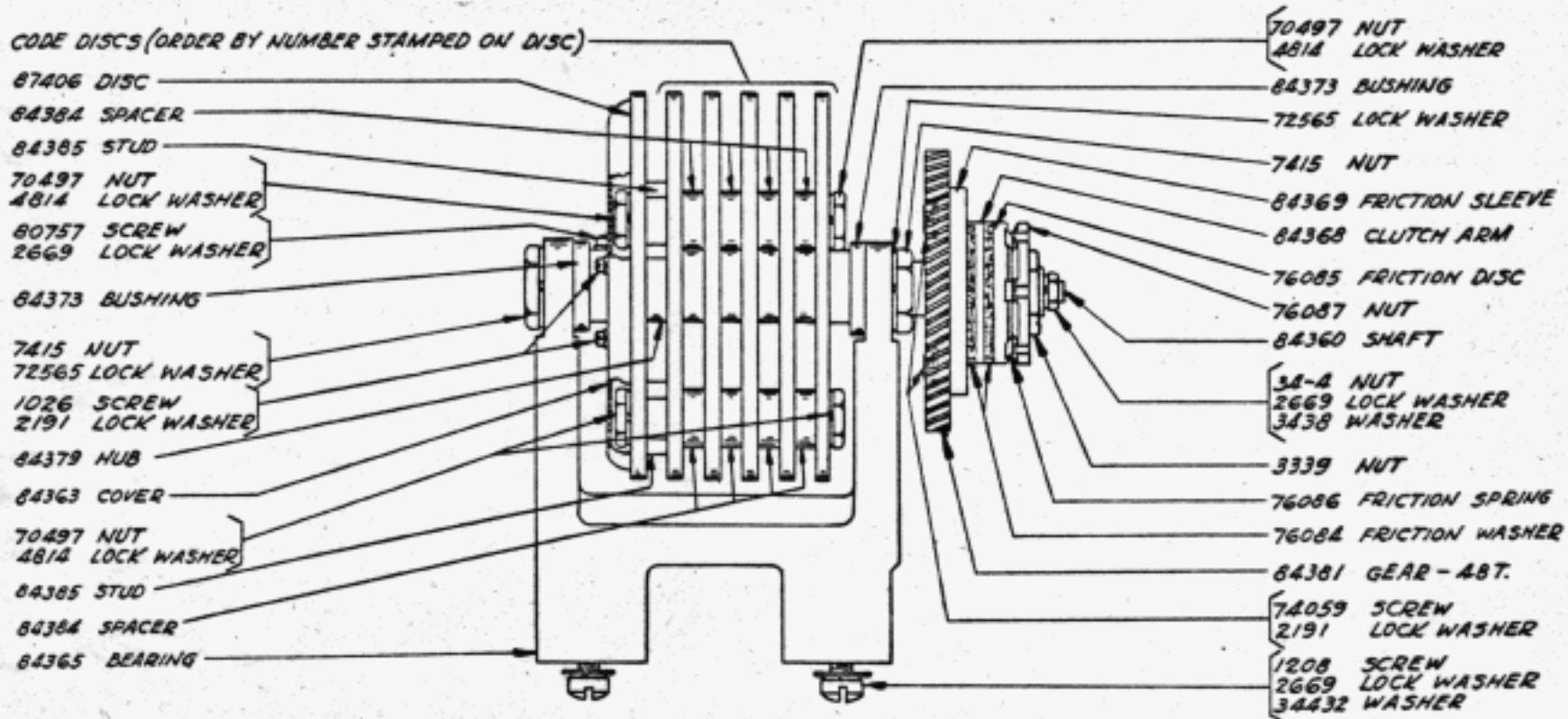
87636 SCREW

BASE

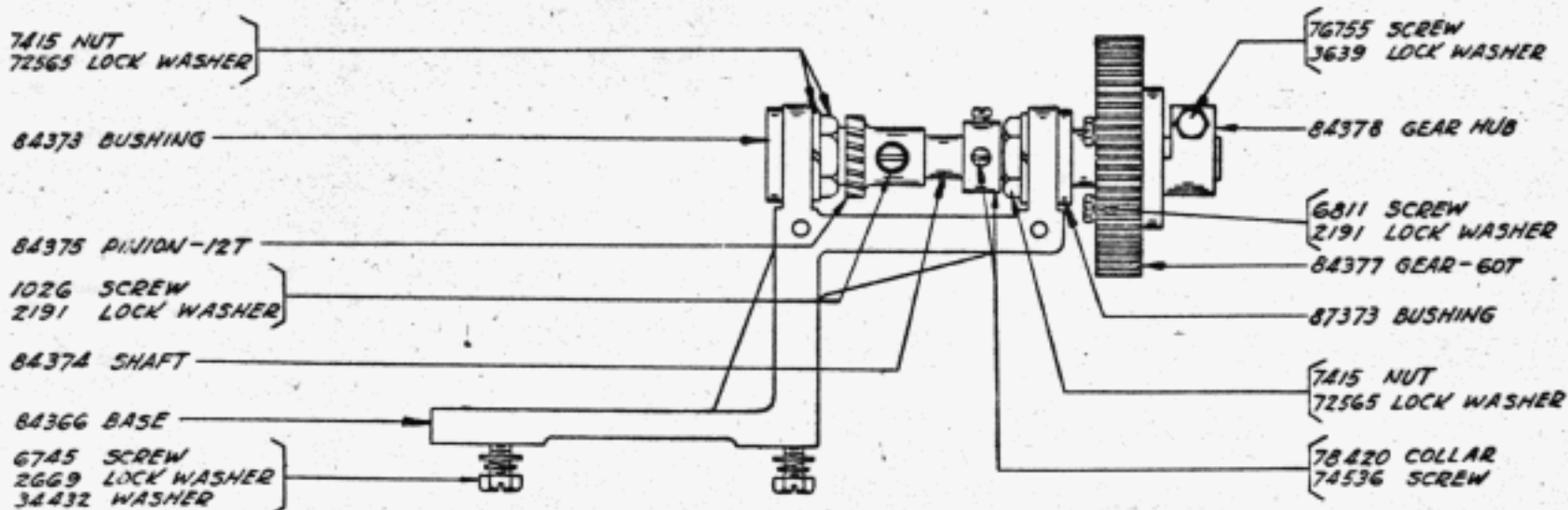
107088 LINE CABLE
107089 MOTOR CABLE
107090 TEST CIRCUIT CABLE
(W.D.-2265)



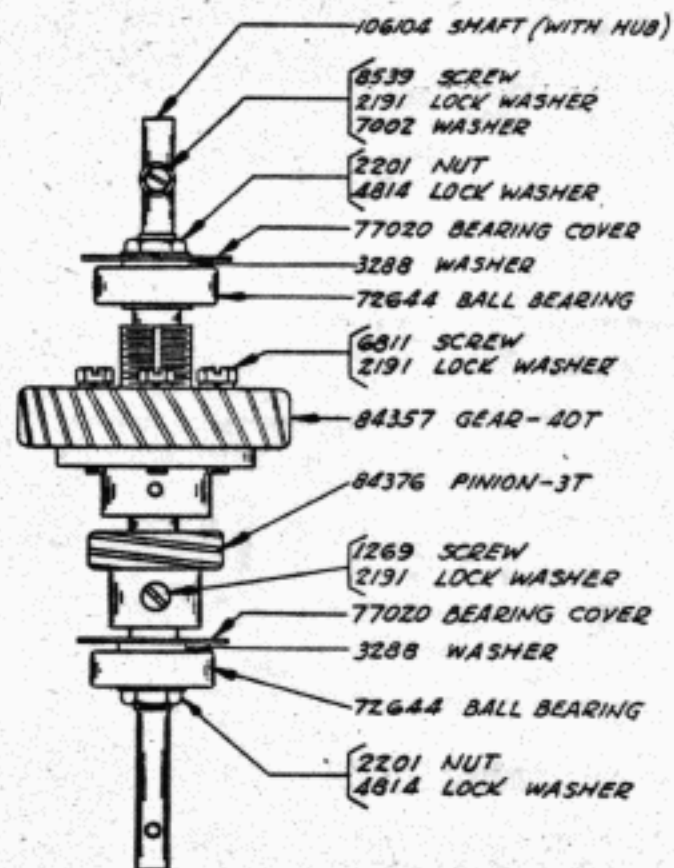
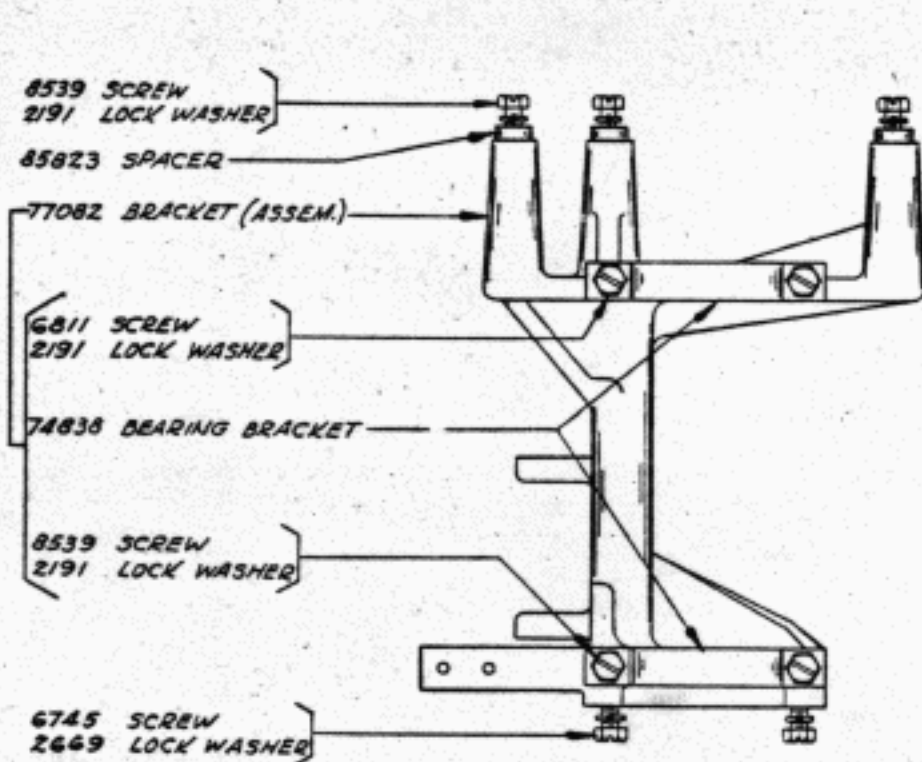
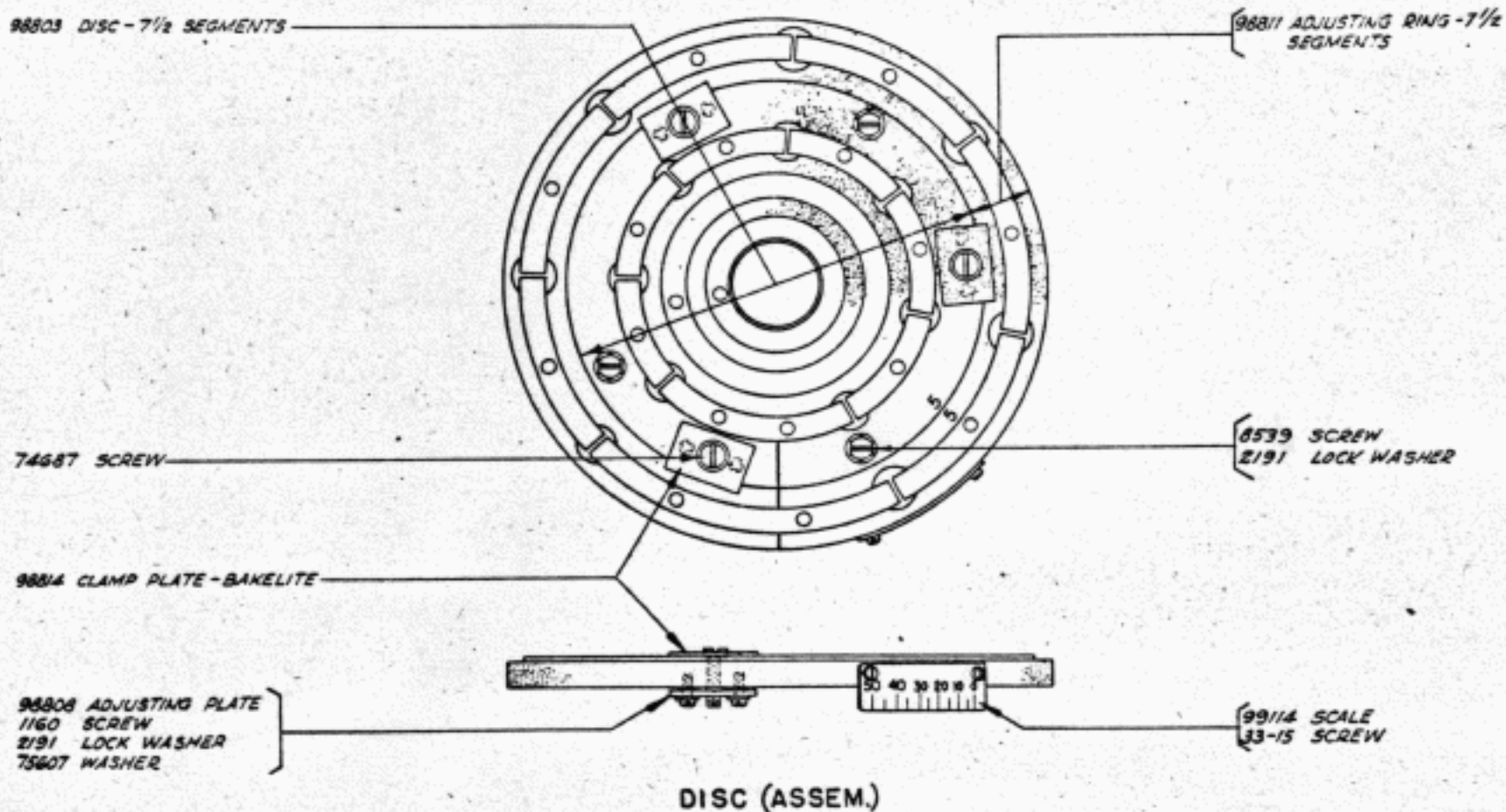
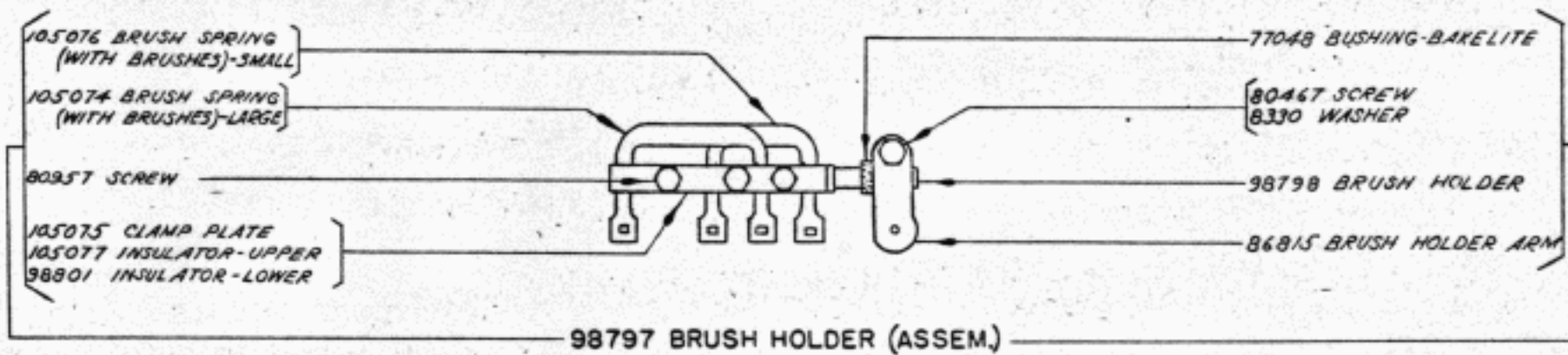
CONTACT LEVER BRACKET (ASSEM.)

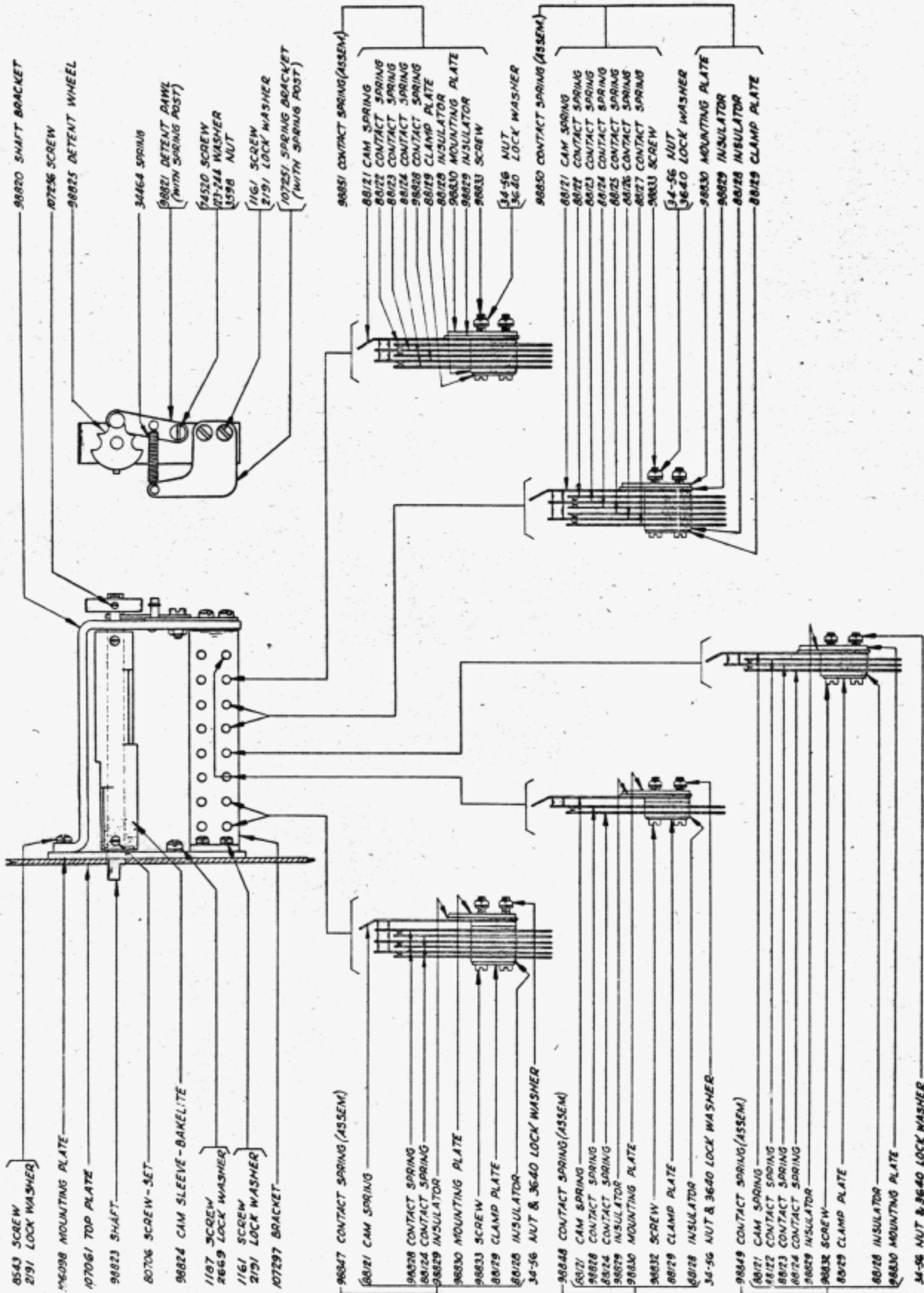


CODE DISC BEARING (ASSEM.)



INTERMEDIATE SHAFT (ASSEM.)





- 0543 SCREW
- 2191 LOCK WASHER
- 16098 MOUNTING PLATE
- 107061 TOP PLATE
- 98823 SHAFT
- 80706 SCREW - SET
- 98824 CAM SLEEVE - BAKELITE
- 1187 SCREW
- 2669 LOCK WASHER
- 1161 SCREW
- 2191 LOCK WASHER
- 107297 BRACKET

- 98847 CONTACT SPRING (ASSEM.)
- 88121 CAM SPRING
- 98828 CONTACT SPRING
- 88124 CONTACT SPRING
- 98829 INSULATOR
- 98830 MOUNTING PLATE
- 98833 SCREW
- 88129 CLAMP PLATE
- 88128 INSULATOR
- 34-56 NUT & 36-60 LOCK WASHER

- 98848 CONTACT SPRING (ASSEM.)
- 88121 CAM SPRING
- 98828 CONTACT SPRING
- 88124 CONTACT SPRING
- 98829 INSULATOR
- 98830 MOUNTING PLATE
- 98832 SCREW
- 88129 CLAMP PLATE
- 88128 INSULATOR
- 34-56 NUT & 36-60 LOCK WASHER

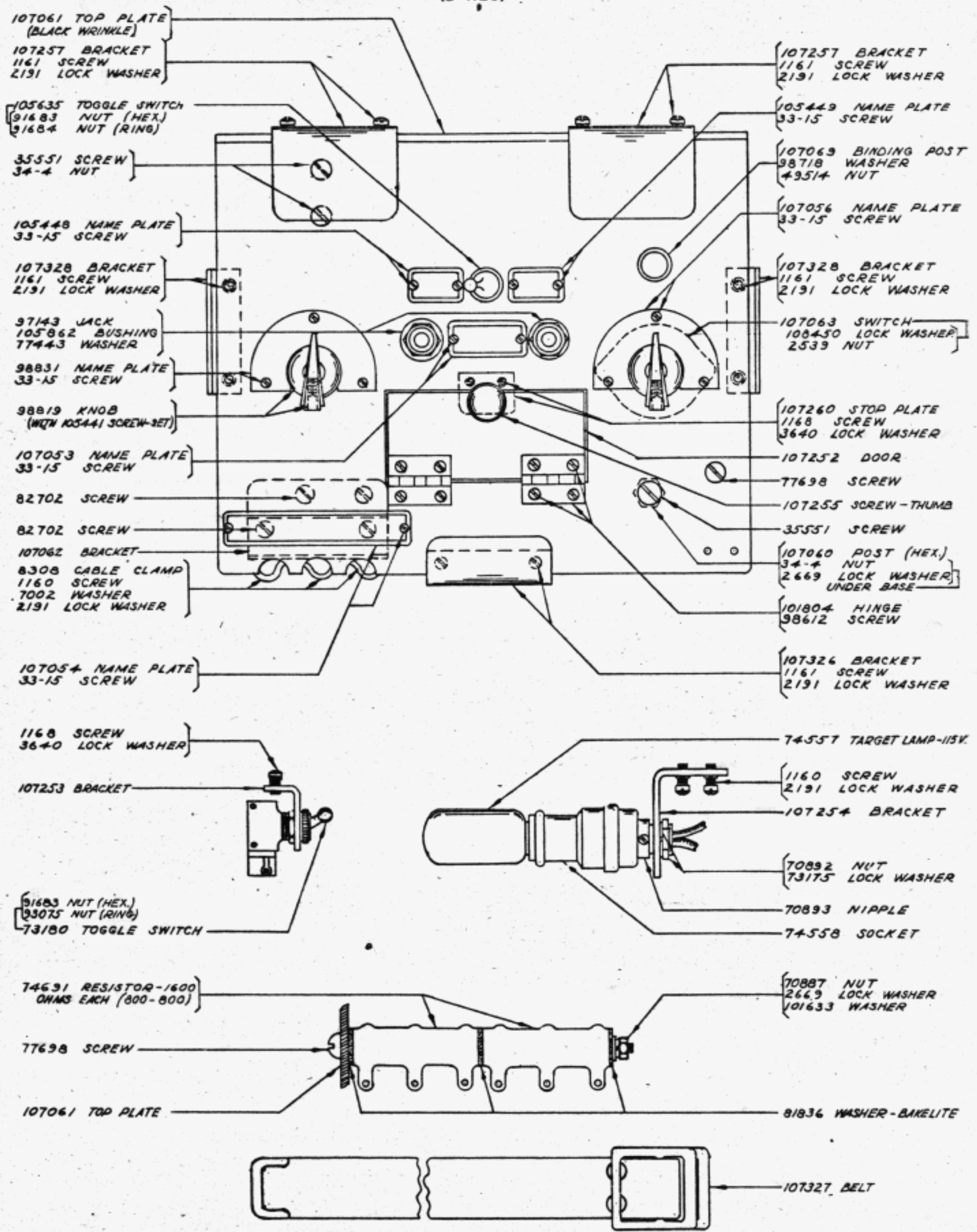
- 98849 CONTACT SPRING (ASSEM.)
- 88121 CAM SPRING
- 88122 CONTACT SPRING
- 88123 CONTACT SPRING
- 88124 CONTACT SPRING
- 98829 INSULATOR
- 98832 SCREW
- 88129 CLAMP PLATE
- 88128 INSULATOR
- 98830 MOUNTING PLATE
- 34-56 NUT & 36-60 LOCK WASHER

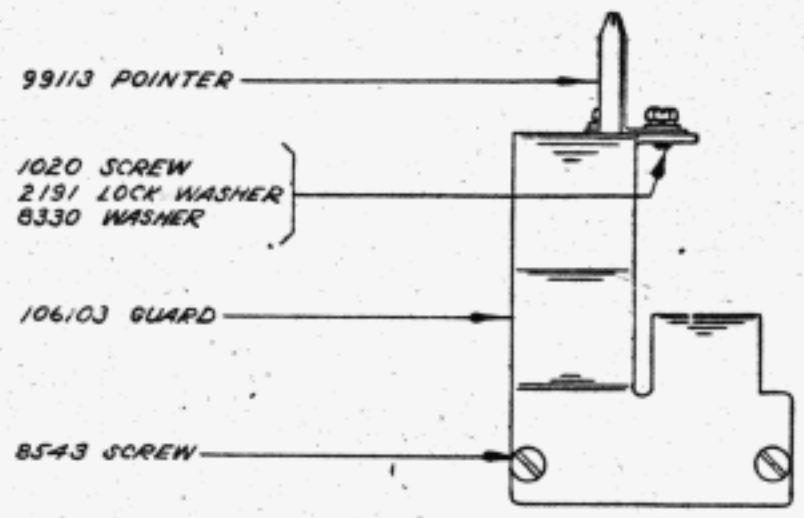
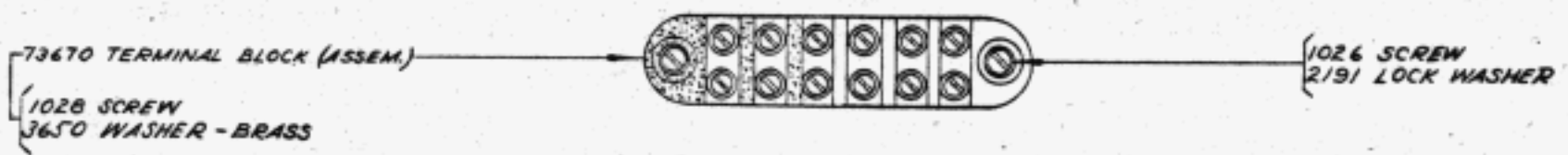
- 98820 SHAFT BRACKET
- 107296 SCREW
- 98825 DETENT WHEEL
- 3446-4 SPRING
- 98821 DETENT PIN (WITH SPRING POST)
- 14520 SCREW
- 107244 WASHER
- 1598 NUT
- 1161 SCREW
- 2191 LOCK WASHER
- 107251 SPRING BRACKET (WITH SPRING POST)

- 98851 CONTACT SPRING (ASSEM.)
- 88121 CAM SPRING
- 88122 CONTACT SPRING
- 88123 CONTACT SPRING
- 88124 CONTACT SPRING
- 98828 CONTACT SPRING
- 88129 CLAMP PLATE
- 88128 INSULATOR
- 98830 MOUNTING PLATE
- 98829 INSULATOR
- 98833 SCREW
- 34-56 NUT
- 36-60 LOCK WASHER
- 98850 CONTACT SPRING (ASSEM.)

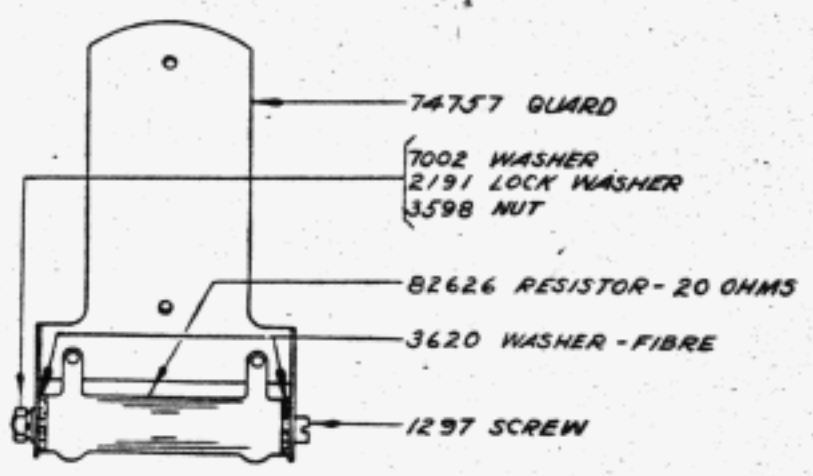
- 88121 CAM SPRING
- 88122 CONTACT SPRING
- 88123 CONTACT SPRING
- 88124 CONTACT SPRING
- 88125 CONTACT SPRING
- 88126 CONTACT SPRING
- 88127 CONTACT SPRING
- 98833 SCREW
- 34-56 NUT
- 36-60 LOCK WASHER
- 98830 MOUNTING PLATE
- 98829 INSULATOR
- 88128 INSULATOR
- 88129 CLAMP PLATE

DISTORTION SWITCH (ASSEM.)

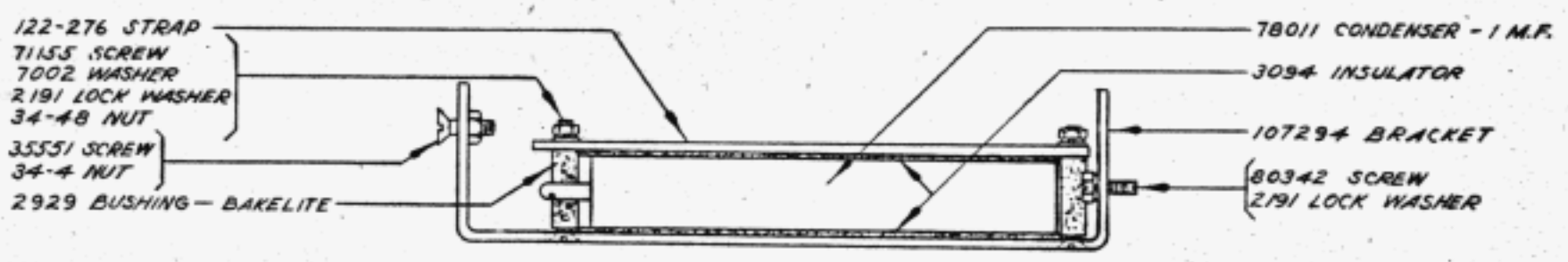




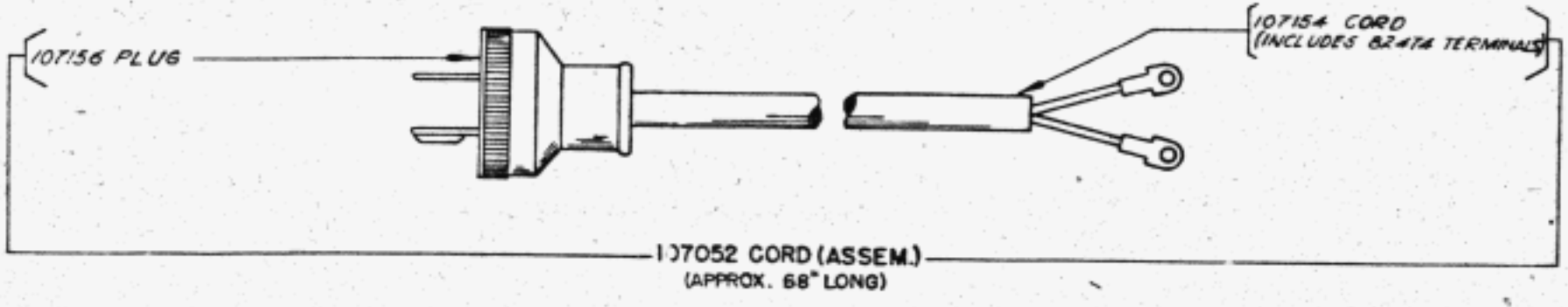
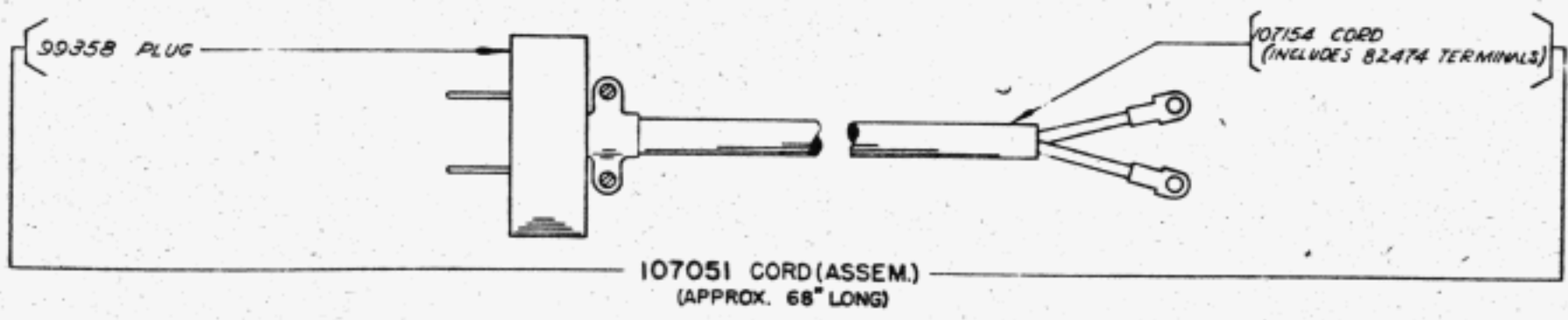
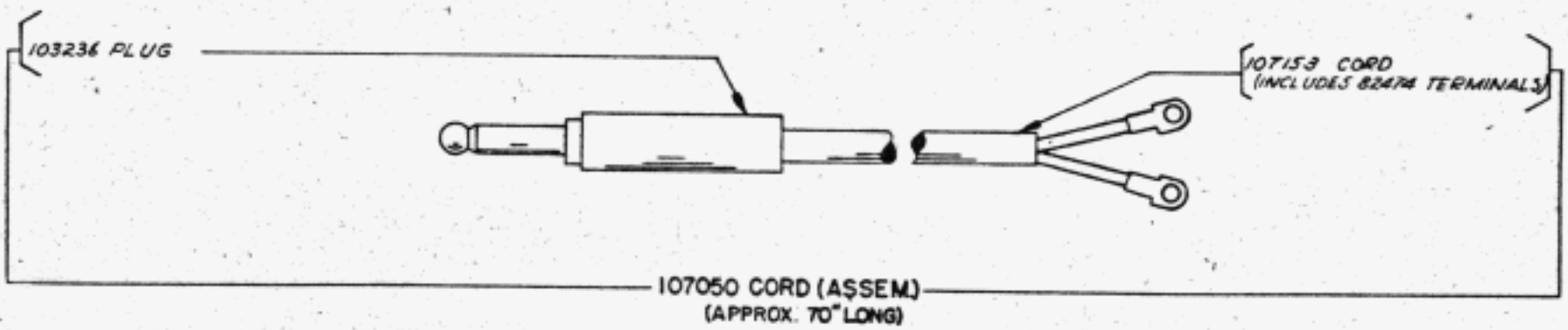
GUARD & POINTER

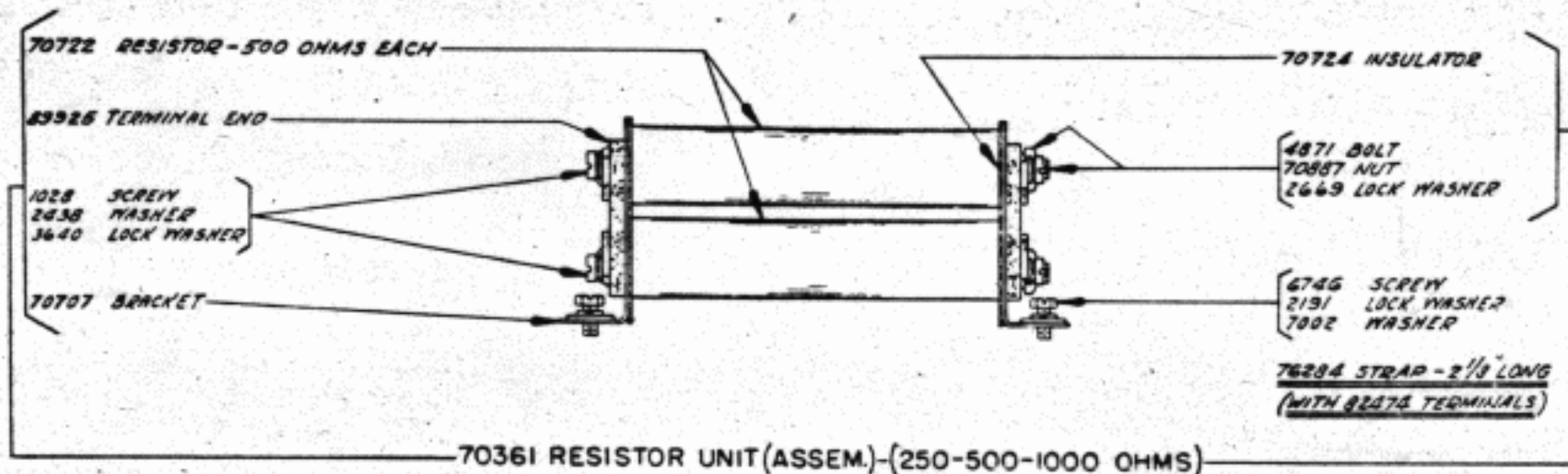
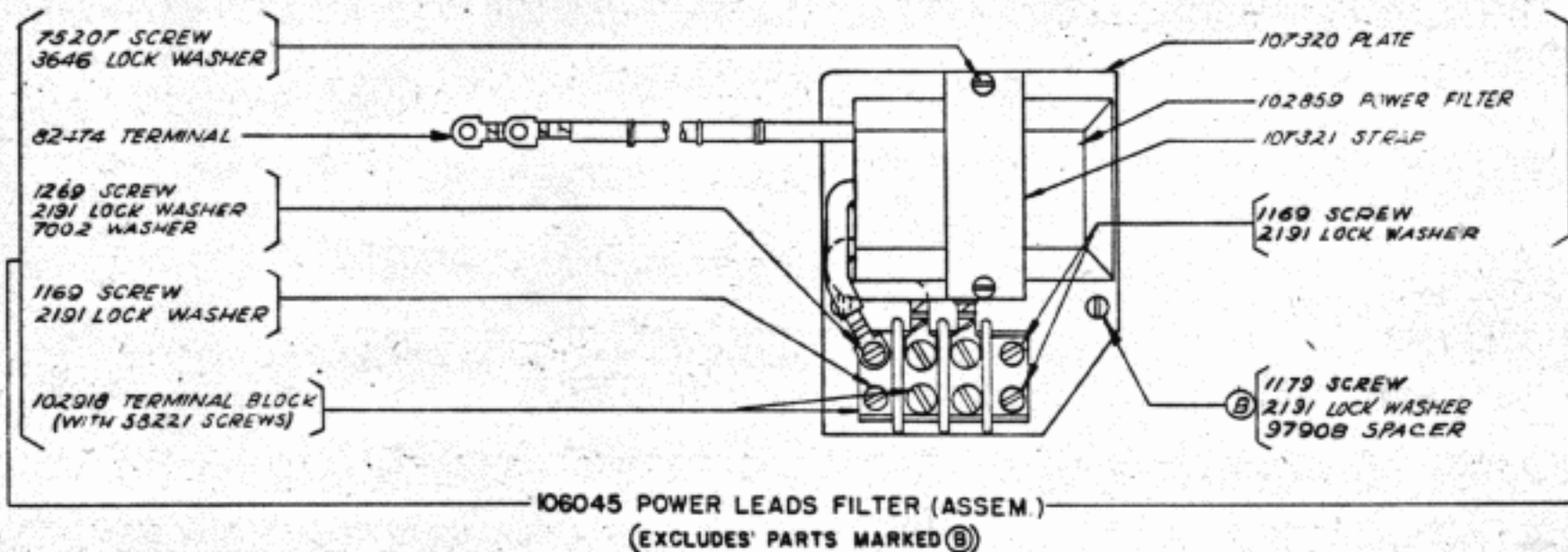
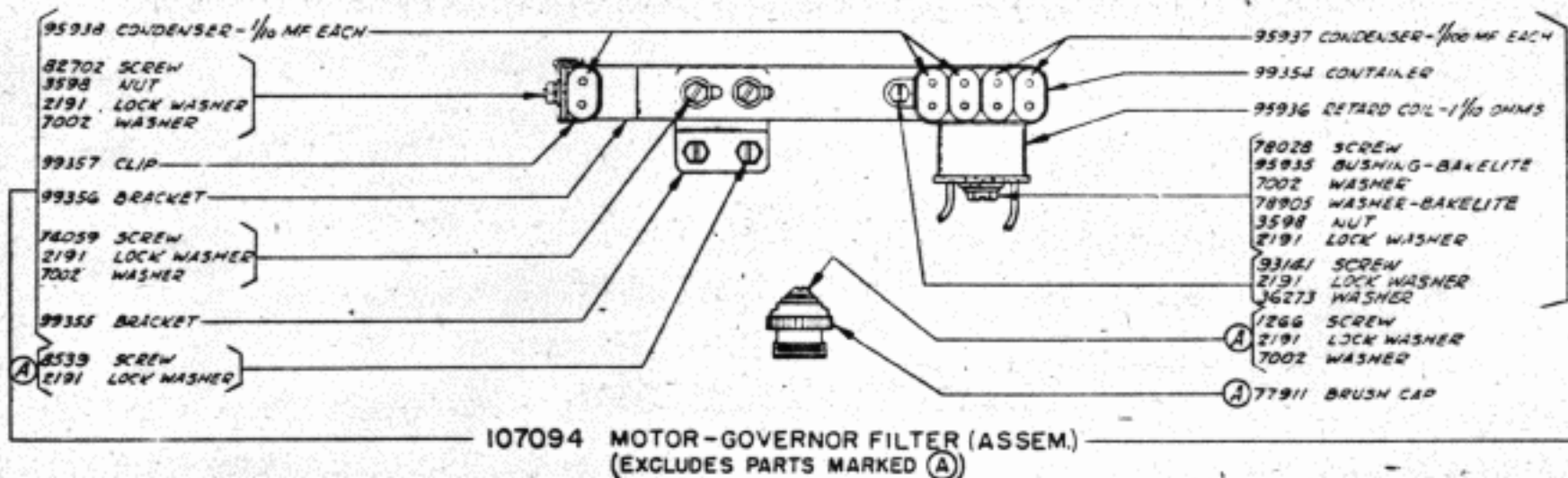
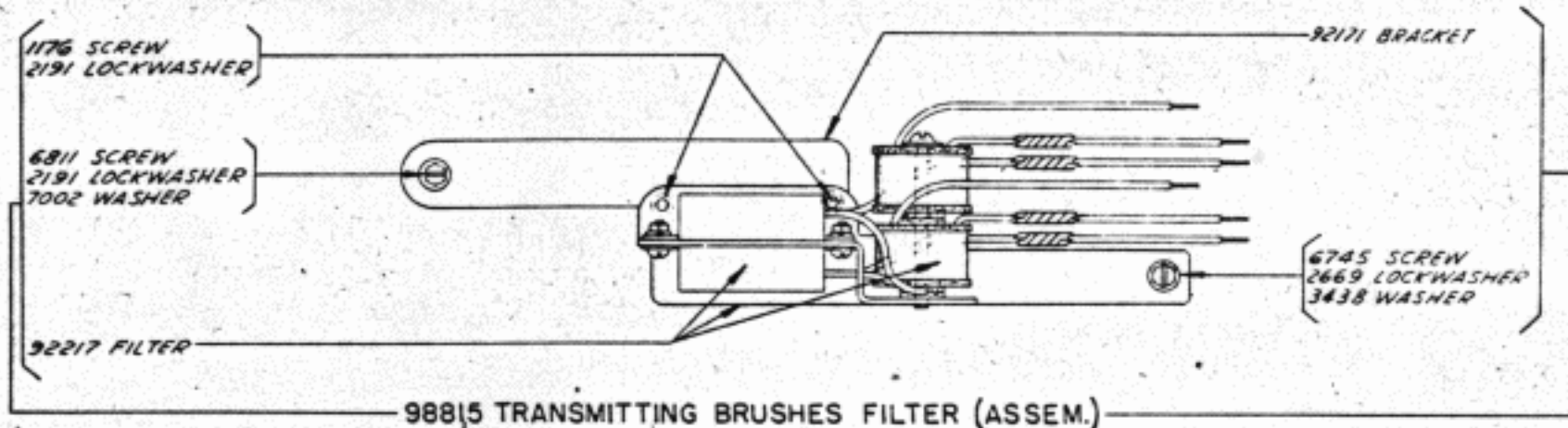


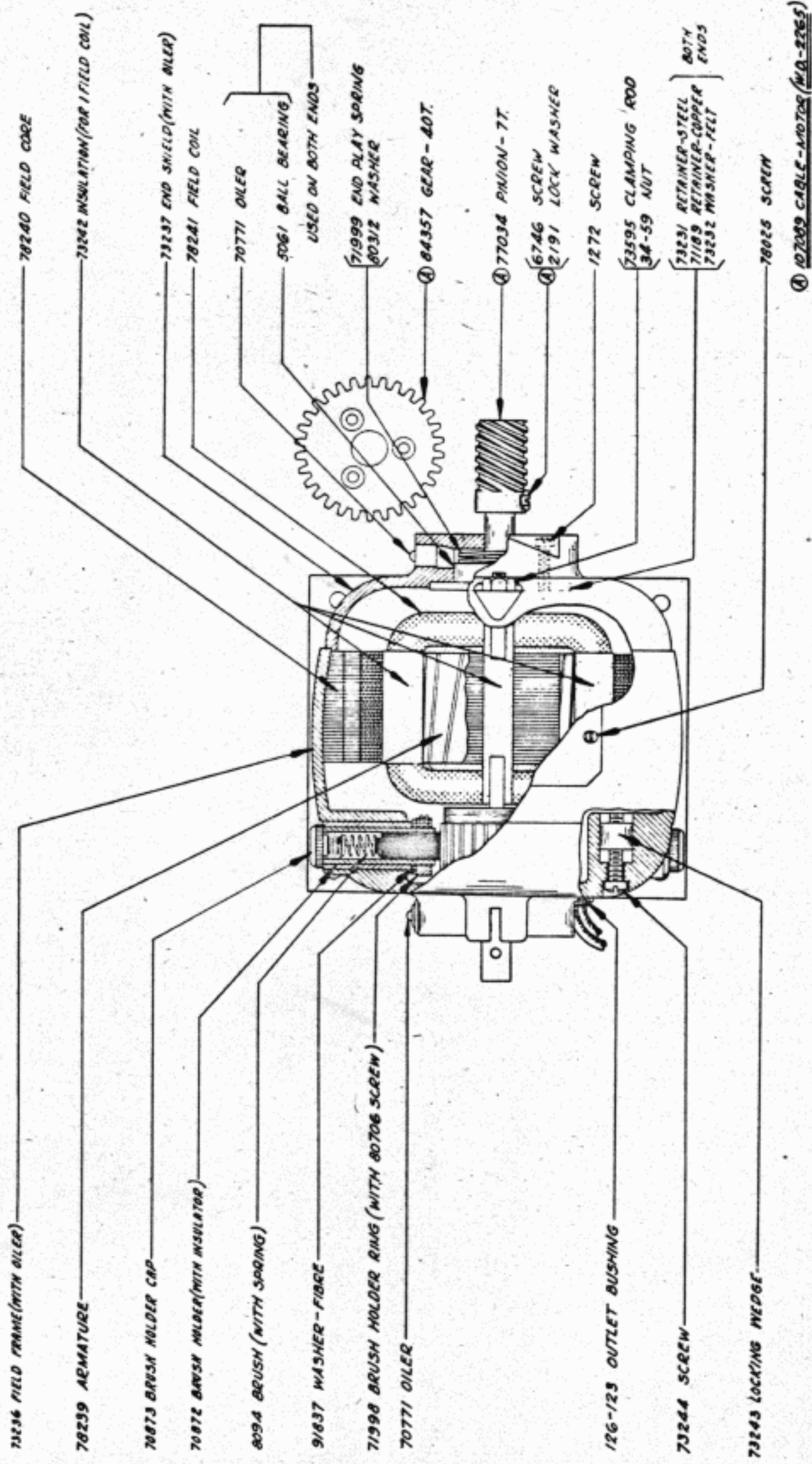
RESISTOR & BRACKET



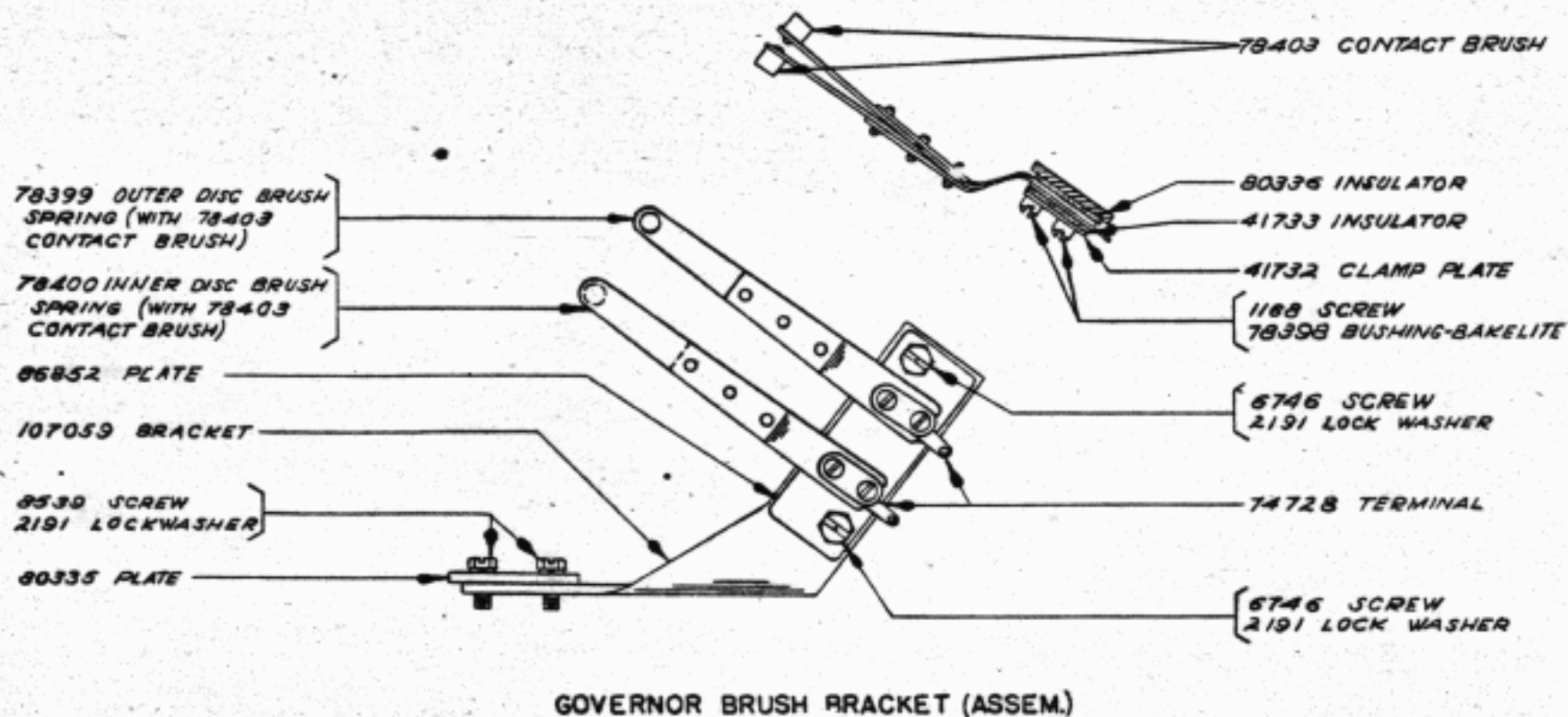
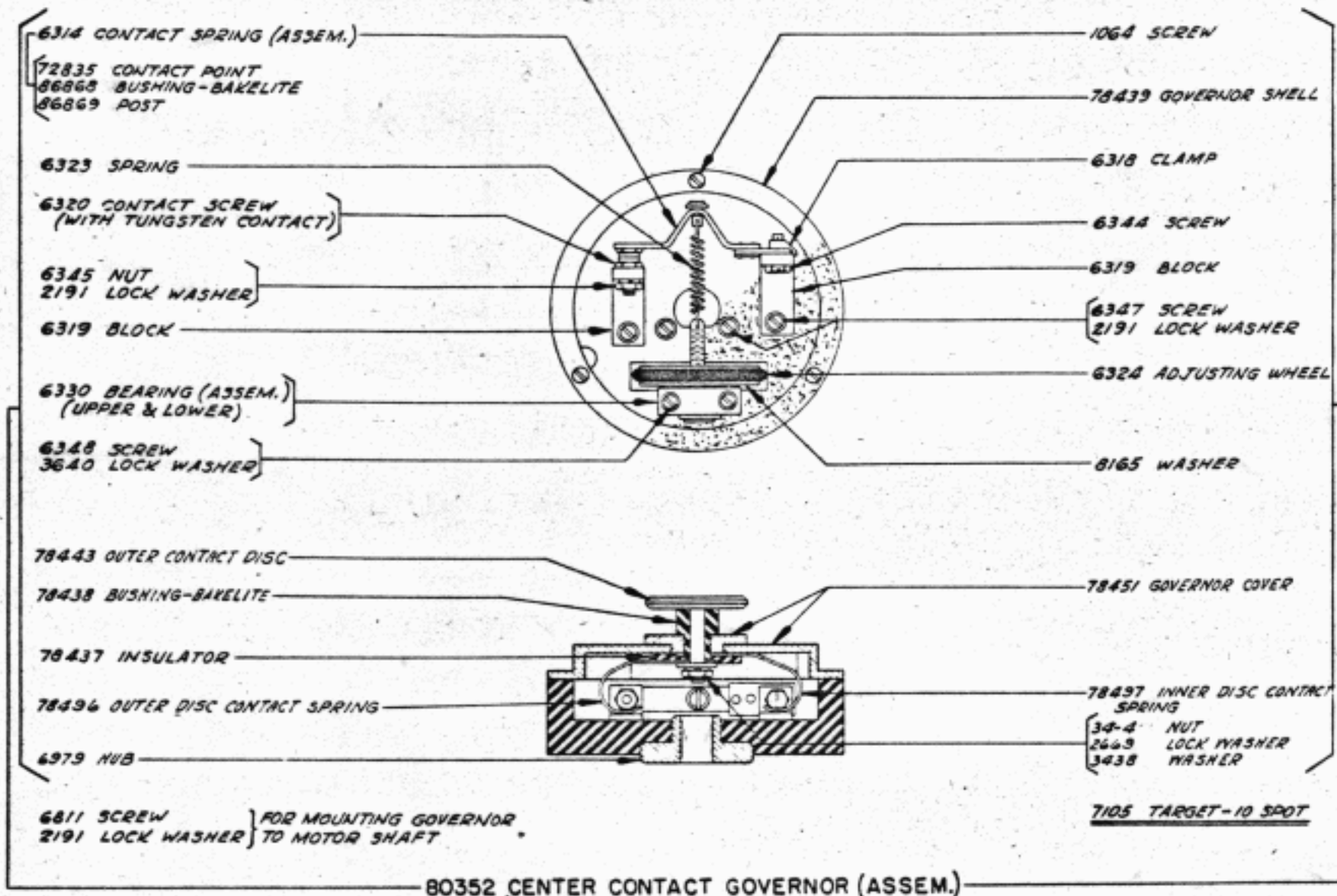
CONDENSER (ASSEM.)

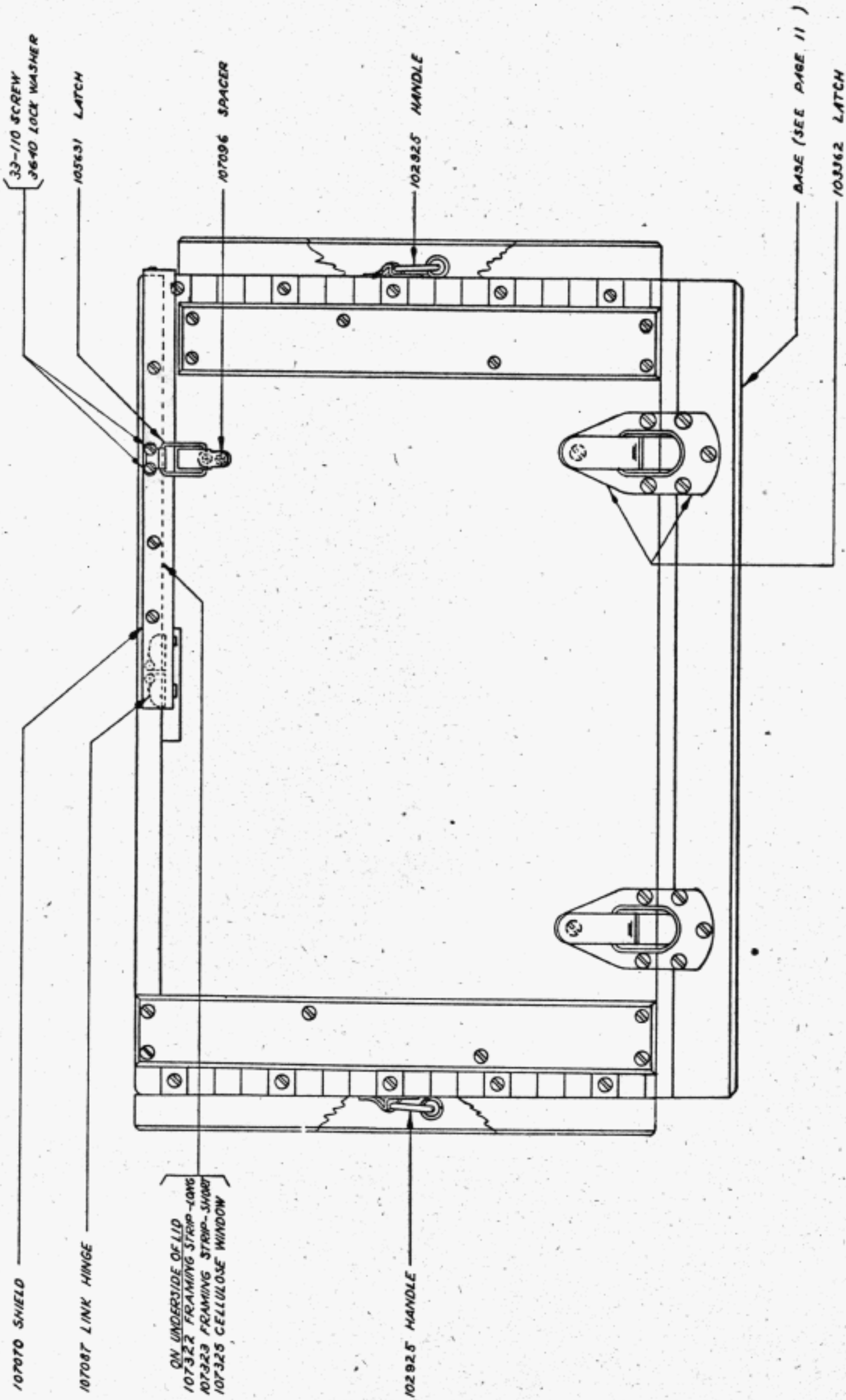




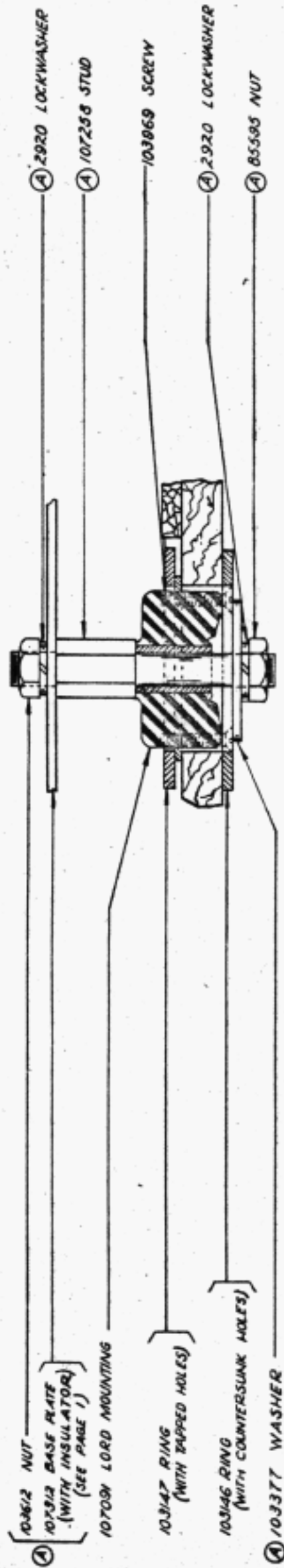
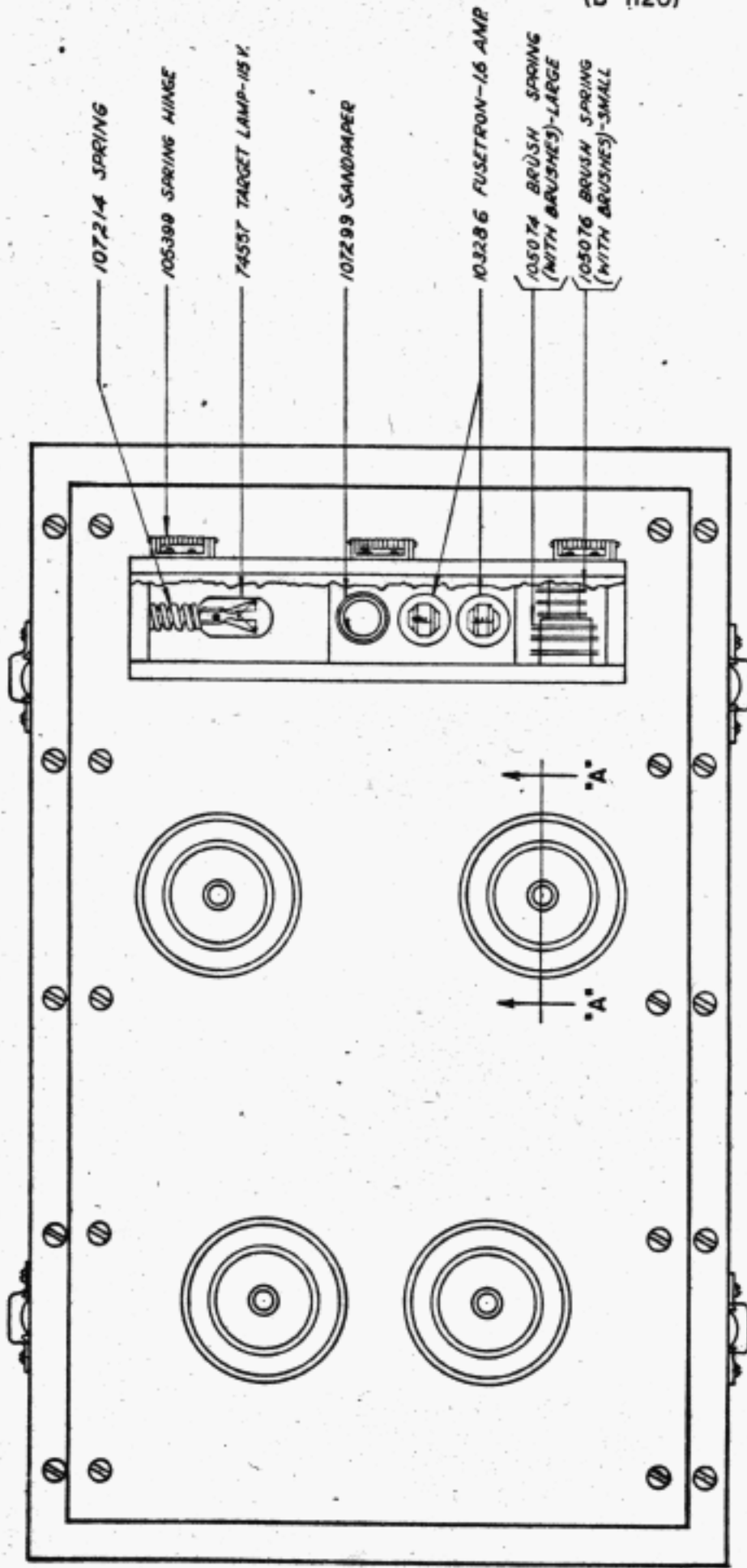


77953 GOVERNED MOTOR, 1/25 H.P., 110 V., 60 CYCLE, A.C. SERIES (G.E. MODEL 5BA65AA29) - EXCLUDES PARTS MARKED (A)





107009 CHEST (ASSEM.)
(SEE PAGE 11 FOR ILLUSTRATION OF BASE)



SECTION "A-A" (ENLARGED)

BASE - PART OF 107009 CHEST (ASSEM.) - SHOWN ON PAGE 10

(EXCLUDES PARTS MARKED (A))

NUMERICAL INDEX

| | | | | | |
|---------|---------------------------------|-------|---|-------|---|
| 33-15 | Screw (2-56x1/8), 3, 5 | 8165 | Washer, 9 | 77911 | Brush Cap, 7 |
| 33-86 | Screw (4-40x1/8), 2 | 8308 | Cable Clamp, 5 | 77953 | Governed Motor, 1/25 H.P. 110V., 60 cycle, A.C. Series (G.E. Model 5BA65AA29), 8 |
| 33-110 | Screw (4-40x3/16), 10 | 8330 | Washer, 2, 3, 6 | | |
| 33-276 | Screw (3-48x5/16), 2 | 8539 | Screw (6-40x1/2), 1, 3, 7, 9 | | |
| 34-4 | Nut (10-32 Hex.), 2, 5, 9 | 8543 | Screw (6-40x1/4), 1, 4, 6 | | |
| 34-48 | Nut (6-32 Hex.), 6 | 9569 | Screw (3-56 Contact), 2 | 78011 | Condenser - 1 MF., 6 |
| 34-56 | Nut (4-40 Hex.), 4 | 34432 | Washer, 2 | 78025 | Screw (4-48x3/16), 8 |
| 34-59 | Nut (10-30 Hex.), 8 | 34464 | Spring, 4 | 78028 | Screw (6-40x1/5/16), 7 |
| 34-64 | Nut (3-48 Square), 2 | 35551 | Screw (10-32x3/8), 5, 6 | 78239 | Armature, 8 |
| 100-93 | Terminal, 2 | 36273 | Washer, 7 | 78240 | Field Core, 8 |
| 122-97 | Bushing - Bakelite, 2 | 41732 | Clamp Plate, 9 | 78241 | Field Coil, 8 |
| 122-276 | Strap, 6 | 41733 | Insulator, 9 | 78301 | Screw (10-32x5/8), 1 |
| 123-244 | Washer, 4 | 44041 | Spacer, 1 | 78398 | Bushing - Bakelite, 9 |
| 126-123 | Outlet Bushing, 8 | 49514 | Nut (8-32 Hex.), 5 | 78399 | Outer Disc Brush Spring (with 78403 contact brush), 9 |
| 300-113 | Tip-brass, 2 | 58221 | Screw (6-32x1/4), 7 | | |
| 300-178 | Terminal, 2 | 70361 | Resistor Unit (Assem.) - 250-500-1000 ohms, 7 | 78400 | Inner Disc Brush Spring (with 78403 contact brush), 9 |
| 1020 | Screw (6-40x1/4), 6 | | Nut (5/16-32 Hex.), 2 | | |
| 1026 | Screw (6-40x3/8), 2, 6 | 70497 | Bracket, 7 | | |
| 1028 | Screw (4-40x1/4), 6, 7 | 70707 | Resistor - 500 ohms, 7 | 78403 | Contact Brush, 9 |
| 1064 | Screw (6-32x1/4), 9 | 70722 | Insulator, 7 | 78420 | Collar, 2 |
| 1160 | Screw (6-40x5/16), 3, 5 | 70724 | Oiler, 8 | 78437 | Insulator, 9 |
| 1161 | Screw (6-40x1/4), 4, 5 | 70771 | Brush Holder (with insulator), 8 | 78438 | Bushing - Bakelite, 9 |
| 1168 | Screw (4-40x5/16), 2, 5, 9 | 70872 | Brush Holder Cap, 8 | 78439 | Governor Shell, 9 |
| 1169 | Screw (6-40x7/16), 2, 7 | | Nut (3/16-24 Hex.), 5, 7 | 78443 | Outer Contact Disc, 9 |
| 1176 | Screw (6-40x3/16), 7 | 70873 | Nut (1/8-27 Hex.), 5 | 78451 | Governor Clamp, 9 |
| 1179 | Screw (6-40x5/8), 2, 7 | 70887 | Nipple, 5 | 78496 | Outer Disc Contact Spring, 9 |
| 1187 | Screw (10-32x1/4), 4 | 70892 | Screw (6-32x1-1/4), 6 | 78497 | Inner Disc Contact Spring, 9 |
| 1208 | Screw (10-32x5/8), 2 | 70893 | Retainer - copper, 8 | | |
| 1266 | Screw (6-32x7/16), 7 | 71155 | Brush Holder Ring, 8 | 78905 | Washer - Bakelite, 7 |
| 1269 | Screw (6-40x1/2), 3, 7 | 71189 | End Play Spring, 8 | 80312 | Washer, 8 |
| 1272 | Screw (6-40x11/16), 8 | 71998 | Screw (6-40x3/4), 2 | 80335 | Plate, 9 |
| 1297 | Screw (6-40x2-7/16), 6 | 71999 | Lockwasher, 2 | 80336 | Insulator, 9 |
| 2191 | Lockwasher, 1 to 9 | 72088 | Ball bearing, 3 | 80342 | Screw (6-40x23/64), 6 |
| 2201 | Nut (5/16-32 Hex.), 3 | 72565 | Screw (8-32x1/2), 1 | 80352 | Center Contact Governor (Assem.), 9 |
| 2382 | Lockwasher, 1 | 72644 | Contact point, 9 | | |
| 2438 | Washer, 7 | 72655 | Lockwasher, 5 | 80467 | Screw (6-40x3/8), 3 |
| 2539 | Nut (3/8-32 Hex.), 5 | 72835 | Toggle Switch (with 91683 nut - Hex. and 93075 nut - Ring), 5 | 80706 | Screw (6-40x3/16), 4, 8 |
| 2669 | Lockwasher, 2, 3, 4, 5, 7, 9 | 73175 | Retainer - steel, 8 | 80757 | Screw (10-32x1/2), 2 |
| 2846 | Washer, 1 | 73180 | Washer - Felt, 8 | 80957 | Screw (4-40x1/4), 3 |
| 2920 | Lockwasher, 11 | | Field Frame (with oiler), 8 | 81731 | Spring, 2 |
| 2929 | Bushing - Bakelite, 6 | | End Shield (with oiler), 8 | 81836 | Washer - Bakelite, 5 |
| 3094 | Insulator, 6 | 73231 | Insulation (for 1 field coil), 8 | 82474 | Terminal, 6 |
| 3153 | Post, 2 | 73232 | Locking Wedge, 8 | 82626 | Resistor - 20 ohms, 6 |
| 3288 | Washer, 3 | 73236 | Screw (10-32x7/8), 8 | 82702 | Screw (6-40x9/32), 5, 7 |
| 3339 | Nut (9/16-32 Hex.), 2 | | Clamping Rod, 8 | 84354 | Spacer, 1 |
| 3432 | Terminal, 2 | 73237 | Terminal Block (Assem.), 6 | 84357 | Gear - 40T, 3, 8 |
| 3438 | Washer, 1, 2, 7, 9 | | Screw (6-40x7/32), 2, 7 | 84359 | Bearing, 2 |
| 3444 | Bridge Bracket, 2 | 73242 | Screw (6-40 Eccentric), 4 | 84360 | Shaft, 2 |
| 3598 | Nut (6-40 Hex.), 4, 6, 7 | | Screw (6-40x5/32), 2 | 84363 | Cover, 2 |
| 3618 | Insulator, 2 | 73243 | Target Lamp - 115 V., 5, 11 | 84365 | Bearing, 2 |
| 3620 | Washer - Fibre, 6 | 73244 | Socket, 5 | 84366 | Base, 2 |
| 3624 | Washer - Brass, 2 | 73595 | Screw (6-40x5/8), 3 | 84368 | Clutch Arm, 2 |
| 3639 | Lockwasher, 2 | 73670 | Resistor - 1600 ohms (800-800), 5 | 84369 | Friction Sleeve, 2 |
| 3640 | Lockwasher, 4, 5, 7, 9 | 74059 | Terminal, 9 | 84371 | Contact Lever, 2 |
| 3646 | Lockwasher, 1, 7, 9 | 74520 | Guard, 6 | 84373 | Bushing, 2 |
| 3650 | Washer - Brass, 6 | 74536 | Cable Clamp, 1 | 84374 | Shaft, 2 |
| 4814 | Lockwasher, 2, 3 | 74557 | Bearing Bracket, 3 | 84375 | Pinion - 12T, 2 |
| 4871 | Bolt (3/16-24x4), 7 | 74558 | Screw (8-32x1-5/8), 7 | 84376 | Pinion - 3T, 3 |
| 5061 | Ball Bearing, 8 | 74687 | Washer, 3 | 84377 | Gear - 60T, 2 |
| 5740 | Screw (2-56x1/4), 2 | 74691 | Friction Washer, 2 | 84378 | Gear Hub, 2 |
| 6035 | Screw (1/4-20x5/8), 1 | | Friction Disc, 2 | 84379 | Hub, 2 |
| 6314 | Contact Spring (Assem.), 9 | 74728 | Friction Spring, 2 | 84381 | Gear - 48T, 2 |
| 6318 | Clamp, 9 | 74757 | Nut (9/16-32 Special), 2 | 84383 | Shaft, 2 |
| 6319 | Block, 9 | 74809 | Strap - 2 1/8" long, 7 | 84384 | Spacer, 2 |
| 6320 | Screw (6-32 Contact), 9 | 74838 | Screw (10-32x13/16), 2 | 84385 | Stud, 2 |
| 6323 | Spring, 9 | 75207 | Terminal Block, 2 | 84393 | Bracket, 2 |
| 6324 | Adjusting Wheel, 9 | 75607 | Bearing Cover, 3 | 84759 | Guard-Pinion, 1 |
| 6330 | Bearing (Assem.), 9 | 76084 | Contact Tongue, 2 | 85595 | Nut (3/8-16 Hex.), 11 |
| 6344 | Screw (6-32x11/32), 9 | 76085 | Pinion - 7T, 8 | 85823 | Spacer, 3 |
| 6345 | Nut (6-32 Hex.), 9 | 76086 | Bushing - Bakelite, 3 | 86815 | Brush Holder Arm, 3 |
| 6347 | Screw (6-32x3/8), 9 | 76087 | Bracket (Assem.), 3 | 86852 | Plate, 9 |
| 6348 | Screw (4-36x3/4), 9 | 76284 | Washer, 5 | 86868 | Bushing - Bakelite, 9 |
| 6745 | Screw (10-32x1/2), 2, 3, 7 | 76755 | Bolt (3/16-24x4-5/8), 5 | 86869 | Post, 9 |
| 6746 | Screw (6-40x5/16), 7, 8, 9 | 77016 | | 87373 | Bushing, 2 |
| 6807 | Screw (6-40x3/16 Set), 2 | 77020 | | 87406 | Disc, 2 |
| 6811 | Screw (6-40x5/8), 1, 2, 3, 7, 9 | 77030 | | 87468 | Terminal Block (Assem.), 2 |
| 6979 | Hub, 9 | 77034 | | 87636 | Screw (2-56x3/16), 1 |
| 7002 | Washer, 1, 3, 5, 6, 7 | 77048 | | 88121 | Cam Spring, 4 |
| 7105 | Target - 10 spot, 9 | 77082 | | 88122 | Contact Spring, 4 |
| 7415 | Nut (1/2-32 Hex.), 2 | 77443 | | | |
| 8094 | Brush (with spring), 8 | 77698 | | | |

NUMERICAL INDEX

| | | | | | |
|-------|--|--------|---|--------|--|
| 88122 | Contact Spring,4 | 98832 | Screw (4-40x11/16),4 | 107051 | Cord (Assem.),6 |
| 88123 | Contact Spring,4 | 98833 | Screw (4-40x31/32),4 | 107052 | Cord (Assem.),6 |
| 88124 | Contact Spring,4 | 98847 | Contact Spring (Assem.),4 | 107053 | Name Plate,5 |
| 88125 | Contact Spring,4 | 98848 | Contact Spring (Assem.),4 | 107054 | Name Plate,5 |
| 88126 | Contact Spring,4 | 98849 | Contact Spring (Assem.),4 | 107056 | Name Plate,5 |
| 88127 | Contact Spring,4 | 98850 | Contact Spring (Assem.),4 | 107057 | Cable Cover,1 |
| 88128 | Insulator,4 | 98851 | Contact Spring (Assem.),4 | 107059 | Bracket,9 |
| 88129 | Clamp Plate,4 | 99113 | Pointer,6 | 107060 | Post,5 |
| 89925 | Terminal End,7 | 99114 | Scale,3 | 107061 | Top Plate - Black Wrinkle,4,5 |
| 91683 | Nut (15/32-32 Hex.),1,5 | 99354 | Container,7 | 107062 | Bracket,5 |
| 91684 | Nut (15/32-32 Ring),1,5 | 99355 | Bracket,7 | 107063 | Switch,5 |
| 91755 | Toggle Switch (with 91683 nut-hex and 91684 nut- ring),1 | 99356 | Bracket,7 | 107069 | Binding Post,5 |
| | | 99357 | Clip,7 | 107070 | Shield,10 |
| | | 99358 | Plug,6 | 107087 | Link Hinge,10 |
| 91837 | Washer - Fibre,8 | 101633 | Washer,5 | 107088 | Line Cable,1 |
| 92171 | Bracket,7 | 101804 | Hinge,5 | 107089 | Motor Cable,1,8 |
| 92217 | Filter,7 | 102859 | Power Filter,7 | 107090 | Test Circuit Cable,1 |
| 92556 | Receptacle,1 | 102918 | Terminal Block,7 | 107091 | Lord Mounting,11 |
| 93075 | Nut (15/32-32 ring),5 | 102925 | Handle,10 | 107094 | Motor - Governor Filter (Assem.),7 |
| 93141 | Screw (6-40x7/32),7 | 103146 | Ring,11 | 107096 | Spacer,10 |
| 95935 | Bushing - Bakelite,7 | 103147 | Ring,11 | 107153 | Cord,6 |
| 95936 | Retard Coil - 1 1/10 ohms,7 | 103236 | Plug,6 | 107154 | Cord,6 |
| | | 103286 | Fusetron - 1.6 Amp.,1,11 | 107156 | Plug,6 |
| 95937 | Condenser - 1/100 mf.,7 | 103362 | Latch,10 | 107214 | Spring,11 |
| 95938 | Condenser - 1/10 mf.,7 | 103377 | Washer,11 | 107251 | Spring Bracket - with Spring Post,4 |
| 97143 | Jack,5 | 103612 | Nut (3/8-16 Hex.),11 | 107252 | Door,5 |
| 97908 | Spacer,7 | 103969 | Screw (10-32x7/8 flat head),11 | 107253 | Bracket,5 |
| 98612 | Screw (4-40x3/16),5 | 105074 | Brush Spring (with brushes) large,3,11 | 107254 | Bracket,5 |
| 98718 | Washer,5 | 105075 | Clamp Plate,3 | 107255 | Screw (10-32 Thumb),5 |
| 98797 | Brush Holder (Assem.),3 | 105076 | Brush Spring (with brushes) small,3,11 | 107256 | Screw (4-40x21/64),4 |
| 98798 | Brush Holder,3 | 105077 | Insulator (upper),3 | 107257 | Bracket,5 |
| 98801 | Insulator - lower,3 | 105399 | Spring Hinge,11 | 107258 | Stud,11 |
| 98803 | Disc - 7 1/2 segments,3 | 105441 | Screw (8-32x7/16 Set),5 | 107260 | Stop Plate,5 |
| 98808 | Adjusting Plate,3 | 105448 | Name Plate,5 | 107267 | Base-Black Gloss,1 |
| 98811 | Adjusting Ring - 7 1/2 segments,3 | 105449 | Name Plate,5 | 107294 | Bracket,6 |
| 98814 | Clamp Plate - Bakelite,3 | 105631 | Latch,10 | 107297 | Bracket,4 |
| 98815 | Transmitting Brushes Filter (Assem.),7 | 105635 | Toggle Switch,5 | 107299 | Sandpaper,11 |
| 98816 | Name Plate,1 | 105862 | Bushing,5 | 107312 | Base Plate- with insulator,1,11 |
| 98819 | Knob,5 | 106045 | Power Leads Filter (Assem.),7 | 107320 | Plate,7 |
| 98820 | Shaft Bracket,4 | 106076 | Bridge,2 | 107321 | Strap,7 |
| 98821 | Detent Pawl - with Spring Post,4 | 106098 | Mounting Plate,4 | 107322 | Framing Strip-long,10 |
| 98823 | Shaft,4 | 106103 | Guard,6 | 107323 | Framing Strip-short,10 |
| 98824 | Cam sleeve - Bakelite,4 | 106104 | Shaft (with hub),3 | 107325 | Cellulose Window,10 |
| 98825 | Detent Wheel,4 | 106168 | Contact Screw Bridge (Assem.),2 | 107326 | Bracket,5 |
| 98828 | Contact Spring,4 | 107009 | Chest (Assem.),10,11 | 107327 | Belt,5 |
| 98829 | Insulator,4 | 107050 | Cord (Assem.),6 | 107328 | Bracket,5 |
| 98830 | Mounting Plate,4 | | | 108450 | Lockwasher,5 |
| 98831 | Name Plate,5 | | | | |