

Scanned

BULLETIN NO. 1141  
ISSUE 1  
JANUARY, 1948

# TELETYPE

PRINTING TELEGRAPH SYSTEMS

PARTS  
TELETYPE SEQUENTIAL CONTROL (SECO) SYSTEM  
EQUIPMENT



BULLETIN NO. 1141

ISSUE 1

JANUARY, 1948

# TELETYPE

PRINTING TELEGRAPH SYSTEMS

PARTS

TELETYPE SEQUENTIAL CONTROL (SECO) SYSTEM  
EQUIPMENT



REG. U. S. PAT. OFF.  
CORPORATION

SUBSIDIARY OF

*Western Electric Company*

CHICAGO, U. S. A.

ALPHABETICAL INDEX

APPARATUS CABINETS

DESCRIPTION	PAGE NO.	DESCRIPTION	PAGE NO.
Doors - - - - -	1,2	Secondary Cabinet - - - - -	1,2
Door Leader - - - - -	2	Secondary Control Unit Shelf - - - - -	23
Plug- - - - -	2	Secondary Transmitter Distributor Mounting Plate- - - - -	25
Primary Cabinet - - - - -	1,2	Secondary Transmitter Distributor Shelf - - -	24
Primary Transmitter Distributor Shelf - - - -	1,4	Separator - - - - -	2
Receptacles - - - - -	2	Slide - Left- - - - -	2
Receptacle Cover- - - - -	2	Slide - Right - - - - -	1
Receptacle Plate- - - - -	2	Strike- - - - -	1
Receptacle Side Cover - - - - -	2	Strip - Left- - - - -	2
Rectifier Platform- - - - -	1	Strip - Right - - - - -	1
Roller (Assem.) Left- - - - -	1	Switching Panel - - - - -	4
Roller (Assem.) Right - - - - -	1	Tape Bin- - - - -	24

SEQUENTIAL SELECTOR

Blocking Levers - Primary (BSLA)- - - - -	11	Pinion- - - - -	13
Blocking Levers - Secondary (BSLB)- - - - -	27	Primary Blocking & Latching Levers (Assem.) (BSLA) - - - - -	11
Clutch Trip Lever - - - - -	9	Primary Selector Panel Connector Block - - - -	19
Code Levers - - - - -	5,6,14,26	Pull Bars - - - - -	7
Code Levers & Name Plates - - - - -	5,6,14,26	Range Scale - - - - -	12
Contact (Assem.)- - - - -	19	Secondary Blocking & Latching Levers (Assem.) (BSLB) - - - - -	27
Contact Levers- - - - -	7	Secondary Selector Panel Connector Block - - -	19
Function Levers - - - - -	5,26	Selector Main Shaft - - - - -	13
Gears - - - - -	13	Selector Panel- - - - -	16
Holding Magnet Selector - - - - -	12	Sequential Selector (BSLA)- - - - 5,6,7,8,9,10,11	
Latching Levers - Primary - - - - -	11	Sequential Selector (BSLB)- 5,6,7,8,9,10,11,26,27	
Latching Levers - Secondary - - - - -	27	Synchronous Motor - - - - -	15
Motor - Selector- - - - -	15	Transfer Levers - - - - -	12
Panel Counter Shaft - - - - -	13	Terminal Block- - - - -	5

CONTROL UNITS

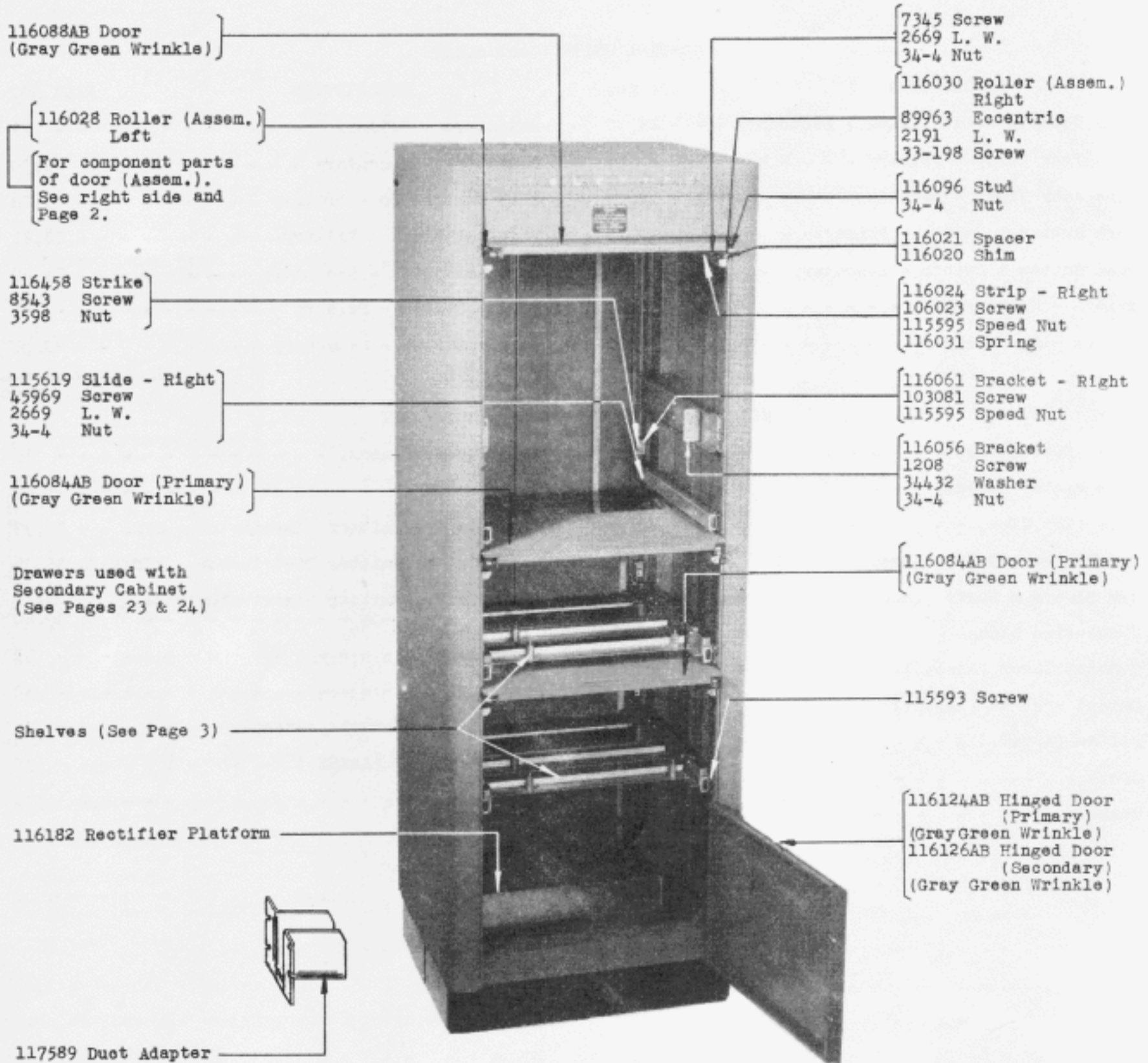
Alarm Buzzer - Primary- - - - -	21	Control Unit - Secondary- - - - -	21,28,29,30
Alarm Buzzer - Secondary- - - - -	21,28	Cords & Plugs - Primary - - - - -	22
Condenser - Primary - - - - -	19	Cords & Plugs - Secondary - - - - -	31
Condenser - Secondary - - - - -	30	Delayed Relay Timer - Primary - - - - -	18
Connection Block - Primary- - - - -	18,30	Fusetron - Primary- - - - -	18
Connection Block - Secondary- - - - -	29,30	Fusetron - Secondary- - - - -	29
Control Unit - Primary- - - - -	17,18,19,20,21	Line Relay Base & Filter - Primary- - - - -	18,19

CONTROL UNITS (Continued)

DESCRIPTION	PAGE NO.	DESCRIPTION	PAGE NO.
Line Relay Bracket (Assem.) Secondary - - -	28, 30	Resistors - Primary - - - - -	19
Line Jack Strip - Primary - - - - -	19	Resistors - Secondary - - - - -	28, 30
Line Jack Strip - Secondary - - - - -	19, 29	Slip Connection - Primary - - - - -	21, 28
Push Button & Switch - Primary - - - - -	17	Terminal Block - Primary - - - - -	4, 18, 21
Push Button & Switch - Secondary - - - - -	28	Terminal Block - Secondary - - - - -	21, 29
Relays - Primary - - - - -	18, 20	Toggle Switch - Primary - - - - -	17
Relays - Secondary - - - - -	29	Toggle Switch - Secondary - - - - -	28, 30

MULTIPLE TRANSMITTER DISTRIBUTOR SET

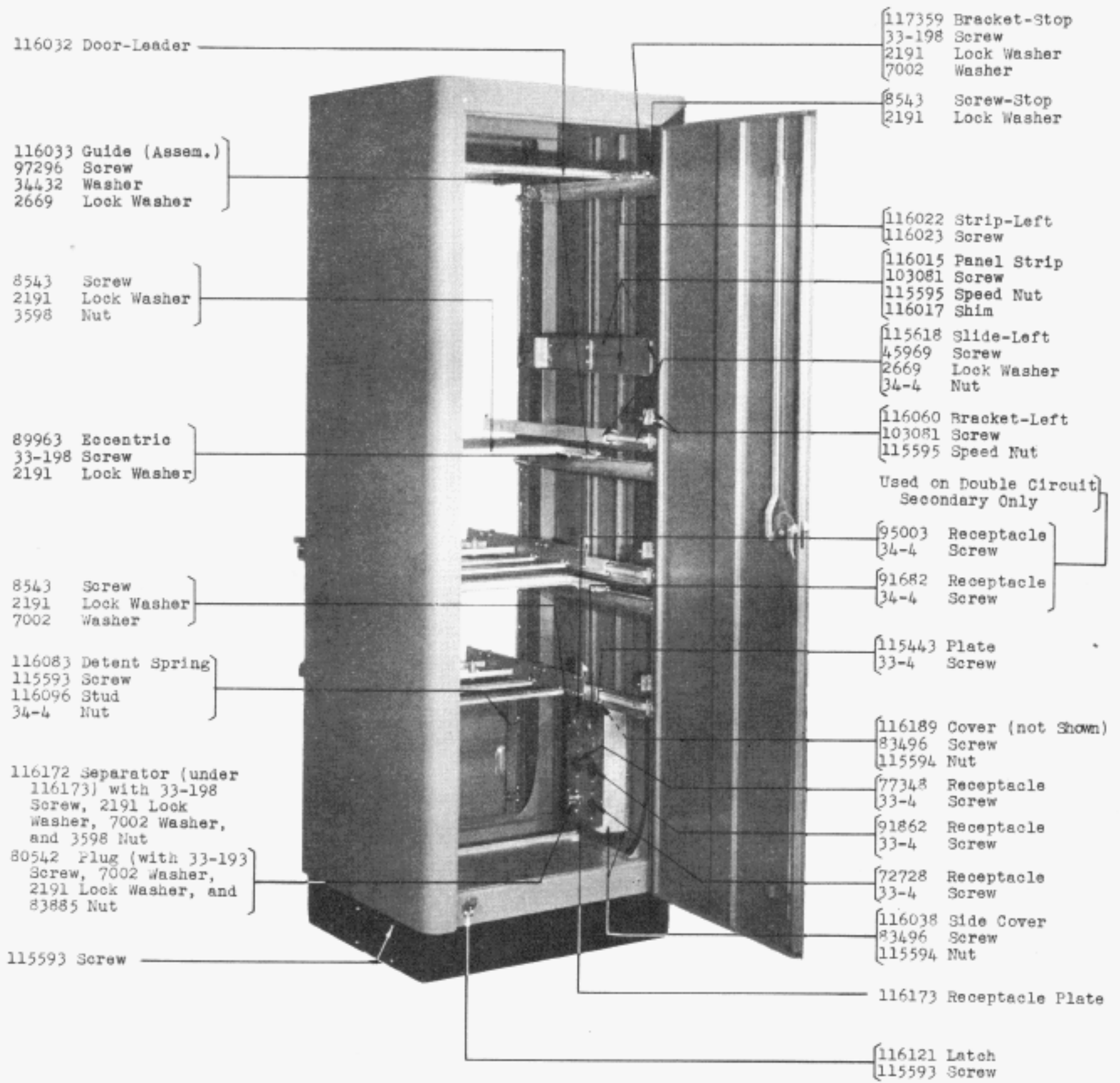
Base (Bottom View) - - - - -	38	Motor Cover (Assem.) - - - - -	39
Base Plate (Assem.) - - - - -	32, 36	Motor - MXB - - - - -	40
Base (Top View) - - - - -	37	Multiple Transmitter Distributor - MFD1 - -	32, 33
Cam Sleeve & Shaft (Assem.) - MFD1 - - - - -	33	Multiple Transmitter Distributor - MXD14 -	34, 35, 36
Cam Sleeve & Shaft (Assem.) - MXD14 - - - - -	35	Multiple Transmitter Distributor Base -	
Connection Block - - - - -	34, 38	MXB - - - - -	37, 38, 39, 40
Contact Lever (Assem.) - - - - -	33, 35	Plug (Assem.) - - - - -	39
Detent Bracket (Assem.) - - - - -	32	Resistors - - - - -	38
Filter (Assem.) - - - - -	33, 34	Release Bar Contact (Assem.) - - - - -	35
Gears - - - - -	37, 40	Selector Lever (Assem.) - - - - -	35
Magnets - - - - -	32, 36	Top Plate - - - - -	34, 39



APPARATUS CABINET

(Front View)

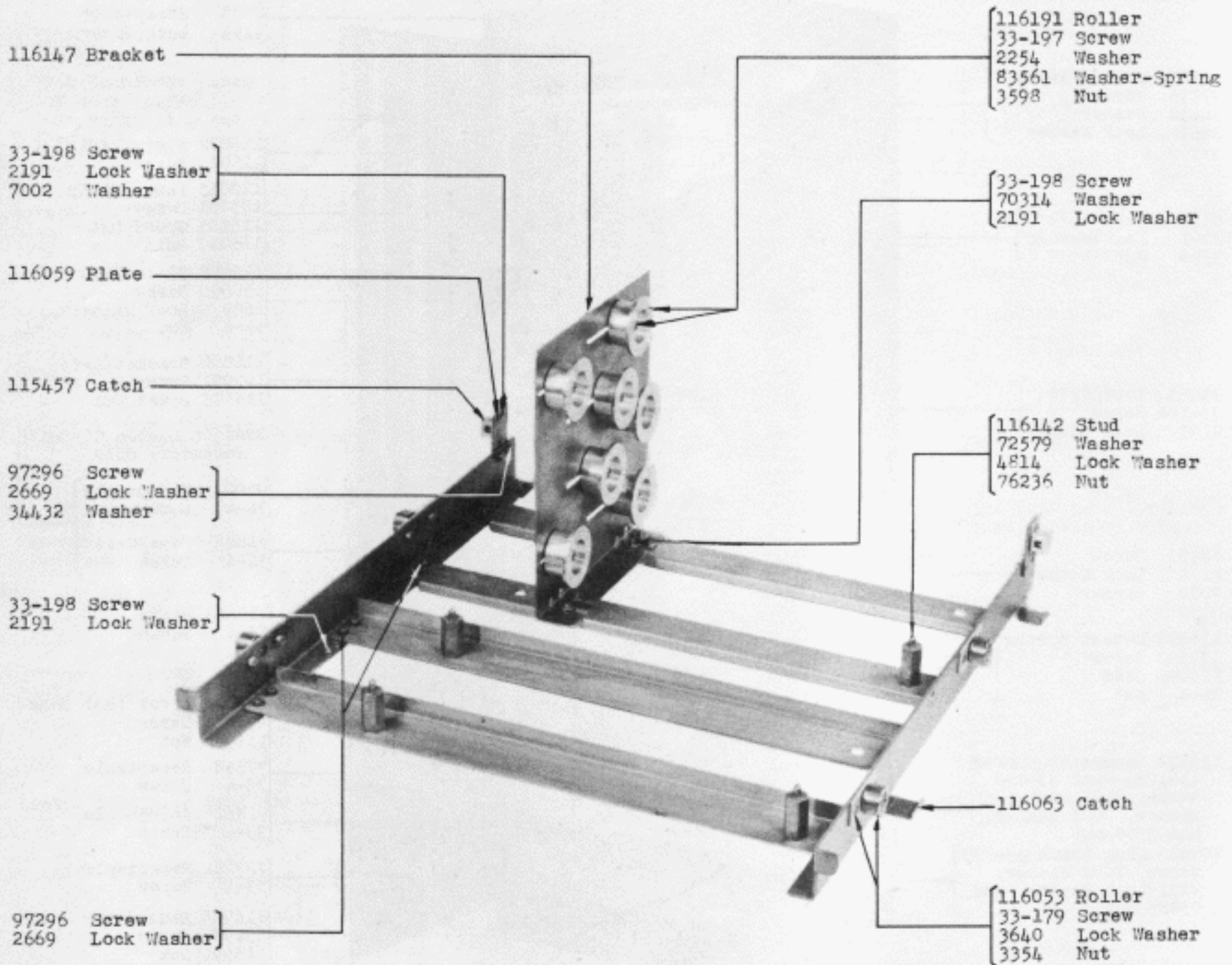
All parts shown on this page  
are common to Primary and  
Secondary Single and Double  
circuit Cabinets unless other-  
wise specified.



APPARATUS CABINET

(Rear View)

All parts shown on this page  
are common to Primary and  
Secondary single and double  
circuit cabinets unless  
otherwise specified.



TRANSMITTER DISTRIBUTOR SHELF  
(PRIMARY)

80854 Screw  
2191 Lock Washer  
3598 Nut

116004AB Panel Cover  
(Gray Green Wrinkle)  
(Used only with Primary  
and Single Circuit  
Cabinets)  
Double Circuit Cabinets  
use  
115361 Jack Strip 1-10  
115362 Jack Strip 1-20

115595 Screw and  
103081 Nut not shown  
Used to mount Switch-  
ing Panel to Cabinet

80854 Screw

1160 Screw  
7002 Washer  
2191 Lock Washer  
3598 Nut

1223 Screw  
2669 Lock Washer  
44048 Washer  
34-4 Nut

115361 Jack Strip 1-10

115362 Jack Strip 1-20

115364 Designation  
Strip (Assem.)

(FRONT VIEW)

116009 Strip

77201 Spacer

1223 Screw  
2669 Lock Washer  
44048 Washer  
34-4 Nut

115399 Cable used on  
Primary and Single  
Circuit Cabinets  
(See WD-2473)

115400 Cable used only  
on Double Circuit  
Cabinet (See WD-2474)

115394 Terminal Support

6811 Screw

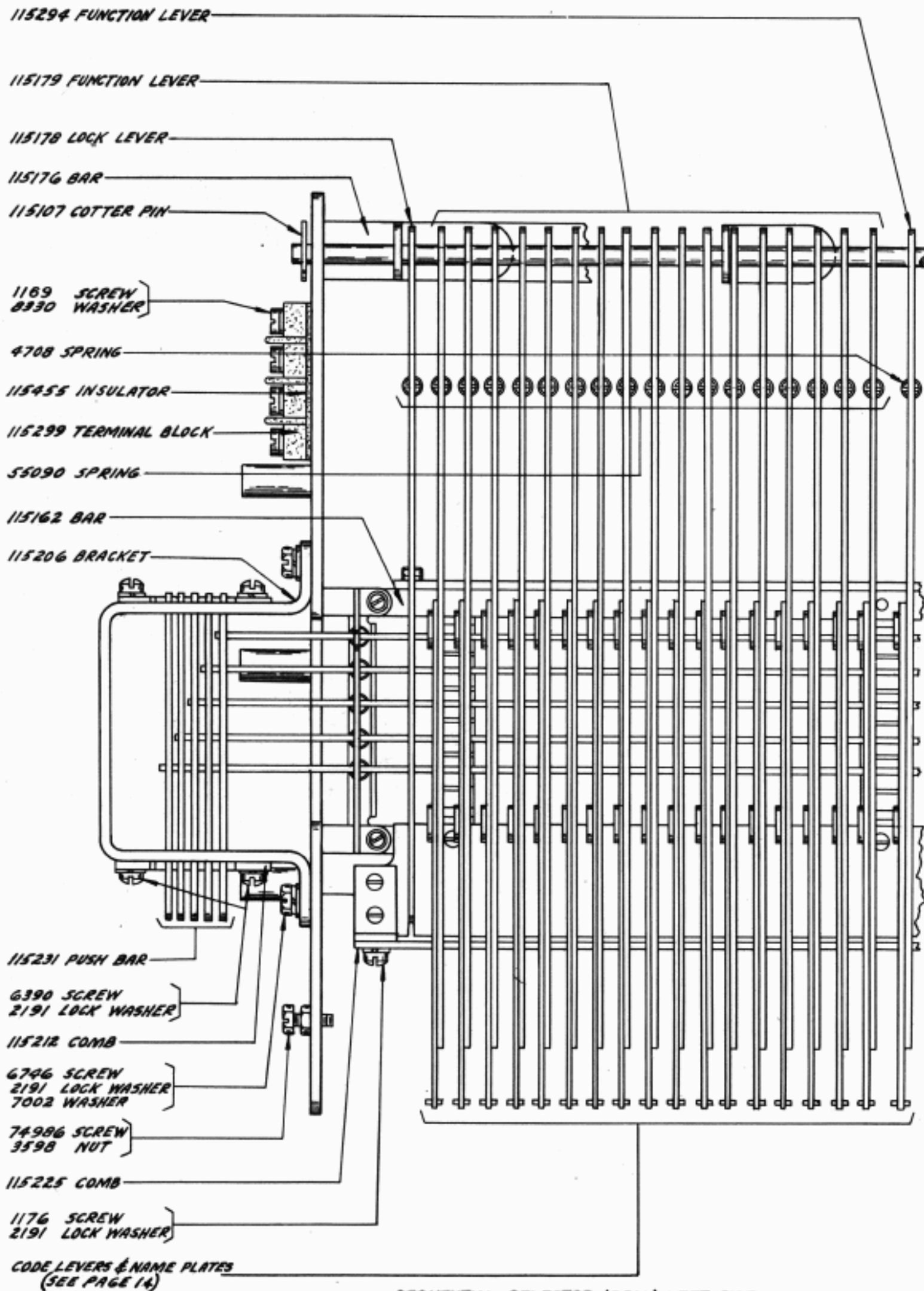
115398 Terminal Block  
(Assem.)

SWITCHING PANEL

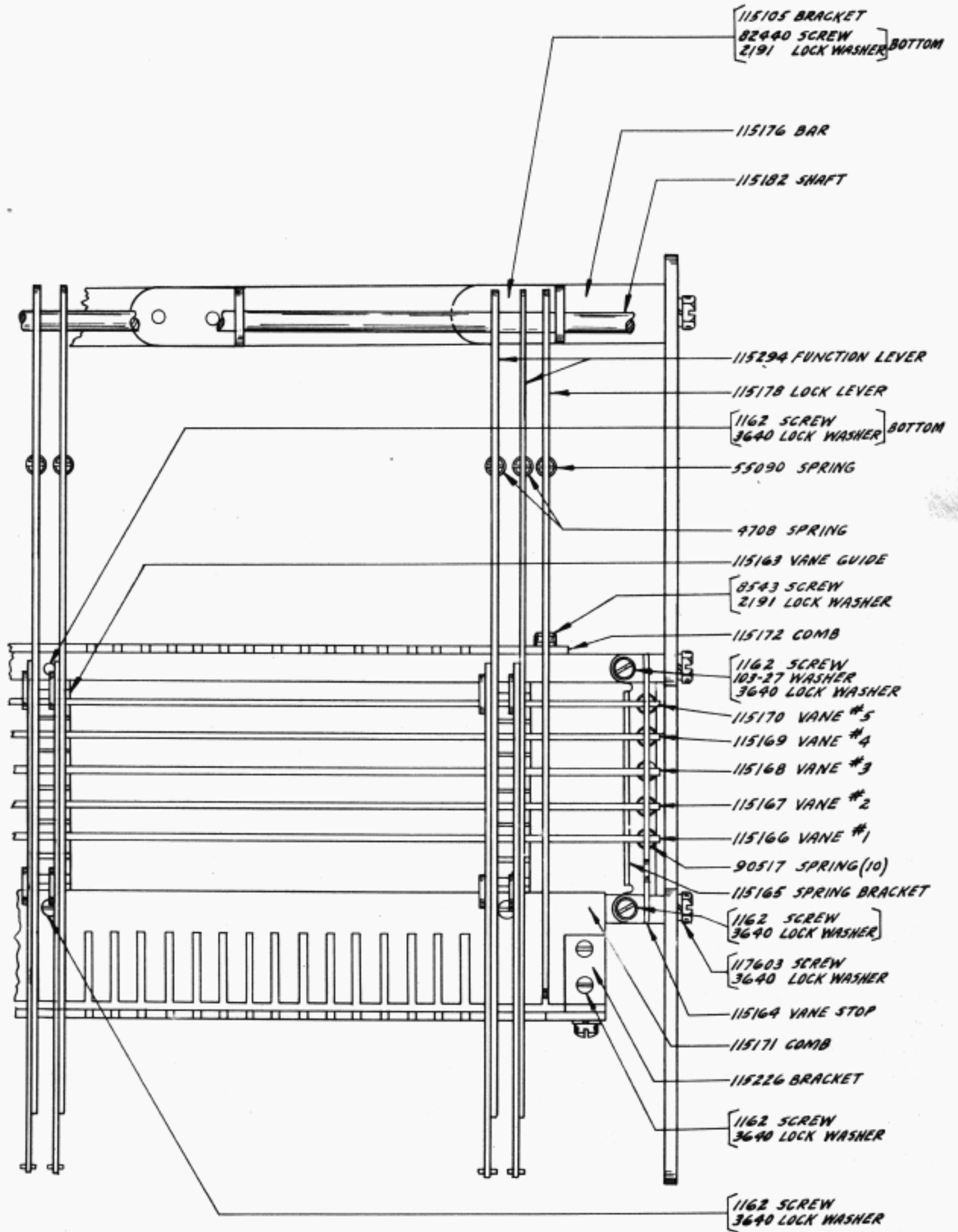
(REAR VIEW)

All parts shown on this page are  
common to Primary and Secondary  
single and double Circuit Cabinets  
unless otherwise specified.

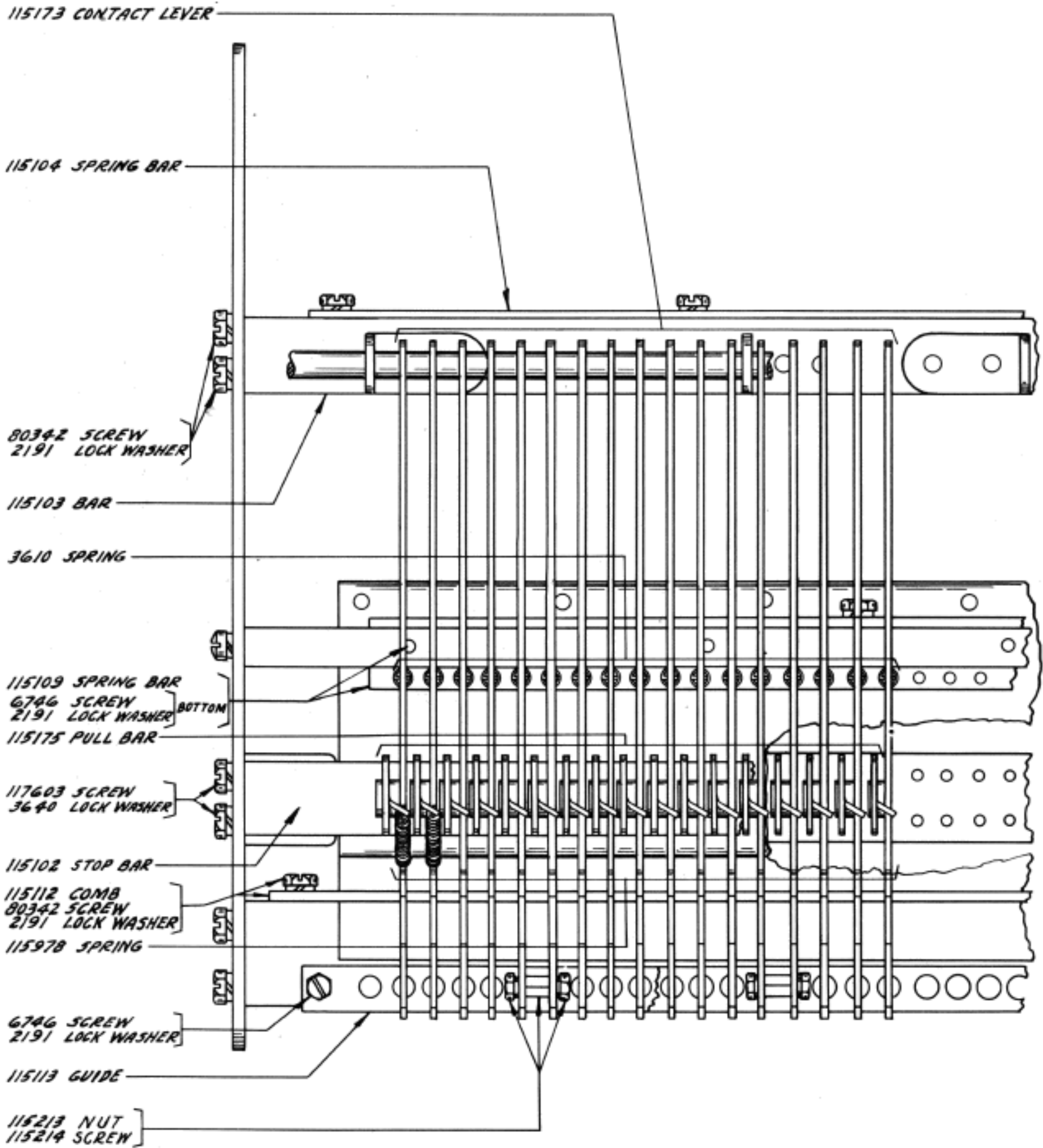




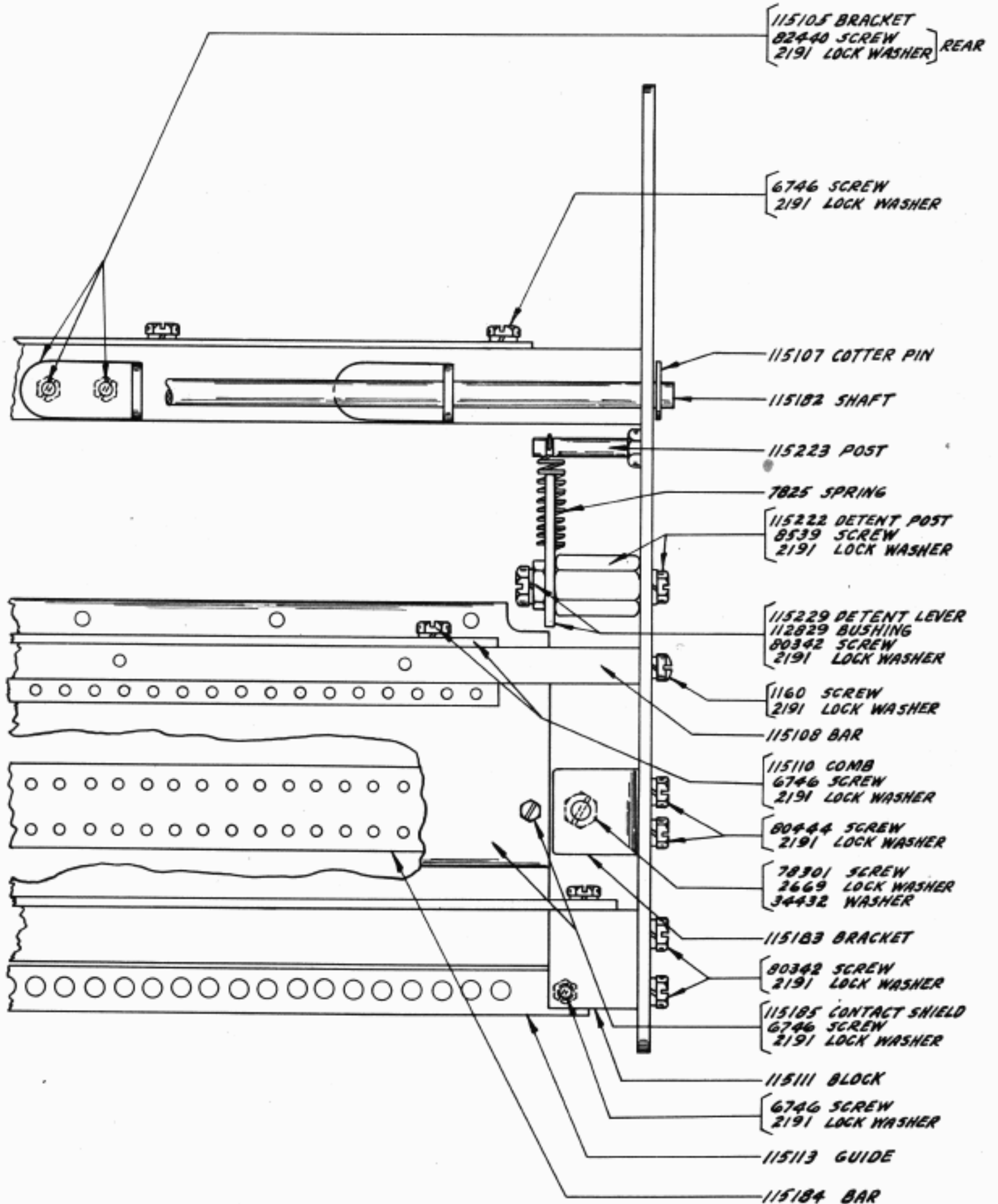
SEQUENTIAL SELECTOR (BSIA) LEFT SIDE  
(TOP VIEW)



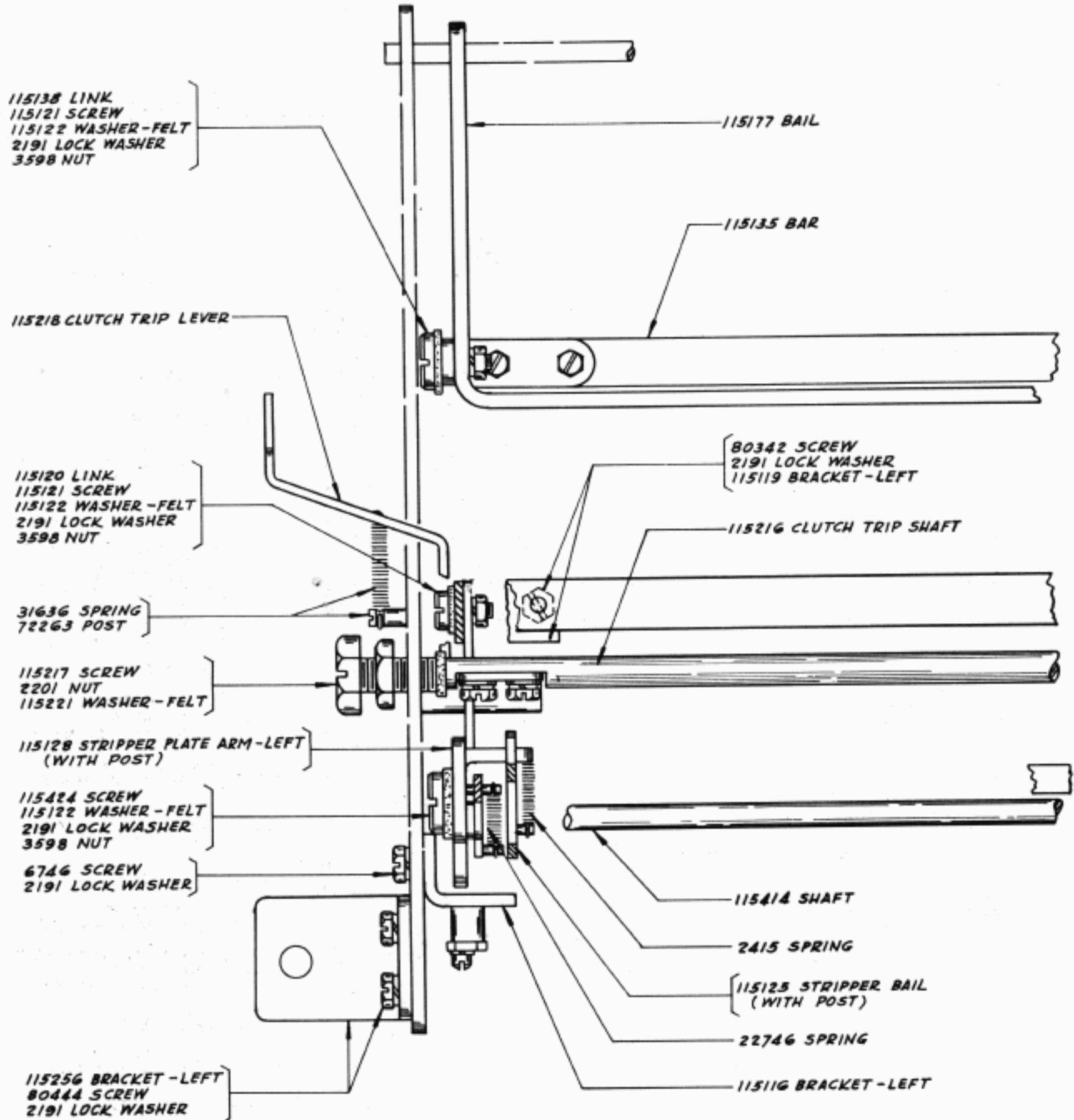
SEQUENTIAL SELECTOR (BSIA) RIGHT SIDE  
(TOP VIEW)



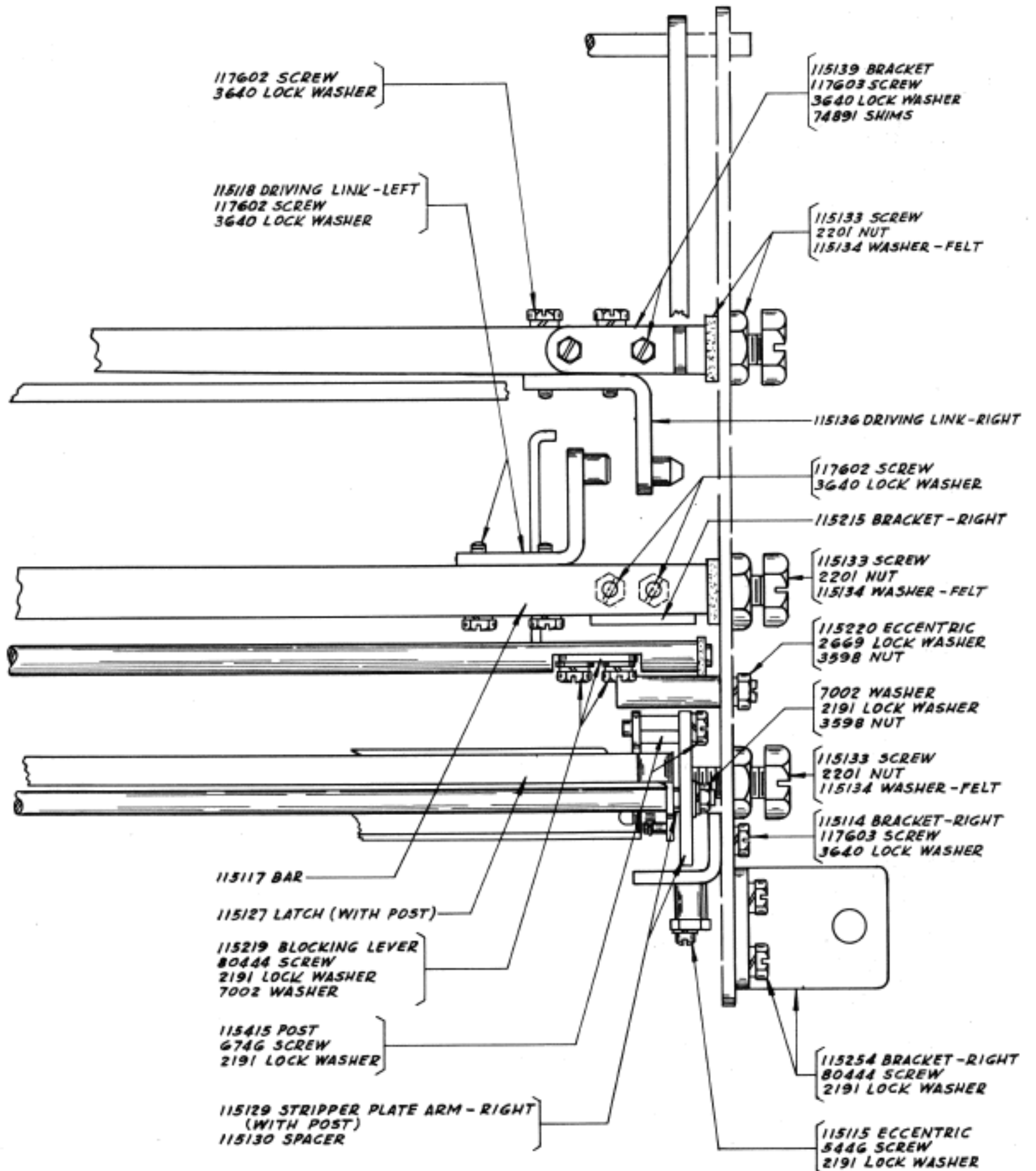
SEQUENTIAL SELECTOR (BSIA) CENTER SECTION LEFT SIDE  
(TOP VIEW)



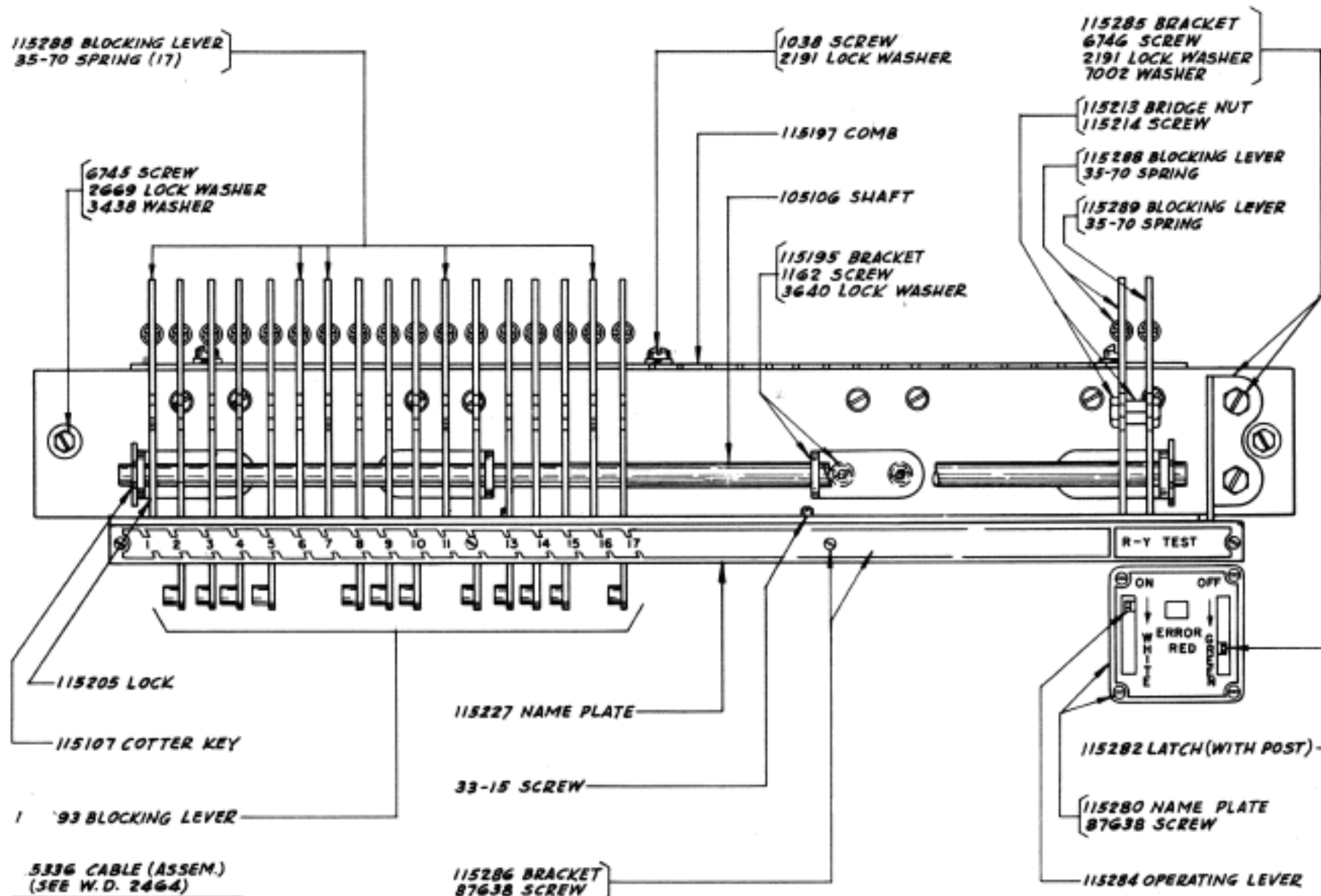
SEQUENTIAL SELECTOR (BSIA) CENTER SECTION RIGHT SIDE  
(TOP VIEW)



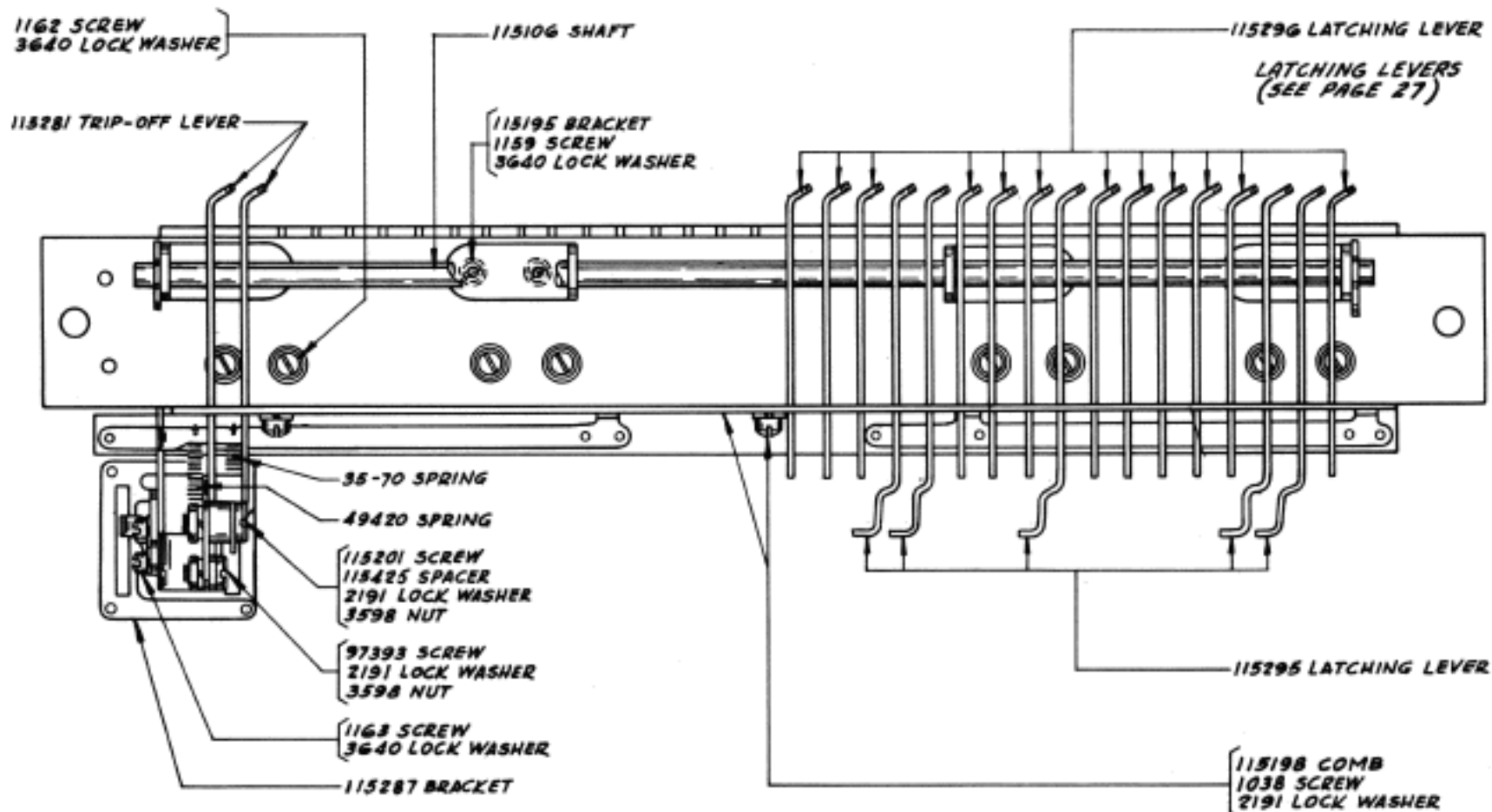
SEQUENTIAL SELECTOR (BSIA) BOTTOM SECTION LEFT SIDE  
(TOP VIEW)



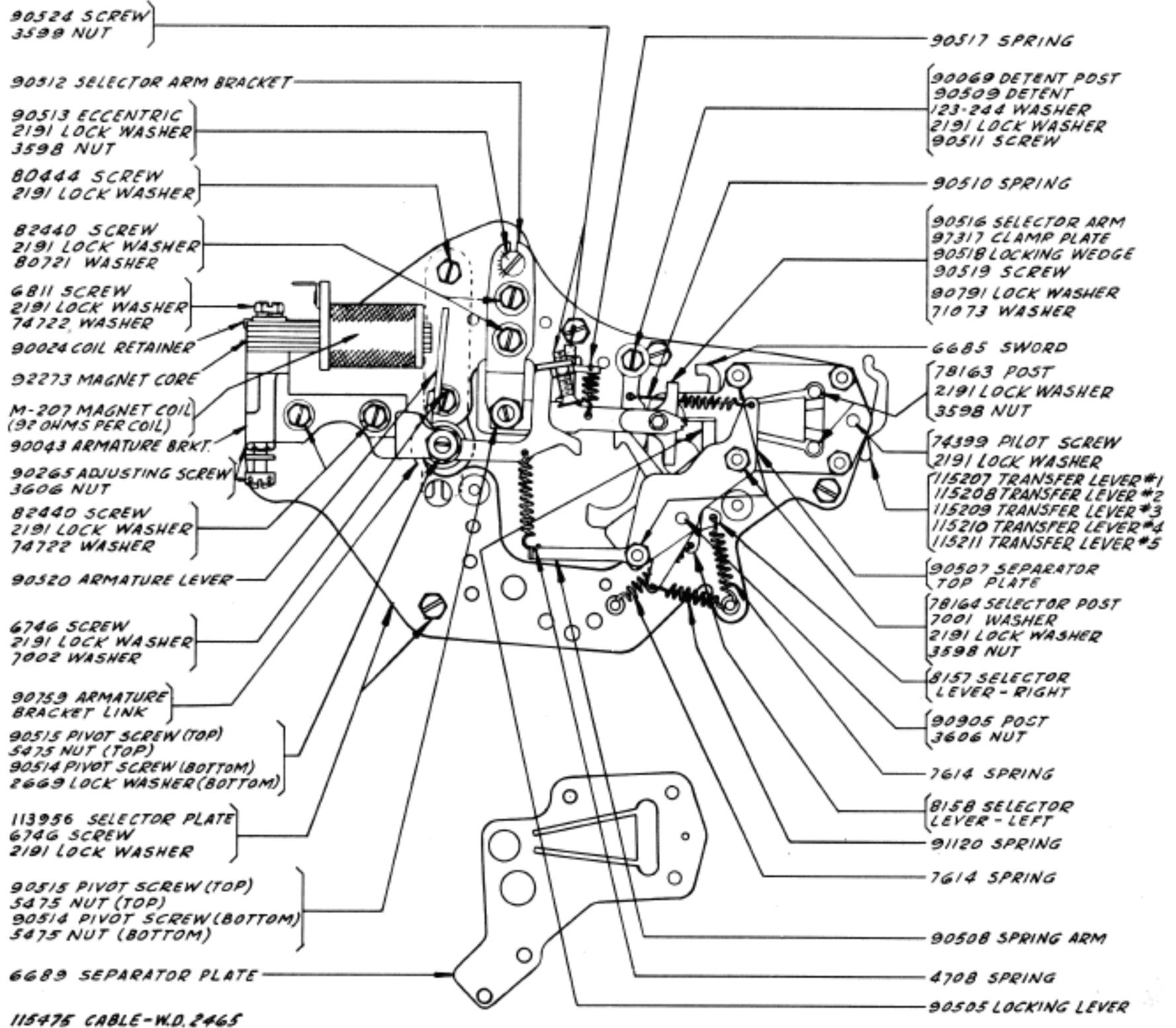
SEQUENTIAL SELECTOR (BSIA) BOTTOM SECTION RIGHT SIDE  
(TOP VIEW)



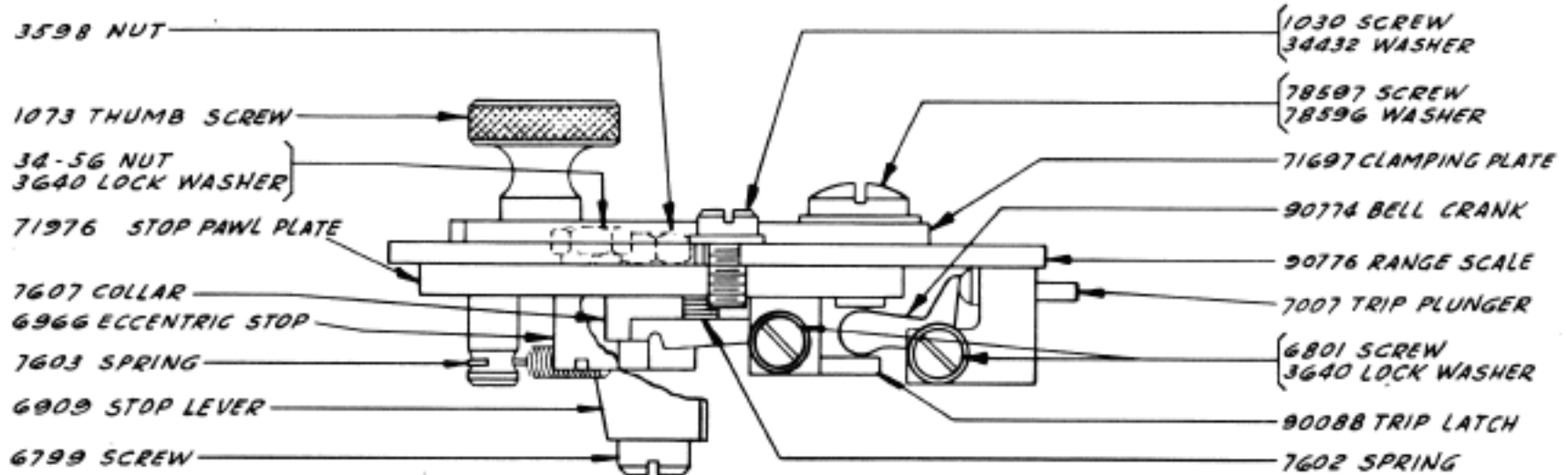
(FRONT VIEW)



PRIMARY BLOCKING AND LATCHING LEVER ASSEM (BSIA)  
(REAR VIEW)



SELECTOR UNIT  
(TOP VIEW)

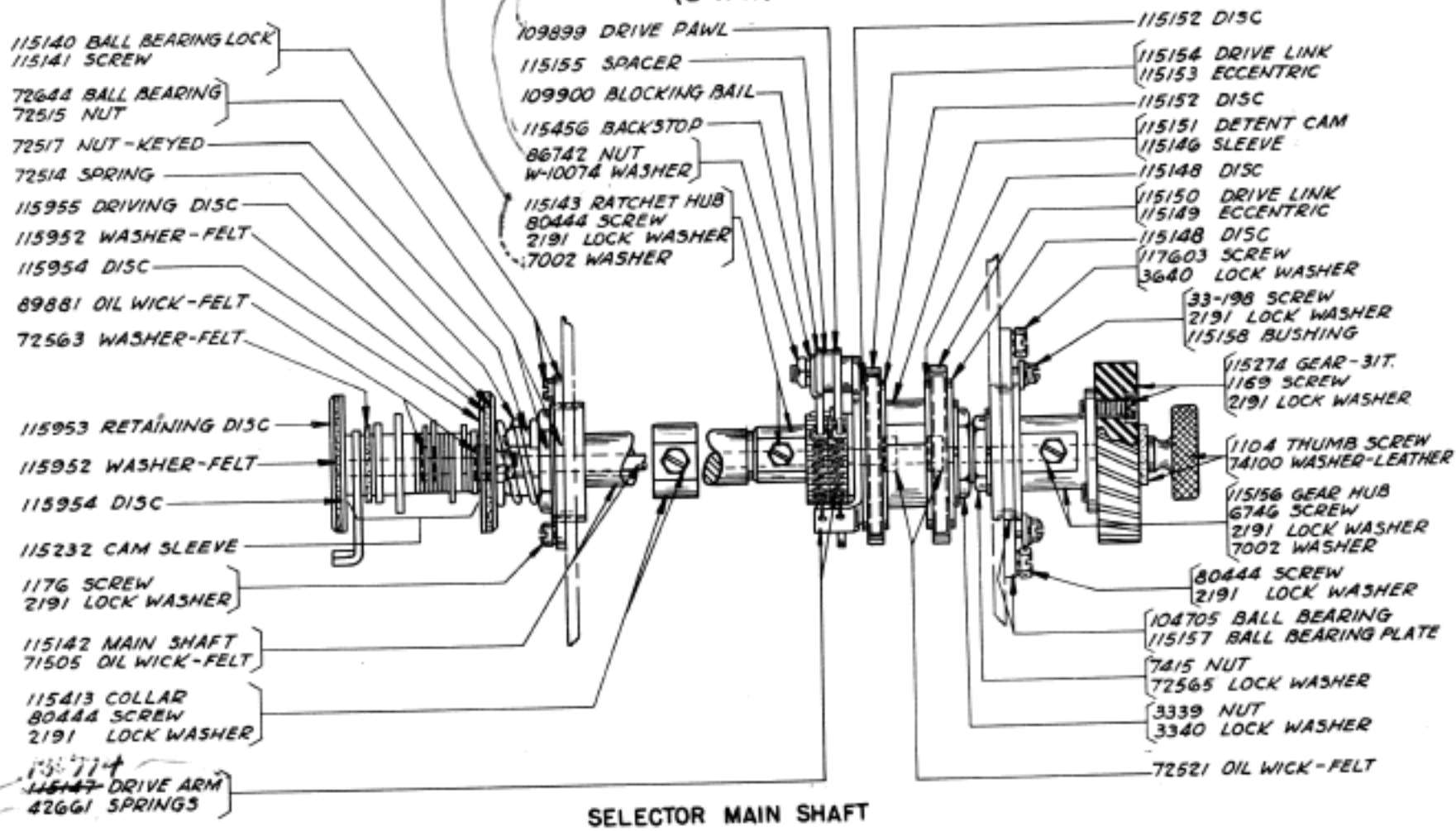


RANGE SCALE (ASSEM)

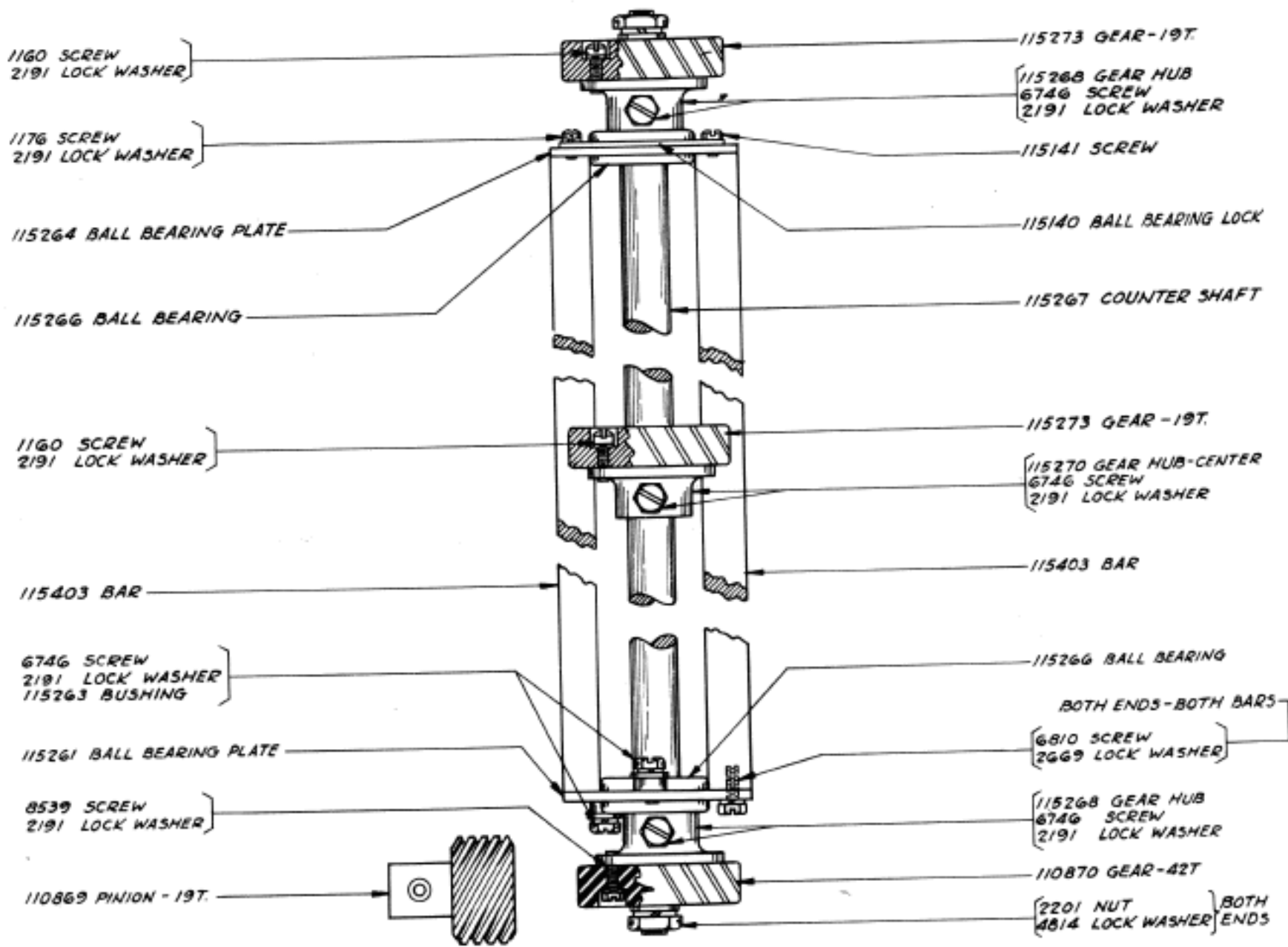


Note Apr 5-5628

-13-  
(B-1141)



SELECTOR MAIN SHAFT



PANEL COUNTER SHAFT



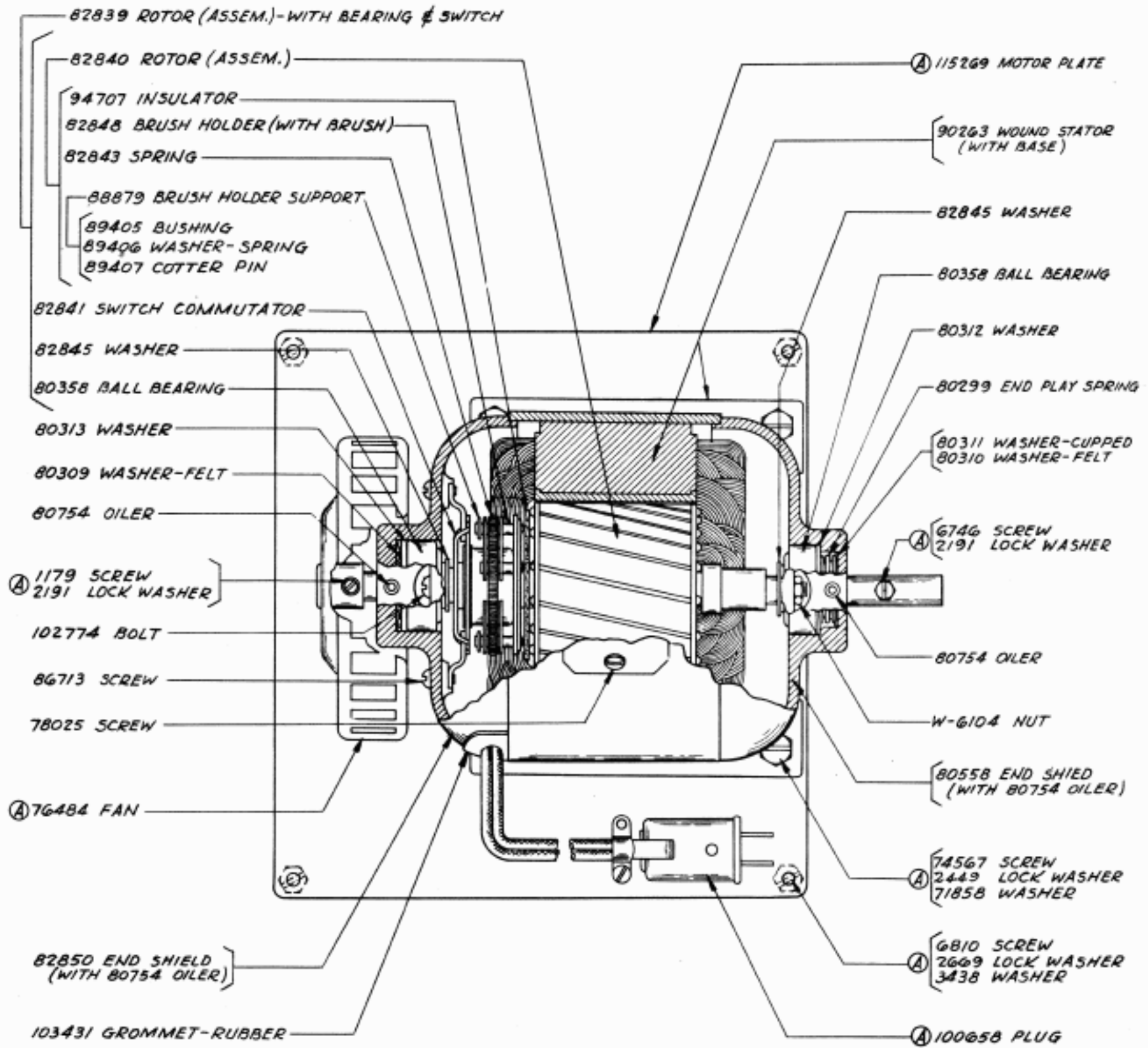
SUPPLIED WITH EQUIPMENT

CODE LEVERS & NAME PLATES SUPPLIED WITH EQUIPMENT											
CHARACTER	A	B	C	D	E	F	G	H	I	J	K
CODE LEVER (WITH NAME PLATE)	115000	115001	115002	115003	115004	115005	115006	115007	115008	115009	115010
NAME PLATE NUMBER	115066	115067	115068	115069	115070	115071	115072	115073	115074	115075	115076
CHARACTER	L	M	N	O	P	Q	R	S	T	U	V
CODE LEVER (WITH NAME PLATE)	115011	115012	115013	115014	115015	115016	115017	115018	115019	115020	115021
NAME PLATE NUMBER	115077	115078	115079	115080	115081	115082	115083	115084	115085	115086	115087
CHARACTER	W	X	Y	Z	LF	SP	CR	BL	FIG	LET	NO CODE
CODE LEVER (WITH NAME PLATE)	115022	115023	115024	115025	115026	115027	115028	115029	115030	115031	115032
NAME PLATE NUMBER	115088	115089	115090	115091	115092	115093	115094	115095	115096	115097	115098



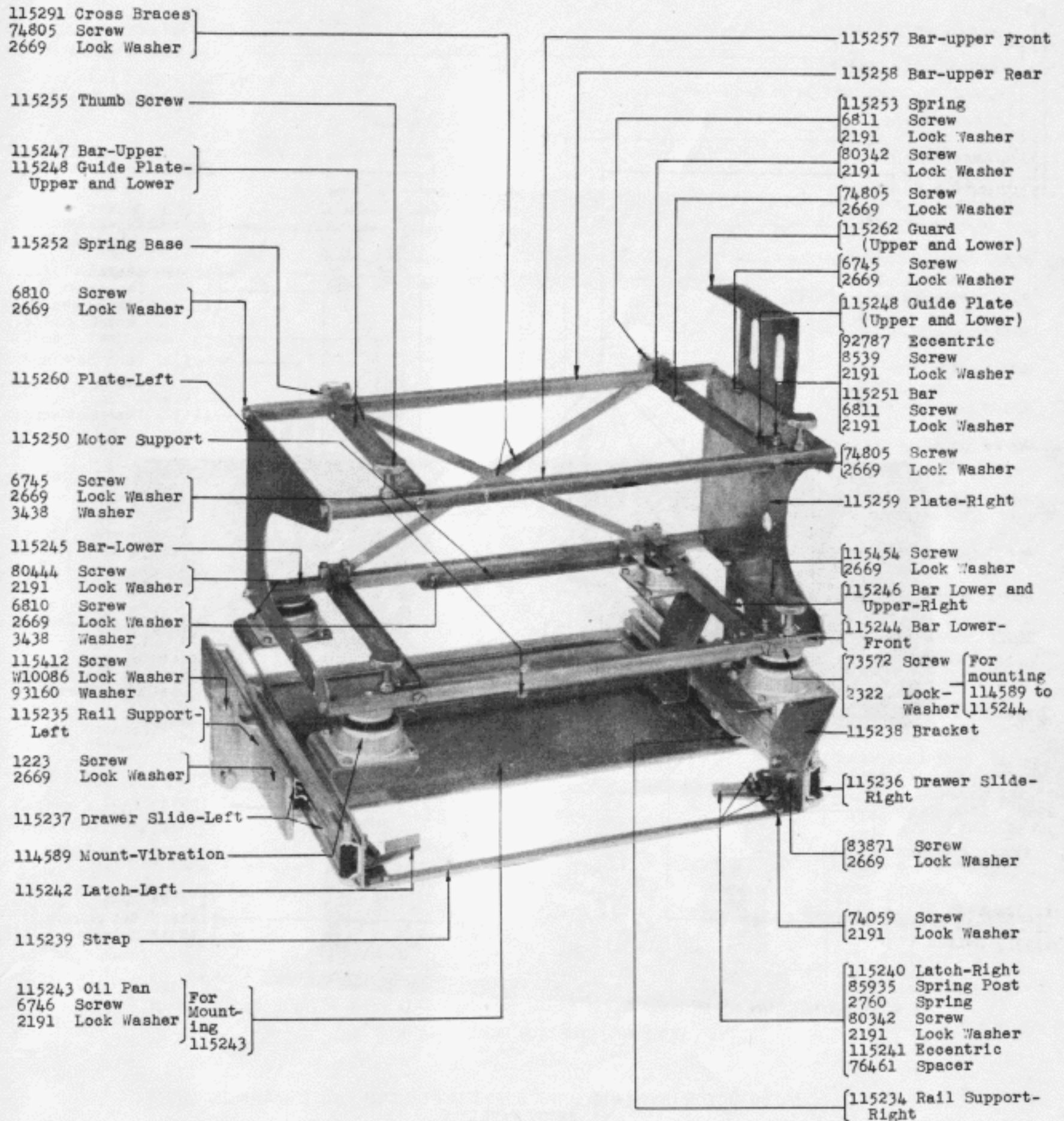
SUPPLIED ON REPLACEMENT ORDERS

CODE LEVERS & NAME PLATES TO BE SUPPLIED ON REPLACEMENT ORDERS											
CHARACTER	A	B	C	D	E	F	G	H	I	J	K
CODE LEVER (WITH NAME PLATE)	117450	117451	117452	117453	117454	117455	117456	117457	117458	117459	117460
NAME PLATE NUMBER	115066	115067	115068	115069	115070	115071	115072	115073	115074	115075	115076
CHARACTER	L	M	N	O	P	Q	R	S	T	U	V
CODE LEVER (WITH NAME PLATE)	117461	117462	117463	117464	117465	117466	117467	117468	117469	117470	117471
NAME PLATE NUMBER	115077	115078	115079	115080	115081	115082	115083	115084	115085	115086	115087
CHARACTER	W	X	Y	Z	LF	SP	CR	BL	FIG	LET	NO CODE
CODE LEVER (WITH NAME PLATE)	117472	117473	117474	117475	117476	117477	117478	117479	117480	117481	115032
NAME PLATE NUMBER	115088	115089	115090	115091	115092	115093	115094	115095	115096	115097	115098



82283 SYNCHRONOUS MOTOR, 1 40 H.P. 110V, 60 CYCLE A.C. ( G.E. MODEL 5SH25ABIIB )  
 ( DOES NOT INCLUDE PARTS MARKED (A) )

MU 36 MOTOR UNIT ( INCLUDES 82283 MOTOR AND PARTS MARKED (A) )



SELECTOR PANEL

All parts shown are common to  
Primary and Secondary Selectors

115324 Knob  
1214 Set Screw  
115317 Switch

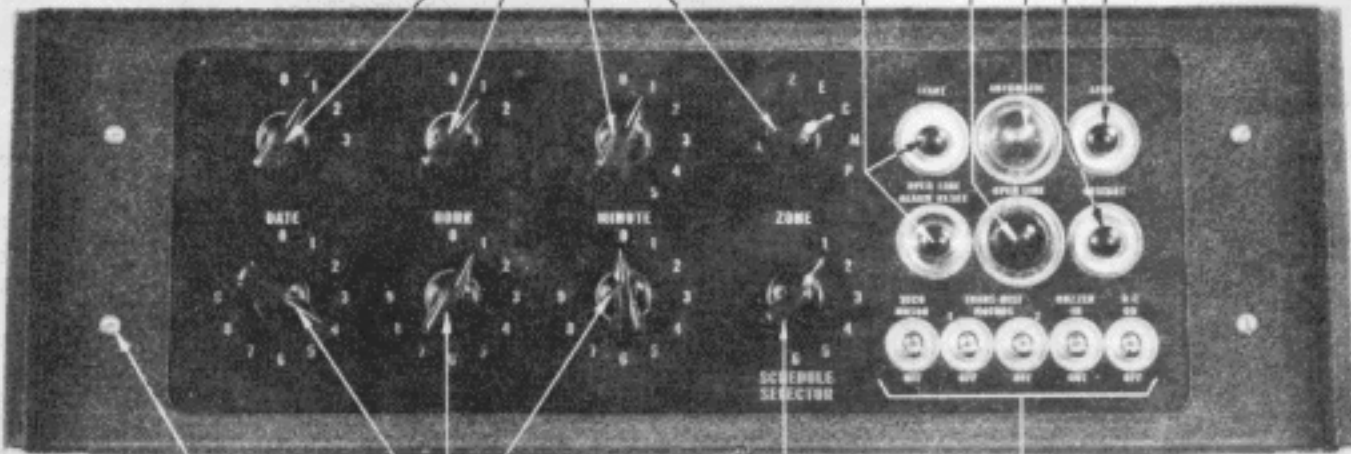
115322 Push Button

112926 Socket  
115320 Cap-Red  
112929 Lamp-Neon

112926 Socket  
112927 Cap-Amber  
112929 Lamp-Neon

115322 Push Button

115323 Push Button



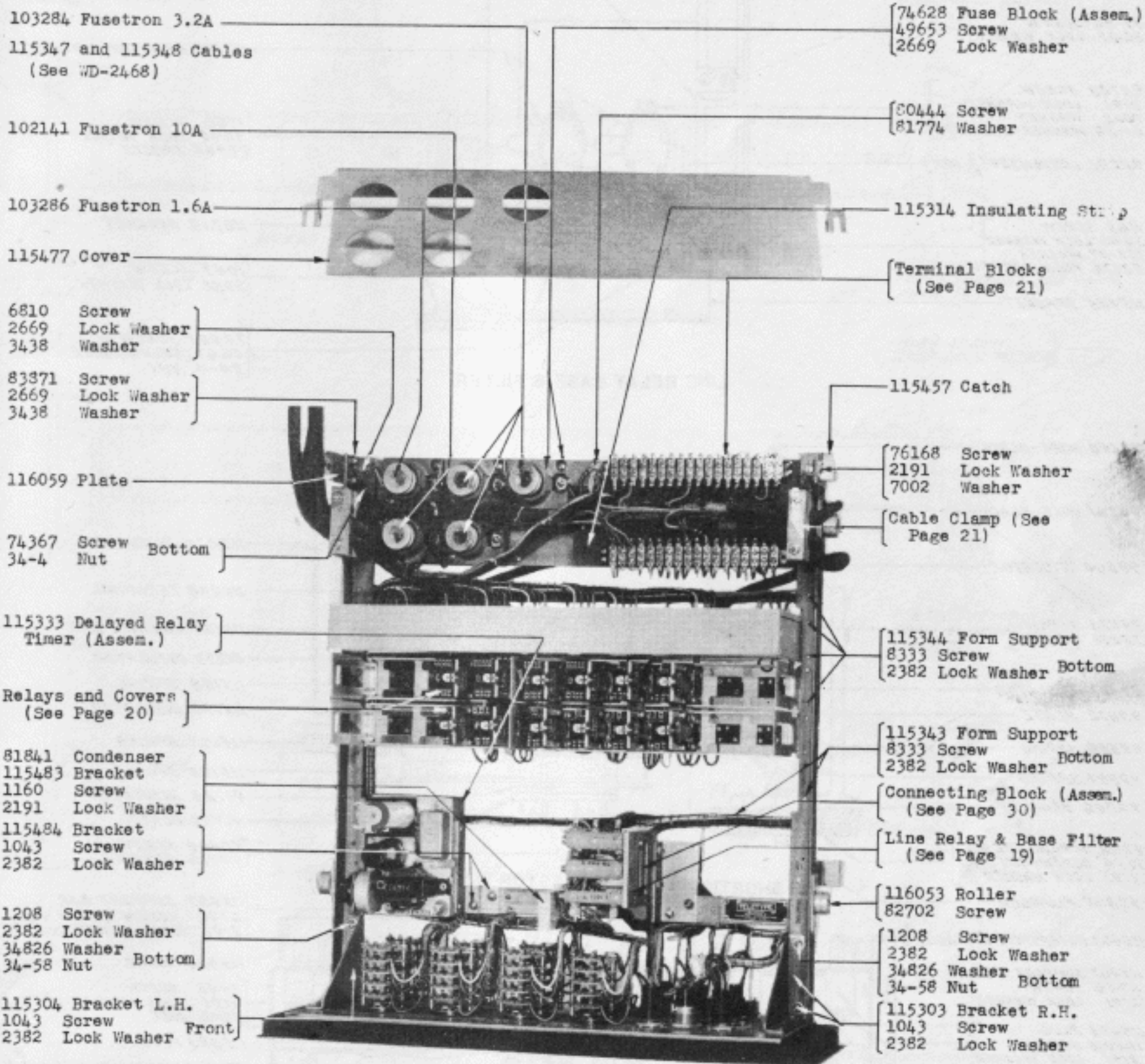
33-282 Screw  
2382 Lock Washer  
34-58 Nut

107393 Toggle Switch

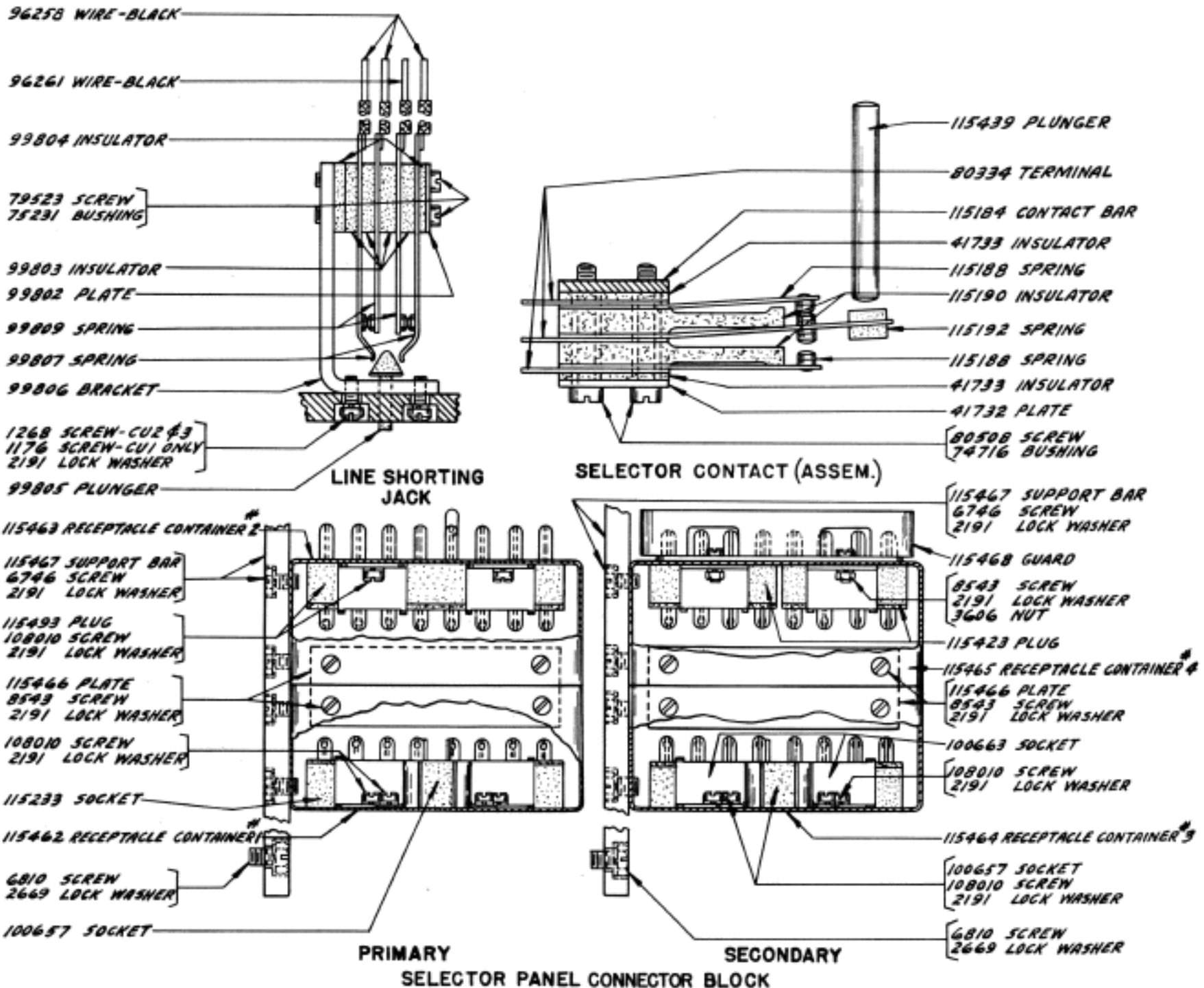
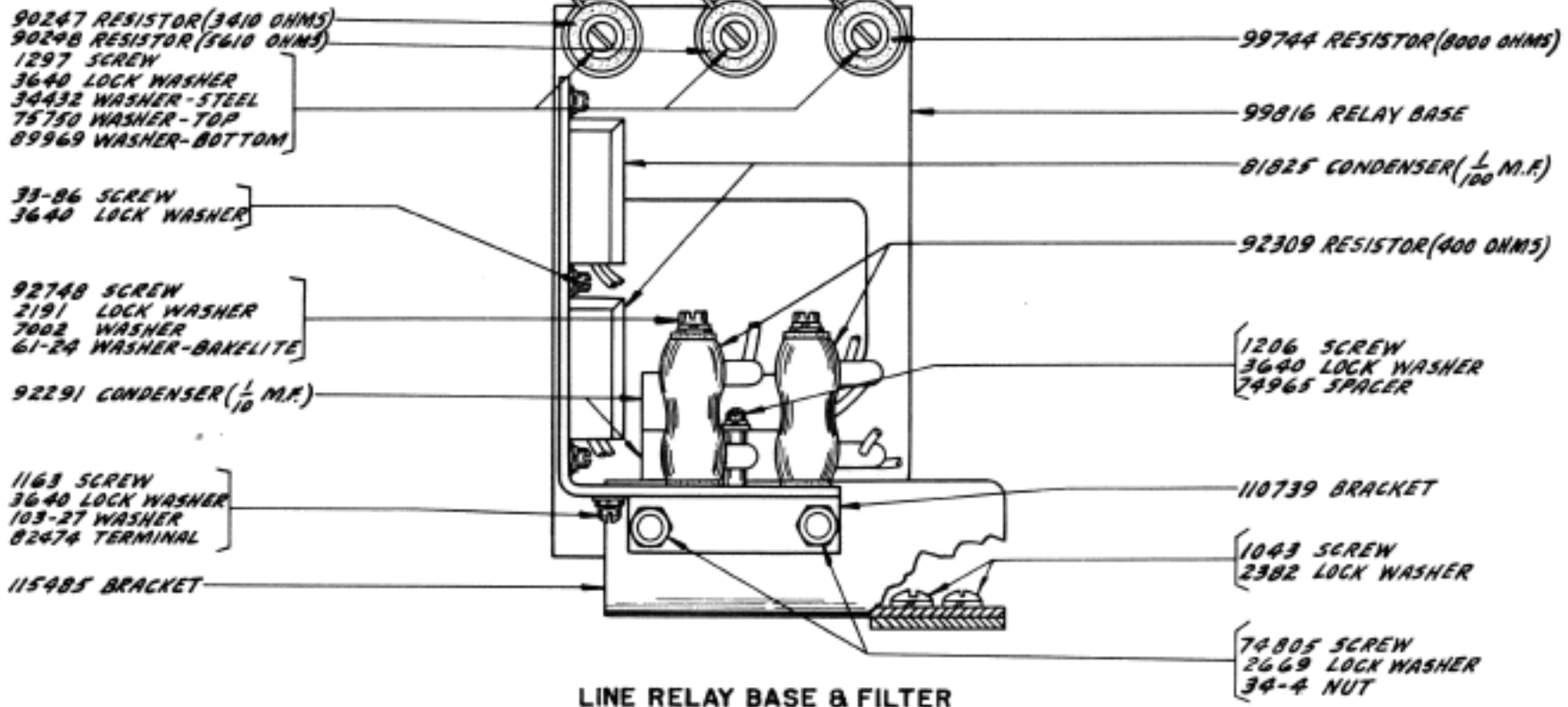
115324 Knob  
1214 Set Screw  
115317 Switch

115324 Knob  
1214 Set Screw  
115318 Switch

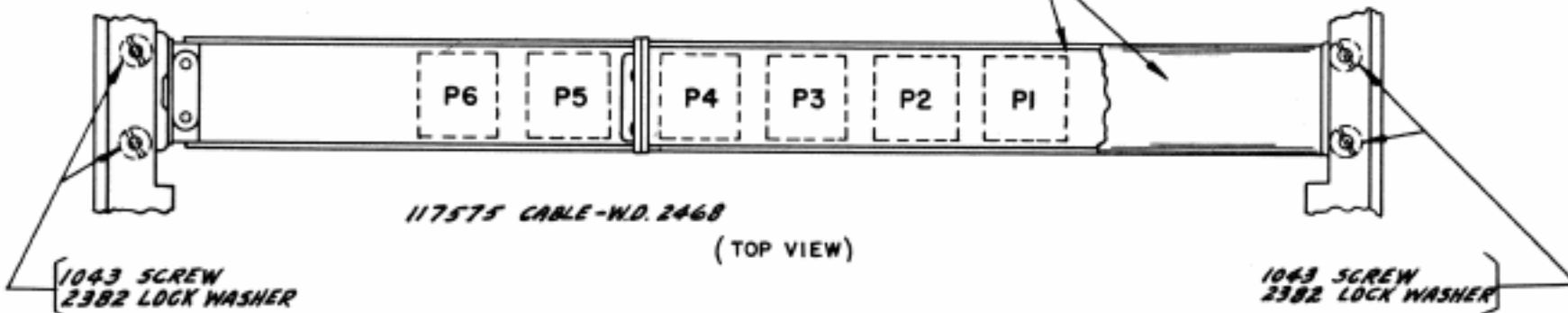
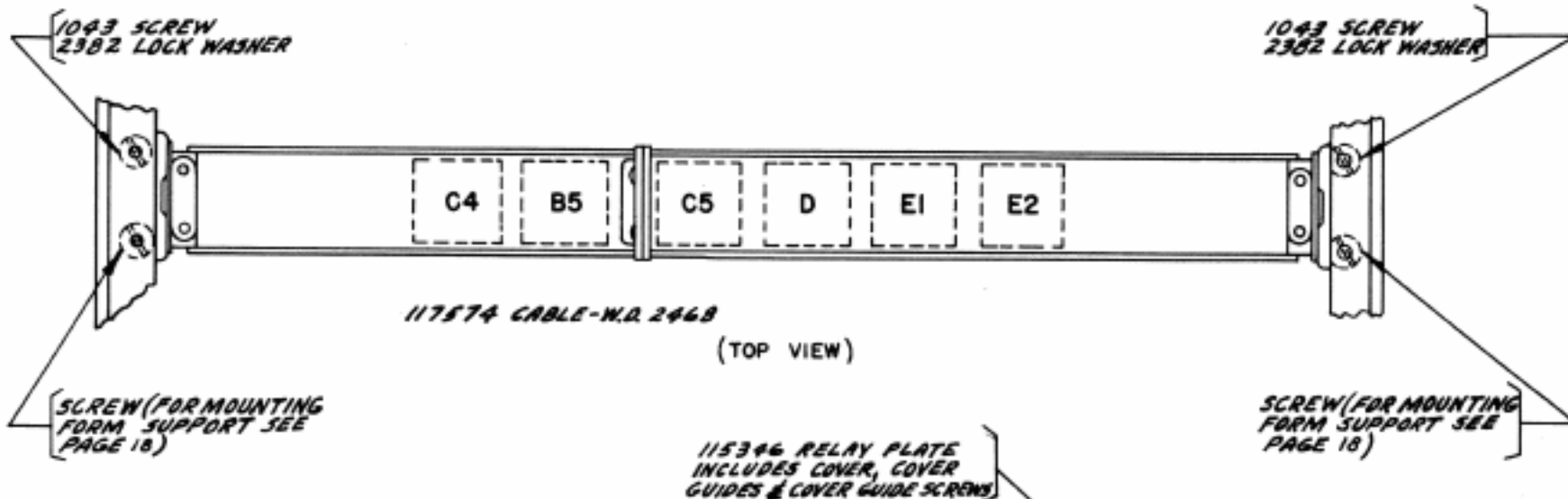
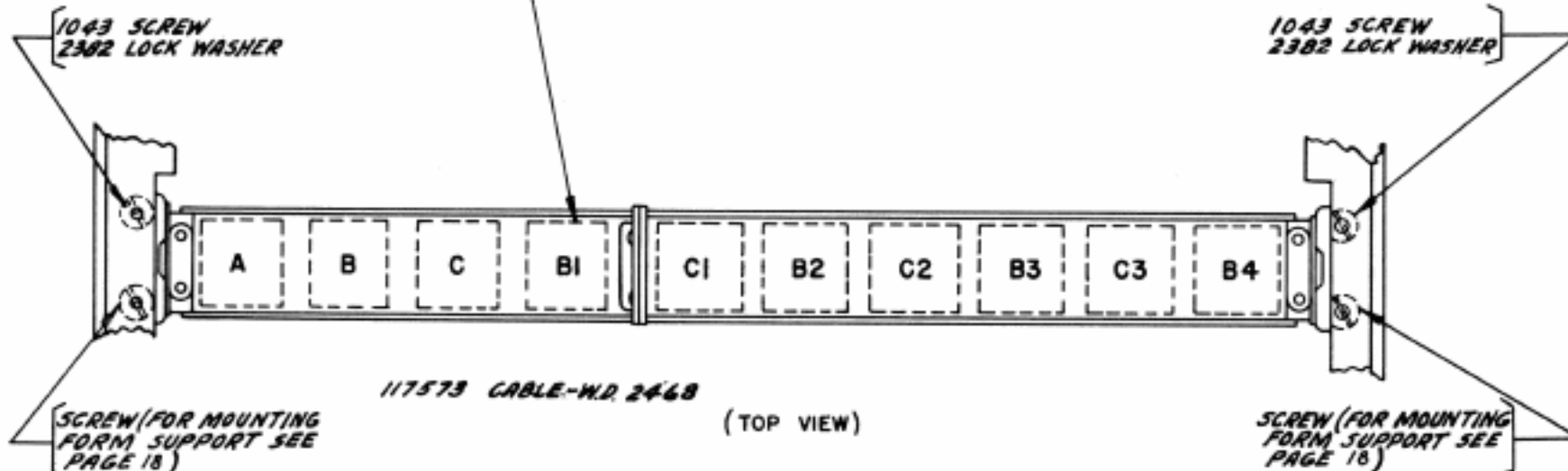
FRONT PANEL  
PRIMARY CONTROL UNIT (CUI)



PRIMARY CONTROL UNIT (CU1)



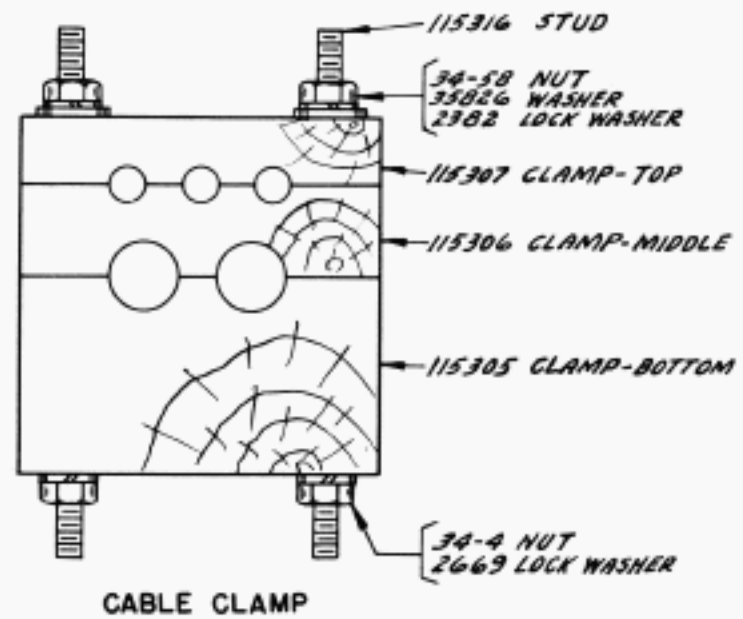
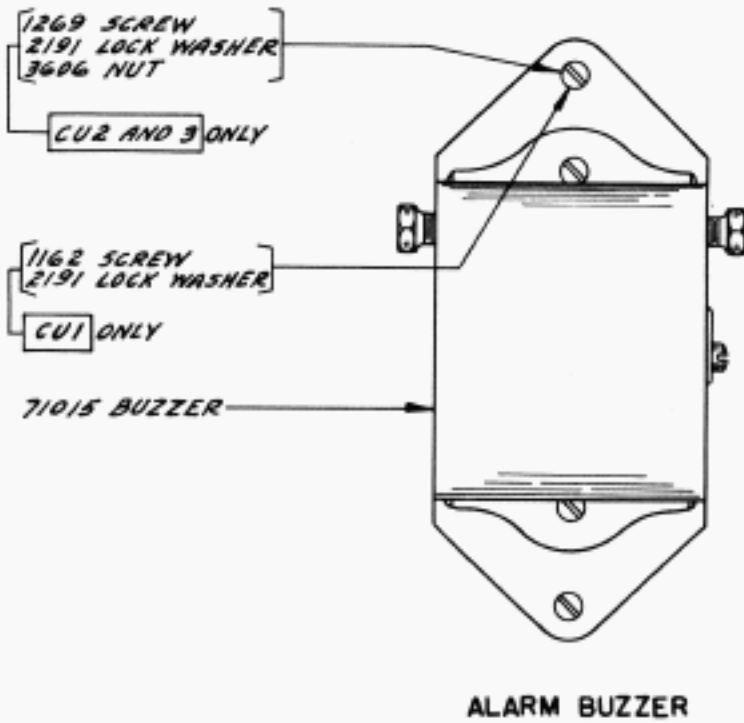
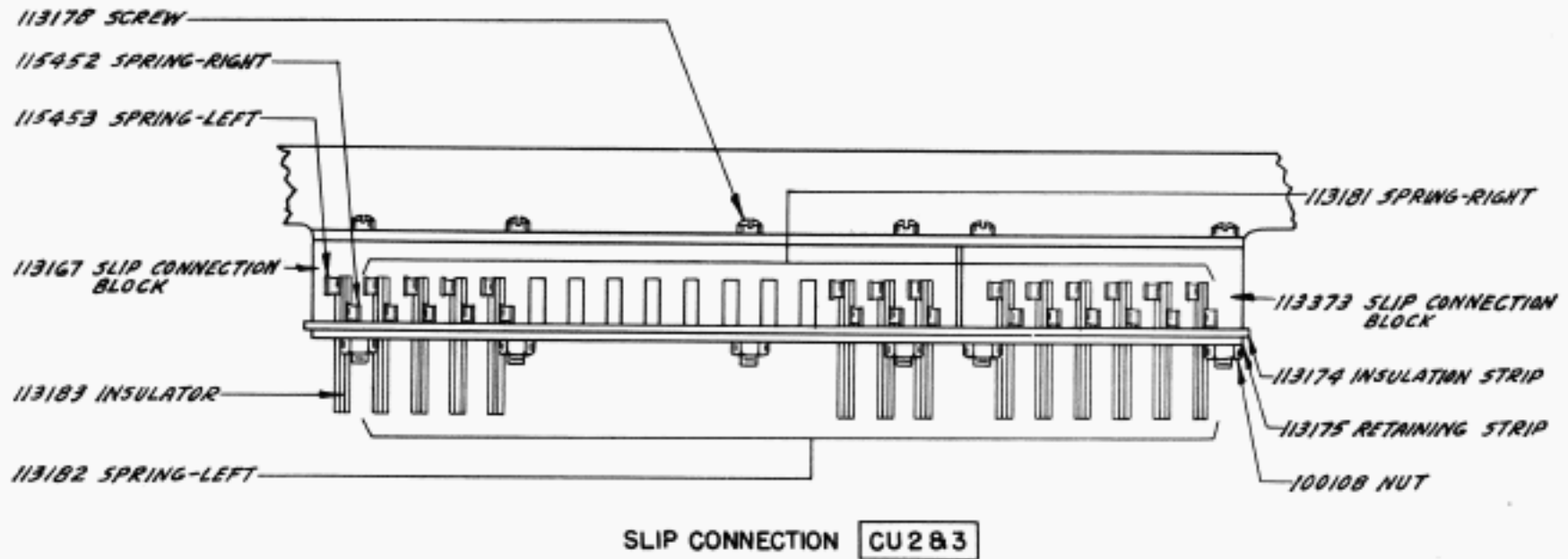
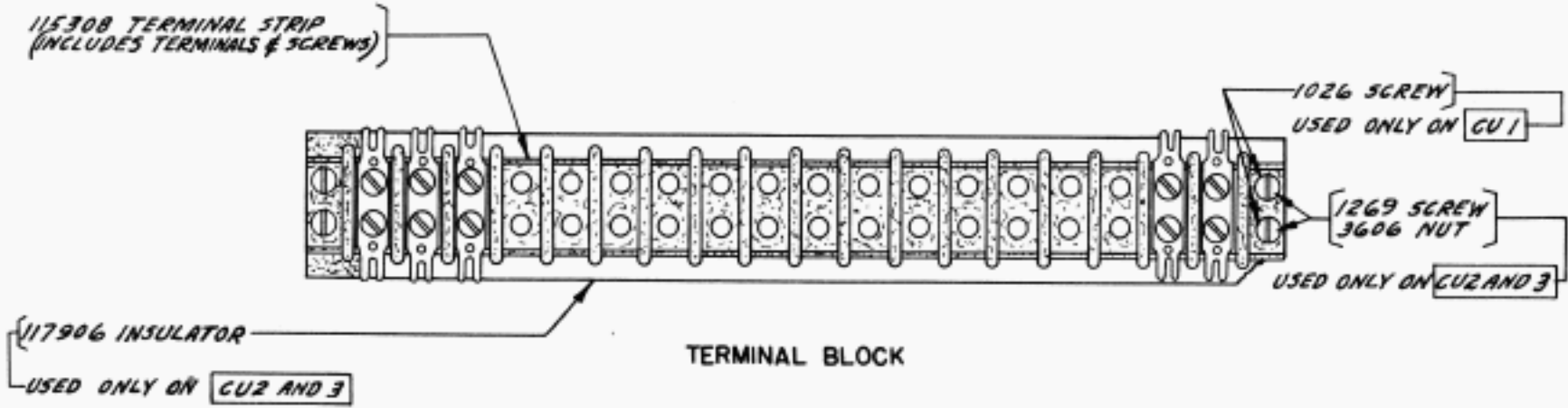
SEE CHART BELOW FOR  
RELAY (ASSEM.) NUMBERS



PRIMARY RELAY CHART											
IDENTIFICATION NUMBER	A	B	C	B1	C1	B2	C2	B3	C3	B4	C4
RELAY (ASSEM.) NUMBER	115326	115326	115326	115326	115326	115326	115326	115326	115326	115326	115326
IDENTIFICATION NUMBER	B5	C5	D	E1	E2	R6	R5	R4	R3	R2	R1
RELAY (ASSEM.) NUMBER	115326	115326	115326	115335	115335	115354	115329	115332	115328	115331	115331

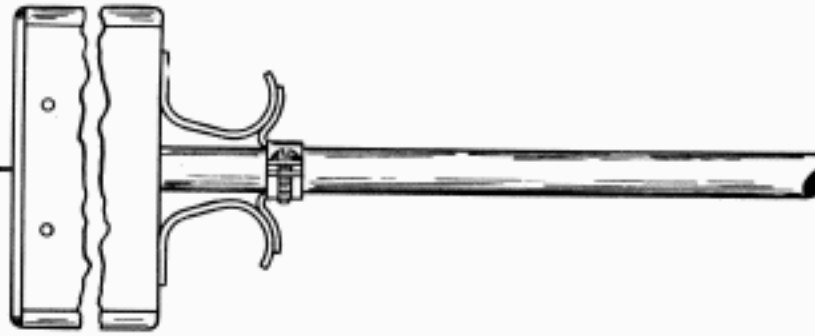
RELAYS AND ASSOCIATED PARTS  
(PRIMARY CONTROL UNIT)





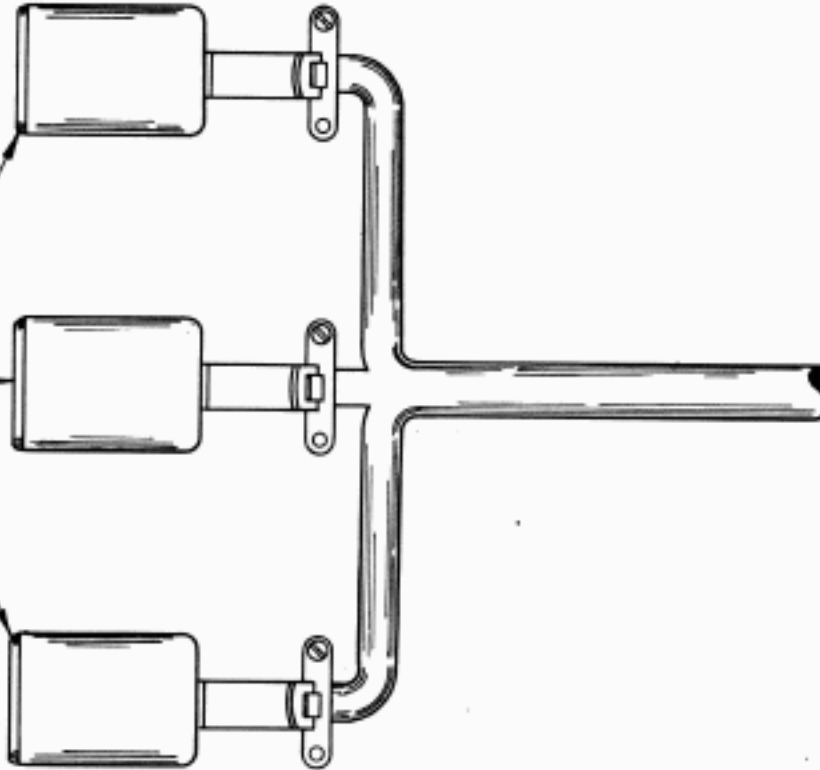
ALL PARTS SHOWN ON THIS PAGE  
ARE COMMON TO CU1, 2 & 3  
UNLESS OTHERWISE SPECIFIED

115379 RECEPTACLE



115310 CORD (ASSEM.) (APPROX. 38" LONG)

115379 RECEPTACLE



115311 CORD (ASSEM.) (APPROX. 28" LONG)  
115349 CORD (ASSEM.) (APPROX. 38" LONG)

95063 PLUG-3 PRONG



82474 TERMINALS USED  
ON ALL CORD ASSEMBLIES  
SHOWN ON THIS PAGE.

115342 CORD (ASSEM.) (APPROX. 50" LONG)

115363 PLUG



115366 LINE CORD (ASSEM.) (APPROX. 65" LONG)

95064 PLUG-4 PRONG



115471 CORD (ASSEM.) (APPROX. 50" LONG)

CORDS & PLUGS  
(PRIMARY CONTROL UNIT)

{104082 Screw  
2846 Washer  
2322 Lock Washer}  
For mounting Control  
Unit

{3606 Nut  
115589 Washer-Cupped  
115590 Screw

115459 Cross Bar

{83885 Nut  
76099 Washer  
2191 Lock Washer

97296 Screw

{115382AB Control Unit  
Blank  
(Gray Green Wrinkle)

115457 Catch

{6810 Screw  
3438 Washer  
2669 Lock Washer  
3606 Nut

{33-198 Screw  
2191 Lock Washer  
7002 Washer}

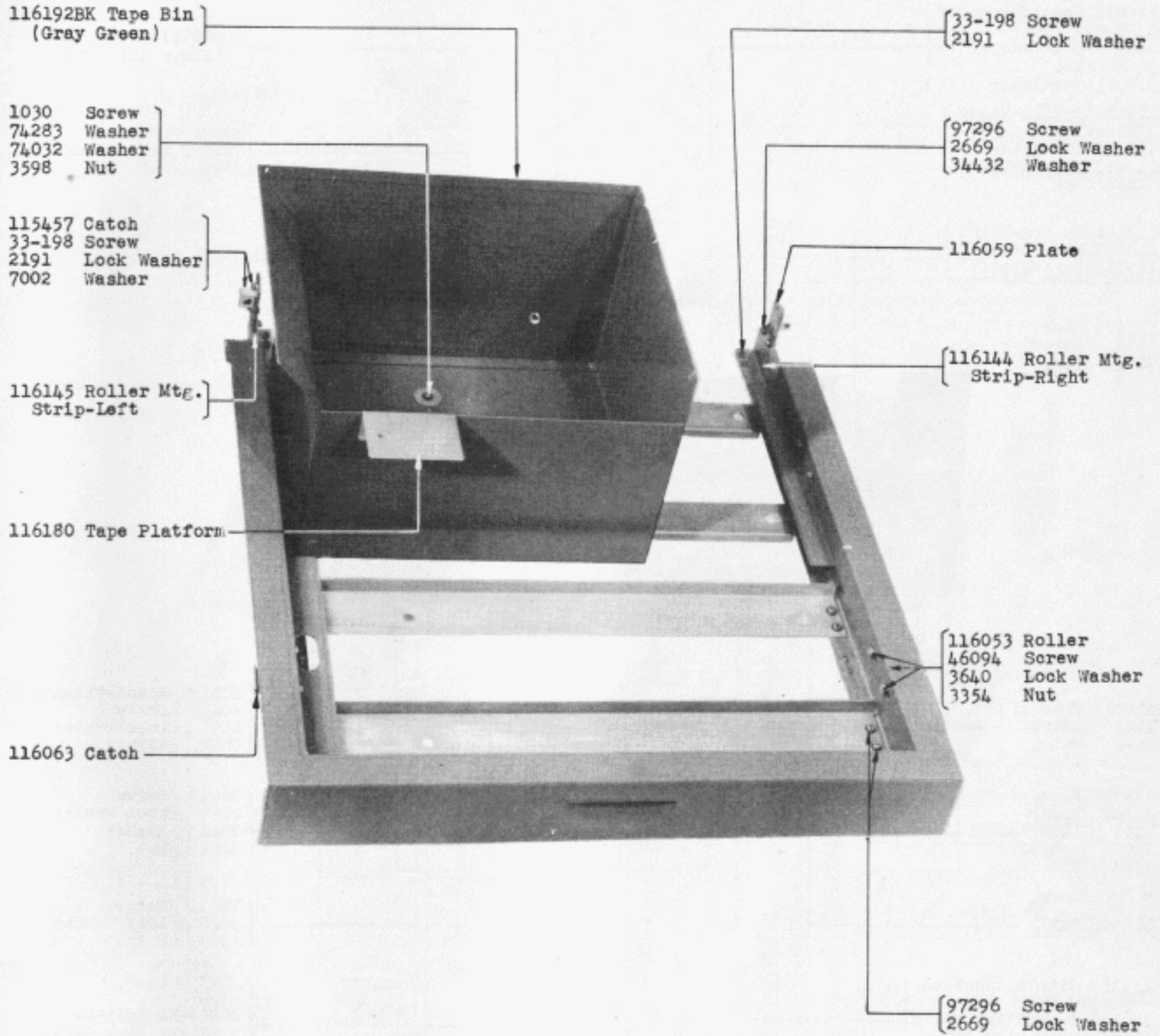
115480 Plate

{116053 Roller  
33-179 Screw  
3646 Lock Washer  
5599 Nut

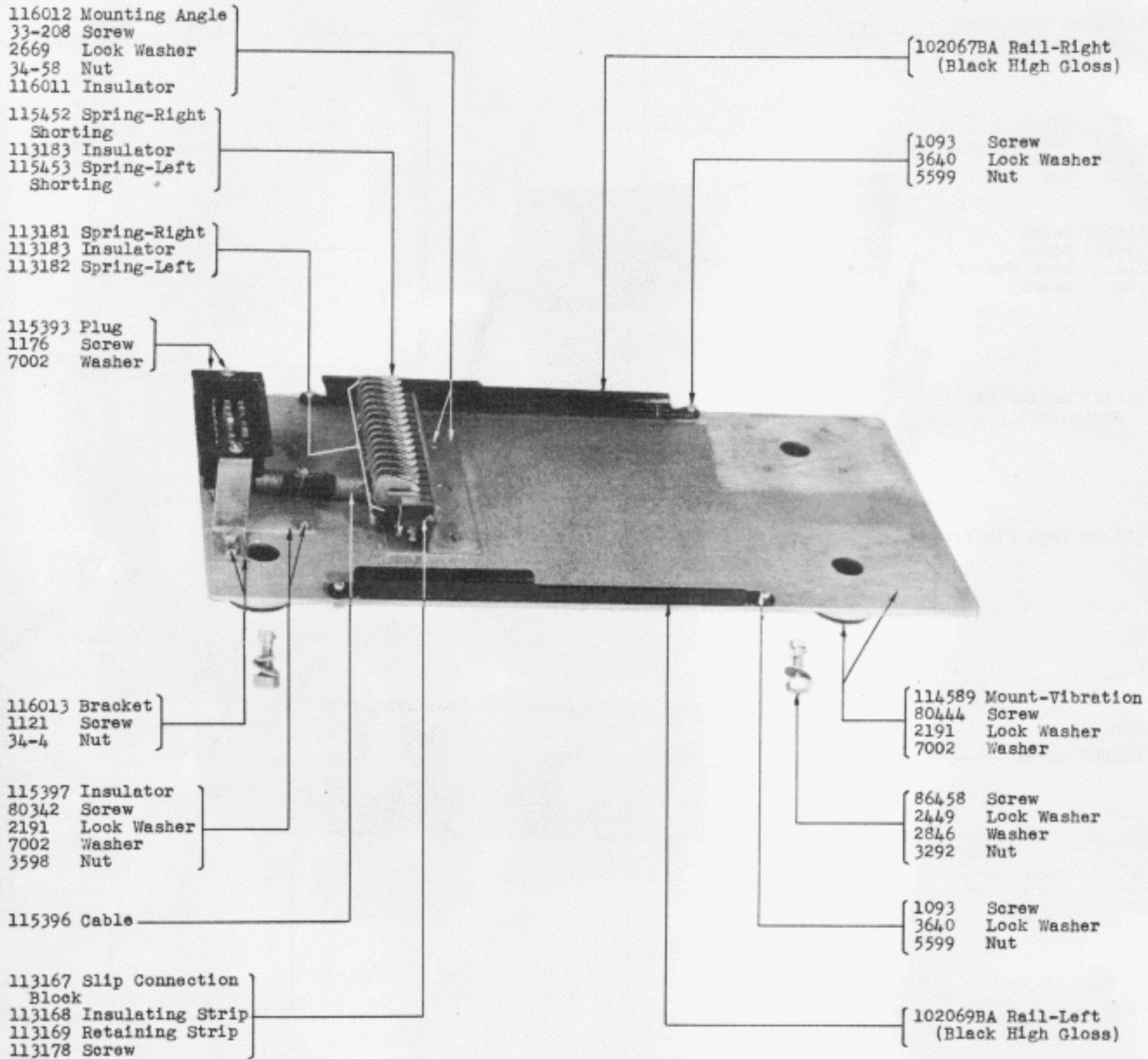
{115460 Bracket  
1176 Screw  
2191 Lock Washer

CONTROL UNIT SHELF  
(SECONDARY)

(B-1141)



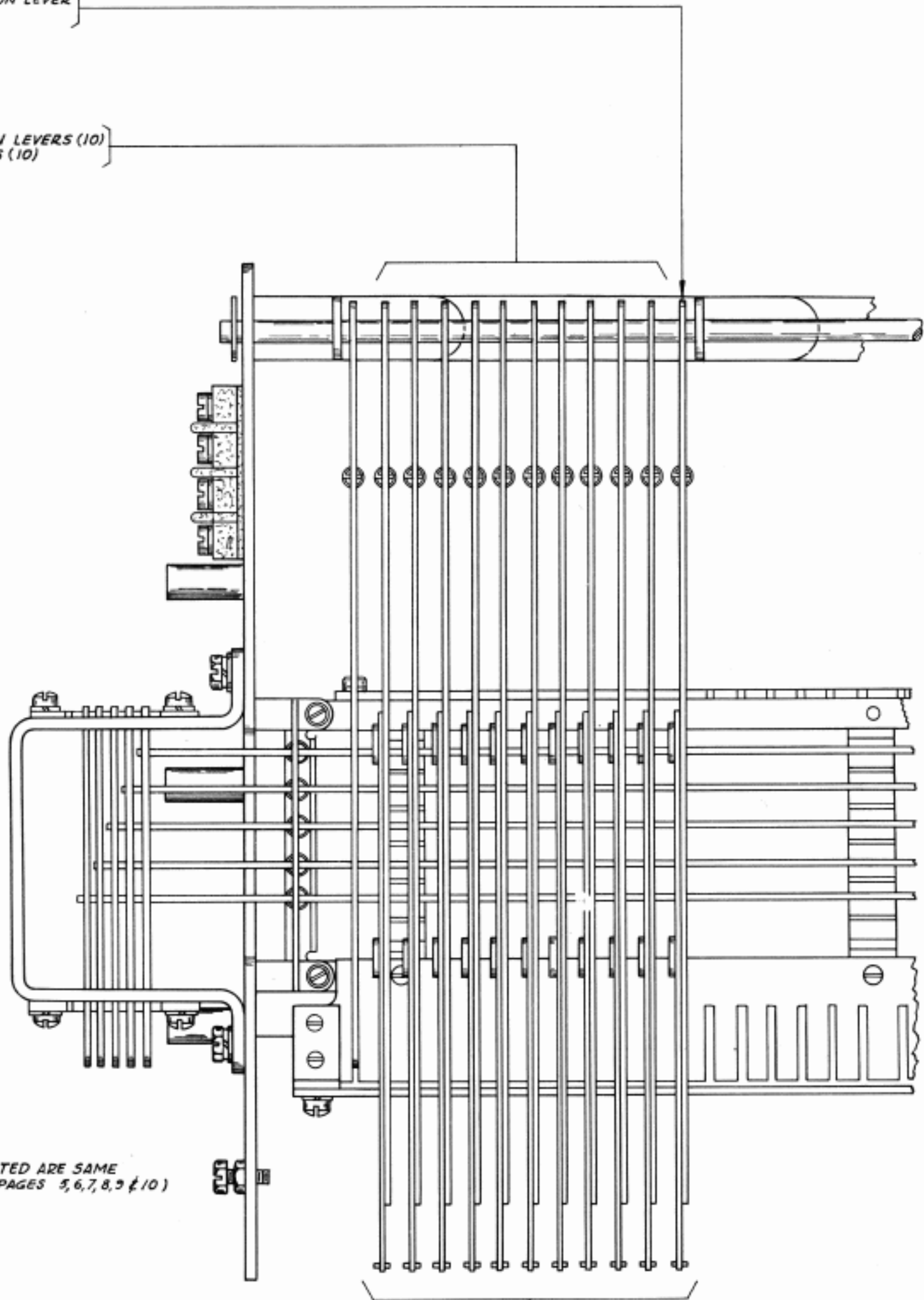
TRANSMITTER DISTRIBUTOR SHELF  
(SECONDARY)



TRANSMITTER DISTRIBUTOR MOUNTING PLATE (ASSEM.)  
(SECONDARY)

115294 FUNCTION LEVER  
4708 SPRING

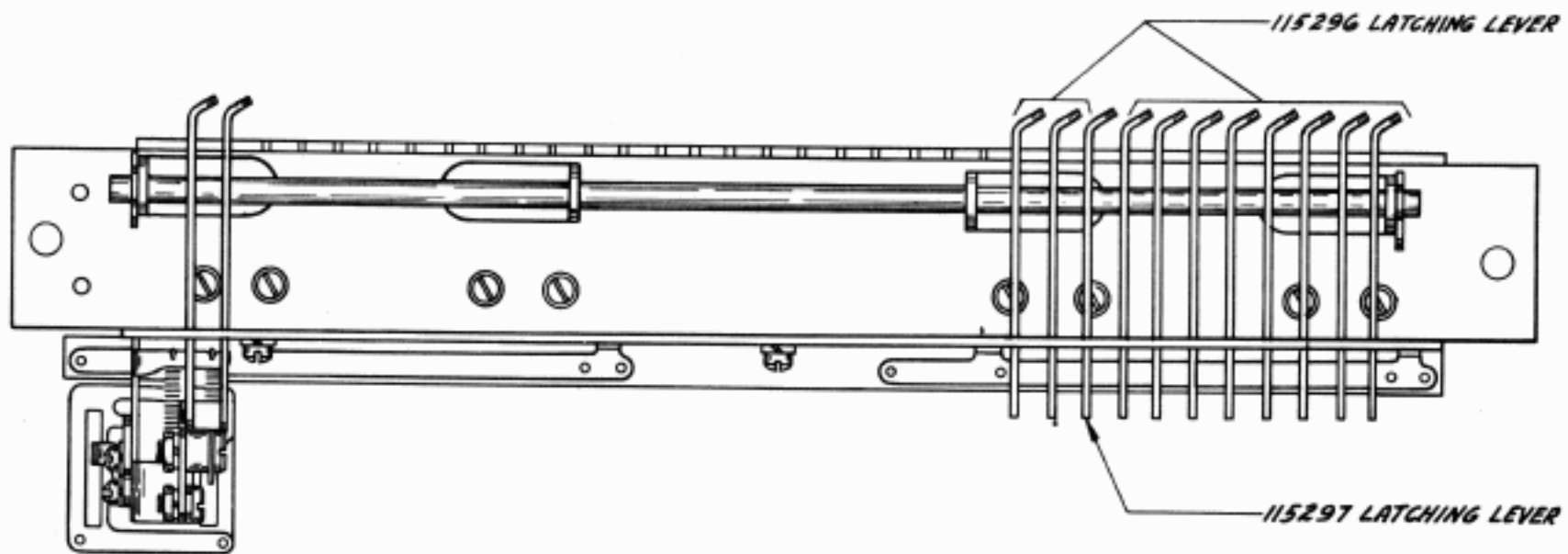
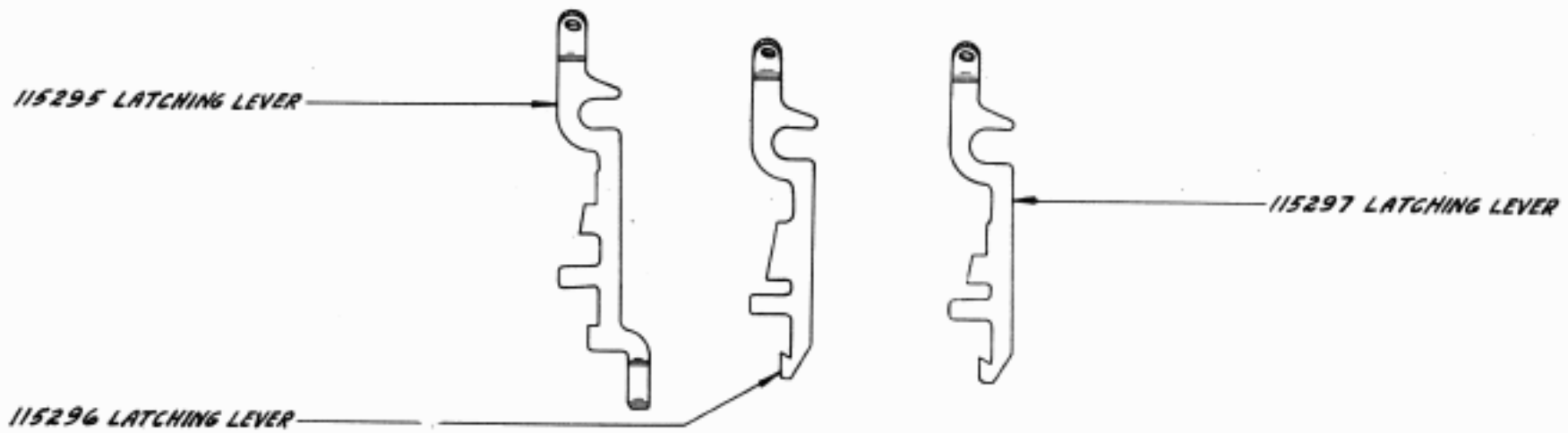
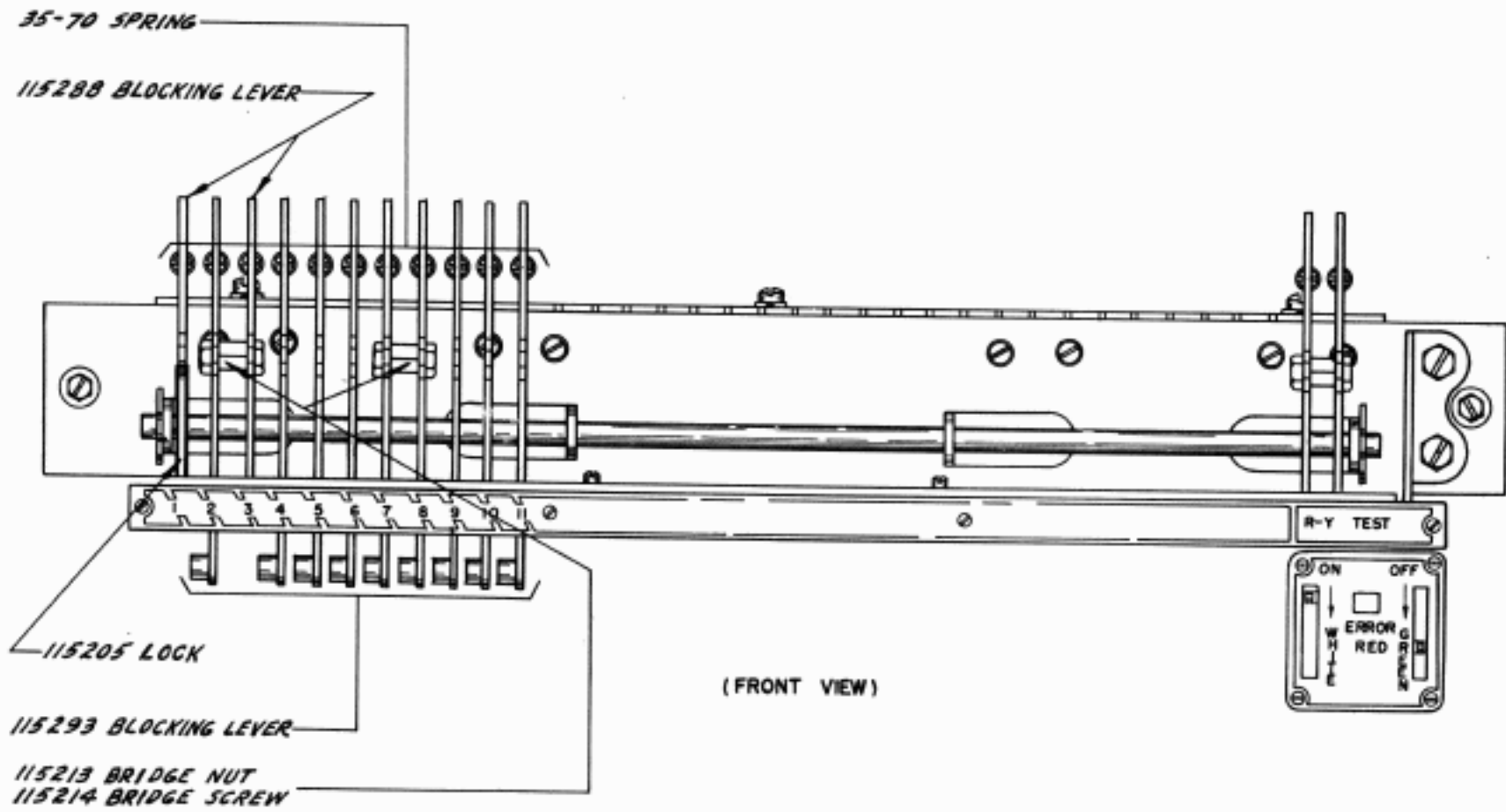
115179 FUNCTION LEVERS (10)  
55090 SPRINGS (10)



PARTS NOT LISTED ARE SAME  
AS BS1A (SEE PAGES 5,6,7,8,9 & 10)

CODE LEVERS  
(SEE CHART ON PAGE 14)

SEQUENTIAL SELECTOR (BS1B) LEFT SIDE  
( TOP VIEW )



PARTS NOT LISTED ARE SAME  
AS BS1A (SEE PAGE 11)  
115249 CABLE-W.D. 2470

SECONDARY BLOCKING AND LATCHING LEVER ASSEM (BSIB)  
(REAR VIEW)

112927 Cap-Amber  
112929 Lamp-Neon  
112926 Socket

115320 Cap-Red  
112929 Lamp-Neon  
112926 Socket

112928 Cap-Clear  
112929 Lamp-Neon  
112926 Socket

92265 Screw

115323 Push Button

115322 Push Button

115356 Push Key

115355 Push Key

115355 Push Key

107393 Toggle Switch

107393 Toggle Switch

Resistors  
Used only on CU2  
(See Page 30)

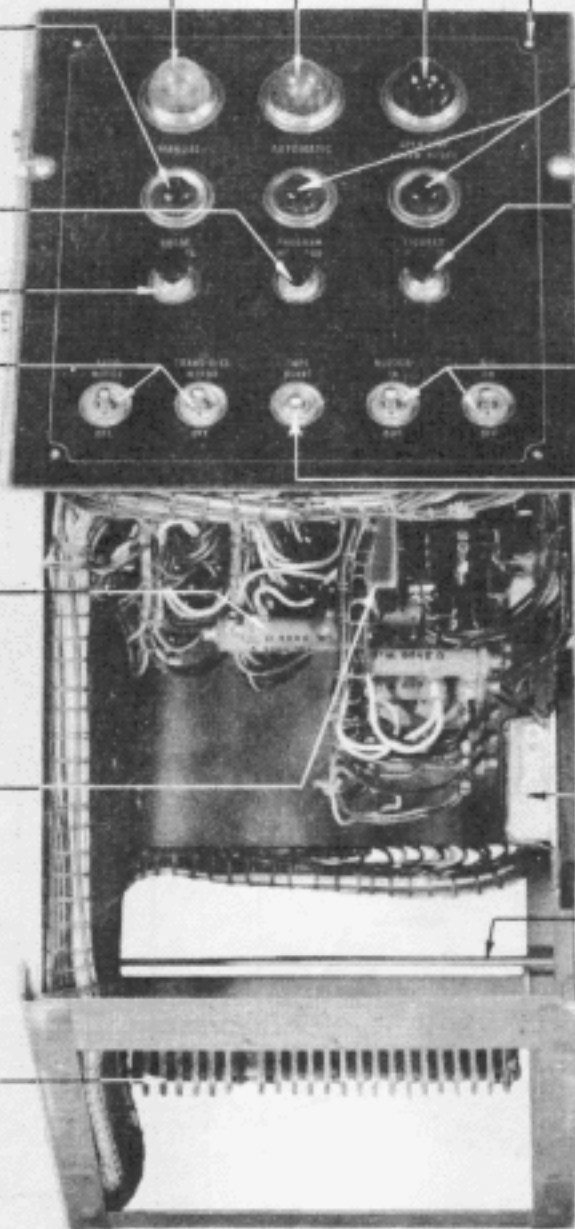
116932 Cover

Line Relay Bracket  
(Assem.) (See Page  
30)

Buzzer (See Page 21)

89407 Cotter Key  
117601 Shaft

Slip Connection  
(See Page 21)

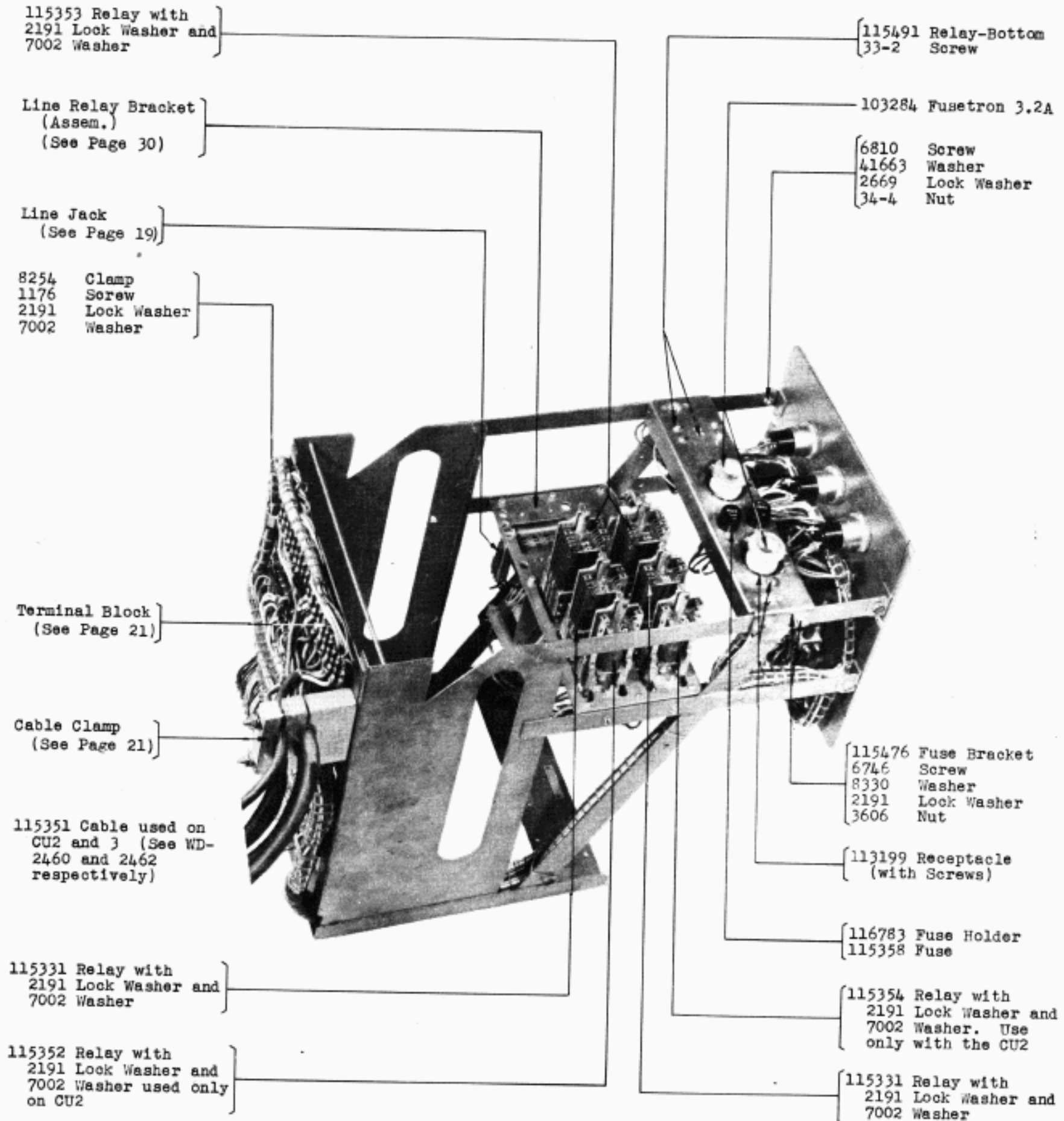


SECONDARY CONTROL UNIT (BOTTOM VIEW)

All parts shown on this page are common  
to CU2 and 3 unless otherwise specified.



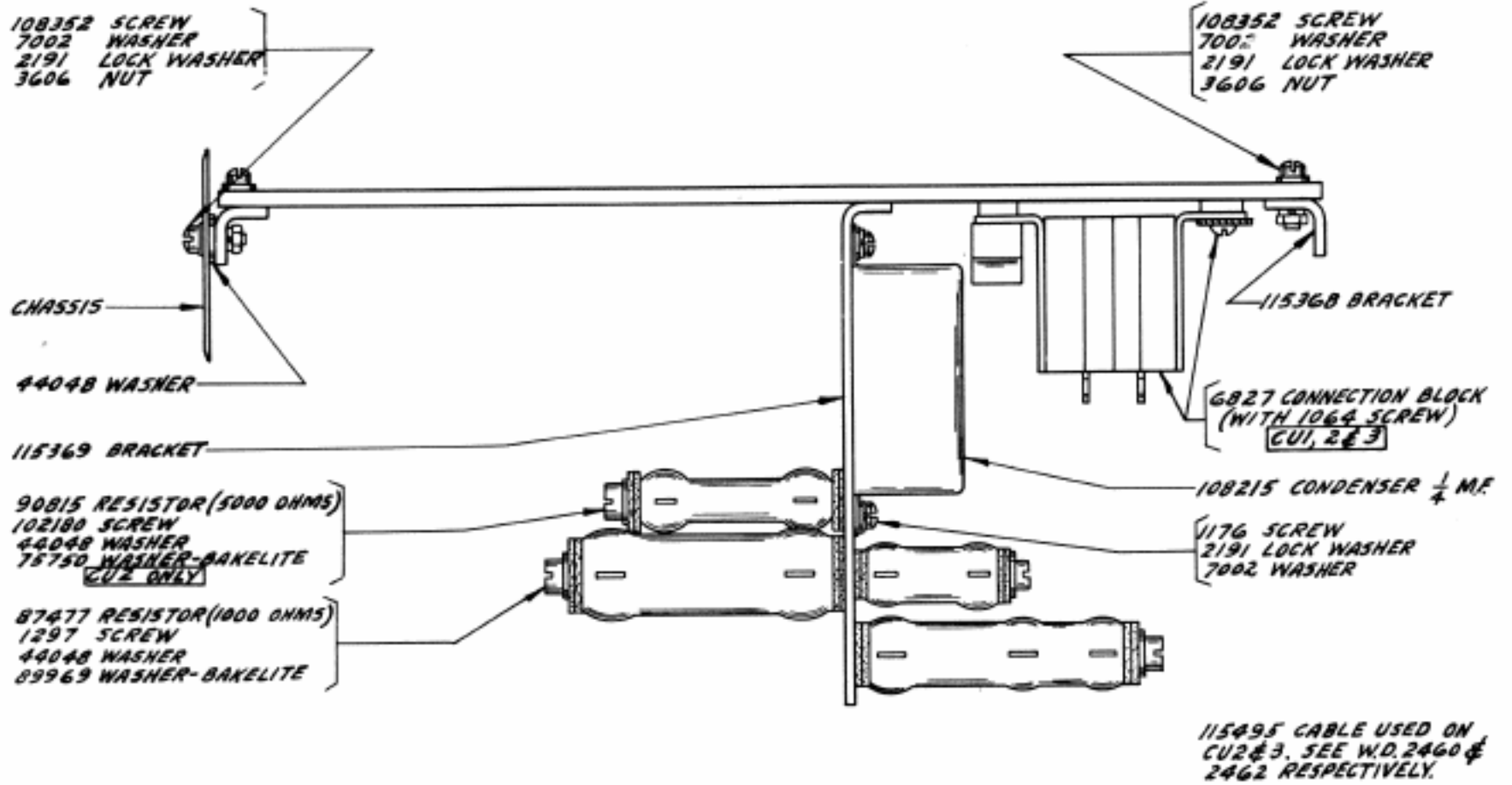
(B-1141)



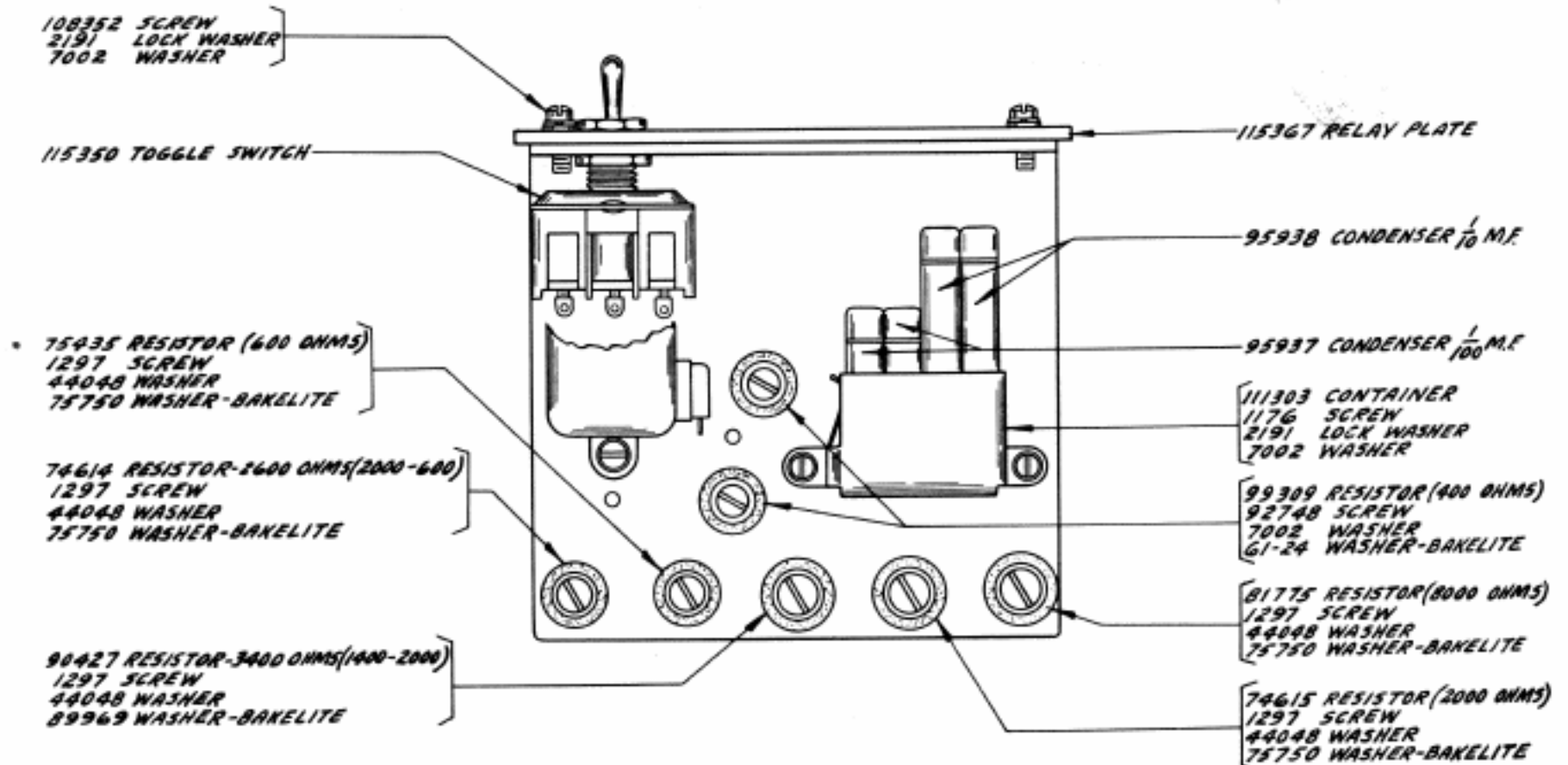
SECONDARY CONTROL UNIT (ASSEM.)

(TOP VIEW)

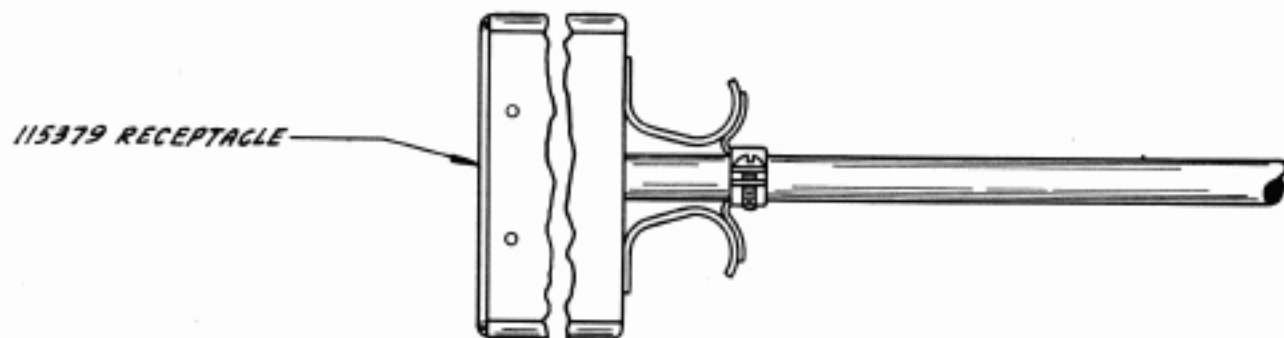
All parts shown on this page are  
common to CU2 and 3 unless other-  
wise specified.



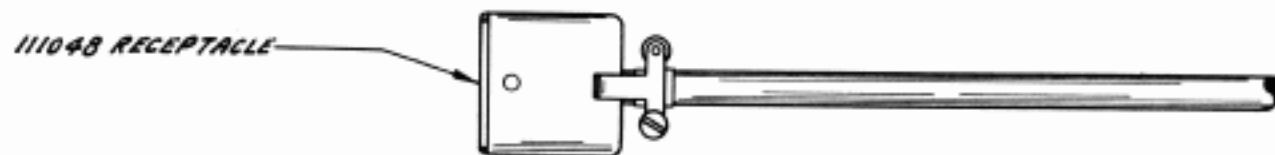
( FRONT VIEW )



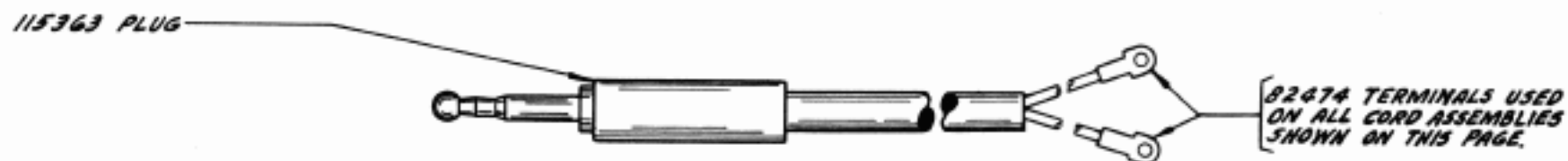
LINE RELAY BRACKET ASSEM  
( RIGHT END VIEW )



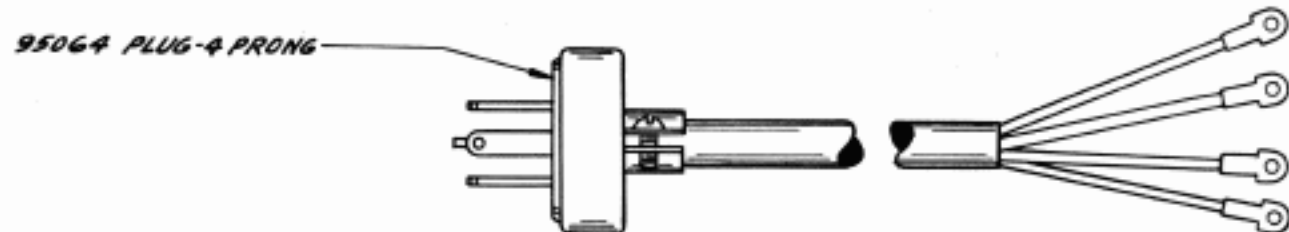
115357 CORD (ASSEM.) - (APPROX. 52" LONG)  
115360 CORD (ASSEM.) - (APPROX. 39" LONG)



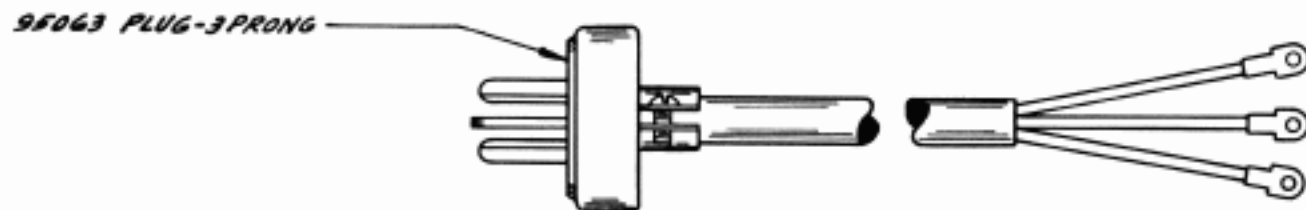
115365 CORD (ASSEM.) - (APPROX. 30" LONG)



115366 LINE CORD (ASSEM.) - (APPROX. 65" LONG)

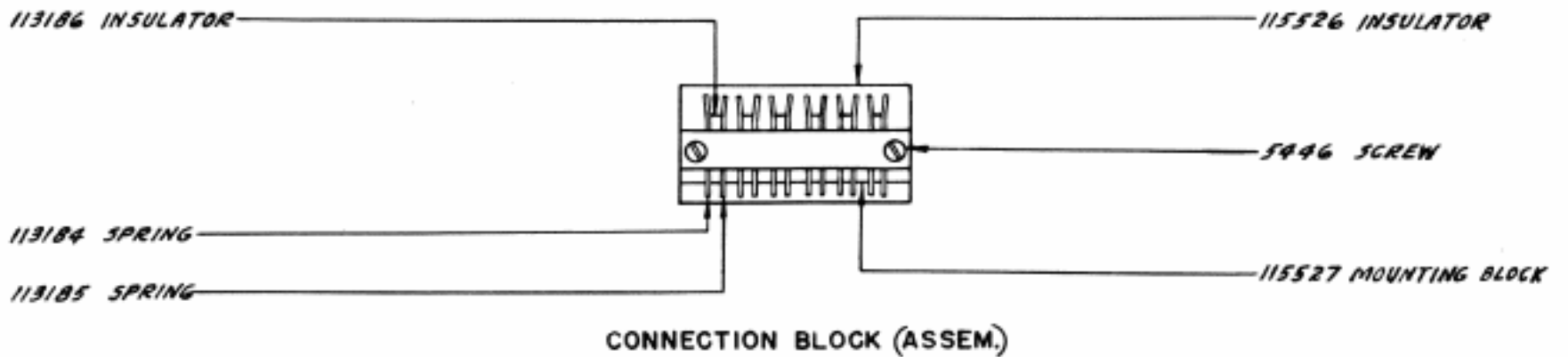
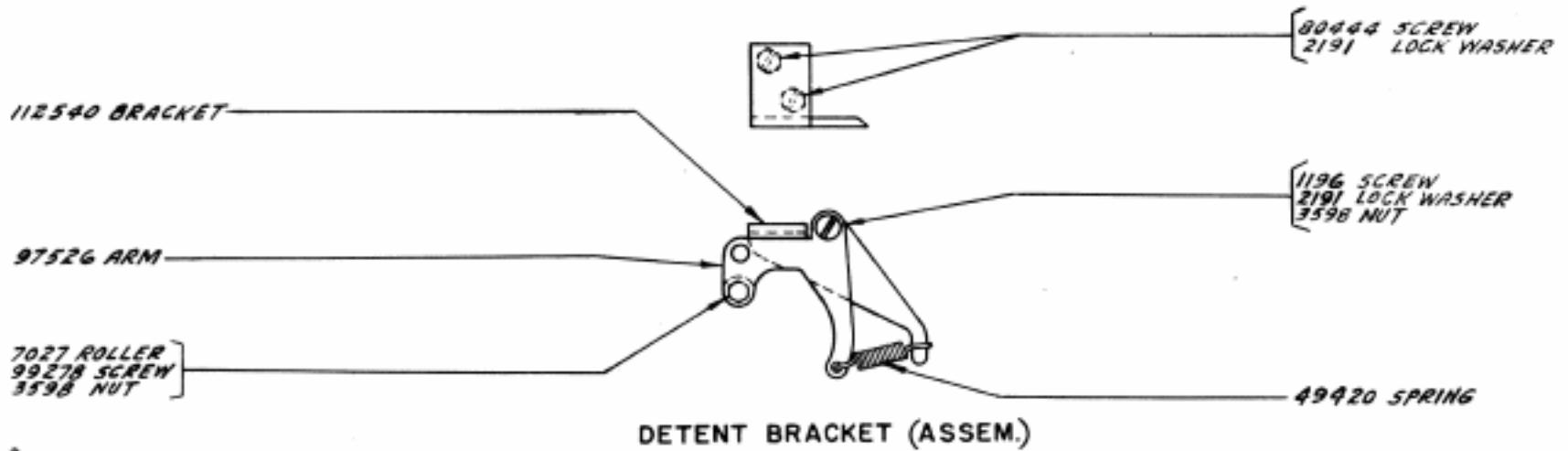
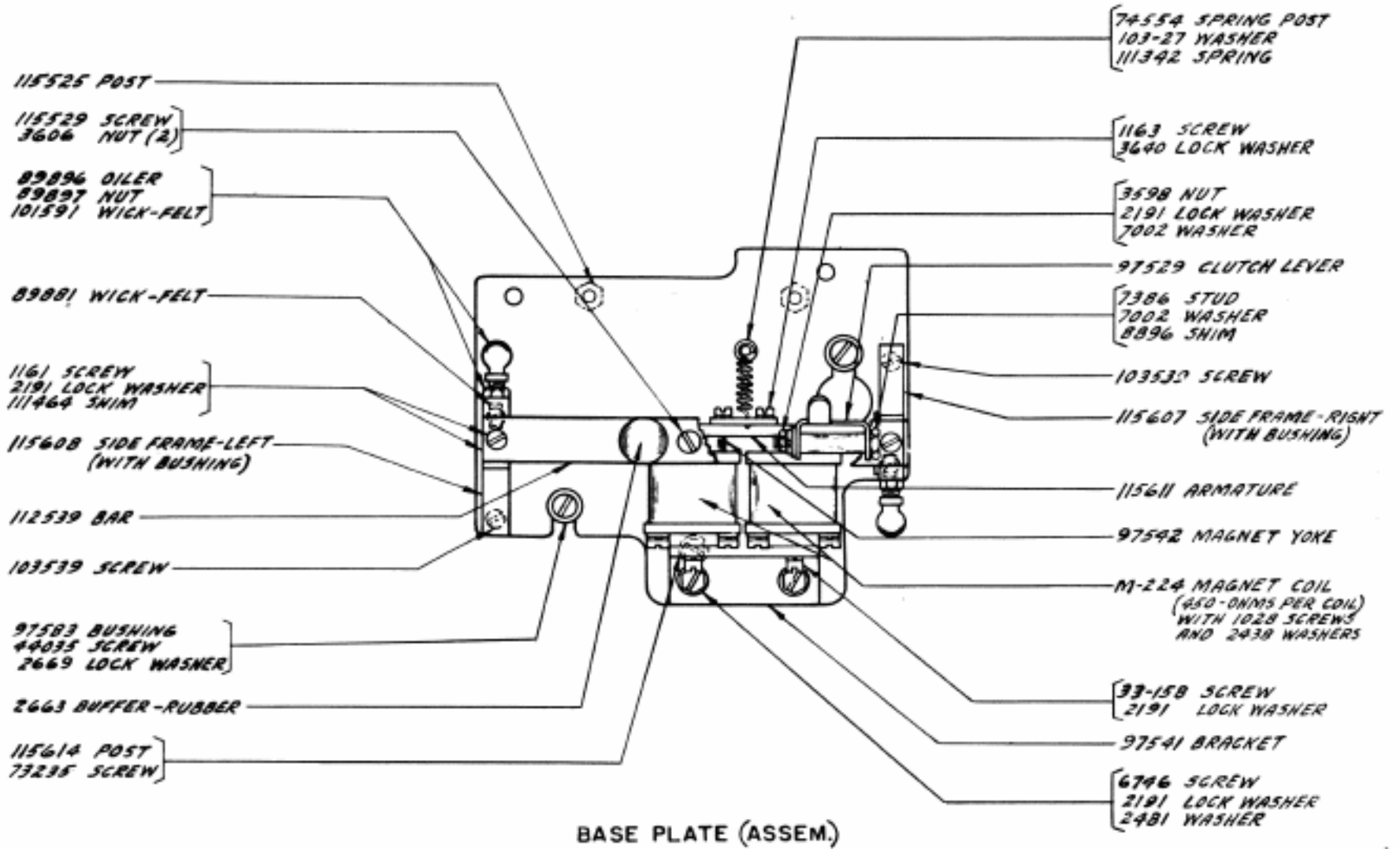


115388 CORD (ASSEM.) - (APPROX. 57" LONG)

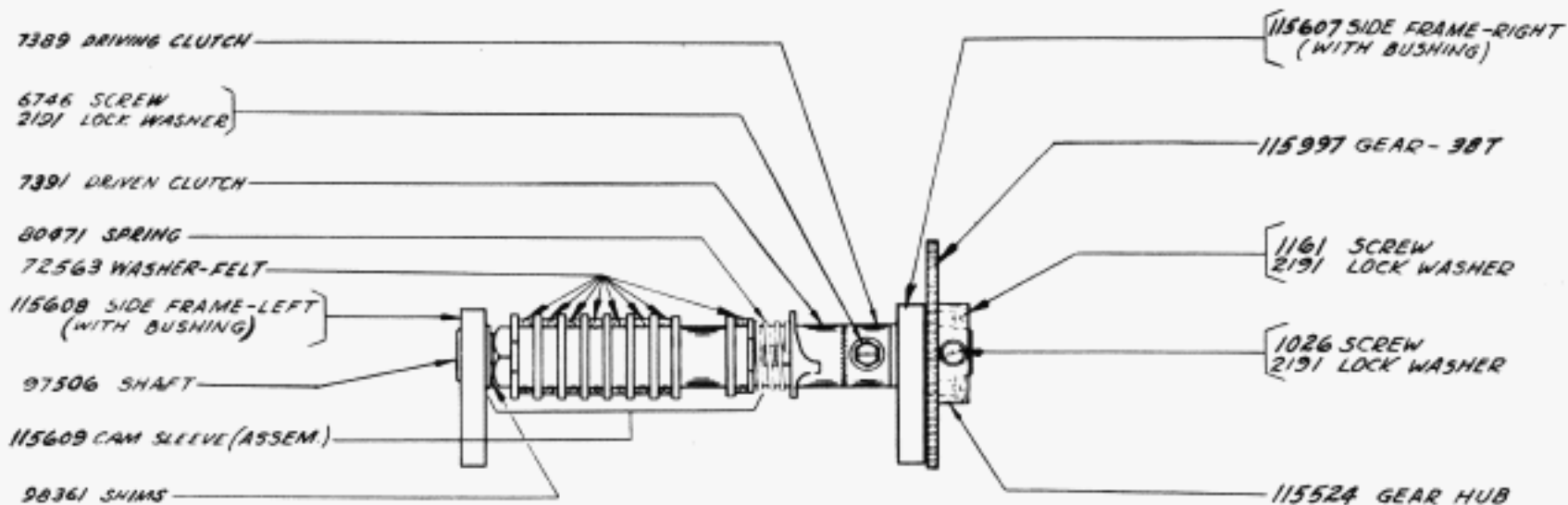


115389 CORD (ASSEM.) - (APPROX. 57" LONG)

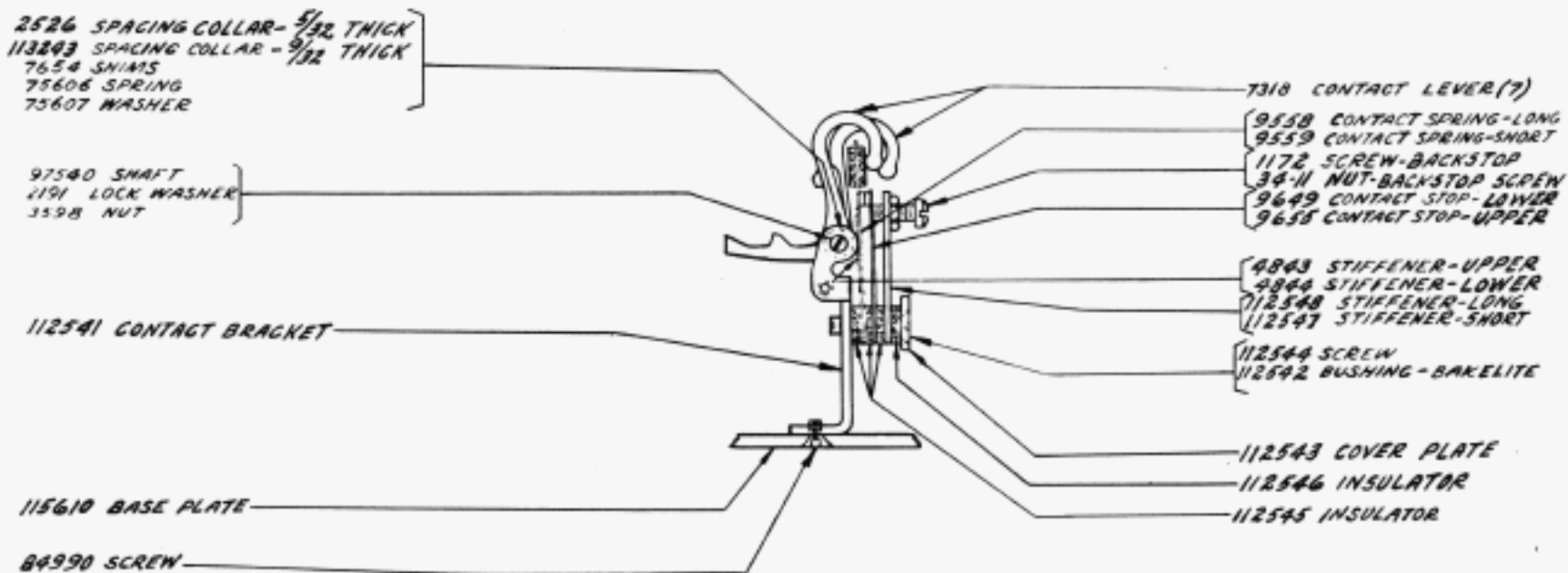
CORDS & PLUGS  
(SECONDARY CONTROL UNIT)



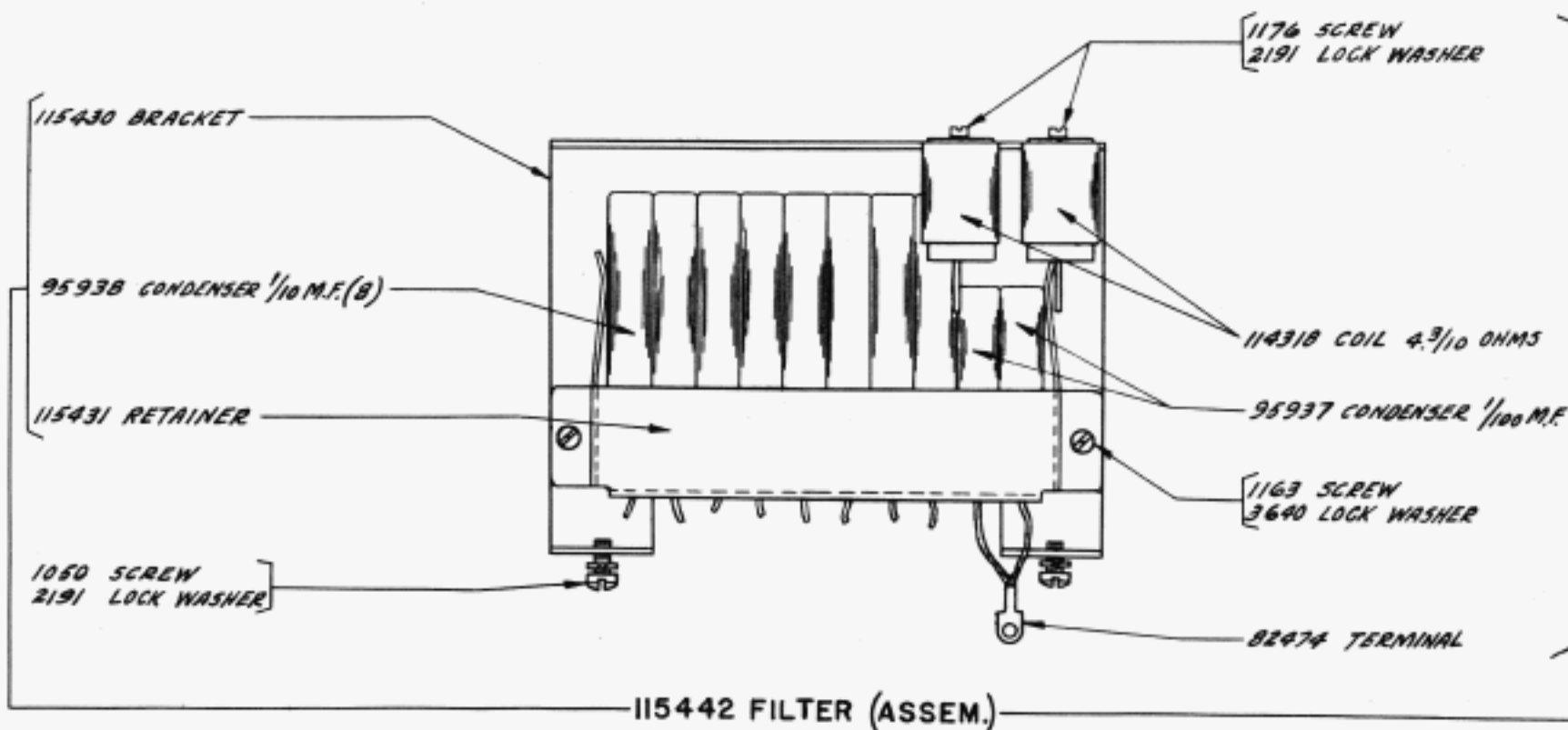
115473 CABLE (W.D. 2451)



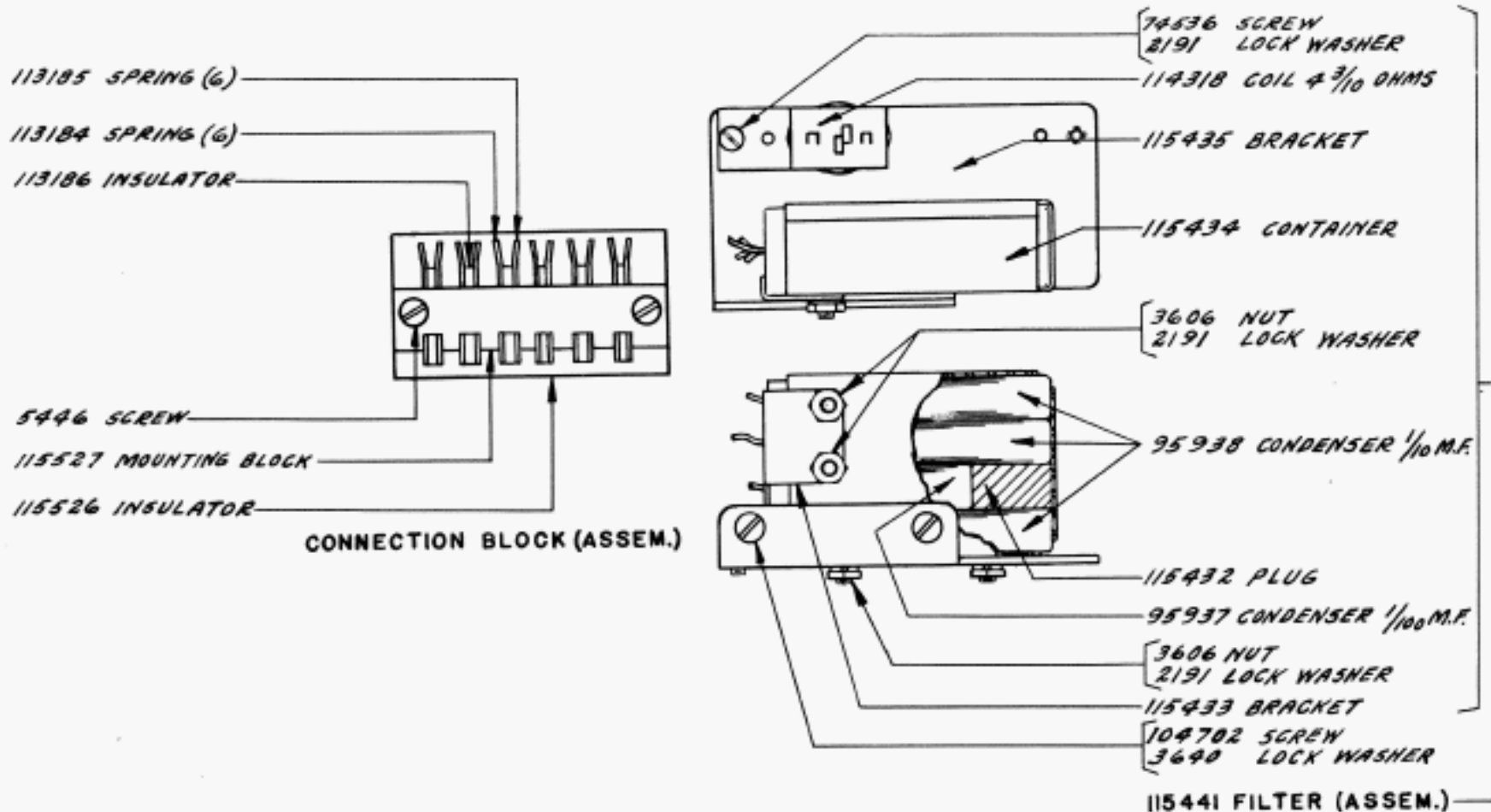
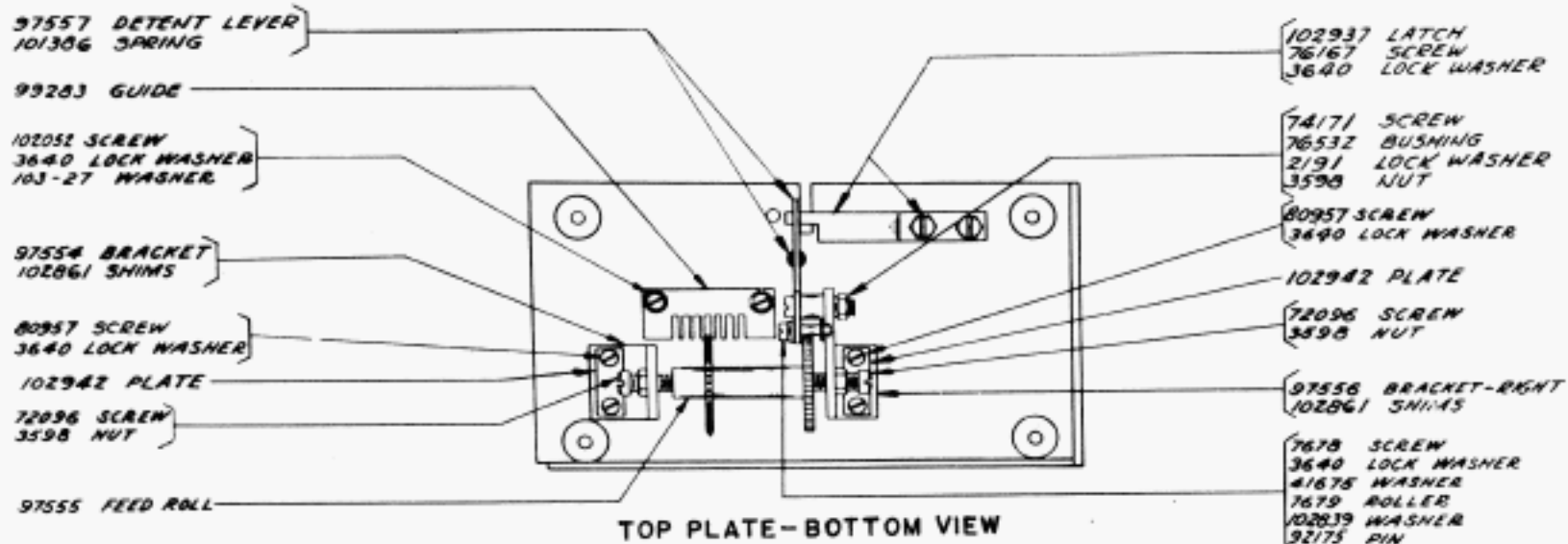
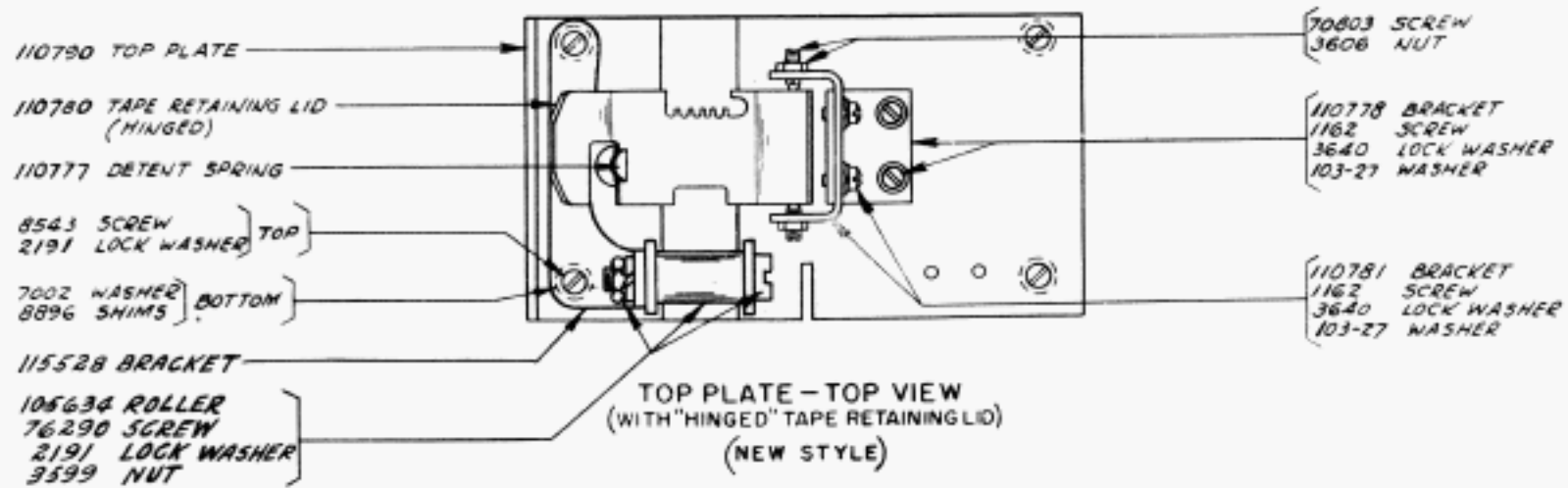
SHAFT (ASSEM.)

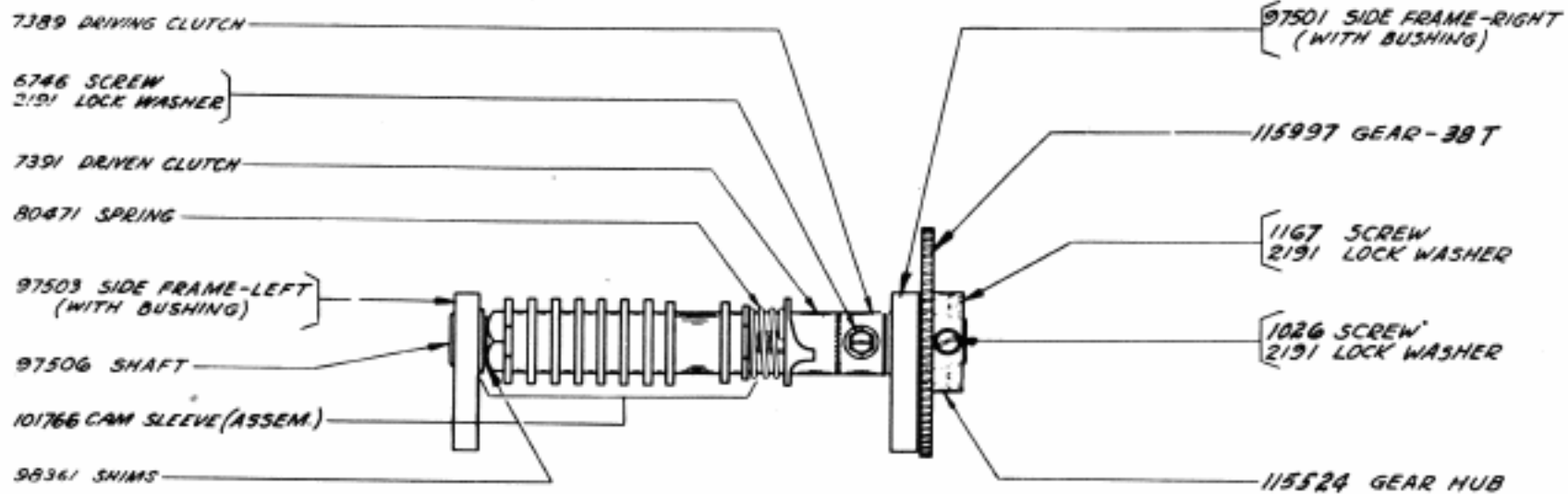


CONTACT LEVER (ASSEM.)

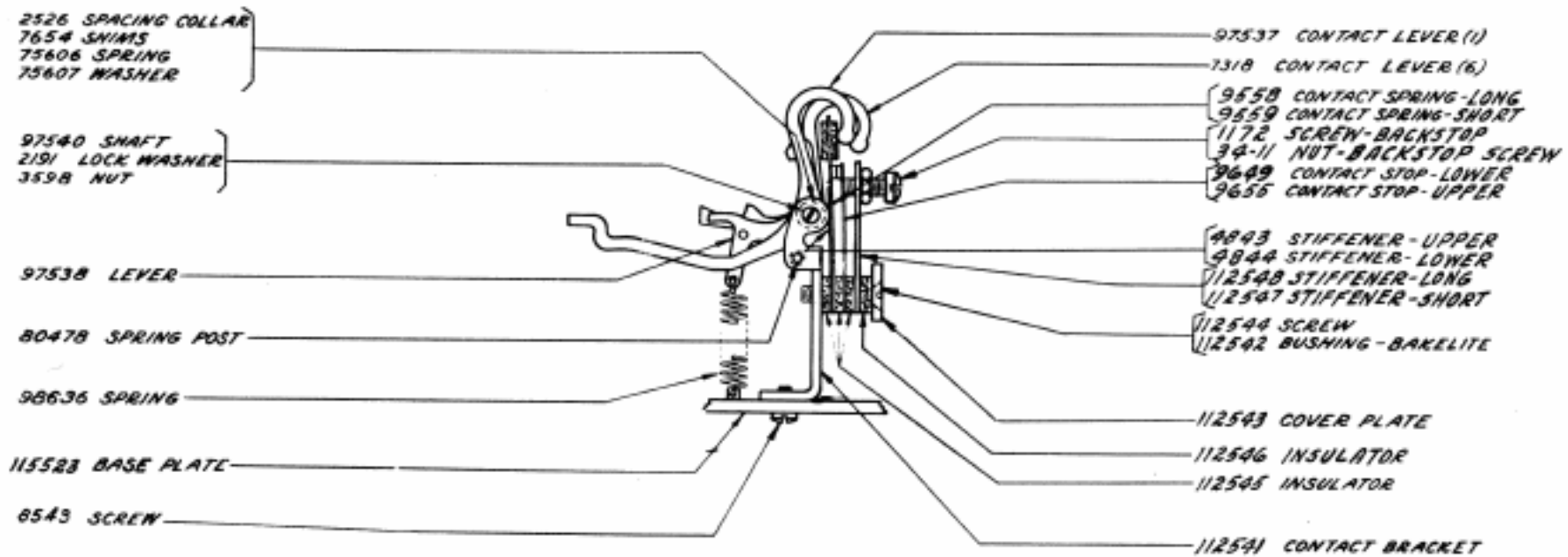


115442 FILTER (ASSEM.)

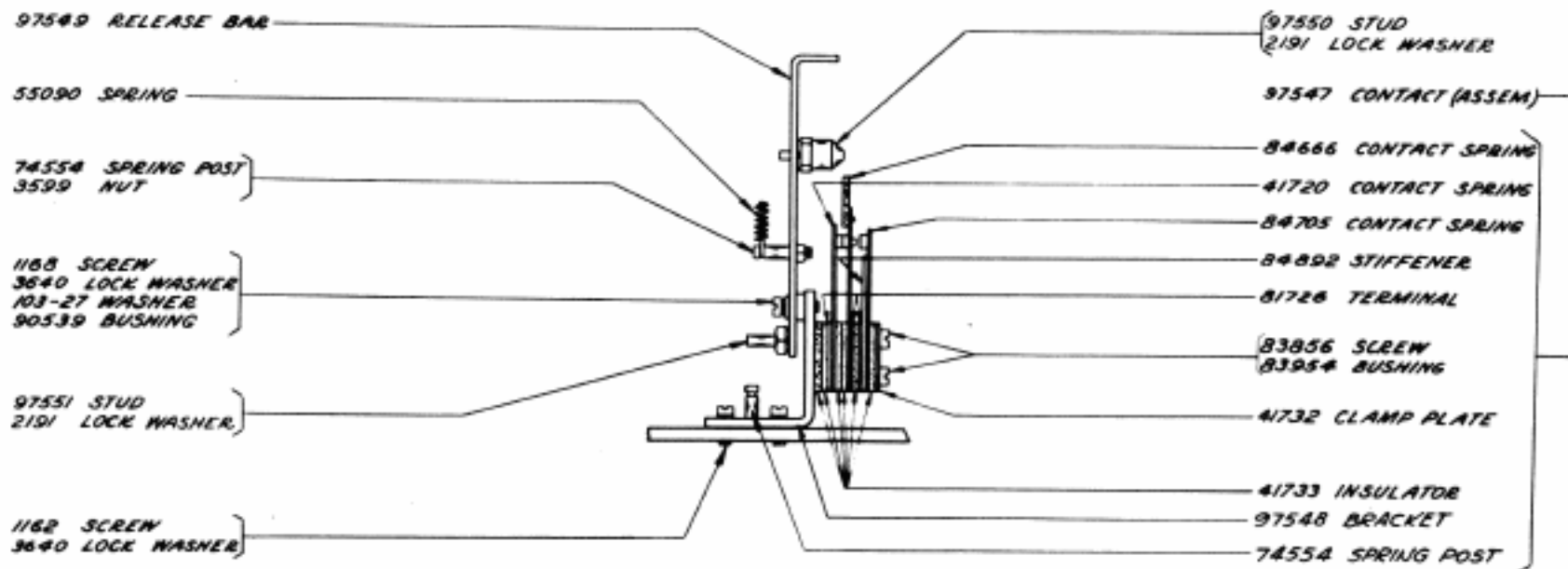




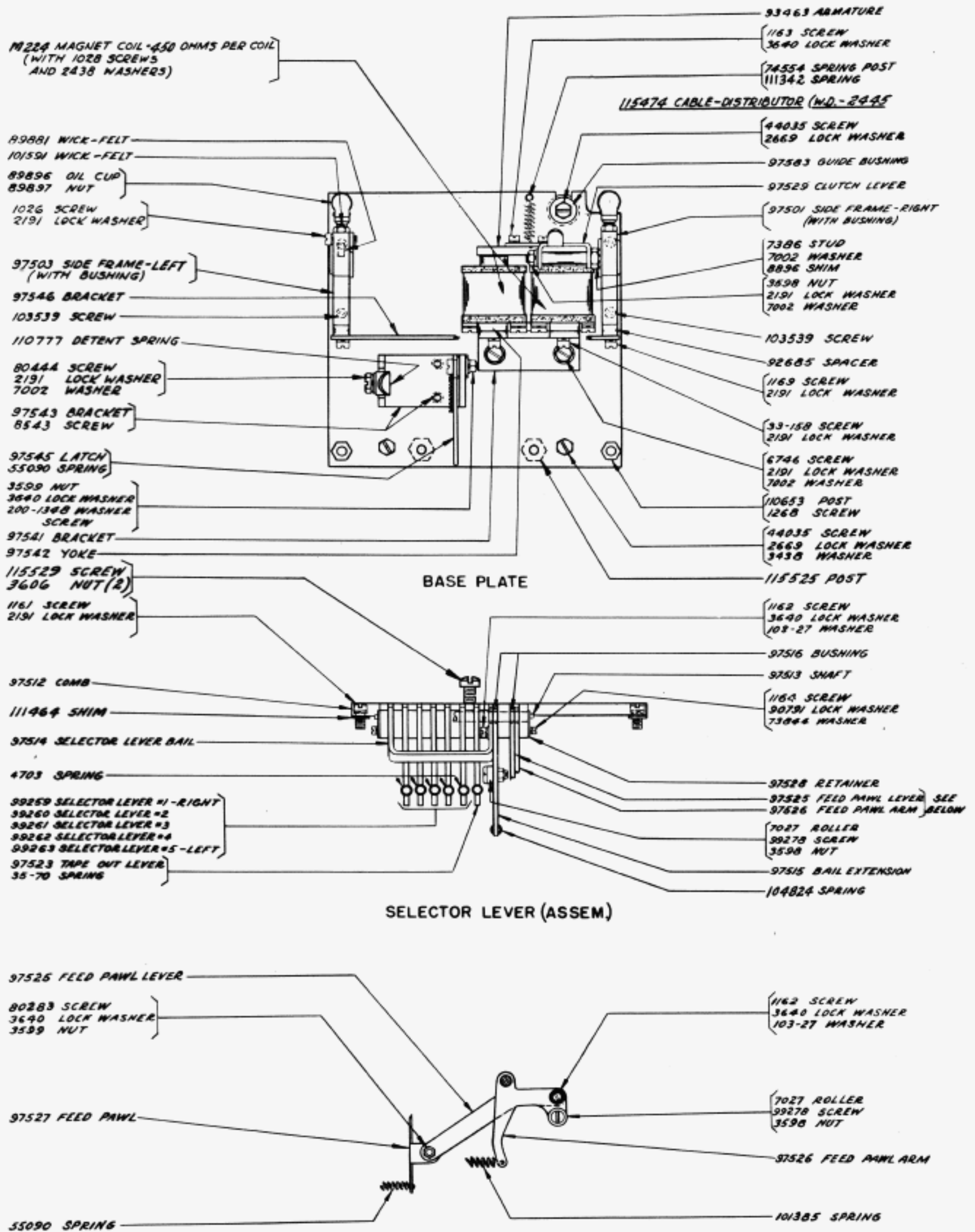
SHAFT (ASSEM.)



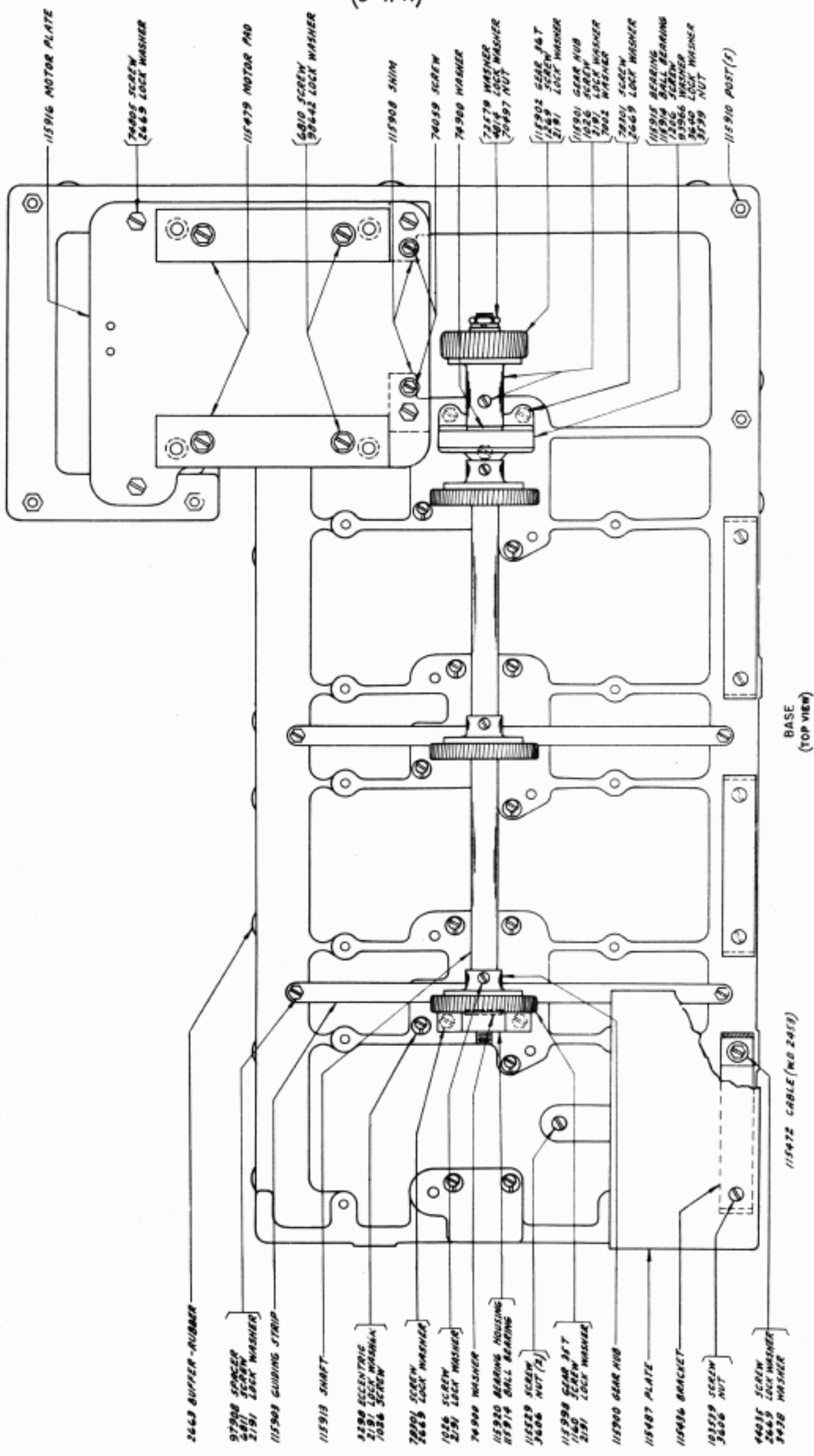
CONTACT LEVER (ASSEM.)



RELEASE BAR CONTACT (ASSEM.)







BASE  
(TOP VIEW)

115472 CABLE (NO 2453)

115916 MOTOR PLATE

7480F SCREW  
2665 LOCK WASHER

115479 MOTOR PAD

6810 SCREW  
26642 LOCK WASHER

115908 SHIM

74059 SCREW  
74900 WASHER

72179 WASHER  
26642 LOCK WASHER  
74897 NUT

115902 GEAR SET  
12449 SCREW  
2191 LOCK WASHER

115901 GEAR HUB  
1026 SCREW  
2191 LOCK WASHER  
7002 WASHER

72301 SCREW  
26659 LOCK WASHER

115915 BEARING  
115914 BALL BEARING  
1200 SCREW  
26666 WASHER  
2640 LOCK WASHER  
3579 NUT

115910 POST (5)

2663 BUFFER-RUBBER

97908 SPACER  
6811 SCREW  
2191 LOCK WASHER

115903 GLUING STRIP

115913 SHAFT

8298 ECCENTRIC  
2191 LOCK WASHER  
1026 SCREW

72301 SCREW  
26659 LOCK WASHER

1026 SCREW  
2191 LOCK WASHER

74900 WASHER

115920 BEARING HOUSING  
115914 BALL BEARING

115229 SCREW  
3606 NUT (2)

115998 GEAR SET  
1160 SCREW  
2191 LOCK WASHER

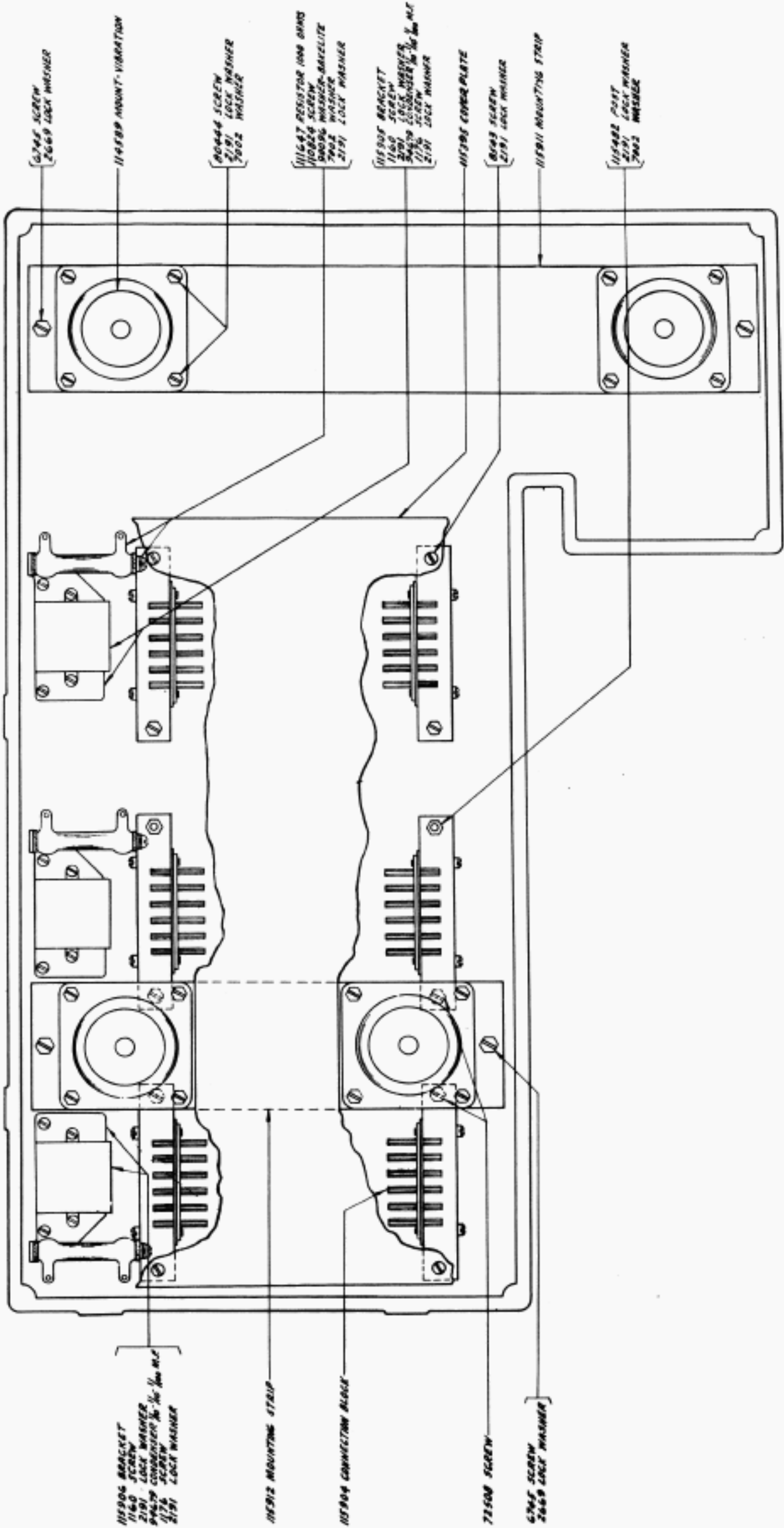
115900 GEAR HUB

115487 PLATE

115436 BRACKET

103529 SCREW  
3606 NUT

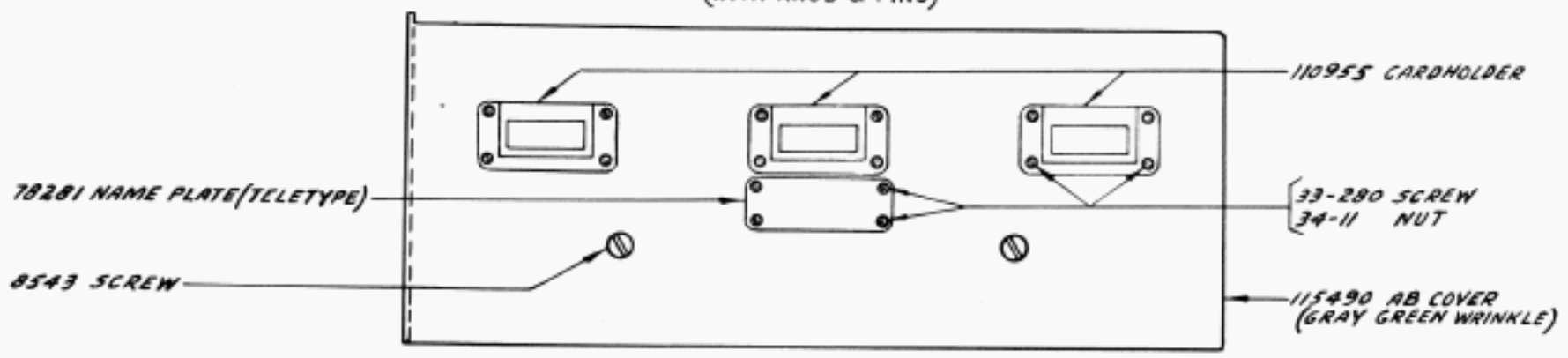
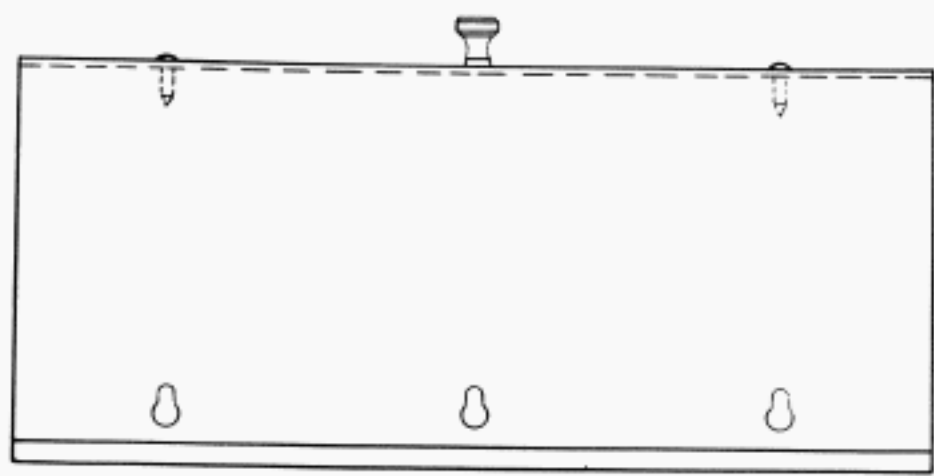
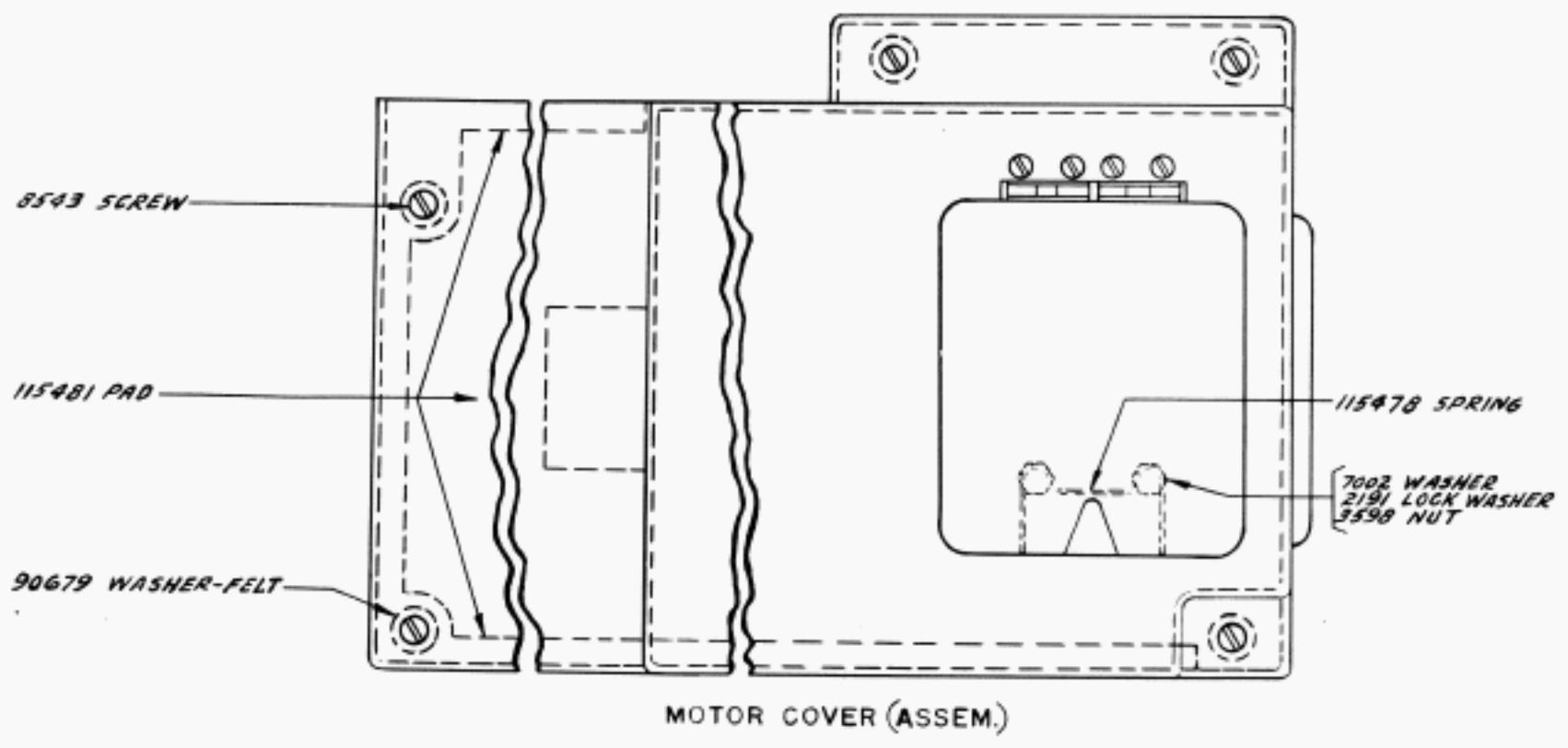
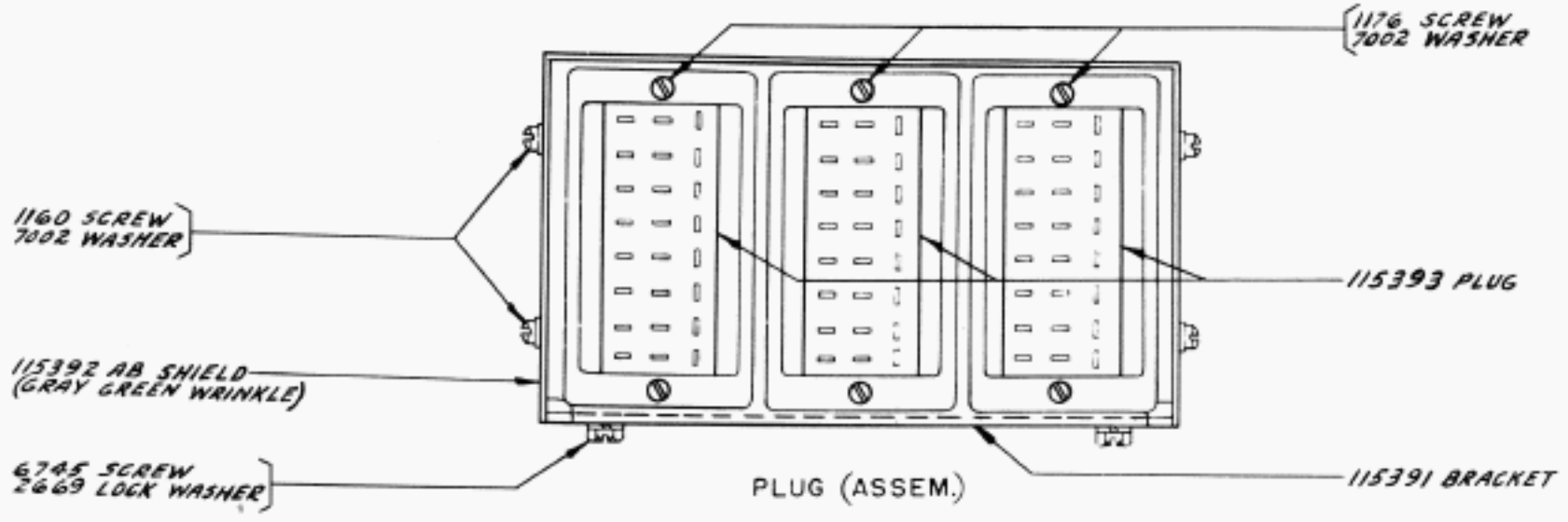
4403F SCREW  
26659 LOCK WASHER  
2470 WASHER

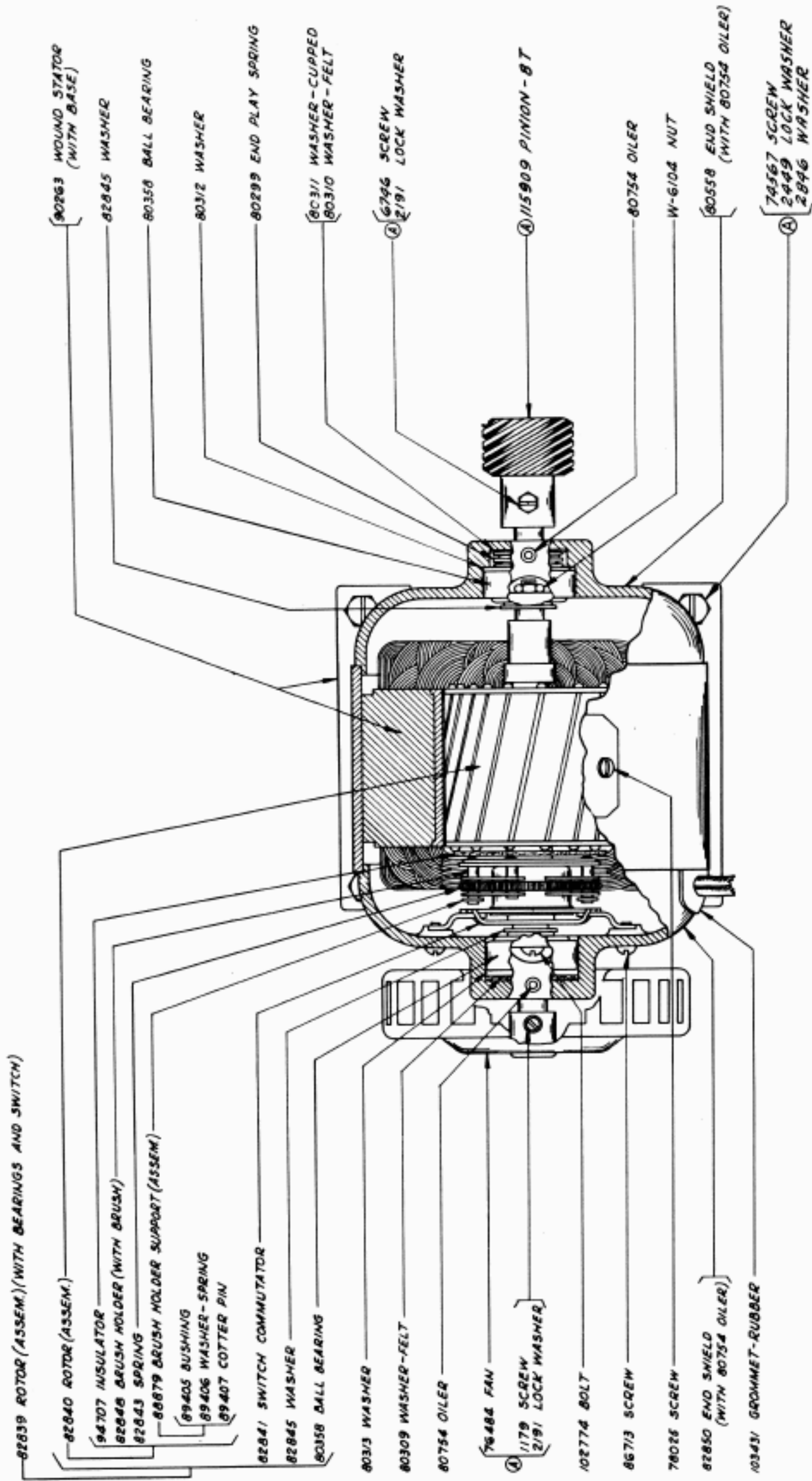


- 6745 SCREW  
2669 LOCK WASHER
- 114589 MOUNT-VIBRATION
- 80444 SCREW  
2191 LOCK WASHER  
7902 WASHER
- 111647 RESISTOR 1000 OHMS  
110824 SCREW  
80096 WASHER-BASELITE  
7902 WASHER  
2191 LOCK WASHER
- 111505 BRACKET  
1160 SCREW  
2191 LOCK WASHER  
118799 SCREW 3/16 X 1/4  
2191 LOCK WASHER
- 111395 COVER PLATE
- 8043 SCREW  
2191 LOCK WASHER
- 118711 MOUNTING STRIP
- 116482 PART  
2191 LOCK WASHER  
7902 WASHER

- 118706 BRACKET  
1160 SCREW  
2191 LOCK WASHER  
118799 SCREW 3/16 X 1/4  
2191 LOCK WASHER
- 118712 MOUNTING STRIP
- 118704 CONNECTION BLOCK
- 71500 SCREW
- 6745 SCREW  
2669 LOCK WASHER

BASE  
(BOTTOM VIEW)





82283 SYNCHRONOUS MOTOR, 1/40 H.P. 110 V., 60 CYCLE A.C. (G.E. MODEL 5SH25ABIIB) (EXCLUDES PARTS MARKED (A))

NUMERICAL INDEX

M-207	Magnet Coil - 92 Ohms,12	3438	Washer,11,15,16,18,23,36,37	46094	Screw (8-32 x 7/16),24
M-224	Magnet Coil - 450 Ohms,32,36	3598	Nut (6-40 Hex.),1,2,3,4,5,	49420	Spring,11,32
MU36	Motor Unit,15		9,10,11,12,24,25,32,33,34,	49653	Screw (10-32 x 13/16),18
W-6104	Nut (5/32-36 Hex.),15,40		35,36,39	55090	Spring,5,6,26,35,36
W-10074	Washer,13	3599	Nut (4-40 Hex.),12,34,35,36,	70314	Washer,3
W-10086	Lock Washer,16		37	74097	Nut (5/16-32 Hex.),37
33-2	Screw (6-32 x 3/8),29	3606	Nut (6-40 Hex.),12,19,21,23,	70803	Screw (6-40 Pivot),34
33-15	Screw (2-56 x 1/8),11		29,30,32,34,36,37	71015	Buzzer,21
33-86	Screw (4-40 x 1/8),19	3610	Spring,7	71073	Washer,12
33-158	Screw (6-40 x 1/2),32,36	3640	Lock Washer,3,6,7,10,11,12,	71505	Oil Wick - Felt,13
33-179	Screw (8-32 x 3/8),3		13,19,24,25,32,33,34,35,	71697	Clamping Plate,12
33-193	Screw (6-32 x 1),2		36,37	71858	Washer,15
33-197	Screw (6-40 Shoulder),3,23	3646	Lock Washer,23	71976	Stop Pawl Plate,12
33-198	Screw (6-40 x 1/4 Set),1,2,3,	4703	Spring,36	72096	Screw (6-40 Pilot),34
	13,23,24	4708	Spring,5,6,12,26	72263	Post,9
33-208	Screw (10-32 x 1/2),25	4814	Lock Washer,3,13,37	72508	Screw (6-40 x 3/4),38
33-280	Screw (2-56 x 3/16),39	4843	Stiffener - Upper,33,35	72514	Spring,13
33-282	Screw (10-32 x 1/2),17	4844	Stiffener - Lower,33,35	72515	Nut (5/16-32 Hex.),1;
34-4	Nut (10-32 Hex.),1,2,4,18,19,	5446	Screw (4-40 x 9/16),10,32,34	72517	Nut (5/16 x 32 L.H. Hex.
	21,25,29	5475	Nut (3/16-40 Hex.),12		Keyed),13
34-11	Nut (2-56 Hex.),33,35,39	5599	Nut (8-32 Hex.),23,25	72521	Oil Wick - Felt,13
34-56	Nut (4-40 Hex.),12	6390	Screw (6-40 x 3/16),5	72563	Washer - Felt,13,33,35
34-58	Nut (10-32 Hex.),17,18,21,25	6685	Sword,12	72565	Lock Washer,13
35-70	Spring,11,27,36	6689	Separator Plate,12	72579	Washer,3,37
61-24	Washer - Bakelite,19,30	6745	Screw (10-32 x 1/2),11,16,	72644	Ball Bearing,13
103-27	Washer,6,19,32,34,35,36		38,39	73235	Screw (6-40 x 7/8),32
123-244	Washer,12	6746	Screw (6-40 x 5/16),5,7,8,9,	73572	Screw (1/4-20 x 1),16
200-1348	Washer,36		10,11,12,13,15,16,19,29,32,	73844	Washer,36
1026	Screw (6-40 x 3/8),21,33,35,		33,35,36,40	74032	Washer,24
	36,37	6799	Screw (6-40 Shoulder),12	74059	Screw (6-40 x 7/32),16,37
1028	Screw (4-40 x 1/4),36	6801	Screw (4-40 Pilot),12	74100	Washer - Leather,13
1030	Screw (6-40 Shoulder),12,24	6810	Screw (10-32 x 3/8),13,15,	74171	Screw (6-40 Eccentric),34
1038	Screw (6-40 x 9/32),11		16,18,19,23,29,37	74283	Washer,24
1043	Screw (10-32 x 5/16),18,19,20	6811	Screw (6-40 x 5/8),4,12,16,	74367	Screw (10-32 x 1 7/16),18
1050	Screw (6-40 x 7/32),33		37	74399	Screw (6-40 Pilot),12
1160	Screw (6-40 x 5/16),37,38,39	6827	Connection Block (with 1064	74536	Screw (6-40 x 5/32),34
1064	Screw (6-32 x 1/4),30		Screw),30	74554	Spring Post,32,35,36
1073	Screw (6-40 Thumb),12	6909	Stop Lever,12	74567	Screw (1/4-20 x 33/64),15,40
1093	Screw (8-32 x 7/16),25	6966	Eccentric Stop,12	74614	Resistor - 2600 Ohms (2000-
1104	Screw (10-32 Thumb),13	7001	Washer,12		600),30
1121	Screw (10-32 x 3/8),25	7002	Washer,2,3,4,5,10,11,12,13,	74615	Resistor (2000 ohms),30
1159	Screw (4-40 x 3/8),11		18,19,23,24,25,29,30,32,34,	74628	Fuse Block (Assem.),18
1160	Screw (6-40 x 5/16),4,8,13,18		36,37,38,39	74716	Bushing,19
1161	Screw (6-40 x 1/4),32,33,36	7007	Trip Plunger,12	74722	Washer,12
1162	Screw (4-40 x 1/4),6,11,21,34,	7027	Roller,32,36	74805	Screw (10-32 x 3/4),16,19,37
	35,36	7318	Contact Lever,33,35	74891	Shim - .004 Thick,10
1163	Screw (4-40 x 3/16),11,19,32,	7345	Screw (10-32 Shoulder),1	74900	Washer,37
	33,36	7386	Stud,32,36	74965	Spacer,19
1164	Screw (2-56 x 3/16),36	7389	Driving Clutch,33,35	74986	Screw (6-40 x 13/32),5
1167	Screw (6-40 x 3/4),35	7391	Driven Clutch,33,35	75231	Bushing,19
1168	Screw (4-40 x 5/16),35	7415	Nut (1/2-32 Hex.),13	75435	Resistor (600 Ohms),30
1169	Screw (6-40 x 7/16),2,13,36	7602	Spring,12	75606	Spring,33,35
1172	Screw (2-56 x 5/16),33,35	7603	Spring,12	75607	Washer,33,35
1176	Screw (6-40 x 3/16),5,13,15,19,	7607	Collar,12	75750	Washer - Bakelite,19,30
	23,25,29,30,33,38,39	7614	Spring,12	76099	Washer,23
1179	Screw (6-40 x 5/8),40	7654	Shim .004 Thick,33,35	76167	Screw (4-40 x 3/16),34
1196	Screw (6-40 Shoulder),32	7678	Screw (4-40 Special),34	76168	Screw (6-40 x 3/16),18
1206	Screw (4-40 x 9/16),19,37	7679	Roller,34	76236	Nut (5/16-18 Hex.),3
1208	Screw (10-32 x 5/8),1,18	7825	Spring,8	76260	Screw (6-40 Shoulder),34
1214	Screw (10-32 x 13/32 Set),17	8157	Selector Lever - Right,12	76379	Spring,36
1223	Screw (10-32 x 1/2),4,16	8158	Selector Lever - Left,12	76461	Spacer,16
1268	Screw (9/64-40 x 5/16),19,36	8254	Clamp,29	76484	Fan,15,40
1269	Screw (6-40 x 1/2),21,37	8330	Washer,5,29	76532	Bushing,34
1297	Screw (6-40 x 2 7/16),19,30	8333	Screw (10-32 x 3/8),18	77201	Spacer,4
2191	Lock Washer,1-13,15,16,18,19,	8539	Screw (6-40 x 1/2),8,13,16	77348	Receptacle,2
	21,23,24,25,29,30,32-40	8543	Screw (6-40 x 1/4),1,2,6,19,	78025	Screw (4-40 x 3/16),15,40
2201	Nut (5/16-32 Hex.),9,10,13		34,35,36,38,39	78163	Post,12
2254	Washer,3	8896	Shim - .004 Thick,32,34,36	78164	Selector Post,12
2322	Lock Washer,16,23	9558	Contact Spring - Long,33,35	78281	Name Plate, (Teletype),39
2382	Lock Washer,17,18,19,20,21	9559	Contact Spring - Short,33,35	78301	Screw (10-32 x 5/8),8,37
2415	Spring,9	9649	Contact Stop - Lower,33,35	78596	Washer,12
2438	Washer,36	9655	Contact Stop - Upper,33,35	78597	Screw (10-32 Shoulder),12
2449	Lock Washer,15,25,40	22746	Spring,9	79523	Screw (2-56 x 25/32),19
2481	Washer,32	31636	Spring,9	80283	Screw (4-40 Shoulder),36
2526	Spacing Collar - 5/32 Thick,	34432	Washer,1,2,3,8,12,19,24	80299	End Play Spring,15,40
	33-35	34826	Washer,18	80309	Washer - Felt,15,40
2663	Buffer - Rubber,32,37	35826	Washer,21	80310	Washer - Felt,15,40
2669	Lock Washer,1,2,3,4,8,10,11,	41663	Washer,29	80311	Washer, Cupped,15,40
	12,13,15,16,18,19,21,23,24,	41675	Washer,34	80312	Washer,15,40
	25,29,32,36,37,38,39	41720	Contact Spring,35	80313	Washer,15,40
2760	Spring,16	41732	Plate,19,35	80334	Terminal,19
2846	Washer,23,25,40	41733	Insulator,19,35	80342	Screw (6-40 x 23/64),7,8,9,
3292	Nut (1/4-20 Hex.),25	42661	Spring,13		16,25
3298	Eccentric,37	44035	Screw (10-32 x 9/16),32,36,	80358	Ball Bearing,15,40
3339	Nut (9/16-32 Hex.),13		37	80444	Screw (6-40 x 1/4),8,9,10,
3340	Lock Washer,13	44048	Washer,4,30		12,13,16,18,25,32,36,38
3354	Nut (8-32 Hex.),3,24	45969	Screw (10-32 x 3/4),1,2	80471	Spring,33,35

NUMERICAL INDEX

80478 Spring Post, 35  
80508 Screw (4-40 x 25/32), 19  
80542 Plug, 2  
80558 End Shield (with 80754 Oiler),  
15, 40  
80721 Washer, 12  
80754 Oiler, 15, 40  
80854 Screw (6-40 x 1 7/16), 4  
80957 Screw (4-40 x 1/4), 34  
81726 Terminal, 35  
81774 Washer, 18  
81775 Resistor (8000 Ohms), 30  
81825 Condenser (1/100 MF), 19  
81841 Condenser, 1/4 MF, 18  
82283 Synchronous Motor, 1/40 H.P.,  
110 V, 60 Cycle A.C. (G.E.  
Model 5SH25A111B), 15, 40  
82440 Screw (6-40 x 7/16), 6, 8, 12  
82474 Terminal, 19, 22, 31, 33  
82702 Screw (6-40 x 9/32), 18  
82839 Rotor (Assem.), 15, 40  
82840 Rotor (Assem.), 15, 40  
82841 Switch Commutator, 15, 40  
82843 Spring, 15, 40  
82845 Washer, 15, 40  
82848 Brush Holder (with Brush),  
15, 40  
82850 End Shield (with 80754 Oiler),  
15, 40  
83496 Screw (8-32 x 5/16), 2  
83561 Washer - Spring, 3  
83856 Screw (4-40 x 11/16), 35  
83871 Screw (10-32 x 5/16), 16, 18  
83885 Nut (6-32 Hex.), 23  
83954 Bushing, 35  
84666 Contact Spring, 35  
84705 Contact Spring, 35  
84892 Stiffener, 35  
84990 Screw (.138-40 x 1/4), 33  
85935 Spring Post, 16  
86458 Screw (1/4-20 x 1), 25  
86713 Screw (4-40 x 5/16), 15, 40  
86742 Nut (4-40 Hex.), 13  
87477 Resistor (1000 Ohms), 30  
87638 Screw (2-56 x 3/32), 11  
88879 Brush Holder Support, 15, 40  
89405 Bushing, 15, 40  
89406 Washer - Spring, 15, 40  
89407 Cotter Pin, 15, 28, 40  
89381 Oil Wick - Felt, 13, 32, 36  
89896 Oiler, 32, 36  
89897 Nut (10-32 Hex.), 32, 36  
89963 Eccentric, 1, 2  
89969 Washer - Bakelite, 19, 30  
90024 Coil Retainer, 12  
90043 Armature Bracket, 12  
90069 Detent Post, 12  
90088 Trip Latch, 12  
90096 Washer, 38  
90247 Resistor (3410 Ohms), 19  
90248 Resistor (5610 Ohms), 19  
90263 Wound Stator (with Base), 15, 40  
90265 Screw (6-40 Special), 12  
90427 Resistor - 3400 Ohms (1400-  
2000), 30  
90505 Locking Lever, 12  
90507 Separator Top Plate, 12  
90508 Spring Arm, 12  
90509 Detent, 12  
90510 Spring, 12  
90511 Screw (6-40 x 1/2), 12  
90512 Selector Arm Bracket, 12  
90513 Eccentric, 12  
90514 Screw (3/16-40 Pivot), 12  
90515 Screw (3/16-40 Pivot), 12  
90516 Selector Arm, 12  
90517 Spring, 6, 12  
90518 Locking Wedge, 12  
90519 Screw (2-56 x 5/32), 12  
90520 Armature Lever, 12  
90524 Screw (4-40 Special), 12  
90539 Bushing, 35  
90679 Washer, 39  
90759 Armature Bracket Link, 12  
90774 Bell Crank, 12  
90776 Range Scale, 12  
90791 Lock Washer, 12, 36  
90815 Resistor (5000 Ohms), 30  
90905 Post, 12  
91120 Spring, 12  
91682 Receptacle, 2  
92175 Pin, 34  
92265 Screw (2-56 x 1/4), 28  
92273 Magnet Core, 12  
92291 Condenser (1/10 MF), 19  
92309 Resistor (400 Ohms), 19  
92685 Spacer, 36  
92748 Screw (6-40 x 1 7/16), 19, 30  
92787 Eccentric, 16  
93136 Toggle Switch, 28  
93160 Washer, 16  
93463 Armature, 36  
93966 Washer, 37  
94679 Condenser 1/10-1/10-1/100 MF,  
38  
94707 Insulator, 15, 40  
95003 Receptacle, 2  
95063 Plug - 3 Prong, 22, 31  
95064 Plug - 4 Prong, 22, 31  
95937 Condenser 1/100 MF, 30, 33, 34  
95938 Condenser 1/10 MF, 30, 33, 34  
96258 Wire - Black (3" Long), 19  
96261 Wire - Black (3 3/4" Long), 19  
97296 Screw (10-32 x 5/16), 2, 3, 23, 24  
97317 Clamp Plate, 12  
97393 Screw (6-40 Shoulder), 11  
97501 Side Frame - Right (with  
Bushing), 35, 36  
97503 Side Frame - Left (with  
Bushing), 35, 36  
97506 Shaft, 33, 35  
97512 Comb, 36  
97513 Shaft, 36  
97514 Selector Lever Bail, 36  
97515 Bail Extension, 36  
97516 Bushing, 36  
97523 Tape Out Lever, 36  
97525 Feed Pawl Lever, 36  
97526 Arm, 32, 36  
97527 Feed Pawl, 36  
97528 Retainer, 36  
97529 Clutch Lever, 32, 36  
97537 Contact Lever, 35  
97538 Lever, 35  
97540 Shaft, 33, 35  
97541 Bracket, 32, 36  
97542 Magnet Yoke, 32, 36  
97543 Bracket, 36  
97545 Latch, 36  
97546 Bracket, 36  
97547 Contact (Assem.), 35  
97548 Bracket, 35  
97549 Release Bar, 35  
97550 Stud, 35  
97551 Stud, 35  
97554 Bracket, 34  
97555 Feed Roll, 34  
97556 Bracket - Right, 34  
97557 Detent Lever, 34  
97583 Bushing, 32, 36  
97908 Spacer, 37  
98361 Shims .005 Thick, 33, 35  
98636 Spring, 35  
98642 Lock Washer, 37  
99259 Selector Lever #1, 36  
99260 Selector Lever #2, 36  
99261 Selector Lever #3, 36  
99262 Selector Lever #4, 36  
99263 Selector Lever #5, 36  
99278 Screw (6-40 Shoulder), 32, 36  
99283 Guide, 34  
99309 Resistor - 400 Ohms, 30  
99744 Resistor - 8000 Ohms, 19  
99802 Plate, 19  
99803 Insulator, 19  
99804 Insulator, 19  
99805 Plunger, 19  
99806 Bracket, 19  
99807 Spring, 19  
99809 Spring, 19  
99816 Relay Base, 19  
100108 Nut (4-40 Hex.), 21  
100657 Socket, 19  
100658 Plug, 15  
100663 Socket, 19  
101385 Spring, 36  
101386 Spring, 34  
101591 Wick - Felt, 32, 36  
101766 Cam Sleeve (Assem.), 35  
102052 Screw (4-40 x 9/32), 34  
102067BA Rail - Right (Black High  
Gloss), 25  
102069BA Rail - Left (Black High  
Gloss), 25  
102180 Screw (6-40 x 1 15/16), 30  
102774 Bolt (8-36 x 4 3/8), 15, 40  
102839 Washer, 34  
102861 Shim - .004 Thick, 34  
102937 Latch, 34  
102942 Plate, 34  
103081 Screw (1/4-20 x 1/2), 1, 2, 4  
102141 Fusetron - 10 Amp., 18  
103284 Fusetron - 3.2 Amp., 18, 29  
103286 Fusetron - 1.6 Amp., 18  
103431 Grommet - Rubber, 15, 40  
103539 Screw (6-40 x 3/8), 5, 32, 36,  
37  
104082 Screw (1/4-20 x 3/8), 23  
104702 Screw (4-40 x 7/16), 34  
104705 Ball Bearing, 13  
104824 Spring, 36  
105106 Shaft, 11  
105634 Roller, 34  
107393 Toggle Switch, 17, 28  
108010 Screw (6-40 x 1/8), 19  
108215 Condenser 1/4 MF, 30  
108352 Screw (6-40 x 3/8), 30  
109899 Drive Pawl, 13  
109900 Blocking Bail, 13  
110653 Post, 36  
110739 Bracket, 19  
110777 Detent Spring, 34, 36  
110778 Bracket, 34  
110780 Tape Retaining Lid, 34  
110781 Bracket, 34  
110790 Top Plate, 34  
110824 Screw (6-40 x 2), 38  
110869 Pinion - 19T, 13  
110870 Gear - 42T, 13  
110955 Cardholder, 39  
111048 Receptacle, 31  
111303 Container, 30  
111342 Spring, 32, 36  
111442 Screw (4-40 Shoulder), 36  
111464 Shim - .004 Thick, 32, 36  
111647 Resistor - 1000 Ohms, 38  
112539 Bar, 32  
112540 Bracket, 32  
112541 Contact Bracket, 33, 35  
112542 Bushing - Bakelite, 33, 35  
112543 Cover Plate, 33, 35  
112544 Screw (2-56 x 3/4), 33, 35  
112545 Insulator, 33, 35  
112546 Insulator, 33, 35  
112547 Stiffener - Short, 33, 35  
112548 Stiffener - Long, 33, 35  
112829 Bushing, 8  
112926 Socket, 17, 28  
112927 Cap - Amber, 17, 28  
112928 Cap - Clear, 28  
112929 Lamp - Neon, 17, 28  
113167 Slip Connection Block, 21, 25  
113168 Insulating Strip, 25  
113169 Retaining Strip, 25  
113174 Insulation Strip, 21  
113175 Retaining Strip, 21  
113178 Screw (4-40 x 3/8), 21, 25  
113181 Spring - Right, 21, 25  
113182 Spring - Left, 21, 25  
113183 Insulator, 21, 25  
113184 Spring, 32, 34  
113185 Spring, 32, 34  
113186 Insulator, 32, 34  
113199 Receptacle, 29  
113243 Spacing Collar - 9/32  
Thick, 33  
113373 Mounting Block, 21  
113956 Selector Plate, 12  
114318 Coil 4 3/10 Ohms, 33, 34  
114589 Mount - Vibration, 16, 25, 38  
115000 A Code Lever (with Name  
Plate), 14

NUMERICAL INDEX

115001 B Code Levers (with Name Plate), 14	115090 Y Name Plate, 14	115206 Bracket, 5
115002 C Code Levers (with Name Plate), 14	115091 Z Name Plate, 14	115207 Transfer Lever #1, 12
115003 D Code Levers (with Name Plate), 14	115092 LF Name Plate, 14	115208 Transfer Lever #2, 12
115004 E Code Levers (with Name Plate), 14	115093 SP Name Plate, 14	115209 Transfer Lever #3, 12
115005 F Code Levers (with Name Plate), 14	115094 CR Name Plate, 14	115210 Transfer Lever #4, 12
115006 G Code Levers (with Name Plate), 14	115095 BI Name Plate, 14	115211 Transfer Lever #5, 12
115007 H Code Levers (with Name Plate), 14	115096 FIG Name Plate, 14	115212 Comb, 5
115008 I Code Levers (with Name Plate), 14	115097 LET Name Plate, 14	115213 Nut (4-40 Hex.), 7, 11
115009 J Code Levers (with Name Plate), 14	115098 (No Code)	115214 Screw (4-40 x 3/32), 7, 11
115010 K Code Levers (with Name Plate), 14	115102 Stop Bar, 7	115215 Bracket - Right, 10
115011 L Code Levers (with Name Plate), 14	115103 Bar, 7	115216 Clutch Trip Shaft, 9
115012 M Code Levers (with Name Plate), 14	115104 Spring Bar, 7	115217 Screw (5/16-32 Pivot), 9
115013 N Code Levers (with Name Plate), 14	115105 Bracket, 6, 8	115218 Clutch Trip Lever, 9
115014 O Code Levers (with Name Plate), 14	115106 Shaft, 11	115219 Blocking Lever, 10
115015 P Code Levers (with Name Plate), 14	115107 Cotter Pin, 5, 8, 11	115220 Eccentric, 10
115016 Q Code Levers (with Name Plate), 14	115108 Bar, 8	115221 Washer - Felt, 9
115017 R Code Levers (with Name Plate), 14	115109 Spring Bar, 7	115222 Detent Post, 8
115018 S Code Levers (with Name Plate), 14	115110 Comb, 8	115223 Post, 8
115019 T Code Levers (with Name Plate), 14	115111 Block, 8	115225 Comb, 5
115020 U Code Levers (with Name Plate), 14	115112 Comb, 7	115226 Bracket, 6
115021 V Code Levers (with Name Plate), 14	115113 Guide, 7, 8	115227 Name Plate, 11
115022 W Code Levers (with Name Plate), 14	115114 Bracket - Right, 10	115229 Detent Lever, 8
115023 X Code Levers (with Name Plate), 14	115116 Bracket - Left, 9	115231 Push Bar, 5
115024 Y Code Levers (with Name Plate), 14	115117 Bar, 10	115232 Cam Sleeve, 13
115025 Z Code Levers (with Name Plate), 14	115118 Driving Link - Left, 10	115233 Socket, 19
115026 LF Code Levers (with Name Plate), 14	115119 Bracket - Left, 9	115234 Rail Support - Right, 16
115027 SP Code Levers (with Name Plate), 14	115120 Link, 9	115235 Rail Support - Left, 16
115028 CR Code Levers (with Name Plate), 14	115121 Screw (6-40 Shoulder), 9	115236 Drawer Slide - Right, 16
115029 BL Code Levers (with Name Plate), 14	115122 Washer - Felt, 9	115237 Drawer Slide - Left, 16
115030 FIG Code Levers (with Name Plate), 14	115125 Stripper Bail (with Post), 9	115238 Bracket, 16
115031 LET Code Levers (with Name Plate), 14	115127 Latch (with Post), 10	115239 Strap, 16
115032 (No Code)	115128 Stripper Plate Arm - Left (with Post), 9	115240 Latch - Right, 16
115066 A Name Plate, 14	115129 Stripper Plate Arm - Right, 10	115241 Eccentric, 16
115067 B Name Plate, 14	115130 Spacer, 10	115242 Latch - Left, 16
115068 C Name Plate, 14	115133 Screw (5/16-32 Pilot), 10	115243 Oil Pan, 16
115069 D Name Plate, 14	115134 Washer - Felt, 10	115244 Bar Lower - Front, 16
115070 E Name Plate, 14	115135 Bar, 9	115245 Bar - Lower, 16
115071 F Name Plate, 14	115136 Driving Link - Right, 10	115246 Bar - Lower and Upper - Right, 16
115072 G Name Plate, 14	115138 Link, 9	115247 Bar - Upper, 16
115073 H Name Plate, 14	115139 Bracket, 10	115248 Guide Plate - Upper and Lower, 16
115074 I Name Plate, 14	115140 Ball Bearing Lock, 13	115249 Cable, 27
115075 J Name Plate, 14	115141 Screw (6-40 Shoulder), 13	115250 Motor Support, 16
115076 K Name Plate, 14	115142 Main Shaft, 13	115251 Bar, 16
115077 L Name Plate, 14	115143 Ratchet Hub, 13	115252 Spring Base, 16
115078 M Name Plate, 14	115146 Sleeves, 13	115253 Spring, 16
115079 N Name Plate, 14	115147 Drive Arm, 13	115254 Bracket - Right, 10
115080 O Name Plate, 14	115148 Disc, 13	115255 Screw (1/4-20 Thumb), 16
115081 P Name Plate, 14	115149 Eccentric, 13	115256 Bracket - Left, 9
115082 Q Name Plate, 14	115150 Drive Link, 13	115257 Bar - Upper Front, 16
115083 R Name Plate, 14	115151 Detent Cam, 13	115258 Bar - Upper Rear, 16
115084 S Name Plate, 14	115152 Disc, 13	115259 Plate - Right, 16
115085 T Name Plate, 14	115153 Eccentric, 13	115260 Plate - Left, 16
115086 U Name Plate, 14	115154 Drive Link, 13	115261 Ball Bearing Plate, 13
115087 V Name Plate, 14	115155 Spacer, 13	115262 Guard (upper and Lower), 16
115088 W Name Plate, 14	115156 Gear Hub, 13	115263 Bushing, 13
115089 X Name Plate, 14	115157 Ball Bearing Plate, 13	115264 Ball Bearing Plate, 13
	115158 Bushing, 13	115266 Ball Bearing, 13
	115162 Bar, 5	115267 Counter Shaft, 13
	115163 Vane Guide, 6	115268 Gear Hub, 13
	115164 Vane Stop, 6	115269 Motor Plate, 15
	115165 Spring Bracket, 6	115270 Gear Hub - Center, 13
	115166 Vane #1, 6	115273 Gear - 19T, 13
	115167 Vane #2, 6	115274 Gear - 31T, 13
	115168 Vane #3, 6	115280 Name Plate, 11
	115169 Vane #4, 6	115281 Trip-Off Lever, 11
	115170 Vane #5, 6	115282 Latch (with Post), 11
	115171 Comb, 6	115284 Operating Lever, 11
	115172 Comb, 6	115285 Bracket, 11
	115173 Contact Lever, 7	115286 Bracket, 11
	115175 Pull Bar, 7	115287 Bracket, 11
	115176 Bar, 5, 6	115288 Blocking Lever, 11, 27
	115177 Bail, 9	115289 Blocking Lever, 11
	115178 Lock Lever, 5, 6	115291 Cross Braces, 16
	115179 Function Lever, 5, 26	115293 Blocking Lever, 11, 27
	115182 Shaft, 6, 8	115294 Function Lever, 5, 6, 26
	115183 Bracket, 8	115295 Latching Lever, 11, 27
	115184 Contact Bar, 8, 19	115296 Latching Lever, 11, 27
	115185 Contact Shield, 8	115297 Latching Lever, 27
	115188 Spring, 19	115299 Terminal Block, 5
	115190 Insulator, 19	115303 Bracket R.F., 18
	115192 Spring, 19	115304 Bracket L.H., 18
	115195 Bracket, 11	115305 Clamp - Bottom, 21
	115197 Comb, 11	115306 Clamp - Middle, 21
	115198 Comb, 11	115307 Clamp - Top, 21
	115201 Screw (6-40 Shoulder), 11	115308 Terminal Strip, 21
	115205 Lock, 11, 27	

NUMERICAL INDEX

115310 Cord (Assem.), 22  
115311 Cord (Assem.), 22  
115314 Insulating Strip, 18  
115316 Stud, 21  
115317 Switch, 17  
115318 Switch, 17  
115320 Cap - Red, 17, 28  
115322 Push Button, 17, 28  
115323 Push Button, 17, 28  
115324 Knob, 17  
115326 Relay (Assem.), 20  
115328 Relay (Assem.), 20  
115329 Relay (Assem.), 20  
115331 Relay (Assem.), 20, 29  
115332 Relay (Assem.), 20  
115333 Delayed Relay Timer (Assem.),  
18  
115335 Relay (Assem.), 20  
115336 Cable (Assem.), 11  
115342 Cord (Assem.), 22  
115343 Form Support, 18  
115344 Form Support, 18  
115346 Relay Plate, 20  
115347 Cable, 18  
115348 Cable, 18  
115349 Cord (Assem.), 22  
115350 Toggle Switch, 30  
115351 Cable, 29  
115352 Relay, 29  
115353 Relay, 29  
115354 Relay (Assem.), 20, 29  
115355 Push Key, 28  
115356 Push Key, 28  
115357 Cord (Assem.), 31  
115358 Fuse - 1 Amp, 29  
115360 Cord (Assem.), 31  
115361 Jack Strip 1-10, 4  
115362 Jack Strip 1-20, 4  
115363 Plug, 22, 31  
115364 Designation Strip (Assem.), 4  
115365 Cord (Assem.), 31  
115366 Line Cord (Assem.), 22, 31  
115367 Relay Plate, 30  
115368 Bracket, 30  
115369 Bracket, 30  
115379 Receptacle, 22, 31  
115382AB Control Unit Blank (Gray  
Green Wrinkle), 23  
115388 Cord (Assem.), 31  
115389 Cord (Assem.), 31  
115391 Bracket, 39  
115392 Shield, 39  
115393 Plug, 25, 39  
115394 Terminal Support, 4  
115395 Cover Plate, 38  
115396 Cable, 25  
115397 Insulator, 25  
115398 Terminal Block (Assem.), 4  
115399 Cable, 4  
115400 Cable, 4  
115403 Bar, 13  
115412 Screw (7/32-24 x 7/8), 16  
115413 Collar, 13  
115414 Shaft, 9  
115415 Post, 10  
115423 Plug, 19  
115424 Screw (6-40 Shoulder), 9  
115425 Spacer, 11  
115426 Top Plate (with Knob and  
Pins), 39  
115430 Bracket, 33  
115431 Retainer, 33  
115432 Plug, 34  
115433 Bracket, 34  
115434 Container, 34  
115435 Bracket, 34  
115436 Bracket, 37  
115439 Plunger, 19  
115441 Filter (Assem.), 34  
115442 Filter (Assem.), 33  
115443 Plate, 2  
115452 Spring - Right, 21, 25  
115453 Spring - Left, 21, 25  
115454 Screw (10-32 x 5/16), 16  
115455 Insulator, 5  
115456 Backstop, 13  
115457 Catch, 3, 18, 23, 24  
115459 Cross Bar, 23  
115460 Bracket, 23  
115462 Receptacle Container #1, 19  
115463 Receptacle Container #2, 19  
115464 Receptacle Container #3, 19  
115465 Receptacle Container #4, 19  
115466 Plate, 19  
115467 Support Bar, 19  
115468 Guard, 19  
115471 Cord (Assem.), 22  
115472 Cable, 37  
115473 Cable, 32  
115474 Cable - Distributor, 36  
115475 Cable, 12  
115476 Fuse Bracket, 29  
115477 Cover, 18  
115478 Spring, 39  
115479 Motor Pad, 37  
115480 Plate, 23  
115481 Pad, 39  
115482 Post, 38  
115483 Bracket, 18  
115484 Bracket, 18  
115485 Bracket, 19  
115487 Plate, 37  
115490 Cover, 39  
115491 Relay - Bottom, 29  
115493 Plug, 19  
115495 Cable, 30  
115523 Base Plate, 35  
115524 Gear Hub, 33, 35  
115525 Post, 32, 36  
115526 Insulator, 32, 34  
115527 Mounting Block, 32, 34  
115528 Bracket, 34  
115529 Screw (6-40 x 11/16), 32, 36, 37  
115589 Washer - Cupped, 23  
115590 Screw (10-32 x 1/2), 23  
115593 Screw (10-32 Special), 1, 2  
115594 Nut (8-32 Special), 2  
115595 Nut (1/4-20 Special), 1, 2, 4  
115607 Side Frame - Right (with  
Bushing), 32, 33  
115608 Side Frame - Left (with  
Bushing), 32, 33  
115609 Cam Sleeve (Assem.), 33  
115610 Base Plate, 33  
115611 Armature, 32  
115614 Post, 32  
115618 Slide - Left, 2  
115619 Slide - Right, 1  
115900 Gear Hub, 37  
115901 Gear Hub, 37  
115902 Gear - 36T, 37  
115903 Guiding Strip, 37  
115904 Connection Block, 38  
115905 Bracket, 38  
115906 Bracket, 38  
115908 Shim - .010 Thick, 37  
115909 Pinion - 8T, 40  
115910 Post, 37  
115911 Mounting Strip, 38  
115912 Mounting Strip, 38  
115913 Shaft, 37  
115914 Ball Bearing, 37  
115915 Bearing, 37  
115916 Motor Plate, 37  
115920 Bearing Housing, 37  
115952 Washer - Felt, 13  
115953 Retaining Disc, 13  
115954 Disc, 13  
115955 Driving Disc, 13  
115978 Spring, 7  
115997 Gear - 38T, 33, 35  
115998 Gear - 35T, 37  
116004AB Panel Cover (Gray Green  
Wrinkle), 4  
116009 Strip, 4  
116011 Insulator, 25  
116012 Mounting Angle, 25  
116013 Bracket, 25  
116015 Panel Strip, 2  
116017 Shim - .016 Thick, 2  
116020 Shim - .016 Thick, 1  
116021 Spacer, 1  
116022 Strip - Left, 2  
116023 Screw (1/4-20 x 5/8), 1, 2  
116024 Strip - Right, 1  
116028 Roller (Assem.) Left, 1  
116030 Roller (Assem.) Right, 1  
116031 Spring, 1  
116032 Door - Leader, 2  
116033 Guide (Assem.), 2  
116038 Side Cover, 2  
116053 Roller, 3, 18, 23, 24  
116056 Bracket, 1  
116059 Plate, 3, 18, 24  
116060 Bracket - Left, 2  
116061 Bracket - Right, 1  
116063 Catch, 3, 24  
116083 Detent Spring, 2  
116084AB Door (Gray Green  
Wrinkle), 1  
116088AB Door (Gray Green  
Wrinkle), 1  
116096 Stud, 1, 2  
116121 Latch, 2  
116124AB Hinged Door (Gray  
Green Wrinkle), 1  
116126AB Hinged Door (Gray Green  
Wrinkle), 1  
116142 Stud, 3  
116144 Roller Mtg. Strip - Right,  
24  
116145 Roller Mtg. Strip - Left,  
24  
116147 Bracket, 3  
116172 Separator, 2  
116173 Receptacle Plate, 2  
116180 Tape Platform, 24  
116182 Rectifier Platform, 1  
116189 Cover, 2  
116191 Roller, 3  
116192BK Tape Bin (Gray Green), 24  
116458 Strike, 1  
116783 Fuse Holder, 29  
116932 Cover, 28  
117359 Bracket - Stop, 2  
117450 A Code Lever (with Name  
Plate), 14  
117451 B Code Lever (with Name  
Plate), 14  
117452 C Code Lever (with Name  
Plate), 14  
117453 D Code Lever (with Name  
Plate), 14  
117454 E Code Lever (with Name  
Plate), 14  
117455 F Code Lever (with Name  
Plate), 14  
117456 G Code Lever (with Name  
Plate), 14  
117457 H Code Lever (with Name  
Plate), 14  
117458 I Code Lever (with Name  
Plate), 14  
117459 J Code Lever (with Name  
Plate), 14  
117460 K Code Lever (with Name  
Plate), 14  
117461 L Code Lever (with Name  
Plate), 14  
117462 M Code Lever (with Name  
Plate), 14  
117463 N Code Lever (with Name  
Plate), 14  
117464 O Code Lever (with Name  
Plate), 14  
117465 P Code Lever (with Name  
Plate), 14  
117466 Q Code Lever (with Name  
Plate), 14  
117467 R Code Lever (with Name  
Plate), 14  
117468 S Code Lever (with Name  
Plate), 14  
117469 T Code Lever (with Name  
Plate), 14  
117470 U Code Lever (with Name  
Plate), 14  
117471 V Code Lever (with Name  
Plate), 14  
117472 W Code Lever (with Name  
Plate), 14



NUMERICAL INDEX

117473 X Code Lever (with Name  
Plate), 14  
117474 Y Code Lever (with Name  
Plate), 14  
117475 Z Code Lever (with Name  
Plate), 14  
117476 LF Code Lever (with Name  
Plate), 14  
117477 SP Code Lever (with Name  
Plate), 14  
117478 CR Code Lever (with Name  
Plate), 14  
117479 BL Code Lever (with Name  
Plate), 14  
117480 FIG Code Lever (with Name  
Plate), 14  
117481 LET Code Lever (with Name  
Plate), 14  
117573 Cable, 20  
117574 Cable, 20  
117575 Cable, 20  
117589 Duct Adapter, 1  
117601 Shaft, 28  
117602 Screw (6-40 Shoulder), 10  
117603 Screw (6-40 Shoulder), 6, 7, 10, 13