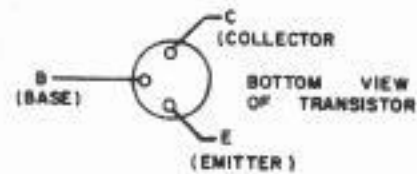
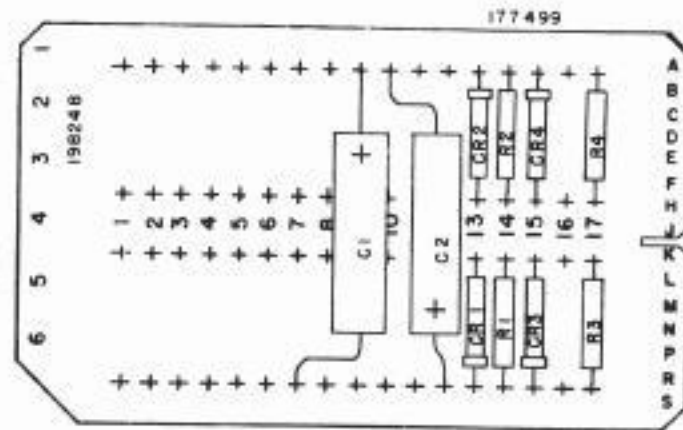


CIRCUIT BOARD

198248

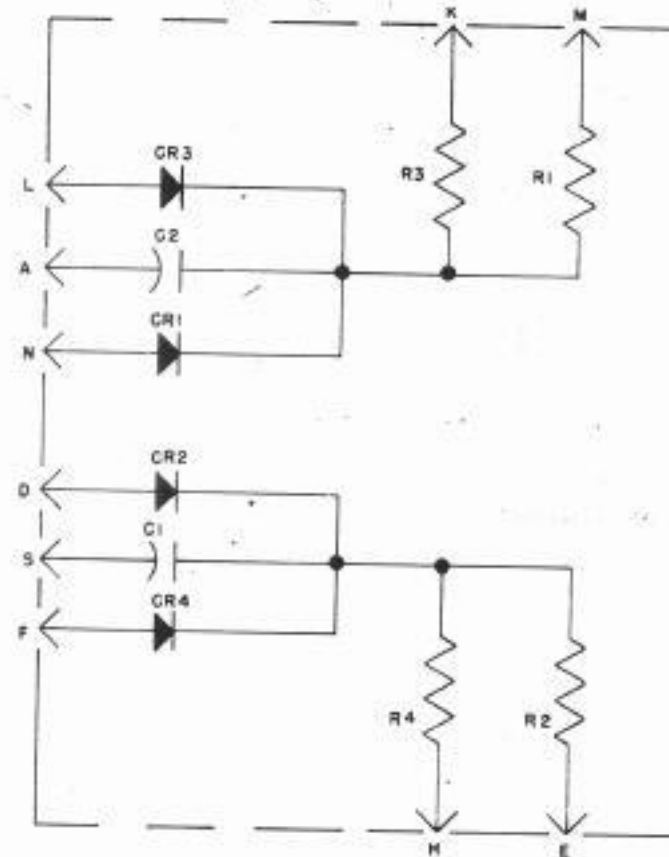
REVISIONS		
ISSUE	DATE	AUTH. NO.
2	9-18-63	77527
3	2-17-64	80150
4	1-24-68	89862
5	12-1-68	9619
6	10-31-70	3260



NOTE:
REFER TO 5016 WD FOR MARKING INFORMATION.

REF. DESIGN.	TELETYPE PART NO.	TOTAL QTY.	NAME AND DESCRIPTION	LOCATING	FUNCTION
R1	198264	2	910 ^Ω RESISTOR-1W		
R2			SAME AS R1-1W		
R3	181669	2	330 ^Ω RESISTOR-3W		
R4			SAME AS R3		
C1	198266	2	150 MFD. CAPACITOR 50WVDC		
C2			SAME AS C1		
CR1	182520	4	IN 2611 DIODE OR IN 3193		
CR2			SAME AS CR1		
CR3			" "		
CR4			" "		
	177499	1	ETCHED CARD		

SEE SPEC. 606915 FOR USE IN VCL319, SPEC. 607165 FOR USE IN VCL320 OR SPEC. 607445 FOR USE IN VC.321.



NOTE:
CARD CONNECTIONS ARE REPRESENTED BY LETTERS
TEST POINTS ARE REPRESENTED BY NUMBERS.

WDP

APPROVALS

R AND D: *H.J.K.* E OF M: *[Signature]*

DATE: 8-29-63
FILE NO: 3-AS/116,219A

DRAWN: R.G.K. CHKD: *[Signature]*
ENGD. R.D.S. APPD: *[Signature]*

TELETYPE CORPORATION

198248