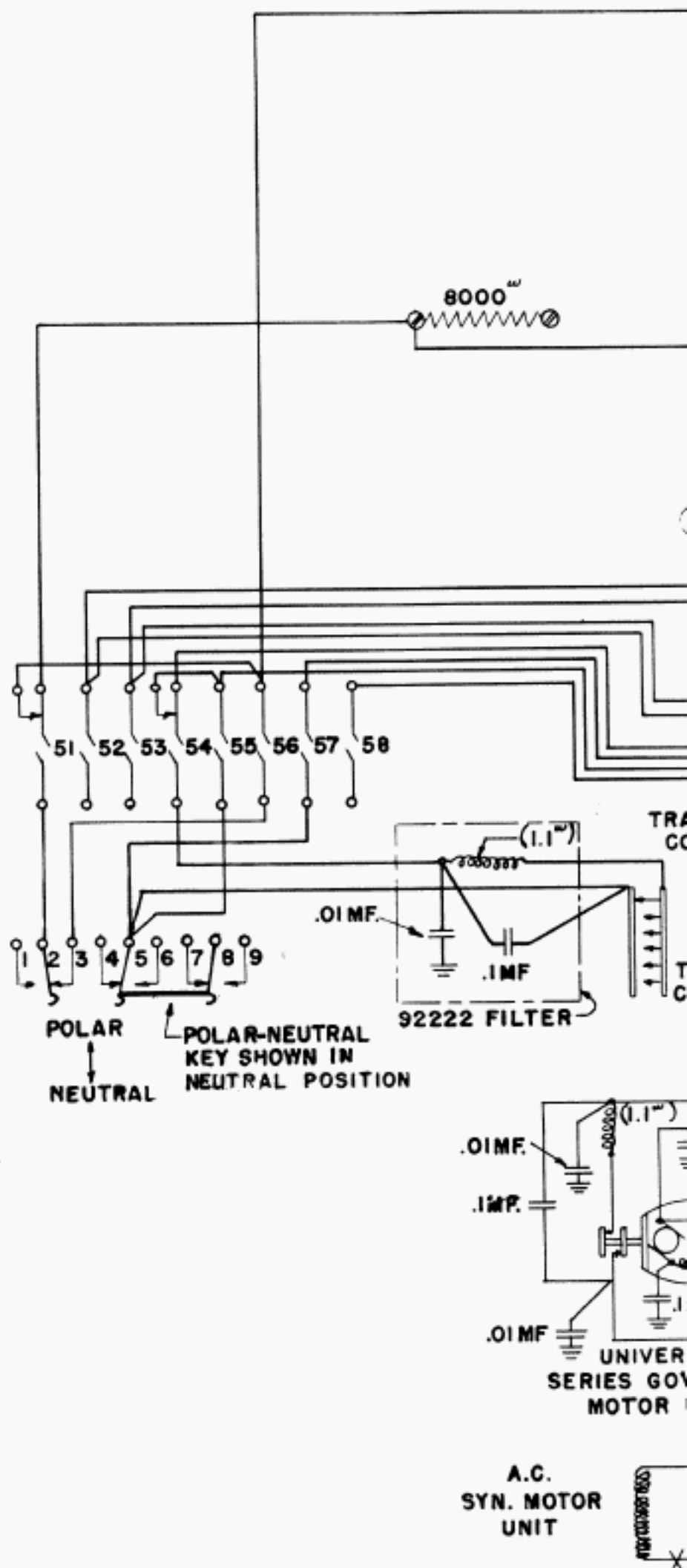
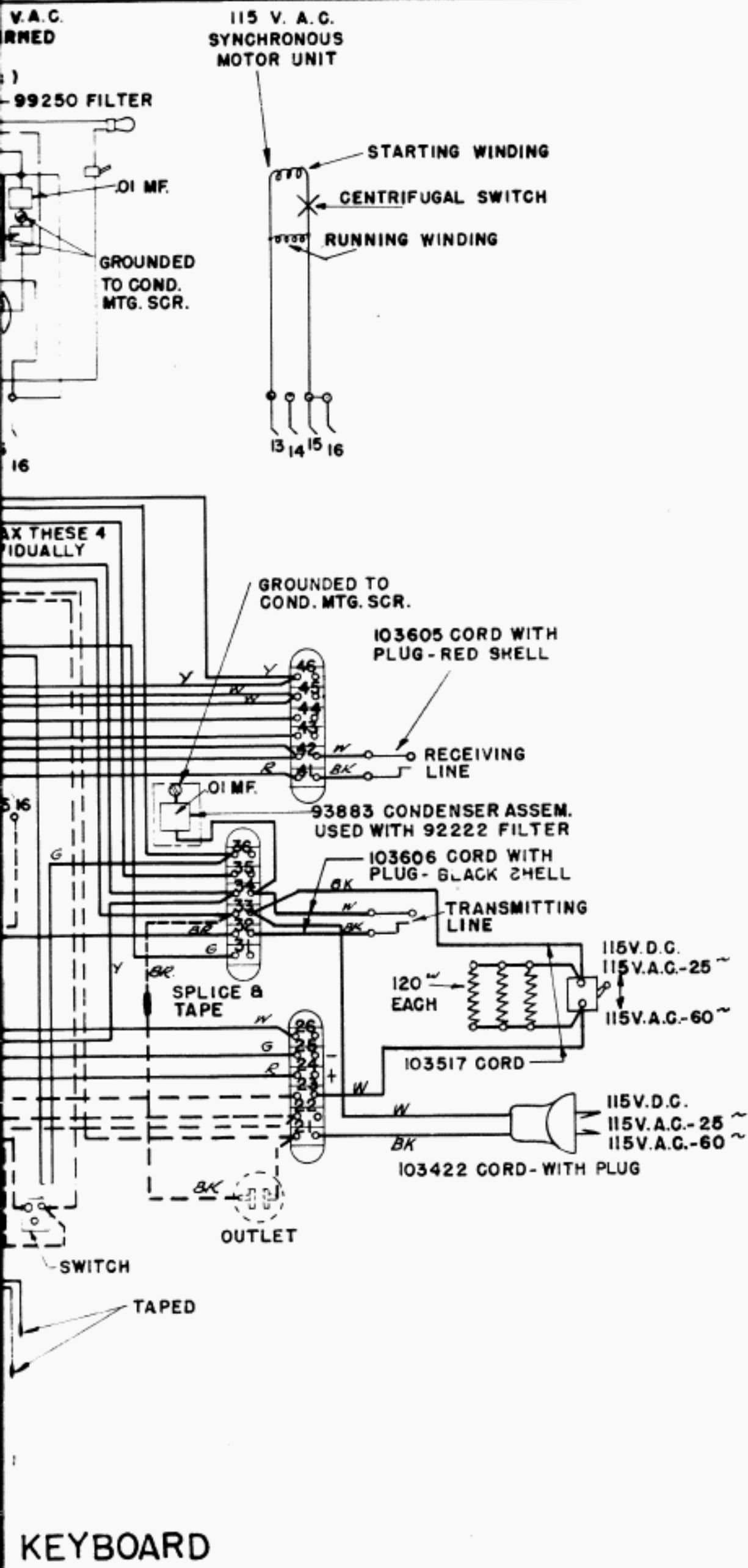


ACTUAL WIRING-15 PRINTER SET WITH KEYBOARD



NOTES

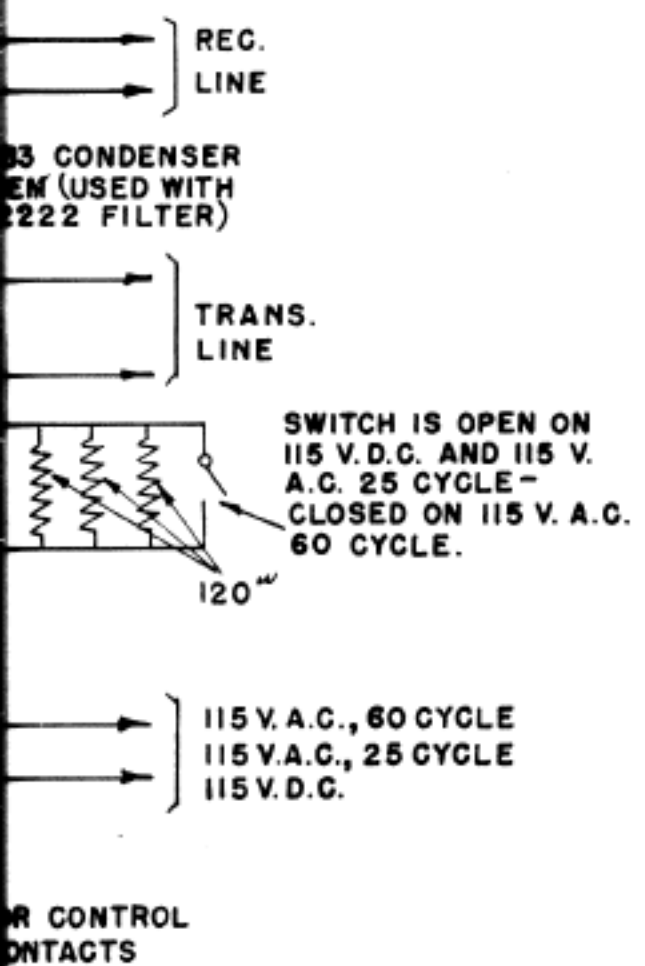
- 1 - EQUIPMENT SHOWN DOTTED IS UNDERNEATH UNITS.
- 2 - THIN LINES INDICATE WIRES NOT IN CABLE.
- 3 - ALL WIRES ARE NO. 18 DELTABESTON COTTON COVERED FIXTURE WIRE, EXCEPT MOTOR LEADS.
- 4 - ASSOCIATED CABLES:

74573 BASE (POWER)	74788 A.C. MOTOR UNIT
74574 BASE (LINE)	74572 KEYBOARD & PERF. TRANS.
74575 LINE RELAY UNIT	74625 SELECTOR MAGNET
92814 BASE	74789 MOTOR CONTROL CONTACTS
- 5 - COLOR CODE:

W - WHITE	Y - YELLOW	S - SLATE	BK - BLACK
R - RED	O - ORANGE	BR - BROWN	
G - GREEN	P - PURPLE	LB - LIGHT BLUE	
- 6 - PRINTER BASE IS WIRED FOR OPERATION WITHOUT USE OF LINE RELAY IN PRINTER RELAY MOUNTING. FOR WIRING MODIFICATIONS NECESSARY TO PERMIT USE OF LINE RELAY, SEE SPECIFICATION S-5346.
- 7 - MOTOR CONTROL RELAY IS NOT NORMALLY WIRED FOR OPERATION. FOR WIRING MODIFICATIONS NECESSARY TO PERMIT THE USE OF THIS RELAY SEE SPECIFICATION S-5346.
- 8 SET INCLUDES RESISTORS AND SWITCH TO PERMIT OPERATION OF 115 VOLT 60 CYCLE A.C. SERIES MOTOR, ON 115 VOLTS 25 CYCLE A.C. AND 115 VOLTS D.C., IN ADDITION TO 115 VOLT 60 CYCLE A.C. OPERATION.

REVISIONS

- (B) NOTE ADDED REGARDING SWITCH. 11-26-41 J.J.F.
- (C) NOTE 8 ADDED 8-13-42 P.M.B.
- (D) ADDED LEAD FROM TERM. #3 ON LINE RELAY MTG. IN SCHEMATIC ON ACTUAL, SHOWED 1/4 M.F. CONDENSER & CONVENIENCE OUTLET DOTTED. 10-21-42 G.J.K.
- (E) TITLE CHANGED. 1-4-43 J.J.F.
- (F) 1.4 AMP FUSE TRON CHANGED TO 1.6 AMP. 5-13-43 J.J.F.
- (G) CHOKE COIL LEAD CONNECTED TO OUTER BRUSH SPRING 7-24-43 G.G.



TELETYPE CORPORATION
WD-2076-A 9-3-41
WD-2076-B
WD-2076-G
WIRING DIAGRAM U.S. ARMY SIGNAL CORPS PRINTER TG 7-A (MODEL 15 PRINTER WITH KEYBOARD, INCLUDING RADIO FILTERS)
BP-108 BB-42 BK-12

DRAWN H.J.K.
TRACED
CHECKED W.H.
ENG'R'D.
APPROVED *[Signature]*