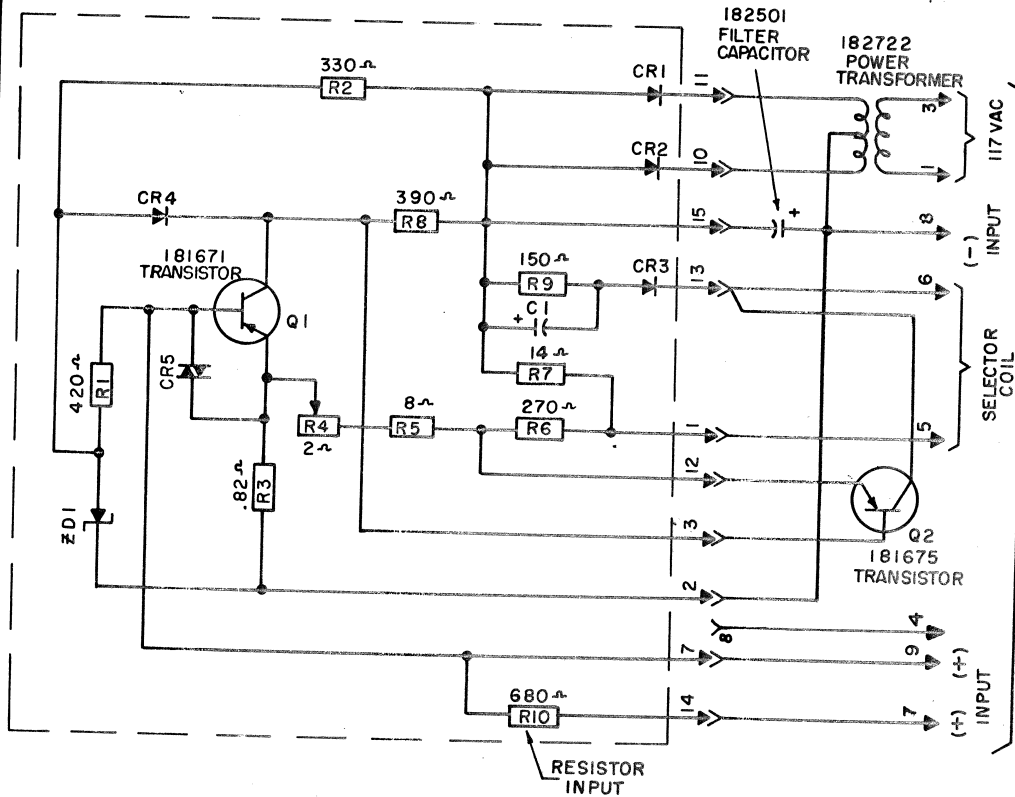


- NO. NOTES:
- FOR ACTUAL WD SEE 4970WD
 - ASSOCIATED CABLE 182696

182630
CARD ASSEMBLY



TO 182716
PLUG

4979 WD

ISSUE	DATE	AUTH. NO.
A	8-15-63	77081
B	4-6-64	81156

SCHEMATIC
WIRING DIAGRAM
FOR
182695
SELECTOR MAGNET
DRIVER

APPROVALS

D AND R E OF M

E-NUMBER

PROD. NO. 4979 WD

DATE: 6-22-62

P.D. FILE NO.

DRAWN: *C.A.* CHKD: *SA*

ENGD. P.R.S. APPD.

TELETYPE
CORPORATION

4979 WD