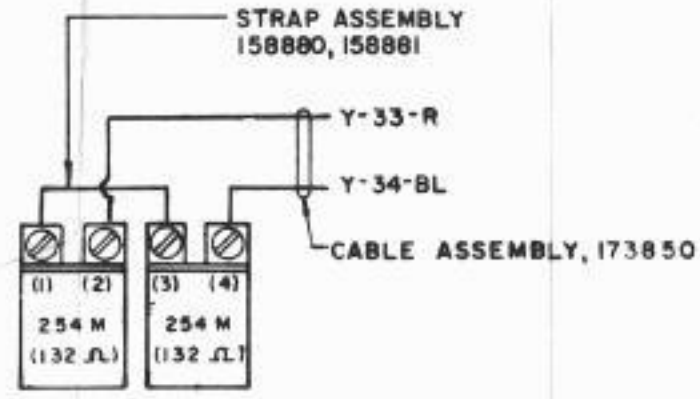


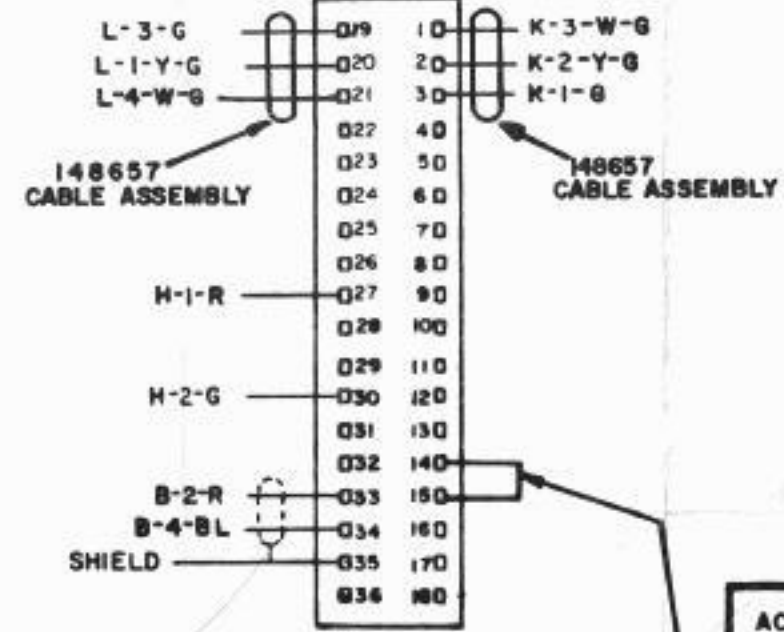
NO.	NOTES
1	COLOR CODE BK BLACK G GREEN BR BROWN BL BLUE R RED P PURPLE O ORANGE S SLATE Y YELLOW W WHITE
2	WIRING LEGEND DISTANT TERMINAL AREA DISTANT TERM. DESIGNATION WIRE COLOR CODE F-4-W-BL
3	TERMINALS DESIGNATED IN PARENTHESIS ARE NOT MARKED ON COMPONENTS.
4	TERMINALS ON CONNECTOR SHOWN AS VIEWED FROM SOLDER END.
5	ASSOCIATED CABLES: 173850, 173621, 148657
6	FOR SCHEMATIC WIRING DIAGRAM SEE 6492WD.

6498WD		
ISSUE	DATE	AUTH. NO.
1	6-19-64	15524
3	3-31-65	86643

**B
SELECTOR MAGNETS**

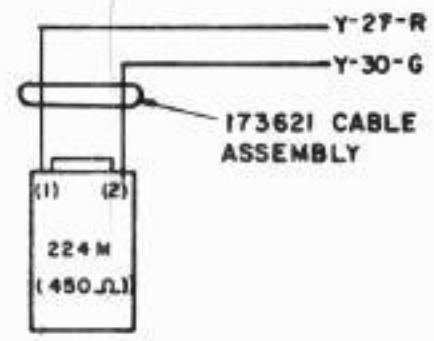


**Y
36-POINT CONNECTOR
161238**

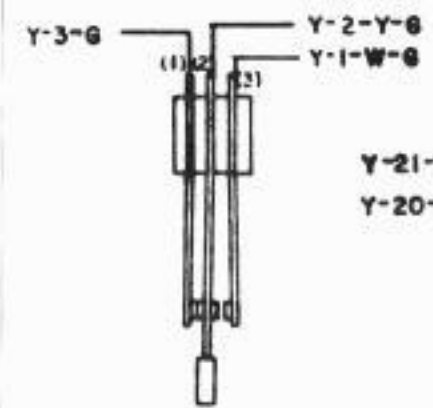


THESE TERMINALS ARE TO BE STRAPPED WITH NO. 20 GA. WIRE ON ALL UNITS.

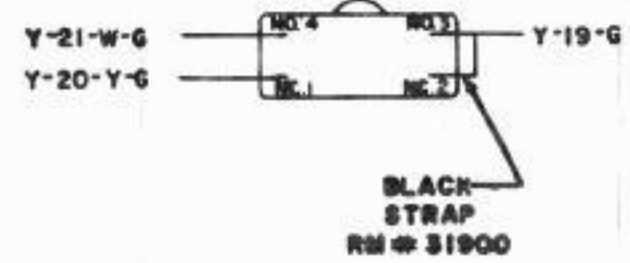
**H
TAPE FEED OUT
MAGNET**



**K
UNIVERSAL
CONTACT
174442**



**L
TAPE IN
MOTION SWITCH
158163**



ACTUAL WIRING DIAGRAM FOR TYPING REPERFORATOR LPR 58

APPROVALS	
DESIGNED BY	DATE
DR. J. H. ...	10-25-62
CHECKED BY	DATE
...	...
TELETYPE CORPORATION	
6498WD	