

DATASPEED TAPE TO TAPE SYSTEM

ELECTRONIC CIRCUITRY

ACTUAL WIRING DIAGRAMS

CONTENTS	PAGE
1. INTRODUCTION . . . . .	1
2. GENERAL . . . . .	1
3. DIAGRAM INDEX . . . . .	2

1. INTRODUCTION

1.01 This section provides the actual electronic wiring diagrams for the 1A and 2A Tape Senders, and 1B and 2B Tape Receivers used in the DATASPEED Tape to Tape System. The schematic and circuit board diagrams are provided in a separate section.

1.02 This section is reissued to rearrange text and to include the latest diagram issues.

2. GENERAL

2.01 The electrical components installed on the High Speed Tape Sender and Tape Receiver are illustrated in the attached actual wiring diagrams.

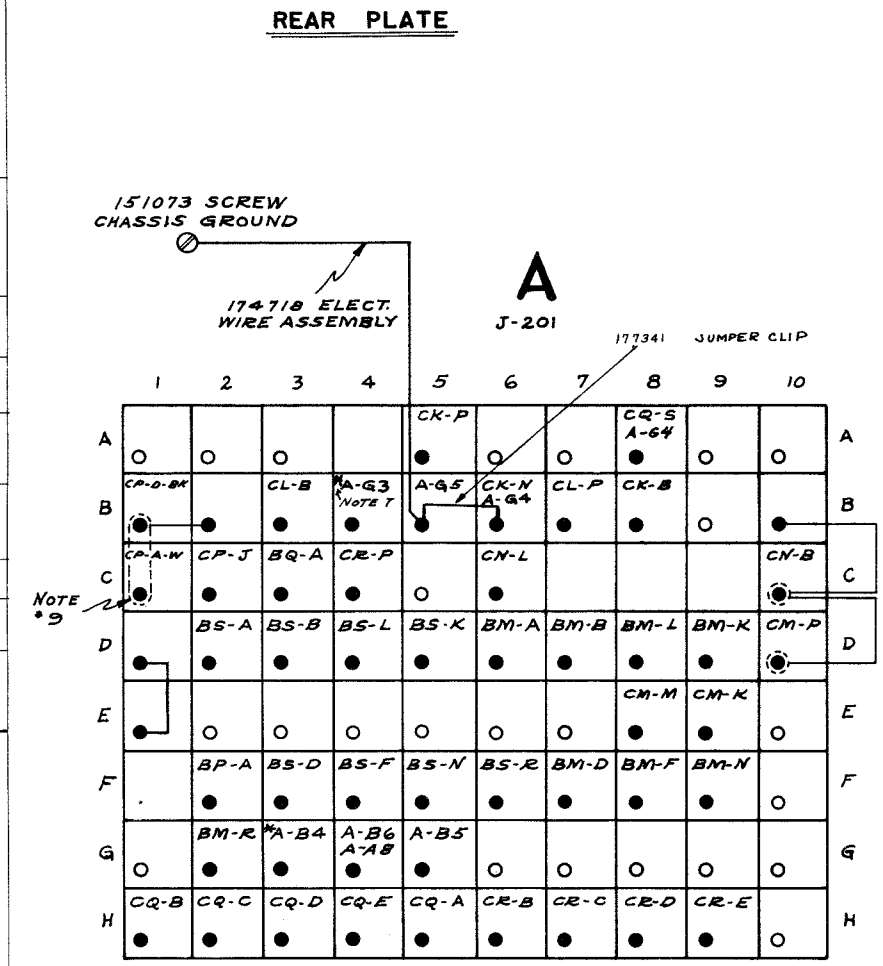
2.02 These diagrams show the origin and termination of the various leads as well as the color coding of the leads for each of the components.

2.03 Notes are included on the diagrams to explain the symbols used or to point out certain special conditions that should be observed.

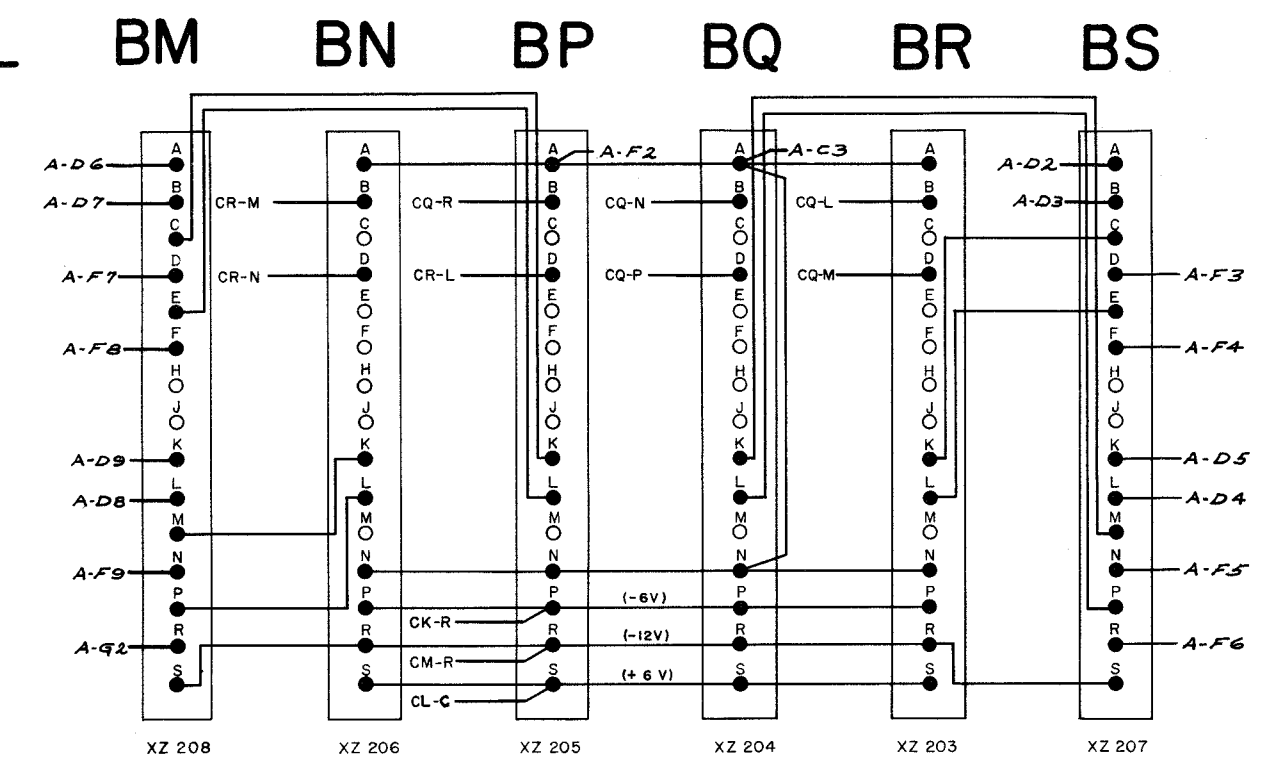
3. DIAGRAM INDEX

SUBJECT	DRAWING NUMBER	SECTION ISSUE					
		1	2	3	4	5	6
Sending Signal Converter	3835WD	A	D	D			
Receiving Signal Converter	3837WD	A	D	D			
Line Break and Automatic Answer (Sending)	3842WD	-	-	C			
Automatic Answer (Receiving)	3844WD	-	-	A			
Sending Distributor	4438WD	1	B	B			
Receiving Distributor	4440WD	1	C	E			
Sending Signal Converter w/Rubout Delete	5916WD	-	-	B			

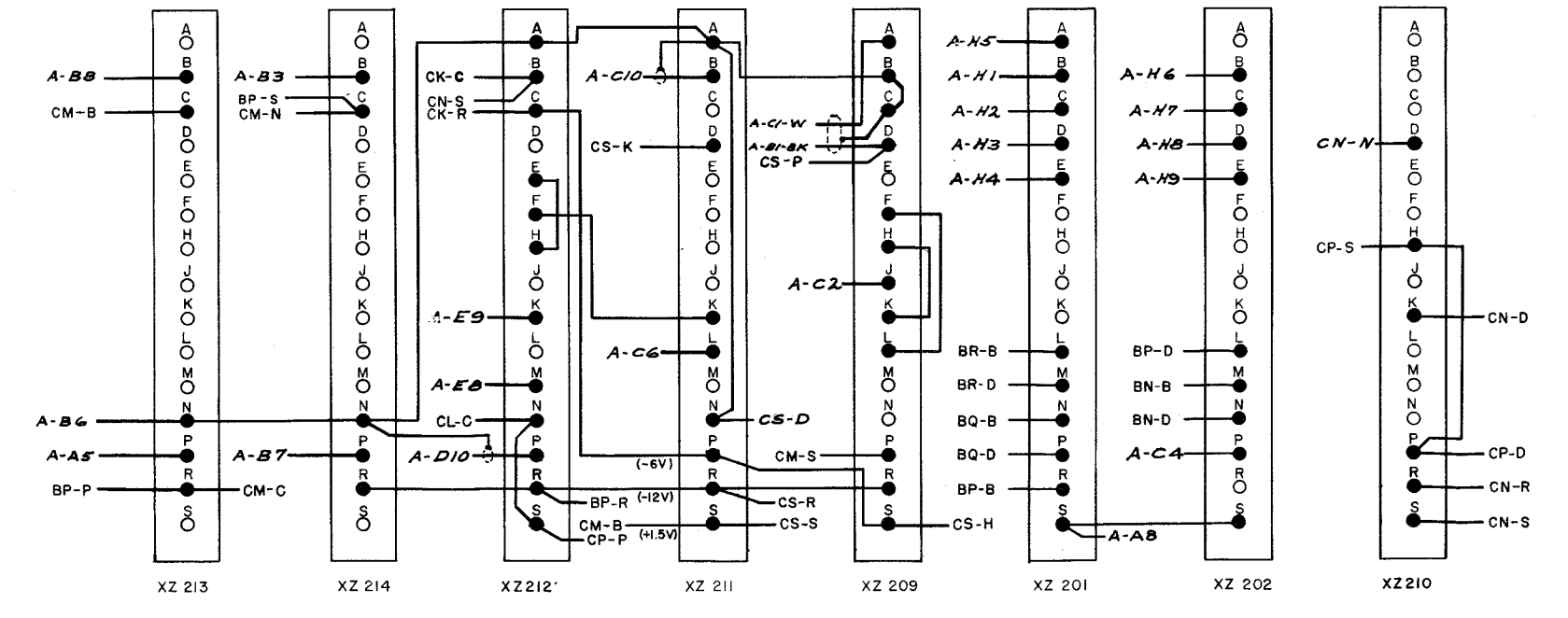
- NOTES**
1. WIRING LEGEND  
AA-47-W-BR DISTANT TERMINATING AREA  
WIRE COLOR CODE  
DISTANT TERMINATING DESIGNATION
  2. COLOR CODE  
BLACK—BK GREEN—G  
BROWN—BR BLUE—BL  
RED—R PURPLE—P  
ORANGE—O SLATE—S  
YELLOW—Y WHITE—W
  3. INDICATES SHIELDED WIRE #24 GAGE
  4. USE SLEEVING TO INSULATE WHERE NECESSARY
  5. FOR SURFACE WIRING USE #24 GAGE TYPE BB 3784RM GREEN WIRE EXCEPT WHERE COLOR CODED WIRE IS NOTED.
  6. USE #24 GAGE STRAPPING WIRE RM 39603 TO WIRE ADJACENT TERMINALS AND LONG STRAIGHT RUNS.
  7. USE 18 GAGE WIRE
  8. FOR SCHEMATIC WIRING DIAGRAM REFER TO 3831 WD
  9. INDICATES TWO CONDUCTOR SHIELDED WIRE RM 3181R



**MODULE WIRING DIAGRAM**



CA CB CC CD CE CF CG CH CJ CK CL CM CN CP CQ CR CS



**TERMINAL SIDE VIEW**

FRONT

APPROVALS

D AND E OF M

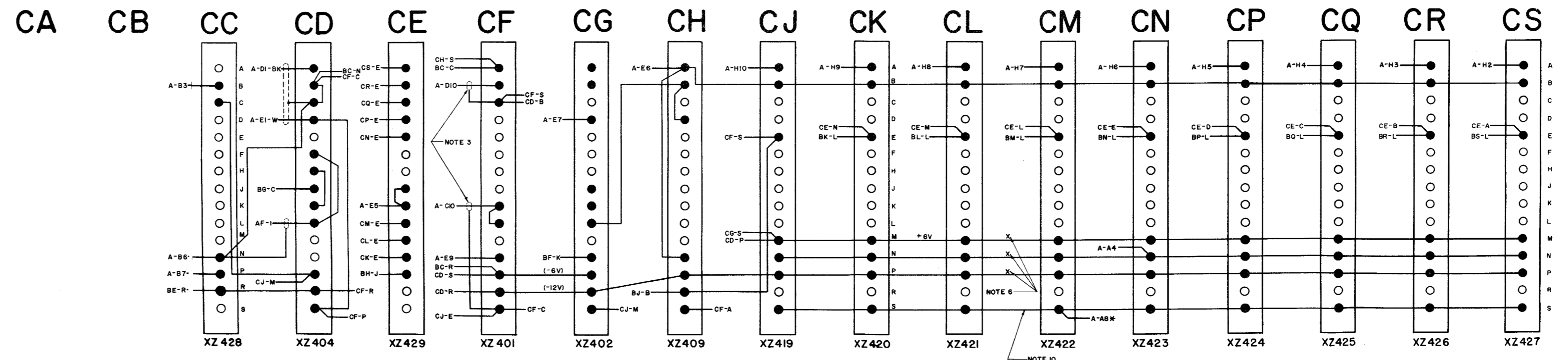
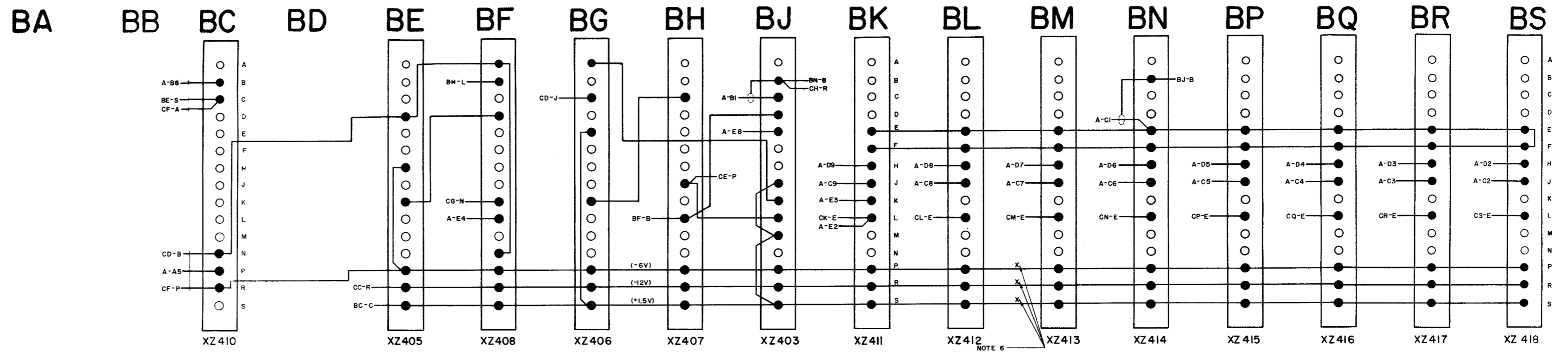
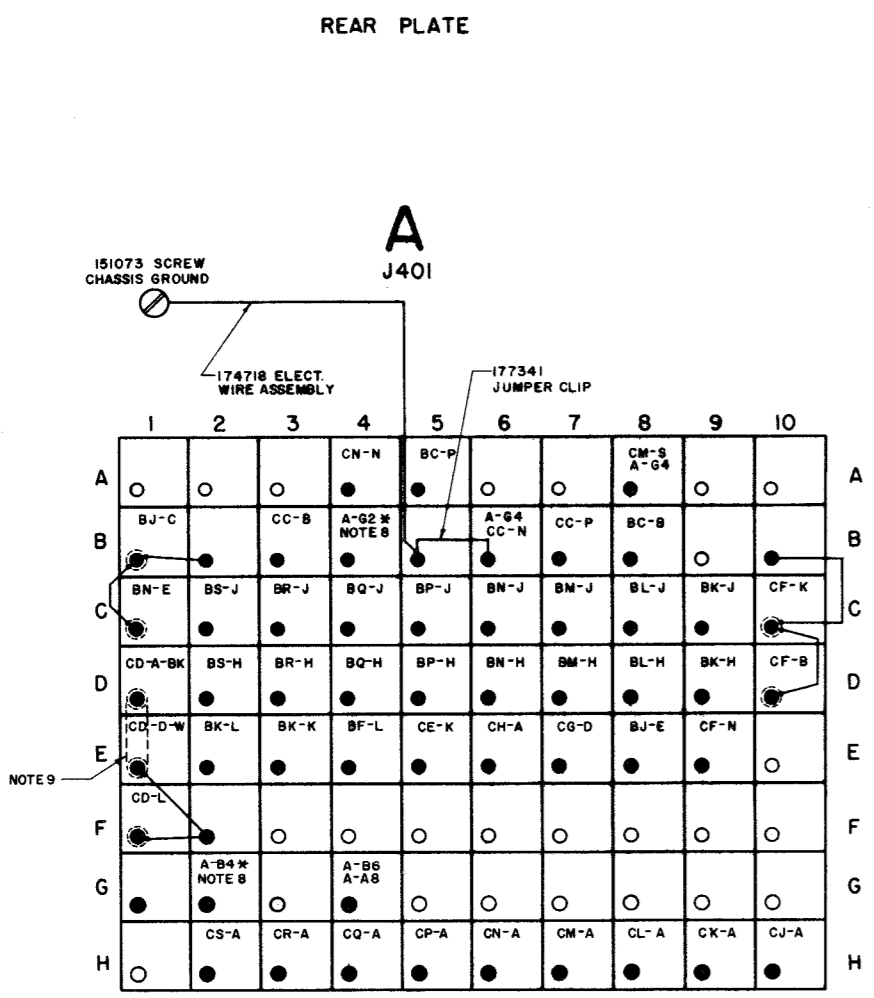
ACTUAL WIRING DIAGRAM FOR HIGH SPEED TRANSMITTING SIGNAL CONVERTER TTSC 500, 800

DATE: 12-28-61  
 RD. FILE NO. J-1344A  
 DRAWN: JPS  
 ENGR: EHP

TELETYPE CORP.

**3835WD**

- NOTES:
1. WIRING LEGEND  
 — DISTANT TERMINATING AREA  
 AA-47-W-BR — WIRE COLOR CODE  
 — DISTANT TERMINATING DESIGNATION
  2. COLOR CODE  
 B-BLACK G-GREEN  
 BR-BROWN BL-BLUE  
 R-RED S-SLATE  
 O-ORANGE W-WHITE  
 Y-YELLOW P-PURPLE
  3. INDICATES SHIELDED WIRE #24 GAGE
  4. USE SLEEVING TO INSULATE WHERE NECESSARY.
  5. FOR SURFACE WIRING USE #24 GAGE TYPE BS3784RM GREEN WIRE EXCEPT WHERE COLOR CODED WIRE IS NOTED.
  6. X- USE #24 GAGE STRAPPING WIRE 38608RM TO WIRE ADJACENT TERMINALS AND LONG STRAIGHT RUNS.
  7. FOR SCHEMATIC WIRING DIAGRAM REFER TO 3833WD.
  8. BK\* USE #8 GAGE 3177ORM.
  9. INDICATES TWO CONDUCTOR SHIELDED CABLE.
  10. STRAP FROM CJ-S TO CS-S SHALL BE TWO #24 GAGE BARE STRAPS.



FRONT

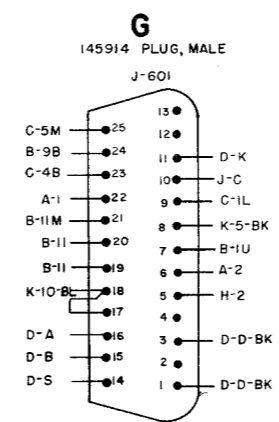
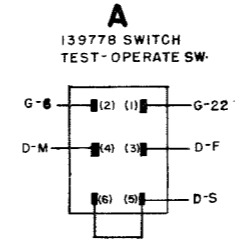
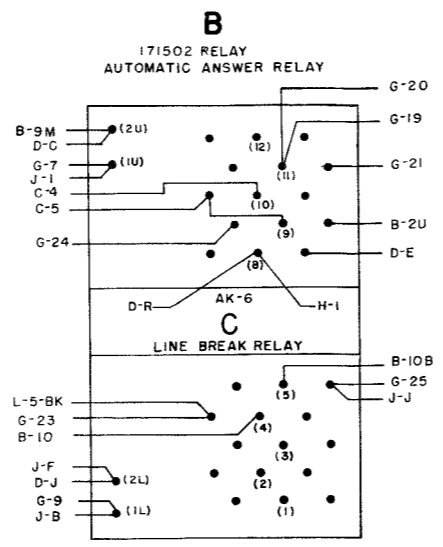
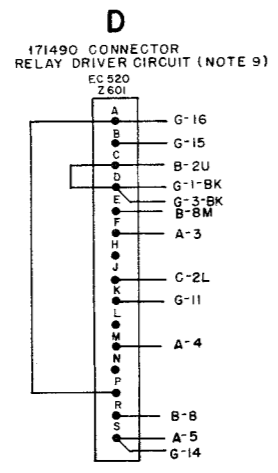
3842 WD		
REVISIONS		
ISSUE	DATE	AUTH. NO.
A	1-17-60	17232
B	1-24-60	17335
C	10-4-62	74728

- NO. NOTES
1. WIRING LEGEND:
    - DISTANT TERMINATING AREA
    - WIRE COLOR CODE
    - DISTANT TERMINATING DESIGNATION
  2. USE SLEEVING TO INSULATE WHERE NECESSARY
  3. USE 24GA TYPE BG31784RM GREEN WIRE UNLESS OTHERWISE SPECIFIED
  4. \* DENOTES 18GA. WIRE
  5. COLOR CODE:
 

BR BROWN	BL BLUE
BK BLACK	G GREEN
R RED	P PURPLE
O ORANGE	S SLATE
Y YELLOW	W WHITE
  6. FOR SCHEMATIC WIRING DIAGRAM REFER TO 3843WD
  7. NUMBERS IN ( ) NOT MARKED ON COMPONENTS
  8. ALL CONNECTIONS ARE SHOWN AS VIEWED FROM SOLDERED END
  9. REFER TO 3843WD

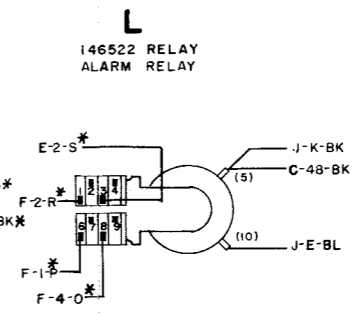
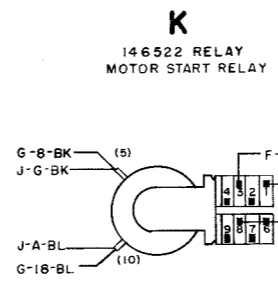
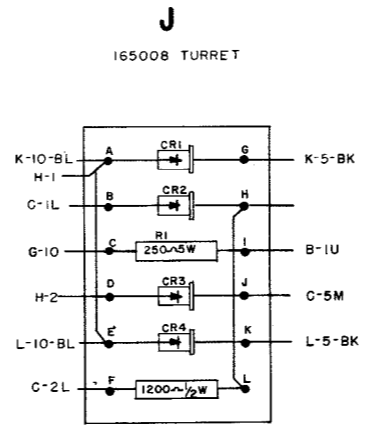
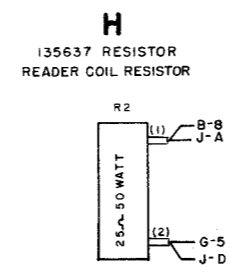
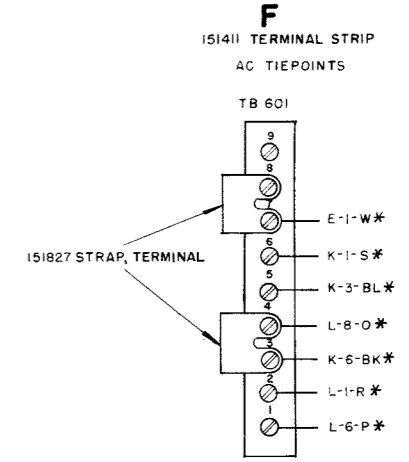
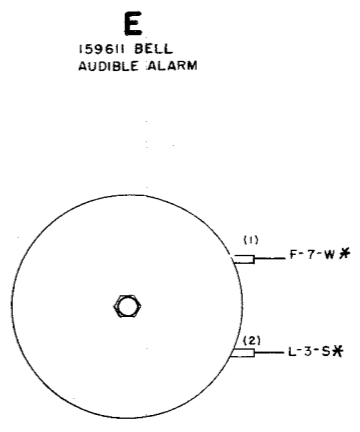
### BOTTOM VIEW

(WITH LIP OF MOUNTING PLATE ON TOP)



### TOP VIEW

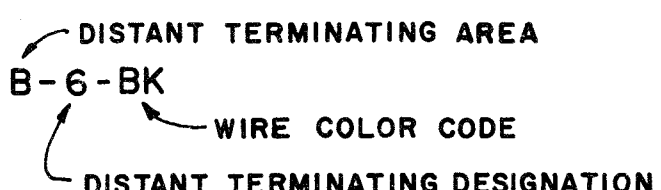
(WITH LIP OF MOUNTING PLATE ON TOP)



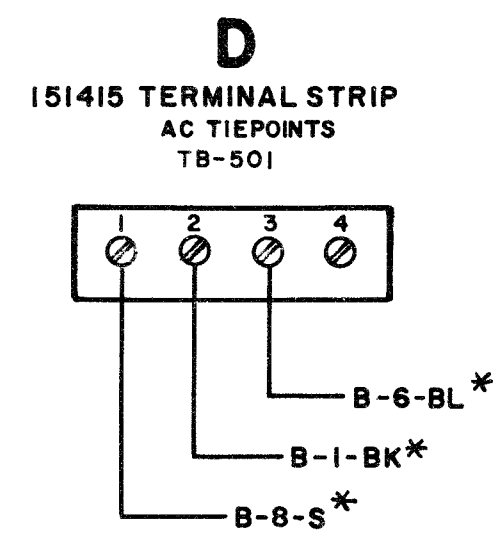
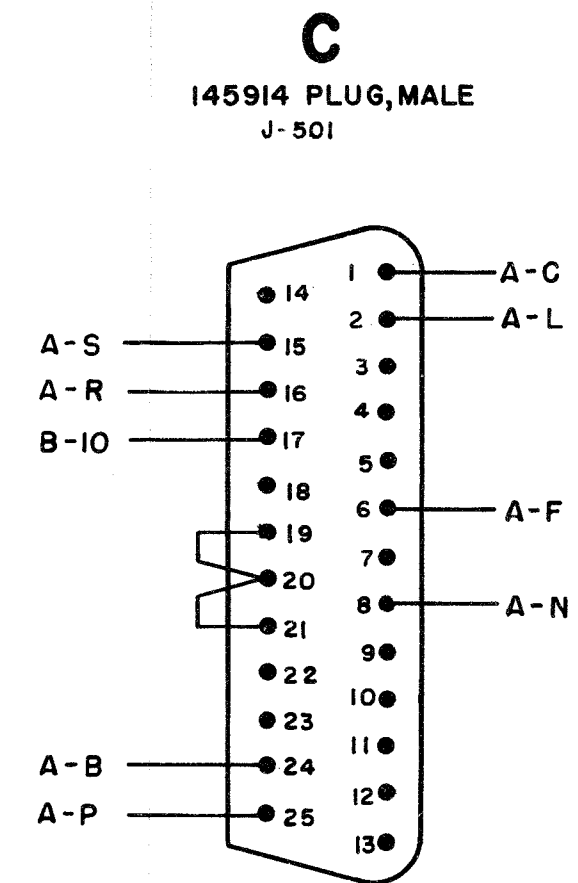
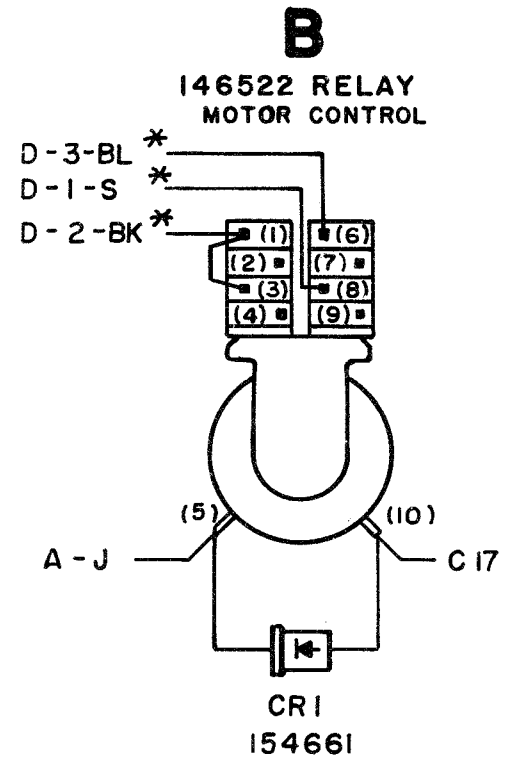
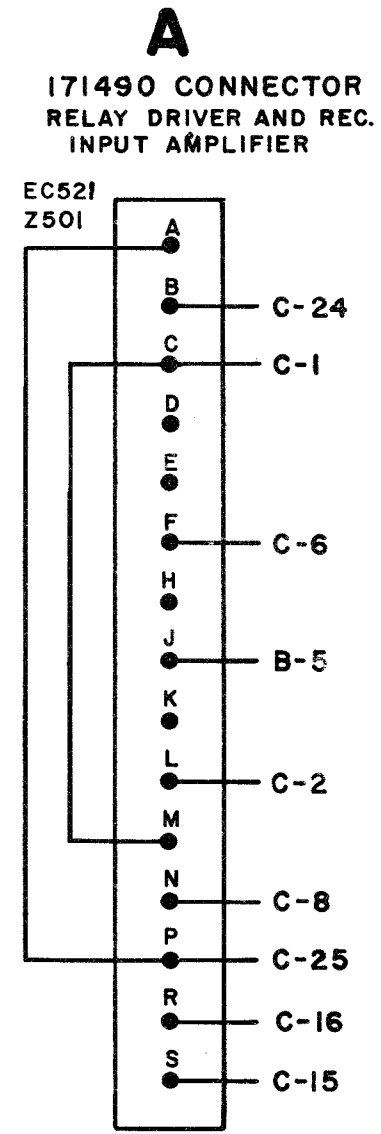
APPROVALS	
D AND R	E OF M
E-NUMBER	
PROD. NO. 3842 WD	
ACTUAL WIRING DIAGRAM FOR DATASPEED LINE BREAK AND AUTOMATIC ANSWER (TRANSMITTER)	
DATE OCT 5, 1961	
R.D. FILE NO.	CHD.
DRAWN D.D.G.	APPD.
ENG.	TELETYPE CORPORATION
3842 WD	

3844 WD

ISSUE	DATE	AUTH. NO.
A	2-5-62	72339

- NO. NOTES**
- 1. WIRING LEGEND:**  

  - 2. USE SLEEVING TO INSULATE WHERE NECESSARY.**
  - 3. USE 24GA TYPE BG31784RM GREEN WIRE UNLESS OTHERWISE SPECIFIED.**
  - 4. \* DENOTES 18GA WIRE.**
  - 5. COLOR CODE:**  

BK	BLACK	BR	BROWN
R	RED	O	ORANGE
Y	YELLOW	BL	BLUE
G	GREEN	P	PURPLE
S	SLATE	W	WHITE
  - 6. ALL CONNECTIONS VIEWED FROM COMPONENT END.**
  - 7. NUMBERS IN ( ) NOT MARKED ON COMPONENTS.**
  - 8. FOR SCHEMATIC WIRING DIAGRAM REFER TO 3845WD**

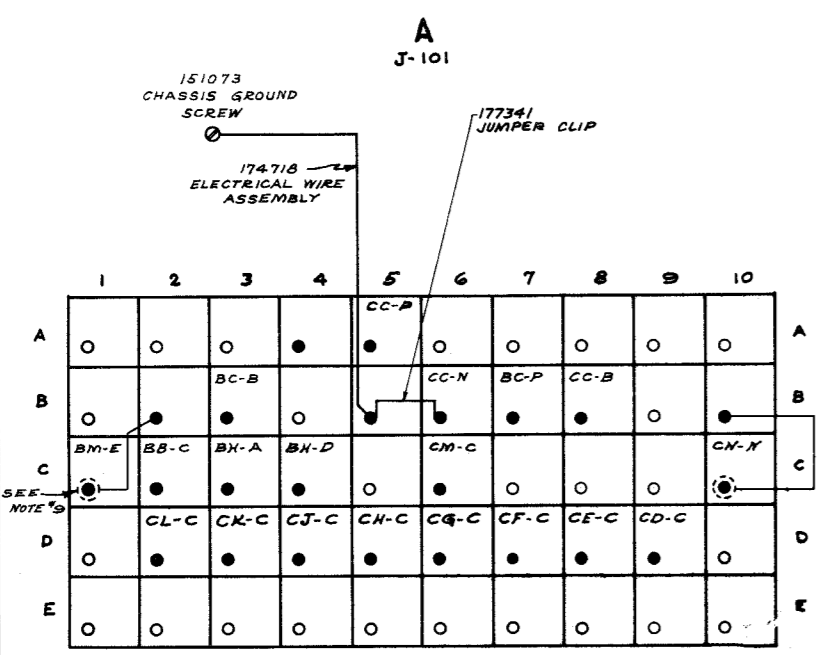


ACTUAL WIRING DIAGRAM  
FOR  
DATASPEED AUTOMATIC  
ANSWER KIT.  
(RECEIVER)

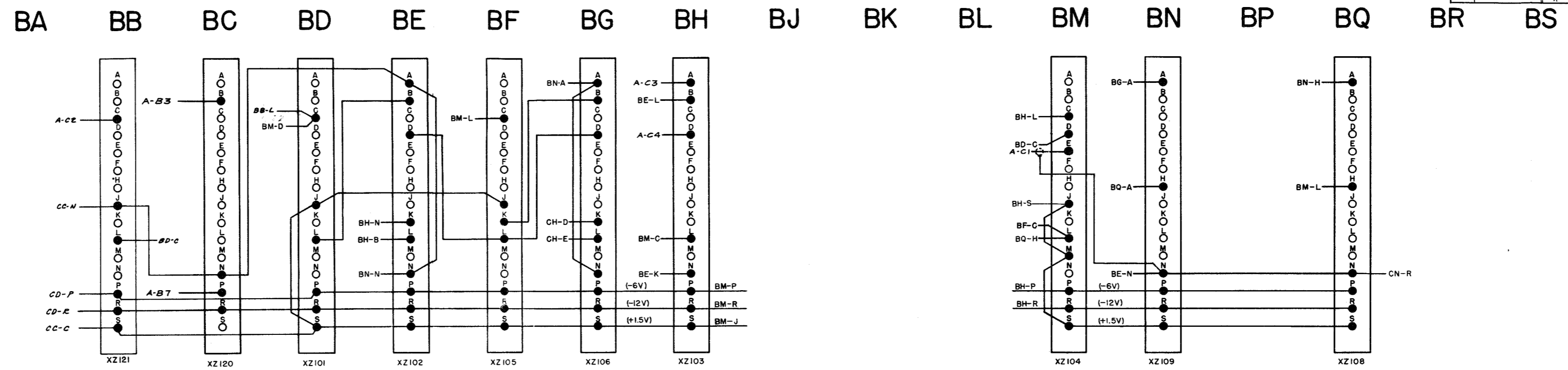
APPROVALS	
D AND R	E OF M
E-NUMBER	
PROD. NO. 3844 WD	
DATE: 12-OCT-61	
P.D. FILE NO. 1- 11.134AA	
DRAWN. SW	CHKD.
ENGD. CJR	APPR.
TELETYPE CORPORATION	
3844 WD	

- NOTES
1. WIRING LEGEND:  
 AA-47-W-BR  
 WIRE COLOR CODE  
 DISTANT TERMINATING DESIGNATION
  2. COLOR CODE:  
 BLACK -BK GREEN -G  
 BROWN -BR BLUE -BL  
 RED -R PURPLE -P  
 ORANGE -O SLATE -S  
 YELLOW -Y WHITE -W
  3. INDICATES SHIELDED WIRE 24 GAGE.
  4. USE SLEEVING TO INSULATE WHERE NECESSARY.
  5. FOR SURFACE WIRING USE 24 GAGE TYPE BG-31794RM GREEN WIRE EXCEPT WHERE COLOR CODED WIRE IS NOTED.
  6. USE 24 GAGE STRAPPING WIRE 39603RM TO WIRE ADJACENT TERMINALS AND LONG STRAIGHT RUNS.
  7. FOR SCHEMATIC WIRING DIAGRAM REFER TO 4438 WD
  8. REFER TO VARIATIONS IN APPARATUS CODES CHART.
  9. DENOTES SHIELDED WIRE

REAR PLATE



MODULE WIRING DIAGRAM

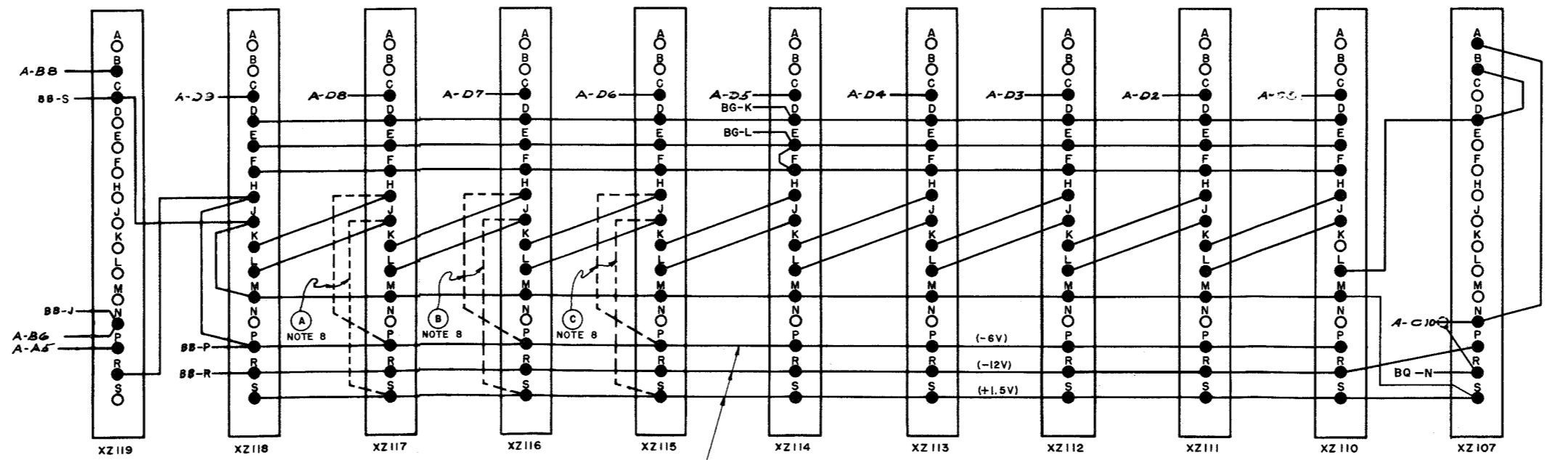


VARIATIONS IN APPARATUS CODES CHART

CODE - TTD	COMPONENTS OMITTED OR INCLUDED - OMIT X INCLUDE									
	501	601	701	801	502	602	702	802	900	1050
BAUD	600									
LEVEL	5	6	7	8	5	6	7	8	7	8
A STRAPS	-	-	X	-	-	X	-	X	-	-
B STRAPS	-	X	-	-	-	X	-	-	-	-
C STRAPS	X	-	-	-	X	-	-	-	-	-

CODE-TTD	603
BAUD	1050
LEVEL	6
A STRAPS	-
B STRAPS	X
C STRAPS	-

CA CB CC CD CE CF CG CH CJ CK CL CM CN CP CQ CR CS



TERMINAL SIDE VIEW

4438

REVISIONS

NO.	DATE	BY	REVISION
1	12-20-57	WJ	REVISED
2	1-24-58	WJ	REVISED

APPROVALS

DESIGNED BY:

ENGINEER:

PROD. NO.:

ACTUAL WIRING DIAGRAM FOR HIGH SPEED TRANSMITTING DISTRIBUTOR TTD 501 TO 502 601 TO 603 701 TO 703 801 TO 804

DATE: 13-APRIL-61

FD FILE NO. 7-11-1000

ORIGIN: E.F.L. (1000)

ENGR: E.H.P. (1000)

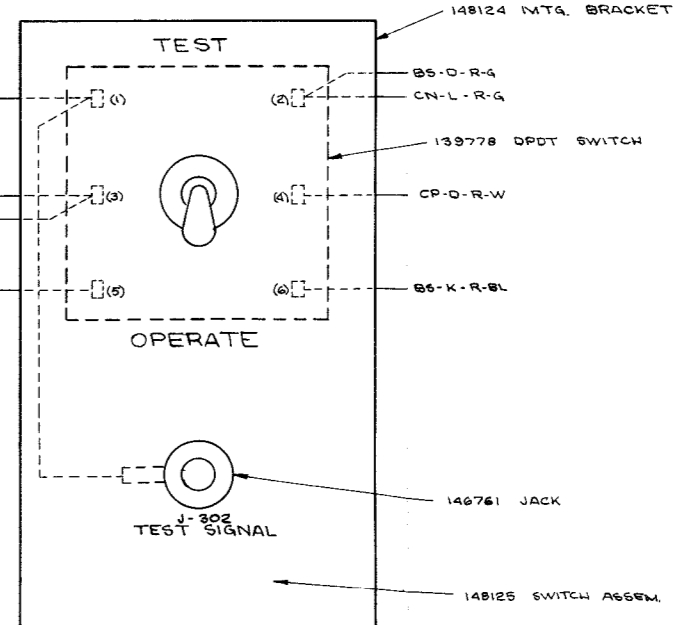
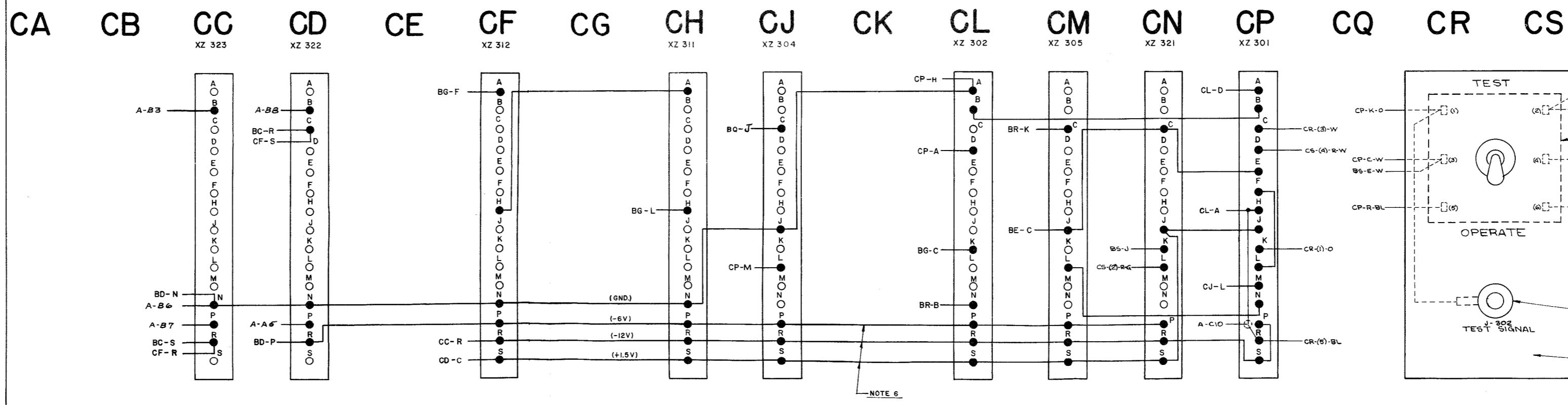
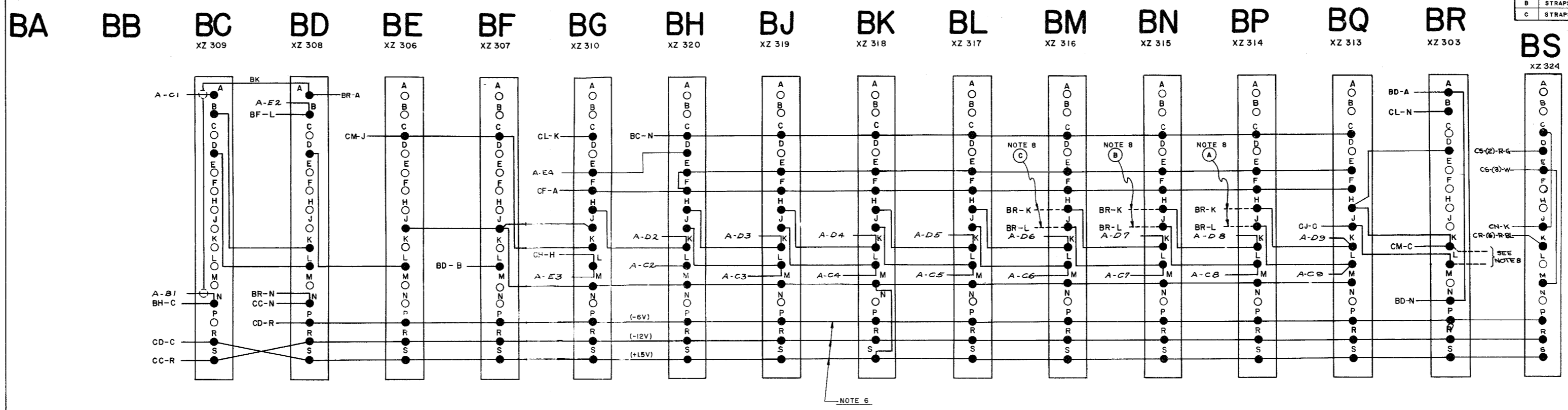
TELETYPE CORPORATION

VARIATIONS IN APPARATUS CODES CHART

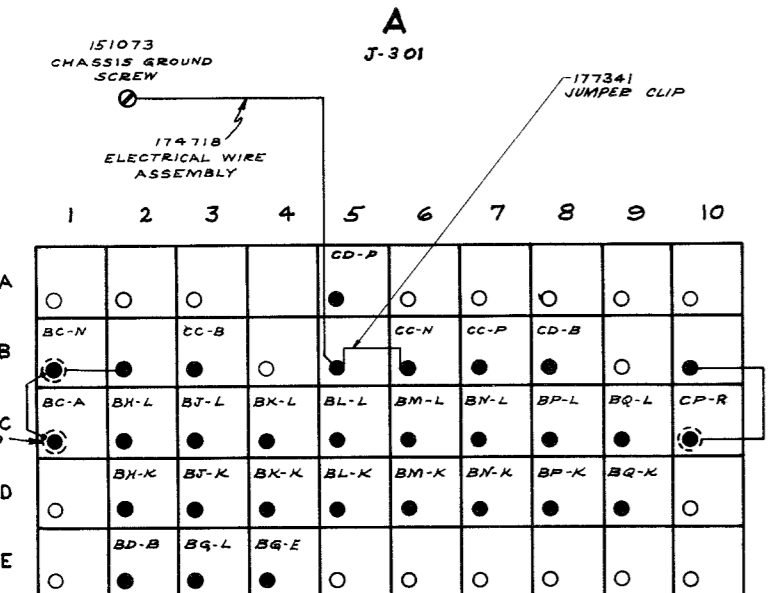
CODE - TRD	COMPONENTS OMITTED OR INCLUDED - OMIT X INCLUDE										
	501	601	701	801	502	602	702	802	703	803	804
BAUD			600				750			900	1050
LEVEL	5	6	7	8	5	6	7	8	7	8	8
A STRAPS		X					X				
B STRAPS		X				X					
C STRAPS	X				X						

CODE - TRD	603	804
BAUD		1050
LEVEL	6	6
A STRAPS		
B STRAPS	X	
C STRAPS		

MODULE WIRING DIAGRAM



- NOTES
- WIRING LEGEND  
DISTANT TERMINATING AREA  
AA-47-W-BB  
WIRE COLOR CODE  
DISTANT TERMINATING DESIGNATION
  - COLOR CODE  
BLACK - BK  
BROWN - BR  
RED - R  
ORANGE - O  
YELLOW - Y  
GREEN - G  
BLUE - BL  
PURPLE - P  
SLATE - S  
WHITE - W
  - INDICATES SHIELDED WIRE 24 GAGE
  - USE SLEEVING TO INSULATE WHERE NECESSARY
  - FOR SURFACE WIRING USE #24 GAGE TYPE BG-3178 RM GREEN WIRE EXCEPT WHERE COLOR CODED WIRE IS NOTED
  - USE #24 GAGE STRAPPING WIRE ADJACENT TERMINALS AND LONG STRAIGHT RUNS
  - FOR SCHEMATIC WIRING DIAGRAM REFER TO 4441 WD
  - REFER TO VARIATIONS IN APPARATUS CODES CHART
  - DENOTES SHIELDED WIRE



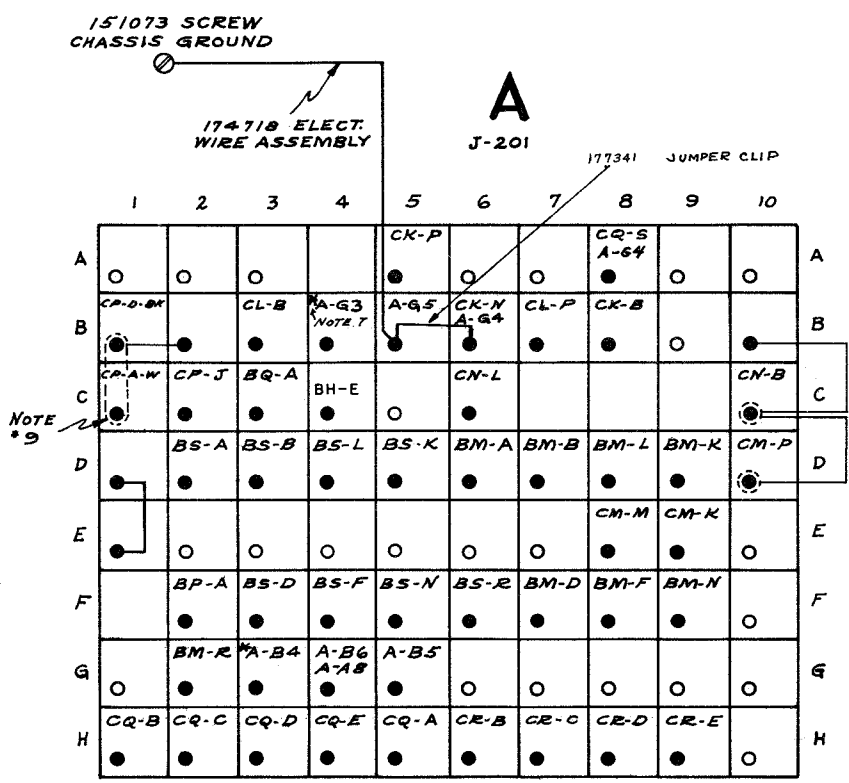
TERMINAL SIDE VIEW

FRONT



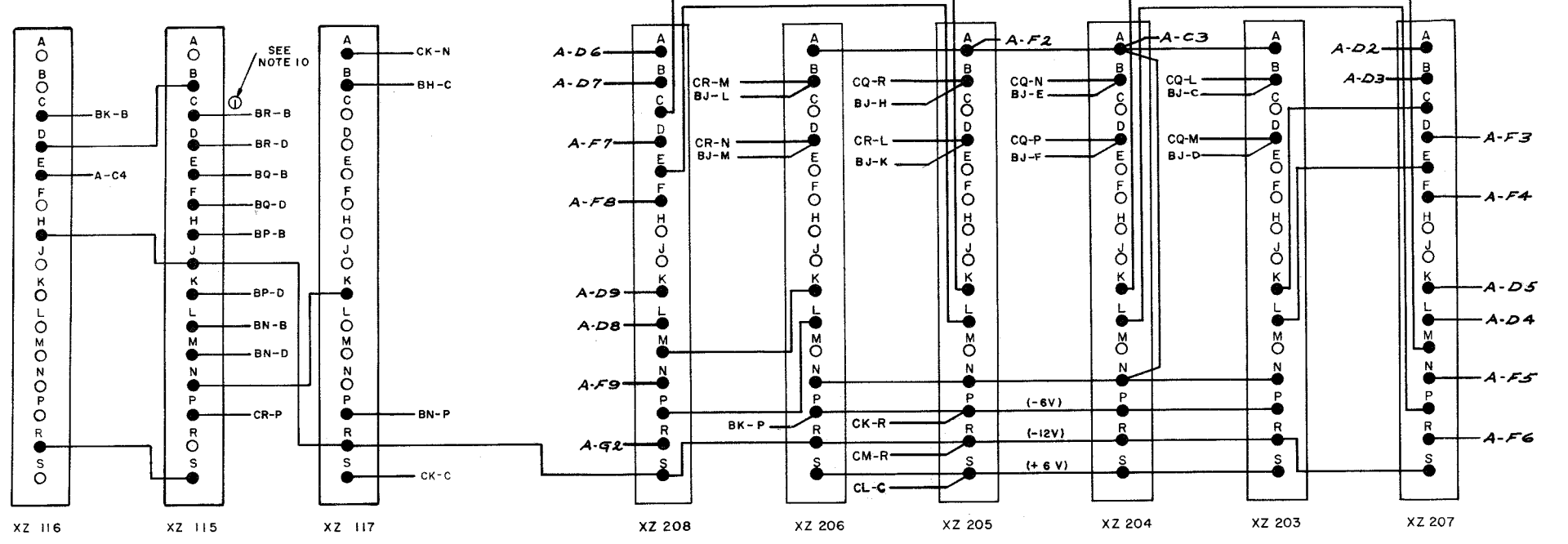
- NO. NOTES
- 1 WIRING LEGEND  
 - DISTANT TERMINATING AREA  
 AA-47-W-BR  
 - WIRE COLOR CODE  
 - DISTANT TERMINATING DESIGNATION
  - 2 COLOR CODE  
 BLACK—BK GREEN—G  
 BROWN—BR BLUE—BL  
 RED—R PURPLE—P  
 ORANGE—O SLATE—S  
 YELLOW—Y WHITE—W
  - 3 [Symbol] INDICATES SHIELDED WIRE #24 GAGE
  - 4 USE SLEEVING TO INSULATE WHERE NECESSARY
  - 5 FOR SURFACE WIRING USE #24 GAGE TYPE 903784-00 GREEN WIRE EXCEPT WHERE COLOR CODED WIRE IS NOTED.
  - 6 USE #24 GAGE STRAPPING WIRE RM39803 TO WIRE ADJACENT TERMINALS AND LONG STRAIGHT RUNS.
  - 7 \* USE 18 GAGE WIRE
  - 8 FOR SCHEMATIC WIRING DIAGRAM REFER TO 5917 WD
  - 9 [Symbol] INDICATES TWO CONDUCTOR SHIELDED WIRE RM3181\*
  - 10 [Symbol] RUBOUT DELETE FOR TYPE 2 LEVEL OPERATION, OMIT LEAD [Symbol] TYPE 1, 3 LEVEL OPERATION IS IDENTICAL TO TYPE 2, 4, 7 & 8 LEVEL OPERATION

REAR PLATE

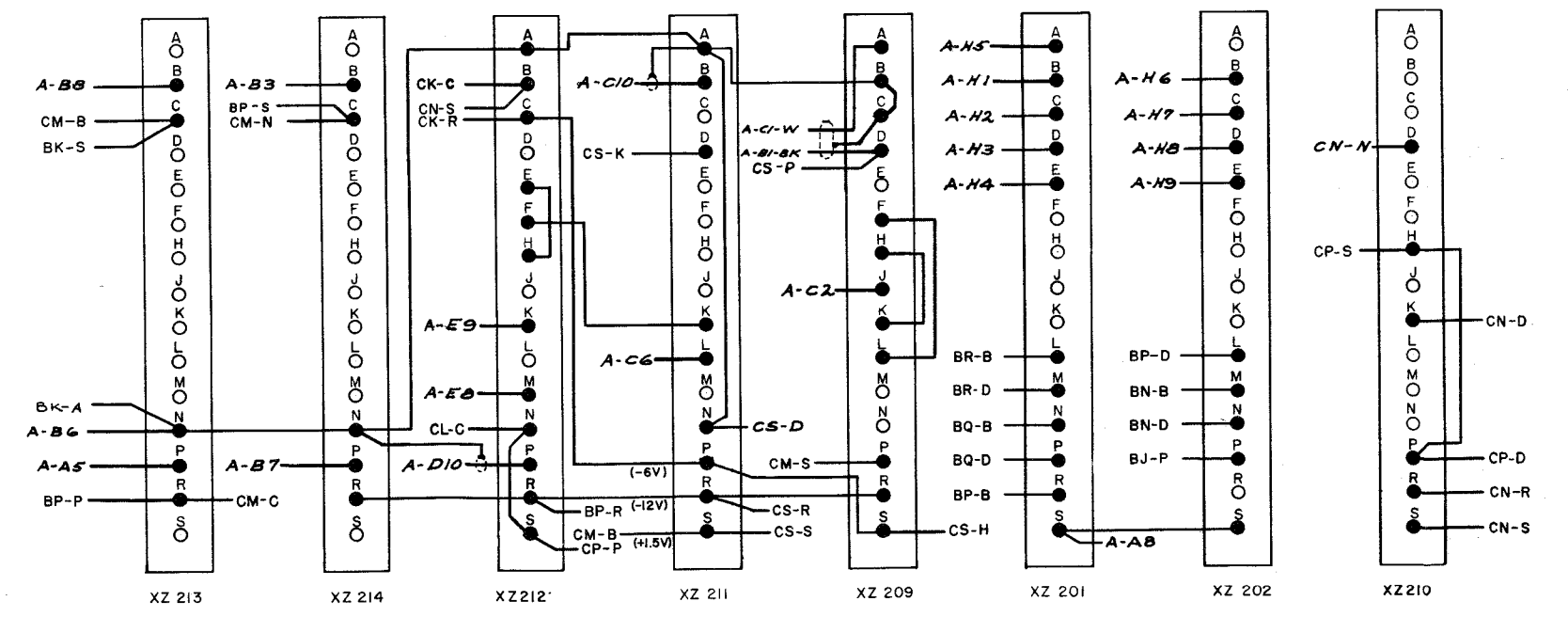


MODULE WIRING DIAGRAM

BA BB BC BD BE BF BG BH BJ BK BL BM BN BP BQ BR BS



CA CB CC CD CE CF CG CH CJ CK CL CM CN CP CQ CR CS



TERMINAL SIDE VIEW

FRONT