

HIGH SPEED TAPE PUNCH (DRPE)
PARTS

FIGURE	CONTENTS	PAGE
1	Main Frame and Magnet Assemblies without Silencing Bumpers (5 Level)	2
2	Main Frame and Magnet Assemblies with Silencing Bumpers (5 and 8 Level)	3
3	Punch Block and Feed Mechanism (5 and 8 Level)	4
4	Main Frame and Magnet Assemblies with Silencing Bumpers (6 and 8 Level)	5
5	Punch Block and Feed Mechanism (6 and 8 Level)	6
6	Feed Drive Mechanism	7
7	Electrical Components	8
8	Electrical Components	9
	Numerical Index	10

Note:

When ordering parts from this section
prefix each number with the letters TP

FIGURE 1. MAIN FRAME AND MAGNET ASSEMBLIES WITHOUT SILENCING BUMPERS (5 Level)

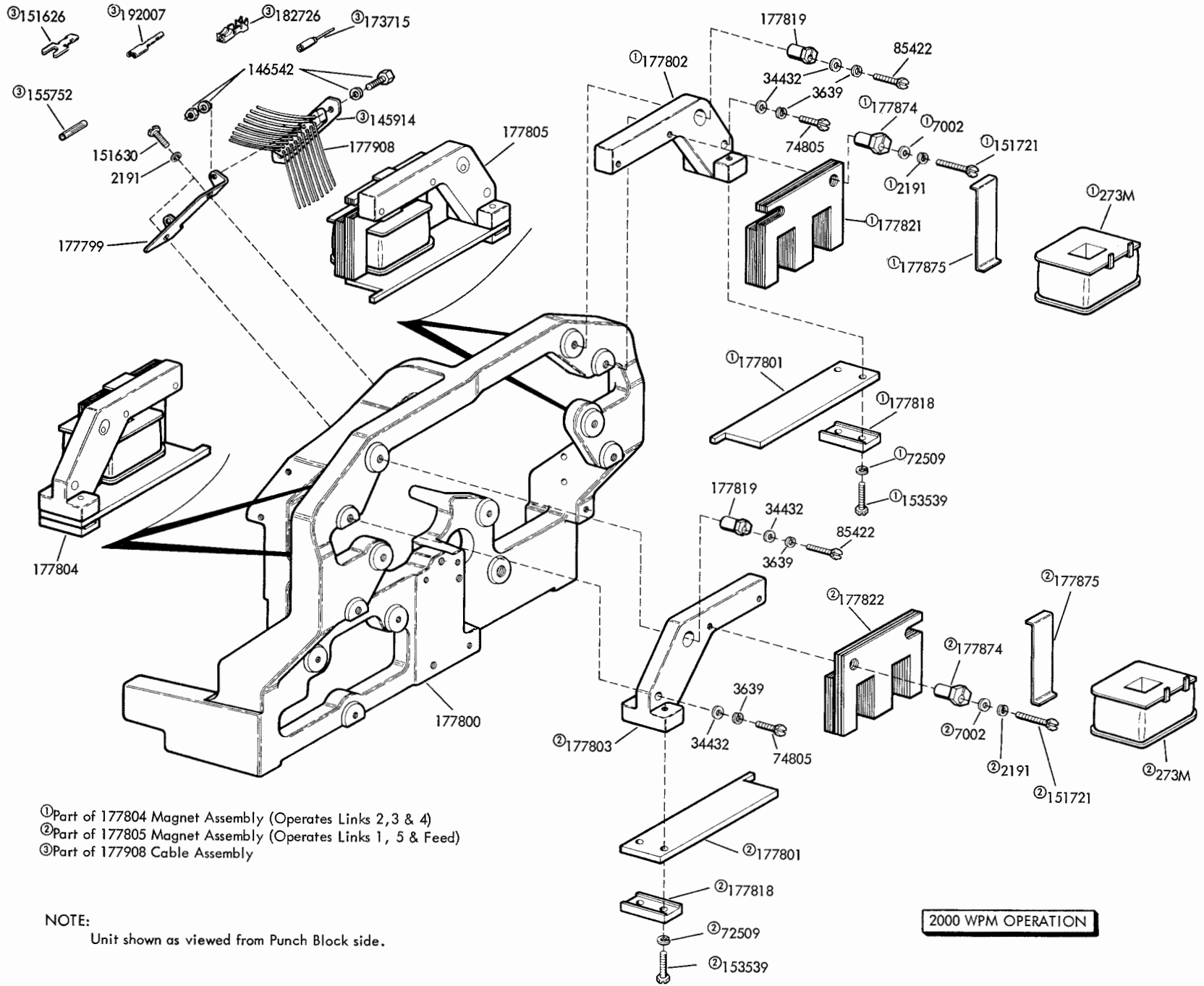
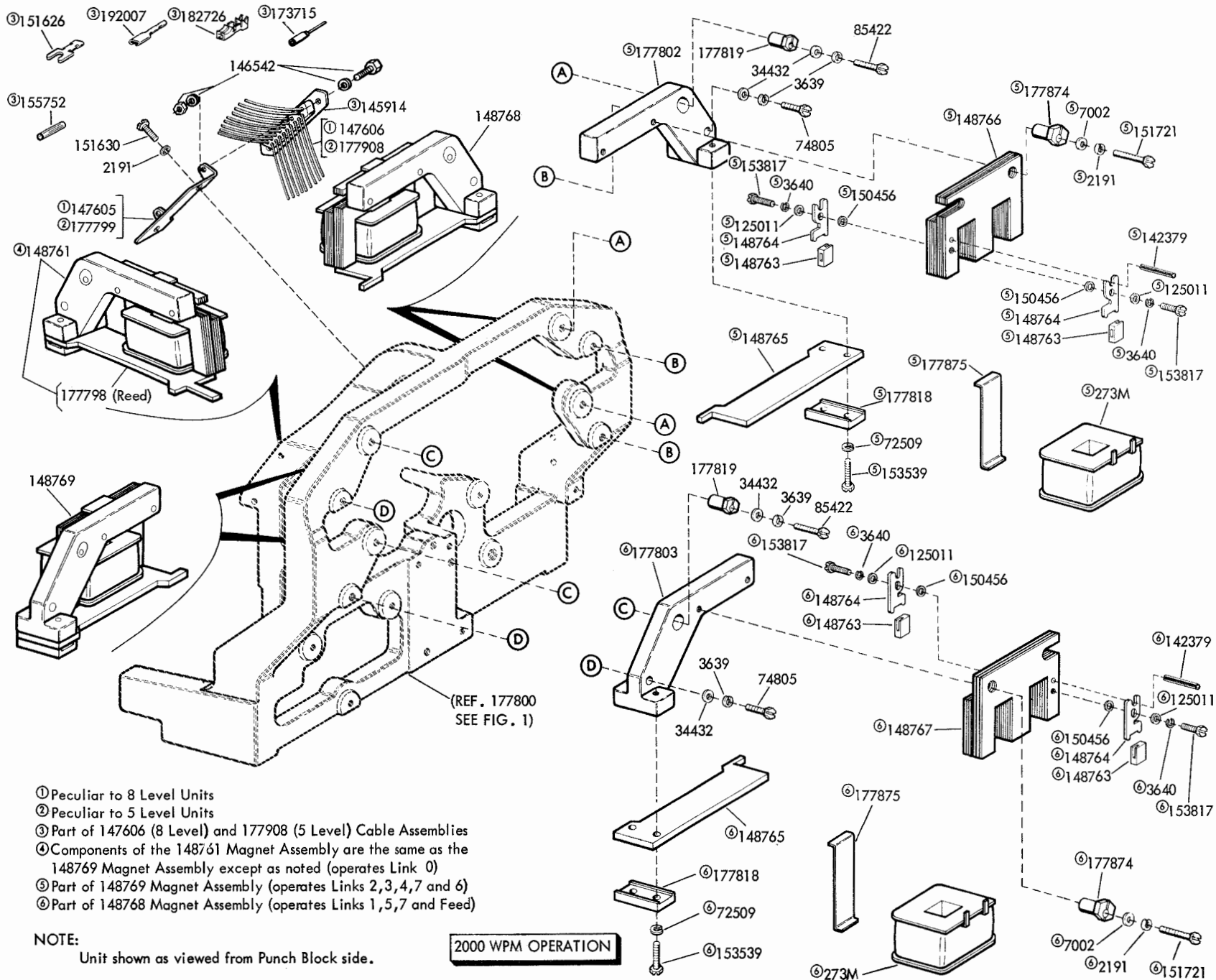


FIGURE 2. MAIN FRAME AND MAGNET ASSEMBLIES WITH SILENCING BUMPERS (5 and 8 Level)



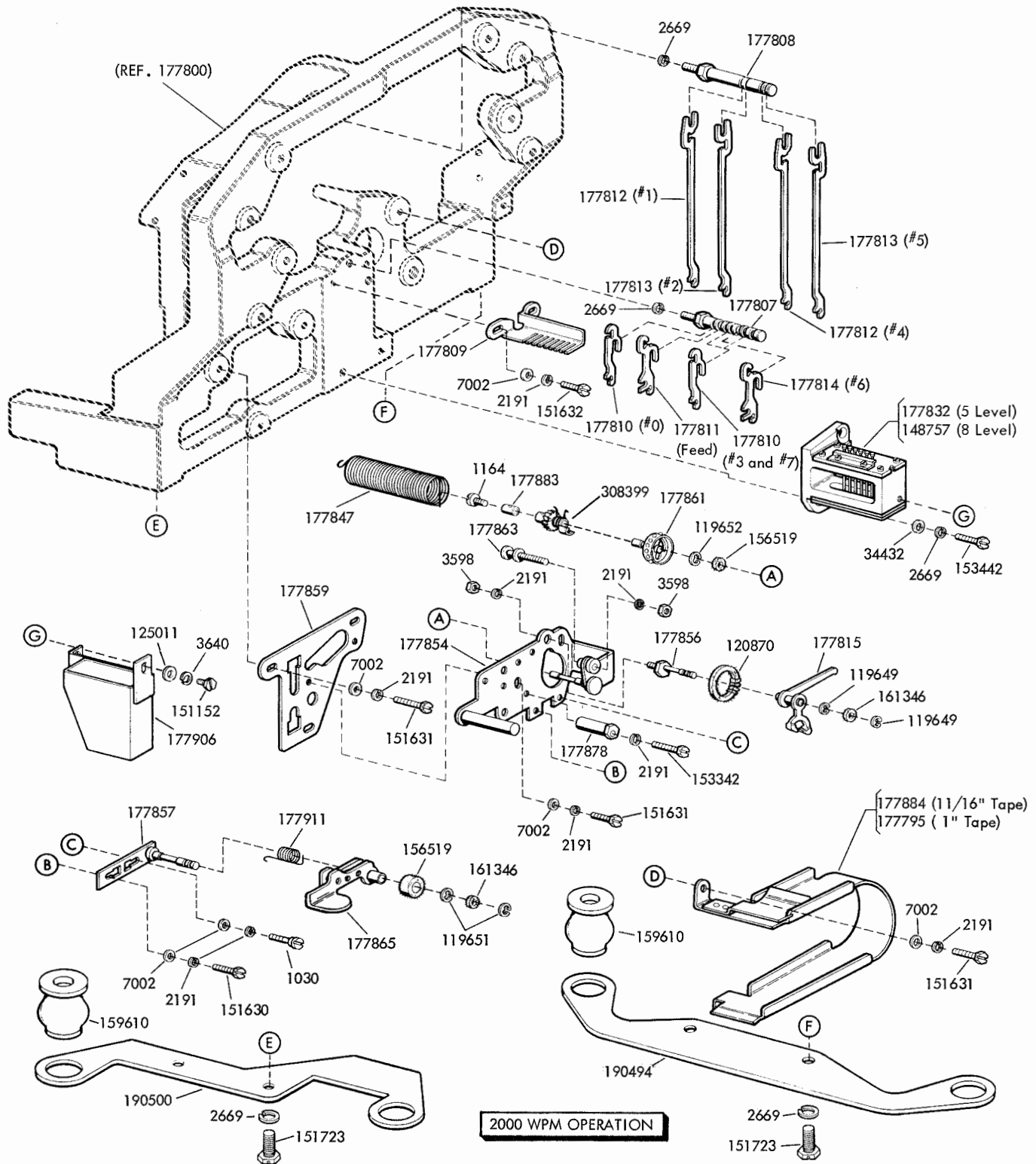
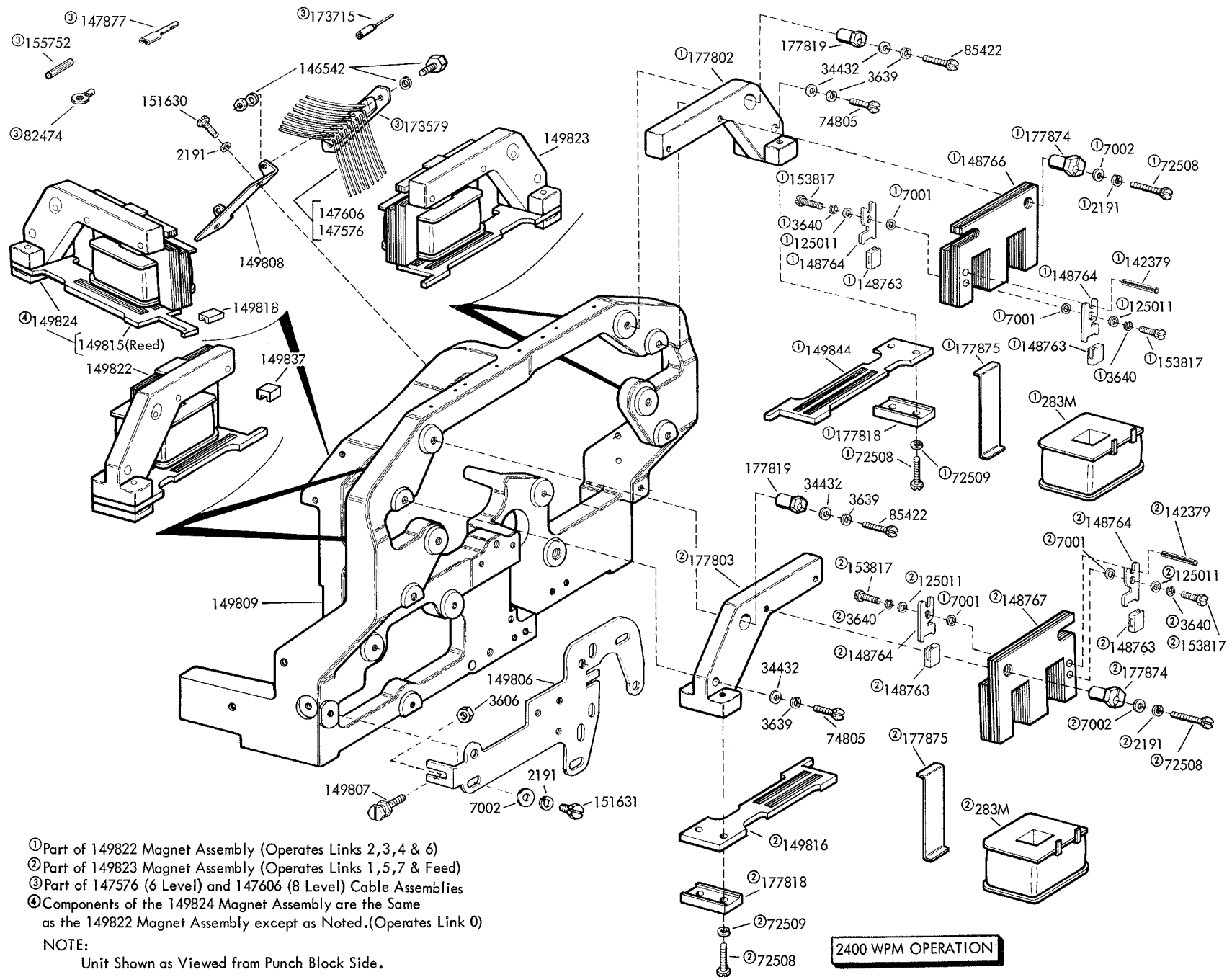


FIGURE 3. PUNCH BLOCK AND FEED MECHANISM (5 and 8 Level)

FIGURE 4. MAIN FRAME AND MAGNET ASSEMBLIES WITH SILENCING BUMPERS (6 and 8 Level)



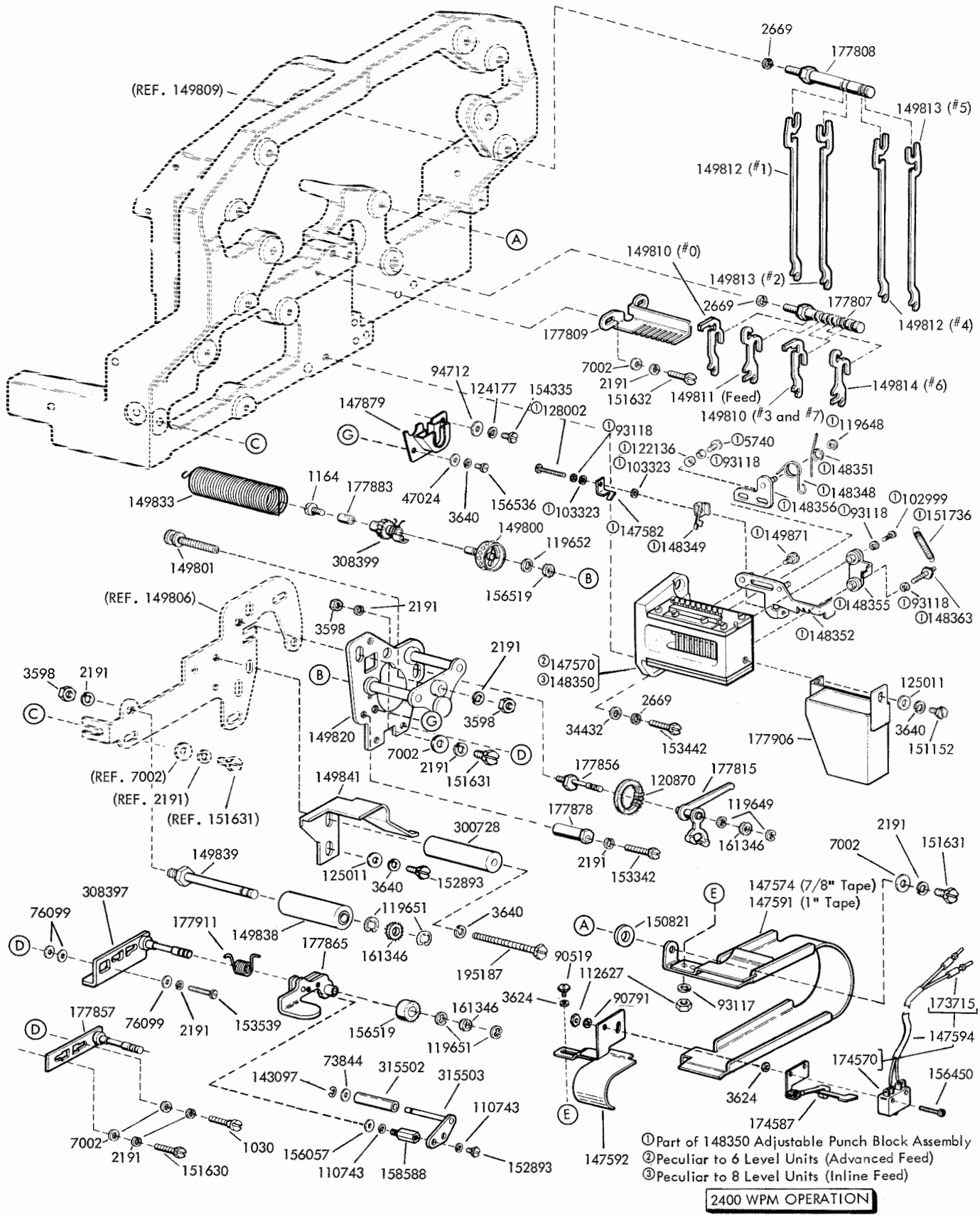


FIGURE 5. PUNCH BLOCK AND FEED MECHANISM (6 and 8 Level)

- ① Peculiar to 5 Level and Early Design 119652
8 Level Units
- ② Peculiar to New Design 8 Level Units
- ③ 60 Cycle Motor
- ④ 50 Cycle Motor

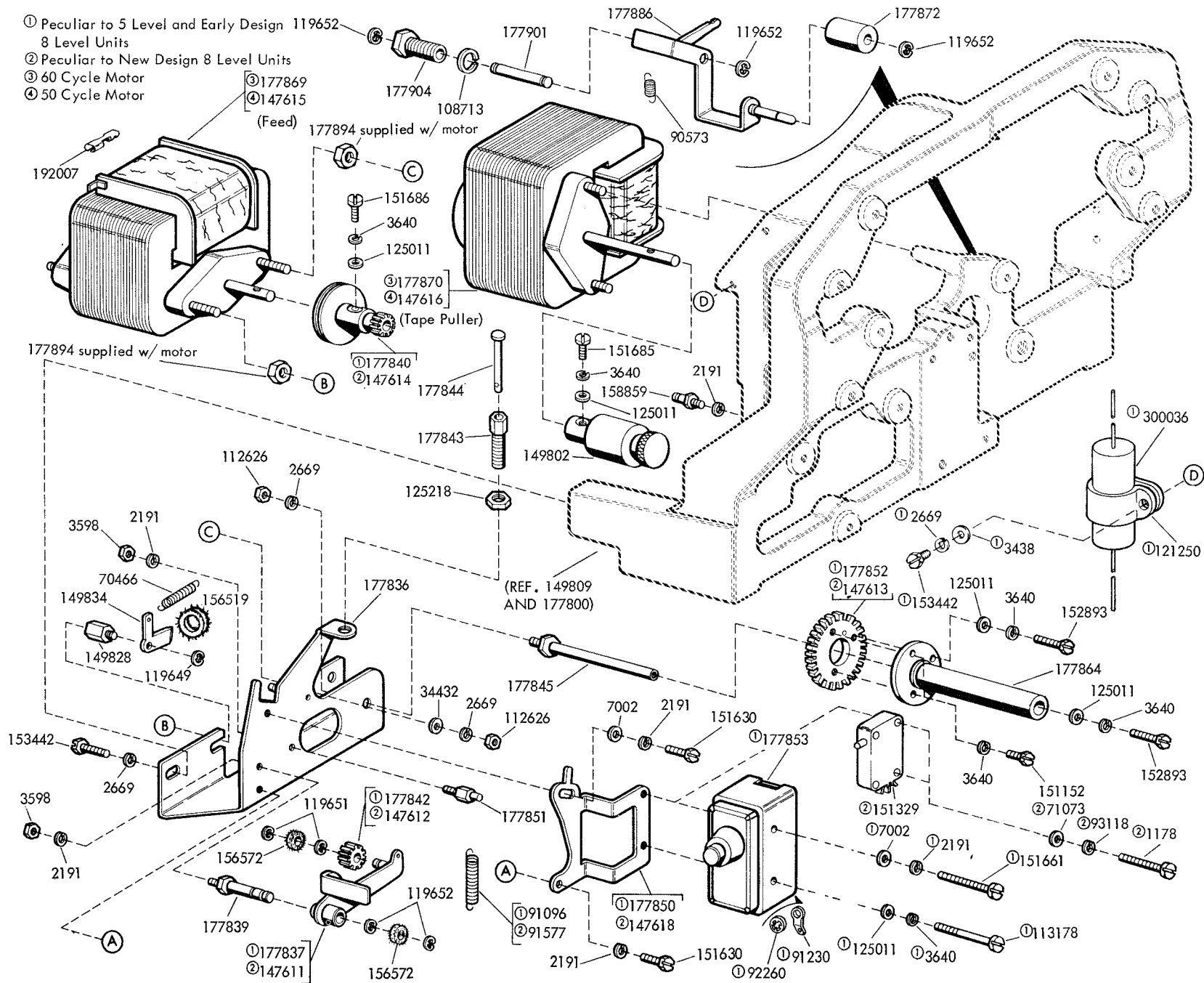


FIGURE 6. FEED DRIVE MECHANISM

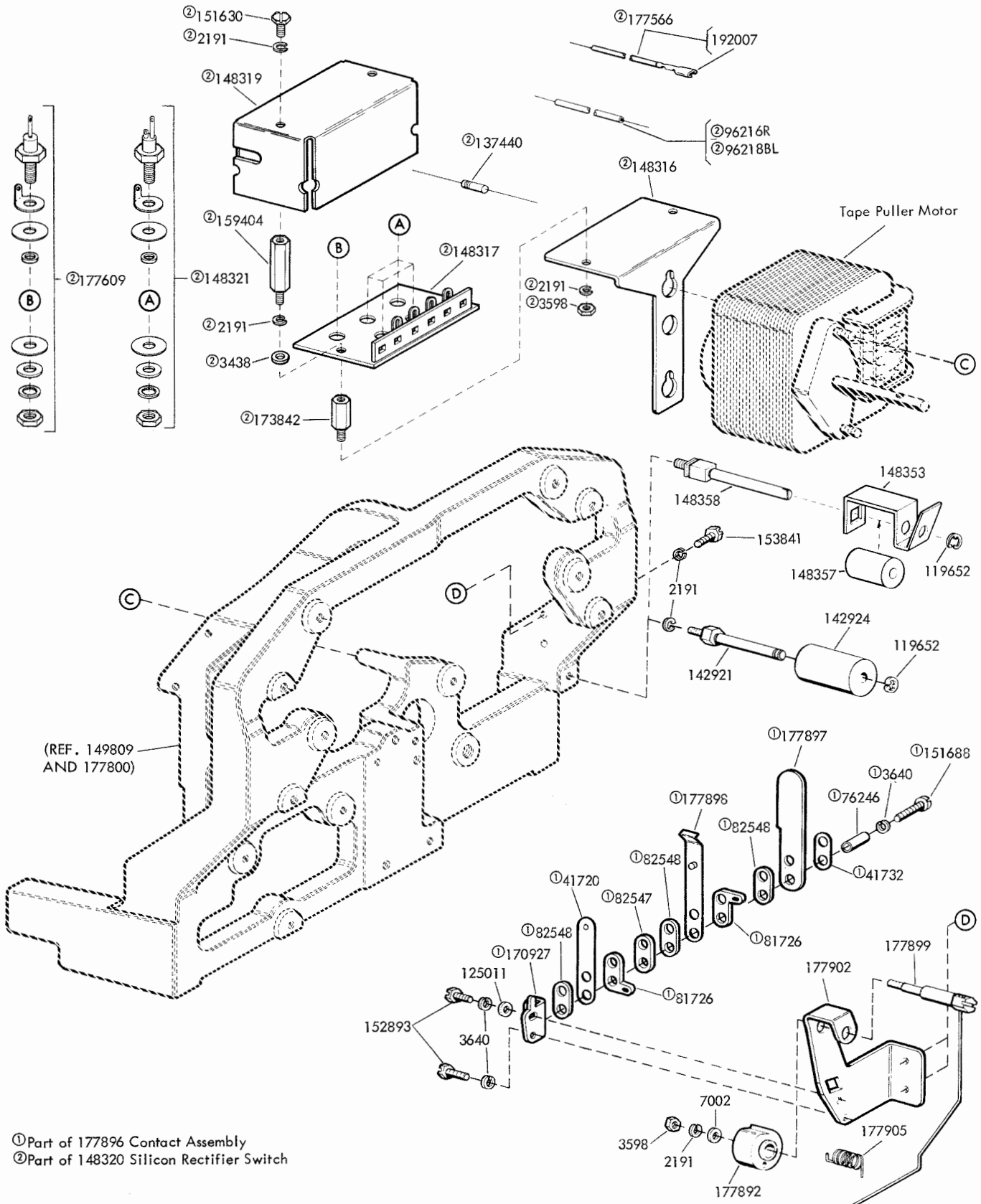


FIGURE 7. ELECTRICAL COMPONENTS

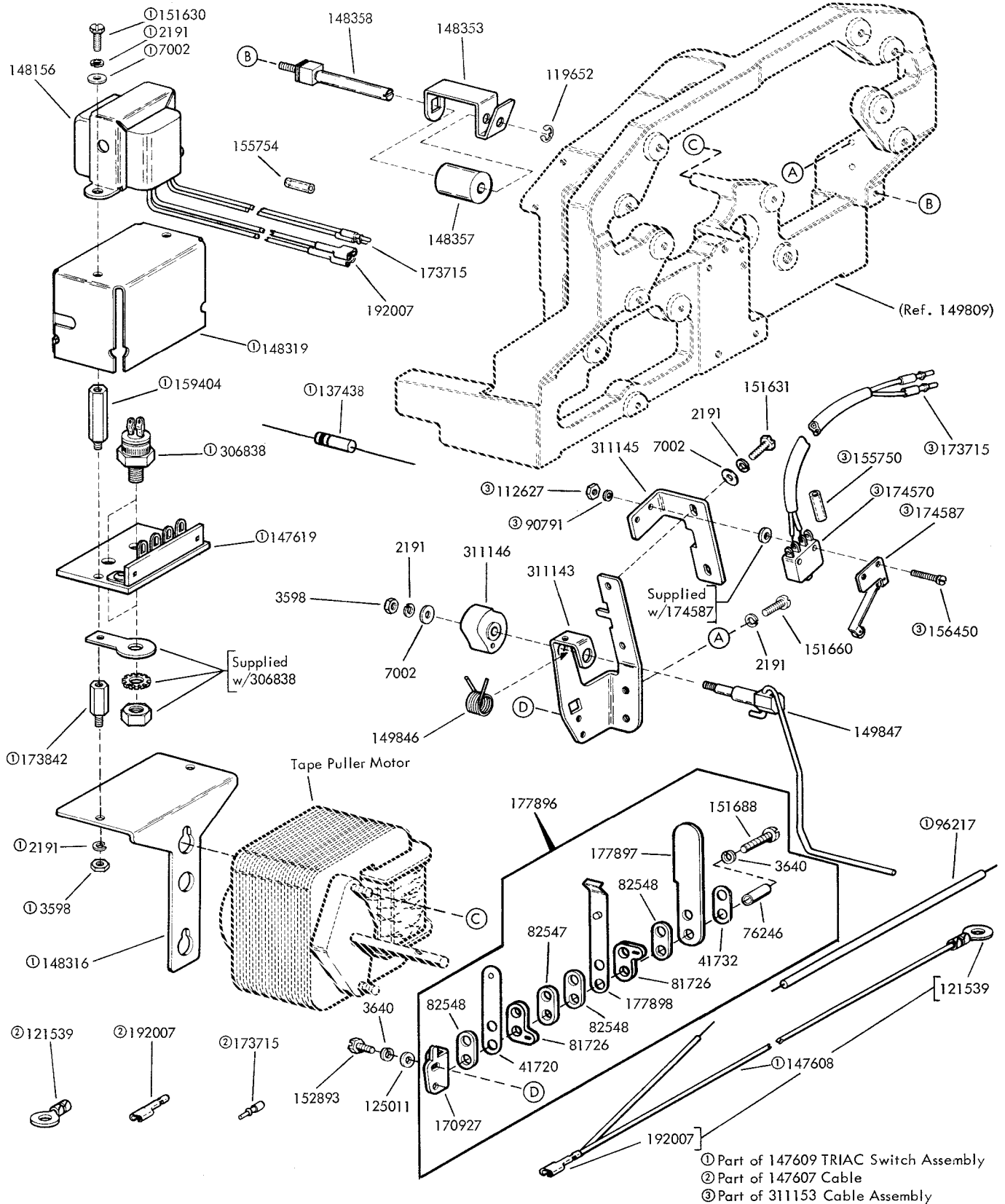


FIGURE 8. ELECTRICAL COMPONENTS

NUMERICAL INDEX

Part Number	Description and Page Number	Part Number	Description and Page Number	Part Number	Description and Page Number
273M	Coil, Magnet 2, 3	137440	Resistor (1,000 Ohm) 8	149810	Link (#0, #3, and #7) 6
283M	Coil, Magnet 5	142379	Pin, Roll 3, 5	149811	Link(Feed Pin) 6
1030	Screw, Shoulder (6-40) 4, 6	142921	Stud 8	149812	Link (#1 and #4) 6
1164	Screw (2-56 x 3/16 Fil) 4, 6	142924	Roller 8	149813	Link (#2 and #5) 6
1178	Screw (2-56 x 7/16 Fil) 7	143097	Ring, Retaining 6	149814	Link (#6) 6
2191	Washer, Lock 2 to 9	143816	Plug, Tip 8	149815	Reed (0) 5
2669	Washer, Lock 4, 6, 7	145914	Connector, Plug (25 Pt) 2, 3	149816	Reed, Left 5
3438	Washer, Flat 7, 8	146542	Post Assembly 2, 3, 5	149818	Damper, Link 5
3598	Nut (6-40 Hex) 4, 6, 7, 8, 9	147570	Block Asm, Punch 6	149820	Plate, Feed Wheel 6
3606	Nut (6-40 Hex) 5	147574	Guide, Tape 6	149822	Magnet Assembly, Right 5
3624	Washer, Flat 6	147576	Cable Asm 5	149823	Magnet Assembly, Left 5
3639	Washer, Lock 2, 3, 5	147582	Stop, Bias Spring 6	149824	Magnet Assembly (0) 5
3640	Washer, Lock 3 to 9	147591	Guide, Tape 6	149825	Cable Assembly 5
5740	Screw (2-56 x 1/4 Fil) 6	147592	Guide, Tape 6	149828	Post, Pawl 7
7001	Washer, Flat 5	147594	Cable Asm 6	149833	Spring, Drive 6
7002	Washer, Flat 2 to 9	147605	Bracket, Connector 3	149834	Pawl, Brake 7
34432	Washer, Flat 2 to 7	147606	Cable Asm 3, 5	149837	Damper, Link 5
41720	Spring, Contact 8, 9	147607	Cable w/Terminals 9	149838	Roller 6
41732	Plate, Clamp 8, 9	147608	Jumper (7" Blue) 9	149839	Stud, Roller 6
47024	Washer, Flat 6	147609	Switch Asm, Triac 9	149841	Guide, Tape 6
70466	Spring 7	147611	Lever w/Hub 7	149844	Reed, Right 5
71073	Washer, Flat 7	147612	Pinion (20T) 7	149846	Spring, Torsion 9
72508	Screw (6-40 x 3/4 Hex) 5	147613	Gear (60T) 7	149847	Arm, Tape Sensing 9
72509	Washer, Lock 2, 3, 5	147614	Pinion (20T) 7	149871	Screw, Shoulder (2-56) 6
73844	Washer, Flat 6	147615	Motor, 115V AC Shaded Pole 2710 RPM 7	150456	Spacer (.050" Thk) 3
74805	Screw (10-32 x 3/4 Hex) 2,3,4	147616	Motor, 115V AC Shaded Pole 2710 RPM 7	150821	Spacer (.156" Thk) 6
76099	Washer, Flat 6	147618	Plate, Adjusting 7	151152	Screw (4-40 x 3/16 Hex) 4, 6
76246	Bushing, Insulating 8, 9	147619	Plate w/Terminal Strip 9	151329	Switch, Sensitive 7
81726	Terminal 8, 9	147877	Terminal, Receptacle Type 5	151626	Terminal 2, 3
82474	Terminal 5	147879	Retainer w/Plate 6	151630	Screw (6-40 x 1/4 Hex) 2 to 9
82547	Insulator (.094" Thk) 8,9	148156	Cable Asm 9	151631	Screw (6-40 x 5/16 Hex) 4, 5, 6, 9
82548	Insulator (.062" Thk) 8,9	148316	Bracket 9	151632	Screw (6-40 x 3/8 Hex) 4, 6
85422	Screw (10-32 x 15/16 Hex) 2, 3, 5	148317	Plate, Mounting 8	151660	Screw (6-40 x 7/8 Fil) 9
90519	Screw (2-56 x 3/16 Hex) 6	148319	Cover 8, 9	151661	Screw (6-40 x 1 Fil) 7
90573	Spring 7	148320	Switch, Silicone Rectifier 8	151685	Screw (4-40 x 5/16 Fil) 7
90791	Washer, Lock 6, 9	148321	Rectifier 8	151686	Screw (4-40 x 3/8 Fil) 7
91096	Spring 7	148348	Spring, Torsion 6	151688	Screw (4-40 x 5/8 Fil) 8, 9
91230	Terminal 7	148349	Spring, Bias 6	151721	Screw (6-40 x 3/4 Hex) 2, 3
91577	Spring 7	148350	Block Assembly, Punch 6	151723	Screw (10-32 x 3/8 Hex) 4
92260	Washer, Lock 7	148351	Spring, Torsion 6	151736	Spring 6
93117	Washer, Lock 6	148352	Lever 6	152893	Screw (4-40 x 1/4 Hex) 6 to 9
93118	Washer, Lock 6, 7	148353	Guide, Tape 8, 9	153342	Screw (6-40 x 15/16 Hex) 4, 6
94712	Washer, Flat 6	148355	Bracket w/Hub 6	153442	Screw (10-32 x 1/2 Hex) 4, 6, 7
96216R	Jumper (6" Red) 8	148356	Bracket w/Post 6	153539	Screw (6-40 x 11/16 Hex) 2, 3, 6
96217R	Jumper (6-1/2" Red) 9	148357	Roller 8, 9	153817	Screw (4-40 x 3/8 Hex) 3, 5
96218BL	Jumper (7" Blue) 8	148358	Post 8, 9	153841	Screw (6-40 x 9/16 Hex) 8
102999	Screw (2-56 x 5/32 Fil) 6	148363	Post, Spring 6	154335	Screw (6-40 x 9/32 Fil) 6
103323	Washer, Flat 6	148757	Block Assembly, Punch 4	155750	Sleeve, Insulating (3/32 ID x 1/2" Lg) 9
108713	Washer, Lock 7	148761	Magnet Assembly, "O" 3	155752	Sleeve, Insulating (5/64 ID x 1/2" Lg) 2, 3, 5
110743	Washer, Lock 6	148763	Bumper, Rubber 3, 5	155754	Sleeve, Insulating (1/16 ID x 1/2" Lg) 9
112626	Nut (10-32 Hex) 7	148764	Plate, Bumper 3, 5	156057	Washer, Flat 6
112627	Nut (3-48 Sq) 6, 9	148765	Reed 3	156450	Screw (2-56 x 1/2 Fil) 6, 9
113178	Screw (4-40 x 1 Fil) 7	148766	Core, Right 3, 5	156519	Washer, Felt 4, 6, 7
119648	Ring, Retaining 6	148767	Core, Left 3, 5	156536	Screw (4-40 x 1/8 Fil) 6
119649	Ring, Retaining 4, 6, 7	148768	Magnet Assembly (#1, Feed, #5, #7) 3	156572	Washer, Felt 7
119651	Ring, Retaining 4, 6, 7	148769	Magnet Assembly (#2, #3, #4, #6) 3	158588	Post 6
119652	Ring, Retaining 4, 6, 7, 8, 9	149800	Wheel, Feed 6	158859	Post, Spring 7
120870	Wick, Felt 4, 6	149801	Screw, Adjusting (6-40) 6	159404	Post 8, 9
121250	Clamp, Cable (3/4 ID) 7	149806	Roller, Drive 7	159610	Mount, Vibration 4
121539	Terminal 9	149807	Plate, Rear 5	161346	Washer, Felt 4, 6
122136	Spacer (.040" Thk) 6	149808	Post, Adjusting 5	170927	Bracket, Contact
124177	Washer, Lock 6	149809	Bracket, Connector 5	8	
125011	Washer, Flat 3 to 9		Frame 5		
125218	Nut (1/4-32 Hex) 7				
128002	Screw (2-56 x 3/16 Fil) 6				
137438	Resistor (100 Ohm) 9				

NUMERICAL INDEX (Continued)

Part Number	Description and Page Number	Part Number	Description and Page Number	Part Number	Description and Page Number
173579	Connector, Plug Type (50 Pt) 5	177822	Core, Left 2	177884	Guide, Tape (11/16" Tape) 4
173715	Terminal, Plug Type 2, 3, 5, 6, 9	177832	Block Assembly, Punch 4	177886	Bail w/Stud 7
173842	Stud 8,9	177836	Bracket w/Post 7	177892	Cam 8
174570	Switch 6, 9	177837	Lever w/Hub 7	177896	Contact Assembly 8, 9
174587	Actuator, Switch 6, 9	177839	Post 7	177897	Guard, Contact 8, 9
177566	Jumper (6" Black) 8	177840	Pinion (18T) 7	177898	Spring, Contact 8, 9
177609	Rectifier 8	177842	Pinion (18T) 7	177899	Arm, Tape Sensing 8
177795	Guide, Tape (1" Tape) 4	177843	Screw, Adjusting (1/4-32) 7	177901	Shaft 7
177798	Reed (#0) 3	177844	Post, Spring 7	177902	Bracket, Contact 8
177799	Bracket, Connector 2, 3	177845	Shaft, Drive 7	177904	Bushing 7
177800	Frame 2	177847	Spring, Drive 4	177905	Spring, Torsion 8
177801	Reed 2	177850	Plate, Adjusting 7	177906	Chute, Chad 4, 6
177802	Bracket, Right 2, 3, 5	177851	Post 7	177908	Cable Assembly 2, 3
177803	Bracket, Left 2, 3, 5	177852	Gear (66T) 7	177911	Spring, Torsion 4, 6
177804	Magnet Assembly, Right 2	177853	Switch, Micro 7	182726	Terminal, Receptacle Type 2, 3
177805	Magnet Assembly, Left 2	177854	Plate, Mounting 4	190494	Plate, Right Base 4
177807	Post, Lower Guide 4, 6	177856	Post, Eccentric 4, 6	190500	Plate, Left Base 4
177808	Post, Upper Guide 4, 6	177857	Plate 4, 6	192007	Terminal, Tab Type 2,3,7 8, 9
177809	Bracket, Guide 4, 6	177859	Plate, Rear Mounting 4	195187	Screw (4-40 x 1-1/2 Hex) 6
177810	Link (#0, #3 and #7) 4	177861	Wheel, Feed 4	300728	Post 6
177811	Link (Feed Pin) 4	177863	Screw, Adjusting (6-40) 4	306838	Triac 9
177812	Link (#1 and #4) 4	177864	Sleeve 7	308397	Bracket w/Stud 6
177813	Link (#2 and #5) 4	177865	Guide, Tape 4, 6	308399	Ratchet w/Spring 4, 6
177814	Link (#6) 4	177869	Motor, 115V, AC 7	311143	Bracket, Contact 9
177815	Pawl, Escapement 4, 6	177870	Motor, 115V, AC 7	311145	Bracket, Switch 9
177818	Plate, Clamp 2, 3, 5	177872	Roller 7	311146	Cam 9
177819	Bushing, Eccentric 2, 3, 5	177874	Bushing, Eccentric 2, 3, 5	311153	Cable Asm 9
177821	Core, Right 2	177875	Clip, Spring 2, 3, 5	315502	Bushing 6
		177878	Bushing, Eccentric 4, 6	315503	Plate 6
		177883	Nut, Spring Anchor 4, 6		

