

HIGH SPEED TAPE READER (DX)
PARTS

FIGURE	CONTENTS	PAGE
1	Base and Components	2
2	318675 Reading Head Assembly	3
3	318601 and 318736 Stepper Block Assemblies	4
4	318700 Block Counter Assembly	5
5	318634 Hysteresis Clutch Assembly	6
6	318685 Top Plate Assembly	7
7	Motor	7
	Numerical Index	8

Note:

When ordering parts from this section
prefix each number with the letters TP.

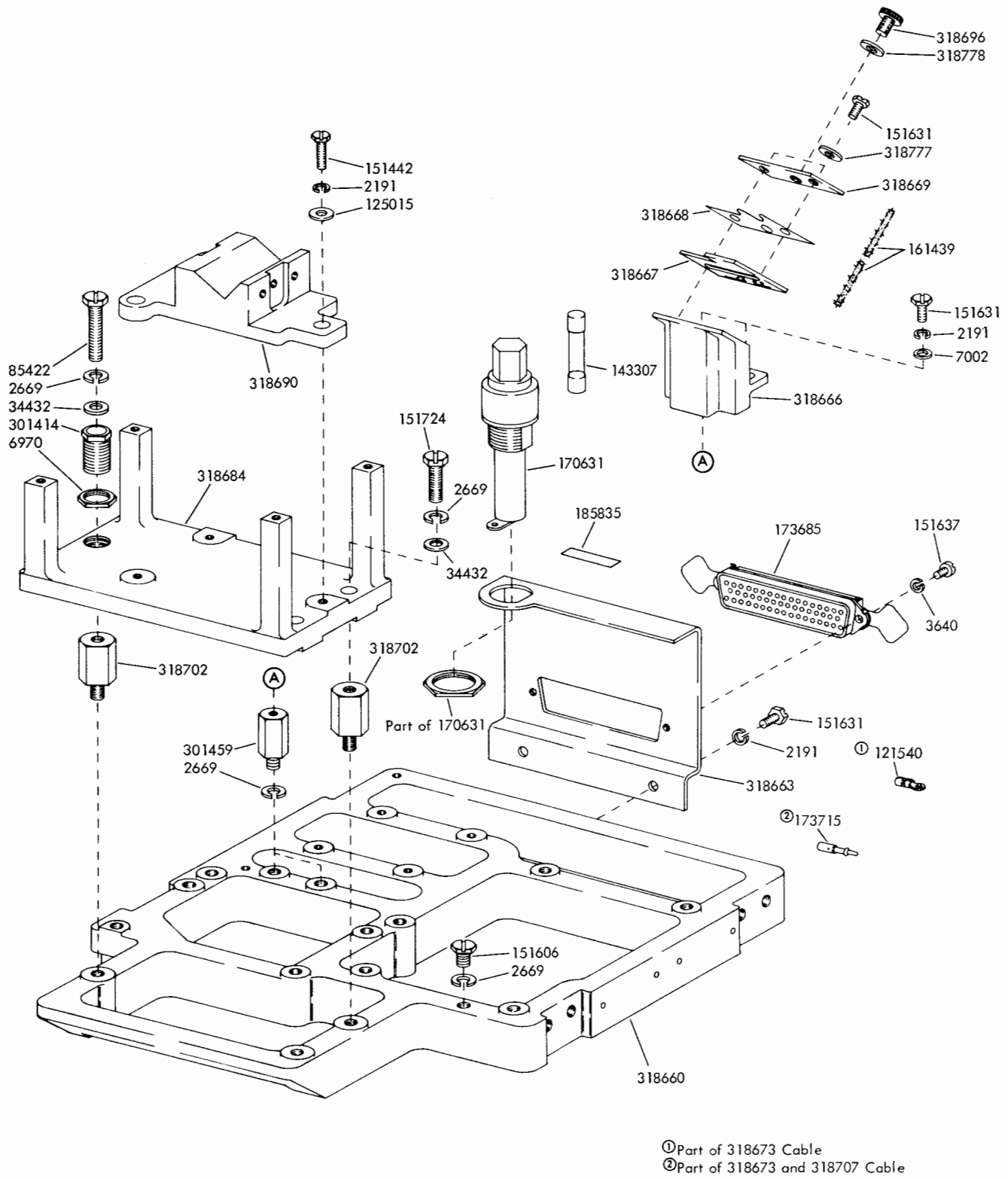


FIGURE 1. BASE AND COMPONENTS

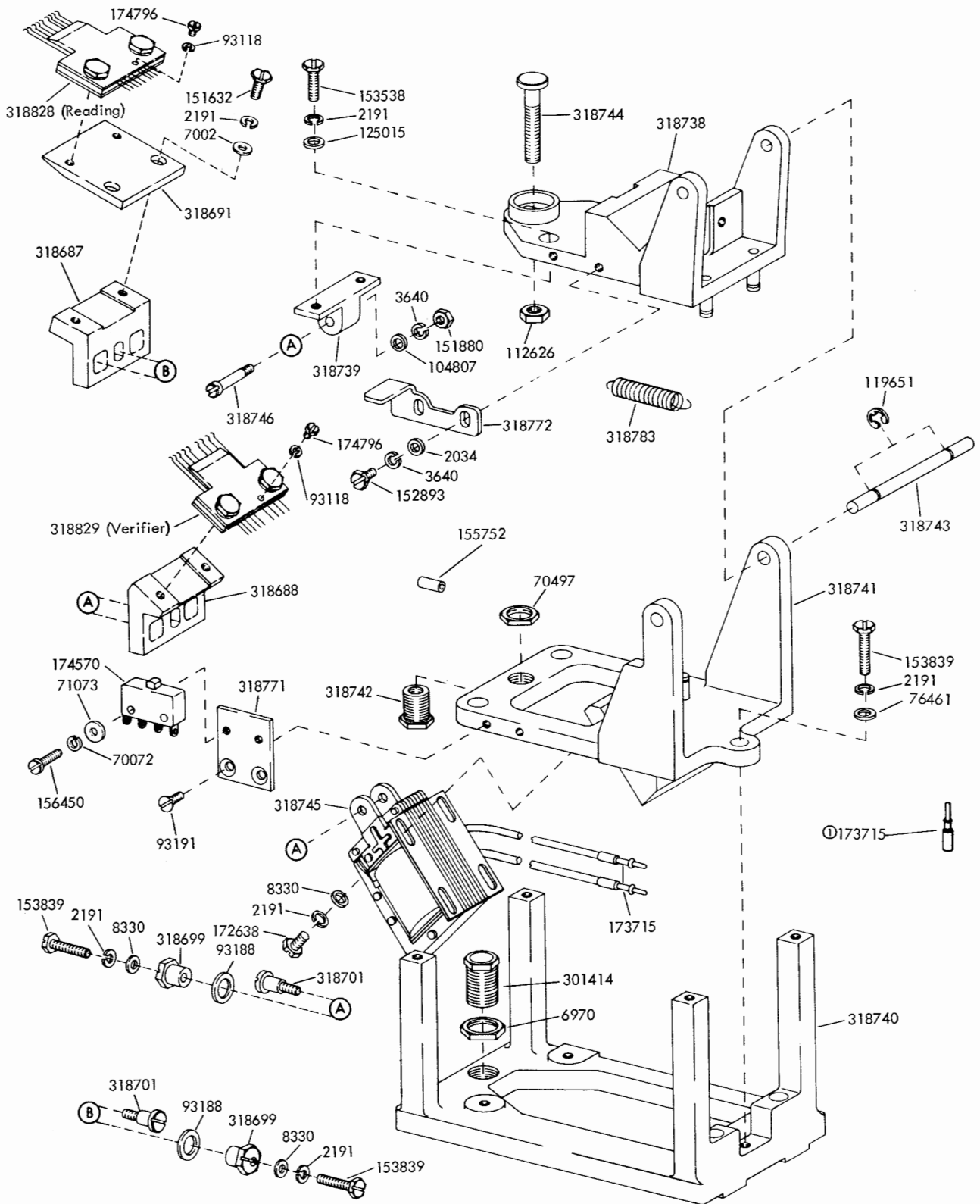


FIGURE 2. 318675 READING HEAD ASSEMBLY

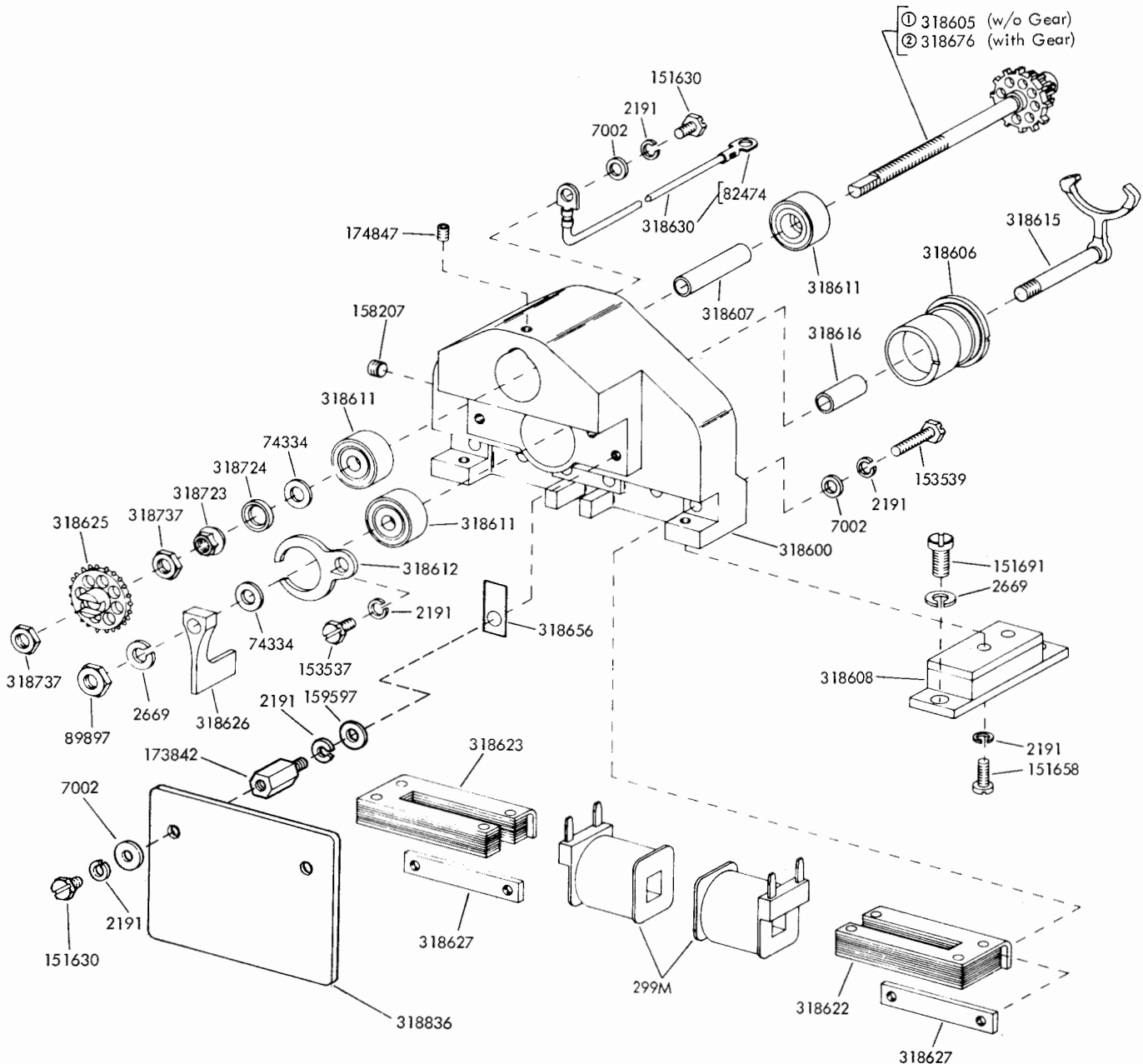


FIGURE 3. 318601 AND 318736 STEPPER BLOCK ASSEMBLIES

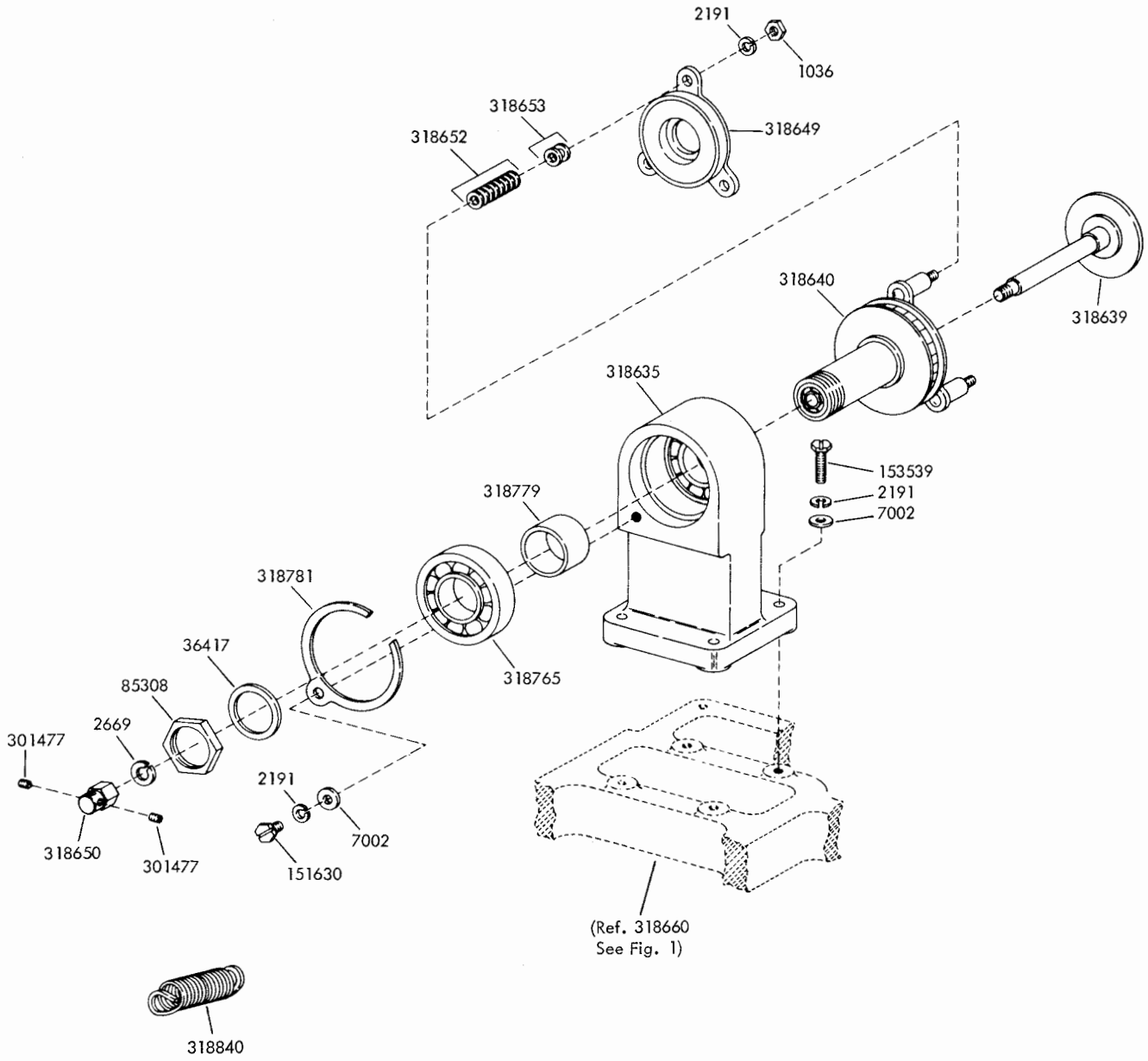


FIGURE 5. 318634 HYSTERESIS CLUTCH ASSEMBLY

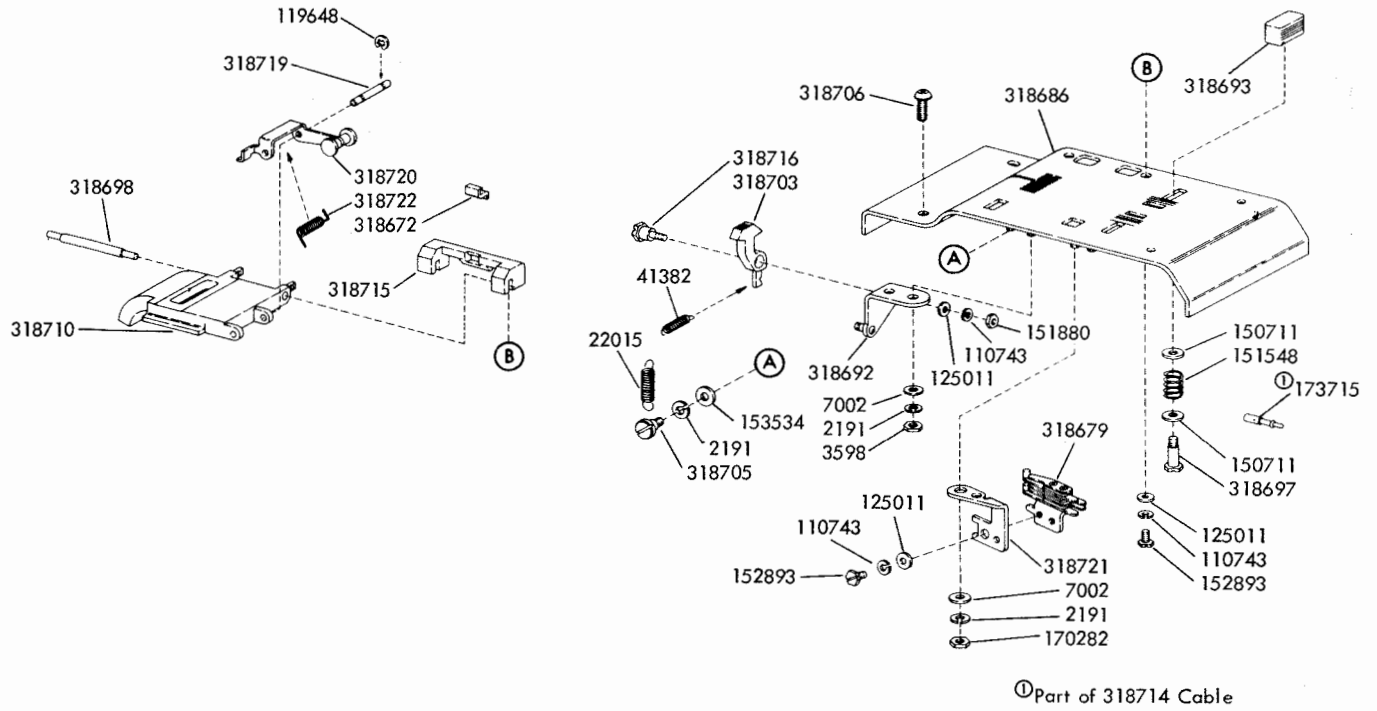


FIGURE 6. 318685 TOP PLATE ASSEMBLY

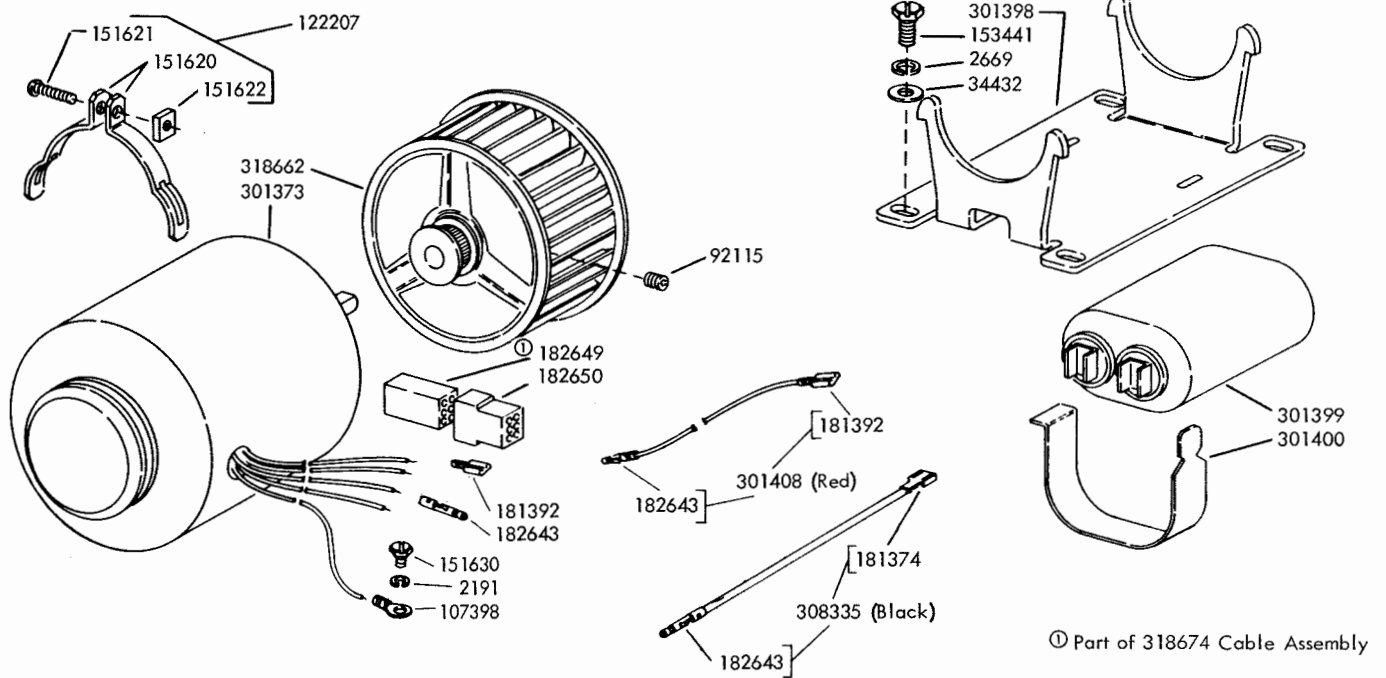


FIGURE 7. MOTOR

NUMERICAL INDEX

Part Number	Description and Page Number	Part Number	Description and Page Number	Part Number	Description and Page Number
299M	Coil, Magnet 4	158207	Screw, 10-32 Set 4	318684	Frame 2
1036	Nut, 6-40 Hex 6	159597	Washer, Flat 4	318685	Plate Assembly, Top 1, 7
2034	Washer, Flat 3	161439	Wick, Felt 2	318686	Plate w/Studs, Top 7
2191	Washer, Lock 2, 3, 4, 5, 6, 7	170282	Nut, 6-40 Hex 7	318687	Pedestal, Rear 3
2669	Washer, Lock 2, 4, 5, 6, 7	170631	Holder, Fuse 2	318688	Pedestal, Front 3
3598	Nut, 6-40 Hex 5, 7	172638	Screw, 6-40 x 9/32 Hex 3	318690	Support, Pedestal 2
3606	Nut, 6-40 Hex 5	173685	Connector, 50 Pt Plug 2	318691	Plate, Adjusting 3
3640	Washer, Lock 2, 3	173715	Terminal, Plug Type 3, 5	318692	Bracket w/Post, Latch 7
6970	Nut, 3/8-32 Hex 2, 3	173842	Stud 4	318693	Guide, Tape 7
7001	Washer, Flat 5	173715	Terminal, Plug Type 2, 3, 7	318696	Screw, 10-32 Thumb 2
7002	Washer, Flat 2, 3, 4, 5, 6, 7	174570	Switch 3	318697	Screw, 6-40 Shoulder 7
8330	Washer, Flat 3	174796	Screw, 2-56 x 5/64 Fil 3, 5	318698	Shaft, Tape Lid 7
22015	Spring 7	174847	Screw, 6-40 Set 4	318699	Bushing, Eccentric 3
34432	Washer, Flat 2, 5, 7	181374	Terminal, Tab Type 7	318700	Counter Assembly, Block 1, 5
36417	Washer, Flat 6	181392	Terminal, Tab Type 7	318701	Screw, 6-40 Shoulder 3
41382	Spring 7	182643	Terminal, Plug Type 7	318702	Post 2
70072	Washer, Lock 3	182649	Connector, 6 Pt Receptacle Type 7	318703	Latch, Tape Lid 7
70497	Nut, 5/16-32 Hex 3	182650	Connector, 6 Pt Plug Type 7	318705	Screw, 6-40 Shoulder 7
71073	Washer, Flat 3	185835	Plate, Identification 2	318706	Screw, 6-40 Spl 7
74334	Washer, Flat 4	301373	Motor, 115V 60 Cycle 7	318707	Cable w/Terminals 2
74805	Screw, 10-32 x 3/4 Hex 5	301398	Bracket, Motor 7	318710	Lid w/Pins, Tape 7
76461	Washer, Flat 3	301399	Capacitor, 5 MFD 7	318714	Cable w/Terminals 7
79894	Screw, 10-32 Set 5	301400	Bracket, Capacitor 7	318715	Housing, Tape Lid 7
82249	Washer, Flat 5	301408	Jumper, 6" Red 7	318716	Screw, 4-40 Eccentric Shoulder 7
82474	Terminal 4	301414	Bushing 2, 3		
85308	Nut, 5/8-32 Hex 6	301459	Stud 2	318719	Shaft 7
85422	Screw, 10-32 x 15/16 Hex 2	301477	Screw, 4-40 Set 6	318720	Bail 7
89897	Nut, 10-32 Hex 4, 5	308335	Jumper, 5" Black 7	318721	Bracket 7
92115	Screw, 8-32 Set 7	318600	Block, Stepper 4	318722	Spring, Torsion 7
93118	Washer, Lock 3, 5	318601	Block Assembly, Stepper 1, 4	318723	Nut, 10-32 Spl (L.H. Thread) 4
93188	Washer, Flat 3	318605	Shaft, Escapement 4		
93191	Screw, 4-40 x 5/16 Flat 3	318606	Bushing, Eccentric 4	318724	Ring 4
104807	Washer, Flat 3	318607	Sleeve, Escapement 4	318736	Block Assembly, Stepper 1, 4
107398	Terminal 7	318608	Strap, Mounting 4	318737	Nut, 10-32 Hex 4
110743	Washer, Lock 5, 7	318611	Bearing, Ball 4	318738	Support w/Bushings, Pivoted Pedestal 3
112626	Nut, 10-32 Hex 3	318612	Clamp, Bearing 4		
117535	Washer, Flat 5	318615	Pallet, Escapement 4	318739	Bracket 3
119648	Ring, Retaining 7	318616	Sleeve, Pallet 4	318740	Frame 3
119651	Ring, Retaining 3	318622	Core, Right Magnet 4	318741	Frame, Support 3
121540	Terminal w/Insulator 2, 5	318623	Core, Left Magnet 4	318742	Bushing 3
122207	Strap Assembly 7	318625	Wheel, Feed 4	318743	Shaft 3
125011	Washer, Flat 7	318626	Armature 4	318744	Screw, 10-32 Adjusting 3
125015	Washer, Flat 2, 3	318627	Plate, Nut 4	318745	Solenoid 3
143307	Fuse, .6 Amp 2	318630	Jumper, 6-1/8" Braided 4	318746	Shaft, Solenoid 3
150711	Washer, Flat 7	318634	Clutch Assembly, Hysteresis 1, 6	318748	Sleeve w/Bearing, Eccentric 5
151442	Screw, 6-40 x 1/2 Hex 2	318635	Housing, Clutch 6	318749	Shaft w/Gear 5
151548	Spring, Compression 7	318639	Shaft w/Follower Magnet 6	318750	Block w/Ball Bearing 5
151606	Screw, 10-32 x 1/4 Hex 2	318640	Hub, Clutch 6	318751	Spacer 5
151620	Strap, Motor Mounting 7	318649	Plate w/Driver Magnet 6	318752	Retainer, Bearing 5
151621	Screw, 6-32 x 3/4 Rd 7	318650	Coupler 6	318753	Cam 5
151622	Nut, 6-32 Sq 7	318652	Shim 6	318754	Shaft w/Gears 5
151630	Screw, 6-40 x 1/4 Hex 4, 5, 6, 7	318653	Spacer 6	318755	Cam 5
151631	Screw, 6-40 x 5/16 Hex 2, 5	318655	Bearing, Ball 5	318756	Plate w/Contact 5
151632	Screw, 6-40 x 3/8 Hex 3	318656	Clamp, Cable 4	318757	Contact, Spring 5
151637	Screw, 4-40 x 1/4 Fil 2	318660	Base 2, 6	318758	Bushing, Insulating 5
151658	Screw, 6-40 x 5/16 Fil 4	318662	Fan w/Pulley 7	318759	Bracket, Contact 5
151691	Screw, 10-32 x 3/8 Fil 4	318663	Bracket, Connector 2	318760	Contact, Spring 5
151724	Screw, 10-32 x 5/8 Hex 2	318666	Reservoir, Oil 2	318761	Plate 5
151880	Nut, 4-40 Hex 3, 7	318667	Wick, Leather 2	318762	Bracket, Contact 5
152893	Screw, 4-40 x 1/4 Hex 3, 7	318668	Stiffener 2	318763	Stud 5
153441	Screw, 10-32 x 7/16 Hex 7	318669	Plate 2	318764	Nut, 10-32 Hex 5
153534	Washer, Flat 7	318672	Stop, Tape Lid 7	318765	Bearing, Ball 6
153537	Screw, 6-40 x 9/32 Hex 4	318673	Cable w/Terminals 2	318771	Plate, Switch 3
153538	Screw, 6-40 x 7/16 Hex 3	318674	Cable Assembly 7	318772	Bracket 3
153839	Screw, 6-40 x 5/8 Hex 3, 4, 6	318675	Head Assembly, Reading 1, 3	318777	Washer, .365" OD Sealing 2
155752	Sleeve, 5/64 ID x 1/2 Lg Insulating 3	318676	Shaft, Escapement 4	318778	Washer, .437" OD Sealing 2
156450	Screw, 2-56 x 1/2 Fil 3	318679	Contact Assembly 7	318779	Sleeve 6

NUMERICAL INDEX

Part Number	Description and Page Number	Part Number	Description and Page Number	Part Number	Description and Page Number
318780	Cover 5	318787	Screw, 6-40 Shoulder 5	318828	Contact Assembly, Code Reading 3
318781	Bearing, Retainer 6	318793	Plate w/Contact 5	318829	Contact Assembly, Verifing 3
318783	Spring 3	318795	Cable w/Terminals 3	318836	Cover 4
318786	Screw, 4-40 Shoulder 5	318796	Cable w/Terminals 5	318840	Spring 6

