

## **261M COIL, MAGNET ASSEMBLY**

*APPARATUS AFFECTED:* Type 1A and 2B Receiver, Type 1A and 2A Tape Sender — DATASPEED.

*OBJECT:* To facilitate manufacture and eliminate coil lead breakage.

*CHANGE:* Coil wire size has been changed from a 36 CBE to a 37 CBE size and the number of coil turns reduced from 6000 to 2000 turns. The DC resistance has also been reduced from 850 ohms to 85 ohms.

The coil leads, terminals and the end of the cable shielding are potted in a "black" epoxy resin strain relief molding.

*IDENTIFICATION:* New style coils have a "black" strain relief molding. Old style coils have a "green" strain relief molding.

*INTERCHANGEABILITY:* Old style and new style coils are interchangeable.

*CLASSIFICATION FOR APPARATUS FURNISHED BY TELETYPE:* This change is now in effect.

*W.E.CO. STOCK OF OLD STYLE PARTS:* May be furnished.

*APPLICATION TO APPARATUS IN THE FIELD:* Old style parts giving satisfactory service need not be replaced.

*APPLICATION AT W.E.CO. DIST. HOUSE REPAIR SHOPS:* Units may be equipped with old style or new style coils.

*AVAILABILITY:* New style 261M coils are available.



## TP171748 AND TP199997 TORSION SPRINGS

*APPARATUS AFFECTED:* 1A and 2A Tape Sender, and 1A and 2A Tape Readers — DATASPEED.

*OBJECT:* To revise the design of the TP171748 tape lid torsion spring, to apply a new part number to the present TP171748 tape lid torsion spring and to clarify usage of both springs with their associated tape lids.

*CHANGE:* The TP171748 tape lid torsion spring has been replaced by the TP199997 tape lid torsion spring for use with the TP193664 tape lid on tape readers having 2-piece top plates. The new spring is identical to the present TP171748 spring and the change to the new part number is only for identification purposes. Old style springs can be stocked as a TP199997 spring.

The design of the TP171748 tape lid torsion spring has been changed and is to be used only with TP171734 tape lids on early model tape reader units having 3-piece top plates. This spring will be furnished only for maintenance orders.

The specific dimensions identifying the types of tape lid torsion springs are shown in Fig. 1. Refer to Teletype Bulletin 1176B, issue January 1963, pages 1-5 and 1-7.

*IDENTIFICATION:* See "CHANGE".

*INTERCHANGEABILITY:* Old style TP171748 springs and new style TP199997 springs are interchangeable. New style TP171748 springs and old style TP171748 springs are not interchangeable.

*CLASSIFICATION FOR APPARATUS FURNISHED BY TELETYPE:* This change is now in effect.

*W.E.CO. STOCK OF OLD STYLE PARTS:* Old style TP171748 springs may be stocked and furnished as the TP199997 spring. New style TP171748 springs shall be furnished only for use on early model tape readers having 3-piece top plates.

*W.E.CO. STOCK OF OLD STYLE PARTS:* New style TP171748 springs shall be furnished only for use on early model tape readers having 3-piece top plates.

*APPLICATION TO APPARATUS IN THE FIELD:* Old style parts giving satisfactory service need not be replaced.

*APPLICATION AT W.E.CO. DIST. HOUSE REPAIR SHOPS:* All late model tape reader units having 2-piece top plates shall be equipped with either old style TP171748 springs or the new TP199997 springs.

All early model tape reader units having 3-piece top plates shall be equipped with new style TP171748 springs.

*AVAILABILITY:* The TP199997 springs and the new style TP171748 springs are now available.

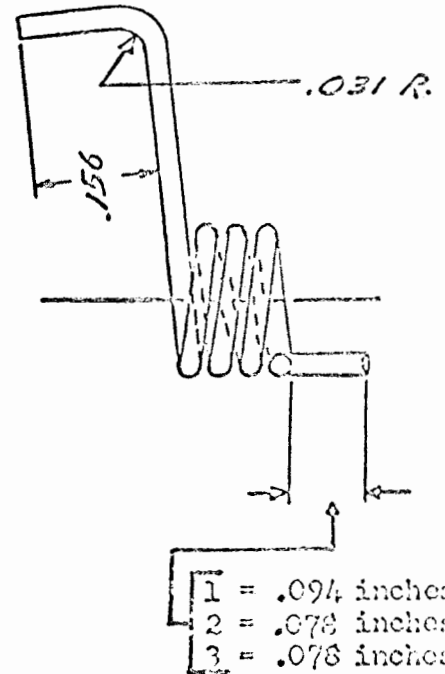
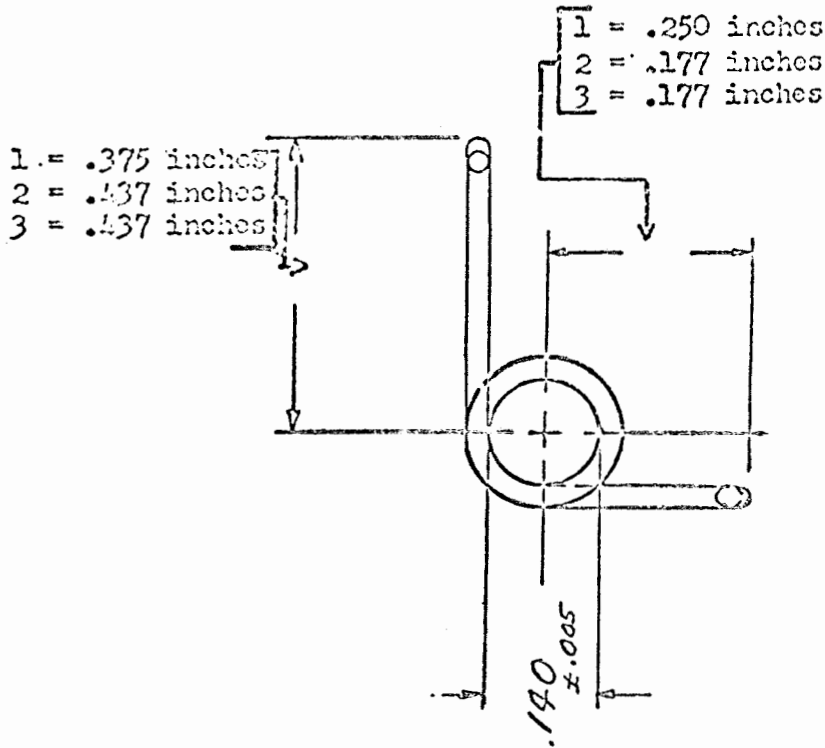
Figure 1

ALL DIMENSIONS  $\pm .015$   
UNLESS OTHERWISE SPECIFIED

*SPRING, TORSION*

1. New style 171748 Spring
2. Old style 171748 Spring
3. New style 199997 Spring

*APPROX 90° FORM  
(2-PLS)*



*APPROX.  $3\frac{1}{4}$  LEFT HAND TURNS*

## TP170516 RELAY MOUNTING BRACKET

*APPARATUS AFFECTED:* 1A and 2A Sender Cabinet — DATASPEED.

*OBJECT:* To facilitate wiring by providing additional clearance for routing of wires to the relays.

*CHANGE:* The relay mounting surface on the TP170516 bracket has been changed from a length of 2-3/16 inches to 2-7/16 inches. The formed bracket mounting sections have been changed from a length of 1/2 inch to 3/8 inch.

Refer to Teletype Bulletin 1176B, page 4-9, change 2.

*IDENTIFICATION:* See "CHANGE".

*INTERCHANGEABILITY:* New and old style TP170516 brackets are interchangeable.

*CLASSIFICATION FOR APPARATUS FURNISHED BY TELETYPE:* This change is now in effect.

*W.E.CO. STOCK OF OLD STYLE PARTS:* Old style parts may be furnished.

*APPLICATION TO APPARATUS IN THE FIELD:* Old style parts giving satisfactory service need not be replaced.

*APPLICATION AT W.E.CO. DIST. HOUSE REPAIR SHOPS:* Units may be equipped with new or old style parts.

*AVAILABILITY:* New style relay mounting brackets are now available.



## TP149792 SUPPRESSOR

*APPARATUS AFFECTED:* 1A and 2A Sender Cabinet — DATASPEED.

*OBJECT:* To eliminate a possible electrical shock hazard that can exist between the cabinet and ground due to excessive current flow through the suppressor capacitors in the event of a power cord ground lead circuit failure. To provide a filter, component of the TP146638 cable assembly, that meets the requirements of the Underwriters Laboratories and the Canadian Standards Association.

*CHANGE:* The TP151989 electrical noise suppressor of the TP146638 cable assembly has been replaced by a TP149792 electrical noise suppressor.

The TP149792 suppressor has (4) .05 MF capacitors and (2) choke coils rated at 660 MH and .34 ohms. Output cables are equipped with TP82474 (closed) terminals.

The TP151989 suppressor has (4) .5 MF capacitors and (2) choke coils rated at 330 MH and .34 ohms. Output cables are equipped with TP151626 (open) terminals.

Parts are shown in Teletype Bulletin 1154, page 4-8, change 7, and page 4-3, change 7.

*IDENTIFICATION:* New and old style have part numbers stamped on case.

*INTERCHANGEABILITY:* New style and old style are interchangeable.

*CLASSIFICATION FOR APPARATUS FURNISHED BY TELETYPE:* The change shall be incorporated as soon as manufacturing conditions permit. This is expected to be about September, 1964.

*W.E.CO. STOCK OF OLD STYLE PARTS:* Should not be furnished after new style parts become available.

*APPLICATION TO APPARATUS IN THE FIELD:* The TP146638 cable assembly containing the new style TP149792 suppressor should be incorporated in all apparatus.

*APPLICATION AT W.E.CO. DIST. HOUSE REPAIR SHOPS:* All units shall be equipped with the TP146638 cable assembly containing the new style TP149792 suppressor as soon as new style assemblies can be obtained from Teletype.

*AVAILABILITY:* It is expected that cable assemblies containing the new style suppressor will be available during September, 1964.





## TP151898 AND TP5017 SPRINGS AND THE CHAD DEPRESSOR SPRING AND TAPE WINDER SWITCH REQUIREMENTS

*APPARATUS AFFECTED:* 1A and 2A Sender Cabinets (DATASPEED).

*OBJECT:* To increase the operating margins of the chad depressor spring and the tape winder switch spring and prevent the tape from occasionally being pulled through the tape reader tape lid by the take-up reel.

*CHANGE:* 1. (a) The TP74961 spring (chad depressor arm) has been replaced by a TP151898 spring.

- (b) The TP74961 spring has about 22 turns of 0.029 inch wire and is about 1 inch (1.002) long.

The TP 151898 spring has about 20 turns of 0.031 inch wire and is about 1 inch (.988 ± .010) long.

- (c) The "*Chad Depressor Spring Requirement*" of Section 592-800-700, issue 2, page 3, paragraph 2.03, chad depressor spring (2), and Section 592-805-700, page 3, paragraph 2.05, chad depressor spring, has been changed from:

Min. 16 ozs. — Max. 20 ozs.

to

Min. 18 ozs. — Max. 28 ozs.

to lift chad depressor shoe off post.

2. (a) The TP146517 spring (tape winder arm) has been replaced by a TP5017 spring.

- (b) The TP146517 spring has about 51 turns of 0.022 inch wire and is about 1-43/64 inches (1.667 ± .031) long.

The TP5017 spring has about 70 turns of 0.020 inch wire and is about 1-3/4 inches (1.750) long.

- (c) The "*Winder Arm Spring Requirement*" of Section 592-800-700, issue 2, page 6, paragraph 2.06, winder arm spring, and Section 592-805-700, page 6, paragraph 2.08, winder arm spring, has been changed from:

Min. 4 ozs. — Max. 7 ozs.

to

Min. 8 ozs. — Max. 14 ozs.

to move tape winder arm tip against depressor lever.

3. (a) The "*Tape Winder Switch Requirement*" of Section 592-800-700, issue 2, page 4, paragraph 2.04, tape winder switch (1), and Section 592-805-700, page 4, paragraph 2.06, tape winder switch (1), has been changed from:

Min. 5 inches — Max. 5-1/2 inches

to

winder motor starts when top post on winder arm is:

Min. 5-1/2 inches — Max. 6 inches

from chad depressor post.

**SECTION 592-805-800.05**

(b) A note has been added to the tape winder switch requirement (1) as follows:

NOTE: It may be necessary to refine the 5-1/2 to 6-inch adjustment requirement within required limits if the tape arm rises high enough when approaching a full roll of tape to pull tape from the tape reader. Check that the motor starts before the winder arm reaches within 1/4 inch of stopping on the winder arm cover.

Parts are shown in Teletype Bulletin 1176B, pages 4-6, change 2, and 4-8, change 2.

*IDENTIFICATION:* See "CHANGE".

*INTERCHANGEABILITY:* New and old style springs are interchangeable.

*CLASSIFICATION FOR APPARATUS FURNISHED BY TELETYPE:* The change is in effect.

*W.E.CO. STOCK OF OLD STYLE PARTS:* TP146517 spring should not be furnished. TP74961 spring may be furnished for other applications.

*APPLICATION TO APPARATUS IN THE FIELD:* Should be incorporated in all apparatus, and all units equipped with new style springs should have the new adjustment features applied.

*APPLICATION AT W.E.CO. DIST. HOUSE REPAIR SHOPS:* All units shall be equipped with the new style springs, and all units shall have the new adjustment features applied.

*AVAILABILITY:* New style springs are available.

## TP146356 CHAD TUBE

*APPARATUS AFFECTED:* 1B Receiver Cabinet (DATASPEED).

*OBJECT:* To prevent disengagement of the chad tube from the chad blower or perforator chad chute during operation of the set.

*CHANGE:* The TP146356 chad tube (plastic) design has been changed as follows:

- (1) The overall formed length has been changed from 11-7/8 inches to 12-1/4 inches.
- (2) A flared section about 3/16 inch long has been added to the tube at the end that fits over the perforator chad chute.

Parts are shown in Teletype Bulletin 1154B, page 4-7, change 7.

*IDENTIFICATION:* New style tube has a flared section at the chad chute end.

*INTERCHANGEABILITY:* Old style and new style parts are interchangeable.

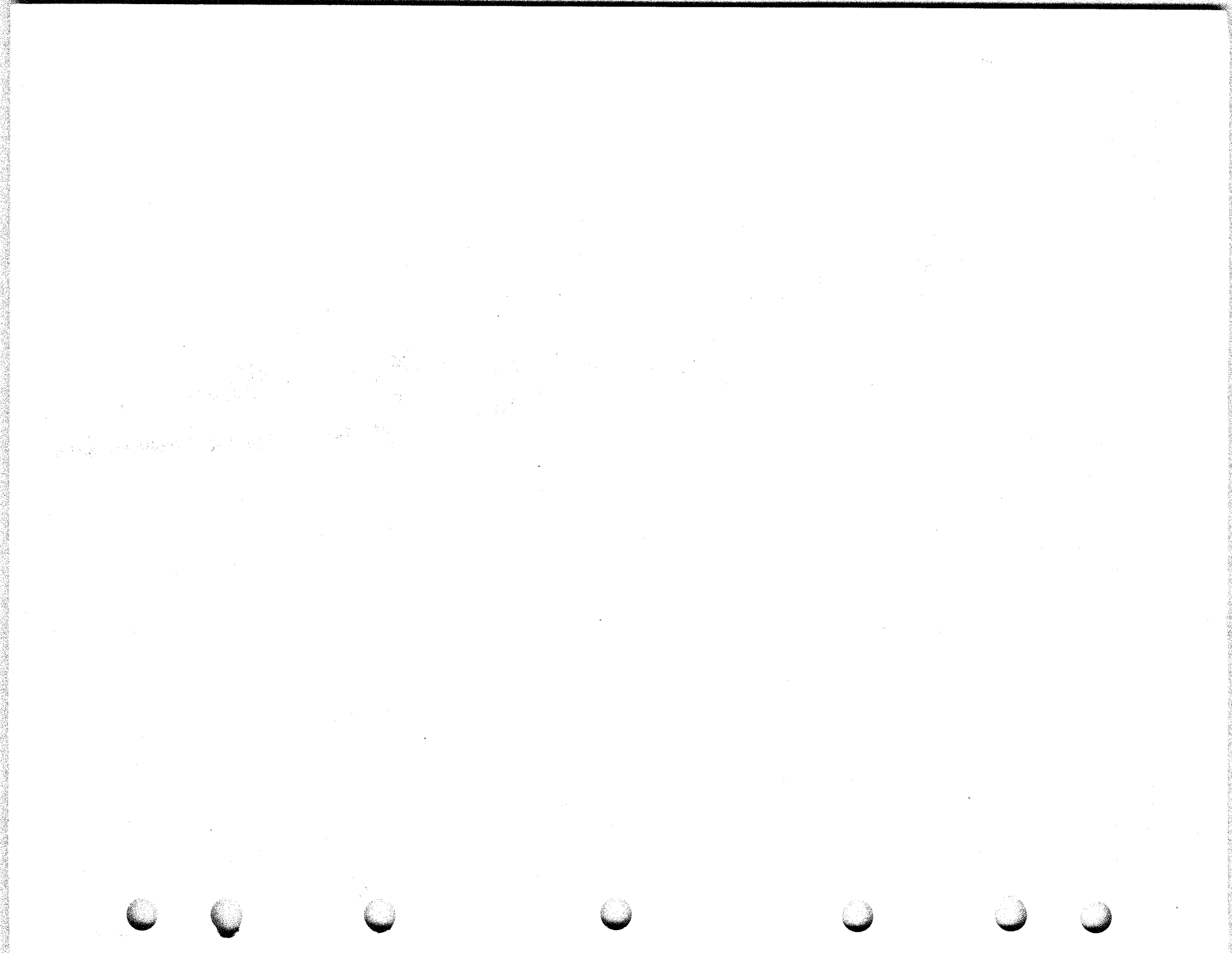
*CLASSIFICATION FOR APPARATUS FURNISHED BY TELETYPE:* The change is now in effect.

*W.E.CO. STOCK OF OLD STYLE PARTS:* May be furnished.

*APPLICATION TO APPARATUS IN THE FIELD:* Old style parts giving satisfactory service need not be replaced.

*APPLICATION AT W.E.CO. DIST. HOUSE REPAIR SHOPS:* Units may be equipped with new or old style parts.

*AVAILABILITY:* New style tubes are available.



**TP149974 MERCURY SWITCH,  
TP309512 AND TP309899 SPARK SUPPRESSION NETWORKS**

*APPARATUS AFFECTED:* 1A and 2A Sender Cabinets and 1B Receiver Cabinet—DATASPEED.

*OBJECT:* To provide a mercury switch having improved operational characteristics and an associated spark suppression network.

*CHANGE:* 1B Receiver Cabinet

The TP162958 mercury switch has been replaced by the TP149974 mercury switch.

The TP153631 spark suppression network has been replaced by the TP309899 network.

1A and 2A Sender Cabinets

The TP153631 spark suppression network has been replaced by the TP309512 network.

The TP309899 network has the part number stamped on the assembly casing. The TP309899 network consists of a .33 MF capacitor and a 4.7 ohm resistor. The TP309512 network consists of a .5 MF capacitor and an 8.0 ohm resistor.

The TP149974 switch has a diameter of .325 (21/64) inch and wire leads about 14 inches long and requires the TP309899 network.

The TP162958 switch has a diameter of .343 (11/32) inch and wire leads about 8½ inches long and requires the TP309512 network.

Parts are shown in Teletype Bulletin 1176B, page 4-6, change 2, page 4-7, change 2, and Teletype Bulletin 1154B, page 4-6, change 8.

*IDENTIFICATION:* See "CHANGE".

*INTERCHANGEABILITY:* New style and old style parts are interchangeable.

*CLASSIFICATION FOR APPARATUS FURNISHED BY TELETYPE:* The change will be incorporated when manufacturing conditions permit. This is expected to be during December, 1964.

*W.E.CO. STOCK OF OLD STYLE PARTS:* May be furnished for other applications.

*APPLICATION TO APPARATUS IN THE FIELD:* Where desired, the new style parts may be incorporated.

*APPLICATION AT W.E.CO. DIST. HOUSE REPAIR SHOPS:* All units shall be equipped with new style parts.

*AVAILABILITY:* New style parts are expected to be available during December, 1964.

