

READER, PUNCH and STATION CONTROLLER CABINETS
for
1A HIGH SPEED SELECTIVE CALLING SYSTEM
PARTS

FIGURE	CONTENTS	PAGE
1	Reader and Punch Cabinet	2
2	193169 and 193170 Control Panel Assemblies	3
3	Rear Plate Assemblies	3
4	Front Panel for Reader Cabinet	4
5	Tape Handling Mechanism for Reader Cabinet	5
6	Reader Mounting Parts	6
7	Front Panel for Punch Cabinet	7
8	Tape Feed Out Components for Punch Cabinet	8
9	Chad Blower for Punch Cabinet	8
10	Tape Handling Mechanism for Punch Cabinet	9
11	193165 Electrical Service Assembly	10
12	193182 Reader Motor Start Panel Assembly	11
13	193234 Punch Motor Start Panel Assembly	11
14	Controller Cabinet	12
15	Controller Cabinet (Continued)	13
16	193205** (Master Station) and 193215** (Outlying Station) Control Panel Assemblies	14
17	Cable Components	15
	Numerical Index	16

NOTE:

When ordering parts from this section prefix each number with the letters TP

PAINT FINISH SUFFIXES

Multi-Color Code	Color (Smooth)	Suffix
MH	Light Gray	EJ
	Maritime Deck Gray (Medium)	BJ
	Charcoal Gray (Dark)	BZ

Other colors available upon request.

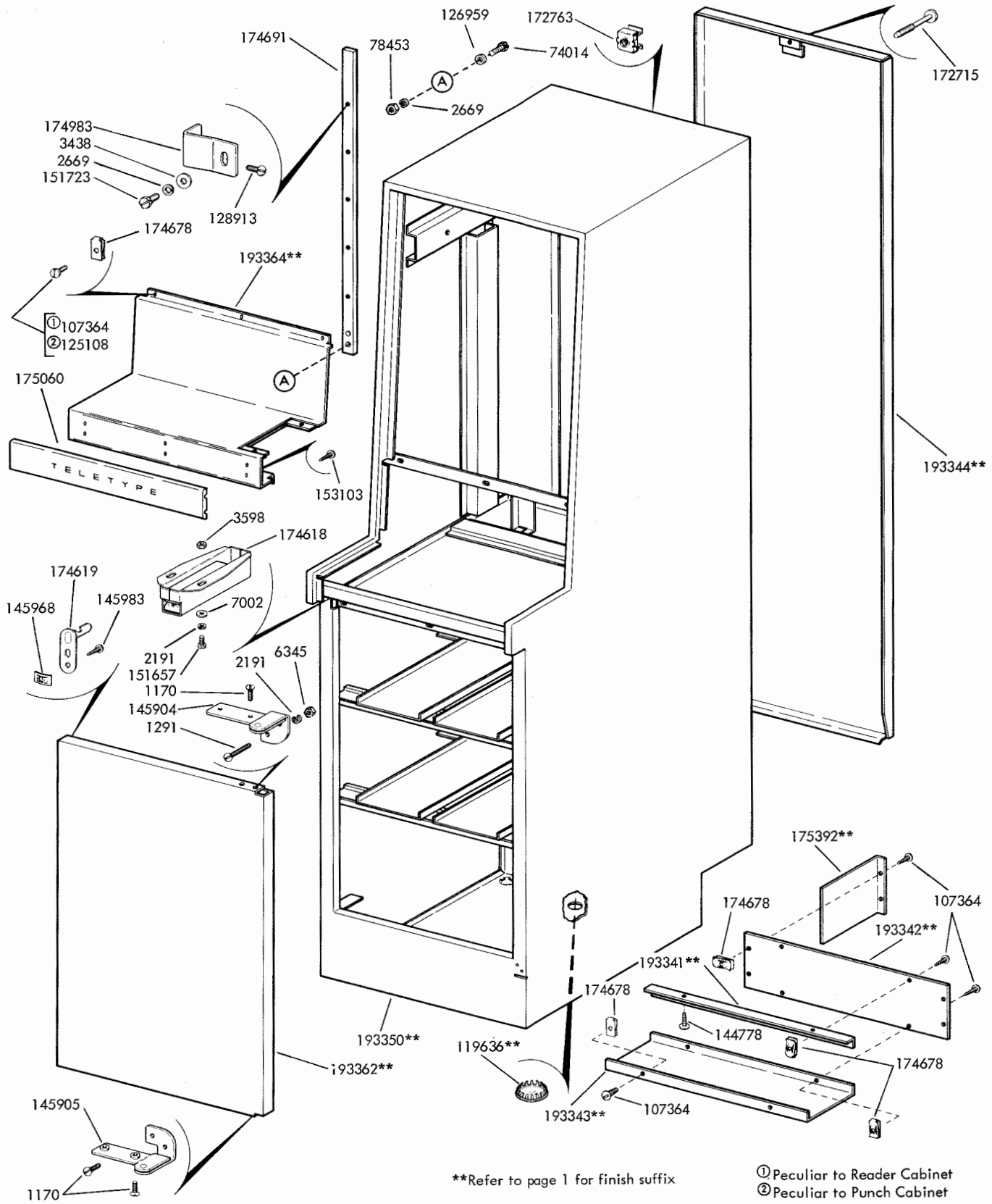


FIGURE 1. READER AND PUNCH CABINET

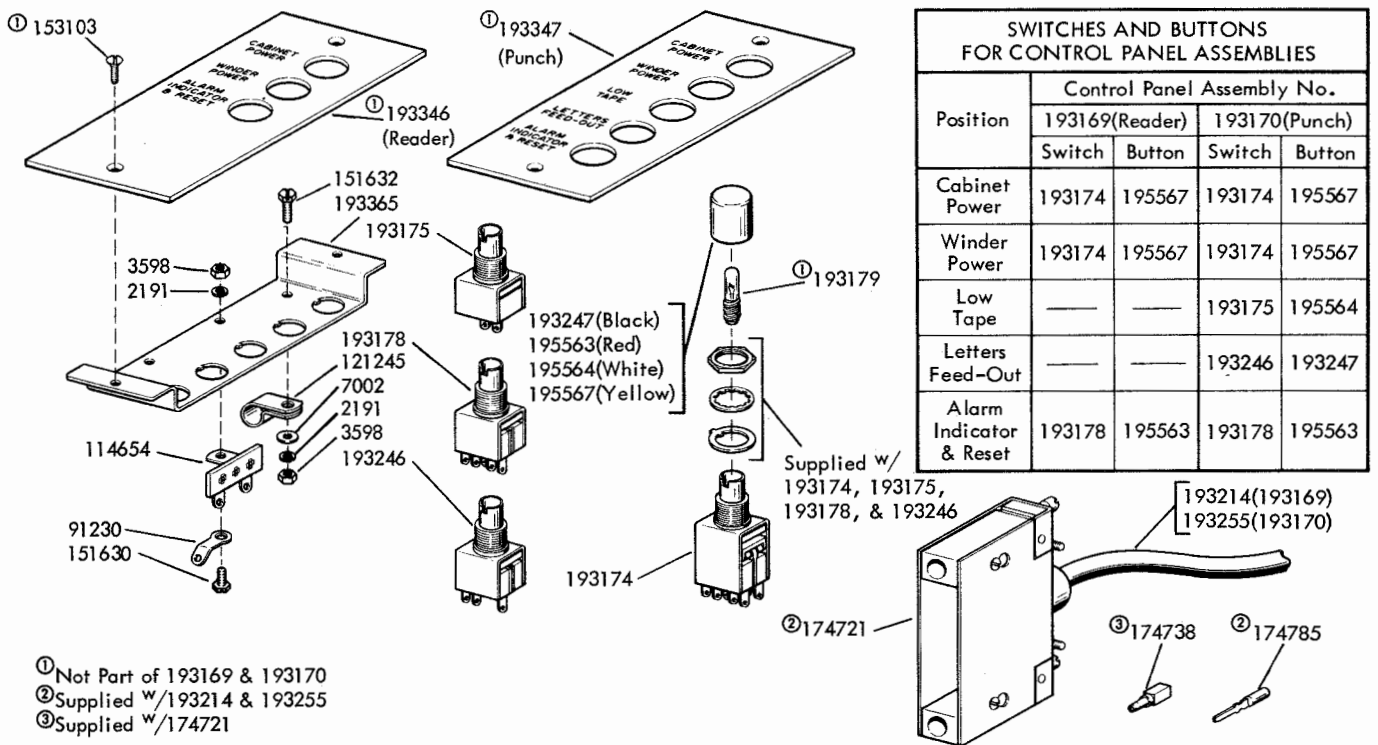


FIGURE 2. 193169 AND 193170 CONTROL PANEL ASSEMBLIES

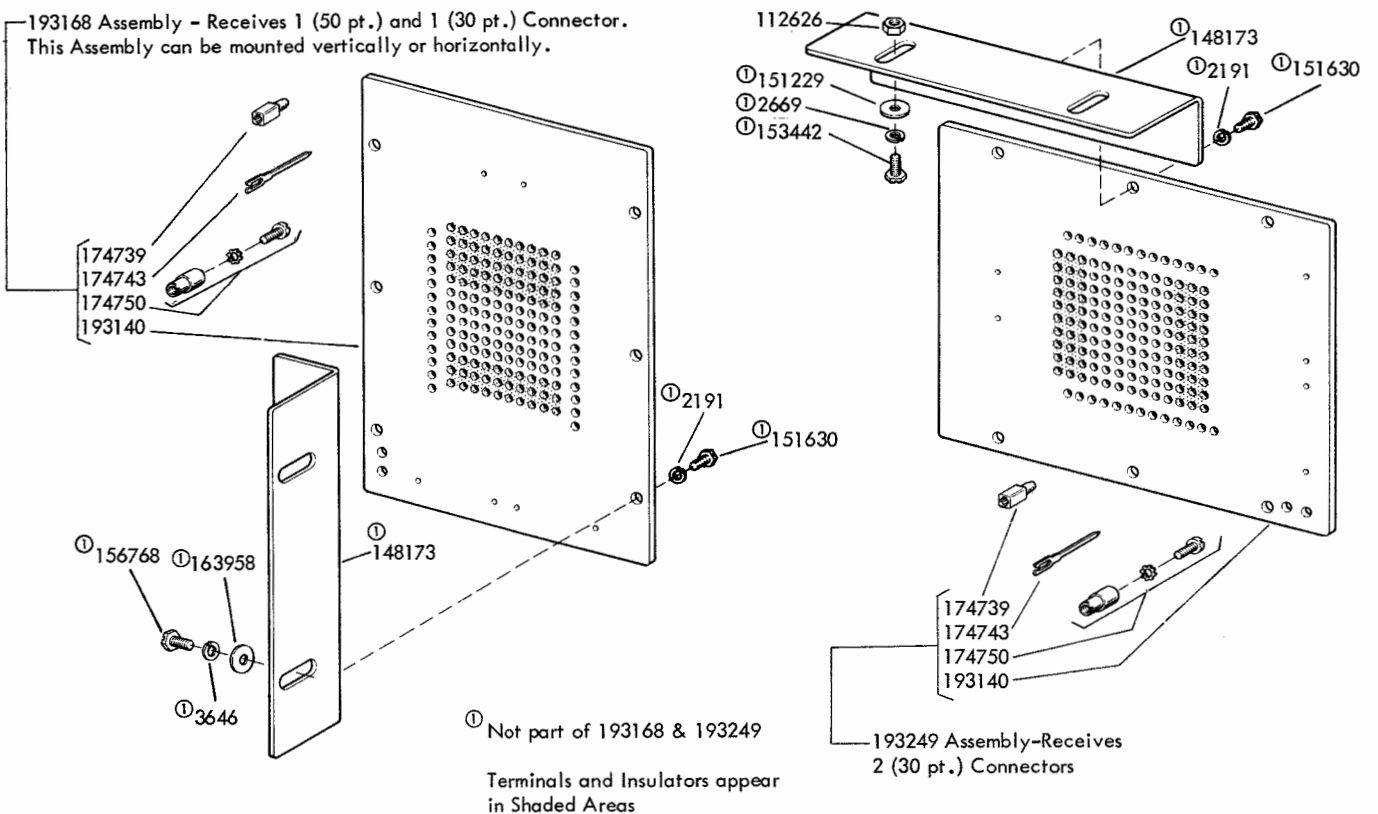
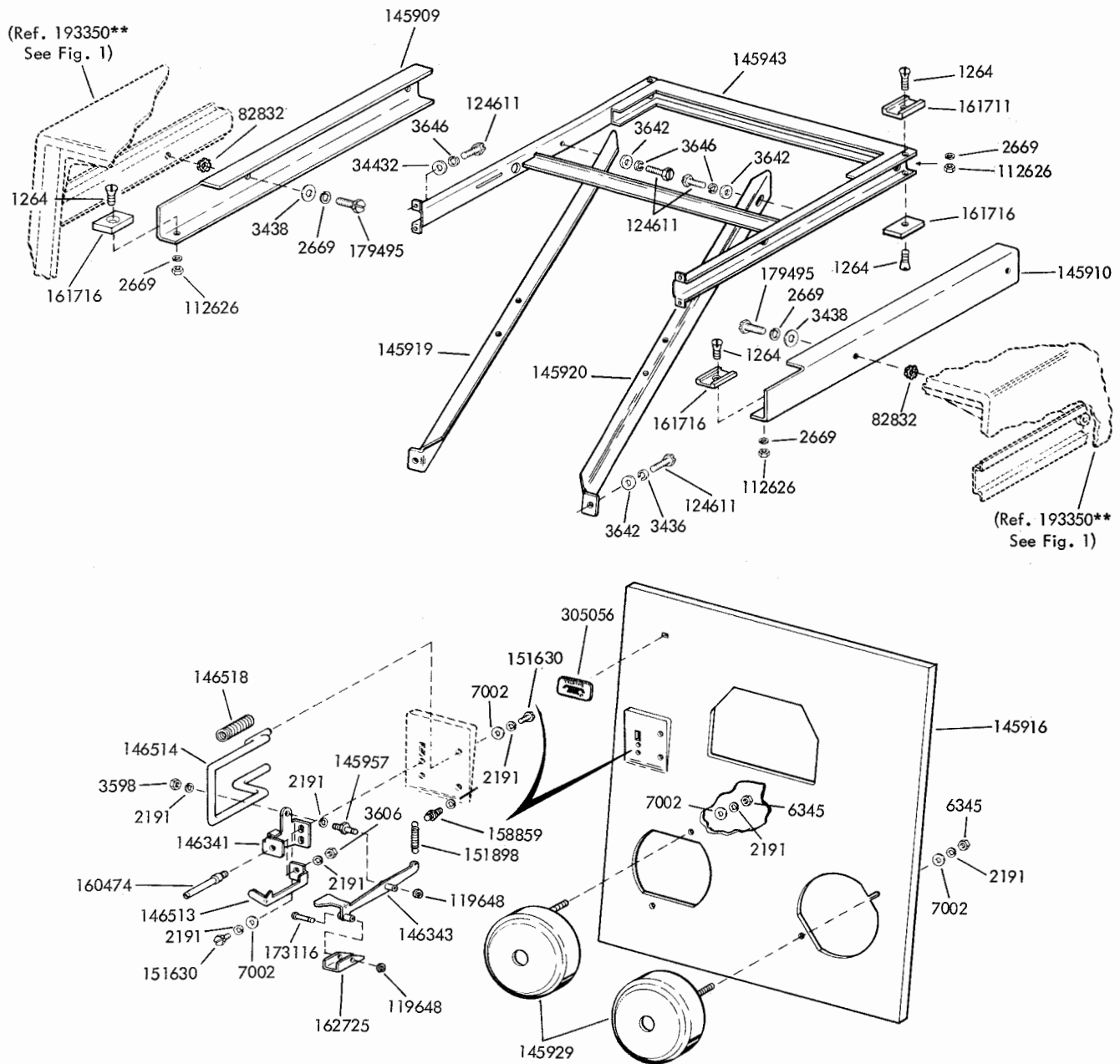
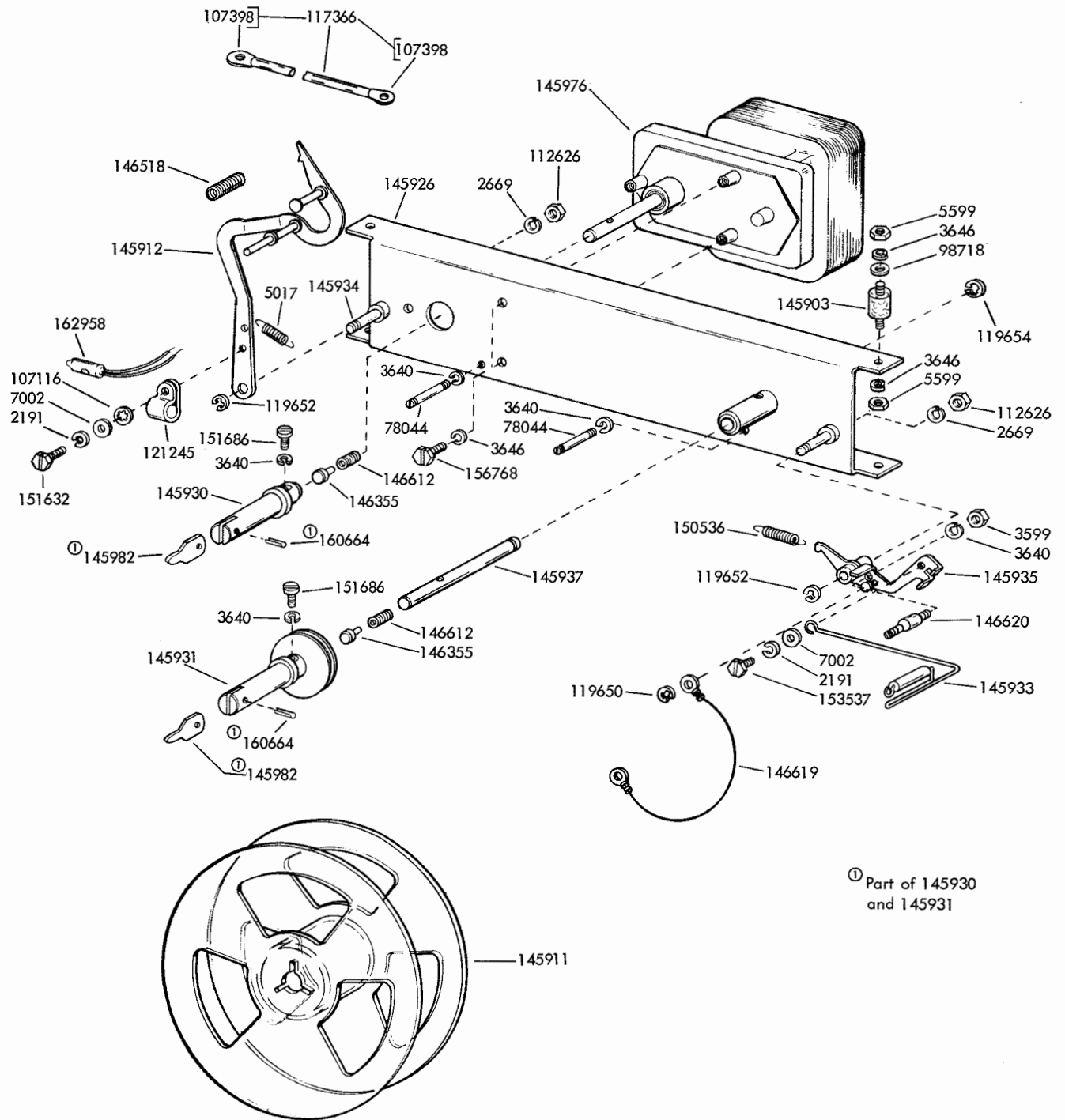


FIGURE 3. REAR CONNECTOR PLATE ASSEMBLIES



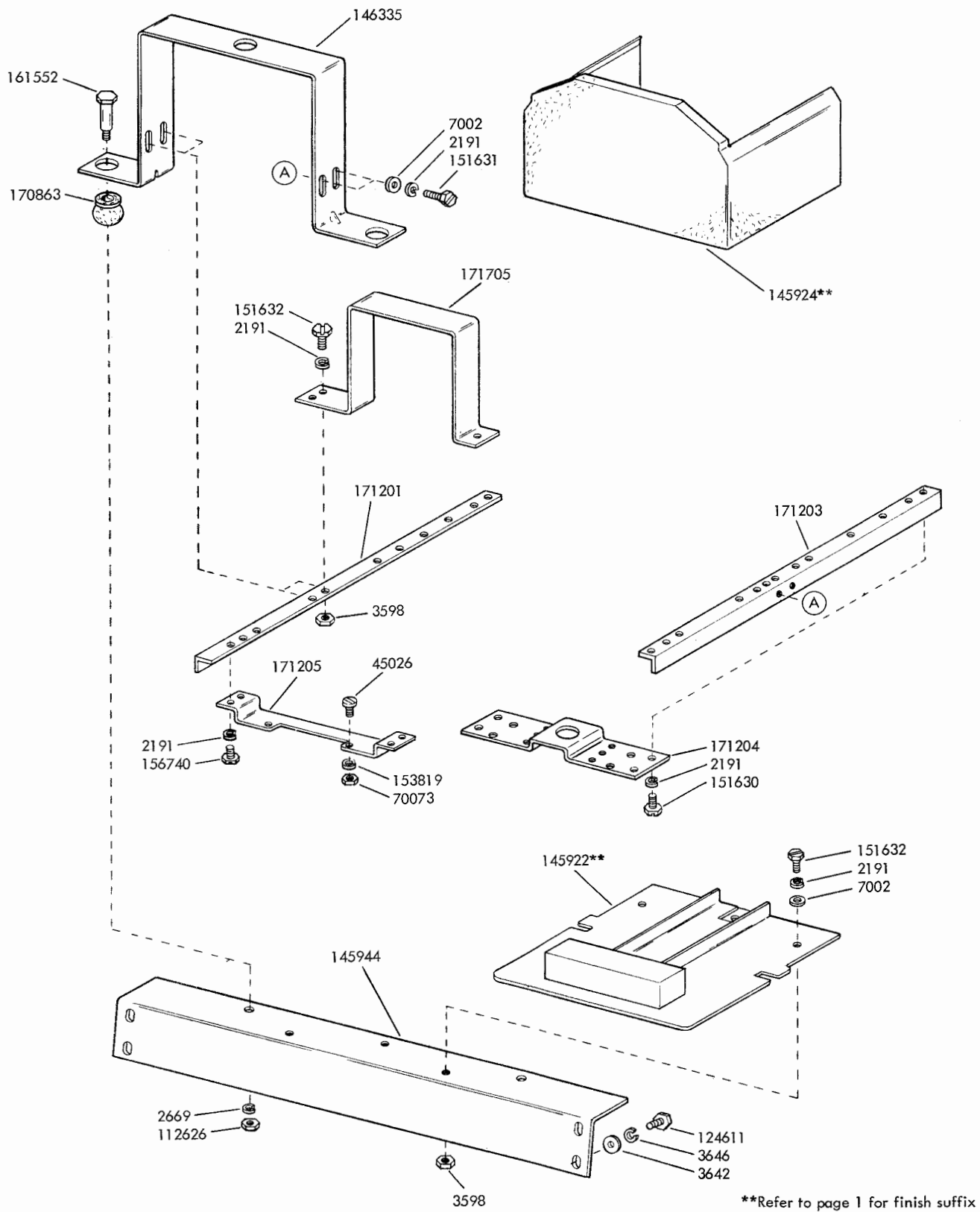
**Refer to page 1 for finish suffix

FIGURE 4. FRONT PANEL FOR READER CABINET



① Part of 145930 and 145931

FIGURE 5. TAPE HANDLING MECHANISM FOR READER CABINET



**Refer to page 1 for finish suffix

FIGURE 6. READER MOUNTING PARTS

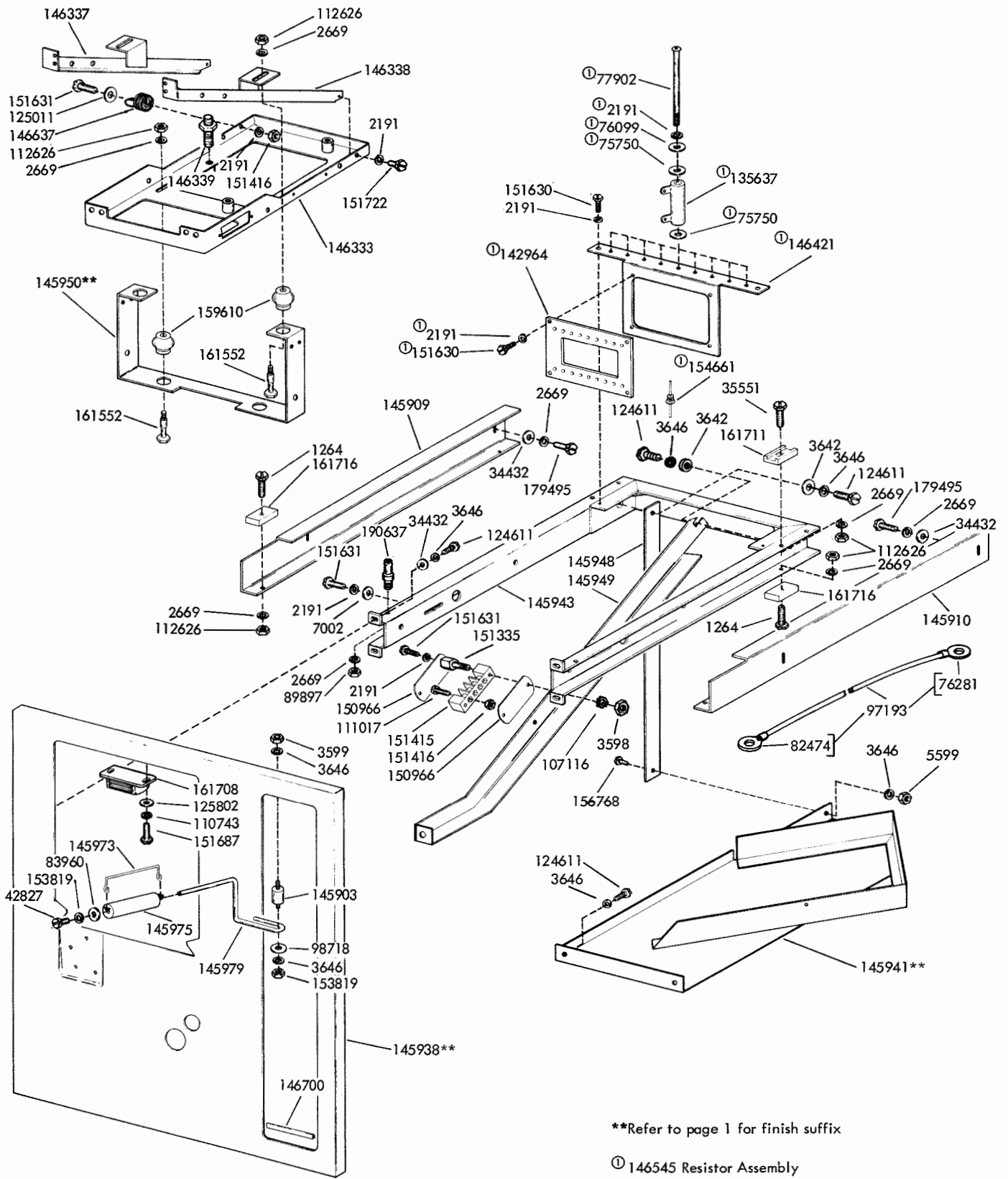


FIGURE 7. FRONT PANEL FOR PUNCH CABINET

SECTION 592-850-801

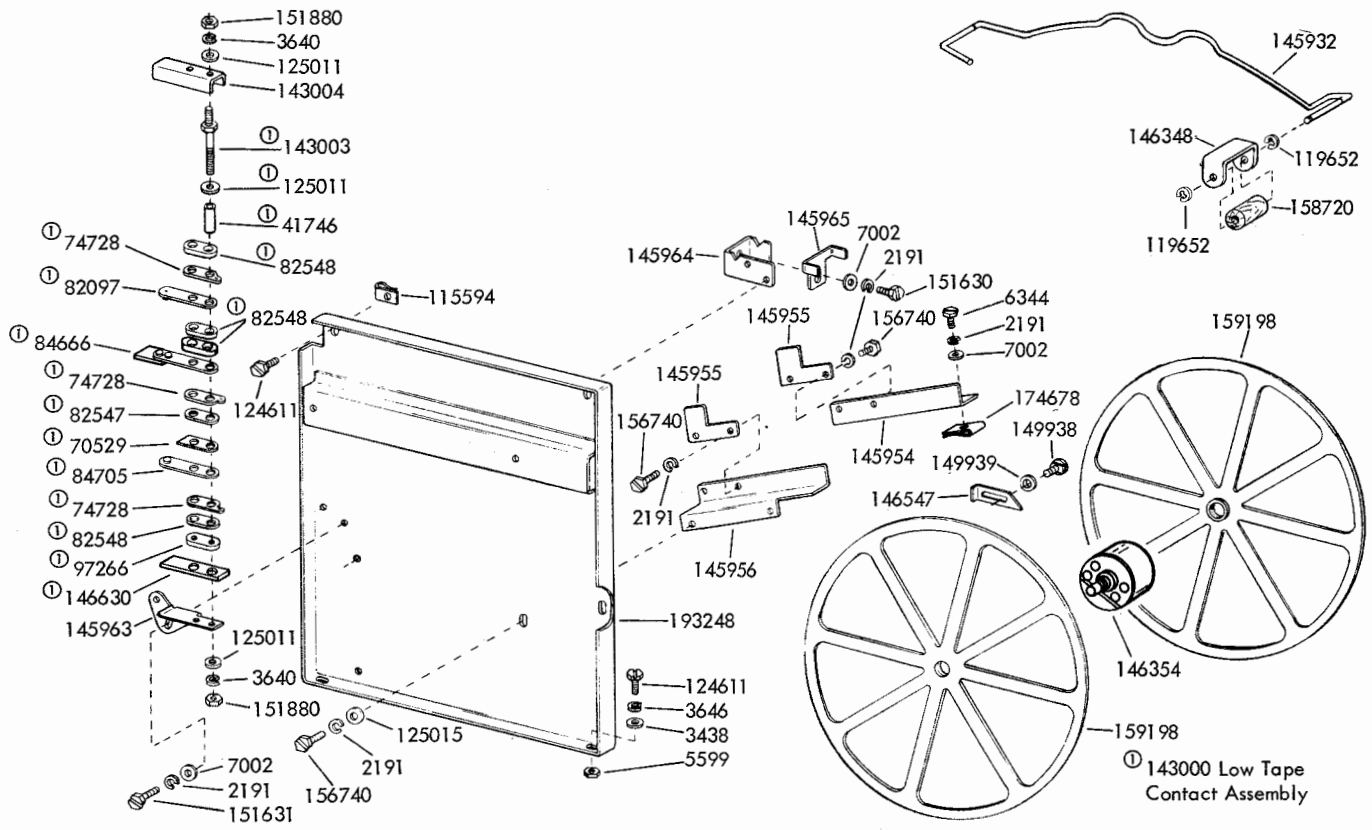
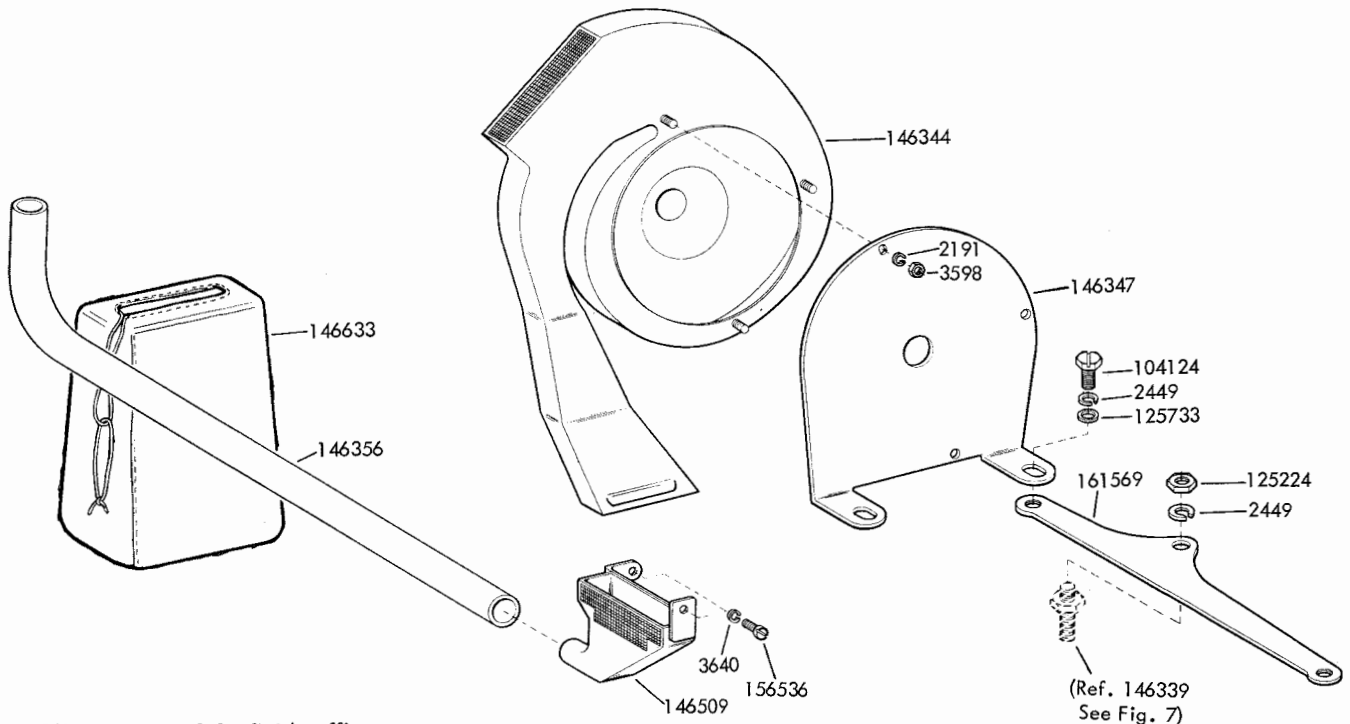


FIGURE 8. TAPE FEED OUT COMPONENTS FOR PUNCH CABINET



**Refer to page 1 for finish suffix

FIGURE 9. CHAD BLOWER FOR PUNCH CABINET

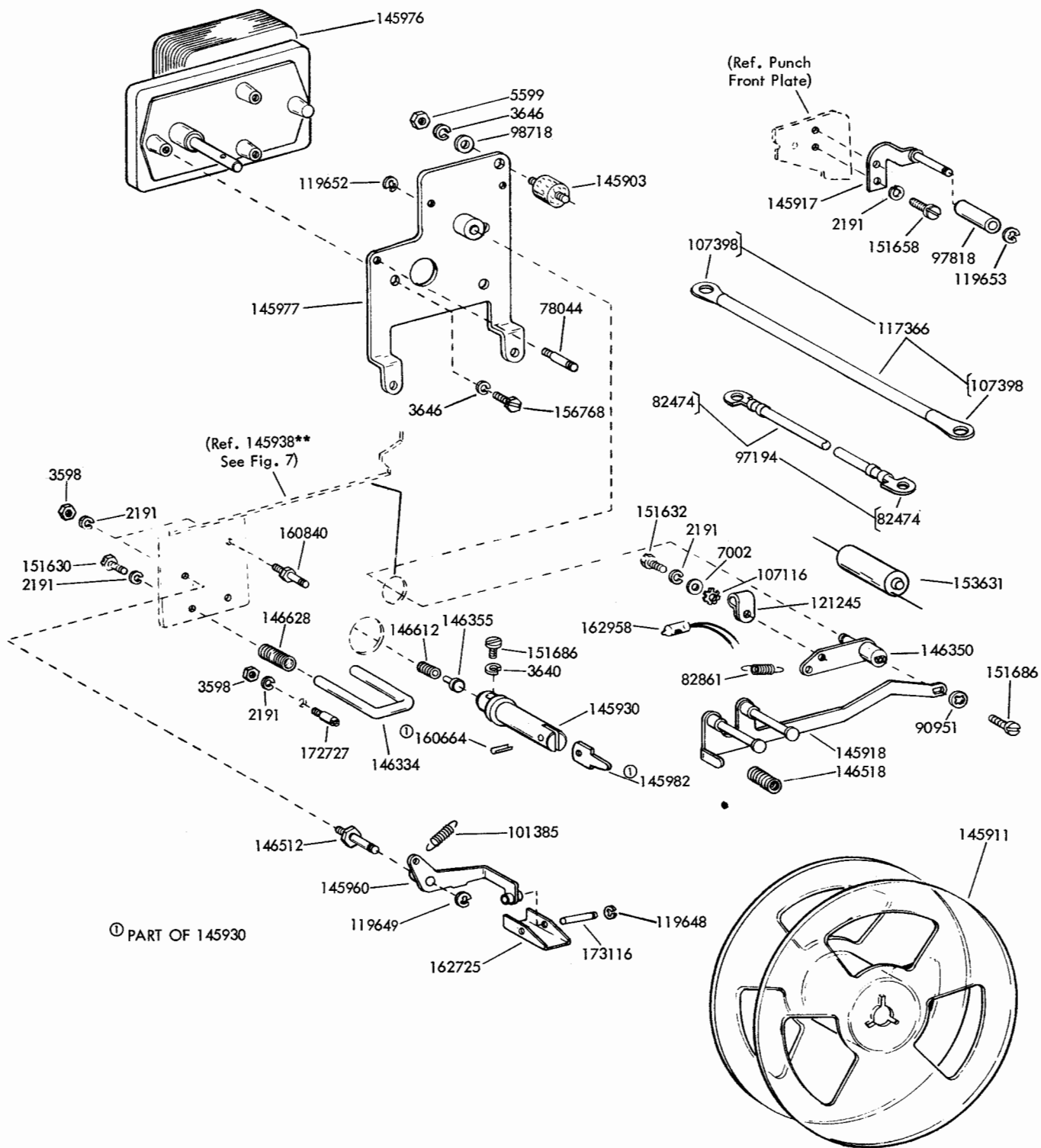


FIGURE 10. TAPE HANDLING MECHANISM FOR PUNCH CABINET

SECTION 592-850-801

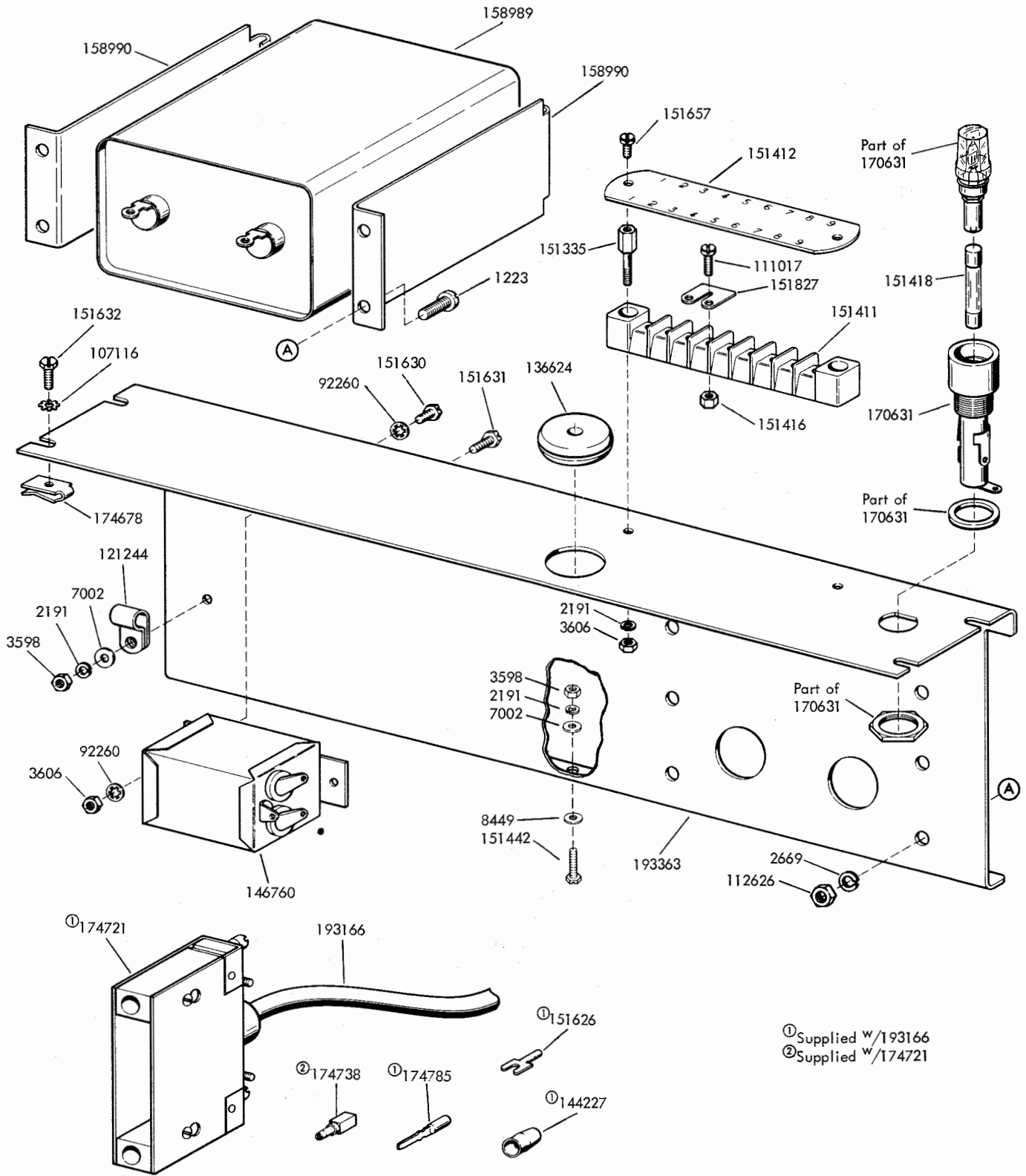


FIGURE 11. 193165 ELECTRICAL SERVICE ASSEMBLY

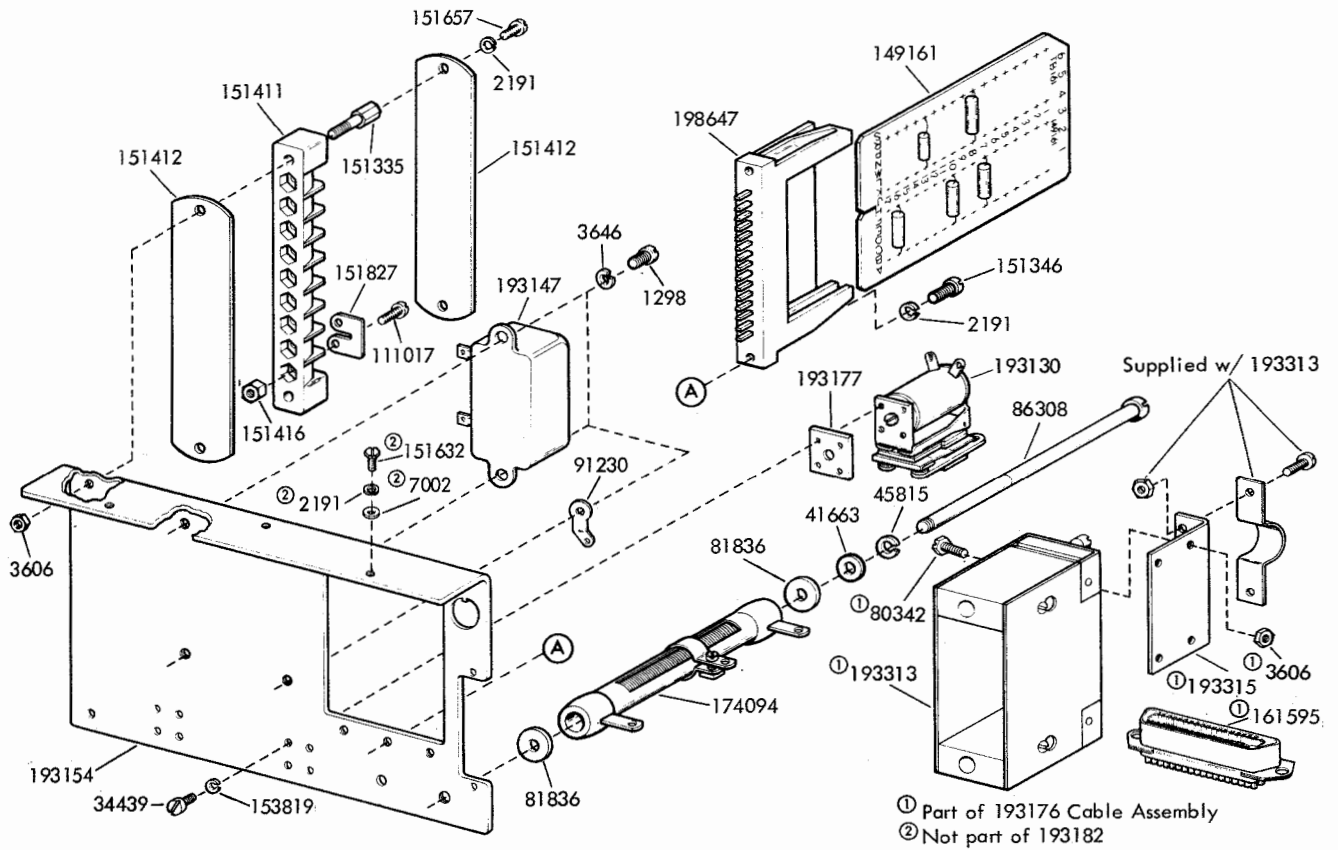


FIGURE 12. 193182 READER MOTOR START PANEL ASSEMBLY

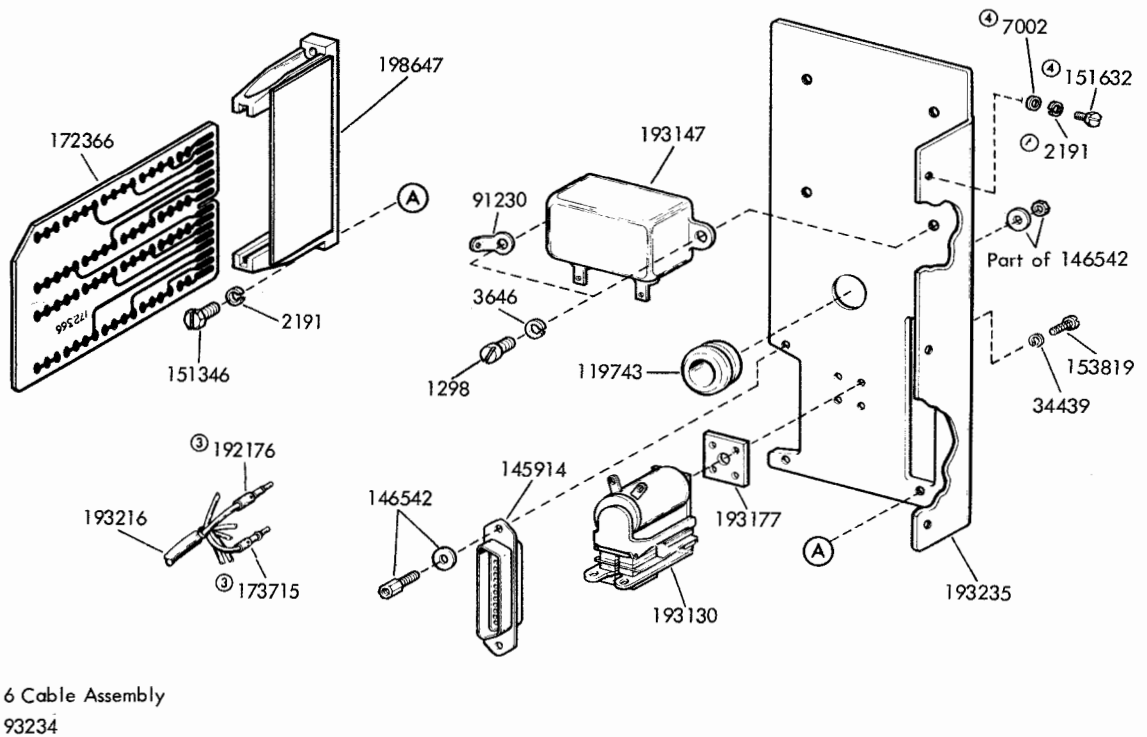
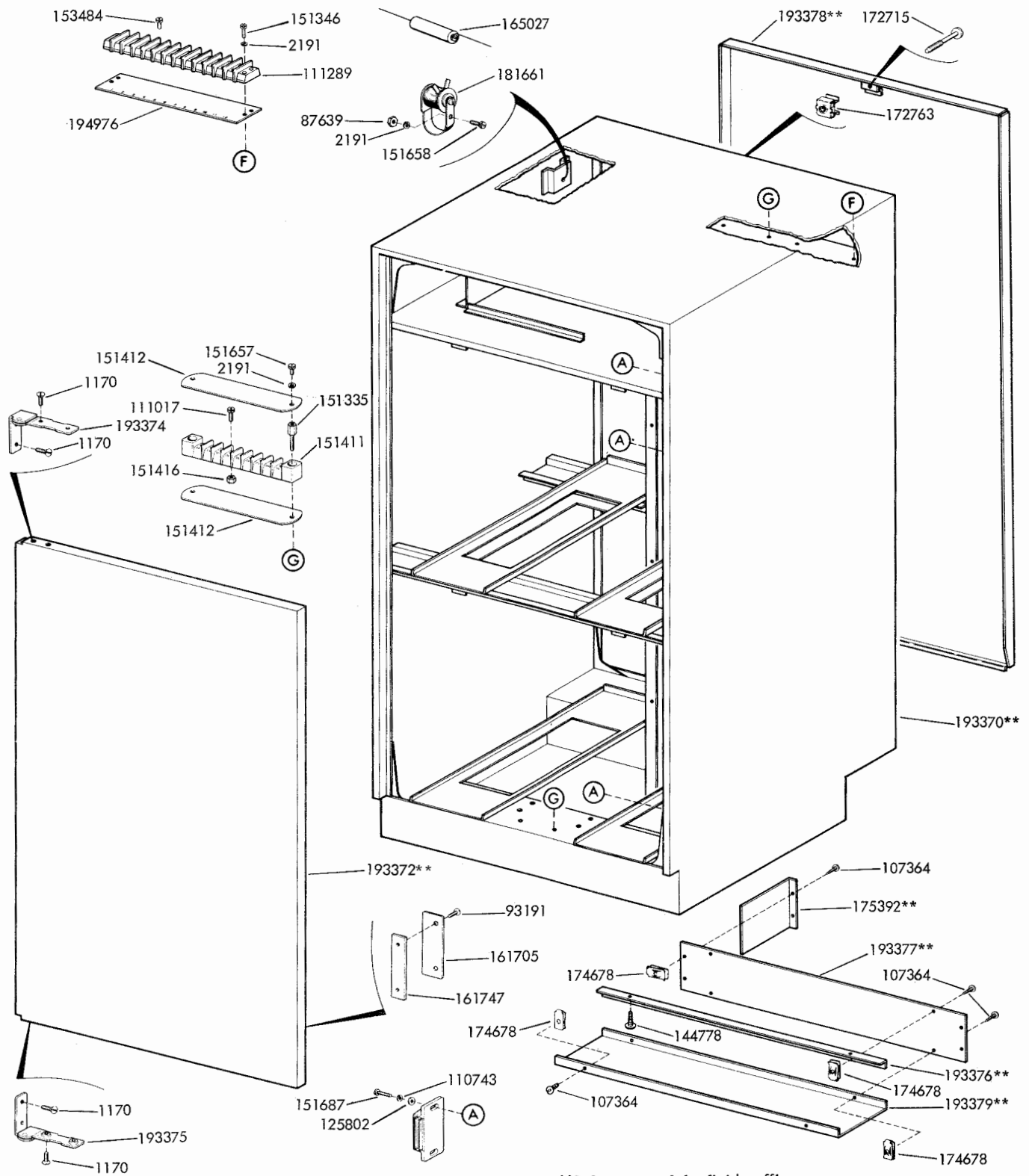


FIGURE 13. 193234 PUNCH MOTOR START PANEL ASSEMBLY

SECTION 592-850-801



**Refer to page 1 for finish suffix

FIGURE 14. CONTROLLER CABINET

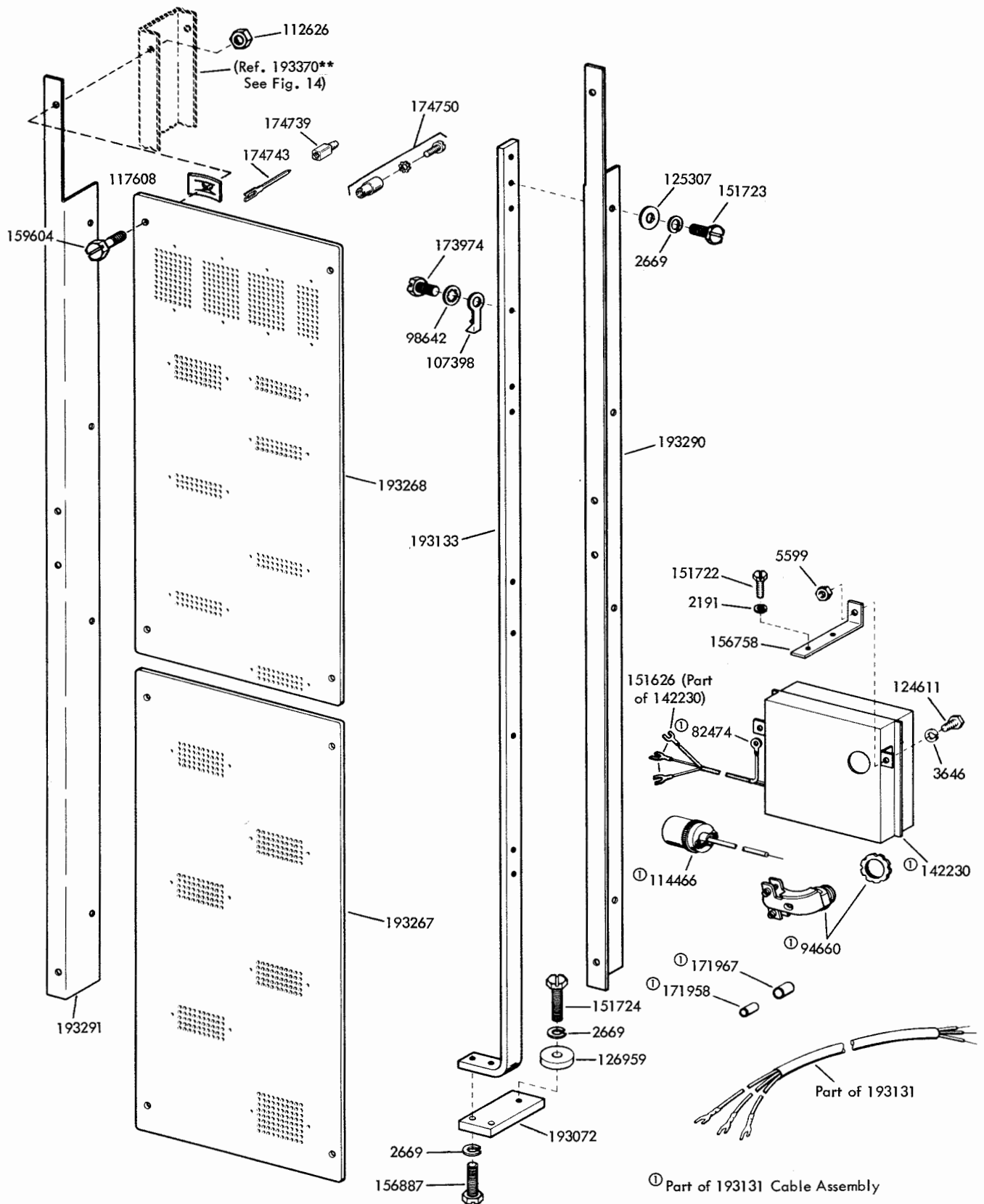


FIGURE 15. CONTROLLER CABINET (Continued)

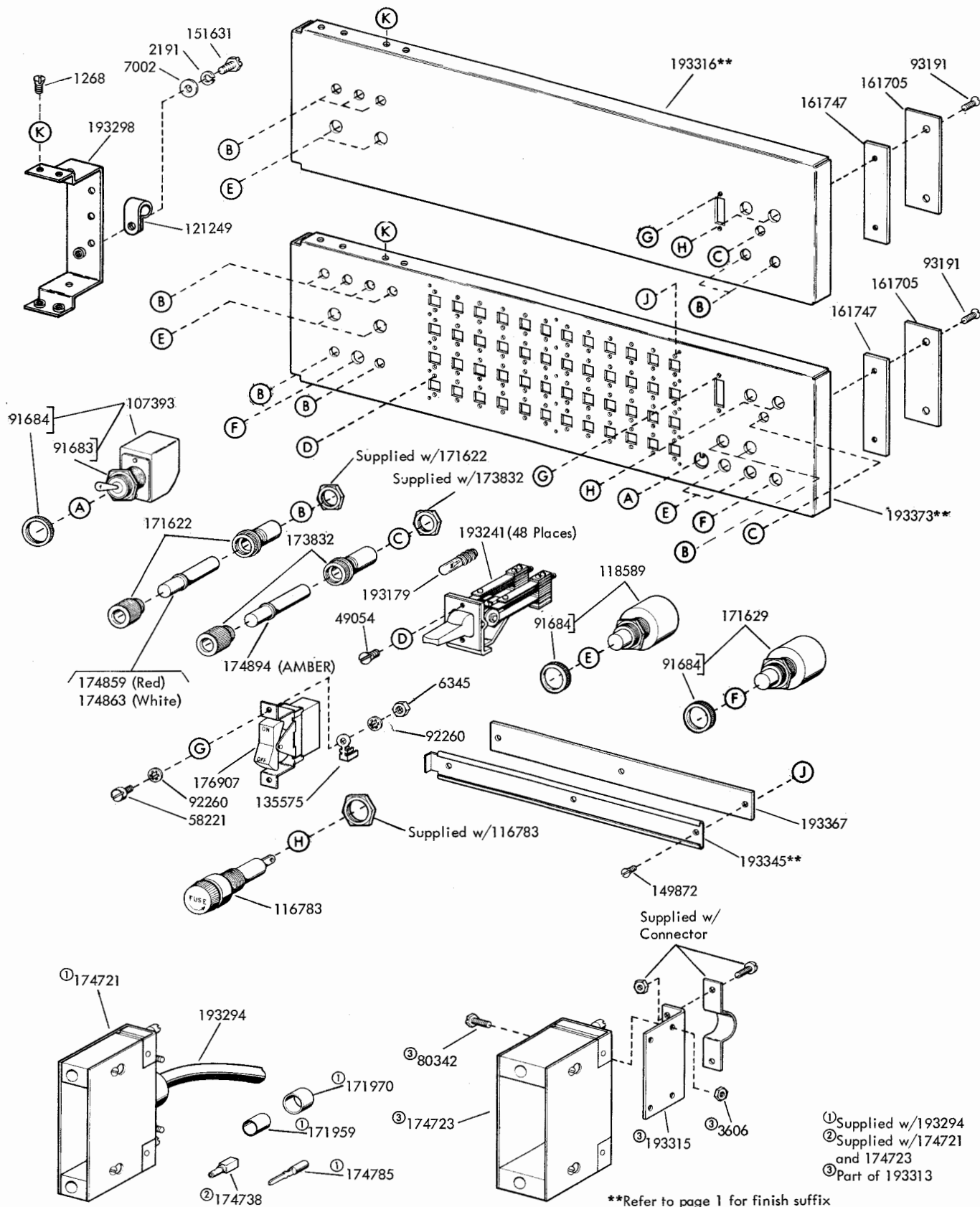


FIGURE 16. 193205** (MASTER STATION) AND 193215** (OUTLYING STATION) CONTROL PANEL ASSEMBLIES

CONNECTORS									
Inner (Length .31)			Outer (Length .25)			Insulated (Length .46)			
Part No.	I.D.	O.D.	Color	Part No.	I.D.	Color	Part No.	I.D.	Color
171950	.090	.114	Orange	171961	.187	Orange	171972	.187	Green
171951	.109	.131	Red	171962	.199	Tin	171973	.207	Black
171952	.124	.145	Green	171963	.207	Yellow	171974	.261	Red
171953	.134	.156	Orange	171964	.235	Orange	172275	.156	Yellow
171954	.150	.181	Blue	171965	.261	Yellow	172276	.180	Blue
171955	.156	.191	Red	171966	.281	Purple	172277	.235	Green
171956	.180	.204	Green	171967	.300	Green	172278	.281	Blue
171957	.194	.225	Blue	171968	.312	Yellow	172279	.312	Yellow
171958	.219	.243	Tin	171969	.344	Orange			
171959	.261	.297	Blue	171970	.375	Blue			
171960	.297	.337	Red	171971	.405	Red			

CABLE CLAMPS	
Part No.	I.D.
121242	1/8
121243	3/16
121244	1/4
121245	5/16
121246	3/8
121247	7/16
121248	1/2
121249	5/8
121250	3/4
121251	1

CABLE CLAMPS	
Part No.	I.D.
174757	5/16 thru 7/16
174758	7/16 thru 5/8
174759	5/8 thru 3/4
174760	3/4 thru 7/8

INSULATING SLEEVES		
Part No.	I.D.	Length
155750	3/32	1/2"
155751	1/8	1"
155752	5/64	1/2"
155753	1/8	1/2"
155754	1/16	1/2"
155755	11/64	5/8"

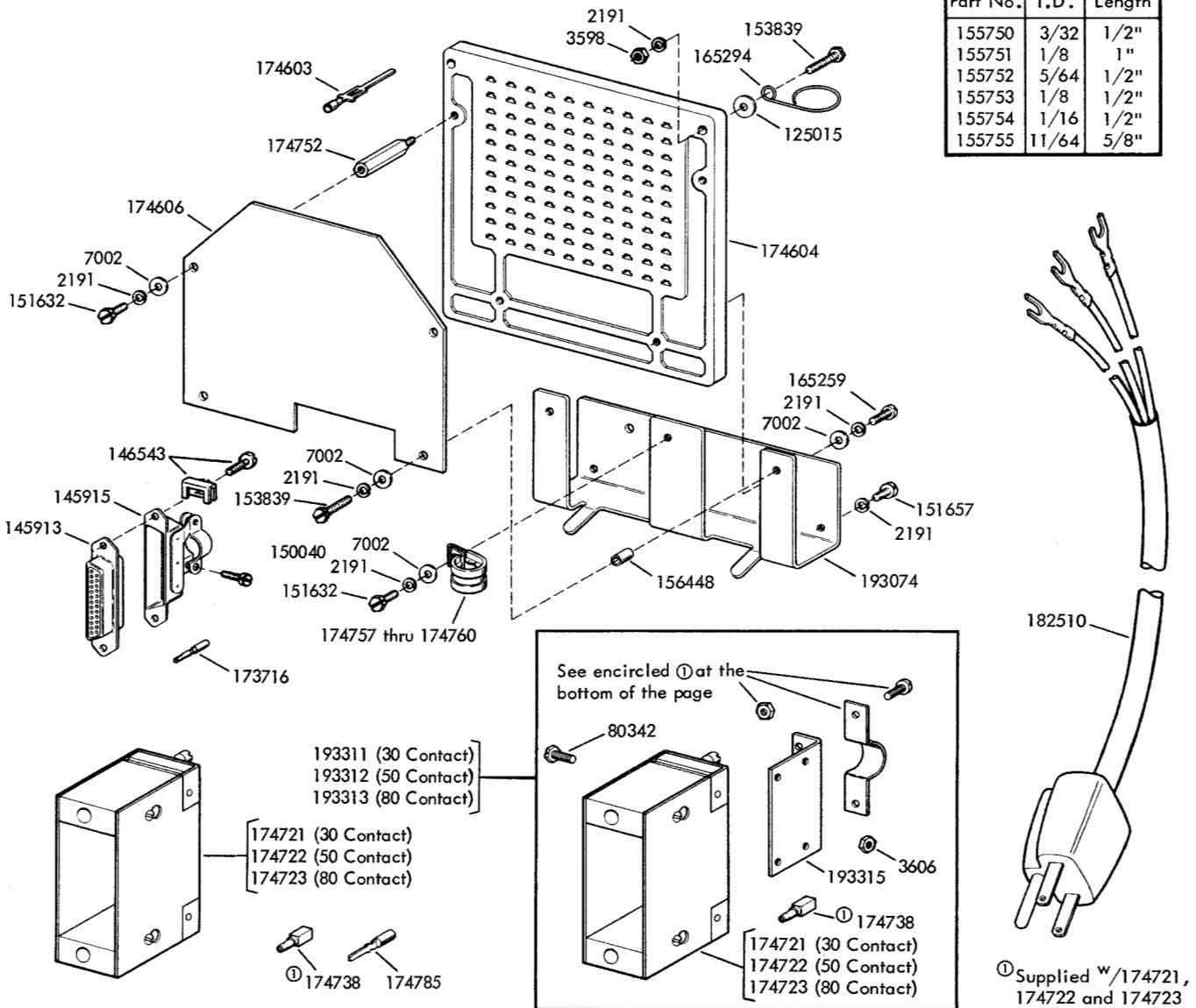


FIGURE 17. CABLE COMPONENTS

NUMERICAL INDEX

Part Number	Description and Page Number	Part Number	Description and Page Number	Part Number	Description and Page Number
1170	Screw (6-32 x 5/16 Flat) 2, 12	97193	Jumper (12-1/2" Black) 7	144778	Screw, Self-Tapping (#6) 2, 12
1223	Screw (10-32 x 1/2 Fil) 10	97194	Jumper (8" Black) 9	145903	Mount, Vibration 5, 7, 9
1264	Screw (10-32 x 1/2 Flat) 4, 7	97266	Plate, Clamp 8	145904	Hinge 2
1268	Screw (6-40 x 5/16 Flat) 14	97818	Roller, Tape 9	145905	Hinge 2
1291	Screw (6-32 x 3/4 Flat) 2	98642	Washer, Lock 13	145909	Channel, Left 4, 7
1298	Screw (8-32 x 1/4 Fil) 11	98718	Washer, Flat 5, 7, 9	145910	Channel, Right 4, 7
2191	Washer, Lock 2 to 14, 15	101385	Spring 9	145911	Reel, Tape 5, 9
2449	Washer, Lock 8	104124	Screw (1/4-32 x 11/32 Hex) 8	145912	Arm w/Posts 5
2669	Washer, Lock 2 to 7, 10, 13	107116	Washer, Lock 5, 7, 9, 10	145913	Connector, Receptacle (25 Pt) 15
3438	Washer, Flat 2, 4, 8	107364	Screw (6-32 x 3/8 Fil) 2, 12	145914	Connector, Plug (25 Pt) 11
3598	Nut (6-40 Hex) 2 to 4, 6 to 10, 15	107393	Switch, Toggle (SP-ST) 14	145915	Clamp, Cable 15
3599	Nut (4-40 Hex) 5, 7	107398	Terminal 5, 9, 13	145916**	Panel, Front 4
3606	Nut (6-40 Hex) 4, 10, 11, 14, 15	110743	Washer, Lock 7, 12	145917	Bracket w/Post 9
3640	Washer, Lock 5, 8, 9	111017	Screw (6-40 x 5/16 Fil) 7, 10, 11, 12	145918	Arm, Tape 9
3642	Washer, Flat 4, 6, 7	111289	Block, Terminal 12	145919	Brace, Left 4
3646	Washer, Lock 3 to 9, 11, 13	112626	Nut (10-32 Hex) 3 to 7, 10, 13	145920	Brace, Right 4
5017	Spring 5	114466	Connector, Receptacle (2 Pt) 13	145922	Pan 6
5599	Nut (8-32 Hex) 5, 7 to 9, 13	114654	Strip, Terminal 3	145924**	Cover 6
6344	Screw (6-32 x 11/32 Hex) 8	115594	Nut, Speed (8-32) 8	145926	Plate w/Hub 5
6345	Nut (6-32 Hex) 2, 4, 14	116783	Holder, Fuse 14	145929**	Cup (4-1/2" ID) 4
7002	Washer, Flat 2 to 11, 14, 15	117366	Jumper (8-1/2" Green) 5, 9	145930	Hub Assembly 5, 9
34432	Washer, Flat 4, 7	117608	Nut, Speed 13	145931	Disk Assembly 5
34439	Screw (3-48 x 17/64 Fil) 11	118589	Switch, Push (NO, Black) 14	145932	Arm, Tape Brake 8
35551	Screw (10-32 x 3/8 Flat) 7	119636**	Button, Plug 2	145933	Guide, Tape 5
41663	Washer, Flat 11	119648	Ring, Retaining 4, 9	145934	Post 5
41746	Bushing, Insulating 8	119649	Ring, Retaining 9	145935	Arm w/Hub 5
42827	Screw (3-48 x 1/4 Fil) 7	119650	Ring, Retaining 5	145937	Shaft 5
45026	Screw, Shoulder (3-48) 6	119652	Ring, Retaining 5, 8, 9	145938**	Panel, Front 7
45815	Washer, Lock 11	119653	Ring, Retaining 9	145941**	Tray, Chad Bag 7
49054	Screw (2-56 x 3/16 Flat) 14	119654	Ring, Retaining 5	145943	Frame, Inner 4, 7
58221	Screw (6-32 x 1/4 Fil) 14	119743	Grommet, Rubber 11	145944	Bracket, Mounting 6
70073	Nut (3-48 Hex) 6	121242	Clamp, Cable (1/8" ID) 15	145948	Brace 7
70529	Stiffener 8	121243	Clamp, Cable (3/16" ID) 15	145949	Brace 7
74014	Screw (10-32 x 3/4 Hex) 2	121244	Clamp, Cable (1/4" ID) 10, 15	145950	Bracket, Vibration Mount 7
74728	Terminal, Contact 8	121245	Clamp, Cable (5/16" ID) 3, 5, 9, 15	145954	Slide 8
75750	Washer, Insulating 7	121246	Clamp, Cable (3/8" ID) 15	145955	Plate, Bearing 8
76099	Washer, Flat 7	121247	Clamp, Cable (7/16" ID) 15	145956	Slide 8
76281	Terminal 7	121248	Clamp, Cable (1/2" ID) 15	145957	Stud 4
77902	Screw (6-40 x 2-3/8 Rd) 7	121249	Clamp, Cable (5/8" ID) 14, 15	145960	Lever w/Hub 9
78044	Post, Spring 5, 9	121250	Clamp, Cable (3/4" ID) 15	145963	Bracket, Contact Mounting 8
78453	Nut (10-32 Hex) 2	121251	Clamp, Cable (1" ID) 15	145964	Bracket, Brake Arm Mounting 8
80342	Screw (6-40 x 23/64 Hex) 11, 14, 15	124611	Screw (8-32 x 3/8 Hex) 4, 6, 7, 8, 13	145965	Bracket, Brake Retaining 8
81836	Washer, Insulating 11	125011	Washer, Flat 8	145968	Nut, Speed (#6) 2
82097	Spring, Contact 8	125015	Washer, Flat 8, 15	145973	Guide, Tape 7
82474	Terminal 7, 9, 13	125108	Screw (6-32 x 3/8 Fil) 2	145975	Roller, Tape Guide 7
82547	Insulator (.094") 8	125224	Nut (1/4-32 Hex) 8	145976	Motor, AC (115 V. 105 RPM) 5, 9
82548	Insulator (.062") 8	125307	Washer, Flat 13	145977	Bracket w/Hub 9
82832	Washer, Lock 4	125733	Washer, Flat 8	145979	Guide, Tape 7
82861	Spring 9	125802	Washer, Flat 7, 12	145982	Detent, Tape Reel 5, 9
83960	Washer, Flat 7	126959	Washer, Flat 2, 13	145983	Screw, Self-Tapping (#6) 2
84666	Spring, Contact 8	128913	Screw, Self-Tapping (8-32) 2	146333	Plate, Base 7
84705	Spring, Contact 8	135575	Terminal 14	146334	Guide, Tape 9
86308	Screw (10-32 x 4-3/8 Fil) 11	135637	Resistor (25 Ohm) 7	146335	Bracket, Mounting 6
87639	Nut (6-40 Hex) 11	136624	Grommet 10	146337	Brace, Left 7
89897	Nut (10-32 Hex) 7	142230	Suppressor, Noise 13	146338	Brace, Right 7
90951	Washer, Lock 9	142964	Board, Terminal 7	146339	Stud 7
91230	Terminal 3, 11	143000	Contact Assembly, Tape Out 8	146341	Bracket, Chad Depressor 4
91683	Nut (15/32-32 Hex) 14	143003	Stud 8	146343	Arm w/Hub 4
91684	Nut (15/32-32 Ring) 14	143004	Cover, Insulating 8	146344	Casing, Fan Wheel 8
92260	Washer, Lock 10, 14	143004	Terminal, Insulated (Black) 10	146347	Plate, Mounting 8
93191	Screw (4-40 x 5/16 Flat) 12, 14	144227		146348	Bracket, Tape Guide 8
94660	Connector (90°) 13			146350	Lever w/Shaft 9

NUMERICAL INDEX

Part Number	Description and Page Number	Part Number	Description and Page Number	Part Number	Description and Page Number
146354	Core 8	153819	Washer, Lock 6, 7, 11	171959	Connector, Shielding 14, 15
146355	Plunger 5, 9	153839	Screw (6-40 x 5/8 Hex) 15	171960	Connector, Shielding 15
146356	Tube, Chad 8	154661	Diode 7	171961	Connector, Shielding 15
146421	Bracket, Mounting 7	155750	Sleeve, Insulating (3/32 ID x 1/2" Lg) 15	171962	Connector, Shielding 15
146509	Chute w/Bracket 8	155751	Sleeve, Insulating (1/8 ID x 1" Lg) 15	171963	Connector, Shielding 15
146512	Post 9	155752	Sleeve, Insulating (5/64 ID x 1/2" Lg) 15	171964	Connector, Shielding 15
146513	Guide, Tape 4	155753	Sleeve, Insulating (1/8 ID x 1/2" Lg) 15	171965	Connector, Shielding 15
146514	Guide, Tape 4	155754	Sleeve, Insulating (1/16 ID x 1/2" Lg) 15	171966	Connector, Shielding 15
146518	Roller, Spring 4, 5, 9	155755	Sleeve, Insulating (11/64 ID x 5/8 Lg) 15	171967	Connector, Shielding 13, 15
146542	Post Assembly 11	156448	Bushing 15	171968	Connector, Shielding 15
146543	Screw Assembly 15	156536	Screw (4-40 x 1/8 Fil) 8	171969	Connector, Shielding 15
146545	Resistor Assembly 7	156740	Screw (6-40 x 7/32 Hex) 6, 8	171970	Connector, Shielding 14, 15
146547	Latch, Core 8	156758	Bracket 13	171971	Connector, Shielding 15
146612	Spring 5, 9	156768	Screw (8-32 x 9/32 Hex) 5, 7, 9	171972	Connector, Shielding 15
146619	Wire, Brake 5	156887	Screw (10-32 x 9/16 Hex) 13	171973	Connector, Shielding 15
146620	Post, Eccentric 5	158720	Roller 8	171974	Connector, Shielding 15
146628	Roller, Spring 9	158859	Post, Spring 4	172275	Connector, Shielding 15
146630	Insulator (.015") 8	158989	Capacitor (20 Mfd) 10	172276	Connector, Shielding 15
146633	Bag, Chad 8	158990	Bracket, Mounting 10	172277	Connector, Shielding 15
146637	Clip, Spring 7	159198	Retainer, Tape 8	172278	Connector, Shielding 15
146700	Strip, Trim 7	159604	Screw (10-32 Spl) 13	172279	Connector, Shielding 15
146760	Suppressor 10	159610	Mount, Vibration 7	172366	Card, Circuit (EC366) 11
148173	Bracket, Mounting 3	160474	Stud 4	172715	Screw, Captive (10-24) 2, 12
149161	Board, Terminal (TB161) 11	160664	Pin, Roll 5, 9	172727	Post, Cover Mounting 9
149872	Screw, Self-Tapping (2-56) 14	160840	Post, Anchor	172763	Nut, Grip (10-24) 2, 12
149938	Screw, Shoulder (4-40) 8	161552	Screw (10-32 Spl) 6, 7	173116	Pin 4, 9
149939	Washer, Spring 8	161569	Plate 8	173715	Terminal, Plug Type 11
150040	Screw (6-40 x 5/8 Fil) 15	161595	Connector, Receptacle (36 Pt) 11	173716	Terminal, Receptacle Type 15
150536	Spring 5	161705	Strike, Fastener 12, 14	173832	Holder, Lamp 14
150966	Insulator (1-4) 7	161708	Latch, Magnetic 7	173974	Screw (10-32 x 5/16 Hex) 13
151229	Washer, Flat 3	161711	Block, Guide 4, 7	174094	Resistor (25 Ohm) 11
151335	Stud 7, 10, 11, 12	161716	Block, Support 4, 7	174603	Terminal 15
151346	Screw (6-40 x 3/8 Fil) 11, 12	161747	Plate, Nut 12, 14	174604	Block, Terminal 15
151411	Block, Terminal 10, 11, 12	162725	Depressor, Chad 4, 9	174606	Shield 15
151412	Insulator (1-9) 11, 12	162958	Switch, Mercury 5, 9	174618	Latch, Door 2
151415	Block, Terminal 7	163958	Washer, Flat 3	174619	Strike, Door 2
151416	Nut (6-40 Hex) 7, 10, 11, 12	165027	Network, Spark Suppression 12	174678	Nut, Speed (6-32) 2, 8, 10, 12
151418	Fuse (10 Amp) 10	165259	Screw (6-32 x 3/8 Rd) 15	174691	Bar, Buss 2
151442	Screw (6-40 x 1/2 Hex) 10	165294	Guide, Wire 15	174721	Connector, Plug (30 Pt) 3, 10, 14, 15
151621	Screw (6-32 x 3/4 Rd) 15	170631	Holder, Fuse 10	174722	Connector, Plug (50 Pt) 15
151626	Terminal 10, 13	170863	Mount, Vibration 6	174723	Connector, Plug (80 Pt) 14, 15
151630	Screw (6-40 x 1/4 Hex) 3, 4, 6, 7, 8, 9, 10	171201	Rail, Left 6	174738	Insulator, White 3, 10, 14, 15
151631	Screw (6-40 x 5/16 Hex) 6, 7, 8, 10, 14	171203	Rail, Right 6	174739	Insulator, White 3, 13
151632	Screw (6-40 x 3/8 Hex) 3, 5, 6, 9, 10, 11, 15	171204	Bracket 6	174743	Terminal, Plug Type 3, 13
151657	Screw (6-40 x 1/4 Fil) 2, 10, 11, 12, 15	171205	Bracket, Connector Mounting 6	174750	Key Assembly 3, 13
151658	Screw (6-40 x 5/16 Fil) 9, 12	171622	Holder, Lamp 14	174752	Post 15
151686	Screw (4-40 x 3/8 Fil) 5, 9	171629	Switch, Push (NC Red) 14	174757	Clamp, Cable (ID 5/16-7/16) 15
151687	Screw (4-40 x 7/16 Fil) 7, 12	171705	Guard, Gear 6	174758	Clamp, Cable (ID 7/16-5/8) 15
151722	Screw (6-40 x 3/16 Hex) 7, 13	171950	Connector, Shielding 15	174759	Clamp, Cable (ID 5/8-3/4) 15
151723	Screw (10-32 x 3/8 Hex) 2, 13	171951	Connector, Shielding 15	174760	Clamp, Cable (ID 3/4-7/8) 15
151724	Screw (10-32 x 5/8 Hex) 13	171952	Connector, Shielding 15	174785	Terminal, Plug Type 3, 10, 14, 15
151827	Strap, Terminal 10, 11	171953	Connector, Shielding 15	174859	Lamp, Red 14
151880	Nut (4-40 Hex) 8	171954	Connector, Shielding 15	174863	Lamp, White 14
151898	Spring 4	171955	Connector, Shielding 15	174894	Lamp, Amber (ON) 14
153103	Screw, Self-Tapping (4-40) 2, 3	171956	Connector, Shielding 15	174983	Bracket 2
153442	Screw (10-32 x 1/2 Hex) 3	171957	Connector, Shielding 15	175060	Trim, Extruded 2
153484	Screw (6-32 x 1/4 Rd) 12	171958	Connector, Shielding 13, 15	175392**	Plate, Side 2, 12
153537	Screw (6-40 x 9/32 Hex) 5			176907	Switch, Rocker 14
153631	Network, Spark Suppression 9			179495	Screw (10-24 x 1/2 Hex) 4, 7
				181661	Buzzer 12
				182510	Cord, Power 15
				190637	Post 7
				192176	Terminal, Plug Type 11

NUMERICAL INDEX

Part Number	Description and Page Number	Part Number	Description and Page Number	Part Number	Description and Page Number
193072	Strap, Buss Bar 13	193234	Panel Assembly, Motor Start 11	193344**	Panel, Rear 2
193074	Bracket, Mounting 15	193235	Plate, Mounting 11	193345**	Strip, Designation 14
193130	Relay 11	193241	Switch, Illuminated 14	193346	Plate, Name (Reader Cabinet) 3
193131	Cable Assembly 13	193246	Switch, Push 3	193347	Plate, Name (Punch Cabinet) 3
193133	Bar, Buss 13	193247	Button, Push (Black) 3	193350**	Shell, Cabinet 2
193140	Plate, Connector 3	193248	Panel, Divider 8	193362**	Door, Front 2
193147	Capacitor (.25Mfd) 11	193249	Plate Assembly, Rear 3	193363	Panel 10
193154	Plate, Mounting 11	193255	Cable Assembly 3	193364**	Panel, Control 2
193165	Service Assembly 10	193267	Plate Assembly 13	193365	Plate, Switch Mounting 3
193166	Cable Assembly 10	193268	Plate Assembly 13	193367	Spacer 14
193168	Plate Assembly, Rear 3	193290	Bracket, Left 13	193370**	Shell, Cabinet 12
193169	Panel Assembly, Control 3	193291	Bracket, Right 13	193372**	Door, Front 12
193170	Panel Assembly, Control 3	193294	Cable Assembly 11, 14	193373**	Panel, Control 14
193174	Switch, Illuminated Push 3	193298	Bracket, Cable Clamp 14	193374	Hinge 12
193175	Indicator, Illuminated 3	193311	Connector Assembly (30 Pt) 15	193375	Hinge 12
193176	Cable Assembly 11	193312	Connector Assembly (50 Pt) 15	193376**	Bracket, Angle 12
193177	Spacer, Relay 11	193313	Connector Assembly (80 Pt) 11, 14, 15	193377**	Plate, Cover 12
193178	Switch, Illuminated Push 3	193315	Bracket, Connector 11, 14, 15	193378**	Panel, Rear 12
193179	Lamp (28 V) 3, 4	193316**	Panel, Control 14	193379**	Channel, Duct 12
193182	Panel Assembly 11	193341**	Bracket, Angle 2	194976	Insulator (1-12) 12
193205**	Panel Assembly, Control 14	193342**	Plate, Cover 2	195563	Lens, Red 3
193214	Cable Assembly 3	193343**	Channel, Duct 2	195564	Lens, White 3
193215**	Panel Assembly, Control 14			195567	Lens, Yellow 3
193216	Cable 11			198647	Connector, Circuit Card 11
				305056	Plate, Identification (Teletype) 4