

MODULES
for
1A HIGH SPEED SELECTIVE CALLING SYSTEM
PARTS

FIGURE	CONTENTS	PAGE
1	148278** Multi-Voltage Power Supply - MVPS 3	2
2	193001** Transmitter Start Code Generator Module - TSCG	3
3	193001** Transmitter Start Code Generator Module - TSCG (Continued)	4
4	193001** Transmitter Start Code Generator Module - TSCG (Continued)	5
5	193003** Receiving Distributor and Controls Module - RD	6
6	193003** Receiving Distributor and Controls Module - RD (Continued)	7
7	193004** High Speed Reader Controls Module - HISREC 5	8
8	193005** Transmitter Distributor and Controls Module - TD	9
9	193005** Transmitter Distributor and Controls Module - TD (Continued)	10
10	193005** Transmitter Distributor and Controls Module - TD (Continued)	11
11	193008** Sequence Detector Module Selector (1 to 60 Calls)	12
12	193009** Intercept Control Module - INTCO	13
13	193010** Special Electronic Accessories 2 L/H Module - SEA 2 L/H	14
14	193011** Special Electronic Accessories 1 L/H Module - SEA 1 L/H	15
15	193012** Special Electronic Accessories 2 H/L Module - SEA 2 L/H	16
16	193013** Special Electronic Accessories 1 H/L Module - SEA 1 H/L	17
17	193014** High Speed Reader and Alarm Circuits 2 with Sequence Detection 3 Module - HISRAAC 2 W/SED 3	18
18	193164** High Speed Reperforator Control Module - HISRECO 5	19
19	193221** Multi-Voltage Power Supply - MVPS 4	20
20	193222** High Speed Reader and Alarm Circuits 2 Module - HISRAAC 2	21
21	193240** Reperforator Accessories Module - REACC	22
22	193283** High Speed Punch Control 3D Module - HISPUC 3D	23
23	193321** High Speed Punch Control 4B Module - HISPUC 4B	24
24	193322** Differential Message Counter 5 Module - DIMCO 5	25
25	193323** Tape Measure and Counter Control 3 Module - TAMACC 3	26
26	193323** Tape Measure and Counter Control 3 Module - TAMACC 3 (Continued)	27
27	193323** Tape Measure and Counter Control 3 Module - TAMACC 3 (Continued)	28
28	193001** and 193003** Positioning Reference Charts	29
29	193005** and 193008** Positioning Reference Charts	30
	Numerical Index	31

NOTE:

When ordering parts from this section prefix each number with the letters TP

PAINT FINISH SUFFIXES

Multi-Color Code	Color (Smooth)	Suffix
MH	Light Gray	EJ
	Maritime Deck Gray (Medium)	BJ
	Charcoal Gray (Dark)	BZ

Other colors available upon request.

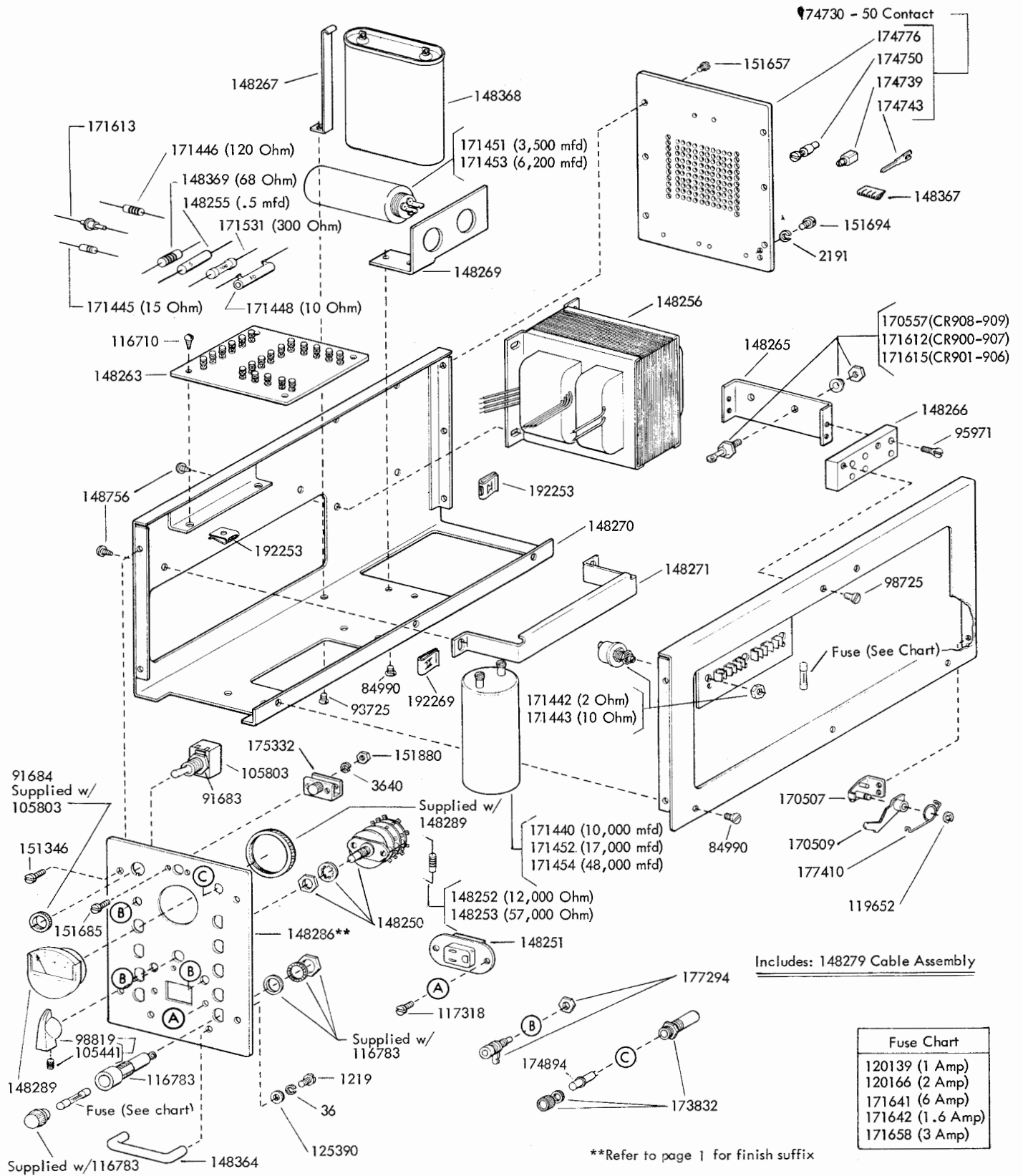


FIGURE 1. 148278** MULTI-VOLTAGE POWER SUPPLY - MVPS 3

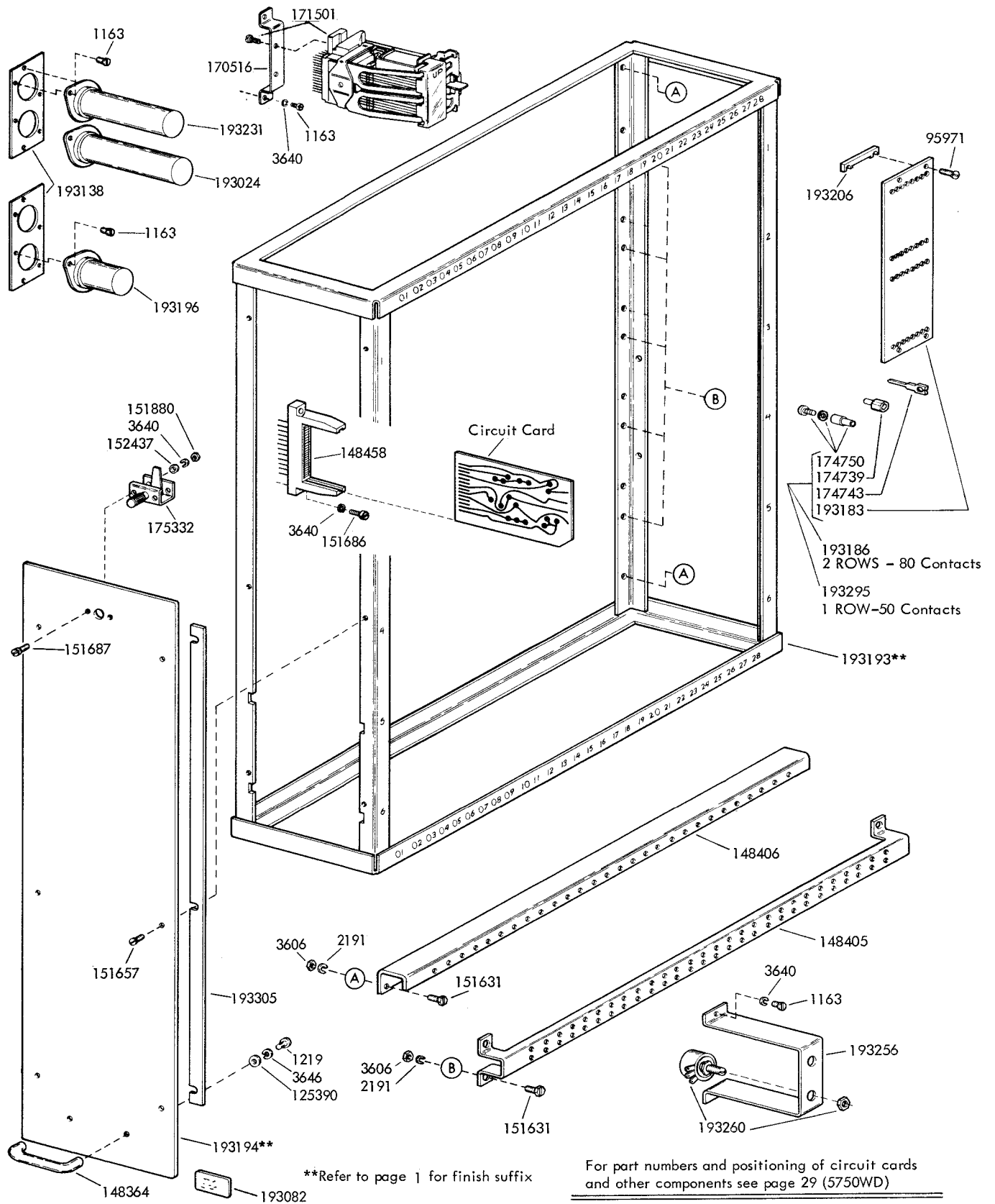
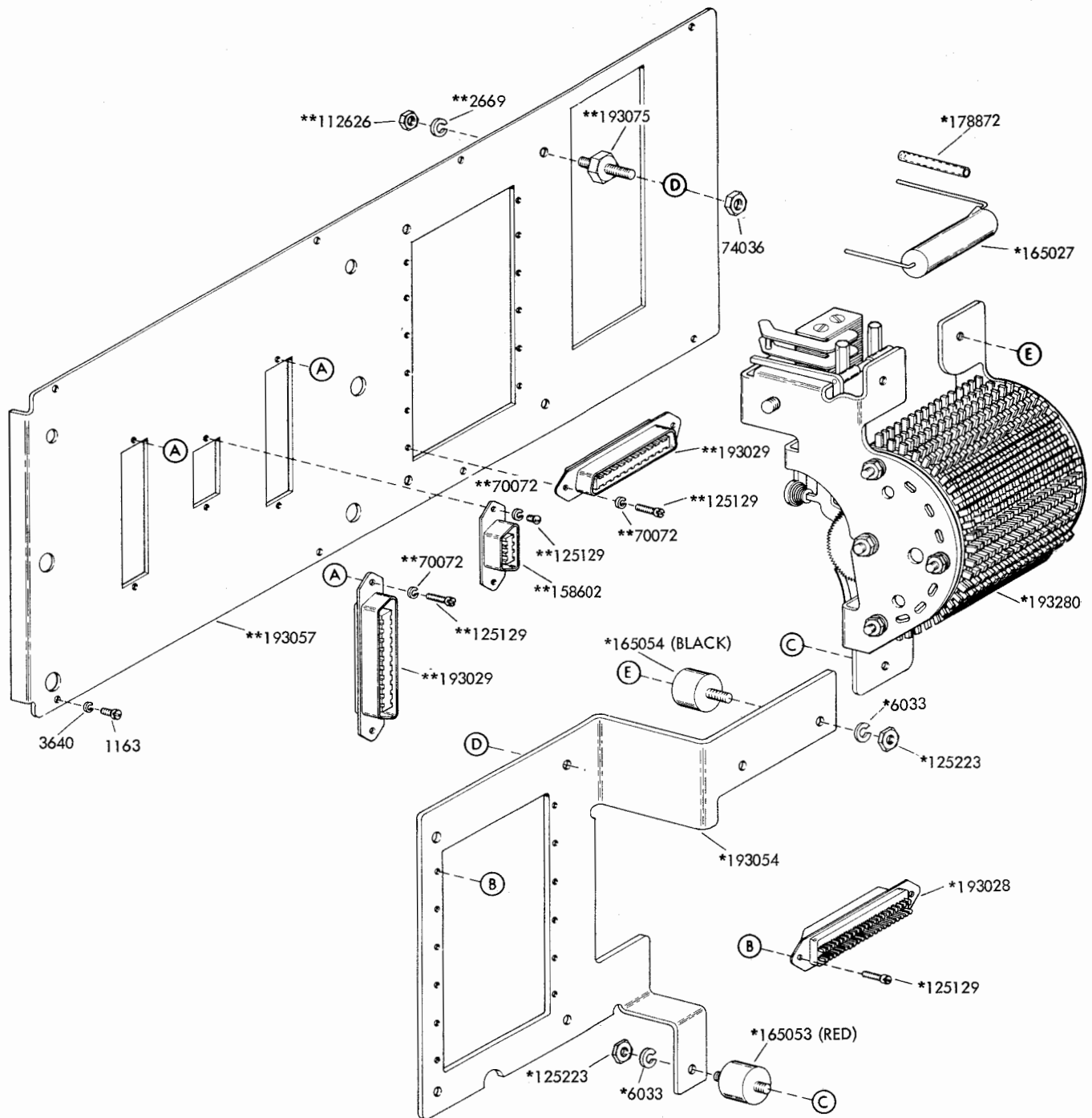


FIGURE 2. 193001** TRANSMITTER START CODE GENERATOR MODULE - TSCG

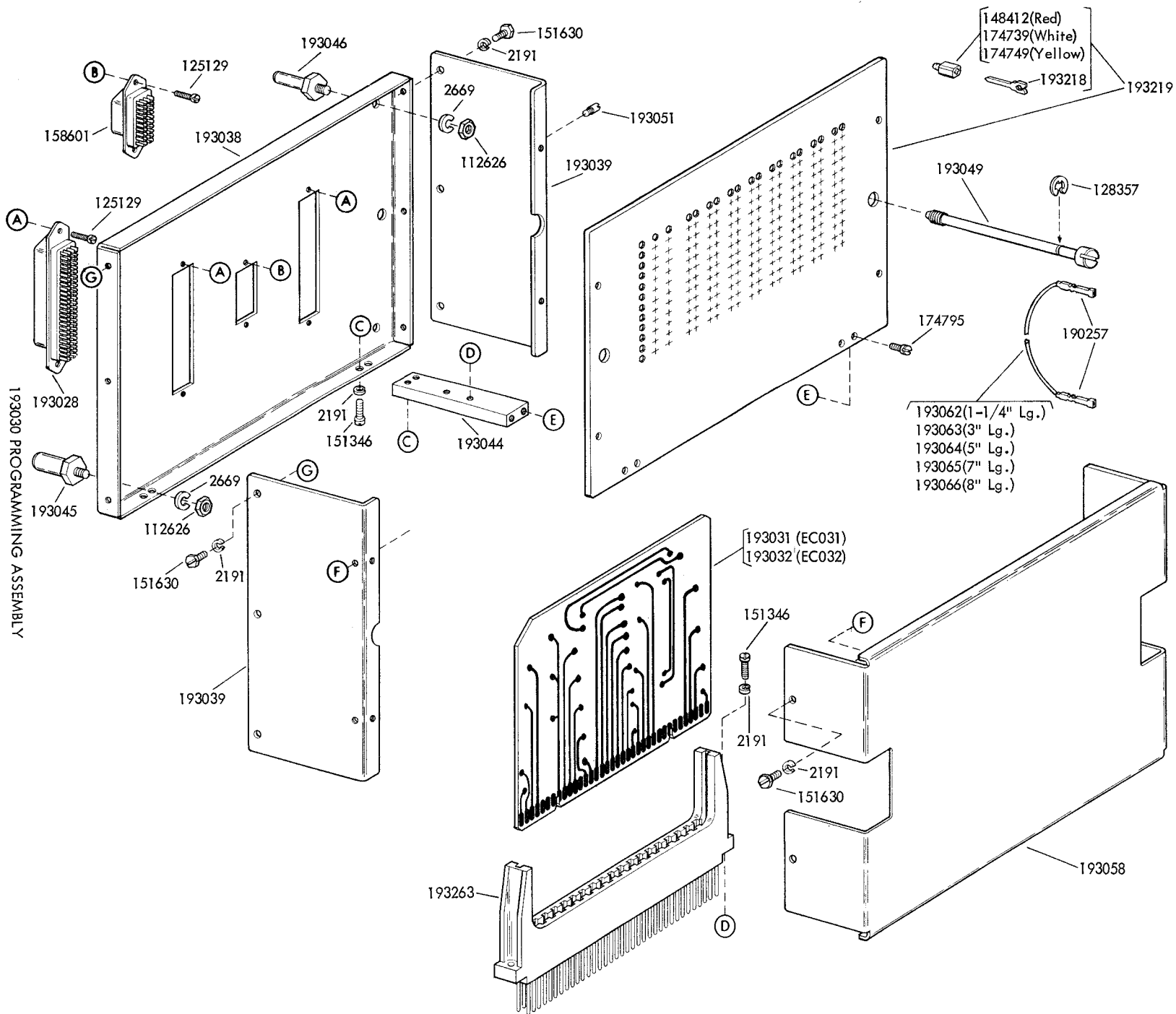


*PART OF 193002 STEPPING SWITCH ASSEMBLY

**PART OF 193195 MOUNTING PLATE ASSEMBLY

FIGURE 3. 193001** TRANSMITTER START CODE GENERATOR MODULE - TSCG (Continued)

FIGURE 4. 193001** TRANSMITTER START CODE GENERATOR MODULE - TSCG (Continued)



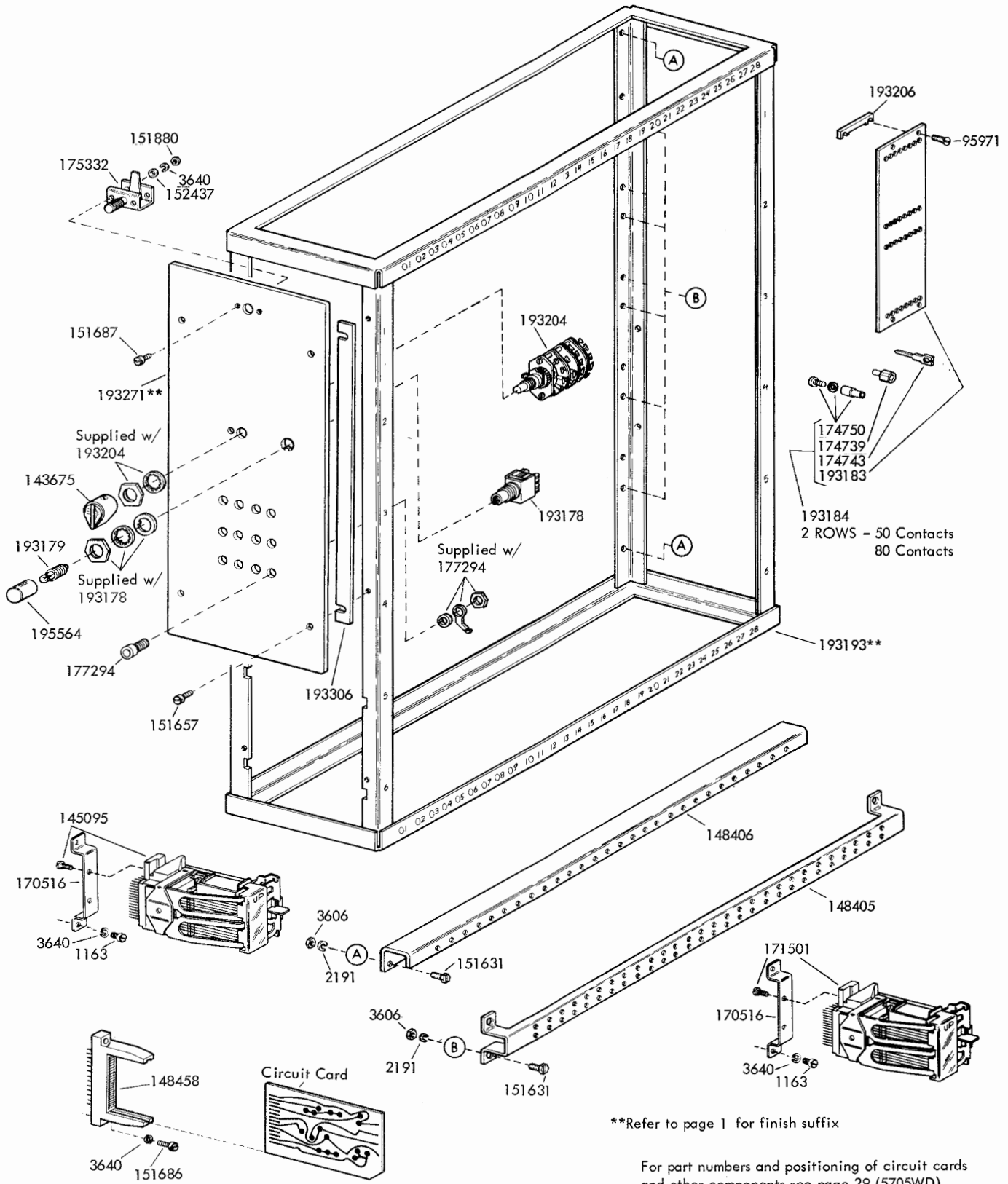


FIGURE 5. 193003** RECEIVER DISTRIBUTOR AND CONTROLS MODULE - RD

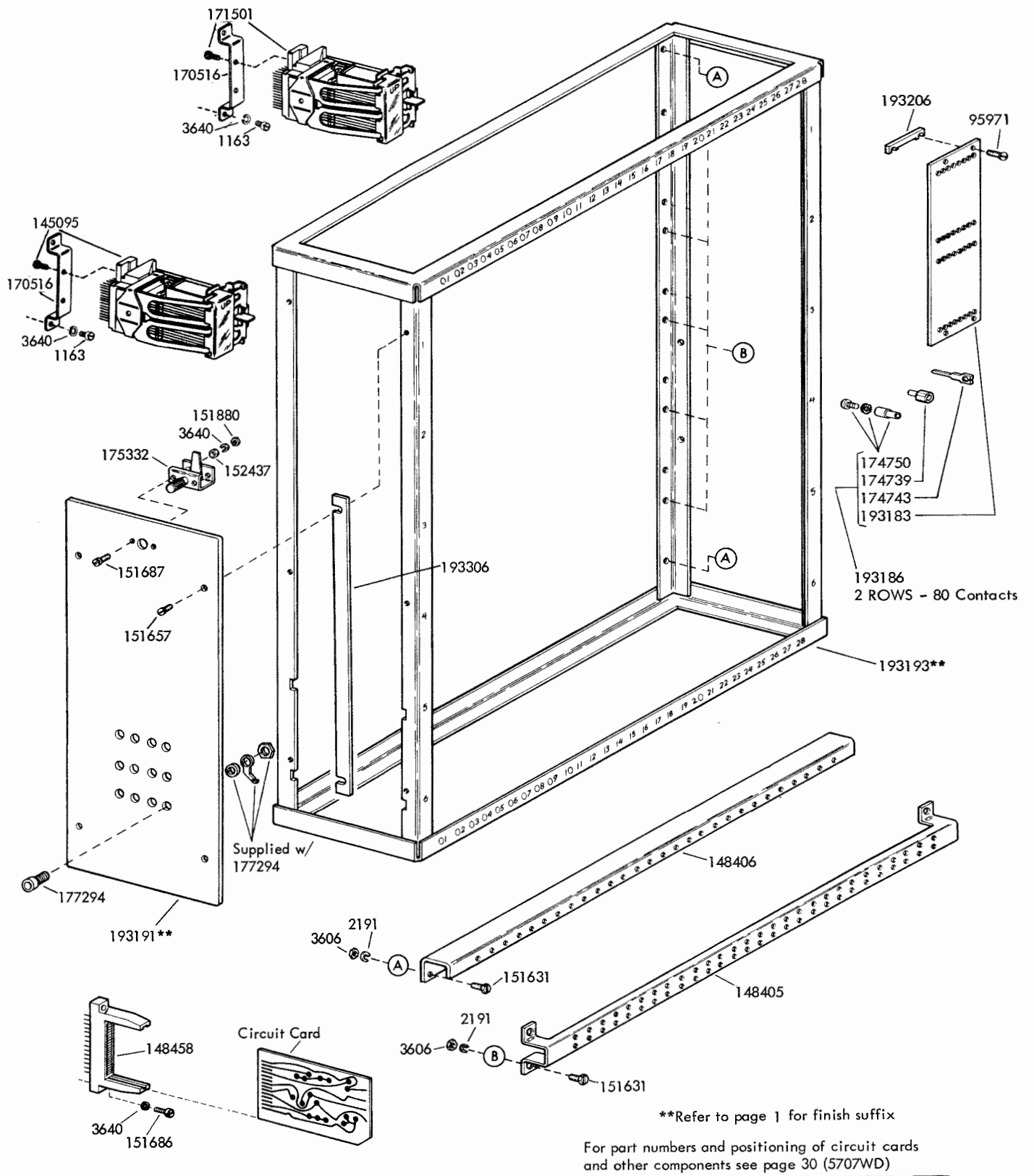


FIGURE 8. 193005** TRANSMITTER DISTRIBUTOR AND CONTROLS MODULE - TD

SECTION 592-850-803

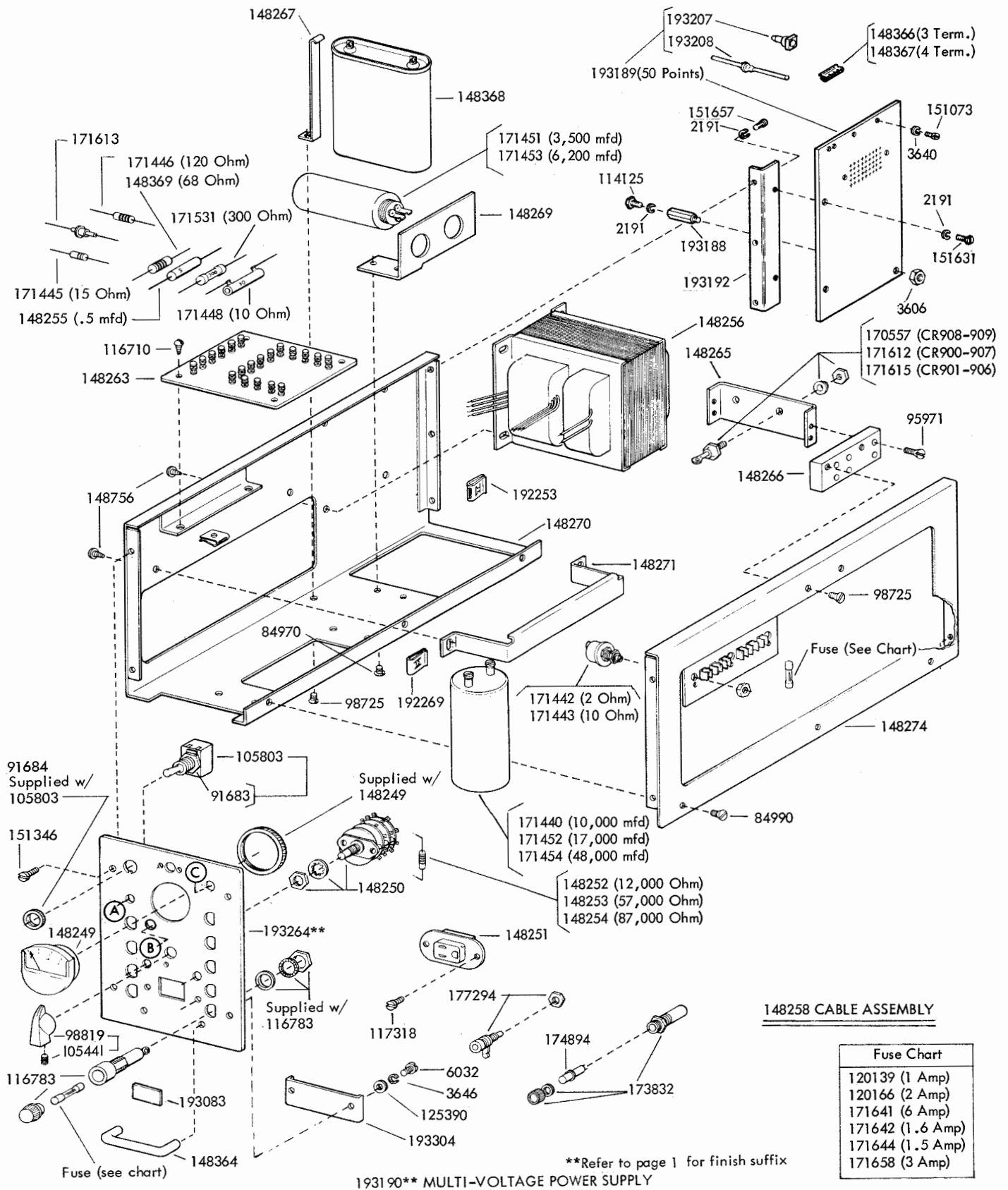
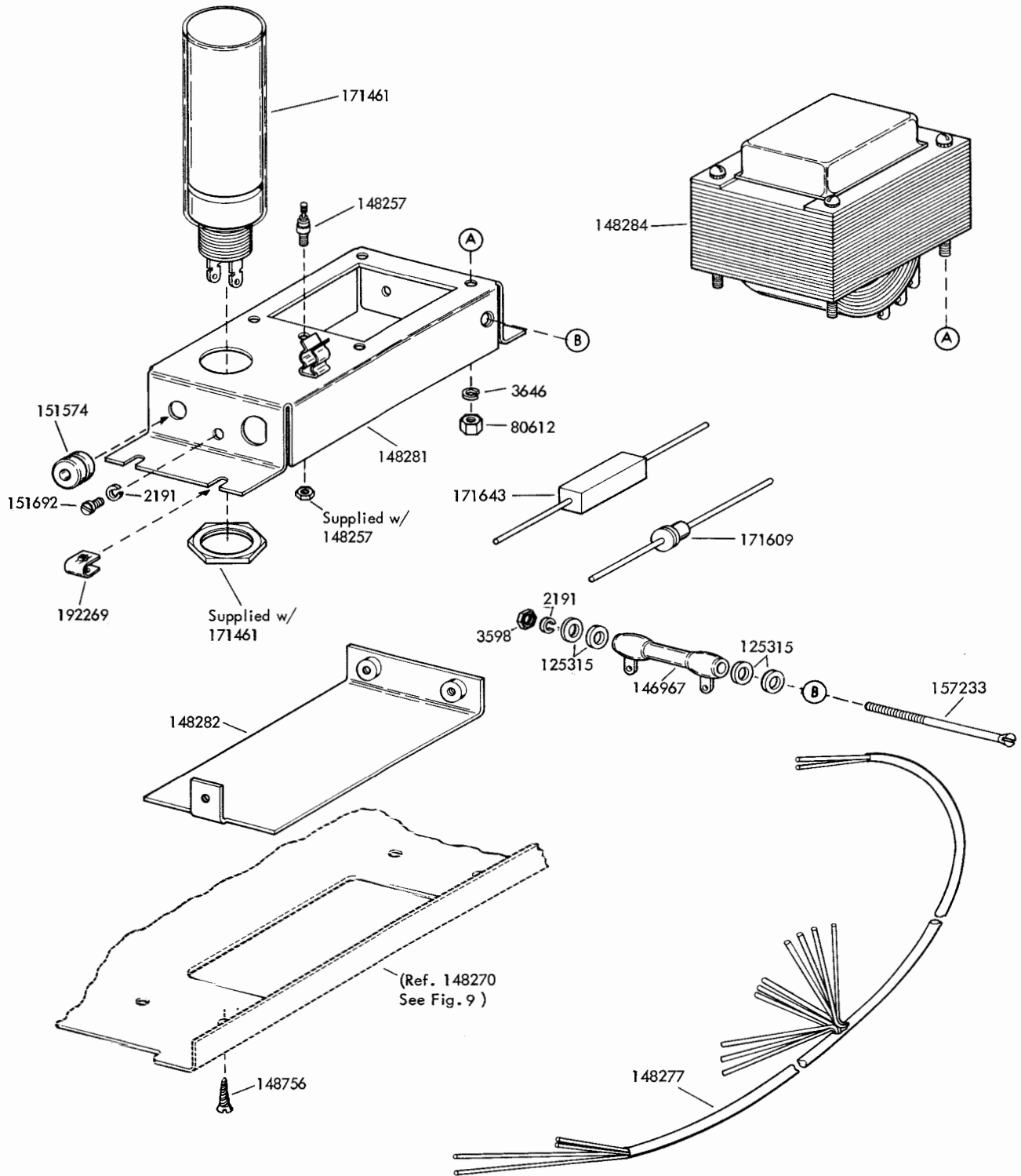


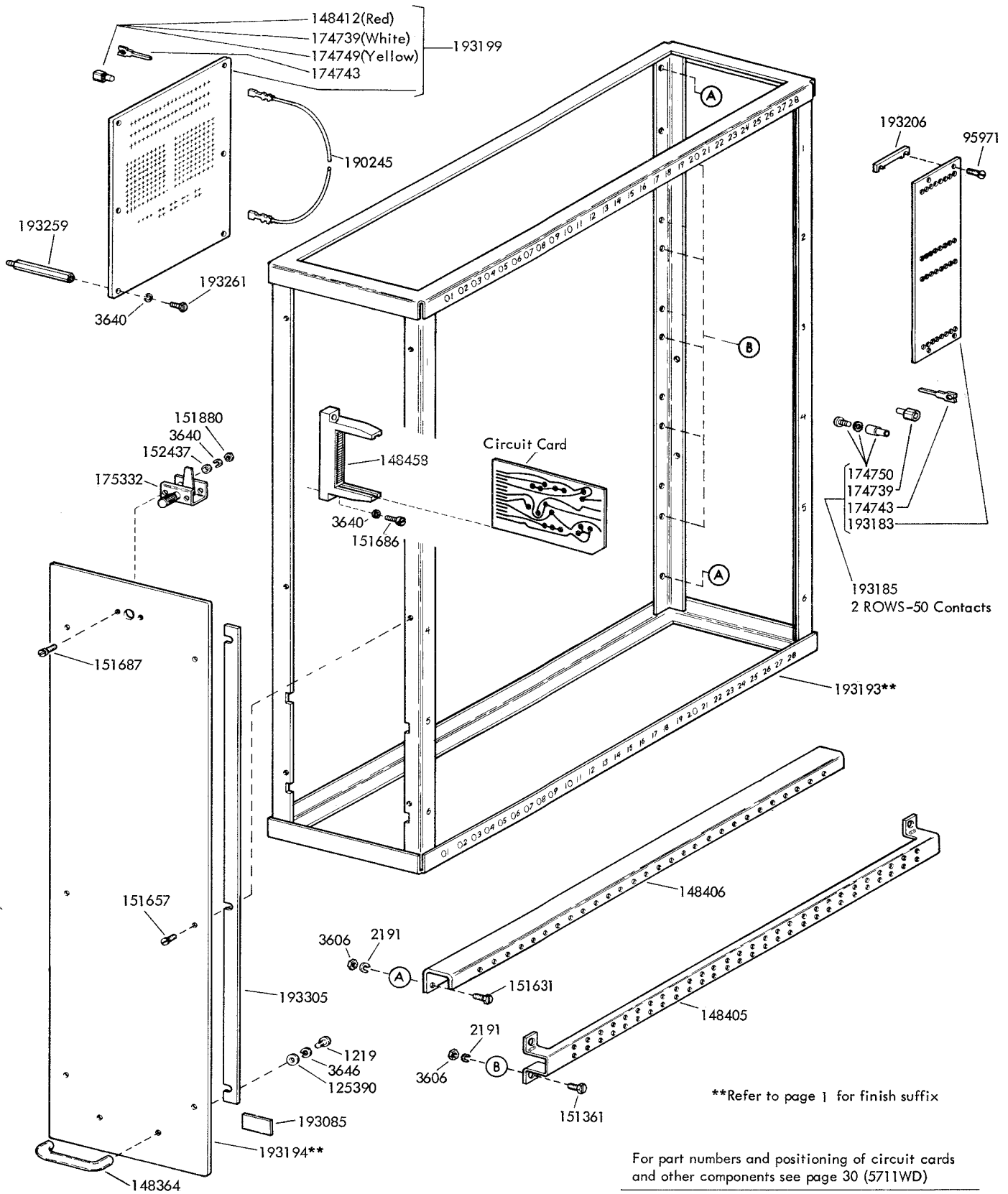
FIGURE 9. 193005** TRANSMITTER DISTRIBUTOR AND CONTROLS MODULE - TD (Continued)



193190** MULTI-VOLTAGE POWER SUPPLY (Continued)

FIGURE 10. 193005** TRANSMITTER DISTRIBUTOR AND CONTROLS MODULE - TD (Continued)

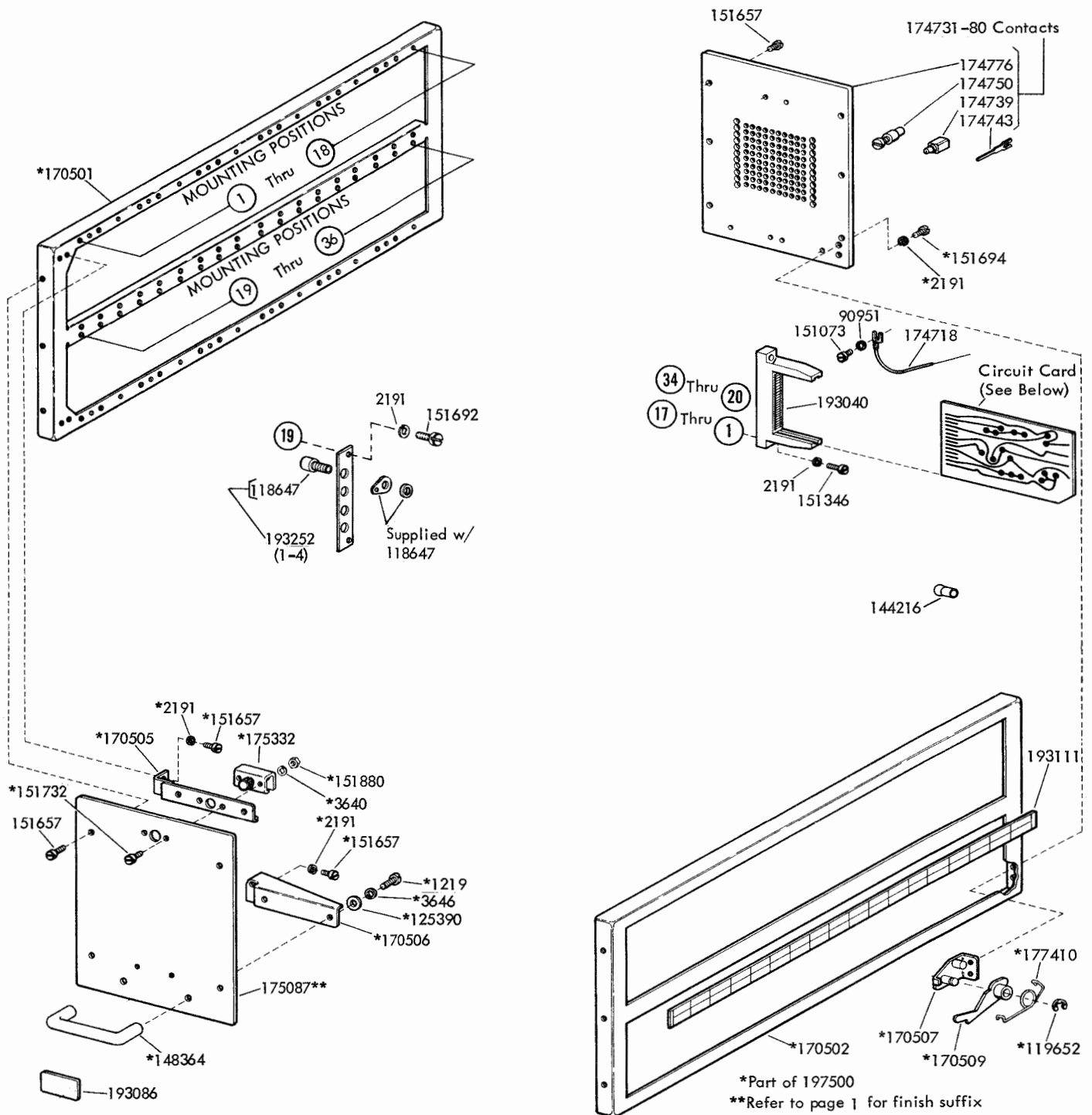
SECTION 592-850-803



**Refer to page 1 for finish suffix

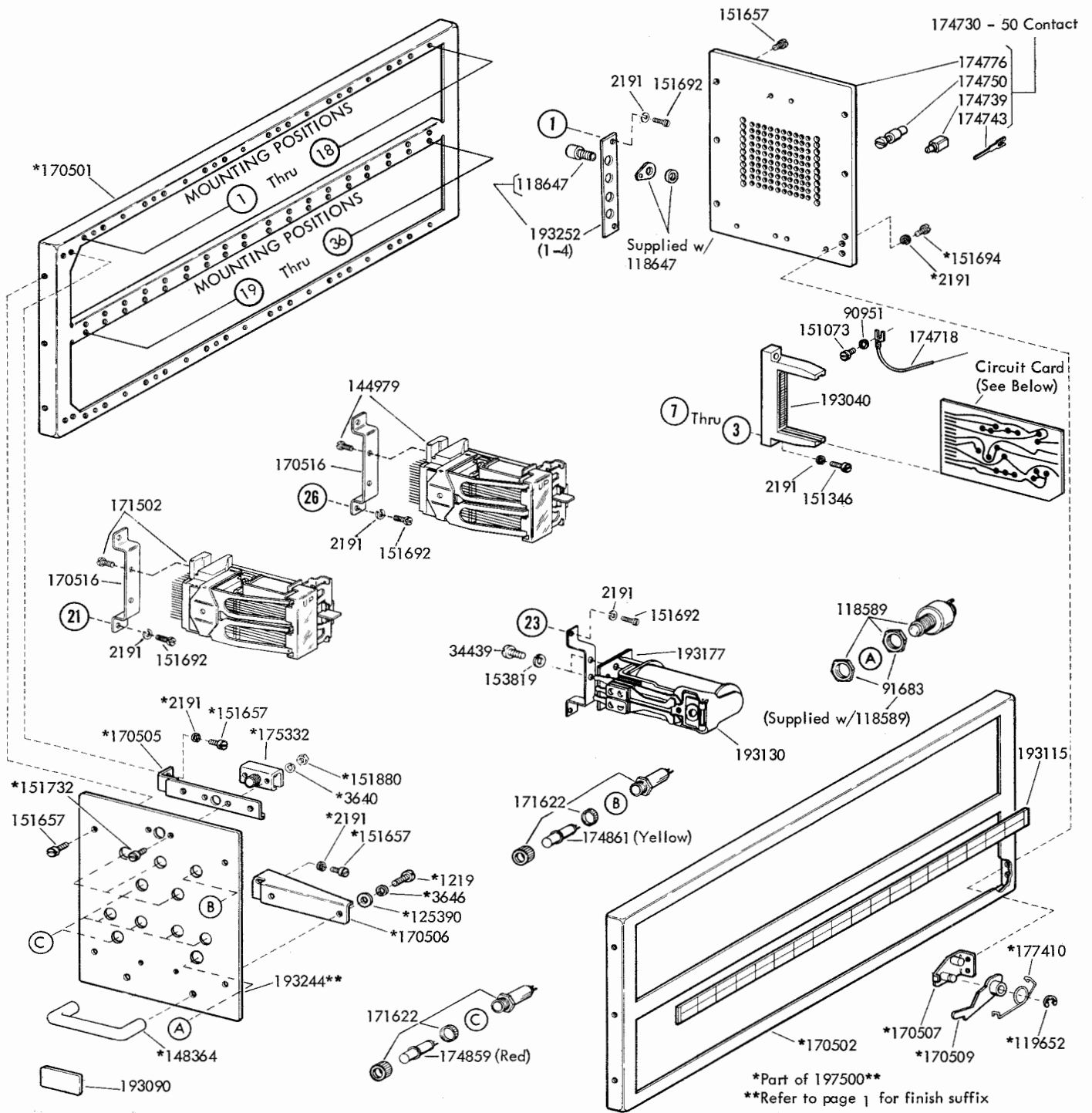
For part numbers and positioning of circuit cards and other components see page 30 (5711WD)

FIGURE 11. 193008** SEQUENCE DETECTOR MODULE - SELECTOR (1 to 60 Calls)



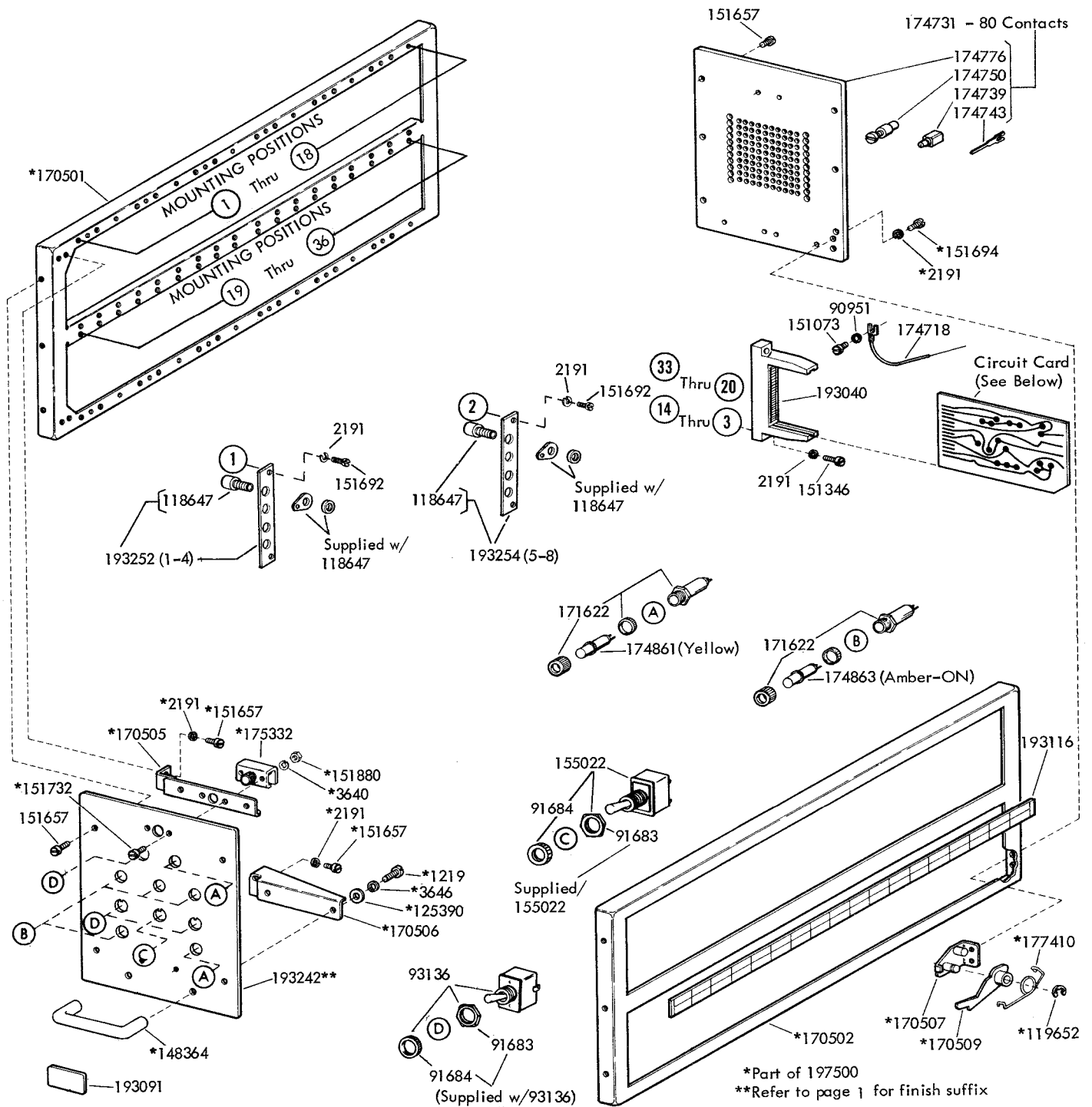
1	2	3	4	5	6	7	8	9	10	11	12	13	14	15	16	17	18
172359	172359	172359	172359	172359	172359	172359	172359	172359	172359	172359	172359	172359	172359	172359	172359	177516	
19	20	21	22	23	24	25	26	27	28	29	30	31	32	33	34	35	36
193252	177528	177527	177528	177527	177528	177527	177522	177503	172359	177540	172359	172359	177530	177572	177572	172401	

FIGURE 12. 193009** INTERCEPT CONTROL MODULE-INTCO



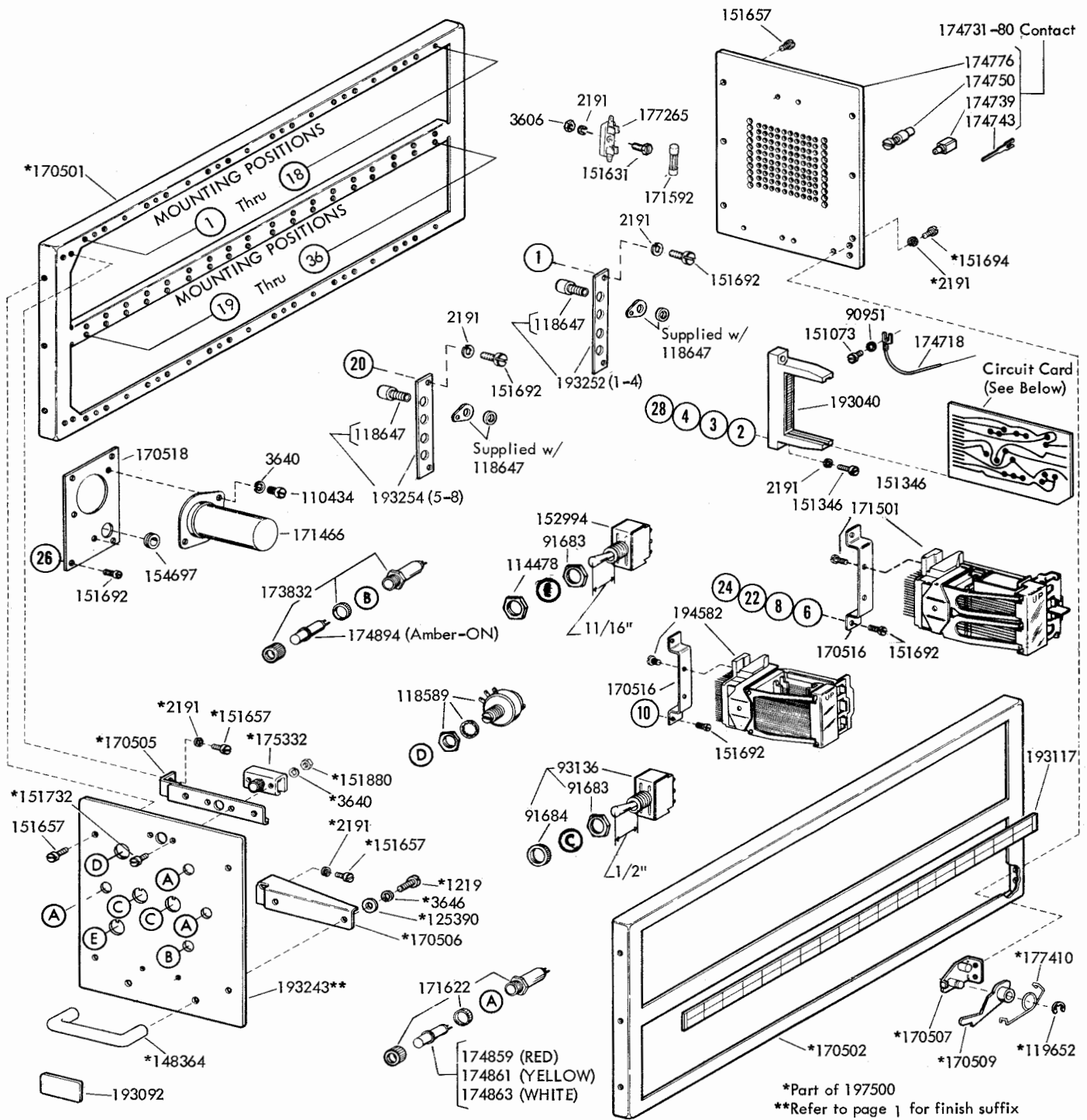
1	2	3	4	5	6	7	8	9	10	11	12	13	14	15	16	17	18
193252		172401	172390	149171	149165	149166											
19	20	21	22	23	24	25	26	27	28	29	30	31	32	33	34	35	36
		171502	193130				144979										

FIGURE 13. 193010** SPECIAL ELECTRONIC ACCESSORIES 2 L/H MODULE-SEA 2 L/H



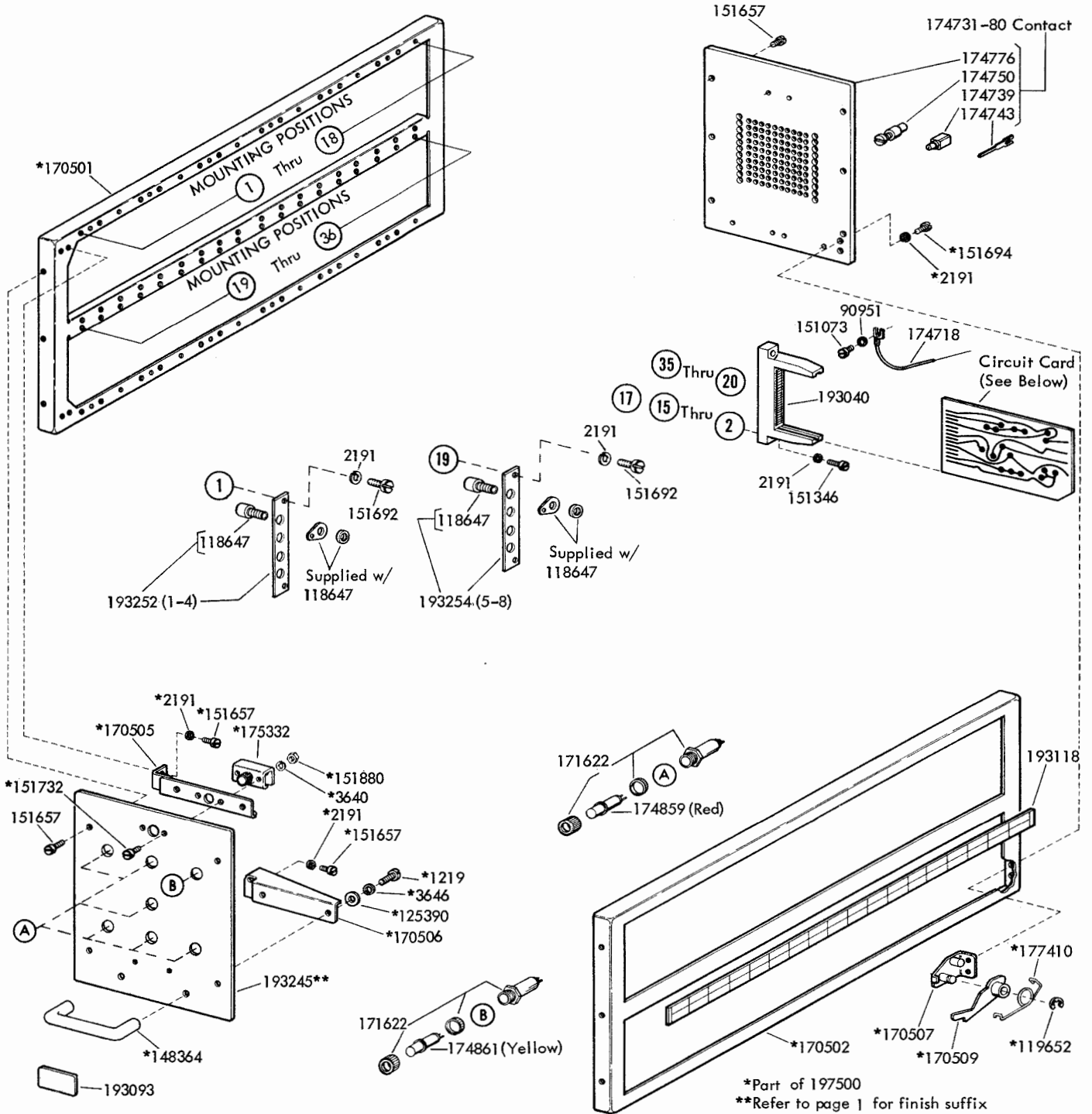
1	2	3	4	5	6	7	8	9	10	11	12	13	14	15	16	17	18
193252	193254	177502	177507	177571	172359	177504	177512	177503	172359	172359	172439	172481	172419				
19	20	21	22	23	24	25	26	27	28	29	30	31	32	33	34	35	36
	172387	177571	172419	172359	172359	172359	172359	172359	172439	172439	172439	149171	149170	177530			

FIGURE 14. 193011** SPECIAL ELECTRONIC ACCESSORIES 1 L/H MODULE-SEA 1 L/H



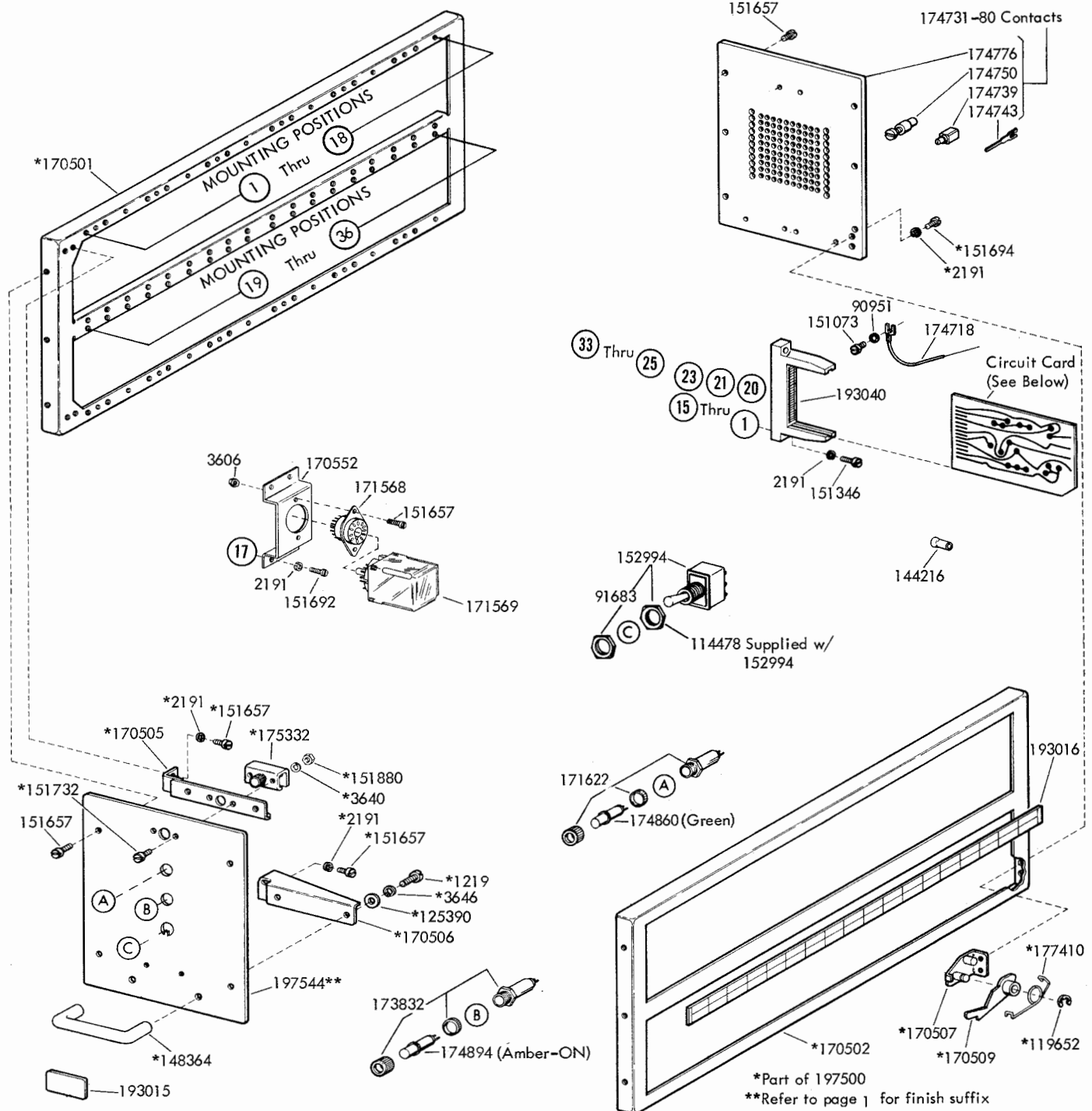
1	2	3	4	5	6	7	8	9	10	11	12	13	14	15	16	17	18
193252	149167	149168	149169		171501		171501		194582								
19	20	21	22	23	24	25	26	27	28	29	30	31	32	33	34	35	36
	193254		171501		171501		171466		149119								

FIGURE 15. 193012** SPECIAL ELECTRONIC ACCESSORIES 2 H/L MODULE-SEA 2 H/L



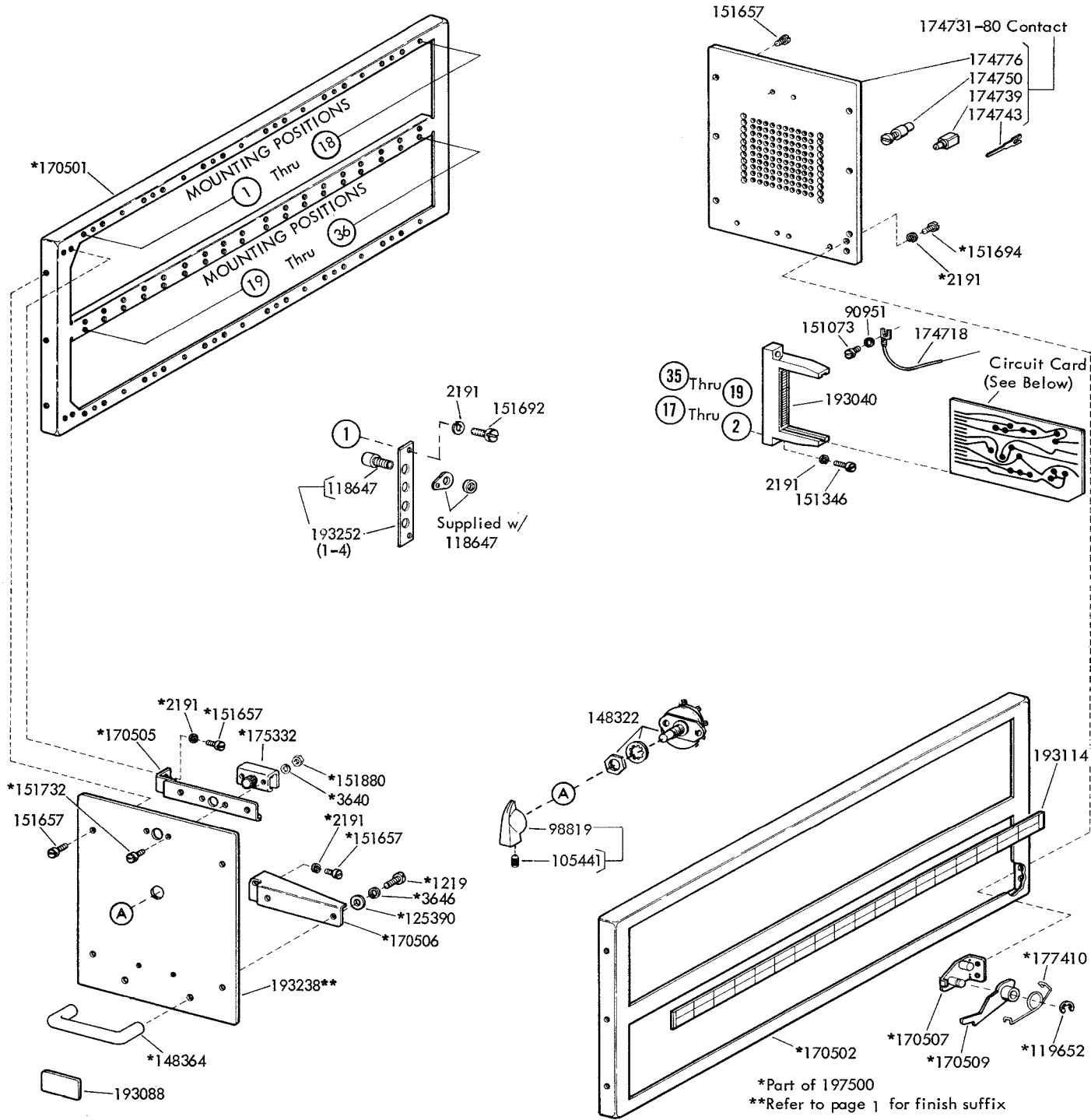
1	2	3	4	5	6	7	8	9	10	11	12	13	14	15	16	17	18
193252	149172	177504	172359	172359	172359	177528	177527	177503	177583	172439	177540	172419	177532	149171		172375	
19	20	21	22	23	24	25	26	27	28	29	30	31	32	33	34	35	36
193254	172419	177512	177583	149175	172419	172419	172359	172359	177575	177552	172419	172400	172359	177576	177530	177537	

FIGURE 16. 193013** SPECIAL ELECTRONIC ACCESSORIES 1 H/L MODULE-SEA 1 H/L



1	2	3	4	5	6	7	8	9	10	11	12	13	14	15	16	17	18
177502	177502	177572	172390	172419	177507	177507	172390	172419	172359	172490	172429	177502	172431	149144		171569	
19	20	21	22	23	24	25	26	27	28	29	30	31	32	33	34	35	36
	172419	177507		177530		177463	177464	177465	172359	172359	172481	172419	172375	172369			

FIGURE 17. 193014** HIGH SPEED READER AND ALARM CIRCUITS 2 WITH SEQUENCE DETECTION 3 MODULE-HISRAAC 2 W/SED 3

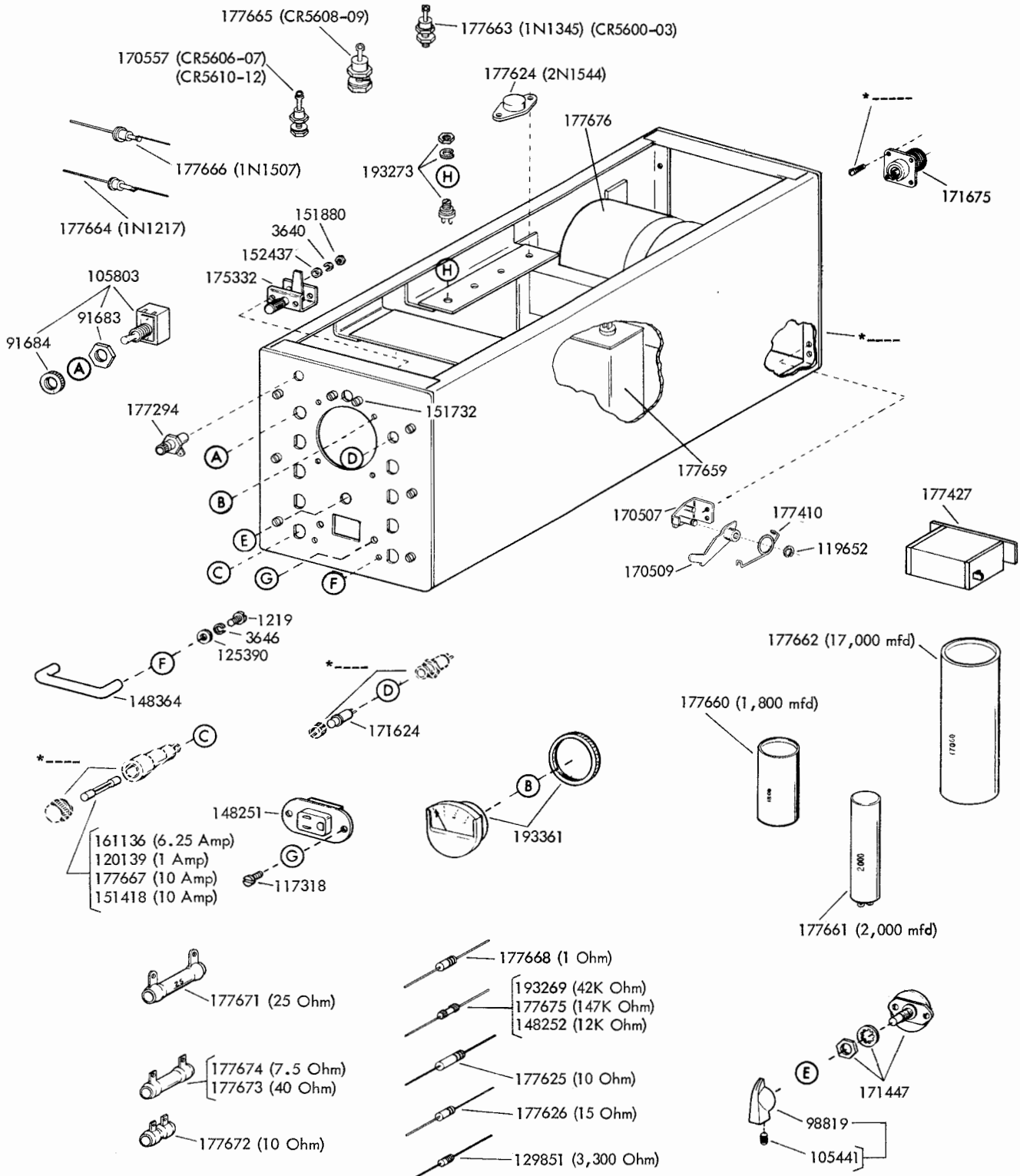


*Part of 197500
 **Refer to page 1 for finish suffix

1	2	3	4	5	6	7	8	9	10	11	12	13	14	15	16	17	18
193252	172359	172359	172359	172359	172359	172359	172359	172359	177516	177507	172469	172491	172492	177540	172359	177530	
19	20	21	22	23	24	25	26	27	28	29	30	31	32	33	34	35	36
177516	172396	172396	172396	172396	172396	177550	172396	172396	172396	177550	172385	172417	172390	172431	177572	172359	

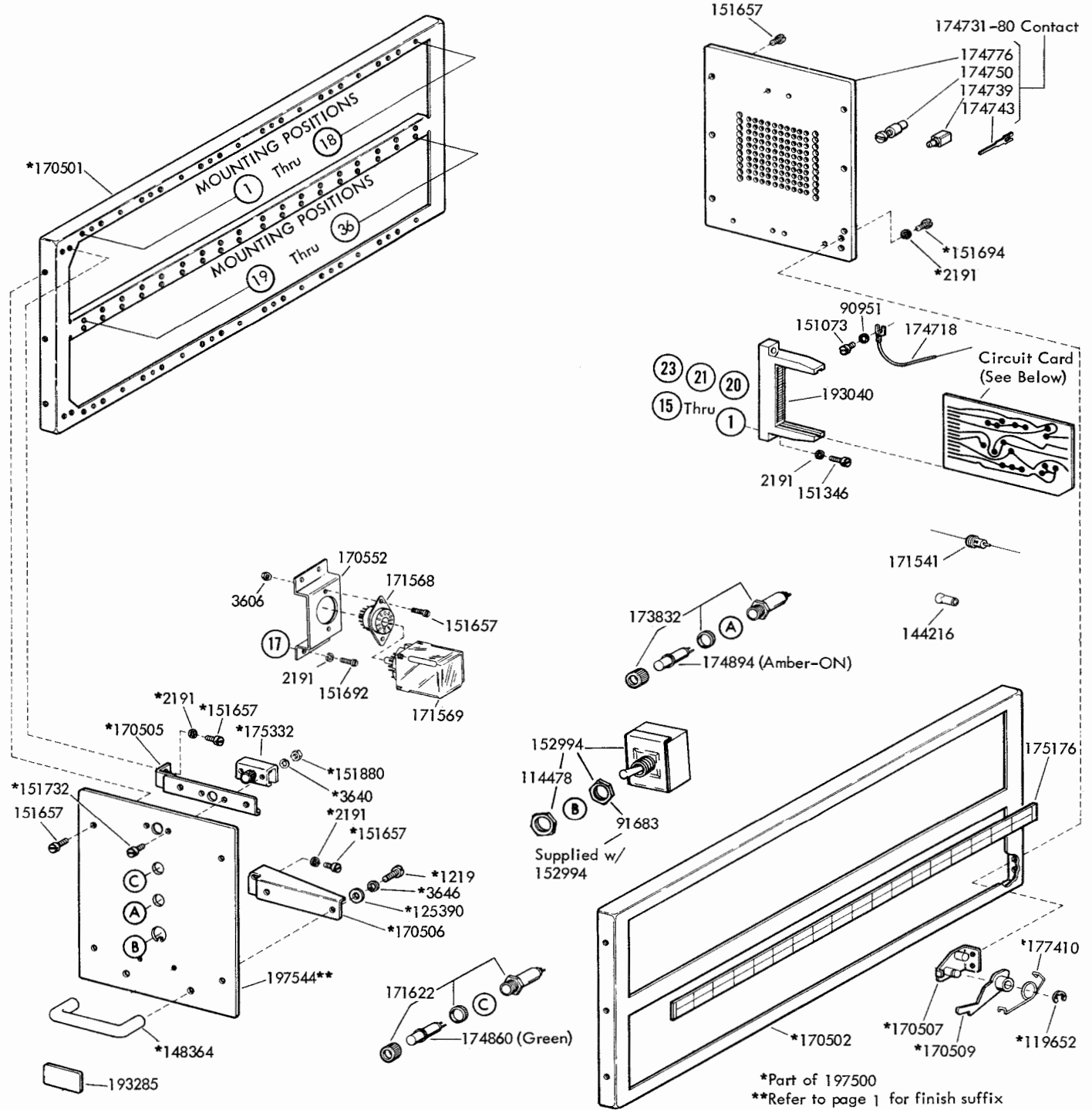
FIGURE 18. 193164** HIGH SPEED REPERFORATOR CONTROL 5 MODULE-HISRECO 5

SECTION 592-850-803



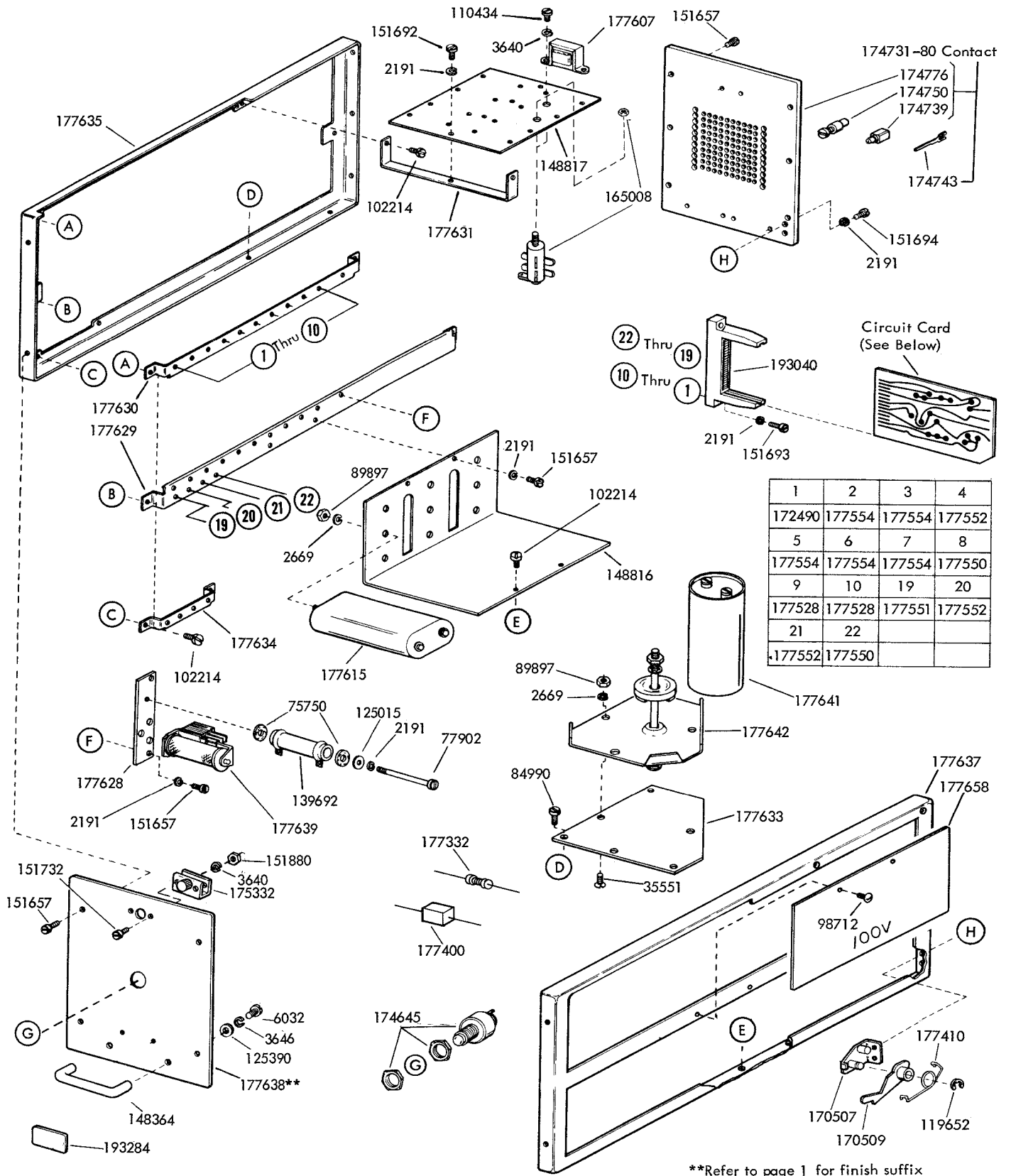
*----Replacement Part Numbers Not Assigned.

FIGURE 19. 193221** MULTI-VOLTAGE POWER SUPPLY - MVPS 4



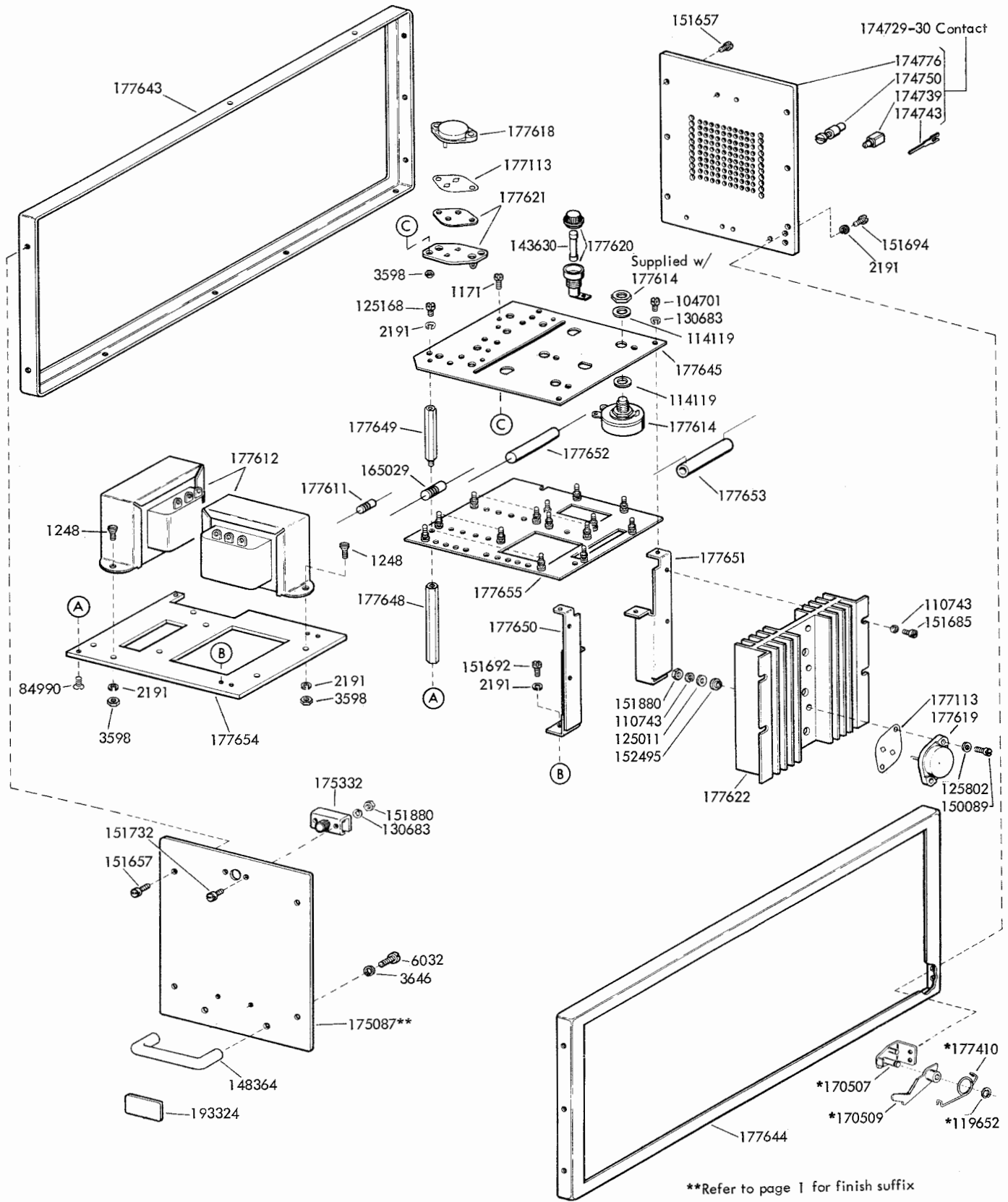
1	2	3	4	5	6	7	8	9	10	11	12	13	14	15	16	17	18
177502	177502	177572	172390	172419	177507	177507	172390	172419	172359	172490	172429	177502	172431	149144		171569	
19	20	21	22	23	24	25	26	27	28	29	30	31	32	33	34	35	36
	172419	177507		177530													

FIGURE 20. 193222** HIGH SPEED READER AND ALARM CIRCUITS 2 MODULE -HISRACC 2



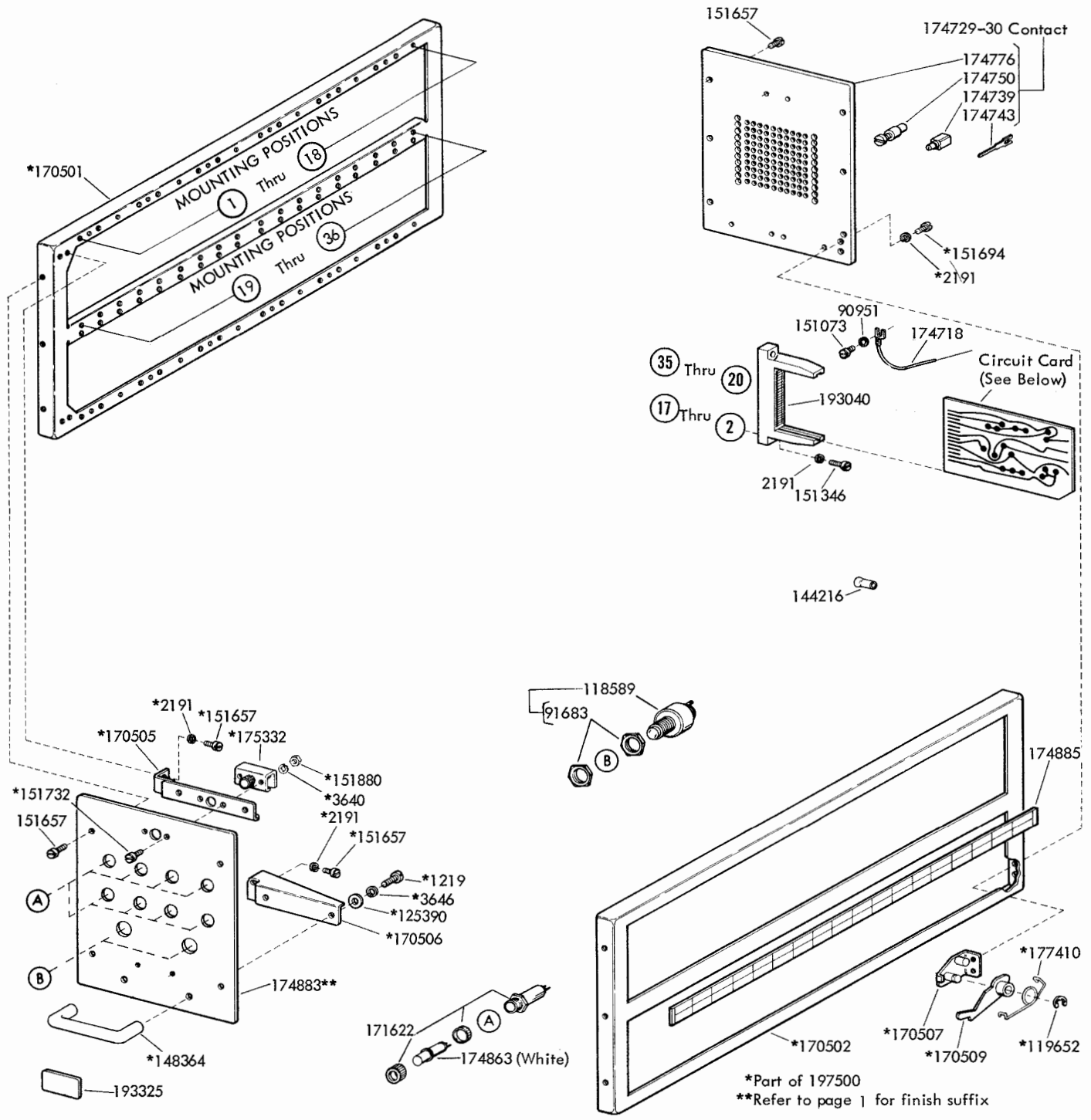
**Refer to page 1 for finish suffix

FIGURE 22. 193283** HIGH SPEED PUNCH CONTROL 3D MODULE-HISPUC 3D



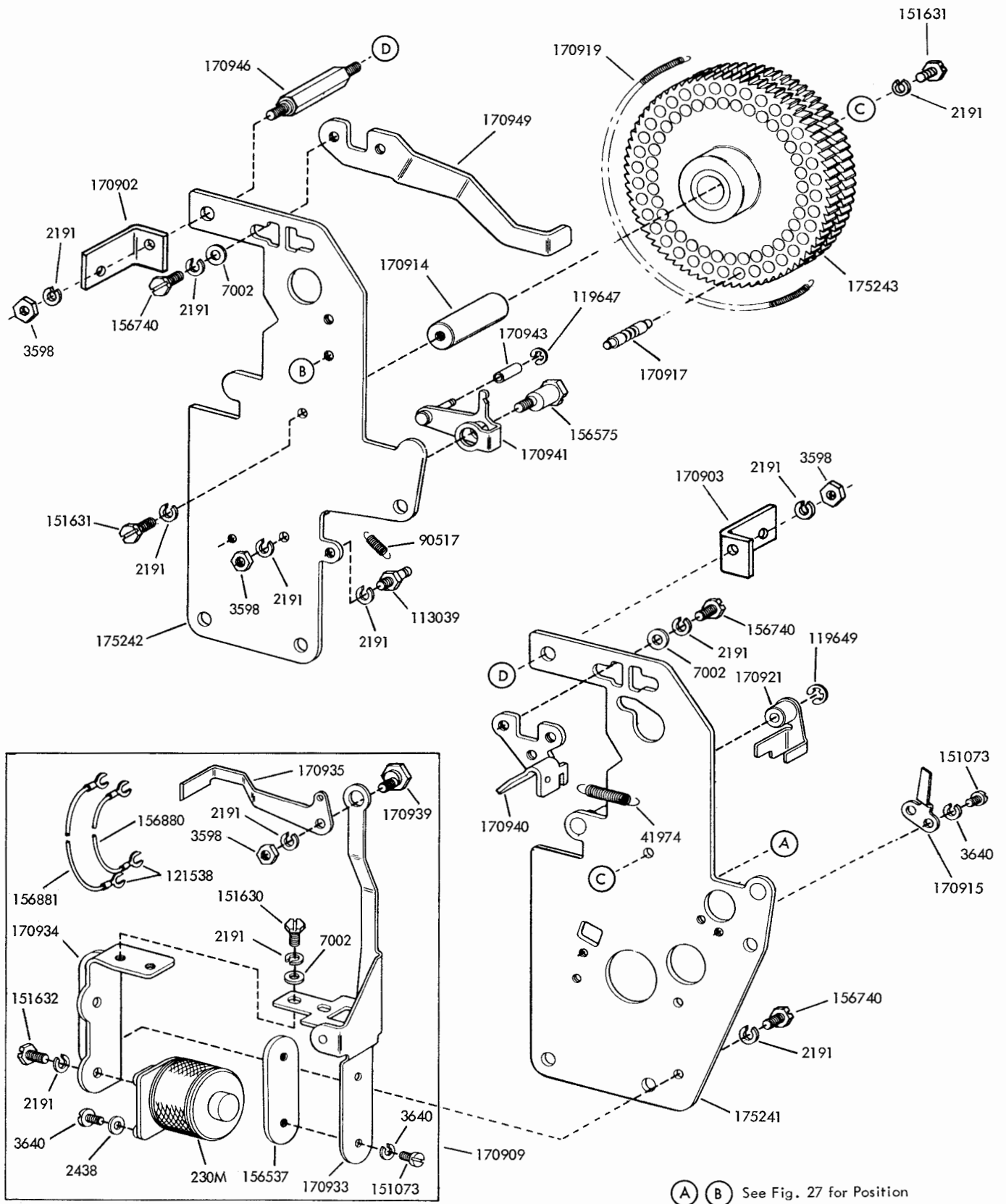
**Refer to page 1 for finish suffix

FIGURE 23. 193321** HIGH SPEED PUNCH CONTROL 4B MODULE-HISPUC 4B



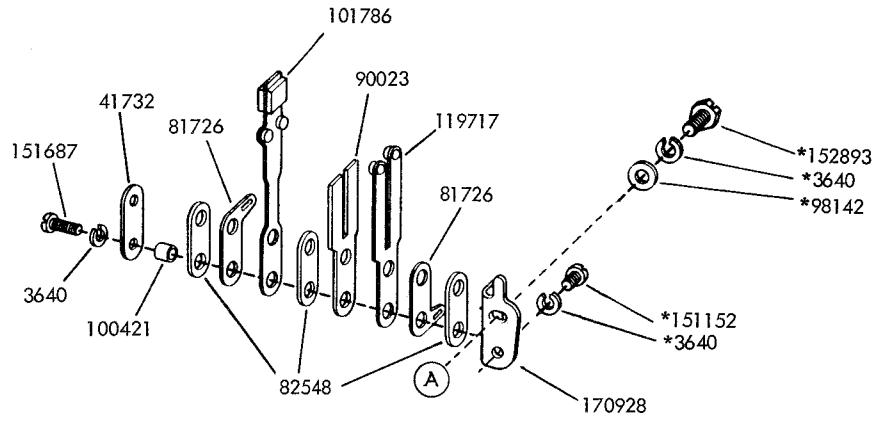
1	2	3	4	5	6	7	8	9	10	11	12	13	14	15	16	17	18
	172359	172359	172359	172359	172359	172359	172359	177501	172379	172379	149109	177506	172359	172359	172359	177501	
19	20	21	22	23	24	25	26	27	28	29	30	31	32	33	34	35	36
	172401	172386	172386	172386	172386	172386	172386	172439	172439	172439	172439	177530	172386	172386	172386	172490	

FIGURE 24. 193322** DIFFERENTIAL MESSAGE COUNTER 5 MODULE-DIMCO 5



175098 TAPE MEASURE ASSEMBLY

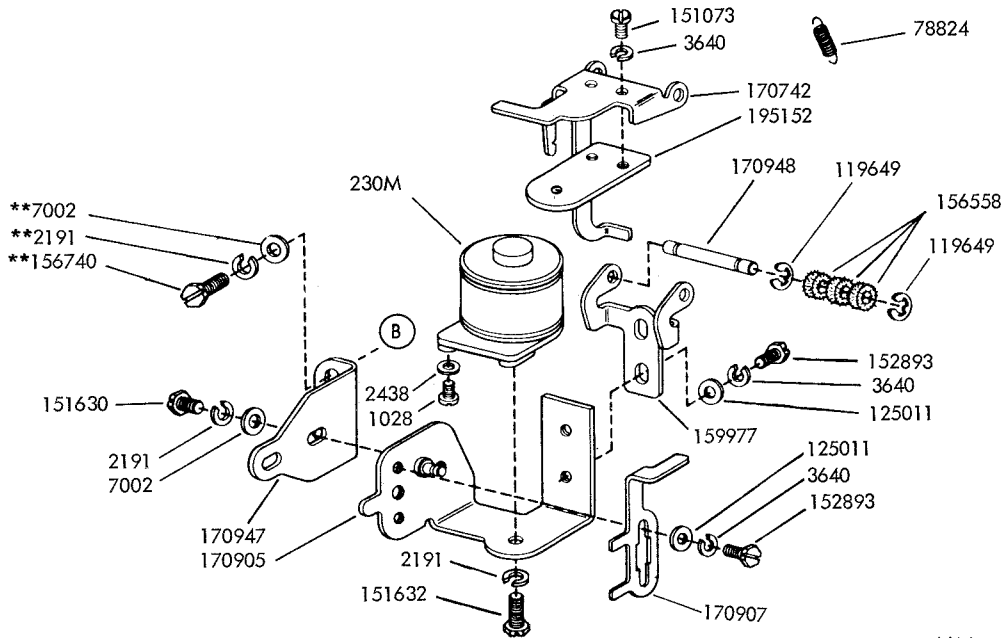
FIGURE 26. 193323** TAPE MEASURE AND COUNTER CONTROL 3 MODULE-TAMACC 3 (Continued)



170747 Contact Assembly

*Not part of 170747

(A) See Fig. 26 for Position



170910 Magnet Assembly

**Not part of 170910

(B) See Fig. 26 for Position

175098 TAPE MEASURE ASSEMBLY

FIGURE 27. 193323** TAPE MEASURE AND COUNTER CONTROL 3 MODULE-TAMACC 3 (Continued)

MODULE 193001**

POSITION ON BRACKET														
ROW	1	2	3	4	5	6	7	8	9	10	11	12	13	14
1														
2		193231 193024			193196			193260			172375	177530	177572	177572
3			171501			171501			171501		149131	149132	149133	177527
4			171501			171501			171501		172400	172400	172400	177527
5														
6														

193001**(continued)

POSITION ON BRACKET														
ROW	15	16	17	18	19	20	21	22	23	24	25	26	27	28
1									193186				193295	
2	177572	177572		172359					193186					
3	177501	177541	177542	172359	172359	172359	172359	177542	177503	172359	172359	172359	177503	172375
4	172320	172319	172350	172359	172359	172360	177504	177527	177528	177503	177501	149134	177541	
5				193029										
6				193029										

MODULE 193003**

POSITION ON BRACKET														
ROW	1	2	3	4	5	6	7	8	9	10	11	12	13	14
1	172359	172359	172359	172359	172359	172359	172359	172359	177522	177527	172359	172359	172359	172359
2			172359	177523	177501	177523	177528	177502	177528	177523	177528	177527	177528	177527
3	172375	177516	177540	172359	172359	177502	172401	172359	172527	177528	177527	177522	172307	172422
4	172359	177561	149176		177572	172359	172359	172368	177502	172380	172359	172359	177502	177523
5														
6														

193003**(continued)

POSITION ON BRACKET														
ROW	15	16	17	18	19	20	21	22	23	24	25	26	27	28
1	172359	172359	172359	172359	177527	177528	177527	177528		177528	177527			
2	172359	172359	172359	172359	172359	177528	177527	172359	172359	172359	172401			
3	172417	177502	177522	177503	172359	177504	177515	177556	177516	172359	177524	177516	177540	177516
4	177530	172412	177528	177527	149137			145095			171501			171501
5														
6														

FIGURE 28. 193001** AND 193003** POSITIONING REFERENCE CHARTS

MODULE 193005**

POSITION ON BRACKET														
ROW	1	2	3	4	5	6	7	8	9	10	11	12	13	14
1	172359	172375	177528	172401	177527	177527	177502	172359	172359	177502	172418	172417	172307	172422
2	177516	177501	177502	172359	177523	172401	177504	172359	177523	172359	177502	172355	177502	149136
3	149140	172380	172359	149140	172359	172477	172430	172401	172355	172375	172359	177542	177522	172400
4			172359	177516	172401				177540	177527	172426	177572	177528	172400
5														
6														

193005**(Continued)

POSITION ON BRACKET														
ROW	15	16	17	18	19	20	21	22	23	24	25	26	27	28
1	172359	172359	172359	172359	172359	172359	172359	172359	172359	172359	172430			
2	177527	177502	177530	177516	177524	172375	177540	177541	177516	177556	172380			
3	172407	172407	172370	177540	177502	177502	177538	177538	177538	177503	177503	177503	172409	172409
4	149137	149137			171501			171501			145095			145095
5														
6														

MODULE 193008**

POSITION ON BRACKET														
ROW	1	2	3	4	5	6	7	8	9	10	11	12	13	14
1					193199							172397	172397	172397
2												172397	172397	172397
3														
4														
5														
6														

193008**(Continued)

POSITION ON BRACKET														
ROW	15	16	17	18	19	20	21	22	23	24	25	26	27	28
1	172397	172397		172380	177530	177512	177512							193185
2	172397	172397	177504	177504	177504	177512	177512							
3														
4														
5														
6														

FIGURE 29. 193005** AND 193008** POSITIONING REFERENCE CHARTS

NUMERICAL INDEX

Part Number	Description and Page Number	Part Number	Description and Page Number	Part Number	Description and Page Number
230M	Coil, Magnet 27, 28	113039	Post 27	148282	Cover, Base Plate 11
1028	Screw (4-40 x 1/4 Fil) 28	114119	Washer, Insulating 24	148284	Transformer 11
1163	Screw (4-40 x 3/16 Fil) 3, 4, 6, 9	114125	Screw (6-40 x 3/8 Hex) 7, 10	148286**	Plate, Front 2
1171	Screw (6-32 x 3/16 Fil) 24	114478	Nut (15/32-32 Hex) 16	148289	Voltmeter 2,7
1219	Screw (8-32 x 5/16 Fil) 2, 3, 8, 12 to 22, 25, 26	116710	Screw, Self-Tapping (6 x 1/2 Rd) 2, 7, 10	148322	Switch, Rotary 8, 19
1248	Screw (6-40 x 1/2 Flat) 24	116783	Holder, Fuse 2, 7, 10	148364	Handle 2, 3, 7, 8, 10, 12 to 26
2191	Washer, Lock 2, 3, 5 to 19, 21 to 28	117318	Screw (6-32 x 1/4 Fil) 2, 7, 10, 20	148366	Clip, Jumper (3 Term.) 10
2438	Washer, Flat 27, 28	118589	Switch, Push (NO- Black) 14, 16, 25	148367	Clip, Jumper (4 Term.) 2, 7, 10
2669	Washer, Lock 4, 5, 23	118647	Connector, Red Jack 8, 13 to 17, 19, 22	148368	Capacitor (3 Mfd) 2, 7, 10
3598	Nut (6-40 Hex) 8, 11, 22, 24, 27	119647	Ring, Retaining 27	148369	Resistor (68 Ohm) 2, 7, 10
3606	Nut (6-40 Hex) 3, 6, 7, 9, 10, 12, 16, 18, 21, 24	119649	Ring, Retaining 27, 28	148405	Bracket 3, 6, 9, 12
3640	Washer, Lock 2, 3, 6 to 10, 12 to 23, 25 to 28	119652	Ring, Retaining 2, 8, 13 to 26	148406	Bracket 3, 6, 9, 12
3646	Washer, Lock 2, 3, 7, 8, 10 to 26	119717	Spring, Contact 28	148412	Insulator, Red 5, 12
6032	Screw (8-32 x 7/16 Fil) 7, 10, 23, 24	120139	Fuse (1 Amp) 2, 7, 10, 20	148458	Connector, Receptacle (15 Pin) 3, 6, 9, 12
6033	Washer, Lock 4	120166	Fuse (2 Amp) 2, 7, 10	148756	Screw, Self-Tapping (#6 x 1/2 Flat) 2, 7, 10, 11
7002	Washer, Flat 27, 28	121538	Terminal 27	148816	Bracket 23
34439	Screw (3-48 x 17/64 Fil) 14	125011	Washer, Flat 24, 28	148817	Plate 23
35551	Screw (10-32 x 3/8 Flat) 23	125129	Screw (3-48 x 3/8 Fil) 4, 5	149109	Board, Terminal 25
41732	Plate, Clamp 28	125168	Screw (6-40 x 1/4 Fil) 24	149119	Board, Terminal 16
41974	Spring 27	125223	Nut (8-32 Hex) 4	149131	Board, Terminal 29
70072	Washer, Lock 4	125315	Washer, Insulating 11	149132	Board, Terminal 29
71695	Spacer 26	125390	Washer, Flat 2, 3, 7, 8, 10, 12 to 23, 25, 26	149133	Board, Terminal 29
74036	Nut (10-32 Hex) 4	125802	Washer, Flat 24	149134	Board, Terminal 29
75750	Washer, Insulating 23	128357	Ring, Retaining 5	149136	Board, Terminal 30
77902	Screw (6-40 x 2-3/8 Rd) 23	129851	Resistor (3,300 Ohm) 20	149137	Board, Terminal 29, 30
78824	Spring 28	130683	Washer, Lock 24	149140	Board, Terminal 30
80612	Nut (8-32 Hex) 11	139692	Resistor (2,000 Ohm) 23	149144	Board, Terminal 18, 21
81726	Terminal 28	143630	Fuse (3/4 Amp) 24	149147	Board, Terminal 26
82548	Insulator (.062") 28	143675	Knob 6	149162	Board, Terminal 8, 22
84970	Nut (15/32-32 Ring) 10	144216	Terminal 8, 13, 18, 21, 25, 26	149165	Board, Terminal 14
84990	Screw (6-40 x 1/4 Flat) 2, 7, 10, 23, 24	144979	Relay (700 Ohm) 14	149166	Board, Terminal 14
89897	Nut (10-32 Hex) 23	145008	Relay 8	149167	Board, Terminal 16
90023	Post 28	145095	Relay 6, 9, 29, 30	149168	Board, Terminal 16
90517	Spring 27	146967	Resistor (750 Ohm) 11	149169	Board, Terminal 16
90951	Washer, Lock 8, 13 to 19, 21, 22, 25, 26	148249	Voltmeter 10	149170	Board, Terminal 15
91683	Nut (15/32-32 Hex) 8, 14, 15, 16, 18, 20, 21, 25	148250	Switch, Rotary 2, 7, 10	149171	Board, Terminal 14, 15, 17
91684	Nut (15/32-32 Ring) 8, 15, 16, 20	148251	Connector, Receptacle (3 Pt) 2, 7, 10, 20	149172	Board, Terminal 17
93136	Switch, Toggle(DP-DT) 8,15,16,22	148252	Resistor (12,000 Ohm) 2, 7, 10, 20	149175	Board, Terminal 17
95971	Screw (4-40 x 1/2 Flat) 2, 3, 6, 7, 9, 10, 12	148253	Resistor (57,000 Ohm) 2, 7, 10	149176	Board, Terminal 29
98142	Washer, Flat 28	148254	Resistor (87,000 Ohm) 10	150089	Screw (4-40 x 1/2 Fil) 24
98712	Screw (4-40 x 1/4 Flat) 23	148255	Capacitor (.5 Mfd) 2, 7, 10	151073	Screw (4-40 x 5/32 Fil) 7, 8, 10, 13 to 19, 21, 22, 25, 26, 27, 28
98725	Screw (6-40 x 3/8 Flat) 2, 7, 10	148256	Transformer 2, 7, 10	151152	Screw (4-40 x 3/16 Hex) 28
98819	Knob 2, 7, 8, 10, 19, 20	148257	Terminal, Insulated 11	151346	Screw (6-40 x 3/8 Fil) 2, 5, 7, 8, 10, 13 to 19, 21, 22, 25, 26
100421	Bushing 28	148258	Cable Assembly 10	151418	Fuse (10 Amp) 20
101786	Spring, Contact 28	148263	Board, Terminal 2, 10	151574	Grommet, Rubber 11
102214	Screw (6-40 x 13/64 Flat) 23	148265	Sink, Heat 2, 7, 10	151630	Screw (6-40 x 1/4 Hex) 5, 27, 28
104701	Screw (4-40 x 9/32 Fil) 24	148266	Block, Insulating 2, 7, 10	151631	Screw (6-40 x 5/16 Hex) 3, 6, 7, 9, 10, 12, 16, 27
105441	Screw, Set (8-32) 2, 7, 8, 10, 19, 20	148267	Bracket 2, 7, 10	151632	Screw (6-40 x 3/8 Hex) 27, 28
105803	Switch, Toggle 2, 7, 10, 20	148268	Plate, Front 7	151657	Screw (6-40 x 1/4 Fil) 2, 3, 6 to 10, 12 to 19, 21 to 26
110434	Screw (4-40 x 3/16 Fil) 16, 23	148269	Bracket 2, 7, 10	151685	Screw (4-40 x 5/16 Fil) 2, 24
110743	Washer, Lock 3, 4, 24	148270	Frame, Left 2, 7, 10	151686	Screw (4-40 x 3/8 Fil) 3, 6, 9, 12
112206	Washer, Flat 22	148271	Bracket 2, 7, 10	151687	Screw (4-40 x 7/16 Fil) 3, 6, 9, 28
112626	Nut (10-32 Hex) 4, 5	148272	Frame, Right 7, 10	151692	Screw (6-40 x 3/16 Fil) 8, 11, 13 to 19, 21 to 24
		148277	Cable 11	151693	Screw (6-40 x 9/16 Fil) 23
		148278**	Module Assembly 2	151694	Screw (6-40 x 11/32 Fil) 2, 8, 13 to 19, 21 to 26
		148279	Cable 2, 7		
		148281	Cover, Rectifier 11		

NUMERICAL INDEX

Part Number	Description and Page Number	Part Number	Description and Page Number	Part Number	Description and Page Number
151732	Screw (4-40 x 11/32 Fil) 8 11 to 26	170943	Roller 27	172401	Card, Circuit (EC401) 14, 25, 26, 29, 30
151880	Nut (4-40 Hex) 2, 3, 6, 8, 9, 12 to 26	170946	Shaft 27	172407	Card, Circuit (EC407) 30
152437	Spacer 3, 6, 9, 12, 20	170947	Bracket 28	172409	Card, Circuit (EC409) 30
152495	Bushing 24	170948	Shaft 28	172412	Card, Circuit (EC412) 29
152893	Screw (4-40 x 1/4 Hex) 28	170949	Bracket, Stop 27	172417	Card, Circuit (EC 417) 19, 29, 30
152994	Switch, Toggle (TP-DT) 16, 18, 21	171440	Capacitor (10,000 Mfd) 2, 7, 10	172418	Card, Circuit (EC418) 30
153819	Washer, Lock 14	171442	Rheostat (2 Ohm) 2, 7, 10	172419	Card, Circuit (EC 419) 15, 17, 18, 21, 26
154697	Grommet, Rubber 16	171443	Rheostat (10 Ohm) 2, 7, 10	172422	Card, Circuit (EC 422) 29, 30
155022	Switch, Toggle (DP-DT) 15	171445	Resistor (15 Ohm) 2, 7, 10	172426	Card, Circuit (EC426) 30
156537	Armature 27	171446	Resistor (120 Ohm) 2, 7, 10	172429	Card, Circuit (EC 429) 18, 21, 26
156558	Washer, Felt 28	171447	Switch, Rotary 20	172430	Card, Circuit (EC430) 30
156575	Screw, Eccentric Shoulder (6-40) 27	171448	Resistor (10 Ohm) 2, 7, 10	172431	Card, Circuit (EC 431) 8, 18, 19, 21
156740	Screw (6-40 x 7/32 Hex) 27, 28	171451	Capacitor (3,500 Mfd) 2, 7, 10	172439	Card, Circuit (EC439) 15, 17, 25
156880	Jumper (1-3/8 Black) 27	171452	Capacitor (17,000 Mfd) 2, 7, 10	172469	Card, Circuit (EC469) 19
156881	Jumper (1-1/2" Black) 27	171453	Capacitor (6,200 Mfd) 2, 7, 10	172477	Card, Circuit (EC477) 30
157233	Screw (6-40 x 2-3/8 Flat) 11	171454	Capacitor (48,000 Mfd) 2, 7, 10	172481	Card, Circuit (EC 481) 15, 18
158601	Connector, Plug (14 Pt) 5	171461	Capacitor (900 Mfd) 11	172490	Card, Circuit (EC 490) 18, 21, 23, 25, 26
158602	Connector, Receptacle (14 Pt) 4	171466	Capacitor (300 Mfd) 16	172491	Card, Circuit (EC491) 19
159977	Hinge 28	171501	Relay 3, 6, 16, 29, 30	172492	Card, Circuit (EC492) 19
160859	Terminal 8, 22	171502	Relay 8, 14, 22	173832	Holder, Lamp 2, 7, 10, 16, 18, 21
161136	Fuse (6-1/4 Amp SL-BL) 20	171531	Resistor (3,000 Ohm) 2, 7, 10	174230	Bracket, Mounting 22
161657	Plate, Identification 22	171541	Diode 21	174645	Switch, Push (4P-DT Black) 23
165008	Turret 23	171547	Capacitor (.005 Mfd) 26	174718	Jumper (4" Black) 8, 13 to 19, 21, 22, 25, 26
165027	Network, Spark Suppression 4	171567	Socket (11 Pt) 18, 21	174729	Plate Assembly (30 Pt) 24, 25, 26
165029	Resistor (3,300 Ohm) 24	171569	Relay 18, 21	174730	Plate Assembly (50 Pt) 2, 8 14
165053	Cushion, Rubber (Red) 4	171592	Fuse 1/2 Amp 16	174731	Plate Assembly (80 Pt) 13, 15 to 19, 21, 23
165054	Cushion, Rubber (Black) 4	171609	Diode 11	174739	Insulator, White 2, 3, 5, 6, 8, 9, 12 to 19, 21 to 26
170501	Frame, Left 8, 9, 13 to 19, 21, 22, 25, 26	171612	Diode 2, 7, 10	174743	Terminal, Plug Type 2, 3, 6, 8, 9, 12 to 19, 21 to 26
170502	Frame, Right 8, 13 to 19, 21, 22, 25, 26	171613	Diode 2, 7, 10	174749	Insulator, Yellow 5, 12
170505	Gusset, Upper 8, 13 to 19, 21, 22, 25, 26	171615	Diode 2, 7, 10	174750	Key Assembly 2, 3, 6, 8, 9, 12 to 19, 21 to 26
170506	Gusset, Lower 8, 13, 14, 15, 18, 19, 21, 22, 25, 26	171622	Holder, Lamp 14 to 18, 21, 25	174776	Plate, Connector 2, 8, 13 to 19, 21 to 26
170507	Bracket, Latch 2, 8, 13 to 26	171624	Cartridge, Lamp (Amber - On) 20	174795N	Screw (6-40 x 1/4 Fil) 5
170509	Latch w/Hub 2, 8, 13 to 26	171641	Fuse (6 Amp) 2, 7, 10	174859	Lamp, Red 14, 16, 17
170516	Bracket 3, 6, 8, 9, 14, 16, 22	171642	Fuse (1.6 Amp) 2, 7, 10	174860	Lamp, Green 18, 21
170518	Plate, Mounting 16	171643	Connector, Plug (3 Pt) 11	174861	Lamp, Yellow 14, 15, 16, 17
170552	Bracket, Mounting 18, 21	171644	Fuse (1.5 Amp) 10	174863	Lamp, White 15, 16, 25
170557	Diode 2, 7, 10, 20	171658	Fuse (3 Amp) 2, 7, 10	174883**	Plate, Front 25
170742	Bail, Right Armature 28	171675	Connector, Plug (3 Pt) 20	174885	Strip, Identification 25
170747	Contact Assembly, Lower 28	172307	Card, Circuit (EC 307) 29, 30	174894	Lamp, Amber (ON) 2, 7, 10, 16, 18, 21
170902	Bracket, Left Mounting 27	172319	Card, Circuit (EC319) 29	175087**	Plate, Front 13, 24
170903	Bracket, Right Mounting 27	172320	Card, Circuit (EC320) 29	175098	Measure Assembly, Tape 26, 27, 28
170905	Bracket, w/Stud 28	172350	Card, Circuit (EC350) 29	175176	Bracket, Retaining 21
170907	Plate, Adjusting 28	172355	Card, Circuit (EC355) 30	175241	Plate, Rear 27
170909	Magnet Assembly 27	172359	Card, Circuit (EC359) 8, 13, 15, 17, 18, 19, 21, 22, 25, 26, 29, 30	175242	Plate, Front 27
170910	Magnet Assembly 28	172360	Card, Circuit (EC 360) 29	175243	Ratchet (72 T) 27
170914	Shaft 27	172368	Card, Circuit (EC 368) 29	175332	Fastener 2, 3, 6, 8, 9, 12 to 26
170915	Plate, Reset 27	172369	Card, Circuit (EC369) 18	177113	Insulator 24
170917	Pin, Detent 27	172370	Card, Circuit (EC370) 30	177228	Switch, Push (Black) 26
170919	Spring, Tension 27	172375	Card, Circuit (EC375) 17, 18, 26, 29, 30	177265	Block, Fuse 16
170921	Lever w/Hub 27	172378	Card, Circuit (EC378) 8		
170928	Bracket, Contact 28	172379	Card, Circuit (EC379) 25		
170933	Bail, Armature 27	172380	Card, Circuit (EC 380) 29, 30		
170934	Bracket 27	172385	Card, Circuit (EC 385) 19		
170935	Pawl, Feed 27	172386	Card, Circuit (EC 386) 25		
170939	Screw, Eccentric (6-40) 27	172387	Card, Circuit (EC387) 15		
170940	Bracket, Guide 27	172390	Card, Circuit (EC 390) 8, 14, 18, 19, 21		
170941	Bail, Detent 27	172396	Card, Circuit (EC 396) 19		
		172397	Card, Circuit (EC397) 30		
		172400	Card, Circuit (EC400) 17, 29, 30		

NUMERICAL INDEX

Part Number	Description and Page Number	Part Number	Description and Page Number	Part Number	Description and Page Number
177294	Jack, Banana (Black) 2, 6, 7, 9, 10, 20	177619	Diode 24	193014**	Module Assembly 18
177326	Strip, Identification 26	177620	Holder, Fuse 24	193015	Plate, Identification 18
177332	Capacitor (.002 Mfd) 23	177621	Socket, Power Transistor 24	193016	Strip, Identification 18
177391**	Plate, Front 26	177622	Sink, Heat 24	193024	Capacitor (275 Mfd) 3, 29
177400	Capacitor (1 Mfd) 23	177624	Transistor 20	193028	Connector, Plug (50 Pt) 4, 5
177410	Spring, Latch 2, 8, 13 to 26	177625	Resistor (10 Ohm) 20	193029	Connector, Receptacle (50 Pt) 4, 29
177427	Filter (5 Amp) 20	177626	Resistor (15 Ohm) 20	193030	Programming Assembly 5
177463	Card, Circuit (EC463) 18	177628	Plate 23	193031	Card, Circuit (EC031) 5
177464	Card, Circuit (EC464) 18	177629	Bracket 23	193032	Card, Circuit (EC032) 5
177465	Card, Circuit (EC465) 18	177630	Bracket 23	193038	Base 5
177501	Card, Circuit (EC 501) 25, 26, 29, 30	177631	Bracket 23	193039	Plate, Side 5
177502	Card, Circuit (EC502) 15, 18, 29, 30	177633	Plate 23	193040	Connector w/Guide Slot 8, 13 to 19, 21 to 23, 25, 26
177503	Card, Circuit (EC503) 8, 13, 15, 17, 22, 29, 30	177634	Bracket 23	193044	Bracket, Mounting 5
177504	Card, Circuit (EC504) 15, 17, 22, 29, 30	177635	Frame, Left 23	193045	Foot, Locating 5
177506	Card, Circuit (EC506) 25, 26	177637	Frame, Right 23	193046	Foot, Locating 5
177507	Card, Circuit (EC507) 15, 18, 19, 22	177638**	Plate, Front 23	193049	Screw, Captive (1/4-20 x 3-5/8) 5
177511	Card, Circuit (EC511) 26	177639	Relay 23	193051	Post 5
177512	Card, Circuit (EC512) 15, 17	177641	Capacitor (1750 Mfd) 23	193054	Plate, Stepping Switch 4
177513	Card, Circuit (EC513) 26	177642	Bracket, Capacitor 23	193057	Plate 4
177515	Card, Circuit (EC 515) 29	177643	Frame, Left Module 24	193058	Cover 5
177516	Card, Circuit (EC516) 13, 19, 29, 30	177644	Frame, Right Module 24	193062	Patchcord (1-1/4" Lg) 5
177522	Card, Circuit (EC522) 13, 29	177645	Plate 24	193063	Patchcord (3" Lg) 5
177523	Card, Circuit (EC 523) 29, 30	177648	Spacer 24	193064	Patchcord (5" Lg) 5
177524	Card, Circuit (EC524) 29, 30	177649	Post 24	193065	Patchcord (7" Lg) 5
177527	Card, Circuit (EC527) 8, 13, 17, 29, 30	177650	Gusset, Left 24	193066	Patchcord (8" Lg) 5
177528	Card, Circuit (EC528) 8, 13, 17, 23, 29, 30	177651	Gusset, Right 24	193075	Foot, Mounting 4
177530	Card, Circuit (EC530) 8, 13, 15, 17, 18, 19, 21, 22, 25, 26, 29, 30	177652	Resistor (6 Ohm) 24	193081	Plate, Identification 8
177532	Card, Circuit (EC532) 17	177653	Resistor (500 Ohm) 24	193081	Plate, Identification 8
177537	Card, Circuit (EC537) 17	177654	Plate 24	193086	Plate, Identification 13
177538	Card, Circuit (EC538) 30	177655	Board, Terminal 24	193088	Plate, Identification 19
177540	Card, Circuit (EC540) 8, 13, 17, 19, 22, 29, 30	177658	Board 23	193090	Plate, Identification 14
177541	Card, Circuit (EC541) 29	177659	Capacitor (8 Mfd) 20	193091	Plate, Identification 15
177542	Card, Circuit (EC542) 8, 22, 29, 30	177660	Capacitor (1,800 Mfd) 20	193092	Plate, Identification 16
177550	Card, Circuit (EC550) 19, 23	177661	Capacitor (2,000 Mfd) 20	193093	Plate, Identification 17
177551	Card, Circuit (EC551) 23	177662	Capacitor (17,000 Mfd) 20	193094	Plate, Identification 22
177552	Card, Circuit (EC552) 8, 17, 23	177663	Diode 20	193110	Strip, Identification 8
177554	Card, Circuit (EC554) 23	177664	Diode 20	193111	Strip, Identification 13
177556	Card, Circuit (EC556) 29, 30	177665	Diode 20	193114	Strip, Identification 19
177561	Card, Circuit (EC561) 22	177666	Diode 20	193115	Strip, Identification 14
177562	Card, Circuit (EC562) 22	177667	Fuse (10 Amp) 20	193116	Strip, Identification 15
177571	Card, Circuit (EC571) 15, 22	177668	Resistor (1 Ohm) 20	193117	Strip, Identification 16
177572	Card, Circuit (EC572) 8, 13, 18, 19, 21, 29, 30	177671	Resistor (25 Ohm) 20	193118	Strip, Identification 17
177575	Card, Circuit (EC575) 8, 17	177672	Resistor (10 Ohm) 20	193119	Strip, Identification 22
177576	Card, Circuit (EC576) 17, 22	177673	Resistor (40 Ohm) 20	193130	Relay 14
177581	Card, Circuit (EC581) 8, 22	177674	Resistor (7.5 Ohm) 20	193138	Bracket, Capacitor 3
177583	Card, Circuit (EC583) 17	177675	Resistor (147K Ohm) 20	193164**	Module Assembly 19
177607	Coil, Choke 23	177676	Reactor 20	193171**	Plate, Front 8
177611	Rectifier 24	178872	Sleeve, Insulating (1/16 ID x 1-1/4 Lg) 4	193172	Plate, Backup 8
177612	Coil, Choke 24	190245	Patchcord 12	193173	Flasher 8, 22
177614	Rheostat (25 Ohm) 24	190257	Terminal 5	193177	Spacer, Relay 14
177615	Capacitor (5.5 Mfd) 23	192253	Nut, Speed (#6) 2, 7, 10	193178	Switch, Illuminated Push 6
177618	Transistor, Power 24	192269	Nut, Speed (#6-32) 2, 7, 10, 11	193179	Lamp 6
		193001**	Module Assembly 3 to 5, 29	193180	Plate, Mounting 8, 22
		193002	Switch Assembly, Stepping 4	193183	Plate, Connector 3, 6, 9, 12
		193003**	Module Assembly 6, 7, 29	193184	Plate, Connector 6
		193004**	Module Assembly 8	193185	Plate, Connector 12, 30
		193005**	Module Assembly 9, 10, 11, 30	193186	Plate, Connector 3, 9, 29
		193008**	Module Assembly 12, 30	193187**	Module Assembly 7
		193009**	Module Assembly 13	193188	Post 7, 10
		193010**	Module Assembly 14	193189	Plate, Connector (50 Pt) 7, 10
		193011**	Module Assembly 15	193190**	Module Assembly 10, 11
		193012**	Module Assembly 16	193191**	Plate, Front 9
		193013**	Module Assembly 17		

NUMERICAL INDEX

Part Number	Description and Page Number	Part Number	Description and Page Number	Part Number	Description and Page Number
193192	Bracket, Mounting 7, 10	193242**	Plate, Front 15	193284	Plate, Identification 23
193193**	Frame, Module 3, 6, 9, 12	193243**	Plate, Front 16	193285	Plate, Identification 21
193194**	Plate, Front 3, 12	193244**	Plate, Front 14	193295	Plate, Connector 3
193195	Plate Assembly, Mounting 4	193245**	Plate, Front 17	193304	Bracket, Mounting 10
193196	Capacitor (25 Mfd) 3, 29	193252	Plate w/Jacks (1-4) 8, 13 to 17, 19, 22	193305	Spacer 3, 12
193199	Board, Program 12, 30	193254	Plate w/Jacks (5-8) 8, 15, 16, 17, 22	193306	Spacer 6, 9
193204	Switch, Wafer 6	193256	Bracket, Mounting 3	193321**	Module Assembly 24
193206	Spacer 3, 6, 9, 12	193259	Post 12	193322**	Module Assembly 25
193207	Bushing 7, 10	193260	Potentiometer (1,000 Ohm) 3, 29	193323**	Module Assembly 27, 28
193208	Terminal 7, 10	193261	Screw (4-40 x 21/64 Hex) 12	193324	Plate, Identification 24
193213	Bracket, Mounting 8, 22	193263	Connector, Card 5	193325	Plate, Identification 25
193218	Terminal 5	193264**	Plate, Front 10	193326	Plate, Identification 26
193219	Board, Program 5	193265**	Plate, Front 7	193361	Voltmeter 20
193221**	Module Assembly 20	193269	Resistor (42K Ohm) 20	194582	Relay 16
193222**	Module Assembly 21	193271**	Plate, Front 6	195152	Armature 28
193231	Capacitor (125 Mfd) 3, 29	193273	Potentiometer (30 Ohm) 20	195564	Lens (White) 6
193238**	Plate, Front 19, 23	193280	Switch, Stepping 4	197500**	Frame Assembly, Module 8, 13 to 19, 21, 22, 25, 26
193239**	Plate, Front 22			197544**	Plate, Front 18, 21
193240**	Module Assembly 22				