

TM 11-2277
 TO 31W4-2FG-1141
 CHANGES No. 1

DEPARTMENTS OF THE ARMY
 AND THE AIR FORCE
 WASHINGTON 25, D.C., 23 June 1959

TELETYPEWRITER DISTRIBUTOR-TRANSMITTERS
TT-122A/FG AND TT-123A/FG

TM 11-2277/TO 31W4-2FG-1141, 13 January 1958, is changed as indicated so that the manual also applies to Teletypewriter Distributor-Transmitter TT-123A/FG procured on Order No. 41188-PC-59.

Change "TT-123/FG" on the cover of the manual to: **TT-123A/FG**.

Page 33. Add paragraphs 57.1 through 57.3 and figures 31.1 through 31.3 after paragraph 57:

57.1. Motor Governor Adjustments

(fig. 31.1)

a. Requirements.

- (1) The electrical contacts should be centered and adjusted for maximum area of engagement.
- (2) The force required to turn the governor adjustment gear, at any point within the operating range, should not exceed 8 ounces.

b. Adjustments.

- (1) Loosen the machine screw that secures the contact arm spring and position the electrical contacts to meet the requirement given in *a*(1) above.
- (2) Check for dirt or bind between the governor worm shaft teeth and the governor

adjustment gear. Eliminate the cause of the bind to meet the requirement given in *a*(2) above.

57.2. Governor Assembly Locating Adjustment

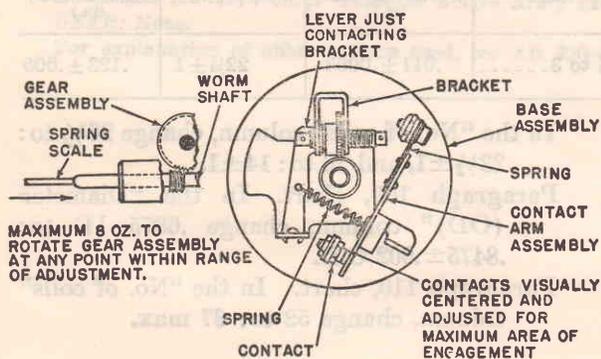
(fig. 31.2)

Note. This adjustment should be performed only when mounting the governor assembly on the motor.

a. Requirement. There should be a clearance of $1/16 \pm 1/32$ inch between the governor slip ring and the brush holder.

b. Adjustment. Loosen the two set screws and position the governor base to meet the requirement. Tighten one set screw fingertight. Tighten the other set screw and then tighten the first set screw.

Note. The governor slip rings must be clean and smooth to insure proper brush contact. The area between the slip rings must be clean and free of foreign material.



TM2277-CI-1

Figure 31.1. Motor governor contacts alignment.

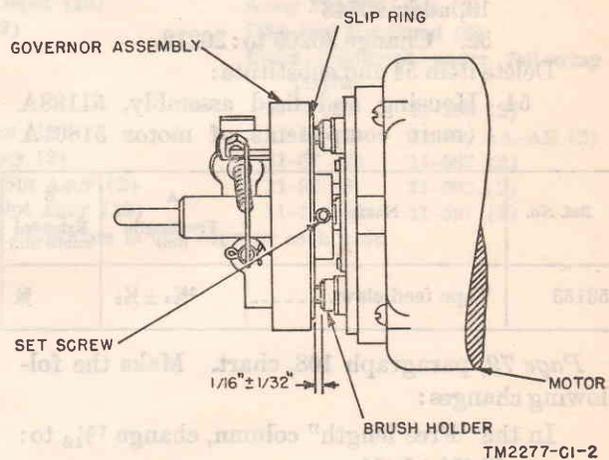


Figure 31.2. Governor assembly locating adjustment.

57.3. Governor Target Assembly

(fig. 31.3)

a. Requirement. There should be a .020-inch maximum clearance between the governor target and the governor cover.

b. *Adjustment.* Loosen the set screw and position the governor target assembly to meet the requirement; tighten the set screw.

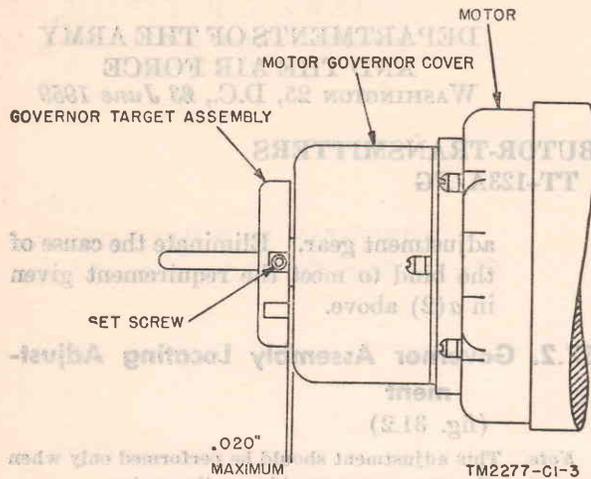


Figure 31.3. Governor target assembly.

Page 49, figure 48, station 1. Change the color code of the lead of L1 from WHT-BRN, to: **BRN-WHT.**

Page 55, figure 49. After the caption add: **(TT-123A/FG).**

Page 59, figure 51, legend. Make the following changes:

- Item 10, add: 10172
- 11, add: 10442
- 12, add: 20751
- 13, add: 20748
- 52. Change 20205 to: **20212.**

Delete item 54 and substitute:

- 54 Housing and field assembly, 51188A (main components of motor 51861A

which includes items 10 through 15 and 42 through 53)

Page 60, paragraph 93. Change 6 to 1 in the following places:

- Paragraph a(1).
- Paragraph b(3).

Page 61, figure 52. Make the following changes: Add the following note to the illustration:

NOTE

A FLAT WASHER, 10459, IS LOCATED BETWEEN ITEMS 29 AND 33 ON ORDER NO. 41188-PC-59.

Change the first six items to read as follows:

- 1 Left side cover, 53796A
- 2 Machine screw, 10357
- 3 Lockwasher, 10403
- 4 Bushing, 52860
- 5 Grommet, 20725
- 6 Front plate, 59711

Page 63, figure 54. Add the following note to the illustration:

NOTE

A FLAT WASHER, 10450, IS LOCATED BETWEEN ITEM 5 AND THE CASTING ON ORDER NO. 41188-PC-59.

Page 67, figure 57, legend, items 7 and 9. Change 56765 to: **50013.**

Page 71, figure 60, item 12. After 52674 add: (57199A on Order No. 41188-PC-59).

Page 75, figure 62, legend. Make the following changes:

- Item 38. After 51628 add: (59994 on Order No. 41188-PC-59).

- Item 69. Delete 59703.

Page 78, paragraph 107, chart. Change line 4 as follows:

Ref. No.	Name	A Free length (in.)	B Extended length (in.)	Required tension, extended length (oz.)	C Wire thickness (in.)	D No. of coils	E Diameter (OD) (in.)
53153	Tape feed claw-----	$2\frac{3}{4} \pm \frac{1}{32}$	$\frac{5}{8}$	$2\frac{1}{2}$ to 3-----	$.011 \pm .0003$	$22\frac{1}{4} \pm 1$	$.123 \pm .005$

Page 79, paragraph 108, chart. Make the following changes:

In the "Free length" column, change $1\frac{5}{16}$ to: **$51/64 \pm 1/64$.**

In the "Wire thickness" column, change .026 to: **.023.**

[AG 413.48 (6 Jun 59)]

In the "No. of coils" column, change $26\frac{1}{2}$ to: **$23\frac{1}{2} \pm 1$, and 16 to: 14 ± 1 .**

Paragraph 109, chart. In the "Diameter (OD)" column, change .6875 ID to: **$.8475 \pm .002$ O.D.**

Paragraph 110, chart. In the "No. of coils" column, change 52 to: **67 max.**

BY ORDER OF THE SECRETARIES OF THE ARMY AND THE AIR FORCE:

MAXWELL D. TAYLOR,
General, United States Army,
Chief of Staff.

OFFICIAL:

R. V. LEE,
Major General, United States Army,
The Adjutant General.

OFFICIAL:

J. L. TARR,
Colonel, United States Air Force,
Director of Administrative Services.

THOMAS D. WHITE,
Chief of Staff, United States Air Force.

DISTRIBUTION:

Active Army:

ASA (2)	Armies (5) except First US Army (7)	USA Sig Comm Engr Agcy (1)
CNGB (1)	Corps (2)	Trans Terminal Comd (1)
Tech Stf, DA (1) except CSigO (30)	Div (2)	Army Terminals (1)
Tech Stf Bd (1)	USATC (2)	Port of Emb (OS) (2)
USCONARC (5)	Fld Comd Def Atomic Spt Agcy (5)	OS Sup Agcy (1)
USA Arty Bd (1)	Yuma Test Sta (2)	Sig Fld Maint Shops (3)
USA Armor Bd (1)	USA Elct PG (1)	Sig Lab (5)
USA Armor Bd Test Sec (1)	Svc Colleges (5)	Mil Dist (1)
USA Inf Bd (1)	Br Svc Sch (5) except USASCS (25)	USA Corps (Res) (1)
USA Air Def Bd (1)	Gen Depot (2) except Atlanta Gen Depot (none)	Sectors, USA Corps (Res) (1)
USA Air Def Bd Test Sec (1)	Sig Sec, Gen Depot (10)	TASSA (15)
USA Abn & Elct Bd (1)	Sig Depots (17)	Midwestern Rgn Ofc (TASSA) (1)
USA Avn Bd (1)	AFIP (1)	JBUSMC (2)
USA Arctic Test Bd (1)	WRAMC (1)	USA Sig Pubs Agcy (8)
US ARADCOM (2)	AMS (1)	Army Pictorial Cen (2)
US ARADCOM Rgn (2)	Engr Maint Cen (1)	USA Ord Msl Comd (3)
OS Maj Comd (5)	USA Comm Agcy (2)	Units organized under following TOE's:
OS Base Comd (5)	USA Sig Eqp Spt Agcy (2)	11-7 (2) 11-155 (2)
Log Comd (5)	USA Sig Msl Spt Agcy (13)	11-16 (2) 11-500 AA-AE (2)
MDW (1)		11-57 (2) 11-587 (2)
		11-97 (2) 11-592 (2)
		11-117 (2) 11-597 (2)

NG: State AG (3); units—same as Active Army except allowance is one copy to each unit.

USAR: None.

For explanation of abbreviations used, see AR 320-50.