

37 TYPING UNIT

WIRING DIAGRAMS

1. GENERAL

1.01 This section is issued to provide the actual wiring diagrams for the 37 typing units. Notes included on the diagrams explain symbols used and point out special conditions that should be observed.

1.02 The wiring diagram index lists the title and wiring diagram numbers in numerical order. The wiring diagrams that pertain to the associated function or stunt box arrangements are also included.

1.03 Schematic wiring diagrams and circuit descriptions for the typing unit can be found in the appropriate BSTSEA (Bell System Teletypewriter Station Engineering Arrangements) plan.

2. WIRING DIAGRAM INDEX

TITLE	WD NUMBER
37 Typing Unit (803, 804, 805)	7843WD
37 Typing Unit (820, 821, 822, 823)	7855WD
Stunt Box Arrangements	7860WD
37 Typing Unit (807)	7863WD
37 Typing Unit (800, 801)	7878WD
37 Typing Unit (806, 808, 811, 814)	8362WD
Stunt Box Arrangements	8363WD
37 Typing Unit (810, 813)	8364WD
37 Typing Unit (812)	8562WD

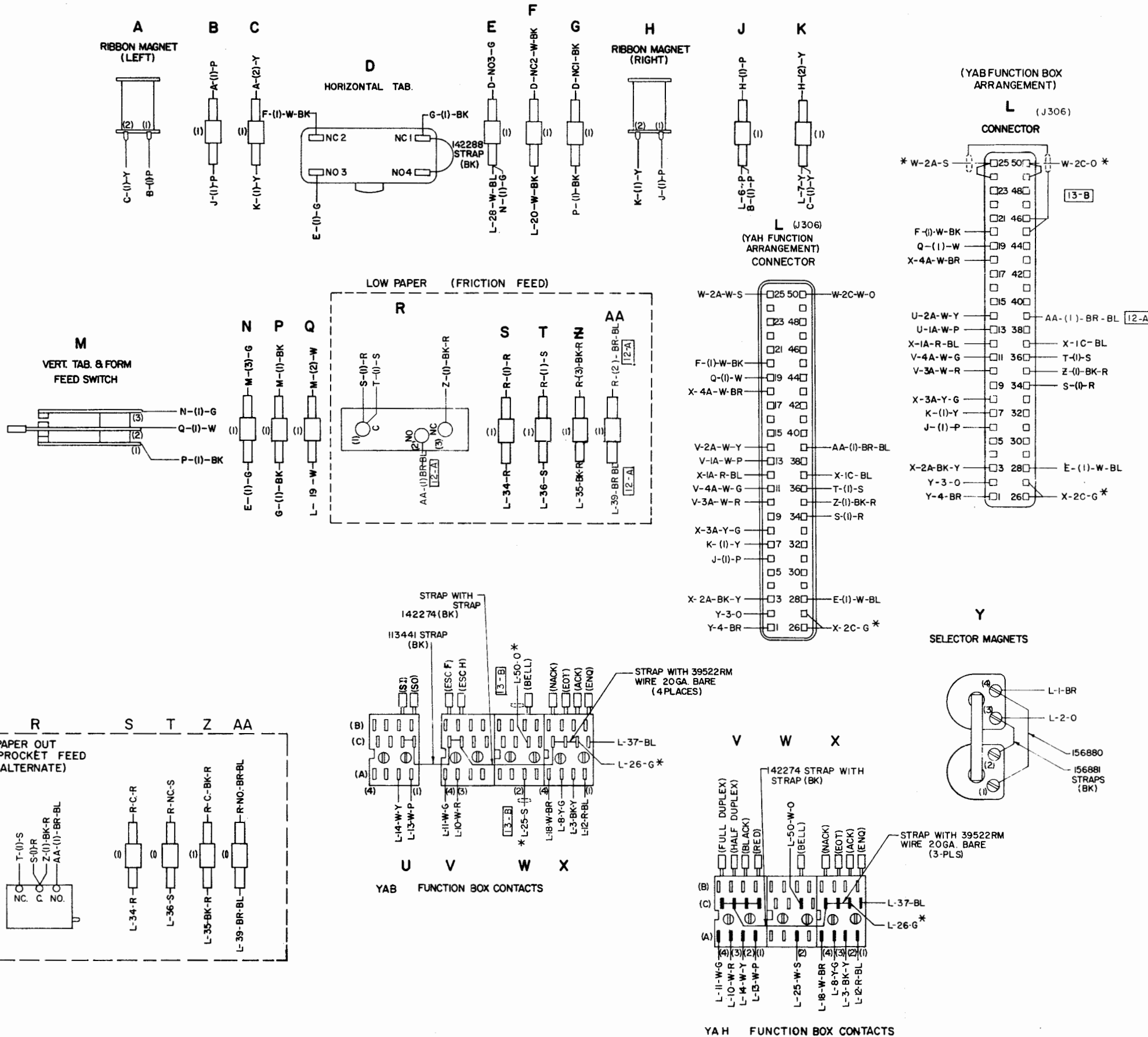
# 7843 WD

## REVISIONS

ISSUE	DATE	AUTH. NO.
1	10-7-65	17311-R
2	1-18-66	89515
3	2-11-66	89899
4	10-17-66	92156
5	3-29-67	93076
6	2-7-68	97458
7	5-7-68	97711
8	9-16-68	96036

- NO. NOTES**
- WIRING LEGEND:** [12-A] SEE NOTE II
  - TERMINAL DESIGNATIONS ENCLOSED IN PARENTHESES ARE FOR REFERENCE ONLY & NOT MARKED ON COMPONENT.
  - CONNECTOR VIEWED FROM SOLDER TERMINAL END.
  - ALL WIRE 24 AWG UNLESS OTHERWISE SPECIFIED.
  - ASSOCIATED CABLES:  
 306395 MAGNET W/LEADS  
 306354 CABLE ASSEMBLY  
 306392 CABLE W/CONTACT ASSEMBLY  
 306356 SWITCH W/CABLE  
 306564 CABLE W/SWITCH
  - ASSOCIATED SCHEMATIC:  
7880 WD.
  - COLOR CODE LEGEND:**  

BK-BLACK	G-GREEN
BR-BROWN	BL-BLUE
R-RED	P-PURPLE
O-ORANGE	S-SLATE
Y-YELLOW	W-WHITE
  - INDICATES ONE PIN CONNECTOR COMPOSED OF A 306353 PIN IN A 306359 HOUSING AND A 306358 SOCKET IN A 306360 HOUSING
  - \* DENOTES 18 GA. WIRE.
  - DENOTES SHIELDED WIRE.
  - WIRING STATUS:**  
**RECTANGULAR BOX INDICATES HISTORY OF WIRING CHANGES**  
    - 00-B** - DENOTES WIRING BEFORE THE CHANGE DESCRIBED BY THE DESIGNATED NOTE ENTERED THE PRODUCT.
    - 00-A** - DENOTES WIRING AFTER THE CHANGE DESCRIBED BY THE DESIGNATED NOTE ENTERED THE PRODUCT.
  - A NO CONTACT ON PAPER OUT SWITCH ADDED TO CONNECTOR "L" ON PIN 39 THROUGH CONNECTOR "AA"
  - B SHIELD REMOVED FROM BELL CABLE ON FUNCTION BOX CONTACTS. WIRE GAUGE REDUCED FROM 18 GA. TO 22 GA. AND COLOR CODES CHANGED FROM S TO W-S AND O TO W-O.



**ACTUAL WIRING DIAGRAM FOR MODEL 37 TYPING UNIT**

**APPROVALS**

D AND R	E OF M
<i>[Signature]</i>	<i>[Signature]</i>

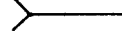
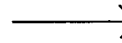
**E-NUMBER**  
 PROD. NO. 7843 W.D.

**DATE** 8-29-65  
**P.D. FILE NO.** 1-30.354 AA

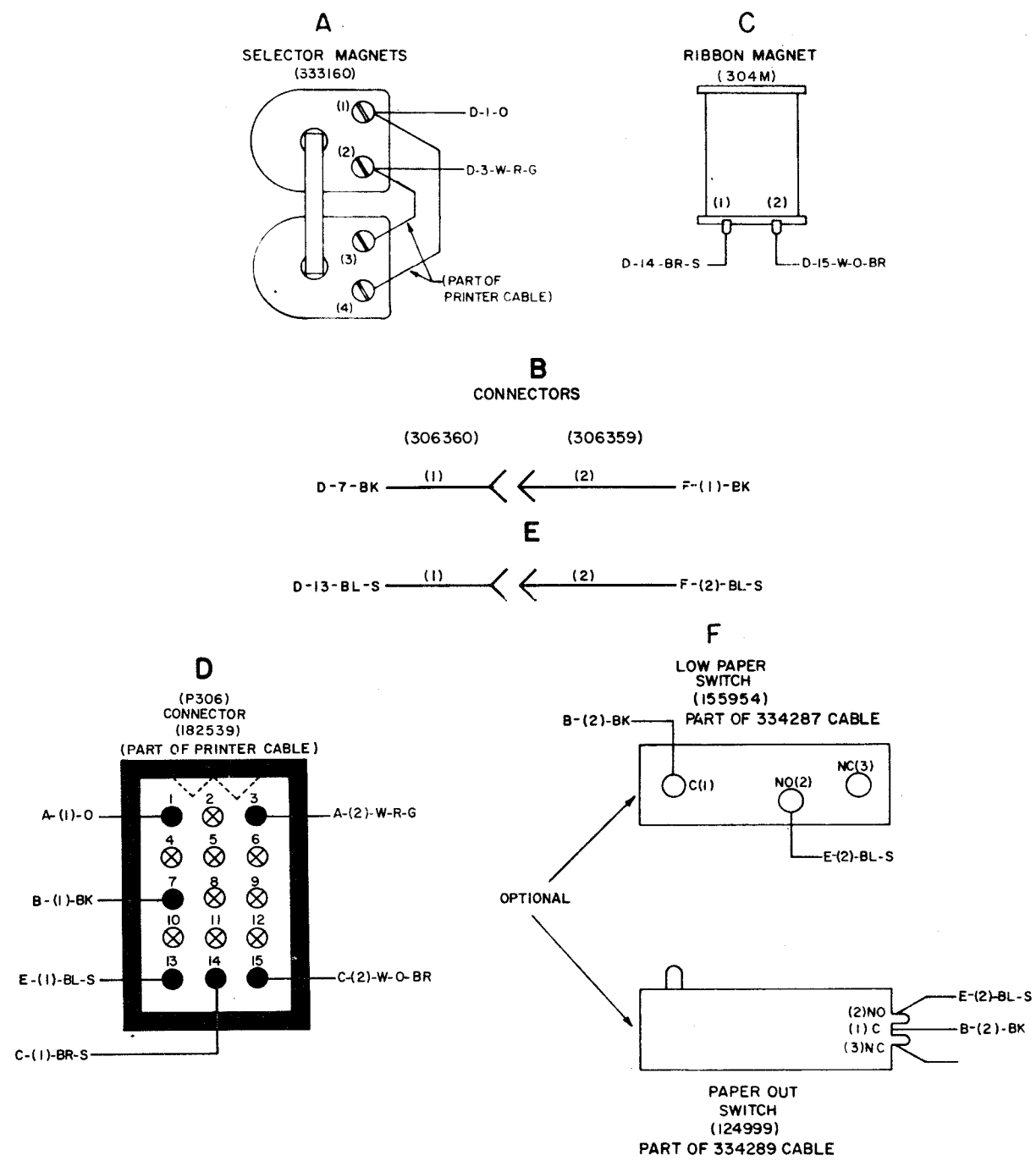
**DRAWN** J.C.H. **CHKD.** *[Signature]*  
**ENGD.** J.C.H. **APPD.** *[Signature]*

**TELETYPE CORPORATION**

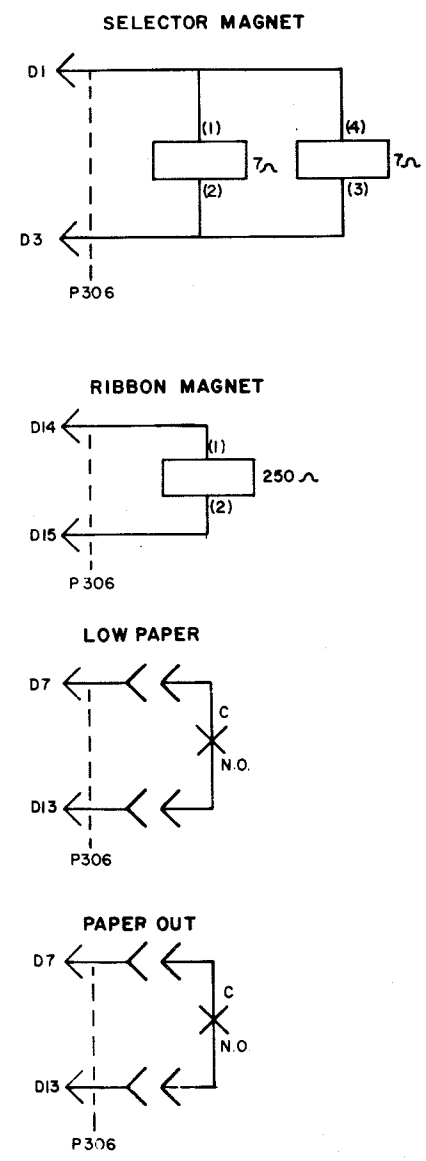
# 7843 WD

- NO. NOTES**
- WIRING LEGEND:**  
K-B-W  
WIRE COLOR CODE  
DISTANT TERMINATING DESIGNATION  
DISTANT TERMINATING AREA
  - TERMINAL DESIGNATIONS ENCLOSED IN PARENTHESES ARE FOR REFERENCE ONLY & NOT MARKED ON COMPONENT.
  - CONNECTOR VIEWED FROM TERMINAL END
  - ALL WIRE 24 AWG UNLESS OTHERWISE SPECIFIED
  - ASSOCIATED CABLE 326579
  - COLOR CODE LEGEND:**  
BK - BLACK      G - GREEN  
BR - BROWN    BL - BLUE  
R - RED        P - PURPLE  
O - ORANGE    S - SLATE  
Y - YELLOW    W - WHITE
  - ALL UNUSED WIRES SHOULD BE TIED BACK ON CABLE BODY, CARE SHOULD BE TAKEN TO AVOID SHORTING OF UNTERMINATED WIRES TO PRINTER FRAME.
  -  INDICATES FEMALE TERMINAL.  
 INDICATES MALE TERMINAL.

**ACTUAL**



**SCHEMATIC**



**7855WD**

REVISIONS		
ISSUE	DATE	AUTH. NO.
1	10-14-68	19645-R
2	9-30-69	99528
3	9-8-70	857

SCHEMATIC & ACTUAL WIRING DIAGRAM FOR MODEL 37 TYPING UNITS (WITH 326579 CABLE ONLY)

**APPROVALS**

D AND R <i>WPH</i>	E OF M <i>H. S. B.</i>
-----------------------	---------------------------

E-NUMBER  
PROD. NO. 7855WD  
DATE 7-9-68  
P.D. FILE NO. G-A354AA  
DRAWN WPB      CHKD. *[Signature]*  
ENGD. MJR      APPD. *[Signature]*

**TELETYPE CORPORATION**

**7855WD**

SHEET INDEX

CONTENTS	SHEET NO.	ISSUE NO.																									SHEET NO.
		1	2	3	4	5	6	7	8	9	10	11	12	13	14	15	16	17	18	19	20	21	22	23	24	25	
SHEET INDEX	1	X	X	3																							1
SCHEMATIC & ACTUAL WIRING DIAGRAM FOR STUNT BOX ARRANGEMENTS	2	X	X	3																							2
SCHEMATIC & ACTUAL WIRING DIAGRAM FOR STUNT BOX ARRANGEMENTS	3	X	X	2																							3
SCHEMATIC & ACTUAL WIRING DIAGRAM FOR STUNT BOX ARRANGEMENTS	4	X	1	2																							4

SUPPORTING INFORMATION

CATEGORY	NO.

REVISIONS

ISSUE	DATE	AUTH. NO.
1	12-23-69	99555
2	3-11-70	99555-1
3	8-27-70	766
4	11-24-70	911

SHEET INDEX NOTES

1. WHEN CHANGES ARE MADE IN THIS DRAWING ONLY THOSE SHEETS AFFECTED WILL BE REISSUED.
2. THIS SHEET INDEX WILL BE REISSUED AND UPDATED EACH TIME ANY SHEET OF THE DRAWING IS REISSUED OR A NEW SHEET IS ADDED.
3. THE LAST COMPLETED COLUMN INDICATES THE LATEST ISSUE NUMBER OF THE SHEET INDEX.
4. SHEETS THAT ARE NOT CHANGED WILL RETAIN THEIR EXISTING ISSUE NO.
5. ISSUE DATES WILL BE SHOWN ON THE SHEET INDEX ONLY.

SCHEMATIC & ACTUAL WIRING DIAGRAM FOR STUNT BOX ARRANGEMENTS

APPROVALS

PROJ. SUPV.	PROJ. DIR.	MFG. REL. COMPL. <i>LDM</i>
ENGR. M.J.R.	DSGNR.	
DRN. D.R.	DATE 12-22-69	
R & D FILE		
S-NUMBER		



7860WD (1)

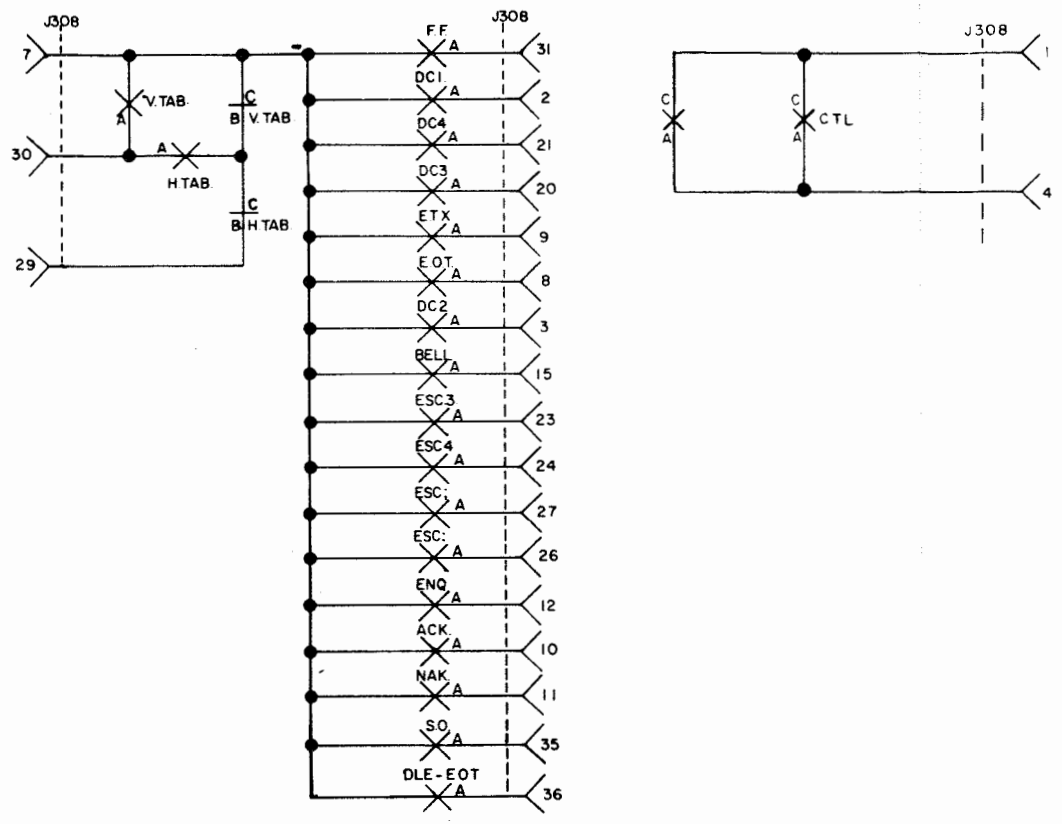
# 7860WD (2)

## REVISIONS

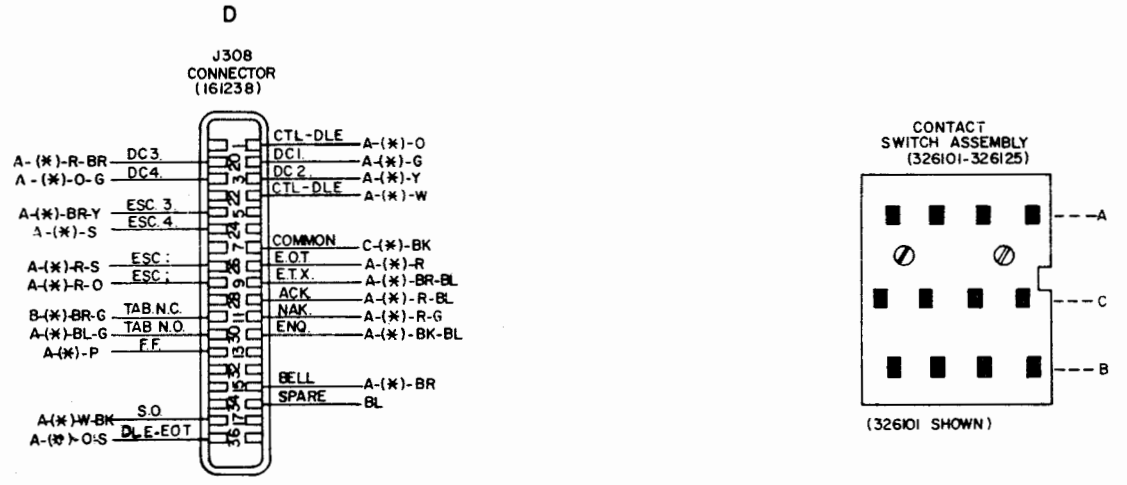
ISSUE	DATE	AUTH. NO.
1	1-10-69	19645-R
2	12-23-69	99555
3	11-23-70	9111

- NO. NOTES.
1. C-19-BR WIRE COLOR CODE. DISTANT TERMINAL DESIGNATION OR STUNT BOX SLOT NUMBER. DISTANT TERMINATING AREA OR STUNT BOX CONTACT.
  2. COLOR CODE:  
BK-BLACK G-GREEN R-RED  
BR-BROWN BL-BLUE P-PURPLE  
O-ORANGE S-SLATE Y-YELLOW  
W-WHITE
  3. FEMALE TERMINAL.  
MALE TERMINAL.
  4. ALL UNUSED WIRES SHOULD BE TIED BACK ON CABLE BODY CARE SHOULD BE TAKEN TO AVOID SHORTING OF UNTERMINATED WIRES.
  5. "X" INDICATES CONTACT ASSEMBLY, BUT NO TERMINALS.  
NONE - INDICATES TERMINALS, BUT NO FUNCTION.
  6. INDICATES STRAP 39522 RM WIRE.
  7. VISUAL REFERENCES:  
"STUNT BOX ARRANGEMENT" DESIGNATED BY STAMPING ON MOUNTING SCREW IN UPPER RIGHT REAR OF STUNT BOX.  
"SLOT NUMBER"-EVERY FIFTH SLOT NUMBER IS STAMPED ON REAR OF CASTING.
  8. WHERE A FUNCTION IS NOT CALLED FOR IN A PARTICULAR ARRANGEMENT, THE ASSOCIATED CONTACT AND CONNECTOR SHOWN ON THIS DRAWING ARE TO BE DISREGARDED.

## SCHEMATIC (FULLY IMPLEMENTED STUNT BOX.) (NOTE 8)



## ACTUAL (NOTE 8)



(\* ) - SEE APPROPRIATE STUNT BOX ARRANGEMENT ON SHEET 2 FOR SLOT TERMINATION.

SHEET 2

SCHEMATIC & ACTUAL WIRING DIAGRAM FOR STUNT BOX ARRANGEMENTS

### APPROVALS

D AND R	E OF M
<i>[Signature]</i>	<i>[Signature]</i>

E-NUMBER

PROD. NO. 7860 WD

DATE 5-22-69

P.D. FILE NO. G-A354AA

DRAWN W/PB

CHKD. *[Signature]*

ENGD. M.J.R./R.F.W.

APPD. *[Signature]*

TELETYPE CORPORATION

# 7860 WD (2)

# 7860 WD(3)

## REVISIONS

ISSUE	DATE	AUTH. NO.
1	2-23-69	99555
2	3-11-70	99555-1
3	9-28-70	766

STUNT BOX ARRANGEMENT	ASSOCIATED CABLE	CONTACT POSITIONS	SLOT NUMBERS																																									
			1	2	3	4	5	6	7	8	9	10	11	12	13	14	15	16	17	18	19	20	21	22	23	24	25	26	27	28	29	30	31	32	33	34	35	36	37	38	39	40	41	42
			Wiring connections and functions detailed in the main body of the document, including items like 'A17 BL-G', 'D31 P', 'D29 BR-G', 'D20 R-BR', etc.																																									

319778 YAK 326581

319779 YAL 327837

334211 YAM 327837

334212 YAN 326581

334213 YAP 326581

334214 YAR 326581

334215 YAS 326581

334216 YAT 326581

334240 YAU 326581

SHEET 3

SCHEMATIC AND ACTUAL WIRING DIAGRAM FOR STUNT BOX ARRANGEMENTS

### APPROVALS

D AND R: [Signature] E OF M: [Signature]

E-NUMBER

PROD. NO. 7860 WD

DATE 12-2-69

P.D. FILE NO. G-A354AA

DRAWN D.R. CHKD. [Signature]

ENGD. A.B. APPD. [Signature]

TELETYPE CORPORATION

## 7860 WD(3)

SLOT NUMBERS

REVISIONS		
ISSUE	DATE	AUTH. NO.
1	12-23-69	99555
2	8-27-70	766
3	12-24-70	911

STUNT BOX ARRANGEMENT	ASSOCIATED CABLE	CONTACT POSITIONS	SLOT NUMBERS																																																						
			1	2	3	4	5	6	7	8	9	10	11	12	13	14	15	16	17	18	19	20	21	22	23	24	25	26	27	28	29	30	31	32	33	34	35	36	37	38	39	40	41	42													
334241	326581	A																																																							
		C																																																							
		B																																																							
		FUNCTION																																																							
334242	326581	A																																																							
		C																																																							
		B																																																							
		FUNCTION																																																							
334243	326581	A																																																							
		C																																																							
		B																																																							
		FUNCTION																																																							
332183	326581	A																																																							
		C																																																							
		B																																																							
		FUNCTION																																																							
334290	326581	A																																																							
		C																																																							
		B																																																							
		FUNCTION																																																							
334291	326581	A																																																							
		C																																																							
		B																																																							
		FUNCTION																																																							
334292	326581	A																																																							
		C																																																							
		B																																																							
		FUNCTION																																																							
338901	338901	A																																																							
		C																																																							
		B																																																							
		FUNCTION																																																							

SHEET 4

SCHEMATIC AND ACTUAL WIRING DIAGRAM FOR STUNT BOX ARRANGEMENTS

APPROVALS	
D AND R	E OF M
<i>[Signature]</i>	<i>[Signature]</i>

E-NUMBER

PROD. NO. 7860 WD

DATE 12-2-69

P.D. FILE NO. G-A354AA

DRAWN D R

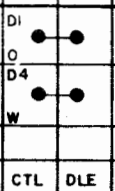
ENGD. A B

CHKD. *[Signature]*

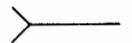
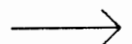
APPD. *[Signature]*

TELETYPE CORPORATION

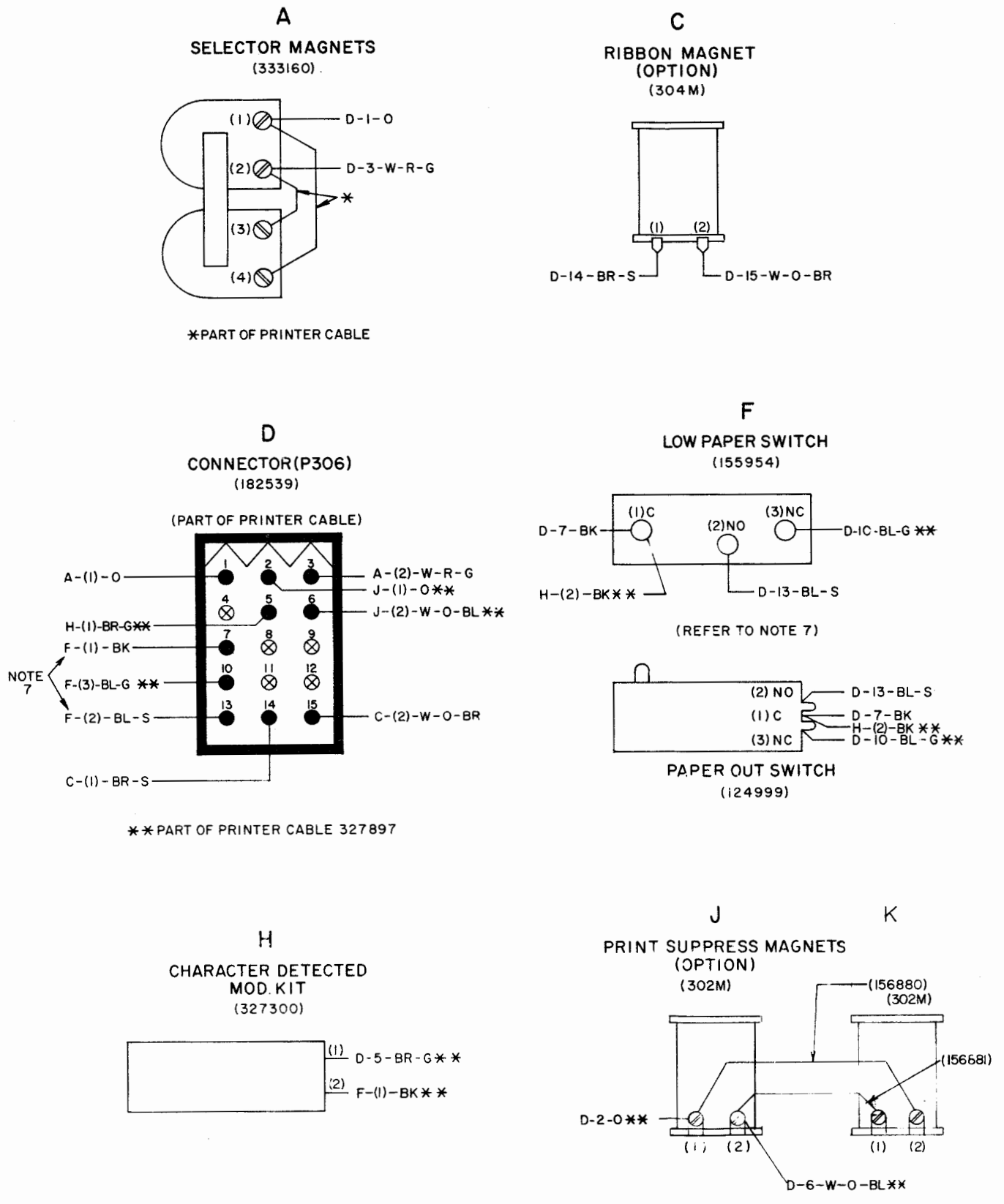
7860WD(40F4)



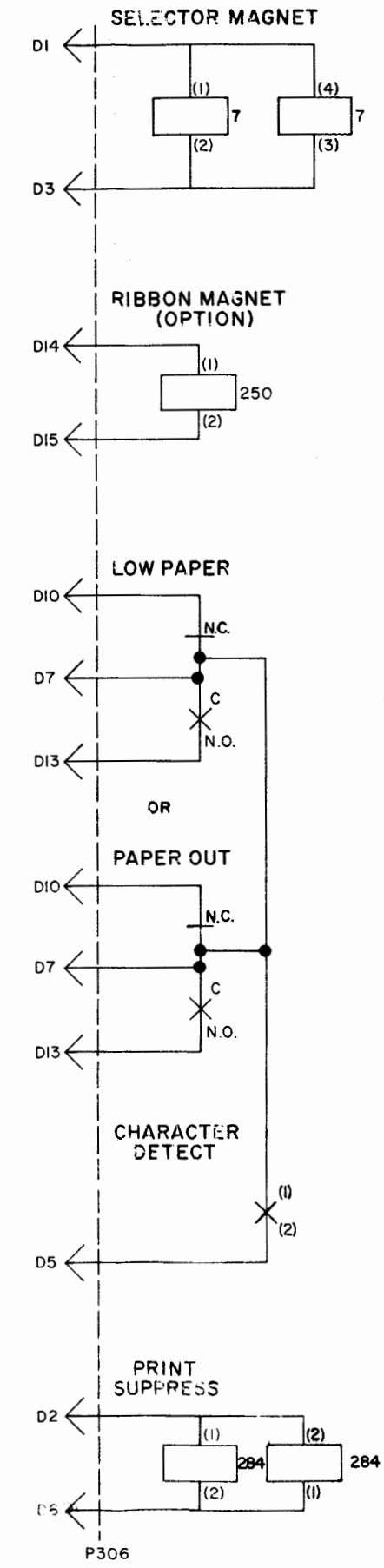
CTL DLE

- NO. NOTES
1. WIRING LEGEND:  
K-8-W  
WIRE COLOR CODE.  
DISTANT TERMINATING DESIGNATION.  
DISTANT TERMINATING AREA.
  2. TERMINAL DESIGNATIONS ENCLOSED IN PARENTHESES ARE FOR REFERENCE ONLY & NOT MARKED ON COMPONENT.
  3. CONNECTOR VIEW FROM TERMINAL END.
  4. ALL WIRE 24 AWG UNLESS OTHERWISE SPECIFIED.
  5. ASSOCIATED CABLES 326579, 327897
  6. COLOR CODE LEGEND:  
BK - BLACK      G - GREEN  
BR - BROWN    BL - BLUE  
R - RED        P - PURPLE  
O - ORANGE    S - SLATE  
Y - YELLOW    W - WHITE
  7. CONNECT WIRES PER AREA "F" TO APPLICABLE SWITCH ON PRINTER ASSEMBLY (OPTION).
  8. ALL UNUSED WIRES SHOULD BE TIED BACK ON CABLE BODY. CARE SHOULD BE TAKEN TO AVOID SHORTING OF UNTERMINATED WIRES TO PRINTER FRAME.
  9.  INDICATES FEMALE TERMINAL.  
 INDICATES MALE TERMINAL.

**ACTUAL**



**SCHEMATIC**



**7863WD**

REVISIONS

ISSUE	DATE	AUTH. NO.
1	12-20-69	20572-R
2	4-7-70	259
3	6-23-70	3122

WIRING DIAGRAM FOR MODEL 37 TYPING UNITS (85/86 SYSTEMS)

APPROVALS

D AND R	E OF M

S-NUMBER

PROD. NO. 7863WD

DATE 10/27/69

P.D. FILE NO. 52-A25/354 AA

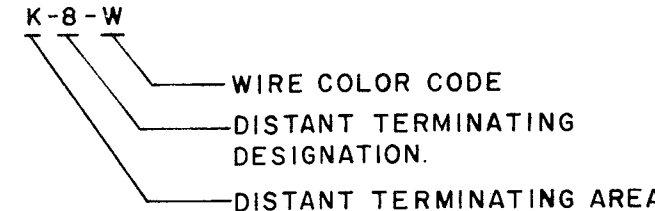
DRAWN DJL      CHKD.

ENGD. MJR      APPD.

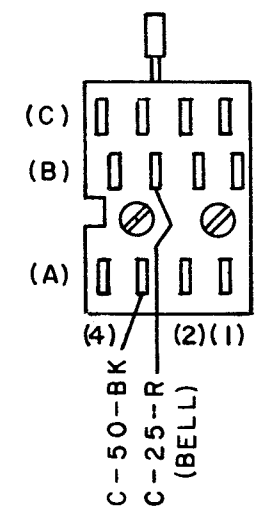
TELETYPE CORPORATION

**7863WD**

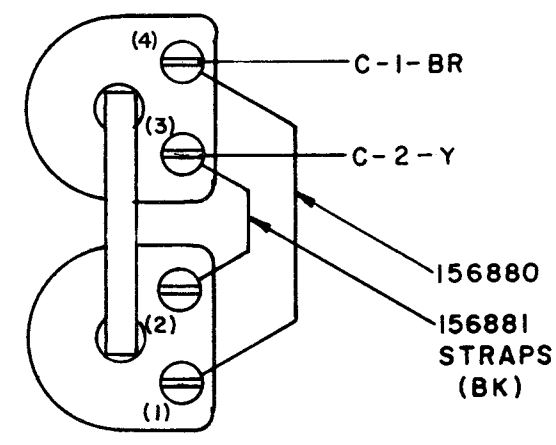


NO.	NOTES
1.	<b>WIRING LEGEND:</b> 
2.	TERMINAL DESIGNATIONS ENCLOSED IN PARENTHESES ARE FOR REFERENCE ONLY & NOT MARKED ON COMPONENT.
3.	CONNECTOR VIEWED FROM SOLDER TERMINAL END.
4.	ALL WIRE 24 AWG UNLESS OTHERWISE SPECIFIED.
5.	<b>ASSOCIATED CABLE</b> 153592 CABLE ASSEMBLY 319498 CABLE ASSEMBLY
6.	<b>COLOR CODE LEGEND</b> O - ORANGE    R - RED BK - BLACK    BR - BROWN

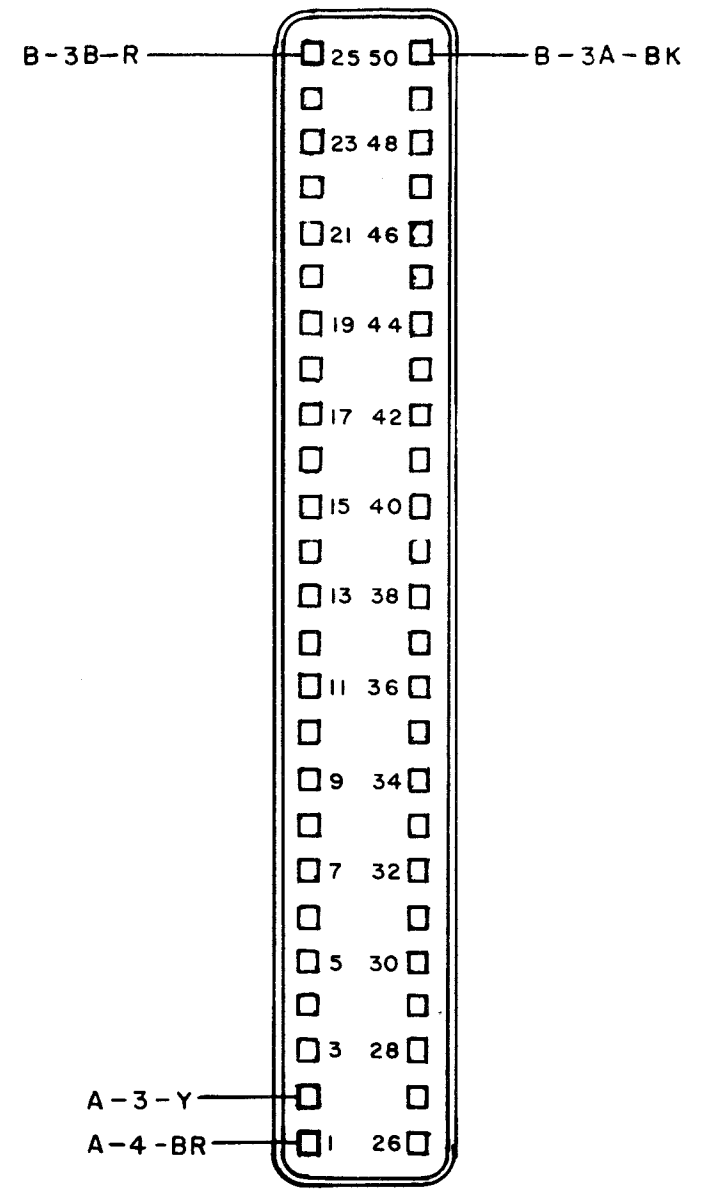
**B**  
FUNCTION BOX CONTACTS



**A**  
SELECTOR MAGNETS



**C**  
CONNECTOR



**7878 WD**

REVISIONS		
ISSUE	DATE	AUTH. NO.
1	8-1-66	17881-R

ACTUAL WIRING  
DIAGRAM  
FOR MODEL 37  
TYPING UNIT  
YP-800  
YP-600

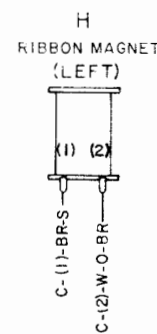
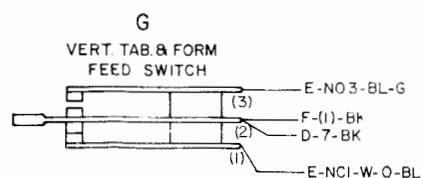
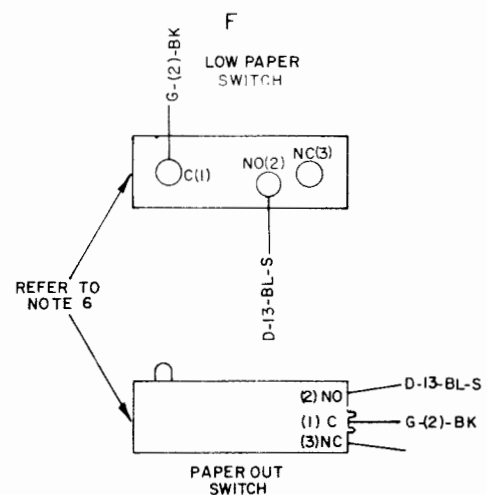
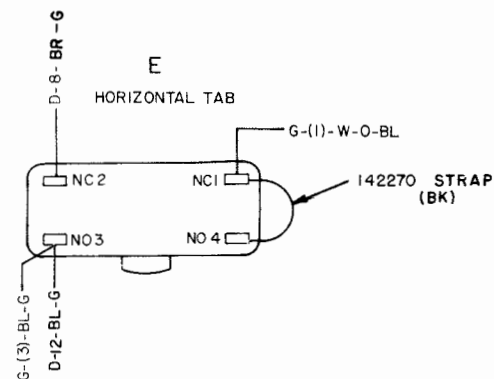
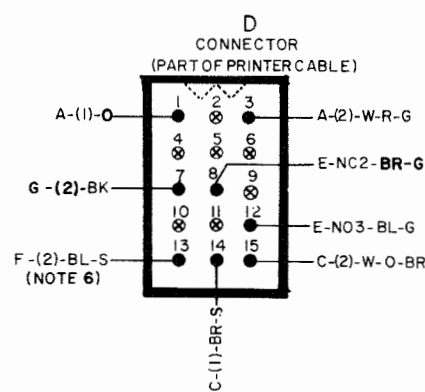
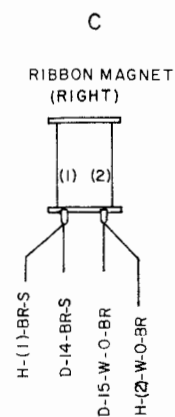
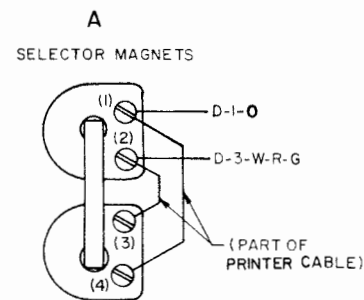
APPROVALS	
D AND R <i>HAK</i>	E OF M <i>U</i>
E NUMBER	
PROD. NO. 7878 WD	
DATE: OCT. 5, 1965	
P.D. FILE NO. 1-30.354AA	
DRAWN C.E.L.	CHKD. <i>AC</i>
ENGD. C.E.L.	APPD. <i>BE</i>
<b>TELETYPE CORPORATION</b>	
<b>7878 WD</b>	

8362 WD

REVISIONS

ISSUE	DATE	AUTH. NO.
1	5-27-68	19260-R
2	7-12-68	97839
3	1-8-69	96481

- NO. NOTES
1. WIRING LEGEND:  
 K-8-W  
 WIRE COLOR CODE.  
 DISTANT TERMINATING DESIGNATION.  
 DISTANT TERMINATING AREA.
  2. TERMINAL DESIGNATIONS ENCLOSED IN PARENTHESES ARE FOR REFERENCE ONLY & NOT MARKED ON COMPONENT.
  3. CONNECTOR VIEWED FROM TERMINAL END.
  4. ALL WIRE 24 AWG UNLESS OTHERWISE SPECIFIED.
  5. COLOR CODE LEGEND  
 BK - BLACK      G - GREEN  
 BR - BROWN    BL - BLUE  
 R - RED        P - PURPLE  
 O - ORANGE    S - SLATE  
 Y - YELLOW    W - WHITE
  6. CONNECT WIRES TO AREA F AS SHOWN PER PRINTER REQUIREMENTS



ACTUAL WIRING DIAGRAM FOR MODEL 37 TYPING UNITS YP806,808, YP811,814.

APPROVALS

D AND R	E OF M
---------	--------

E-NUMBER

PROD. NO. 8362 WD

DATE 10-24-67

P.D. FILE NO. 43-A25AA

DRAWN W.P.B.      CHKD. *[Signature]*

ENGD. M.J.R.      APPD. *[Signature]*

TELETYPE CORPORATION

8362WD

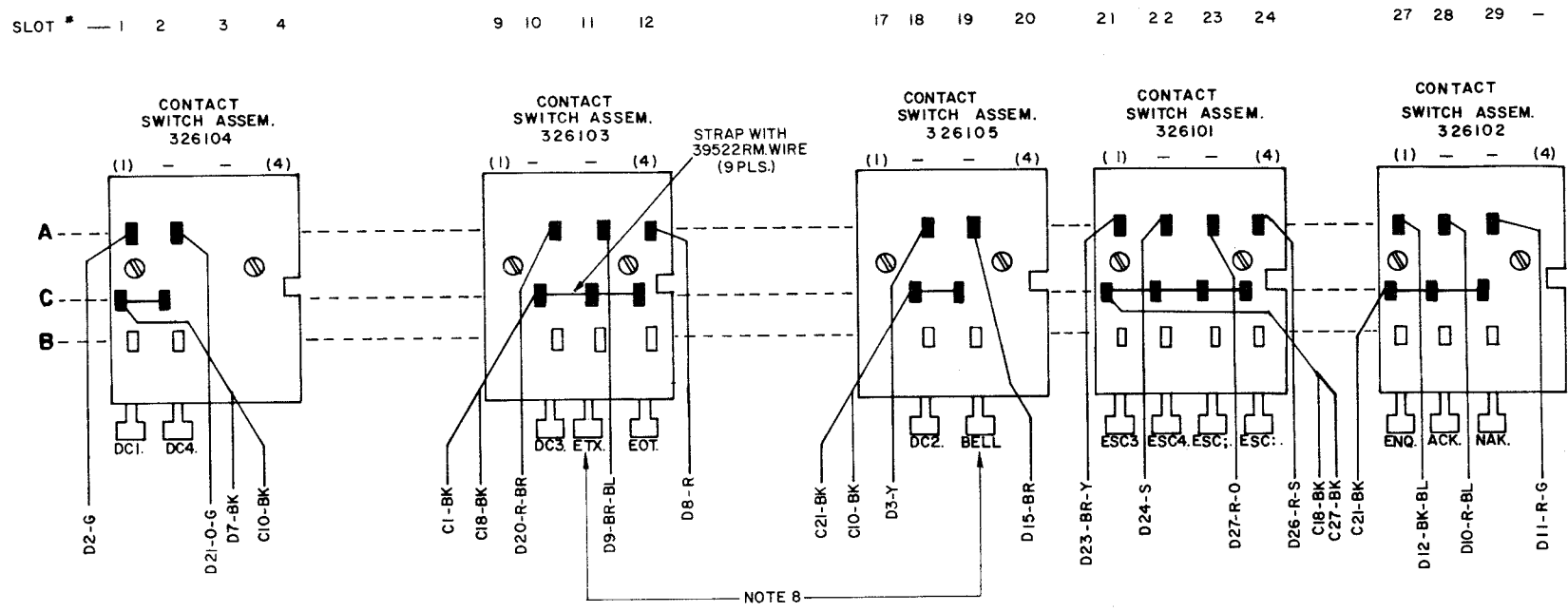
# 8363 WD

## REVISIONS

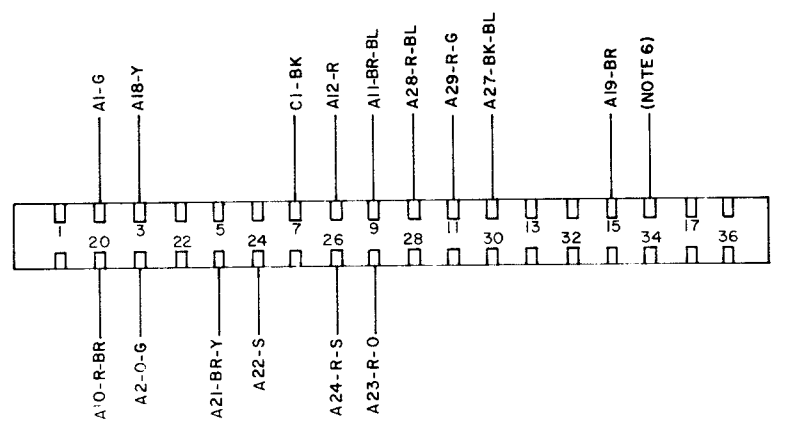
ISSUE	DATE	AUTH. NO.
1	10-24-68	19260 R
2	4-22-69	99032

- NO. NOTES
- 1 WIRING LEGEND:
  - 2 ASSOCIATED CABLE: 327817
  - 3 COLOR CODE:  

BK-BLACK	G- GREEN
BR-BROWN	BL-BLUE
R- RED	P-PURPLE
O- ORANGE	S-SLATE
Y- YELLOW	W-WHITE
  6. TERMINAL DESIGNATIONS ENCLOSED IN PARENTHESES ARE FOR REFERENCE, AND ARE NOT MARK ON COMPONENT.
  7. ALL UNUSED WIRE'S SHOULD BE TIED BACK ON CABLE BODY, CARE SHOULD BE TAKEN TO AVOID SHORTING OF UNTERMINATED WIRES TO PRINTER FRAME.
  8. YAC STUNT BOX ARRANGMENT HAS BELL LOCATED IN SLOT NO.11 WITH ITS ASSOCIATED D15-BR WIRE



**D**  
(J308)  
CONNECTOR  
161238



ACTUAL WIRING DIAGRAM FOR STUNT BOX ARRANGMENT  
 YAE - 319776  
 YAC - 319875  
 YAJ - 319655

**APPROVALS**

D AND R	E OF M
---------	--------

E-NUMBER  
 PROD. NO. 8363 WD  
 DATE 2-27-68  
 P.D. FILE NO. G-A354AA  
 DRAWN W.P.B. CHKD.  
 ENGD. M.J.R. APPD.

**TELETYPE CORPORATION**

# 8363 WD

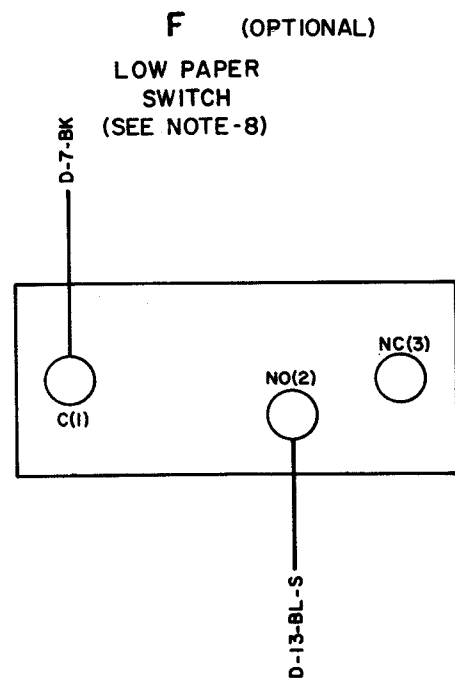
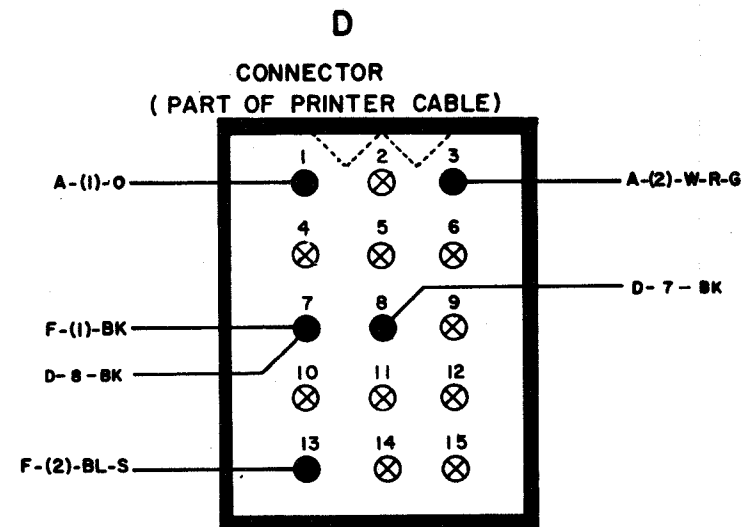
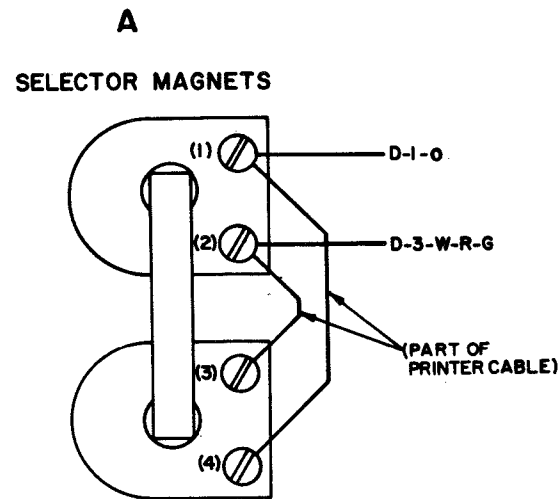
8364WD

REVISIONS

ISSUE	DATE	AUTH. NO.
1	5-27-68	19260-R
2	9-17-68	97842
3	1-2-69	96573

- NO. NOTES**
- WIRING LEGEND:**  
    - K-S-W WIRE COLOR CODE
    - DISTANT TERMINATING DESIGNATION
    - DISTANT TERMINATING AREA
  - TERMINAL DESIGNATIONS ENCLOSED IN PARENTHESES ARE FOR REFERENCE ONLY & NOT MARKED ON COMPONENT.
  - CONNECTOR VIEWED FROM TERMINAL END.
  - ALL WIRE 24 AWG. UNLESS OTHERWISE SPECIFIED.
  - ASSOCIATED CABLE: 327814.
  - COLOR CODE LEGEND:**  

BK-BLACK	G-GREEN
BR-BROWN	BL-BLUE
R-RED	P-PURPLE
O-ORANGE	S-SLATE
Y-YELLOW	W-WHITE
  - ALL UNUSED WIRES SHOULD BE TIED BACK ON CABLE BODY. CARE SHOULD BE TAKEN TO AVOID SHORTING OF UNTERMINATED WIRES TO THE PRINTER FRAME.
  - THE LOW PAPER SWITCH IS NOT PART OF THE BASIC PRINTERS. IT BELONGS TO THE LOW PAPER MOD. KIT NO. 349650.



ACTUAL WIRING DIAGRAM FOR MODEL 37 TYPING UNIT YP810, 813

**APPROVALS**

D AND R <i>HRK</i>	E OF M <i>[Signature]</i>
-----------------------	------------------------------

E-NUMBER

PROD. NO. 8364 WD

DATE 3-5-68

R.D. FILE NO. G-A354 AA

DRAWN W.P.B.	CHKD. <i>[Signature]</i>
ENGD. M.J.R.	APPD. <i>[Signature]</i>

**TELETYPE CORPORATION**

8364 WD

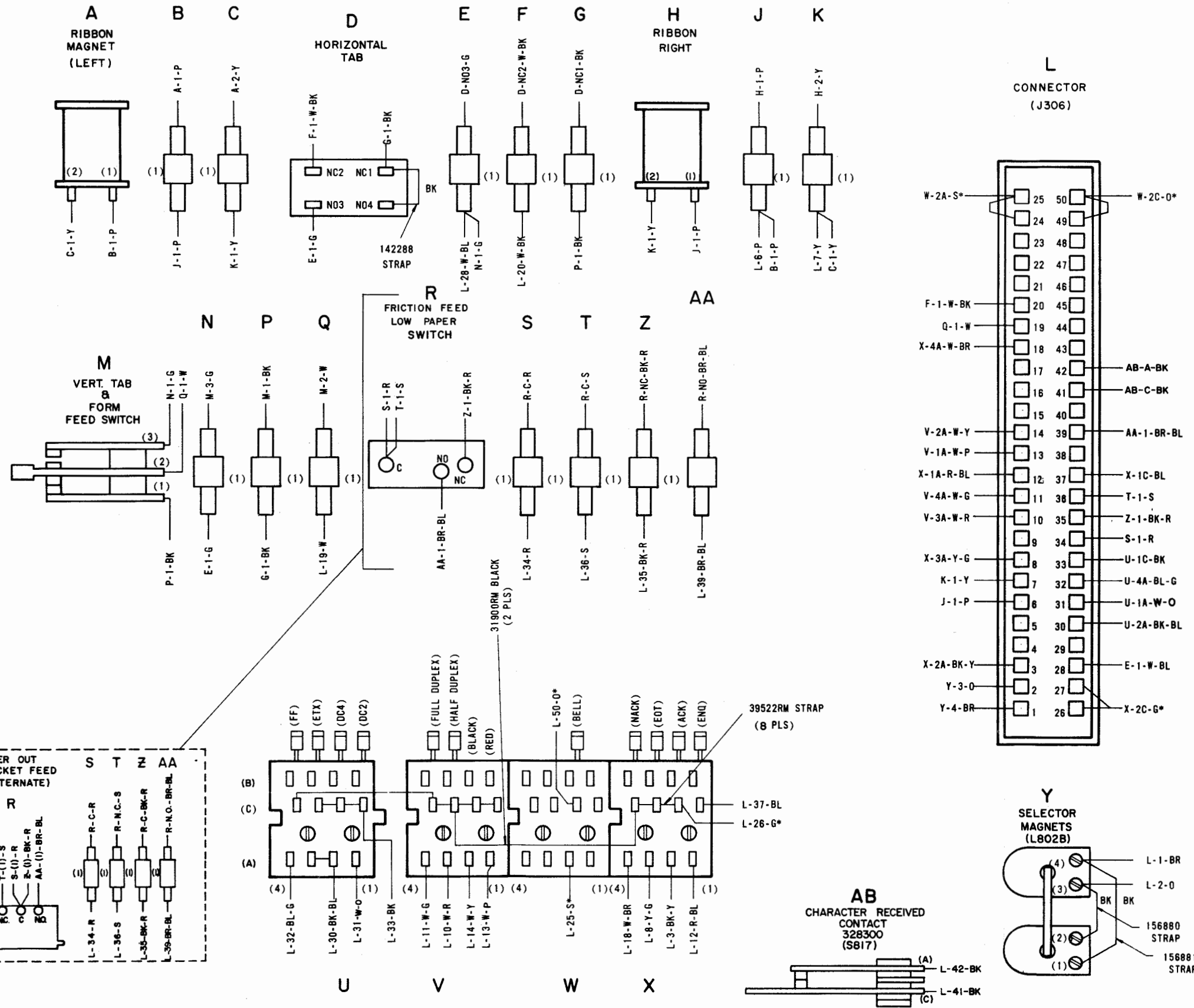
# 8562 WD

## REVISIONS

ISSUE	DATE	AUTH. NO.
1	3-28-68	19063-R
2	8-22-68	97834

- NO. NOTES
1. WIRING LEGEND:
  2. COLOR CODE:  

BK-BLACK	G-GREEN
BR-BROWN	P-PURPLE
R-RED	O-ORANGE
Y-YELLOW	W-WHITE
S-SLATE	BL-BLUE
  3. INDICATES ONE PIN CONNECTOR COMPOSED OF A  
 306353 PIN IN A  
 306359 HOUSING AND A  
 306358 SOCKET IN A  
 306360 HOUSING
  4. \* DENOTES 18 GA. WIRE
  5. TERMINAL DESIGNATIONS ENCLOSED IN PARENTHESES ARE FOR REFERENCE ONLY AND NOT MARKED ON COMPONENT.
  6. CONNECTOR VIEWED FROM SOLDER TERMINAL END.
  7. ASSOCIATED CABLES:  
 306395 MAGNET W/LEADS  
 326159 CABLE ASSEMBLY  
 306392 CABLE W/CONTACT ASSEMBLY  
 306356 SWITCH W/CABLE  
 306564 CABLE W/SWITCH  
 330786 CABLE DETECTOR CONTACT
  8. ASSOCIATED SCHEMATIC:  
 8560WD.
  9. REFERENCE SPEC. FOR TELETYPE CORPORATION EMPLOYEES ONLY 61,488S



ACTUAL WIRING DIAGRAM FOR M37 TYPING UNIT & STUNT BOX YP812 YAG

APPROVALS	
D AND R <i>HJK</i>	E OF M <i>[Signature]</i>
E-NUMBER	
PROD. NO. 8562WD	
DATE 12/15/67	
P.D. FILE NO. 1-30.354AA	
DRAWN RTS	CHKD. <i>[Signature]</i>
ENGD. DAK	APPD. <i>RRS</i>
TELETYPE CORPORATION	

# 8562 WD