

BELL SYSTEM PRACTICES
Teletypewriter and Data Stations

SECTION P30.437
Issue 1, February, 1961
AT&TCo Standard

POWER CONNECTION PLANS
XRT200, XRT201, XRT205,
AND XRT206 TELETYPEWRITER TABLES

1. GENERAL

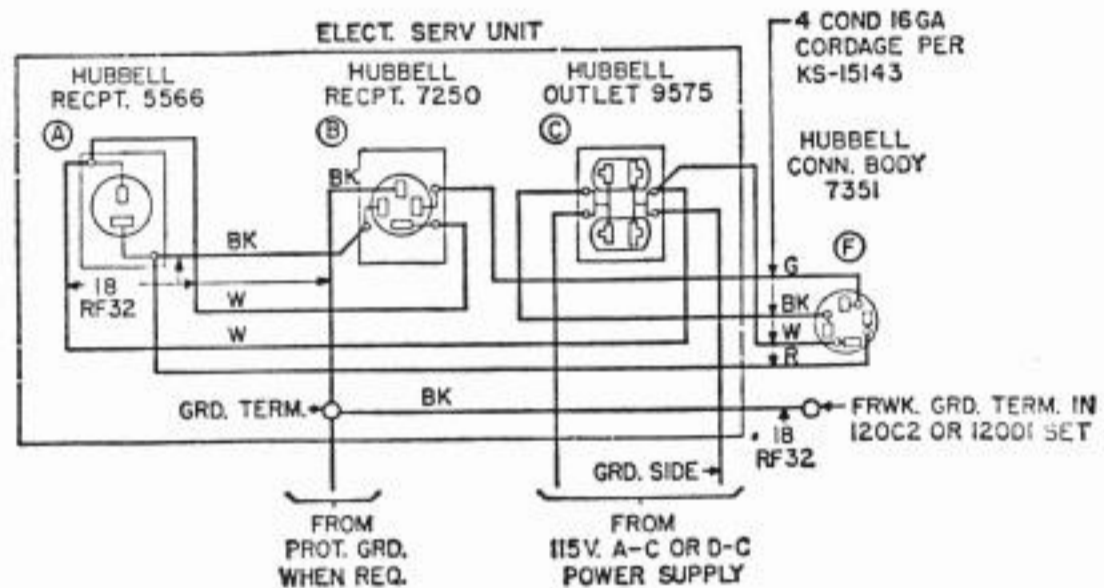
1.01 This section contains power connection plans for the XRT200, XRT201, XRT205, and XRT206 teletypewriter tables.

1.02 Power wiring for these tables is also found in the P90 sections listed below. These P90 sections (listed in P10.329) give complete wiring for the station:

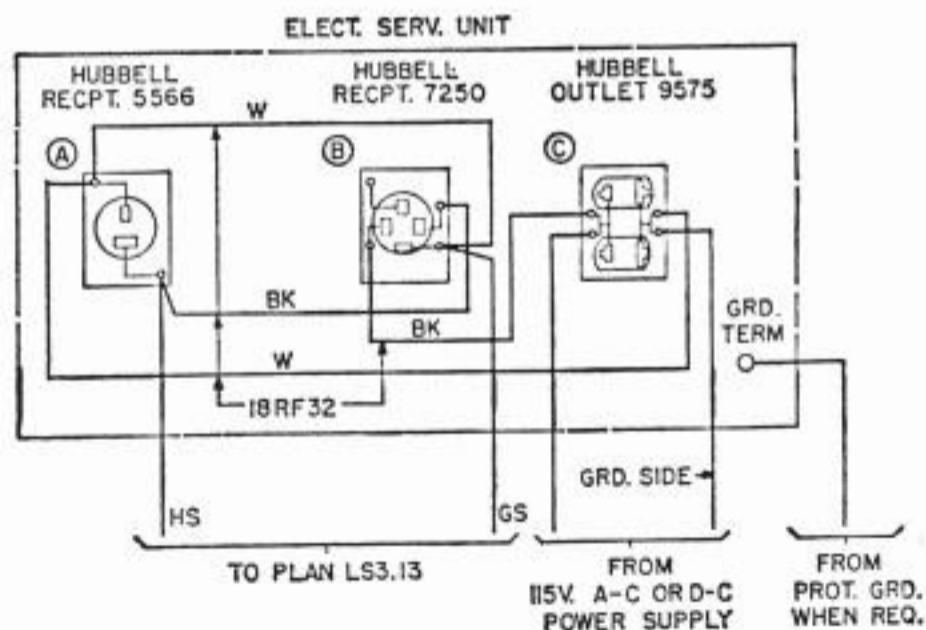
<u>BSP</u>		<u>Service</u>	<u>TTY</u>	<u>Teletypewriter Table</u>
P90.313	130B1	Private Line	14	14B or XRT200
P90.315		—	14(TD)	XRT200
P90.316	130B2	Private Line	14	14B or XRT200
P90.513		Attended TWX	15	XRT200 or XRT201
P90.514		Attended TWX	15	XRT200 or XRT201
P90.518	130B1	Unattended TWX	15	15N, XRT200, or XRT201
P90.519	130B1	Private Line	15	15N, XRT200, or XRT201
P90.520	130B2	Private Line	15	15N, XRT200, or XRT201
P90.521	130B2	Attended TWX	15	15N, XRT200, or XRT201
P90.522	130B2	Unattended TWX	15	15N, XRT200, or XRT201
P90.523	128C3	Attended TWX	15	XRT200 or XRT201
P90.524	128C3	Unattended TWX	15	XRT200 or XRT201
P90.525	130B1	Attended TWX	15	XRT200 or XRT201
P90.715	130B1	Attended TWX	19	19A, XRT205, or XRT206
P90.716	130B1	Unattended TWX	19	19A, XRT205, or XRT206
P90.717	130B1	Private Line	19	19A, XRT205, or XRT206
P90.718		Attended TWX	19	XRT205 or XRT206
P90.719	130B2	Attended TWX	19	XRT205 or XRT206
P90.722	130B2	Private Line	19	19A, XRT205, or XRT206
P90.723	130B2	Unattended TWX	19	19A, XRT205, or XRT206
P90.724	128C3	Attended TWX	19	XRT205 or XRT206
P90.725	128C3	Unattended TWX	19	XRT205 or XRT206

1.03 The power connection plans covered in this section are as follows:

<u>Plan Number</u>	<u>Title</u>
P5.14	XRT200 or XRT201 Table—120C2 or 120D1 Set or 120C2 and 128C2 Sets—Unattended Service
P5.15	XRT200 or XRT201 Table—128C2 Set—Attended TLX Service
P6.11	XRT205 or XRT206 Table—120C2 or 120D1 Set
P6.12	XRT205 or XRT206 Table—128C2 TTY Sub. Set—Attended TLX Service



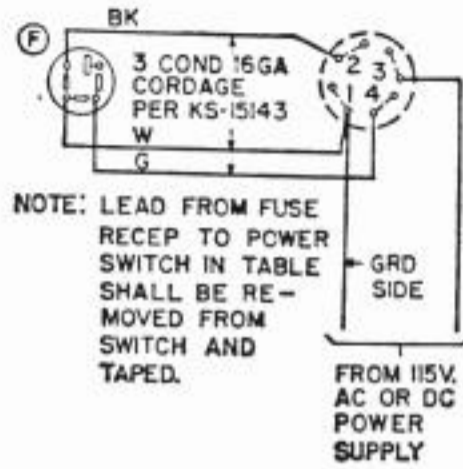
P5.14 XRT200 or XRT201 Table—120C2 or 120D1 Set or 120C2 and 128C2 Sets—Unattended Service



P5.15 XRT200 or XRT201 Table—128C2 Set—Attended TLX Service

HUBBELL
CONN BODY
735I

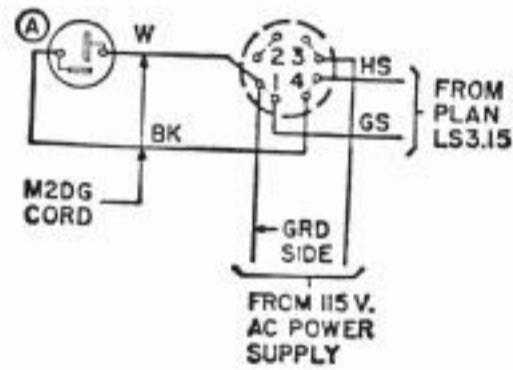
CONN BLOCK
IN XRT205 OR
XRT206 TTY
TABLE



**P6.11 XRT205 or XRT206 Table—
120C2 or 120D1 Set**

HUBBELL
CONN BODY
709I

CONN BLOCK
IN XRT205 OR
XRT206 TTY
TABLE



**P6.12 XRT205 or XRT206 Table—
128C2 TTY Sub. Set—
Attended TLX Service**