

BELL SYSTEM PRACTICES
Teletypewriter and Data Stations

SECTION P30.655
Issue 8, February, 1960
AT&TCo Standard

STATION ASSEMBLY

15N TABLE

1. GENERAL

- 1.01 This section shows the Station Assembly Plans for the 15N Table.
- 1.02 This section is reissued to remove mounting screw piece-part numbers, to indicate that the 531A3 teletypewriter subscriber set is rated Manufacture Discontinued, and to add Plan SA5.35. Detail changes are as follows:

For Plan SA5.01

- (1) The P-160201 screws for mounting apparatus were changed to 8 RHW screws.
 - (2) The 531-type subscriber set was changed to 531A3 subscriber set (Manufacture Discontinued).
- 1.03 Tables manufactured prior to September 1936, were not provided with ventilating holes in the rear panel and had three glue blocks on the right front leg. On these tables, the 584-type subset may be located sufficiently to the rear of the position shown in SA5.01 to clear the glue blocks when the front door is not used.
- 1.04 When the 15B front door and the 584-type subset are used, the lower and a portion of the middle glue block must be removed.
- 1.05 If a 15B front door and a motor-generator are used, a table with ventilating holes is required.
- 1.06 All wiring added on the 15N TTY table shall be held in place by running it through the screw eyes provided on the table.
- 1.07 The 150A1, 150B1, or 150C1 wave shaping set may be mounted at the telegraph loop switchboard when desired.
- 1.08 All leads to the 128C1 set shall be long enough to permit placing the unit on the floor for adjusting and maintenance purposes without disconnecting any of the leads. The ex-

cess length for this purpose shall be stored in the box and under the unit.

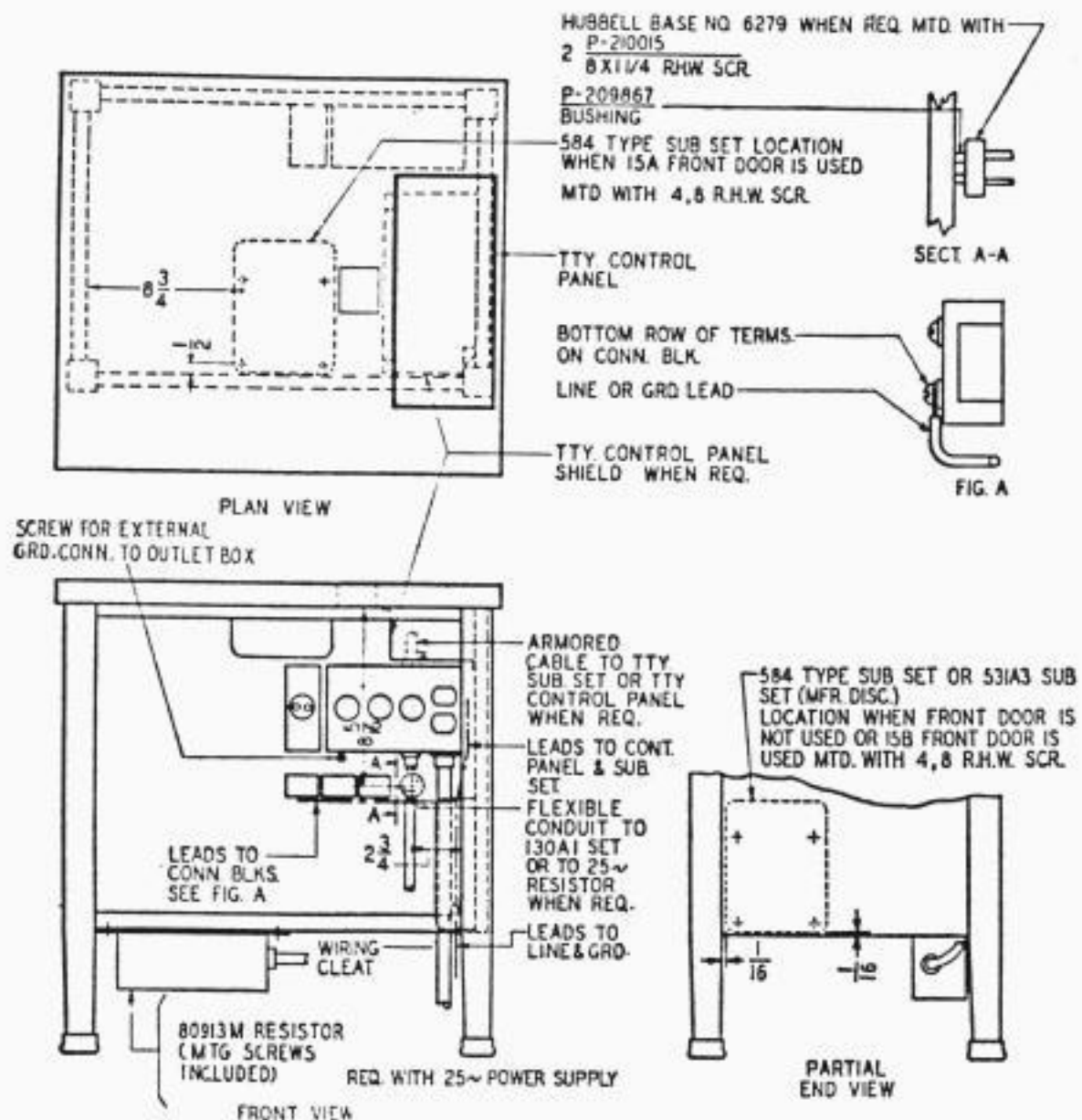
1.09 The flexible conduit furnished with the 130A1 subset which runs between the power switch and the receptacle box shall be securely fastened with clamp to the underside of table top.

1.10 Inside wiring cleats per AT&TCo Spec. 6549 are satisfactory for supporting line and ground leads to connecting blocks of Plan SA5.01.

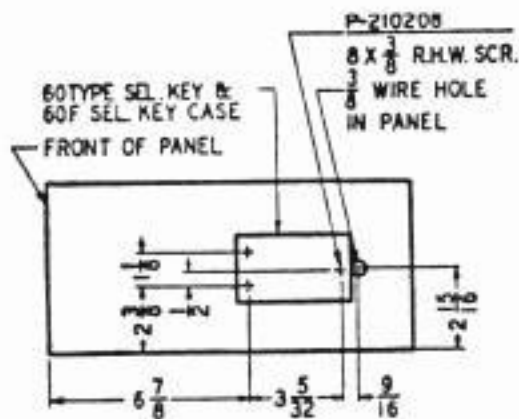
1.11 The following plans are included:

<u>Plan No.</u>	<u>Title</u>
SA5.01	15N Table General Arrangement
SA5.02	15 Type Control Panel with One Selector Key
SA5.03	15 Type Control Panel with Two Selector Keys
SA5.04	15A Control Panel Blank
SA5.05	15 Type Control Panel or 15A Control Panel Blank
SA5.06	130A1 Set
SA5.07	Signal Lamp Standard—122A2 or 123A2 Set
SA5.08	120A1 Set Control Box
SA5.09	120A1 or 128A1 Set
SA5.10	122A2 or 123A2 Set
SA5.11	Local Test Potentiometer for Type "A" Polaren- tial Station or Station Line Resistances for 122A2 or 123A2 Set—15E Control Panel
SA5.12	Recall Key—122A2 Set without Signal Lamp, or 128A1 Set—15E Control Panel
SA5.13	Lamp Control Key—122A2 Set without Recall Key, or 123A2 Set—15E Control Panel
SA5.14	Recall Key and Lamp Control Key—122A2 Set— 15E Control Panel
SA5.15	15E Control Panel—All Apparatus Drillings Equipped with Apparatus Blanks
SA5.16	15E Control Panel—Call Key for TWP Service
SA5.21	Signal Bell—123A2 Set
SA5.22	150A1, 150B1 or 150C1 Wave Shaping Set
SA5.23	150A1, 150B1 or 150C1 Wave Shaping Set (where SA5.22 cannot be used)
SA5.24	120C1, 120C2 or 120D1 Set
SA5.25	15A Front Door
SA5.26	15B Front Door

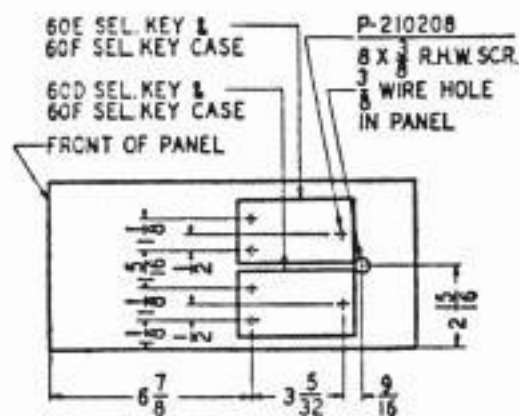
<u>Plan No.</u>	<u>Title</u>
SA5.27	128C1 or 128C2 Set—Attended Service
SA5.28	128C1 or 128C2 Set—Unattended Service
SA5.29	150D1, 150E1 or 150F1 Wave Shaping Sets
SA5.30	150D1, 150E1 or 150F1 Wave Shaping Sets—(where SA5.29 cannot be used)
SA5.31	152A1 60-Cycle Induction Suppression Unit
SA5.32	15F Control Panel—Location of Call Key for TWP Service when Power Supply is 220 V. DC
SA5.33	Fustat or Plug-type Fusetron Mounting for Remotely Controlled TWP Station with Holding Magnet Typing Unit
SA5.34	15 Type Control Panel or 15A Control Panel Blank—Method of Mounting in 15N Table with One Mounting Bar
SA5.35	Location of 687A3 Subscriber Set on 15N Table



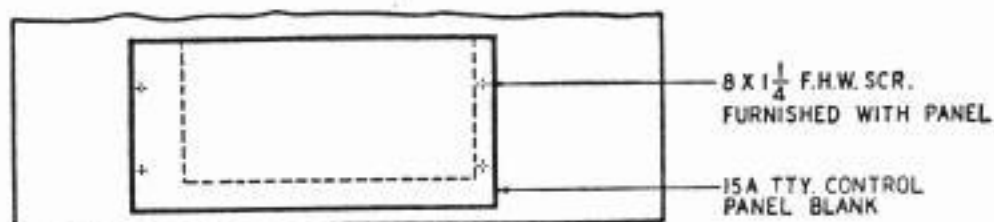
SA5.01 — 15N Table — General Arrangement



SA5.02 — 15 Type Control Panel with One Selector Key

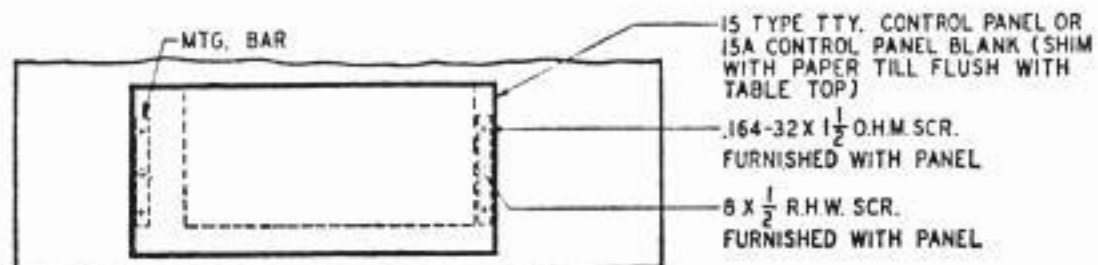


SA5.03 — 15 Type Control Panel with Two Selector Keys



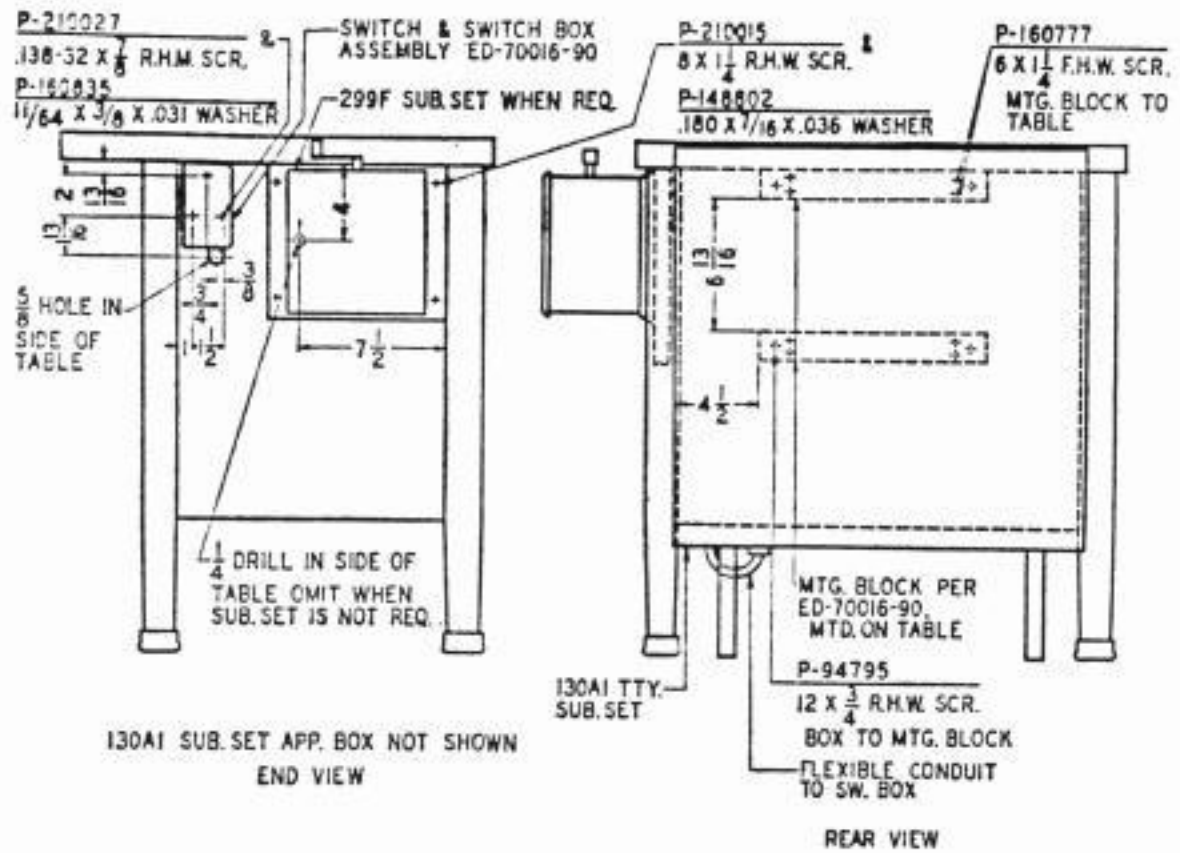
NOTE: F.H.W. SCRS ARE RUN IN FROM UNDERSIDE OF TABLE TOP

SA5.04 — 15A Control Panel Blank — Method of Mounting in Table when Mounted with Wood Screws from Underside

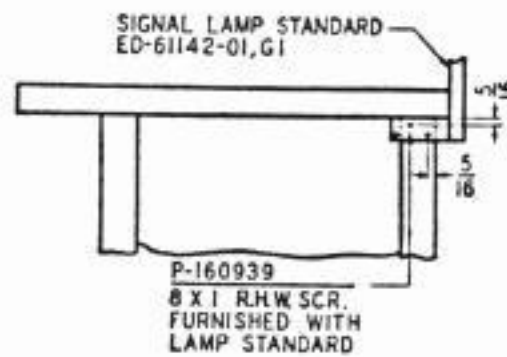


NOTE: CONTROL PANEL SHALL BE MOUNTED WITH THE O.H.M. SCRS. BEFORE APPLYING THE R.H.W. SCRS.

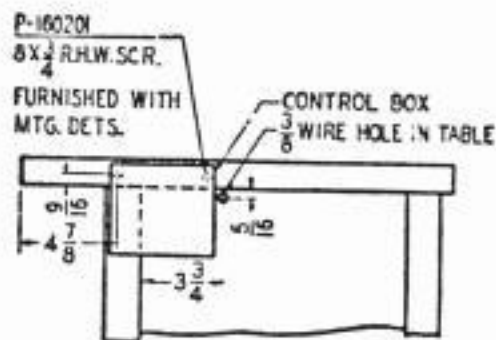
SA5.05 — 15 Type Control Panel or 15A Control Panel Blank — Method of Mounting in Table Using Two Mounting Bars



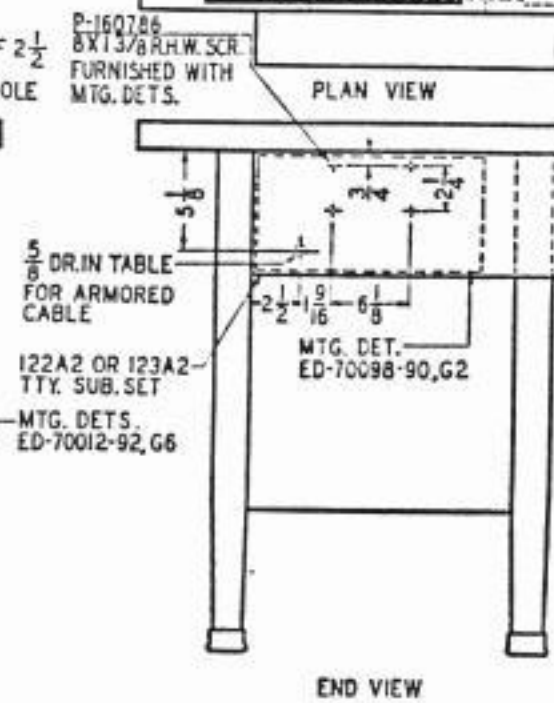
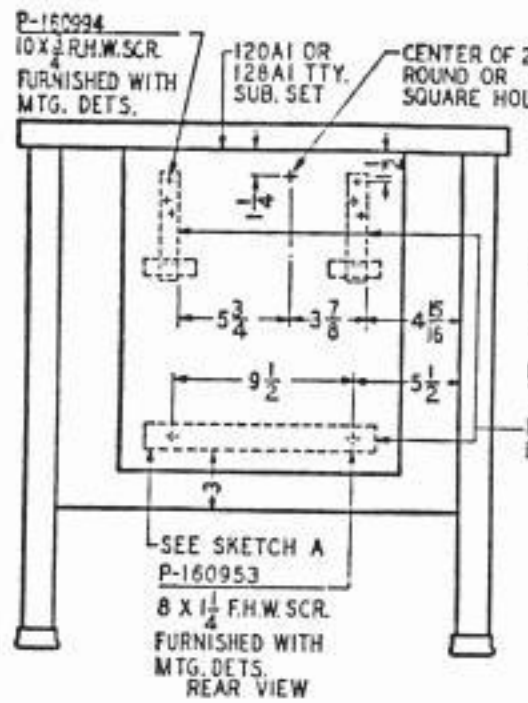
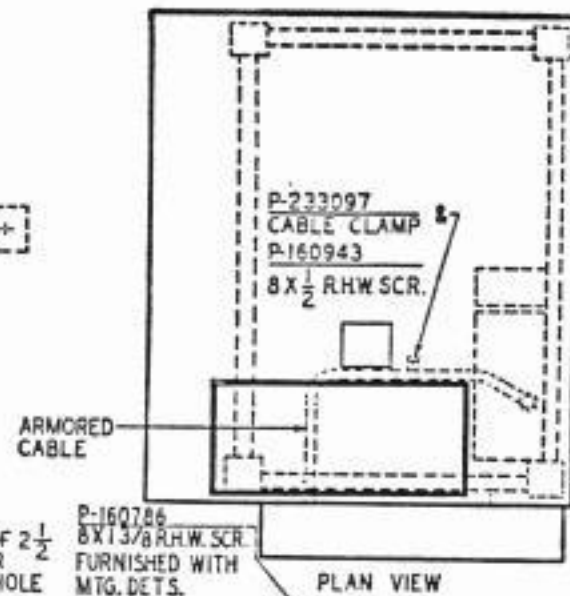
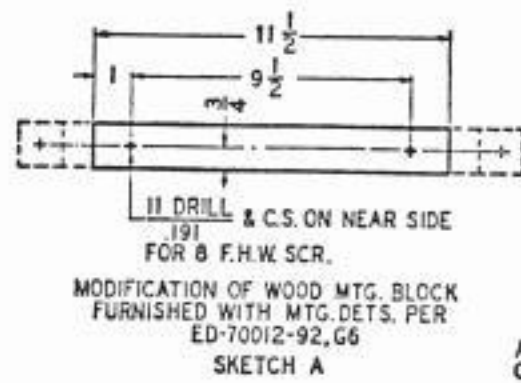
SA5.06 — 130A1 Set — 15N Table



SA5.07 — Signal Lamp Standard — 122A2 or 123A2 Set — 15N Table

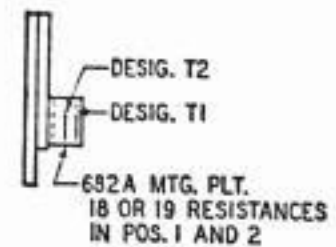
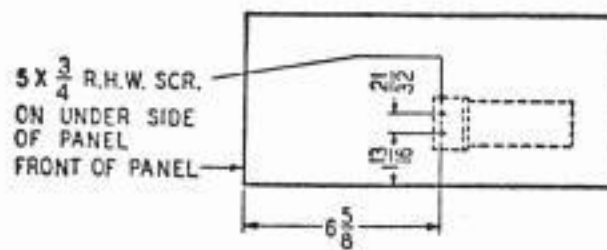


SA5.08 — 120A1 Set Control Box — 15N Table



SA5.09 — 120A1 or 128A1 Set — 15N Table

SA5.10 — 122A2 or 123A2 Set — 15N Table



SA5.11 — Local Test Potentiometer for Type "A" Polarential Station or Station Line Resistances for 122A2 or 123A2 Set — 15E Control Panel

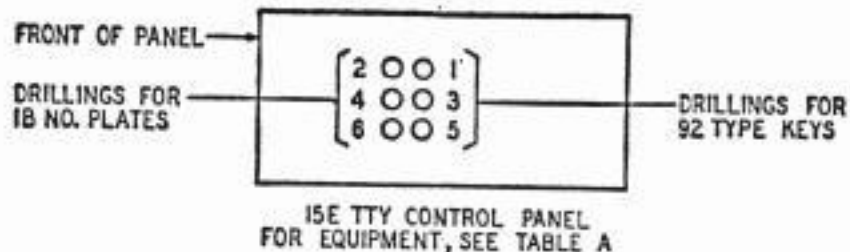
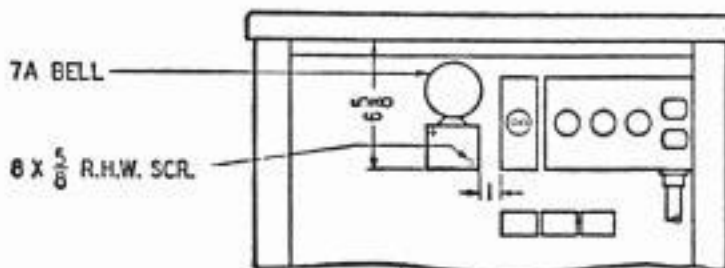
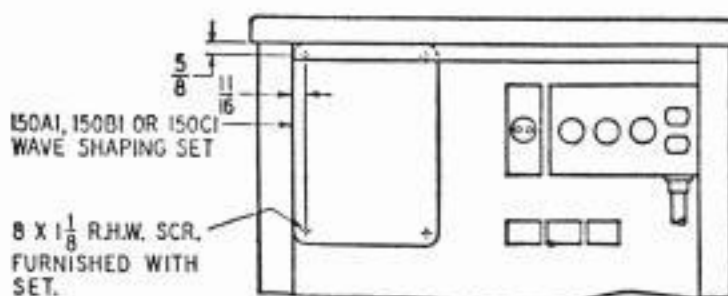


TABLE A

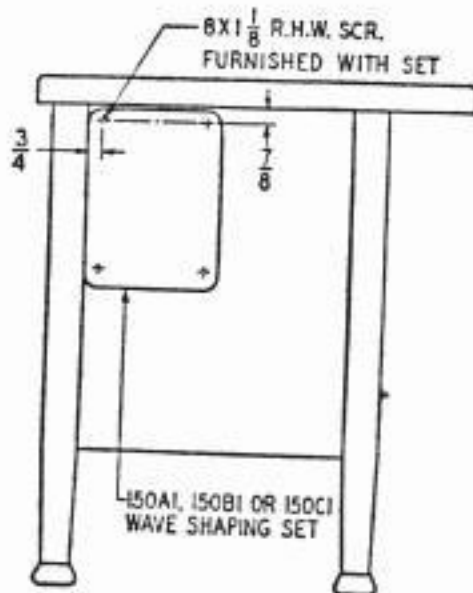
PLAN NUMBER AND TITLE	PANEL EQUIPMENT					
	POS. 1	POS. 2	POS. 3	POS. 4	POS. 5	POS. 6
SA5.12 RECALL KEY - 122A2 SET WITHOUT SIGNAL LAMP, OR 128A1 SET - 15E CONTROL PANEL	40 B APP. BLK.	15 B APP. BLK.	92W KEY	1B NO. PLT. (RECALL)	40B APP. BLK.	15 B APP. BLK.
SA5.13 LAMP CONTROL KEY - 122A2 SET WITHOUT RECALL KEY, OR 123A2 SET - 15E CONTROL PANEL	40 B APP. BLK.	15 B APP. BLK.	40B APP. BLK.	15 B APP. BLK.	92 AC KEY	1B NO. PLT. (LAMP)
SA5.14 RECALL KEY AND LAMP CONTROL KEY - 122A2 SET - 15E CONTROL PANEL	40 B APP. BLK.	15 B APP. BLK.	92 W KEY	1B NO. PLT. (RECALL)	92 AC KEY	1B NO. PLT. (LAMP)
SA5.15 15E CONTROL PANEL - ALL APPARATUS DRILLINGS EQUIPPED WITH APPARATUS BLANKS	40B APP. BLK.	15B APP. BLK.	40B APP. BLK.	15 B APP. BLK.	40B APP. BLK.	15B APP. BLK.
SA5.16 15E CONTROL PANEL - CALL KEY FOR TWP SERVICE	40B APP. BLK.	15B APP. BLK.	92W KEY	1B NO. PLT. (CALL)	40B APP. BLK.	15B APP. BLK.



SA5.21 — Signal Bell — 123A2 Set — 15N Table

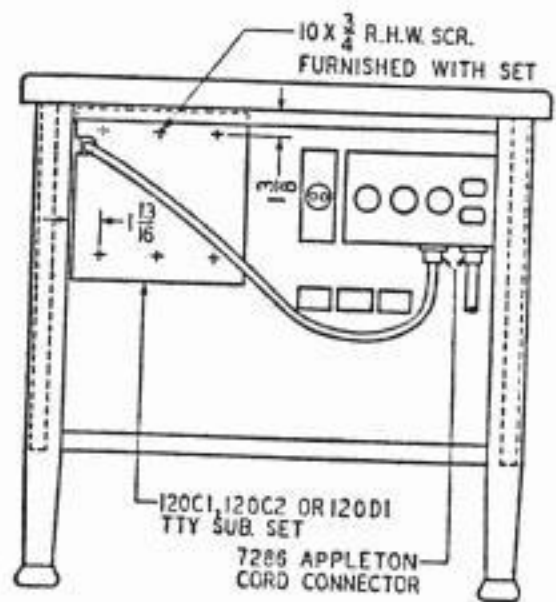


SA5.22 — 150A1, 150B1 or 150C1 Wave Shaping Set — 15N Table



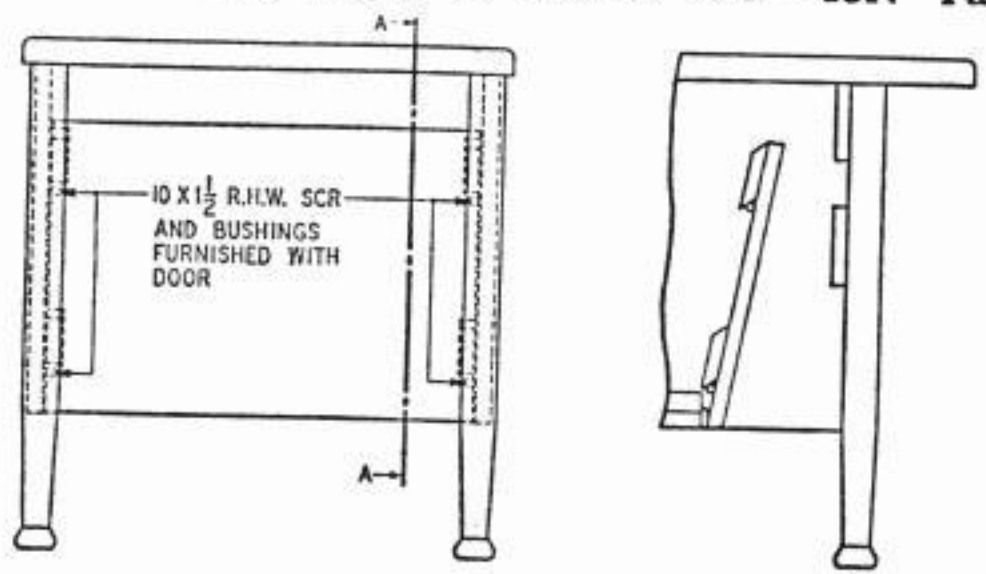
LEFT END VIEW

SA5.23 — 150A1, 150B1 or 150C1 Wave Shaping Set — 15N Table (When Location Shown in SA5.22 is not Available)

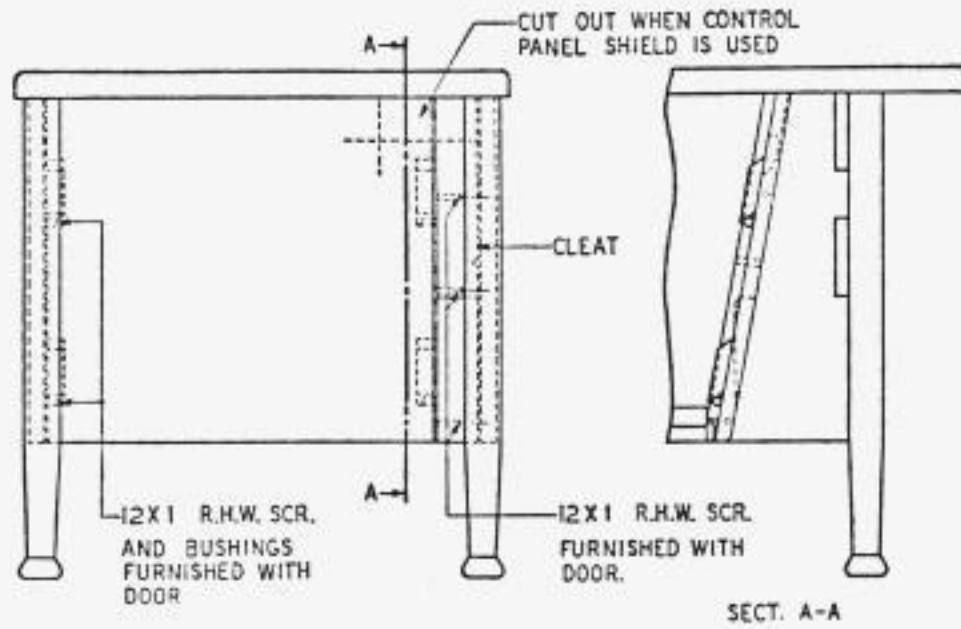


FRONT VIEW

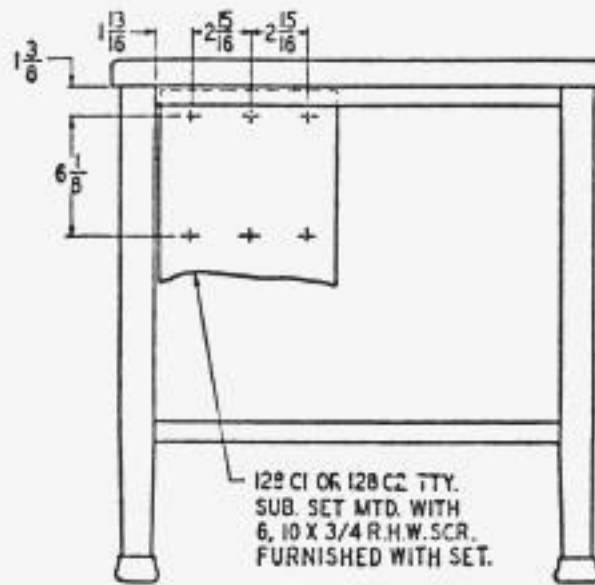
SA5.24 — 120C1, 120C2 or 120D1 Set — 15N Table



SA5.25 — 15A Front Door — Method of Mounting

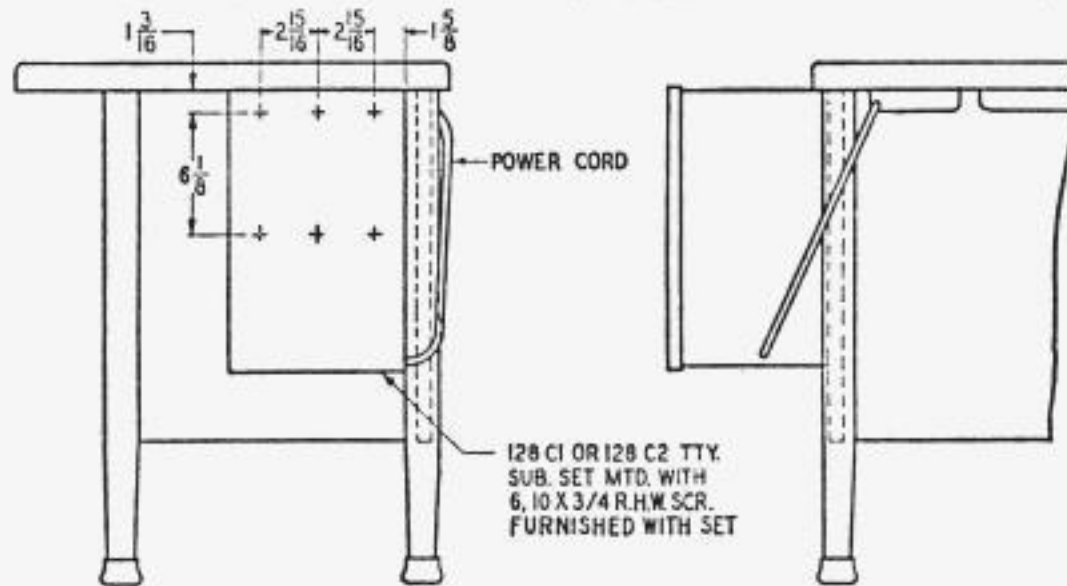


SA5.26 — 15B Front Door — Method of Mounting



FRONT VIEW

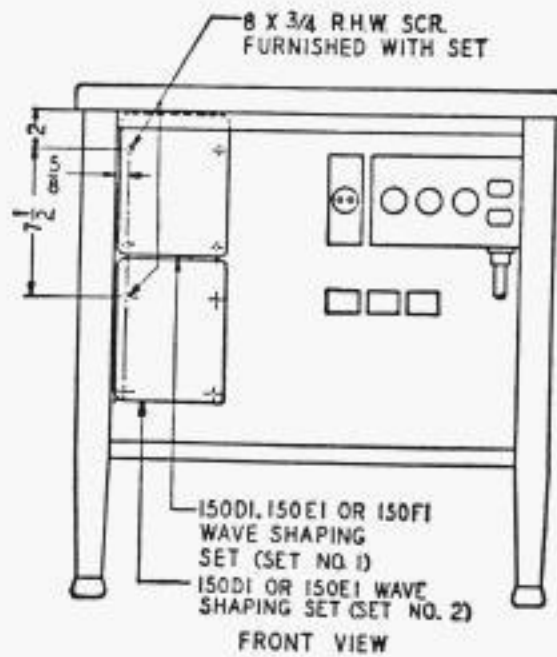
SA5.27 — 128C1 or 128C2 Set — 15N Table — Attended Service



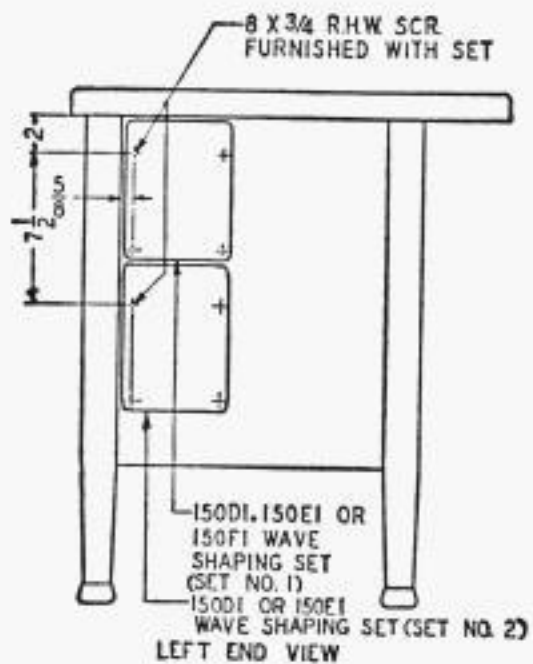
END VIEW

PARTIAL REAR VIEW

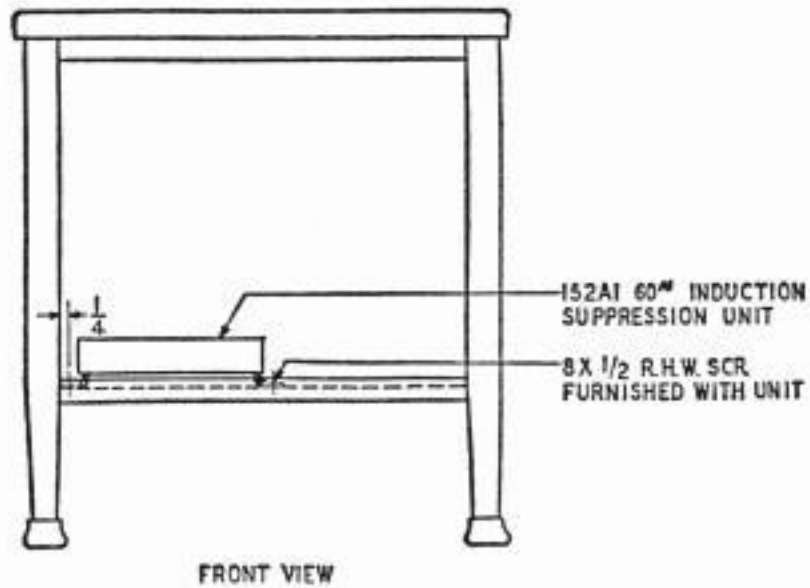
SA5.28 — 128C1 or 128C2 Set — 15N Table — Unattended Service



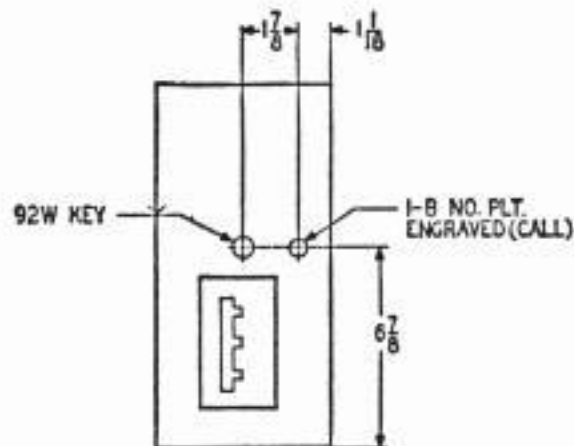
SA5.29 — 150D1, 150E1 or 150F1 Wave Shaping Set — 15N Table



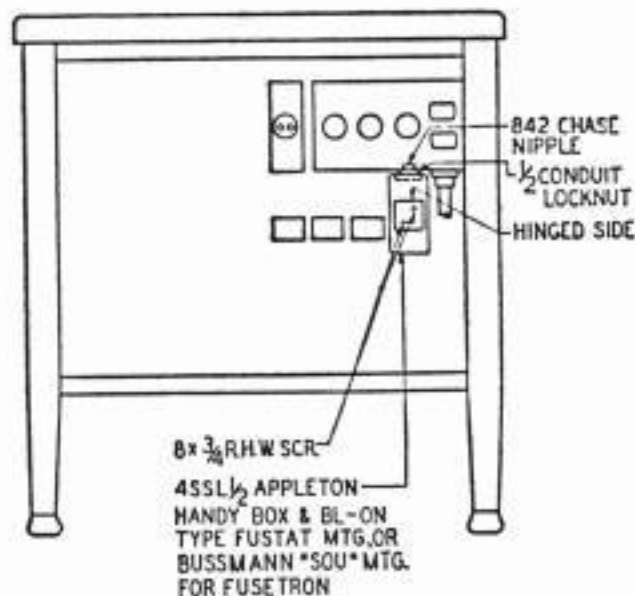
SA5.30 — 150D1, 150E1 or 150F1 Wave Shaping Set — 15N Table (When Location Shown in SA5.29 is not Available)



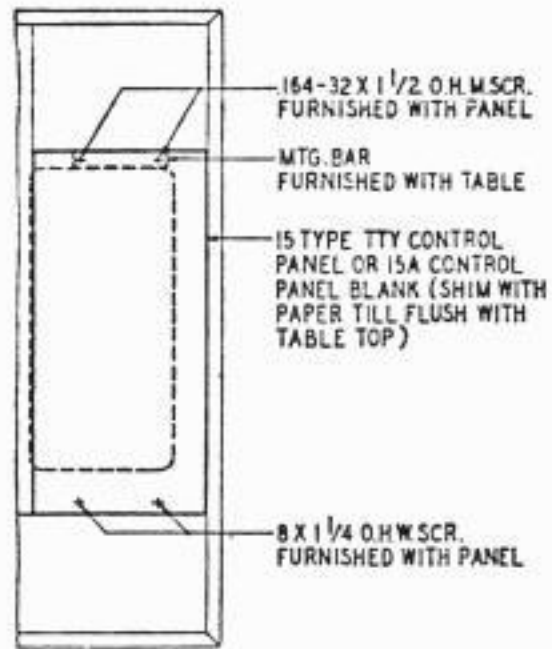
SA5.31 — 152A1 60~ Induction Suppression Unit — 15N Table



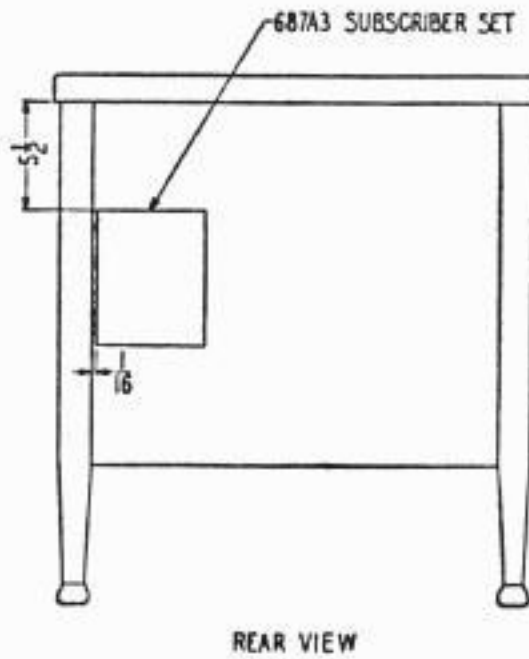
SA5.32 — 15F Control Panel — Location of Call Key for TWP Service when Power Supply is 220 V. D-C.



SA5.33 — Fustat or Plug Type Fusetron Mounting for Remotely Controlled TWP Station with Holding Magnet Typing Unit — 15N Table



SA5.34 — 15 Type Control Panel or 15A Control Panel Blank — Method of Mounting in 15N Table with One Mtg. Bar



SA5.35 — Location of 687A3 Subscriber Set on 15N Table