

**BELL SYSTEM PRACTICES**  
**Teletypewriter Stations**

**SECTION P30.658**  
**Issue 1, September, 1952**  
**AT&T Co Standard**

## **STATION ASSEMBLY**

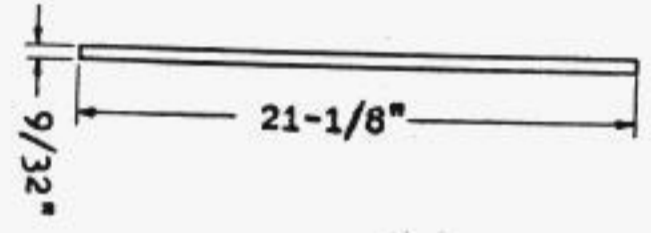
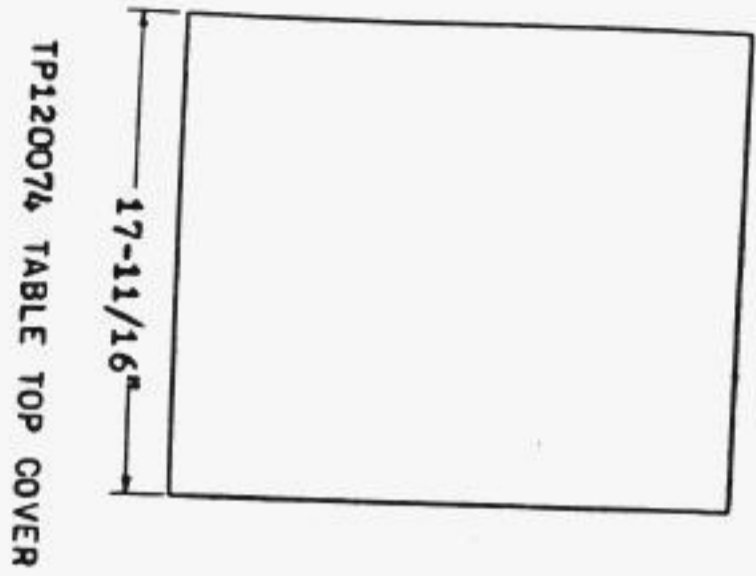
### **XRT200 AND XRT201**

### **TELETYPEWRITER TABLES**

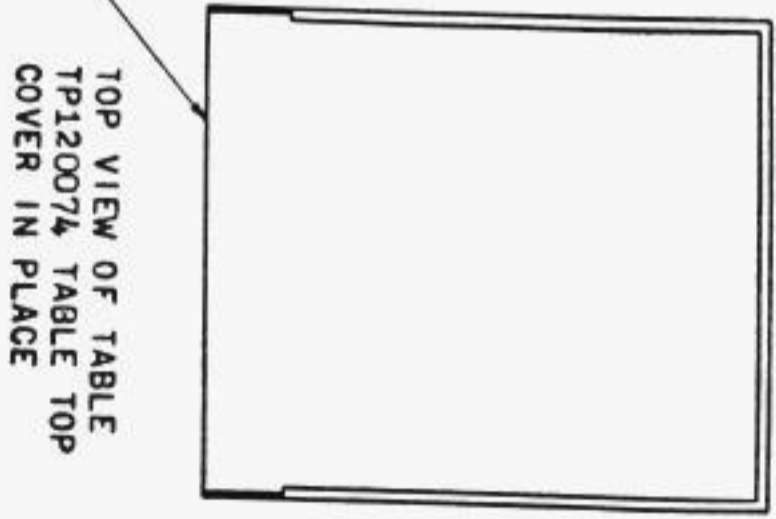
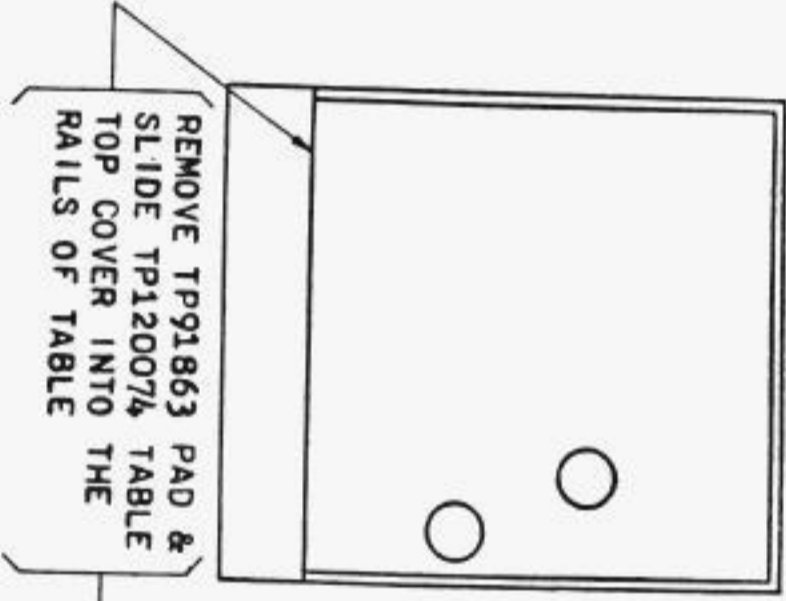
#### **I. GENERAL**

- 1.01 This section gives the Station Assembly Plans for XRT200 and XRT201 Teletypewriter Tables.
- 1.02 The following plans are included:

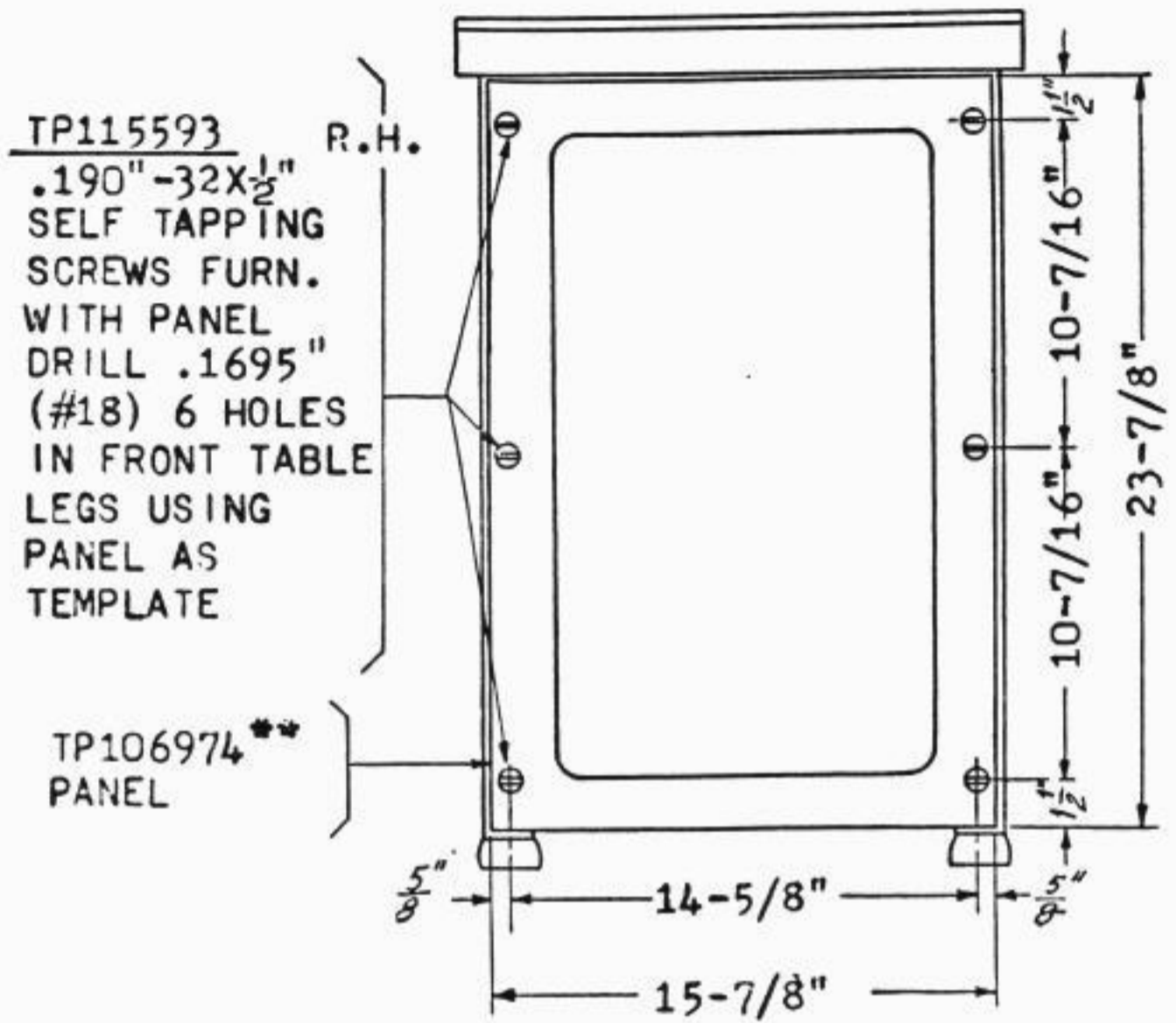
| <u>Plan No.</u> | <u>Title</u>   |
|-----------------|--|
| SA7.01          | Mounting of TP120074 Table Top Cover for XRT200 Table only |
| SA7.02          | Mounting of TP106974** Panel                               |
| SA7.03          | Mounting of TP106977** Baffle Plate                        |
| SA7.04          | Mounting of TP115730 Paper Supply Box Assembly             |
| SA7.05          | Mounting of TP117852 Electrical Service Assembly           |
| SA7.06          | Instruction Book Holder 38Y3736                            |
| SA7.07          | 64C1 Calling Station Arrangement                           |
| SA7.08          | 64C1 Receiving Station Arrangement                         |
| SA7.09          | Mounting of 122A Filter                                    |
| SA7.10          | 150A1, 150B1 or 150C1 Wave Shaping Set                     |
| SA7.11          | 150D1, 150E1 or 150F1 Wave Shaping Set                     |
| SA7.12          | 152A1—60 Cycle Induction Suppression Unit                  |



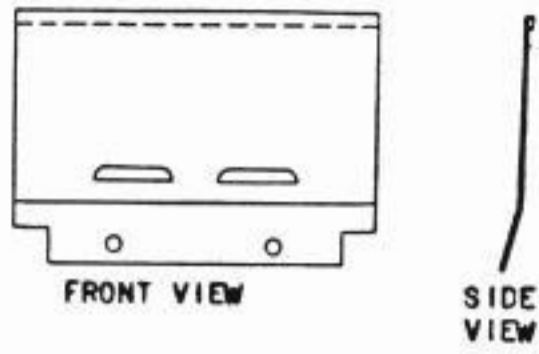
TOP VIEW OF TABLE



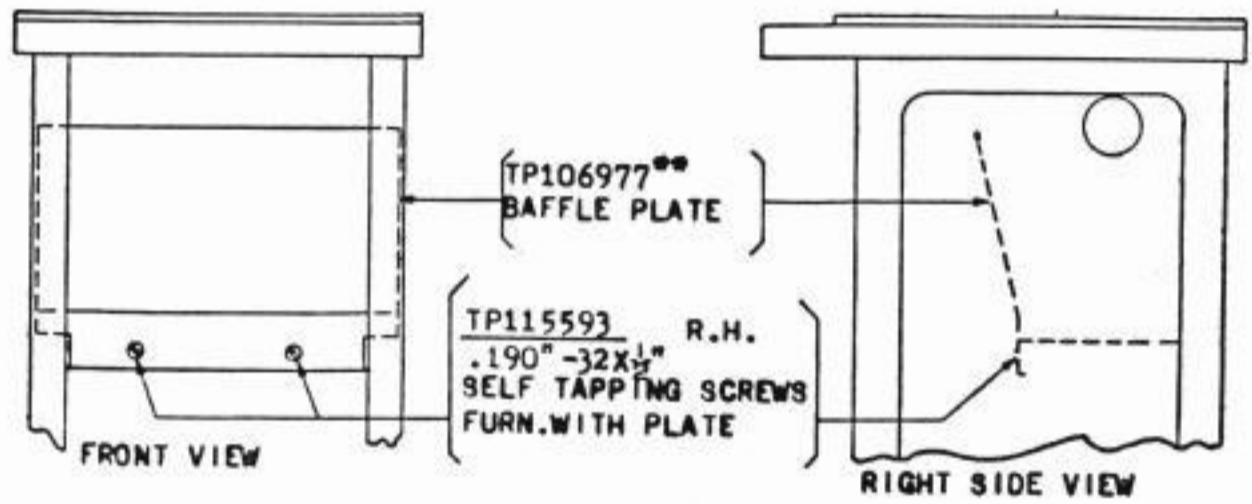
SA7.01 Mounting of TP120074 Table Top Cover for XRT 200 Table Only



SA7.02 Mounting of TP106974\*\* Panel

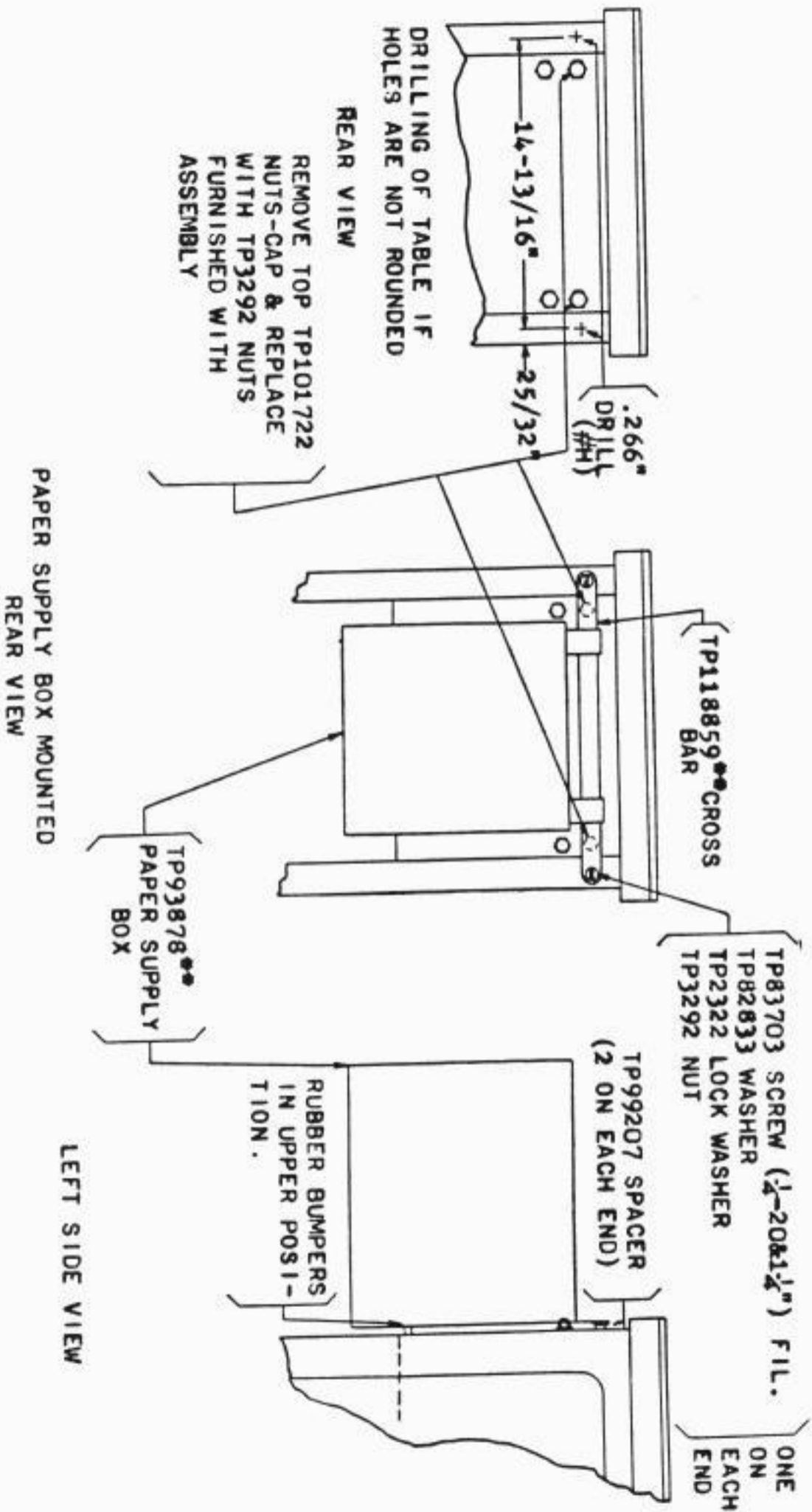


TP106977\*\* BAFFLE PLATE

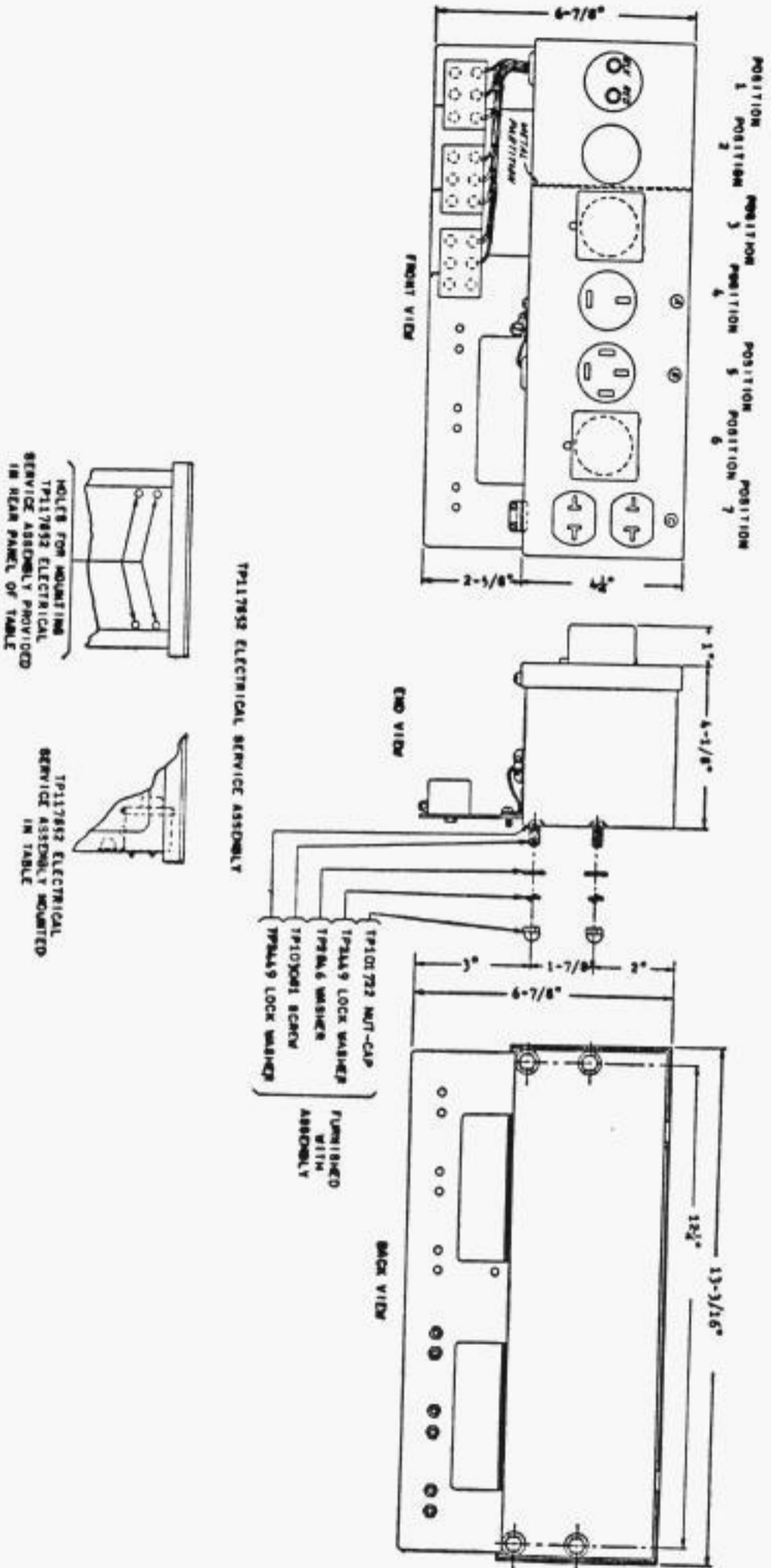


SA7.03 Mounting of TP106977\*\* Baffle Plate

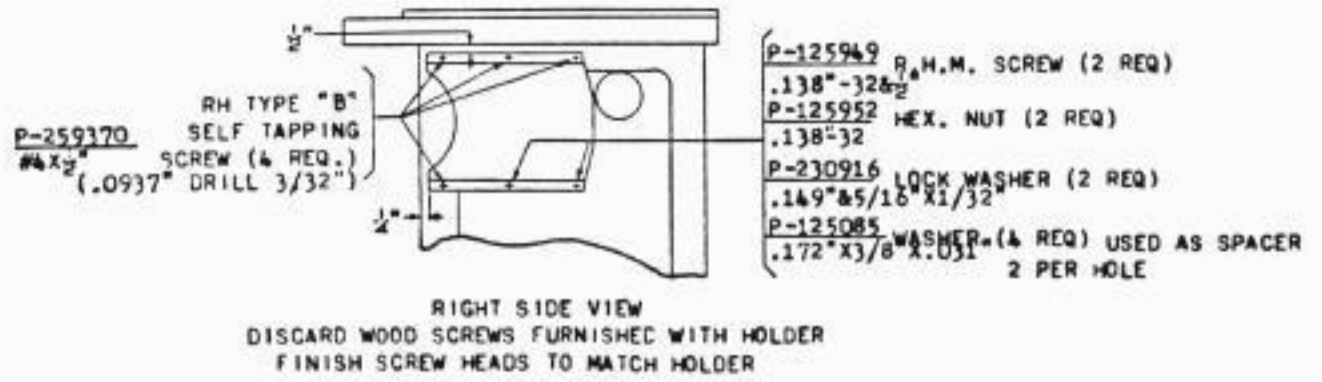
SA7.04 Mounting of TP115730 Paper Supply Box Assembly



STATION ASSEMBLY  
XRT200 AND XRT201  
TELETYPEWRITER TABLES

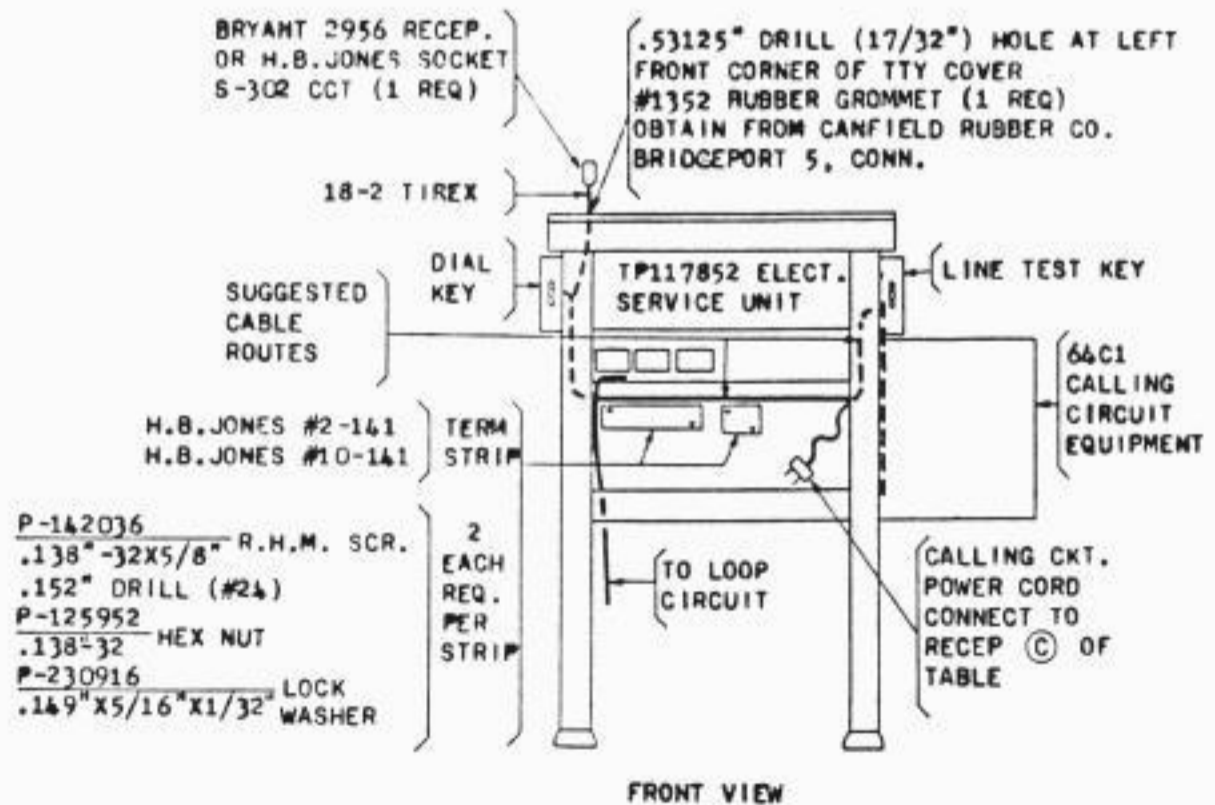
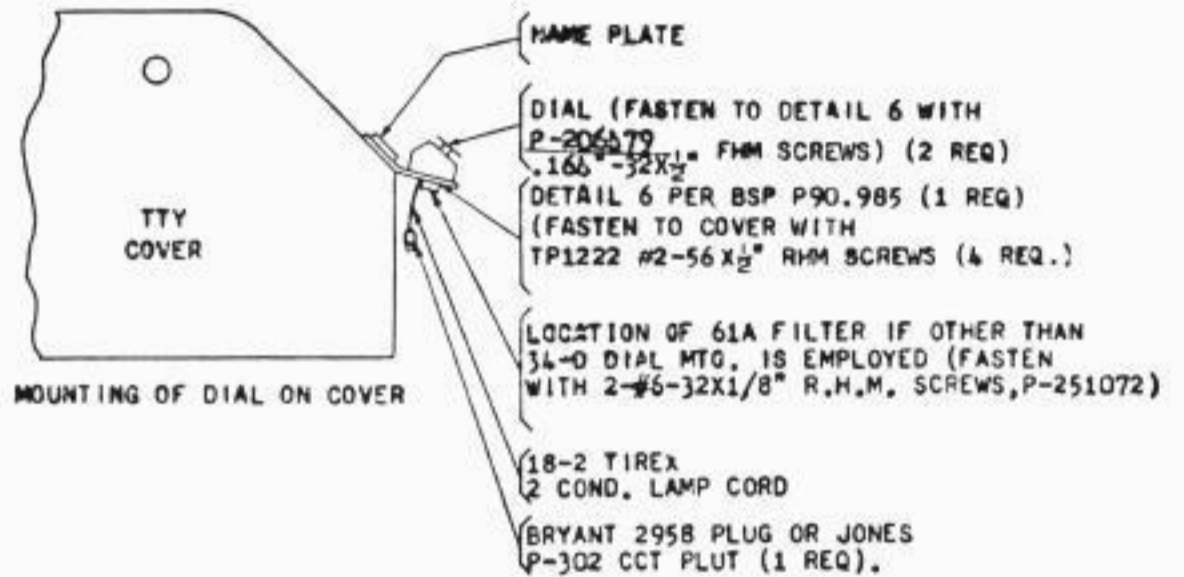


SA7.05 Mounting of TP117852 Electrical Service Assembly



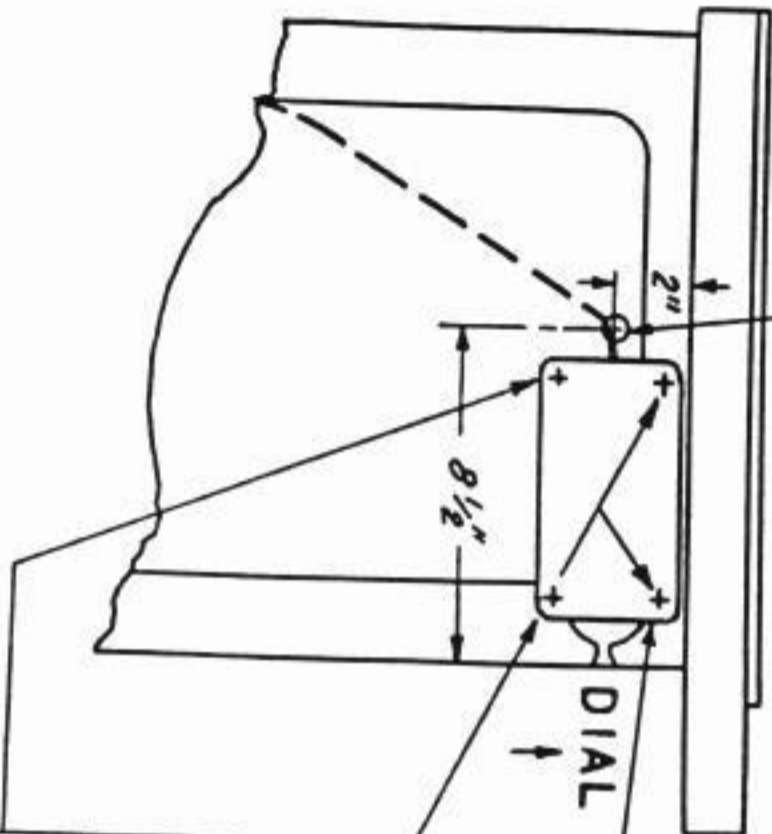
### SA7.06 Instruction Book Holder 38Y3736

Note: If space indicated is in use, select other suitable location.



### SA7.07A 64C1 Calling Station Arrangement

LEFT SIDE VIEW



#1352 RUBBER GROMMET (.53125" DRILL 17/32")  
 OBTAIN FROM CANFIELD RUBBER CO.  
 BRIGEPOR 5, CONN.

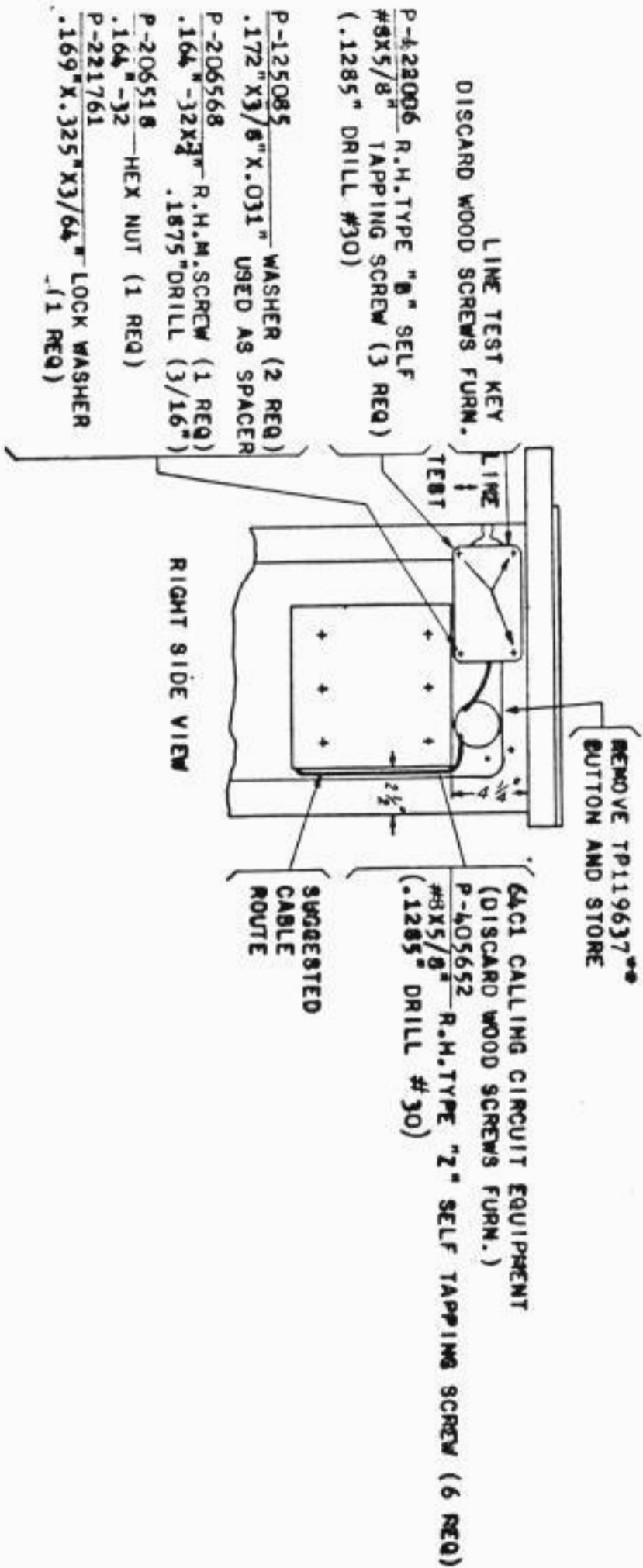
DIAL KEY  
 (DISCARD WOOD SCREWS FURN.)

P-422806 R.H. TYPE "B" SELF TAPPING  
 #8-5/8" SCREW (3 REQ.)  
 .1285" DRILL (#30)

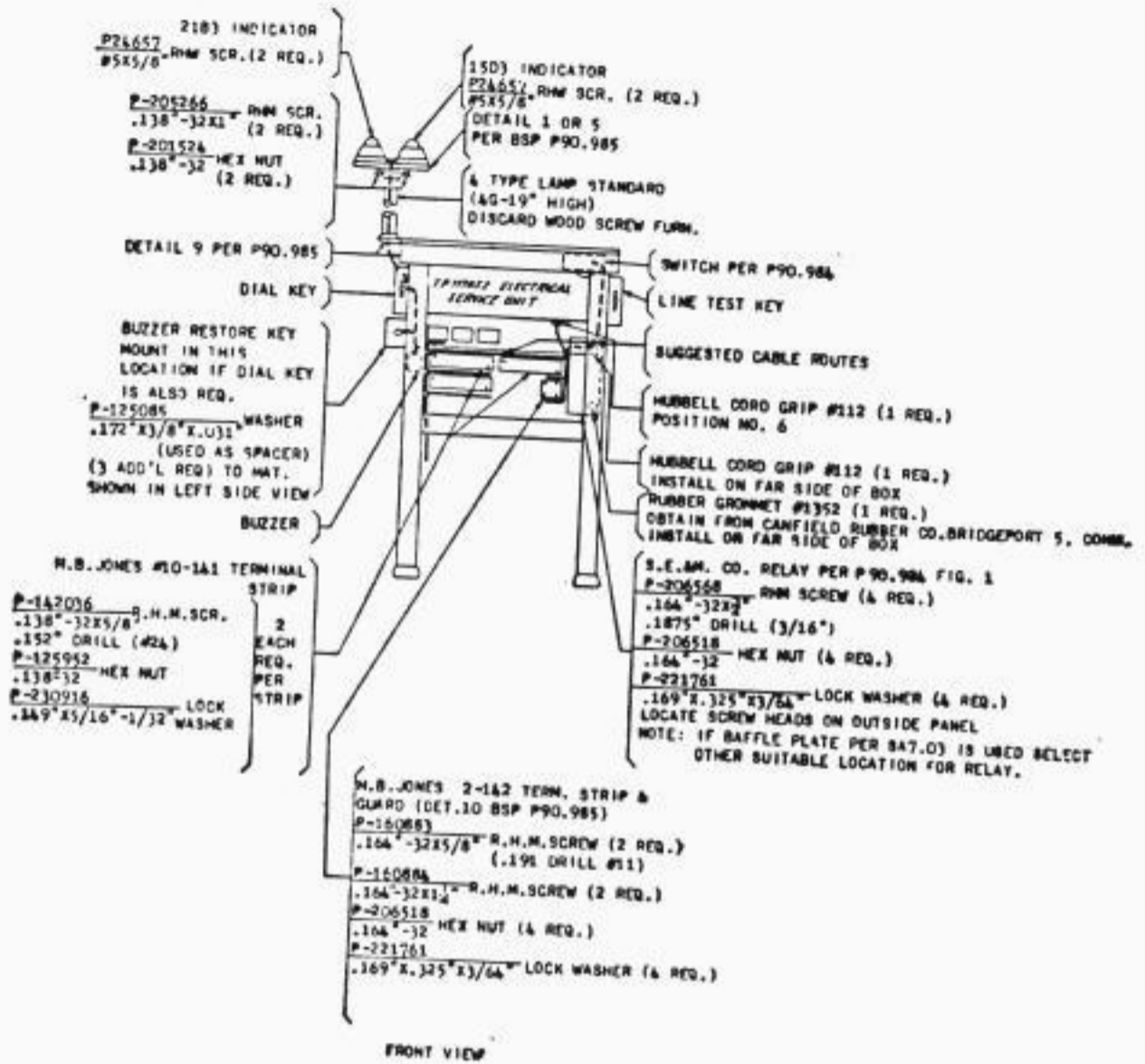
P-125085  
 .172" X 3/8" X .031" WASHER (2 REQ.)  
 P-206568  
 .164" - 32 X 3/4" R.H.M. SCREW (1 REQ.)  
 (.1875" DRILL 3/16")  
 P-206518  
 .164" - 32 HEX NUT (1 REQ.)  
 P-221761  
 .169" X .325" X 3/64" LOCK WASHER (1 REQ.)

SA7.07B 64C1 Calling Station Arrangement

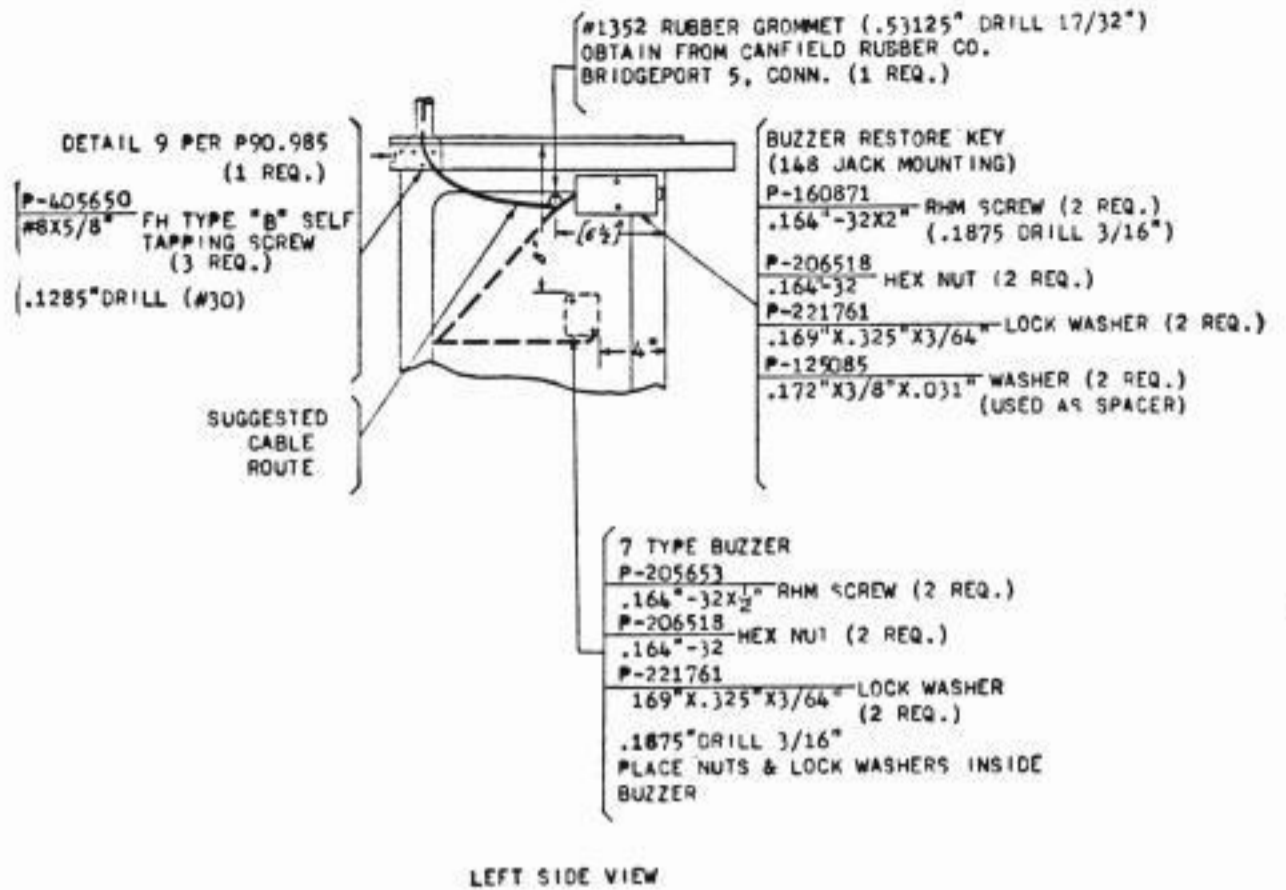




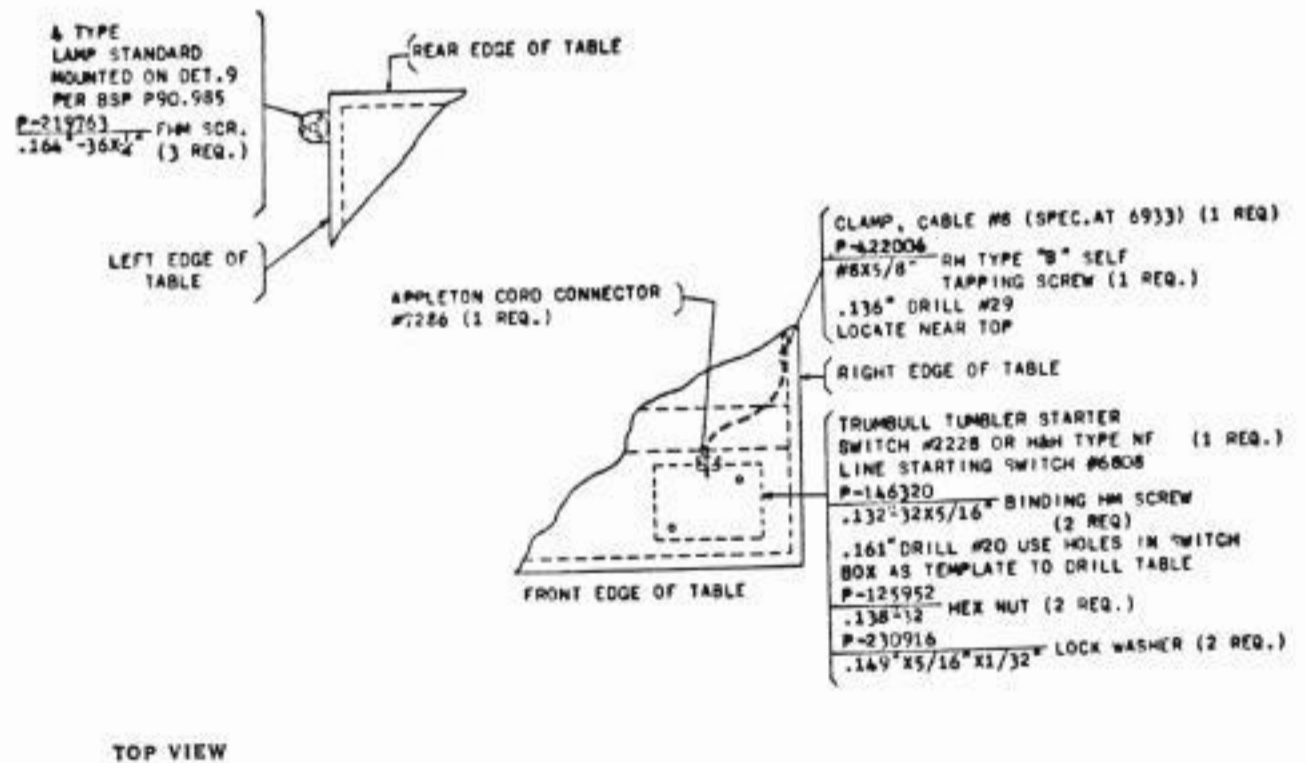
SA7.07C 64C1 Calling Station Arrangement



SA7.08A 64C1 Receiving Station Arrangement



### SA7.08B 64C1 Receiving Station Arrangement

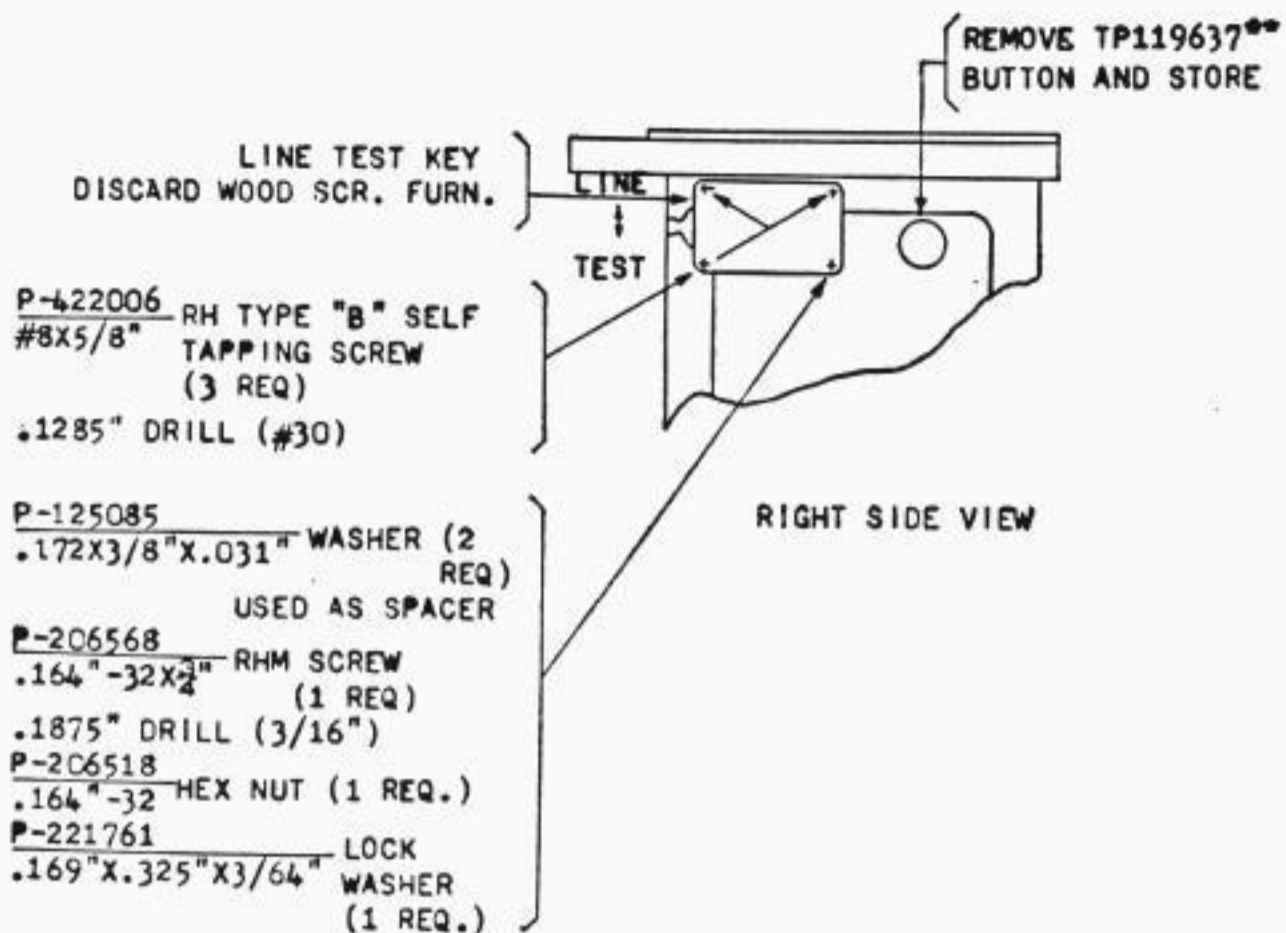


### SA7.08C 64C1 Receiving Station Arrangement

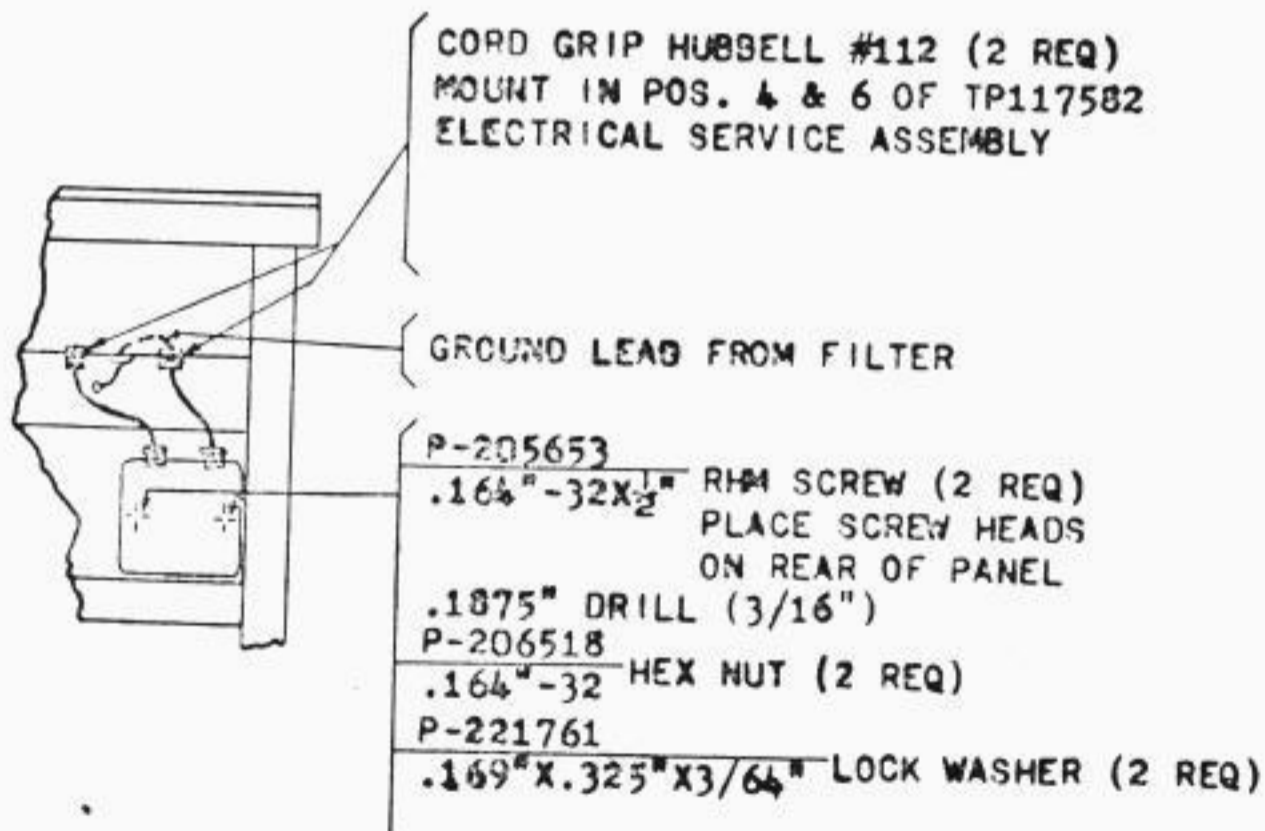
P30.658

Page 11

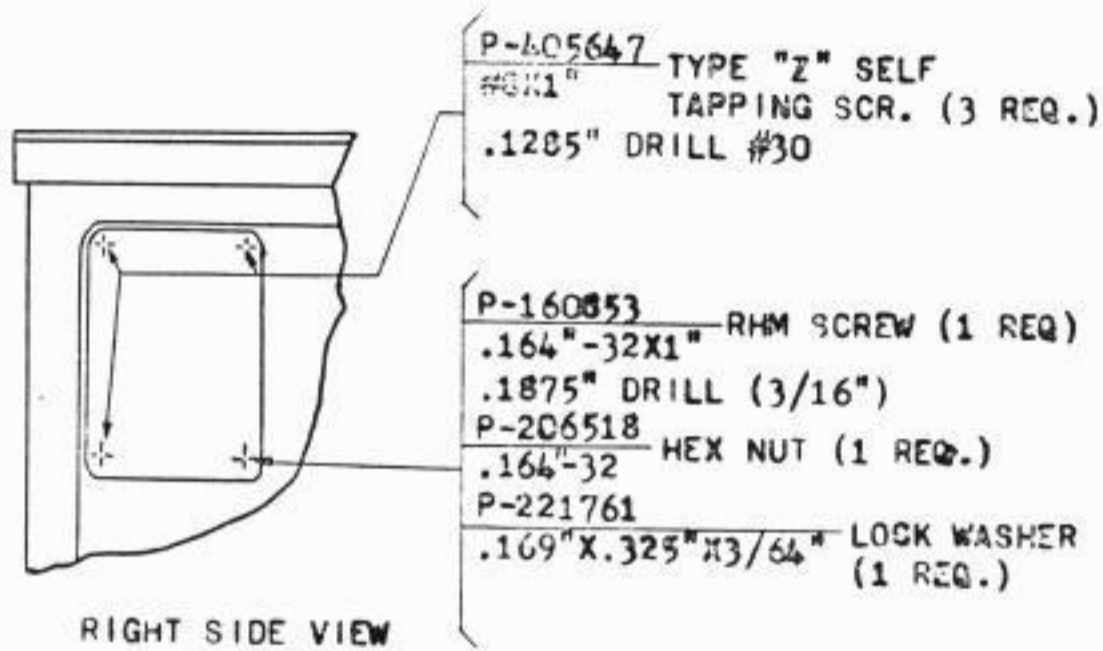
STATION ASSEMBLY  
XRT200 AND XRT201  
TELETYPEWRITER TABLES



SA7.08D 64C1 Receiving Station Arrangement

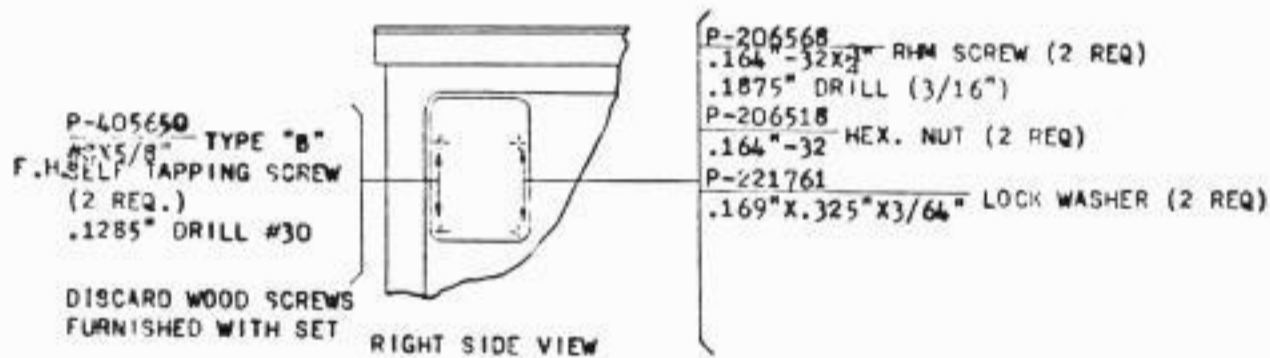


SA7.09 Mounting of 122A Filter

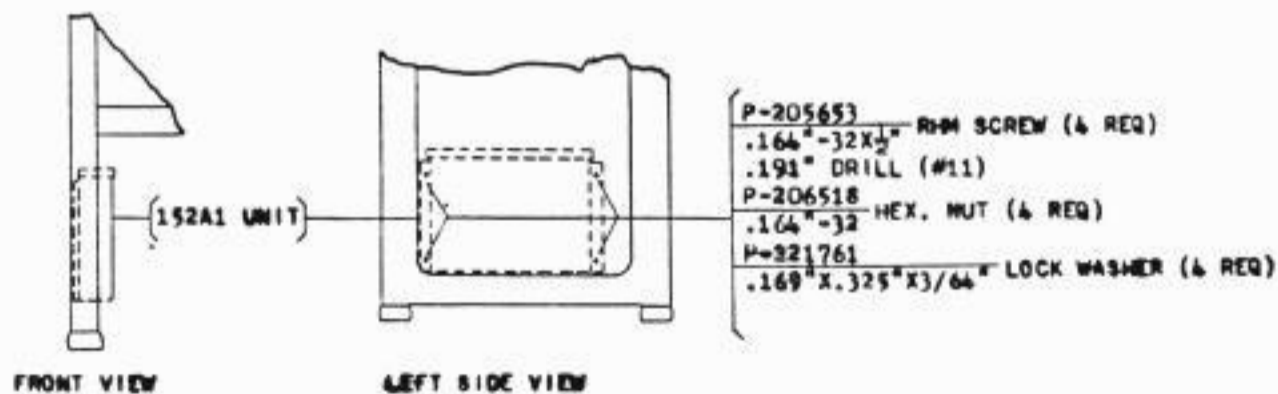


DISCARD WOOD SCREWS FURNISHED WITH SET

SA7.10 150A1, 150B1 or 150C1 Wave Shaping Set



SA7.11 150D1, 150E1 or 150F1 Wave Shaping Set



SA7.12 152A1-60 Cycle Induction Suppression Unit