

BELL SYSTEM PRACTICES
Teletypewriter and Data Stations

SECTION P30.658
Issue 2, August, 1960
AT&TCo Standard

STATION ASSEMBLY

XRT200 AND XRT201

TELETYPEWRITER TABLES

1. GENERAL

1.01 This section gives the station assembly plans for XRT200 and XRT201 teletypewriter tables. The wiring diagram for the electrical service units used with these tables is given in Section P31.106.

1.02 This section is reissued to add dimensions, to bring up to date the piece part numbers of the mounting screws and the designation of 2-conductor cordage, to show that the TP119637 button is not to be removed, to indicate the location of screw heads, and to add Plan SA7.13. Detail changes are as follows:

For Plan SA7.02

(1) "1/8" TO 1/4" CLEARANCE" has been added.

For Plan SA7.04

(2) ".266" DRILL (#14)" has been changed to "17/64" DRILL."

2" dimension has been added.

For Plan SA7.05

(4) "NOTE: OLD-STYLE MODEL IS SHOWN. LATER MODEL IS EQUIPPED WITH SINGLE TERMINAL STRIP HAVING 10 TERMINALS" has been added.

For Plan SA7.06

- (5) $\frac{\text{" P-125949}}{.138-32\&1/2\text{"}}$ RHM SCREW (2 REQ)" has been changed to $\frac{\text{" P-125043}}{.138\text{"}-32\times3/8\text{"}}$ SCREW (2 REQ)."
- (6) "SCREW HEADS ON INSIDE OF PANEL" has been added.
- (7) "FINISH SCREW HEADS TO MATCH HOLDER" has been changed to "FINISH SCREW HEADS AND HEX NUTS TO MATCH HOLDER."
- (8) Title "SA7.06 Instruction Book Holder 38Y3736" has been changed to "SA7.06 TWX Directory Holder 38Y3816."

For Plan SA7.07A

- (9) "18-2 TIREX 2 COND. LAMP CORD" has been changed to "KS-15143 18GA. 2 COND. CORDAGE."
- (10) "18-2 TIREX" has been changed to "KS-15143 18GA. 2 COND. CORDAGE."
- (11) "64C1 CALLING CIRCUIT EQUIPMENT" has been changed to "64C CALLING CIRCUIT EQUIPMENT."

For Plan SA7.07B

- (12) "SCREW HEAD ON INSIDE OF PANEL" has been added.

For Plan SA7.07C

- (13) "REMOVE TP119637** BUTTON AND STORE" has been changed to "TP119637 BUTTON WITH 7/8" HOLE WITH 15000B SNAP-IN BUSHING, STEEL CITY ELECTRIC CO., OR EQUIV."
- (14) $\frac{\text{"P-405652}}{\#8\times5/8\text{"}}$ RH TYPE "Z" SELF TAPPING SCREW (6 REQ)" has been changed to $\frac{\text{"P-422006}}{\#8\times5/8\text{"}}$ RH TYPE "B" SELF TAPPING SCREW (6 REQ)."
- (15) "SCREW HEAD ON INSIDE OF PANEL" has been added.
- (16) "64C1 CALLING CIRCUIT EQUIPMENT" has been changed to "64C CALLING CIRCUIT EQUIPMENT."

For Plan SA7.08D

- (17) "REMOVE TP119637** BUTTON AND STORE" has been changed to "TP119637 BUTTON WITH 7/8" HOLE WITH 15000B SNAP-IN BUSHING, STEEL CITY ELECTRIC CO., OR EQUIV."
(18) "SCREW HEAD ON INSIDE OF PANEL" has been added.

For Plan SA7.10

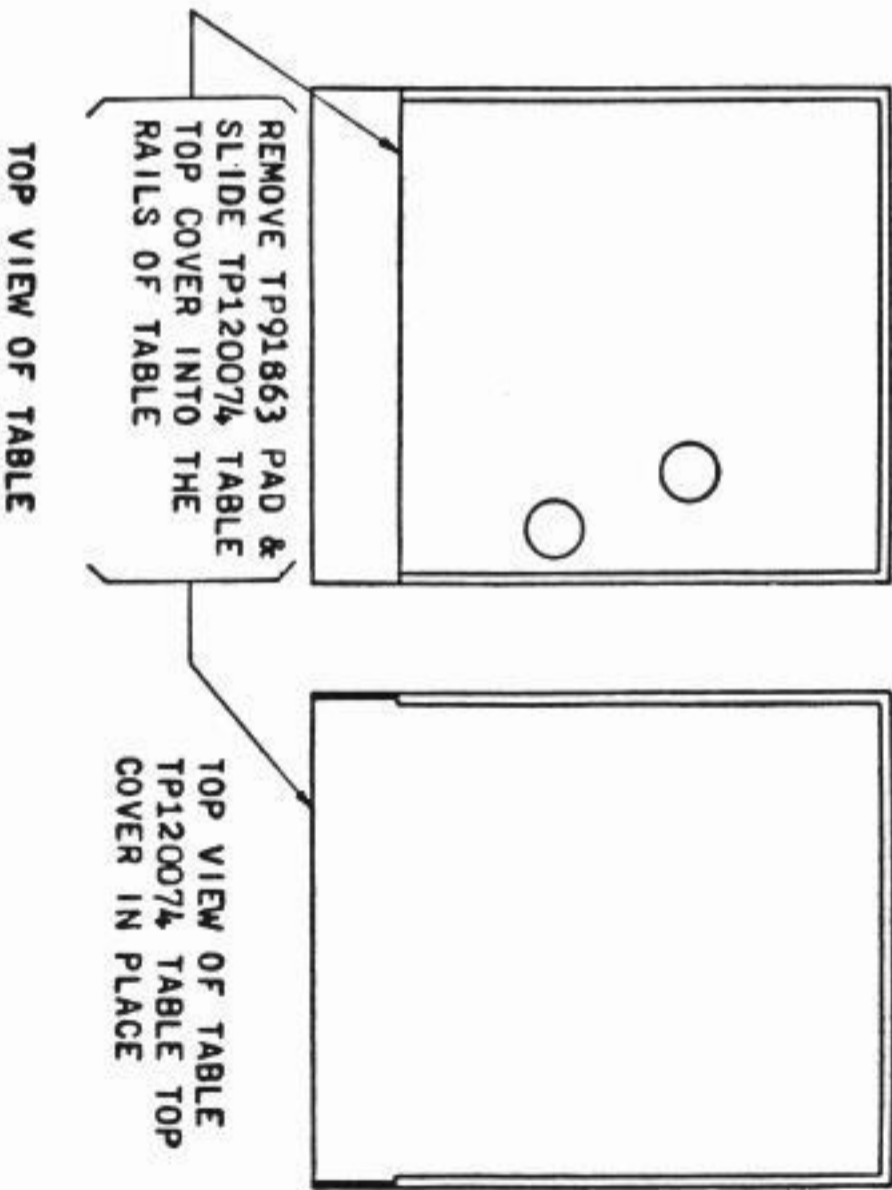
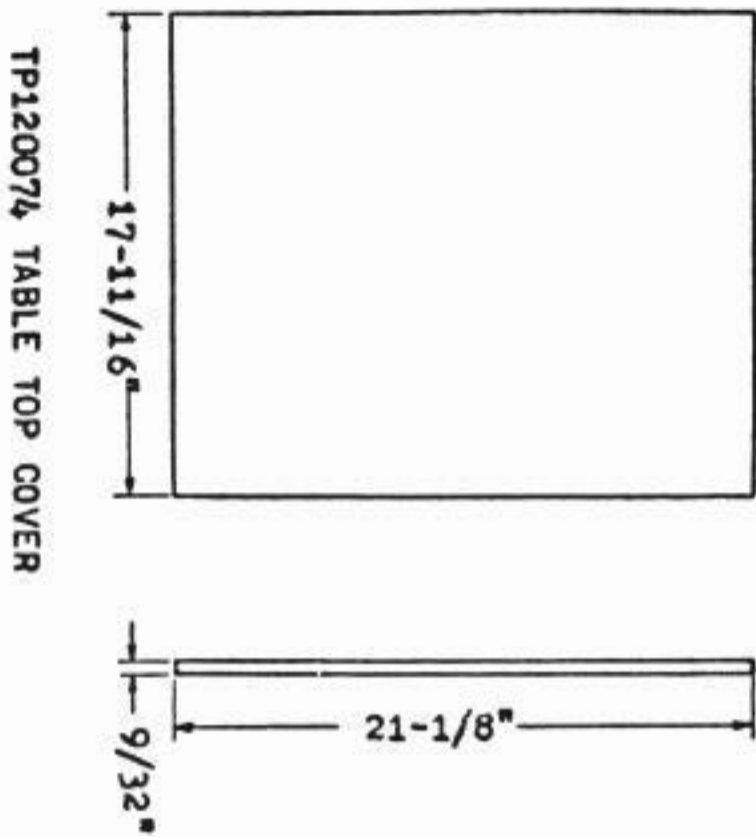
- (19) "P-405647
#8x1" TYPE "Z" SELF TAPPING SCREW
(3 REQ)" has been changed to "P-422008
#8x1" TYPE
"B" SELF TAPPING SCREW (3 REQ)."
(20) "RIGHT SIDE VIEW" has been changed to
"LEFT SIDE VIEW."
(21) "SCREW HEAD INSIDE OF PANEL" has been
added.

For Plan SA7.11

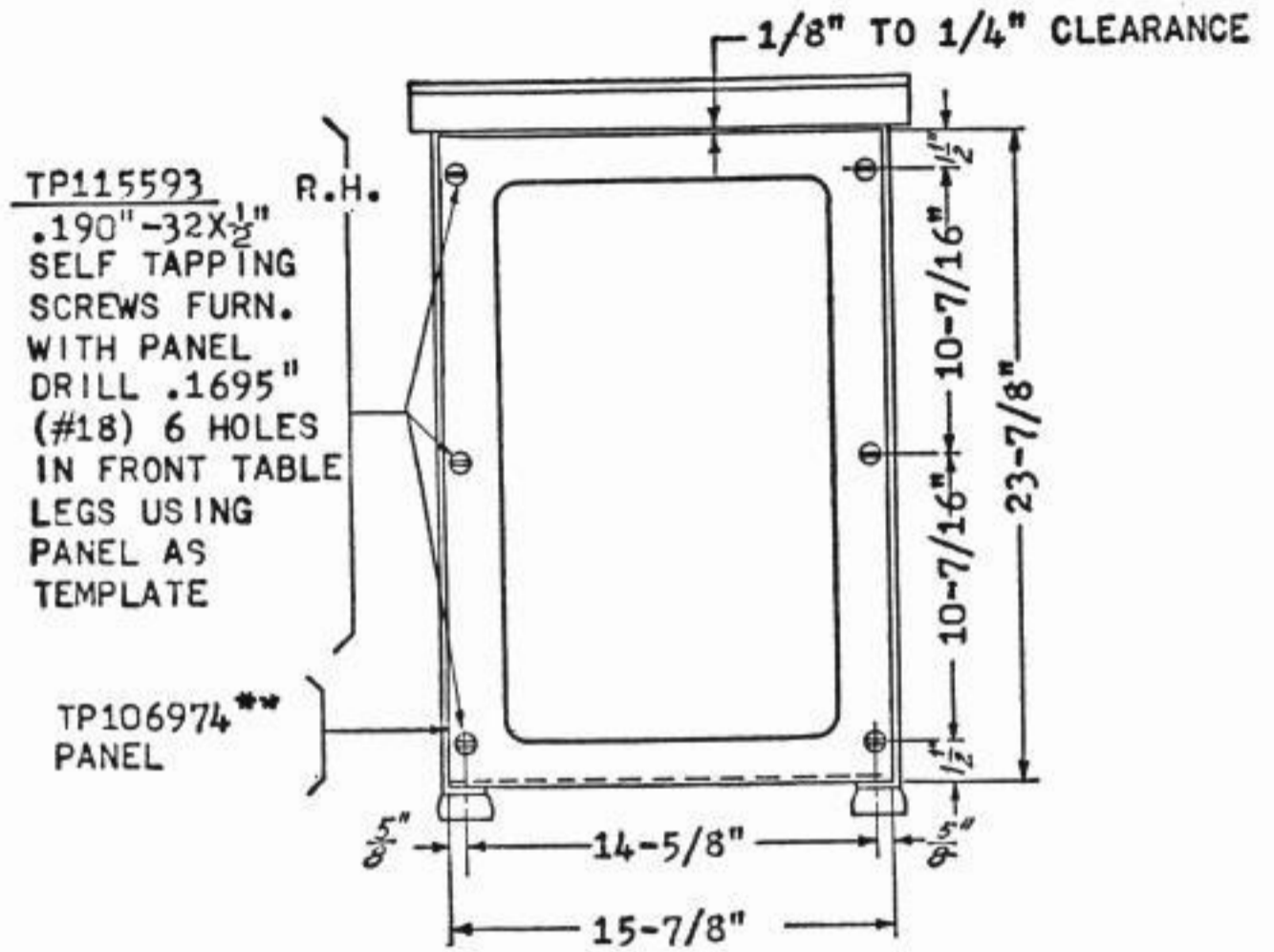
- (22) "RIGHT SIDE VIEW" has been changed to
"LEFT SIDE VIEW."
(23) "SCREW HEAD INSIDE OF PANEL" has been
added.

1.03 The following plans are included:

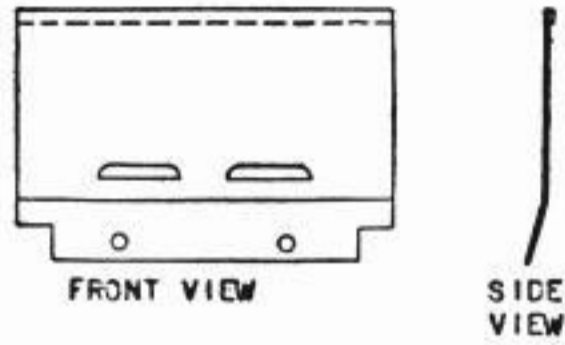
<u>Plan No.</u>	<u>Title</u>
SA7.01	Mounting of TP120074 Table Top Cover for XRT200 Table Only
SA7.02	Mounting of TP106974** Panel
SA7.03	Mounting of TP106977** Baffle Plate
SA7.04	Mounting of TP115730 Paper Supply Box Assembly
SA7.05	Mounting of TP117852 Electrical Service Assembly
SA7.06	TWX Directory Holder 38Y3816
SA7.07	64C Calling Station Arrangement
SA7.08	64C Receiving Station Arrangement
SA7.09	Mounting of 122A Filter
SA7.10	150A1, 150B1, or 150C1 Wave Shaping Set
SA7.11	150D1, 150E1, or 150F1 Wave Shaping Set
SA7.12	152A1—60-cycle Induction Suppression Unit
SA7.13	Station Record Holder TP136065



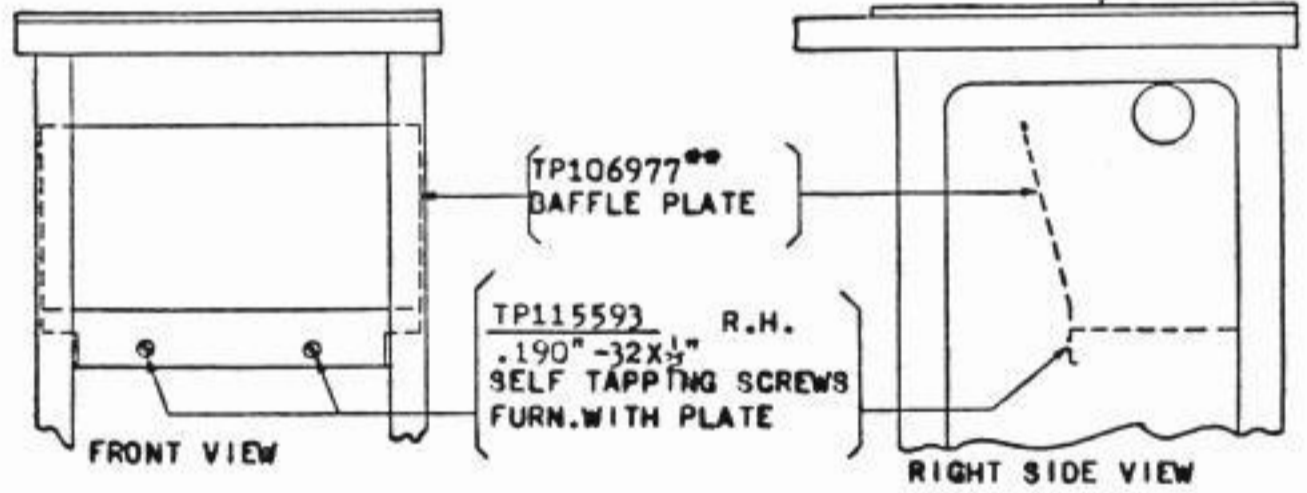
SA7.01 Mounting of TP120074 Table Top Cover for XRT200 Table Only



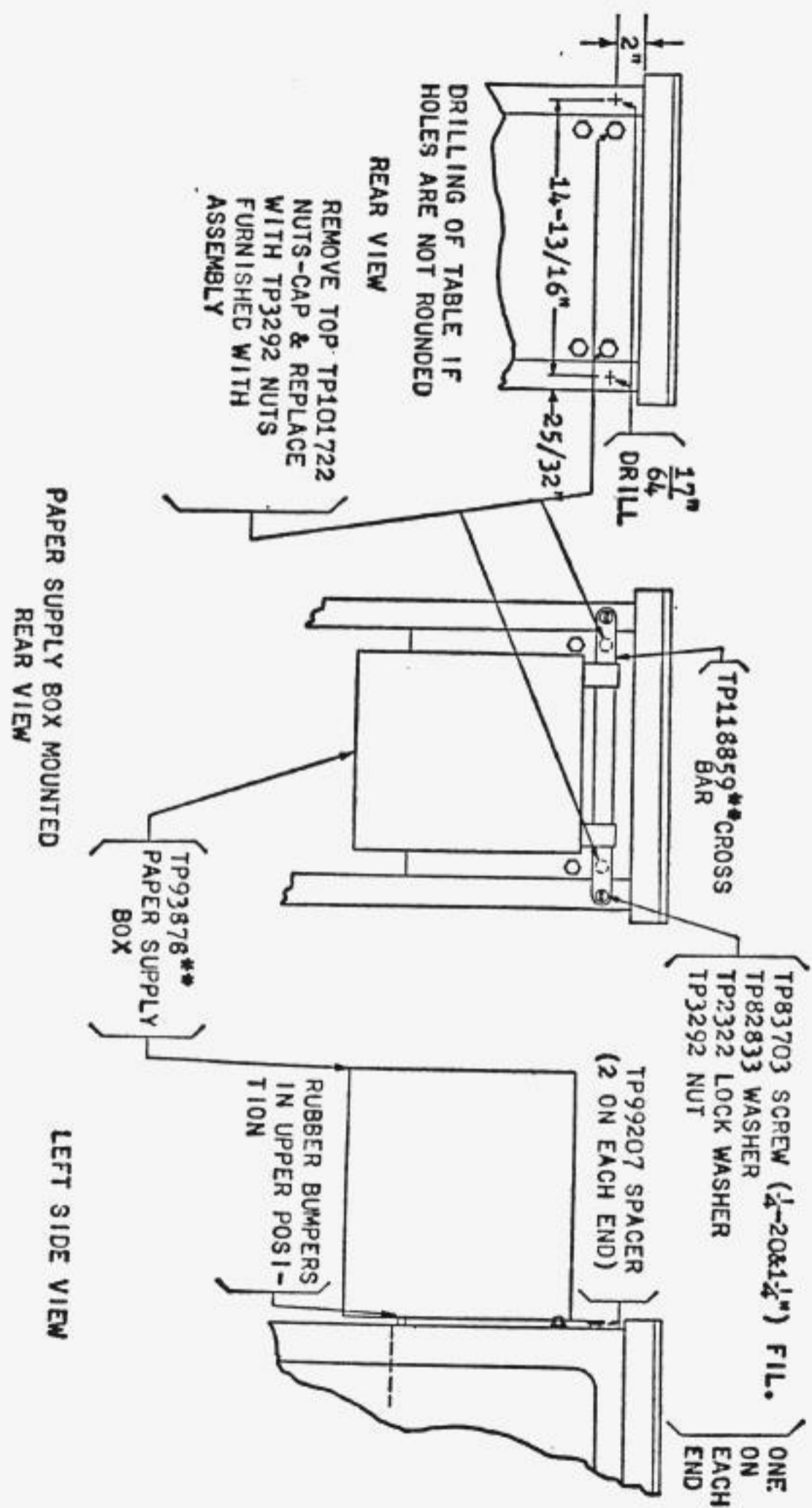
SA7.02 Mounting of TP106974** Panel



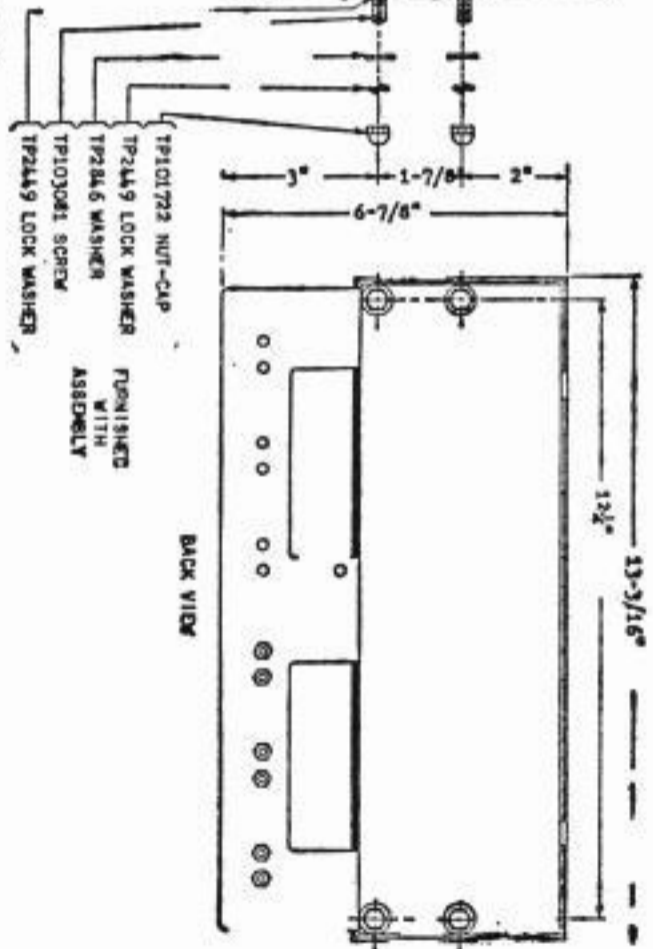
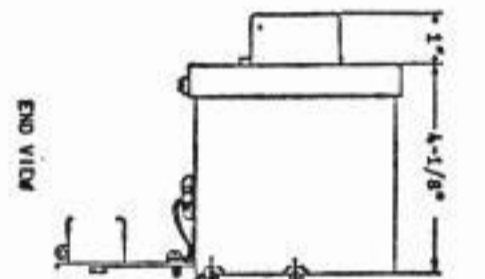
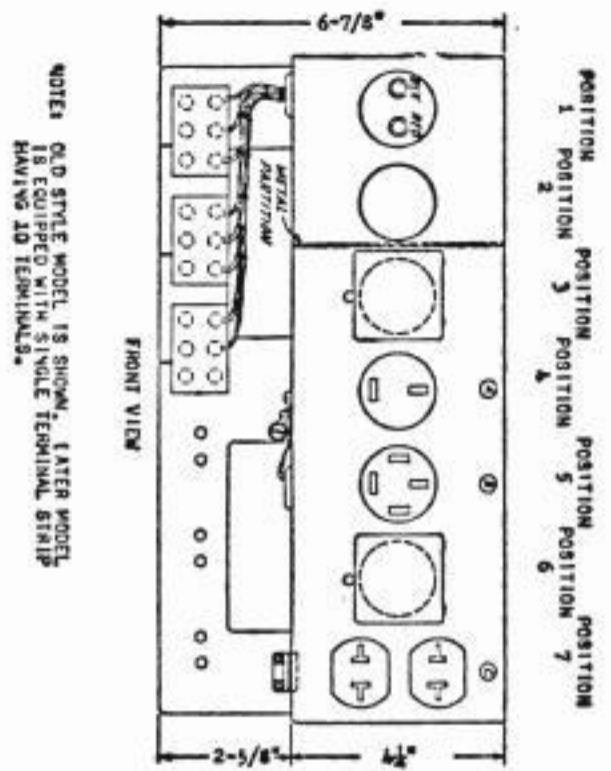
TP106977** BAFFLE PLATE



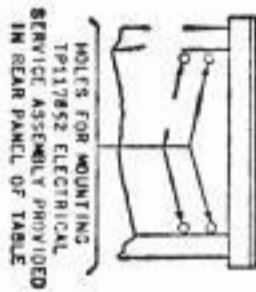
SA7.03 Mounting of TP106977** Baffle Plate



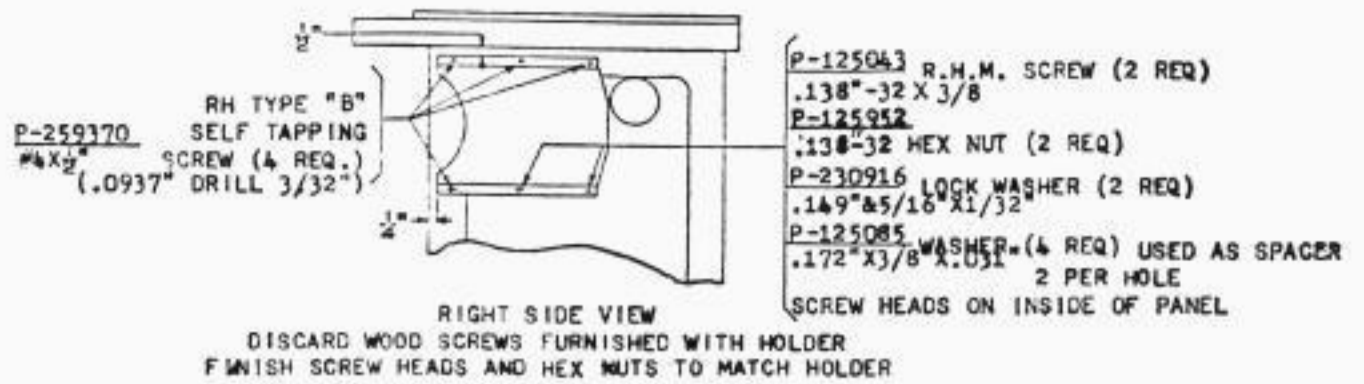
SA7.04 Mounting of TP115730 Paper Supply Box Assembly



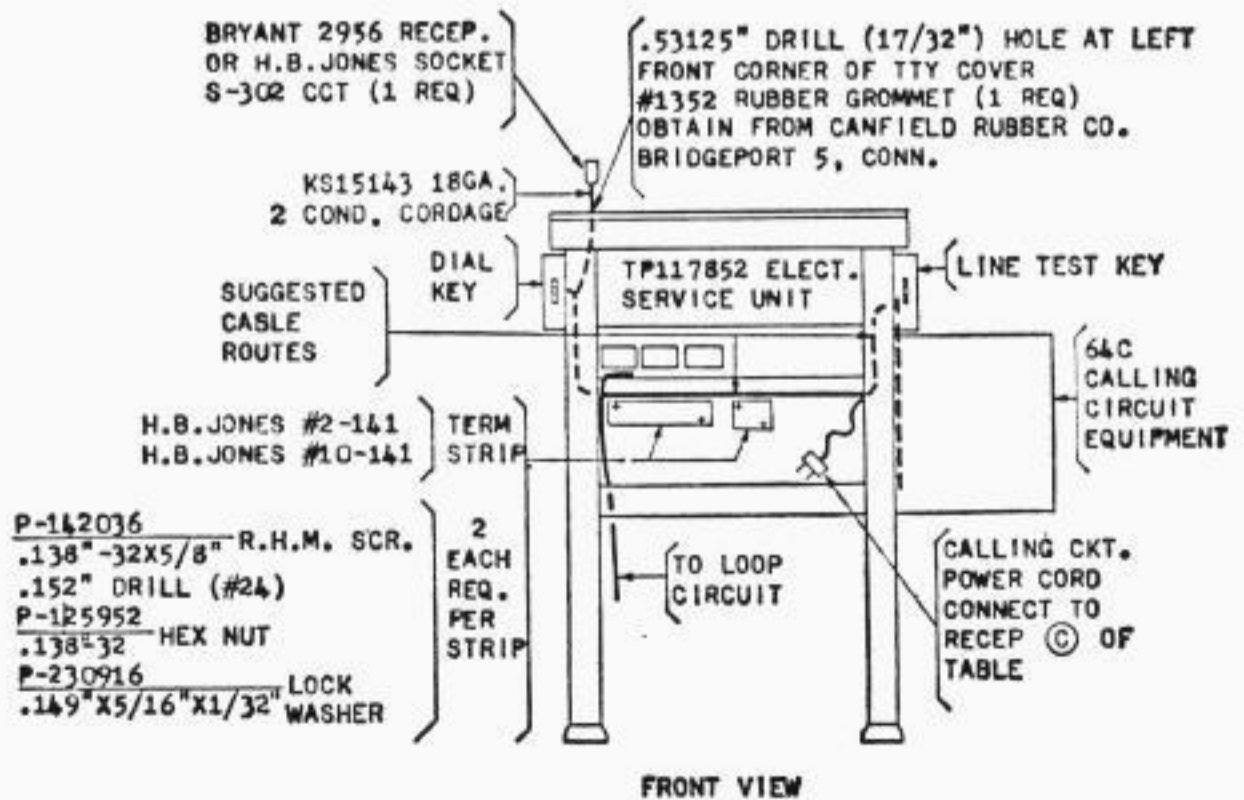
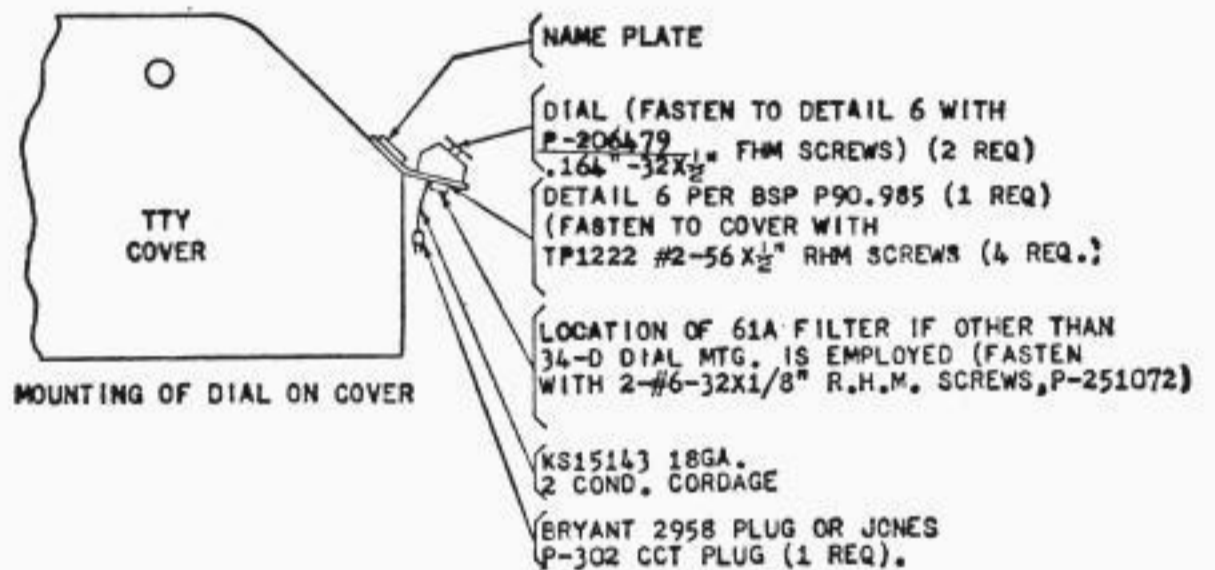
TP117852 ELECTRICAL SERVICE ASSEMBLY



SA7.05 Mounting of TP117852 Electrical Service Assembly



SA7.06 TWX Directory Holder 38Y3816

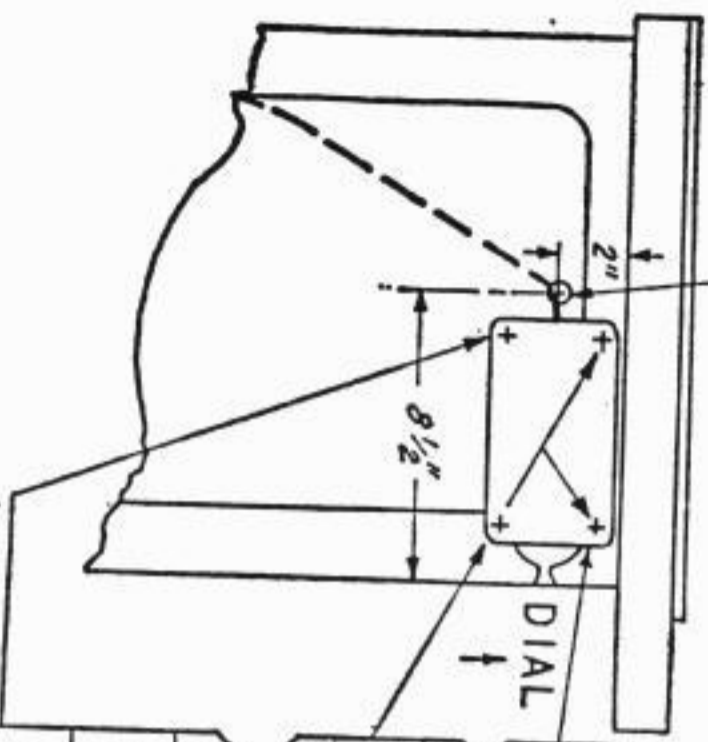


SA7.07A 64C Calling Station Arrangement

P30.658
Page 9

STATION ASSEMBLY
XRT200 AND XRT201
TELETYPEWRITER TABLES

LEFT SIDE VIEW



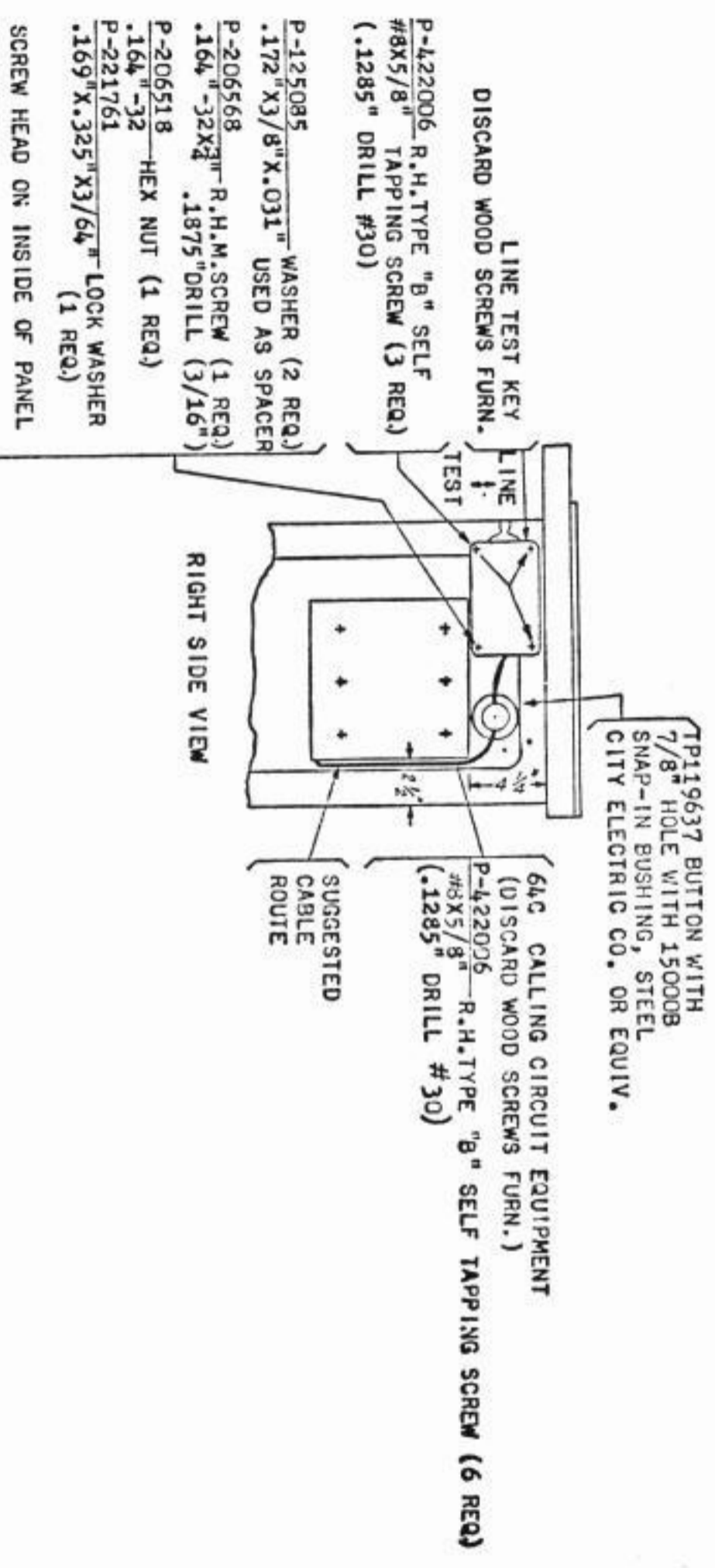
#1352 RUBBER GROMMET (.53125" DRILL 17/32")
OBTAIN FROM CANFIELD RUBBER CO.
BRIDGEPORT 5, CONN.

DIAL KEY
(DISCARD WOOD SCREWS FURN.)

P-422006
#8-5/8" R.H. TYPE "B" SELF TAPPING
SCREW (3 REQ.)
.1285" DRILL (#30)

P-125085
.172" X 3/8" X .031" WASHER (2 REQ.)
P-206568
.164" - 32 X 3/4" R.H.M. SCREW (1 REQ.)
(.1875" DRILL 3/16")
P-206518
.164" - 32 HEX NUT (1 REQ)
P-221761
.169" X .325" X 3/64" LOCK WASHER (1 REQ)
SCREW HEAD ON INSIDE OF PANEL

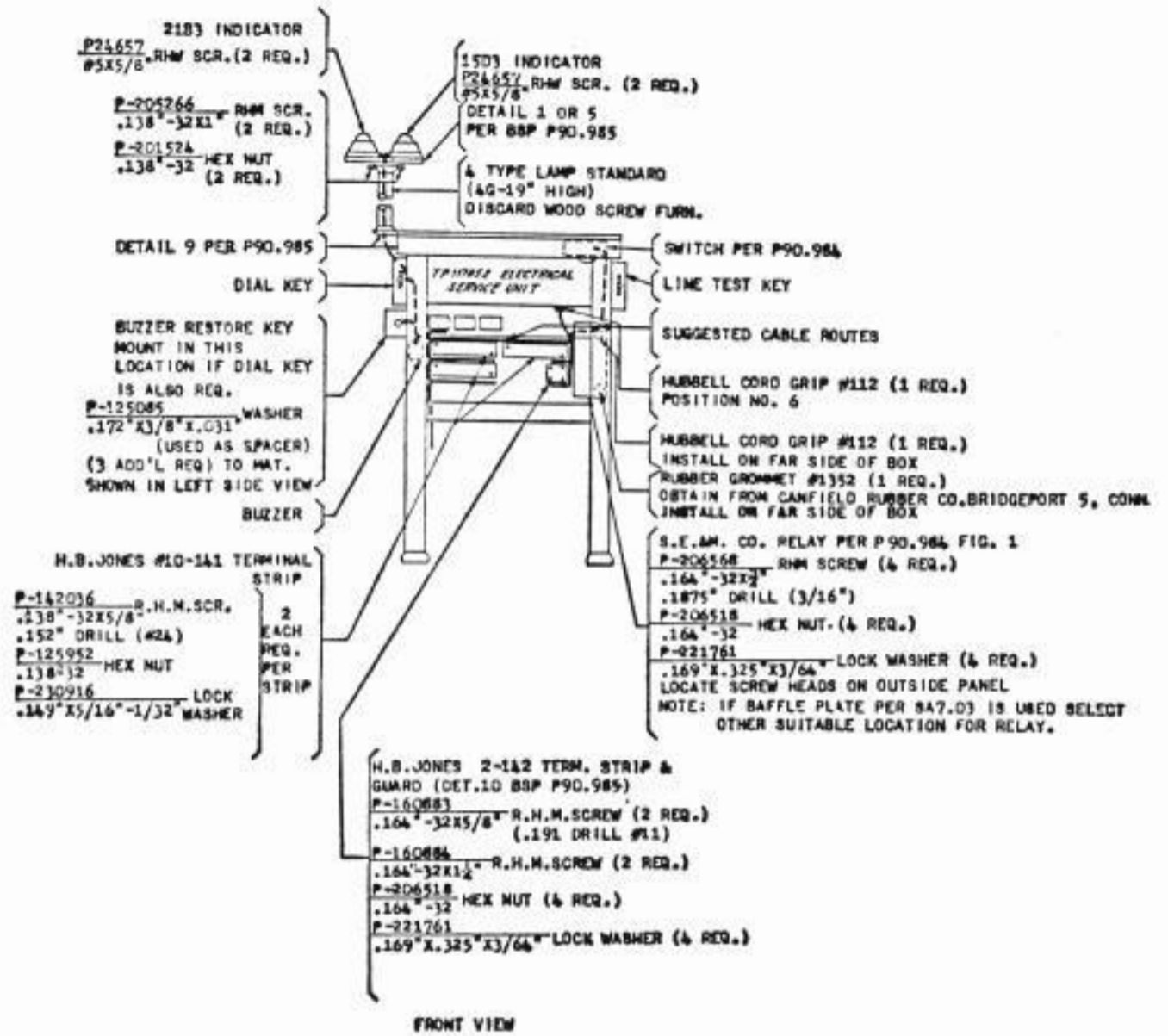
SA7.07B 64C Calling Station Arrangement



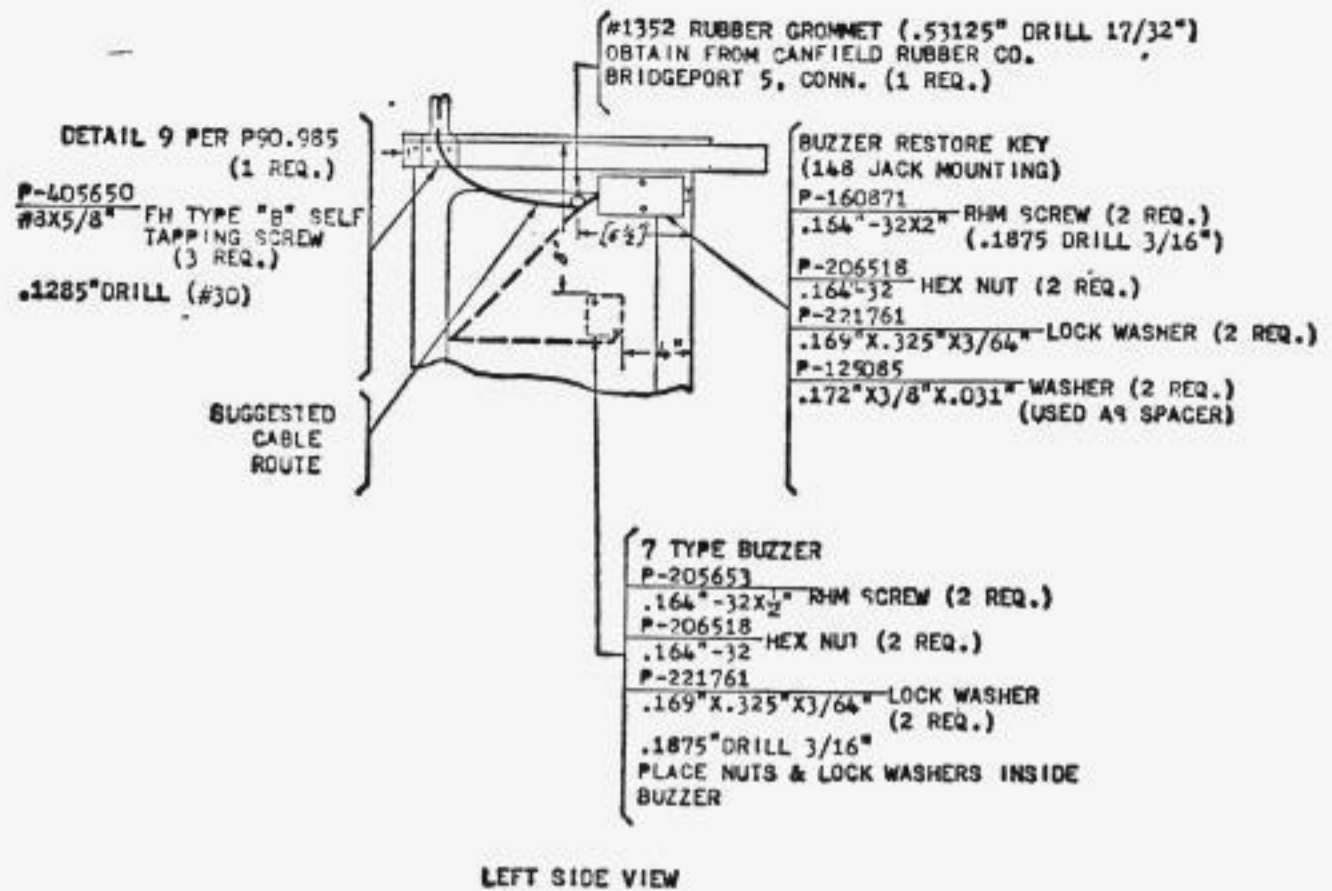
- P-422006 R.H. TYPE "B" SELF TAPPING SCREW (3 REQ.) (.1285" DRILL #30)
- P-125085 WASHER (2 REQ.) .172" X 3/8" X .031" USED AS SPACER
- P-206568 R.H.M. SCREW (1 REQ.) .164" - 32 X 3/4" .1875" DRILL (3/16")
- P-206518 HEX NUT (1 REQ.) .164" - 32
- P-221761 LOCK WASHER .169" X .325" X 3/64" (1 REQ.)

SCREW HEAD ON INSIDE OF PANEL

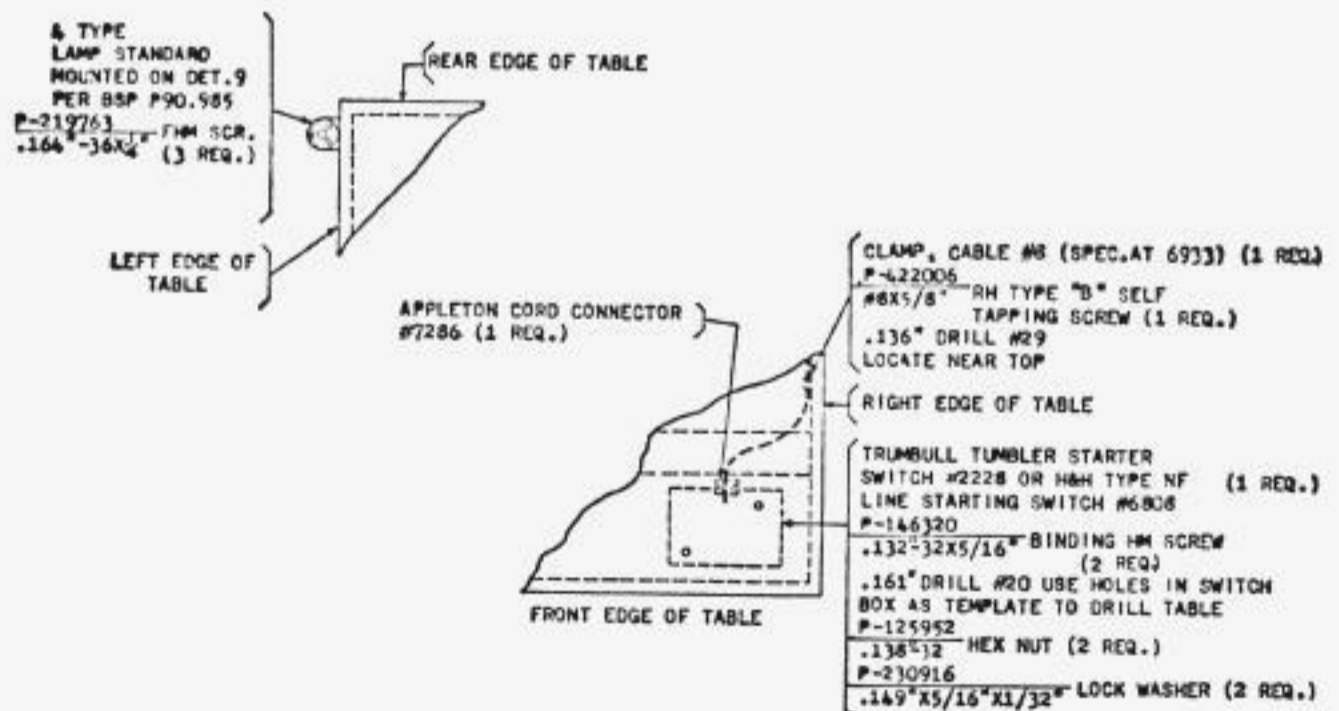
SA7.07C 64C Calling Station Arrangement



SA7.08A 64C Receiving Station Arrangement



SA7.08B 64C Receiving Station Arrangement

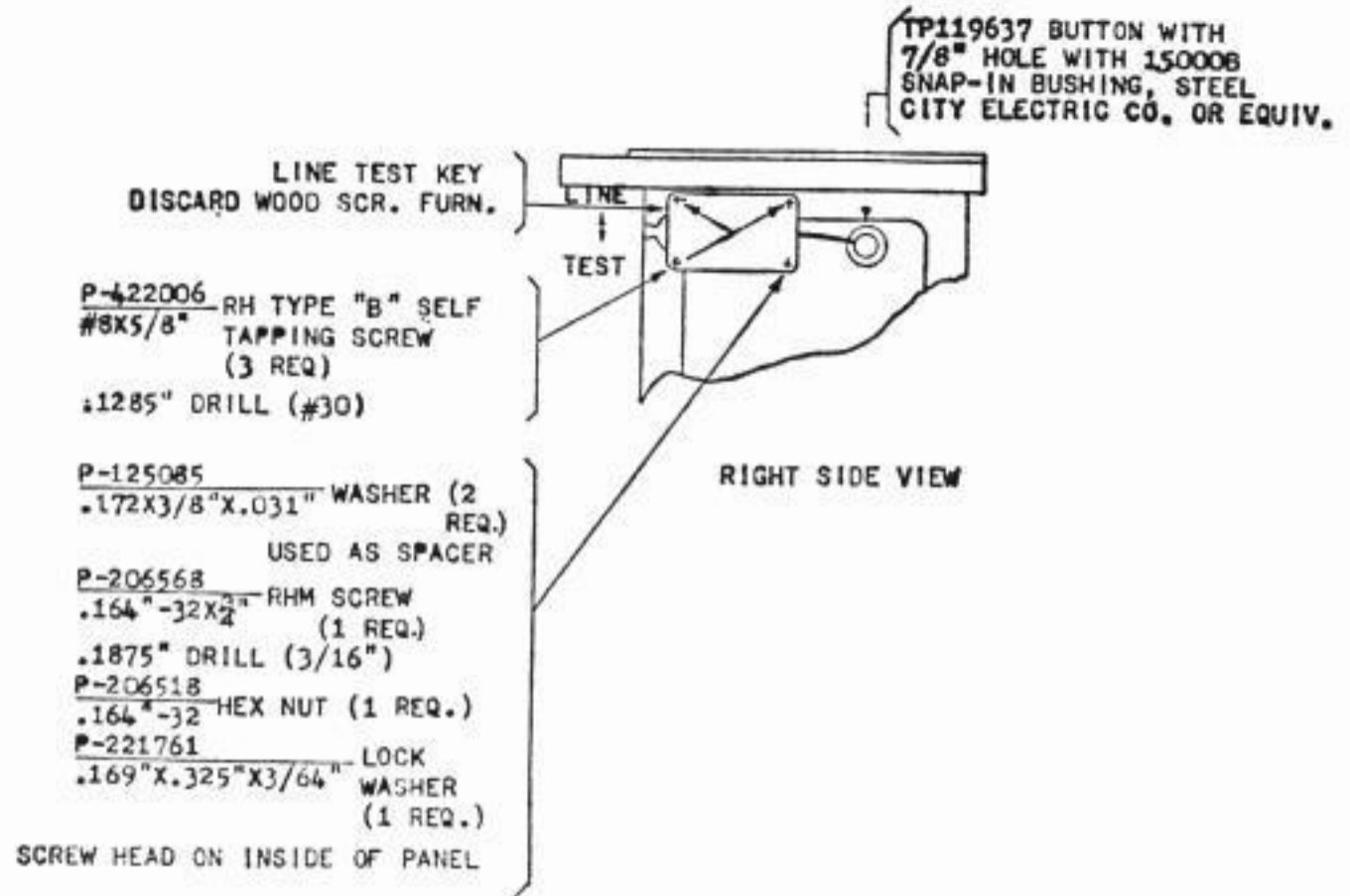


SA7.08C 64C Receiving Station Arrangement

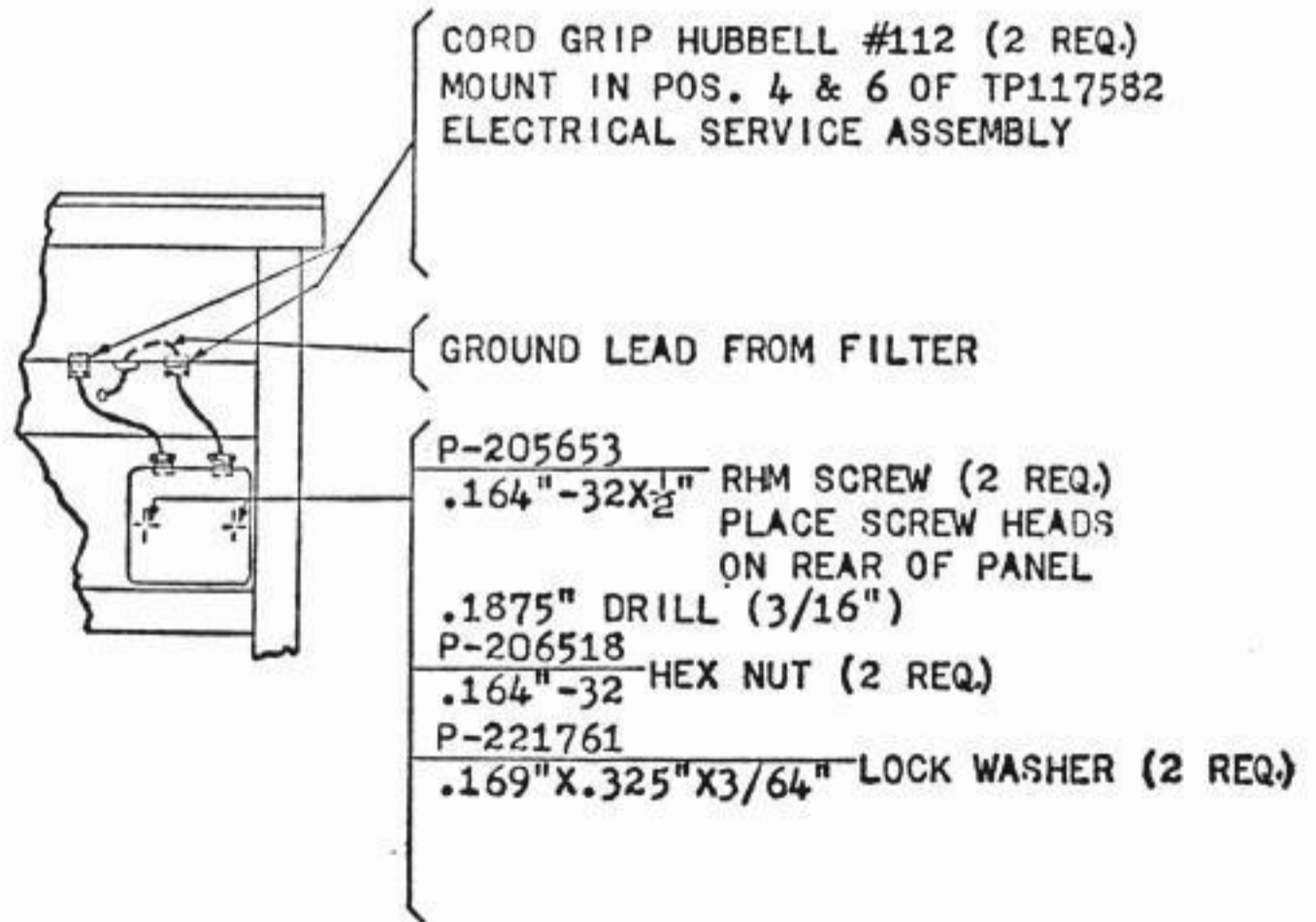
P30.658

Page 13

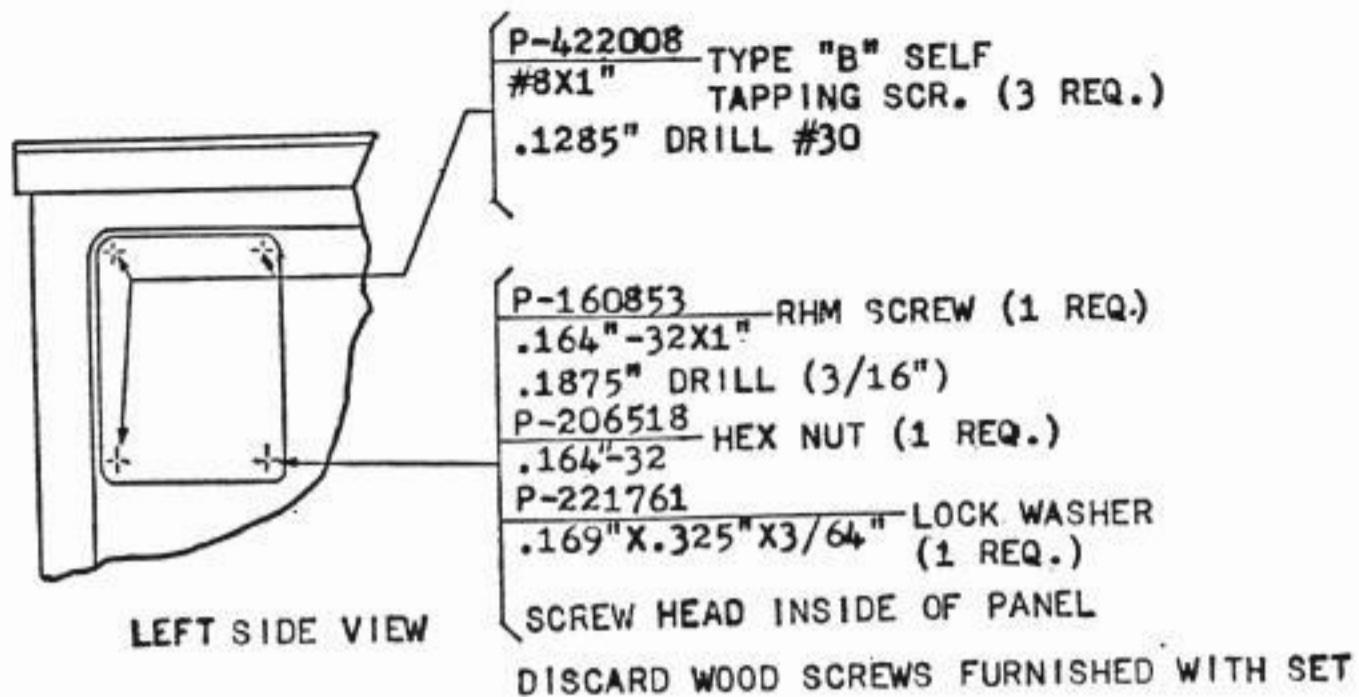
STATION ASSEMBLY
XRT200 AND XRT201
TELETYPEWRITER TABLES



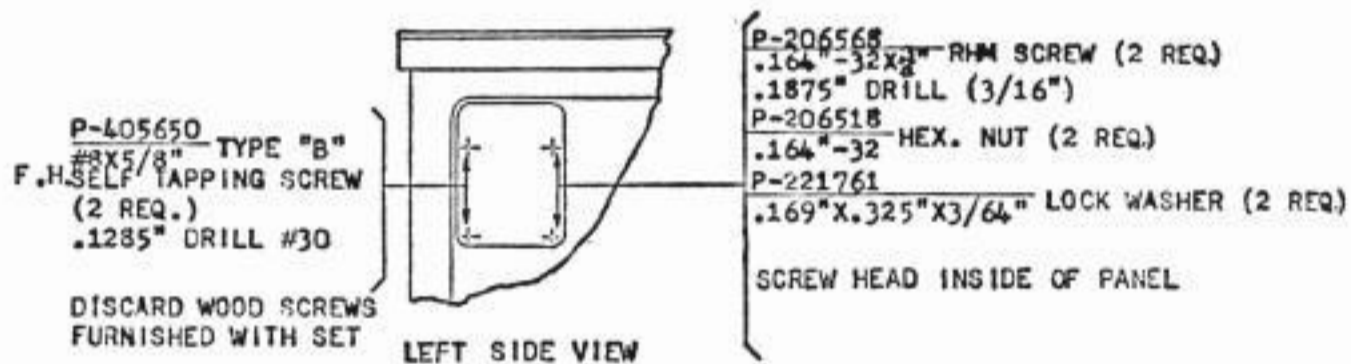
SA7.08D 64C Receiving Station Arrangement



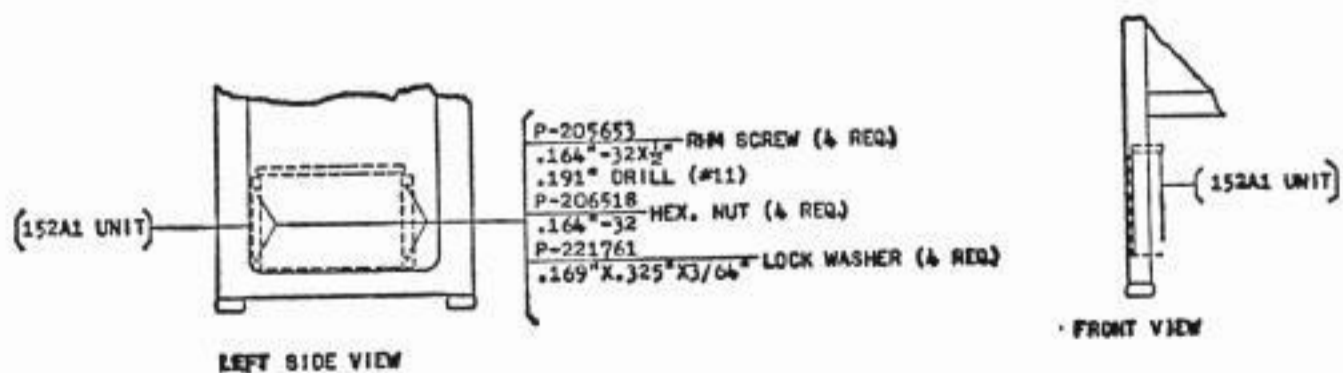
SA7.09 Mounting of 122A Filter



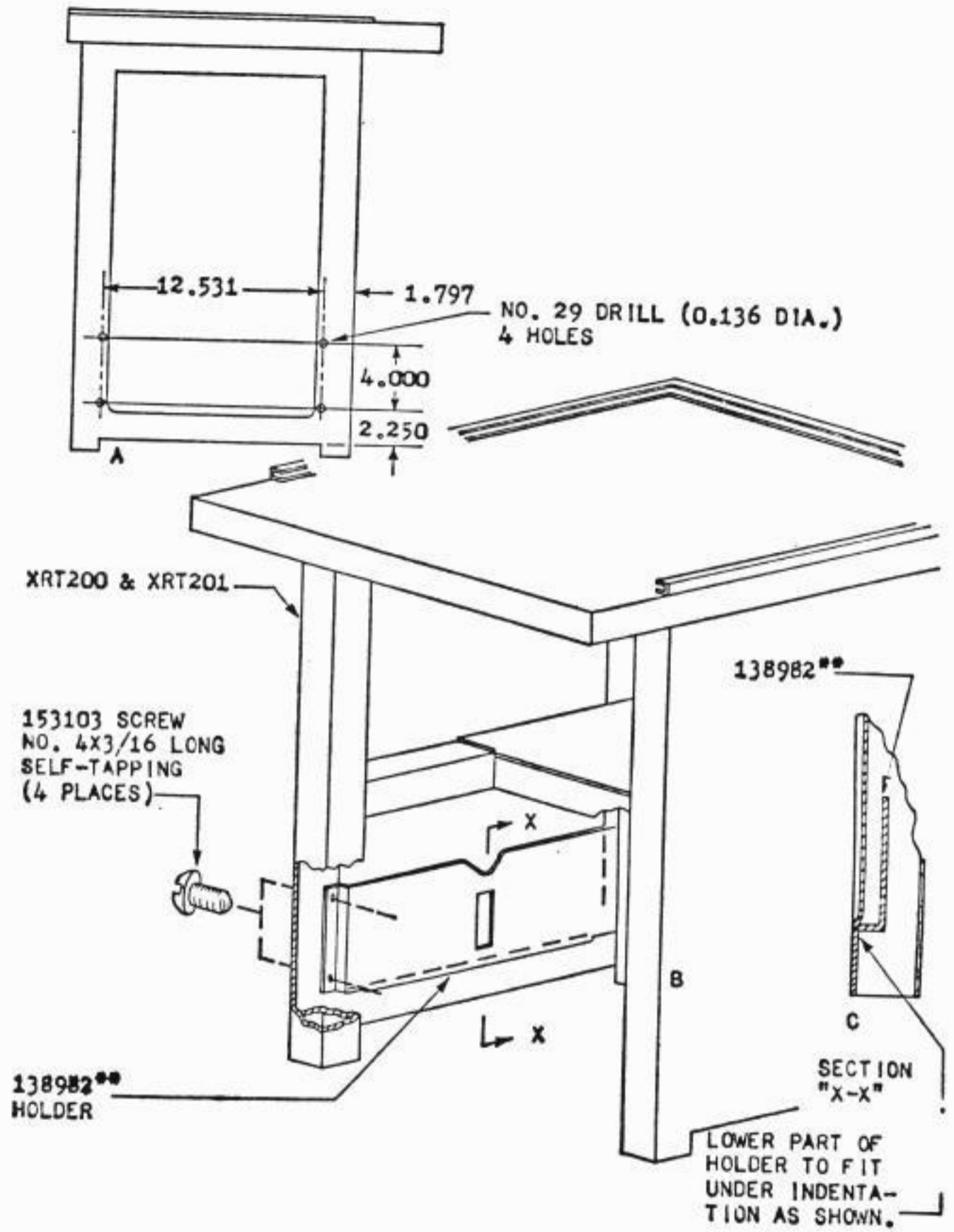
SA7.10 150A1, 150B1, or 150C1 Wave Shaping Set



SA7.11 150D1, 150E1, or 150F1 Wave Shaping Set



SA7.12 152A1—60-cycle Induction Suppression Unit



SA7.13 Station Record Holder TP136065