

STATION ASSEMBLY

XRT200 AND XRT201

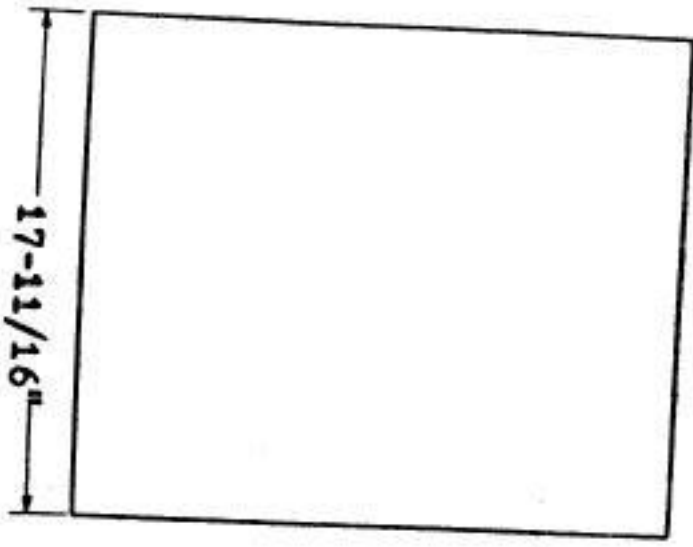
TELETYPEWRITER TABLES

1. GENERAL

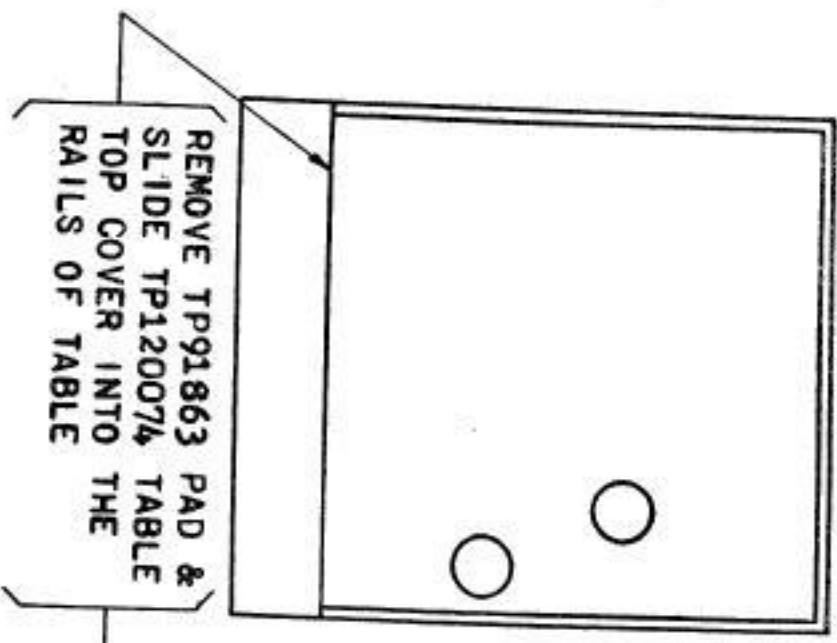
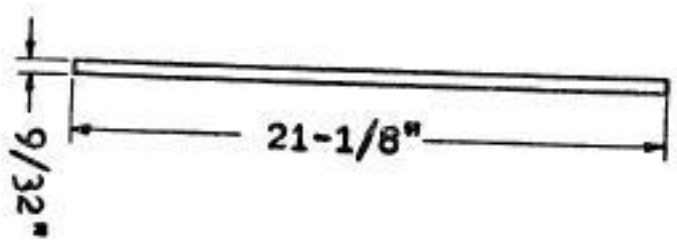
1.01 This section gives the Station Assembly Plans for XRT200 and XRT201 Teletypewriter Tables.

1.02 The following plans are included:

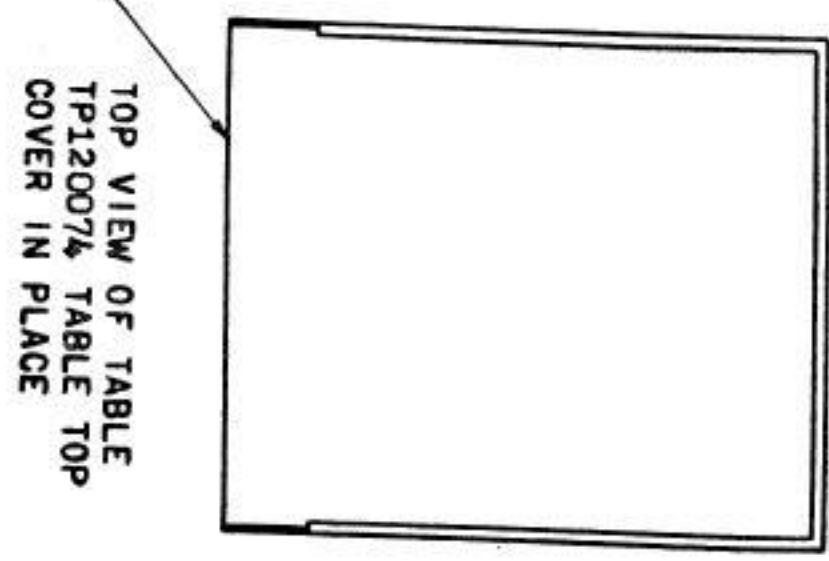
<u>Plan No.</u>	<u>Title</u>
SA7.01	Mounting of TP120074 Table Top Cover for XRT200 Table only
SA7.02	Mounting of TP106974** Panel
SA7.03	Mounting of TP106977** Baffle Plate
SA7.04	Mounting of TP115730 Paper Supply Box Assembly
SA7.05	Mounting of TP117852 Electrical Service Assembly
SA7.06	Instruction Book Holder 38Y3736
SA7.07	64C1 Calling Station Arrangement
SA7.08	64C1 Receiving Station Arrangement
SA7.09	Mounting of 122A Filter
SA7.10	150A1, 150B1 or 150C1 Wave Shaping Set
SA7.11	150D1, 150E1 or 150F1 Wave Shaping Set
SA7.12	152A1—60 Cycle Induction Suppression Unit



TP120074 TABLE TOP COVER



TOP VIEW OF TABLE

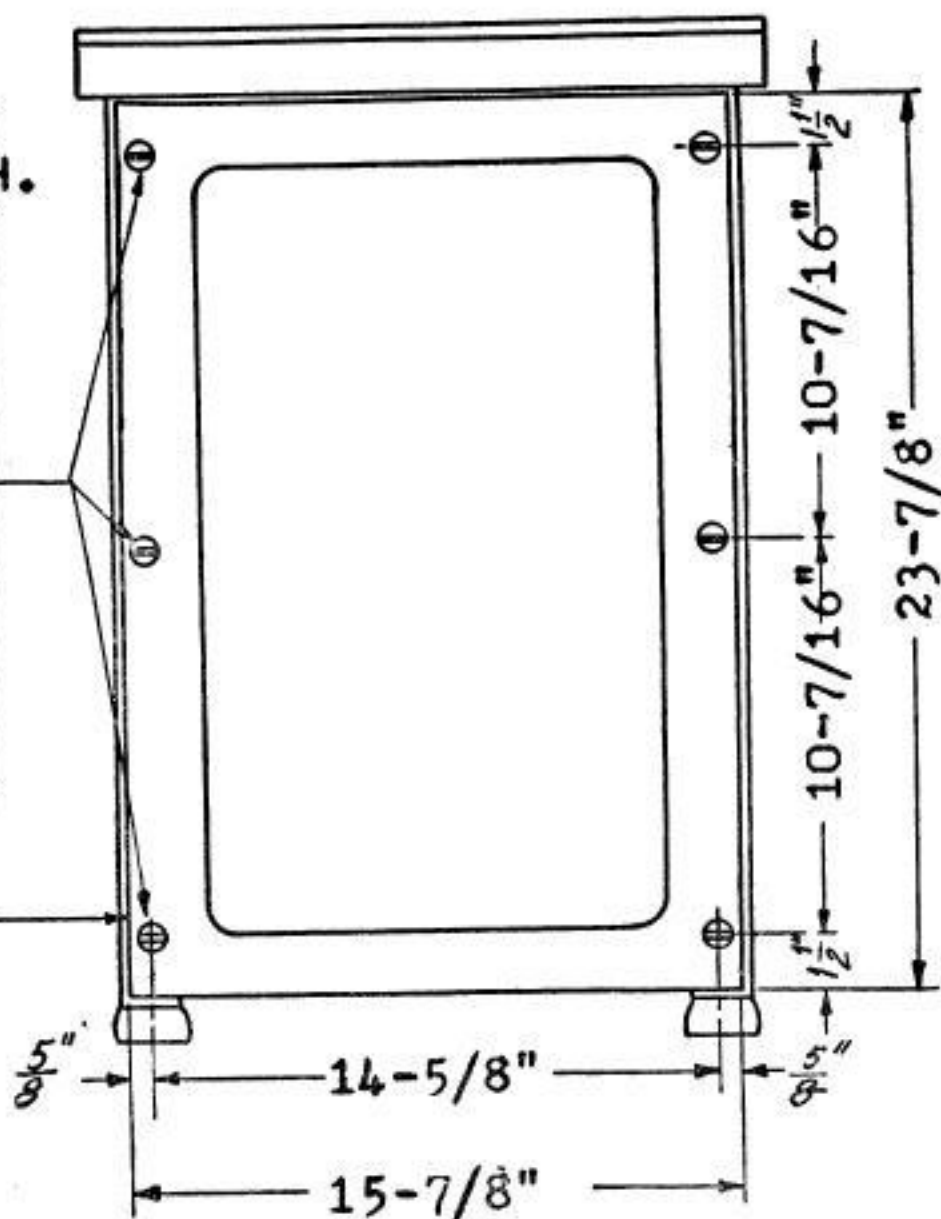


SA7.01 Mounting of TP120074 Table Top Cover for XRT 200 Table Only

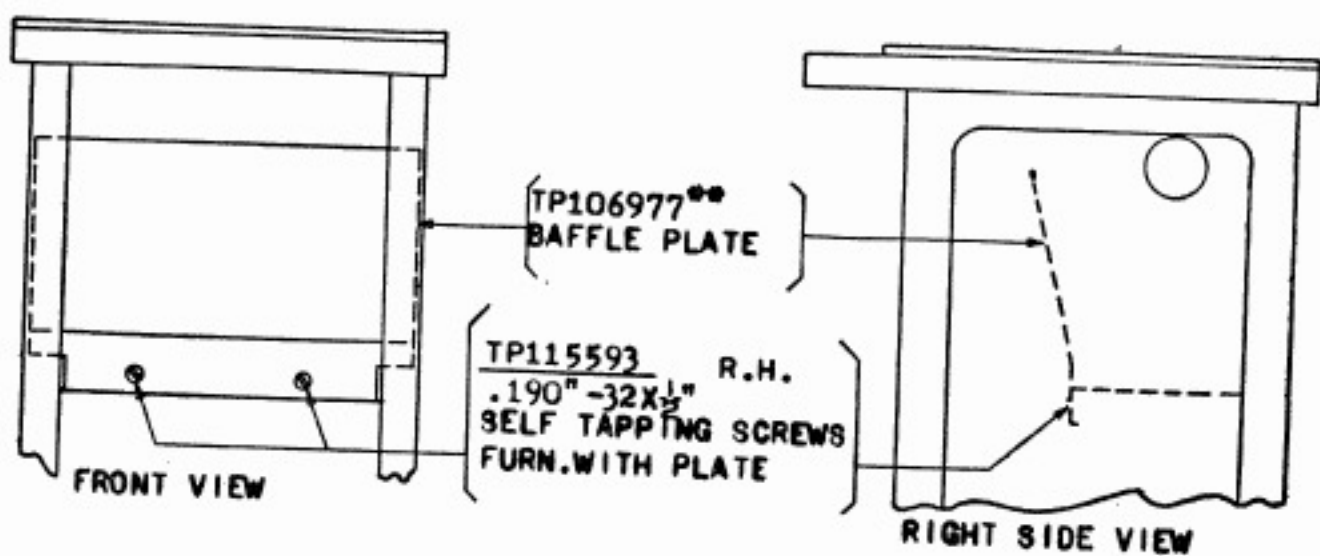
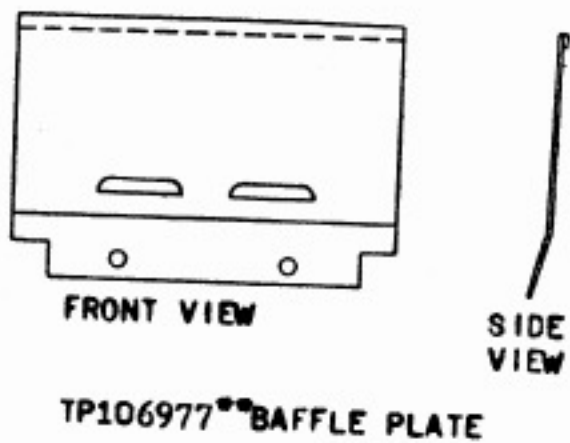
TP115593

R.H.
.190"-32X $\frac{1}{2}$ "
SELF TAPPING
SCREWS FURN.
WITH PANEL
DRILL .1695"
(#18) 6 HOLES
IN FRONT TABLE
LEGS USING
PANEL AS
TEMPLATE

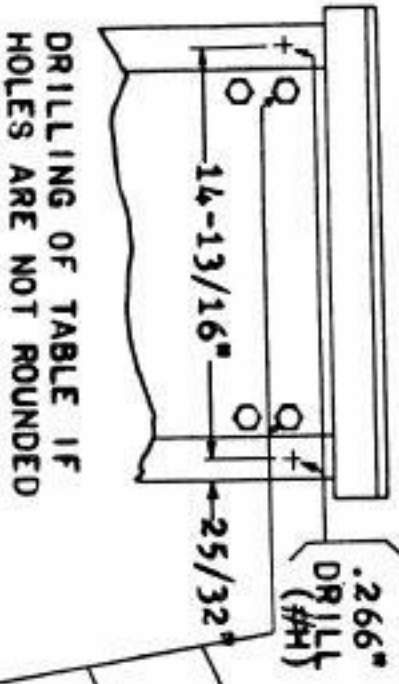
TP106974**
PANEL



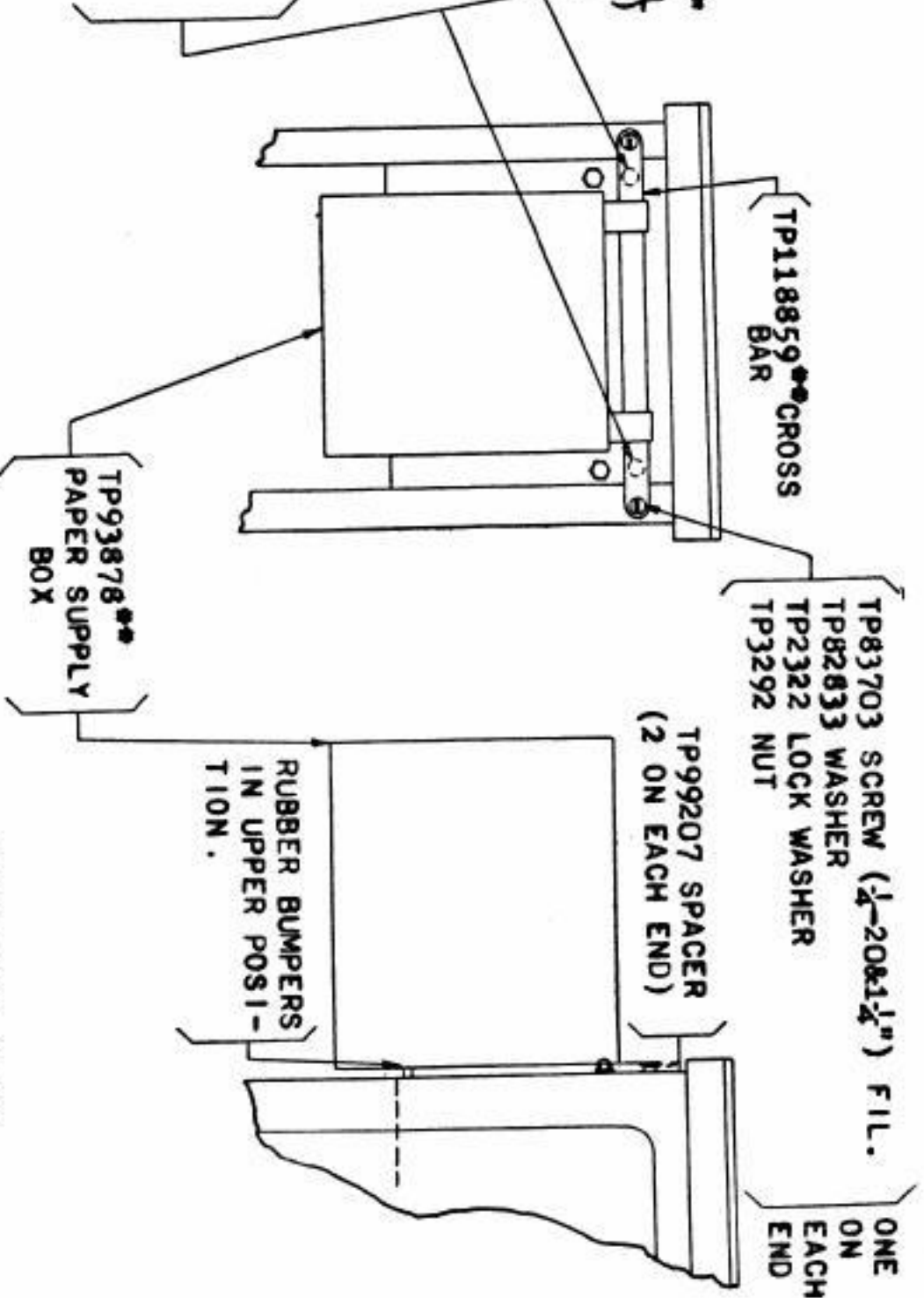
SA7.02 Mounting of TP106974** Panel



SA7.03 Mounting of TP106977** Baffle Plate



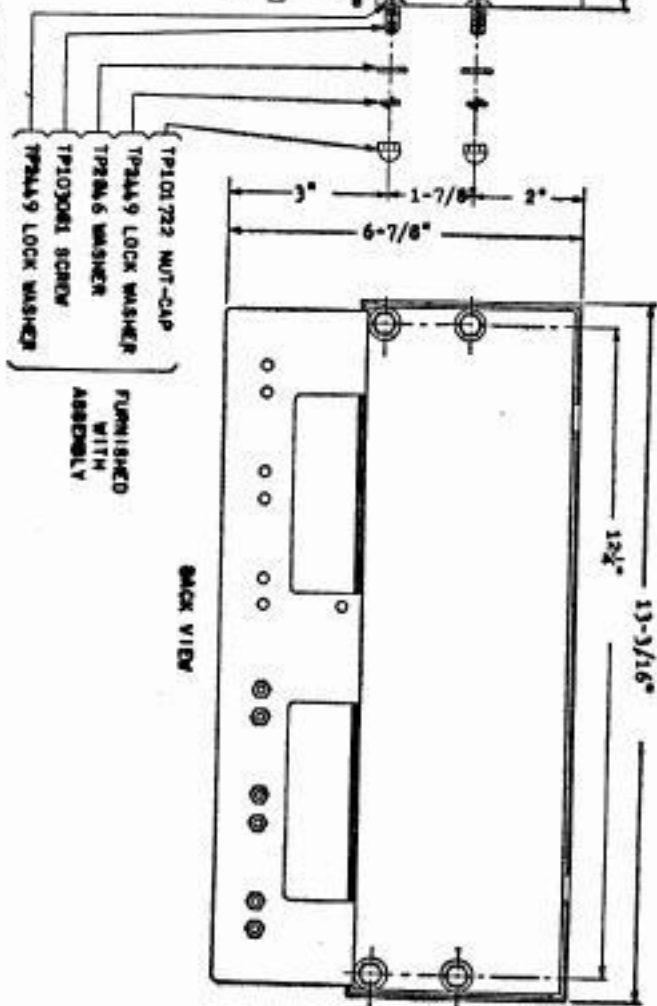
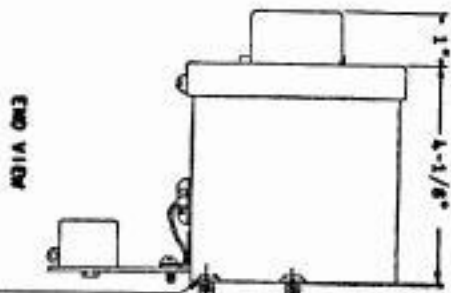
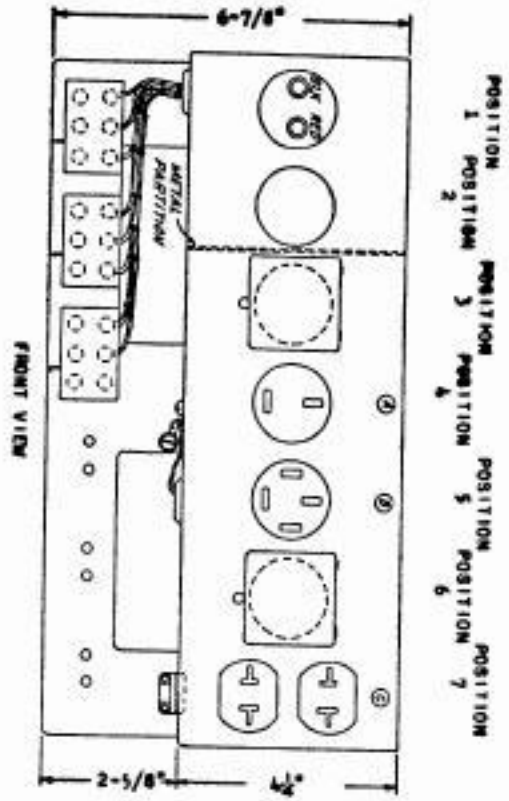
REAR VIEW
 REMOVE TOP TP101722
 NUTS-CAP & REPLACE
 WITH TP3292 NUTS
 FURNISHED WITH
 ASSEMBLY



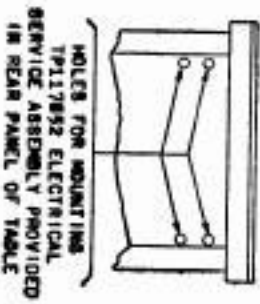
PAPER SUPPLY BOX MOUNTED
 REAR VIEW

LEFT SIDE VIEW

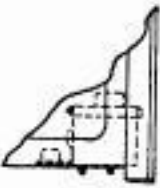
SA7.04 Mounting of TP115730 Paper Supply Box Assembly



TP117852 ELECTRICAL SERVICE ASSEMBLY

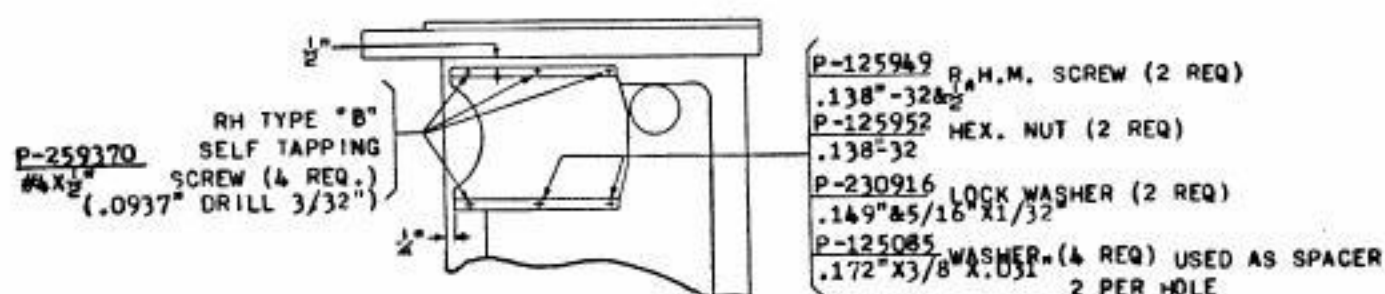


FRONT VIEW



RIGHT SIDE VIEW

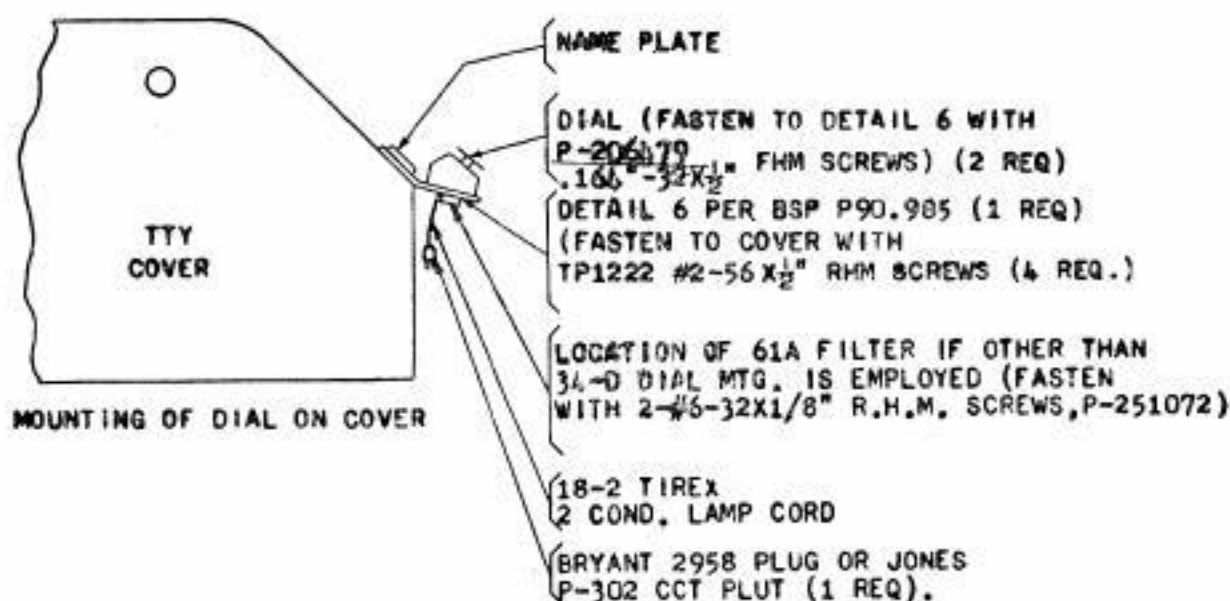
SA7.05 Mounting of TP117852 Electrical Service Assembly



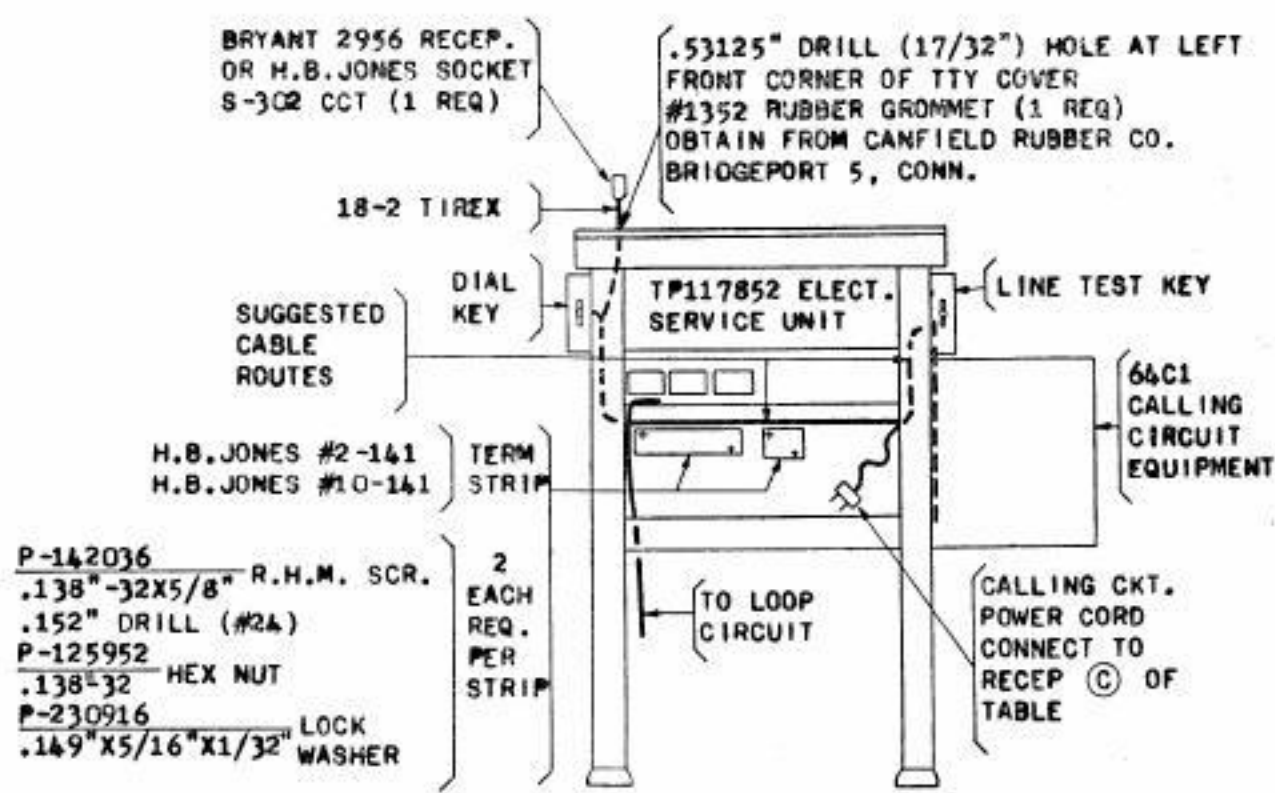
RIGHT SIDE VIEW
 DISCARD WOOD SCREWS FURNISHED WITH HOLDER
 FINISH SCREW HEADS TO MATCH HOLDER

SA7.06 Instruction Book Holder 38Y3736

Note: If space indicated is in use, select other suitable location.



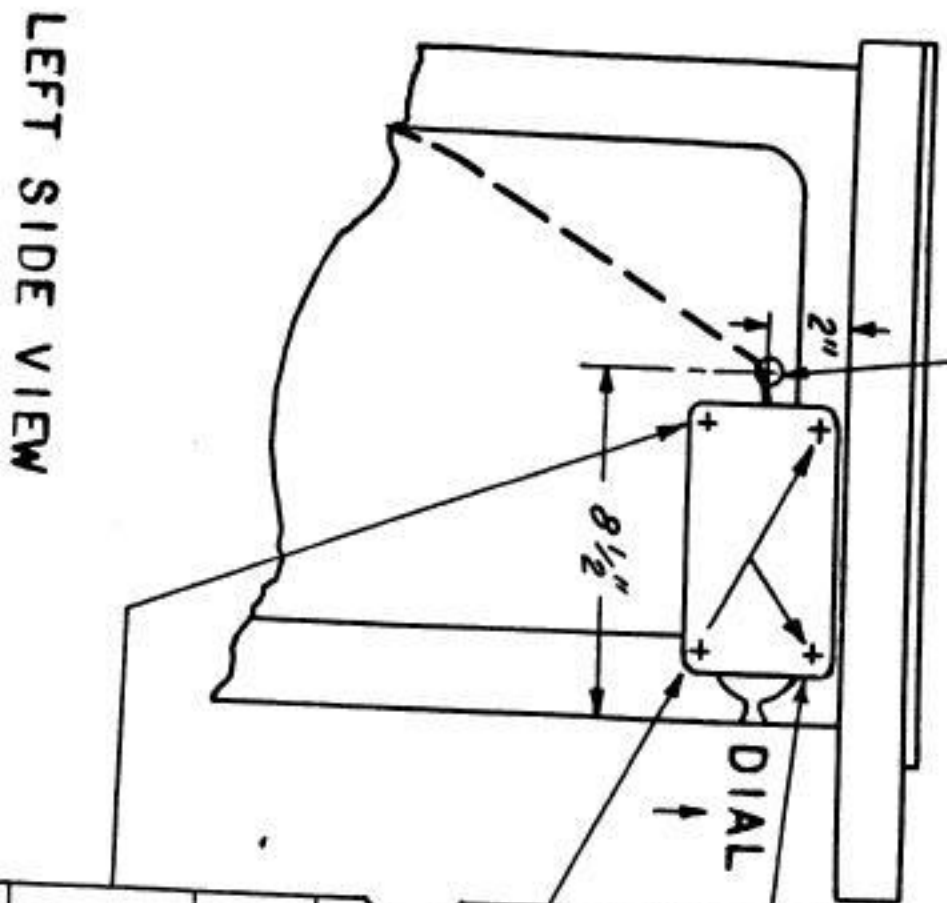
MOUNTING OF DIAL ON COVER



FRONT VIEW

SA7.07A 64C1 Calling Station Arrangement

#1352 RUBBER GROMMET (.53125" DRILL 17/32")
 OBTAIN FROM CANFIELD RUBBER CO.
 BRIGEPORT 5, CONN.



DIAL KEY
 (DISCARD WOOD SCREWS FURN.)

P-422006 #8-5/8" R.H. TYPE "B" SELF TAPPING
 SCREW (3 REQ.)
 .1285" DRILL (#30)

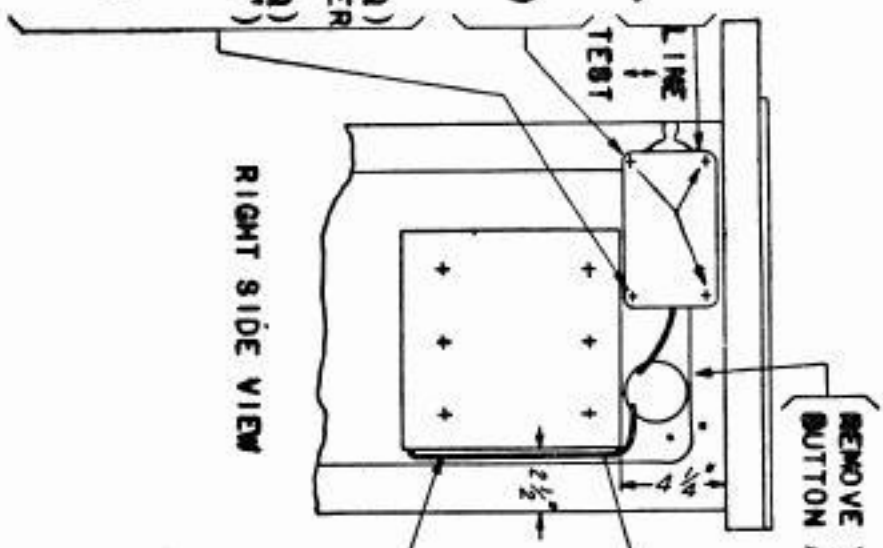
P-125085 .172" X 3/8" X .031" WASHER (2 REQ.)
 P-206568 .164" -32 X 3/4" R.H.M. SCREW (1 REQ.)
 (.1875" DRILL 3/16")
 P-206518 .164" -32 HEX NUT (1 REQ)
 P-221761 .169" X .325" X 3/64" LOCK WASHER (1 REQ)

SA7.07B 64C1 Calling Station Arrangement

- P-125085 WASHER (2 REQ)
- .172" X 3/8" X .031" USED AS SPACER
- P-206568 R.H. TYPE "B" SELF TAPPING SCREW (3 REQ)
- .164" X 3/2" R.H.M. SCREW (1 REQ)
- .1675" DRILL (3/16")
- P-206518 HEX NUT (1 REQ)
- .164" X .32 HEX NUT (1 REQ)
- P-221761 LOCK WASHER
- .169" X .325" X 3/64" (1 REQ)

- P-422006 R.H. TYPE "B" SELF TAPPING SCREW (3 REQ)
- #8 X 5/8" DRILL #30

DISCARD WOOD SCREWS FURN.



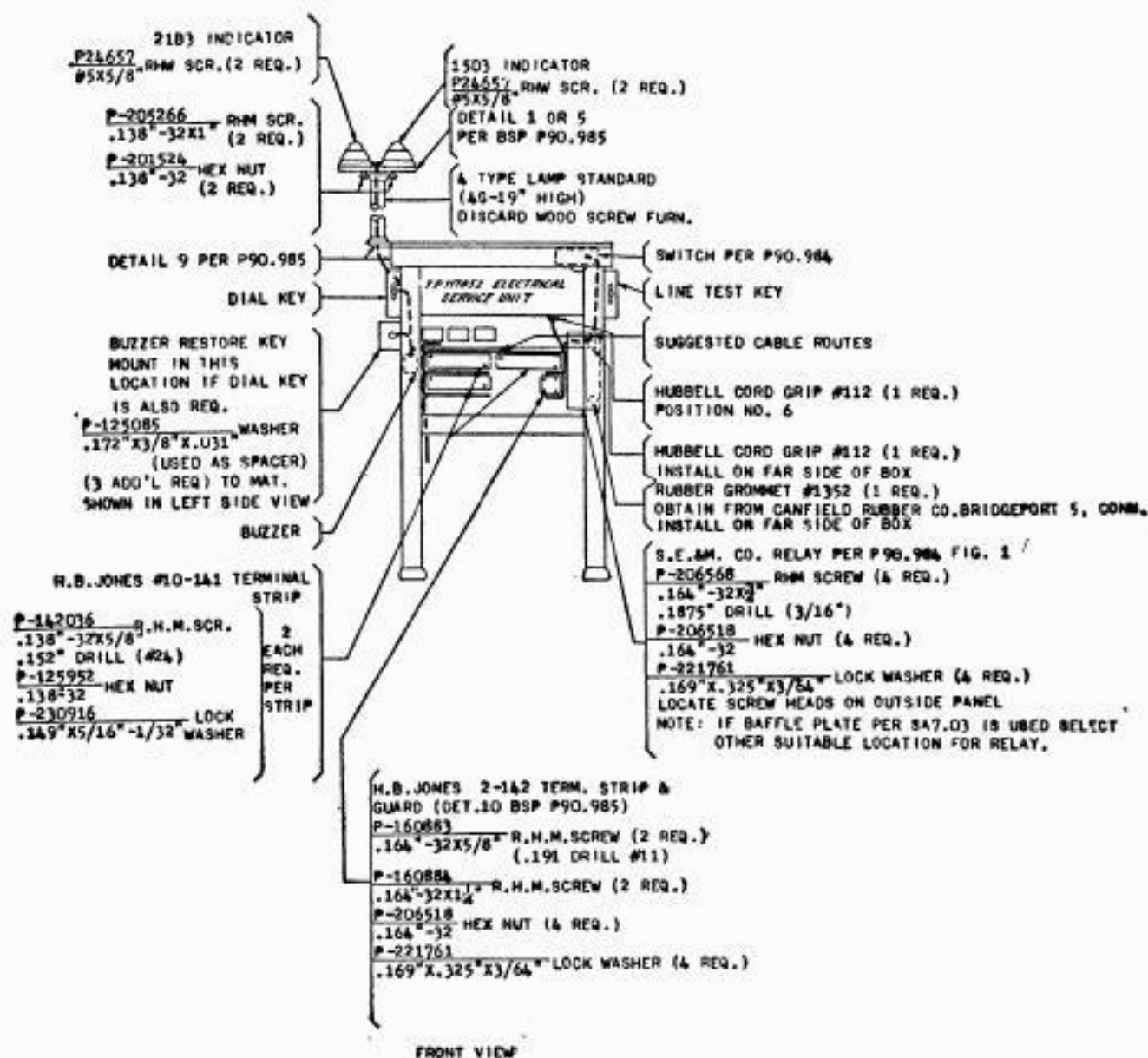
RIGHT SIDE VIEW

REMOVE TP119637**
BUTTON AND STORE

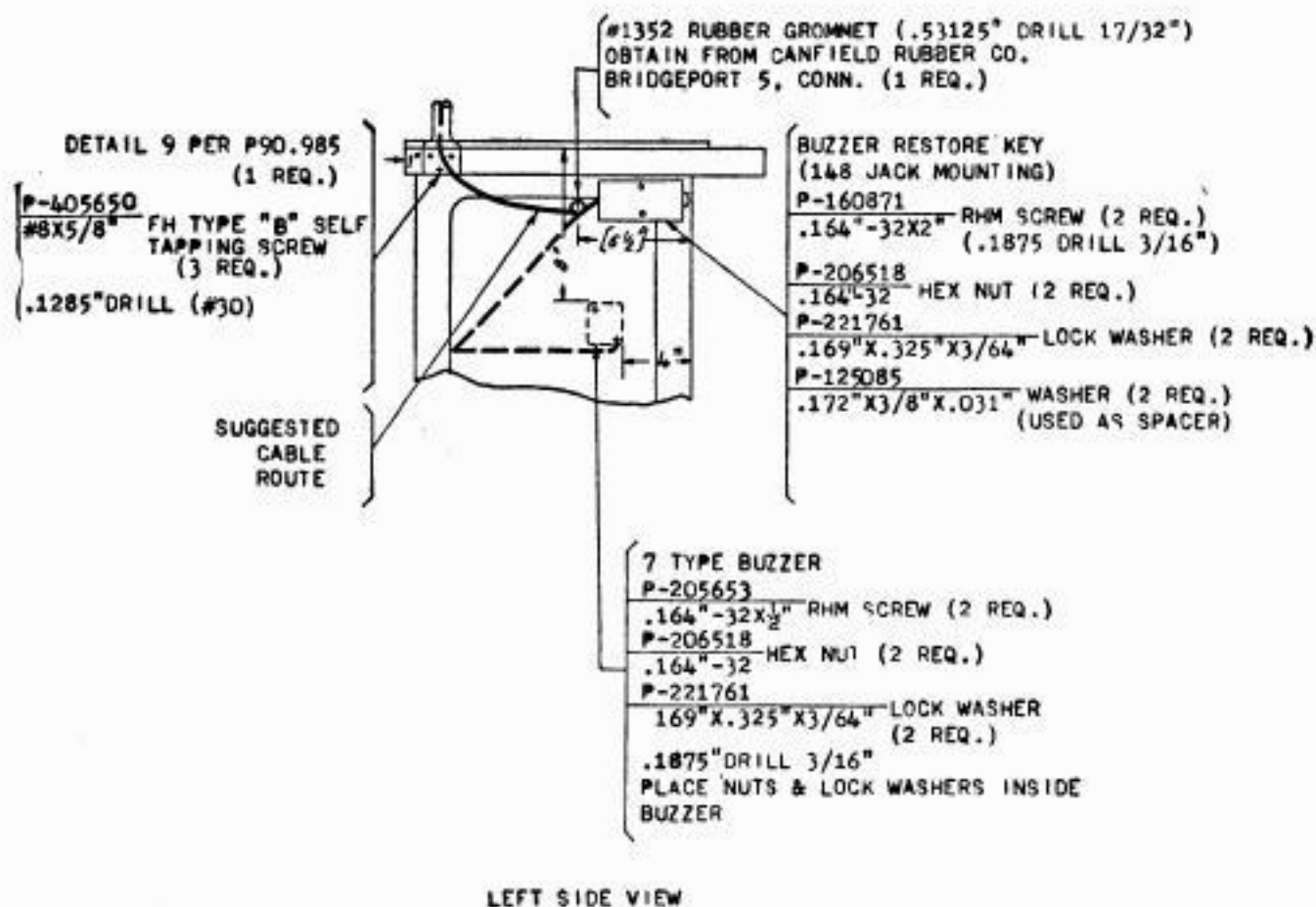
- 64C1 CALLING CIRCUIT EQUIPMENT (DISCARD WOOD SCREWS FURN.)
- P-405652 R.H. TYPE "Z" SELF TAPPING SCREW (6 REQ)
- #8 X 5/8" DRILL #30
- .1285" DRILL #30

SUGGESTED
CABLE
ROUTE

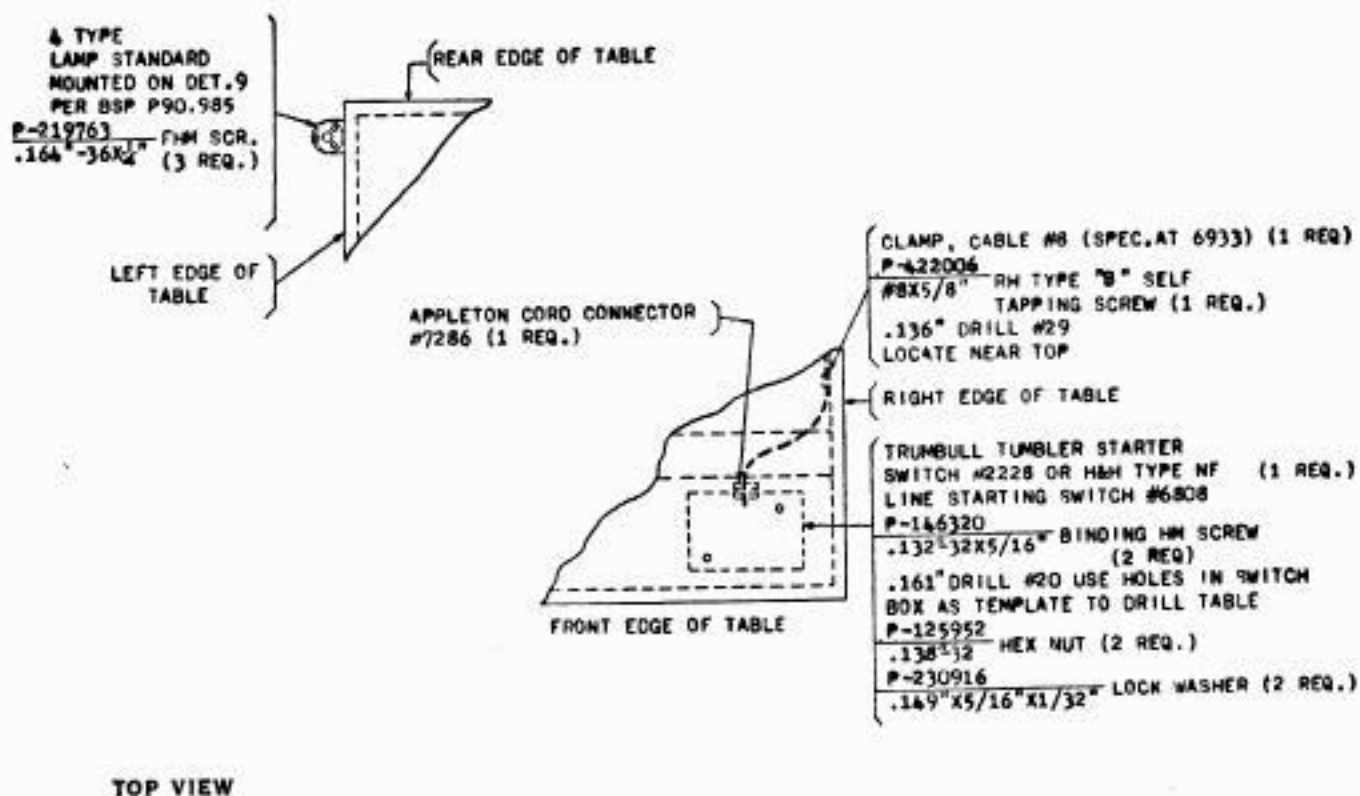
SA7.07C 64C1 Calling Station Arrangement



SA7.08A 64C1 Receiving Station Arrangement



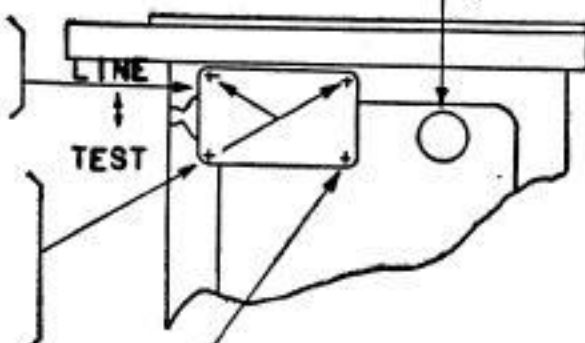
SA7.08B 64C1 Receiving Station Arrangement



SA7.08C 64C1 Receiving Station Arrangement

REMOVE TP119637**
BUTTON AND STORE

LINE TEST KEY
DISCARD WOOD SCR. FURN.



P-422006 RH TYPE "B" SELF
#8X5/8" TAPPING SCREW
(3 REQ)

.1285" DRILL (#30)

P-125085
.172X3/8"X.031" WASHER (2
REQ)
USED AS SPACER

P-206568
.164"-32X3/4" RHM SCREW
(1 REQ)

.1875" DRILL (3/16")

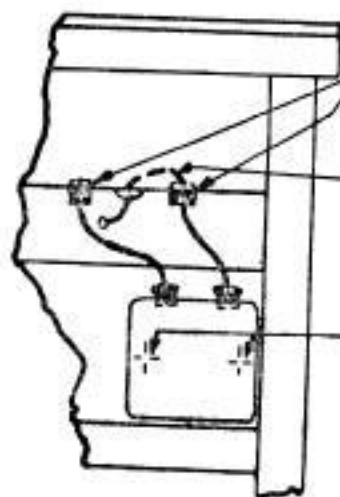
P-206518
.164"-32 HEX NUT (1 REQ.)

P-221761
.169"X.325"X3/64" LOCK
WASHER
(1 REQ.)

RIGHT SIDE VIEW

SA7.08D 64C1 Receiving Station Arrangement

CORD GRIP HUBBELL #112 (2 REQ)
MOUNT IN POS. 4 & 6 OF TP117582
ELECTRICAL SERVICE ASSEMBLY



GROUND LEAD FROM FILTER

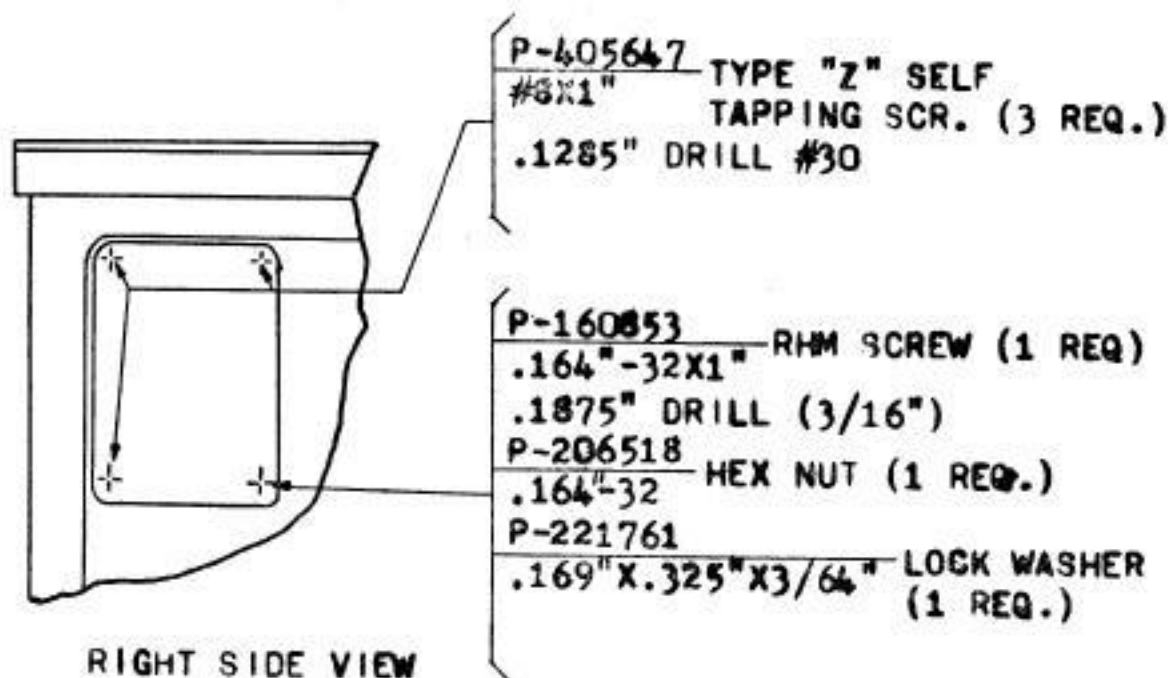
P-205653
.164"-32X1/2" RHM SCREW (2 REQ)
PLACE SCREW HEADS
ON REAR OF PANEL

.1875" DRILL (3/16")

P-206518
.164"-32 HEX NUT (2 REQ)

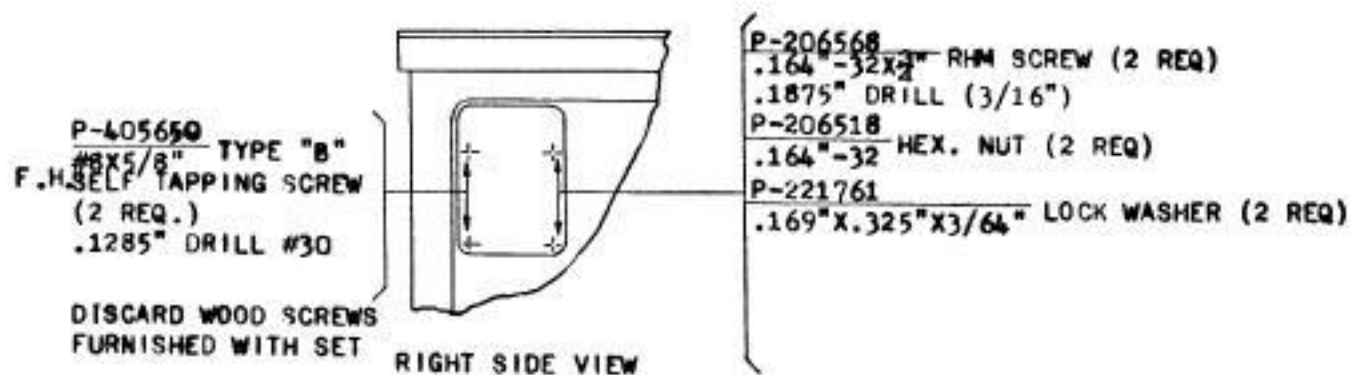
P-221761
.169"X.325"X3/64" LOCK WASHER (2 REQ)

SA7.09 Mounting of 122A Filter

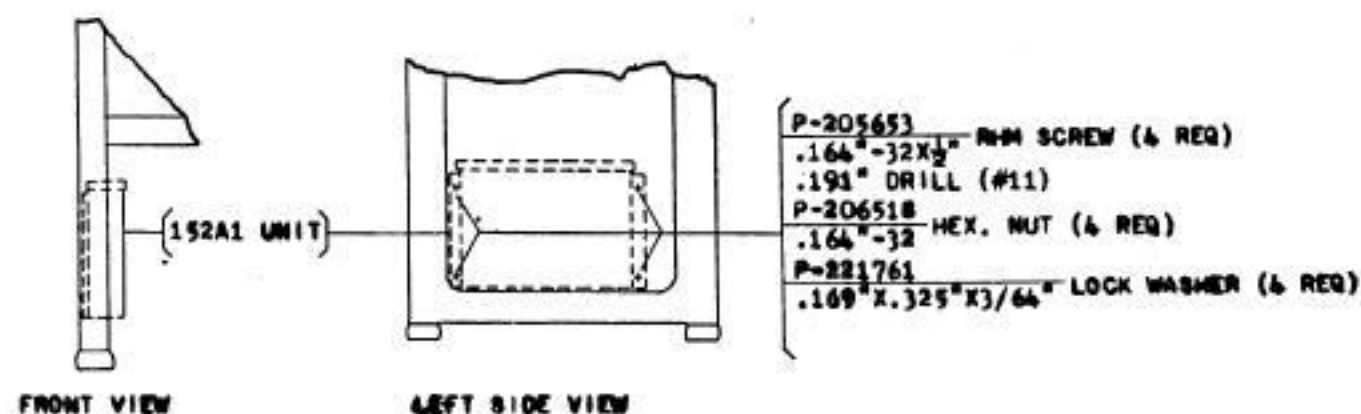


DISCARD WOOD SCREWS FURNISHED WITH SET

SA7.10 150A1, 150B1 or 150C1 Wave Shaping Set



SA7.11 150D1, 150E1 or 150F1 Wave Shaping Set



SA7.12 152A1-60 Cycle Induction Suppression Unit